

L 60260 TL  
L 60060 TL


EN WASHING MACHINE


USER MANUAL

## CONTENTS

4	SAFETY INFORMATION
6	PRODUCT DESCRIPTION
6	ACCESSORIES
7	CONTROL PANEL
10	WASHING PROGRAMMES
12	BEFORE FIRST USE
12	USING THE APPLIANCE
13	LOADING THE LAUNDRY
13	FILLING THE DETERGENT AND ADDITIVES
14	SETTING AND STARTING A PROGRAMME
15	AT THE END OF PROGRAMME
15	HELPFUL HINTS AND TIPS
17	CARE AND CLEANING
20	TROUBLESHOOTING
22	TECHNICAL INFORMATION
23	INSTALLATION

## ENVIRONMENT CONCERNS

Recycle the materials with the symbol . Put the packaging in applicable containers to recycle it.




Help protect the environment and human health and to recycle waste of electrical and electronic appliances. Do not dispose appliances marked with the symbol  with the household waste. Return the product to your local recycling facility or contact your municipal office.

## VISIT OUR WEBSITE FOR:

- Products
- Brochures
- User manuals
- Trouble shooter
- Service information

[www.aeg.com](http://www.aeg.com)

## LEGEND

-  Warning - Important Safety information.
-  General information and tips
-  Environmental information

Subject to change without notice.

## FOR PERFECT RESULTS

Thank you for choosing this AEG product. We have created it to give you impeccable performance for many years, with innovative technologies that help make life simpler – features you might not find on ordinary appliances. Please spend a few minutes reading to get the very best from it.

## ACCESSORIES AND CONSUMABLES

In the AEG webshop, you'll find everything you need to keep all your AEG appliances looking spotless and working perfectly. Along with a wide range of accessories designed and built to the high quality standards you would expect, from specialist cookware to cutlery baskets, from bottle holders to delicate laundry bags...



Visit the webshop at:  
[www.aeg.com/shop](http://www.aeg.com/shop)

## CUSTOMER CARE AND SERVICE

We recommend the use of original spare parts.

When contacting Service, ensure that you have the following data available. The information can be found on the rating plate.

Model \_\_\_\_\_

PNC \_\_\_\_\_

Serial Number \_\_\_\_\_



## SAFETY INFORMATION

Before the installation and use, read this manual carefully:

- For your safety and the safety of your property
- To help the environment
- For the correct operation of the appliance.

Always keep these instructions with the appliance also if you move or give it to a different person.

The manufacturer is not responsible if an incorrect installation and use causes damage.

### CHILDREN AND VULNERABLE PERSON SAFETY

- Do not let persons, children included, with reduced physical sensory, reduced mental functions or lack of experience and knowledge use the appliance. They must have supervision or instruction for the operation of the appliance by a person who is responsible for their safety.
- Keep all packaging away from children. There is the risk of suffocation or injury.
- Keep all detergents away from children.
- Keep children and pets away from the appliance when the door is open.
- Before you close the appliance door, make sure that children and pets are not into the drum.

### GENERAL SAFETY

- Do not use the appliance for professional use. The appliance is only for domestic use.
- Do not change the specifications of this appliance. There is the risk of injury and damage to the appliance.
- Do not put flammable products or items that are wet with flammable products in, near or on the appliance. Risk of explosion or fire.
- Obey the safety instructions on the detergent packaging to prevent burns to eyes, mouth and throat.
- Make sure that you remove all metal objects from the laundry. Hard and

sharp material can cause damage to the appliance.

- Do not touch the glass of the door while a programme operates. The glass can be hot (only for front-loading appliances).

### CARE AND CLEANING

- Deactivate the appliance and disconnect the mains plug from the mains socket.
- Do not use the appliance without the filters. Make sure that the installation of the filters is correct. An incorrect installation causes water leakages.

### INSTALLATION

- The appliance is heavy, be careful when you move it.
- Do not transport your appliance without the transit bolts, you can damage internal components and cause leakages or malfunctions.
- Do not install and connect a damaged appliance.
- Make sure to remove all packaging and transport bolts.
- Make sure that the mains plug is disconnected from the mains socket during installation.
- Only a qualified person must do the electrical installation, the plumbing and the installation of the appliance. This to prevent the risks of structural damage or injury.
- Do not install or use the appliance where the temperature is less than 0 °C.
- When you install the appliance on a carpet floor, make sure that there is air circulation between the appliance and the carpet. Adjust the feet to have the necessary space between the appliance and the carpet.

### Water connection

- Do not connect the appliance with old hoses already used. Only use new hoses.

- Make sure not to cause damage to the water hoses.
- Do not connect the appliance to new pipes or pipes not used for a long time. Let the water flow for some minutes, then connect the inlet hose.
- The first time you use the appliance, make sure that the water hoses and the couplings do not have leakages.

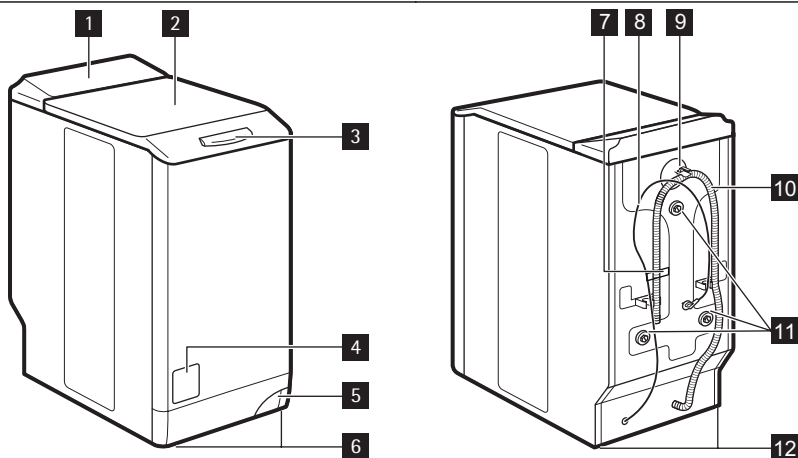
## Electrical connection

- Make sure that the appliance is earthed.
- Make sure that the electrical information on the rating plate agrees with the power supply.
- Always use a correctly installed shock-proof socket.
- Do not use multiple plugs and extension cables. There is a risk of fire.
- Do not replace or change the mains cable. Contact the service centre.
- Make sure not to cause damage to the mains plug and cable.
- Connect the mains plug to the mains socket only at the end of the installation. Make sure that there is access to the mains plug after the installation.
- Do not pull the mains cable to disconnect the appliance. Always pull the mains plug.

## DISCARD THE APPLIANCE

1. Disconnect the mains plug from the mains socket.
2. Cut off the mains cable and discard it.
3. Discard the door catch. This prevents children or pets to be closed in the appliance. There is a risk of suffocation (only for front-loading appliances).

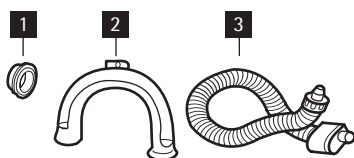
## PRODUCT DESCRIPTION



- 1** Control panel
- 2** Lid
- 3** Lid handle
- 4** Filter access door
- 5** Lever to move the appliance
- 6** Adjustable feet

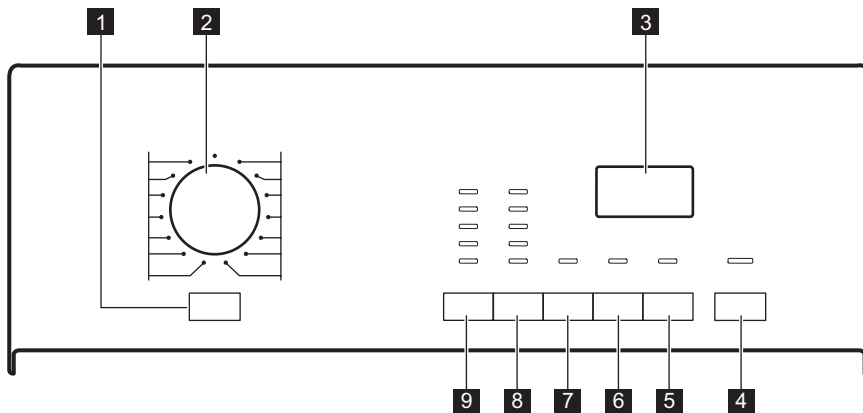
- 7** Rating plate
- 8** Mains cable
- 9** Water inlet valve
- 10** Water drain hose
- 11** Transit bolts
- 12** Feet for the appliance level


## ACCESSORIES



- 1 Plastic cap**  
To close the hole on the rear side of the cabinet, after the removal of the transit bolt.
- 2 Plastic hose guide**  
To connect the drain hose on the edge of a sink.
- 3 Anti-flood inlet hose**  
To prevent possible leakage.

# CONTROL PANEL



- 1** On/Off button
- 2** Programme knob
- 3** Display
- 4** Start/Pause button 
- 5** Delay start button 
- 6** Time saving button 
- 7** Extra rinse button 
- 8** Spin button 
- 9** Temperature button 

## ON OFF BUTTON **1**

Press this button to activate or deactivate the appliance. A tune sounds when the appliance is activated.

The AUTO Stand-by function automatically deactivates the appliance to decrease the energy consumption when:

- You do not use the appliance for 5 minutes before you press button **4**.
  - All settings are cancelled.

- Press button **1** to activate the appliance again.

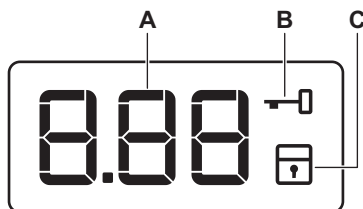
- Set again the washing programme and all possible options.

- After 5 minutes from the end of the washing programme. Refer to 'At the end of programme'.


## PROGRAMME KNOB **2**


Turn this knob to set a programme.


## DISPLAY **3**



**The display shows:**

- A**
- The programme time  
When the programme starts, the time decreases with steps of 1 minute.
  - The delay start  
When you press the delay start button, the display shows the delay start time.
  - Alarm codes  
If the appliance has a malfunction, the display shows alarm codes. Refer to 'Troubleshooting' chapter.
  - Err  
The display shows this message for some seconds if:
    - You set a function that is not applicable for the programme.
    - You change the programme while it operates.
 The indicator of the Start/Pause button **4** flashes.
  -   
When the programme is completed.

- B**  Door lock  
You cannot open the appliance door when the symbol is on.  
You can open the door only when the symbol goes off.
- If the programme is completed but the symbol stays on:**
- There is water in the drum.
  - The 'Rinse Hold' function is on.

- C**  The child lock symbol  
The symbol comes on when you activate this device.

**START/PAUSE BUTTON **4****

Press button **4** to start or interrupt a programme.

**DELAY START BUTTON **5****

Press button **5** to delay the start of a programme from 30 minutes to 20 hours.

**TIME SAVE BUTTON **6****

Press the button **6** to decrease the programme duration.

- Press one time to set 'Shortened duration' for items with daily soil.
- Press two times to set 'Extra Quick' for items with almost no soil.



Some programmes accept only one of the two functions.

**EXTRA RINSE BUTTON **7****

Press button **7** to add rinsing phases to a programme.

Use this function for persons allergic to detergents and in areas where the water is soft.

**SPIN BUTTON **8****

Press this button to:

- Decrease the maximum speed of the spin phase of the programme.
- Activate the 'Rinse Hold' function. Set this function to prevent fabric creases. The appliance does not drain the water when the programme is completed.



'Rinse Hold' function is on.



## TEMPERATURE BUTTON 9

Press button **9** to change the default temperature.

## CHILD LOCK FUNCTION

This function prevents children to play with the control panel.

- To activate the function, press button **6** and button **7** at the same time until the display shows the symbol **🔒**.
- To deactivate the function, press button **6** and button **7** at the same time until the symbol **🔒** goes off.

You can activate the function:











- Before you press the Start/Pause button **4**: the appliance cannot start.
- After you press the Start/Pause button **4**, all the buttons and the programme knob are deactivated.




## PERMANENT EXTRA RINSE FUNCTION

With this function you can keep the extra rinse function permanently on when you set a new programme.

- To activate the function press button **5** and button **6** at the same time until the indicator of button **7** is on.
- To deactivate the function press button **5** and button **6** at the same time until the indicator of button **7** is off.

## WASHING PROGRAMMES


Programme Temperature	Type of load max. weight of load	Cycle description	Functions
 Cottons 95° - Cold	White and coloured cotton with normal soil. max. 6 kg	Wash Rinses Long spin	SPIN REDUCTION RINSE HOLD EXTRA RINSE TIME SAVE <sup>1)</sup>
 Cottons + Pre- wash 95° - Cold	White and coloured cotton with heavy soil. max. 6 kg	Prewash Wash Rinses Long spin	SPIN REDUCTION RINSE HOLD EXTRA RINSE TIME SAVE <sup>1)</sup>
 Cottons + Stain 95° - 40°	White and coloured cotton with heavy soil. max. 6 kg	Wash Rinses Long spin	SPIN REDUCTION RINSE HOLD EXTRA RINSE TIME SAVE <sup>1)</sup>
 Synthetics 60° - Cold	Synthetic or mixed fabric items with nor- mal level of soil. max. 2,5 kg	Wash Rinses Short spin	SPIN REDUCTION RINSE HOLD EXTRA RINSE TIME SAVE <sup>1)</sup>
 Easy Iron <sup>2)</sup> 60° - Cold	Synthetic fabric items with normal soil. max. 1 kg	Wash Rinses Short spin	SPIN REDUCTION RINSE HOLD EXTRA RINSE TIME SAVE <sup>1)</sup>
 Delicates 40° - Cold	Delicate fabrics as acrylics, viscose, poly- ester items with nor- mal soil. max. 2,5 kg	Wash Rinses Short spin	SPIN REDUCTION RINSE HOLD EXTRA RINSE TIME SAVE <sup>1)</sup>
 Wool 40° - Cold	Machine washable wool. Hand washable wool and delicate fabrics with «hand washing» care sym- bol. max. 1 kg	Wash Rinses Short spin	SPIN REDUCTION RINSE HOLD
 Spin <sup>3)</sup>	All fabrics The maximum load of the laundry is related to the type of laundry.	Drainage of the water Spin phase at the maximum speed.	SPIN REDUCTION
 Drain	All fabrics The maximum load of the laundry is related to the type of laundry.	Drainage of the water	
 Rinse	All fabrics.	One rinse with ad- ditive spin phase	SPIN REDUCTION RINSE HOLD EXTRA RINSE <sup>4)</sup>

Programme Temperature	Type of load max. weight of load	Cycle description	Functions
 Curtains 40° - Cold	Set this programme to wash curtains. It adds automatically the prewash phase to clean the dust from the curtains. Do not put the detergent into the prewash compartment. max. 2,5 kg	Prewash Wash Rinses Short spin	SPIN REDUCTION RINSE HOLD EXTRA RINSE
 Jeans 60° - Cold	All items in jeans. Jersey made items with hi-tech materials. max.3 kg	Wash Rinses Short spin	SPIN REDUCTION RINSE HOLD EXTRA RINSE TIME SAVE <sup>1)</sup>
20 Min. - 3 kg 40° - 30°	Cotton and synthetic items with light soil or worn only one time.	Wash Rinses Short spin	SPIN REDUCTION
 ECO Economy <sup>5)</sup> 60° - 40°	White and fast coloured cotton with normal soil. max. 6 kg	Wash Rinses Long spin	SPIN REDUCTION RINSE HOLD EXTRA RINSE TIME SAVE <sup>1)</sup>

- 1) if you press the button 6 two times (Extra Quick duration), we recommend that you decrease the quantity of the load. It is possible to load fully the appliance, however the washing results are reduced.
- 2) The wash and spin phase is soft to prevent the creases of the laundry. The appliance adds some rinses.
- 3) The default phase of the spin speed is related to cotton items. Set the spin speed. Make sure that it agrees with the laundry.
- 4) Press EXTRA RINSE button to add rinses. With a low spin speed the appliance performs delicate rinses and a short spin.
- 5) Set this programme to have a good washing results and decrease the energy consumption. The time of the washing programme is extended. For cotton economy programmes you can set only the Extra Quick duration.

## CONSUMPTION VALUES

Programme <sup>1)</sup>	Energy consumption (KWh) <sup>2)</sup>	Water consumption (litre) <sup>2)</sup>
Cottons 90°C	2.00	55
Cottons + Prewash 90°C	2.20	65
Cottons + Stain 90°C	2.20	65
Synthetics 60°C	0.85	44
Easy iron 60°C	0.50	55
Delicates 40°C	0.50	48
Wool 40°C	0.50	50

Programme <sup>1)</sup>	Energy consumption (KWh) <sup>2)</sup>	Water consumption (litre) <sup>2)</sup>
Spin	0.05	/
Drain	0.01	/
Rinse	0.10	35
Curtains 40°C	0.60	60
Jeans 60°C	0.90	55
20 min. 3 kg 30°C	0.35	50
Economy 90°C	1.80	55
<b>Programmes for energy saving</b>		
Economy 60°C <sup>3)</sup>	1.02	52
Economy 40°C <sup>3)</sup>	0.70	55
 The cotton 60 °C economy and cotton 40 °C economy are the standard cotton programmes for normally soiled cotton laundry. They are suitable to clean normally soiled cotton laundry and they are the most efficient programmes in terms of combined energy and water consumption for washing that type of cotton laundry. The actual water temperature may differ from the declared cycle temperature.		

1) Refer to the display for the programme time.

2) The consumption information shown in this chart is indicative. It can vary depending on the quantity and the type of laundry, on the temperature of the water supply and on the ambient temperature.

3) This is the programme for test institutes. It agrees with EN60456.

## BEFORE FIRST USE

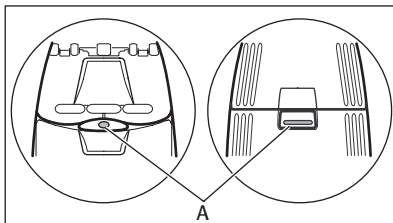
Put a small quantity of detergent in the main wash compartment of the detergent dispenser. Set and start a programme for

cotton at the highest temperature without laundry. This removes all possible dirt from the drum and the tub.

## USING THE APPLIANCE

1. Open the water tap.
2. Connect the mains plug to the mains socket.
3. Press button **1** to activate the appliance.
4. Put the laundry in the appliance.
5. Use the correct quantity of detergent and additives.
6. Set and start the correct programme for the type of laundry and soil.

## LOADING THE LAUNDRY



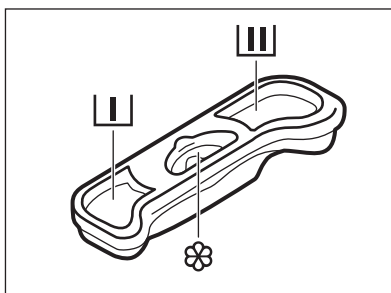
1. Open the lid of the appliance.

2. Push the button A (depending on model). The drum opens automatically.
3. Put the laundry. Make sure to not put too much laundry into the drum.
4. Close the drum and the lid of your washing machine.



Before you close the lid of your appliance, make sure that you close the drum correctly.

## FILLING THE DETERGENT AND ADDITIVES



	The detergent compartment for the prewash phase.
	The detergent compartment for the washing phase.
	Liquid additives compartment (fabric conditioner, starch). The mark <b>M</b> is the maximum level for the quantity liquid additives.

Always obey the instructions that you find on the packaging of the detergent products.

## SETTING AND STARTING A PROGRAMME

1. Turn the programme knob.
2. The indicator of button **4** flashes with red colour.
3. The indicators of the default temperature and spin speed come on. To change the temperature and/or the spin speed, press the related buttons.
4. Set the available functions and the delay start. When you press the relevant button, the indicator of the set function comes on or the display shows the related symbol.
5. Press button **4** to start the programme. The indicator of button **4** is on with red colour.

### INTERRUPT A PROGRAMME

1. Press button **4**. The indicator flashes.
2. Press button **4** again. The washing programme continues.

### CANCEL A PROGRAMME

1. Press button **1** to cancel the programme and to deactivate the appliance.
2. Press button **1** again to activate the appliance. Now, you can set a new washing programme.



The appliance does not drain the water.

### CHANGE A FUNCTION

You can change only some functions before they operate.

1. Press button **4**. The indicator flashes.
2. Change the function set.

### SET THE DELAY START

1. Press button **5** again and again until the display shows the number of minutes or hours.
2. Press button **4**, the appliance starts the countdown of the delay start.

When the countdown is completed, the programme starts automatically.



Before you press button **4** to start the appliance, you can cancel or change the set of the delay start.  
You cannot set the delay start with the **Steam** programme.

### CANCEL THE DELAY START

1. Press button **4**. The related indicator flashes.
2. Press button **5** again and again until the display shows **0'**.
3. Press button **4**. The programme starts.

### OPEN THE LID

While a programme or the delay start operates, the lid is locked.

#### To open the lid:

1. Press button **4**. You can open the lid 2 minutes after the appliance stops. The door lock symbol in the display goes off.
2. Open the lid.
3. Close the lid and press button **4**. The programme or the delay start continues.






If the temperature and level of the water in the drum are too high, the door lock symbol stays on and you cannot open the lid. If necessary, do the following procedure to open the lid.

1. Deactivate the appliance.
2. Wait for some minutes.
3. Make sure that there is no water in the drum.



If you deactivate the appliance, it is necessary to set the programme again.

## AT THE END OF PROGRAMME

- The appliance stops automatically.
- The acoustic signals operate.
- In the display  comes on.
- The indicator of the Start/Pause button  goes off.
- You can open the lid 2 minutes after the appliance stops. The door lock symbol goes off.
- Press button  to deactivate the appliance. After five minutes from the end of the programme, the AUTO OFF function automatically deactivates the appliance.



When you activate the appliance again, the display shows the end of the last set programme. Turn the programme knob to set a new cycle.


- Remove the laundry from the appliance. Make sure that the drum is empty.
- Keep the door ajar, to prevent mildew and odours.

- Close the water tap.

### The washing programme is completed, but the 'Rinse Hold' function is on:

- The drum turns regularly to prevent the creases in the laundry.
- The door stays locked.
- You must drain the water to open the door.

### To drain the water:

1. If necessary, decrease the spin speed.
2. Press the Start/Pause button . The appliance drains the water and spins.
3. When the programme is completed and the door lock symbol goes off, you can open the door
4. Deactivate the appliance.



The appliance drains and spins automatically after approximately 18 hours.

## HELPFUL HINTS AND TIPS

### THE LAUNDRY LOAD

- Divide the laundry in: white, coloured, synthetics, delicates and wool.
- Obey the washing instructions that are on the laundry care labels.
- Do not wash together white and coloured items.
- Some coloured items can discolour with the first wash. We recommend that you wash them separately for the first times.
- Button up pillowcases, close zippers, hooks and poppers. Tie up belts.
- Empty the pockets and unfold the items.
- Turn inside out multilayered fabrics, wool and items with painted illustrations.
- Remove hard stains.
- Wash with a special detergent heavy soil stains.
- Be careful with the curtains. Remove the hooks or put the curtains in a washing bag or pillowcase.

- Do not wash in the appliance :
  - Laundry without hems or with cuts
  - Underwired bras.
  - Use a washing bag to wash small items.
- A very small load can cause balance problems with the spin phase. If this occurs, adjust manually the items in the tub and start the spin phase again.

### STUBBORN STAINS

For some stains, water and detergent is not sufficient.

We recommend that you remove these stains before you put the items in the appliance.

Special stain removers are available. Use the special stain remover that is applicable to the type of stain and fabric.

### DETERGENTS AND ADDITIVES

- Only use detergents and additives specially made for washing machines.

- Do not mix different types of detergents.
- To help the environment, do not use more than the correct quantity of detergent.
- Obey the instructions that you find on the on packaging of these products.
- Use the correct products for the type and colour of the fabric, the programme temperature and the level of soil.
- If you use liquid detergents, do not set the prewash phase.
- If your appliance has not the detergent dispenser with the flap device, add the liquid detergents with a dosing ball.
- If necessary, use a stain remover when you set a programme with a low temperature.
- To use the correct quantity of the detergent, check the water hardness of your domestic system

## WATER HARDNESS

If the water hardness in your area is high or moderate, we recommend that you use a water softener for washing machines. In areas where the water hardness is soft it is not necessary to use a water softener. To know the water hardness in your area, contact your local water authority. Obey the instructions that you find on the packaging of the products. Equivalent scales measure the water hardness:

- German degrees (°dH).
- French degrees (°TH).
- mmol/l (millimol for each litre - international unit for the hardness of water).
- Clarke degrees.

## ECOLOGICAL HINTS

To help the environment, use less water and energy, obey these instructions:

- Set a programme without the prewash phase to wash laundry with normal soil.
- Always start a washing programme with the maximum load of laundry.

### Water hardness table

Level	Type	Water hardness			
		°dH	°T.H.	mmol/l	Clarke
1	soft	0-7	0-15	0-1.5	0-9
2	medium	8-14	16-25	1.6-2.5	10-16
3	hard	15-21	26-37	2.6-3.7	17-25
4	very hard	> 21	> 37	>3.7	>25



## CARE AND CLEANING



### WARNING!

Disconnect the appliance from the mains supply before you clean it.

### DESCALING

The water we use contains limescale. If it becomes necessary, use a water softener to remove limescales.

Use a special product made for washing machines. Obey the instructions that you find on the packaging of the manufacturer.

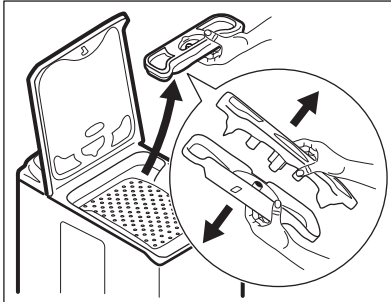
Do this separately from the laundry wash.

### EXTERNAL CLEANING

Clean the appliance only with soap and warm water. Fully dry all the surfaces.

### DETERGENT DISPENSER

To clean the dispenser:



### CAUTION!

Do not use alcohol, solvents or chemical products.

### MAINTENANCE WASH

With the low temperature programmes it is possible that some detergent stays in the drum. Make regularly a maintenance wash. To do this:

- Empty the laundry from the drum.
- Set the hottest cotton wash programme
- Use a correct quantity of powder detergent with biological properties.

After each wash, keep the door open for a while to prevent mould and to let unpleasant smells go out.

1. Remove the detergent dispenser and disconnect the two parts.
2. Clean all the parts with water.
3. Assemble the two parts of the detergent dispenser.
4. Put back the detergent dispenser.

### DRAIN FILTER



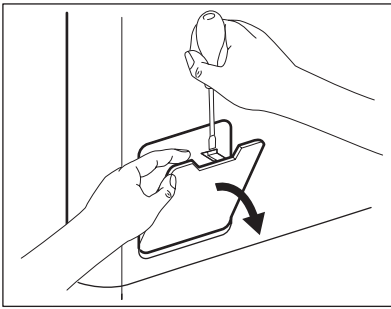
Regularly examine the drain filter and make sure that it is clean.



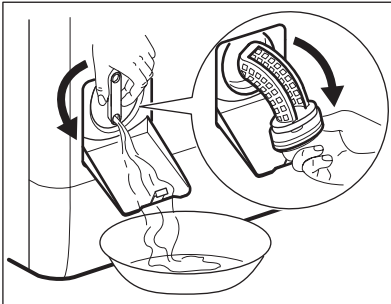
### WARNING!

- Disconnect the mains plug from the mains socket.
- Do not remove the filter while the appliance operates. Do not clean the drain filter if the water in the appliance is hot. The water must be cold before you clean the drain filter.

To clean the drain filter:



1. Open the drain filter door.



2. Put a container below the recess of the drain filter to collect the water that flows out. Turn the filter until it is vertical.
3. Turn the filter fully and remove it.
4. Remove fluff and objects.
5. Clean the filter with water.
6. Put it back and screw it in.
7. Make sure that you tighten correctly the filter to prevent leakages.
8. Close the drain filter door.

---

## THE INLET HOSE FILTER AND THE VALVE FILTER

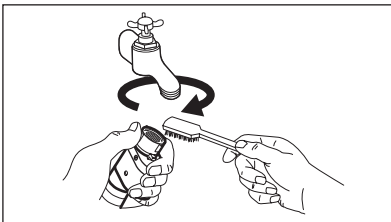


### WARNING!

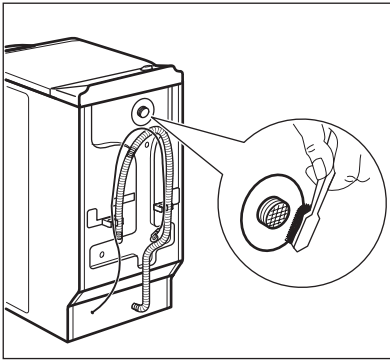
- Disconnect the mains plug from the mains socket.

---

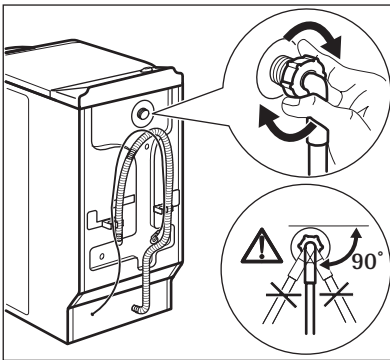
### To clean the water inlet filters:



1. Close the water tap.
2. Remove the water inlet hose from the water tap.
3. Clean the filter in the inlet hose with a stiff brush.



4. Remove the inlet hose behind the appliance.
5. Clean the filter in the valve with a stiff brush or a towel.



6. Install again the inlet hose. Make sure that the couplings are tight to prevent leakages.
7. Open the water tap.

## EMERGENCY DRAIN

Because of a malfunction, the appliance cannot drain the water.

If this occurs, do steps (1) through (3) of 'To clean the drain filter'.

If necessary, clean the filter.

Put the drainage duct back and close the drain filter flap.

## FROST PRECAUTIONS

If the appliance is installed in an area where the temperature can be less than 0 °C, remove the remaining water from the inlet hose and the drain pump.

1. Close the water tap and disconnect the inlet hose.
2. Put the end of the inlet hose in a container and let the water flow out of the hose.
3. Do the Drain programme and let it operate until the end of the cycle.
4. Turn the programme knob to Stop to disconnect the appliance from the power supply.

5. Disconnect the appliance.



### **WARNING!**

Make sure that the temperature is more than 0 °C before you use the appliance again.

The manufacturer is not responsible for damages caused by low temperatures.

## TROUBLESHOOTING

The start of the appliance does not occur or it stops during operation. First try to find a solution to the problem (refer to the table). If not, contact the service centre.

**With some problems, the acoustic signals operate and the display shows an alarm code:**

- **E10** - The appliance does not fill with water.

- **E20** - The appliance does not drain the water.
- **E40** - The appliance door is open or not closed correctly.
- **EFO** - The anti-flood device is on.



### WARNING!

Deactivate the appliance before you do the checks.

Problem	Possible cause	Possible solution
The appliance does not fill with water.	The water tap is closed.	Open the water tap.
	The water inlet hose is damaged.	Make sure that the water inlet hose has no damages.
	The filters in the water inlet hose is blocked .	Clean the filters. Refer to 'Care and cleaning'.
	The water tap is blocked or is furred with lime-scale.	Clean the water tap.
	The connection of the water inlet hose is not correct.	Make sure that the connection is correct.
	The water pressure is too low.	Contact your local water authority.
	The appliance does not drain the water.	The water drain hose is damaged.
The filter of the drain pump is blocked.		Clean the filter of the drain pump. Refer to 'Care and cleaning'.
The connection of the water drain hose is not correct.		Make sure that the connection is correct.
A washing programme without the drain phase is set.		Set the drain programme.
The function Rinse & Hold is on.		Set the drain programme.
The appliance door is open or not closed correctly.		Close the door correctly.

Problem	Possible cause	Possible solution
The anti-flood device is on.		<ul style="list-style-type: none"> <li>• Disconnect the appliance.</li> <li>• Close the water tap.</li> <li>• Contact the service centre.</li> </ul>
The spin phase does not operate.	The spin phase is off.	Set the spin programme.
	The filter of the drain pump is blocked.	Clean the filter of the drain pump. Refer to 'Care and cleaning'.
	Balance problems with the laundry load.	Adjust manually the items in the tub and start the spin phase again.
The programme does not start.	The mains plug is not connected in the mains socket.	Put in the mains plug.
	Blow out fuse in the household fuse box.	Replace the fuse.
	You did not press button <b>4</b> .	Press button <b>4</b> .
	The delay start is set.	To start immediately the programme, cancel the delay start.
	The Child Lock function is activated.	Deactivate the Child Lock function.
There is water on the floor.	Leakages from the couplings of the water hoses.	Make sure that the couplings are tight.
	Leakages from the drain pump.	Make sure that the drain pump filter is tight.
	The water drain hose is damaged.	Make sure that the water inlet hose has no damages.
You cannot open the appliance door.	The washing programme is in operation.	Let the washing programme end.
	There is water in the drum.	Set the drain or the spin programme.
The appliance makes an unusual noise.	Incorrect level of the appliance.	Adjust the level of the appliance. Refer to 'Installation'.
	You did not remove the packaging and/or the transit bolts.	Remove the packaging and/or the transit bolts. Refer to 'Installation'.
	The load is very small.	Add more laundry in the drum.

Problem	Possible cause	Possible solution
The appliance fills with water and drain immediately.	The end of the drain hose is too low.	Make sure that the drain hose is in the correct position.
The washing results are not satisfactory.	The detergent you used was not sufficient or correct.	Increase the detergent quantity or use a different one.
	You did not remove the stubborn stains before you wash the laundry.	Use special products to remove the stubborn stains.
	Incorrect temperature was set.	Make sure that you set the correct temperature.
	Too much laundry load.	Decrease the laundry load.

After the check, activate the appliance. The programme continues from the point of interruption. If the problem occurs again, contact the service centre.

If the display shows other alarm codes, contact the service centre.

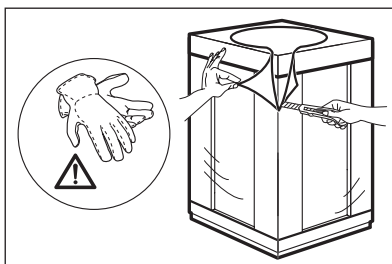
## TECHNICAL INFORMATION

Dimensions	Width / Height / Depth	400 / 850 / 600 mm
Electrical connection:	Voltage	230 V
	Overall power	2200 W
	Fuse	10 A
	Frequency	50 Hz
Water supply pressure	Minimum	0,5 bar (0,05 MPa)
	Maximum	8 bar (0,8 MPa)
Water supply <sup>1)</sup>		Cold water
Maximum load	Cotton	6 kg
Spin speed	Maximum	1200 rpm (L60260TL)
		1000 rpm (L60060TL)

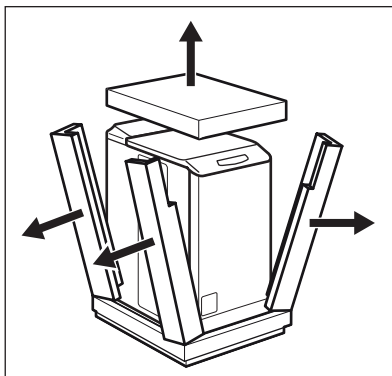
<sup>1)</sup> Connect the water inlet hose to a water tap with a 3/4" thread.

# INSTALLATION

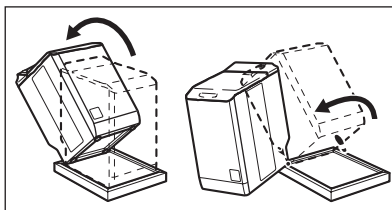
## UNPACKING



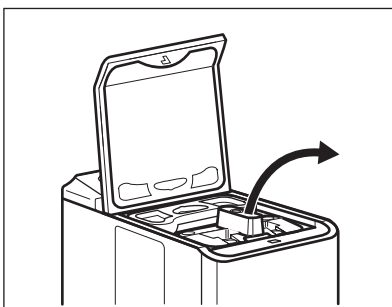
1. Remove the external film. If necessary, use a cutter.



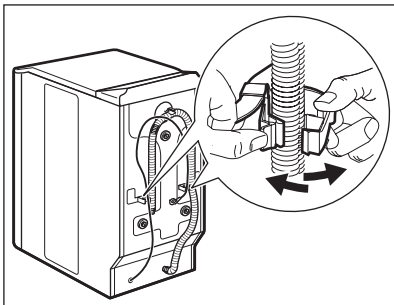
2. Remove the polystyrene packaging materials.



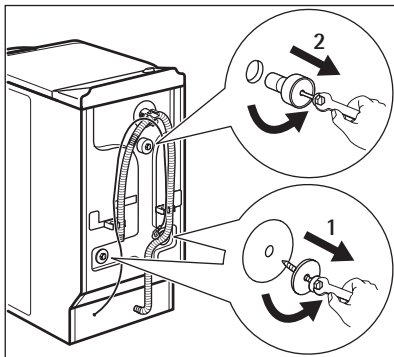
3. Tilt the appliance backwards.
4. Turn the appliance on one of the corners to remove the protection from the bottom.



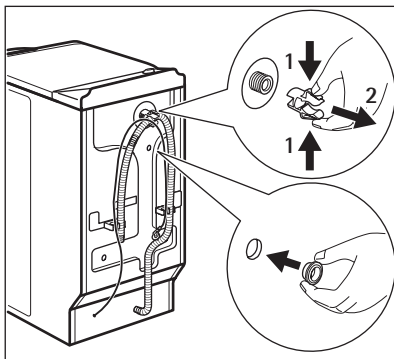
5. Open the lid.
6. Remove the polystyrene piece.
7. Open the drum and remove all the items.



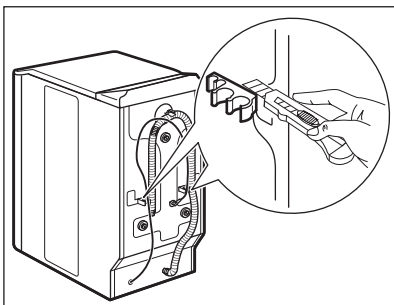
8. Remove the power supply cable and the drain hose from the hose holders.



9. Remove the three bolts.



10. Remove the plastic piece.  
11. Replace the plastic spacer with the plastic cap. You can find this cap in the user manual bag.



12. To install the appliance at the same level as neighbouring furniture, cut these plastic pieces.

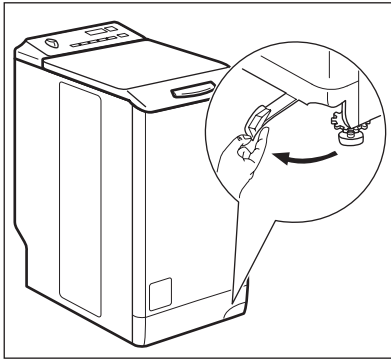


**WARNING!**

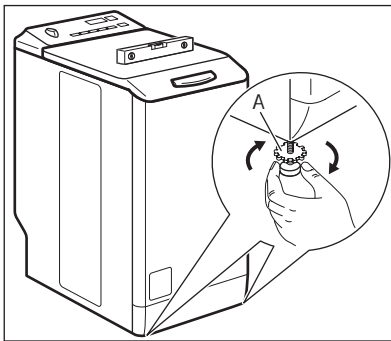
Remove all the packaging and the transit bolts before you install the appliance.



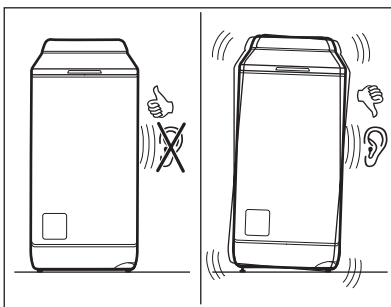
We recommend that you keep the packaging and the transit bolts for when you move the appliance.

**POSITIONING AND LEVELLING**

1. Pull the lever from right to left.
2. When the position of the appliance is right, put back the lever.



3. Install the appliance on a flat hard floor.
4. Make sure that carpets do not stop the air circulation below the appliance.
5. Make sure that the appliance does not touch the wall or other units.
6. Loosen the feet to adjust the level. Measure with a spirit level. Tighten the pieces A.
7. A correct adjustment of the appliance level prevents the vibration, noise and the movement of the appliance when in operation.

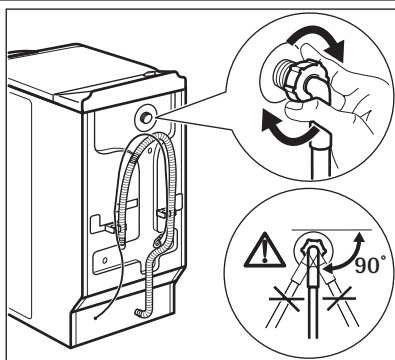


- The appliance must be level and stable.

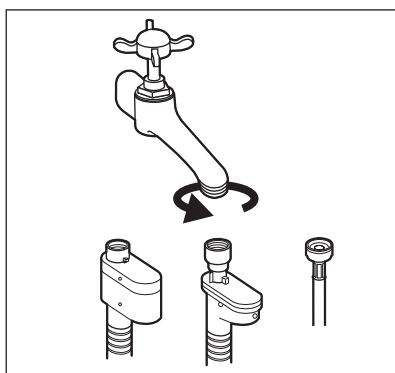
**CAUTION!**

Do not put cardboard, wood or equivalent materials below the appliance feet to adjust the level.

## THE INLET HOSE



1. Connect the hose to the appliance. Loose the ring nut to set it in the correct position.



2. Connect the water inlet hose to the cold water tap with 3/4 thread.



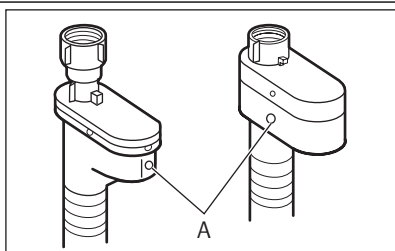
### CAUTION!

Make sure that there are no leaks from the couplings.



Do not use an extension hose if the inlet hose is too short. Contact the service centre for the replacement of the inlet hose.

## Water-stop device

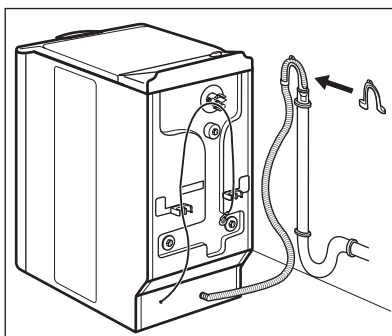
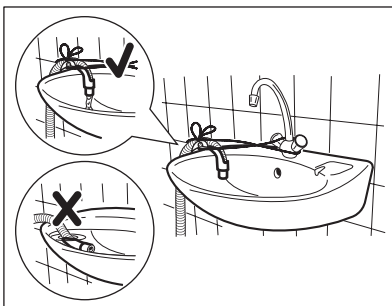
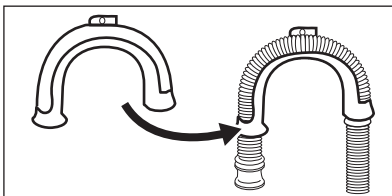


The inlet hose has a water stop device. This device prevents water leaks in the hose because of its natural ageing. The red sector in the window «A» shows this fault. If this occur, close the water tap and contact the service centre to replace the hose.

## WATER DRAINAGE

There are different procedures to connect the drain hose:

### With the plastic hose guide.

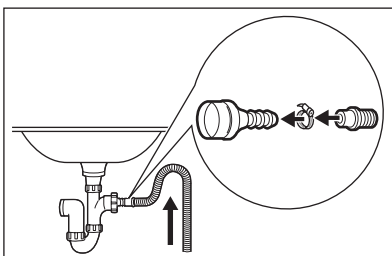


- On the edge of a sink.
- Make sure that the plastic guide cannot move when the appliance drains. Attach the guide to the water tap or the wall.

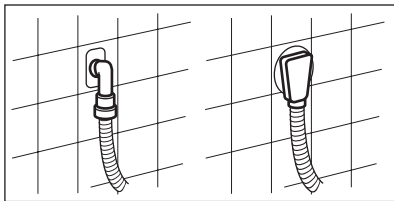
- To a stand pipe with vent-hole.

Refer to the illustration. Directly into a drain pipe at a height of not less than 70 cm and not more than 100 cm. The end of the drain hose must always be ventilated, i.e. the inner diameter of the drainpipe must be larger than the external diameter of the drain hose.

### Without the plastic hose guide.



- To a sink spigot.
- Refer to the illustration. Put the drain hose in the spigot and tighten it with a clip. Make sure that the drain hose makes a loop to prevent that remaining particles go in the appliance from the sink.



- Directly to a built-in drain pipe in the room wall and tighten it with a clip.



You can extend the drain hose to maximum 400 cm. Contact the service centre for the other drain hose and the extension.











## Free Manuals Download Website

<http://myh66.com>

<http://usermanuals.us>

<http://www.somanuals.com>

<http://www.4manuals.cc>

<http://www.manual-lib.com>

<http://www.404manual.com>

<http://www.luxmanual.com>

<http://aubethermostatmanual.com>

Golf course search by state

<http://golfingnear.com>

Email search by domain

<http://emailbydomain.com>

Auto manuals search

<http://auto.somanuals.com>

TV manuals search

<http://tv.somanuals.com>