

Dear customer,

Please read these operating instructions carefully and pay particular attention to the safety notes indicated in the first pages. We recommend that you keep this instruction booklet for future reference and pass it on to any future owners.



The warning triangle and/or the key words (Warning!, Caution!) emphasize information that is particularly important for your safety or correct functioning of the appliance.



This symbol guides you, step by step, in the operation of the appliance.



The information marked with this symbol provides additional instructions and practical tips on the use of the appliance.



Tips and information about economical and ecological use of the machine are marked with the clover symbol.

Should any problems arise, this booklet provides instructions on how to solve them by yourself; see section "Something not working?".

If this information is not sufficient, please contact our nearest Service centre (address and telephone numbers are indicated on the enclosed leaflet).

Printed on recycled paper.
People who think ecologically, act accordingly...

Contents

Safety instructions	47
Discarding	49
Tips for environmental protection	50
Main features of your washing machine	51
Description of the appliance	52
Control panel	53
A Mains on light	53
B ON/OFF button (AÇMA KAPAMA)	53
Buttons and corresponding functions	53
C DELAY START button (GECİKTİRME TUŞU)	54
D Display	54
E QUICK WASH button (KISA YIKAMA)	55
F PREWASH (ÖN YIKAMA)	55
G EXTRA RINSE button (EK DURULAMA)	55
H Anticrease button (stop with water in drum) (SUDA BEKLETME)	55
J START/PAUSE button (START ARA VERME)	56
K SPIN SPEED button (SİKMA)	56
L Programme phase indicator	57
M Programme selector	57
Cancelling a programme	57
Modification of a programme which is running	57
Opening the door after the programme has started	58
Detergent and additive dispenser drawer	59
Before the first wash	59
Preparing the wash cycle	60
Sorting out and preparing the laundry	60
Weight of laundry	61
Types of fabric and care labels	61
Detergents and additives	63
Which detergent and additive?	63
How much detergent?	63
Liquid detergent	63
Adding a water softener	63
Information on water hardness	63

How to wash	64
Load the laundry	64
Add detergent and additive	64
Switching the machine on	64
Selection of the desired wash programme	65
Selection of the spin speed	65
Selection of the PREWASH (ÖN YIKAMA) or QUICK WASH (KISA YIKAMA) option, depending on the degree of soil of the laundry and on the type of fabric	65
Selection of the EXTRA RINSE (EK DURULAMA) or ANTICREASE (SUDA BEKLETME) option	65
Selection of the DELAY START option (GECİKTİRME TUŞU)	66
Starting the programme	66
At the end of the programme	67
Programme charts	68-69
Cleaning and maintenance	70
After each wash	70
Periodical cleaning	70
Bodywork	70
Detergent dispenser drawer	70
Drain filter	71
Water inlet filter	71
Emergency emptying out	72
Frost precautions	72
Something not working?	73
Troubleshooting	73
Unsatisfactory washing results	77
Technical data	78
Service	79
Instructions for installation and electrical connection	80
Safety instructions	80
Dimensions of the appliance	81
Front view and side view	81
Rear view	81
Installation	82
Unpacking	82
Positioning	83
Levelling	83
Water inlet	84
Water drainage	84
Electrical connection	85
Permanent connection	85



Safety instructions

The safety of AEG appliances complies with the industry standards and with legal requirements on the safety of appliances. However, as manufacturers, we feel it is our duty to provide the following safety notes.

General notes

- Repairs to the machine must be carried out only by qualified personnel. Repairs carried out by inexperienced persons could cause serious danger. Contact our Service Centre or your AEG dealer.
- Never start the machine if the electrical supply cable is damaged or the control panel or worktop are so damaged that inner components can be reached.
- Unplug the appliance before carrying out any cleaning or maintenance operations.
- Never pull the power supply cable to remove the plug from the socket; always take hold of the plug itself.
- Never spray the washing machine with a jet of water. Danger of electrocution!
- During high temperature wash programmes the door glass may get hot. Do not touch it!
- Let the water cool down before carrying out emergency emptying or before opening the door in an emergency.
- Small animals can gnaw electric wires and water hoses causing electrocution hazard and damage due to water leaks.

Positioning, connection, starting up

- Follow the **instructions for positioning and connection**.
- Carry out a first wash without laundry (COTTONS 60, with half the amount of detergent) in order to remove any manufacturing residue from the tub and the drum.
- Should the machine be purchased in winter, when temperatures can be below 0°, leave the appliance for 24 hours at ambient temperature before starting it.

Child safety

- Children are often not aware of how dangerous electrical appliances can be. When the machine is working, they should be carefully supervised and not be allowed to play with the appliance - there is a risk that they could become trapped inside.
- The packaging components (e.g. plastic film, polystyrene) can be dangerous to children - danger of suffocation! Keep them out of children's reach.
- Make sure that children or pets do not climb into the drum.
- When the appliance is disposed of, pull the plug out of the socket, cut off the electrical supply cable and destroy the plug with the remaining cable. Disable the door catch in order to prevent children from becoming trapped inside while playing.

Proper use

- This appliance is designed for domestic use only. If the machine is used for any other purposes or is not used correctly, the manufacturer accepts no responsibility for any possible damage that might occur.
- For safety reasons, the appliance must not be modified.
- Use only detergents suitable for washing machines and follow the manufacturer's instructions.
- Laundry must not have any trace of inflammable solvents; be particularly careful when washing items that have been previously dry cleaned.
- Dyes and bleaching agents may only be used if specifically permitted by the manufacturer of these products. We cannot be held responsible for any damage.
- Use only water supplied from the rising mains. Rainwater or industrial water may only be used if the requirements of standards DIN 1986 and DIN 1988 are complied with.



Discarding

Packaging materials

The materials marked with the symbol ♻️ are recyclable.

This means that they can be recycled by disposing of them properly in appropriate collection containers.

For information regarding waste collection points, please contact your local authorities.

>PE<=polyethylene

>PS<=polystyrene

>PP<=polypropylene

Machine

To dispose of the appliance correctly, contact the local body responsible for collection.



Tips for environmental protection

- Lightly soiled laundry may be washed without prewashing in order to save detergent, water and time (the environment is protected too!).
- The machine works more economically if it is fully loaded.
- When small loads are washed, use only half to two thirds of the recommended amount of detergent.
- With adequate pre-treatment, stains and limited soiling can be removed; the laundry can then be washed at a lower temperature.
- Try not to use fabric softeners. If the laundry is machine dried, it will remain soft even without using fabric softeners.
- If the water has a medium or high degree of hardness (starting from degree of hardness II, see "Detergents and additives") water softeners must be added.
- The amount of detergent can then be adjusted to degree of hardness I (= soft).

Main features of your washing machine

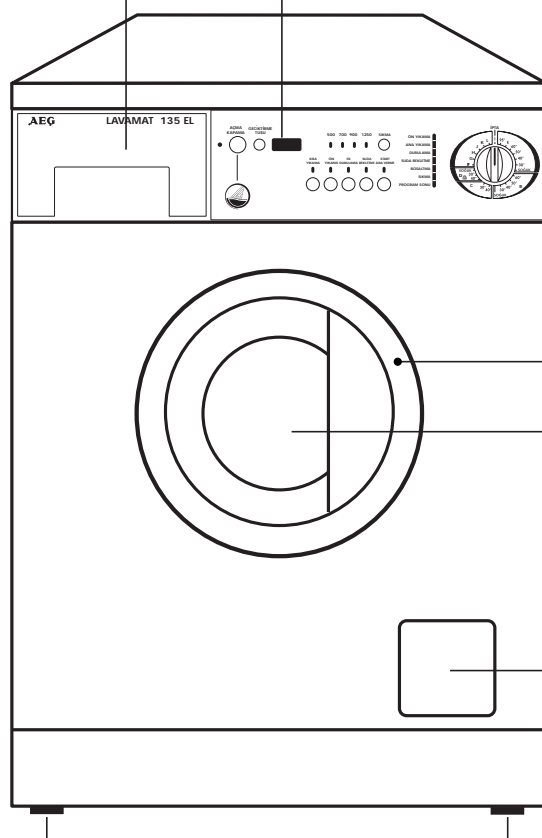
- Selection of the programme and temperature by means of the same selector knob.
- The Programme phase indicator shows the wash cycle progress.
- The **DELAY START** option allows you to delay starting of the wash programme to the desired time of day.
- The **ANTICREASE** function (stop with water in drum) can be selected for all fabrics: the laundry is left immersed in the final rinse water to avoid the formation of creases.
- Because of its gentle washing action, the **special wool cycle** washes your garments with extreme care, without felting them.
- **3-compartment drawer** for detergent and fabric softener.
- **Unbalance detection device**: secure position and silent operation of the appliance.

Description of the appliance

Front view

Detergent dispenser drawer

Control panel



Door locked
pilot light

Door

Filter

Adjustable feet

C DELAY START button (GECİKTİRME TUŞU)

This button allows starting of the machine to be delayed from 1 hour up to a maximum of 19 hours.

The button must be pressed before pressing the START/PAUSE (START ARA VERME) button.

The figures indicating the required delay appear for about 2 seconds in the display next to the button. The duration of the selected wash programme is then displayed. After one minute, the machine starts its countdown (every hour).

During the last hour, the remaining time is displayed every 5 minutes.

The delayed start function **cannot** be used with the SPIN (SIKMA) (K) DELICATE SPIN (HASSAS SIKMA) (L) and EMPTY (BOŞALTMA) (J) programmes.

To modify or cancel the preset delay, press the START/PAUSE (START ARA VERME) button, then press the DELAY START (GECİKTİRME TUŞU) button until the required value is displayed or, if you wish to cancel the delay, until the symbol **h** is displayed.

Then press the START/PAUSE (START ARA VERME) button again.

When the delay is cancelled, the display shows the duration of the wash programme previously selected.

D Display

The display shows the following information:

- if the programme selector knob is on the CANCEL (İPTAL) position, **three flashing dashes** appear immediately after pressing the ON/OFF (AÇMA KAPAMA) button to indicate that the machine is ready to receive instructions for the required wash programme;
 - **duration of the selected wash programme**, calculated automatically on the basis of the maximum recommended load for each type of fabric.
- After the programme has started, the time remaining is updated every 10 minutes, and every 5 minutes during the last 20 minutes.
- When the programme has finished, **three flashing zeros** are displayed;
 - **delayed start**, programmed using the special button (C).

The selected delay (19 hours max.) is indicated in the display. The countdown is updated every hour, and every 5 minutes during the last hour.

- **Machine heating phase.** A dot to the right of the figures in the display indicates that the machine is heating the water. During this phase the user can therefore decide whether to use other electrical appliances simultaneously.
- **incorrect option selection.** If an option which is not compatible with the set wash programme is selected, the message **Err** is displayed.

E QUICK WASH button (KISA YIKAMA)

By pressing this button the washing time is reduced. For use when washing lightly soiled laundry.

This option is **not** available with the wool programme (D).

F PREWASH button (ÖN YIKAMA)

The machine performs a prewash cycle at 40°C max. The prewash cycle ends with a short spin in programmes for Whites and Coloured cottons (Beyazlar/Renkliler) (A) and Synthetics (Sentetikler) (B), and with emptying of the water only for Delicate programme (Hassas Çamaşırlar) (C).

This option is **not** available with the wool programme (D).

For use when washing heavily soiled laundry.

Important: the PREWASH (ÖN YIKAMA) and QUICK WASH (KISA YIKAMA) options **cannot** be selected together: one automatically disables the other.

G EXTRA RINSE button (EK DURULAMA)

Can be used with all programmes **except the wool programme**. The machine performs 4 rinses instead of 3.

This option is recommended for people who are allergic to detergents and in areas where the water is very soft.

H Antcrease button (stop with water in drum) (SUDA BEKLETME)

When this button is pressed, the last rinse water is not emptied out, to prevent the fabrics from creasing. When the programme has finished, the corresponding pilot lights (on the programme phase indicator) and above the button flash to indicate that the water must be emptied out.

To empty out water:

- press the START/PAUSE (START ARA VERME) button: after emptying, the machine performs the spin cycle required for the type of wash selected;

- select the empty programme J to empty out the water without spinning.

Warning! The programme selector knob must be turned first to CANCEL (İPTAL) and then to programme J.

This option can also be selected for the wool programme: the last rinse water is emptied out but the machine does not spin.

If the water is not emptied out, the machine automatically empties itself after 18 hours.

J START/PAUSE button (START ARA VERME)

This button has three functions:

a) Start

After having selected the required wash programme, press this button to start the machine; the corresponding pilot light stops flashing.

b) Pause

To interrupt a programme which is running, press the START/PAUSE (START ARA VERME) button: the corresponding pilot light and the light of the programme phase which is running will start to flash.

To restart the programme from the point at which it was interrupted, **press the START/PAUSE (START ARA VERME) button again.**

c) Empty out water

At the end of a programme which ends with water in the drum (ANTI-CREASE option - SUDA BEKLETME), or after the soak programme F, press the START/PAUSE (START ARA VERME) button to empty out the water: after a soak programme, the machine will empty only; after ANTICREASE (SUDA BEKLETME) programmes, the machine will empty and spin.

K SPIN SPEED button (SIKMA)

Press this button to select the required spin speed, remembering that:

- for cottons (Programmes A) the maximum spin speed is 1250 rpm;
- for synthetics (Progr. B) and wool (Progr. D) the maximum spin speed is 900 rpm;
- for delicate fabrics (Progr. C) the maximum spin speed is 700 rpm.

L Programme phase indicator

By selecting the wash programme, the pilot lights corresponding to the various phases making up the programme come on.

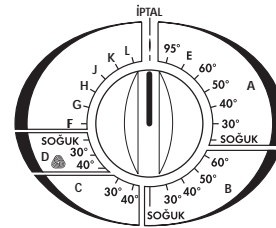
After the machine has started, only the running phase pilot light stays on. When the programme has finished, the END (PROGRAM SONU) pilot light comes on.

ON YIKAMA	PREWASH
ANA YIKAMA	WASH
DURULAMA	RINSES
SUDA BEKLETME	RINSE HOLD
BOŞALTIMA	DRAIN
SIKMA	SPIN
PROGRAM SONU	END

M Programme selector

The selector is divided into 5 sectors:

- Cotton and linen (Beyazlar/Renkli) (programmes A)
- Synthetics (Sentetikler) (programmes B)
- Delicate fabrics (Hassas Çamaşırlar) (programmes C)
- Wool (Yünlüler) (programme D)
- Special programmes (programmes F to L)



The selector knob can be turned either clockwise or anticlockwise.

Symbols on the programme selector

- Position E corresponds to the ECONOMY programme.
- The SOĞUK position is for a wash with cold water.

Cancelling a programme

To cancel a programme which is running, turn the programme selector knob to the CANCEL (İPTAL) position: three flashing dashes will be displayed.

Warning! After a programme which ends with water in the drum (ANTICREASE option - SUDA BEKLETME), turn the selector knob first to CANCEL (İPTAL) and then to the empty programme J.

Modification of a programme which is running

To modify a programme, first set the machine to PAUSE by pressing the START/PAUSE (START ARA VERME) button.

Before the machine starts the heating phase, i.e. within the first 15 minutes for cotton programmes, 10 minutes for synthetic and delicate programmes and 5 minutes for the wool programme, the selected wash cycle can be modified.

Warning! If the programme selector knob is turned first to CANCEL (IPTAL) and then to the new programme, the programme which is running is cancelled, the water is emptied out and the machine re-starts from water filling. To simply modify the programme which is running, turn the programme selector knob to the desired position (avoiding the CANCEL position): when the START/PAUSE (START ARA VERME) button is pressed again, the machine restarts with the newly selected programme from the point at which it was interrupted.

Opening the door after the programme has started

The door can only be opened before the machine starts the heating phase (within the first 15, 10 or 5 minutes, depending on the programme selected - see paragraph above) and during the rinse phase.

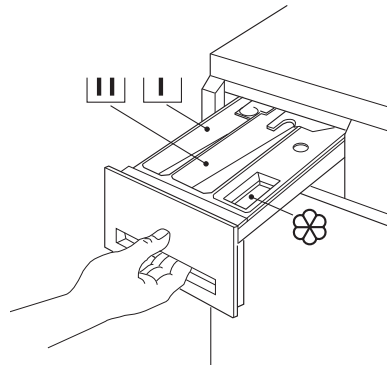
Set the machine to PAUSE (by pressing the START/PAUSE - START ARA VERME button).

If the door does not open, this means that the machine is already heating, or that the water level is above the bottom edge of the door.

This prevents large quantities of water from gushing out when the door is opened.

The door cannot be opened until the pilot light has gone out.

Detergent and additive dispenser drawer



- I** Compartment for prewash detergent. It is emptied at the beginning of the wash programme.
- II** Compartment for powder or liquid detergent used for main wash. It is emptied at the beginning of the wash cycle.
- III** Compartment for liquid additives (fabric softener, starch). It is emptied at the last rinse.

The quantity of additives must not exceed the «MAX» mark in the drawer.

Before the first wash

Before your first wash, we recommend that you run a cotton cycle at 60°C, **without any laundry in the machine**, to remove any manufacturing residue from the drum and tub.

Pour 1/2 a measure of detergent into the dispenser drawer and start the machine.

Preparing the wash cycle

Sorting out and preparing the laundry

- Sort out the laundry according to type of fabrics and care labels (see "Types of fabric and care labels").
- Empty pockets.
- Remove any metal parts (safety pins, clips, etc.).
- To prevent the laundry from getting damaged and forming bundles, it is advisable to close zips, button up pillowcases and quilt covers and tie up loose straps such as those of aprons.
- Turn double faced items inside out (sleeping bags, anoraks, etc.)
- Turn coloured knitted fabrics, woollens and fabrics with trim inside out.
- Wash small and delicate items (baby socks, tights) inside a laundry net or in a pillow case closed with a zip, or in larger socks.
- Treat curtains with special care. Remove all metal or plastic hooks or put them in a net or a bag. We decline any responsibility in case of damage.
- Whites and coloureds must be washed separately: white items can lose their whiteness.
- New coloured fabrics often have excess dyes; it is advisable to wash them separately for the first time.
- Wash small and large items together; this improves the washing result and the laundry is better distributed during spinning.
- Shake out garments before putting them into the machine.
- Insert each garment separately.

Weight of laundry

Sort of laundry	Approximate dry weights
Bathrobes	1200 g
Work shirts	300-600 g
Quilt covers	700 g
Sheets	500 g
Blouses	100 g
Hand towels	200 g
Tea towels	100 g
Shirts	200 g
Pillowcases	200 g
Night-gowns/Pyjamas	200-250 g
Tablecloths	200-300 g
Underwear	250 g

Types of fabric and care labels

The labels on garments help you to select the most suitable wash programme. The laundry should be sorted out according to the type of fabric and the instructions indicated on care labels.

Temperatures indicated on labels are always maximum temperatures.

Whites

Linen and cottons marked with this symbol can be washed at high temperatures.

Coloureds

Linen and cottons marked with this symbol are colourfast and can be washed at 60°C.

Coloureds

Garments marked with these symbols have delicate colours, therefore the washing temperature must not exceed these values.


Synthetics

Mixed and synthetic fabrics marked with these symbols require a delicate wash programme and they must therefore be washed using the specific programme.

Delicates  


Microfibres, synthetics or curtains marked with these symbols require a particularly delicate treatment.



The DELICATES programme (HASSAS ÇAMAŞIRLAR) is suitable for this type of fabric.

Woollens and particularly delicate items 

Fabrics such as wool, wool mix or silk marked with this symbol are particularly sensitive to machine washing.

The WOOLLENS programme (YÜNLÜLER) is suitable for this type of fabric.

Fabrics marked with the  symbol (wool) can be machine washed only if the label indicates "does not felt" or "machine washable".

If the label has the symbol  (hand wash) or , garments must not be machine washed!

Detergents and additives

Which detergent and additive?

Use only detergents and additives for washing machines. Follow the manufacturer's instructions.

How much detergent?

The quantity depends on:

- the load:
if the manufacturer does not provide any indications on the amount of detergent for small loads, use about one third less than the suggested amount for half loads and half the amount for very small loads;
- the degree of soil:
use a small amount of detergent for lightly soiled garments. Judge the amount according to the detergent manufacturer's instructions and size of the load;
- the water hardness:
the harder the water, the more detergent required. Instructions according to water hardness are given on the detergent pack.

Liquid detergent

Liquid detergent can be poured directly into the main wash compartment of the dispenser drawer **immediately** before starting the programme, or a special dispenser can be used that is placed directly in the drum. Measure the detergent according to the manufacturer's instructions.

Adding a water softener



A water softener must be added when water has a medium-high degree of hardness (from degree of hardness II). Follow the manufacturer's instructions. The quantity of detergent can then always be adjusted to degree of hardness I (= soft). Information on water hardness can be obtained from your local water supply authority.

Information on water hardness








Degree of hardness	German degrees °dH	French degrees °TH
I=Soft	0-7	0-15
II=Medium	7-14	16-25
III=Hard	14-21	26-37
IV=Very hard	more than 21	more than 37

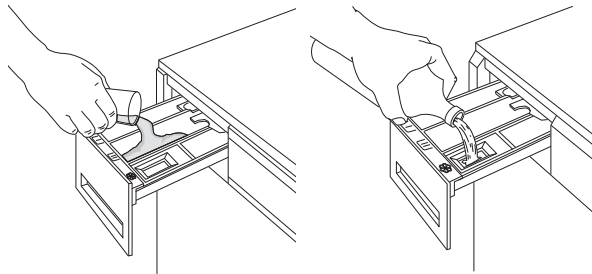
How to wash

Load the laundry


-  Open the door.
-  Place the laundry in the drum, one item at a time. Distribute laundry as evenly as possible. Close the door.

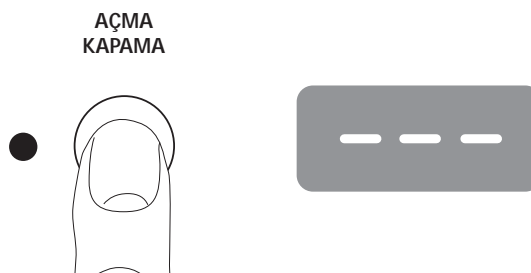
Add detergent and additive

-  Pull the drawer out till it stops.
 -  Pour the main wash detergent into compartment .
- If you wish to perform a pre-wash, pour detergent also into compartment .
-  Pour the fabric softener into compartment  without exceeding the "MAX" mark.
 -  Close the drawer, pushing it fully in.



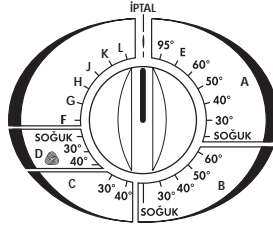
Switching the machine on

-  To switch the machine on, press the ON/OFF (AÇMA KAPAMA) button: if the programme selector knob is on the CANCEL (İPTAL) position, three flashing dashes will be displayed. If the programme selector knob is positioned on a wash programme, the duration of that programme will be displayed.



Selection of the desired wash programme

☞ Turn the programme selector knob to the desired position: the lights corresponding to the different phases making up the selected programme light on.



ON YIKAMA	PREWASH
ANA YIKAMA	WASH
DURULAMA	RINSES
SUDA BEKLETME	RINSE HOLD
BOŞALTIMA	DRAIN
SIKMA	SPIN
PROGRAM SONU	END

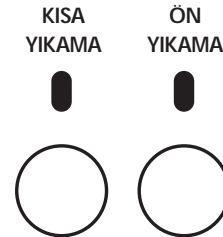
Selection of the spin speed

☞ To select the desired spin speed, press the SPIN SPEED (SIKMA) button: the corresponding light comes on.



Selection of the PREWASH (ÖN YIKAMA) or QUICK WASH (KISA YIKAMA) option, depending on the degree of soil of the laundry and on the type of fabric.

☞ The corresponding light comes on.




Selection of the EXTRA RINSE (EK DURULAMA) or ANTICREASE (SUDA BEKLETME) option

☞ The corresponding light(s) come on.




Selection of the DELAY START option (GECİKTİRME TUŞU)

-  To delay starting of a programme, press the DELAY START (GECİKTİRME TUŞU) button **before starting the machine**. The figures corresponding to the selected delay will be displayed for about 2 seconds, after which the duration of the selected programme will appear on the display. When the START/PAUSE (START ARA VERME) button is pressed, the selected delay will again appear on the display and the machine starts its countdown.

GECİKTİRME
TUŞU



Starting the programme

-  To start the selected programme, press the START/PAUSE (START ARA VERME) button; the corresponding light stops flashing and the door locked pilot light comes on to indicate that the door locking safety device is in operation. The pilot light corresponding to the wash phase which is running also comes on. After about 30 seconds the programme starts.








START
ARA VERME



At the end of the programme


The machine stops automatically and three flashing zeros are displayed.

The END (PROGRAM SONU) and spin speed pilot lights, as well as the pilot light(s) corresponding to the selected option(s), stay on.

-  If the ANTICREASE (SUDA BEKLETME) option has been selected, the corresponding pilot light on the programme phase indicator flashes to indicate that the water must be emptied out before opening the door. The pilot light of the START button flashes and three flashing zeros are displayed.
-  Release of the lock is indicated by an audible signal as well as the pilot light going out.
-  Switch the machine off by pressing the ON/OFF (AÇMA KAPAMA) button.
-  Turn the programme selector knob to CANCEL (İPTAL).
-  Remove the laundry from the drum
Check that the drum is empty so as to avoid a subsequent wash being damaged by any forgotten items.
-  Close the water tap.
-  Leave the door open to prevent the formation of mildew and unpleasant smells.

Programme chart

Wash programmes

Wash programme	Temp.	Fabrics	Additional functions	Max. load	Consumption*		
					Energy Kwh	Water lt.	Duration min.
A Whites (Beyazlar)	95°-60°	Cotton and linen, for example normally soiled work garments, sheets, household linen, underwear, towels.	KISA YIKAMA ÖN YIKAMA EK DURULAMA SUDA BEKLETME SIKMA	5 kg	1.9	44	155
A E Whites ECONOMY (Beyazlar Ekonomik)	60°	Cotton and linen, for example normally to lightly soiled sheets and household linen.	EK DURULAMA SUDA BEKLETME SIKMA	5 kg	1.7	41	155
A Coloured cottons (Renkliler)	60°-50° 40°-30° COLD (SOĞUK)	Coloured cotton or linen fabric, shirts, underwear, towels.	KISA YIKAMA ÖN YIKAMA EK DURULAMA SUDA BEKLETME SIKMA	5 kg	1.07	41	128
B Synthetics (Sentetikler)	60°-50° 40°-30° COLD (SOĞUK)	Synthetic fabrics, underwear, coloured garments, non-shrink shirts, blouses.	KISA YIKAMA ÖN YIKAMA EK DURULAMA SUDA BEKLETME SIKMA	2 kg	1.0	55	85
C Delicates (Hassas Çamaşırlar)	40°-30°	Delicate fabrics, for example curtains.	KISA YIKAMA ÖN YIKAMA EK DURULAMA SUDA BEKLETME SIKMA	2 kg	0.5	50	60
D Wool  (Yünlüler)	40°-30° COLD (SOĞUK)	Wool garments bearing the "Pure new wool, non-shrink, machine washable" label.	SUDA BEKLETME SIKMA	1 kg	0.4	47	60

ECONOMY

Select the economy programme "E" instead of the 95°C programme when washing normally soiled whites; the wash is carried out at about 60°C, with consequent energy saving. The washing time will be slightly longer.

In compliance with EC directive 92/75, the consumption figures indicated on the energy label refer to the 60°C wash programme for coloured cottons (A).

* The consumption data shown on this chart is to be considered purely indicative, as it may vary depending on the quantity and type of laundry, on the inlet water temperature and on the ambient temperature. It corresponds to the highest temperature for each wash programme.

Programme chart

Special programmes

Programme	Type of laundry	Programme phases	Additional functions	Max. load	Consumption*		
					Energy Kwh	Water lt.	Duration min.
F Soak (Sadece ön yıkama)	Heavily soiled fabrics, except wool.	Soak at 40°C. Stop with water in drum. To empty only: press the START/PAUSE button. To empty and spin: select the desired spin speed and press the START/PAUSE button. The machine automatically empties itself after 18 hours.		5 kg	0.6	23	25
G Delicate rinses (Hassas durulama)	This programme can be used for rinsing hand washed garments.	3 rinses with liquid additive. Short spin. (700 rpm max)	EK DURULAMA SUDA BEKLETME SIKMA	5 kg	0.02	40	20
H Starch, fabric softener (Kolalama yumuşatıcı)	Hand washed garments to be starched or softened.	1 rinse with liquid additive. Spin.	SUDA BEKLETME SIKMA	5 kg	0.03	15	20
J Empty (Boşaltma)	For emptying out the last rinse water in programmes with the Anti-crease option.	The water is emptied out.		/	-	-	2
K Spin (Sıkma)	Separate spin for all fabrics.	Spin.	SIKMA	5 kg	-	-	4
L Short spin (Hassas sıkma)	Separate spin for synthetics and delicate fabrics.	Short spin. (700 rpm max)	SIKMA	2 kg	-	-	1.30
Cancel (İptal)	Cancel.	For cancelling the wash programme which is running.					

* The consumption data shown on this chart is to be considered purely indicative, as it may vary depending on the quantity and type of laundry, on the inlet water temperature and on the ambient temperature.

Cleaning and maintenance

After each wash

- ☞ At the end of the wash programme, pull the dispenser drawer out a little to let it dry.
- ☞ Leave the door ajar to allow air to circulate.

If the machine is not used for a prolonged period:

- ☞ Close the water tap(s) and unplug the appliance.

Periodical cleaning

Bodywork

Clean the outside of the machine with warm water and a neutral, non-abrasive household detergent. Rinse with clean water and dry with a soft cloth.

Important: do not use methylated spirits, solvents or similar products to clean the bodywork.

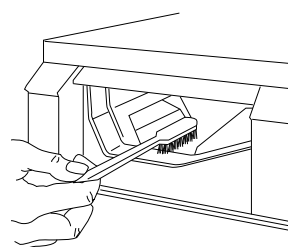
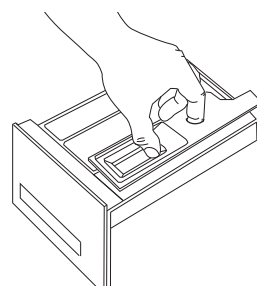
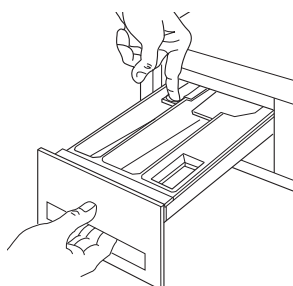
Detergent dispenser drawer

After a while, detergents and fabric softeners leave deposits in the drawer.

Clean the drawer, from time to time, by rinsing it under a running tap. To remove the drawer from the machine, press the button in the rear left-hand corner.

To facilitate cleaning, the top part of the additive compartment can be removed.

Detergent can also accumulate inside the drawer recess: clean it with an old toothbrush. Refit the drawer after cleaning.



Drain filter

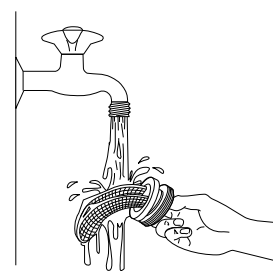
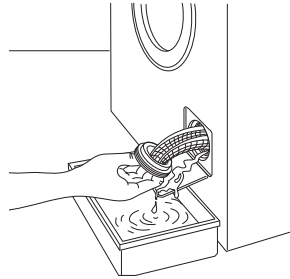
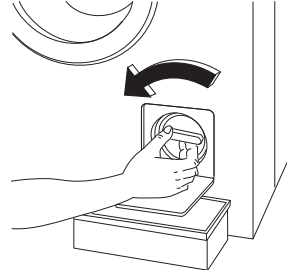
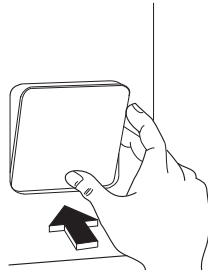
The drain filter collects threads and small objects inadvertently left in the laundry. Check regularly that the filter is clean.

Open the filter door.

Place a container under the filter and unscrew it; some water will come out of the filter.

Pull out the filter.

Clean the filter under a running tap, then refit it, screwing it fully in.



Water inlet filter

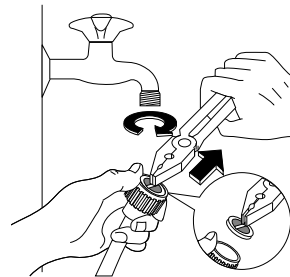
If you notice that the machine is taking longer to fill, check that the filter in the water inlet hose is not blocked.

Turn off the water tap.

Unscrew the hose from the tap and remove the filter.

Clean it with a stiff brush.

Refit the filter and screw the hose back onto the tap.



Emergency emptying out

If the water is not discharged (pump is blocked, filter or drain hose are clogged), proceed as follows to empty out the machine:

- pull out the plug from the power socket;
- close the water tap;
- if necessary, wait until the water has cooled;
- place a bowl on the floor;
- put the drain hose end into the bowl and let the water come out.

Should it not be possible to have access to the drain hose because, for example the appliance is built in the kitchen furniture, slightly loosen the drain filter after placing a bowl on the floor to let the water come out slowly.

At the end screw the filter again.

Frost precautions

If the machine is installed in a place where the temperature could drop below 0°C, proceed as follows:

- Close the water tap and unscrew the water inlet hose from the tap.
- Place the end of the drain hose and the inlet hose in a bowl placed on the floor.
- Select the "empty" programme J and run it until the machine stops.
- Turn the programme selector to CANCEL (IPTAL).
- Press the ON/OFF (AÇMA KAPAMA) button.
- Remove the plug from the power socket.
- Screw the water inlet hose back on and put the drain hose back in its place.

By doing this, any water remaining in the machine is removed, avoiding the formation of ice and, consequently, breakage of the parts involved.

When you use the machine again, make sure that the ambient temperature is above 0°C.

Something not working?

- i** If, during the spin cycle, the machine makes an unusual whistling noise, different from the noise made by traditional washing machines, this is due to a new type of motor.

If water is not visible in the drum, this is due to the modern technology of new washing machines that use less water than traditional machines.



Troubleshooting

If a problem arises, you can try to solve it yourself following the instructions below. If you call out an engineer when one of the following problems arises, or to repair a fault due to incorrect use, the call-out will be charged even if requested within the guarantee period.

During machine operation the following alarm codes may be displayed:

- **E00**: problem with the water supply
- **E10**: problem with water draining
- **E20**: door open

Once the problem has been eliminated, press the START/PAUSE button to restart the programme. If after all checks, the problem persists, contact your local Service Centre.

Problem	Possible cause	Solution
The machine does not work	The ON/OFF (AÇMA KAPAMA button) has not been depressed.	Depress the button.
	The main electrical fuse has blown.	Replace the fuse.
	The door is not properly closed (E20).	Close the door; the click of the lock should be heard.
	The plug is not connected.	Insert the plug.
	The START ARA VERME button has not been pressed.	Press the button.
	The programme selector has not been set correctly.	Set the selector to the chosen programme.
	The GECİKTİRME TUŞU option has been selected.	Check the selected delay on the display.

Something not working?

Problem	Possible cause	Solution
The machine does not fill	The water tap is closed (E00) .	Open the water tap.
	The water inlet hose is squashed or kinked (E00) .	Check the whole length of the hose and remove the kink.
	The small filter of the water inlet hose is clogged (E00) .	Clean the filter.
	The door is not properly closed (E20) .	Close the door.
The machine fills then empties immediately	The end of the drain hose is too low.	Place the hose at the right height (see Installation section).
The machine does not empty and/or does not spin	The drain hose is squashed or kinked (E10) .	Check the whole length of the hose and remove the kink.
	The drain filter or the drain hose are clogged (E10) .	Clean the filter or check the hose.
	The SUDA BEKLEME option (stop with water in drum) has been selected.	Empty out the water by pressing the START ARAVERME button or selecting the empty programme.
	The laundry is not evenly distributed inside the drum.	Redistribute the laundry manually in the drum.
There is water on the floor	Too much detergent has been used.	Measure detergent according to the manufacturer's instructions.
	An unsuitable detergent has been used that creates too much foam.	Use a suitable washing machine detergent.
	One of the connectors on the water inlet hose is leaking.	Check that the hose is firmly screwed on at both ends.
	The drain filter has not been properly screwed on after cleaning.	Fully screw the filter into place.

Problem	Possible cause	Solution
The machine vibrates or is noisy	The transit bolts have not been removed.	Check that the machine has been unpacked as described in the Installation section.
	The feet have not been adjusted.	Carefully level the machine.
	There is little laundry in the drum.	Correct operation of the machine is not affected.
	The machine is in contact with the wall or furniture.	Move the machine slightly away from the wall or furniture.
The door will not open	The programme is still running.	Wait until the end of the programme before opening the door.
	The door lock has not yet released.	Wait about 2 minutes for the door lock to release. The door cannot be opened until the pilot light located next to the door handle has gone out.
	The water level is above the bottom edge of the door.	Before opening the door, the water must be emptied out.
	The machine is heating the water.	Wait until the end of the heating phase.

Something not working?

Problem	Possible cause	Solution
Spinning starts late or the machine does not spin	The unbalance detection device that prevents excessive vibration during spinning and ensures a stable position has cut in.	If the laundry is not evenly distributed inside the drum at the beginning of the spin cycle, the machine detects this and tries to redistribute it more evenly by means of a few drum rotations. Only when the laundry is more evenly distributed will the spin cycle be performed, eventually at a lower speed, if the laundry is not yet evenly distributed. If, after about 15 minutes, the laundry is still tangled, the machine will not spin. Therefore, if the laundry is still wet at the end of the cycle, it is advisable to redistribute it manually inside the drum and to select the spin programme again.

Unsatisfactory washing results

If the laundry looks grey and lime scale is found in the drum

- Too little detergent has been used.
- An unsuitable detergent has been used.
- Stubborn stains have not been treated prior to washing.
- The programme/temperature have not been correctly selected.

If grey stains remain on the laundry

- Laundry stained with ointments, grease or oil has been washed with an insufficient amount of detergent.
- The temperature selected for the wash programme was too low.
- Fabric softener - especially the concentrated type - has come into direct contact with the laundry. Wash these stains immediately and pour fabric softener carefully.

Foam is still visible even after the last rinse

- Modern detergents often produce foam, even in the last rinse. However the laundry has been completely rinsed.

White residue is left on the laundry

- This is due to insoluble components in modern detergents and is therefore not the result of insufficient rinsing. Shake or brush the laundry. In future, it may be better to turn garments inside out before washing them. Check the choice of detergent; try using liquid detergents.

Technical data

Height x Width x Depth	85x60x60 cm
Depth with door opened	93 cm
Height adjustment	± 13 mm approx.
Net weight	71 kg approx.
Load (depending on programme)	5 kg max.
Use	domestic
Drum speed during washing	max. 55 rpm
Drum speed during spinning	1250/900/700 rpm max.
Water pressure	1 - 10 bar (=10-100N/cm ² = 0.1-1.0Mpa)

- CE** This appliance complies with the following EC directives:
- 73/23/EEC of 19.2.1973 "Low voltage directive", including directive 93 / 68 / EEC
 - 89/336/EEC of 3.5.1989 "Electromagnetic Compatibility Directive".

Service

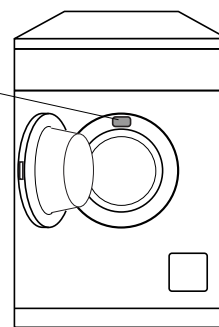
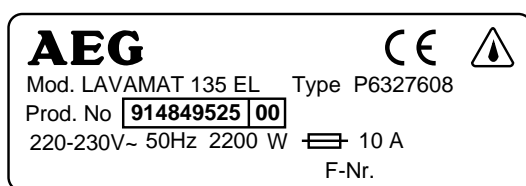
In the section "Something not working?" some problems that can be solved by yourself are listed. Read this section in the event of problems. If you are not able to find a solution, contact the Service centre. (Addresses and telephone numbers are given on the enclosed leaflet).

In all cases, set your speech before calling, in order to facilitate troubleshooting: the engineer will be able to decide whether a service call is necessary.

Take note of the serial number (F-Nr.) and the product number (Prod. No.) indicated on the rating plate.

F-Nr.

Prod. No.



Furthermore, try to specify, as precisely as possible:

- The symptoms of the fault
- When the fault occurs

When can a service visit be charged during the guarantee period?

- when it should have been possible to solve the problem by yourself, with the help of the troubleshooting chart (see section "Something not working?")
- when the engineer has to come out several times because he has not been given all the relevant information he needs and so, for example, has to fetch spare parts. Repeated trips can be avoided if you prepare your call to the Service centre as described above.

Instructions for installation and electrical connection

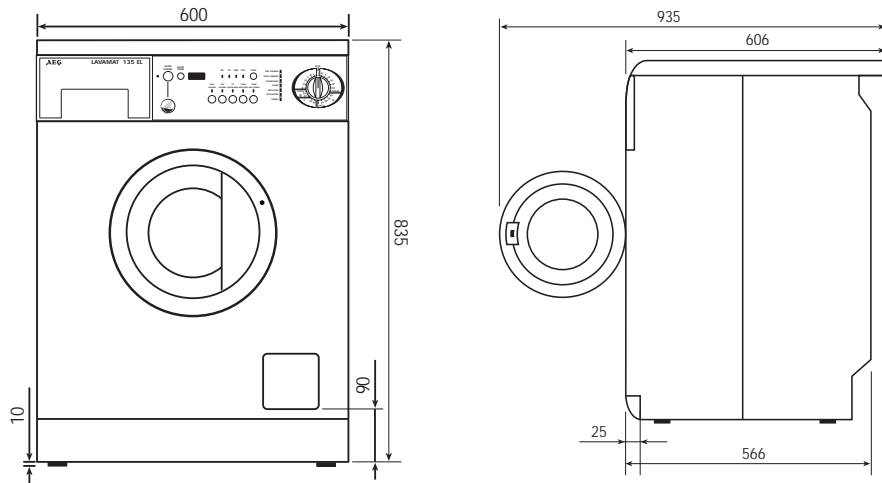


Safety instructions

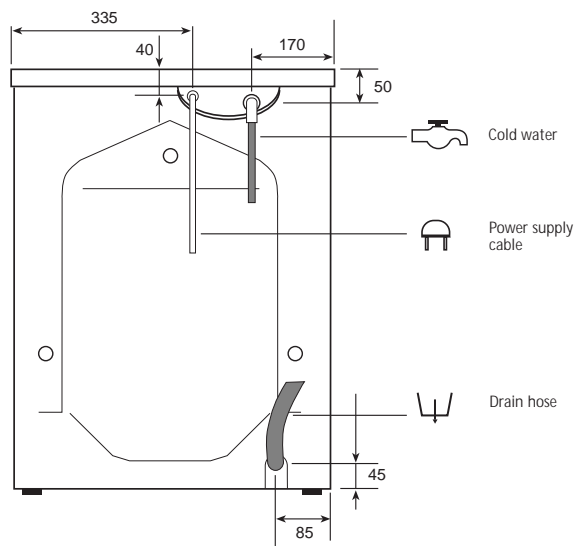
- When unpacking the appliance, check that it is not damaged. If in doubt, do not use it and contact the retailer.
- All internal packing must be removed before using the appliance. Serious damage may be caused to the machine or adjacent furniture if the protective transit devices are not removed or are not completely removed. Refer to the relevant paragraph.
- Any electrical work required to install this appliance must be carried out by a qualified electrician.
- Any plumbing work required to install this appliance must be carried out by a qualified plumber.
- After having installed the machine, check that it is not standing on its electrical supply cable.
- If the appliance is placed on a carpeted floor, ensure that air can circulate freely between the adjustable feet and the floor.
- The power supply cable must be replaced only by our Service Centre.

Dimensions of the appliance

Front view and side view





Rear view

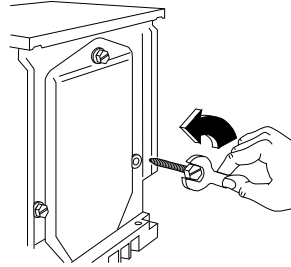



Installation

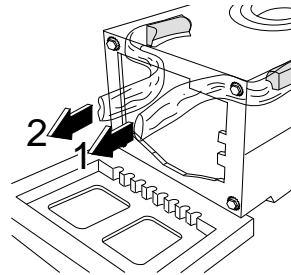
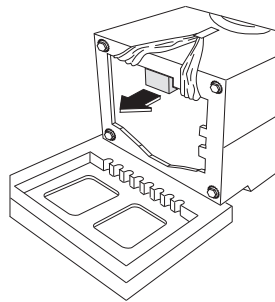
Unpacking


 All transit bolts and packing must be removed before using the appliance.


 Using a spanner, unscrew and remove the rear right-hand bolt and lay the machine on its back, taking care not to squash the hoses. This can be avoided by placing one of the corner packing pieces between the machine and the floor.

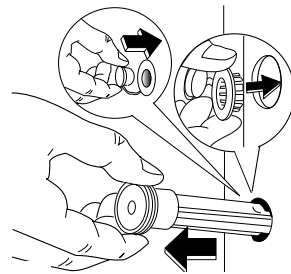
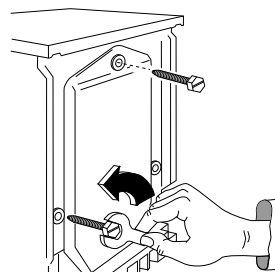



 Remove the polystyrene block from the bottom of the machine and release the two plastic bags by removing the adhesive strip.



 Carefully remove the right-hand bag (1) then the left-hand bag (2) by pulling them towards the centre of the machine.

 Set the machine upright and remove the two remaining bolts from the back.



 Pull out the three plastic spacers from the holes into which the bolts were fitted.

 Plug the open holes with the plugs which you will find at the back of the appliance.

You are advised to keep all transit devices so that they can be refitted if the machine ever has to be transported again.

Positioning

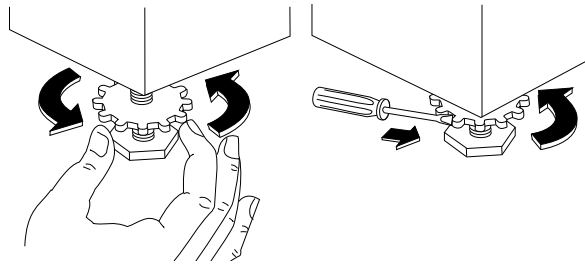
Install the machine on a flat hard floor.

Make sure that air circulation around the machine is not impeded by carpets, rugs etc. Check that the machine does not touch the wall or other kitchen units.

- The floor surface must be clean and dry, without any wax or polish residue to avoid any possibility of sliding. Do not use viscous substances to move the appliance into place by sliding it across the floor.
- It is inadvisable to place the machine on long-haired rugs or carpet or on layers of foam-rubber as this would affect its stability.
- Before placing it on small tiles, apply a rubber coating.
- If the appliance is positioned on flexible floors, especially wooden beams with flexible floorboards, use a 15 mm thick, water resistant panel of wood, screwed to at least two of the floor beams. If possible, position the machine in a corner of the room, where the beams are more solidly fixed and tend to be more stable.
- Never try to correct any unevenness in the floor by putting pieces of wood, cardboard or similar materials under the machine.
- If it is impossible to avoid positioning the machine next to a gas cooker or coal-burning stove, an insulating panel (85x57 cm) covered with aluminium foil on the side facing the cooker or stove, must be inserted between the two appliances;
- The machine must not be installed in rooms where the temperature can drop below 0.
- The water inlet hose and the drain hose must not be kinked.

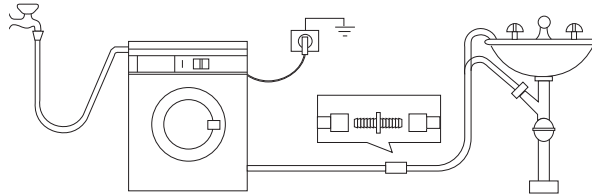
Levelling

Carefully level by screwing the adjustable feet in or out. Never place cardboard, wood or similar materials under the machine to compensate for any unevenness in the floor.



After having levelled the machine, tighten the lock nuts.

Directly into a drain pipe at a height of not less than 60 cm and not more than 90 cm.



The end of the drain hose must always be **ventilated**, i.e. the inside diameter of the drain pipe must be larger than the outside diameter of the drain hose. The drain hose must not be kinked. Run it along the floor; only the part near the drainage point must be raised.

Electrical connection

This machine is designed to operate on a 220-230 V, single-phase, 50 Hz supply.

Check that your domestic electrical installation can take the maximum load required (2.2 kW), also taking into account any other appliances in use.

Connect the machine to an earthed socket.



The manufacturer declines any responsibility for damage or injury through failure to comply with the above safety precaution.

Permanent connection

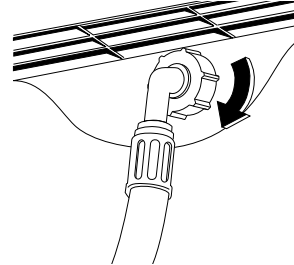
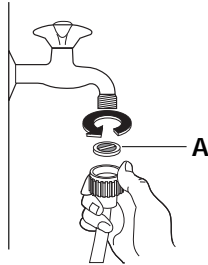
In the case of a permanent connection it is necessary that you install a double pole switch between the appliance and the electricity supply (mains), with a minimum gap of 3 mm between the switch contacts and of a type suitable for the required load in compliance with the current electrical regulations.

The switch must not break the yellow and green earth cable at any point.

This operation has only to be performed by a qualified electrician.

Water inlet

Connect the water inlet hose to a separate tap with a 3/4" thread after having inserted the small filter "A" supplied with the machine.



The other end of the inlet hose which connects to the machine can be turned in any direction. Simply loosen the fitting, rotate the hose and retighten the fitting, making sure there are no water leaks.

The inlet hose must not be lengthened. If it is too short and you do not wish to move the tap, you will have to purchase a new, longer hose specially designed for this type of use.

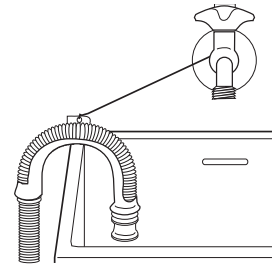
Water drainage

The end of the drain hose can be positioned in three ways:

Hooked over the edge of a sink using the plastic hose guide supplied with the machine. In this case, make sure the end cannot come unhooked when the machine is emptying.

This could be done by tying it to the tap with a piece of string or attaching it to the wall.

In a sink drain pipe branch. This branch must be above the trap so that the bend is at least 60 cm above the ground.



Free Manuals Download Website

<http://myh66.com>

<http://usermanuals.us>

<http://www.somanuals.com>

<http://www.4manuals.cc>

<http://www.manual-lib.com>

<http://www.404manual.com>

<http://www.luxmanual.com>

<http://aubethermostatmanual.com>

Golf course search by state

<http://golfingnear.com>

Email search by domain

<http://emailbydomain.com>

Auto manuals search

<http://auto.somanuals.com>

TV manuals search

<http://tv.somanuals.com>