

# 825 D / 8259 D

Dunstabzugshaube  
Fume Extractor Hood  
Hotte aspirante  
Afzuigkap  
Cappa aspirante

Montage- und Gebrauchsanweisung  
Installation and Operating Instructions  
Instructions de montage et mode d'emploi  
Montage- en gebruiksaanwijzing  
Istruzioni di montaggio ed istruzioni per l'uso  
Απορροφητήρας υδρατμών

# Contents

Introduction	20
Extractor version	20
Filter version	21
Electrical connections	22
Safety warnings for electrician	22
Technic Details	23
Installation	24
Safety warnings for kitchen unit installer	24
Installation	26
Hood Operation	28
Safety warnings for user	29
Maintenance and care	30
Metal grease filter	30
Open the metal grease filter	30
Carbon filter	31
Changing the light bulb	32
Cleaning	33
Special accessories	33
Technical assistance service	33

Printed on recycled paper.

AEG - putting words into action.

# Introduction

## Extractor version

- The hood is supplied as an extractor unit and can also be used with a filtering function by fitting activated carbon filters (special accessory).
- You will need original AEG activated carbon filters for this function (see Special Accessories).
- The air is forced out through a hose fitted to the top of the hood A. Fig. 1.
- The outlet hose must have a diameter of 120 mm (special accessory) for the filtering version.
- Fit the connection ring above the hood with two screws then fit an exhausting pipe long enough to reach the outside. Fig. 1.

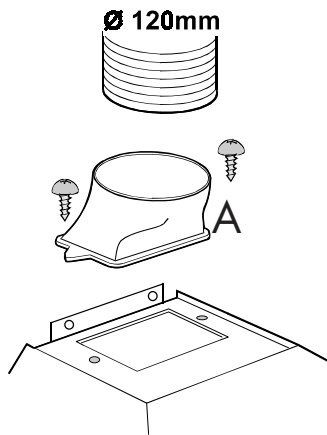


Fig. 1

- If the cooking vapour is passed through an outside wall, you will need an MKZ telescopic wall pipe (with intake and ventilation) E-Nr.: 610 899 004 (120 mm Ø) from our range of special accessories.

## Filter version

---

- The air is filtered through an activated carbon filter and passed back into the kitchen through the top outlet duct grids.
- You will need an original AEG KF 825 activated carbon filter for the filtering function. (See Special Accessories).
- Fix the deflector with two screws  $\text{Ø}3,5 \times 6,5$ . Fig. 2.

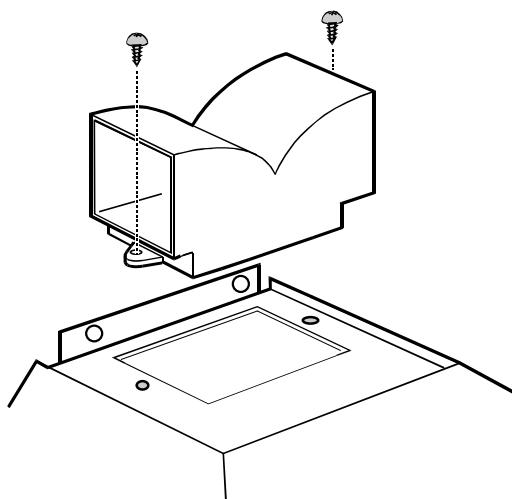


Fig. 2

---

# Electrical connections

## Safety warnings for electrician

---

It must be ensured that the voltage and current indicated on the rating plate agree with the voltage of the user to electricity supply.

If the appliance has been equipped with a mains lead with a moulded-on type plug, the following regulations must be comply with:

The plug moulded on to the lead incorporates a fuse. For replacement, use a 5 amp BS1362 fuse. Only ASTA approved or certified fuses should be used. If the fuse cover/carrier is lost, a replacement cover/carrie must be obtained from an electrical goods retailer. If the socket outlets are not suitable for the plug fitted to the appliance, then the plug must be cut off and destroyed for safety reasons, and an appropriate plug be fitted.

When wiring the plug ensure that all strands of wire are securely retained in each terminal. Do not forget to tighten the mains lead clamp on the plug.

Electrical connections

230 V - using fixed power supply line with plug.

240 V - using fixed power supply line (Great Britain).

Fuse rating 13 amps

(The unit should only be connected up by an authorized electrician).

See rating plate for further information.

It is recommended that the socket for the plug is sited above the cooker hood or above the overhead cabinet.

This has 2 advantages:

- 1) The socket is not visible.
- 2) The appliance can easily be unplugged when necessary.

If a fixed connection is required the cooker hood should be connected by an electrical installer registered with a competent electricity company. An isolating device is to be provided on the fixed wiring side. Switches with a contact opening of more than 3mm apply as isolating devices.

These include-automatic cut-out switches, fuses and contactors (VDE 0730, s. 7, Part1).

# Electrical connection for the UK

## Appliances with 2 wires

The appliance must be connected to fixed wiring with a double pole switched fused spur outlet with or without pilot lamp. We strongly recommend the appliance to be connected only by a qualified electrician who is a member of the NICEIC who will comply with the IEE and any local regulations.

### NOTE:

The terminology "DOUBLE POLE" means that both the live and the neutral supplies are switched and disconnected at the same time. The terminations labelled SUPPLY are for the connection for the internal house wiring and the terminations labelled LOAD are for the appliance.

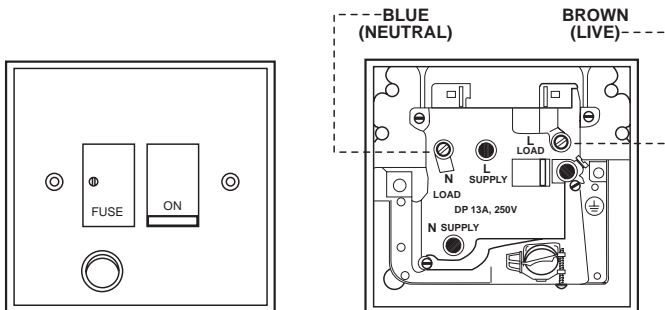
### IMPORTANT

The wires of the mains lead supplied with this appliance are coloured in accordance with the following code:

Blue-Neutral  
Brown-Live

As the colours of the flexible cord of this appliance may not correspond with the coloured markings identifying the terminals in the plug, proceed as follows: The wire which is coloured brown must be connected to the terminal which is marked with the letter L or coloured red.

The wire which is coloured blue must be connected to the terminal which is marked with the letter N or coloured black.



## Technic Details

---

### Dimensions (825 D):

Height x Width x Depth (in cm)	84-117 x 59,9 x 51.5
--------------------------------	----------------------

---

### Dimensions (8259 D):

Height x Width x Depth (in cm)	84-117 x 89,9 x 51.5
--------------------------------	----------------------

---

### Weight (825 D):

Net:	10,7 kg
------	---------

Gross:	16,2 kg
--------	---------

---

### Weight (8259 D):

Net:	13,1 kg
------	---------

Gross:	19,6 kg
--------	---------

---

Maximum absorbed power:	250W
-------------------------	------

---

Motor absorption:	1 x 170 W
-------------------	-----------

Lighting:	2 x 40 W
-----------	----------

---

Length of the cable:	100 cm
----------------------	--------

---

Fan powers (speed), speed in compliance with DIN 44971

---

### Extractor version:

1	179 m <sup>3</sup> /h
---	-----------------------

2	219 m <sup>3</sup> /h
---	-----------------------

3	336 m <sup>3</sup> /h
---	-----------------------

i	402 m <sup>3</sup> /h
---	-----------------------

---

### Filter version:

1	102 m <sup>3</sup> /h
---	-----------------------

2	150 m <sup>3</sup> /h
---	-----------------------

3	252 m <sup>3</sup> /h
---	-----------------------

i	265 m <sup>3</sup> /h
---	-----------------------

---

Flange: 120 mm Ø	
------------------	--

---

# Installation

## Safety warnings for kitchen unit installer

---

- When used as an extractor unit, the hood must be fitted with a 120mm diameter hose.
- If the fumes must be forced out through the wall, you must obtain a MKZ sizable wall exhaust pipe (with external exhaust and air intake), E-Nr.- 610 899 004 (Ø 120 mm) which is one of our optional parts.
- When installing the hood, make sure you respect the following minimum distance from the top edge of the cooking hob/ring surfaces:

electric cookers	600 mm
gas cookers	650 mm
coal and oil cookers	700 mm min.

- The air outlet must not be connected to chimney flues or combustion gas ducts. The air outlet must under no circumstances be connected to ventilation ducts for rooms in which fuel-burning appliances are installed.
- It is advisable to apply for authorization from the relevant controlling authority when connecting the outlet to an unused chimney flue or combustion gas duct. The air outlet installation must comply with the regulations laid down by the relevant authorities.
- When the unit is used in its extractor version, a sufficiently large ventilation hole must be provided, with dimensions that are approximately the same as the outlet hole.
- National and regional building regulations impose a number of restrictions on using hoods and fuel-burning appliances connected to a chimney, such as coal or oil room-heaters and gas fires, in the same room.
- The national decree on fuel-burning systems specifies a maximum depression of 0.04 bar in such rooms.



- Hoods can only be used safely with appliances connected to a chimney if the room and/or flat (air/environment combination) is ventilated from outside using a suitable ventilation hole approximately 500-600 cm<sup>2</sup> large to avoid the possibility of a depression being created during operation of the hood.

If you have any doubts, contact the relevant controlling authority or building inspector's office.

- Since the rule for rooms with fuel burning appliances is "outlet hole of the same size as the ventilation hole", a hole of 500-600 cm<sup>2</sup>, which is to say a larger hole, could reduce the performance of the extractor hood.
- If the hood is used in its filtering function, it will operate simply and safely in the above conditions without the need for any of the aforementioned measures.
- When the hood is used in its extractor function, the following rules must be followed to obtain optimal operation:
  - short and straight outlet hose
  - keep bends in outlet hose to a minimum
  - never install the hoses with an acute angle, they must always follow a gentle curve only
  - keep the hose as large as possible (120 mm Ø min.).
- Failure to observe these basic rules will drastically reduce the performance and increase the noise levels of the extractor hood.

## Installation - Fig. 3

---

- Put the template onto the wall (1) and drill two Ø12mm holes (2).
- Fit two hooks (3) on the drilled holes.
- Hang the hood on the hooks and adjust the position of the hood using the two screws on the bottom of the hooks (5).
- Remove the metal filters (4) and mark two points (6). Remove the hood and drill two Ø8mm holes on the marked points.  
Fit two Ø8mm wall dowels (7), Hang again the hood and fix the hood definitively with two screws 5X45 (8).
- Fix the chimney support (10) with two screws 5 x 45 mm (9) and two wall dowels (11) on the wall close to the ceiling.
- For exhausting version: Fit the connection ring (S) on the top of the hood with two screws Ø 3,5 x 6,5 mm (12S) then fit an exhausting pipe long enough to reach the outside (13S).  
For recycling version: Fix definitively the deflector (13K) on the top of the hood with two screws Ø 3,5 x 6,5 mm (12K).
- Prepare the electric connection (14) (see relative chapter).
- Fit the chimney (15) and fix it on the chimney support with two screws 3,0 x 9 mm (16).  
The lower part of the chimney must be slid down and inserted on the housing on the upper part of the hood (17).
- Fit the two grids (18) on both sides of the chimney.

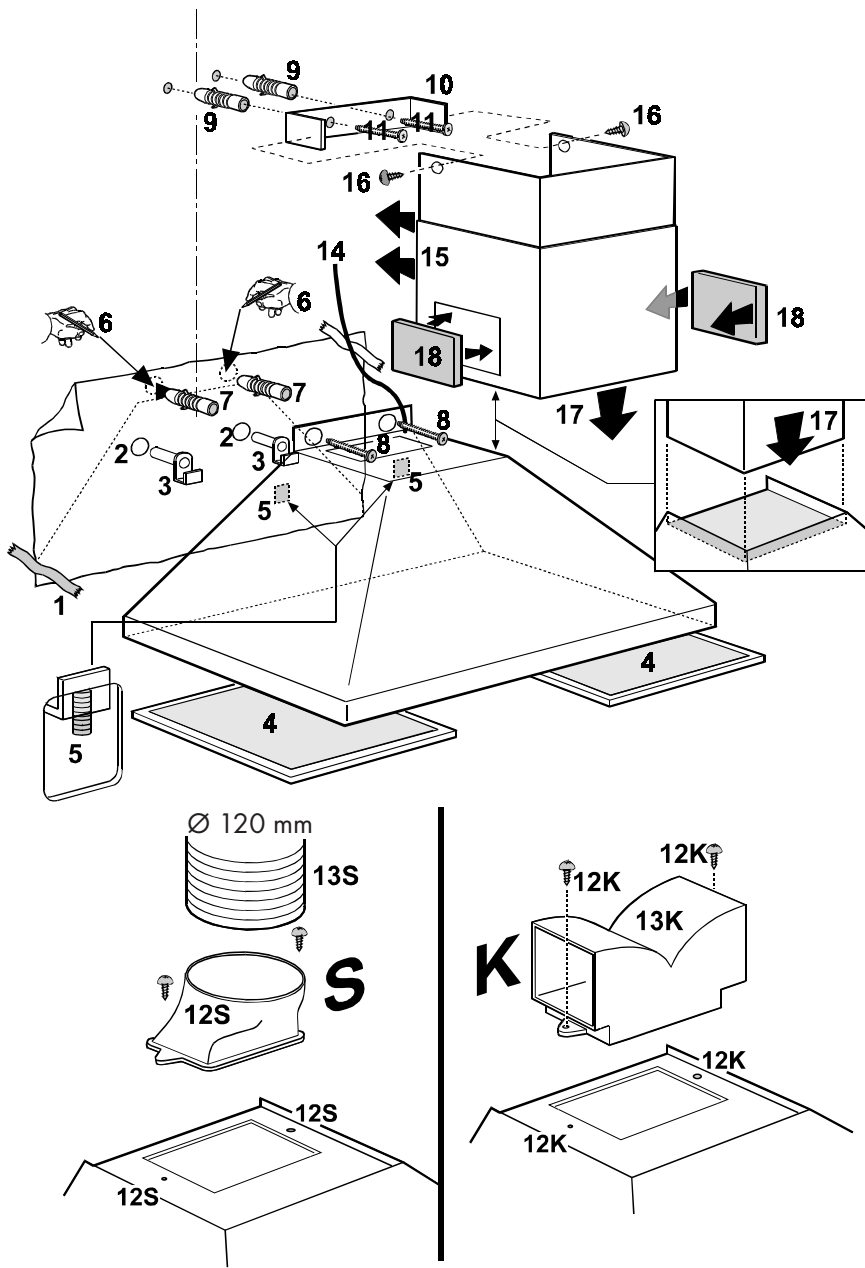
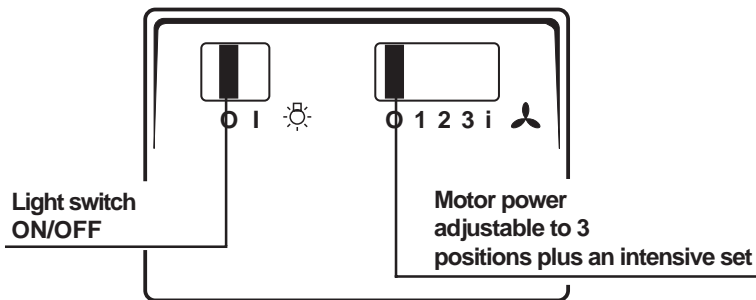


Fig. 3

# Hood Operation

- The hood is fitted with a variable speed motor. The most effective use of the hood is obtained by switching it on a few minutes before you start cooking and leaving it on a for approximately 15 minutes after you have finished, thus ensuring all cooking odours are eliminated. The control switches are located on the unit's front panel:
- the light switch switches the hood lamp on and off;
- the motor switch switches the cooking smoke and vapour extractor motor on and off, enabling you to select one of the three different speeds plus an intensive set.



## Safety warnings for user

---



- Never leave a cooking hob or ring on without a pot or pan on top of it, to avoid the possibility of excess heat damaging the unit. Gas, oil or coal cooker flames in particular should never be left uncovered.
- Special care should be taken when using deep fat fryers since the oil in them can overheat and burst into flames.
- The risk of a fat fire increases when using dirty oil.
- It is extremely important to note that overheating can cause a fire.
- Never carry out any flambé cooking under the hood.
- Always disconnect the unit from the power supply before carrying out any work on the hood, including replacing the light bulb (take the cartridge fuse out of the fuse holder or switch off the automatic circuit breaker).
- It is very important to clean the hood and replace the filter at the recommended intervals. Failure to do so could cause grease deposits to build up, causing a fire hazard.

# Maintenance and care

- The hood must always be disconnected from the mains power supply before beginning any maintenance work.

## Metal grease filter

---

- The purpose of the grease filters is to aspirate grease particles which form during cooking and it must always be used, either in the external evacuation or internal recycling function.  
Attention: the metal grease filters must be removed and washed, either by hand or in the dishwasher, every four weeks.

## Open the metal grease filter

---

- Push it towards the back of the unit and then pull it down and out. Fig. 4.

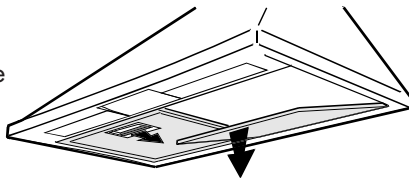


Fig. 4

### Hand washing

Soak grease filters for about one hour in hot water with a grease-loosening cleaner, then rinse off thoroughly with hot water. Repeat the process if necessary. Refit the grease filters when it are dry.

### Dishwasher machine

Place grease filters in dish washer. Select most powerful washing programme and highest temperature, at least 65°C. Repeat the process. Refit the grease filters when it are dry.

When washing the metal grease filter in the dishwasher a slight discoloration of the filter can occur, this does not have any impact on its performance.

- Clean the inner housing using a hot detergent solution only (never use caustic detergents, abrasive powders or brushes).

## Carbon filter

---

- The activated carbon filter should only be used if you want to use the hood in its filtering function.
- To do this you will need an original AEG activated carbon filter (see special accessories).
- This filter cannot be cleaned or reused.
- As a general rule, the activated carbon filter should be changed once every four months.
- Mounting – Fig. 5

Fit one carbon filter on the left and one on the right so to cover the plastic grids that protect the fan wheel, then turn clockwise the central handle of the carbon filter.

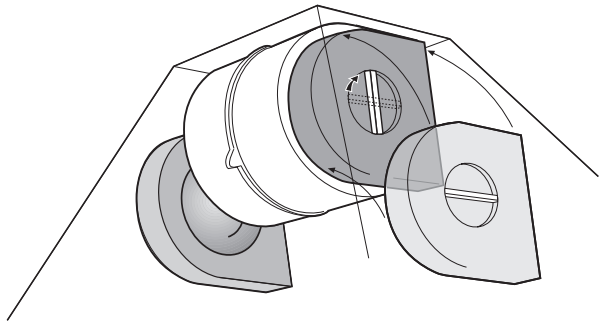


Fig. 5

- To dismount proceed in reverse order.
- Always specify the hood model code number and serial number when ordering replacement filters. This information is shown on the registration plate located on the inside of the unit.
- The activated carbon filter can be ordered from the AEG technical assistance service.

## Warning

- Failure to observe the instructions on cleaning the unit and changing the filters will cause a fire hazard. You are therefore strongly recommended to follow these instructions.
- The manufacturer declines all responsibility for any damage to the motor or any fire damage linked to inappropriate maintenance or failure to observe the above safety recommendations.

## Changing the light bulb

- Disconnect the unit from the mains power supply.
- Remove the lamp cover.
- Replace the old light bulb with a new light bulb (40 W max.).
- Fit the lamp cover on its seat.
- If the light does not come on, make sure the bulb has been screwed in correctly before contacting the technical assistance service.

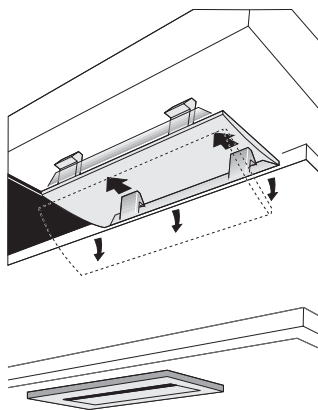


Fig. 6



# Cleaning

- Warning: always disconnect the hood from the mains power supply before cleaning it.  
Never insert pointed objects in the motor's protective grid.
- Wash the outside surfaces using a delicate detergent solution. Never use caustic detergents or abrasive brushes or powders.
- Only ever clean the switch panel and filter grille using a damp cloth and delicate detergents.
- It is extremely important to clean the unit and change the filters at the recommended intervals. Failure to do so will cause grease deposits to build up that could constitute a fire hazard.

# Special accessories

MKZ telescopic wall pipe	E-Nr. 610 899 004
outlet hose ABS120 - 120 mm Ø	942 118 611
Carbon filter KFF	942 118 627

# Technical assistance service

You are welcome to telephone our technical assistance service (see list of technical assistance centres) whenever you need information or in the unlikely event of a fault.

When calling, please be ready to specify:

1. The model code number
2. The serial number (E-Nr.)
3. The manufacturing number (F-Nr.)

This information is shown on the registration plate inside the unit behind the grease filter grille.

We reserve the right to change specifications and colours as a result of our policy of continuing technological development.

## Free Manuals Download Website

<http://myh66.com>

<http://usermanuals.us>

<http://www.somanuals.com>

<http://www.4manuals.cc>

<http://www.manual-lib.com>

<http://www.404manual.com>

<http://www.luxmanual.com>

<http://aubethermostatmanual.com>

Golf course search by state

<http://golfingnear.com>

Email search by domain

<http://emailbydomain.com>

Auto manuals search

<http://auto.somanuals.com>

TV manuals search

<http://tv.somanuals.com>