



3Com

Quick Start Guide

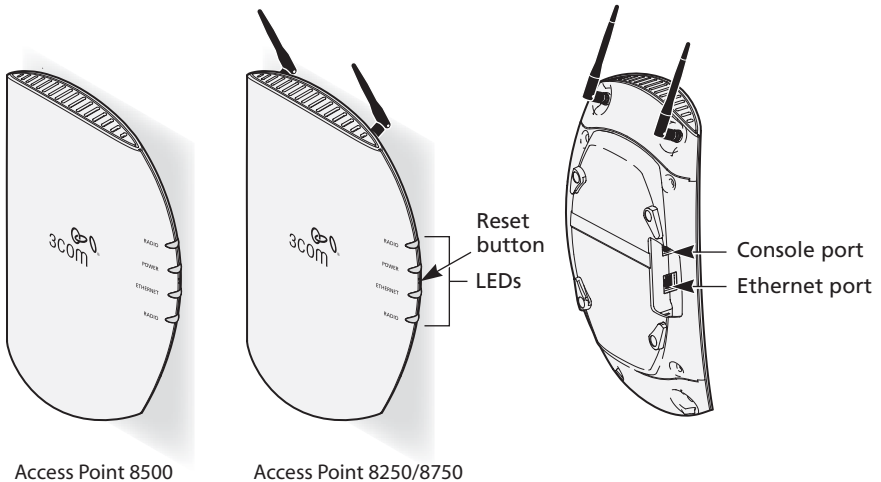
Wireless LAN Access Points 8250/8500/8750

3CRWE825075A
3CRWE850075A
3CRWE875075A

The 3Com Wireless LAN Access Points 8250, 8500, and 8750 offer enterprise network standard based security and complete centralized management, with flexible and expansive connectivity and scalability. They extend networks and boost productivity for centrally managed enterprises requiring scalable security solutions.



NOTE: This product must be installed by a professional technician/installer.



Access Point 8500

Access Point 8250/8750



Caution: Do not connect a telephone cable into the Console port; doing so can cause serious damage to the access point.

1 Before You Start

- n Make sure that you have the following items ready for the installation:
 - n 3Com Access Point 8250, 8500, or 8750
 - n Standard detachable antennas (Access Point 8250 or 8750)
 - n 3Com installation CD
 - n Ethernet category 5 straight cables (8-wire)
 - n For wall-mount installations you will need the following items:
 - Mounting plate
 - Mounting screws
 - Plastic anchors for drywall mounting
- n 3Com Integrated Power-over-Ethernet power supply and power cord
- n To use the Web configuration management system, you need a computer running one of the following operating systems and one of the following browsers:
 - n **Operating Systems:** Windows 98, Windows ME, Windows NT 4.0 (with the latest service pack), Windows 2000, or Windows XP.
 - n **Browsers:** Internet Explorer 5.0 or later. (Internet Explorer 5.5 is available on the installation CD.)

2 Prepare for Installation

It is advisable to connect the power and check the Ethernet cables and LEDs before installing the unit in a hard-to-reach location.

1 Observe the following power requirements:

The access point complies with the IEEE 802.3af power-over-Ethernet standard. It receives power over category 5 straight cable. Installation requires the use of either the 3Com power supply provided or IEEE 802.3af compliant power supply equipment (output power rated 48 V DC @ 350 mA maximum). Such equipment must be safety certified according to UL, CSA, IEC or other applicable national or international safety requirements for the country of use. All references to the power supply refer to equipment that meets these requirements.

Because the power supply plug is the only means of disconnecting the access point from power, make sure the power outlet is accessible.

The power supply can be located indoors at any point between the access point and the LAN access port where an accessible power outlet exists.

2 Decide where to place the access point.

- n Mounted on a wall on a stud (or other hard surface)
- n Mounted on to drywall
- n Placed on a flat surface

The location should be elevated and centrally located relative to users on your network. Ceiling mounting is not recommended.



NOTE: Regulatory restrictions dictate that when the access point is operational a minimum body-to-antenna distance of 1 meter (3 feet) must be maintained.

- 3 Record the access point MAC address in a safe place before the access point is installed in a hard-to-reach location. The MAC address is printed on the back of the access point housing.
- 4 Access Point 8250 or 8750: Carefully unpack the standard detachable antennas. Screw the antennas on to the SMA connectors and hand-tighten them. After network startup, you may need to adjust the antennas to fine-tune coverage in your area.



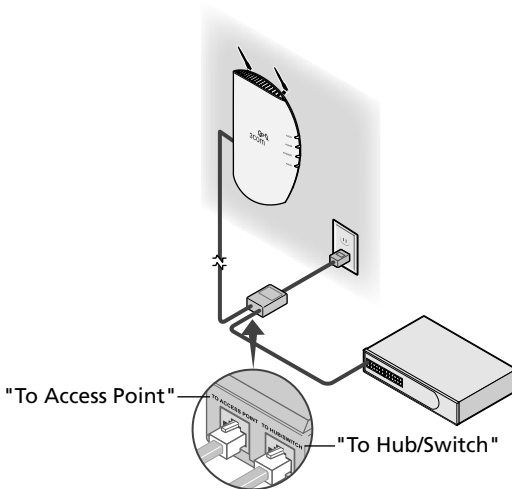
CAUTION: Do not handle the antenna tips, especially after they are connected to the access point, as this could lead to electrostatic discharge (ESD), which could damage the equipment.

The installation CD includes the User Guide, which contains more detailed information on planning, installing and configuring the device. Additional tools and utilities are provided to assist with the management of your network. See “Documentation and Software Utilities” on page 6 for instructions.

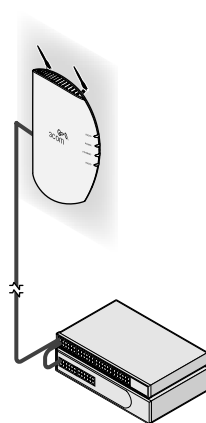
3 Connect the Power

The access point complies with the IEEE 802.3af power-over-Ethernet standard. It receives power over a standard category 5 straight (8-wire) Ethernet cable. There are two ways to supply power to the access point (refer to the illustration below):

- n Use the supplied 3Com Integrated Power-over-Ethernet power supply. In this case, you need to supply a second Ethernet cable to connect to the wired LAN.
- n Connect the access point directly to your own power-over-Ethernet hub or switch, which must also comply with the IEEE 802.3af standard.



Using the Power Supply



Using A Power-over-Ethernet LAN Port

Using the Power Supply

The power supply can be located at any point between the access point and the LAN access port, wherever a convenient power outlet exists. If you supply your own Ethernet cable for connecting power, be sure that it is standard category 5 straight-through (8-wire) cable that has not been altered in any way. Use of nonstandard cable could damage the access point.

Refer to the illustration above, and follow these steps:

- 1 Connect one end of the Ethernet cable to the Ethernet port on the access point.
- 2 Connect the other end of the Ethernet cable to the port labeled *To Access Point* on the power supply.
- 3 Connect the power cord to the power supply and plug the cord into a power outlet.

- To link the access point to your Ethernet network, plug one end of another Ethernet cable into the port labeled *To Hub/Switch* on the power supply, and plug the other end into a LAN port (on a hub or in a wall).



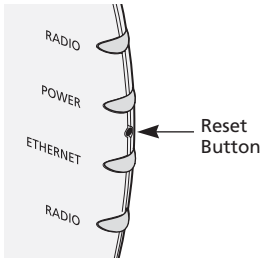
CAUTION: To avoid damaging network equipment, make sure that the cables are connected from access point to power supply to LAN as shown and described above.

Using a Power-Over-Ethernet LAN Port

If your LAN equipment complies with the IEEE 802.3af power-over-Ethernet standard, you can connect the access point directly to a LAN port. For example, the illustration above right shows a connection through a 3Com Ethernet Power Supply to a 3Com SuperStack® Switch.

4 Check the LEDs

When power is connected, the access point LEDs light. The illustration and the following table describe the LEDs and their functions.



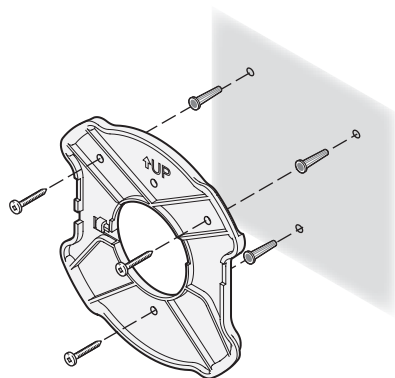
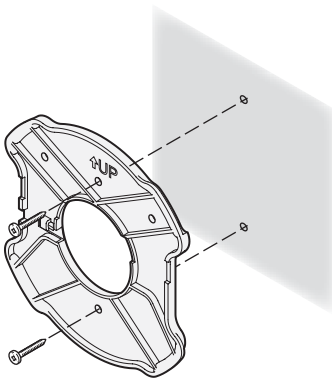
Name	Description
Radio	LED blinks red to indicate radio activity. Faster blinking indicates more activity.
Power	LED lights green when operational code is running.
Reset Button	Press this button in for 15 seconds to restore the factory defaults.
Ethernet	LED lights yellow when Ethernet link is established. LED blinks to indicate activity on the Ethernet. Faster blinking indicates more activity.
Radio	LED blinks red to indicate radio activity. Faster blinking indicates more activity. This LED is only active when a second radio is installed.

5 Wall Mount Installation

- Install the mounting plate as shown in the following illustration, on either a stud (or other hard wall surface), or onto drywall.

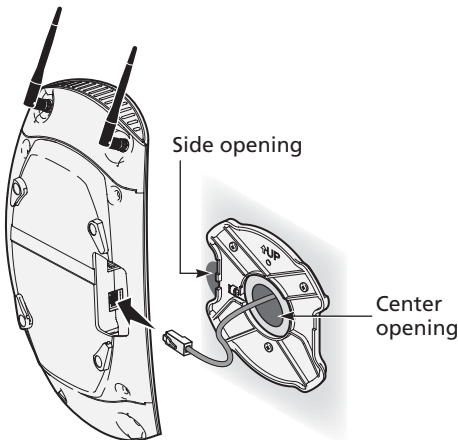
If installing into a stud or other secure vertical surface, use 2 screws.

If installing into drywall, use 3 plastic anchors and 3 screws.

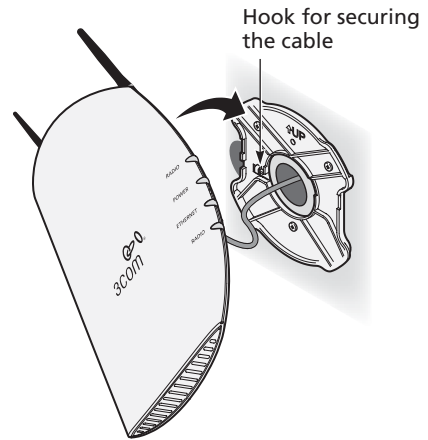


- n Allow for a clearance of at least 25 cm (10 Inches) between the ceiling and the top of the mounting plate.
 - n Make sure that "UP" is correctly oriented, and align the mounting plate screw holes vertically.
 - n For installation on a wall stud, install the top screw into the stud, as shown at left in the illustration, and then vertically align the mounting plate before installing the bottom screw.
 - n For installation on to drywall, mark three screw holes using the mounting plate as a template for vertical alignment, as shown at right in the illustration above.
 - n Use a 5-mm (3/16-in.) drill bit if using the plastic anchors provided.
 - n For drywall mounts, you can route the cable through either a side or center opening for a seamless appearance using one of the methods illustrated below. Alternatively, you can simply attach the Ethernet cable to the side of the unit, allowing it to trail along the wall.
 - n If you have routed the Ethernet cable through the center opening, secure the cable on the hook located on the mounting plate as shown in the illustration below.
- 2 Connect the Ethernet cable to the Ethernet port on the access point.
 - 3 Position the access point at an angle to the mounting plate bayonet connection and turn the unit clockwise until it snaps into place, as shown below.

Leave at least 13 cm (5 in.) length.
Ethernet cable may be routed through
center opening or through the side.



Hold the access point at an angle. Turn
clockwise to engage and secure it on
the mounting plate.



6 Flat Surface Installation

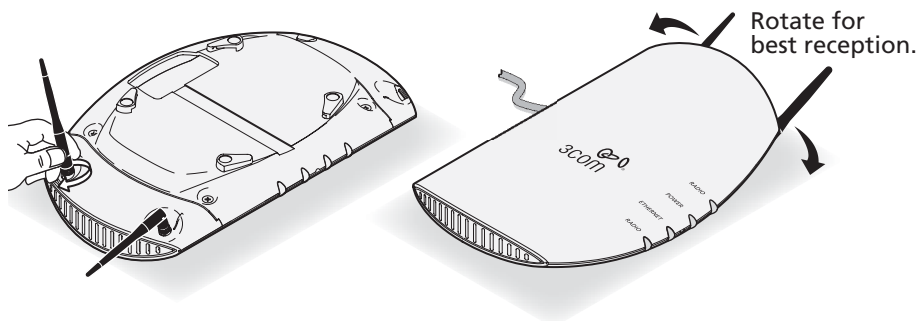
- 1 Find a clean and dry surface that is elevated enough to provide good reception and coverage for the network. Do not place the access point on a metal surface.
- 2 Make sure to choose a location where the access point will not be disturbed.
- 3 Connect the Ethernet cable into the Ethernet port.
- 4 Set the access point down on a flat, level surface.

7 Antenna Adjustment (Access Point 8250/8750)

Position the antennas so that they turn away from the access point at approximately a 45-degree angle. Your particular location might require additional antenna adjustment.



CAUTION: Do not handle the antenna tips, especially after they are connected to the access point, as this could lead to electrostatic discharge (ESD), which could damage the equipment.



8 Documentation and Software Utilities

The installation CD includes documentation and software utilities to help you set up and administer the wireless components of your network. To view product documentation, select *View the Documentation* from the CD Startup Menu and then select the item you wish to view. To install utilities, select *Tools and Utilities* from the CD Startup Menu. Select the items you wish to install and follow the onscreen instructions. The software Tools and Utilities include:

- n **3Com Wireless Infrastructure Device Manager.** Use this tool to discover access points and select devices for administrative changes. Uninstall any previous versions before installing this version.
- n **3Com 3CDaemon Server Tool.** This tool can act in four different capacities:
 - n As a TFTP Server, necessary for firmware upgrades, and backup and restore functions. Use this option if you do not have a TFTP server set up.
 - n As a SysLog Server, which is necessary to view SysLog messages.
 - n As an optional TFTP Client.
 - n As an optional FTP Server.
- n **3Com Network Supervisor.** The 3Com Network Supervisor (3NS) graphically discovers, maps, and displays network links and IP devices, including 3Com wireless access points. It is not required for access point management.
- n **3Com Site Survey Tool.** This utility assists in selecting the best location for your access point before installing the device permanently. Use the Site Survey Tool to determine if the intended mounting locations will provide adequate coverage with good signal strength and quality.
- n **Internet Explorer 5.5.** This browser is included for your those who do not have a suitable browser.

9 Configuration Notes

- n For a new access point installation, the default WLAN Service Area (ESSID) is 3Com and no security is set. Unless it detects a DHCP server on the network, the access point uses Auto IP to assign an IP address of the form 169.254.2.1.
- n Use the 3Com Wireless Infrastructure Device Manager to locate 3Com Wireless LAN devices and launch their configurations. When installing the device manager, make sure the computer is connected to the same network as the device to be configured. After installing and launching the device manager, select the device to be configured from network tree and click Configure to launch the configuration Web interface. Refer to the Access Points 8250/8500/8750 User Guide (included on the installation CD) for detailed information and instructions on locating and configuring access points.
- n If you experience difficulty with the installation, see the Troubleshooting section of the User Guide.

For the latest information, see the 3Com Corporation World Wide Web site: <http://www.3com.com/>.

Copyright © 2003 3Com Corporation. All rights reserved. 3Com, the 3Com logo, and SuperStack are registered trademarks of 3Com Corporation. All other company and product names may be trademarks of the respective companies with which they are associated.

09-2326-000 Rev AA
Published September 2003

Download from Www.Somanuals.com. All Manuals Search And Download.

Free Manuals Download Website

<http://myh66.com>

<http://usermanuals.us>

<http://www.somanuals.com>

<http://www.4manuals.cc>

<http://www.manual-lib.com>

<http://www.404manual.com>

<http://www.luxmanual.com>

<http://aubethermostatmanual.com>

Golf course search by state

<http://golfingnear.com>

Email search by domain

<http://emailbydomain.com>

Auto manuals search

<http://auto.somanuals.com>

TV manuals search

<http://tv.somanuals.com>