



MOTOROLA

**PrPMC800/800ET Processor PMC
Module**

Installation and Use

PRPMC800A/IH5

June 2006 Edition

© Copyright 2001, 2002, 2003, 2006 Motorola, Inc.

All Rights Reserved.

Printed in the United States of America.

Motorola and the Motorola symbol are registered trademarks of Motorola, Inc.

CompactPCI is a registered trademark of PCI Industrial Computer Manufacturers Group.

All other products mentioned in this document are trademarks or registered trademarks of their respective holders.

Safety Summary

The following general safety precautions must be observed during all phases of operation, service, and repair of this equipment. Failure to comply with these precautions or with specific warnings elsewhere in this manual could result in personal injury or damage to the equipment.

The safety precautions listed below represent warnings of certain dangers of which Motorola is aware. You, as the user of the product, should follow these warnings and all other safety precautions necessary for the safe operation of the equipment in your operating environment.

Ground the Instrument.

To minimize shock hazard, the equipment chassis and enclosure must be connected to an electrical ground. If the equipment is supplied with a three-conductor AC power cable, the power cable must be plugged into an approved three-contact electrical outlet, with the grounding wire (green/yellow) reliably connected to an electrical ground (safety ground) at the power outlet. The power jack and mating plug of the power cable meet International Electrotechnical Commission (IEC) safety standards and local electrical regulatory codes.

Do Not Operate in an Explosive Atmosphere.

Do not operate the equipment in any explosive atmosphere such as in the presence of flammable gases or fumes. Operation of any electrical equipment in such an environment could result in an explosion and cause injury or damage.

Keep Away From Live Circuits Inside the Equipment.

Operating personnel must not remove equipment covers. Only Factory Authorized Service Personnel or other qualified service personnel may remove equipment covers for internal subassembly or component replacement or any internal adjustment. Service personnel should not replace components with power cable connected. Under certain conditions, dangerous voltages may exist even with the power cable removed. To avoid injuries, such personnel should always disconnect power and discharge circuits before touching components.

Use Caution When Exposing or Handling a CRT.

Breakage of a Cathode-Ray Tube (CRT) causes a high-velocity scattering of glass fragments (implosion). To prevent CRT implosion, do not handle the CRT and avoid rough handling or jarring of the equipment. Handling of a CRT should be done only by qualified service personnel using approved safety mask and gloves.

Do Not Substitute Parts or Modify Equipment.

Do not install substitute parts or perform any unauthorized modification of the equipment. Contact your local Motorola representative for service and repair to ensure that all safety features are maintained.

Observe Warnings in Manual.

Warnings, such as the example below, precede potentially dangerous procedures throughout this manual. Instructions contained in the warnings must be followed. You should also employ all other safety precautions which you deem necessary for the operation of the equipment in your operating environment.



To prevent serious injury or death from dangerous voltages, use extreme caution when handling, testing, and adjusting this equipment and its components.

Flammability

All Motorola PWBs (printed wiring boards) are manufactured with a flammability rating of 94V-0 by UL-recognized manufacturers.

EMI Caution



This equipment generates, uses and can radiate electromagnetic energy. It may cause or be susceptible to electromagnetic interference (EMI) if not installed and used with adequate EMI protection.

CE Notice (European Community)



This is a Class A product. In a domestic environment, this product may cause radio interference, in which case the user may be required to take adequate measures.

Motorola products with the CE marking comply with the EMC Directive (89/336/EEC). Compliance with this directive implies conformity to the following European Norms:

EN55022 "Limits and Methods of Measurement of Radio Interference Characteristics of Information Technology Equipment"; this product tested to Equipment Class A

EN 300 386 V.1.2.1 "Electromagnetic compatibility and radio spectrum matters (ERM); Telecommunication network equipment; Electromagnetic compatibility (EMC) requirements"

Board products are tested in a representative system to show compliance with the above mentioned requirements. A proper installation in a CE-marked system will maintain the required EMC performance.

In accordance with European Community directives, a "Declaration of Conformity" has been made and is available on request. Please contact your sales representative.

Notice

While reasonable efforts have been made to assure the accuracy of this document, Motorola, Inc. assumes no liability resulting from any omissions in this document, or from the use of the information obtained therein. Motorola reserves the right to revise this document and to make changes from time to time in the content hereof without obligation of Motorola to notify any person of such revision or changes.

Electronic versions of this material may be read online, downloaded for personal use, or referenced in another document as a URL to the Motorola website. The text itself may not be published commercially in print or electronic form, edited, translated, or otherwise altered without the permission of Motorola, Inc.

It is possible that this publication may contain reference to or information about Motorola products (machines and programs), programming, or services that are not available in your country. Such references or information must not be construed to mean that Motorola intends to announce such Motorola products, programming, or services in your country.

Limited and Restricted Rights Legend

If the documentation contained herein is supplied, directly or indirectly, to the U.S. Government, the following notice shall apply unless otherwise agreed to in writing by Motorola, Inc.

Use, duplication, or disclosure by the Government is subject to restrictions as set forth in subparagraph (b)(3) of the Rights in Technical Data clause at DFARS 252.227-7013 (Nov. 1995) and of the Rights in Noncommercial Computer Software and Documentation clause at DFARS 252.227-7014 (Jun. 1995).

Motorola, Inc.
Embedded Communications Computing
2900 South Diablo Way
Tempe, Arizona 85282

Contents

About This Manual	xv
1 Preparation and Installation	1
Introduction	1
PrPMC800/800ET Description	1
Monarch and Non-Monarch PrPMCs	2
Carrier Board Requirements	2
System Enclosure	2
Overview of Start-Up Procedures	3
Unpacking the Hardware	4
Preparing the Hardware	4
PrPMC800/800ET Configuration	4
Harrier Power-Up Configuration Header	5
Installation	7
ESD Precautions	7
Installation of PrPMC800/800ET on a VME or CompactPCI Board	7
2 Operating Instructions	9
Introduction	9
Applying Power	9
<i>Status LEDs and Port Connections</i>	10
Status Indicators	10
Debug Serial Port	11
Ethernet Port Adapter Cable	11
3 Functional Description	13
Introduction	13
Features	13
General Description	14
Block Diagram	15
Processor	16
L2 Cache	16
Harrier System Memory Controller / PCI Host Bridge ASIC	16
Harrier Power-Up Configuration	17
Arbitration	19
Flash Memory	19
Onboard Bank A Flash	20
Optional Bank B Flash	20

ECC Memory	20
Onboard SDRAM	20
SROM	20
10BaseT/100BaseTX Ethernet Channel	21
Miscellaneous Control and Status	21
Timers	21
32-Bit Timers	21
Watchdog Timers	22
Interrupt Routing and Generation	22
Asynchronous Serial Port	22
Clock Generator	22
PrPMC800/800ET Power Supplies	23
Module Reset Logic	23
PCI Interface	24
PRESENT# Signal	25
MONARCH# Signal	25
INTA#-INTD# Signals	25
IDSELB, REQB#, and GNTB# Signals	25
M66EN Signal	25
RESETOUT_L Signal	25
EReady Signal	26
PCI Signaling Voltage Level	26
Debug Header	26
ABORT# and RESET# Signals	26
Harrier Power-Up Configuration Header	26
On-Board LEDs	26
Memory Maps	27
4 Connector Pin Assignments	29
Introduction	29
PCI Mezzanine Card (PMC) Connectors	29
Ethernet Adapter Connector	35
Debug Header	35
Harrier Power-Up Configuration Header	37
Debug Serial Port Cable	38
5 PPCBug	39
Overview	39
PPCBug Basics	39
Memory Requirements	40
PPCBug Implementation	40
MPU, Hardware, and Firmware Initialization	41
Using PPCBug	42
Debugger Commands	43
Diagnostic Tests	46

6	Modifying the Environment	49
	Overview	49
	CNFG – Configure Board Information Block	49
	ENV – Set Environment	50
	Configuring the PPCBug Parameters	50
A	Specifications	57
	Specifications	57
	Mechanical Characteristics	57
	Electrical Characteristics	57
	Environmental Characteristics	58
	EMC Compliance	58
B	Thermal Validation	59
	Overview	59
	Thermally Significant Components	59
	Component Temperature Measurement	62
	Preparation	62
	Measuring Junction Temperature	63
	Measuring Case Temperature	63
	Measuring Local Air Temperature	63
C	Related Documentation	65
	Embedded Communications Computing Documents	65
	Manufacturers' Documents	66
	Related Specifications	67

List of Figures

Figure 1-1. PrPMC800/800ET Headers, Connectors and Components	6
Figure 1-2. Installing a PrPMC800/800ET on a VME module	8
Figure 2-3. PrPMC800/800ET Debug Serial Port Configuration	11
Figure 3-1. PrPMC800/800ET Block Diagram	15
Figure 3-2. PrPMC800/800ET Reset Block Diagram	24
Figure B-1. Thermally Significant Components (Primary Side)	61
Figure B-2. Thermally Significant Components (Secondary Side)	62
Figure B-3. Measuring Local Air Temperature	63
Figure B-4. Mounting a Thermocouple Under a Heatsink	64

List of Tables

Table 2-1. PrPMC800/800ET Models/Configurations	xv
Table 2-2.	xvii
Table 1-3. Start-Up Overview	3
Table 1-4. J2 Harrier Power-Up Configuration Header Pin Assignments	5
Table 3-1. PrPMC800/800ET Features	13
Table 3-2. Harrier Power-Up Configuration Settings	17
Table 3-3. PPC to PCI Clock Ratios	22
Table 3-4. Reset Source Functions	23
Table 4-1. PMC Connector P11 Pin Assignments	29
Table 4-2. PMC Connector P12 Pin Assignments	31
Table 4-3. PMC Connector P13 Pin Assignments	32
Table 4-4. PMC Connector P14 Pin Assignments	33
Table 4-5. J3 Ethernet Adapter Connector Pin Assignments	35
Table 4-6. J1 Debug Header Pin Assignments	35
Table 4-7. J2 Harrier Power-Up Configuration Header Pin Assignments	37
Table 4-8. PrPMC Cable-001 Termination	38
Table 5-1. Debugger Commands	43
Table 5-2. Diagnostic Test Groups	46
Table A-1. Power Requirements for PrPMC800/800ET	57
Table B-1. Thermally Significant Components	60
Table C-1. Embedded Communications Computing Documents	65
Table C-2. Manufacturers' Documents	66
Table C-3. Related Specifications	67

About This Manual

PrPMC800/800ET Processor PMC Module Installation and Use provides information for installation and configuration of the PrPMC800/800ET, including jumper settings and installation procedures. It also includes descriptions of various components' functions, connector pinout information, and a general description of the PPCBug firmware used with the board.

Information in this manual applies to Motorola boards that are compatible with the PowerPC™ instruction set architecture and that use PPCBug as their resident debugger program. The majority of these boards, including most Processor PMC, VME, CompactPCI® and ATX form factors, are equipped with PPCBug.

This document is limited to the installation and use instructions. For programming information, refer to the *Harrier ASIC Programmer's Reference Guide* and the *PrPMC800/800ET Processor PMC Module Programmer's Reference Guide*.

The following table lists the various model numbers and configurations for the PrPMC800/800ET. Note that some of the models listed below qualify as Class B devices. If you require a Class B device, contact your Motorola sales representative for specific models and configurations that meet those requirements.

Table 2-1. PrPMC800/800ET Models/Configurations

Model Number PrPMC800	Processor / Speed	L2 Cache	Memory	Ethernet	PCI Bus Speed
PrPMC800-5251	MPC750 Class/ 450 MHz	1MB	128MB	Front	33 MHz
PrPMC800-5261	MPC750 Class/ 450 MHz	1MB	256MB	Front	33 MHz
PrPMC800-5271	MPC750 Class/ 450 MHz	1MB	512MB	Front	33 MHz
PrPMC800-1261	MPC7410/ 450 MHz	2MB	256MB	Front	33 MHz
PrPMC800-1271	MPC7410/ 450 MHz	2MB	512MB	Front	33 MHz
PrPMC800-5259	MPC750 Class/ 450 MHz	1MB	128MB	Rear	33 MHz
PrPMC800-5269	MPC750 Class/ 450 MHz	1MB	256MB	Rear	33 MHz
* Industrial temperature models For RoHS compliant models of these boards, please contact your local Motorola sales representative.					

Table 2-1. PrPMC800/800ET Models/Configurations (continued)

Model Number PrPMC800	Processor / Speed	L2 Cache	Memory	Ethernet	PCI Bus Speed
PrPMC800-5279	MPC750 Class/ 450 MHz	1MB	512MB	Rear	33 MHz
PrPMC800-1259	MPC7410/ 450 MHz	2MB	128MB	Rear	33 MHz
PrPMC800-1269	MPC7410/ 450 MHz	2MB	256MB	Rear	33 MHz
PrPMC800-1279	MPC7410/ 450 MHz	2MB	512MB	Rear	33 MHz
PrPMC800-1251	MPC7410/ 450 MHz	2MB	128MB	Front	33 MHz
PrPMC800-2251	MPC7410/ 450 MHz	2MB	128MB	None	66 MHz Capable
PrPMC800-6251	MPC750 Class/ 450 MHz	1MB	128MB	None	66 MHz Capable
PrPMC800-6271	MPC750 Class/ 450 MHz	1MB	512MB	None	66 MHz Capable
PrPMC800-2261	MPC7410/ 450 MHz	2MB	256MB	None	66 MHz Capable
PrPMC800-2271	MPC7410/ 450 MHz	2MB	512MB	None	66 MHz Capable
PrPMC800-1361*	MPC7410/500M Hz	2MB	256MB	Front	33MHz Capable
PrPMC800-1369*	MPC7410/500M Hz	2MB	256MB	Rear	33MHz Capable
PrPMC800-2361*	MPC7410/500M Hz	2MB	256MB	None	66MHz Capable
<p>* Industrial temperature models For RoHS compliant models of these boards, please contact your local Motorola sales representative.</p>					

Summary of Changes

The following changes have been made to this manual.

Table 2-2.

Date	Doc. Rev.	Changes
6/2006	PRPMC800A/IH5	Updated Model and Configuration Table per EOL product list.
9/2003	PRPMC800A/IH4	Updates include processor core frequencies, Ethernet chip to include 82551IT, board temperature specifications. New model numbers were added to the <i>Models/Configurations</i> table to reflect the availability of industrial temperature board configurations.
01/2002	PRPMC800A/IH3	New model numbers were added to the <i>Models/Configurations</i> table preceding this section to reflect the availability of low-power board configurations. The <i>Functional Description</i> (Chapter 3) and <i>Specifications</i> (Appendix B) were updated.
09/2001	PRPMC800A/IH2	New model numbers were added to the <i>Models/Configurations</i> table preceding this section to reflect the 512MB memory upgrade.

Overview of Contents

Chapter 1, Preparation and Installation, provides a general description of the PrPMC800/800ET including a summary of the basic features and architecture. It also includes a brief discussion of the monarch and non-monarch use of this board, and the carrier board requirements when the PrPMC800/800ET is being used as a monarch. The remainder of the chapter includes an overview of the start-up procedures, general information on unpacking and hardware preparation, and installation instructions.

Chapter 2, Operating Instructions, contains a section on applying power, a brief description of status LEDs and debug serial ports.

Chapter 3, Functional Description, provides a list of the main features of the PrPMC800/800ET. It also provides a general description of the board, a block diagram, and subsections on all of the major components on the board, including configuration settings for the Harrier ASIC. In addition, it also describes various key functions such as arbitration, setting flash memory, memory size settings and system registers.

Chapter 4, Connector Pin Assignments, includes tables of pin assignments for all connectors and headers on the board.

Chapter 5, PPCBug, includes a general discussion of PPCBug, the initialization process and steps, and a brief summary of the use of PPCBug with a list of current commands. A list of the current Diagnostic Test Groups is also included.

Chapter 6, Modifying the Environment, provides a general overview of how to change various parameters within PPCBug firmware. It discusses two main commands: ENV and CNFG.

Appendix A, Specifications, provides basic mechanical, electrical and environmental specifications for the PrPMC800/800ET, as well as a section on Thermal Validation offering information on thermally significant components and an overview of how to measure various junction and case temperatures.

Appendix B, Thermal Validation, provides systems integrators with information which can be used to conduct thermal evaluations of the board in their specific system configuration.

Appendix C, Related Documentation, provides a list of other Motorola Embedded Communications Computing related documents, applicable Manufacturer's (vendor) documents, and a list of related specifications. Comments and Suggestions

Motorola welcomes and appreciates your comments on its documentation. We want to know what you think about our manuals and how we can make them better. Mail comments to:

Embedded Communications Computing
Reader Comments DW164
2900 S. Diablo Way
Tempe, Arizona 85282

You can also submit comments to the following e-mail address: eccrc@motorola.com.

In all your correspondence, please list your name, position, and company. Be sure to include the title and part number of the manual and tell how you used it. Then tell us your feelings about its strengths and weaknesses and any recommendations for improvements.

Conventions Used in This Manual

The following typographical conventions are used in this document:

bold

is used for user input that you type just as it appears. Bold is also used for commands, options and arguments to commands, and names of programs, directories and files.

italic

is used for names of variables to which you assign values. Italic is also used for comments in screen displays and examples, and to introduce new terms.

courier

is used for system output (for example, screen displays, reports), examples, and system prompts.

<Enter>, <Return> or <CR>

<CR> represents the carriage return or Enter key.

CTRL

represents the Control key. Execute control characters by pressing the Ctrl key and the letter simultaneously, for example, **Ctrl-d**.

|

separates two or more items from which to choose (one only)

[]

encloses an optional item that may not occur at all, or may occur once.

{ }

encloses an optional item that may not occur at all, or may occur one or more times.

A character precedes a data or address parameter to specify the numeric format, as follows (if not specified, the format is hexadecimal):

\$	dollar	
0x	Zero-x	a hexadecimal character
%	percent	a binary number
&	ampersand	a decimal number

Data and address sizes are defined as follows:

A *byte* is eight bits, numbered 0 through 7, with bit 0 being the least significant.

A *half-word* is 16 bits, numbered 0 through 15, with bit 0 being the least significant.

A *word* is 32 bits, numbered 0 through 31, with bit 0 being the least significant.

The MPU on the board is programmed to big-endian byte ordering. Any attempt to use little-endian byte ordering will immediately render the debugger unusable.

Note References to processor bus support via the Harrier ASIC relate specifically to the MPC60x-class bus mode. They do not imply support of any other PowerPC-architecture bus mode.

Introduction

This chapter provides a brief description of the PrPMC800/800ET Processor PMC Module, and instructions for preparing and installing the hardware.

In this manual, the name PrPMC800/800ET refers to all models of the PrPMC800/800ET series boards, unless otherwise specified. These are add-on modules intended for use with any host carrier board that accepts a PMC or PrPMC module.

PrPMC800/800ET Description

The PrPMC800/800ET is a single-width, standard-length and standard-height Processor PCI Mezzanine Card (PrPMC) board. It is compatible with the PowerPlus III architecture and consists of an MPC750-class or MPC7410 processor and the Harrier PCI-Host bridge/system memory controller ASIC. The PrPMC800/800ET features 1MB or 2MB of L2 cache (depending upon the configuration/version being used), 32MB of flash memory (a second bank of flash can be located on the baseboard and accessed through the PMC P14 connector), one bank of SDRAM (64MB to 512MB) onboard, a 10BaseT/100BaseTX Ethernet channel based on the Intel 82559ER/82551IT device and an RS-232 transceiver providing debug capabilities through one of the Harrier UART channels.

Four 64-pin PMC connectors on the PrPMC800/800ET are used to connect the PrPMC800/800ET to the host board. One right-angle 20-pin connector located on the primary side of the PrPMC800/800ET provides an interface to the asynchronous serial port and the processor JTAG/COP port, along with the RESET# and ABORT# signals used for debug support. The serial port and JTAG/COP interfaces, along with the ABORT_L signal, are also routed to the PMC P14 connector for host board access.

Connectivity to the Ethernet channel is provided either by a front panel connector or by rear I/O via the P14 connector. The build option determines the connection method. Models of this board configured for Ethernet routing via the Pn4 do not have a front bezel.

The PrPMC800/800ET module can operate as a monarch (master) for the baseboard, or as a slave processor PMC, depending on the state of the MONARCH# signal from the PMC P12 connector. When configured as the monarch, the PrPMC800/800ET enumerates the PCI bus, and monitors and services the four PCI interrupts. If configured to operate in the non-monarch mode, the PrPMC800/800ET module does not enumerate the bus or service interrupts, but it may generate a PCI interrupt. The following section describes these modes of operation in greater detail.

Monarch and Non-Monarch PrPMCs

The traditional concept of host/master and slave/target processors changes with the inception of the PrPMC because of the arbiter and clock source. Traditionally located on the host board, these functions are not part of the PrPMC800/800ET. The VITA 32 specification defines the terms monarch and non-monarch to refer to these two modes of operation for PrPMCs. A monarch PrPMC is defined as the main PCI bus PrPMC (or CPU) that performs PCI bus enumeration at power-up or reset and acts as the PCI interrupt handler. The non-monarch is a slave/target processor that does not perform bus enumeration and does not service PCI interrupts but may generate a PCI interrupt to the host processor.

A system may have one monarch PrPMC800/800ET and/or one or more non-monarch PrPMC800/800ETs, creating a loosely coupled multiprocessing system. A PrPMC800/800ET operating as a monarch may be mated to a carrier board with slave processors, PCI, and other I/O devices. A PrPMC800/800ET operating as a non-monarch may be installed on a carrier with a host processor and other PCI devices, such as an MVME2400 or an MCPN765 board. PPCBug does not support all of the operating characteristics of a PrPMC800/800ET operating as a non-monarch. Consequently, another operating system, such as a Real-Time Operating System, may be required.

The PrPMC800/800ET firmware PPCBug is configured to operate as either a monarch or non-monarch by reading the state of the MONARCH# pin on the PrPMC800/800ET. This pin is either grounded or left open on the carrier board to enable the desired mode of operation. Refer to the MONARCH# signal explanation on page 25 of this manual for more information.

Carrier Board Requirements

A carrier board must provide the standard PCI interface, including 3.3V and 5V power (the PrPMC800/800ET only requires 3.3V), PCI address/control, a PCI clock, and two PCI arbiter REQ/GNT pairs (refer to the VITA-32-199x specification for more information). The carrier board must also ground the MONARCH# pin to enable the monarch operating mode. Leaving the MONARCH# pin open enables the non-monarch mode. Additionally, board models PrPMC800-2151, -2161, -2241, -2251, -2261, -2361, -2271, -6241, -6251, -6261, and -6271 may be configured for 66 MHz PCI operation. To enable this mode, the M66EN pin must be pulled up on the baseboard.

System Enclosure

The system enclosure requirements are determined by the configuration and architecture of the baseboard (either VME, CompactPCI, or custom). Only a single slot is necessary for both the baseboard and the attached PrPMC800/800ET in a VME or CompactPCI chassis.

Overview of Start-Up Procedures

The following table lists the things you need to do before you can use this board and tells where to find the information you need to perform each step. Be sure to read this entire chapter, including all Cautions and Warnings, before you begin.

Table 1-3. Start-Up Overview

What you need to do ...	Refer to ...	On page ...
Unpack the hardware.	Unpacking the PrPMC800/800ET Hardware	4
Make any settings or adjustments on the PrPMC800/800ET module.	Preparing the PrPMC800/800ET Hardware	4
	<i>PrPMC800/800ET Configuration Considerations</i>	4
Prepare any other optional devices or equipment you will be using.	For more information on optional devices and equipment, refer to the documentation provided with that equipment.	
Install the PrPMC800/800ET on the baseboard.	Installation of a PrPMC800/800ET on a VME or CompactPCI board	7
Connect any other optional devices or equipment you will be using.	<i>Connector Pin Assignments</i>	29
	For more information on optional devices and equipment, refer to the documentation provided with that equipment.	
Power up the system.	Status Indicators	10
	You may also wish to obtain the <i>PPCBug Diagnostics Manual</i> , listed in Appendix C, <i>Related Documentation</i> .	65
Examine the environmental parameters and make any changes needed.	ENV - Set Environment	50
	You may also wish to obtain the <i>PPCBug Firmware Package User's Manual</i> , listed in Appendix C, <i>Related Documentation</i> .	65
Program the PrPMC800/800ET module and PMCs as needed for your applications.	<i>Preparing the PrPMC800/800ET Hardware</i>	4
	You may also wish to obtain the <i>PrPMC800/800ET Processor PMC Module Programmer's Reference Guide</i> , listed in Appendix C, <i>Related Documentation</i> .	65

Unpacking the Hardware

Note If the shipping carton(s) is/are damaged upon receipt, request that the carrier's agent be present during the unpacking and inspection of the equipment.

Unpack the equipment from the shipping carton(s). Refer to the packing list(s) and verify that all items are present. Save the packing material for storing and reshipping of equipment.



Caution

Avoid touching areas of integrated circuitry; static discharge can damage circuits.

Preparing the Hardware

To produce the desired configuration and ensure proper operation of the PrPMC800/800ET, you may need to carry out certain modifications before and after installing the modules.

The following paragraphs discuss the preparation of the PrPMC800/800ET hardware components prior to installing them into a chassis and connecting them.

PrPMC800/800ET Configuration

The PrPMC800/800ET provides software control over most options. By setting bits in control registers, after installing the PrPMC800/800ET in a system, you can modify its configuration. Refer to [Table 1-4 on page 5](#) for information on the Harrier Power-Up Configuration header, which provides access for configuration control. The PrPMC800/800ET control registers are described in detail in the *PrPMC800/800ET Processor PMC Module Programmer's Reference Guide* and the *Harrier ASIC Programmer's Reference Guide* as listed in [Appendix C, Related Documentation](#).

[Figure 1-1 on page 6](#) shows the placement of headers, connectors, and components on the PrPMC800/800ET. The PrPMC800/800ET was factory tested and is shipped with the configurations described in the following sections. It contains a factory-installed debug monitor, PPCBug, which operates with those factory settings.

Harrier Power-Up Configuration Header

A 2mm, 16-pin low profile header located on side 1 of the PrPMC800/800ET provides the means to change some of the Harrier power-up configuration settings. The pin assignments for this header, along with the power-up setting with the jumper on or off, are as follows (boards are shipped with all jumpers off):

Table 1-4. J2 Harrier Power-Up Configuration Header Pin Assignments

J2	Jumper On	Jumper Off
1-2	PUST0 = 0 Harrier PUST Bit 0 in GCSR Register.	PUST0 = 1
3-4	PUST1 = 0 Harrier PUST Bit 1 in GCSR Register	PUST1 = 1
5-6	PUST2 = 0 Harrier PUST Bit 2 in GCSR Register	PUST2 = 1
7-8	PUST3 = 0 Harrier PUST Bit 2 in GCSR Register	PUST3 = 1
9-10	Hold off Configuration Space access	Configuration Space access enabled
11-12	Processor held in reset at power-up	Processor enabled at power-up
13-14	Class Code set for I2O Controller"	Class Code set for "Bridge Device"
15-16	Xport 1 uses normal data byte ordering	Xport 1 uses Hawk data byte ordering

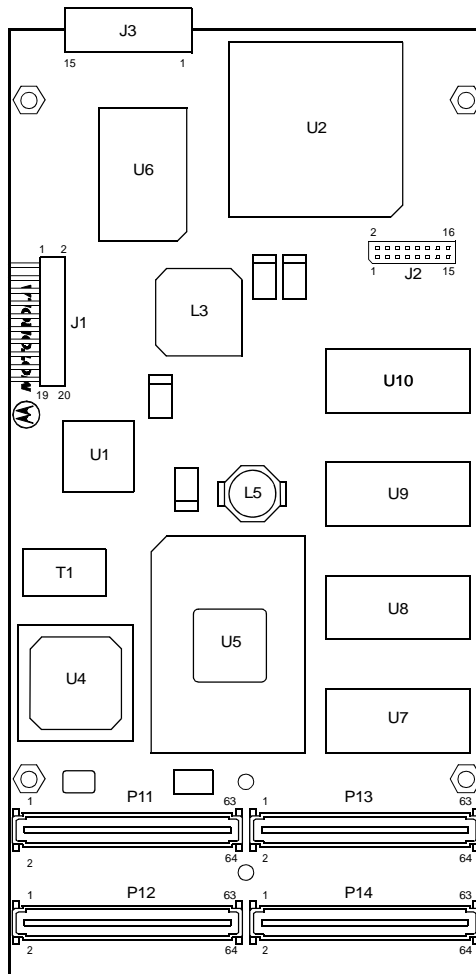


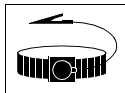
Figure 1-1. PrPMC800/800ET Headers, Connectors and Components

Installation

The following instructions tell how to install the PrPMC800/800ET on a typical VME or CompactPCI single board computer. The PrPMC800/800ET can also be installed on an ATX form factor carrier board that is equipped with industry standard PMC slots.

ESD Precautions

Use ESD



Wrist Strap

Motorola strongly recommends that you use an antistatic wrist strap and a conductive foam pad when installing or upgrading a system. Electronic components, such as disk drives, computer boards, and memory modules, can be extremely sensitive to ESD. After removing the component from the system or its protective wrapper, place the component flat on a grounded, static-free surface (and, in the case of a board, component side up). Do not slide the component over any surface.

If an ESD station is not available, you can avoid damage resulting from ESD by wearing an antistatic wrist strap (available at electronics stores) that is attached to an active electrical ground. Note that a system chassis may not be grounded if it is unplugged.



Caution

Avoid touching areas of integrated circuitry; static discharge can damage circuits.

Installation of PrPMC800/800ET on a VME or CompactPCI Board

To install a PrPMC800/800ET mezzanine on an VME module or CompactPCI board, refer to [Figure 1-2](#) and perform the following steps:

1. Attach an ESD strap to your wrist. Attach the other end of the ESD strap to an electrical ground. (Note that the system chassis may not be grounded if it is unplugged) The ESD strap must be secured to your wrist and to ground throughout the procedure.
2. Perform an operating system shutdown. Turn the AC or DC power off and remove the AC cord or DC power lines from the system. Remove the chassis or system cover(s) as necessary to gain access to the VME module or CompactPCI board.
3. Carefully remove the VME module or CompactPCI board from its card slot and place it on a clean and adequately protected working surface (preferably an ESD mat) with the backplane connectors facing you.
4. Place the PrPMC800/800ET mezzanine module on top of the VME module, or CompactPCI board, with the four PMC connectors on the PrPMC800/800ET aligned with the four corresponding connectors on the baseboard. Connectors P11, P12, P13, and P14 at the bottom edge of the PrPMC800/800ET should connect smoothly with the corresponding connectors on the VME module or CompactPCI board.

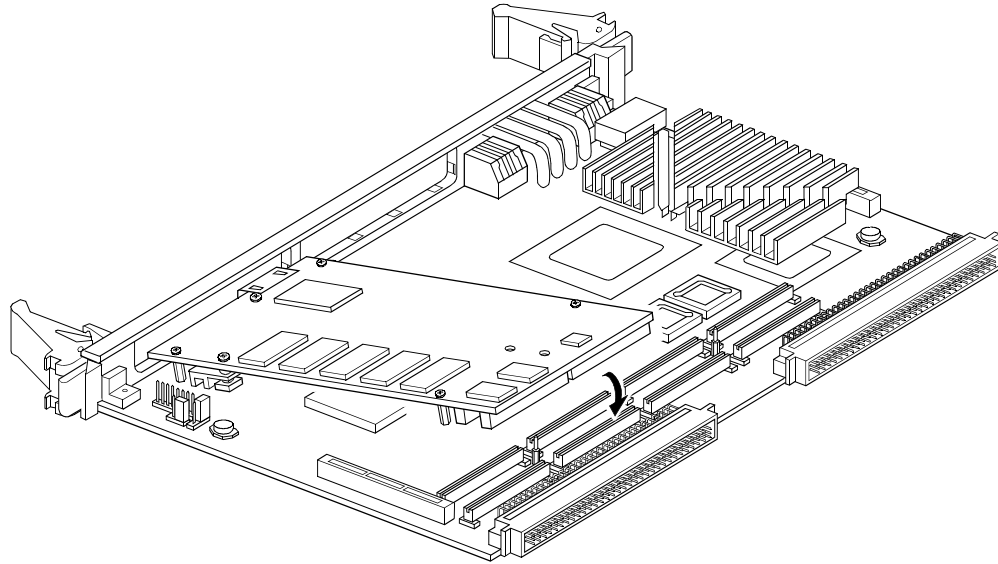


Figure 1-2. Installing a PrPMC800/800ET on a VME module

5. Align the standoffs on the PrPMC800/800ET mezzanine with the VME module or CompactPCI board. Install the Phillips-head screws through the holes in the baseboard and the spacers. Tighten the screws.
6. Install the VME or CompactPCI assembly in its proper card slot. Ensure the module is seated properly in the backplane connectors. Do not damage or bend connector pins.
7. Replace the chassis or system cover(s) and connect the system to the AC or DC power source. Turn the equipment power on.

Introduction

This chapter provides information about powering up the PrPMC800/800ET system, and functionality of the status indicators, and I/O ports on the PrPMC800/800ET module.

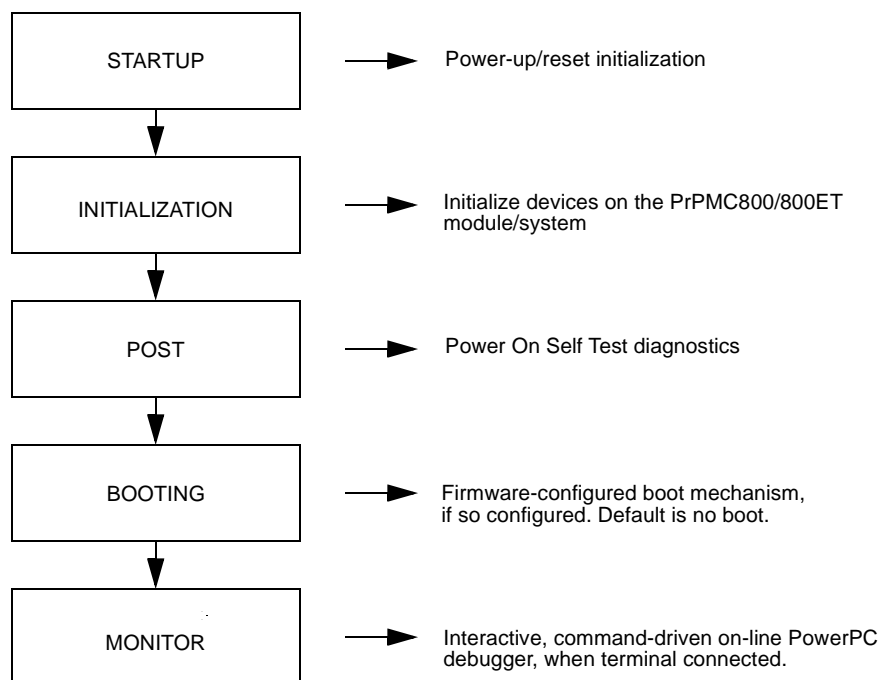
Applying Power

After you have verified that all necessary hardware preparation has been done, that all connections have been made correctly, and that the installation is complete, you can power up the system. The MPU, hardware and firmware initialization process is performed by the PPCBug firmware at power-up or system reset. The firmware initializes the devices on the PrPMC800/800ET module in preparation for booting the operating system.

The firmware, PPCBug, is shipped from the factory with an appropriate set of defaults. In most cases there is no need to modify the firmware configuration before you boot the operating system. However, if you choose to do so, refer to [Chapter 6, Modifying the Environment](#) for further information about modifying these defaults.

The following flowchart shows the basic initialization process that takes place during PrPMC800/800ET system start-up.

For further information on PPCBug, refer to [Chapter 5, PPCBug](#), or to the PPCBug documentation listed in [Appendix C, Related Documentation](#).



Status LEDs and Port Connections

The PrPMC800/800ET's status indicators (LEDs), Debug Serial port and Ethernet Port adapter cable are described in the following subsections.

Status Indicators

There are two LED (light-emitting diode) status indicators located on the secondary side of the PrPMC800/800ET, BDFL and CPU.

BDFL

The yellow fail LED is lit when the Harrier Board fail bit (**BDFL**) in the Miscellaneous Control and Status register is active (software controlled). This LED is illuminated at reset and then turned off after PPCBug has successfully completed initialization.

CPU

The green CPU LED is lit when the DBB# (Data Bus Busy) signal line on the processor bus is active (hardware controlled).

Debug Serial Port

A three-wire debug serial RS-232 port (TXD, RXD, GND) is available on the 2mm, 20-pin right-angle header (J1) located on the primary side of the PrPMC800/800ET. Refer to [Figure 2-3](#) for pin definitions. An optional J1-to-DB9 adapter cable is available from Motorola. Contact your local Motorola Sales Office or Distributor for more information or to order cable part number: PrPMC-CABLE-001. The pinout description for this cable is defined in [Debug Serial Port Cable on page 38](#).

The debug port may be used for connecting a terminal to the PrPMC800/800ET to serve as the firmware console for the factory installed debugger, PPCBug. The port is configured as follows:

- ❑ 8 bits per character
- ❑ 1 stop bit per character
- ❑ Parity disabled (no parity)
- ❑ Baud rate = 9600 baud (default baud rate at power-up)

After power-up, the baud rate of the debug port can be reconfigured by using the debugger's Port Format (**PF**) command. Refer to [Chapter 5, PPCBug](#) and [Chapter 6, Modifying the Environment](#) for information about PPCBug.

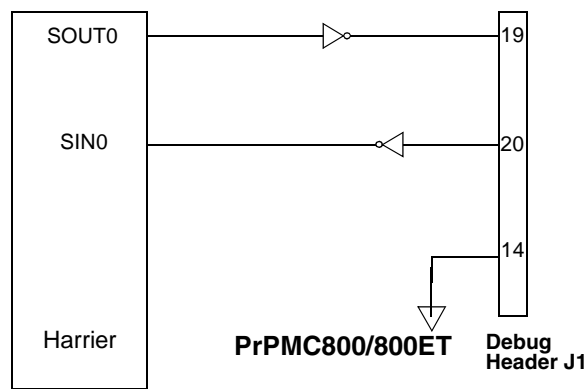


Figure 2-3. PrPMC800/800ET Debug Serial Port Configuration

Ethernet Port Adapter Cable

An Ethernet port adapter cable is available for those models with front panel Ethernet. The cable provides the capability to adapt the low profile Ethernet connector (J3) to a standard RJ45 receptacle. Contact your local Motorola Sales Office to order cable part number: PRPMC-Cable-003.

Introduction

This chapter describes the PrPMC800/800ET Processor PMC Module on a block diagram level. The [General Description](#) provides an overview of the PrPMC800/800ET, followed by a detailed description of several blocks of circuitry. [Figure 3-1 on page 15](#) shows a block diagram of the overall board architecture.

Detailed descriptions of other PrPMC800/800ET blocks, including programmable registers in the ASIC and peripheral chips, can be found in the *PrPMC800/800ET Processor PMC Module Programmer's Reference Guide* and the *Harrier ASIC Programmer's Reference Guide*, listed in [Appendix C, Related Documentation](#). Refer to those documents for a more comprehensive set of functional descriptions.

Features

The following table summarizes the features of the PrPMC800/800ET processor module.

Table 3-1. PrPMC800/800ET Features

Feature	Description
Processor	Single MPC750-class or MPC7410 processor Core frequencies of 450 MHz for MPC750-class, 450Mhz and 500Mhz for MPC7410, 400Mhz for MPC7410(N) Bus clock frequency of 100 MHz. Address and data bus parity
L2 Cache	Backside L2 Cache using pipeline burst-mode SRAMS: 1MB for MPC750-class and MPC7410 (N), 2MB for the MPC7410 Data bus parity
Flash Memory	Bank A: 32MB soldered on-board using two 128 Mbit devices. Bank B: Second bank of flash can be located on host board and accessed through the PMC P14 connector.
SDRAM	Double-Bit-Error detect, Single-Bit-Error correct across 72 bits Single bank of 16-bit wide devices onboard provide 64MB, 128MB, 256MB, or 512MB SDRAM.
Memory Controller	Harrier's SMC (System Memory Controller).
PCI Host Bridge	Harrier's PHB (PCI Host Bridge).
Interrupt Controller	Harrier's MPIC (Multi-Processor Interrupt Controller).

Table 3-1. PrPMC800/800ET Features (continued)

Feature	Description
PCI Interface	32/64-bit Data 33 MHz minimum, 66 MHz capable on certain models 3.3V/5V universal signaling compatible interface P11, P12, P13 and P14 PMC connectors Address/data parity per PCI specification
Ethernet Interface	10BaseT/100BaseTX interface based on the Intel 82559ER/82551IT device AT93C46 SROM for 82559ER/82551IT configuration
SROM	Two 8K byte dual-address I ² C serial EEPROM devices for Vital Product Data, user configuration data One 256 byte standard I ² C serial EEPROM for memory SPD
Debug Support	Two 16550-compatible async serial ports (in Harrier) with RS-232 interface Processor JTAG/COP Interface RESET and ABORT signals Signals routed to 2mm header and PMC connector P14
Input Power Requirements	3.3V \pm 5%
Form Factor	Single-width, standard-length PMC (74mm x 149mm) with 10mm board-to-board stacking height. Standard (3.5mm) side 2 height

General Description

The PrPMC800/800ET is a Motorola processor PMC module compatible with the PowerPlus III architecture. It consists of an MPC750-class, MPC7410, or MPC7410 (N) processor and:

- ❑ L2 backside cache
- ❑ Harrier System Memory Controller/PCI Host Bridge ASIC
- ❑ 32MB of flash memory
- ❑ 64MB to 512MB of ECC-protected SDRAM on board with memory expansion capability
- ❑ 10BaseT/100BaseTX Ethernet controller
- ❑ Debug serial port

The PrPMC800/800ET module interfaces to the host board PCI bus via the PMC P11, P12 and P13 connectors. These provide a 64-bit PCI interface (that is, 33 MHz/66 MHz capable) between the host board and the PrPMC800/800ET. The PrPMC module draws +3.3V through the PMC connectors. The onboard Processor Core Power Supply derives the core voltage from the +3.3V power. The clock generator derives all of the required onboard clocks from the PCI clock input on P11.

The PrPMC800/800ET module has a 2mm header onboard to support module debug operations. This header provides the interface to the debug serial RS-232 port and an interface to the processor JTAG/COP port.

The PrPMC800/800ET module can function as a system controller (monarch mode) for the host board or as a slave processor (non-monarch) PMC, depending on the state of the MONARCH# signal from the PMC connector. When configured as the monarch, the PrPMC800/800ET's PPCBus enumerates the PCI bus as well as monitor and service the four PCI interrupts.

Block Diagram

The following figure is a block diagram of the PrPMC800/800ET's overall architecture

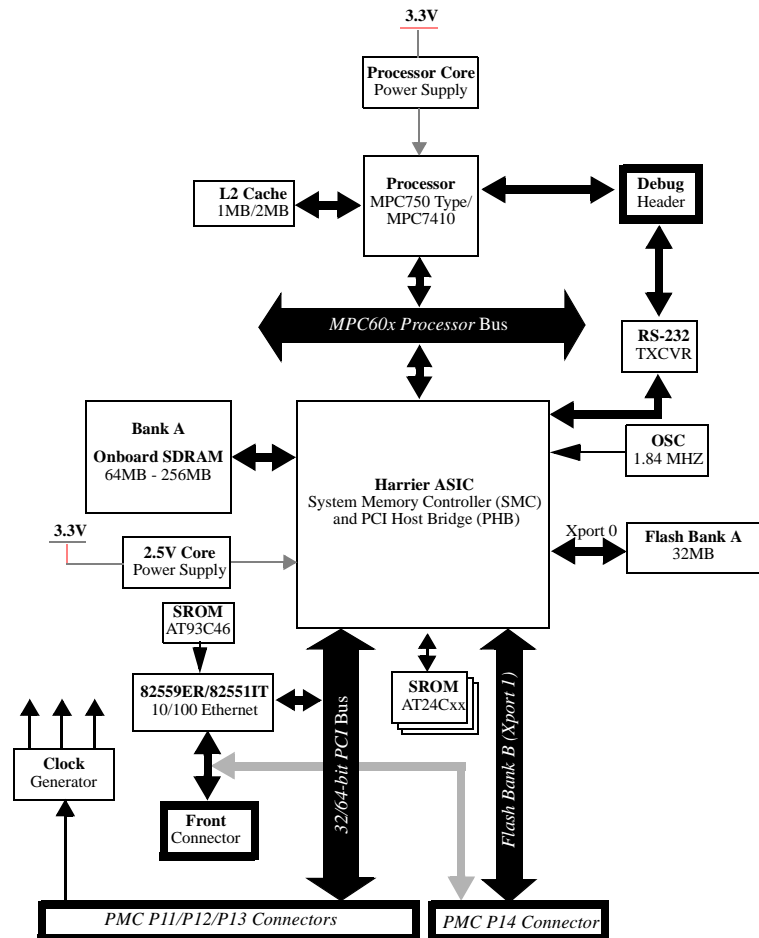


Figure 3-1. PrPMC800/800ET Block Diagram

Processor

The PrPMC800/800ET board can be ordered with one of the following low-power/low care voltage processor chips: 450 MHz MPC750-class, 450MHz or 500MHz MCP7410, or a 400 MHz MPC7410 (N).

L2 Cache

The PrPMC800/800ET utilizes a backside L2 cache structure via the MPC750-class or MPC7410 processor chip families. The L2 cache is implemented with an on-chip, 2-way set-associative tag memory and external direct-mapped synchronous SRAMs for data storage. The external SRAMs are accessed through a dedicated 72-bit wide (64 bits of data and 8 bits of parity) L2 cache port. The MPC750-class processors support up to 1MB of L2 cache SRAMs. The MPC7410 processor can support up to 2MB. The L2 cache can operate in copyback or write-through modes and supports system cache coherency through snooping. Data parity generation and checking can be disabled by programming the processor's L2 cache control register accordingly. The MPC7410 processor also supports direct mapping of the SRAM memory, in conjunction with normal L2 cache operation. In this mode, a portion of the SRAM memory space may be mapped to appear as a private memory space in the memory map. Refer to the processor data sheet for additional information.

The L2 cache data SRAM for the PrPMC800/800ET is implemented using two 128K x 36 or 256K x 36 synchronous pipelined burst SRAMs providing a total of 1MB or 2MB of L2 cache, depending on the board version.

Harrier System Memory Controller / PCI Host Bridge ASIC

The Harrier ASIC provides the bridge function between the PPC60x bus, the system memory, and the PCI Local Bus. The Harrier ASIC incorporates the following key features:

- 100 MHz PowerPC-compatible bus interface
- SDRAM interface supporting up to eight banks of 512MB each, with ECC
- 32/64-bit REV2.1 compliant PCI bus interface capable of running up to 66 MHz
- Single channel DMA controller
- Message passing unit supporting I2O and generic functions
- Two internal 16550-type UARTs
- Two I²C bus master interfaces
- MPIC compliant interrupt controller
- Four Xport channels for interfacing to flash or other external registers/devices

Refer to the *Harrier Programmer's Guide* for additional information and programming details.

Harrier Power-Up Configuration

The Harrier ASIC XAD30-XAD0 pins provide configuration information for Harrier at power-up reset time. The following table lists the default power-up reset state of these pins for the PrPMC800/800ET module. The **Select Option** column indicates whether the power-up setting can be changed by jumper, or if the setting is fixed and cannot be changed. The **Default Power-Up Setting** column indicates the default values for the standard PrPMC800/800ET product. Default settings for jumper options indicate power-up values with jumpers not installed.

Table 3-2. Harrier Power-Up Configuration Settings

Harrier XAD Bus Signal	Select Option	Default Power-Up Setting	Function/ Register Bit	Description
XAD[30]	Jumper J2 pins 15-16	1	Hawk data mode XCSR.XPGC.HDM	Enable/Disable (1/0) Hawk 16-bit data ordering mode for Xports configured for Hawk addressing mode. Xport 1 (flash bank B) is configured for Hawk compatibility mode. If disabled, use Harrier byte ordering mode.
XAD[29]	Fixed	0	UART clock select	Select external clock source for UART.
XAD[28]	Jumper J2 pins 9-10	0	PCI slave configuration holdoff XCSR.BPCS.CSH	Enable/disable (1/0) configuration space hold off. If enabled, accesses to the PCI configuration space from another PCI master results in a disconnect retry. Local PrPMC800/800ET software must clear this register bit to enable access after inbound address and attribute fields have been set.
XAD[27]	Fixed	0	PCI slave configuration mask XCSR.BPCS.CSM	All of Harrier's PCI configuration registers are visible from PCI space.
XAD[26]	Jumper J2 pins 11-12	0	Processor holdoff XCSR.BXCS	Enable/disable (1/0) processor hold off at power-up. If enabled, processor is held in reset.
XAD[25]	Fixed	0	SDRAM external register XCSR.SDTC.SDER	There are no external buffers in series with the BAX, RAX, WE, RAS or CAS signals.
XAD[24]	Fixed	1	Response to unmapped address-only cycles XCSR.GCSR.AOAO	Harrier responds to unmapped address only cycles.

Table 3-2. Harrier Power-Up Configuration Settings (continued)

Harrier XAD Bus Signal	Select Option	Default Power-Up Setting	Function/ Register Bit	Description
XAD[23]	Jumper J2 pins 7-8	1	Generic power up status bit 3 XCSR.GCSR.PUST 3	Software readable header bit 3
XAD[22]	Jumper J2 pins 5-6	1	Generic power up status bit 2 XCSR.GCSR.PUST 2	Software readable header bit 2
XAD[21]	Jumper J2 pins 3-4	1	Generic power up status bit 1 XCSR.GCSR.PUST 1	Software readable header bit 1
XAD[20]	Jumper J2 pins 1-2	1	Generic power up status bit 0 XCSR.GCSR.PUST 0	Software readable header bit 0
XAD[19]	Jumper J2 pins 13-14	0	I2O IOP agent	Set PCI Configuration register CLAS to present class code for "bridge device" (0) or "I2O Controller" (1)
XAD[18]	Fixed	0	Internal PCI arbiter	Disable internal PCI arbiter
XAD[17]	Fixed	1	Internal processor arbiter	Enable internal Processor arbiter
XAD [16:15]	Fixed	00	XCSR register group base address	Set XCSR register group base address to \$FEFF0000
XAD [14:12]	On board logic sets ratio depending on state of M66EN	000	reserved	
		001	3:2	Set PPC-to-PCI clock ratio to 3:2
		010	2:1	Set PPC-to-PCI clock ratio to 2:1
		011	5:2	Set PPC-to-PCI clock ratio to 5:2
		100	1:1	Set PPC-to-PCI clock ratio to 1:1
		101	reserved	
		110	3:1	Set PPC-to-PCI clock ratio to 3:1
		111	reserved	
XAD [11:10]	Fixed	01	Xport channel 0 data width XCSR.XPAT0.DW	Set flash bank A to 16-bit width

Table 3-2. Harrier Power-Up Configuration Settings (continued)

Harrier XAD Bus Signal	Select Option	Default Power-Up Setting	Function/ Register Bit	Description
XAD[9]	BankB_SEL	x	Xport channel 0 reset vector source	Enable/Disable (1/0) Xport channel 0 (flash bank A) as reset vector source, depending on state of baseboard jumper.
XAD [8:7]	Fixed	11	Xport channel 1 data width XCSR.XPAT1.DW	Set Xport channel 1 (flash bank B) to 16-bit width, Hawk addressing mode.
XAD[6]	Fixed	1	Xport channel 1 reset vector source	Enable Xport channel 1 (flash bank B) as reset vector source if Xport channel 0 is disabled.
XAD [5:4]	Fixed	xx	Xport channel 2 data width XCSR.XPAT2.DW	Unused.
XAD[3]	Fixed	0	Xport channel 2 reset vector source	Disable Xport channel 2 as Reset Vector source
XAD [2:1]	Fixed	xx	Xport channel 3 data width XCSR.XPAT2.DW	Unused.
XAD[0]	Fixed	0	Xport Channel 3 Reset Vector Source	Disable Xport channel 3 as Reset Vector source

Arbitration

The Harrier ASIC contains arbiters for the PPC bus (60x bus mode only) and the PCI bus. The PPC arbiter is used to arbitrate between the processor and the Harrier PPC bus master for ownership of the PPC bus. The processor is connected to the Harrier arbiter CPU0_REQ/CPU0_GNT signal pair (XARB3/XARB0).

The Harrier PCI bus arbiter is disabled in the standard board configuration. Per the VITA-32 199x Processor PMC Standard, the PCI bus arbitration must be provided by the baseboard.

Flash Memory

The PrPMC800/800ET supports two banks of flash memory. Bank A is onboard flash, while bank B is optional flash located on the host board and accessed through the PMC P14 connector.

Onboard Bank A Flash

The PrPMC800/800ET contains one bank of 32MB of flash memory on Xport 0 configured for 16-bit mode. Bank A consists of two Intel StrataFlash (28F128J3A) +3.3 volt devices configured to operate in 8-bit mode. These Intel StrataFlash devices support page read mode operations with an 8-byte page size per device.

Optional Bank B Flash

The signal interface for the Harrier Xport 1, configured to operate in Hawk 16-bit address/data mode, is routed to the PMC P14 connector to support an optional 16-bit flash bank B on the baseboard. The address multiplexing of the Hawk mode can address up to 512MB, but device loading may restrict this size to less than that. The reset vector may be sourced by either bank A or bank B depending on the state of the Harrier Xport reset vector control bits (***RVEN0***/***RVEN1***). When the ***RVEN0*** bit is set, address range \$FFF00000-\$FFFFFFFF maps to bank A. When ***RVEN0*** bit is cleared and the ***RVEN1*** bit is set, the address range \$FFF00000-\$FFFFFFFF maps to bank B. The default state uses bank A for the reset vector. Bank B may be selected by connecting the BANKB_SEL pin on P14 to +3.3V.

Xport 1 may be configured to operate in the normal data byte ordering mode where the data alternates every byte instead of every fourth byte (Hawk data mode). The data ordering mode is controlled by one of the onboard jumpers.

ECC Memory

The PrPMC800/800ET supports onboard ECC SDRAM configured as explained below.

Onboard SDRAM

The PrPMC800/800ET onboard ECC SDRAM memory, bank A, is configured as one bank of nine 8-bit wide, +3.3V SDRAM devices in 54-pin TSOPII packages. The total onboard memory size can be 64MB, 128MB, 256MB, or 512MB depending on the memory type used. The SDRAM memory is controlled by the Harrier ASIC which provides single-bit error correction and double-bit error detection. ECC is calculated over 72-bits. Refer to the *Harrier ASIC Programmer's Reference Guide* for additional information and programming details. The SDRAM memory bus operates at the same speed as the processor bus.

SRAM

The PrPMC800/800ET module contains two 8Kb serial EEPROM devices (AT24C64) and one 256 byte serial EEPROM device (AT24C02) onboard. One 8Kb serial EEPROM provides for Vital Product Data (VPD) storage of the module hardware configuration, and the other 8Kb device provides storage for user configuration data. The contents of the devices are accessed by providing a two-byte address with the same device ID, instead of the standard one-byte address as used in the 256 byte devices. The 256 byte device provides for Serial Presence Detect (SPD) memory configuration information. The Serial EEPROM's are accessed through I²C port 0 in the Harrier ASIC. Refer to Appendix B of the *PrPMC800/800ET Processor PMC Module Programmer's Reference Guide* for information on the contents of the VPD and SPD.

Harrier I²C port 0 is also routed to pins on the P14 PMC user I/O connector. The connection to the PMC connector provides a means to interface to an optional configuration SROM on the baseboard. This allows the PrPMC800/800ET to determine hardware configuration information from the baseboard. Refer to the *Harrier ASIC Programmer's Reference Guide* for SROM device address assignments.

10BaseT/100BaseTX Ethernet Channel

The PrPMC800/800ET module uses an Intel GD82559ER/82551IT Ethernet controller to implement a 10BaseT/100BaseTX Ethernet channel. The GD82559ER/82551IT is a lower power, lower cost version of the GD82559 without the wake-on-LAN features. The GD82559ER/82551IT consists of both the Media Access Controller (MAC) and the physical layer (PHY) in a single integrated package. A Pulse H0013 low profile transformer is used to supply the external magnetics. The module will support a front panel Ethernet connection via a low profile PC card style connector mounted at the front of the module (on models -12x1 and -52x1). Optional rear I/O Ethernet is provided by routing the Ethernet transmit and receive signal pairs to P14 connector (on models -11x9, -12x9, and -52x9).

The 82559ER/82551IT interfaces to an AT93C46 serial EEPROM device that provides power-up configuration information for the 82559ER/82551IT. This is a 1Kb device organized as 64 16-bit words. Refer to the corresponding table in the VPD appendix of the *PrPMC800/800ET Processor PMC Module Programmer's Reference Guide*, for the contents of this device.

Miscellaneous Control and Status

The Harrier ASIC contains a Miscellaneous Control and Status register that provides the PrPMC800/800ET module with the module fail LED control, PrPMC EREADY# pin status, PrPMC MONARCH# pin status, module reset control, and processor timebase enable control. Refer to the *Harrier ASIC Programmer's Reference Guide* for additional details.

Timers

Timers on the PrPMC800/800ET board are provided by the Harrier ASIC. Refer to the Harrier ASIC documents for programming details on these timers.

32-Bit Timers

Four 32-bit timers are provided by Harrier (MPIC) that may be used for system timing or to generate periodic interrupts. Each timer is driven by a divide-by-eight prescaler which is synchronized to the Power PC processor clock. For a 100 MHz processor bus, the timer frequency would be 12.5 MHz.

Watchdog Timers

The Harrier ASIC contains two Watchdog timers, WDT0 and WDT1. Each timer is functionally equivalent but independent. These timers continuously decrement until they reach a count of 0 or are reloaded by software. The time-out period is programmable from 1 microsecond up to 32 minutes. If the timer count reaches 0, a timer output signal is asserted. The output of Watchdog Timer 0 is routed to an MPIC interrupt. The output of Watchdog Timer 1 is connected to the Harrier AUXRST, which will generate RESETOUT_L.

Following a Harrier device reset, WDT0 is enabled with a default time-out of 8 seconds and WDT 1 is enabled with a default time-out of 16 seconds. Each timer must be disabled or reloaded by software to prevent a time-out. Software may reload a new timer value or force the timer to reload a previously loaded value. To disable or load/reload a timer requires a two step process.

Interrupt Routing and Generation

External interrupts routed to the Harrier MPIC include the four PCI interrupts INTA#-INTD#, four host board interrupts from PMC connector P14, and the output from the watchdog timers. The PrPMC800/800ET has the ability to generate any one of the PCI interrupts INTA#-INTD# by using the Harrier Generic Outbound Doorbell register or the I2O controller. The desired PCI interrupt is selected by programming the PCI Interrupt Mapping bits in the Harrier Bridge PCI Control and Status register.

Asynchronous Serial Port

The PrPMC800/800ET module provides a two-wire asynchronous serial interface (TXD and RXD) for use as a serial debug port. UART0 in the Harrier ASIC provides the 16550 compatible UART controller. The UART0 port SIN0 and SOUT0 signals are wired to an external RS-232 transceiver which interfaces to the 2mm debug header and the P14 connector. An onboard 1.8432 MHz oscillator provides the baud rate clock for the UART.

Clock Generator

The PrPMC800/800ET module clock generator uses a Z9972 PLL clock driver to provide the clocks for the processor, the Harrier ASIC and the SDRAMs. All clocks are referenced to the PCI clock input on PMC connector P11. The PrPMC800/800ET supports the PPC-to-PCI clock ratios listed in the following table. Onboard logic uses the state of the PMC M66EN pin to determine whether the maximum PCI clock frequency will be 33 MHz or 66 MHz.

Table 3-3. PPC to PCI Clock Ratios

M66EN Pin	PPC Clock Frequency (MHz)	PCI Clock Frequency (MHz)	Ratio (PPC:PCI)	Harrier PCI Clock Divisor (N)
Low	100	33.33	3:1	12
High	100	66.67	3:2	6

PrPMC800/800ET Power Supplies

The PrPMC800/800ET module requires only a +3.3V input voltage. The processor core voltage and the Harrier core voltage are generated on the module from the +3.3V input using the LTC1702 dual synchronous switching regulator. In addition to the Harrier core voltage, the +2.5V supply provides the processor, Harrier, and L2 cache I/O voltages.

Module Reset Logic

A block diagram of the PrPMC800/800ET module reset logic appears in [Figure 3-2 on page 24](#).

There are five standard sources of reset on the PrPMC800/800ET. They are:

1. Power-Up reset
2. PMC PCI RST#
3. Watchdog Timer reset via the Harrier Watchdog 1 Timer output
4. Software generated module reset from Harrier RSTOUT control bit
5. Debug RESET_L signal from debug header

The following table describes the function of each reset source. A module reset includes the processor, Harrier and Ethernet. The RESETOUT_L pin must be tied into the baseboard reset logic, which drives PCIRST# in order to produce module reset.

Table 3-4. Reset Source Functions

Reset Source Type	Module Reset	PrPMC RESETOUT_L Active
Power-Up Reset	x	x
PMC PCI RST#	x	
WDT1 Timer Output		x
SW Reset		x
Debug Reset		x

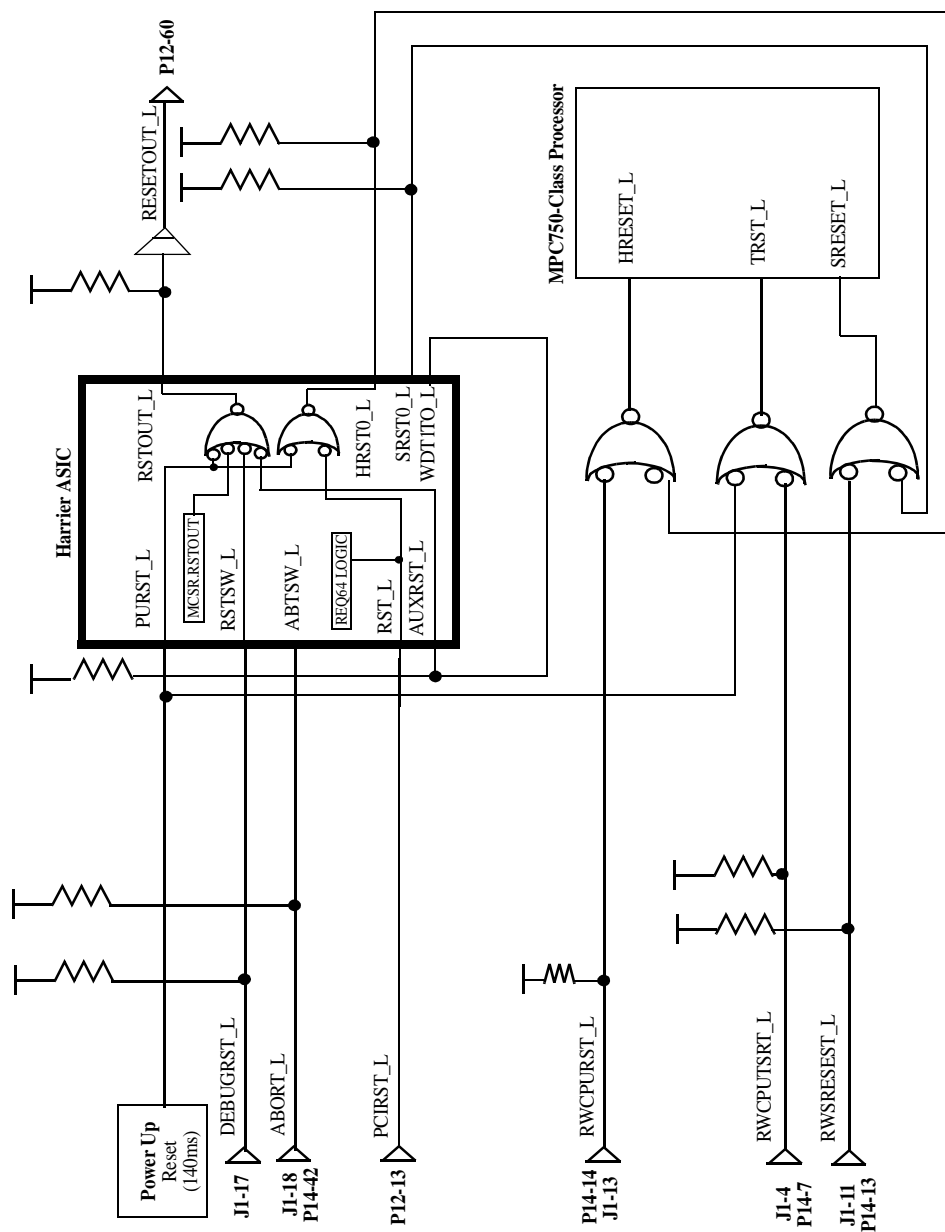


Figure 3-2. PrPMC800/800ET Reset Block Diagram

PCI Interface

The PrPMC800/800ET module contains four EIA-E700 AAAB connectors that provide a 32/64-bit PCI interface to an IEEE P1386.1 PMC compliant baseboard. Connectors P11-P13 provide the 32/64-bit 66 MHz capable PCI interface while P14 provides an I/O path from the module to the baseboard. Signals routed to P14 include the I²C bus, the RS-232 debug port, the processor JTAG/COP and the Xport 1.

PCI bus pullup resistors required by the PCI Revision 2.1 Specification (for motherboards), including 64-bit expansion signals, must be supplied by the baseboard. This is required if the PrPMC800/800ET is operating as a monarch or non-monarch module.

The following special function processor PMC pins, as defined by the draft *Processor PMC Standard VITA-32-199x*, are implemented on the PrPMC800/800ET as described in the following sections.

PRESENT# Signal

The PRESENT# signal on the PrPMC800/800ET module is grounded to indicate to the baseboard that the module is installed.

MONARCH# Signal

The MONARCH# input signal allows the baseboard to enable the monarch system controller features on the PrPMC800/800ET module. The PrPMC800/800ET will pull up the MONARCH# signal. If the baseboard grounds this pin, the PrPMC800/800ET module will operate as a monarch (master) and provide system initialization and PCI interrupt handling. If the baseboard leaves the MONARCH# pin floating, the PrPMC800/800ET will operate as a non-monarch (slave).

INTA#-INTD# Signals

The four PCI interrupt signals are routed to MPIC external interrupt inputs so that they can be monitored by the processor when the PrPMC800/800ET is operating in the monarch mode. The PrPMC800/800ET can generate an interrupt to the host board processor on any one PCI interrupt INTA#-INTD# by activating the PCI interrupt in the Harrier message passing unit. Refer to the interrupt section of the *Harrier ASIC Programmer's Reference Guide* for interrupt assignments.

IDSELB, REQB#, and GNTB# Signals

The PrPMC800/800ET module uses the processor PMC second PCI agent signals IDSELB, REQB# and GNTB# for the IDSEL, REQ# and GNT# signals of the GD82559ER/82551IT Ethernet chip. IDSELB has a weak onboard pulldown and GNTB# has a weak onboard pullup so the module operates properly on baseboards that do not support a second PCI agent.

M66EN Signal

The no-Ethernet versions (-21x1, -22x1 and -62x1) of the PrPMC800/800ET module are designed to operate on a 33 MHz or 66 MHz PCI bus, depending on the state of the M66EN pin provided by the baseboard. The module will monitor the state of the M66EN pin and set the multiplier of the on board clock generator at power-up. If the M66EN pin is grounded, the clock ratio will be 3:1. If M66EN is high, the clock ratio will be set to 3:2.

RESETOUT_L Signal

The PrPMC RESETOUT_L output signal (P12-60) provides a means for the PrPMC800/800ET to reset the baseboard which in turn can reset the PrPMC800/800ET. The active low RESETOUT_L signal is generated whenever the PrPMC800/800ET power-up reset, Watchdog Timer 1 reset, debug reset, or a software generated module reset via the Harrier RESET OUT bit is active. The PMC PCI reset input signal will not generate RESETOUT_L. Refer to [Figure 3-2](#) for a diagram of the module reset logic.

EREDY Signal

The Processor PMC PCI bus Enumeration Ready (EREDY) signal is connected to the Harrier EREADY pin. Harrier can drive this open drain signal and monitor its state using the Harrier EREADY and EREADYS status bits. This pin is asserted low by Harrier at power-up and must be deasserted by software control.

PCI Signaling Voltage Level

The PrPMC800/800ET module is a universal PMC module that will operate with +3.3V or +5V PCI signaling levels. The Harrier PCI I/O buffers operate at +3.3V output levels and are 5V tolerant allowing the PCI interface to operate at either voltage level. The one exception is the PCI CLK input. This is a +3.3V “only” input, which is not +5V tolerant. The PCI clock input signal is a +3.3V only input.

Debug Header

A 2mm, 20-pin right-angle header located on side one of the PrPMC800/800ET provides the interface to the async serial port, the processor JTAG/COP port, along with the RESET# and ABORT# signals. The serial port and JTAG/COP interfaces, along with the ABORT_L signal, are also routed to the PMC P14 connector for host board access.

ABORT# and RESET# Signals

The debug header provides ABORT# and RESET# inputs for debug purposes. The ABORT# signal is connected to the Harrier Abort Switch (ABTSW_L) input and generates an MPIC internal interrupt. The RESET# signal is connected to the Harrier Reset Switch (RSTSW_L) input that generates a Harrier Reset Out. Each signal is debounced in the Harrier ASIC.

Harrier Power-Up Configuration Header

A 2mm, 16-pin low profile header, locate on side one of the module provides the means to change some of the Harrier power-up configuration settings. See [Table 4-7 on page 37](#) for configuration settings controlled by this header. A 2-mm shunt must be installed to change a setting. The default configuration setting (with the shunt not installed) is also given in [Table 4-7](#). Refer to [Table 4-7](#) for the header pin assignments as well.

On-Board LEDs

The PrPMC800/800ET module provides two LEDs mounted on side two of the module for status of the CPU and the board fail pin:

- ❑ The green CPU LED is lit when the DBB# signal of the processor bus is active (hardware controlled)
- ❑ The yellow FAIL LED is lit when the Harrier Board Fail bit (BDFL) in the Miscellaneous Control and Status register is active (software controlled)

Refer to the *Harrier ASIC Programmer's Reference Guide* for details of the Miscellaneous Control and Status register.

Memory Maps

Refer to the *PrPMC800/800ET Processor PMC Module Programmer's Reference Guide* for memory maps of the PrPMC800/800ET processor module. The PrPMC800/800ET is a derivative of the Single Board Computer (SBC) family compatible with the PowerPlus III architecture. The programming model presented in the *PrPMC800/800ET Programmer's Reference Guide* is based on the PowerPlus III architecture.

Introduction

This chapter provides connector pin assignments for all connectors on the PrPMC800/800ET board.

PCI Mezzanine Card (PMC) Connectors

There are four 64-pin EIA E700 AAAB SMT connectors (P11, P12, P13, and P14) on the PrPMC800/800ET that provide the 32/64-bit PCI interface and optional I/O interface to the host board. The P14 connector provides an interface to the bank B flash and I²C bus along with a secondary interface to the serial port and the JTAG/COP port. The pin assignments are as follows.

Table 4-1. PMC Connector P11 Pin Assignments

P11		
1	TCK	-12V (No Connect) 2
3	GND	INTA# 4
5	INTB#	INTC# 6
7	PRESENT#	+5V (No Connect) 8
9	INTD#	No Connect 10
11	GND	No Connect 12
13	CLK	GND 14
15	GND	GNT# 16
17	REQ#	+5V (No Connect) 18
19	VIO	AD31 20
21	AD28	AD27 22
23	AD25	GND 24
25	GND	C/BE3# 26
27	AD22	AD21 28
29	AD19	+5V (No Connect) 30
31	VIO	AD17 32
33	FRAME#	GND 34
35	GND	IRDY# 36
37	DEVSEL#	+5V (No Connect) 38
39	GND	LOCK# 40

Table 4-1. PMC Connector P11 Pin Assignments (continued)

41	SDONE#	SBO#	42
43	PAR	GND	44
45	VIO	AD15	46
47	AD12	AD11	48
49	AD09	+5V (No Connect)	50
51	GND	C/BE0#	52
53	AD06	AD05	54
55	AD04	GND	56
57	VIO	AD03	58
59	AD02	AD01	60
61	AD00	+5V (No Connect)	62
63	GND	REQ64#	64

Table 4-2. PMC Connector P12 Pin Assignments

	P12		
1	+12V (No Connect)	TRST#	2
3	TMS	TDO	4
5	TDI	GND	6
7	GND	No Connect	8
9	No Connect	No Connect	10
11	MOT_RSVD	+3.3V	12
13	RST#	MOT_RSVD	14
15	+3.3V	MOT_RSVD	16
17	No Connect	GND	18
19	AD30	AD29	20
21	GND	AD26	22
23	AD24	+3.3V	24
25	IDSEL	AD23	26
27	+3.3V	AD20	28
29	AD18	GND	30
31	AD16	C/BE2#	32
33	GND	IDSELB	34
35	TRDY#	+3.3V	36
37	GND	STOP#	38
39	PERR#	GND	40
41	+3.3V	SERR#	42
43	C/BE1#	GND	44
45	AD14	AD13	46
47	M66EN	AD10	48
49	AD08	+3.3V	50
51	AD07	REQB_L	52
53	+3.3V	GNTB_L	54
55	MOT_RSVD	GND	56
57	MOT_RSVD	EREADEY	58
59	GND	RESETOUT_L	60
61	ACK64#	+3.3V	62
63	GND	MONARCH#	64

Table 4-3. PMC Connector P13 Pin Assignments

P13			
1	Reserved	2	GND
3	GND	4	C/BE7#
5	C/BE6#	6	C/BE5#
7	C/BE4#	8	GND
9	VIO (No Connect)	10	PAR64
11	AD63	12	AD62
13	AD61	14	GND
15	GND	16	AD60
17	AD59	18	AD58
19	AD57	20	GND
21	VIO (No Connect)	22	AD56
23	AD55	24	AD54
25	AD53	26	GND
27	GND	28	AD52
29	AD51	30	AD50
31	AD49	32	GND
33	GND	34	AD48
35	AD47	36	AD46
37	AD45	38	GND
39	VIO (No Connect)	40	AD44
41	AD43	42	AD42
43	AD41	44	GND
45	GND	46	AD40
47	AD39	48	AD38
49	AD37	50	GND
51	GND	52	AD36
53	AD35	54	AD34
55	AD33	56	GND
57	VIO (No Connect)	58	AD32
59	Reserved	60	Reserved
61	Reserved	62	GND
63	GND	64	Reserved

Table 4-4. PMC Connector P14 Pin Assignments

P14		
1	I2CSDA	I2CSCL
3	TXD	RXD
5	CPUTDI	CPUTDO
7	CPUTRST_L	GND
9	GND	BANKB_SEL
11	CPUTCK	CPUTMS
13	SRESET_L	CPURST_L
15	CHKSTPO_L	XOE_L
17	XUUWE_L	XCS_L
19	XUMWE_L	XALE_L
21	XAD5	XWAIT_L
23	XAD6	GND
25	GND	XADR1
27	XADR2	XADR3
29	XADR4	XADR5
31	XADR6	XADR7
33	XAD0	XAD1
35	XAD2	XAD3
37	XAD4	TXP (optional)
39	RXP (optional)	TXN (optional)
41	RXN (optional)	ABORT_L
43	HOSTINT0	HOSTINT1
45	HOSTINT2	HOSTINT3
47	XAD31	XAD30
49	XAD29	XAD28
51	XAD27	XAD26
53	XAD25	XAD24
55	XAD23	GND
57	GND	XAD22
59	XAD21	XAD20
61	XAD19	XAD18
63	XAD17	XAD16

Signal Description for P14

I2CSDA:	I ² C bus serial data
I2CSCL:	I ² C bus clock
TXD:	RS-232 serial port transmit data
RXD:	RS-232 serial port receive data
CPUTDI:	Processor RISCwatch TDI
CPUTDO:	Processor RISCwatch TDO
CPUTRST_L:	Processor RISCwatch Test Reset
CPUTCK:	Processor RISCwatch Test Clock
CPUTMS:	Processor RISCwatch Test Mode Select
SRESET_L:	Processor RISCwatch Soft Reset
CPURST_L:	Processor RISCwatch CPU Reset
CHKSTPO_L:	Processor RISCWatch CPU Checkstop Out
BANKB_SEL:	Flash Bank B reset vector select
XOE_L:	Xport Output Enable. Equivalent to FLASHOE_L on PrPMC750
XUUWE_L:	Xport Upper Byte Write Enable. Equivalent to FLASHUWE_L on PrPMC750.
XUMWE_L:	Xport Lower Byte Write Enable in 16-bit mode. Equivalent to FLASHLWE_L on PrPMC750.
XCS1_L	Xport1 Chip Select. Equivalent to FLASHCS_L on PrPMC750.
XALE_L	Xport Address Latch Enable. Equivalent to FLASHALE_L on PrPMC750.
XADR_L (7:1)	Xport address lines. Equivalent to RA_FLASH (6:0) on PrPMC750.
XAD (6:1)	Xport address lines. Equivalent to BA_FLASH1, BA_FLASH0, and RA_FLASH (11:7) respectively on PrPMC750.
XAD (31:16)	Xport 16-bit data bus. Equivalent to RD_FLASH (0:15) on PrPMC750.
XWAIT_L	FLASH port wait state enable
ABORT_L	ABORT interrupt
HOSTINT(0:3)	Host interrupt
TXP/TXN	Ethernet transmit signal pair for optional rear I/O. These pins are no connects for front I/O Ethernet.
RXP/RXN	Ethernet receive signal pair for optional rear I/O. These pins are no connects for front I/O Ethernet.

Ethernet Adapter Connector

An AMP 15-pin INFOPORT Series III PC card, low profile connector is located on the front edge of the PrPMC800/800ET to provide a front side interface to the Ethernet channel. An external PC card RJ45 adapter cable is required to provide a standard RJ45 Ethernet interface. The pin assignments for this header are as follows.

Table 4-5. J3 Ethernet Adapter Connector Pin Assignments

J3	
1	NC
2	NC
3	NC
4	NC
5	TXP
6	TXN
7	RXP
8	RXN
9	LANTERMA
10	LANTERMA
11	LANTERMB
12	LANTERMB
13	NC
14	NC
15	NC

Debug Header

A 2mm, 20-pin right-angle header located on side one of the PrPMC800/800ET provides the interface to the async serial port, the processor JTAG/COP port, the PLD JTAG in-system programming port, along with the RESET# and ABORT# signals. The serial port and JTAG/COP interfaces, along with the ABORT_L signal, are also routed to the PMC P14 connector for host board access. The pin assignments for this header are as follows.

Table 4-6. J1 Debug Header Pin Assignments

J1			
1	CPUTDO	ISPSDO	2
3	CPUTDI	CPUTRST_L	4
5	ISPSDI	PULLUP	6
7	CPUTCK	ISPMODE	8

Table 4-6. J1 Debug Header Pin Assignments

9	CPUTMS	ISPSCLK	10
11	SRESET_L	DEBUGINT_L	12
13	CPURST_L	GND	14
15	CKSTPO_L	GND	16
17	RESET_L	ABORT_L	18
19	TXD	RXD	20

Signal Description for J1

TXD:	RS-232 serial port transmit data
RXD:	RS-232 serial port receive data
CPUTDI:	Processor RISCWatch TDI
CPUTDO:	Processor RISCWatch TDO
CPUTRST_L:	Processor RISCWatch Test Reset
CPUTCK:	Processor RISCWatch Test Clock
CPUTMS:	Processor RISCWatch Test Mode Select
SRESET_L:	Processor RISCWatch Soft Reset
CPURST_L:	Processor RISCWatch CPU Reset
CHKSTPO_L:	Processor RISCWatch CPU Checkstop out
PULLUP	Fused Pullup for RISCWatch probe
ISPSDO:	PLD ISP Serial Data Out
ISPSDI:	PLD ISP Serial Data In
ISPMODE:	PLD ISP Mode
ISPSCLK:	PLD ISP Serial Clock
ABORT_L	ABORT interrupt
DEBUGINT_L	Debug Interrupt input
RESET_L	Debug Reset input
RSVD	Reserved pins. Do not connect any signals to these pins.

Harrier Power-Up Configuration Header

A 2mm, 16-pin low profile header located on side one of the PrPMC800/800ET provides the means to change some of the Harrier power-up configuration settings. The pin assignments for this header, along with the power-up setting with the shunt on or off, are as follows.

Table 4-7. J2 Harrier Power-Up Configuration Header Pin Assignments

J2		Shunt On	Shunt Off
1	XAD[20] termination	GND	2 PUST0 = 0 Harrier PUST Bit 0 in GCSR Register.
3	XAD[21] termination	GND	4 PUST1 = 0 Harrier PUST Bit 1 in GCSR Register.
5	XAD[22] termination	GND	6 PUST2 = 0 Harrier PUST Bit 2 in GCSR Register.
7	XAD[23] termination	GND	8 PUST3 = 0 Harrier PUST Bit 3 in GCSR Register.
9	XAD[28] termination	3.3V	10 Hold off Configuration Space access
1 1	XAD[26] termination	3.3V	12 Processor held in reset at power-up
1 3	XAD[19] termination	3.3V	14 Class Code set for "I2O Controller"
1 5	XAD[30] termination	GND	16 Xport 1 uses normal data byte ordering
			Configuration Space access enabled
			Processor enabled at power-up
			Class Code set for "Bridge Device"
			Xport 1 uses Hawk data byte ordering

Debug Serial Port Cable

The following cable pinout information is provided for those using the debug serial port cable in conjunction with the operation of the PrPMC800/800ET.

Table 4-8. PrPMC Cable-001 Termination

Signal Name	2mm 20-Receptacle Pin (TCS-10-01)	Mating Connector	Mating Connector Pin
CPUTDO	1	.100"x.100x IDC plug connector, 16-pin (4616-7001)	1
CPUTDI	3		3
CPUTRST_L	4		4
PULLUP	6		6
CPUTCK	7		7
CPUTMS	9		9
SRESET_L	11		11
CPURST_L	13		13
CKSTPO_L	15		15
GND	16		16
GND	14	D-sub plug connector, 9-pin (8209-6000)	5
TXD	19		3
RXD	20		2

Overview

The PPCbug firmware is the layer of software just above the hardware. The firmware provides the proper initialization for the devices on the PrPMC800/800ET module upon power-up or reset.

This chapter describes the basics of PPCbug and its architecture, describes the monitor (interactive command portion of the firmware) in detail, and gives information on actually using the PPCbug debugger and the special commands. A complete list of PPCbug commands appears at the end of the chapter.

Chapter 6, Modifying the Environment, contains information about the CNFG and ENV commands, system calls, and other advanced user topics.

For full user information about PPCbug, refer to the *PPCbug Firmware Package User's Manual* and the *PPCbug Diagnostics Manual*, listed in [Appendix C, Related Documentation](#).

PPCbug Basics

The debug firmware, PPCbug, is a powerful evaluation and debugging tool for systems built around Motorola microcomputers compatible with the PowerPC instruction set architecture. Facilities are available for loading and executing user programs under complete operator control for system evaluation.

PPCbug provides a high degree of functionality, user friendliness, portability, and ease of maintenance.

It achieves good portability and comprehensibility because it was written entirely in the C programming language, except where necessary to use assembler functions.

PPCBug includes commands for:

- ❑ Display and modification of memory
- ❑ Breakpoint and tracing capabilities
- ❑ A powerful assembler and disassembler useful for patching programs
- ❑ A self-test at power-up feature which verifies the integrity of the system

PPCBug consists of three parts:

- ❑ A command-driven, user-interactive *software debugger*, described in the *PPCBug Firmware Package User's Manual*. It is hereafter referred to as “the debugger” or “PPCBug”.
- ❑ A command-driven *diagnostics package* for the PrPMC800/800ET hardware, hereafter referred to as “the diagnostics.” The diagnostics package is described in the *PPCBug Diagnostics Manual*.
- ❑ A *user interface* or *debug/diagnostics monitor* that accepts commands from the system console terminal.

When using PPCBug, you operate out of either the *debugger directory* or the *diagnostic directory*.

- ❑ If you are in the debugger directory, the debugger prompt `PPC7-Bug>` is displayed and all of the debugger commands are available.
- ❑ If you are in the diagnostic directory, the diagnostic prompt `PPC7-Diag>` is displayed and all of the diagnostic commands are available, as well as all of the debugger commands.

Because PPCBug is command-driven, it performs various operations in response to user commands entered at the keyboard. When you enter a command, PPCBug executes the command and the prompt reappears. However, if you enter a command that causes execution of user target code (e.g., **GO**), control may or may not return to PPCBug, depending on the outcome of the user program.

Memory Requirements

PPCBug requires a maximum of 768KB of read/write memory (DRAM). The debugger allocates this space from the top of memory. For example, a system containing 64MB (\$04000000) of read/write memory places the PPCBug memory page at locations \$03F40000 to \$03FFFFFF.

PPCBug Implementation

PPCBug is written largely in the C programming language, providing benefits of portability and maintainability. Where necessary, assembly language has been used in the form of separately compiled program modules containing only assembler code. No mixed-language modules are used.

Physically, PPCBug is contained in two on-board flash devices that together provide 32MB of storage. The executable code is checksummed at every power-on or reset firmware entry, and the result (which includes a precalculated checksum contained in the flash devices), is verified against the expected checksum.

MPU, Hardware, and Firmware Initialization

The debugger performs the MPU, hardware, and firmware initialization process. This process occurs each time the PrPMC800/800ET is reset or powered up. The steps below are a high-level outline; not all of the detailed steps are listed.

1. Sets MPU.MSR to known value.
2. Invalidates the MPU's data/instruction caches.
3. Clears all segment registers of the MPU.
4. Clears all block address translation registers of the MPU.
5. Initializes the MPU-bus-to-PCI-bus bridge device.
6. Calculates the external bus clock speed of the MPU.
7. Delays for 750 milliseconds.
8. Determines the CPU base board type.
9. Sizes the local read/write memory (i.e., DRAM).
10. Initializes the read/write memory controller. Sets base address of memory to \$00000000.
11. Retrieves the speed of read/write memory.
12. Initializes the read/write memory controller with the speed of read/write memory.
13. Retrieves the speed of read only memory (flash).
14. Initializes the read only memory controller with the speed of read only memory.
15. Enables the MPU's instruction cache.
16. Copies the MPU's exception vector table from \$FFF00000 to \$00000000.
17. Verifies MPU type.
18. Enables the superscalar feature of the MPU (superscalar processor boards only).
19. Verifies the external bus clock speed of the MPU.
20. Determines the debugger's console/host ports, and initializes the PC16550A.
21. Displays the debugger's copyright message.
22. Displays any hardware initialization errors that may have occurred.
23. Checksums the debugger object, and displays a warning message if the checksum failed to verify.
24. Displays the amount of local read/write memory found.

25. Verifies the configuration data that is resident in NVRAM, and displays a warning message if the verification failed.
26. Calculates and displays the MPU clock speed, verifies that the MPU clock speed matches the configuration data, and displays a warning message if the verification fails.
27. Displays the BUS clock speed, verifies that the BUS clock speed matches the configuration data, and displays a warning message if the verification fails.
28. Probes PCI bus for supported network devices.
29. Probes PCI bus for supported mass storage devices.
30. Initializes the memory/IO addresses for the supported PCI bus devices.
31. Executes Self-Test, if so configured. (Default is no Self-Test.)
32. Extinguishes the board fail LED, if Self-Test passed, and outputs any warning messages.
33. Executes boot program, if so configured. (Default is no boot.)
34. Executes the debugger monitor (issues the `PPC7-Bug>` prompt).

Using PPCBug

PPCBug is command-driven; it performs its various operations in response to commands that you enter at the keyboard. When the `PPC7-Bug` prompt appears on the screen, the debugger is ready to accept debugger commands. When the `PPC7-Diag` prompt appears on the screen, the debugger is ready to accept diagnostics commands. To switch from one mode to the other, enter **SD**.

What you enter is stored in an internal buffer. Execution begins only after you press the Return or Enter key. This allows you to correct entry errors, if necessary, with the control characters described in the *PPCBug Firmware Package User's Manual*.

After the debugger executes the command, the prompt reappears. However, if the command causes execution of user target code (for example **GO**) then control may or may not return to the debugger, depending on what the user program does. For example, if a breakpoint has been specified, control returns to the debugger when the breakpoint is encountered during execution of the user program. Alternately, the user program could return to the debugger by means of the System Call Handler routine RETURN. For more about this, refer to the **GD**, **GO**, and **GT** command descriptions in the *PPCBug Firmware Package User's Manual*.

A debugger command is made up of the following parts:

- ❑ The command name, either uppercase or lowercase (for example, **MD** or **md**).
- ❑ Any required arguments, as specified by command.
- ❑ At least one space before the first argument. Precede all other arguments with either a space or comma.
- ❑ One or more options. Precede an option or a string of options with a semicolon (;). If no option is entered, the command's default option conditions are used.

Debugger Commands

The individual debugger commands are listed in the following table. The commands are described in detail in the *PPCBug Firmware Package User's Manual*.

Note You can list all the available debugger commands by entering the Help (**HE**) command alone. You can view the syntax for a particular command by entering **HE** and the command mnemonic, as listed below.

Table 5-1. Debugger Commands

Command	Description
AS	One Line Assembler
BC	Block of Memory Compare
BF	Block of Memory Fill
BI	Block of Memory Initialize
BM	Block of Memory Move
BR	Breakpoint Insert
NOBR	Breakpoint Delete
BS	Block of Memory Search
BV	Block of Memory Verify
CACHE	Modify Cache State
CM	Concurrent Mode
NOCM	No Concurrent Mode
CNFG	Configure Board Information Block
CS	Checksum
CSAR	PCI Configuration Space READ Access
CSAW	PCI Configuration Space WRITE Access
DC	Data Conversion
DS	One Line Disassembler
DU	Dump S-Records
ECHO	Echo String
ENV	Set Environment
FORK	Fork Idle MPU at Address
FORKWR	Fork Idle MPU with Registers
GD	Go Direct (Ignore Breakpoints)
GEVBOOT	Global Environment Variable Boot
GEVDEL	Global Environment Variable Delete
GEVDUMP	Global Environment Variable(s) Dump
GEVEDIT	Global Environment Variable Edit

Table 5-1. Debugger Commands (continued)

Command	Description
GEVINIT	Global Environment Variable Initialization
GEVSHOW	Global Environment Variable(s) Display
GN	Go to Next Instruction
G, GO	Go Execute User Program
GT	Go to Temporary Breakpoint
HE	Help
IDLE	Idle Master MPU
IOC	I/O Control for Disk
IOI	I/O Inquiry
IOP	I/O Physical (Direct Disk Access)
IOT	I/O Teach for Configuring Disk Controller
IRD	Idle MPU Register Display
IRM	Idle MPU Register Modify
IRS	Idle MPU Register Set
LO	Load S-Records from Host
MA	Macro Define/Display
NOMA	Macro Delete
MAE	Macro Edit
MAL	Enable Macro Listing
NOMAL	Disable Macro Listing
MAR	Load Macros
MAW	Save Macros
MD, MDS	Memory Display
MENU	System Menu
M, MM	Memory Modify
MMD	Memory Map Diagnostic
MS	Memory Set
MW	Memory Write
NAB	Automatic Network Boot
NAP	Nap MPU
NBH	Network Boot Operating System, Halt
NBO	Network Boot Operating System
NIOC	Network I/O Control
NIOP	Network I/O Physical
NIOT	Network I/O Teach (Configuration)

Table 5-1. Debugger Commands (continued)

Command	Description
NPING	Network Ping
OF	Offset Registers Display/Modify
PA	Printer Attach
NOPA	Printer Detach
PBOOT	Bootstrap Operating System
PF	Port Format
NOPF	Port Detach
PFLASH	Program Flash Memory
PS	Put RTC into Power Save Mode
RB	ROMboot Enable
NORB	ROMboot Disable
RD	Register Display
REMOTE	Remote
RESET	Cold/Warm Reset
RL	Read Loop
RM	Register Modify
RS	Register Set
RUN	MPU Execution/Status
SD	Switch Directories
SET	Set Time and Date
SROM	SROM Examine/Modify
SYM	Symbol Table Attach
NOSYM	Symbol Table Detach
SYMS	Symbol Table Display/Search
T	Trace
TA	Terminal Attach
TIME	Display Time and Date
TM	Transparent Mode
TT	Trace to Temporary Breakpoint
VE	Verify S-Records Against Memory
VER	Revision/Version Display
WL	Write Loop



Although a command to allow the erasing and reprogramming of flash memory is available to you, keep in mind that reprogramming any portion of flash memory will erase everything currently contained in flash, including the PPCBug debugger.

Diagnostic Tests

The PPCBug hardware diagnostics are intended for testing and troubleshooting the PrPMC800/800ET module.

In order to use the diagnostics, you must switch to the diagnostic directory. You may switch between directories by using the **SD** (Switch Directories) command. You may view a list of the commands in the directory that you are currently in by using the **HE** (Help) command.

If you are in the debugger directory, the debugger prompt `PPC7-Bug>` displays, and all of the debugger commands are available. Diagnostics commands cannot be entered at the `PPC7-Bug>` prompt.

If you are in the diagnostic directory, the diagnostic prompt `PPC7-Diag>` displays, and all of the debugger and diagnostic commands are available.

PPCBug's diagnostic test groups are listed in the following table. Note that not all tests are performed on the PrPMC800/800ET. Using the **HE** command, you can list the diagnostic routines available in each test group. Refer to the *PPCBug Diagnostics Manual* for complete descriptions of the diagnostic routines and instructions on how to invoke them.

Table 5-2. Diagnostic Test Groups

Test Group	Description
AEM	Append Error Messages Mode
CEM	Clear Error Messages
CF	Configuration Editor
CL1283*	Parallel Interface (CL1283) Tests* (DIR)
DE	Display Errors
DEC**	DEC21x4x Ethernet Controller Tests
DEM	Display Error Messages
DP	Display Pass Count
EIDE	EIDE Tests (DIR)
HARRIER	HARRIER Tests
HE	Help on Tests/Commands
HEX	Help Extended
HOSTDMA	Host Bridge DMA Tests (DIR)
INET	Ethernet Controller (82559) Tests (DIR)

Table 5-2. Diagnostic Test Groups (continued)

Test Group	Description
ISABRDGE**	ISA Bridge Tests (DIR)
KBD8730x*	Keyboard/Mouse Controller Tests* (DIR)
L2CACHE	Level 2 Cache Tests (DIR)
LA	Loop Always Mode
LC	Loop Continuous Mode
LE	Loop on Error Mode
LF	Line Feed Mode
LN	Loop Non-Verbose Mode
MASK	Self Test Mask
MPIC	Self Test Mask
NCR**	NCR 53C8xx SCSI-2 I/O Processor Tests (DIR)
NV	Non-Verbose Mode
PAR8730x*	Parallel Interface (PC8730x) Test* (DIR)
PCI BUS	PCI/PMC Generic Tests (DIR)
PHB	PCI Host Bridge (Harrier) Tests (DIR)
QST	Quick Self Test (DIR)
RAM	Random Access Memory Tests (DIR)
RTC	Real Time Clock Timekeeping (DIR)
SCC	Serial Communications Controller (Z85C230) Tests (DIR)
SE	Stop on Error Mode
ST	Self Test (DIR)
UART	Serial Input/Output Tests (DIR)
VGA54xx**	VGA Controller (GD54xx) Tests
VME3**	VME3 (Universe) Tests (DIR)
Z8536*	Z8536 Counter/Timer Input/Output Tests* (DIR)
ZE	Zero Errors
ZP	Zero Pass Count

Notes You may enter command names in either uppercase or lowercase characters.

Some diagnostics depend on restart defaults that are set up only in a particular restart mode. Refer to the documentation on a particular diagnostic for the correct mode.

** PCI devices that are detected will be tested.

* Represent non-PCI devices that depend on the VPD SRAM to determine if a device is expected to be present. These devices are not located on the PrPMC800/800ET, but could reside on a carrier board.

Overview

You can use the factory-installed debug monitor, PPCBug, to modify certain parameters contained in the PrPMC800/800ET's Non-Volatile RAM (NVRAM), also known as Battery Backed-up RAM (BBRAM). NVRAM is located in the last 32K of flash bank A on the PrPMC800/800ET.

- ❑ The Board Information Block in NVRAM contains various elements concerning operating parameters of the hardware. Use the PPCBug command **CNFG** to change those parameters.
- ❑ Use the PPCBug command **ENV** to change configurable PPCBug parameters in NVRAM.

The **CNFG** and **ENV** commands are both described in the *PPCBug Firmware Package User's Manual*. Refer to that manual for general information about their use and capabilities.

The following paragraphs present additional information about **CNFG** and **ENV** that is specific to the PPCBug debugger, along with the parameters that can be configured with the **ENV** command.

Note Boards without NVRAM use the last 32K of flash bank A as substitute storage space. In these cases, there is no protection against user code being programmed over in this area.

CNFG – Configure Board Information Block

Use this command to display and configure the Board Information Block, which is resident within the NVRAM. The board information block contains various elements detailing specific operational parameters of the PrPMC800/800ET. The board structure for the PrPMC800/800ET is as shown in the following example:

```
Board (PWA) Serial Number      = "xxxxxxx"
Board Identifier                = "PrPMC800-xxxx"
Artwork (PWA) Identifier       = "01-w3649FxxD"
MPU Clock Speed                = "xxx"
Bus Clock Speed                = "100"
Ethernet Address               = 0001AFxxxxxx
Primary SCSI Identifier        = "07"
System Serial Number           = ""
```

```
System Identifier           = ""
License Identifier         = "xxxxxxx"
```

The parameters that are quoted are left-justified character (ASCII) strings padded with space characters, and the quotes (") are displayed to indicate the size of the string. Parameters that are not quoted are considered data strings, and data strings are right-justified. The data strings are padded with zeroes if the length is not met.

The Board Information Block is factory-configured before shipment. There is no need to modify block parameters unless the NVRAM is corrupted.

Refer to the *PrPMC800/800ET Processor PMC Module Programmer's Reference Guide* for the actual location and other information about the Board Information Block.

Refer to the *PPCBug Firmware Package User's Manual* for a description of **CNFG** and examples.

ENV – Set Environment

Use the **ENV** command to view and/or configure interactively all PPCBug operational parameters that are kept in NVRAM.

Refer to the *PPCBug Firmware Package User's Manual* for a description of the use of **ENV**. Additional information on registers are contained in your *PrPMC800/800ET Processor PMC Module Programmer's Reference Guide*.

Listed and described below are the parameters that you can configure using **ENV**. The default values shown were those in effect when this publication went to print.

Configuring the PPCBug Parameters

The parameters that can be configured using **ENV** are:

```
Bug or System environment [B/S] = B?
```

- B** Bug is the mode where no system type of support is displayed. However, system-related items are still available. (Default)
- S** System is the standard mode of operation, and is the default mode if NVRAM should fail. System mode is defined in the *PPCBug Firmware Package User's Manual*.

```
Field Service Menu Enable [Y/N] = N?
```

- Y** Display the field service menu.
- N** Do not display the field service menu. (Default)

Probe System for Supported I/O Controllers [Y/N] = Y?

- Y** Accesses will be made to the appropriate system buses (e.g., VMEbus, local MPU bus) to determine the presence of supported controllers. (Default)
- N** Accesses will not be made to the VMEbus to determine the presence of supported controllers.

Auto-Initialize of NVRAM Header Enable [Y/N] = Y?

- Y** NVRAM (PReP partition) header space will be initialized automatically during board initialization, but only if the PReP partition fails a sanity check. (Default)
- N** NVRAM header space will not be initialized automatically during board initialization.

Network PReP-Boot Mode Enable [Y/N] = N?

- Y** Enable PReP-style network booting (same boot image from a network interface as from a mass storage device).
- N** Do not enable PReP-style network booting. (Default)

SCSI Bus Reset on Debugger Startup [Y/N] = N?

- Y** Local SCSI bus is reset on debugger setup.
- N** Local SCSI bus is not reset on debugger setup. (Default)

Primary SCSI Bus Negotiations Type [A/S/N] = A?

- A** Asynchronous SCSI bus negotiation. (Default)
- S** Synchronous SCSI bus negotiation.
- N** None.

Primary SCSI Data Bus Width [W/N] = N?

- W** Wide SCSI (16-bit bus).
- N** Narrow SCSI (8-bit bus). (Default)

Secondary SCSI identifier = 07?

Select the identifier. (Default = 07.)

NVRAM Bootlist (GEV.fw-boot-path) Boot Enable [Y/N] = N?

- Y** Give boot priority to devices defined in the *fw-boot-path* global environment variable (GEV).
- N** Do not give boot priority to devices listed in the *fw-boot-path* GEV. (Default)

Note When enabled, the GEV (Global Environment Variable) boot takes priority over all other boots, including Autoboot and Network Boot.

NVRAM Bootlist (GEV.fw-boot-path) Boot at power-up only [Y/N] = N?

- Y** Give boot priority to devices defined in the *fw-boot-path* GEV at power-up reset only.
- N** Give power-up boot priority to devices listed in the *fw-boot-path* GEV at any reset. (Default)

NVRAM Bootlist (GEV.fw-boot-path) Boot Abort Delay = 5?

The time in seconds that a boot from the NVRAM boot list will delay before starting the boot. The purpose for the delay is to allow you the option of stopping the boot by use of the **BREAK** key. The time value is from 0-255 seconds. (Default = 5 seconds)

Auto Boot Enable [Y/N] = N?

- Y** The Autoboot function is enabled.
- N** The Autoboot function is disabled. (Default)

Auto Boot at power-up only [Y/N] = N?

- Y** Autoboot is attempted at power-up reset only.
- N** Autoboot is attempted at any reset. (Default)

Auto Boot Scan Enable [Y/N] = Y?

- Y** If Autoboot is enabled, the Autoboot process attempts to boot from devices specified in the scan list (e.g., FDISK/CDROM/TAPE/HDISK). (Default)
- N** If Autoboot is enabled, the Autoboot process uses the Controller LUN and Device LUN to boot.

Auto Boot Scan Device Type List = FDISK/CDROM/TAPE/HDISK?

This is the listing of boot devices displayed if the Autoboot Scan option is enabled. If you modify the list, follow the format shown above (uppercase letters, using forward slash as separator).

Auto Boot Controller LUN = 00?

Refer to the *PPCBug Firmware Package User's Manual* for a listing of disk/tape controller modules currently supported by PPCBug. (Default = \$00)

Auto Boot Device LUN = 00?

Refer to the *PPCBug Firmware Package User's Manual* for a listing of disk/tape devices currently supported by PPCBug. (Default = \$00)

Auto Boot Partition Number = 00?

Which disk "partition" is to be booted, as set forth in the specification pertaining to the PowerPC Reference Platform (PRP) architecture. If set to zero, the firmware will search the partitions in order (1, 2, 3, 4) until it finds the first "bootable" partition. That is then the partition that will be booted. Other acceptable values are 1, 2, 3, or 4. In these four cases, the partition specified will be booted without searching.

Auto Boot Abort Delay = 7?

The time in seconds that the Autoboot sequence will delay before starting the boot. The purpose for the delay is to allow you the option of stopping the boot by use of the **BREAK** key. The time value is from 0-255 seconds. (Default = 7 seconds)

Auto Boot Default String [NULL for an empty string] = ?

You may specify a string (filename) which is passed on to the code being booted. The maximum length of this string is 16 characters. (Default = null string)

ROM Boot Enable [Y/N] = N?

- Y** The ROMboot function is enabled.
- N** The ROMboot function is disabled. (Default)

ROM Boot at power-up only [Y/N] = Y?

- Y** ROMboot is attempted at power-up only. (Default)
- N** ROMboot is attempted at any reset.

ROM Boot Abort Delay = 5?

The time in seconds that the ROMboot sequence will delay before starting the boot. The purpose for the delay is to allow you the option of stopping the boot by use of the **BREAK** key. The time value is from 0-255 seconds. (Default = 5 seconds)

ROM Boot Direct Starting Address = FFF00000?

The first location tested when PPCBug searches for a ROMboot module. (Default = \$FFF00000)

ROM Boot Direct Ending Address = FFFFFFFC?

The last location tested when PPCBug searches for a ROMboot module. (Default = \$FFFFFFFC)

Network Auto Boot Enable [Y/N] = N?

- Y** The Network Auto Boot (NETboot) function is enabled.
- N** The NETboot function is disabled. (Default)

Network Auto Boot at power-up only [Y/N] = N?

- Y** NETboot is attempted at power-up reset only.
- N** NETboot is attempted at any reset. (Default)

Network Auto Boot Controller LUN = 00?

Refer to the *PPCBug Firmware Package User's Manual* for a listing of network controller modules currently supported by PPCBug. (Default = \$00)

Network Auto Boot Device LUN = 00?

Refer to the *PPC Bug Firmware Package User's Manual* for a listing of network controller modules currently supported by PPC Bug. (Default = \$00)

Network Auto Boot Abort Delay = 5?

The time in seconds that the NETboot sequence will delay before starting the boot. The purpose for the delay is to allow you the option of stopping the boot by use of the **BREAK** key. The time value is from 0-255 seconds. (Default = 5 seconds)

Network Auto Boot Configuration Parameters Offset (NVRAM) = 00001000?

The address where the network interface configuration parameters are to be saved/retained in NVRAM; these parameters are the necessary parameters to perform an unattended network boot. A typical offset might be \$1000, but this value is application-specific. (Default = \$00001000)



If you use the **NIOT** debugger command, these parameters need to be saved somewhere in the offset range \$00001000 through \$000016F7. The **NIOT** parameters do not exceed 128 bytes in size. The setting of this ENV pointer determines their location. If you have used the same space for your own program information or commands, they will be overwritten and lost.

You can relocate the network interface configuration parameters in this space by using the **ENV** command to change the Network Auto Boot Configuration Parameters Offset from its default of \$00001000 to the value you need to be clear of your data within NVRAM.

Note This number is still an offset within NVRAM. However, the NVRAM image for Bug is stored at the end of flash bank A (in the last 32K).

Memory Size Enable [Y/N] = Y?

- Y** Memory will be sized for Self Test diagnostics. (Default)
- N** Memory will not be sized for Self Test diagnostics.

Memory Size Starting Address = 00000000?

The default Starting Address is \$00000000.

Memory Size Ending Address = 02000000?

The default Ending Address is the calculated size of local memory. If the memory start is changed from \$00000000, this value will also need to be adjusted.

DRAM Speed in NANO Seconds = 60?

The default setting for this parameter will vary depending on the speed of the DRAM memory parts installed on the board. The default is set to the slowest speed found on the available banks of DRAM memory.

ROM First Access Length (0 - 31) = 10?

This is the value programmed into the “ROMFAL” field (Memory Control Configuration Register 8: bits 23-27) to indicate the number of clock cycles used in accessing the ROM. The lowest allowable ROMFAL setting is \$00; the highest allowable is \$1F. The value to enter depends on processor speed; refer to Chapter 1 or Appendix B for appropriate values. The default value varies according to the system’s bus clock speed.

Note ROM First Access Length is not applicable to the PrPMC800/800ET. The configured value is ignored by PPCBug.

ROM Next Access Length (0 - 15) = 0?

The value programmed into the “ROMNAL” field (Memory Control Configuration Register 8: bits 28-31) to represent wait states in access time for nibble (or burst) mode ROM accesses. The lowest allowable ROMNAL setting is \$0; the highest allowable is \$F. The value to enter depends on processor speed; refer to [Chapter 1, Preparation and Installation](#) or [Appendix B, Thermal Validation](#) for appropriate values. The default value varies according to the system’s bus clock speed.

Note ROM Next Access Length is not applicable to the PrPMC800/800ET. The configured value is ignored by PPCBug.

DRAM Parity Enable [On-Detection/Always/Never - O/A/N] = O?

- O DRAM parity is enabled upon detection. (Default)
- A DRAM parity is always enabled.
- N DRAM parity is never enabled.

Note This parameter (above) also applies to enabling ECC for DRAM.

L2 Cache Parity Enable [On-Detection/Always/Never - O/A/N] = O?

- O L2 Cache parity is enabled upon detection. (Default)
- A L2 Cache parity is always enabled.
- N L2 Cache parity is never enabled.

PCI Interrupts Route Control Registers (PIRQ0/1/2/3) = 0A0B0E0F?

Initializes the PIRQx (PCI Interrupts) route control registers in the IBC (PCI/ISA bus bridge controller). The **ENV** parameter is a 32-bit value that is divided by 4 to yield the values for route control registers PIRQ0/1/2/3. The default is determined by system type.

Note LED/Serial Startup Diagnostic Codes: these codes can be displayed at key points in the initialization of the hardware devices. Should the debugger fail to come up to a prompt, the last code displayed will indicate how far the initialization sequence had progressed before stalling. **Due to limitations**

imposed by storing the ENV parameters in flash, the Serial Startup codes are disabled for PrPMC800/800ET. The codes are enabled by an **ENV** parameter:

Serial Startup Code Master Enable [Y/N]=N?

A line feed can be inserted after each code is displayed to prevent it from being overwritten by the next code. This is also enabled by an **ENV** parameter:

Serial Startup Code LF Enable [Y/N]=N?

The list of LED/serial codes is included in the section on *MPU, Hardware, and Firmware Initialization* in Chapter 1 of the *PPCBUG Firmware Package User's Manual*.



Specifications

This appendix provides general specifications, including mechanical, electrical and thermal specifications, for the PrPMC800/800ET.

Mechanical Characteristics

The mechanical outline of the PrPMC800/800ET module conforms to the dimensions defined by a single wide, standard length PMC module (74mm x 149mm x 10mm stacking height). The side 2 component height of the PrPMC800/800ET conforms to the standard side 2 height dimension (3.5mm).

Electrical Characteristics

The PrPMC800/800ET only requires a 3.3V +/- 5% input. The estimated +3.3V current draw and power for various configurations of the PrPMC800/800ET are shown in the following table.

Table A-1. Power Requirements for PrPMC800/800ET

Module Configuration	Amps/Watts @ 3.3V	
	Typical	Maximum
100 MHz Bus with MPC750-Class Processor @ 450 MHz	3.42A/11.3W	4.00A/13.2W
100 MHz Bus with MPC7410 Processor @ 450 MHz – AltiVec disabled	3.27A/10.8W	3.82A/12.6W
100 MHz Bus with MPC7410 (N) Processor @ 400 MHz – AltiVec disabled	2.51A/8.28W	3.08A/10.2W
100 MHz Bus with MPC7410 Processor @ 500 MHz - AltiVec disabled	4.10A/13.5W	4.51A/14.9W

Environmental Characteristics

Table 0-1. PrPMC800/800ET Environmental Specifications

Characteristics		Specifications
Temperature	Operating	–40° C to 70° C (32° F to 148° F)
	Nonoperating	–40° C to 70° C (32° F to 148° F)
Altitude	Operating	4,000 meters (13,123 feet)
	Nonoperating	15,000 meters (49,212 feet)
Relative Humidity	Operating	5% to 85% (noncondensing)
	Nonoperating	5% to 95% (noncondensing)
Vibration	Operating	1.0 G sine sweep, 5.0 to 100 Hz, 25 octaves/min
	Nonoperating	0.5 G sine sweep; 5-50 Hz; 0.1 octaves/min 3.0 G sine sweep; 50-500 Hz; 0.25 octaves/min

EMC Compliance

The PrPMC800/800ET is an add-on module meant to be used in conjunction with standard VME, CompactPCI, or ATX baseboard applications. As such, it is the responsibility of the OEM to meet the regulatory guidelines as determined by their application.

The PrPMC800/800ET has been tested in conjunction with a standard ECC baseboard and chassis for CE certification and meets the requirements for EN55022 Class A equipment. Compliance was achieved under the following conditions:

- ❑ Shielded cables on all external I/O ports.
- ❑ Cable shields connected to earth ground via metal shell connectors bonded to a conductive module front panel.
- ❑ Conductive chassis rails connected to earth ground. This provides the path for connecting shields to earth ground.
- ❑ Front panel screws properly tightened.

For minimum RF emissions, it is essential that the conditions above be implemented. Failure to do so could compromise the EMC compliance of the equipment containing the module.



Overview

Board component temperatures are affected by ambient temperature, air flow, board electrical operation, and software operation. In order to evaluate the thermal performance of a circuit board assembly, it is necessary to test the board under actual operating conditions. These operating conditions vary depending on system design.

While Motorola performs thermal analysis in a representative system to verify operation within specified ranges (see [Table 0-1 on page 58](#)), you should evaluate the thermal performance of the board in your application.

This appendix provides systems integrators with information which can be used to conduct thermal evaluations of the board in their specific system configuration. It identifies thermally significant components and lists the corresponding maximum allowable component operating temperatures. It also provides example procedures for component-level temperature measurements.

Thermally Significant Components

[Table B-1 on page 60](#) summarizes components that exhibit significant temperature rises. These are the components that should be monitored in order to assess thermal performance. The table also supplies the component reference designator and the maximum allowable operating temperature.

You can find components on the board by their reference designators as shown in [Figure B-1](#) and [Figure B-2](#). Versions of the board that are not fully populated may not contain some of these components.

The preferred measurement location for a component may be *junction*, *case*, or *air* as specified in the table. Junction temperature refers to the temperature measured by an on-chip thermal device. Case temperature refers to the temperature at the top, center surface of the component. Air temperature refers to the ambient temperature near the component.

Table B-1. Thermally Significant Components

Component Location	General Description	Maximum Allowable Temperature (Degrees C)	Measurement Location (Junction, Case or Air)
U2	MPC750, 450MHz MPC7410, 450MHz MPC7410 (N), 400MHz	104 104 104	Case Case Case
U5	Harrier ASIC	104	Case
U6, U15	Cache SRAM	145	Case
U7-U10, U20-U24	SDRAM	85	Ambient
U1	Clock Chip	85	Ambient
U25, U26	Flash	85	Ambient
U4	Ethernet	85	Case
U3	RS232 Transceiver	85	Ambient
U14	Programmable Logic Device (PLD)	125	Case
U16, U17, U19	SROM	85	Ambient
Q2	2.5V Power Supply	130	Case
Q1	V_CORE Power Supply	130	Case

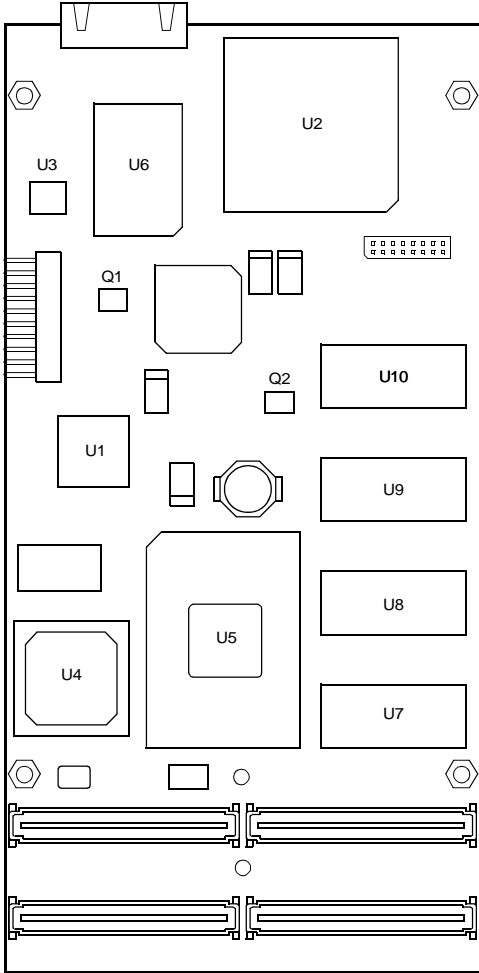
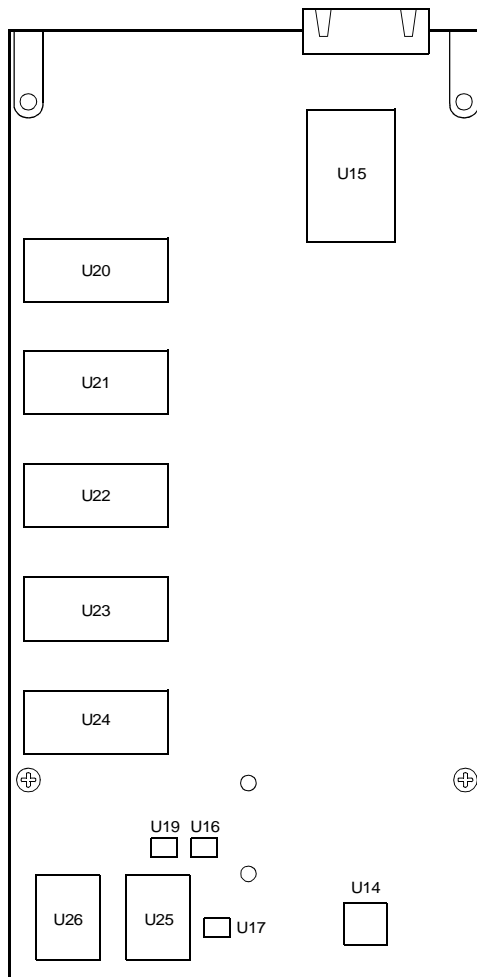


Figure B-1. Thermally Significant Components (Primary Side)



2934 0401

Figure B-2. Thermally Significant Components (Secondary Side)

Component Temperature Measurement

The following sections outline general temperature measurement methods. For the specific types of measurements required for thermal evaluation of this board, see [Table B-1](#).

Preparation

We recommend 40 AWG (American Wire Gauge) thermocouples for all thermal measurements. Larger gauge thermocouples can wick heat away from the components and disturb air flowing past the board.

Allow the board to reach thermal equilibrium before taking measurements. Most circuit boards will reach thermal equilibrium within 30 minutes. After the warm up period, monitor a small number of components over time to assure that equilibrium has been reached.

Measuring Junction Temperature

Some components have an on-chip thermal measuring device such as a thermal diode. For instructions on measuring temperatures using the on-board device, refer to the *PrPMC800/800ET Programmer's Reference Guide* and to the component manufacturer's documentation listed in [Appendix C, Related Documentation](#).

Measuring Case Temperature

Measure the case temperature at the center of the top of the component. Make sure there is good thermal contact between the thermocouple junction and the component. We recommend you use a thermally conductive adhesive such as Loctite 384.

If components are covered by mechanical parts such as heatsinks, you will need to machine these parts to route the thermocouple wire. Make sure that the thermocouple junction contacts *only* the electrical component. Also make sure that heatsinks lay flat on electrical components. The following figure shows one method of machining a heatsink base to provide a thermocouple routing path.

Note Machining a heatsink base reduces the contact area between the heatsink and the electrical component. You can partially compensate for this effect by filling the machined areas with thermal grease. The grease should not contact the thermocouple junction.

Measuring Local Air Temperature

Measure local component ambient temperature by placing the thermocouple downstream of the component. This method is conservative since it includes heating of the air by the component. The following figure illustrates one method of mounting the thermocouple.

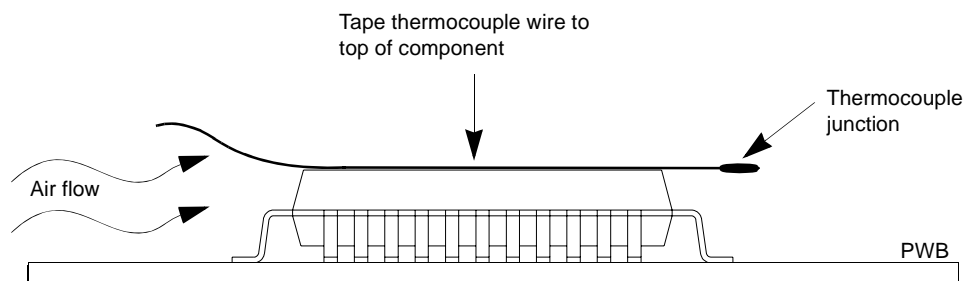


Figure B-3. Measuring Local Air Temperature

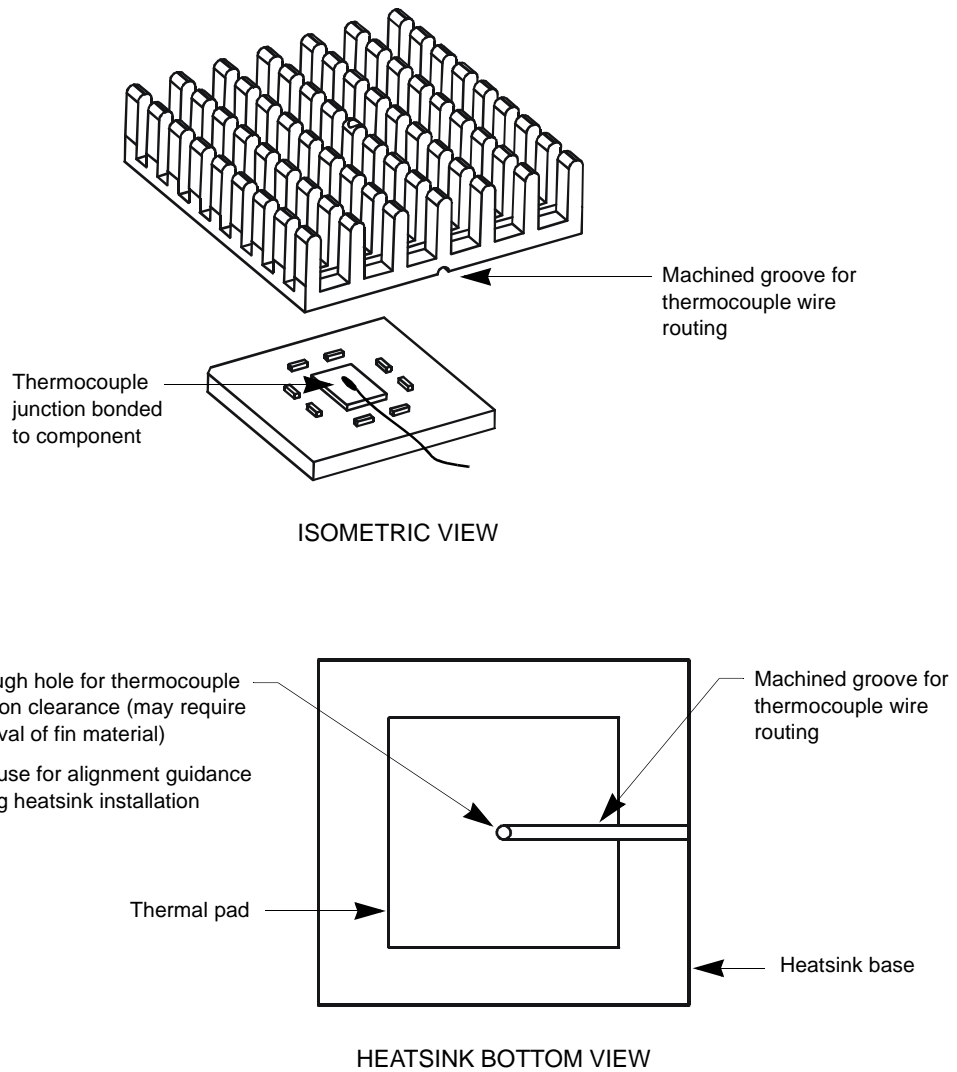


Figure B-4. Mounting a Thermocouple Under a Heatsink



Embedded Communications Computing Documents

The Motorola publications listed below are referenced in this manual. You can obtain electronic copies of Motorola publications by:

- ❑ Contacting your local Motorola sales office
- ❑ Visiting Embedded Communications Computing World Wide Web literature site, <http://www.motorola.com/computer/literature>.

Table C-1. Embedded Communications Computing Documents

Document Title	Publication Number
<i>PrPMC800/800ET Processor Programmer's Reference Guide</i>	PRPMC800A/PG
<i>Harrier ASIC Programmer's Reference Guide</i>	ASICHRA/PG
<i>PPCBug Firmware Package User's Manual (Parts 1 and 2)</i>	PPCBUGA1/UM PPCBUGA2/UM
<i>PPCBug Diagnostics Manual</i>	PPCDIAA/UM

Manufacturers' Documents

For additional information, refer to the following table for manufacturers' data sheets or user's manuals. As a further help, sources for the listed documents are also provided. Please note that while these sources have been verified, the information is subject to change without notice.

Table C-2. Manufacturers' Documents

Document Title and Source	Publication Number or Search Term
<i>MPC750 RISC Microprocessor Technical Summary</i> Freescale Product Information WebSite: http://e-www.motorola.com/webapp/DocLibServlet E-mail: ldcformotorola@hibbertco.com	MPC750/D
<i>MPC750 RISC Microprocessor User's Manual</i> <i>MPC7410 RISC Microprocessor User's Manual</i> Freescale Product Information WebSite: http://e-www.motorola.com/webapp/DocLibServlet E-mail: ldcformotorola@hibbertco.com OR IBM Microelectronics http://www-3.ibm.com/chips/techlib/	MPC750UMAD/D MPC7410UM/AD MPR750UMU-01
<i>Programming Environments Manual for the Family of 64-Bit Microprocessors that Implement the PowerPC Architecture</i> Freescale Product Information WebSite: http://e-www.motorola.com/webapp/DocLibServlet E-mail: ldcformotorola@hibbertco.com	MPCFPE/AD
<i>PowerPC Microprocessor Family: The Programming Environments for 32-Bit Microprocessors</i> IBM Microelectronics Web Site: http://www-3.ibm.com/chips/techlib/	G522-0290-01
Intel 82559ER Fast Ethernet PCI Bus Controller with Integrated PHY — External Design Specification; Intel Corporation; http://developer.intel.com/design/network/	82559ER
<i>3 Volt Intel StrataFlash® Memory, 28F128J3A</i> Intel Corporation Web: http://developer.intel.com/design/flash/	28F128J3A
<i>ATMEL 2-Wire Serial EEPROM Data Sheet, AT24C02</i> <i>ATMEL 2-Wire Serial EEPROM Data Sheet, AT24C64</i> Atmel Corporation Web: http://www.atmel.com	AT24C02 AT24C64
<i>TL16C550C Single UART with 16-Byte FIFO and Auto Flow Control</i> Texas Instruments Web: http://www.ti.com	TL16C550CFN

Related Specifications

The next table lists the product's related specifications. The appropriate source for the listed document is also provided. Please note that in many cases, the information is preliminary and the revision levels of the documents are subject to change without notice.

Table C-3. Related Specifications

Document Title and Source	Publication Number
VITA http://www.vita.com/	
VITA 32-199x Processor PMC Standard for Processor PMC Mezzanine Cards VITA (VMEbus International Trade Association)	ANSI/VITA32-199x
IEEE http://www.ieee.org	
IEEE - Common Mezzanine Card Specification (CMC) Institute of Electrical and Electronics Engineers, Inc.	P1386 Draft 2.1
IEEE - PCI Mezzanine Card Specification (PMC) Institute of Electrical and Electronics Engineers, Inc.	P1386.1 Draft 2.1
PCI Special Interest Group (PCI SIG) http://www.pcisig.com/	
Peripheral Component Interconnect (PCI) Local Bus Specification, Revision 2.0, 2.1, 2.2 PCI Special Interest Group	PCI Local Bus Specification
IBM for Specifications http://www.ibm.com	
PowerPC Reference Platform (PRP) Specification, Third Edition, Version 1.0, Volumes I and II International Business Machines Corporation	MPR-PPC-RPU-02
PowerPC Microprocessor Common Hardware Reference Platform: A System Architecture (CHRP), Version 1.0 Freescale Product Information http://http://www.freescale.com/webapp/sps/library/prod_lib.jsp/ E-mail: ldcformotorola@hibbertco.com OR	
Morgan Kaufmann Publishers, Inc. Telephone: (415) 392-2665 Telephone: 1-800-745-7323 http://www.mkp.com/books_catalog/	
Electronic Industries Alliance http://www.eia.org/	
Interface Between Data Terminal Equipment and Data Circuit-Terminating Equipment Employing Serial Binary Data Interchange; Electronic Industries Alliance; http://global.ihs.com/index.cfm (for publications)	TIA/EIA-232 Standard
PCI Industrial Manufacturers Group (PICMG) http://www.picmg.com/	
Compact PCI Specification	CPCI Rev. 2.1 Dated 9/2/97

Numerics

32-bit timers 21

A

ABORT# signal 26
abort/reset on debug header 26
adapter cable (Ethernet) 11
adapter cable, serial port 11
address sizes [xix](#)
ambient temperatures 60
 measuring 63
arbitration from Harrier ASIC 19
assembly language 40
asynchronous serial port 22
auto boot configuration parameters 53
autoboot enable 52

B

baud rate, debug serial port 11
BDFL (Board Fail) LED 10
big-endian byte ordering [xx](#)
bits per character, debug serial port 11
board component temperatures 59
board description 1
board fail LED 26
byte ordering [xx](#)
byte, definition of [xix](#)

C

cables 58
 debug serial port adapter 11
 Ethernet port adapter 11
carrier board requirements 2
certifications 58
chassis rails, grounding 58
clock generator 22
clock ratios and PCI bus speed 25
clock source location 2
command syntax, PPCBug 42
commands, debugger 43
commands, PPCBug 42
compliance 58
conductive chassis rails 58
configuration
 debug port 11
 Harrier ASIC 17
 PPCBug parameters 50
configuration header 5
configuration header, Harrier ASIC 26
configurations of PrPMC 2

Configure Board Information Block (CNFG)
 command 49
configuring for 66 MHz operation 2
configuring the hardware 4
connector descriptions 1
connector pin assignments 29
connectors
 Ethernet adapter (J3) 35
 PMC 24
Control and Status register, Harrier ASIC 21
control registers, PrPMC configuration 4
cooling requirements 59
CPU
 LED 10
 status 26

D

data sizes [xix](#)
debug firmware, PPCBug 39
debug header (J1) 22, 26, 35
 as abort or reset path 26
debug port (serial) 11
debugger
 basics 39
 commands 43
 directory 46
 firmware (PPCBug) 49
 prompt 40
description of board 1
diagnostics
 directory 46
 hardware 46
 prompt 40
 test groups 46
directories, debugger and diagnostic 46
DRAM speed 54

E

ECC SDRAM 20
electrical specifications 57
ENV command parameters
 auto boot abort delay 53
 auto boot controller 52
 auto boot default string 53
 auto boot device 52
 auto boot partition number 52
 L2 Cache Parity Enable 55
 memory size 54
 network auto boot controller 53
 NVRAM Bootlist 51
 Primary SCSI Bus Negotiations 51

- Primary SCSI Data Bus Width 51
- ROM Boot Enable 53
- SCSI Bus Reset on Debugger Startup 51
- Secondary SCSI identifier 51
- environmental parameters 49
- environmental specifications 58
- EReady signal 26
- ESD precautions 7
- Ethernet
 - adapter (J3) connector pinouts 35
 - channel 21
 - controller 21
 - port adapter cable 11
 - power-up configuration information 21
- Ethernet, connections 1
- evaluating thermal performance xviii, 59

F

- FAIL LED 26
- features
 - hardware 13
 - Harrier ASIC 16
- firmware on PrPMC 2
- firmware, PPCBug 39
 - initialization 41
- flash memory on PrPMC 19

G

- general description, PrPMC 14
- generation of interrupts 22

H

- half-word, definition of xix
- hardware
 - configuration 4
 - diagnostics 46
 - features 13
 - initialization 41
- Harrier ASIC
 - arbitration 19
 - Control and Status register 21
 - functionality on PrPMC board 16
 - power-up configuration 17
 - power-up configuration header 5, 26
 - power-up configuration header pinouts 37
- HE (Help) command 46
- header
 - debug 26
 - Harrier power-up configuration 26
- heatsink, machining 63
- Help (HE) command 46
- host board interface 1
- host/master function
 - role of PrPMC 2
- host/slave function
 - carrier board requirements 2

I

- IDSELB, REQb#, GNTb# signals, use of 25

- initialization process
 - as performed by firmware 41
 - on PrPMC 9
- installing the PrPMC board 8
- INTA#-INTD# signals 25
- interrupts 22

L

- L2 Cache Parity Enable parameter 55
- LED/serial startup diagnostic codes 55
- LEDs 10
- LEDs, status 26
- little-endian byte ordering xx
- location of jumper headers, connectors, components 4
- lowercase characters, commands and 47

M

- M66EN signal 25
- manufacturers' documents 66
- mechanical characteristics 57
- memory
 - flash 19
 - SDRAM 20
- memory maps 27
- memory requirements, PPCBug 40
- memory size 54
- memory size enable parameter 54
- Miscellaneous Control and Status register 21
- modes, master and slave 1
- monarch and non-monarch modes 1
- monarch operations with carrier board 2
- MONARCH# signal 25
- monarch, designation as host/master 2
- Motorola documents 65
- MPU initialization 41

N

- NETboot Enable parameter 53
- network auto boot controller parameter 53
- network auto boot enable parameter 53
- NIOT debugger command, use of 54
- non-monarch, designation as slave/target 2
- Non-Volatile RAM (NVRAM) 49, 50
- NVRAM Bootlist parameter 51

O

- onboard SDRAM 20
- operating parameters 49
- operating temperatures, maximum 59
- operation
 - parameter (Auto Boot Abort Delay) 53
 - parameter (Auto Boot Controller) 52
 - parameter (Auto Boot Default String) 53
 - parameter (Auto Boot Device) 52
 - parameter (Auto Boot Partition Number) 52
 - parameter (L2 Cache Parity Enable) 55
 - parameter (Memory Size) 54
 - parameter (Network Auto Boot Controller) 53
 - parameter (NVRAM Bootlist) 51

- parameter (Primary SCSI Bus Negotiations) 51
- parameter (Primary SCSI Data Bus Width) 51
- parameter (ROM Boot Enable) 53
- parameter (SCSI bus reset on debugger startup) 51
- parameter (Secondary SCSI identifier) 51

P

- parity on debug serial port 11
- PCI interface 24
- PCI interrupt signals 25
- physical dimensions, PrPMC board 57
- pin assignments
 - configuration header 5
 - debug header (J1) 35
 - Ethernet adapter connector (J3) 35
 - Harrier power-up configuration header 37
 - PMC connector P11 29
 - PMC connector P12 31
 - PMC connector P13 32
 - PMC connector P14 33
 - PMC connectors 29
- PMC connectors 24, 29
- power requirements 23
- powering up the PrPMC 9
- PPC7-Bug> 40, 46
- PPC7-Diag> 40, 46
- PPCBug
 - basics 39
 - command syntax 42
 - commands 42
 - debugger firmware 49
 - functionality 40
 - memory requirements 40
 - prompt 40
- pre-install checklist 3
- PRESENT# signal 25
- Primary SCSI Bus Negotiations parameter 51
- Primary SCSI Data Bus Width parameter 51
- prompts, debugger 40, 46
- PrPMC
 - description 1
 - firmware 2
 - flash memory 19
 - general description 14
 - Harrier ASIC 16
 - MONARCH# signal 25
 - on-board SROM 20
 - PCI interrupt signals 25
 - PMC connectors 29
 - PRESENT# signal 25
 - voltage requirements 23
- PrPMC board
 - configuration 4
 - initialization 9
 - installation 7
 - LEDs 10
 - status indicators 10

R

- related documentation 65
- related specifications 67
- reset logic 23
- reset signal 25
- reset sources 23
- RESET# signal 26
- RESETOUT_L signal 25
- restart mode 47
- RF emissions 58
- ROM Boot Enable parameter 53
- ROM First Access Length parameter 55
- ROMboot enable 55
- ROMboot Enable parameter 53, 55
- ROMFAL 55
- ROMNAL (ROM Next Access Length) parameter 55
- routing of interrupts 22
- RS-232 port 11

S

- SCSI bus 51
- SCSI reset on debugger startup 51
- SD command 46
- Secondary SCSI identifier 51
- serial debug port 22
- serial port configuration 11
- Set Environment to Bug/Operating System (ENV)
 - command 50
- shielded cables (see also cables) 58
- signals
 - ABORT# and RESET# 26
 - EReady 26
 - IDSELB, REQb#, GNTb# 25
 - INTA#-INTD# 25
 - M66EN 25
 - PRESENT# 25
- slave/target, PrPMC role 2
- slot requirements 2
- SPD (Serial Presence Detect) data
 - where stored 20
- specifications 57, 59
- SROM on the PrPMC 20
- start-up procedures 3
- status indicators, location of 10
- status LEDs 26
- stop bits per character, debug serial port 11
- system enclosure requirements 2

T

- temperature measurement 60, 62, 63
- temperatures, component 59
- testing the hardware 46
- thermal performance 59
- timers on Harrier ASIC 21
- troubleshooting the PrPMC 46

U

- unpacking the hardware 4

uppercase characters, commands and [47](#)

V

validation, thermal [59](#)
voltage requirements [23](#)
 PCI signaling [26](#)
 PrPMC board [57](#)

VPD information, where stored [20](#)

W

Watchdog timers [21](#)
WDT0 timer on Harrier ASIC [21](#)
WDT1 timer on Harrier ASIC [21](#)
word, definition of [xix](#)

Free Manuals Download Website

<http://myh66.com>

<http://usermanuals.us>

<http://www.somanuals.com>

<http://www.4manuals.cc>

<http://www.manual-lib.com>

<http://www.404manual.com>

<http://www.luxmanual.com>

<http://aubethermostatmanual.com>

Golf course search by state

<http://golfingnear.com>

Email search by domain

<http://emailbydomain.com>

Auto manuals search

<http://auto.somanuals.com>

TV manuals search

<http://tv.somanuals.com>