

***lenovo***

ThinkCentre  
Hardware Maintenance Manual



ThinkThink**ThinkCentre**Think

Machine Types: 3656, 3658, 7057, 7061, 7062, 7090, 7092, 9342, 9344, 9353, 9354, 9421, 9426, 9485, 9486, 9623, 9624, 9625, 9705, 9707, 9786, 9787, 9795, 9804, 9935, 9945, 9946, and 9953.





# ThinkCentre Hardware Maintenance Manual

Machine Types: 3656, 3658, 7057, 7061, 7062, 7090, 7092, 9342, 9344, 9353, 9354, 9421, 9426, 9485, 9486, 9623, 9624, 9625, 9705, 9707, 9786, 9787, 9795, 9804, 9935, 9945, 9946, and 9953.

**Note:** Before using this information and the product it supports, be sure to read the information under Appendix A "Notices" on page 471.

**Thirteenth Edition (July 2010)**

**© Copyright Lenovo 2008, 2010.**

LENOVO products, data, computer software, and services have been developed exclusively at private expense and are sold to governmental entities as commercial items as defined by 48 C.F.R. 2.101 with limited and restricted rights to use, reproduction and disclosure.

LIMITED AND RESTRICTED RIGHTS NOTICE: If products, data, computer software, or services are delivered pursuant a General Services Administration "GSA" contract, use, reproduction, or disclosure is subject to restrictions set forth in Contract No. GS-35F-05925.

---

# Contents

## Chapter 1. About this manual . . . . . 1

Important Safety Information . . . . .	1
Important information about replacing RoHS compliant FRUs . . . . .	1

## Chapter 2. Safety information . . . . . 3

General safety . . . . .	3
Electrical safety . . . . .	3
Voltage-selection switch . . . . .	5
Safety inspection guide . . . . .	5
Handling electrostatic discharge-sensitive devices . . . . .	6
Grounding requirements . . . . .	6
Safety notices (multi-lingual translations) . . . . .	6

## Chapter 3. General information. . . . . 29

The ThinkVantage Productivity Center program . . . . .	29
Additional information resources . . . . .	29
Specifications . . . . .	29
For machine types: 7057, 7062, 7092, 9342, 9344, 9354, 9426, 9486, 9624, 9707, 9787, 9804, 9945 . . . . .	29
For machine types: 7061, 7090, 9353, 9421, 9485, 9623, 9625, 9705, 9786, 9795, 9935, 9946, 9953 . . . . .	29

## Chapter 4. General Checkout. . . . . 31

Problem determination tips. . . . .	31
-------------------------------------	----

## Chapter 5. Diagnostics . . . . . 33

Lenovo System Toolbox . . . . .	33
PC-Doctor for Windows PE. . . . .	33
Running diagnostics from the Rescue and Recovery workspace . . . . .	33
PC-Doctor for DOS. . . . .	34
Creating a diagnostic CD image . . . . .	34
Creating diagnostic diskettes . . . . .	34
Running diagnostics from the CD or diskettes . . . . .	34
Navigating through the diagnostics programs . . . . .	35
Running tests . . . . .	35
Viewing the test log . . . . .	36

## Chapter 6. Using the Setup Utility . . . . . 39

Starting the Setup Utility program . . . . .	39
Viewing and changing settings . . . . .	39
Using passwords. . . . .	39
Password considerations. . . . .	39

User Password. . . . .	40
Administrator Password . . . . .	40
Setting, changing, and deleting a password . . . . .	40
Enabling or disabling a device . . . . .	40
Selecting a startup device . . . . .	41
Selecting a temporary startup device . . . . .	41
Selecting or changing the startup device sequence . . . . .	41
Exiting from the Setup Utility program . . . . .	41

## Chapter 7. Symptom-to-FRU Index . . . . . 43

Hard disk drive boot error . . . . .	43
Power Supply Problems . . . . .	43
Diagnostic error codes . . . . .	44
Beep symptoms . . . . .	61
POST error codes . . . . .	62
Miscellaneous error messages . . . . .	63
Undetermined problems . . . . .	65

## Chapter 8. Replacing FRUs (Types 7061, 7090, 9353, 9421, 9485, 9623, 9625, 9705, 9786, 9795, 9935, 9946, 9953). . . . . 67

Locating controls and connectors on the front of your computer. . . . .	67
Rear connectors . . . . .	67
Removing the cover . . . . .	68
Locations. . . . .	69
Locating parts on the system board . . . . .	71
Removing and replacing the front bezel . . . . .	71
Replacing the power supply . . . . .	72
Replacing the system board . . . . .	73
Replacing the microprocessor . . . . .	77
Replacing a memory module . . . . .	79
Replacing a PCI adapter card . . . . .	80
Replacing the hard disk drive . . . . .	82
Replacing an optical drive . . . . .	84
Replacing the diskette drive . . . . .	85
Replacing the rear fan assembly. . . . .	86
Replacing the front fan assembly . . . . .	87
Replacing the front audio/USB assembly . . . . .	89
Replacing the power switch/LED assembly . . . . .	89
Replacing the CMOS battery . . . . .	90
Completing the FRU replacement . . . . .	91

## Chapter 9. Replacing FRUs (Types 7057, 7062, 7092, 9342, 9344, 9354,

<b>9426, 9486, 9624, 9707, 9787, 9804, 9945).</b>	<b>93</b>
Rear connectors . . . . .	93
Removing the cover . . . . .	94
Locations. . . . .	94
Locating parts on the system board . . . . .	95
Accessing system board components and drives . . . . .	96
Replacing a memory module . . . . .	97
Replacing the CMOS battery . . . . .	98
Replacing the power supply . . . . .	99
Replacing the system board . . . . .	100
Replacing the microprocessor . . . . .	104
Replacing the hard disk drive . . . . .	106
Replacing an optical drive . . . . .	108
Replacing the diskette drive . . . . .	109
Replacing the power switch/LED assembly . . . . .	109
Replacing the front panel card . . . . .	110
Replacing the system fan assembly . . . . .	111
Replacing a PCI adapter card . . . . .	112
Completing the FRU replacement . . . . .	113
<b>Chapter 10. FRU lists . . . . .</b>	<b>115</b>
Machine Type 3656 . . . . .	115
Machine Type 3658 . . . . .	128
Machine Type 7057 . . . . .	141
Machine Type 7061 . . . . .	155
Machine Type 7062 . . . . .	168
Machine Type 7090 . . . . .	182
Machine Type 7092 . . . . .	195
Machine Type 9342 . . . . .	208
Machine Type 9344 . . . . .	221
Machine Type 9353 . . . . .	234
Machine Type 9354 . . . . .	247
Machine Type 9421 . . . . .	260

Machine Type 9426 . . . . .	273
Machine Type 9485 . . . . .	286
Machine Type 9486 . . . . .	302
Machine Type 9623 . . . . .	318
Machine Type 9624 . . . . .	331
Machine Type 9625 . . . . .	344
Machine Type 9705 . . . . .	358
Machine Type 9707 . . . . .	371
Machine Type 9795 . . . . .	385
Machine Type 9804 . . . . .	398
Machine Type 9935 . . . . .	411
Machine Type 9945 . . . . .	425
Machine Type 9946 . . . . .	439
Machine Type 9953 . . . . .	452

**Chapter 11. Additional Service Information . . . . . 467**

Security features . . . . .	467
Hardware controlled Passwords . . . . .	467
Operating system password . . . . .	467
Vital product data. . . . .	467
BIOS levels . . . . .	467
Flash update procedures . . . . .	467
Updating (flashing) BIOS from a diskette. . . . .	468
Recovering from a POST/BIOS update failure . . . . .	468
Power management . . . . .	468
Automatic configuration and power interface (ACPI) BIOS . . . . .	468
Automatic Power-On features . . . . .	468

**Appendix A. Notices . . . . . 471**

Television output notice . . . . .	472
Trademarks . . . . .	472

---

## Chapter 1. About this manual

This manual contains service and reference information for ThinkCentre® computers listed on the cover. It is intended only for trained servicers who are familiar with Lenovo computer products.

Before servicing a Lenovo product, be sure to read the Safety Information. See Chapter 2 "Safety information" on page 3.

The Symptom-to-FRU Index and Additional Service Information chapters are not specific to any machine type and are applicable to all ThinkCentre computers.

This manual includes a complete FRU part number listing for each machine type and model listed on the cover. If you have internet access, FRU part numbers are also available at:  
<http://www.lenovo.com/support>

---

### Important Safety Information

Be sure to read all caution and danger statements in this book before performing any of the instructions.

Veillez lire toutes les consignes de type DANGER et ATTENTION du présent document avant d'exécuter les instructions.

Lesen Sie unbedingt alle Hinweise vom Typ "ACHTUNG" oder "VORSICHT" in dieser Dokumentation, bevor Sie irgendwelche Vorgänge durchführen

Leggere le istruzioni introdotte da ATTENZIONE e PERICOLO presenti nel manuale prima di eseguire una qualsiasi delle istruzioni

Certifique-se de ler todas as instruções de cuidado e perigo neste manual antes de executar qualquer uma das instruções

Es importante que lea todas las declaraciones de precaución y de peligro de este manual antes de seguir las instrucciones.

تأكد من قراءة كل التحذيرات الموجودة في هذا الكتاب قبل اتباع هذه التعليمات .

执行任何说明之前，请确保已阅读本书中的所有警告和危险声明。

執行任何指示前，請確實閱讀本書中的所有警告及危險聲明。

ודאו שקראתם את כל הודעות האזהרה והסכנה במסמך זה לפני שתבצעו פעולה כלשהי.

본 사용 설명서에 기재된 내용을 실행하기 전에 모든 주의사항 및 위험사항을 숙지하십시오.

---

### Important information about replacing RoHS compliant FRUs

**RoHS, The Restriction of Hazardous Substances in Electrical and Electronic Equipment Directive (2002/95/EC) is a European Union legal requirement affecting the global electronics industry. RoHS requirements must be implemented on Lenovo products placed on the market and sold in the European Union after June 2006. Products on the market before June 2006 are not required to have RoHS compliant parts. If the parts are not compliant originally, replacement parts can also**

**be noncompliant, but in all cases, if the parts are compliant, the replacement parts must also be compliant.**

**Note:** RoHS and non-RoHS FRU part numbers with the same fit and function are identified with unique FRU part numbers.

Lenovo plans to transition to RoHS compliance well before the implementation date and expects its suppliers to be ready to support Lenovo's requirements and schedule in the EU. Products sold in 2005, will contain some RoHS compliant FRUs. The following statement pertains to these products and any product Lenovo produces containing RoHS compliant parts.

RoHS compliant ThinkCentre parts have unique FRU part numbers. Before or after June, 2006, failed RoHS compliant parts must always be replaced using RoHS compliant FRUs, so only the FRUs identified as compliant in the system HMM or direct substitutions for those FRUs can be used.

Products marketed before June 2006		Products marketed after June 2006	
Current or original part	Replacement FRU	Current or original part	Replacement FRU
Non-RoHS	Can be Non-RoHS	Must be RoHS	Must be RoHS
Non-RoHS	Can be RoHS		
Non-RoHS	Can sub to RoHS		
RoHS	Must be RoHS		

**Note:** A direct substitution is a part with a different FRU part number that is automatically shipped by the distribution center at the time of order.



---

## Chapter 2. Safety information

This chapter contains the safety information that you need to be familiar with before servicing a computer.

---

### General safety

Follow these rules to ensure general safety:

- Observe good housekeeping in the area of the machines during and after maintenance.
- When lifting any heavy object:
  1. Ensure you can stand safely without slipping.
  2. Distribute the weight of the object equally between your feet.
  3. Use a slow lifting force. Never move suddenly or twist when you attempt to lift.
  4. Lift by standing or by pushing up with your leg muscles; this action removes the strain from the muscles in your back. *Do not attempt to lift any objects that weigh more than 16 kg (35 lb) or objects that you think are too heavy for you.*
- Do not perform any action that causes hazards to the customer, or that makes the equipment unsafe.
- Before you start the machine, ensure that other service representatives and the customer's personnel are not in a hazardous position.
- Place removed covers and other parts in a safe place, away from all personnel, while you are servicing the machine.
- Keep your tool case away from walk areas so that other people will not trip over it.
- Do not wear loose clothing that can be trapped in the moving parts of a machine. Ensure that your sleeves are fastened or rolled up above your elbows. If your hair is long, fasten it.
- Insert the ends of your necktie or scarf inside clothing or fasten it with a nonconductive clip, approximately 8 centimeters (3 inches) from the end.
- Do not wear jewelry, chains, metal-frame eyeglasses, or metal fasteners for your clothing.  
**Remember:** Metal objects are good electrical conductors.
- Wear safety glasses when you are: hammering, drilling soldering, cutting wire, attaching springs, using solvents, or working in any other conditions that might be hazardous to your eyes.
- After service, reinstall all safety shields, guards, labels, and ground wires. Replace any safety device that is worn or defective.
- Reinstall all covers correctly before returning the machine to the customer.

---

### Electrical safety



#### **CAUTION:**

**Electrical current from power, telephone, and communication cables can be hazardous. To avoid personal injury or equipment damage, disconnect the attached power cords, telecommunication systems, networks, and modems before you open the server/workstation covers, unless instructed otherwise in the installation and configuration procedures.**

Observe the following rules when working on electrical equipment.

**Important:** Use only approved tools and test equipment. Some hand tools have handles covered with a soft material that does not insulate you when working with live electrical currents.

Many customers have, near their equipment, rubber floor mats that contain small conductive fibers to decrease electrostatic discharges. Do not use this type of mat to protect yourself from electrical shock.

- Find the room emergency power-off (EPO) switch, disconnecting switch, or electrical outlet. If an electrical accident occurs, you can then operate the switch or unplug the power cord quickly.
- Do not work alone under hazardous conditions or near equipment that has hazardous voltages.
- Disconnect all power before:
  - Performing a mechanical inspection
  - Working near power supplies
  - Removing or installing Field Replaceable Units
- Before you start to work on the machine, unplug the power cord. If you cannot unplug it, ask the customer to power-off the wall box that supplies power to the machine and to lock the wall box in the off position.
- If you need to work on a machine that has exposed electrical circuits, observe the following precautions:
  - Ensure that another person, familiar with the power-off controls, is near you.  
**Remember:** Another person must be there to switch off the power, if necessary.
  - Use only one hand when working with powered-on electrical equipment; keep the other hand in your pocket or behind your back.  
**Remember:** There must be a complete circuit to cause electrical shock. By observing the above rule, you may prevent a current from passing through your body.
  - When using testers, set the controls correctly and use the approved probe leads and accessories for that tester.
  - Stand on suitable rubber mats (obtained locally, if necessary) to insulate you from grounds such as metal floor strips and machine frames.

Observe the special safety precautions when you work with very high voltages; these instructions are in the safety sections of maintenance information. Use extreme care when measuring high voltages.

- Regularly inspect and maintain your electrical hand tools for safe operational condition.
- Do not use worn or broken tools and testers.
- *Never assume* that power has been disconnected from a circuit. First, *check* that it has been powered-off.
- Always look carefully for possible hazards in your work area. Examples of these hazards are moist floors, nongrounded power extension cables, power surges, and missing safety grounds.
- Do not touch live electrical circuits with the reflective surface of a plastic dental mirror. The surface is conductive; such touching can cause personal injury and machine damage.
- Do not service the following parts with the power on when they are removed from their normal operating places in a machine:
  - Power supply units
  - Pumps
  - Blowers and fans
  - Motor generatorsand similar units. (This practice ensures correct grounding of the units.)
- If an electrical accident occurs:
  - Use caution; do not become a victim yourself.
  - Switch off power.
  - Send another person to get medical aid.

---

## Voltage-selection switch

Some computers are equipped with a voltage-selection switch located near the power-cord connection point on the computer. If your computer has a voltage-selection switch, ensure that you set the switch to match the voltage available at your electrical outlet. Setting the voltage-selection switch incorrectly can cause permanent damage to the computer.

If your computer does not have a voltage-selection switch, your computer is designed to operate only at the voltage provided in the country or region where the computer was originally purchased.

If you relocate your computer to another country, be aware of the following:

- If your computer does not have a voltage-selection switch, do not connect the computer to an electrical outlet until you have verified that the voltage provided is the same as it was in the country or region where the computer was originally purchased.
- If your computer has a voltage selection switch, do not connect the computer to an electrical outlet until you have verified that the voltage-selection switch is set to match the voltage provided in that country or region.

If you are not sure of the voltage provided at your electrical outlet, contact your local electric company or refer to official Web sites or other literature for travelers to the country or region where you are located.

---

## Safety inspection guide

The intent of this inspection guide is to assist you in identifying potentially unsafe conditions on these products. Each machine, as it was designed and built, had required safety items installed to protect users and service personnel from injury. This guide addresses only those items. However, good judgment should be used to identify potential safety hazards due to attachment of features or options not covered by this inspection guide.

If any unsafe conditions are present, you must determine how serious the apparent hazard could be and whether you can continue without first correcting the problem.

Consider these conditions and the safety hazards they present:

- Electrical hazards, especially primary power (primary voltage on the frame can cause serious or fatal electrical shock).
- Explosive hazards, such as a damaged CRT face or bulging capacitor
- Mechanical hazards, such as loose or missing hardware

The guide consists of a series of steps presented in a checklist. Begin the checks with the power off, and the power cord disconnected.

Checklist:

1. Check exterior covers for damage (loose, broken, or sharp edges).
2. Power-off the computer. Disconnect the power cord.
3. Check the power cord for:
  - a. A third-wire ground connector in good condition. Use a meter to measure third-wire ground continuity for 0.1 ohm or less between the external ground pin and frame ground.
  - b. The power cord should be the appropriate type as specified in the parts listings.
  - c. Insulation must not be frayed or worn.
4. Remove the cover.

5. Check for any obvious alterations. Use good judgment as to the safety of any alterations.
6. Check inside the unit for any obvious unsafe conditions, such as metal filings, contamination, water or other liquids, or signs of fire or smoke damage.
7. Check for worn, frayed, or pinched cables.
8. Check that the power-supply cover fasteners (screws or rivets) have not been removed or tampered with.

---

## Handling electrostatic discharge-sensitive devices

Any computer part containing transistors or integrated circuits (ICs) should be considered sensitive to electrostatic discharge (ESD). ESD damage can occur when there is a difference in charge between objects. Protect against ESD damage by equalizing the charge so that the machine, the part, the work mat, and the person handling the part are all at the same charge.

### Notes:

1. Use product-specific ESD procedures when they exceed the requirements noted here.
2. Make sure that the ESD protective devices you use have been certified (ISO 9000) as fully effective.

When handling ESD-sensitive parts:

- Keep the parts in protective packages until they are inserted into the product.
- Avoid contact with other people while handling the part.
- Wear a grounded wrist strap against your skin to eliminate static on your body.
- Prevent the part from touching your clothing. Most clothing is insulative and retains a charge even when you are wearing a wrist strap.
- Use the black side of a grounded work mat to provide a static-free work surface. The mat is especially useful when handling ESD-sensitive devices.
- Select a grounding system, such as those listed below, to provide protection that meets the specific service requirement.

**Note:** The use of a grounding system is desirable but not required to protect against ESD damage.

- Attach the ESD ground clip to any frame ground, ground braid, or green-wire ground.
- Use an ESD common ground or reference point when working on a double-insulated or battery-operated system. You can use coax or connector-outside shells on these systems.
- Use the round ground-prong of the ac plug on ac-operated computers.

---

## Grounding requirements

Electrical grounding of the computer is required for operator safety and correct system function. Proper grounding of the electrical outlet can be verified by a certified electrician.

---

## Safety notices (multi-lingual translations)

The caution and danger safety notices in this section are provided in the following languages:

- English
- Arabic
- Brazilian/Portuguese
- Chinese (simplified)
- Chinese (traditional)

- French
- German
- Hebrew
- Italian
- Korean
- Spanish



**DANGER**

Electrical current from power, telephone and communication cables is hazardous.

**To avoid a shock hazard:**

- **Do not connect or disconnect any cables or perform installation, maintenance, or reconfiguration of this product during an electrical storm.**
- **Connect all power cords to a properly wired and grounded electrical outlet.**
- **Connect to properly wired outlets any equipment that will be attached to this product.**
- **When possible, use one hand only to connect or disconnect signal cables.**
- **Never turn on any equipment when there is evidence of fire, water, or structural damage.**
- **Disconnect the attached power cords, telecommunications systems, networks, and modems before you open the device covers, unless instructed otherwise in the installation and configuration procedures.**
- **Connect and disconnect cables as described in the following tables when installing, moving, or opening covers on this product or attached devices.**

To Connect	To Disconnect
1. Turn everything OFF. 2. First, attach all cables to devices. 3. Attach signal cables to connectors. 4. Attach power cords to outlet. 5. Turn device ON.	1. Turn everything OFF. 2. First, remove power cords from outlet. 3. Remove signal cables from connectors. 4. Remove all cables from devices.



**CAUTION:**

**When replacing the lithium battery, use only Part Number 33F8354 or an equivalent type battery recommended by the manufacturer. If your system has a module containing a lithium battery, replace it only with the same module type made by the same manufacturer. The battery contains lithium and can explode if not properly used, handled, or disposed of.**

**Do not:**

- **Throw or immerse into water**
- **Heat to more than 100°C (212°F)**
- **Repair or disassemble**

Dispose of the battery as required by local ordinances or regulations.



**CAUTION:**

When laser products (such as CD-ROMs, DVD-ROM drives, fiber optic devices, or transmitters) are installed, note the following:

- Do not remove the covers. Removing the covers of the laser product could result in exposure to hazardous laser radiation. There are no serviceable parts inside the device.
- Use of controls or adjustments or performance of procedures other than those specified herein might result in hazardous radiation exposure.



**DANGER**

Some laser products contain an embedded Class 3A or Class 3B laser diode. Note the following:

Laser radiation when open. Do not stare into the beam, do not view directly with optical instruments, and avoid direct exposure to the beam.



≥18 kg (37 lbs)



≥32 kg (70.5 lbs)



≥55 kg (121.2 lbs)

**CAUTION:**

Use safe practices when lifting.



**CAUTION:**

The power control button on the device and the power switch on the power supply do not turn off the electrical current supplied to the device. The device also might have more than one power cord. To remove all electrical current from the device, ensure that all power cords are disconnected from the power source.



التيار الكهربائي الموجود بمصدر الطاقة أو أجهزة التليفون أو أسلاك الاتصالات يشكل خطورة.

لتفادي مخاطر الصدمات الكهربائية:

لا تحاول توصيل أو فصل أي أسلاك أو القيام بعمليات تركيب أو صيانة أو إعادة توصيف لهذا المنتج أثناء وجود عاصفة كهربائية.

يجب توصيل كل أسلاك الكهرباء في مخارج كهرباء ذات توصيلات أسلاك وتوصيلات أرضية صحيحة  
يجب توصيل أي جهاز سيتم الحاقه بهذا المنتج في مخارج كهرباء ذات توصيلات أسلاك صحيحة.

وإن أمكن يجب استخدام يد واحدة فقط في توصيل أو فصل أسلاك الإشارة.

لا تحاول تشغيل أي جهاز إذا كان هناك أثر لحرق أو مياه أو تلف بالمكونات

يجب فصل أسلاك الكهرباء وأنظمة الاتصالات وشبكات الاتصال وأجهزة المودم الملحقة قبل فتح أغطية الجهاز، مالم يتم طلب خلاف ذلك في التعليمات الخاصة بالتركيب والتوصيف.  
قم بتوصيل وفصل الأسلاك كما هو موضح في الجدول التالي وذلك عند القيام بعمليات التركيب أو النقل أو فتح أغطية هذا المنتج أو الأجهزة الملحقة.

للفصل:

- قم بإيقاف كل شيء.
- أولاً، قم بفصل كل أسلاك الكهرباء من المخرج.
- قم بفصل أسلاك الإشارة من الموصلات.
- قم بفصل كل الأسلاك من الأجهزة.

للتوصيل:

- قم بإيقاف كل شيء.
- أولاً، قم بتوصيل كل الأسلاك بالأجهزة.
- قم بتوصيل أسلاك الإشارة في لموصلات.
- قم بتوصيل أسلاك الكهرباء في المخارج.
- قم بتشغيل الجهاز.



تنبيه:

عند استبدال البطارية الليثيوم، استخدم فقط رقم الجزء الخاص **Part Number 45C1566** أو نوع آخر يكون على نفس مستوى الكفاءة يحدده لك المصنع.  
إذا كان النظام الخاص يستخدم معه بطارية ليثيوم قم باستبدالها بنفس النوع الذي تم صناعته من خلال نفس المصنع. تحتوي البطارية على مادة الليثيوم ويمكن أن تنفجر في حالة عدم استخدامها أو التعامل معها بطريقة صحيحة أو عند التخلص منها بطريقة خطأ.

لا تقم بـ:

- القاء البطارية أو غمرها في الماء
- تسخينها أعلى من ١٠٠ درجة مئوية (٢١٢ ° فهرنهايت)
- بتصلحها أو فكها

تخلص من البطارية طبقاً للقانون أو النظام المحلي .



تنبيه :  
أثناء تركيب منتجات ليزر (مثل CD-ROMs أو وحدة تشغيل DVD أو أجهزة Fiber Optic أو وحدات الإرسال) يجب مراعاة الآتي:

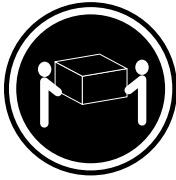
لا تنزع الأغطية. قد ينتج عن نزع أغطية منتج الليزر انفجار أشعة الليزر شديدة الخطورة.  
لا يوجد أجزاء يمكن تغييرها داخل الجهاز. قد ينتج عن استخدام تحكيمات أو تعديلات أو عمل أي تصرفات أخرى تخالف ما هو محدد هنا إلى انفجار أشعة شديدة الخطورة.



خطر

تحتوي بعض منتجات الليزر على الفئة دايود ليزر مدمج من الفئة Class 3A أو Class 3B. يجب مراعاة الآتي .

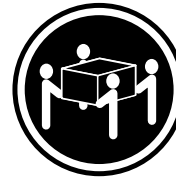
أشعة الليزر عند الفتح. لا تحقق إلى الإشعاع و لا تنظر إليه مباشرة بواسطة أي أجهزة مرئية وتجنب التعرض المباشر للإشعاع .



≥18 kg (37 lbs)



≥32 kg (70.5 lbs)

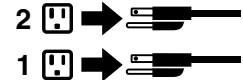


≥55 kg (121.2 lbs)

تنبيه :  
يجب استخدام ممارسات أمانة عند الرفع



تنبيه :  
لا يقر زر التحكم في التشغيل الموجود على الجهاز والمفتاح الكهربائي الموجود على لوحة التحكم بإيقاف التيار الكهربائي المار بالجهاز. قد يكون للجهاز أكثر من سلك كهربائي واحد. لإيقاف التيار الكهربائي المار بالجهاز، تأكد من فصل جميع أسلاك الكهرباء من مصدر الكهرباء .



PERIGO



A corrente elétrica proveniente de cabos de alimentação, de telefone e de comunicações é perigosa.

Para evitar risco de choque elétrico:

- Não conecte nem desconecte nenhum cabo ou execute instalação, manutenção ou reconfiguração deste produto durante uma tempestade com raios.
- Conecte todos os cabos de alimentação a tomadas elétricas corretamente instaladas e aterradas.
- Todo equipamento que for conectado a este produto deve ser conectado a tomadas corretamente instaladas.
- Quando possível, utilize apenas uma das mãos para conectar ou desconectar cabos de sinal.
- Nunca ligue nenhum equipamento quando houver evidência de fogo, água ou danos estruturais.
- Antes de abrir tampas de dispositivos, desconecte cabos de alimentação, sistemas de telecomunicação, redes e modems conectados, a menos que especificado de maneira diferente nos procedimentos de instalação e configuração.
- Conecte e desconecte os cabos conforme descrito na tabela apresentada a seguir ao instalar, mover ou abrir tampas deste produto ou de dispositivos conectados.

<b>Para Conectar:</b>	<b>Para Desconectar:</b>
<ol style="list-style-type: none"><li>1. DESLIGUE Tudo.</li><li>2. Primeiramente, conecte todos os cabos aos dispositivos.</li><li>3. Conecte os cabos de sinal aos conectores.</li><li>4. Conecte os cabos de alimentação às tomadas.</li><li>5. LIGUE os dispositivos.</li></ol>	<ol style="list-style-type: none"><li>1. DESLIGUE Tudo.</li><li>2. Primeiramente, remova os cabos de alimentação das tomadas.</li><li>3. Remova os cabos de sinal dos conectores.</li><li>4. Remova todos os cabos dos dispositivos.</li></ol>



#### **CUIDADO:**

**Ao substituir a bateria de lítio, utilize apenas uma bateria com Número de Peça 33F8354 ou um tipo de bateria equivalente recomendado pelo Se o seu sistema possui um módulo com uma bateria de lítio, substitua-o apenas por um módulo do mesmo tipo e do mesmo fabricante. A bateria contém lítio e pode explodir se não for utilizada, manuseada ou descartada de maneira correta.**

Não:

- Jogue ou coloque na água
- Aqueça a mais de 100°C (212°F)
- Conserte nem desmonte

Descarte a bateria conforme requerido pelas leis ou regulamentos locais.



#### **PRECAUCIÓN:**

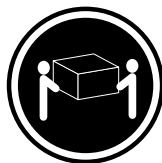
Quando produtos a laser (como unidades de CD-ROMs, unidades de DVD-ROM, dispositivos de fibra ótica ou transmissores) estiverem instalados, observe o seguinte:

- Não remova as tampas. A remoção das tampas de um produto a laser pode resultar em exposição prejudicial à radiação de laser. Não existem peças que podem ser consertadas no interior do dispositivo.
- A utilização de controles ou ajustes ou a execução de procedimentos diferentes dos especificados aqui pode resultar em exposição prejudicial à radiação.

## PERIGO

Alguns produtos a laser contêm diodo de laser integrado da Classe 3A ou da Classe 3B. Observe o seguinte:

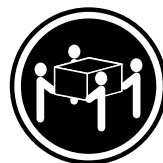
Radiação a laser quando aberto. Não olhe diretamente para o feixe a olho nu ou com instrumentos ópticos e evite exposição direta ao feixe.



≥18 kg (37 lbs)



≥32 kg (70.5 lbs)



≥55 kg (121.2 lbs)

## CUIDADO:

Utilize procedimentos de segurança para levantar equipamentos.



## CUIDADO:

O botão de controle de alimentação do dispositivo e o botão para ligar/desligar da fonte de alimentação não desligam a corrente elétrica fornecida ao dispositivo. O dispositivo também pode ter mais de um cabo de alimentação. Para remover toda a corrente elétrica do dispositivo, assegure que todos os cabos de alimentação estejam desconectados da fonte de alimentação.



危险

电源、电话和通信电缆中的电流是危险的。

为避免电击危险：

- 请勿在雷电期间连接或断开任何电缆的连接，或者对本产品进行安装、维护或重新配置。
- 将所有电源线连接到正确连线 and 妥善接地的电源插座。
- 将所有要连接到该产品的设备连接到正确连线的插座。
- 如果可能，请仅使用一只手来连接或断开信号电缆的连接。
- 切勿在有火、水、结构损坏迹象的情况下开启任何设备。
- 在打开设备外盖之前请断开已连接的电源线、远程通信系统、网络和调制解调器，除非在安装和配置过程中另有说明。
- 当安装、移动或打开该产品或连接设备的外盖时，请按照下表所述来连接或断开电缆的连接。

要连接	要断开连接
<ol style="list-style-type: none"><li>1. 切断所有电源。</li><li>2. 首先将所有电缆连接到设备。</li><li>3. 将信号电缆连接到接口。</li><li>4. 将电源线连接到插座。</li><li>5. 开启设备。</li></ol>	<ol style="list-style-type: none"><li>1. 切断所有电源。</li><li>2. 首先从插座上拔出电源线。</li><li>3. 从接口上拔出信号电缆。</li><li>4. 从设备上拔出所有电缆。</li></ol>



警告：  
更换锂电池时，请仅使用部件号为 45C1566 的电池或制造商推荐的同类电池。如果您的系统有包含锂电池的模块，请仅使用同一制造商生产的相同模块类型来替换该模块。该电池中含有锂，如果使用、操作或处理不当，可能会发生爆炸。

切勿：

- 投入或浸入水中
- 加热到 100°C (212°F) 以上
- 维修或拆卸

请按照当地法令或条例的要求处理电池。



警告：  
安装激光产品（例如 CD-ROM、DVD-ROM 驱动器、光纤设备或发射设备）时，请注意以下声明：

- 请勿卸下外盖。卸下激光产品的外盖可能导致遭受激光辐射的危险。该设备内没有可维修的部件。
- 如果不按照此处指定的过程进行控制、调整或操作，则有可能导致遭受辐射的危险。



危險

某些激光产品包含嵌入式 3A 类或 3B 类激光二极管。请注意以下声明：

打开后有激光辐射。请勿注视光束，请勿直接用光学仪器查看，并请避免直接暴露在光束中。



≥18 千克 (37 磅)



≥32 千克 (70.5 磅)

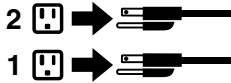


≥55 千克 (121.2 磅)

警告：  
抬起时请采取安全措施。



警告：  
设备上的电源控制按钮和电源上的电源开关不会切断供给该设备的电流。该设备还可能有多条电源线。要切断该设备的所有电流，请确保所有电源线都与电源断开连接。



危險

電源、電話及通訊纜線上的電流都具有危險性。

若要避免觸電危險：

- 請勿在雷雨期間，連接或拔除纜線、執行安裝、維護或重新配置本產品。
- 將所有電源線連接到正確配線及接地的電源插座。
- 任何與本產品連接的設備都必須連接到配線妥當的電源插座。
- 請盡可能用單手連接或拔除信號線。
- 發生火災、水災或結構損害時，絕對不要開啟任何設備。
- 除非在安裝及配置程序中另有指示，否則在開啟裝置機蓋之前，請拔掉連接的電源線、電信系統、網路及數據機。
- 安裝、移動或開啟本產品或附屬裝置的機蓋時，請遵循下列說明連接及拔掉纜線。

連線	切斷連線
<ol style="list-style-type: none"> <li>1. 關閉所有開關。</li> <li>2. 首先，連接所有接線到裝置。</li> <li>3. 連接信號線到接頭。</li> <li>4. 連接電源線到插座。</li> <li>5. 開啟裝置。</li> </ol>	<ol style="list-style-type: none"> <li>1. 關閉所有開關。</li> <li>2. 首先，拔掉插座上的電源線。</li> <li>3. 拔掉接頭上的信號線。</li> <li>4. 拔掉裝置上所有接線。</li> </ol>



警告：

更換鋰電池時，請僅使用產品編號 **45C1566** 或製造商所建議的同類型電池。  
如果您的系統中含有鋰電池模組，請僅使用同一家製造商所生產的相同模組進行更換。  
如果未以正確方式使用、處理或棄置含鋰的電池，會有爆炸的危險。  
請勿：

- 沾溼或浸入水中
  - 置於 **100°C (212°F)** 以上的高溫環境
  - 修理或拆開
- 請按照各地區有關廢棄電池的法令和規定處理舊電池。



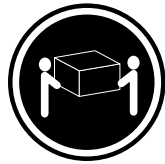
警告：

- 請勿移除機蓋。移除雷射產品的機蓋，可能會導致暴露在危險的雷射輻射中。裝置內部並無可自行維修的零件。
- 利用或執行非本文中指定的控制、調整及執行情序，可能會導致危險的輻射外洩。



危險

部分雷射產品含有內嵌式 **Class 3A** 或 **Class 3B** 雷射二極體。請注意下列事項：  
在開啟光碟機時，會發生雷射輻射。請勿直視光束或用光學儀器直接檢視，並避免直接暴露在光束中。



≥ 18 公斤 (37 磅)    ≥ 32 公斤 (70.5 磅)    ≥ 55 公斤 (121.2 磅)

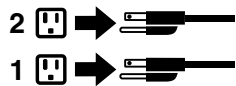
警告：

搬運時請注意安全。



警告：

裝置上的電源控制按鈕及電源供應器上的電源開關，無法關閉裝置所產生的電流。  
該裝置可能有多條電源線。若要除去裝置流出的所有電流，請確認已切斷所有電源線的電源。



## DANGER

Le courant électrique provenant de l'alimentation, du téléphone et des câbles de transmission peut présenter un danger.

Pour éviter tout risque de choc électrique :

- Ne manipulez aucun câble et n'effectuez aucune opération d'installation, d'entretien ou de reconfiguration de ce produit au cours d'un orage.
- Branchez tous les cordons d'alimentation sur un socle de prise de courant correctement câblé et mis à la terre.
- Branchez sur des socles de prise de courant correctement câblés tout équipement connecté à ce produit.
- Lorsque cela est possible, n'utilisez qu'une seule main pour connecter ou déconnecter les câbles d'interface.
- Ne mettez jamais un équipement sous tension en cas d'incendie ou d'inondation, ou en présence de dommages matériels.
- Avant de retirer les carters de l'unité, mettez celle-ci hors tension et déconnectez ses cordons d'alimentation, ainsi que les câbles qui la relient aux réseaux, aux systèmes de télécommunication et aux modems (sauf instruction contraire mentionnée dans les procédures d'installation et de configuration).
- Lorsque vous installez, que vous déplacez, ou que vous manipulez le présent produit ou des périphériques qui lui sont raccordés, reportez-vous aux instructions ci-dessous pour connecter et déconnecter les différents cordons.

Connexion	Déconnexion
<ol style="list-style-type: none"><li>1. Mettez les unités HORS TENSION.</li><li>2. Commencez par brancher tous les cordons sur les unités.</li><li>3. Branchez les câbles d'interface sur des connecteurs.</li><li>4. Branchez les cordons d'alimentation sur des prises.</li><li>5. Mettez les unités SOUS TENSION.</li></ol>	<ol style="list-style-type: none"><li>1. Mettez les unités HORS TENSION.</li><li>2. Débranchez les cordons d'alimentation des prises.</li><li>3. Débranchez les câbles d'interface des connecteurs.</li><li>4. Débranchez tous les câbles des unités.</li></ol>



## ATTENTION:

**Remplacer la pile au lithium usagée par une pile de référence identique exclusivement, (référence 33F8354), ou suivre les instructions du fabricant qui en définit les équivalences. Si votre système est doté d'un module contenant une pile au lithium, vous devez le remplacer uniquement par un module identique, produit par le même fabricant. La pile contient du lithium et peut exploser en cas de mauvaise utilisation, de mauvaise manipulation ou de mise au rebut inappropriée.**

Ne pas :

- la jeter à l'eau,
- l'exposer à des températures supérieures à 100°C,
- chercher à la réparer ou à la démonter.

**Ne pas mettre la pile à la poubelle. Pour la mise au rebut, se reporter à la réglementation en vigueur.**



#### ATTENTION:

Si des produits à laser (tels que des unités de CD-ROM, de DVD-ROM, des unités à fibres optiques, ou des émetteurs) sont installés, prenez connaissance des informations suivantes :

- Ne retirez pas le carter. En ouvrant l'unité de CD-ROM ou de DVD-ROM, vous vous exposez au rayonnement dangereux du laser. Aucune pièce de l'unité n'est réparable.
- Pour éviter tout risque d'exposition au rayon laser, respectez les consignes de réglage et d'utilisation des commandes, ainsi que les procédures décrites dans le présent manuel.



#### DANGER

Certains produits à laser contiennent une diode à laser intégrée de classe 3A ou 3B. Prenez connaissance des informations suivantes:

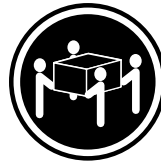
Rayonnement laser lorsque le carter est ouvert. Evitez toute exposition directe au rayon laser. Evitez de regarder fixement le faisceau ou de l'observer à l'aide d'instruments optiques.



≥18 kg (37 lbs)



≥32 kg (70.5 lbs)



≥55 kg (121.2 lbs)

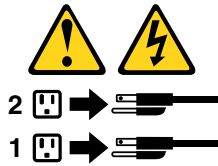
#### ATTENTION:

Soulevez la machine avec précaution.



#### ATTENTION:

L'interrupteur de contrôle d'alimentation de l'unité et l'interrupteur dubloc d'alimentation ne coupent pas le courant électrique alimentant l'unité. En outre, le système peut être équipé de plusieurs cordons d'alimentation. Pour mettre l'unité hors tension, vous devez déconnecter tous les cordons de la source d'alimentation.



## VORSICHT

An Netz-, Telefon- und Datenleitungen können gefährliche Spannungen anliegen.

### Aus Sicherheitsgründen:

- Bei Gewitter an diesem Gerät keine Kabel anschließen oder lösen. Ferner keine Installations-, Wartungs- oder Rekonfigurationsarbeiten durchführen.
- Gerät nur an eine Schutzkontaktsteckdose mit ordnungsgemäß geerdetem Schutzkontakt anschließen.
- Alle angeschlossenen Geräte ebenfalls an Schutzkontaktsteckdosen mit ordnungsgemäß geerdetem Schutzkontakt anschließen.
- Die Signalkabel nach Möglichkeit einhändig anschließen oder lösen, um einen Stromschlag durch Berühren von Oberflächen mit unterschiedlichem elektrischem Potenzial zu vermeiden.
- Geräte niemals einschalten, wenn Hinweise auf Feuer, Wasser oder Gebäudeschäden vorliegen.
- Die Verbindung zu den angeschlossenen Netzkabeln, Telekommunikationssystemen, Netzwerken und Modems ist vor dem Öffnen des Gehäuses zu unterbrechen, sofern in den Installations- und Konfigurationsprozeduren keine anders lautenden Anweisungen enthalten sind.
- Zum Installieren, Transportieren und Öffnen der Abdeckungen des Computers oder der angeschlossenen Einheiten die Kabel gemäß der folgenden Tabelle anschließen und abziehen.

Zum Anschließen der Kabel gehen Sie wie folgt vor	Zum Abziehen der Kabel gehen Sie wie folgt vor
<ol style="list-style-type: none"> <li>1. Schalten Sie alle Einheiten AUS.</li> <li>2. Schließen Sie erst alle Kabel an die Einheiten an.</li> <li>3. Schließen Sie die Signalkabel an die Buchsen an.</li> <li>4. Schließen Sie die Netzkabel an die Steckdose an.</li> <li>5. Schalten Sie die Einheit EIN.</li> </ol>	<ol style="list-style-type: none"> <li>1. Schalten Sie alle Einheiten AUS.</li> <li>2. Ziehen Sie zuerst alle Netzkabel aus den Netzsteckdosen.</li> <li>3. Ziehen Sie die Signalkabel aus den Buchsen.</li> <li>4. Ziehen Sie alle Kabel von den Einheiten ab.</li> </ol>



### CAUTION:

Eine verbrauchte Lithiumbatterie nur durch eine Batterie mit der Teilenummer 33F8354 oder eine gleichwertige, vom Hersteller empfohlene Batterie ersetzen. Enthält das System ein Modul mit einer Lithiumbatterie, dieses nur durch ein Modul desselben Typs und von demselben Hersteller ersetzen. Die Batterie enthält Lithium und kann bei unsachgemäßer Verwendung, Handhabung oder Entsorgung explodieren.

Die Batterie nicht:

- mit Wasser in Berührung bringen.



- über 100 C erhitzen.
- reparieren oder zerlegen.

Die örtlichen Bestimmungen für die Entsorgung von Sondermüll beachten.



**ACHTUNG:**

Bei der Installation von Lasergeräten (wie CD-ROM-Laufwerken, DVD- aufwerken, Einheiten mit Lichtwellenleitertechnik oder Sendern) Folgendes beachten:

- Die Abdeckungen nicht entfernen. Durch Entfernen der Abdeckungen des Lasergeräts können gefährliche Laserstrahlungen freigesetzt werden. Das Gerät enthält keine zu wartenden Teile.
- Werden Steuerelemente, Einstellungen oder Durchführungen von Prozeduren anders als hier angegeben verwendet, kann gefährliche Laserstrahlung auftreten.



**VORSICHT**

Einige Lasergeräte enthalten eine Laserdiode der Klasse 3A oder 3B. Beachten Sie Folgendes:

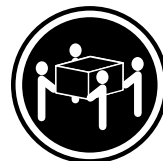
Laserstrahlung bei geöffneter Verkleidung. Nicht in den Strahl blicken. Keine Lupen oder Spiegel verwenden. Strahlungsbereich meiden.



≥18 kg (37 lbs)



≥32 kg (70.5 lbs)



≥55 kg (121.2 lbs)

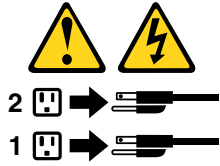
**ACHTUNG:**

Arbeitsschutzrichtlinien beim Anheben der Maschine beachten.



**ACHTUNG:**

Mit dem Netzschalter an der Einheit und am Netzteil wird die Stromversorgung für die Einheit nicht unterbrochen. Die Einheit kann auch mit mehreren Netzkabeln ausgestattet sein. Um die Stromversorgung für die Einheit vollständig zu unterbrechen, müssen alle zum Gerät führenden Netzkabel vom Netz getrennt werden.



#### סכנה

זרם חשמלי המועבר בכבלי חשמל, טלפון ותקשורת הוא מסוכן.

כדי להימנע מסכנת התחשמלות:

- אל תחברו או תנתקו כבלים, ואל תבצעו פעולת התקנה, תחזוקה או שינוי תצורה במוצר זה במהלך סופת ברקים.
- חברו את כל כבלי החשמל לשקע חשמל מחווט ומוארק כהלכה.
- חברו כל ציוד שיחובר למוצר זה לשקעי חשמל מחוטים כהלכה.
- במידת האפשר, השתמשו ביד אחת בלבד לחיבור או לניתוק של כבלי אותות.
- לעולם אל תפעילו ציוד כלשהו כאשר יש עדות לנזק מבני או לנזק כתוצאה מאש או ממים.
- נתקו את כבלי החשמל, מערכות התקשורת, התקני הרשת והמודמים המחוברים לפני פתיחת כיסויי ההתקן, אלא אם הליכי ההתקנה וקביעת התצורה מורים אחרת.
- בעת התקנה, העברה או פתיחת כיסויים במוצר זה או בהתקנים המחוברים, חברו ונתקו את הכבלים כמתואר בטבלה שלהלן.

כדי לחבר	כדי לנתק
1. כבו הכל.	1. כבו הכל.
2. ראשית, חברו את כל הכבלים להתקנים.	2. ראשית, נתקו את כבלי החשמל מהשקעים.
3. חברו את כבלי האותות למחברים.	3. נתקו את כבלי האותות מהמחברים.
4. חברו את כבלי החשמל לשקעים.	4. הסירו את כל הכבלים מההתקנים.
5. הפעילו את ההתקן.	



זהירות:

בעת החלפת סוללת הליתיום, השתמשו רק בסוללה בעלת מק"ט 45C1566 או בסוג תואם שהומלץ על ידי היצרן. אם המערכת כוללת מודול המכיל סוללת ליתיום, החליפו אותו רק במודול מאותו סוג ומתוצרת אותו יצרן. הסוללה מכילה ליתיום, ועלולה להתפוצץ אם לא משתמשים ומטפלים בה או משליכים אותה כראות.

לעולם:

- אל תטבלו במים
  - אל תחממו לטמפרטורה הגבוהה מ-100°C (212°F)
  - אל תתקנו או תפרקו
- השליכו את הסוללה כנדרש לפי התקנות והחוקים המקומיים.



זהירות:

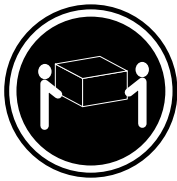
בעת התקנת מוצרי לייזר (כגון כונני תקליטורים ו-DVD, התקני סיב אופטי או משדרים), שימו לב לאזהרות הבאות:

- אל תסירו את הכיסויים. הסרת הכיסויים של מוצר הלייזר עלולה לגרום לחשיפה לקרינת לייזר מסוכנת. אין חלקים ברי טיפול בתוך ההתקן.
- שינויים, שימוש בבקרות או ביצוע הליכים אחרים מאלה המתוארים כאן, עלולים לגרום לחשיפה לקרינה מסוכנת.



סכנה

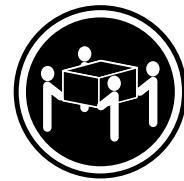
מוצרי לייזר מסוימים מכילים דיודת לייזר מסוג Class 3A או Class 3B. שימו לב לאזהרה הבאה: כאשר הוא פתוח, המוצר פולט קרינת לייזר. אל תביטו ישירות בקרן, אל תביטו ישירות בעזרת ציוד אופטי, והימנעו מחשיפה לקרן.



18 ≤ ק"ג (37 ליב')



32 ≤ ק"ג (70.5 ליב')



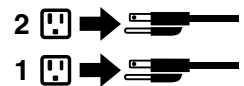
55 ≤ ק"ג (121.2 ליב')

זהירות:  
השתמשו בהליכים  
הנאותים בעת  
הרמת הציוד.



זהירות:

לחצן ההפעלה של ההתקן ומתג ההפעלה של ספק החשמל אינם מפסיקים את זרם החשמל המסופק להתקן. בנוסף, ההתקן עשוי לכלול יותר מכבל חשמל אחד. כדי לסלק את כל הזרם החשמלי מההתקן, ודאו שכל כבלי החשמל מנותקים ממקור החשמל.



## PERICOLO

La corrente elettrica proveniente dai cavi di alimentazione, del telefono e di comunicazione può essere pericolosa.

Per evitare il rischio di scosse elettriche:

- Non collegare o scollegare qualsiasi cavo oppure effettuare l'installazione, la manutenzione o la riconfigurazione del prodotto durante un temporale.
- Collegare tutti i fili elettrici a una presa di alimentazione correttamente cablata e dotata di messa a terra.
- Collegare alle prese elettriche appropriate tutte le apparecchiature che verranno utilizzate per questo prodotto.
- Se possibile, utilizzare solo una mano per collegare o scollegare i cavi di segnale.
- Non accendere assolutamente apparecchiature in presenza di incendi, perdite d'acqua o danno strutturale.
- Scollegare i cavi di alimentazione, i sistemi di telecomunicazione, le reti e il modem prima di aprire i coperchi del dispositivo, salvo istruzioni contrarie relative alle procedure di installazione e configurazione.
- Collegare e scollegare i cavi come descritto nella seguente tabella quando vengono effettuate operazioni di installazione, spostamento o apertura dei coperchi di questo prodotto o delle unità collegate.

Per collegarsi	Per scollegarsi
<ol style="list-style-type: none"><li>1. SPEGNERE le apparecchiature.</li><li>2. Innanzitutto, collegare tutti i cavi alle unità.</li><li>3. Collegare i cavi di segnale ai connettori.</li><li>4. Collegare i cavi di alimentazione alla presa.</li><li>5. Accendere l'unità.</li></ol>	<ol style="list-style-type: none"><li>1. SPEGNERE le apparecchiature.</li><li>2. Innanzitutto, rimuovere i cavi di alimentazione dalla presa.</li><li>3. Rimuovere i cavi di segnale dai connettori.</li><li>4. Rimuovere tutti i cavi dalle unità.</li></ol>



#### ATTENZIONE:

Quando si sostituisce la batteria al litio, utilizzare solo il Numero parte 33F8354 o un tipo di batteria equivalente consigliato dal produttore. Se sul sistema è presente un modulo che contiene una batteria al litio, sostituirlo solo con un tipo di modulo dello stesso tipo della stessa casa di produzione. La batteria contiene litio e può esplodere se usata, maneggiata o smaltita in modo non corretto.

Non:

- Gettare o immergere la batteria nell'acqua
- Riscaldarla ad una temperatura superiore ai 100 gradi C (212 gradi F)
- Smontarla, ricaricarla o tentare di ripararla

Le batterie usate vanno smaltite in accordo alla normativa in vigore (DPR 915/82 e successive disposizioni e disposizioni locali).



#### ATTENZIONE:

Quando vengono installati prodotti laser (quali CD-ROM, unità DVD-ROM, unità a fibre ottiche o trasmettenti), tener presente quanto segue:

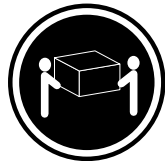
- Non rimuovere gli sportelli. L'apertura di un'unità laser può determinare l'esposizione a radiazioni laser pericolose. All'interno dell'unità non vi sono parti su cui effettuare l'assistenza tecnica.
- L'utilizzo di controlli, regolazioni o l'esecuzione di procedure non descritti nel presente manuale possono provocare l'esposizione a radiazioni pericolose.



**PERICOLO**

Alcune unità laser contengono un diodo laser di Classe 3A o Classe 3B. Tener presente quanto segue:

Aperto l'unità vengono emesse radiazioni laser. Non fissare il fascio, non guardarlo direttamente con strumenti ottici ed evitare l'esposizione al fascio.



≥18 kg (37 lbs)



≥32 kg (70.5 lbs)



≥55 kg (121.2 lbs)

**ATTENZIONE:**

Prestare attenzione nel sollevare l'apparecchiatura.



**ATTENZIONE:**

Il pulsante di controllo dell'alimentazione presente sull'unità e l'interruttore dell'alimentatore non disattivano l'alimentazione corrente fornita all'unità. E' possibile che l'unità disponga di più cavi di alimentazione. Per disattivare l'alimentazione dall'unità, accertarsi che tutti i cavi di alimentazione siano scollegati dalla fonte di alimentazione.



## 위험

전원, 전화, 통신 케이블의 전류는 위험합니다.

감전의 위험을 피하려면 다음과 같이 하십시오.

- 번개가 치는 날에는 케이블을 연결 또는 분리하거나 본 제품을 설치, 보수, 재구성하지 마십시오.
- 모든 전원 코드는 올바르게 접지된 전기 콘센트에 연결하십시오.
- 본 제품에 연결될 장치는 올바르게 배선된 콘센트에 연결하십시오.
- 신호 케이블을 연결 또는 분리할 때 가능하면 한 손만을 사용하십시오.
- 불 또는 물로 인한 손상이나 구조적인 손상이 있을 경우 장치의 전원을 절대 켜지 마십시오.
- 설치 및 구성 과정에 별도의 지시 사항이 없는 경우, 장치의 덮개를 열기 전에 연결된 전원 코드, 원격 통신 시스템, 네트워크, 모뎀을 분리하십시오.
- 본 제품이나 연결된 장치를 설치, 이동하거나 덮개를 열 때 다음 표와 같은 순서로 케이블을 연결하거나 분리하십시오.

연결할 때:	분리할 때:
<ol style="list-style-type: none"><li>1. 모든 장치의 전원을 끄십시오.</li><li>2. 먼저 모든 케이블을 장치에 연결하십시오.</li><li>3. 커넥터에 신호 케이블을 연결하십시오.</li><li>4. 콘센트에 전원 코드를 연결하십시오.</li><li>5. 장치의 전원을 켜십시오.</li></ol>	<ol style="list-style-type: none"><li>1. 모든 장치의 전원을 끄십시오.</li><li>2. 먼저 콘센트에서 전원 코드를 분리하십시오.</li><li>3. 커넥터에서 신호 케이블을 분리하십시오.</li><li>4. 장치에서 모든 케이블을 분리하십시오.</li></ol>



### 주의:

배터리를 교환할 때는 Part Number 45C1566 또는 제조업체에서 지정한 동일한 종류의 제품을 사용하십시오. 사용자의 시스템이 리튬 배터리를 포함하는 모듈일 경우, 동일한 제조업체에서 동일한 모듈 유형으로 생산된 제품으로 교체하십시오. 배터리에는 리튬이 함유되어 있어 잘못 사용, 취급 또는 폐기할 경우 폭발의 위험이 있습니다.

사고를 방지하려면 다음 사항을 준수하십시오.

- 배터리를 물 속에 던지거나 침수시키지 마십시오.
- 100°C (212°F) 이상 가열하지 마십시오.
- 수리하거나 분해하지 마십시오.

배터리를 폐기할 때는 법령 또는 회사의 안전 수칙에 따라 폐기하십시오.



### 주의:

CD-ROM, DVD-ROM 장치, 광섬유 장치 또는 송신 장치와 같은 레이저 제품을 설치할 때, 다음과 같은 취급 주의사항을 참고하십시오.

- 덮개를 열지 마십시오. 덮개를 열면 레이저 복사 에너지에 노출될 위험이 있습니다. 장치 내부에는 사용자가 조정하거나 수리할 수 있는 부품이 없습니다.
- 규정된 것 이외의 절차 수행, 제어 조정 등의 행위로 인해 해로운 레이저 복사에 노출될 수 있습니다.



## 위험

일부 장비에는 임베디드 클래스 3A 또는 클래스 3B 레이저 다이오드가 있습니다. 다음 주의사항에 유의하십시오.

드라이브가 열리면 레이저 복사 에너지가 방출됩니다. 광선이 눈에 직접 쏘이지 않도록 하십시오. 나안 또는 광학 기구를 착용한 상태에서 광선을 직접 바라보지 않도록 하십시오.



≥ 18 kg (37 lbs)



≥ 32 kg (70.5 lbs)



≥ 55 kg (121.2 lbs)

주의:  
제품을 들어 올릴 때  
안전 규제를 따르십시오.



주의:  
장치의 전원 제어 버튼 및 전원 공급 장치의 전원 스위치를 사용하여 장치에 공급되는 전기를 차단하지 마십시오.  
장치는 둘 이상의 코드를 가지고 있을 수 있습니다. 장치에서 모든 전원을 차단하려면 콘센트에서 코드가 모두  
분리되어 있는지 확인하십시오.



## PELIGRO

La corriente eléctrica procedente de cables de alimentación, teléfonos y cables de comunicación puede ser peligrosa.

**Para evitar el riesgo de descarga eléctrica:**

- No conecte ni desconecte los cables ni realice ninguna tarea de instalación, mantenimiento o reconfiguración de este producto durante una tormenta eléctrica.
- Conecte todos los cables de alimentación a tomas de corriente debidamente cableadas y conectadas a tierra.
- Cualquier equipo que se conecte a este producto también debe conectarse a tomas de corriente debidamente cableadas.
- Siempre que sea posible, utilice una sola mano para conectar o desconectar los cables de señal.
- No encienda nunca un equipo cuando hay señales de fuego, agua o daños estructurales.

- **Desconecte los cables de alimentación, los sistemas de telecomunicaciones, las redes y los módems conectados antes de abrir las cubiertas de los dispositivos, a menos que se indique lo contrario en los procedimientos de instalación y configuración.**
- **Conecte y desconecte los cables, como se describe en la tabla siguiente, cuando instale, mueva o abra las cubiertas de este producto o de los dispositivos conectados.**

Para conectar	Para desconectar
<ol style="list-style-type: none"> <li>1. APÁGUELO todo.</li> <li>2. En primer lugar, conecte todos los cables a los dispositivos.</li> <li>3. Conecte los cables de señal a los conectores.</li> <li>4. Enchufe los cables de alimentación a las tomas de corriente.</li> <li>5. Encienda el dispositivo.</li> </ol>	<ol style="list-style-type: none"> <li>1. APÁGUELO todo.</li> <li>2. En primer lugar, desenchufe los cables de alimentación de las tomas de corriente.</li> <li>3. Desconecte los cables de señal de los conectores.</li> <li>4. Desconecte todos los cables de los dispositivos.</li> </ol>



#### **PRECAUCIÓN:**

Quando sustituya una batería de litio, utilice solamente una batería número de pieza 33F8354 u otra de tipo equivalente recomendada por el fabricante. Si su sistema dispone de un módulo que contiene una batería de litio, reemplácelo sólo con el mismo tipo de módulo, del mismo fabricante. La batería contiene litio y puede explotar si no se utiliza, manipula o desecha correctamente.

*No debe:*

- Arrojarla al agua o sumergirla en ella
- Exponerla a temperaturas superiores a 100°C (212°F)
- Repararla o desmontarla

Deshágase de la batería según especifiquen las leyes o normas locales.



#### **PRECAUCIÓN:**

Quando haya productos láser (como unidades de CD-ROM, unidades de DVD, dispositivos de fibra óptica o transmisores) instalados, tenga en cuenta lo siguiente:

- No quite las cubiertas. Si quita las cubiertas del producto láser, podría quedar expuesto a radiación láser peligrosa. Dentro del dispositivo no existe ninguna pieza que requiera servicio técnico.
- Si usa controles o ajustes o realiza procedimientos que no sean los especificados aquí, podría exponerse a radiaciones peligrosas.



#### **PELIGRO**



Algunos productos láser tienen incorporado un diodo láser de clase 3A o clase 3B. Tenga en cuenta lo siguiente:

Cuando se abre, queda expuesto a radiación láser. No mire directamente al rayo láser, ni siquiera con instrumentos ópticos, y evite exponerse directamente al rayo láser.



≥18 kg (37 lbs)



≥32 kg (70.5 lbs)



≥55 kg (121.2 lbs)

**PRECAUCIÓN:**

Adopte procedimientos seguros al levantar el equipo.



**PRECAUCIÓN:**

El botón de control de alimentación del dispositivo y el interruptor de alimentación de la fuente de alimentación no desconectan la corriente eléctrica suministrada al dispositivo. Además, el dispositivo podría tener más de un cable de alimentación. Para suprimir toda la corriente eléctrica del dispositivo, asegúrese de que todos los cables de alimentación estén desconectados de la toma de corriente.





---

## Chapter 3. General information

This chapter provides general information that applies to all machine types supported by this publication.

---

### The ThinkVantage Productivity Center program

Use the ThinkVantage® Productivity Center program for general information about the use, operation, and maintenance of the computer. The ThinkVantage Productivity Center program also contains information to help solve problems and get repair service or other technical assistance. The ThinkVantage Productivity Center program is preinstalled on most ThinkCentre products.

---

### Additional information resources

If you have Internet access, the most up-to-date information for your computer is available from the World Wide Web.

You can find the following information:

- CRU removal and installation instructions
- Publications
- Troubleshooting information
- Parts information
- Downloads and drivers
- Links to other useful sources of information

To access this information, go to <http://www.lenovo.com/support/>.

---

### Specifications

This section lists the physical specifications for your computer.

#### **For machine types: 7057, 7062, 7092, 9342, 9344, 9354, 9426, 9486, 9624, 9707, 9787, 9804, 9945**

This section lists the physical specifications.

<b>Dimensions</b>
Width: 331 mm (13 in.)
Height: 104 mm (4.1in.)
Depth: 412 mm (16.2 in.)
<b>Weight</b>
Maximum configuration as shipped: 8.8 kg (19.4 lbs)

#### **For machine types: 7061, 7090, 9353, 9421, 9485, 9623, 9625, 9705, 9786, 9795, 9935, 9946, 9953**

This section lists the physical specifications.

**Dimensions**

Width: 175mm (6.9 in.)

Height: 402 mm (15.8in.)

Depth: 440 mm (17.3 in.)

**Weight**

Maximum configuration as shipped: 11 kg (24 lbs)

**For all machine types****Environment**

- Air temperature:
  - Operating: 10° to 35°C (50° to 95°F)
  - Non-operating: -40° to 60°C (-40° to 140°F)
- Humidity:
  - Operating: 10% to 80% (10% per hour, non condensing)
  - Non-operating: 10% to 90% (10% per hour)
- Maximum altitude:
  - Operating: -50 to 10,000 ft (-15.2 to 3048 m)
  - Non-operating: -50 to 35,000 ft (-15.2 to 10.668)

**Electrical input**

- Input voltage:
  - Low range:
    - Minimum: 100 V ac
    - Maximum: 127 V ac
    - Input frequency range: 50/60 Hz
    - Voltage switch setting: 115 V ac
  - High range:
    - Minimum: 200 V ac
    - Maximum: 240 V ac
    - Input frequency range: 50/60 Hz
    - Voltage switch setting: 230 V ac

---

## Chapter 4. General Checkout

### Attention

The drives in the computer you are servicing might have been rearranged or the drive startup sequence changed. Be extremely careful during write operations such as copying, saving, or formatting. Data or programs can be overwritten if you select an incorrect drive.

General error messages appear if a problem or conflict is found by an application program, the operating system, or both. For an explanation of these messages, refer to the information supplied with that software package.

Before replacing any FRUs, ensure that the latest level of BIOS is installed on the system. A down-level BIOS might cause false errors and unnecessary replacement of the system board. For more information on how to determine and obtain the latest level BIOS, see "BIOS levels" on page 467.

Use the following procedure to help determine the cause of the problem:

1. Power-off the computer and all external devices.
2. Check all cables and power cords.
3. Set all display controls to the middle position.
4. Power-on all external devices.
5. Power-on the computer.
  - Look for displayed error codes
  - Listen for beep codes
  - Look for readable instructions or a main menu on the display.If you **did not** receive the correct response, proceed to step 6 on page 31.  
If you **do** receive the correct response, proceed to step 7 on page 31.
6. Look at the following conditions and follow the instructions:
  - If you hear beep codes during POST, go to "Beep symptoms" on page 61.
  - If the computer displays a POST error, go to "POST error codes" on page 62.
  - If the computer hangs and no error is displayed, continue at step 7 on page 31.
7. Run the Diagnostic programs. See Chapter 5 "Diagnostics" on page 33.
  - If you receive an error, replace the part that the diagnostic program calls out or go to "Diagnostic error codes" on page 44.
  - If the test stops and you cannot continue, replace the last device tested.

---

### Problem determination tips

Due to the variety of hardware and software combinations that can be encountered, use the following information to assist you in problem determination. If possible, have this information available when requesting assistance from Service Support and Engineering functions.

- Machine type and model
- Processor or hard disk upgrades
- Failure symptom
  - Do diagnostics indicate a failure?
  - What, when, where, single, or multiple systems?
  - Is the failure repeatable?

- Has this configuration ever worked?
- If it has been working, what changes were made prior to it failing?
- Is this the original reported failure?
- Diagnostics version
  - Type and version level
- Hardware configuration
  - Print (print screen) configuration currently in use
  - BIOS level
- Operating system software
  - Type and version level

**Notes:** To eliminate confusion, identical systems are considered identical only if they:

1. Are the exact machine type and models
2. Have the same BIOS level
3. Have the same adapters/attachments in the same locations
4. Have the same address jumpers/terminators/cabling
5. Have the same software versions and levels
6. Have the same Diagnostic Diskettes (version)
7. Have the same configuration options set in the system
8. Have the same setup for the operating system control files

Comparing the configuration and software set-up between “working and non-working” systems will often lead to problem resolution.

---

## Chapter 5. Diagnostics

Diagnostic programs are used to test hardware components of your computer and report operating-system-controlled settings that can cause hardware failures. There are two diagnostic programs preinstalled on your computer:

- Lenovo System Toolbox (used to diagnose problems while running the Windows operating system)
- PC-Doctor for Windows PE (used when your Windows operating system does not start)

### Notes:

1. You can also download the latest version of the Lenovo System Toolbox and PC-Doctor for DOS diagnostic programs from: <http://www.lenovo.com/support>
2. If you are unable to isolate and repair the problem yourself after you run Lenovo System Toolbox and PC-Doctor for Windows PE, save and print the log files created by both diagnostic programs. You will need the log files when you speak to a Lenovo technical support representative. (The log file created by Lenovo System Toolbox is automatically saved in C:\PCDR\DETAILED.txt.)

---

### Lenovo System Toolbox

Lenovo System Toolbox is a diagnostic program that works through the Windows operating system and enables you to view symptoms and solutions for computer problems, access the Lenovo troubleshooting center, update system drivers, and review system information.

To run Lenovo System Toolbox, click **Start** → **All Programs** → **Lenovo System Toolbox** → **Lenovo System Toolbox**. Follow the instructions on the screen. For additional information about running the diagnostic program, refer to the Lenovo System Toolbox help system.

If you still suspect a problem after Lenovo System Toolbox runs successfully, run PC-Doctor for Windows PE to help you diagnose the computer problem.

Lenovo System Toolbox also has problem determination aids that determine software and usage problems.

---

### PC-Doctor for Windows PE

The PC-Doctor for Windows PE diagnostic program is part of the Rescue and Recovery® workspace on each Lenovo computer. Use PC-Doctor for Windows PE, if you are unable to start the Windows operating system or if PC-Doctor for Windows has not been successful in isolating a possible problem.

### Running diagnostics from the Rescue and Recovery workspace

You can run the PC-Doctor for Windows PE diagnostic program from the Rescue and Recovery workspace. To run diagnostics from the Rescue and Recovery workspace, use the following procedure:

1. Shut down the operating system and turn off the computer.
2. Repeatedly press and release the F11 key as you turn on the computer.
3. When you hear beeps or see a logo screen, stop pressing the F11 key. The Rescue and Recovery workspace opens.
4. From the Rescue and Recovery workspace, select **Diagnose hardware**.
5. The diagnostic program opens automatically. Select the diagnostic test you want to run. Press the F1 key for additional help.

6. Follow the instructions on the screen.

**Note:** Rescue media includes PC-Doctor for Windows PE. For more information about rescue media, see the *User Guide* for the computer.

---

## PC-Doctor for DOS

Use PC-Doctor for DOS, if you are unable to start the Windows operating system or if PC-Doctor for Windows has not been successful in isolating a possible problem. You can run PC-Doctor for DOS from a diagnostic CD image or diagnostic diskettes that have been created.

**Note:** It is important to create a diagnostic CD image or diagnostic diskettes in case PC-Doctor for Windows PE cannot be run from the Rescue and Recovery workspace.

### Creating a diagnostic CD image

To create a diagnostic CD image, download a self-starting bootable CD image (known as an .iso image) of the diagnostic program from <http://www.lenovo.com/support/>. After you download the image, you can create the CD using any CD burning software.

If the computer does not have a CD burner or you do not have Internet access, see "Creating diagnostic diskettes" on page 34.

### Creating diagnostic diskettes

To create diagnostic diskettes, download the PC-Doctor for DOS diagnostic program from <http://www.lenovo.com/support/> onto two blank, formatted diskettes.

If you do not have Internet access, create the diagnostic diskettes using the following procedure:

**Note:** You will need a diskette drive on the computer or a USB diskette drive to complete this procedure.

1. Shut down the operating system and turn off the computer.
2. If you are using a USB diskette drive, plug it into the computer.
3. Repeatedly press and release the F11 key as you turn on the computer.
4. When you hear beeps or see a logo screen, stop pressing the F11 key. The Rescue and Recovery workspace opens.

**Note:** For some models, press the Esc key to enter Rescue and Recovery.

5. From the Rescue and Recovery workspace, select **Create diagnostic disks**.
6. Follow the instructions on the screen.
7. When prompted, insert a blank, formatted diskette into the diskette drive and continue to follow the instructions on the screen.
8. When the operation is complete, remove the diskette and click **Quit**.
9. Insert another blank, formatted diskette into the diskette drive and continue to follow the instructions on the screen.
10. When the operation is complete, remove the diskette and click **Quit**.

### Running diagnostics from the CD or diskettes

To run diagnostics from the diagnostic CD image or diagnostic diskettes that you created, use the following procedure:

1. Make sure the computer is turned off.
2. If you are running diagnostics from diskettes using a USB diskette drive, plug in the USB device.



3. Insert the CD into the optical drive or the first diagnostic diskette into the diskette drive.
4. Restart the computer.

**Note:** If the diagnostic program does not start, you might not have your optical drive or diskette drive set as a startable device. See "Selecting a startup device" on page 41 for instructions on how to change the startup device.

5. When the diagnostics program opens, follow the instructions on the screen.

**Note:** If you are running diagnostics from a diskette, when prompted, remove the first diskette and insert the second diskette.

6. When the program finishes, be sure to remove the CD or diskette from the drive.
7. Select the diagnostic test you want to run. Press the F1 key for additional help.

## Navigating through the diagnostics programs

Use the cursor movement keys to navigate within the menus.

- The **Enter** key is used to select a menu item.
- The **Esc** key is used to back up to the previous menu.
- For online help select **F1**.

## Running tests

There are four ways to run the diagnostic tests.

- Using the cursor movement keys, highlight **Run Normal Test** or **Run Quick Test** from the Diagnostics menu and then press **Enter**. This automatically runs a pre-defined group of tests from each test category. **Run Normal Test** runs a more extensive set of tests than does **Run Quick Test** and takes longer to complete.
- Press **F5** to automatically run all selected tests in all categories.
- From within a test category, press **Ctrl-Enter** to automatically run only the selected tests in that category.
- Using the cursor movement keys, highlight a single test within a test category, and then press **Enter**. This runs only that test.

Press **Esc** at any time to stop the testing process.

Test results (N/A, PASSED, FAILED, ABORTED) are displayed in the field beside the test description and in the test log. See "Viewing the test log" on page 36.

To select one or more tests, use the following procedure.

1. Open the corresponding test category.
2. Using the cursor movement keys, highlight the desired test.
3. Press the space bar.  
A selected test is marked by >>. Pressing the space bar again de-selects a test and removes the >>.
4. Repeat steps 2 and 3 above to select all desired tests.

## Test results

Diagnostics test results produce the following error code format:

Function Code	Failure Type	DeviceID	Date	ChkDigits	Text
---------------	--------------	----------	------	-----------	------

- **Function Code:**  
Represents the feature or function within the PC.
- **Failure Type:**  
Represents the type of error encountered.
- **DeviceID:**  
Contains the component's unit-ID which corresponds to either a fixed disk drive, removable media drive, serial or parallel port, processor, specific RIMM, or a device on the PCI bus.
- **Date:**  
Contains the date when the diagnostic test was run. The date is retrieved from CMOS and displayed using the YYYYMMDD format.
- **ChkDigits:**  
Contains a 2-digit check-digit value to ensure the following:
  - Diagnostics were run on the specified date.
  - Diagnostics were run on the specified computer.
  - The diagnostic error code is recorded correctly.
- **Text:**  
Description of the error.

**Note:** See "Diagnostic error codes" on page 44 for error code listings.

### Quick and Full erase - hard drive

The diagnostics program offers two hard drive format utilities:

- Quick Erase Hard Drive
- Full Erase Hard Drive

The Quick Erase Hard Drive provides a DOS utility that performs the following:

- Destroys the Master Boot Record (MBR) on the hard drive.
- Destroys all copies of the FAT Table on all partitions (both the master and backup).
- Destroys the partition table.
- Provides messages that warn the user that this is a non-recoverable process.

The Full Erase Hard Drive provides a DOS utility that performs the following:

- Performs all the steps in Quick Erase.
- Provides a DOS utility that writes random data to all sectors of the hard drive.
- Provides an estimate of time to completion along with a visual representation of completion status.
- Provides messages that warn the user about non-recoverable process.

**Important:** Make sure that all data is backed up before using the Quick or Full Erase functions.

To select the Quick Erase or Full Erase Hard Drive utility, use the following procedure:

1. Select the UTILITY option on the toolbar and press **Enter**.
2. Select either the QUICK ERASE or FULL ERASE HARD DISK option and follow the instructions.

### Viewing the test log

Errors reported by the diagnostic test will be displayed by the program as a failed test.

To view details of a failure or to view a list of test results, use the following procedure from any test category screen:

1. Press **F3** to activate the log file.
2. Press **F3** again to save the file to diskette or press **F2** to print the file.



---

## Chapter 6. Using the Setup Utility

The Setup Utility program is used to view and change the configuration settings of your computer, regardless of which operating system you are using. However, the operating-system settings might override any similar settings in the Setup Utility program.

---

### Starting the Setup Utility program

To start the Setup Utility program, do the following:

1. If your computer is already on when you start this procedure, shut down the operating system and turn off the computer.
2. Press and hold the F1 key then turn on the computer.
3. Release the F1 key.

#### Notes:

- a. If you are using a USB keyboard and the Setup Utility program does not display using this method, repeatedly press and release the F1 key rather than leaving it pressed when turning on the computer.
- b. If a user password or an administrator password has been set, the Setup Utility program menu is not displayed until you type your password. For more information, see "Using passwords" on page 39.

The Setup Utility might start automatically when POST detects that hardware has been removed or new hardware has been installed in your computer.

---

### Viewing and changing settings

The Setup Utility program menu lists items that identify system configuration topics. To view or change settings, see "Starting the Setup Utility program" on page 39.

When working with the Setup Utility program menu, you must use the keyboard. The keys used to perform various tasks are displayed at the bottom of each screen.

---

### Using passwords

By using the Setup Utility program, you can set passwords to prevent unauthorized persons from gaining access to your computer and data. See "Starting the Setup Utility program" on page 39. The following types of passwords are available:

- User Password
- Administrator Password

You do not have to set any passwords to use your computer. However, if you decide to set any passwords, read the following sections.

### Password considerations

A password can be any combination of up to twelve alphabetic and numeric characters (a-z and 0-9). For security reasons, it is a good idea to use a strong password that cannot be easily compromised. Passwords should adhere to the following rules:

- Have at least eight characters in length

- Contain at least one alphabetic character and one numeric character
- Setup Utility program and hard disk drive passwords are not case sensitive
- Not be your name or your user name
- Not be a common word or a common name
- Be significantly different from your previous password

## User Password

When a User Password is set, the computer cannot be used until a valid password is typed from the keyboard.

## Administrator Password

When an Administrator Password is set, it deters unauthorized persons from changing configuration settings. If you are responsible for maintaining the settings of several computers, you might want to set an Administrator Password.

After you set an Administrator Password, a password prompt is displayed each time you try to access the Setup Utility program.

If both the user and administrator passwords are set, you can type either password. However, to change any configuration settings, you must use your administrator password.

## Setting, changing, and deleting a password

To set, change, or delete a password, do the following:

**Note:** A password can be any combination of up to twelve alphabetic and numeric characters (a-z and 0-9). For more information, see "Password considerations" on page 39.

1. Start the Setup Utility program (see Chapter 6 "Using the Setup Utility" on page 39).
2. From the Setup Utility program menu, select **Security**.
3. Based on your need, select **Set User Passwords** or **Set Administrator Passwords**.
4. Read the information displayed on the right side of the screen.

---

## Enabling or disabling a device

You can enable or disable user access to a device.

- |                                  |  |
|----------------------------------|--|
| <b>SATA 1</b>                    | When this feature is set to <b>Disable</b> , all devices connected to the SATA controller (such as hard disk drives or the CD-ROM drive) are disabled and will not be displayed in the system configuration. |
| <b>OnBoard Floppy Controller</b> | When this feature is set to <b>Disable</b> , the diskette drive cannot be accessed.  |

To set the SATA 1, do the following:

1. Start the Setup Utility program (see "Starting the Setup Utility program" on page 39).
2. From the Setup Utility program menu, select **Devices** → **SATA Drives Setup** → **SATA 1** and press Enter.
3. Select **32 Bit Data Transfer**.
4. Select the desired settings and press Enter.
5. Return to the Setup Utility program menu and select **Exit** → **Save Changes and Exit**.

**Note:** If you do not want to save the settings, select **Discard Changes** or **Discard Changes and Exit**.

To set the OnBoard Floppy Controller, do the following:

1. Start the Setup Utility program (see "Starting the Setup Utility program" on page 39).
2. From the Setup Utility program menu, select **Devices** → **Floppy Drive Setup** → **OnBoard Floppy Controller**.
3. Select the desired settings and press Enter.
4. Return to the Setup Utility program menu and select **Exit** → **Save Changes and Exit**.

**Note:** If you do not want to save the settings, select **Discard Changes** or **Discard Changes and Exit**.

---

## Selecting a startup device

If your computer does not start up from a device such as the CD-ROM, diskette, or hard disk drive as expected, use one of the following procedures to select a startup device.

### Selecting a temporary startup device

Use this procedure to startup from any start device.

**Note:** Not all CDs, hard disk drives, and diskettes are bootable.

1. Turn off your computer.
2. Press and hold the F12 key then turn on the computer. When the Startup Device Menu appears, release the F12 key.

**Note:** If you are using a USB keyboard and the Startup Device Menu does not display using this method, repeatedly press and release the F12 key rather than leaving it pressed when turning on the computer.

3. Select the desired startup device from the Startup Device Menu and press Enter to begin.

**Note:** Selecting a startup device from the Startup Device menu does not permanently change the startup sequence.

### Selecting or changing the startup device sequence

To view or permanently change the configured startup device sequence, do the following:

1. Start the Setup Utility program (see "Starting the Setup Utility program" on page 39).
2. Select **Startup** and read the information displayed on the right side of the screen.
3. Select the devices for the Primary Boot Sequence, the Automatic Boot Sequence, and the Error Boot Sequence.
4. From the Setup Utility menu, select **Exit** → **Save Changes and Exit**.

If you have changed these settings and want to return to the default settings, select **Load Optimal Defaults** on the Exit menu.

---

## Exiting from the Setup Utility program

After you finish viewing or changing settings, press Esc to return to the Setup Utility program menu (you might have to press Esc several times). If you want to save the new settings, select **Save Changes and Exit**. Otherwise, your changes will not be saved.





---

## Chapter 7. Symptom-to-FRU Index

The Symptom-to-FRU index lists error symptoms and possible causes. The most likely cause is listed first. Always begin with Chapter 4 "General Checkout" on page 31. This index can also be used to help you decide which FRUs to have available when servicing a computer. If you are unable to correct the problem using this index, go to "Undetermined problems" on page 65.

**Notes:**

- If you have both an error message and an incorrect audio response, diagnose the error message first.
- If you cannot run the diagnostic tests or you get a diagnostic error code when running a test, but did receive a POST error message, diagnose the POST error message first.
- If you did not receive any error message, look for a description of your error symptoms in the first part of this index.

---

### Hard disk drive boot error

A hard disk drive boot error (error codes 1962 and I999030X) can have the following causes.

Error	FRU/Action
The start-up drive is not in the boot sequence in configuration.	Check the configuration and ensure the start-up drive is in the boot sequence.
No operating system installed on the boot drive.	Install an operating system on the boot drive.
The boot sector on the start-up drive is corrupted.	The drive must be formatted, do the following: <ol style="list-style-type: none"><li>1. Attempt to back-up the data on the failing hard disk drive.</li><li>2. Using the operating systems programs, format the hard disk drive.</li></ol>
The drive is defective.	Replace the hard disk drive.

---

### Power Supply Problems

If you suspect a power problem, use the following procedures.

Check/Verify	FRU/Action
Check the following for proper installation. <ul style="list-style-type: none"><li>• Power Cord</li><li>• On/Off Switch connector</li><li>• On/Off Switch Power Supply connector</li><li>• System Board Power Supply connectors</li><li>• Microprocessor(s) connection</li></ul>	Reseat connectors
Check the power cord for continuity.	Power Cord
Check the power-on switch for continuity.	Power-on Switch

## Diagnostic error codes

Refer to the following diagnostic error codes when using the diagnostic tests. See "Running tests" on page 35 for the specific type for information about the Diagnostic programs.

In the following index, X can represent any number.

Diagnostic Error Code	FRU/Action
000-000-XXX BIOS Test Passed	<b>No action</b>
000-002-XXX BIOS Timeout	<ol style="list-style-type: none"> <li>1. <b>Flash the system. See "Flash update procedures" on page 467</b></li> <li>2. System board</li> </ol>
000-024-XXX BIOS Addressing test failure	<ol style="list-style-type: none"> <li>1. <b>Flash the system. See "Flash update procedures" on page 467</b></li> <li>2. System board</li> </ol>
000-025-XXX BIOS Checksum Value error	<ol style="list-style-type: none"> <li>1. <b>Flash the system. See "Flash update procedures" on page 467</b></li> <li>2. System board</li> </ol>
000-026-XXX FLASH data error	<ol style="list-style-type: none"> <li>1. <b>Flash the system. See "Flash update procedures" on page 467</b></li> <li>2. System board</li> </ol>
000-027-XXX BIOS Configuration/Setup error	<ol style="list-style-type: none"> <li>1. <b>Run Setup</b></li> <li>2. Flash the system. See "Flash update procedures" on page 467</li> <li>3. System board</li> </ol>
000-034-XXX BIOS Buffer Allocation failure	<ol style="list-style-type: none"> <li>1. <b>Reboot the system</b></li> <li>2. Flash the system. See "Flash update procedures" on page 467</li> <li>3. Run memory test</li> <li>4. System board</li> </ol>
000-035-XXX BIOS Reset Condition detected	<ol style="list-style-type: none"> <li>1. <b>Flash the system. See "Flash update procedures" on page 467</b></li> <li>2. System board</li> </ol>
000-036-XXX BIOS Register error	<ol style="list-style-type: none"> <li>1. <b>Flash the system. See "Flash update procedures" on page 467</b></li> <li>2. System board</li> </ol>
000-038-XXX BIOS Extension failure	<ol style="list-style-type: none"> <li>1. <b>Flash the system. See "Flash update procedures" on page 467</b></li> <li>2. PCI adapter card</li> <li>3. System board</li> </ol>
000-039-XXX BIOS DMI data error	<ol style="list-style-type: none"> <li>1. <b>Flash the system. See "Flash update procedures" on page 467</b></li> <li>2. System board</li> </ol>
000-195-XXX BIOS Test aborted by user	<b>Information only</b> Re-start the test, if necessary
000-196-XXX BIOS test halt, error threshold exceeded	<ol style="list-style-type: none"> <li>1. <b>Press F3 to review the log file</b></li> <li>2. Re-start the test to reset the log file</li> </ol>

<b>Diagnostic Error Code</b>	<b>FRU/Action</b>
<b>000-197-XXX</b> BIOS test warning	<ol style="list-style-type: none"> <li>1. <b>Make sure the component that is called out is connected and/or enabled. See Chapter 6 "Using the Setup Utility" on page 39</b></li> <li>2. Re-run test</li> <li>3. Replace the component that is called out in warning statement</li> <li>4. Replace the component under test</li> </ol>
<b>000-198-XXX</b> BIOS test aborted	<ol style="list-style-type: none"> <li>1. <b>Make sure the component that is called out is connected and/or enabled. See Chapter 6 "Using the Setup Utility" on page 39</b></li> <li>2. Flash the system and retest. See "Flash update procedures" on page 467</li> <li>3. Go to "Undetermined problems" on page 65</li> </ol>
<b>000-199-XXX</b> BIOS test failed, cause unknown	<ol style="list-style-type: none"> <li>1. Go to "Undetermined problems" on page 65</li> <li>2. Flash the system and re-test</li> <li>3. Replace component under function test</li> </ol>
<b>000-250-XXX</b> BIOS APM failure	<ol style="list-style-type: none"> <li>1. <b>Flash the system. See "Flash update procedures" on page 467</b></li> <li>2. System board</li> </ol>
<b>000-270-XXX</b> BIOS ACPI failure	<ol style="list-style-type: none"> <li>1. <b>Flash the system. See "Flash update procedures" on page 467</b></li> <li>2. System board</li> </ol>
<b>001-000-XXX</b> System Test Passed	<b>No action</b>
<b>001-00X-XXX</b> System Error	<b>System board</b>
<b>001-01X-XXX</b> System Error	<b>System board</b>
<b>001-024-XXX</b> System Addressing test failure	<b>System board</b>
<b>001-025-XXX</b> System Checksum Value error	<ol style="list-style-type: none"> <li>1. <b>Flash the system. See "Flash update procedures" on page 467</b></li> <li>2. System board</li> </ol>
<b>001-026-XXX</b> System FLASH data error	<ol style="list-style-type: none"> <li>1. <b>Flash the system. See "Flash update procedures" on page 467</b></li> <li>2. System board</li> </ol>
<b>001-027-XXX</b> System Configuration/Setup error	<ol style="list-style-type: none"> <li>1. <b>Run Setup</b></li> <li>2. Flash the system. See "Flash update procedures" on page 467</li> <li>3. System board</li> </ol>
<b>001-032-XXX</b> System Device Controller failure	<b>System board</b>
<b>001-034-XXX</b> System Device Buffer Allocation failure	<ol style="list-style-type: none"> <li>1. <b>Reboot the system</b></li> <li>2. Flash the system. See "Flash update procedures" on page 467</li> <li>3. Run memory test</li> <li>4. System board</li> </ol>
<b>001-035-XXX</b> System Device Reset condition detected	<b>System board</b>
<b>001-036-XXX</b> System Register error	<b>System board</b>

<b>Diagnostic Error Code</b>	<b>FRU/Action</b>
<b>001-038-XXX</b> System Extension failure	<ol style="list-style-type: none"> <li>1. <b>PCI adapter card</b></li> <li>2. System board</li> </ol>
<b>001-039-XXX</b> System DMI data structure error	<ol style="list-style-type: none"> <li>1. <b>Flash the system. See "Flash update procedures" on page 467</b></li> <li>2. System board</li> </ol>
<b>001-040-XXX</b> System IRQ failure	<ol style="list-style-type: none"> <li>1. <b>Power-off/on system and re-test</b></li> <li>2. System board</li> </ol>
<b>001-041-XXX</b> System DMA failure	<ol style="list-style-type: none"> <li>1. <b>Power-off/on system and re-test</b></li> <li>2. System board</li> </ol>
<b>001-195-XXX</b> System Test aborted by user	<b>Information only</b> Re-start the test, if necessary
<b>001-196-XXX</b> System test halt, error threshold exceeded	<ol style="list-style-type: none"> <li>1. <b>Press F3 to review the log file</b></li> <li>2. Re-start the test to reset the log file</li> </ol>
<b>001-197-XXX</b> System test warning	<ol style="list-style-type: none"> <li>1. <b>Make sure the component that is called out is connected and/or enabled. See Chapter 6 "Using the Setup Utility" on page 39</b></li> <li>2. Re-run test</li> <li>3. Replace the component that is called out in warning statement</li> <li>4. Replace the component under test</li> </ol>
<b>001-198-XXX</b> System test aborted	<ol style="list-style-type: none"> <li>1. <b>If a component is called out, make sure it is connected and/or enabled. See Chapter 6 "Using the Setup Utility" on page 39</b></li> <li>2. Flash the system and retest. See "Flash update procedures" on page 467</li> <li>3. Go to "Undetermined problems" on page 65</li> </ol>
<b>001-199-XXX</b> System test failed, cause unknown	<ol style="list-style-type: none"> <li>1. Go to "Undetermined problems" on page 65</li> <li>2. Flash the system and re-test</li> <li>3. Replace component under function test</li> </ol>
<b>001-250-XXX</b> System ECC error	<b>System board</b>
<b>001-254-XXX 001-255-XXX 001-256-XXX 001-257-XXX</b> System DMA error	<b>System board</b>
<b>001-260-XXX 001-264-XXX</b> System IRQ error	<b>System board</b>
<b>001-268-XXX</b> System IRQ1 failure	<ol style="list-style-type: none"> <li>1. <b>Device on IRQ1</b></li> <li>2. System board</li> </ol>
<b>001-269-XXX</b> System IRQ2 failure	<ol style="list-style-type: none"> <li>1. <b>Device on IRQ2</b></li> <li>2. System board</li> </ol>
<b>001-270-XXX</b> System IRQ3 failure	<ol style="list-style-type: none"> <li>1. <b>Device on IRQ3</b></li> <li>2. System board</li> </ol>
<b>001-271-XXX</b> System IRQ4 failure	<ol style="list-style-type: none"> <li>1. <b>Device on IRQ4</b></li> <li>2. System board</li> </ol>
<b>001-272-XXX</b> System IRQ5 failure	<ol style="list-style-type: none"> <li>1. <b>Device on IRQ5</b></li> <li>2. System board</li> </ol>

<b>Diagnostic Error Code</b>	<b>FRU/Action</b>
<b>001-273-XXX</b> System IRQ6 (diskette drive) failure	1. <b>Diskette Cable</b> 2. Diskette drive 3. System board
<b>001-274-XXX</b> System IRQ7 failure	1. <b>Device on IRQ7</b> 2. System board
<b>001-275-XXX</b> System IRQ8 failure	1. <b>Device on IRQ8</b> 2. System board
<b>001-276-XXX</b> System IRQ9 failure	1. <b>Device on IRQ9</b> 2. System board
<b>001-277-XXX</b> System IRQ10 failure	1. <b>Device on IRQ10</b> 2. System board
<b>001-278-XXX</b> System IRQ11 failure	1. <b>Device on IRQ11</b> 2. System board
<b>001-279-XXX</b> System IRQ12 failure	1. <b>Device on IRQ12</b> 2. System board
<b>001-280-XXX</b> System IRQ13 failure	1. <b>Device on IRQ13</b> 2. System board
<b>001-281-XXX</b> System IRQ14 (hard disk drive) failure	1. <b>Hard disk drive cable</b> 2. Hard disk drive 3. System board
<b>001-282-XXX</b> System IRQ15 failure	1. <b>Device on IRQ15</b> 2. System board
<b>001-286-XXX 001-287-XXX 001-288-XXX</b> System Timer failure	<b>System board</b>
<b>001-292-XXX</b> System CMOS RAM error	1. <b>Run Setup and re-test</b> 2. System board
<b>001-293-XXX</b> System CMOS Battery	1. <b>CMOS Battery</b> 2. System board
<b>001-298-XXX</b> System RTC date/time update failure	1. <b>Flash the system. See "Flash update procedures" on page 467</b> 2. System board
<b>001-299-XXX</b> System RTC periodic interrupt failure	<b>System board</b>
<b>001-300-XXX</b> System RTC Alarm failure	<b>System board</b>
<b>001-301-XXX</b> System RTC Century byte error	1. <b>Flash the system. See "Flash update procedures" on page 467</b> 2. System board
<b>005-000-XXX</b> Video Test Passed	<b>No action</b>
<b>005-00X-XXX</b> Video error	1. <b>Video card, if installed</b> 2. System board
<b>005-010-XXX 005-011-XXX 005-012-XXX 005-013-XXX</b> Video Signal failure	1. <b>Video card, if installed</b> 2. System board

Diagnostic Error Code	FRU/Action
005-016-XXX Video Simple Pattern test failure	<ol style="list-style-type: none"> <li>1. <b>Video Ram</b></li> <li>2. Video card, if installed</li> <li>3. System board</li> </ol>
005-024-XXX Video Addressing test failure	<ol style="list-style-type: none"> <li>1. <b>Video card, if installed</b></li> <li>2. System board</li> </ol>
005-025-XXX Video Checksum Value error	<ol style="list-style-type: none"> <li>1. <b>Video card, if installed</b></li> <li>2. System board</li> </ol>
005-027-XXX Video Configuration/Setup error	<ol style="list-style-type: none"> <li>1. <b>Run Setup</b></li> <li>2. Video drivers update</li> <li>3. Video card, if installed</li> <li>4. System board</li> </ol>
005-031-XXX Video Device Cable failure	<ol style="list-style-type: none"> <li>1. <b>Video cable</b></li> <li>2. Monitor</li> <li>3. Video card, if installed</li> <li>4. System board</li> </ol>
005-032-XXX Video Device Controller failure	<ol style="list-style-type: none"> <li>1. <b>Video card, if installed</b></li> <li>2. System board</li> </ol>
005-036-XXX Video Register error	<ol style="list-style-type: none"> <li>1. <b>Video card, if installed</b></li> <li>2. System board</li> </ol>
005-038-XXX System BIOS extension failure	<ol style="list-style-type: none"> <li>1. <b>Video card, if installed</b></li> <li>2. System board</li> </ol>
005-040-XXX Video IRQ failure	<ol style="list-style-type: none"> <li>1. <b>Video card, if installed</b></li> <li>2. System board</li> </ol>
005-195-XXX Video Test aborted by user	<b>Information only</b> Re-start the test, if necessary
005-196-XXX Video test halt, error threshold exceeded	<ol style="list-style-type: none"> <li>1. <b>Press F3 to review the log file</b></li> <li>2. Re-start the test to reset the log file</li> </ol>
005-197-XXX Video test warning	<ol style="list-style-type: none"> <li>1. <b>Make sure the component that is called out is connected and/or enabled. See Chapter 6 "Using the Setup Utility" on page 39</b></li> <li>2. Re-run test</li> <li>3. Replace the component called out in warning statement</li> <li>4. Replace the component under test</li> </ol>
005-198-XXX Video test aborted	<ol style="list-style-type: none"> <li>1. <b>If a component is called out, make sure it is connected and/or enabled. See Chapter 6 "Using the Setup Utility" on page 39</b></li> <li>2. Flash the system and re-test. See "Flash update procedures" on page 467</li> <li>3. Go to "Undetermined problems" on page 65</li> </ol>
005-199-XXX Video test failed, cause unknown	<ol style="list-style-type: none"> <li>1. Go to "Undetermined problems" on page 65</li> <li>2. Flash the system and re-test. See "Flash update procedures" on page 467</li> <li>3. Replace component under function test</li> </ol>

<b>Diagnostic Error Code</b>	<b>FRU/Action</b>
<b>005-2XX-XXX 005-3XX-XXX</b> Video subsystem error	<ol style="list-style-type: none"> <li>1. <b>Video card, if installed</b></li> <li>2. System board</li> </ol>
<b>006-000-XXX</b> Diskette interface Test Passed	<b>No action</b>
<b>006-0XX-XXX</b> Diskette interface error	<ol style="list-style-type: none"> <li>1. <b>Diskette drive Cable</b></li> <li>2. Diskette drive</li> <li>3. System board</li> </ol>
<b>006-195-XXX</b> Diskette interface Test aborted by user	<b>Information only</b> Re-start the test, if necessary
<b>006-196-XXX</b> Diskette interface test halt, error threshold exceeded	<ol style="list-style-type: none"> <li>1. <b>Press F3 to review the log file</b></li> <li>2. Re-start the test to reset the log file</li> </ol>
<b>006-197-XXX</b> Diskette interface test warning	<ol style="list-style-type: none"> <li>1. <b>If a component is called out, make sure it is connected and/or enabled</b></li> <li>2. Re-run test</li> <li>3. Replace the component that is called out in warning statement</li> <li>4. Replace the component under test</li> </ol>
<b>006-198-XXX</b> Diskette interface test aborted	<ol style="list-style-type: none"> <li>1. <b>If a component is called out, make sure it is connected and/or enabled</b></li> <li>2. Flash the system and re-test. See "Flash update procedures" on page 467</li> <li>3. Go to "Undetermined problems" on page 65</li> </ol>
<b>006-199-XXX</b> Diskette interface test failed, cause unknown	<ol style="list-style-type: none"> <li>1. Go to "Undetermined problems" on page 65</li> <li>2. Flash the system and re-test</li> <li>3. Replace component under function test</li> </ol>
<b>006-25X-XXX</b> Diskette interface Error	<ol style="list-style-type: none"> <li>1. <b>Diskette drive cable</b></li> <li>2. Diskette drive</li> <li>3. System board</li> </ol>
<b>011-000-XXX</b> Serial port Interface Test Passed	<b>No action</b>
<b>011-001-XXX</b> Serial port Presence	<ol style="list-style-type: none"> <li>1. <b>Remove external serial device, if present</b></li> <li>2. Run setup, enable port</li> <li>3. System board</li> </ol>
<b>011-002-XXX 011-003-XXX</b> Serial port Timeout/Parity error	<b>System board</b>
<b>011-013-XXX 011-014-XXX</b> Serial port Control Signal/Loopback test failure	<b>System board</b>
<b>011-015-XXX</b> Serial port External Loopback failure	<ol style="list-style-type: none"> <li>1. <b>Wrap plug</b></li> <li>2. System board</li> </ol>
<b>011-027-XXX</b> Serial port Configuration/Setup error	<ol style="list-style-type: none"> <li>1. <b>Run Setup, enable port</b></li> <li>2. Flash the system. See "Flash update procedures" on page 467</li> <li>3. System board</li> </ol>
<b>011-03X-XXX 011-04X-XXX</b> Serial port failure	<b>System board</b>
<b>011-195-XXX</b> Serial port Test aborted by user	<b>Information only</b> Re-start the test, if necessary

<b>Diagnostic Error Code</b>	<b>FRU/Action</b>
<b>011-196-XXX</b> Serial port test halt, error threshold exceeded	<ol style="list-style-type: none"> <li>1. <b>Press F3 to review the log file</b></li> <li>2. Re-start the test to reset the log file</li> </ol>
<b>011-197-XXX</b> Serial port test warning	<ol style="list-style-type: none"> <li>1. <b>Make sure the component that is called out is connected and/or enabled. See Chapter 6 "Using the Setup Utility" on page 39</b></li> <li>2. Re-run test</li> <li>3. Replace the component that is called out in warning statement</li> <li>4. Replace the component under test</li> </ol>
<b>011-198-XXX</b> Serial port test aborted	<ol style="list-style-type: none"> <li>1. <b>If a component is called out, make sure it is connected and/or enabled. See Chapter 6 "Using the Setup Utility" on page 39</b></li> <li>2. Flash the system and re-test. See "Flash update procedures" on page 467</li> <li>3. Go to "Undetermined problems" on page 65</li> </ol>
<b>011-199-XXX</b> Serial port test failed, cause unknown	<ol style="list-style-type: none"> <li>1. Go to "Undetermined problems" on page 65</li> <li>2. Flash the system and re-test. See "Flash update procedures" on page 467</li> <li>3. Replace component under function test</li> </ol>
<b>011-2XX-XXX</b> Serial port signal failure	<ol style="list-style-type: none"> <li>1. <b>External serial device</b></li> <li>2. System board</li> </ol>
<b>014-000-XXX</b> Parallel port Interface Test Passed	<b>No action</b>
<b>014-001-XXX</b> Parallel port Presence	<ol style="list-style-type: none"> <li>1. <b>Remove external parallel device, if present</b></li> <li>2. Run setup, enable port</li> <li>3. System board</li> </ol>
<b>014-002-XXX 014-003-XXX</b> Parallel port Timeout/Parity error	<b>System board</b>
<b>014-013-XXX 014-014-XXX</b> Parallel port Control Signal/Loopback test failure	<b>System board</b>
<b>014-015-XXX</b> Parallel port External Loopback failure	<ol style="list-style-type: none"> <li>1. <b>Wrap plug</b></li> <li>2. System board</li> </ol>
<b>014-027-XXX</b> Parallel port Configuration/Setup error	<ol style="list-style-type: none"> <li>1. <b>Run Setup, enable port</b></li> <li>2. Flash the system. See "Flash update procedures" on page 467</li> <li>3. System board</li> </ol>
<b>014-03X-XXX 014-04X-XXX</b> Parallel port failure	<b>System board</b>
<b>014-195-XXX</b> Parallel port Test aborted by user	<b>Information only</b> Re-start the test, if necessary
<b>014-196-XXX</b> Parallel port test halt, error threshold exceeded	<ol style="list-style-type: none"> <li>1. <b>Press F3 to review the log file</b></li> <li>2. Re-start the test to reset the log file</li> </ol>



Diagnostic Error Code	FRU/Action
014-197-XXX Parallel port test warning	<ol style="list-style-type: none"> <li>1. <b>Make sure the component that is called out is connected and/or enabled. See Chapter 6 "Using the Setup Utility" on page 39</b></li> <li>2. Re-run test</li> <li>3. Replace the component that is called out in warning statement</li> <li>4. Replace the component under test</li> </ol>
014-198-XXX Parallel port test aborted	<ol style="list-style-type: none"> <li>1. <b>If a component is called out, make sure it is connected and/or enabled</b></li> <li>2. Flash the system and re-test. See "Flash update procedures" on page 467</li> <li>3. Go to "Undetermined problems" on page 65</li> </ol>
014-199-XXX Parallel port test failed, cause unknown	<ol style="list-style-type: none"> <li>1. Go to "Undetermined problems" on page 65</li> <li>2. Flash the system and re-test. See "Flash update procedures" on page 467</li> <li>3. Replace component under function test</li> </ol>
014-2XX-XXX 014-3XX-XXX Parallel port failure	<ol style="list-style-type: none"> <li>1. <b>External parallel device</b></li> <li>2. System board</li> </ol>
015-000-XXX USB port Interface Test Passed	<b>No action</b>
015-001-XXX USB port Presence	<ol style="list-style-type: none"> <li>1. <b>Remove USB device(s) and re-test</b></li> <li>2. System board</li> </ol>
015-002-XXX USB port Timeout	<ol style="list-style-type: none"> <li>1. <b>Remove USB device(s) and re-test</b></li> <li>2. System board</li> </ol>
015-015-XXX USB port External Loopback failure	<ol style="list-style-type: none"> <li>1. <b>Remove USB device(s) and re-test</b></li> <li>2. System board</li> </ol>
015-027-XXX USB port Configuration/Setup error	<ol style="list-style-type: none"> <li>1. <b>Flash the system. See "Flash update procedures" on page 467</b></li> <li>2. System board</li> </ol>
015-032-XXX USB port Device Controller failure	<b>System board</b>
015-034-XXX USB port buffer allocation failure	<ol style="list-style-type: none"> <li>1. <b>Reboot the system</b></li> <li>2. Flash the system and re-test. See "Flash update procedures" on page 467</li> <li>3. Run memory test</li> <li>4. System board</li> </ol>
015-035-XXX USB port Reset condition detected	<ol style="list-style-type: none"> <li>1. <b>Remove USB device(s) and re-test</b></li> <li>2. System board</li> </ol>
015-036-XXX USB port Register error	<b>System board</b>
015-040-XXX USB port IRQ failure	<ol style="list-style-type: none"> <li>1. <b>Run setup and check for conflicts</b></li> <li>2. Flash the system. See "Flash update procedures" on page 467</li> <li>3. System board</li> </ol>
015-195-XXX USB port Test aborted by user	<b>Information only</b> Re-start the test, if necessary

Diagnostic Error Code	FRU/Action
015-196-XXX USB port test halt, error threshold exceeded	<ol style="list-style-type: none"> <li>1. <b>Press F3 to review the log file</b></li> <li>2. Re-start the test to reset the log file</li> </ol>
015-197-XXX USB port test warning	<ol style="list-style-type: none"> <li>1. <b>Make sure the component that is called out is connected and/or enabled. See Chapter 6 "Using the Setup Utility" on page 39</b></li> <li>2. Re-run test</li> <li>3. Replace the component that is called out in warning statement</li> <li>4. Replace the component under test</li> </ol>
015-198-XXX USB port test aborted	<ol style="list-style-type: none"> <li>1. <b>If a component is called out, make sure it is connected and/or enabled. See Chapter 6 "Using the Setup Utility" on page 39</b></li> <li>2. Flash the system and re-test. See "Flash update procedures" on page 467</li> <li>3. Go to "Undetermined problems" on page 65</li> </ol>
015-199-XXX USB port test failed, cause unknown	<ol style="list-style-type: none"> <li>1. Go to "Undetermined problems" on page 65</li> <li>2. Flash the system and re-test. See "Flash update procedures" on page 467</li> <li>3. Replace component under function test</li> </ol>
018-000-XXX PCI Card Test Passed	<b>No action</b>
018-0XX-XXX PCI Card Failure	<ol style="list-style-type: none"> <li>1. <b>Riser card, if installed</b></li> <li>2. System board</li> </ol>
018-195-XXX PCI Card Test aborted by user	<ol style="list-style-type: none"> <li>1. <b>PCI card</b></li> <li>2. <b>Information only</b> Re-start the test, if necessary</li> </ol>
018-196-XXX PCI Card test halt, error threshold exceeded	<ol style="list-style-type: none"> <li>1. <b>Press F3 to review the log file</b></li> <li>2. Re-start the test to reset the log file</li> </ol>
018-197-XXX PCI Card test warning	<ol style="list-style-type: none"> <li>1. <b>Make sure the component that is called out is connected and/or enabled. See Chapter 6 "Using the Setup Utility" on page 39</b></li> <li>2. Re-run test</li> <li>3. Replace the component that is called out in warning statement</li> <li>4. Replace the component under test</li> </ol>
018-198-XXX PCI Card test aborted	<ol style="list-style-type: none"> <li>1. <b>If a component is called out, make sure it is connected and/or enabled. See Chapter 6 "Using the Setup Utility" on page 39</b></li> <li>2. Flash the system and re-test. See "Flash update procedures" on page 467</li> <li>3. Go to "Undetermined problems" on page 65</li> </ol>
018-199-XXX PCI Card test failed, cause unknown	<ol style="list-style-type: none"> <li>1. Go to "Undetermined problems" on page 65</li> <li>2. Flash the system and re-test. See "Flash update procedures" on page 467</li> <li>3. Replace component under function test</li> </ol>

<b>Diagnostic Error Code</b>	<b>FRU/Action</b>
<b>018-250-XXX</b> PCI Card Services error	<ol style="list-style-type: none"> <li>1. <b>PCI card</b></li> <li>2. Riser card, if installed</li> <li>3. System board</li> </ol>
<b>020-000-XXX</b> PCI Interface Test Passed	<b>No action</b>
<b>020-0XX-XXX</b> PCI Interface error	<ol style="list-style-type: none"> <li>1. <b>PCI card</b></li> <li>2. Riser card, if installed</li> <li>3. System board</li> </ol>
<b>020-195-XXX</b> PCI Test aborted by user	<b>Information only</b> Re-start the test, if necessary
<b>020-196-XXX</b> PCI test halt, error threshold exceeded	<ol style="list-style-type: none"> <li>1. <b>Press F3 to review the log file</b></li> <li>2. Re-start the test to reset the log file</li> </ol>
<b>020-197-XXX</b> PCI test warning	<ol style="list-style-type: none"> <li>1. <b>Make sure the component that is called out is connected and/or enabled. See Chapter 6 "Using the Setup Utility" on page 39</b></li> <li>2. Re-run test</li> <li>3. Replace the component that is called out in warning statement</li> <li>4. Replace the component under test</li> </ol>
<b>020-198-XXX</b> PCI test aborted	<ol style="list-style-type: none"> <li>1. <b>If a component is called out, make sure it is connected and/or enabled. See Chapter 6 "Using the Setup Utility" on page 39</b></li> <li>2. Flash the system and re-test. See "Flash update procedures" on page 467</li> <li>3. Go to "Undetermined problems" on page 65</li> </ol>
<b>020-199-XXX</b> PCI test failed, cause unknown	<ol style="list-style-type: none"> <li>1. Go to "Undetermined problems" on page 65</li> <li>2. Flash the system and re-test. See "Flash update procedures" on page 467</li> <li>3. Replace component under function test</li> </ol>
<b>020-262-XXX</b> PCI system error	<ol style="list-style-type: none"> <li>1. <b>PCI card</b></li> <li>2. Riser card, if installed</li> <li>3. System board</li> </ol>
<b>025-000-XXX</b> IDE interface Test Passed	<b>No action</b>
<b>025-00X-XXX 025-01X-XXX</b> IDE interface failure	<ol style="list-style-type: none"> <li>1. <b>IDE signal cable</b></li> <li>2. Check power supply voltages</li> <li>3. Reseat IDE signal cable</li> <li>4. IDE device</li> <li>5. System board</li> </ol>
<b>025-027-XXX</b> IDE interface Configuration/Setup error	<ol style="list-style-type: none"> <li>1. <b>IDE signal cable</b></li> <li>2. Flash the system. See "Flash update procedures" on page 467</li> <li>3. Reseat IDE signal cable</li> <li>4. IDE device</li> <li>5. System board</li> </ol>

Diagnostic Error Code	FRU/Action
025-02X-XXX 025-03X-XXX 025-04X-XXX IDE Interface failure	<ol style="list-style-type: none"> <li>1. <b>IDE signal cable</b></li> <li>2. Check power supply</li> <li>3. Reseat IDE signal cable</li> <li>4. IDE device</li> <li>5. System board</li> </ol>
025-195-XXX IDE interface Test aborted by user	<b>Information only</b> Re-start the test, if necessary
025-196-XXX IDE interface test halt, error threshold exceeded	<ol style="list-style-type: none"> <li>1. <b>Press F3 to review the log file</b></li> <li>2. Re-start the test to reset the log file</li> </ol>
025-197-XXX IDE interface test warning	<ol style="list-style-type: none"> <li>1. <b>Make sure the component that is called out is connected and/or enabled. See Chapter 6 "Using the Setup Utility" on page 39</b></li> <li>2. Re-run test</li> <li>3. Replace the component that is called out in warning statement</li> <li>4. Replace the component under test</li> </ol>
025-198-XXX IDE interface test aborted	<ol style="list-style-type: none"> <li>1. <b>If a component is called out, make sure it is connected and/or enabled. See Chapter 6 "Using the Setup Utility" on page 39</b></li> <li>2. Flash the system and re-test. See "Flash update procedures" on page 467</li> <li>3. Go to "Undetermined problems" on page 65</li> </ol>
025-199-XXX IDE interface test failed, cause unknown	<ol style="list-style-type: none"> <li>1. Go to "Undetermined problems" on page 65</li> <li>2. Flash the system and re-test. See "Flash update procedures" on page 467</li> <li>3. Replace component under function test</li> </ol>
030-000-XXX SCSI interface Test Passed	<b>No action</b>
030-00X-XXX 030-01X-XXX SCSI interface failure	<ol style="list-style-type: none"> <li>1. <b>SCSI signal cable</b></li> <li>2. Check power supply</li> <li>3. SCSI device</li> <li>4. SCSI adapter card, if installed</li> <li>5. System board</li> </ol>
030-027-XXX SCSI interface Configuration/Setup error	<ol style="list-style-type: none"> <li>1. <b>SCSI signal cable</b></li> <li>2. Flash the system. See "Flash update procedures" on page 467</li> <li>3. SCSI device</li> <li>4. SCSI adapter card, if installed</li> <li>5. System board</li> </ol>
030-03X-XXX 030-04X-XXX SCSI interface error	<ol style="list-style-type: none"> <li>1. <b>SCSI signal cable</b></li> <li>2. Check power supply</li> <li>3. SCSI device</li> <li>4. SCSI adapter card, if installed</li> <li>5. System board</li> </ol>
030-195-XXX SCSI interface Test aborted by user	<b>Information only</b> Re-start the test, if necessary

Diagnostic Error Code	FRU/Action
030-196-XXX SCSI interface test halt, error threshold exceeded	<ol style="list-style-type: none"> <li>1. <b>Press F3 to review the log file</b></li> <li>2. Re-start the test to reset the log file</li> </ol>
030-197-XXX SCSI interface test warning	<ol style="list-style-type: none"> <li>1. <b>Make sure the component that is called out is connected and/or enabled. See Chapter 6 "Using the Setup Utility" on page 39</b></li> <li>2. Re-run test</li> <li>3. Replace the component that is called out in warning statement</li> <li>4. Replace the component under test</li> </ol>
030-198-XXX SCSI interface test aborted	<ol style="list-style-type: none"> <li>1. <b>If a component is called out, make sure it is connected and/or enabled. See Chapter 6 "Using the Setup Utility" on page 39</b></li> <li>2. Flash the system and re-test. See "Flash update procedures" on page 467</li> <li>3. Go to "Undetermined problems" on page 65</li> </ol>
030-199-XXX SCSI interface test failed, cause unknown	<ol style="list-style-type: none"> <li>1. Go to "Undetermined problems" on page 65</li> <li>2. Flash the system and re-test. See "Flash update procedures" on page 467</li> <li>3. Replace component under function test</li> </ol>
035-000-XXX RAID interface Test Passed	<b>No action</b>
035-0XX-XXX RAID interface Failure	<ol style="list-style-type: none"> <li>1. <b>RAID signal cable</b></li> <li>2. RAID device</li> <li>3. RAID adapter card, if installed</li> <li>4. System board</li> </ol>
035-195-XXX RAID interface Test aborted by user	<b>Information only</b> Re-start the test, if necessary
035-196-XXX RAID interface test halt, error threshold exceeded	<ol style="list-style-type: none"> <li>1. <b>Press F3 to review the log file</b></li> <li>2. Re-start the test to reset the log file</li> </ol>
035-197-XXX RAID interface test warning	<ol style="list-style-type: none"> <li>1. <b>Make sure the component that is called out is connected and/or enabled. See Chapter 6 "Using the Setup Utility" on page 39</b></li> <li>2. Re-run test</li> <li>3. Replace the component that is called out in warning statement</li> <li>4. Replace the component under test</li> </ol>
035-198-XXX RAID interface test aborted	<ol style="list-style-type: none"> <li>1. <b>If a component is called out, make sure it is connected and/or enabled. See Chapter 6 "Using the Setup Utility" on page 39</b></li> <li>2. Flash the system and re-test. See "Flash update procedures" on page 467</li> <li>3. Go to "Undetermined problems" on page 65</li> </ol>
035-199-XXX RAID interface test failed, cause unknown	<ol style="list-style-type: none"> <li>1. See "Undetermined problems" on page 65</li> <li>2. Flash the system and re-test. See "Flash update procedures" on page 467</li> <li>3. Replace component under function test</li> </ol>
071-000-XXX Audio port Interface Test Passed	<b>No action</b>

Diagnostic Error Code	FRU/Action
071-00X-XXX 071-01X-XXX 071-02X-XXX Audio port error	<ol style="list-style-type: none"> <li>1. <b>Run Setup</b></li> <li>2. Flash the system. See "Flash update procedures" on page 467</li> <li>3. System board</li> </ol>
071-03X-XXX Audio port failure	<ol style="list-style-type: none"> <li>1. <b>Speakers</b></li> <li>2. Microphone</li> <li>3. Audio card, if installed</li> <li>4. System board</li> </ol>
071-04X-XXX Audio port failure	<ol style="list-style-type: none"> <li>1. <b>Run Setup</b></li> <li>2. Audio card, if installed</li> <li>3. System board</li> </ol>
071-195-XXX Audio port Test aborted by user	<b>Information only</b> Re-start the test, if necessary
071-196-XXX Audio port test halt, error threshold exceeded	<ol style="list-style-type: none"> <li>1. <b>Press F3 to review the log file</b></li> <li>2. Re-start the test to reset the log file</li> </ol>
071-197-XXX Audio port test warning	<ol style="list-style-type: none"> <li>1. <b>Make sure the component that is called out is connected and/or enabled. See Chapter 6 "Using the Setup Utility" on page 39</b></li> <li>2. Re-run test</li> <li>3. Replace the component that is called out in warning statement</li> <li>4. Replace the component under test</li> </ol>
071-198-XXX Audio port test aborted	<ol style="list-style-type: none"> <li>1. <b>If a component is called out, make sure it is connected and/or enabled. See Chapter 6 "Using the Setup Utility" on page 39</b></li> <li>2. Flash the system and re-test. See "Flash update procedures" on page 467</li> <li>3. Go to "Undetermined problems" on page 65</li> </ol>
071-199-XXX Audio port test failed, cause unknown	<ol style="list-style-type: none"> <li>1. See "Undetermined problems" on page 65</li> <li>2. Flash the system and re-test. See "Flash update procedures" on page 467</li> <li>3. Replace component under function test</li> </ol>
071-25X-XXX Audio port failure	<ol style="list-style-type: none"> <li>1. <b>Speakers</b></li> <li>2. Audio card, if installed</li> <li>3. System board</li> </ol>
080-000-XXX Game Port interface Test Passed	<b>No action</b>
080-XXX-XXX Game Port interface Error	<ol style="list-style-type: none"> <li>1. <b>Remove the game port device and re-test the system</b></li> </ol>
080-195-XXX Game Port interface Test aborted by user	<b>Information only</b> Re-start the test, if necessary
080-196-XXX Game Port interface test halt, error threshold exceeded	<ol style="list-style-type: none"> <li>1. <b>Press F3 to review the log file</b></li> <li>2. Re-start the test to reset the log file</li> </ol>

Diagnostic Error Code	FRU/Action
080-197-XXX Game Port interface test warning	<ol style="list-style-type: none"> <li>1. <b>Make sure the component that is called out is connected and/or enabled. See Chapter 6 "Using the Setup Utility" on page 39</b></li> <li>2. Re-run test</li> <li>3. Replace the component that is called out in warning statement</li> <li>4. Replace the component under test</li> </ol>
080-198-XXX Game Port interface test aborted	<ol style="list-style-type: none"> <li>1. <b>If a component is called out, make sure it is connected and/or enabled. See Chapter 6 "Using the Setup Utility" on page 39</b></li> <li>2. Flash the system and re-test. See "Flash update procedures" on page 467</li> <li>3. Go to "Undetermined problems" on page 65</li> </ol>
080-199-XXX Game Port interface test failed, cause unknown	<ol style="list-style-type: none"> <li>1. See "Undetermined problems" on page 65</li> <li>2. Flash the system and re-test. See "Flash update procedures" on page 467</li> <li>3. Replace component under function test</li> </ol>
086-000-XXX Mouse Port interface Test Passed	<b>No action</b>
086-001-XXX Mouse Port interface Presence	<ol style="list-style-type: none"> <li>1. <b>Mouse</b></li> <li>2. System board</li> </ol>
086-032-XXX Mouse Port interface Device controller failure	<ol style="list-style-type: none"> <li>1. <b>Mouse</b></li> <li>2. System board</li> </ol>
086-035-XXX Mouse Port interface Reset	<ol style="list-style-type: none"> <li>1. <b>Mouse</b></li> <li>2. System board</li> </ol>
086-040-XXX Mouse Port interface IRQ failure	<ol style="list-style-type: none"> <li>1. <b>Run Setup</b></li> <li>2. Mouse</li> <li>3. System board</li> </ol>
086-195-XXX Mouse Port interface Test aborted by user	<b>Information only</b> Re-start the test, if necessary
086-196-XXX Mouse Port interface test halt, error threshold exceeded	<ol style="list-style-type: none"> <li>1. <b>Press F3 to review the log file</b></li> <li>2. Re-start the test to reset the log file</li> </ol>
086-197-XXX Mouse Port interface test warning	<ol style="list-style-type: none"> <li>1. <b>Make sure the component that is called out is connected and/or enabled. See Chapter 6 "Using the Setup Utility" on page 39</b></li> <li>2. Re-run test</li> <li>3. Replace the component that is called out in warning statement</li> <li>4. Replace the component under test</li> </ol>
086-198-XXX Mouse Port interface test aborted	<ol style="list-style-type: none"> <li>1. <b>If a component is called out, make sure it is connected and/or enabled. See Chapter 6 "Using the Setup Utility" on page 39</b></li> <li>2. Flash the system and re-test. See "Flash update procedures" on page 467</li> <li>3. Go to "Undetermined problems" on page 65</li> </ol>

<b>Diagnostic Error Code</b>	<b>FRU/Action</b>
<b>086-199-XXX</b> Mouse Port interface test failed, cause unknown	<ol style="list-style-type: none"> <li>1. See "Undetermined problems" on page 65</li> <li>2. Flash the system and re-test. See "Flash update procedures" on page 467</li> <li>3. Replace component under function test</li> </ol>
<b>089-000-XXX</b> Microprocessor Test Passed	<b>No action</b>
<b>089-XXX-XXX</b> Microprocessor failure	<ol style="list-style-type: none"> <li>1. <b>Microprocessor(s)</b></li> <li>2. System board</li> </ol>
<b>089-195-XXX</b> Microprocessor Test aborted by user	<b>Information only</b> Re-start the test, if necessary
<b>089-196-XXX</b> Microprocessor test halt, error threshold exceeded	<ol style="list-style-type: none"> <li>1. <b>Press F3 to review the log file</b></li> <li>2. Re-start the test to reset the log file</li> </ol>
<b>089-197-XXX</b> Microprocessor test warning	<ol style="list-style-type: none"> <li>1. <b>Make sure the component that is called out is connected and/or enabled. See Chapter 6 "Using the Setup Utility" on page 39</b></li> <li>2. Re-run test</li> <li>3. Replace the component that is called out in warning statement</li> <li>4. Replace the component under test</li> </ol>
<b>089-198-XXX</b> Microprocessor test aborted	<ol style="list-style-type: none"> <li>1. <b>Flash the system. See "Flash update procedures" on page 467</b></li> <li>2. Go to "Undetermined problems" on page 65</li> </ol>
<b>089-199-XXX</b> Microprocessor test failed, cause unknown	<ol style="list-style-type: none"> <li>1. See "Undetermined problems" on page 65</li> <li>2. Flash the system and re-test. See "Flash update procedures" on page 467</li> <li>3. Replace component under function test</li> </ol>
<b>170-000-XXX</b> Voltage Sensor(s) Test Passed	<b>No action</b>
<b>170-0XX-XXX</b> Voltage Sensor(s) failure	<ol style="list-style-type: none"> <li>1. <b>Flash system</b></li> <li>2. System board</li> </ol>
<b>170-195-XXX</b> Voltage Sensor(s) Test aborted by user	<b>Information only</b> Re-start the test, if necessary
<b>170-196-XXX</b> Voltage Sensor(s) test halt, error threshold exceeded	<ol style="list-style-type: none"> <li>1. <b>Press F3 to review the log file</b></li> <li>2. Re-start the test to reset the log file</li> </ol>
<b>170-197-XXX</b> Voltage Sensor(s) test warning	<ol style="list-style-type: none"> <li>1. <b>Make sure the component that is called out is connected and/or enabled. See Chapter 6 "Using the Setup Utility" on page 39</b></li> <li>2. Re-run test</li> <li>3. Replace the component that is called out in warning statement</li> <li>4. Replace the component under test</li> </ol>
<b>170-198-XXX</b> Voltage Sensor(s) test aborted	<ol style="list-style-type: none"> <li>1. <b>If a component is called out, make sure it is connected and/or enabled. See Chapter 6 "Using the Setup Utility" on page 39</b></li> <li>2. Flash the system and re-test. See "Flash update procedures" on page 467</li> <li>3. Go to "Undetermined problems" on page 65</li> </ol>



Diagnostic Error Code	FRU/Action
<b>170-199-XXX</b> Voltage Sensor(s) test failed, cause unknown	<ol style="list-style-type: none"> <li>1. <b>See "Undetermined problems" on page 65</b></li> <li>2. Flash the system and re-test. See "Flash update procedures" on page 467</li> <li>3. Replace component under function test</li> </ol>
<b>170-250-XXX 170-251-XXX</b> Voltage Sensor(s) Voltage limit error	<ol style="list-style-type: none"> <li>1. <b>Power supply</b></li> <li>2. System board</li> </ol>
<b>170-254-XXX</b> Voltage Sensor(s) Voltage Regulator Module error	<ol style="list-style-type: none"> <li>1. <b>Voltage Regulator Module (VRM)</b></li> <li>2. Microprocessor</li> <li>3. System board</li> </ol>
<b>175-000-XXX</b> Thermal Sensor(s) Test Passed	<b>No action</b>
<b>175-0XX-XXX</b> Thermal Sensor(s) failure	<ol style="list-style-type: none"> <li>1. <b>Flash system</b></li> <li>2. System board</li> </ol>
<b>175-195-XXX</b> Thermal Sensor(s) Test aborted by user	<b>Information only</b> Re-start the test, if necessary
<b>175-196-XXX</b> Thermal Sensor(s) test halt, error threshold exceeded	<ol style="list-style-type: none"> <li>1. <b>Press F3 to review the log file</b></li> <li>2. Re-start the test to reset the log file</li> </ol>
<b>175-197-XXX</b> Thermal Sensor(s) test warning	<ol style="list-style-type: none"> <li>1. <b>Make sure the component that is called out is connected and/or enabled. See Chapter 6 "Using the Setup Utility" on page 39</b></li> <li>2. Re-run test</li> <li>3. Replace the component that is called out in warning statement</li> <li>4. Replace the component under test</li> </ol>
<b>175-198-XXX</b> Thermal Sensor(s) test aborted	<ol style="list-style-type: none"> <li>1. <b>If a component is called out, make sure it is connected and/or enabled</b></li> <li>2. Flash the system and re-test. See "Flash update procedures" on page 467</li> <li>3. Go to "Undetermined problems" on page 65</li> </ol>
<b>175-199-XXX</b> Thermal Sensor(s) test failed, cause unknown	<ol style="list-style-type: none"> <li>1. <b>See "Undetermined problems" on page 65</b></li> <li>2. Flash the system and re-test. See "Flash update procedures" on page 467</li> <li>3. Replace component under function test</li> </ol>
<b>175-250-XXX 175-251-XXX</b> Thermal Sensor(s) limit error	<ol style="list-style-type: none"> <li>1. <b>Check fans</b></li> <li>2. Check Power supply voltages</li> <li>3. Microprocessor</li> <li>4. System board</li> </ol>
<b>185-000-XXX</b> Asset Security Test Passed	<b>No action</b>
<b>185-XXX-XXX</b> Asset Security failure	<ol style="list-style-type: none"> <li>1. <b>Flash system</b></li> <li>2. System board</li> </ol>
<b>185-278-XXX</b> Asset Security Chassis Intrusion	<ol style="list-style-type: none"> <li>1. <b>Assure Asset Security Enabled</b></li> <li>2. C2 Cover Switch</li> <li>3. System board</li> </ol>
<b>201-000-XXX</b> System Memory Test Passed	<b>No action</b>

<b>Diagnostic Error Code</b>	<b>FRU/Action</b>
<b>201-XXX-XXX</b> System Memory error	<ol style="list-style-type: none"> <li>1. <b>Replace the memory module called out by the test</b></li> <li>2. System board</li> </ol>
<b>202-000-XXX</b> System Cache Test Passed	<b>No action</b>
<b>202-XXX-XXX</b> System Cache error	<ol style="list-style-type: none"> <li>1. <b>Cache, if removable</b></li> <li>2. System board</li> <li>3. Microprocessor</li> </ol>
<b>206-000-XXX</b> Diskette Drive Test Passed	<b>No action</b>
<b>206-XXX-XXX</b> Diskette Drive error	<ol style="list-style-type: none"> <li>1. <b>Diskette Drive Cable</b></li> <li>2. Check power supply voltages</li> <li>3. Diskette drive</li> <li>4. System board</li> </ol>
<b>215-000-XXX</b> CD-ROM Drive Test Passed	<b>No action</b>
<b>215-XXX-XXX</b> CD-ROM Drive error	<ol style="list-style-type: none"> <li>1. <b>CD-ROM Drive Cable</b></li> <li>2. Check power supply voltages</li> <li>3. CD-ROM drive</li> <li>4. System board</li> </ol>
<b>217-000-XXX</b> Hard Disk Drive Test Passed	<b>No action</b>
<b>217-25X-XXX 217-26X-XXX</b> Hard Disk Drive (IDE) error	<ol style="list-style-type: none"> <li>1. <b>Hard Disk Drive Cable</b></li> <li>2. Check power supply voltages</li> <li>3. Reseat the hard disk drive cable</li> <li>4. Hard Disk drive (IDE)</li> <li>5. System board</li> </ol>
<b>217-28X-XXX 217-29X-XXX</b> Hard Disk Drive (SCSI) error	<ol style="list-style-type: none"> <li>1. <b>Hard Disk Drive Cable</b></li> <li>2. Check power supply voltages</li> <li>3. Reseat the hard disk drive cable</li> <li>4. Hard Disk drive (SCSI)</li> <li>5. SCSI adapter card</li> <li>6. System board</li> </ol>
<b>220-000-XXX</b> Hi-Capacity Cartridge Drive Test Passed	<b>No action</b>
<b>220-XXX-XXX</b> Hi-Capacity Cartridge Drive error	<ol style="list-style-type: none"> <li>1. <b>Remove the Hi-Capacity Cartridge Drive and re-test the system</b></li> </ol>
<b>301-XXX-XXX</b> Keyboard error	<ol style="list-style-type: none"> <li>1. <b>Keyboard</b></li> <li>2. Check and test mouse</li> <li>3. System board</li> </ol>
<b>301-000-XXX</b> Keyboard Test Passed	<b>No action</b>
<b>302-000-XXX</b> Mouse Test Passed	<b>No action</b>
<b>302-XXX-XXX</b> Mouse error	<ol style="list-style-type: none"> <li>1. <b>Mouse</b></li> <li>2. Check and test Keyboard</li> <li>3. System board</li> </ol>
<b>303-000-XXX</b> Joystick Test Passed	<b>No action</b>
<b>303-XXX-XXX</b> Joystick error	<b>Remove the Joystick and re-test the system</b>

Diagnostic Error Code	FRU/Action
305-000-XXX Monitor DDC Test Passed	No action
305-250-XXX Monitor DDC self test failure	<ol style="list-style-type: none"> <li>1. Run Setup to enable DDC</li> <li>2. Cable</li> <li>3. Monitor</li> <li>4. Video card</li> <li>5. System board</li> </ol>
415-000-XXX Modem Test Passed	No action
415-XXX-XXX Modem error	Remove the Modem and re-test the system

## Beep symptoms

Beep symptoms are tones or a series of tones separated by pauses (intervals without sound) during POST.

The following tables describes beep symptoms.

Beep Symptom	FRU/Action
2 short beeps CMOS setting error	Perform the following actions in order. <ol style="list-style-type: none"> <li>1. Start the Setup Utility program and press F10 to Save and exit. See Chapter 6 "Using the Setup Utility" on page 39.</li> <li>2. Start the Setup Utility program and press F7 to load defaults and then press F10 to Save and exit.</li> <li>3. Perform a Boot block recovery. See "Recovering from a POST/BIOS update failure" on page 468.</li> </ol>
1 long and 2 short beeps Monitor or video adapter card error	Perform the following actions in order. <ol style="list-style-type: none"> <li>1. Make sure the monitor is properly connected to the computer.</li> <li>2. Replace the video adapter card (if present).</li> <li>3. Replace the system board.</li> </ol>
1 long and 3 short beeps Keyboard error	Perform the following actions in order. <ol style="list-style-type: none"> <li>1. Make sure the keyboard is properly connected to the keyboard connector.</li> <li>2. Replace the keyboard.</li> <li>3. Replace the system board.</li> </ol>
1 long and 9 short beeps BIOS ROM error	Perform the following actions in order. <ol style="list-style-type: none"> <li>1. Start the Setup Utility program and press F7 to load defaults and then press F10 to Save and exit. See Chapter 6 "Using the Setup Utility" on page 39.</li> <li>2. Perform a Boot block recovery. See "Recovering from a POST/BIOS update failure" on page 468.</li> <li>3. Replace the system board.</li> </ol>
One long beep loop DRAM memory error	Perform the following actions in order. <ol style="list-style-type: none"> <li>1. Make sure the memory module(s) are properly seated in the connector(s).</li> <li>2. Replace the memory module(s).</li> <li>3. Replace the system board.</li> </ol>

---

## POST error codes

Each time you power-on the system, it performs a series of tests that check the operation of the system and some options. This series of tests is called the *Power-On Self-Test*, or *POST*. POST does the following operations.

- Checks some basic system-board operations
- Checks the memory operation
- Starts the video operation
- Verifies that the boot drive is working

If the POST detects a problem, an error message appears on the screen. A single problem can cause several error messages to appear. When you correct the cause of the first error message, the other error messages probably will not appear on the screen the next time you turn on the system.

POST Error Message	Description/Action
CMOS battery failed	The CMOS battery is no longer functional.  Replace the battery.
CMOS checksum error - defaults loaded	Checksum of CMOS is incorrect.  The computer loads the default configuration settings. This error might indicate that CMOS has become corrupt due to a weak CMOS battery.
CPU at nnnn	nnnn is the running speed of the microprocessor.
Press Esc to skip memory test	Pressing Esc skips the full memory test
HARD DISK INSTALL FAILURE	Cannot find or initialize the hard disk drive controller or the drive.  Make sure the hard disk drive is correctly installed.  If no hard disk drives are installed, make sure the hard disk drive selection in Setup is set to NONE.
Keyboard error or no keyboard present	Cannot initialize the keyboard.  Make sure the keyboard is properly connected to the computer and that no keys are held pressed during POST.  To purposely configure the computer without a keyboard, set the error halt condition in Setup to HALT ON ALL, BUT KEYBOARD. The BIOS then ignores the missing keyboard during POST.
Memory Test:	This message displays during a full memory test, counting down the memory areas being tested.
Memory test fail	If POST detects an error during memory testing, additional information appears. This information gives specifics about the type and location of the memory error.

POST Error Message	Description/Action
Press TAB to show POST screen	Pressing the TAB key permits the user to toggle between the default POST display screen and a custom POST display screen.
Error: Non-System disk or disk error Replace and press any key when ready	The BIOS was unable to find a suitable boot device.  Make sure the boot drive is properly connected to the computer.  Make sure you have bootable media.

## Miscellaneous error messages

Message/Symptom	FRU/Action
Changing display colors	<b>Display/Monitor</b>
Computer will <i>not</i> power-off. See "Hard disk drive boot error" on page 43.	<ol style="list-style-type: none"> <li><b>Power Switch</b></li> <li>System Board</li> <li>Riser card, if installed</li> </ol>
Computer will <i>not</i> RPL from server	<ol style="list-style-type: none"> <li><b>Ensure that network is in startup sequence as first device or first device after diskette</b></li> <li>Ensure that network adapter is enabled for RPL</li> <li>Network adapter (Advise network administrator of new MAC address)</li> </ol>
Computer will <i>not</i> perform a Wake On LAN® (if applicable)	<ol style="list-style-type: none"> <li><b>Check power supply and signal cable connections to network adapter</b></li> <li>Ensure that the operating system settings are set to enable Wake on LAN®</li> <li>Ensure Wake On LAN feature is enabled in Setup/Configuration (see "Starting the Setup Utility program" on page 39)</li> <li>Ensure network administrator is using correct MAC address</li> <li>Ensure no interrupt or I/O address conflicts</li> <li>Network adapter (advise network administrator of new MAC address)</li> </ol>
Dead computer. See "Hard disk drive boot error" on page 43.	<ol style="list-style-type: none"> <li><b>Power Supply</b></li> <li>System Board</li> </ol>
Diskette drive in-use light remains on or does not light when drive is active.	<ol style="list-style-type: none"> <li><b>Diskette Drive</b></li> <li>System Board</li> <li>Diskette Drive Cable</li> </ol>
Flashing cursor with an otherwise blank display.	<ol style="list-style-type: none"> <li><b>System Board</b></li> <li>Primary Hard Disk Drive</li> <li>Hard Disk Drive Cable</li> </ol>
Incorrect memory size during POST	<ol style="list-style-type: none"> <li><b>Run the Memory tests</b></li> <li>Memory Module</li> <li>System Board</li> </ol>

Message/Symptom	FRU/Action
"Insert a Diskette" icon appears with a known-good diagnostics diskette in the first 3.5-inch diskette drive.	<ol style="list-style-type: none"> <li>1. <b>System Board</b></li> <li>2. Diskette Drive Cable</li> <li>3. Network Adapter</li> </ol>
Intensity or color varies from left to right of characters and color bars	<ol style="list-style-type: none"> <li>1. <b>Display</b></li> <li>2. Video adapter (if present)</li> <li>3. System Board</li> </ol>
No power or fan not running	1. <b>See "Hard disk drive boot error" on page 43.</b>
Non-system disk or disk error-type message with a known-good diagnostic diskette.	<ol style="list-style-type: none"> <li>1. <b>Diskette Drive</b></li> <li>2. System Board</li> <li>3. Diskette Drive Cable</li> </ol>
Other display symptoms not listed above (including blank or illegible display)	<ol style="list-style-type: none"> <li>1. <b>Display</b></li> <li>2. System Board</li> </ol>
Power-on indicator or hard disk drive in-use light not on, but computer works correctly	<ol style="list-style-type: none"> <li>1. Power switch/LED assembly</li> <li>2. System Board</li> </ol>
Printer problems	<ol style="list-style-type: none"> <li>1. <b>Printer</b></li> <li>2. System Board</li> </ol>
Program loads from the hard disk with a known-good diagnostics diskette in the first 3.5-inch diskette drive	<ol style="list-style-type: none"> <li>1. <b>Run Setup</b> and check Startup sequence.</li> <li>2. Diskette Drive</li> <li>3. Diskette Drive Cable</li> <li>4. System Board</li> <li>5. Power Supply</li> </ol>
RPL computer cannot access programs from its own hard disk.	<ol style="list-style-type: none"> <li>1. <b>If network administrator is using LCCM Hybrid RPL, check startup sequence:</b> <ol style="list-style-type: none"> <li>a. <b>First device - network</b></li> <li>b. <b>Second device - hard disk</b></li> </ol> </li> <li>2. Hard disk drive</li> </ol>
RPL computer does not RPL from server	<ol style="list-style-type: none"> <li>1. <b>Check startup sequence</b></li> <li>2. Check the network adapter LED status</li> </ol>
Serial or parallel port device failure (system board port)	<ol style="list-style-type: none"> <li>1. <b>External Device Self-Test OK?</b></li> <li>2. External Device</li> <li>3. Cable</li> <li>4. System Board</li> </ol>
Serial or parallel port device failure (adapter port)	<ol style="list-style-type: none"> <li>1. <b>External Device Self-Test OK?</b></li> <li>2. External Device</li> <li>3. Cable</li> <li>4. Alternate Adapter</li> <li>5. System Board</li> </ol>
Some or all keys on the keyboard do not work	<ol style="list-style-type: none"> <li>1. <b>Keyboard</b></li> <li>2. Keyboard Cable</li> <li>3. System Board</li> </ol>

---

## Undetermined problems

If this computer has a parallel ATA hard disk drive, make sure that the hard disk drive is jumpered as a master and the optical drive is jumpered as a slave.

1. Power-off the computer.
2. Remove or disconnect the following components (if installed) one at a time.
  - a. External devices (modem, printer, or mouse)
  - b. Any adapters
  - c. Memory modules
  - d. Extended video memory
  - e. External Cache
  - f. External Cache RAM
  - g. Hard disk drive
  - h. Diskette drive
3. Power-on the computer to re-test the system.
4. Repeat steps 1 through 3 until you find the failing device or adapter.

If all devices and adapters have been removed, and the problem continues, replace the system board.





---

## Chapter 8. Replacing FRUs (Types 7061, 7090, 9353, 9421, 9485, 9623, 9625, 9705, 9786, 9795, 9935, 9946, 9953)

### Important

Before you replace any FRU, read Chapter 2 "Safety information" on page 3. These precautions and guidelines will help you work safely.

FRU replacements are to be done by trained service technicians only.

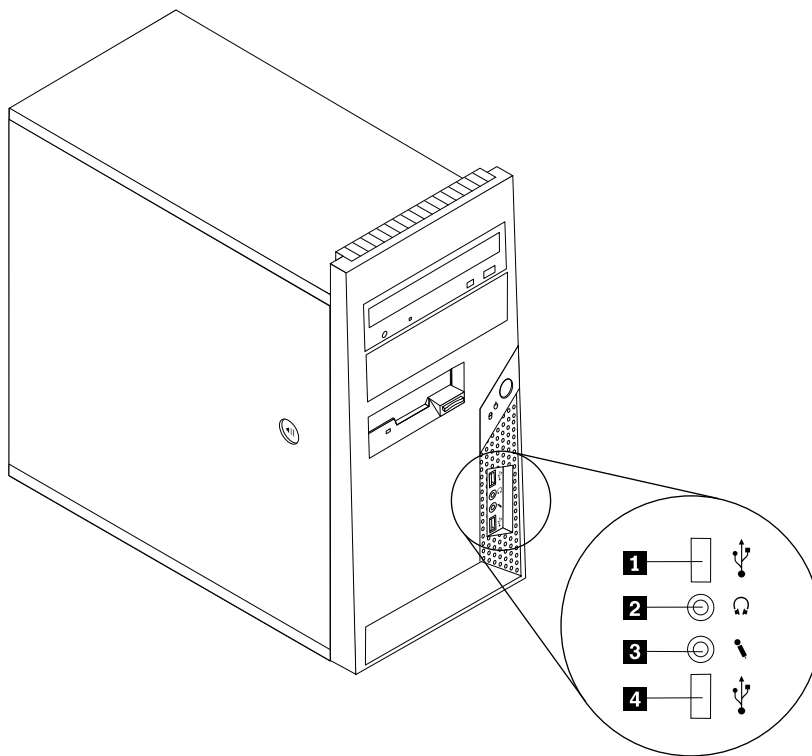
This chapter does not contain a remove and replace procedure for all FRUs. Only the major FRUs are documented.

---

### Locating controls and connectors on the front of your computer

The following illustration shows the location of the controls and connectors on the front of your computer.

**Note:** Not all computer models will have the following controls and connections.



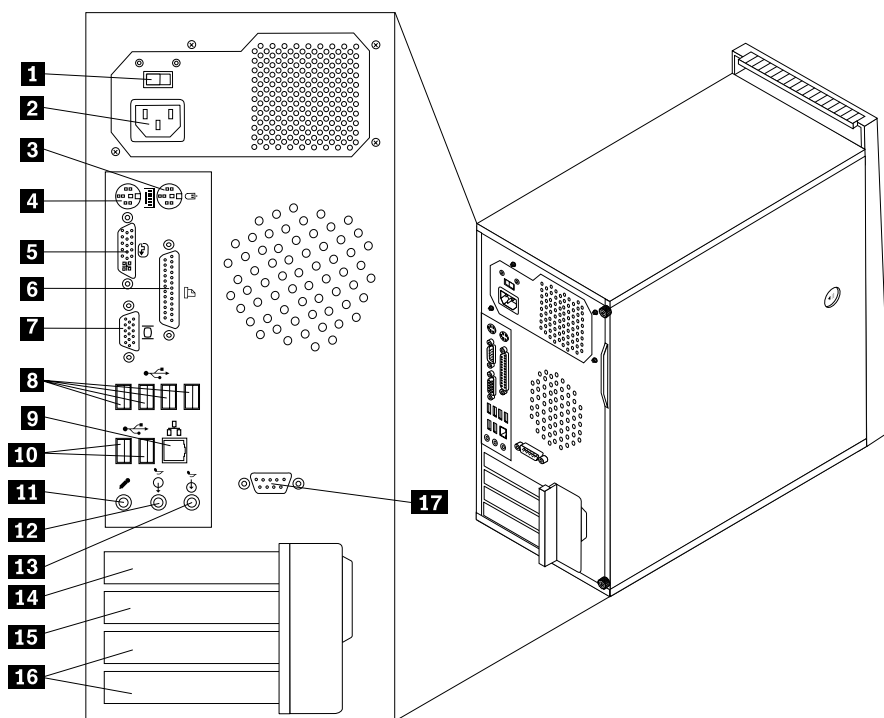
- 1** USB connector
- 2** Headphone connector

- 3** Microphone connector
- 4** USB connector

---

### Rear connectors

The following illustration shows the locations of the connectors on the rear of the computer.



- |          |   |           |  |
|----------|---|-----------|--|
| <b>1</b> | Voltage selection switch (some models)          | <b>10</b> | USB connectors (2)                         |
| <b>2</b> | Power cord connector                            | <b>11</b> | Microphone connector                       |
| <b>3</b> | Standard mouse connector                        | <b>12</b> | Audio line-out connector                   |
| <b>4</b> | Standard keyboard connector                     | <b>13</b> | Audio line-in connector                    |
| <b>5</b> | Digital video interface (DVI) monitor connector | <b>14</b> | PCI Express x1 adapter connector           |
| <b>6</b> | Parallel connector                              | <b>15</b> | PCI Express x16 graphics adapter connector |
| <b>7</b> | Video graphics array (VGA) monitor connector    | <b>16</b> | PCI adapter connectors (2)                 |
| <b>8</b> | USB connectors (4)                              | <b>17</b> | Serial connector (some models)             |
| <b>9</b> | Ethernet connector                              |           |  |

## Removing the cover

### CAUTION:



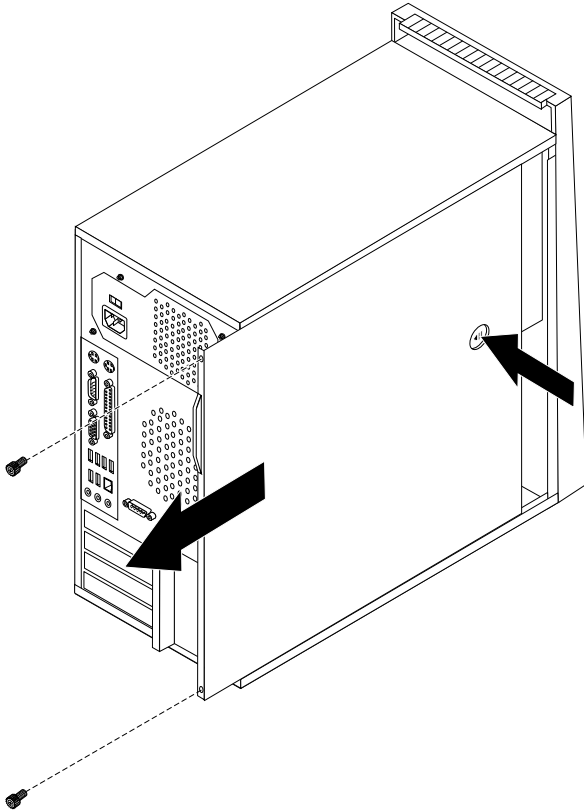
The heat sink and microprocessor might be very hot. Turn off the computer and wait three to five minutes to let the computer cool before opening the computer cover.

This section provides instructions on how to remove the cover.

To remove the cover, do the following:

1. Shut down the operating system, remove any media (DVDs, CDs, or tapes) from the drives, and turn off all attached devices.
2. Unplug all power cords from electrical outlets.

3. Disconnect all cables attached to the computer. This includes power cords, input/output (I/O) cables, and any other cables that are connected to the computer.
4. If there are thumb screws securing the cover, remove them.
5. Press the button on the left-side cover and slide the cover to the rear to remove.

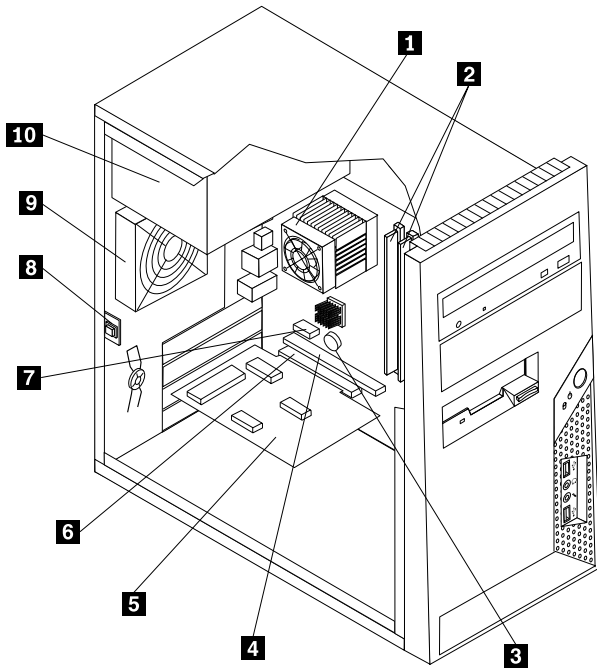


---

## Locations

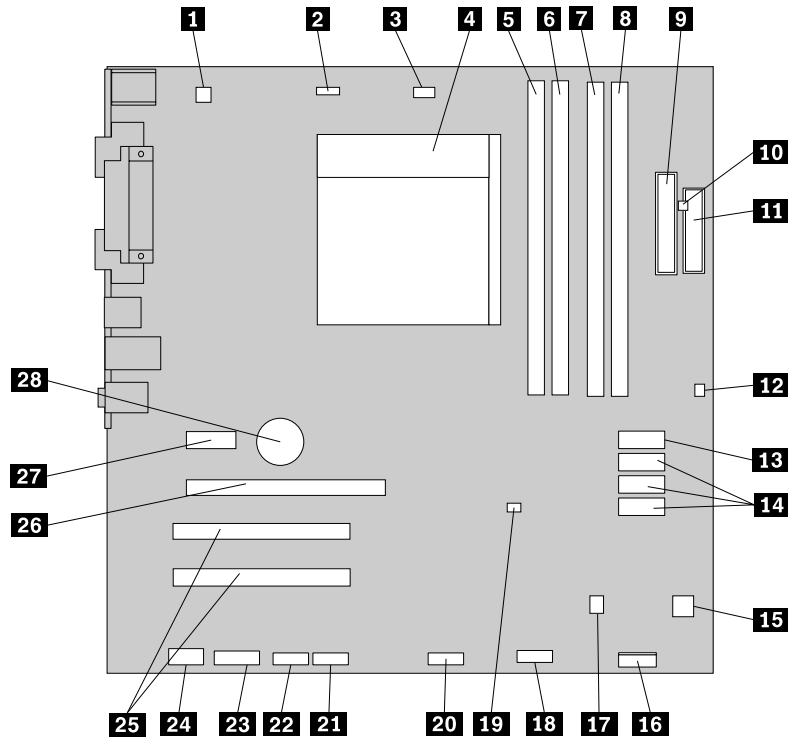
To remove the computer cover, see "Removing the cover" on page 68.

The following illustration will help you locate the major FRUs in the computer.



- |          |  |          |                                   |
|----------|--|----------|-----------------------------------|
| <b>1</b> | Microprocessor fan and heat sink           | <b>6</b> | PCI adapter connector             |
| <b>2</b> | Memory modules                             | <b>7</b> | PCI Express x1 adapter connector  |
| <b>3</b> | Battery                                    | <b>8</b> | Cover presence (Intrusion) switch |
| <b>4</b> | PCI Express x16 graphics adapter connector | <b>9</b> | Rear fan assembly                 |

## Locating parts on the system board



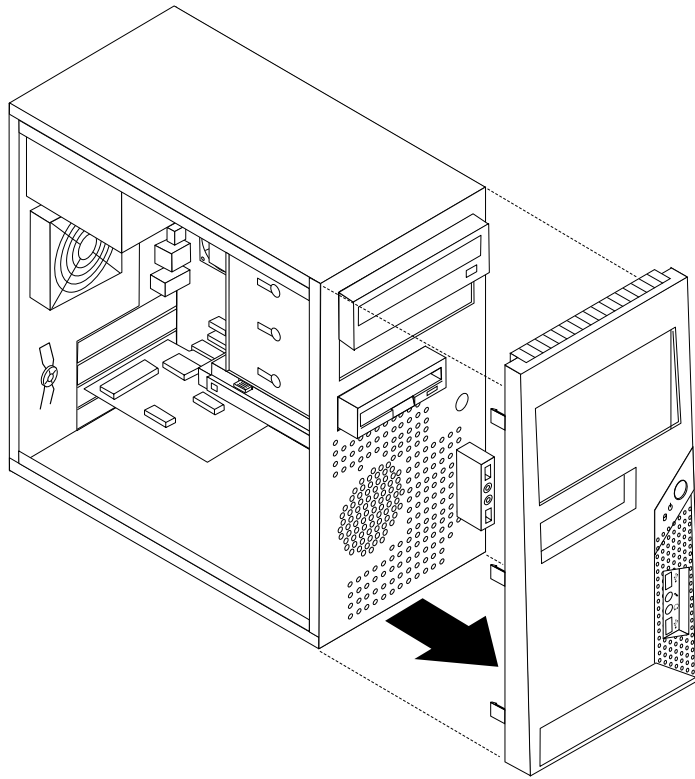
- |           |   |           |  |
|-----------|---|-----------|--|
| <b>1</b>  | 4-pin power connector                       | <b>15</b> | Power fan connector                        |
| <b>2</b>  | System fan connector                        | <b>16</b> | Front panel connector                      |
| <b>3</b>  | Microprocessor fan connector                | <b>17</b> | Internal speaker connector                 |
| <b>4</b>  | Microprocessor and heat sink                | <b>18</b> | Front USB connector 2                      |
| <b>5</b>  | Memory connector 1                          | <b>19</b> | Clear CMOS/Recovery jumper                 |
| <b>6</b>  | Memory connector 2                          | <b>20</b> | Front USB connector 1                      |
| <b>7</b>  | Memory connector 3                          | <b>21</b> | Serial (COM2) connector                    |
| <b>8</b>  | Memory connector 4                          | <b>22</b> | Serial (COM1) connector                    |
| <b>9</b>  | 24-pin power connector                      | <b>23</b> | CD-IN connector                            |
| <b>10</b> | Thermal sensor connector                    | <b>24</b> | Front audio connector                      |
| <b>11</b> | Diskette drive connector                    | <b>25</b> | PCI adapter connectors (2)                 |
| <b>12</b> | Cover presence (Intrusion) switch connector | <b>26</b> | PCI Express x16 graphics adapter connector |
| <b>13</b> | SATA connector                              | <b>27</b> | PCI Express x1 adapter connector           |
| <b>14</b> | SATA connectors (3)                         | <b>28</b> | Battery                                    |

## Removing and replacing the front bezel

This section provides information on how to remove and replace the front bezel.

To install or replace the front bezel:

1. Remove the computer cover. See "Removing the cover" on page 68.
2. Remove the front bezel by releasing the three plastic tabs inside the chassis and pivoting the bezel outward. Carefully set the bezel to the side without disconnecting the power switch/LED assembly cable.



3. To reinstall the bezel, align the plastic tabs on the right side of the bezel with the corresponding holes in the chassis, then pivot it inward until it snaps into position on the left side.

---

## Replacing the power supply

### Attention

Never remove the cover on a power supply or any part that has the following label attached.



Hazardous voltage, current, and energy levels are present inside any component that has this label attached. There are no serviceable parts inside these components.

### Attention

Do not open your computer or attempt any repair before reading and understanding the "Important safety information" in the *ThinkCentre Safety and Warranty Guide* that came with your computer. To obtain a copy of the *ThinkCentre Safety and Warranty Guide*, go to: <http://www.lenovo.com/support>

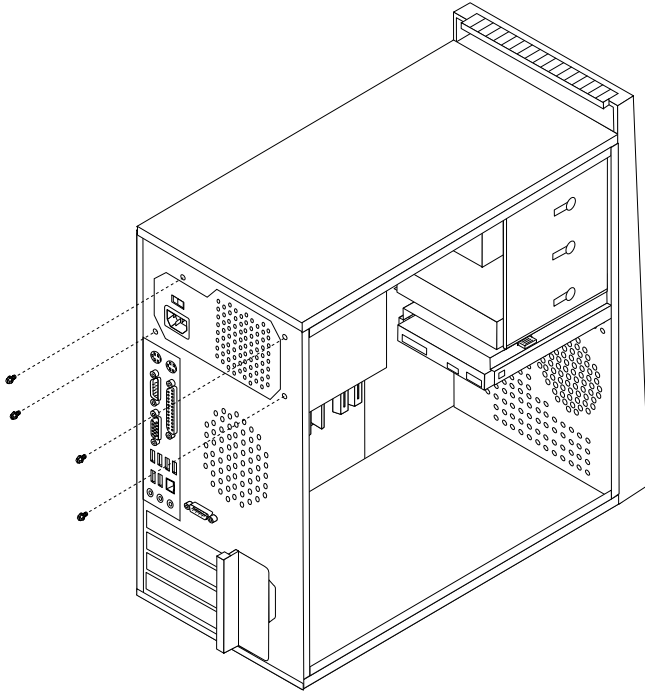
This section provides information on how to remove and replace the power supply.

To remove or replace the power supply, do the following:

1. Remove the computer cover. See "Removing the cover" on page 68.

**Note:** For this procedure, it helps to lay the computer on its side.

2. Disconnect the power supply cables from the system board and from all drives.
3. Remove the four screws that secure the power supply at the rear of the chassis.



4. Lift the power supply out of the chassis.
5. If the power supply has a voltage-selection switch, ensure that it is set to match the voltage available at the electrical outlet.
  - If the voltage supply range in your local country or region is 100-127 V ac, set the switch to 115 V.
  - If the voltage supply range in your local country or region is 200-240 V ac, set the switch to 230 V.
6. Install the new power supply into the chassis so that the screw holes in the power supply align with those in the chassis.
7. Install the four screws to secure the power supply.

**Note:** Use only the screws provided by Lenovo.
8. Reconnect the power supply connectors to the system board. See "Locating parts on the system board" on page 71.
9. Reconnect a power supply connector to each of the drives.
10. Go to "Completing the FRU replacement" on page 91.

---

## Replacing the system board

### CAUTION:



The heat sink and microprocessor might be very hot. Turn off the computer and wait three to five minutes to let the computer cool before opening the computer cover.

## Attention

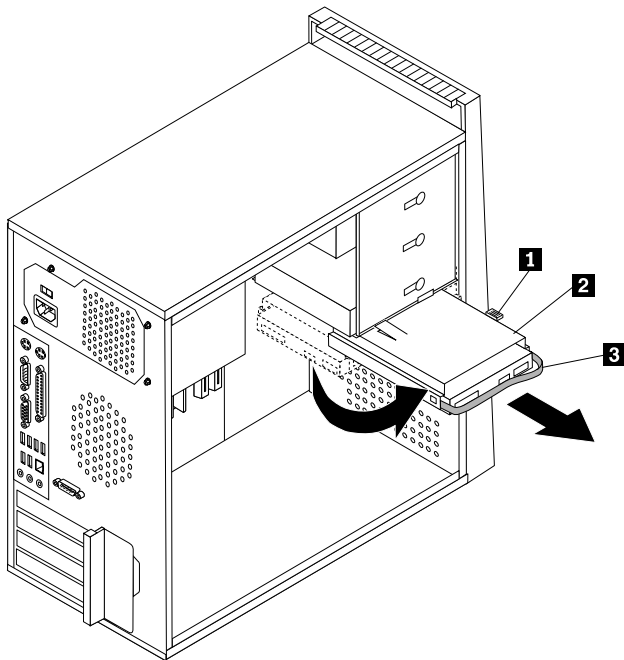
Do not open your computer or attempt any repair before reading and understanding the "Important safety information" in the *ThinkCentre Safety and Warranty Guide* that came with your computer. To obtain a copy of the *ThinkCentre Safety and Warranty Guide*, go to: <http://www.lenovo.com/support>

**Note:** When replacing the system board you must also order a new retention module for the new system board. Make sure you have a retention module for the new system board before continuing with this procedure.

This section provides instructions on how to remove and install the system board.

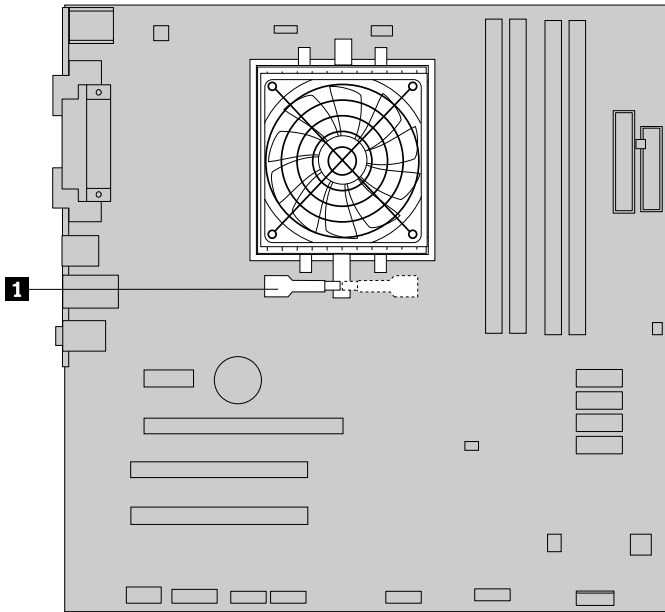
To replace the system board, do the following:

1. Remove the side cover. See "Removing the cover" on page 68.
2. Place the computer on its right side to help make the system board more accessible.
3. Remove any PCI adapter cards installed. "Replacing a PCI adapter card" on page 80
4. Disconnect the signal and power cables from the hard disk drive.
5. Press the release tab **1** down, slide the hard drive cage **2** back, and pivot the hard disk drive outward as shown.

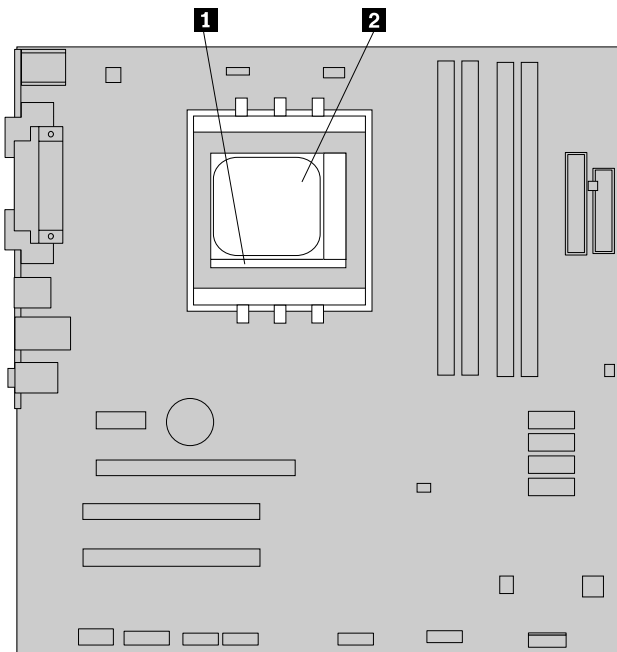


6. Carefully take note of the location of all cable connections on the system board and disconnect all cables. See "Locating parts on the system board" on page 71.
7. Remove the screws that secure the system board to the chassis.
8. Lift the system board out of the chassis.
9. Remove the memory modules from the failing system board and install them in the same location on the new system board.
10. Rotate handle **1** to release the heat sink clamp and then disengage the clamp from the plastic retention bracket.

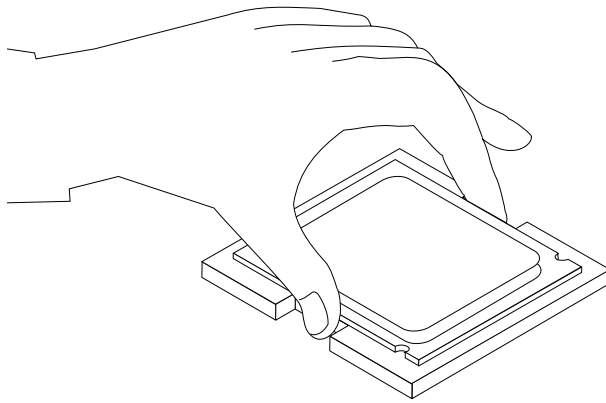




11. Lift the heat sink and fan assembly off the failing system board. Place the heat sink on its side so that the thermal grease does not come in contact with anything.
12. Remove the retention module from the rear of the failing system board and install it in the same position on the new system board.
13. To release the microprocessor **2** from the system board socket, lift the small handle **1**.



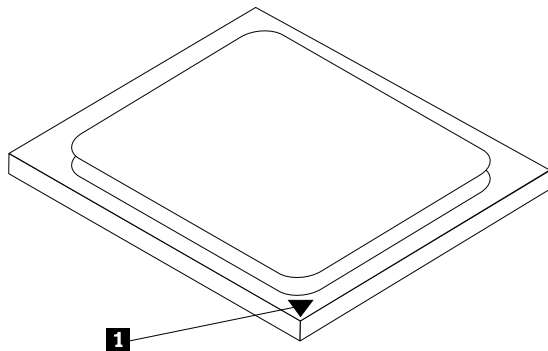
- Important:** Touch only the sides of the microprocessor. Do not touch the gold contacts on the bottom.
14. Lift the microprocessor straight up and out of the socket.



**Notes:**

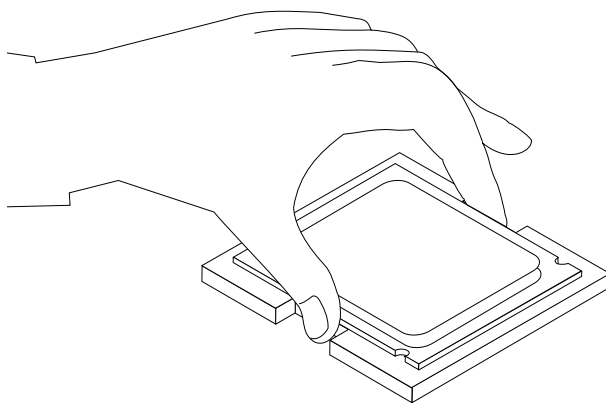
- a. Your microprocessor and socket might look different than the one illustrated.
- b. Note the orientation of the microprocessor in the socket. Look for the small triangle on one corner of the microprocessor. This is important when reinstalling the microprocessor on the new system board.
- c. Do not drop anything onto the microprocessor socket while it is exposed. The socket pins must be kept as clean as possible.

15. Holding the microprocessor with your fingers, position the microprocessor so that the small triangle **1** on one corner is aligned with the corresponding triangle on the socket on the new system board.



16. Make sure that the small handle is in the raised position.

17. Lower the microprocessor straight down into the system board socket of the new system board.



18. Lower the small handle to secure the microprocessor in the socket.

19. Position the heat sink on the microprocessor socket and then position the clamp on the plastic retention bracket. Pivot the handle to clamp the heat sink to the plastic retention bracket.

20. Connect the heat sink and fan assembly cable to the system board. See "Locating parts on the system board" on page 71.
21. Install the new system board into the chassis and align the screw holes with those in the chassis. Insert and tighten the screws that secure the system board.
22. Pivot the hard disk drive back into position.
23. Connect the power and signal cables to the hard disk drive.
24. Connect all remaining cables to the system board. See "Locating parts on the system board" on page 71.
25. Go to "Completing the FRU replacement" on page 91.

---

## Replacing the microprocessor

### Attention

Do not open your computer or attempt any repair before reading and understanding the "Important safety information" in the *ThinkCentre Safety and Warranty Guide* that came with your computer. To obtain a copy of the *ThinkCentre Safety and Warranty Guide*, go to: <http://www.lenovo.com/support>

### CAUTION:

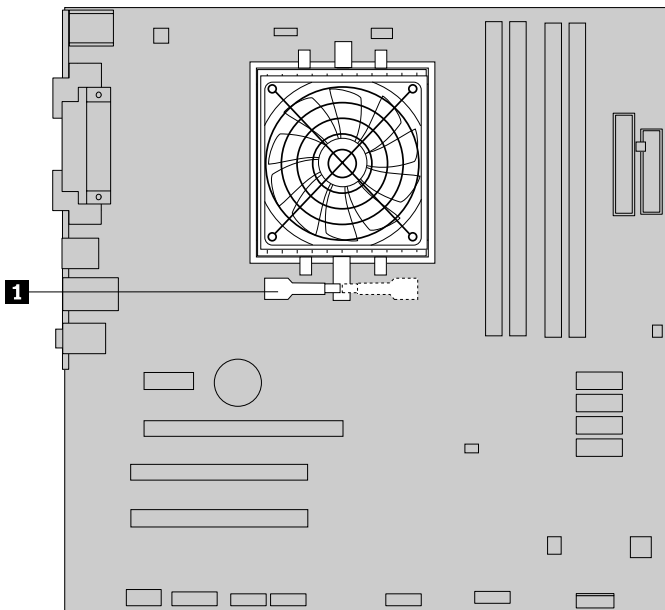


**The heat sink and microprocessor might be very hot. Turn off the computer and wait three to five minutes to let the computer cool before opening the computer cover.**

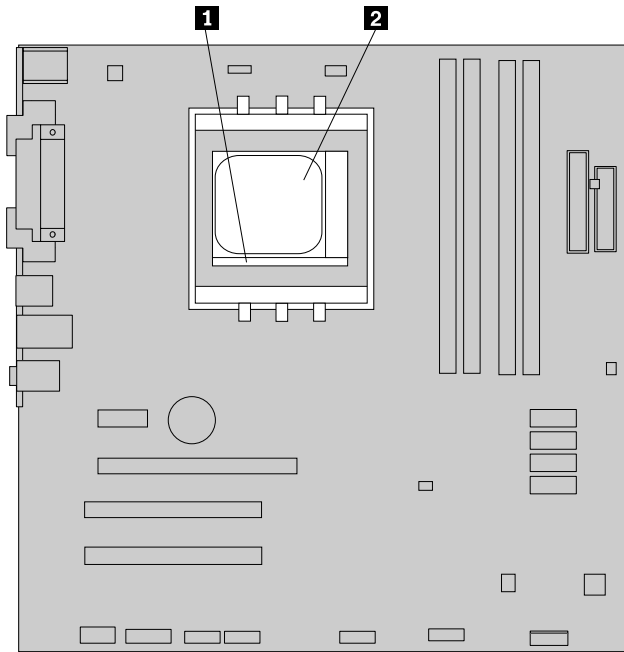
This section provides information on how to remove and replace the microprocessor.

To remove or replace the microprocessor, do the following:

1. Remove the cover. See "Removing the cover" on page 68.
2. Place the computer on its right side to help make the microprocessor more accessible.
3. Disconnect the heat sink and fan assembly cable from the system board. See "Locating parts on the system board" on page 71.
4. Rotate handle **1** to release the heat sink clamp and then disengage the clamp from the plastic retention bracket.

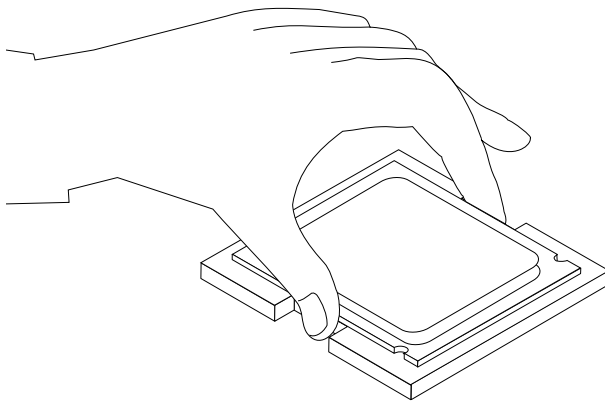


5. Lift the heat sink and fan assembly off the system board. Place the heat sink on its side so that the thermal grease does not come in contact with anything.
6. To release the microprocessor **2** from the system board socket, lift the small handle **1**.

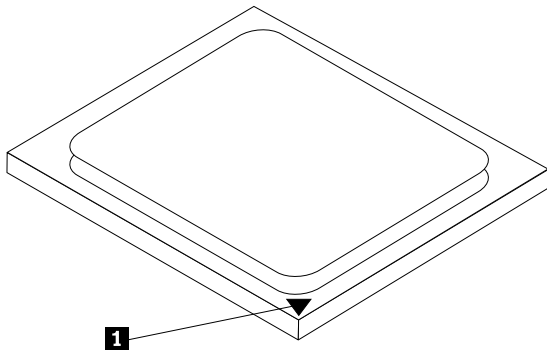


**Important:** Do not touch the gold contacts on the bottom of the microprocessor. If you must touch the microprocessor, touch only the sides.

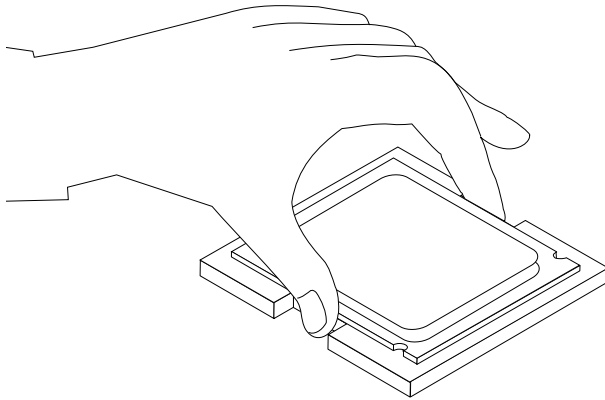
7. Lift the microprocessor straight up and out of the socket.



- a. Your microprocessor and socket might look different than the one illustrated.
  - b. Note the orientation of the microprocessor in the socket. Look for the small triangle on one corner of the microprocessor. This is important when reinstalling the microprocessor on the new system board.
  - c. Do not drop anything onto the microprocessor socket while it is exposed. The socket pins must be kept as clean as possible.
8. Make sure that the small handle is in the raised position.
  9. Holding the microprocessor with your fingers, position the microprocessor so that the small triangle on one corner is aligned with the corresponding triangle on the microprocessor socket.



10. Lower the microprocessor straight down into the system board socket of the new system board.



11. Lower the small handle to secure the microprocessor in the socket.

12. Position the heat sink on the microprocessor socket and then position the clamp on the plastic retention bracket. Pivot the handle to clamp the heat sink to the plastic retention bracket.

13. Install the heat sink and fan assembly on the system board.

14. Connect the heat sink and fan assembly cable to the system board. See "Locating parts on the system board" on page 71.

15. Go to "Completing the FRU replacement" on page 91.

---

## Replacing a memory module

### Attention

Do not open your computer or attempt any repair before reading and understanding the "Important safety information" in the *ThinkCentre Safety and Warranty Guide* that came with your computer. To obtain a copy of the *ThinkCentre Safety and Warranty Guide*, go to: <http://www.lenovo.com/support>

This section provides information on how to remove and replace a memory module.

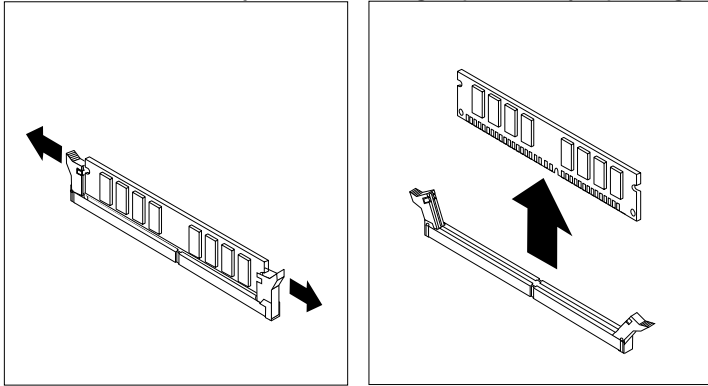
To remove or replace the memory module, do the following:

1. Remove the computer cover. See "Removing the cover" on page 68.

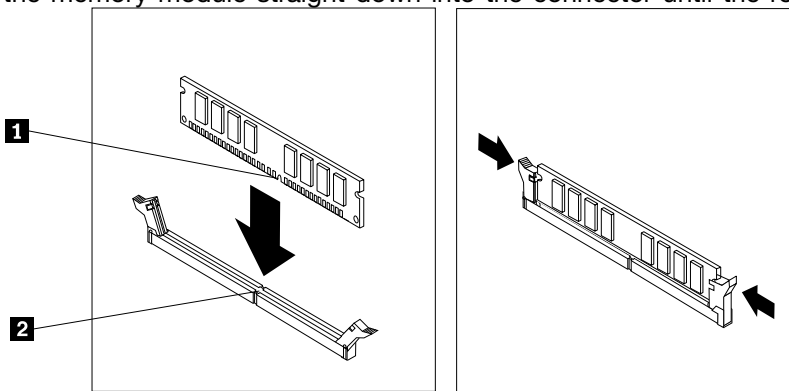
**Note:** For this procedure, it helps to lay the computer on its side.

2. Locate the memory module connectors. See "Locating parts on the system board" on page 71.

3. Remove the memory module being replaced by opening the retaining clips as shown.



4. Position the new memory module over the memory connector. Make sure the notch **1** on the memory aligns correctly with the connector key **2** on the system board. Push the memory module straight down into the connector until the retaining clips close.



5. Go to "Completing the FRU replacement" on page 91.

---

## Replacing a PCI adapter card

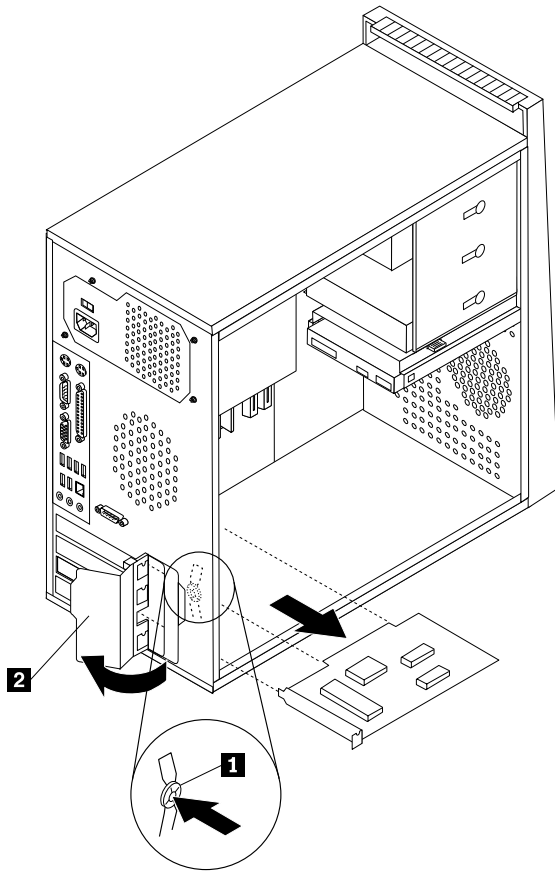
### Attention

Do not open your computer or attempt any repair before reading and understanding the "Important safety information" in the *ThinkCentre Safety and Warranty Guide* that came with your computer. To obtain a copy of the *ThinkCentre Safety and Warranty Guide*, go to: <http://www.lenovo.com/support>

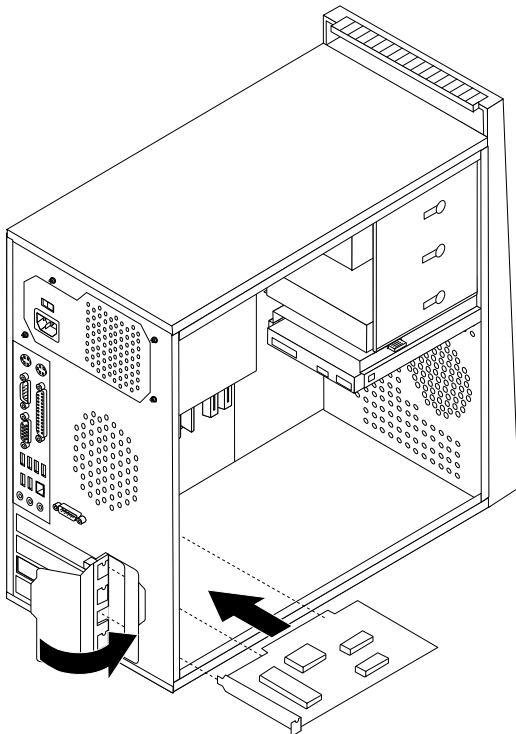
This section provides information on how to remove and replace a PCI adapter card.

To remove or replace a PCI adapter card, do the following:

1. Remove the computer cover. See "Removing the cover" on page 68.
2. At the rear of the computer, press the release button **1** to open the adapter latch **2** and remove the slot cover.



3. Remove the adapter from its static-protective package.
4. Install the new adapter into the same adapter connector.



5. Ensure the adapter is fully seated into the adapter connector.

6. At the rear of the computer, pivot the adapter latch to the closed position to secure the adapter.
7. Go to "Completing the FRU replacement" on page 91.

---

## Replacing the hard disk drive

### Attention

Do not open your computer or attempt any repair before reading and understanding the "Important safety information" in the *ThinkCentre Safety and Warranty Guide* that came with your computer. To obtain a copy of the *ThinkCentre Safety and Warranty Guide*, go to: <http://www.lenovo.com/support>

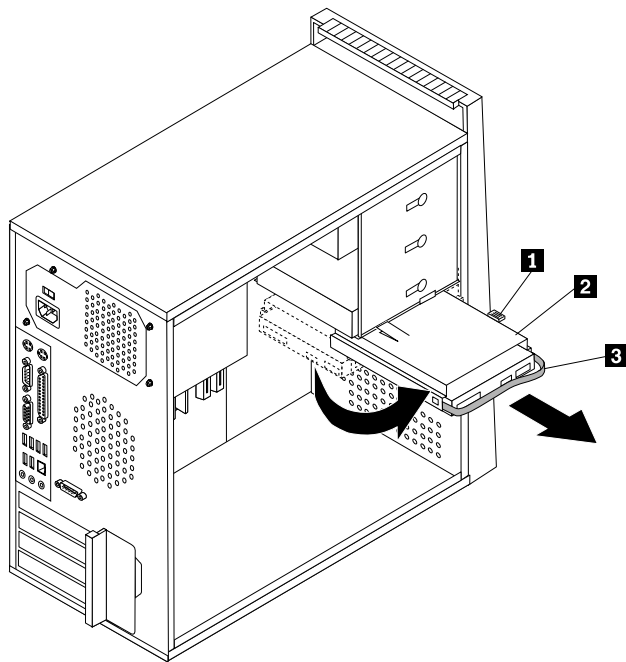
This section provides information on how to remove and replace the hard disk drive.

To remove or replace the hard disk drive, do the following:

1. Remove the computer cover. See "Removing the cover" on page 68.

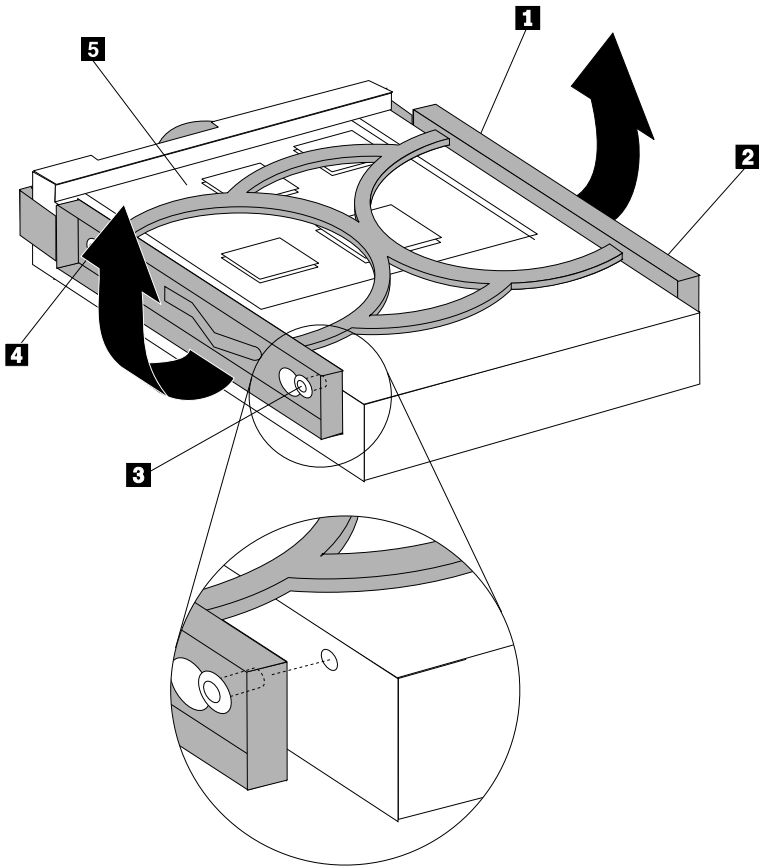
**Note:** For this procedure, it helps to lay the computer on its side.

2. Disconnect the signal and power cables from the hard disk drive.
3. Press the release tab **1** down, slide the hard drive cage **2** back, and pivot the hard disk drive outward as shown.

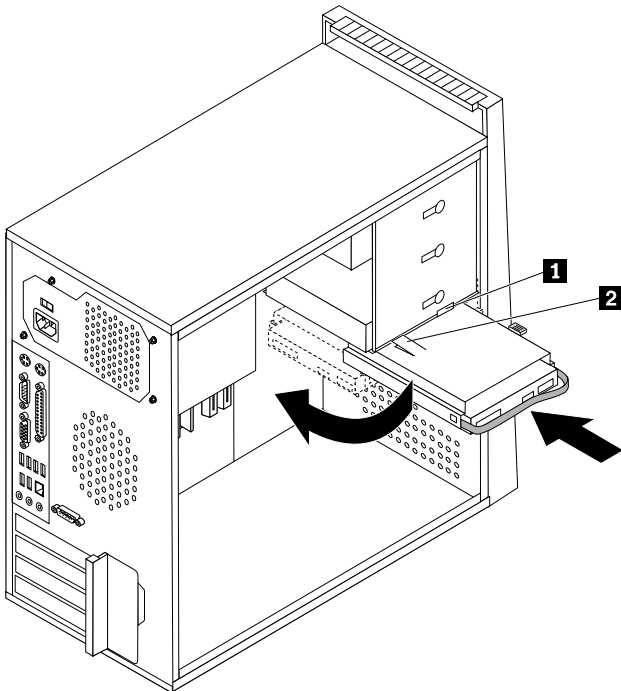


4. Remove the hard disk drive cage from the chassis by simply sliding it outward.
5. Pull on the blue handle **3** to remove hard disk drive from the drive cage.
6. Remove the failing hard disk drive from the blue plastic bracket from by flexing the sides of the bracket enough to free it from the hard disk drive.
7. To install the new drive into the blue bracket, flex the bracket, and align the pins **1** through **4** on the bracket with the holes in the hard disk drive. Do not touch the circuit board **5** on the bottom of the hard disk drive.





8. Slide the new hard disk drive into the drive cage until it snaps into position.
9. Align the drive cage pivot pin with the slot **1** in the upper drive cage and slide the hard disk drive into the chassis.



10. Press down on the metal latch **2** and pivot in the drive cage into place. Slide it forward until it snaps into position.

**Note:** There are two arrows, one on the upper drive cage and one on the hard disk drive cage, that are aligned when the hard disk drive is in the proper position.

11. Connect the power and signal cables to the hard disk drive.

12. Go to "Completing the FRU replacement" on page 91.

---

## Replacing an optical drive

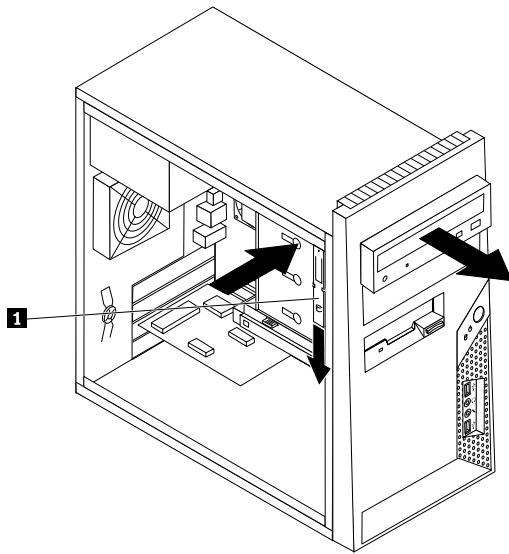
### Attention

Do not open your computer or attempt any repair before reading and understanding the "Important safety information" in the *ThinkCentre Safety and Warranty Guide* that came with your computer. To obtain a copy of the *ThinkCentre Safety and Warranty Guide*, go to: <http://www.lenovo.com/support>

This section provides information on how to remove and replace an optical drive.

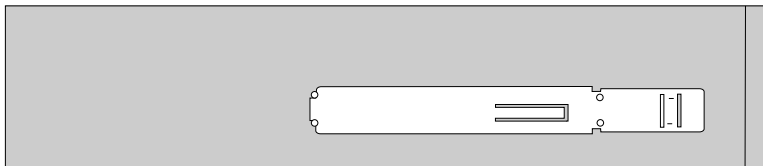
To remove and replace the optical drive, do the following;

1. Remove the computer cover. See "Removing the cover" on page 68.
2. Disconnect the signal and power cables from the rear of the optical drive.
3. Press the release button and remove the optical drive out the front of the computer.



**Note:** Notice that there is a spare retainer bracket **1** attached to the upper drive cage.

4. Remove the retainer bracket from the drive being replaced and install it on the new drive.



5. Slide the new optical drive into the bay from the front until it snaps into position.
6. Connect the signal and power cables to the drive.
7. Go to "Completing the FRU replacement" on page 91.

## Replacing the diskette drive

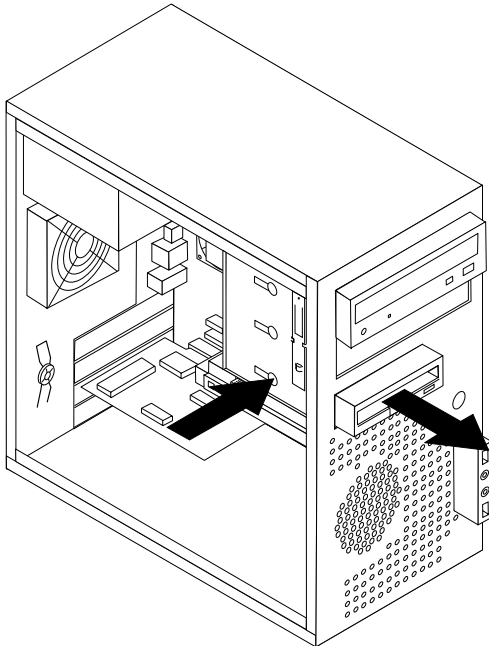
### Attention

Do not open your computer or attempt any repair before reading and understanding the "Important safety information" in the *ThinkCentre Safety and Warranty Guide* that came with your computer. To obtain a copy of the *ThinkCentre Safety and Warranty Guide*, go to: <http://www.lenovo.com/support>

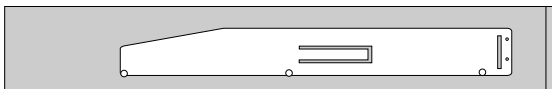
This procedure provides information on how to remove and replace the diskette drive.

To remove or replace the diskette drive, do the following:

1. Remove the computer cover. See "Removing the cover" on page 68.
2. Remove the front bezel. See "Removing and replacing the front bezel" on page 71.
3. Disconnect the signal and power cables from the rear of the diskette drive.
4. Press the release button and slide the diskette drive out the front of the computer.



5. Remove the retainer bracket from the failing diskette drive and install it on the new diskette drive.



6. Slide the new diskette drive into the drive bay until it snaps into position.
7. Connect the signal and power cables to the drive.
8. Go to "Completing the FRU replacement" on page 91.

## Replacing the rear fan assembly

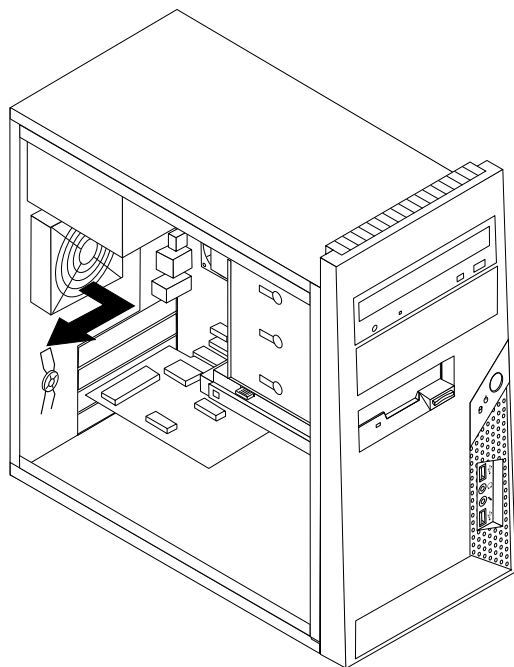
### Attention

Do not open your computer or attempt any repair before reading and understanding the "Important safety information" in the *ThinkCentre Safety and Warranty Guide* that came with your computer. To obtain a copy of the *ThinkCentre Safety and Warranty Guide*, go to: <http://www.lenovo.com/support>

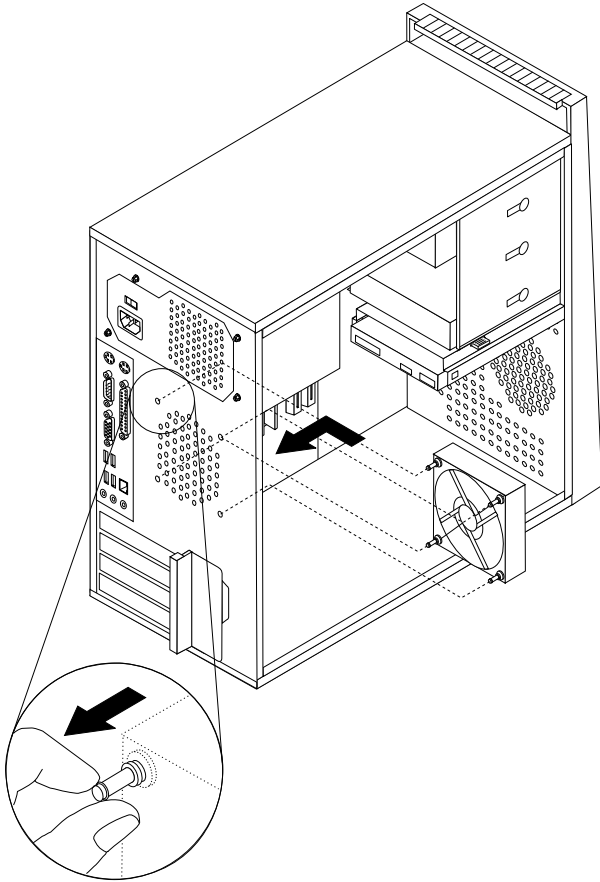
This section provides information on how to remove and replace the system fan.

To remove or replace the system fan, do the following:

1. Remove the computer cover. See "Removing the cover" on page 68.
2. Locate the rear fan assembly. Disconnect the rear fan cable from the system fan connector on the system board. See "Locating parts on the system board" on page 71.
3. The rear fan assembly is mounted with four rubber mounts that protrude through the rear of the chassis. Remove the fan assembly by pulling the rubber mounts back through the chassis.



4. Install the new rear fan assembly by aligning the rubber mounts of the system fan assembly with the holes on the chassis and push the rubber mounts through the holes.
5. Pull on the tips of the rubber mounts until the fan assembly is in place.



6. Route the fan cable to the system board and connect the cable to the system board. See "Locating parts on the system board" on page 71.
7. Go to "Completing the FRU replacement" on page 91.

## Replacing the front fan assembly

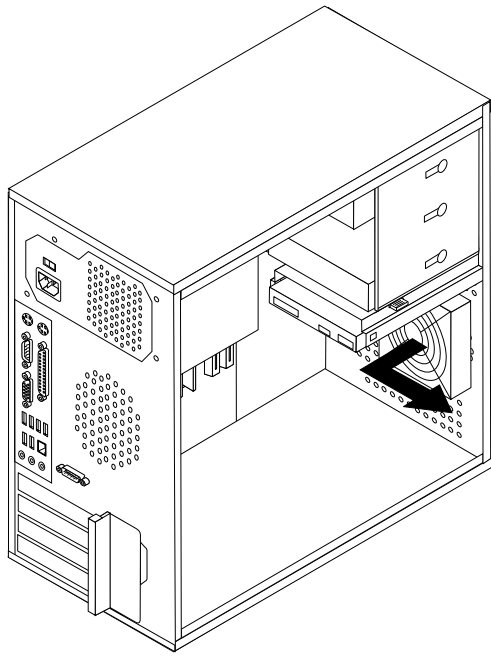
### Attention

Do not open your computer or attempt any repair before reading and understanding the "Important safety information" in the *ThinkCentre Safety and Warranty Guide* that came with your computer. To obtain a copy of the *ThinkCentre Safety and Warranty Guide*, go to: <http://www.lenovo.com/support>

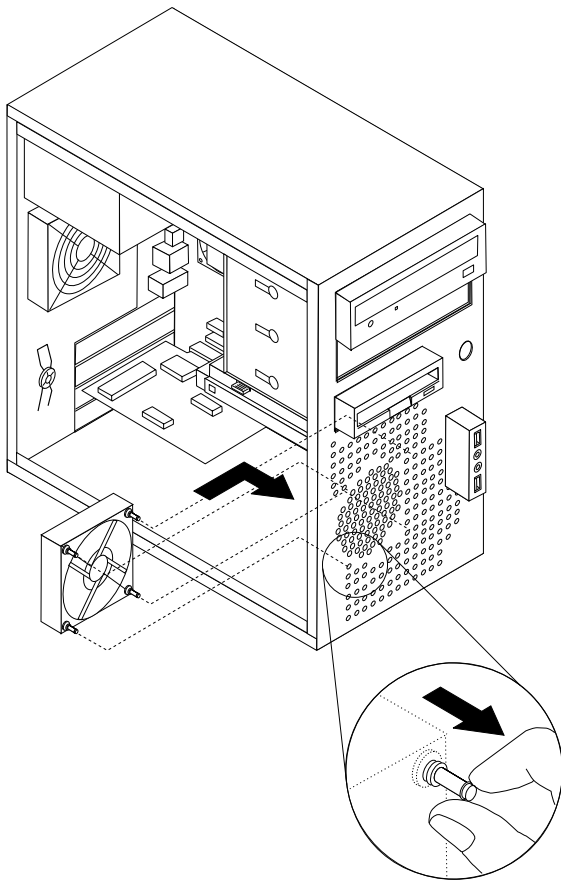
This section provides information on how to remove and replace the front fan assembly.

To remove or replace the front fan assembly, do the following:

1. Remove the computer cover. See "Removing the cover" on page 68.
2. Remove the front bezel. See "Removing and replacing the front bezel" on page 71.
3. Disconnect the front fan assembly cable from the power fan connector on the system board. See "Locating parts on the system board" on page 71.
4. The front fan assembly is attached to the chassis by four rubber mounts. Remove the front fan assembly by gently pulling it out of the chassis.



5. Install the new front fan assembly by aligning the rubber mounts of the front fan assembly with the holes on the chassis and push the rubber mounts through the holes.
6. Pull on the tips of the rubber mounts until the fan assembly is in place.



7. Route the fan cable to the system board and connect the cable to the system board. See "Locating parts on the system board" on page 71.

8. Replace the front bezel.
9. Go to "Completing the FRU replacement" on page 113.

---

## Replacing the front audio/USB assembly

### Attention

Do not open your computer or attempt any repair before reading and understanding the "Important safety information" in the *ThinkCentre Safety and Warranty Guide* that came with your computer. To obtain a copy of the *ThinkCentre Safety and Warranty Guide*, go to:<http://www.lenovo.com/support>

This section provides information on how to remove and replace the front audio/USB assembly.

To remove or replace the front audio/USB assembly, do the following:

1. Remove the computer cover. See "Removing the cover" on page 68.
2. Remove the front bezel. See "Removing and replacing the front bezel" on page 71
3. Disconnect the front audio/USB assembly cable from the system board. See "Locating parts on the system board" on page 71.
4. Note the front audio/USB assembly cable routing and remove the screw that secures the assembly to the chassis.
5. Remove the front audio/USB assembly.
6. Route the cable for the new front audio/USB assembly through the hole in the chassis and to the system board.
7. Install the front audio/USB assembly into the chassis and secure it with the screw.
8. Connect the front audio/USB assembly cable to the system board.
9. Reinstall the front bezel.
10. Go to "Completing the FRU replacement" on page 91.

---

## Replacing the power switch/LED assembly

### Attention

Do not open your computer or attempt any repair before reading and understanding the "Important safety information" in the *ThinkCentre Safety and Warranty Guide* that came with your computer. To obtain a copy of the *ThinkCentre Safety and Warranty Guide*, go to:<http://www.lenovo.com/support>

This section provides information on how to remove and replace the power switch/LED assembly.

To remove or replace the power switch/LED assembly, do the following:

1. Remove the computer cover. See "Removing the cover" on page 68.
2. Remove the front bezel. See "Removing and replacing the front bezel" on page 71
3. Disconnect the power switch/LED assembly cable from the system board. See "Locating parts on the system board" on page 71.
4. Note the power switch/LED assembly cable routing and the position of the two LEDs.
5. Remove the switch and the LEDs from the bezel.
6. Route the cable for the new power switch/LED assembly through the hole in the chassis and to the system board.
7. Install the new power switch/LED assembly into the bezel. Make sure that the LEDs are in the correct position.
8. Connect the power switch/LED cable to the system board.

- Reinstall the front bezel.
- Go to "Completing the FRU replacement" on page 91.

---

## Replacing the CMOS battery

### Attention

Do not open your computer or attempt any repair before reading and understanding the "Important safety information" in the *ThinkCentre Safety and Warranty Guide* that came with your computer. To obtain a copy of the *ThinkCentre Safety and Warranty Guide*, go to: <http://www.lenovo.com/support>

This section provides information on how to remove and replace the CMOS battery.

To remove or replace the CMOS battery, do the following:

If the CMOS battery fails, the date, time, and configuration information (including passwords) are lost. An error message is displayed when you turn on the computer.

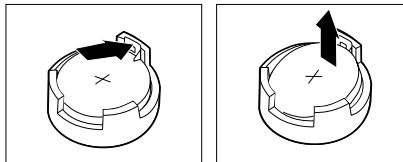
### Important

Refer to "Safety notices (multi-lingual translations)" on page 6 for information about replacing and disposing of the battery.

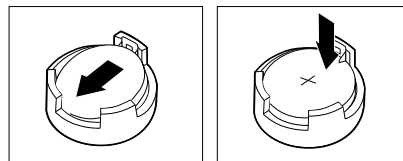
### CAUTION:

**When replacing the lithium battery, use only Part Number 33F8354 or an equivalent type battery recommended by the manufacturer.**

- Remove the computer cover. See "Removing the cover" on page 68.
- Locate the battery. See "Locating parts on the system board" on page 71.
- Remove the old battery.



- Install the new battery.



- Replace the computer cover, and connect the cables.

**Note:** When the computer is turned on for the first time after battery replacement, an error message might be displayed. This is normal after replacing the battery.

- Turn on the computer and all attached devices.
- Use the Setup Utility program to set the date and time and any passwords. See "Using the Setup Utility" in the *User Guide*.



---

## Completing the FRU replacement

After replacing FRUs, you need to install any removed parts, replace the cover, and reconnect any cables, including telephone lines and power cords. Also, depending on the FRU that is replaced, you might need to confirm the updated information in the Setup Utility program.

**Note:** When the power cord is first plugged in, the computer might appear to turn on for a few seconds and then turn off. This is a normal sequence to enable the computer to initialize.

1. Ensure that all components have been reassembled correctly and that no tools or loose screws are left inside your computer.
2. Replace the cover.
3. Reconnect the external cables and power cords to the computer. See "Rear connectors" on page 67.
4. If you have replaced the system board, you must update (flash) the BIOS. See "Flash update procedures" on page 467.
5. Some FRU replacements require the configuration to be updated. See Chapter 6 "Using the Setup Utility" on page 39.



---

## Chapter 9. Replacing FRUs (Types 7057, 7062, 7092, 9342, 9344, 9354, 9426, 9486, 9624, 9707, 9787, 9804, 9945)

### Important

Before you replace any FRU, read Chapter 2 "Safety information" on page 3. These precautions and guidelines will help you work safely.

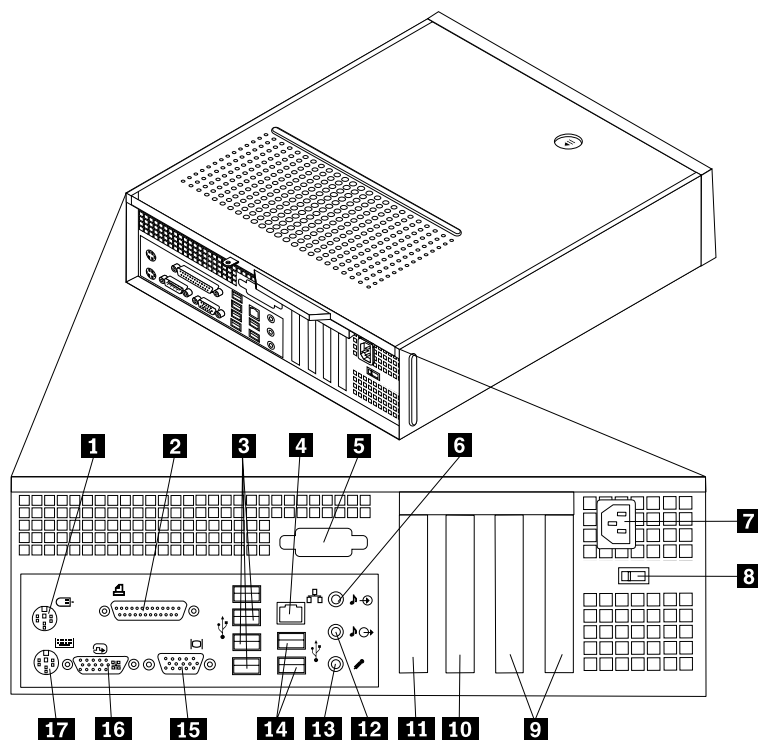
FRU replacements are to be done by trained service technicians only.

This chapter does not contain a remove and replace procedure for all FRUs. Only the major FRUs are documented.

---

### Rear connectors

The following illustration shows the locations of the connectors on the rear of the computer.



- |          |                                |           |                                   |
|----------|--------------------------------|-----------|-----------------------------------|
| <b>1</b> | Standard mouse connector       | <b>10</b> | PCI Express 16x adapter connector |
| <b>2</b> | Parallel connector             | <b>11</b> | PCI Express x1 adapter connector  |
| <b>3</b> | USB connectors (4)             | <b>12</b> | Audio line out connector          |
| <b>4</b> | Ethernet connector             | <b>13</b> | Microphone connector              |
| <b>5</b> | Serial connector (some models) | <b>14</b> | USB connectors (2)                |
| <b>6</b> | Audio line in connector        | <b>15</b> | VGA monitor connector             |
| <b>7</b> | Power cord connector           | <b>16</b> | DVI monitor connector             |

**8** Voltage-selection switch (some models)

**17** Standard keyboard connector

**9** PCI adapter connectors (2)

---

## Removing the cover

### CAUTION:

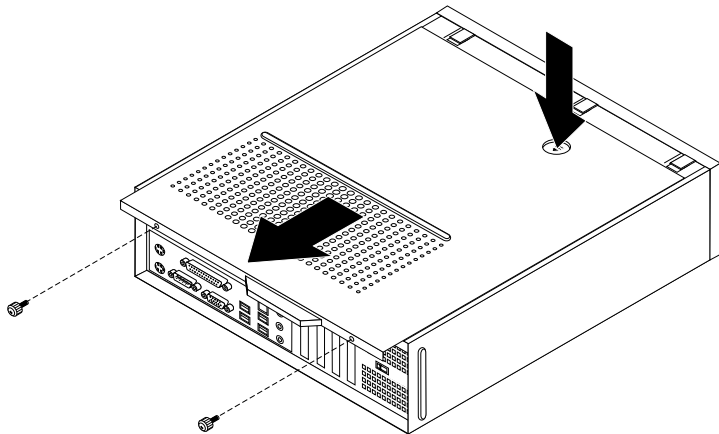


The heat sink and microprocessor might be very hot. Turn off the computer and wait three to five minutes to let the computer cool before opening the computer cover.

This section provides information on how to remove the cover.

To remove or replace the cover, do the following:

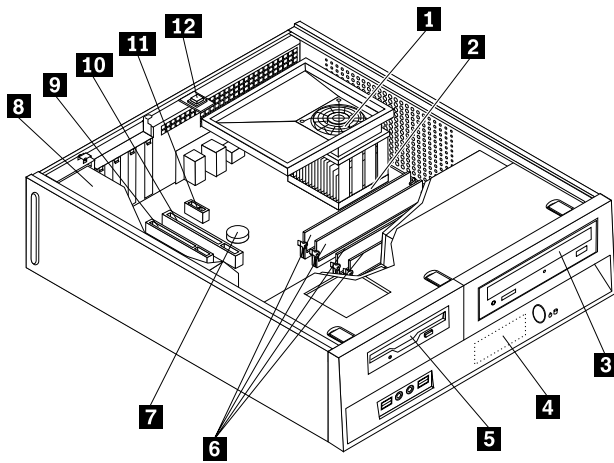
1. Remove any media (diskettes, CDs, or tapes) from the drives, shut down the operating system, and turn off all attached devices.
2. Unplug all power cords from electrical outlets.
3. Disconnect all cables attached to the computer. This includes power cords, input/output (I/O) cables, and any other cables that are connected to the computer.
4. Remove any locking devices such as a padlock that secure the cover.
5. If the cover is secured with thumbscrews, remove them.
6. Press the button near the front of the computer cover and slide the cover to the rear, and remove it. If your computer has screws to secure the computer cover, remove the screws, and then remove the cover.



---

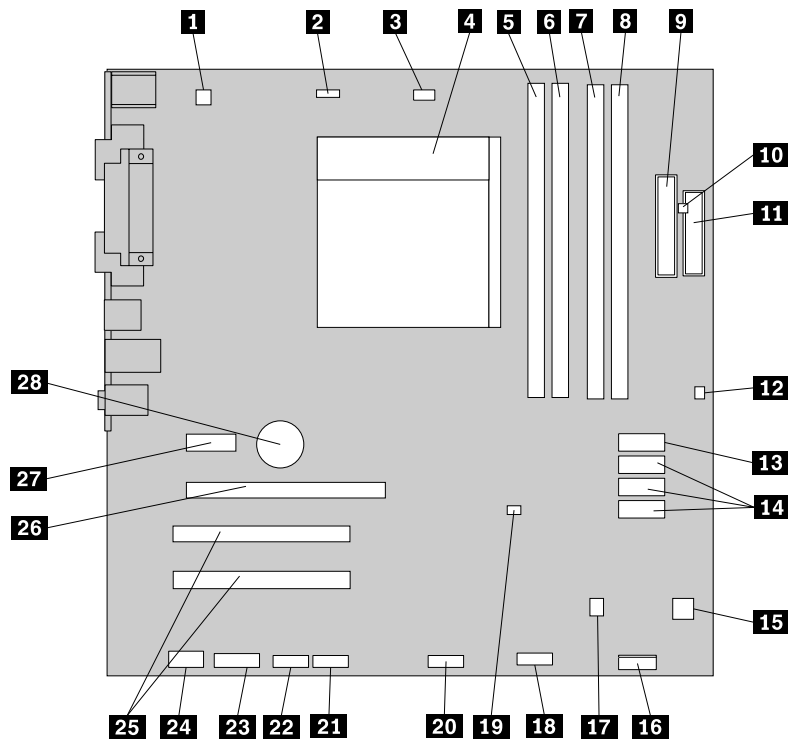
## Locations

The following illustration will help you locate the major FRUs in the computer.



- |          |                                |           |                                   |
|----------|--------------------------------|-----------|-----------------------------------|
| <b>1</b> | Fan plenum, fan, and heat sink | <b>7</b>  | Battery                           |
| <b>2</b> | Microprocessor                 | <b>8</b>  | Power supply                      |
| <b>3</b> | Optical drive                  | <b>9</b>  | PCI adapter connector             |
| <b>4</b> | Hard disk drive                | <b>10</b> | PCI Express x16 adapter connector |
| <b>5</b> | Diskette drive                 | <b>11</b> | PCI Express x1 adapter connector  |
| <b>6</b> | Memory modules (4)             | <b>12</b> | Intrusion switch                  |

## Locating parts on the system board



- |          |                              |           |                       |
|----------|------------------------------|-----------|-----------------------|
| <b>1</b> | 4-pin power connector        | <b>15</b> | Power fan connector   |
| <b>2</b> | System fan connector         | <b>16</b> | Front panel connector |
| <b>3</b> | Microprocessor fan connector | <b>17</b> | Speaker connector     |

<b>4</b>	Microprocessor and heat sink	<b>18</b>	Front USB 2 connector
<b>5</b>	Memory connector 1	<b>19</b>	Clear CMOS jumper
<b>6</b>	Memory connector 2	<b>20</b>	Front USB 1 connector
<b>7</b>	Memory connector 3	<b>21</b>	COM 2 connector
<b>8</b>	Memory connector 4	<b>22</b>	COM 1 connector
<b>9</b>	24-pin power connector	<b>23</b>	CD-IN connector
<b>10</b>	Thermal sensor connector	<b>24</b>	Front audio connector
<b>11</b>	Diskette drive connector	<b>25</b>	PCI adapter connectors (2)
<b>12</b>	Intrusion switch connector	<b>26</b>	PCI Express x16 adapter connector
<b>13</b>	SATA connector	<b>27</b>	PCI Express x1 adapter connector
<b>14</b>	SATA connectors (3)	<b>28</b>	Battery

## Accessing system board components and drives

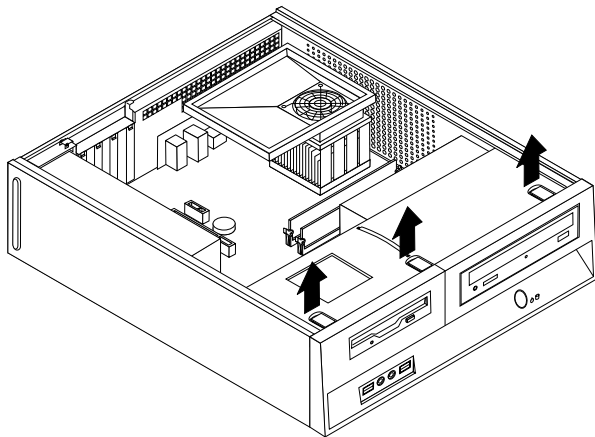
### Attention

Do not open your computer or attempt any repair before reading and understanding the "Important safety information" in the *ThinkCentre Safety and Warranty Guide* that came with your computer. To obtain a copy of the *ThinkCentre Safety and Warranty Guide*, go to: <http://www.lenovo.com/support>

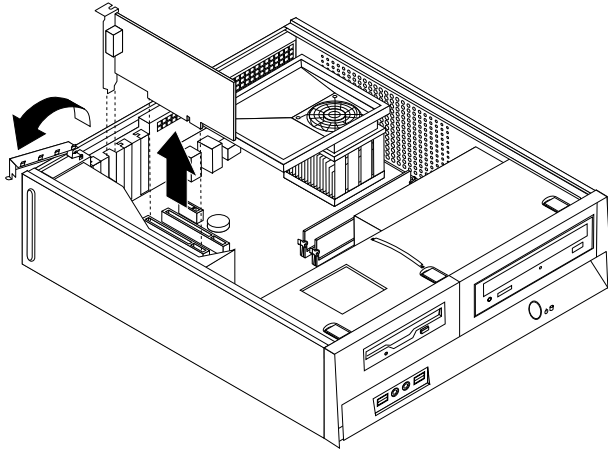
You might need to remove the drive bay assembly to access system board components such as memory, the battery, and CMOS.

To access system board components and the drives:

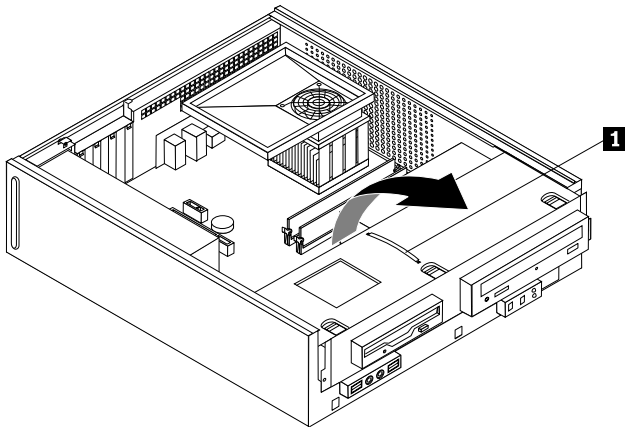
1. Remove the computer cover. See "Removing the cover" on page 94.
2. Remove the front bezel by releasing the three tabs and pivoting the bezel forward to remove completely.



3. In some models, you might have to remove the PCI adapter card in order to gain access to the battery.



4. Using the blue handle **1**, lift and slide the drive bay assembly forward until the locating studs in the drive bay assembly are aligned with the slots on the sides of the chassis. Pull upward on the handle to remove the drive bay assembly completely from the chassis. Depending on what component of the computer you want to remove, you can either disconnect the cables from the rear of the drives or leave them connected.



5. Reverse this procedure to reinstall the drive bay assembly.

---

## Replacing a memory module

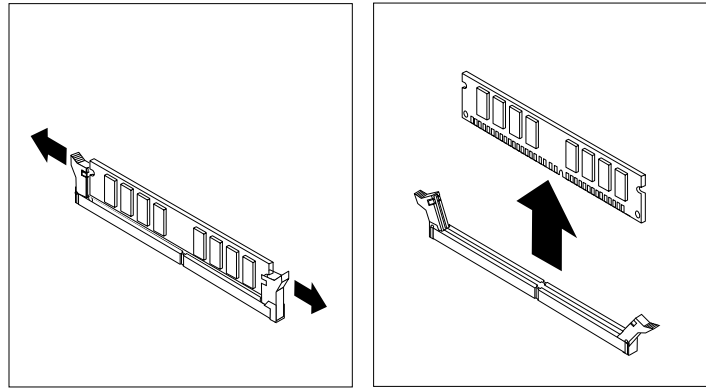
### Attention

Do not open your computer or attempt any repair before reading and understanding the "Important safety information" in the *ThinkCentre Safety and Warranty Guide* that came with your computer. To obtain a copy of the *ThinkCentre Safety and Warranty Guide*, go to: <http://www.lenovo.com/support>

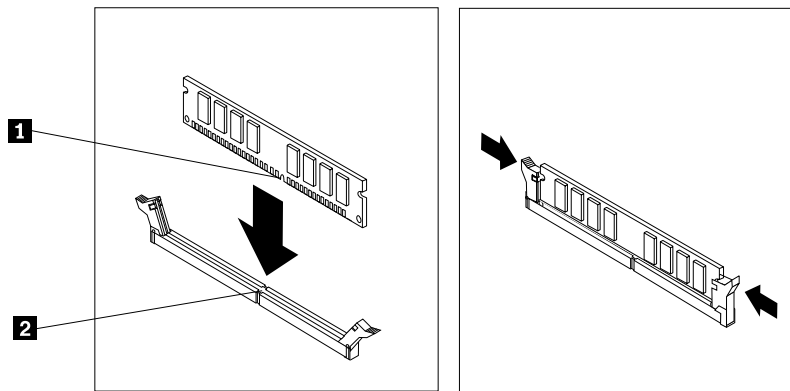
This section provides information on how to remove and replace a memory module.

To remove or replace the memory module, do the following:

1. Remove the cover. See "Removing the cover" on page 94.
2. You might have to remove the drive bay assembly to access the memory connectors. See "Accessing system board components and drives" on page 96.
3. Remove the memory module being replaced by opening the retaining clips as shown.



4. Position the replacement memory module over the memory connector. Make sure that the notch **1** on the memory module aligns correctly with the connector key **2** on the system board. Push the memory module straight down into the memory connector until the retaining clips close.



5. Go to "Completing the FRU replacement" on page 113.

## Replacing the CMOS battery

### Attention

Do not open your computer or attempt any repair before reading and understanding the "Important safety information" in the *ThinkCentre Safety and Warranty Guide* that came with your computer. To obtain a copy of the *ThinkCentre Safety and Warranty Guide*, go to: <http://www.lenovo.com/support>

This section provides information on how to remove and replace the CMOS battery.

To remove or replace the CMOS battery, do the following:

If the CMOS battery fails, the date, time, and configuration information (including passwords) are lost. An error message is displayed when you turn on the computer.

### Important

Refer to "Safety notices (multi-lingual translations)" on page 6 for information about replacing and disposing of the battery.

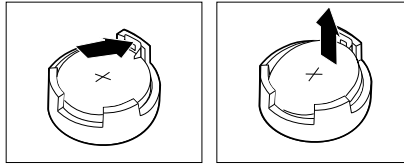
### CAUTION:

**When replacing the lithium battery, use only Part Number 33F8354 or an equivalent type battery recommended by the manufacturer.**

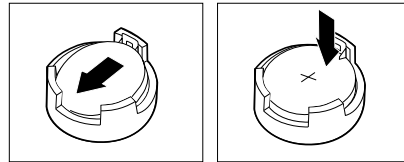
1. Remove the computer cover. See "Removing the cover" on page 94.



2. Locate the battery. See "Locating parts on the system board" on page 95.
3. Remove the old battery.



4. Install the new battery.



5. Replace the computer cover, and connect the cables

**Note:** When the computer is turned on for the first time after battery replacement, an error message might be displayed. This is normal after replacing the battery.

6. Turn on the computer and all attached devices.
7. Use the Setup Utility program to set the date and time and any passwords. See "Using the Setup Utility" in the *User Guide*

---

## Replacing the power supply

### Attention

Never remove the cover on a power supply or any part that has the following label attached.



Hazardous voltage, current, and energy levels are present inside any component that has this label attached. There are no serviceable parts inside these components.

### Attention

Do not open your computer or attempt any repair before reading and understanding the "Important safety information" in the *ThinkCentre Safety and Warranty Guide* that came with your computer. To obtain a copy of the *ThinkCentre Safety and Warranty Guide*, go to: <http://www.lenovo.com/support>

This section provides information on how to remove and replace the power supply.

To remove or replace the power supply:

1. Remove the cover. See "Removing the cover" on page 94.
2. Remove the drive bay assembly. See "Accessing system board components and drives" on page 96.
3. Disconnect all power supply cables from the system board. See "Locating parts on the system board" on page 95.

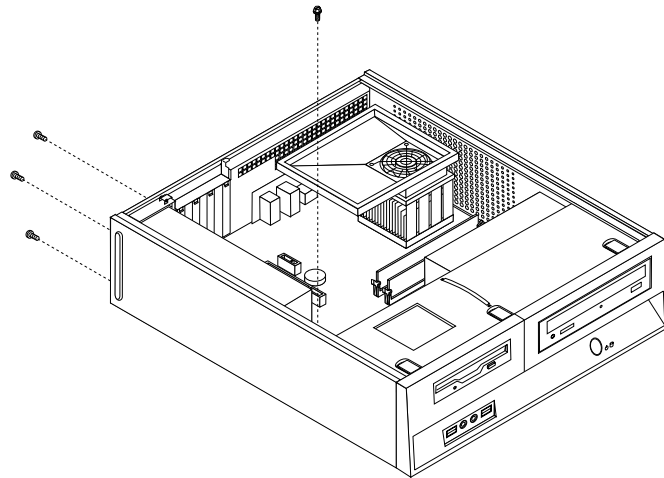
- Remove the hard disk drive. See "Replacing the hard disk drive" on page 106.

**Note:** Observe the power supply cable routing underneath the hard disk drive.

- The system board must be moved out of the way to remove the power supply. Remove the screws that secure the system board to the chassis and slide the system board away from the power supply.

**Note:** You do not have to remove the system board from the chassis to remove the power supply.

- At the rear of the chassis, remove the three screws that secure the power supply. Also remove the screw that secures the power supply at the front.



- Lift the power supply out of the chassis.
- If the power supply has a voltage-selection switch, ensure that it is set to match the voltage available at the electrical outlet.
  - If the voltage supply range in your local country or region is 100-127 V ac, set the switch to 115 V.
  - If the voltage supply range in your local country or region is 200-240 V ac, set the switch to 230 V.
- Install the new power supply and install the three screws that secure the power supply at the rear of the chassis and install the screw that secures the power supply at the front.
- Position the system board so that the screws holes are properly aligned and install the system board screws.
- Route the power supply cable through the cable clamps underneath the hard disk drive and reconnect all power supply cables to the system board.
- Install the hard disk drive. See "Replacing the hard disk drive" on page 106.
- Align the drive bay assembly studs with the two slots on the sides of the chassis and place it into position. Reconnect any diskette drive and optical drive cables that were disconnected.
- Using the blue handle, slide the drive bay assembly towards the rear of the chassis until it snaps into position.
- Reinstall the front bezel.
- Go to "Completing the FRU replacement" on page 113.

---

## Replacing the system board

### CAUTION:



The heat sink and microprocessor might be very hot. Turn off the computer and wait three to five minutes to let the computer cool before opening the computer cover.

**Attention**

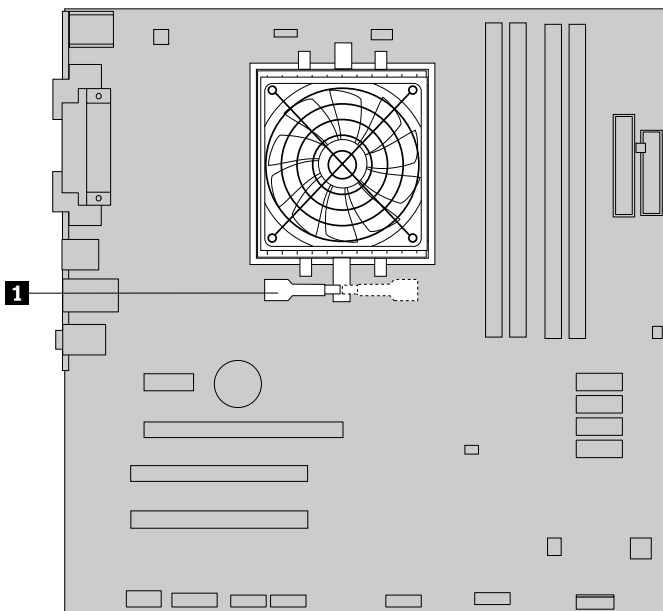
Do not open your computer or attempt any repair before reading and understanding the "Important safety information" in the *ThinkCentre Safety and Warranty Guide* that came with your computer. To obtain a copy of the *ThinkCentre Safety and Warranty Guide*, go to: <http://www.lenovo.com/support>

**Note:** When replacing the system board you must also order a new retention module for the new system board. Make sure you have a retention module for the new system board before continuing with this procedure.

This section provides information on how to remove and replace the system board.

To remove or replace the system board, do the following:

1. Remove the cover. See "Removing the cover" on page 94.
2. Lift the fan duct off the heat sink fan.
3. Remove any PCI adapter cards installed in the PCI connectors.
4. You might have to remove the drive bay assembly to access the system board. See "Accessing system board components and drives" on page 96.
5. Take note of the location of all cable connections on the system board and disconnect all cables. See "Locating parts on the system board" on page 95.
6. Remove the hard disk drive. See "Replacing the hard disk drive" on page 106.
7. Remove the screws that secure the system board to the chassis.
8. Lift the system board out of the chassis.
9. Remove the memory modules from the failing system board and install them in the same location on the new system board.
10. Rotate handle **1** to release the heat sink clamp and then disengage the clamp from the plastic retention bracket.

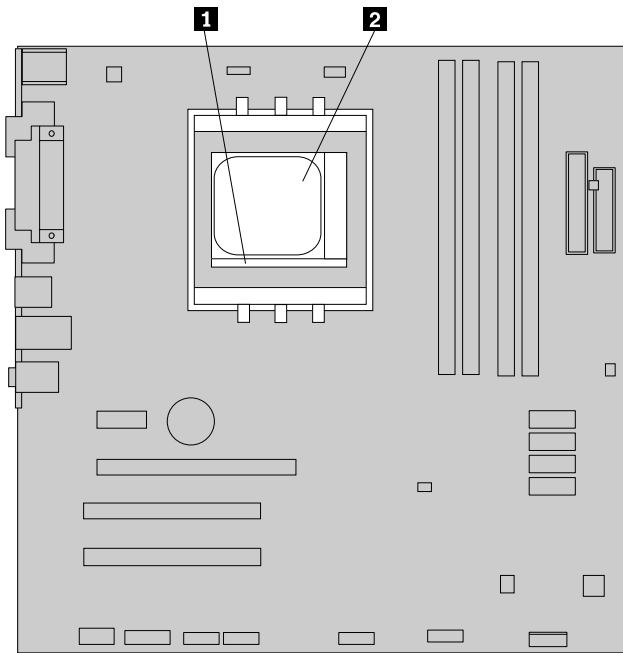


11. Lift the heat sink and fan assembly off the failing system board. Place the heat sink on its side so that the thermal grease does not come in contact with anything.

**Note:** You might have to gently twist the heat sink to free it from the microprocessor.

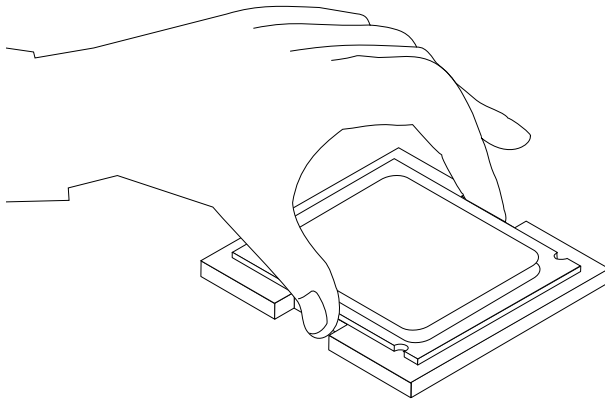
12. Remove the retention module from the rear of the failing system board and install it in the same position on the new system board.

13. To release the microprocessor **2** from the system board socket, lift the small handle **1**.



**Important:** Touch only the sides of the microprocessor. Do not touch the gold contacts on the bottom.

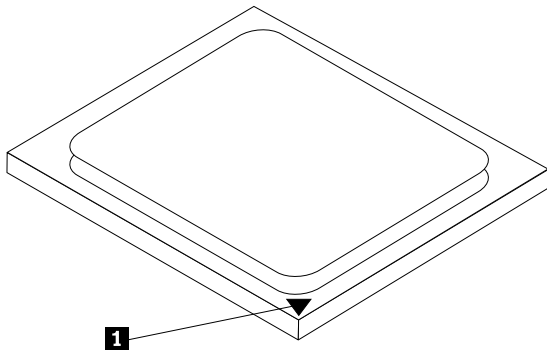
14. Lift the microprocessor straight up and out of the socket.



**Notes:**

- a. Your microprocessor and socket might look different than the one illustrated.
- b. Note the orientation of the microprocessor in the socket. Look for the small triangle on one corner of the microprocessor. This is important when reinstalling the microprocessor on the new system board.
- c. Do not drop anything onto the microprocessor socket while it is exposed. The socket pins must be kept as clean as possible.

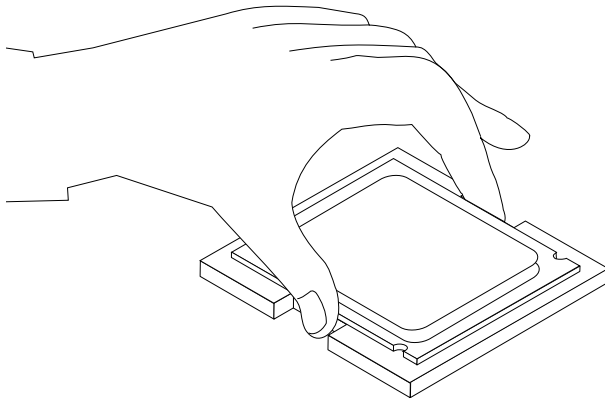
15. Holding the microprocessor with your fingers, position the microprocessor so that the small triangle **1** on one corner is aligned with the corresponding triangle on the socket on the new system board.



**Note:** To avoid damaging the microprocessor contacts, do not tilt the microprocessor when installing it into the socket.

16. Make sure that the small handle is in the raised position.

17. Lower the microprocessor straight down into the system board socket of the new system board.



18. Lower the small handle to secure the microprocessor in the socket.

19. Install the retention module for the heat sink and fan assembly on the system board.

20. Install the heat sink and fan assembly on the new system board.

21. Reconnect the heat sink and fan assembly cable to the system board. See "Locating parts on the system board" on page 95.

22. Install the new system board into the chassis and align the screw holes with those in the chassis. Insert and tighten the screws that secure the system board.

23. Reinstall the hard disk drive. See "Replacing the hard disk drive" on page 106.

24. Align the drive bay assembly with the two slots and rails on the sides of the chassis, reconnect the drive cables to the system board, and then slide the drive bay assembly towards the rear of the chassis until it snaps into position.

25. Reconnect the remaining cables to the system board.

26. Reinstall the front bezel.

27. Reinstall any PCI adapter cards that were removed.

28. Position the fan duct on the heat sink fan.

29. Go to "Completing the FRU replacement" on page 113.

## Replacing the microprocessor

### CAUTION:



The heat sink and microprocessor might be very hot. Turn off the computer and wait three to five minutes to let the computer cool before opening the computer cover.

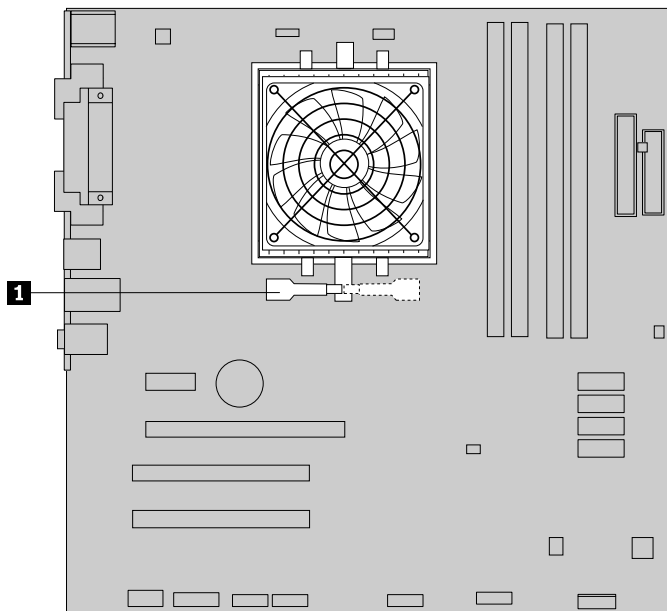
### Attention

Do not open your computer or attempt any repair before reading and understanding the "Important safety information" in the *ThinkCentre Safety and Warranty Guide* that came with your computer. To obtain a copy of the *ThinkCentre Safety and Warranty Guide*, go to: <http://www.lenovo.com/support>

This section provides information on how to remove and replace the microprocessor.

To remove or replace the microprocessor, do the following:

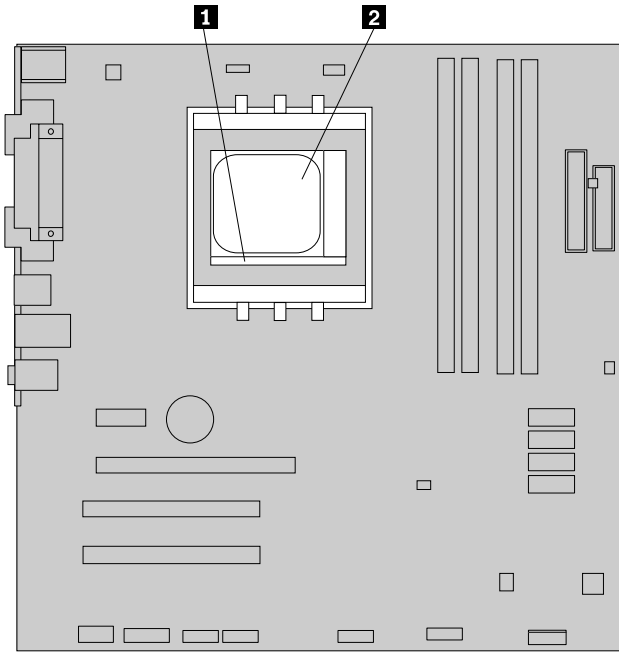
1. Remove the cover. See "Removing the cover" on page 94.
2. Lift the fan duct off the heat sink fan.
3. Disconnect the heat sink and fan assembly cable from the system board. See "Locating parts on the system board" on page 95.
4. Rotate handle **1** to release the heat sink clamp and then disengage the clamp from the plastic retention bracket.



5. Lift the heat sink and fan assembly off the system board. Place the heat sink on its side so that the thermal grease does not come in contact with anything.

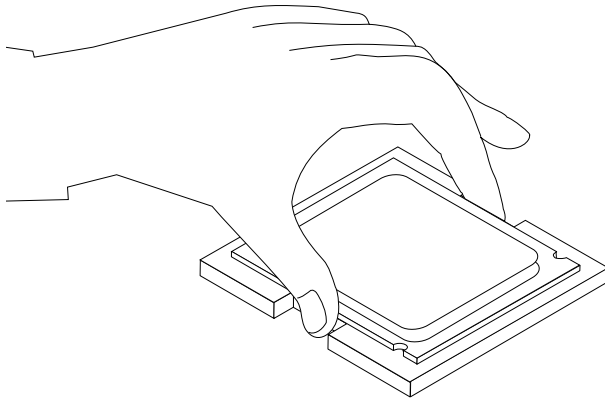
**Note:** You might have to gently twist the heat sink to free it from the microprocessor.

6. To release the microprocessor **2** from the system board socket, lift the small handle **1**.



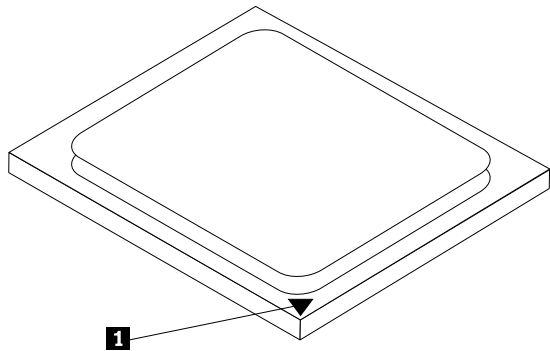
**Important:** Do not touch the gold contacts on the bottom of the microprocessor. If you must touch the microprocessor, touch only the sides.

7. Lift the microprocessor straight up and out of the socket.

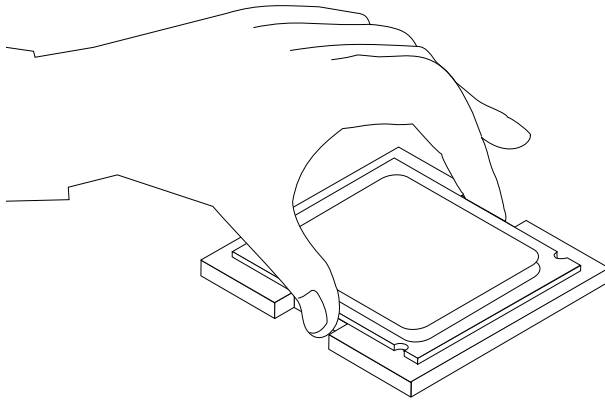


**Notes:**

- a. Your microprocessor and socket might look different than the one illustrated.
  - b. Note the orientation of the microprocessor in the socket. Look for the small triangle on one corner of the microprocessor. This is important when reinstalling the microprocessor on the new system board.
  - c. Do not drop anything onto the microprocessor socket while it is exposed. The socket pins must be kept as clean as possible.
8. Make sure that the microprocessor retainer is fully open.
  9. Holding the microprocessor with your fingers, position the microprocessor so that the small triangle on one corner is aligned with the corresponding triangle on the microprocessor socket.



10. Lower the microprocessor straight down into the system board socket of the new system board.



11. To secure the microprocessor in the socket, close the microprocessor retainer and lock it into position with the small handle.
12. Install the heat sink and fan assembly on the system board.
13. Connect the heat sink and fan assembly cable to the system board. See "Locating parts on the system board" on page 95.
14. Position the fan duct on the heat sink fan.
15. Go to "Completing the FRU replacement" on page 113.

---

## Replacing the hard disk drive

### Attention

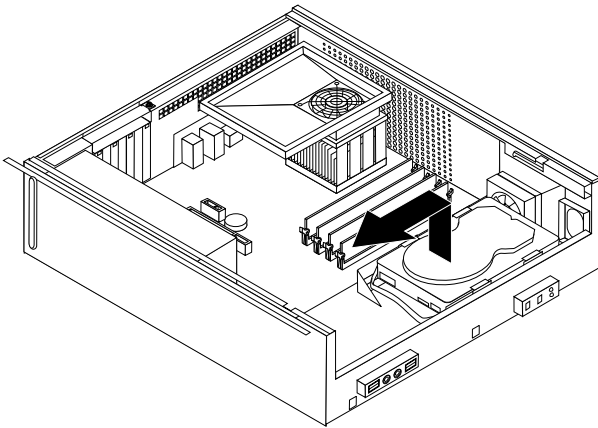
Do not open your computer or attempt any repair before reading and understanding the "Important safety information" in the *ThinkCentre Safety and Warranty Guide* that came with your computer. To obtain a copy of the *ThinkCentre Safety and Warranty Guide*, go to: <http://www.lenovo.com/support>

This section provides information on how to remove and replace the hard disk drive.

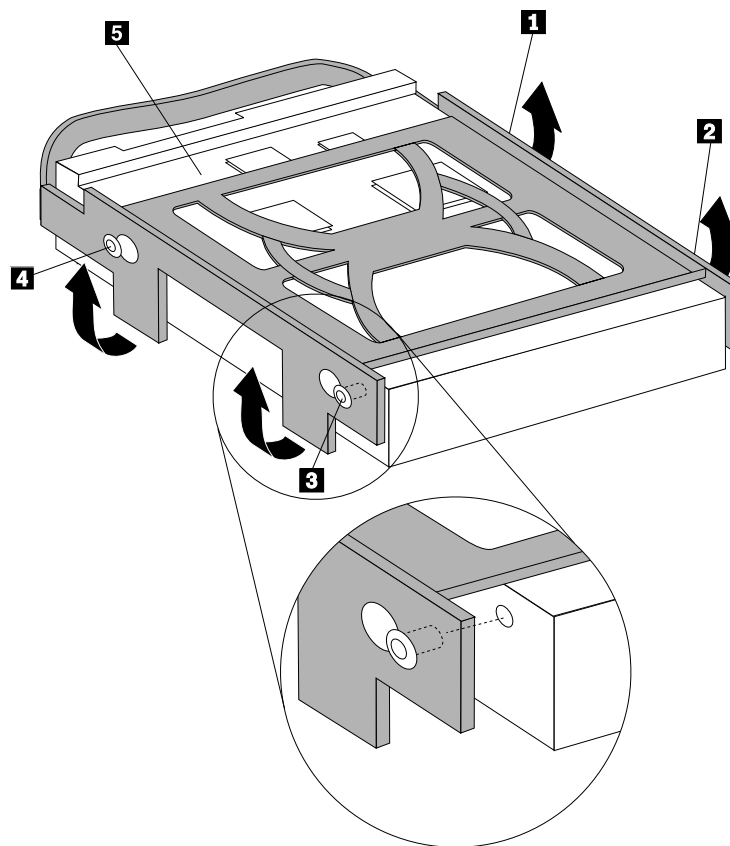
To remove or replace the hard disk drive:

1. Remove the cover. See "Removing the cover" on page 94.
2. Remove the front bezel and drive bay assembly. See "Accessing system board components and drives" on page 96.
3. Use the blue handle to pivot the hard disk drive and bracket upward, slide the hard drive to the left until it is free of the retaining clips in the bottom of the chassis, and then completely remove it from the chassis.





4. Disconnect the signal and power cables from the rear of the hard disk drive.
5. Remove the blue bracket from the failing hard disk drive by flexing the bracket.
6. Install the new drive into the blue bracket, flex the bracket, and align the pins **1** through **4** on the bracket with the holes in the hard disk drive. Do not touch the circuit board **5** on the bottom of the hard disk drive.



7. Connect the signal and power cables to the rear of the hard disk drive.
8. Position the hard disk drive and bracket so that it engages the retaining clips in the bottom of the chassis when you slide the bracket to the right.
9. Slide the hard disk drive and bracket to the right until it snaps into position.
10. Align the drive bay assembly studs with the two slots on each side of the chassis and reconnect the diskette drive and optical drive cables (if disconnected).
11. Slide the drive bay assembly towards the rear of the chassis until it snaps into position.
12. Reinstall the front bezel.

13. Go to "Completing the FRU replacement" on page 113.

---

## Replacing an optical drive

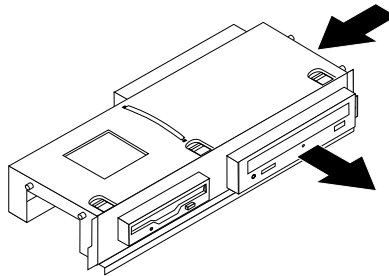
### Attention

Do not open your computer or attempt any repair before reading and understanding the "Important safety information" in the *ThinkCentre Safety and Warranty Guide* that came with your computer. To obtain a copy of the *ThinkCentre Safety and Warranty Guide*, go to: <http://www.lenovo.com/support>

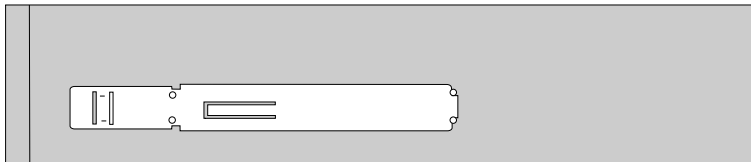
This section provides information on how to remove and replace an optical drive.

To remove or replace the optical drive, do the following:

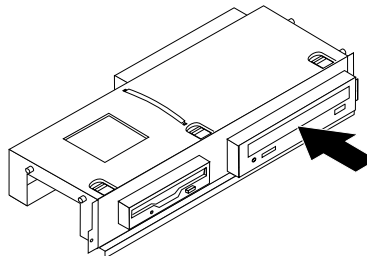
1. Remove the cover. See "Removing the cover" on page 94.
2. Remove the drive bay assembly. See "Accessing system board components and drives" on page 96.
3. Release the optical drive from the drive bay assembly by pressing inward on the blue retainer at the side of the drive.
4. Slide the optical drive being replaced out the front of the drive bay assembly.



5. Remove the retainer bracket from the failing drive and install it on the new drive.



6. Install the new optical drive into the bay until it snaps into position.



7. Go to "Completing the FRU replacement" on page 113.

---

## Replacing the diskette drive

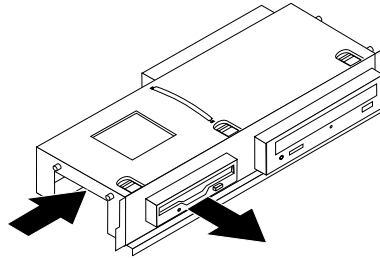
### Attention

Do not open your computer or attempt any repair before reading and understanding the "Important safety information" in the *ThinkCentre Safety and Warranty Guide* that came with your computer. To obtain a copy of the *ThinkCentre Safety and Warranty Guide*, go to: <http://www.lenovo.com/support>

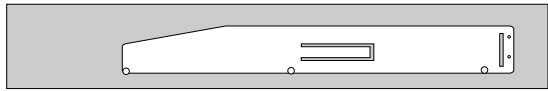
This section provides information on how to remove and replace a diskette drive.

To remove or replace the diskette drive, do the following:

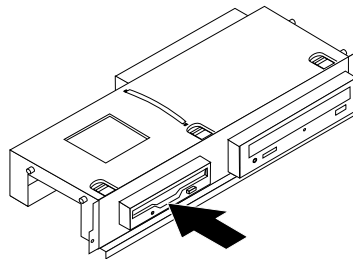
1. Remove the cover. See "Removing the cover" on page 94.
2. Remove the drive bay assembly. See "Accessing system board components and drives" on page 96.
3. Release the diskette drive by pressing inward on the blue retainer at the side of the drive.
4. Remove the failing diskette drive by sliding it out the front of the drive bay assembly.



5. Remove the retainer bracket from the failing drive and install it on the new drive.



6. Install the new diskette drive into the drive bay from the front until it snaps into position.



7. Go to "Completing the FRU replacement" on page 113.

---

## Replacing the power switch/LED assembly

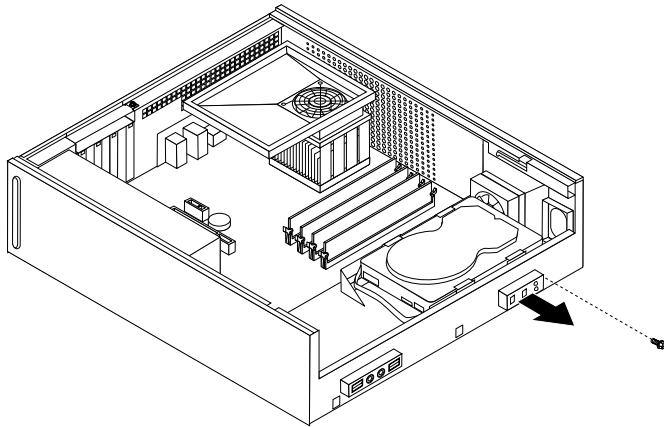
### Attention

Do not open your computer or attempt any repair before reading and understanding the "Important safety information" in the *ThinkCentre Safety and Warranty Guide* that came with your computer. To obtain a copy of the *ThinkCentre Safety and Warranty Guide*, go to: <http://www.lenovo.com/support>

This section provides information on how to remove and replace the power switch/LED assembly.

To remove or replace the power switch/LED assembly, do the following:

1. Remove cover. See "Removing the cover" on page 94.
2. Remove the drive bay assembly. See "Accessing system board components and drives" on page 96.
3. Remove the hard disk drive. See "Replacing the hard disk drive" on page 106.
4. Disconnect the power switch/LED assembly cable from the system board. See "Locating parts on the system board" on page 95.
5. Remove the screw that secures the power switch/LED assembly to the chassis.



6. Note the power switch/LED assembly cable routing and remove the assembly from the chassis.
7. Route the cable for the new power switch/LED assembly through the hole in the chassis and to the system board.
8. Install the power switch/LED assembly into the chassis and secure the assembly with the screw.
9. Connect the power switch/LED cable to the system board.
10. Reinstall the hard disk drive. See "Replacing the hard disk drive" on page 106.
11. Align the drive bay assembly with the two slots and rails on the sides of the chassis slide the drive bay assembly towards the rear of the chassis until it snaps into position.
12. Reinstall the front bezel.
13. Go to "Completing the FRU replacement" on page 113.

---

## Replacing the front panel card

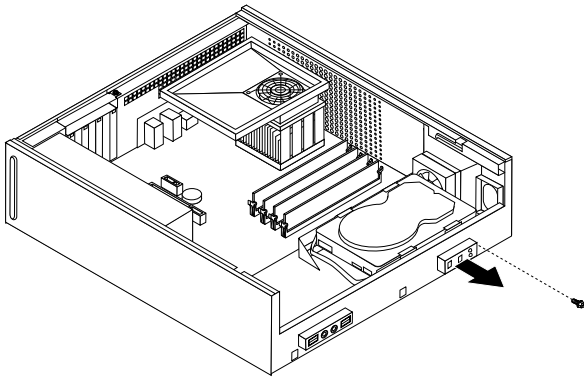
### Attention

Do not open your computer or attempt any repair before reading and understanding the "Important safety information" in the *ThinkCentre Safety and Warranty Guide* that came with your computer. To obtain a copy of the *ThinkCentre Safety and Warranty Guide*, go to: <http://www.lenovo.com/support>

This section provides information on how to remove and replace the front panel card.

To remove or replace the front panel card, do the following:

1. Remove cover. See "Removing the cover" on page 94.
2. Remove the drive bay assembly. See "Accessing system board components and drives" on page 96.
3. Disconnect the front panel assembly cables from the system board. See "Locating parts on the system board" on page 95.
4. Remove the screw that secures the front panel card assembly to the chassis.



5. Note the front panel assembly cable routing and remove the assembly from the chassis.
6. Route the cable for the new front panel card assembly through the hole in the chassis and to the system board.
7. Install the front panel card assembly into the chassis and secure it with the screw.
8. Connect the front panel assembly cables to the system board.
9. Align the drive bay assembly with the two slots and rails on the sides of the chassis and slide the drive bay assembly towards the rear of the chassis until it snaps into position.
10. Reinstall the front bezel.
11. Go to "Completing the FRU replacement" on page 113.

---

## Replacing the system fan assembly

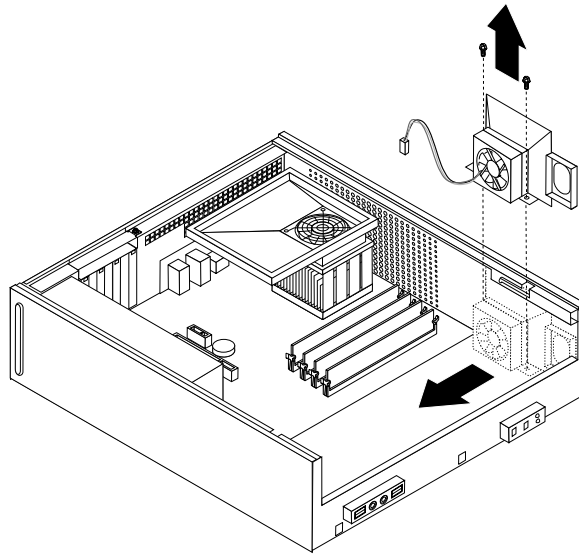
### Attention

Do not open your computer or attempt any repair before reading and understanding the "Important safety information" in the *ThinkCentre Safety and Warranty Guide* that came with your computer. To obtain a copy of the *ThinkCentre Safety and Warranty Guide*, go to: <http://www.lenovo.com/support>

This section provides information on how to remove and replace the system fan assembly.

To remove or replace the system fan assembly, do the following:

1. Remove cover. See "Removing the cover" on page 94.
2. Remove the drive bay assembly. See "Accessing system board components and drives" on page 96.
3. Remove the hard disk drive. See "Replacing the hard disk drive" on page 106.
4. Disconnect the system fan cable from the system board. See "Locating parts on the system board" on page 95.
5. Remove the two screws securing the system fan assembly.
6. Remove the system fan assembly by pulling the bracket outward and lifting it up from the system board to remove completely.



7. Install the new system fan assembly and install the two screws that secure the fan assembly.
8. Connect the system fan cable to the system fan connector on the system board.
9. Reinstall the hard disk drive. See "Replacing the hard disk drive" on page 106.
10. Align the drive bay assembly with the two slots and rails on the sides of the chassis and slide the drive bay assembly towards the rear of the chassis until it snaps into position.
11. Reinstall the front bezel.
12. Go to "Completing the FRU replacement" on page 113.

---

## Replacing a PCI adapter card

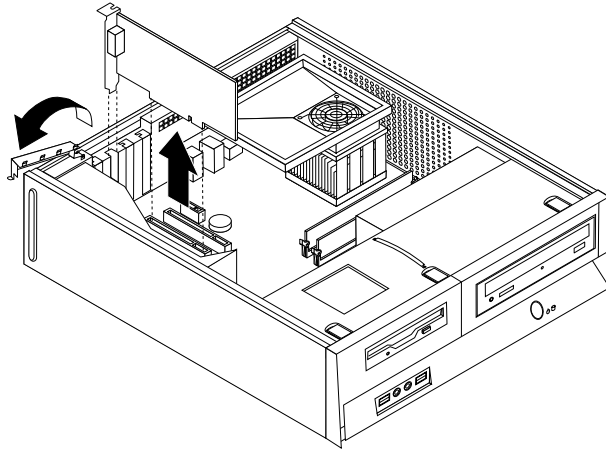
### Attention

Do not open your computer or attempt any repair before reading and understanding the "Important safety information" in the *ThinkCentre Safety and Warranty Guide* that came with your computer. To obtain a copy of the *ThinkCentre Safety and Warranty Guide*, go to: <http://www.lenovo.com/support>

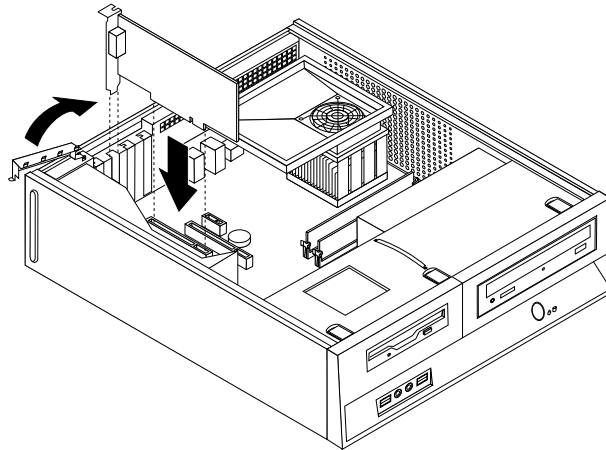
This section provides information on how to remove and replace a PCI adapter card.

To remove or replace the PCI adapter card, do the following:

1. Remove cover. See "Removing the cover" on page 94.
2. Open the adapter latch and remove the failing adapter.



3. Remove the new adapter from its static-protective package.
4. Install the new adapter into the appropriate connector on the system and close the adapter latch.



5. Go to "Completing the FRU replacement" on page 113.

---

## Completing the FRU replacement

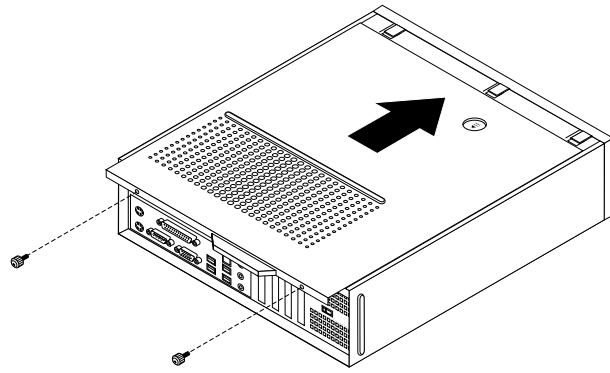
After replacing FRUs, you need to install any removed parts, replace the cover, and reconnect any cables, including telephone lines and power cords. Also, depending on the FRU that is replaced, you might need to confirm the updated information in the Setup Utility program.

**Note:** When the power cord is first plugged in, the computer might appear to turn on for a few seconds and then turn off. This is a normal sequence to enable the computer to initialize.

1. Ensure that all components have been reassembled correctly and that no tools or loose screws are left inside your computer.
2. Reposition any cables that might impede the replacement of the computer cover.

**Important:** Correctly route all power supply cables to avoid interference with the drive bay assembly. Keep cables clear of the hinges and sides of the computer chassis.

3. Position the computer cover on the chassis so that the rail guides on the sides of the cover engage the rails and push the cover to the closed position until it snaps into position.



4. If the cover is secured with thumbscrews, install them.
5. Reconnect the external cables and power cords to the computer. See "Rear connectors" on page 93.
6. If you have replaced the system board, you must update (flash) the BIOS. See "Flash update procedures" on page 467.
7. Some FRU replacements require the configuration to be updated. See Chapter 6 "Using the Setup Utility" on page 39.

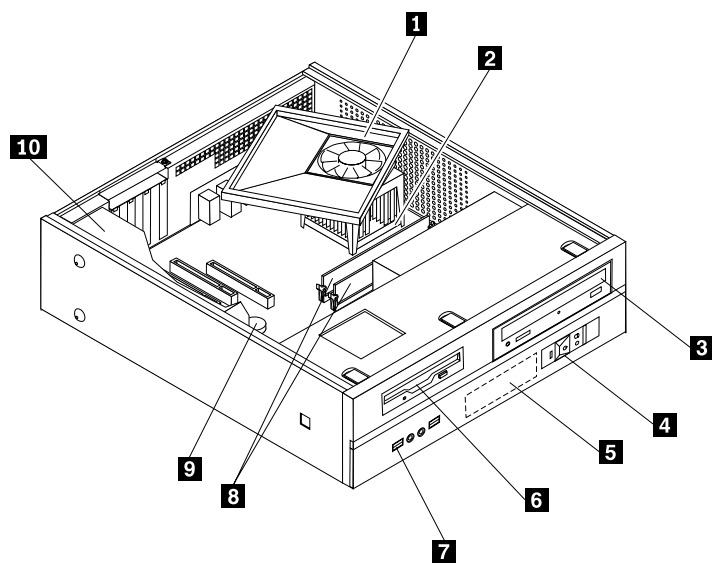


## Chapter 10. FRU lists

**Attention:** Read "Important information about replacing RoHS compliant FRUs" on page 1 before replacing any FRUs.

**Note:** In the following tables, a CRU (Customer Replaceable Unit) is identified as either "1", "2", or "N" in the CRU column. "N" means that the part is not a CRU, "1" means that the part is a Self-service CRU, and "2" means that the part is an Optional-service CRU.

### Machine Type 3656



Item #	3656 FRUs	FRU#	CRU
1	AMD 89W&65W 4Pin heatsink (all models)	41R6407	2
2	Microprocessor, Athlon64 4800+ X2 (2.50GHz, 1M L2, 65W) G1 65nm (models)	43C4093	N
2	Microprocessor, Athlon64 5000+ X2 (2.60GHz, 1M L2, 65W) G1 65nm (models)	41X1427	N
2	Microprocessor, Athlon 1640B (2.70GHz, 512K L2, 45W) G2 65nm (models)	45R6488	N
2	Microprocessor, Athlon64 5200+ AM2 X2 (2.7 GHz processor, 65W) stepping G1 65nm (models)	45C7502	N
2	Microprocessor, Athlon64 5400B X2(2.80GHz, 1M L2, 65W) G2 65nm (models AAU AAF AAS AAP AAL AAD AAY AAG AAM AAA AAQ AAT AAC AAB AAH AAV AAK AAR AAJ)	45R6486	N
2	Microprocessor, Athlon64 5600+ X2 (2.90GHz, 1M L2, 89W) G2 65nm (models)	45C7504	N
2	Microprocessor, Athlon X2 BE 2350 (2.1GHz processor, 45W, 1MB L2) steping G1 (models)	43C6166	N
2	Microprocessor, Athlon X2 BE 2400 (2.3GHz processor, 45W, 1MB L2) steping G1 (models)	43C6165	N
2	Microprocessor, Athlon 4450B X2 (2.30GHz, 1M L2, 45W) G2 65nm (models)	46R3624	N
2	Microprocessor, Athlon 5000B X2 (2.60GHz, 1M L2, 65W) G2 65nm (models)	46R3625	N
2	Microprocessor, Athlon 5200B X2 (2.70GHz, 1M L2, 65W) G2 65nm (models)	46R3626	N

Item #	3656 FRUs	FRU#	CRU
2	Microprocessor, Sempron LE-1250 (2.20GHz, 512K L2, 45W) G2 65nm (models)	43C6168	N
2	Microprocessor, Sempron LE-1300 (2.30GHz, 512K L2, 45W) G2 65nm (models)	43C8986	N
2	Microprocessor, Sempron 2100 X2 (1.80GHz, 512K L2, 65W) G2 65nm (models)	46R3629	N
2	Microprocessor, Sempron 2200 X2 (2.00GHz, 512K L2, 65W) G2 65nm (models)	46R3630	N
2	Microprocessor, Phenom 8600B (2.30GHz, 1.5M L2, 2M L3, 95W) stepping B2 65nm (models)	45R6494	N
2	Microprocessor, Phenom 9550 (2.20GHz, 2M L2, 2M L3, 95W) stepping B3 65nm (models)	45R6496	N
2	Microprocessor, Phenom 9650 (2.30GHz, 2M L2, 2M L3, 95W) stepping B3 65nm (models)	45R6498	N
2	Microprocessor, Phenom 9600B (2.30GHz, 2M L2, 2M L3, 95W) stepping B2 65nm (models)	45R6500	N
2	Microprocessor, Phenom 8450 (2.10GHz, 1.5M L2, 2M L3, 95W) B3 65nm (models)	45R6490	N
2	Microprocessor, Athlon LE-1660 (2.8 GHz, 512K L2, 45W) G2 65nm (models CTO)	53Y7722	N
2	Microprocessor, Athlon X2 5600B (2.9 GHz, 1M L2, 65W) G2 65nm (models CTO)	53Y7718	N
2	Microprocessor, Athlon64 X2 6000+ (3.1 GHz, 1M L2, 89W) G2 65nm (models CTO)	53Y7720	N
2	Microprocessor, Sempron X2 2300 (2.2GHz, 512K L2, 65W) G2 65nm (models CTO)	53Y7724	N
2	Microprocessor, Phenom X3 8750B (2.4 GHz, 512K / 2M L2, 95W) B3 65nm (models CTO)	53Y7709	N
2	Microprocessor, Phenom X4 9750B (2.4 GHz, 512K / 2M L2, 95W) B3 65nm (models CTO)	53Y7711	N
2	Microprocessor, Sempron 140 (2.7GHz, 1M Total Cache, AM3, 45W) C2 45nm (models 91Z)	71Y6414	N
2	Microprocessor, Athlon II X2 240 (2.8GHz, 2M Total Cache, AM3, 65W) C2 45nm (models 91Z)	64Y8012	N
2	Microprocessor, Athlon II X2 245 (2.9GHz, 2M Total Cache, AM3, 65W) C2 45nm (models 91Z)	64Y8013	N
2	Microprocessor, Athlon II X3 435 (2.9GHz, 1.5M Total Cache, AM3, 95W) C2 45nm (models 91Z)	64Y8020	N
2	Microprocessor, Phenom II X2 550 (3.1GHz, 7M Total Cache, AM3, 80W) C2 45nm (models 91Z)	64Y8024	N
2	Microprocessor, Phenom II X2 550 (3.1GHz, 7M Total Cache, AM3, 80W) C2 45nm (models 91Z)	64Y8026	N
2	Microprocessor, Phenom II X2 555 (3.2 GHz, 7M Total Cache, AM3, 80W) C3 45nm (models 91Z)	89Y0793	N
2	Microprocessor, Phenom II X3 720 (2.8GHz, 7.5M Total Cache, AM3, 95W) C2 45nm (models 91Z)	64Y8030	N
2	Microprocessor Phenom II X4 910 (2.6GHz, 8M Total Cache, AM3, 95W) C2 45nm (models 91Z)	64Y8035	N
3	DVD-ROM Drive - 16x/48x - SATA Vista & non-Vista (models)	41N3325	2
3	DVD Recordable/CD-RW Rambo 8 - SATA Vista & non-Vista (models AAU AAF AAS AAP AAL AAD AAY AAG AAM AAA AAQ AAT AAC AAB AAH AAV AAK AAR AAE AAJ)	43C1042	2
3	DVD-RW/CD-RW Rambo 8 - With write software (models AAU AAF AAS AAP AAL AAD AAY AAG AAM AAA AAQ AAT AAC AAB AAH AAV AAK AAR AAE AAJ)	71Y5545	2

Item #	3656 FRUs	FRU#	CRU
3	DVD-ROM Drive - 16x/48x - With DVD playback software (models)	71Y5543	2
4	Front Power/LED PC, bracket, and cable (all models)	41N8213	2
5	Hard disk drive, 80GB, 7200RPM, SATA (models)	40Y9034	2
5	Hard disk drive, 160GB, 7200RPM, SATA (models AAU AAF AAS AAP AAL AAD AAY AAG AAM AAA AAQ AAT AAC AAB AAH AAV AAK AAR AAE AAJ)	40Y9035	2
5	Hard disk drive, SATA 160GB 7200RPM/3Gb/8MB (models AAU AAF AAS AAP AAL AAD AAY AAG AAM AAA AAQ AAT AAC AAB AAH AAV AAK AAR AAE AAJ)	53Y6837	2
5	Hard disk drive, 250GB, 7200RPM, SATA (models)	40Y9036	2
5	Hard disk drive, 250GB, 7200RPM, SATA (models)	45K0408	2
5	Hard disk drive, 320GB 7200rpm SATA/8MB (models)	87H4891	2
5	Hard disk drive, SATA 320GB 7200rpm SATA/8MB (models)	45K0409	2
5	Hard disk drive, SATA 500GB 7200RPM/3Gb/s/8MB (models)	41X5582	2
5	Hard disk drive, SATA 500GB 7200RPM/3Gb/s/8MB (models)	45K0410	2
6	Diskette drive, 3.5" 1.44MB 2 Mode FDD with Bezel and cable (models)	40Y9105	2
6	Diskette drive, 3.5" 1.44MB 2 Mode FDD with Bezel and cable (models)	40Y9107	2
7	Front USB/Audio with bracket (all models)	41N8212	2
8	Memory module, 512 MB PC2-5300 (667MHz) DDR2 SDRAM (models)	41X4255	2
8	Memory module, 512MB PC2-6400 (800MHz) DDR2 SDRAM (models)	41X1079	2
8	Memory module, 1GB PC2-6400 (667MHz) DDR2 SDRAM (models AAU AAF AAS AAP AAL AAD AAY AAG AAM AAA AAQ AAT AAC AAB AAH AAV AAK AAR AAE AAJ)	41X1080	2
8	Memory module, 2GB PC2-6400 (667MHz) DDR2 SDRAM (models)	41X1081	2
9	System board, Planar AMD RS780 mATX (TOWER & ROCKYS) (models AAU AAF AAS AAP AAL AAD AAY AAG AAM AAA AAQ AAT AAC AAB AAH AAV AAK AAR AAE AAJ)	71Y5724	N
9	System board, Planar AMD RS780 mATX GA Level - TPM Disable for Russia (models AAG)	71Y4994	N
9	System board, Planar AMD RS780 mATX GA Level - Support Phenom II X2 555 (models 91Z)	89Y1346	N
9	System board, Planar AMD RS780 mATX GA Level - Support Phenom II X2 555 (models 91Z)	89Y1809	N
10	Power Supply, ATX 280 Watt world wide (models AAU AAF AAS AAP AAL AAD AAY AAG AAM AAA AAQ AAT AAC AAB AAH AAV AAK AAR)	41A9684	2
10	Power Supply, ATX 280 Watt 80% world wide and Japan (models AAU AAF AAS AAP AAL AAD AAY AAG AAM AAA AAQ AAT AAC AAB AAH AAV AAK AAR AAE AAJ)	41A9665	2
10	Power Supply, ATX 310 Watt world wide and Japan (models AAU AAF AAS AAP AAL AAD AAY AAG AAM AAA AAQ AAT AAC AAB AAH AAV AAK AAR AAE AAJ)	41A9726	2
10	Power Supply, 220 Watt world wide (models AAU AAF AAS AAP AAL AAD AAY AAG AAM AAA AAQ AAT AAC AAB AAH AAV AAK AAR)	41A9689	N
10	Power Supply, 220 Watt only for Japan (models AAE AAJ)	41A9697	N
10	Power Supply, 220 Watt 80% world wide and Japan (models AAU AAF AAS AAP AAL AAD AAY AAG AAM AAA AAQ AAT AAC AAB AAH AAV AAK AAR)	41A9670	N
10	Power Supply, 280 Watt TFX Active PFC, world wide and Japan (models AAU AAF AAS AAP AAL AAD AAY AAG AAM AAA AAQ AAT AAC AAB AAH AAV AAK AAR)	41A9705	N

The FRUs listed in the following tables are not illustrated.

<b>3656 FRUs</b>	<b>FRU#</b>	<b>CRU</b>
Fru rear IO shield ATX,for RX 780,Atlantic (all models)	41R6383	N
FDD Cable (all models)	41A7147	2
Cabel-SATA 250mm (RoHS) (all models)	43N9012	2
EMC Shield, Blank 5.25 (all models)	41N8271	2
EMC Shield, Blank FDD (all models)	41N8273	2
Cover, Rocky S3 (all models)	41N8204	2
Mechanical shell kit Rocky S4 (all models)	43N9374	N
Bezel kit, Rocky S3 without IBM logo (all models)	41R6238	2
Misc Hardware Kit (all models)	41N8209	2
HDD Bracket Asm (plastic and grommets) (all models)	41N8210	2
HDD Fan and bracket asm (all models)	41R6325	2
Speaker Cable Asm, 600 mm cable length (all models)	41N8217	2
Rear Com2 cable II LP (all models)	42Y8008	2
Rear USB 2Ports II LP (all models)	42Y8006	2
Foot stand ASM for ACE rocky S3 (all models)	41R4813	1
Instruction switch Asm (all models)	41R6208	2
RM Asm, AMD (all models)	41R2507	N
Temp Sense Cable (165 mm) (all models)	43N9079	2
System fan (all models)	41R6269	2
System fan (all models)	43N9908	2

<b>3656 Keyboards (Lenovo Preferred Pro USB -- without hub)</b>	<b>FRU#</b>	<b>CRU Tier</b>
USB FULL--US English (models AAU AAL AAG AAM AAA AAQ AAH AAR AAE)	41A5289	1
USB FULL--Arabic (models AAG)	41A5290	1
USB FULL--Arabic/French (models AAG)	41A5291	1
USB FULL--Belgian/French (models AAG)	41A5292	1
USB FULL--Belgium English (models AAG)	41A5293	1
USB FULL--Brazilian Portuguese (models AAP)	41A5294	1
USB FULL--Bulgarian (models AAG)	41A5295	1
USB FULL--Chinese/US (models AAB AAV)	41A5296	1
USB FULL--Czech (ABB) (models AAG)	41A5297	1
USB FULL--Danish (models AAG)	41A5298	1
USB FULL--Dutch (models AAG)	41A5299	1
USB FULL--French (models AAG)	41A5300	1
USB FULL--French Canadian (models AAF AAG)	41A5301	1
USB FULL--French Canadian (models AAF AAG)	41A5302	1
USB FULL--German (models AAG)	41A5303	1

<b>3656 Keyboards (Lenovo Preferred Pro USB -- without hub)</b>	<b>FRU#</b>	<b>CRU Tier</b>
USB FULL--Greek (models AAG)	41A5304	1
USB FULL--Greek/US (models AAG)	41A5305	1
USB FULL--Hebrew (models AAG)	41A5306	1
USB FULL--Hungarian (models AAG)	41A5307	1
USB FULL--Iceland (models AAG)	41A5308	1
USB FULL--Italy (models AAG)	41A5309	1
USB FULL--Japanese (models AAJ)	41A5310	1
USB FULL--Korean (models AAK)	41A5311	1
USB FULL--LA Spanish (models AAS AAD AAY)	41A5312	1
USB FULL--Norwegian (models AAG)	41A5313	1
USB FULL--Polish (models AAG)	41A5314	1
USB FULL--Portugese (models AAG)	41A5315	1
USB FULL--Romanian (models AAG)	41A5317	1
USB FULL--Russian/Cyrillic (models AAG)	41A5318	1
USB FULL--Serbian/Cyrillic (models AAG)	41A5319	1
USB FULL--Slovak (models AAG)	41A5320	1
USB FULL--Spanish (models AAG)	41A5321	1
USB FULL--Swedish/Finnish (models AAG)	41A5322	1
USB FULL--Swiss F/G (models AAG)	41A5323	1
USB FULL--Thailand (models AAT)	41A5324	1
USB FULL--Turkish (models AAG)	41A5325	1
USB FULL--Turkish (models AAG)	41A5326	1
USB FULL--UK English (models AAG)	41A5327	1
USB FULL--US Euro (models AAG)	41A5328	1
USB FULL--Slovenian (models AAG)	41A5329	1

<b>3656 Keyboards (Lenovo Fingerprint Reader USB)</b>	<b>FRU#</b>	<b>CRU Tier</b>
US English (models)	41R0038	1
Arabic (models)	41R0039	1
Arabic/French (models)	41R0040	1
Belgian/French (models)	41R0041	1
Belgium English (models)	41R0042	1
Brazilian Portuguese (models)	41R0043	1
Bulgarian (models)	41R0044	1
Chinese/US (models)	41R0045	1
Czech (ABB) (models)	41R0046	1
Danish (models)	41R0047	1
Dutch (models)	41R0048	1

<b>3656 Keyboards (Lenovo Fingerprint Reader USB)</b>	<b>FRU#</b>	<b>CRU Tier</b>
French (models)	41R0049	1
French Canadian (models)	41R0050	1
French Canadian (models)	41R0051	1
German (models)	41R0052	1
Greek (models)	41R0053	1
Greek/US (models)	41R0054	1
Hebrew (models)	41R0055	1
Hungarian (models)	41R0056	1
Iceland (models)	41R0057	1
Italy (models)	41R0058	1
Japanese (models)	41R0059	1
Korean (models)	41R0060	1
LA Spanish (models)	41R0061	1
Norwegian (models)	41R0062	1
Polish (models)	41R0063	1
Portuguese (models)	41R0064	1
Romanian (models)	41R0065	1
Romanian (models)	41R0066	1
Russian/Cyrillic (models)	41R0067	1
Serbian/Cyrillic (models)	41R0068	1
Slovak (models)	41R0069	1
Spanish (models)	41R0070	1
Swedish/Finnish (models)	41R0071	1
Swiss F/G (models)	41R0072	1
Thailand (models)	41R0073	1
Turkish (models)	41R0074	1
Turkish (models)	41R0075	1
UK English (models)	41R0076	1
US Euro (models)	41R0077	1
Slovenian (models)	41R0078	1

<b>3656 Keyboards (Lenovo Preferred Pro PS/2 Full Size)</b>	<b>FRU#</b>	<b>CRU Tier</b>
PS/2 Full--US English (models)	41A5039	1
PS/2 Full--Arabic (models)	41A5040	1
PS/2 Full--Arabic/French (models)	41A5041	1
PS/2 Full--Belgian/French (models)	41A5042	1
PS/2 Full--Belgium English (models)	41A5043	1
PS/2 Full--Brazilian Portuguese (models)	41A5044	1

<b>3656 Keyboards (Lenovo Preferred Pro PS/2 Full Size)</b>	<b>FRU#</b>	<b>CRU Tier</b>
PS/2 Full--Bulgarian (models)	41A5045	1
PS/2 Full--Chinese/US (models)	41A5046	1
PS/2 Full--Czech (ABB) (models)	41A5047	1
PS/2 Full--Danish (models)	41A5048	1
PS/2 Full--Dutch (models)	41A5049	1
PS/2 Full--French (models)	41A5050	1
PS/2 Full--French Canadian (models)	41A5051	1
PS/2 Full--French Canadian (models)	41A5052	1
PS/2 Full--German (models)	41A5053	1
PS/2 Full--Greek (models)	41A5054	1
PS/2 Full--Greek/US (models)	41A5080	1
PS/2 Full--Hebrew (models)	41A5055	1
PS/2 Full--Hungarian (models)	41A5056	1
PS/2 Full--Iceland (models)	41A5057	1
PS/2 Full--Italy (models)	41A5058	1
PS/2 Full--Japanese (models)	41A5059	1
PS/2 Full--Korean (models)	41A5060	1
PS/2 Full--LA Spanish (models)	41A5061	1
PS/2 Full--Norwegian (models)	41A5062	1
PS/2 Full--Polish (models)	41A5063	1
PS/2 Full--Portugese (models)	41A5064	1
PS/2 Full--Romanian (models)	41A5065	1
PS/2 Full--Russian/Cyrillic (models)	41A5066	1
PS/2 Full--Serbian/Cyrillic (models)	41A5067	1
PS/2 Full--Slovak (models)	41A5068	1
PS/2 Full--Spanish (models)	41A5069	1
PS/2 Full--Swedish/Finnish (models)	41A5070	1
PS/2 Full--Swiss F/G (models)	41A5071	1
PS/2 Full--Thailand (models)	41A5072	1
PS/2 Full--Turkish (models)	41A5073	1
PS/2 Full--Turkish (models)	41A5074	1
PS/2 Full--UK English (models)	41A5075	1
PS/2 Full--US Euro (models)	41A5076	1
PS/2 Full--Slovenian (models)	41A5077	1

<b>3656 mice</b>	<b>FRU#</b>	<b>CRU</b>
Optical Wheel Mouse OPT (400DPI, USB) (models AAU AAF AAS AAP AAL AAD AAY AAG AAM AAA AAQ AAT AAC AAB AAH AAV AAK AAR AAE AAJ)	41U3013	1
Optical Wheel Mouse OPT (400DPI, USB) (models AAU AAF AAS AAP AAL AAD AAY AAG AAM AAA AAQ AAT AAC AAB AAH AAV AAK AAR AAE AAJ)	41U3030	1
PS/2 Three Button ball mouse scrollpoint (41R0017) (models)	41R0018	1

<b>3656 Adapters and miscellaneous FRUs</b>	<b>FRU#</b>	<b>CRU</b>
Internal USB Memory Card Reader floppy bay (models)	41R3378	2
Internal 20 in 1 USB Memory Card Reader (models)	45R8139	1
NVIDIA GeForce 9300 GE 256M Full Height (DVI+VGA) (models CTO)	45R5494	2
ATI HD 2600XT 512MB 128BIT ATX (models)	43C0261	2
IEEE 1394 Firewire Adapter SFF (models)	41D2781	2
IEEE 1394 Firewire Adapter ATX (models)	41D2781	2
Soft Modem V.90/V.44 SFF (models)	29R9729	2
Soft Modem V.90/V.44 ATX (models)	29R9729	2
ATI HD 2400PRO 128MB 64BIT DMS59 LP (models)	43C0259	2
ATI HD 2400PRO 128MB 64BIT DMS59 ATX (models)	43C0259	2
ATI HD 2400XT 256MB 64BIT DMS59 LP Secondary (models)	64Y3997	2
HD 3470 256M 64bit DP LP (models)	64Y4498	2
Speaker Power brick - US, Canada, LA low voltage, ASEAN (models AAU)	89P8571	1
Speaker Power brick - LA high voltage (non-APU) (models)	89P8575	1
Speaker Power brick - SIMPLIFIED -CHN, Thailand EMEA (models AAG AAC)	89P8581	1
Speaker Power brick - Japan (models)	89P8577	1
Speaker Power brick - Brazil (models)	89P8583	1
Speaker Power brick - Argentina (models)	41A4901	1
Speaker Power brick - ANZ (models AAM)	89P8579	1
Speaker Power brick - Korean (models)	41A4903	1
Speaker Power brick - Hong Kong, EMEA (models AAG)	89P8573	1
Speaker Power brick -TAIWAN-TC (models AAV)	41A4905	1
Speaker Power brick - India, South Africa (models AAQ)	89P8585	1
Dongle DMS Dule DMS-59 to dual VGA Cable (models)	42Y8181	2
Dongle DMS Dule DMS-59 to dual DVI Cable (models)	41X6398	2
Dongle DMS Dule DMS-59 to single VGA & single DVI Cable (models)	42Y8183	2
2-pc external speaker--primary (models)	41A5331	1
2-pc external speaker-secondary (models)	41A5334	1
DVI-I(M)-VGA(F) cord (models)	41R3342	2
Battery 3V- Lithium (models AAU AAF AAS AAP AAL AAD AAY AAG AAM AAA AAQ AAT AAC AAB AAH AAV AAK AAR AAE AAJ)	45C1566	1



<b>3656 Power Cords</b>	<b>FRU#</b>	<b>CRU</b>
Power cord - US (models AAU AAF AAS AAL AAY AAA AAT)	41R3184	1
Power cord - US (models AAU AAF AAS AAL AAY AAA AAT)	41R3185	1
Power cord - China (models AAC)	41R3256	1
Power cord - China (models AAC)	41R3257	1
Power cord - Japanese and Japanese English (models AAE AAJ)	41R3248	1
Power cord - Japanese and Japanese English (models AAE AAJ)	41R3249	1
Power cord - Brazil (Portigese) (models)	41R3270	1
Power cord - Brazil (Portigese) (models)	41R3271	1
Power cord - LA High Volt (APU) (models)	41R3176	1
Power cord - LA High Volt (APU) (models)	41R3177	1
Power cord - ANZ (models)	41R3196	1
Power cord - ANZ (models)	41R3197	1
Power cord - Korea (models)	41R3260	1
Power cord - Korea (models)	41R3261	1
Power cord - UK, Ireland, Singapore, Malaysia, Brunei, Hongkong (models AAB AAH)	41R3224	1
Power cord - UK, Ireland, Singapore, Malaysia, Brunei, Hongkong (models AAB AAH)	41R3225	1
Power cord - Taiwan (models AAV)	41R3278	1
Power cord - Taiwan (models AAV)	41R3279	1
Power cord - Italy (models)	41R3232	1
Power cord - Italy (models)	41R3233	1
Power cord - Indonesia, Laos, Cambodia, Vietnam, Austria, Belgium, Croatia, Czechoslovakia, Finland, France, Germany, Hungary, Netherlands, Norway, Poland, Portugal, Romania, Spain, Sweden (models AAU AAF AAS AAL AAY AAA AAT)	41R3208	1
Power cord - Indonesia, Laos, Cambodia, Vietnam, Austria, Belgium, Croatia, Czechoslovakia, Finland, France, Germany, Hungary, Netherlands, Norway, Poland, Portugal, Romania, Spain, Sweden (models AAU AAF AAS AAL AAY AAA AAT)	41R3209	1
Power cord - Denmark (models AAG)	41R3212	1
Power cord - Denmark (models AAG)	41R3213	1
Power cord - Switzerland (models AAG)	41R3228	1
Power cord - Switzerland (models AAG)	41R3229	1
Power cord - Israel (models AAG)	41R3236	1
Power cord - Israel (models AAG)	41R3237	1
Power cord - South Africa (models AAG AAM AAA)	41R3220	1
Power cord - South Africa (models AAG AAM AAA)	41R3221	1
Power cord - India (models AAQ)	41R3341	1
Power cord - India (models AAQ)	41R3175	1
Power cord - Thailand (models)	43N9029	1
Power cord - Thailand (models)	43N9030	1
Power cord - Brazil (models)	43N9044	1

<b>3656 Windows XP Home Recovery CDs</b>	<b>FRU#</b>	<b>CRU</b>
US English/UK/Asia Pacific (models)	TBD	1
French/French Canadian (models)	TBD	1
Greek (models)	TBD	1
Italy (models)	TBD	1
Brazilian (models)	TBD	1
Spanish/LA (models)	TBD	1
Danish (models)	TBD	1
Dutch (models)	TBD	1
Arabic (models)	TBD	1
SV (Swedish) (models)	TBD	1
Hebrew (models)	TBD	1
Finnish (models)	TBD	1
Norwegian (models)	TBD	1
Polish (models)	TBD	1
Portuguese (models)	TBD	1
Russian (models)	TBD	1
Russian English (models)	TBD	1
Hungarian (models)	TBD	1
Czech (models)	TBD	1
Turkish native (models)	TBD	1
Greek (models)	TBD	1
Japanese (models)	TBD	1
Simplified Chinese (models)	TBD	1
Taiwan-TC (models)	TBD	1
Hong Kong-TC (models)	TBD	1
Korean (models)	TBD	1

<b>3656 Windows XP Pro Recovery CDs</b>	<b>FRU#</b>	<b>CRU</b>
English (models)	64Y5588	1
Japanese (models)	64Y6202	1
Simplified Chinese (models)	64Y5590	1
Spanish (models)	64Y5591	1
French (models)	64Y5592	1
Italian (models)	64Y5593	1
Brazilian Portuguese (models)	64Y5594	1
German (models)	64Y5595	1
Hong Kong (models)	64Y5596	1
Swedish (models)	64Y5597	1
Danish (models)	64Y5598	1

<b>3656 Windows XP Pro Recovery CDs</b>	<b>FRU#</b>	<b>CRU</b>
Norway (models)	64Y5599	1
Finland (models)	64Y5600	1
Arabic (models)	64Y5601	1
Traditional Chinese (models)	64Y5602	1
Russian (models)	64Y5603	1
Polish (models)	64Y5604	1
Hebrew (models)	64Y5605	1
Korea (models)	64Y5606	1
Greek (models)	64Y5607	1
Turkish (models)	64Y5608	1
Dutch (models)	64Y5609	1
Slovenian (models)	64Y5610	1
Hungarian (models)	64Y5611	1
Czech (models)	64Y5612	1
Portuguese (models)	64Y5613	1
Russian English (models)	64Y5614	1
MUI Nordics (EN-DK-FI-NO-SV) (models)	71Y6401	1
MUI Switz (EN-FR-GR-IT) (models)	71Y6402	1
MUI Bel-Lux (EN-FR-GR-NL) (models)	71Y6403	1

<b>3656 Vista Home Basic 32 Recovery CDs</b>	<b>FRU#</b>	<b>CRU</b>
US English (models)	46R8053	1
French (models)	46R8057	1
German (models)	46R8060	1
Spanish (models)	46R8056	1
Brazilian (models)	46R8059	1
Italian (models)	46R8058	1
Japanese (models)	64Y6207	1
Dutch (models)	46R8070	1
Czech (models)	46R8074	1
Polish (models)	46R8065	1
Russian (models)	46R8064	1
Turkish (models)	46R8069	1
Hungarian (models)	46R8073	1
Greek (models)	46R8068	1
Portuguese (models)	46R8077	1
Hong Kong (models)	46R8061	1
Traditional Chinese (models)	46R8063	1
Korean (models)	46R8067	1

<b>3656 Vista Home Basic 32 Recovery CDs</b>	<b>FRU#</b>	<b>CRU</b>
Slovenian (models)	46R8071	1
Russian English (models)	46R8078	1
Hebrew (models)	46R8066	1
Arabic Localized (models)	46R8062	1
Slovakian (models)	46R8075	1
Simplified Chinese (models)	46R8055	1
Serbian-Latin (models)	46R8076	1
Romanian (models)	46R8072	1
Belgium-Luxembourg (models)	53Y4230	1
Switzerland (models)	53Y4231	1
Nordics (models)	53Y4232	1

<b>3656 Vista Business 32 Recovery CDs</b>	<b>FRU#</b>	<b>CRU</b>
US English (models AAU AAL AAG AAM AAA AAQ AAH AAR AAE)	46R8079	1
French (models AAF AAG)	46R8083	1
German (models AAG)	46R8086	1
Spanish (models AAG)	46R8082	1
Brazilian (models)	46R8085	1
Italian (models AAG)	46R8084	1
Japanese (models AAJ)	64Y6205	1
India (models AAU AAL AAG AAM AAA AAQ AAH AAR AAE)	64Y9435	1
Dutch (models AAG)	46R8096	1
Czech (models AAG)	46R8100	1
Polish (models AAG)	46R8091	1
Russian (models AAG)	46R8090	1
Turkish (models AAG)	46R8095	1
Hungarian (models AAG)	46R8099	1
Greek (models AAG)	46R8094	1
Portuguese (models AAG)	46R8103	1
Simplified Chinese (models)	46R8081	1
Hong Kong (models)	46R8087	1
Traditional Chinese (models)	46R8089	1
Korean (models AAK)	46R8093	1
Slovenian (models)	46R8097	1
Russian English (models AAG)	46R8104	1
Romanian (models AAG)	46R8098	1
Sebian-Latin (models)	46R8102	1
Hebrew (models AAG)	46R8092	1
Arabic Localized (models)	46R8088	1

<b>3656 Vista Business 32 Recovery CDs</b>	<b>FRU#</b>	<b>CRU</b>
Slovakian (models AAG)	46R8101	1
Belgium-Luxembourg (models AAU AAL AAG AAM AAA AAQ AAH AAR AAE)	53Y4233	1
Switzerland (models AAU AAL AAG AAM AAA AAQ AAH AAR AAE)	53Y4234	1
Nordics (models AAG)	53Y4235	1

<b>3656 Vista Premium 32 Recovery CDs</b>	<b>FRU#</b>	<b>CRU</b>
US English (models)	46R8141	1
French (models)	46R8143	1
German (models)	46R8144	1
Spanish (models)	46R8145	1
Italian (models)	46R8146	1
Japanese (models)	64Y6208	1
Hong Kong (models)	46R8147	1
Korean (models)	46R8148	1
Athens Vista SP1 MUL 1 P/N's VHP32 (EN FR GR NL) (models)	53Y4236	1
Athens Vista SP1 MUL 2 P/N's VHP32 (EN FR GR IT) (models)	53Y4237	1
Athens Vista SP1 MUL 3P/N's VHP32 (EN DK FI NO SV) (models)	53Y4238	1

<b>3656 Vista Business 64 Recovery CDs</b>	<b>FRU#</b>	<b>CRU</b>
US English (models)	46R8131	1
French (models)	46R8134	1
German (models)	46R8135	1
Japanese (models)	64Y6210	1
Simplified Chinese (models)	46R8133	1

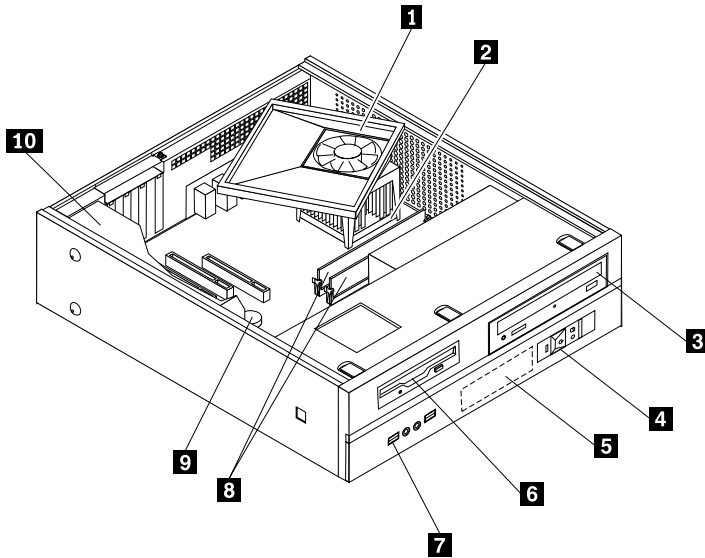
<b>3656 Vista Ultimate 32 Recovery CDs</b>	<b>FRU#</b>	<b>CRU</b>
US English (models)	46R8149	1
Japanese (models)	64Y6209	1
French (models)	46R8151	1
German (models)	46R8152	1
Spanish (models)	46R8153	1
Italian (models)	46R8154	1
Hong Kong (models)	46R8155	1
Arabic Localized (models)	46R8156	1
Athens Vista SP1 MUL 1 P/N's VU32 (EN DK FI NO SV) (models)	53Y4239	1

<b>3656 Vista Starter 32 Recovery CDs</b>	<b>FRU#</b>	<b>CRU</b>
English (models)	46R8052	1

3656 Vista Home Premium 64 Recovery CDs	FRU#	CRU
US (models CTO)	71Y6634	1
French (models CTO)	71Y6635	1

3656 Win7 Professional 32	FRU#	CRU
Brazilian Portuguese (all models)	89Y0454	1

## Machine Type 3658



Item #	3658 FRUs	FRU#	CRU
1	AMD 89W&65W 4Pin heatsink (all models)	41R6407	2
2	Microprocessor, Athlon64 4800+ X2 (2.50GHz, 1M L2, 65W) G1 65nm (models)	43C4093	N
2	Microprocessor, Athlon64 5000+ X2 (2.60GHz, 1M L2, 65W) G1 65nm (models)	41X1427	N
2	Microprocessor, Athlon 1640B (2.70GHz, 512K L2, 45W) G2 65nm (models)	45R6488	N
2	Microprocessor, Athlon64 5200+ AM2 X2 (2.7 GHz processor, 65W) stepping G1 65nm (models)	45C7502	N
2	Microprocessor, Athlon64 5400B X2(2.80GHz, 1M L2, 65W) G2 65nm (modelsF AAU AAF AAS AAP AAL AAD AAY AAG AAM AAA AAQ AAT AAC AAB AAH AAV AAK AAR AAE AAJ)	45R6486	N
2	Microprocessor, Athlon64 5600+ X2 (2.90GHz, 1M L2, 89W) G2 65nm (models)	45C7504	N
2	Microprocessor, Athlon X2 BE 2350 (2.1GHz processor, 45W, 1MB L2) steping G1 (models)	43C6166	N
2	Microprocessor, Athlon X2 BE 2400 (2.3GHz processor, 45W, 1MB L2) steping G1 (models)	43C6165	N
2	Microprocessor, Athlon 4450B X2 (2.30GHz, 1M L2, 45W) G2 65nm (models)	46R3624	N
2	Microprocessor, Athlon 5000B X2 (2.60GHz, 1M L2, 65W) G2 65nm (models)	46R3625	N
2	Microprocessor, Athlon 5200B X2 (2.70GHz, 1M L2, 65W) G2 65nm (models)	46R3626	N
2	Microprocessor, Sempron LE-1250 (2.20GHz, 512K L2, 45W) G2 65nm (models)	43C6168	N

Item #	3658 FRUs	FRU#	CRU
2	Microprocessor, Sempron LE-1300 (2.30GHz, 512K L2, 45W) G2 65nm (models)	43C8986	N
2	Microprocessor, Sempron 2100 X2 (1.80GHz, 512K L2, 65W) G2 65nm (models)	46R3629	N
2	Microprocessor, Sempron 2200 X2 (2.00GHz, 512K L2, 65W) G2 65nm (models)	46R3630	N
2	Microprocessor, Phenom 8600B (2.30GHz, 1.5M L2, 2M L3, 95W) stepping B2 65nm (models)	45R6494	N
2	Microprocessor, Phenom 9550 (2.20GHz, 2M L2, 2M L3, 95W) stepping B3 65nm (models)	45R6496	N
2	Microprocessor, Phenom 9650 (2.30GHz, 2M L2, 2M L3, 95W) stepping B3 65nm (models)	45R6498	N
2	Microprocessor, Phenom 9600B (2.30GHz, 2M L2, 2M L3, 95W) stepping B2 65nm (models)	45R6500	N
2	Microprocessor, Phenom 8450 (2.10GHz, 1.5M L2, 2M L3, 95W) B3 65nm (models)	45R6490	N
2	Microprocessor, Athlon LE-1660 (2.8 GHz, 512K L2, 45W) G2 65nm (models CTO)	53Y7722	N
2	Microprocessor, Athlon X2 5600B (2.9 GHz, 1M L2, 65W) G2 65nm (models CTO)	53Y7718	N
2	Microprocessor, Athlon64 X2 6000+ (3.1 GHz, 1M L2, 89W) G2 65nm (models CTO)	53Y7720	N
2	Microprocessor, Athlon II X2 240 (2.8GHz, 2M Total Cache, AM3, 65W) C2 45nm (models 91Z)	64Y8012	N
2	Microprocessor, Athlon II X2 245 (2.9GHz, 2M Total Cache, AM3, 65W) C2 45nm (models 91Z)	64Y8013	N
2	Microprocessor, Athlon II X3 435 (2.9GHz, 1.5M Total Cache, AM3, 95W) C2 45nm (models 91Z)	64Y8020	N
2	Microprocessor, Phenom II X2 550 (3.1GHz, 7M Total Cache, AM3, 80W) C2 45nm (models 91Z)	64Y8024	N
2	Microprocessor, Phenom II X2 555 (3.2 GHz, 7M Total Cache, AM3, 80W) C3 45nm (models 91Z)	89Y0793	N
2	Microprocessor, Phenom II X3 720 (2.8GHz, 7.5M Total Cache, AM3, 95W) C2 45nm (models 91Z)	64Y8030	N
2	Microprocessor, Phenom II X4 910 (2.6GHz, 8M Total Cache, AM3, 95W) C2 45nm (models 91Z)	64Y8035	N
2	Microprocessor, Sempron X2 2300 (2.2GHz, 512K L2, 65W) G2 65nm (models CTO)	53Y7724	N
2	Microprocessor, Phenom X3 8750B (2.4 GHz, 512K / 2M L2, 95W) B3 65nm (models CTO)	53Y7709	N
2	Microprocessor, Phenom X4 9750B (2.4 GHz, 512K / 2M L2, 95W) B3 65nm (models CTO)	53Y7711	N
2	Microprocessor, Sempron 140 (2.7GHz, 1M Total Cache, AM3, 45W) C2 45nm (models 91Z)	71Y6414	N
3	DVD-ROM Drive - 16x/48x - SATA Vista & non-Vista (models)	41N3325	2
3	DVD Recordable/CD-RW Rambo 8 - SATA Vista & non-Vista (models AAU AAF AAS AAP AAL AAD AAY AAG AAM AAA AAQ AAT AAC AAB AAH AAV AAK AAR AAE AAJ)	43C1042	2
3	DVD-ROM Drive - 16x/48x - With DVD playback software (models)	71Y5543	2
3	DVD-RW/CD-RW Rambo 8 - With write software (models AAU AAF AAS AAP AAL AAD AAY AAG AAM AAA AAQ AAT AAC AAB AAH AAV AAK AAR AAE AAJ)	71Y5545	2
4	Front Power/LED PC, bracket, and cable (all models)	41N8213	2

Item #	3658 FRUs	FRU#	CRU
5	Hard disk drive, 80GB, 7200RPM, SATA (models)	40Y9034	2
5	Hard disk drive, 160GB, 7200RPM, SATA (models AAU AAF AAS AAP AAL AAD AAY AAG AAM AAA AAQ AAT AAC AAB AAH AAV AAK AAR AAE AAJ)	40Y9035	2
5	Hard disk drive, SATA 160GB 7200RPM/3Gb/8MB (models AAU AAF AAS AAP AAL AAD AAY AAG AAM AAA AAQ AAT AAC AAB AAH AAV AAK AAR AAE AAJ)	53Y6837	2
5	Hard disk drive, 250GB, 7200RPM, SATA (models)	40Y9036	2
5	Hard disk drive, SATA 250GB 7200RPM/3Gb/8MB (models)	45K0408	2
5	Hard disk drive, 320GB 7200rpm SATA/8MB (models)	87H4891	2
5	Hard disk drive, SATA 320GB 7200rpm SATA/8MB (models)	45K0409	2
5	Hard disk drive, SATA 500GB 7200RPM/3Gb/s/8MB (models)	41X5582	2
5	Hard disk drive, SATA 500GB 7200RPM/3Gb/s/8MB (models)	45K0410	2
6	Diskette drive, 3.5" 1.44MB 2 Mode FDD with Bezel and cable (models)	40Y9105	2
6	Diskette drive, 3.5" 1.44MB 2 Mode FDD with Bezel and cable (models)	40Y9107	2
7	Front USB/Audio with bracket (all models)	41N8212	2
8	Memory module, 512 MB PC2-5300 (667MHz) DDR2 SDRAM (models)	41X4255	2
8	Memory module, 512MB PC2-6400 (800MHz) DDR2 SDRAM (models)	41X1079	2
8	Memory module, 1GB PC2-6400 (667MHz) DDR2 SDRAM (models AAU AAF AAS AAP AAL AAD AAY AAG AAM AAA AAQ AAT AAC AAB AAH AAV AAK AAR AAE AAJ)	41X1080	2
8	Memory module, 2GB PC2-6400 (667MHz) DDR2 SDRAM (models)	41X1081	2
9	System board, Planar AMD RS780 mATX (TOWER & ROCKYS) (models AAU AAF AAS AAP AAL AAD AAY AAG AAM AAA AAQ AAT AAC AAB AAH AAV AAK AAR AAE AAJ)	71Y5724	N
9	System board, Planar AMD RS780 mATX GA Level - TPM Disable for Russia (models AAG)	71Y4994	N
9	System board, Planar AMD RS780 mATX GA Level - Support Phenom II X2 555 (models 91Z)	89Y1346	N
9	System board, Planar AMD RS780 mATX GA Level -Support Win7 and AM3 C2 CPU (models 91Z)	89Y1809	N
10	Power Supply, ATX 280 Watt world wide (models AAU AAF AAS AAP AAL AAD AAY AAG AAM AAA AAQ AAT AAC AAB AAH AAV AAK AAR)	41A9684	2
10	Power Supply, ATX 280 Watt 80% world wide and Japan (models AAU AAF AAS AAP AAL AAD AAY AAG AAM AAA AAQ AAT AAC AAB AAH AAV AAK AAR AAE AAJ)	41A9665	2
10	Power Supply, ATX 310 Watt world wide and Japan (models AAU AAF AAS AAP AAL AAD AAY AAG AAM AAA AAQ AAT AAC AAB AAH AAV AAK AAR AAE AAJ)	41A9726	2
10	Power Supply, 220 Watt world wide (models AAU AAF AAS AAP AAL AAD AAY AAG AAM AAA AAQ AAT AAC AAB AAH AAV AAK AAR)	41A9689	N
10	Power Supply, 220 Watt only for Japan (models AAE AAJ)	41A9697	N
10	Power Supply, 220 Watt 80% world wide and Japan (models AAU AAF AAS AAP AAL AAD AAY AAG AAM AAA AAQ AAT AAC AAB AAH AAV AAK AAR)	41A9670	N
10	Power Supply, 280 Watt TFX Active PFC, world wide and Japan (models AAU AAF AAS AAP AAL AAD AAY AAG AAM AAA AAQ AAT AAC AAB AAH AAV AAK AAR)	41A9705	N

The FRUs listed in the following tables are not illustrated.



<b>3658 FRUs</b>	<b>FRU#</b>	<b>CRU</b>
Fru rear IO shield ATX,for RX 780,Atlantic (all models)	41R6383	N
FDD Cable (all models)	41A7147	2
Cabel-SATA 250mm (RoHS) (all models)	43N9012	2
EMC Shield, Blank 5.25 (all models)	41N8271	2
EMC Shield, Blank FDD (all models)	41N8273	2
Cover, Rocky S3 (all models)	41N8204	2
Mechanical shell kit Rocky S4 (all models)	43N9374	N
Bezel kit, Rocky S3 without IBM logo (all models)	41R6238	2
Misc Hardware Kit (all models)	41N8209	2
HDD Bracket Asm (plastic and grommets) (all models)	41N8210	2
HDD Fan and bracket asm (all models)	41R6325	2
Speaker Cable Asm, 600 mm cable length (all models)	41N8217	2
Rear Com2 cable II LP (all models)	42Y8008	2
Rear USB 2Ports II LP (all models)	42Y8006	2
Foot stand ASM for ACE rocky S3 (all models)	41R4813	1
Instruction switch Asm (all models)	41R6208	2
RM Asm, AMD (all models)	41R2507	N
Temp Sense Cable (165 mm) (all models)	43N9079	2
Fru-Cable, MINI,COM2 CABLE(ROHS) (all models)	41R6198	2

<b>3658 Keyboards (Lenovo Preferred Pro USB -- without hub)</b>	<b>FRU#</b>	<b>CRU Tier</b>
USB FULL--US English (models AAU AAL AAG AAM AAA AAQ AAH AAR AAE)	41A5289	1
USB FULL--Arabic (models AAG)	41A5290	1
USB FULL--Arabic/French (models AAG)	41A5291	1
USB FULL--Belgian/French (models AAG)	41A5292	1
USB FULL--Belgium English (models AAG)	41A5293	1
USB FULL--Brazilian Portuguese (models AAG)	41A5294	1
USB FULL--Bulgarian (models AAG)	41A5295	1
USB FULL--Chinese/US (models AAB AAV)	41A5296	1
USB FULL--Czech (ABB) (models AAG)	41A5297	1
USB FULL--Danish (models AAG)	41A5298	1
USB FULL--Dutch (models AAG)	41A5299	1
USB FULL--French (models AAG)	41A5300	1
USB FULL--French Canadian (models AAF AAG)	41A5301	1
USB FULL--French Canadian (models AAF AAG)	41A5302	1
USB FULL--German (models AAG)	41A5303	1
USB FULL--Greek (models AAG)	41A5304	1
USB FULL--Greek/US (models AAG)	41A5305	1

<b>3658 Keyboards (Lenovo Preferred Pro USB -- without hub)</b>	<b>FRU#</b>	<b>CRU Tier</b>
USB FULL--Hebrew (models AAG)	41A5306	1
USB FULL--Hungarian (models AAG)	41A5307	1
USB FULL--Iceland (models AAG)	41A5308	1
USB FULL--Italy (models AAG)	41A5309	1
USB FULL--Japanese (models AAJ)	41A5310	1
USB FULL--Korean (models AAK)	41A5311	1
USB FULL--LA Spanish (models AAS AAD AAY)	41A5312	1
USB FULL--Norwegian (models AAG)	41A5313	1
USB FULL--Polish (models AAG)	41A5314	1
USB FULL--Portugese (models AAG)	41A5315	1
USB FULL--Romanian (models AAG)	41A5317	1
USB FULL--Russian/Cyrillic (models AAG)	41A5318	1
USB FULL--Serbian/Cyrillic (models AAG)	41A5319	1
USB FULL--Slovak (models AAG)	41A5320	1
USB FULL--Spanish (models AAG)	41A5321	1
USB FULL--Swedish/Finnish (models AAG)	41A5322	1
USB FULL--Swiss F/G (models AAG)	41A5323	1
USB FULL--Thailand (models AAT)	41A5324	1
USB FULL--Turkish (models AAG)	41A5325	1
USB FULL--Turkish (models AAG)	41A5326	1
USB FULL--UK English (models AAG)	41A5327	1
USB FULL--US Euro (models AAG)	41A5328	1
USB FULL--Slovenian (models AAG)	41A5329	1

<b>3658 Keyboards (Lenovo Fingerprint Reader USB)</b>	<b>FRU#</b>	<b>CRU Tier</b>
US English (models)	41R0038	1
Arabic (models)	41R0039	1
Arabic/French (models)	41R0040	1
Belgian/French (models)	41R0041	1
Belgium English (models)	41R0042	1
Brazilian Portuguese (models)	41R0043	1
Bulgarian (models)	41R0044	1
Chinese/US (models)	41R0045	1
Czech (ABB) (models)	41R0046	1
Danish (models)	41R0047	1
Dutch (models)	41R0048	1
French (models)	41R0049	1
French Canadian (models)	41R0050	1

<b>3658 Keyboards (Lenovo Fingerprint Reader USB)</b>	<b>FRU#</b>	<b>CRU Tier</b>
French Canadian (models)	41R0051	1
German (models)	41R0052	1
Greek (models)	41R0053	1
Greek/US (models)	41R0054	1
Hebrew (models)	41R0055	1
Hungarian (models)	41R0056	1
Iceland (models)	41R0057	1
Italy (models)	41R0058	1
Japanese (models)	41R0059	1
Korean (models)	41R0060	1
LA Spanish (models)	41R0061	1
Norwegian (models)	41R0062	1
Polish (models)	41R0063	1
Portuguese (models)	41R0064	1
Romanian (models)	41R0065	1
Romanian (models)	41R0066	1
Russian/Cyrillic (models)	41R0067	1
Serbian/Cyrillic (models)	41R0068	1
Slovak (models)	41R0069	1
Spanish (models)	41R0070	1
Swedish/Finnish (models)	41R0071	1
Swiss F/G (models)	41R0072	1
Thailand (models)	41R0073	1
Turkish (models)	41R0074	1
Turkish (models)	41R0075	1
UK English (models)	41R0076	1
US Euro (models)	41R0077	1
Slovenian (models)	41R0078	1

<b>3658 Keyboards (Lenovo Preferred Pro PS/2 Full Size)</b>	<b>FRU#</b>	<b>CRU Tier</b>
PS/2 Full--US English (models)	41A5039	1
PS/2 Full--Arabic (models)	41A5040	1
PS/2 Full--Arabic/French (models)	41A5041	1
PS/2 Full--Belgian/French (models)	41A5042	1
PS/2 Full--Belgium English (models)	41A5043	1
PS/2 Full--Brazilian Portuguese (models)	41A5044	1
PS/2 Full--Bulgarian (models)	41A5045	1
PS/2 Full--Chinese/US (models)	41A5046	1

<b>3658 Keyboards (Lenovo Preferred Pro PS/2 Full Size)</b>	<b>FRU#</b>	<b>CRU Tier</b>
PS/2 Full--Czech (ABB) (models)	41A5047	1
PS/2 Full--Danish (models)	41A5048	1
PS/2 Full--Dutch (models)	41A5049	1
PS/2 Full--French (models)	41A5050	1
PS/2 Full--French Canadian (models)	41A5051	1
PS/2 Full--French Canadian (models)	41A5052	1
PS/2 Full--German (models)	41A5053	1
PS/2 Full--Greek (models)	41A5054	1
PS/2 Full--Greek/US (models)	41A5080	1
PS/2 Full--Hebrew (models)	41A5055	1
PS/2 Full--Hungarian (models)	41A5056	1
PS/2 Full--Iceland (models)	41A5057	1
PS/2 Full--Italy (models)	41A5058	1
PS/2 Full--Japanese (models)	41A5059	1
PS/2 Full--Korean (models)	41A5060	1
PS/2 Full--LA Spanish (models)	41A5061	1
PS/2 Full--Norwegian (models)	41A5062	1
PS/2 Full--Polish (models)	41A5063	1
PS/2 Full--Portugese (models)	41A5064	1
PS/2 Full--Romanian (models)	41A5065	1
PS/2 Full--Russian/Cyrillic (models)	41A5066	1
PS/2 Full--Serbian/Cyrillic (models)	41A5067	1
PS/2 Full--Slovak (models)	41A5068	1
PS/2 Full--Spanish (models)	41A5069	1
PS/2 Full--Swedish/Finnish (models)	41A5070	1
PS/2 Full--Swiss F/G (models)	41A5071	1
PS/2 Full--Thailand (models)	41A5072	1
PS/2 Full--Turkish (models)	41A5073	1
PS/2 Full--Turkish (models)	41A5074	1
PS/2 Full--UK English (models)	41A5075	1
PS/2 Full--US Euro (models)	41A5076	1
PS/2 Full--Slovenian (models)	41A5077	1

<b>3658 mice</b>	<b>FRU#</b>	<b>CRU</b>
Optical Wheel Mouse OPT (400DPI, USB) (models AAU AAF AAS AAP AAL AAD AAY AAG AAM AAA AAQ AAT AAC AAB AAH AAV AAK AAR AAE AAJ)	41U3013	1
Optical Wheel Mouse OPT (400DPI, USB) (models AAU AAF AAS AAP AAL AAD AAY AAG AAM AAA AAQ AAT AAC AAB AAH AAV AAK AAR AAE AAJ)	41U3030	1
PS/2 Three Button ball mouse scrollpoint (41R0017) (models)	41R0018	1

<b>3658 Adapters and miscellaneous FRUs</b>	<b>FRU#</b>	<b>CRU</b>
Internal USB Memory Card Reader floppy bay (models)	41R3378	2
Internal 20 in 1 USB Memory Card Reader (models)	45R8139	1
NVIDIA GeForce 9300 GE 256M Low Profile (1*DVI) (Rockey) (models)	53Y5823	1
NVIDIA GeForce 9300 GE 256M Full Height (DVI+VGA) (models)	45R5494	2
ATI HD 2600XT 512MB 128BIT ATX (models)	43C0261	2
IEEE 1394 Firewire Adapter SFF (models)	41D2781	2
IEEE 1394 Firewire Adapter ATX (models)	41D2781	2
Soft Modem V.90/V.44 SFF (models)	29R9729	2
Soft Modem V.90/V.44 ATX (models)	29R9729	2
ATI HD 2400PRO 128MB 64BIT DMS59 LP (models)	43C0259	2
ATI HD 2400PRO 128MB 64BIT DMS59 ATX (models)	43C0259	2
ATI HD 2400XT 256MB 64BIT DMS59 LP Secondary (models)	46R4160	2
ATI HD 2400XT 256MB 64BIT DMS59 LP Secondary (rocky) (models)	64Y3997	2
HD 3470 256M 64bit DP LP (models)	64Y4498	2
Speaker Power brick - US, Canada, LA low voltage, ASEAN (models AAU)	89P8571	1
Speaker Power brick - LA high voltage (non-APU) (models)	89P8575	1
Speaker Power brick - SIMPLIFIED -CHN, Thailand EMEA (models AAG AAC)	89P8581	1
Speaker Power brick - Japan (models)	89P8577	1
Speaker Power brick - Brazil (models)	89P8583	1
Speaker Power brick - Argentina (models)	41A4901	1
Speaker Power brick - ANZ (models AAM)	89P8579	1
Speaker Power brick - Korean (models)	41A4903	1
Speaker Power brick - Hong Kong, EMEA (models AAG)	89P8573	1
Speaker Power brick -TAIWAN-TC (models AAV)	41A4905	1
Speaker Power brick - India, South Africa (models AAQ)	89P8585	1
Dongle DMS Dule DMS-59 to dual VGA Cable (models)	42Y8181	2
Dongle DMS Dule DMS-59 to dual DVI Cable (models)	41X6398	2
Dongle DMS Dule DMS-59 to single VGA & single DVI Cable (models)	42Y8183	2
2-pc external speaker--primary (models)	41A5331	1
2-pc external speaker-secondary (models)	41A5334	1
DVI-I(M)-VGA(F) cord (models)	41R3342	2
HD 3470 256M 64bit DP LP (models CTO)	64Y4498	2
DP to DVI dongle (models)	43N9160	2
Bitland 88E8075 1000M PCIE DASH NIC FH (R)(Rocky) (models)	53Y4008	2
AMD Display Port card LP® (Rocky) (models)	53Y4002	2
Battery 3V- Lithium (models AAU AAF AAS AAP AAL AAD AAY AAG AAM AAA AAQ AAT AAC AAB AAH AAV AAK AAR AAE AAJ)	45C1566	1

3658 Power Cords	FRU#	CRU
Power cord - US (models AAU AAF AAS AAL AAY AAA AAT)	41R3184	1
Power cord - US (models AAU AAF AAS AAL AAY AAA AAT)	41R3185	1
Power cord - China (models AAC)	41R3256	1
Power cord - China (models AAC)	41R3257	1
Power cord - Japanese and Japanese English (models AAE AAJ)	41R3248	1
Power cord - Japanese and Japanese English (models AAE AAJ)	41R3249	1
Power cord - Brazil (Portigese) (models)	41R3270	1
Power cord - Brazil (Portigese) (models)	41R3271	1
Power cord - LA High Volt (APU) (models)	41R3176	1
Power cord - LA High Volt (APU) (models)	41R3177	1
Power cord - ANZ (models)	41R3196	1
Power cord - ANZ (models)	41R3197	1
Power cord - Korea (models)	41R3260	1
Power cord - Korea (models)	41R3261	1
Power cord - UK, Ireland, Singapore, Malaysia, Brunei, Hongkong (models AAB AAH)	41R3224	1
Power cord - UK, Ireland, Singapore, Malaysia, Brunei, Hongkong (models AAB AAH)	41R3225	1
Power cord - Taiwan (models AAV)	41R3278	1
Power cord - Taiwan (models AAV)	41R3279	1
Power cord - Italy (models)	41R3232	1
Power cord - Italy (models)	41R3233	1
Power cord - Indonesia, Laos, Cambodia, Vietnam, Austria, Belgium, Croatia, Czechoslovakia, Finland, France, Germany, Hungary, Netherlands, Norway, Poland, Portugal, Romania, Spain, Sweden (models AAU AAF AAS AAL AAY AAA AAT)	41R3208	1
Power cord - Indonesia, Laos, Cambodia, Vietnam, Austria, Belgium, Croatia, Czechoslovakia, Finland, France, Germany, Hungary, Netherlands, Norway, Poland, Portugal, Romania, Spain, Sweden (models AAU AAF AAS AAL AAY AAA AAT)	41R3209	1
Power cord - Denmark (models AAG)	41R3212	1
Power cord - Denmark (models AAG)	41R3213	1
Power cord - Switzerland (models AAG)	41R3228	1
Power cord - Switzerland (models AAG)	41R3229	1
Power cord - Israel (models AAG)	41R3236	1
Power cord - Israel (models AAG)	41R3237	1
Power cord - South Africa (models AAG AAM AAA)	41R3220	1
Power cord - South Africa (models AAG AAM AAA)	41R3221	1
Power cord - India (models AAQ)	41R3341	1
Power cord - India (models AAQ)	41R3175	1
Power cord - Thailand (models)	43N9029	1
Power cord - Thailand (models)	43N9030	1
Power cord - Brazil (models)	43N9044	1

<b>3658 Windows XP Home Recovery CDs</b>	<b>FRU#</b>	<b>CRU</b>
US English/UK/Asia Pacific (models)	TBD	1
French/French Canadian (models)	TBD	1
Greek (models)	TBD	1
Italy (models)	TBD	1
Brazilian (models)	TBD	1
Spanish/LA (models)	TBD	1
Danish (models)	TBD	1
Dutch (models)	TBD	1
Arabic (models)	TBD	1
SV (Swedish) (models)	TBD	1
Hebrew (models)	TBD	1
Finnish (models)	TBD	1
Norwegian (models)	TBD	1
Polish (models)	TBD	1
Portuguese (models)	TBD	1
Russian (models)	TBD	1
Russian English (models)	TBD	1
Hungarian (models)	TBD	1
Czech (models)	TBD	1
Turkish native (models)	TBD	1
Greek (models)	TBD	1
Japanese (models)	TBD	1
Simplified Chinese (models)	TBD	1
Taiwan-TC (models)	TBD	1
Hong Kong-TC (models)	TBD	1
Korean (models)	TBD	1

<b>3658 Windows XP Pro Recovery CDs</b>	<b>FRU#</b>	<b>CRU</b>
English (models)	64Y5588	1
Japanese (models)	64Y6202	1
Simplified Chinese (models)	64Y5590	1
Spanish (models)	64Y5591	1
French (models)	64Y5592	1
Italian (models)	64Y5593	1
Brazilian Portuguese (models)	64Y5594	1
German (models)	64Y5595	1
Hong Kong (models)	64Y5596	1
Swedish (models)	64Y5597	1
Danish (models)	64Y5598	1

<b>3658 Windows XP Pro Recovery CDs</b>	<b>FRU#</b>	<b>CRU</b>
Norway (models)	64Y5599	1
Finland (models)	64Y5600	1
Arabic (models)	64Y5601	1
Traditional Chinese (models)	64Y5602	1
Russian (models)	64Y5603	1
Polish (models)	64Y5604	1
Hebrew (models)	64Y5605	1
Korea (models)	64Y5606	1
Greek (models)	64Y5607	1
Turkish (models)	64Y5608	1
Dutch (models)	64Y5609	1
Slovenian (models)	64Y5610	1
Hungarian (models)	64Y5611	1
Czech (models)	64Y5612	1
Portuguese (models)	64Y5613	1
Russian English (models)	64Y5614	1
MUI Nordics (EN-DK-FI-NO-SV) (models)	71Y6401	1
MUI Switz (EN-FR-GR-IT) (models)	71Y6402	1
MUI Bel-Lux (EN-FR-GR-NL) (models)	71Y6403	1

<b>3658 Vista Home Basic 32 Recovery CDs</b>	<b>FRU#</b>	<b>CRU</b>
US English (models)	46R8053	1
French (models)	46R8057	1
German (models)	46R8060	1
Spanish (models)	46R8056	1
Brazilian (models)	46R8059	1
Italian (models)	46R8058	1
Japanese (models)	64Y6207	1
Dutch (models)	46R8070	1
Czech (models)	46R8074	1
Polish (models)	46R8065	1
Russian (models)	46R8064	1
Turkish (models)	46R8069	1
Hungarian (models)	46R8073	1
Greek (models)	46R8068	1
Portuguese (models)	46R8077	1
Hong Kong (models)	46R8061	1
Traditional Chinese (models)	46R8063	1
Korean (models)	46R8067	1



<b>3658 Vista Home Basic 32 Recovery CDs</b>	<b>FRU#</b>	<b>CRU</b>
Slovenian (models)	46R8071	1
Russian English (models)	46R8078	1
Hebrew (models)	46R8066	1
Arabic Localized (models)	46R8062	1
Slovakian (models)	46R8075	1
Simplified Chinese (models)	46R8055	1
Serbian-Latin (models)	46R8076	1
Romanian (models)	46R8072	1
Belgium-Luxembourg (models)	53Y4230	1
Switzerland (models)	53Y4231	1
Nordics (models)	53Y4232	1

<b>3658 Vista Business 32 Recovery CDs</b>	<b>FRU#</b>	<b>CRU</b>
US English (models AAU AAL AAG AAM AAA AAQ AAH AAR AAE)	46R8079	1
French (models AAF AAG)	46R8083	1
German (models AAG)	46R8086	1
Spanish (models AAG)	46R8082	1
Brazilian (models)	46R8085	1
Italian (models AAG)	46R8084	1
Japanese (models AAJ)	64Y6205	1
English for Indian (models AAU AAL AAG AAM AAA AAQ AAH AAR AAE)	64Y9435	1
Dutch (models AAG)	46R8096	1
Czech (models AAG)	46R8100	1
Polish (models AAG)	46R8091	1
Russian (models AAG)	46R8090	1
Turkish (models AAG)	46R8095	1
Hungarian (models AAG)	46R8099	1
Greek (models AAG)	46R8094	1
Portuguese (models AAG)	46R8103	1
Simplified Chinese (models)	46R8081	1
Hong Kong (models)	46R8087	1
Traditional Chinese (models)	46R8089	1
Korean (models AAK)	46R8093	1
Slovenian (models)	46R8097	1
Russian English (models AAG)	46R8104	1
Romanian (models AAG)	46R8098	1
Sebian-Latin (models)	46R8102	1
Hebrew (models AAG)	46R8092	1
Arabic Localized (models)	46R8088	1

<b>3658 Vista Business 32 Recovery CDs</b>	<b>FRU#</b>	<b>CRU</b>
Slovakian (models AAG)	46R8101	1
Belgium-Luxembourg (models AAU AAL AAG AAM AAA AAQ AAH AAR AAE)	53Y4233	1
Switzerland (models AAU AAL AAG AAM AAA AAQ AAH AAR AAE)	53Y4234	1
Nordics (models AAG)	53Y4235	1

<b>3658 Vista Premium 32 Recovery CDs</b>	<b>FRU#</b>	<b>CRU</b>
US English (models)	46R8141	1
French (models)	46R8143	1
German (models)	46R8144	1
Spanish (models)	46R8145	1
Italian (models)	46R8146	1
Japanese (models)	64Y6208	1
Hong Kong (models)	46R8147	1
Korean (models)	46R8148	1
Athens Vista SP1 MUL 1 P/N's VHP32 (EN FR GR NL) (models)	53Y4236	1
Athens Vista SP1 MUL 2 P/N's VHP32 (EN FR GR IT) (models)	53Y4237	1
Athens Vista SP1 MUL 3P/N's VHP32 (EN DK FI NO SV) (models)	53Y4238	1

<b>3658 Vista Business 64 Recovery CDs</b>	<b>FRU#</b>	<b>CRU</b>
US English (models)	46R8131	1
French (models)	46R8134	1
German (models)	46R8135	1
Japanese (models)	64Y6210	1
Simplified Chinese (models)	46R8133	1

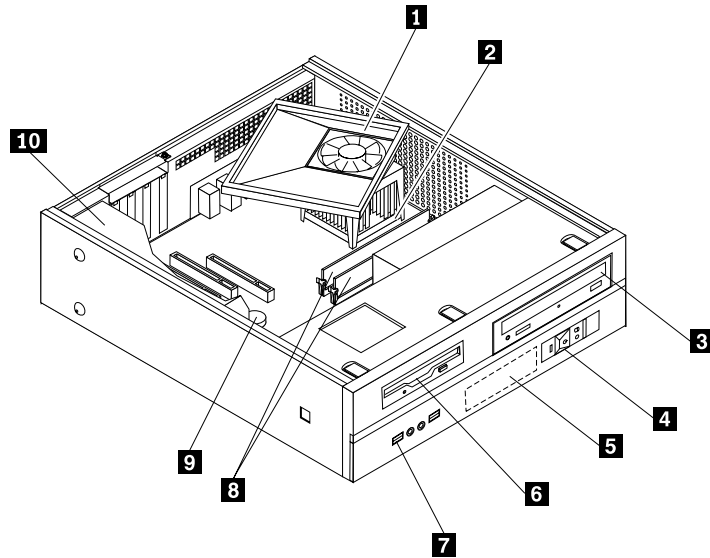
<b>3658 Vista Ultimate 32 Recovery CDs</b>	<b>FRU#</b>	<b>CRU</b>
US English (models)	46R8149	1
Japanese (models)	64Y6209	1
French (models)	46R8151	1
German (models)	46R8152	1
Spanish (models)	46R8153	1
Italian (models)	46R8154	1
Hong Kong (models)	46R8155	1
Arabic Localized (models)	46R8156	1
Athens Vista SP1 MUL 1 P/N's VU32 (EN DK FI NO SV) (models)	53Y4239	1

<b>3658 Vista Starter 32 Recovery CDs</b>	<b>FRU#</b>	<b>CRU</b>
English (models)	46R8052	1

3658 Vista Home Premium 64 Recovery CDs	FRU#	CRU
US (models)	71Y6634	1
French (models)	71Y6635	1

3658 Win7 Professional 32	FRU#	CRU
Brazilian Portuguese (all models)	89Y0454	1

## Machine Type 7057



Item #	7057 FRUs	FRU#	CRU
1	AMD 89W&65W 4Pin heatsink (all models)	41R6407	2
2	Microprocessor, Athlon64 4800+ X2 (2.50GHz, 1M L2, 65W) G1 65nm (models)	43C4093	N
2	Microprocessor, Athlon64 5000+ X2 (2.60GHz, 1M L2, 65W) G1 65nm (models A6G A2U A2F)	41X1427	N
2	Microprocessor, Athlon 1640B (2.70GHz, 512K L2, 45W) G2 65nm (models A5G A3U A3F A8S A8P A8D A8Y CTO)	45R6488	N
2	Microprocessor, Athlon64 5200+ AM2 X2 (2.7 GHz processor, 65W) stepping G1 65nm (models)	45C7502	N
2	Microprocessor, Athlon64 5400B X2(2.80GHz, 1M L2, 65W) G2 65nm (models B7U B7F)	45R6486	N
2	Microprocessor, Athlon64 5600+ X2 (2.90GHz, 1M L2, 89W) G2 65nm (models CTO)	45C7504	N
2	Microprocessor, Athlon X2 BE 2350 (2.1GHz processor, 45W, 1MB L2) steping G1 (models)	43C6166	N
2	Microprocessor, Athlon X2 BE 2400 (2.3GHz processor, 45W, 1MB L2) steping G1 (models)	43C6165	N
2	Microprocessor, Athlon 4450B X2 (2.30GHz, 1M L2, 45W) G2 65nm (models BBU BBF B9G)	46R3624	N
2	Microprocessor, Athlon 5000B X2 (2.60GHz, 1M L2, 65W) G2 65nm (models A6G A2U A2F B5U B5F B6U B6F)	46R3625	N

Item #	7057 FRUs	FRU#	CRU
2	Microprocessor, Athlon 5200B X2 (2.70GHz, 1M L2, 65W) G2 65nm (models CTO)	46R3626	N
2	Microprocessor, Sempron LE-1250 (2.20GHz, 512K L2, 45W) G2 65nm (models CTO)	43C6168	N
2	Microprocessor, Sempron LE-1300 (2.30GHz, 512K L2, 45W) G2 65nm (models A4G A7S A7P A7D A7Y )	43C8986	N
2	Microprocessor, Sempron 2100 X2 (1.80GHz, 512K L2, 65W) G2 65nm (models)	46R3629	N
2	Microprocessor, Sempron 2200 X2 (2.00GHz, 512K L2, 65W) G2 65nm (models)	46R3630	N
2	Microprocessor, Phenom 8600B (2.30GHz, 1.5M L2, 2M L3, 95W) stepping B2 65nm (models A9G A1U A1F)	45R6494	N
2	Microprocessor, Phenom 9550 (2.20GHz, 2M L2, 2M L3, 95W) stepping B3 65nm (models CTO)	45R6496	N
2	Microprocessor, Phenom 9650 (2.30GHz, 2M L2, 2M L3, 95W) stepping B3 65nm (models CTO)	45R6498	N
2	Microprocessor, Phenom 9600B (2.30GHz, 2M L2, 2M L3, 95W) stepping B2 65nm (models)	45R6500	N
2	Microprocessor, Phenom 8450 (2.10GHz, 1.5M L2, 2M L3, 95W) B3 65nm (models B1M B1A B1Q B1T B1K B8U B8F)	45R6490	N
2	Microprocessor, Athlon LE-1660 (2.8 GHz, 512K L2, 45W) G2 65nm (models CTO)	53Y7722	N
2	Microprocessor, Athlon X2 5600B (2.9 GHz, 1M L2, 65W) G2 65nm (models CTO)	53Y7718	N
2	Microprocessor, Athlon II X2 240 (2.8GHz, 2M Total Cache, AM3, 65W) C2 45nm (models 91Z)	64Y8012	N
2	Microprocessor, Athlon II X2 245 (2.9GHz, 2M Total Cache, AM3, 65W) C2 45nm (models 91Z)	64Y8013	N
2	Microprocessor, Athlon II X3 435 (2.9GHz, 1.5M Total Cache, AM3, 95W) C2 45nm (models 91Z)	64Y8020	N
2	Microprocessor, Phenom II X2 550 (3.1GHz, 7M Total Cache, AM3, 80W) C2 45nm (models 91Z)	64Y8024	N
2	Microprocessor, Phenom II X2 555 (3.2 GHz, 7M Total Cache, AM3, 80W) C3 45nm (models 91Z)	89Y0793	N
2	Microprocessor, Phenom II X3 720 (2.8GHz, 7.5M Total Cache, AM3, 95W) C2 45nm (models 91Z)	64Y8030	N
2	Microprocessor, Phenom II X4 910 (2.6GHz, 8M Total Cache, AM3, 95W) C2 45nm (models 91Z)	64Y8035	N
2	Microprocessor, Athlon64 X2 6000+ (3.1 GHz, 1M L2, 89W) G2 65nm (models CTO)	53Y7720	N
2	Microprocessor, Sempron X2 2300 (2.2GHz, 512K L2, 65W) G2 65nm (models CTO)	53Y7724	N
2	Microprocessor, Sempron X2 2300 (2.2GHz, 512K L2, 65W) G2 65nm (models 91Z)	71Y6414	N
2	Microprocessor, Phenom X3 8750B (2.4 GHz, 512K / 2M L2, 95W) B3 65nm (models CTO)	53Y7709	N
2	Microprocessor, Phenom X4 9750B (2.4 GHz, 512K / 2M L2, 95W) B3 65nm (models CTO)	53Y7711	N
3	DVD-ROM Drive - 16x/48x - SATA Vista & non-Vista (models A4G A3U A3F B5U B5F B8U B8F BBU BBF)	41N3325	2
3	DVD-ROM Drive - 16x/48x - With DVD playback software (models A4G A3U A3F B5U B5F B8U B8F BBU BBF)	71Y5543	2

Item #	7057 FRUs	FRU#	CRU
3	DVD Recordable/CD-RW Rambo 8 - SATA Vista & non-Vista (models B1M B1A B1Q B1T B1K A9G A5G A6G A1U A1F A2U A2F A7S A7P A7D A7Y A8S A8P A8D A8Y B6U B6F B7U B7F B9G)	43C1042	2
3	DVD-ROM Drive - 16x/48x - With DVD playback software(models B1M B1A B1Q B1T B1K A9G A5G A6G A1U A1F A2U A2F A7S A7P A7D A7Y A8S A8P A8D A8Y B6U B6F B7U B7F B9G)	71Y5545	2
4	Front Power/LED PC, bracket, and cable (all models)	41N8213	2
5	Hard disk drive, 80GB, 7200RPM, SATA (models)	40Y9034	2
5	Hard disk drive, 160GB, 7200RPM, SATA (models A9G A4G A5G A6G A1U A1F A2U A2F A3U A3F A7S A7P A7D A7Y A8S A8P A8D A8Y B5U B5F B6U B6F B8U B8F BBU BBF)	40Y9035	2
5	Hard disk drive, SATA 160GB 7200RPM/3Gb/8MB (models A9G A4G A5G A6G A1U A1F A2U A2F A3U A3F A7S A7P A7D A7Y A8S A8P A8D A8Y B5U B5F B6U B6F B8U B8F BBU BBF)	53Y6837	2
5	Hard disk drive, 250GB, 7200RPM, SATA (models B1M B1A B1Q B1T B1K B7U B7F B9G)	40Y9036	2
5	Hard disk drive, SATA 250GB 7200RPM/3Gb/8MB (models B1M B1A B1Q B1T B1K B7U B7F B9G)	45K0408	2
5	Hard disk drive, 320GB 7200rpm SATA/8MB (models)	87H4891	2
5	Hard disk drive, SATA 320GB 7200rpm SATA/8MB (models)	45K0409	2
5	Hard disk drive, SATA 500GB 7200RPM/3Gb/s/8MB (models)	41X5582	2
5	Hard disk drive, SATA 500GB 7200RPM/3Gb/s/8MB (models)	45K0410	2
6	Diskette drive, 3.5" 1.44MB 2 Mode FDD with Bezel and cable (models)	40Y9105	2
6	Diskette drive, 3.5" 1.44MB 2 Mode FDD with Bezel and cable (models)	40Y9107	2
7	Front USB/Audio with bracket (all models)	41N8212	2
8	Memory module, 512 MB PC2-5300 (667MHz) DDR2 SDRAM (models)	41X4255	2
8	Memory module, 512MB PC2-6400 (800MHz) DDR2 SDRAM (models)	41X1079	2
8	Memory module, 1GB PC2-6400 (667MHz) DDR2 SDRAM (models B1M B1A B1Q B1T B1K A9G A4G A5G A6G A1U A1F A2U A2F A3U A3F)	41X1080	2
8	Memory module, 2GB PC2-6400 (667MHz) DDR2 SDRAM (models)	41X1081	2
9	System board, Planar AMD RS780 mATX (TOWER & ROCKYS) (models B1M B1A B1Q B1T B1K A9G A4G A5G A6G A1U A1F A2U A2F A3U A3F A7S A7P A7D A7Y A8S A8P A8D A8Y B5U B5F B6U B6F B7U B7F B8U B8F BBU BBF B9G)	71Y5724	N
9	System board, Planar AMD RS780 mATX GA Level - TPM Disable for Russia (models A9G A4G A5G A6G B9G)	71Y4994	N
9	System board, Planar AMD RS780 mATX GA Level - Support Phenom II X2 555 (models 91Z)	89Y1346	N
9	System board, Planar AMD RS780 mATX GA Level -Support Win7 and AM3 C2 CPU (models 91Z)	89Y1809	N
10	Power Supply, ATX 280 Watt world wide (models B1M B1A B1Q B1T B1K A9G A4G A5G A6G A1U A1F A2U A2F A3U A3F A7S A7P A7D A7Y A8S A8P A8D A8Y B5U B5F B6U B6F B7U B7F B8U B8F BBU BBF B9G)	41A9684	2
10	Power Supply, ATX 280 Watt 80% world wide and Japan (models B1M B1A B1Q B1T B1K A9G A4G A5G A6G A1U A1F A2U A2F A3U A3F A7S A7P A7D A7Y A8S A8P A8D A8Y B5U B5F B6U B6F B7U B7F B8U B8F BBU BBF B9G)	41A9665	2

Item #	7057 FRUs	FRU#	CRU
10	Power Supply, ATX 310 Watt world wide and Japan (models B1M B1A B1Q B1T B1K A9G A4G A5G A6G A1U A1F A2U A2F A3U A3F A7S A7P A7D A7Y A8S A8P A8D A8Y B5U B5F B6U B6F B7U B7F B8U B8F BBU BBF B9G)	41A9726	2
10	Power Supply, 220 Watt world wide (models B1M B1A B1Q B1T B1K A9G A4G A5G A6G A1U A1F A2U A2F A3U A3F A7S A7P A7D A7Y A8S A8P A8D A8Y B5U B5F B6U B6F B7U B7F B8U B8F BBU BBF B9G)	41A9689	N
10	Power Supply, 220 Watt only for Japan (models)	41A9697	N
10	Power Supply, 220 Watt 80% world wide and Japan (models B1M B1A B1Q B1T B1K A9G A4G A5G A6G A1U A1F A2U A2F A3U A3F A7S A7P A7D A7Y A8S A8P A8D A8Y B5U B5F B6U B6F B7U B7F B8U B8F BBU BBF B9G)	41A9670	N
10	Power Supply, 280 Watt TFX Active PFC, world wide and Japan (models B1M B1A B1Q B1T B1K A9G A4G A5G A6G A1U A1F A2U A2F A3U A3F A7S A7P A7D A7Y A8S A8P A8D A8Y B5U B5F B6U B6F B7U B7F B8U B8F BBU BBF B9G)	41A9705	N

The FRUs listed in the following tables are not illustrated.

7057 FRUs	FRU#	CRU
Fru rear IO shield ATX,for RX 780,Atlantic (all models)	41R6383	N
FDD Cable (all models)	41A7147	2
Cabel-SATA 250mm (RoHS) (all models)	43N9012	2
EMC Shield, Blank 5.25 (all models)	41N8271	2
EMC Shield, Blank FDD (all models)	41N8273	2
Cover, Rocky S3 (all models)	41N8204	2
Mechanical shell kit Rocky S4 (all models)	43N9374	N
Bezel kit, Rocky S3 without IBM logo (all models)	41R6238	2
Misc Hardware Kit (all models)	41N8209	2
HDD Bracket Asm (plastic and grommets) (all models)	41N8210	2
HDD Fan and bracket asm (all models)	41R6325	2
Speaker Cable Asm, 600 mm cable length (all models)	41N8217	2
Rear Com2 cable II LP (all models)	42Y8008	2
Rear USB 2Ports II LP (all models)	42Y8006	2
Foot stand ASM for ACE rocky S3 (all models)	41R4813	1
Instruction switch Asm (all models)	41R6208	2
RM Asm, AMD (all models)	41R2507	N
Temp Sense Cable (165 mm) (all models)	43N9079	2
Fru-Cable, MINI,COM2 CABLE(ROHS) (all models)	41R6198	2

7057 Keyboards (Lenovo Preferred Pro USB -- without hub)	FRU#	CRU Tier
USB FULL--US English (models B1M B1A B1Q A9G A4G A5G A6G A1U A2U A3U B5U B6U B7U B8U BBU B9G)	41A5289	1
USB FULL--Arabic (models A9G A4G A5G A6G B9G)	41A5290	1
USB FULL--Arabic/French (models A9G A4G A5G A6G B9G)	41A5291	1

<b>7057 Keyboards (Lenovo Preferred Pro USB -- without hub)</b>	<b>FRU#</b>	<b>CRU Tier</b>
USB FULL--Belgian/French (models A9G A4G A5G A6G)	41A5292	1
USB FULL--Belgium English (models A9G A4G A5G A6G B9G)	41A5293	1
USB FULL--Brazilian Portuguese (models A7P A8P)	41A5294	1
USB FULL--Bulgarian (models A9G A4G A5G A6G B9G)	41A5295	1
USB FULL--Chinese/US (models)	41A5296	1
USB FULL--Czech (ABB) (models A9G A4G A5G A6G B9G)	41A5297	1
USB FULL--Danish (models A9G A4G A5G A6G B9G)	41A5298	1
USB FULL--Dutch (models A9G A4G A5G A6G B9G)	41A5299	1
USB FULL--French (models A9G A4G A5G A6G B9G)	41A5300	1
USB FULL--French Canadian (models A9G A4G A5G A6G A1F A2F A3F B5F B6F B7F B8F BBF B9G)	41A5301	1
USB FULL--French Canadian (models A9G A4G A5G A6G A1F A2F A3F B5F B6F B7F B8F BBF B9G)	41A5302	1
USB FULL--German (models A9G A4G A5G A6G B9G)	41A5303	1
USB FULL--Greek (models A9G A4G A5G A6G B9G)	41A5304	1
USB FULL--Greek/US (models A9G A4G A5G A6G B9G)	41A5305	1
USB FULL--Hebrew (models A9G A4G A5G A6G B9G)	41A5306	1
USB FULL--Hungarian (models A9G A4G A5G A6G B9G)	41A5307	1
USB FULL--Iceland (models A9G A4G A5G A6G B9G)	41A5308	1
USB FULL--Italy (models A9G A4G A5G A6G B9G)	41A5309	1
USB FULL--Japanese (models)	41A5310	1
USB FULL--Korean (models B1K)	41A5311	1
USB FULL--LA Spanish (models A7S A7D A7Y A8S A8D A8Y)	41A5312	1
USB FULL--Norwegian (models A9G A4G A5G A6G B9G)	41A5313	1
USB FULL--Polish (models A9G A4G A5G A6G B9G)	41A5314	1
USB FULL--Portugese (models A9G A4G A5G A6G B9G)	41A5315	1
USB FULL--Romanian (models A9G A4G A5G A6G B9G)	41A5317	1
USB FULL--Russian/Cyrillic (models A9G A4G A5G A6G B9G)	41A5318	1
USB FULL--Serbian/Cyrillic (models A9G A4G A5G A6G B9G)	41A5319	1
USB FULL--Slovak (models A9G A4G A5G A6G B9G)	41A5320	1
USB FULL--Spanish (models A9G A4G A5G A6G B9G)	41A5321	1
USB FULL--Swedish/Finnish (models A9G A4G A5G A6G B9G)	41A5322	1
USB FULL--Swiss F/G (models A4G A5G A6G B9G)	41A5323	1
USB FULL--Thailand (models B1T B2T)	41A5324	1
USB FULL--Turkish (models A9G A4G A5G A6G B9G)	41A5325	1
USB FULL--Turkish (models A9G A4G A5G A6G B9G)	41A5326	1
USB FULL--UK English (models A9G A4G A5G A6G B9G)	41A5327	1
USB FULL--US Euro (models A9G A4G A5G A6G B9G)	41A5328	1
USB FULL--Slovenian (models A9G A4G A5G A6G B9G)	41A5329	1

<b>7057 Keyboards (Lenovo Fingerprint Reader USB)</b>	<b>FRU#</b>	<b>CRU Tier</b>
US English (models)	41R0038	1
Arabic (models)	41R0039	1
Arabic/French (models)	41R0040	1
Belgian/French (models)	41R0041	1
Belgium English (models)	41R0042	1
Brazilian Portuguese (models)	41R0043	1
Bulgarian (models)	41R0044	1
Chinese/US (models)	41R0045	1
Czech (ABB) (models)	41R0046	1
Danish (models)	41R0047	1
Dutch (models)	41R0048	1
French (models)	41R0049	1
French Canadian (models)	41R0050	1
French Canadian (models)	41R0051	1
German (models)	41R0052	1
Greek (models)	41R0053	1
Greek/US (models)	41R0054	1
Hebrew (models)	41R0055	1
Hungarian (models)	41R0056	1
Iceland (models)	41R0057	1
Italy (models)	41R0058	1
Japanese (models)	41R0059	1
Korean (models)	41R0060	1
LA Spanish (models)	41R0061	1
Norwegian (models)	41R0062	1
Polish (models)	41R0063	1
Portuguese (models)	41R0064	1
Romanian (models)	41R0065	1
Romanian (models)	41R0066	1
Russian/Cyrillic (models)	41R0067	1
Serbian/Cyrillic (models)	41R0068	1
Slovak (models)	41R0069	1
Spanish (models)	41R0070	1
Swedish/Finnish (models)	41R0071	1
Swiss F/G (models)	41R0072	1
Thailand (models)	41R0073	1
Turkish (models)	41R0074	1
Turkish (models)	41R0075	1



<b>7057 Keyboards (Lenovo Fingerprint Reader USB)</b>	<b>FRU#</b>	<b>CRU Tier</b>
UK English (models)	41R0076	1
US Euro (models)	41R0077	1
Slovenian (models)	41R0078	1

<b>7057 Keyboards (Lenovo Preferred Pro PS/2 Full Size)</b>	<b>FRU#</b>	<b>CRU Tier</b>
PS/2 Full--US English (models)	41A5039	1
PS/2 Full--Arabic (models)	41A5040	1
PS/2 Full--Arabic/French (models)	41A5041	1
PS/2 Full--Belgian/French (models)	41A5042	1
PS/2 Full--Belgium English (models)	41A5043	1
PS/2 Full--Brazilian Portuguese (models)	41A5044	1
PS/2 Full--Bulgarian (models)	41A5045	1
PS/2 Full--Chinese/US (models)	41A5046	1
PS/2 Full--Czech (ABB) (models)	41A5047	1
PS/2 Full--Danish (models)	41A5048	1
PS/2 Full--Dutch (models)	41A5049	1
PS/2 Full--French (models)	41A5050	1
PS/2 Full--French Canadian (models)	41A5051	1
PS/2 Full--French Canadian (models)	41A5052	1
PS/2 Full--German (models)	41A5053	1
PS/2 Full--Greek (models)	41A5054	1
PS/2 Full--Greek/US (models)	41A5080	1
PS/2 Full--Hebrew (models)	41A5055	1
PS/2 Full--Hungarian (models)	41A5056	1
PS/2 Full--Iceland (models)	41A5057	1
PS/2 Full--Italy (models)	41A5058	1
PS/2 Full--Japanese (models)	41A5059	1
PS/2 Full--Korean (models)	41A5060	1
PS/2 Full--LA Spanish (models)	41A5061	1
PS/2 Full--Norwegian (models)	41A5062	1
PS/2 Full--Polish (models)	41A5063	1
PS/2 Full--Portugese (models)	41A5064	1
PS/2 Full--Romanian (models)	41A5065	1
PS/2 Full--Russian/Cyrillic (models)	41A5066	1
PS/2 Full--Serbian/Cyrillic (models)	41A5067	1
PS/2 Full--Slovak (models)	41A5068	1
PS/2 Full--Spanish (models)	41A5069	1
PS/2 Full--Swedish/Finnish (models)	41A5070	1

<b>7057 Keyboards (Lenovo Preferred Pro PS/2 Full Size)</b>	<b>FRU#</b>	<b>CRU Tier</b>
PS/2 Full--Swiss F/G (models)	41A5071	1
PS/2 Full--Thailand (models)	41A5072	1
PS/2 Full--Turkish (models)	41A5073	1
PS/2 Full--Turkish (models)	41A5074	1
PS/2 Full--UK English (models)	41A5075	1
PS/2 Full--US Euro (models)	41A5076	1
PS/2 Full--Slovenian (models)	41A5077	1

<b>7057 mice</b>	<b>FRU#</b>	<b>CRU</b>
Optical Wheel Mouse OPT (400DPI, USB) (models B1M B1A B1Q B1T B1K A9G A4G A5G A6G A1U A1F A2U A2F A3U A3F A7S A7P A7D A7Y A8S A8P A8D A8Y B5U B5F B6U B6F B7U B7F B8U B8F BBU BBF B9G)	41U3013	1
Optical Wheel Mouse OPT (400DPI, USB) (models B1M B1A B1Q B1T B1K A9G A4G A5G A6G A1U A1F A2U A2F A3U A3F A7S A7P A7D A7Y A8S A8P A8D A8Y B5U B5F B6U B6F B7U B7F B8U B8F BBU BBF B9G)	41U3030	1
PS/2 Three Button ball mouse scrollpoint (41R0017) (models)	41R0018	1

<b>7057 Adapters and miscellaneous FRUs</b>	<b>FRU#</b>	<b>CRU</b>
Internal USB Memory Card Reader floppy bay (models)	41R3378	2
Internal 20 in 1 USB Memory Card Reader (models CTO)	45R8139	1
NVIDIA GeForce 9300 GE 256M Low Profile (1*DVI) (Rockey) (models CTO)	53Y5823	1
ATI HD 2600XT 512MB 128BIT ATX (models)	43C0261	2
IEEE 1394 Firewire Adapter SFF (models)	41D2781	2
IEEE 1394 Firewire Adapter ATX (models)	41D2781	2
Soft Modem V.90/V.44 SFF (models)	29R9729	2
Soft Modem V.90/V.44 ATX (models)	29R9729	2
ATI HD 2400PRO 128MB 64BIT DMS59 LP (models)	43C0259	2
ATI HD 2400PRO 128MB 64BIT DMS59 ATX (models)	43C0259	2
ATI HD 2400XT 256MB 64BIT DMS59 LP Secondary (models)	46R4160	2
ATI HD 2400XT 256MB 64BIT DMS59 LP Secondary (rocky) (models)	64Y3997	2
HD 3470 256M 64bit DP LP (models)	64Y4498	2
Speaker Power brick - US, Canada, LA low voltage, ASEAN (models A1U A2U A3U B5U B6U B7U B8U BBU)	89P8571	1
Speaker Power brick - LA high voltage (non-APU) (models)	89P8575	1
Speaker Power brick - SIMPLIFIED -CHN, Thailand EMEA (models A9G A4G A5G A6G B9G)	89P8581	1
Speaker Power brick - Japan (models)	89P8577	1
Speaker Power brick - Brazil (models)	89P8583	1
Speaker Power brick - Argentina (models)	41A4901	1
Speaker Power brick - ANZ (models B1M)	89P8579	1
Speaker Power brick - Korean (models)	41A4903	1

<b>7057 Adapters and miscellaneous FRUs</b>	<b>FRU#</b>	<b>CRU</b>
Speaker Power brick - Hong Kong, EMEA (models A9G A4G A5G A6G B9G)	89P8573	1
Speaker Power brick -TAIWAN-TC (models)	41A4905	1
Speaker Power brick - India, South Africa (models B1Q)	89P8585	1
Dongle DMS Dule DMS-59 to dual VGA Cable (models)	42Y8181	2
Dongle DMS Dule DMS-59 to dual DVI Cable (models)	41X6398	2
Dongle DMS Dule DMS-59 to single VGA & single DVI Cable (models)	42Y8183	2
2-pc external speaker--primary (models)	41A5331	1
2-pc external speaker-secondary (models)	41A5334	1
DVI-I(M)-VGA(F) cord (models CTO)	41R3342	2
Battery 3V- Lithium (models B1M B1A B1Q B1T B1K A9G A4G A5G A6G A1U A1F A2U A2F A3U A3F A7S A7P A7D A7Y A8S A8P A8D A8Y B5U B5F B6U B6F B7U B7F B8U B8F BBU BBF B9G)	45C1566	1

<b>7057 Power Cords</b>	<b>FRU#</b>	<b>CRU</b>
Power cord - US (models B1A B1T A1U A1F A2U A2F A3U A3F A7S A7Y A8S A8Y B5U B5F B6U B6F B7U B7F B8U B8F BBU BBF)	41R3184	1
Power cord - US (models B1A B1T A1U A1F A2U A2F A3U A3F A7S A7Y A8S A8Y B5U B5F B6U B6F B7U B7F B8U B8F BBU BBF)	41R3185	1
Power cord - China (models)	41R3256	1
Power cord - China (models)	41R3257	1
Power cord - Japanese and Japanese English (models)	41R3248	1
Power cord - Japanese and Japanese English (models)	41R3249	1
Power cord - Brazil (Portigese) (models)	41R3270	1
Power cord - Brazil (Portigese) (models)	41R3271	1
Power cord - LA High Volt (APU) (models)	41R3176	1
Power cord - LA High Volt (APU) (models)	41R3177	1
Power cord - ANZ (models)	41R3196	1
Power cord - ANZ (models)	41R3197	1
Power cord - Korea (models)	41R3260	1
Power cord - Korea (models)	41R3261	1
Power cord - UK, Ireland, Singapore, Malaysia, Brunei, Hongkong (models)	41R3224	1
Power cord - UK, Ireland, Singapore, Malaysia, Brunei, Hongkong (models)	41R3225	1
Power cord - Taiwan (models)	41R3278	1
Power cord - Taiwan (models)	41R3279	1
Power cord - Italy (models)	41R3232	1
Power cord - Italy (models)	41R3233	1
Power cord - Indonesia, Laos, Cambodia, Vietnam, Austria, Belgium, Croatia, Czechoslovakia, Finland, France, Germany, Hungary, Netherlands, Norway, Poland, Portugal, Romania, Spain, Sweden (models B1A B1T A1U A1F A2U A2F A3U A3F A7S A7Y A8S A8Y B5U B5F B6U B6F B7U B7F B8U B8F BBU BBF)	41R3208	1

<b>7057 Power Cords</b>	<b>FRU#</b>	<b>CRU</b>
Power cord - Indonesia, Laos, Cambodia, Vietnam, Austria, Belgium, Croatia, Czechoslovakia, Finland, France, Germany, Hungary, Netherlands, Norway, Poland, Portugal, Romania, Spain, Sweden (models B1A B1T A1U A1F A2U A2F A3U A3F A7S A7Y A8S A8Y B5U B5F B6U B6F B7U B7F B8U B8F BBU BBF)	41R3209	1
Power cord - Denmark (models A9G A4G A5G A6G B9G)	41R3212	1
Power cord - Denmark (models A9G A4G A5G A6G B9G)	41R3213	1
Power cord - Switzerland (models A9G A4G A5G A6G B9G)	41R3228	1
Power cord - Switzerland (models A9G A4G A5G A6G B9G)	41R3229	1
Power cord - Israel (models A9G A4G A5G A6G B9G)	41R3236	1
Power cord - Israel (models A9G A4G A5G A6G B9G B9G)	41R3237	1
Power cord - South Africa (models B1M B1A B2M B2A A9G A4G A5G A6G B9G)	41R3220	1
Power cord - South Africa (models B1M B1A B2M B2A A9G A4G A5G A6G B9G)	41R3221	1
Power cord - India (models B1Q)	41R3341	1
Power cord - India (models B1Q)	41R3175	1
Power cord - Thailand (models)	43N9029	1
Power cord - Thailand (models CTO)	43N9030	1
Power cord - Brazil (models)	43N9044	1

<b>7057 Windows XP Home Recovery CDs</b>	<b>FRU#</b>	<b>CRU</b>
US English/UK/Asia Pacific (models)	TBD	1
French/French Canadian (models)	TBD	1
Greek (models)	TBD	1
Italy (models)	TBD	1
Brazilian (models)	TBD	1
Spanish/LA (models)	TBD	1
Danish (models)	TBD	1
Dutch (models)	TBD	1
Arabic (models)	TBD	1
SV (Swedish) (models)	TBD	1
Hebrew (models)	TBD	1
Finnish (models)	TBD	1
Norwegian (models)	TBD	1
Polish (models)	TBD	1
Portuguese (models)	TBD	1
Russian (models)	TBD	1
Russian English (models)	TBD	1
Hungarian (models)	TBD	1
Czech (models)	TBD	1
Turkish native (models)	TBD	1
Greek (models)	TBD	1

<b>7057 Windows XP Home Recovery CDs</b>	<b>FRU#</b>	<b>CRU</b>
Japanese (models)	TBD	1
Simplified Chinese (models)	TBD	1
Taiwan-TC (models)	TBD	1
Hong Kong-TC (models)	TBD	1
Korean (models)	TBD	1

<b>7057 Windows XP Pro Recovery CDs</b>	<b>FRU#</b>	<b>CRU</b>
English (models B5U B6U B7U B8U)	64Y5588	1
Japanese (models)	64Y6202	1
Simplified Chinese (models)	64Y5590	1
Spanish (models)	64Y5591	1
French (models B5F B6F B7F B8F)	64Y5592	1
Italian (models)	64Y5593	1
Brazilian Portuguese (models)	64Y5594	1
German (models)	64Y5595	1
Hong Kong (models)	64Y5596	1
Swedish (models)	64Y5597	1
Danish (models)	64Y5598	1
Norway (models)	64Y5599	1
Finland (models)	64Y5600	1
Arabic (models)	64Y5601	1
Traditional Chinese (models)	64Y5602	1
Russian (models)	64Y5603	1
Polish (models)	64Y5604	1
Hebrew (models)	64Y5605	1
Korea (models)	64Y5606	1
Greek (models)	64Y5607	1
Turkish (models)	64Y5608	1
Dutch (models)	64Y5609	1
Slovenian (models)	64Y5610	1
Hungarian (models)	64Y5611	1
Czech (models)	64Y5612	1
Portuguese (models)	64Y5613	1
Russian English (models)	64Y5614	1
MUI Nordics (EN-DK-FI-NO-SV) (models)	71Y6401	1
MUI Switz (EN-FR-GR-IT) (models)	71Y6402	1
MUI Bel-Lux (EN-FR-GR-NL) (models)	71Y6403	1

<b>7057 Vista Home Basic 32 Recovery CDs</b>	<b>FRU#</b>	<b>CRU</b>
US English (models)	46R8053	1
French (models)	46R8057	1
German (models)	46R8060	1
Spanish (models)	46R8056	1
Brazilian (models)	46R8059	1
Italian (models)	46R8058	1
Japanese (models)	64Y6207	1
Dutch (models)	46R8070	1
Czech (models)	46R8074	1
Polish (models)	46R8065	1
Russian (models)	46R8064	1
Turkish (models)	46R8069	1
Hungarian (models)	46R8073	1
Greek (models)	46R8068	1
Portuguese (models)	46R8077	1
Hong Kong (models)	46R8061	1
Traditional Chinese (models)	46R8063	1
Korean (models)	46R8067	1
Slovenian (models)	46R8071	1
Russian English (models)	46R8078	1
Hebrew (models)	46R8066	1
Arabic Localized (models)	46R8062	1
Slovakian (models)	46R8075	1
Simplified Chinese (models)	46R8055	1
Serbian-Latin (models)	46R8076	1
Romanian (models)	46R8072	1
Belgium-Luxembourg (models)	53Y4230	1
Switzerland (models)	53Y4231	1
Nordics (models)	53Y4232	1

<b>7057 Vista Business 32 Recovery CDs</b>	<b>FRU#</b>	<b>CRU</b>
US English (models B1M B1A B1Q A9G A4G A5G A6G A2U A3U BBU B9G)	46R8079	1
French (models A9G A4G A5G A6G A2F A3F BBF B9G)	46R8083	1
German (models A9G A4G A5G A6G B9G)	46R8086	1
Spanish (models A9G A4G A5G A6G B9G)	46R8082	1
Brazilian (models)	46R8085	1
Italian (models A9G A4G A5G A6G B9G)	46R8084	1
Japanese (models)	64Y6205	1
English for Indian (models)	64Y9435	1

<b>7057 Vista Business 32 Recovery CDs</b>	<b>FRU#</b>	<b>CRU</b>
Dutch (models A9G A4G A5G A6G B9G)	46R8096	1
Czech (models)	46R8100	1
Polish (models A9G A4G A5G A6G B9G)	46R8091	1
Russian (models A9G A4G A5G A6G B9G)	46R8090	1
Turkish (models A9G A4G A5G A6G B9G)	46R8095	1
Hungarian (models A9G A4G A5G A6G B9G)	46R8099	1
Greek (models A9G A4G A5G A6G B9G B9G)	46R8094	1
Portuguese (models A9G A4G A5G A6G B9G)	46R8103	1
Simplified Chinese (models)	46R8081	1
Hong Kong (models)	46R8087	1
Traditional Chinese (models)	46R8089	1
Korean (models B1K)	46R8093	1
Slovenian (models)	46R8097	1
Russian English (models A9G A4G A5G A6G B9G)	46R8104	1
Romanian (models A9G A4G A5G A6G B9G)	46R8098	1
Sebian-Latin (models)	46R8102	1
Hebrew (models A9G A4G A5G A6G B9G)	46R8092	1
Arabic Localized (models)	46R8088	1
Slovakian (models A9G A4G A5G A6G B9G)	46R8101	1
Belgium-Luxembourg (models B1M B1A B1Q A9G A4G A5G A6G A2U A3U BBU B9G)	53Y4233	1
Switzerland (models B1M B1A B1Q A9G A4G A5G A6G A2U A3U BBU B9G)	53Y4234	1
Nordics (models A9G A4G A5G A6G B9G)	53Y4235	1

<b>7057 Vista Premium 32 Recovery CDs</b>	<b>FRU#</b>	<b>CRU</b>
US English (models)	46R8141	1
French (models)	46R8143	1
German (models)	46R8144	1
Spanish (models)	46R8145	1
Italian (models)	46R8146	1
Japanese (models)	64Y6208	1
Hong Kong (models)	46R8147	1
Korean (models)	46R8148	1
Athens Vista SP1 MUL 1 P/N's VHP32 (EN FR GR NL) (models)	53Y4236	1
Athens Vista SP1 MUL 2 P/N's VHP32 (EN FR GR IT) (models)	53Y4237	1
Athens Vista SP1 MUL 3P/N's VHP32 (EN DK FI NO SV) (models)	53Y4238	1

<b>7057 Vista Business 64 Recovery CDs</b>	<b>FRU#</b>	<b>CRU</b>
US English (models)	46R8131	1
French (models A1F)	46R8134	1

<b>7057 Vista Business 64 Recovery CDs</b>	<b>FRU#</b>	<b>CRU</b>
German (models)	46R8135	1
Japanese (models)	64Y6210	1
Simplified Chinese (models)	46R8133	1

<b>7057 Vista Ultimate 32 Recovery CDs</b>	<b>FRU#</b>	<b>CRU</b>
US English (models)	46R8149	1
Japanese (models)	64Y6209	1
French (models)	46R8151	1
German (models)	46R8152	1
Spanish (models)	46R8153	1
Italian (models)	46R8154	1
Hong Kong (models)	46R8155	1
Arabic Localized (models)	46R8156	1
Athens Vista SP1 MUL 1 P/N's VU32 (EN DK FI NO SV) (models)	53Y4239	1

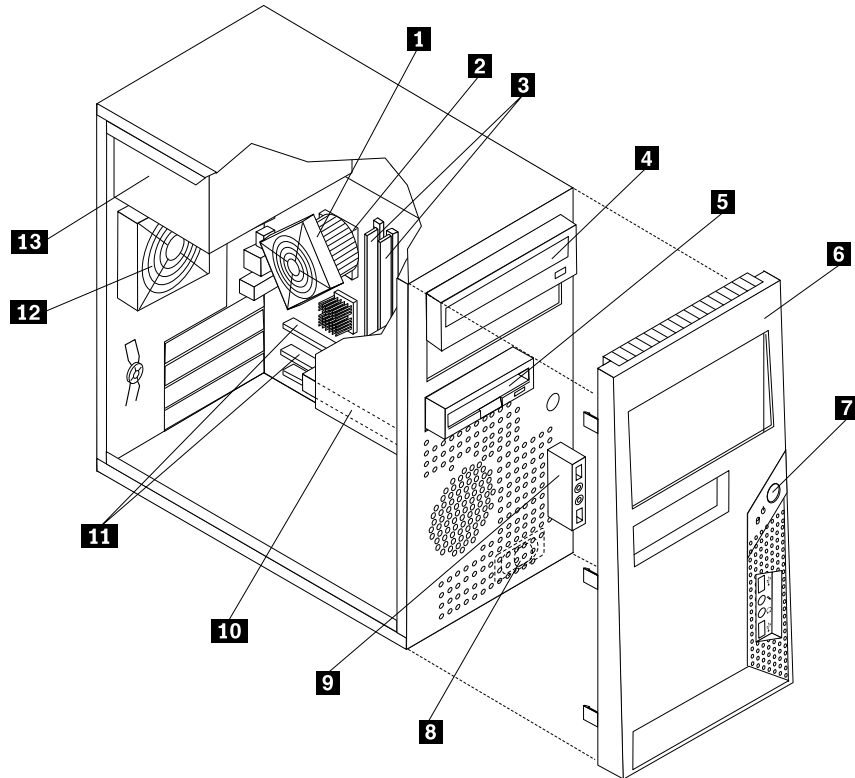
<b>7057 Vista Starter 32 Recovery CDs</b>	<b>FRU#</b>	<b>CRU</b>
English (models)	46R8052	1

<b>7057 Vista Home Premium 64 Recovery CDs</b>	<b>FRU#</b>	<b>CRU</b>
US (models)	71Y6634	1
French (models)	71Y6635	1

<b>7057 Win7 Professional 32</b>	<b>FRU#</b>	<b>CRU</b>
Brazilian Portuguese (all models)	89Y0454	1



## Machine Type 7061



Item #	7061 FRUs	FRU#	CRU
1	AMD 89W&65W 4Pin heatsink (all models)	41R6407	2
2	Microprocessor, Athlon64 4800+ X2 (2.50GHz, 1M L2, 65W) G1 65nm (models)	43C4093	N
2	Microprocessor, Athlon64 5000+ X2 (2.60GHz, 1M L2, 65W) G1 65nm (models)	41X1427	N
2	Microprocessor, Athlon 1640B (2.70GHz, 512K L2, 45W) G2 65nm (models)	45R6488	N
2	Microprocessor, Athlon64 5200+ X2 (2.70GHz, 1M L2, 65W) G1 65nm (models)	45C7502	N
2	Microprocessor, Athlon64 5400B X2(2.80GHz, 1M L2, 65W) G2 65nm (models)	45R6486	N
2	Microprocessor, Athlon64 5600+ X2 (2.90GHz, 1M L2, 89W) G2 65nm (models)	45C7504	N
2	Microprocessor, Athlon BE-2350 X2 (2.10GHz, 1M L2, 45W) G2 65nm (models)	43C6166	N
2	Microprocessor, Athlon BE-2400 X2 (2.30GHz, 1M L2, 45W) G2 65nm (models)	43C6165	N
2	Microprocessor, Athlon 4450B X2 (2.30GHz, 1M L2, 45W) G2 65nm (models)	46R3624	N
2	Microprocessor, Athlon 5000B X2 (2.60GHz, 1M L2, 65W) G2 65nm (models)	46R3625	N
2	Microprocessor, Athlon 5200B X2 (2.70GHz, 1M L2, 65W) G2 65nm (models)	46R3626	N
2	Microprocessor, Athlon LE-1660 (2.8 GHz, 512K L2, 45W) G2 65nm (models)	53Y7722	N
2	Microprocessor, Athlon X2 5600B (2.9 GHz, 1M L2, 65W) G2 65nm (models)	53Y7718	N
2	Microprocessor, Athlon64 X2 6000+ (3.1 GHz, 1M L2, 89W) G2 65nm (models)	53Y7720	N
2	Microprocessor, Sempron LE-1250 (2.20GHz, 512K L2, 45W) G2 65nm (models)	43C6168	N
2	Microprocessor, Sempron LE-1300 (2.30GHz, 512K L2, 45W) G2 65nm (models)	43C8986	N

Item #	7061 FRUs	FRU#	CRU
2	Microprocessor, Sempron 2100 X2 (1.80GHz, 512K L2, 65W) G2 65nm (models)	46R3629	N
2	Microprocessor, Sempron 2200 X2 (2.00GHz, 512K L2, 65W) G2 65nm (models)	46R3630	N
2	Microprocessor, Sempron X2 2300 (2.2GHz, 512K L2, 65W) G2 65nm (models)	53Y7724	N
2	Microprocessor, Sempron 140 (2.7GHz, 1M Total Cache, AM3, 45W) C2 45nm (models 91Z)	71Y6414	N
2	Microprocessor, Phenom 8600B (2.30GHz, 1.5M L2, 2M L3, 95W) stepping B2 65nm (models)	45R6494	N
2	Microprocessor, Phenom 9550 (2.20GHz, 2M L2, 2M L3, 95W) stepping B3 65nm (models)	45R6496	N
2	Microprocessor, Athlon II X2 240 (2.8GHz, 2M Total Cache, AM3, 65W) C2 45nm (models 91Z)	64Y8012	N
2	Microprocessor, Athlon II X2 245 (2.9GHz, 2M Total Cache, AM3, 65W) C2 45nm (models 91Z)	64Y8013	N
2	Microprocessor, Athlon II X3 435 (2.9GHz, 1.5M Total Cache, AM3, 95W) C2 45nm (models 91Z)	64Y8020	N
2	Microprocessor, Phenom II X2 550 (3.1GHz, 7M Total Cache, AM3, 80W) C2 45nm (models 91Z)	64Y8024	N
2	Microprocessor, Phenom II X2 555 (3.2 GHz, 7M Total Cache, AM3, 80W) C3 45nm (models 91Z)	89Y0793	N
2	Microprocessor, Phenom II X3 720 (2.8GHz, 7.5M Total Cache, AM3, 95W) C2 45nm (models 91Z)	64Y8030	N
2	Microprocessor, Phenom II X4 910 (2.6GHz, 8M Total Cache, AM3, 95W) C2 45nm (models 91Z)	64Y8035	N
2	Microprocessor, Athlon II X2 240 (2.8GHz, 2M Total Cache, AM3, 65W) C2 45nm (models 91Z)	64Y8012	N
2	Microprocessor, Athlon II X2 245 (2.9GHz, 2M Total Cache, AM3, 65W) C2 45nm (models 91Z)	64Y8013	N
2	Microprocessor, Athlon II X3 435 (2.9GHz, 1.5M Total Cache, AM3, 95W) C2 45nm (models 91Z)	64Y8020	N
2	Microprocessor, Phenom II X2 550 (3.1GHz, 7M Total Cache, AM3, 80W) C2 45nm (models 91Z)	64Y8024	N
2	Microprocessor, Phenom II X2 555 (3.2 GHz, 7M Total Cache, AM3, 80W) C3 45nm (models 91Z)	89Y0793	N
2	Microprocessor, Phenom II X3 720 (2.8GHz, 7.5M Total Cache, AM3, 95W) C2 45nm (models 91Z)	64Y8030	N
2	Microprocessor, Phenom II X4 910 (2.6GHz, 8M Total Cache, AM3, 95W) C2 45nm (models 91Z)	64Y8035	N
2	Microprocessor, Phenom 9650 (2.30GHz, 2M L2, 2M L3, 95W) stepping B3 65nm (models)	45R6498	N
2	Microprocessor, Phenom 9600B (2.30GHz, 2M L2, 2M L3, 95W) stepping B2 65nm (models)	45R6500	N
2	Microprocessor, Phenom 8450 (2.10GHz, 1.5M L2, 2M L3, 95W) B3 65nm (models)	45R6490	N
2	Microprocessor, Phenom X3 8600B (2.3GHz, 1.5M L2, 2M L3, 95W) B3 65nm (models)	45R6494	N
2	Microprocessor, Athlon LE-1660 (2.8 GHz, 512K L2, 45W) G2 65nm (models CTO)	53Y7722	N
2	Microprocessor, Athlon X2 5600B (2.9 GHz, 1M L2, 65W) G2 65nm (models CTO)	53Y7718	N

Item #	7061 FRUs	FRU#	CRU
2	Microprocessor, Athlon64 X2 6000+ (3.1 GHz, 1M L2, 89W) G2 65nm (models CTO)	53Y7720	N
2	Microprocessor, Sempron X2 2300 (2.2GHz, 512K L2, 65W) G2 65nm (models CTO)	53Y7724	N
2	Microprocessor, Sempron 140 (2.7GHz, 1M Total Cache, AM3, 45W) C2 45nm (models 91Z)	71Y6414	N
2	Microprocessor, Phenom X3 8750B (2.4 GHz, 512K / 2M L2, 95W) B3 65nm (models CTO)	53Y7709	N
2	Microprocessor, Phenom X4 9750B (2.4 GHz, 512K / 2M L2, 95W) B3 65nm (models CTO)	53Y7711	N
3	Memory module, 512MB PC2-5300 (667MHz) DDR2 SDRAM (models)	41X4255	2
3	Memory module, 2GB PC2-5300 (667MHz) DDR2 SDRAM (models)	41X1057	2
3	Memory module, 512MB PC2-6400 (800MHz) DDR2 SDRAM (models)	41X1079	2
3	Memory module, 1GB PC2-6400 (667MHz) DDR2 SDRAM (models A1U A1F A1S A1P A1L A1D A1Y A1G A1M A1A A1Q A1T A1C A1B A1H A1V A1K A1R A1E A1J)	41X1080	2
3	Memory module, 2GB PC2-6400 (667MHz) DDR2 SDRAM (models)	41X1081	2
4	DVD-ROM Drive - 16x/48x - SATA Vista & non-Vista (models)	41N3325	2
4	DVD Recordable/CD-RW Rambo 8 - SATA Vista & non-Vista (models A1U A1F A1S A1P A1L A1D A1Y A1G A1M A1A A1Q A1T A1C A1B A1H A1V A1K A1R A1E A1J)	43C1042	2
4	DVD-ROM Drive - 16x/48x - With DVD playback software (models)	71Y5543	2
4	DVD-RW/CD-RW Rambo 8 - With write software (models A1U A1F A1S A1P A1L A1D A1Y A1G A1M A1A A1Q A1T A1C A1B A1H A1V A1K A1R A1E A1J)	71Y5545	2
5	Diskette drive, 3.5" 1.44MB 2 Mode FDD with Bezel and cable (models)	40Y9105	2
5	Diskette drive, 3.5" 1.44MB 2 Mode FDD with Bezel and cable (models)	40Y9107	2
6	Bezel assembly, without IBM mark (all models)	41R6243	2
7	Power switch/LED assembly (all models)	41N5284	2
8	Speaker assembly, soldered terminals (all models)	39P5023	2
9	Front audio/USB assembly (all models)	41N8054	2
10	Hard disk drive, SATA 80GB 7200RPM/3Gb/8MB (models)	40Y9034	2
10	Hard disk drive, SATA 160GB 7200RPM/3Gb/8MB (models A1U A1F A1S A1P A1L A1D A1Y A1G A1M A1A A1Q A1T A1C A1B A1H A1V A1K A1R A1E A1J)	40Y9035	2
10	Hard disk drive, SATA 160GB 7200RPM/3Gb/8MB (models A1U A1F A1S A1P A1L A1D A1Y A1G A1M A1A A1Q A1T A1C A1B A1H A1V A1K A1R A1E A1J)	53Y6837	2
10	Hard disk drive, SATA 250GB 7200RPM/3Gb/8MB (models)	40Y9036	2
10	Hard disk drive, SATA 250GB 7200RPM/3Gb/8MB (models)	45K0408	2
10	Hard disk drive, SATA 320GB 7200rpm SATA/8MB (models)	87H4891	2
10	Hard disk drive, SATA 320GB 7200rpm SATA/8MB (models)	45K0409	2
10	Hard disk drive, SATA 500GB 7200RPM/3Gb/s/8MB (models)	41X5582	2
10	Hard disk drive, SATA 500GB 7200RPM/3Gb/s/8MB (models)	45K0410	2
11	System board, Planar AMD RS780 mATX (TOWER & ROCKYS) (models A1U A1F A1S A1P A1L A1D A1Y A1G A1M A1A A1Q A1T A1C A1B A1H A1V A1K A1R A1E A1J)	71Y5724	N
11	System board, Planar AMD RS780 mATX GA Level - TPM Disable for Russia (models A1G)	71Y4994	N

Item #	7061 FRUs	FRU#	CRU
11	System board, Planar AMD RS780 mATX GA Level - Support Phenom II X2 555 (models 91Z)	89Y1346	N
11	System board, Planar AMD RS780 mATX GA Level -Support Win7 and AM3 C2 CPU (models 91Z)	89Y1809	N
12	System fan, rear (all models)	41R6269	2
12	System fan, rear (all models)	43N9908	2
13	Power supply, ATX 280W (Robust, WW) (models A1U A1F A1S A1P A1L A1D A1Y A1G A1M A1A A1Q A1T A1C A1B A1H A1V A1K A1R )	41A9684	2
13	Power supply, ATX 280W 80% (Robust, WW, JP) (models A1U A1F A1S A1P A1L A1D A1Y A1G A1M A1A A1Q A1T A1C A1B A1H A1V A1K A1R A1E A1J )	41A9665	2
13	Power supply, ATX 310W (Robust, WW, JP) (models A1U A1F A1S A1P A1L A1D A1Y A1G A1M A1A A1Q A1T A1C A1B A1H A1V A1K A1R A1E A1J )	41A9726	2
13	Power supply, 220W (Robust, WW) (models A1U A1F A1S A1P A1L A1D A1Y A1G A1M A1A A1Q A1T A1C A1B A1H A1V A1K A1R )	41A9689	N
13	Power supply, 220W only for JP (models A1E A1J )	41A9697	N
13	Power supply, 220W 80% (Robust, WW, JP) (models A1U A1F A1S A1P A1L A1D A1Y A1G A1M A1A A1Q A1T A1C A1B A1H A1V A1K A1R A1E A1J )	41A9670	N
13	Power supply, 280W TFX ,Active PFC, (Robust, WW, JP) (models A1U A1F A1S A1P A1L A1D A1Y A1G A1M A1A A1Q A1T A1C A1B A1H A1V A1K A1R A1E A1J )	41A9705	N

The FRUs listed in the following tables are not illustrated.

7061 FRUs	FRU#	CRU
Cover (all models)	41N8050	2
Retainer, Card Reader (all models)	41R2913	2
Front Fan AVC (all models)	41R4791	2
HDD Tray (all models)	41R6291	2
FDD cable, 325mm, (all models)	41A7182	2
Cabel -SATA 457mm (RoHS) (all models)	43N9013	2
Cabel-SATA 250mm (RoHS) (all models)	43N9012	2
Optional HDD Bracket Asm (all models)	41R6106	2
EMC Shield (all models)	41N8080	2
EMC Shield (all models)	41N8078	2
Rear IO shield ATX,for RX 780,Atlantic (all models)	41R6383	N
Intrusion Switch Asm (all models)	41R6116	2
Temp Sense cable for Armstrong (460 mm) (all models)	41R2509	2
Blank 5.25" Bezel (all models)	41N8077	2
Asm Chassis Without IBM Mark Atlantic (all models)	41R6408	5
ODD/FDD/Cardreader Retainers (all models)	43N9351	2
AMD thermal KIT (all models)	41R6407	2
Cable Clip, FW-6D (all models)	43N9462	N

<b>7061 Keyboards (Lenovo Preferred Pro USB -- without hub)</b>	<b>FRU#</b>	<b>CRU Tier</b>
USB FULL--US English (models A1U A1L A1G A1M A1A A1Q A1H A1R A1E )	41A5289	1
USB FULL--Arabic (models A1G )	41A5290	1
USB FULL--Arabic/French (models A1G )	41A5291	1
USB FULL--Belgian/French (models A1G )	41A5292	1
USB FULL--Belgium English (models A1G )	41A5293	1
USB FULL--Brazilian Portuguese (models A1P )	41A5294	1
USB FULL--Bulgarian (models A1G )	41A5295	1
USB FULL--Chinese/US (models A1B A1V )	41A5296	1
USB FULL--Czech (ABB) (models A1G )	41A5297	1
USB FULL--Danish (models A1G )	41A5298	1
USB FULL--Dutch (models A1G )	41A5299	1
USB FULL--French (models A1G )	41A5300	1
USB FULL--French Canadian (models A1F A1G )	41A5301	1
USB FULL--French Canadian (models A1F A1G )	41A5302	1
USB FULL--German (models A1G )	41A5303	1
USB FULL--Greek (models A1G)	41A5304	1
USB FULL--Greek/US (models A1G)	41A5305	1
USB FULL--Hebrew (models A1G)	41A5306	1
USB FULL--Hungarian (models A1G)	41A5307	1
USB FULL--Iceland (models A1G)	41A5308	1
USB FULL--Italy (models A1G)	41A5309	1
USB FULL--Japanese (models A1J )	41A5310	1
USB FULL--Korean (models A1K )	41A5311	1
USB FULL--LA Spanish (models A1S A1D A1Y)	41A5312	1
USB FULL--Norwegian (models A1G )	41A5313	1
USB FULL--Polish (models A1G)	41A5314	1
USB FULL--Portugese (models A1G)	41A5315	1
USB FULL--Romanian (models A1G)	41A5317	1
USB FULL--Russian/Cyrillic (models A1G)	41A5318	1
USB FULL--Serbian/Cyrillic (models A1G)	41A5319	1
USB FULL--Slovak (models A1G)	41A5320	1
USB FULL--Spanish (models A1G)	41A5321	1
USB FULL--Swedish/Finnish (models A1G)	41A5322	1
USB FULL--Swiss F/G (models A1G)	41A5323	1
USB FULL--Thailand (models A1T)	41A5324	1
USB FULL--Turkish (models A1G)	41A5325	1
USB FULL--Turkish (models A1G)	41A5326	1
USB FULL--UK English (models A1G)	41A5327	1

<b>7061 Keyboards (Lenovo Preferred Pro USB -- without hub)</b>	<b>FRU#</b>	<b>CRU Tier</b>
USB FULL--US Euro (models A1G)	41A5328	1
USB FULL--Slovenian (models)	41A5329	1

<b>7061 Keyboards (Lenovo Fingerprint Reader USB)</b>	<b>FRU#</b>	<b>CRU Tier</b>
US English (models)	41R0038	1
Arabic (models)	41R0039	1
Arabic/French (models)	41R0040	1
Belgian/French (models)	41R0041	1
Belgium English (models)	41R0042	1
Brazilian Portuguese (models)	41R0043	1
Bulgarian (models)	41R0044	1
Chinese/US (models)	41R0045	1
Czech (ABB) (models)	41R0046	1
Danish (models)	41R0047	1
Dutch (models)	41R0048	1
French (models)	41R0049	1
French Canadian (models)	41R0050	1
French Canadian (models)	41R0051	1
German (models)	41R0052	1
Greek (models)	41R0053	1
Greek/US (models)	41R0054	1
Hebrew (models)	41R0055	1
Hungarian (models)	41R0056	1
Iceland (models)	41R0057	1
Italy (models)	41R0058	1
Japanese (models)	41R0059	1
Korean (models)	41R0060	1
LA Spanish (models)	41R0061	1
Norwegian (models)	41R0062	1
Polish (models)	41R0063	1
Portuguese (models)	41R0064	1
Romanian (models)	41R0065	1
Romanian (models)	41R0066	1
Russian/Cyrillic (models)	41R0067	1
Serbian/Cyrillic (models)	41R0068	1
Slovak (models)	41R0069	1
Spanish (models)	41R0070	1
Swedish/Finnish (models)	41R0071	1

<b>7061 Keyboards (Lenovo Fingerprint Reader USB)</b>	<b>FRU#</b>	<b>CRU Tier</b>
Swiss F/G (models)	41R0072	1
Thailand (models)	41R0073	1
Turkish (models)	41R0074	1
Turkish (models)	41R0075	1
UK English (models)	41R0076	1
US Euro (models)	41R0077	1
Slovenian (models)	41R0078	1

<b>7061 Keyboards (Lenovo Preferred Pro PS/2 Full Size)</b>	<b>FRU#</b>	<b>CRU Tier</b>
PS/2 Full--US English (models)	41A5039	1
PS/2 Full--Arabic (models)	41A5040	1
PS/2 Full--Arabic/French (models)	41A5041	1
PS/2 Full--Belgian/French (models)	41A5042	1
PS/2 Full--Belgium English (models)	41A5043	1
PS/2 Full--Brazilian Portuguese (models)	41A5044	1
PS/2 Full--Bulgarian (models)	41A5045	1
PS/2 Full--Chinese/US (models)	41A5046	1
PS/2 Full--Czech (ABB) (models)	41A5047	1
PS/2 Full--Danish (models)	41A5048	1
PS/2 Full--Dutch (models)	41A5049	1
PS/2 Full--French (models)	41A5050	1
PS/2 Full--French Canadian (models)	41A5051	1
PS/2 Full--French Canadian (models)	41A5052	1
PS/2 Full--German (models)	41A5053	1
PS/2 Full--Greek (models)	41A5054	1
PS/2 Full--Greek/US (models)	41A5080	1
PS/2 Full--Hebrew (models)	41A5055	1
PS/2 Full--Hungarian (models)	41A5056	1
PS/2 Full--Iceland (models)	41A5057	1
PS/2 Full--Italy (models)	41A5058	1
PS/2 Full--Japanese (models)	41A5059	1
PS/2 Full--Korean (models)	41A5060	1
PS/2 Full--LA Spanish (models)	41A5061	1
PS/2 Full--Norwegian (models)	41A5062	1
PS/2 Full--Polish (models)	41A5063	1
PS/2 Full--Portugese (models)	41A5064	1
PS/2 Full--Romanian (models)	41A5065	1
PS/2 Full--Russian/Cyrillic (models)	41A5066	1

<b>7061 Keyboards (Lenovo Preferred Pro PS/2 Full Size)</b>	<b>FRU#</b>	<b>CRU Tier</b>
PS/2 Full--Serbian/Cyrillic (models)	41A5067	1
PS/2 Full--Slovak (models)	41A5068	1
PS/2 Full--Spanish (models)	41A5069	1
PS/2 Full--Swedish/Finnish (models)	41A5070	1
PS/2 Full--Swiss F/G (models)	41A5071	1
PS/2 Full--Thailand (models)	41A5072	1
PS/2 Full--Turkish (models)	41A5073	1
PS/2 Full--Turkish (models)	41A5074	1
PS/2 Full--UK English (models)	41A5075	1
PS/2 Full--US Euro (models)	41A5076	1
PS/2 Full--Slovenian (models)	41A5077	1

<b>7061 mice</b>	<b>FRU#</b>	<b>CRU</b>
Optical Wheel Mouse (400DPI, USB) (models A1U A1F A1S A1P A1L A1D A1Y A1G A1M A1A A1Q A1T A1C A1B A1H A1V A1K A1R A1E A1J)	41U3013	1
Optical Wheel Mouse (400DPI, USB) (models A1U A1F A1S A1P A1L A1D A1Y A1G A1M A1A A1Q A1T A1C A1B A1H A1V A1K A1R A1E A1J)	41U3030	1
PS/2 Three Button ball mouse (41R0017) (models)	41R0018	1

<b>7061 Adapters and miscellaneous FRUs</b>	<b>FRU#</b>	<b>CRU</b>
Internal USB Memory Card Reader floppy bay (models)	41R3378	2
Internal 20 in 1 USB Memory Card Reader (models)	45R8139	1
NVIDIA GeForce 9300 GE 256M Full Height (DVI+VGA) (models CTO)	45R5494	2
ATI HD 2600XT 512MB 128BIT ATX (models)	43C0261	2
IEEE 1394 Firewire Adapter SFF (models)	41D2781	2
IEEE 1394 Firewire Adapter ATX (models)	41D2781	2
Soft Modem V.90/V.44 SFF (models)	29R9729	2
Soft Modem V.90/V.44 ATX (models)	29R9729	2
ATI HD 2400PRO 128MB 64BIT DMS59 LP (models)	43C0259	2
ATI HD 2400PRO 128MB 64BIT DMS59 ATX (models)	43C0259	2
ATI HD 2400XT 256MB 64BIT DMS59 ATX Secondary (models)	46R4160	2
Speaker Power brick - US, Canada, LA low voltage, ASEAN (models A1U)	89P8571	1
Speaker Power brick - LA high voltage (non-APU) (models)	89P8575	1
Speaker Power brick - SIMPLIFIED -CHN, Thailand EMEA(models A1G A1C )	89P8581	1
Speaker Power brick - Japan (models)	89P8577	1
Speaker Power brick - Brazil (models)	89P8583	1
Speaker Power brick - Argentina (models)	41A4901	1
Speaker Power brick - ANZ (models A1M )	89P8579	1
Speaker Power brick - Korean (models)	41A4903	1



<b>7061 Adapters and miscellaneous FRUs</b>	<b>FRU#</b>	<b>CRU</b>
Speaker Power brick - Hong Kong, EMEA (models A1G )	89P8573	1
Speaker Power brick -TAIWAN-TC (models A1V )	41A4905	1
Speaker Power brick - India, South Africa (models A1Q )	89P8585	1
Dongle DMS Dule DMS-59 to dual VGA Cable (models)	42Y8181	2
Dongle DMS Dule DMS-59 to dual DVI Cable (models)	41X6398	2
Dongle DMS Dule DMS-59 to single VGA & single DVI Cable (models)	42Y8183	2
2-pc external speaker--primary (models)	41A5331	1
2-pc external speaker-secondary (models)	41A5334	1
DVI-I(M)-VGA(F) cord (models)	41R3342	2
Battery 3V- Lithium (models A1U A1F A1S A1P A1L A1D A1Y A1G A1M A1A A1Q A1T A1C A1B A1H A1V A1K A1R A1E A1J)	45C1566	1
MSI 9500GT 512MB 128BIT ATX (TOWER) (models)	46R1524	2
HD 3470 256M 64bit DP ATX/LP (models)	46R1521	2
DP to DVI dongle (models)	43N9160	2
Bitland 88E8075 1000M PCIE DASH NIC FH (R)(Tower) (models)	53Y4008	2
AMD Display Port card ATX® (Tower) (models)	53Y4002	1

<b>7061 Power Cords</b>	<b>FRU#</b>	<b>CRU</b>
Power cord - US (models A1U A1F A1S A1L A1Y A1A A1T)	41R3184	1
Power cord - US (models A1U A1F A1S A1L A1Y A1A A1T)	41R3185	1
Power cord - China (models A1C)	41R3256	1
Power cord - China (models A1C)	41R3257	1
Power cord - Japanese and Japanese English (models A1E A1J)	41R3248	1
Power cord - Japanese and Japanese English (models A1E A1J)	41R3249	1
Power cord - Brazil (Portuguese) (models)	41R3270	1
Power cord - Brazil (Portuguese) (models)	41R3271	1
Power cord - LA High Volt (APU) (models)	41R3176	1
Power cord - LA High Volt (APU) (models)	41R3177	1
Power cord - ANZ (models)	41R3196	1
Power cord - ANZ (models)	41R3197	1
Power cord - Korea (models)	41R3260	1
Power cord - Korea (models)	41R3261	1
Power cord - UK, Ireland, Singapore, Malaysia, Brunei, Hong Kong (models A1B A1H)	41R3224	1
Power cord - UK, Ireland, Singapore, Malaysia, Brunei, Hong Kong (models A1B A1H)	41R3225	1
Power cord - Taiwan (models A1V)	41R3278	1
Power cord - Taiwan (models A1V)	41R3279	1
Power cord - Italy (models)	41R3232	1
Power cord - Italy (models)	41R3233	1

<b>7061 Power Cords</b>	<b>FRU#</b>	<b>CRU</b>
Power cord - Indonesia, Laos, Cambodia, Vietnam, Austria, Belgium, Croatia, Czechoslovakia, Finland, France, Germany, Hungary, Netherlands, Norway, Poland, Portugal, Romania, Spain, Sweden (models A1U A1F A1S A1L A1Y A1A A1T)	41R3208	1
Power cord - Indonesia, Laos, Cambodia, Vietnam, Austria, Belgium, Croatia, Czechoslovakia, Finland, France, Germany, Hungary, Netherlands, Norway, Poland, Portugal, Romania, Spain, Sweden (models A1U A1F A1S A1L A1Y A1A A1T)	41R3209	1
Power cord - Denmark (models A1G)	41R3212	1
Power cord - Denmark (models A1G)	41R3213	1
Power cord - Switzerland (models A1G)	41R3228	1
Power cord - Switzerland (models A1G)	41R3229	1
Power cord - Israel (models A1G)	41R3236	1
Power cord - Israel (models A1G)	41R3237	1
Power cord - South Africa (models A1G A1M A1A)	41R3220	1
Power cord - South Africa (models A1G A1M A1A)	41R3221	1
Power cord - India (models A1Q)	41R3341	1
Power cord - India (models A1Q)	41R3175	1
Power cord - Thailand (models)	43N9029	1
Power cord - Thailand (models)	43N9030	1
Power cord - Brazil (models)	43N9044	1

<b>7061 Windows XP Home Recovery CDs</b>	<b>FRU#</b>	<b>CRU</b>
US English/UK/Asia Pacific (models)	TBD	1
French/French Canadian (models)	TBD	1
Greek (models)	TBD	1
Italy (models)	TBD	1
Brazilian (models)	TBD	1
Spanish/LA (models)	TBD	1
Danish (models)	TBD	1
Dutch (models)	TBD	1
Arabic (models)	TBD	1
SV (Swedish) (models)	TBD	1
Hebrew (models)	TBD	1
Finnish (models)	TBD	1
Norwegian (models)	TBD	1
Polish (models)	TBD	1
Portugese (models)	TBD	1
Russian (models)	TBD	1
Russian English (models)	TBD	1
Hungarian (models)	TBD	1
Czech (models)	TBD	1

<b>7061 Windows XP Home Recovery CDs</b>	<b>FRU#</b>	<b>CRU</b>
Turkish native (models)	TBD	1
Greek (models)	TBD	1
Japanese (models)	TBD	1
Simplified Chinese (models)	TBD	1
Taiwan-TC (models)	TBD	1
Hong Kong-TC (models)	TBD	1
Korean (models)	TBD	1

<b>7061 Windows XP Pro Recovery CDs</b>	<b>FRU#</b>	<b>CRU</b>
English (models)	64Y5588	1
Japanese (models)	64Y6202	1
Simplified Chinese (models)	64Y5590	1
Spanish (models)	64Y5591	1
French (models)	64Y5592	1
Italian (models)	64Y5593	1
Brazilian Portuguese (models)	64Y5594	1
German (models)	64Y5595	1
Hong Kong (models)	64Y5596	1
Swedish (models)	64Y5597	1
Danish (models)	64Y5598	1
Norway (models)	64Y5599	1
Finland (models)	64Y5600	1
Arabic (models)	64Y5601	1
Traditional Chinese (models)	64Y5602	1
Russian (models)	64Y5603	1
Polish (models)	64Y5604	1
Hebrew (models)	64Y5605	1
Korea (models)	64Y5606	1
Greek (models)	64Y5607	1
Turkish (models)	64Y5608	1
Dutch (models)	64Y5609	1
Slovenian (models)	64Y5610	1
Hungarian (models)	64Y5611	1
Czech (models)	64Y5612	1
Portuguese (models)	64Y5613	1
Russian English (models)	64Y5614	1
MUI Nordics (EN-DK-FI-NO-SV) (models CTO)	71Y6401	1
MUI Switz (EN-FR-GR-IT) (models CTO)	71Y6402	1
MUI Bel-Lux (EN-FR-GR-NL) (models CTO)	71Y6403	1

<b>7061 Vista Home Basic 32 Recovery CDs</b>	<b>FRU#</b>	<b>CRU</b>
US English (models)	46R8053	1
French (models)	46R8057	1
German (models)	46R8060	1
Spanish (models)	46R8056	1
Brazilian (models)	46R8059	1
Italian (models)	46R8058	1
Japanese (models)	64Y6207	1
Dutch (models)	46R8070	1
Czech (models)	46R8074	1
Polish (models)	46R8065	1
Russian (models)	46R8064	1
Turkish (models)	46R8069	1
Hungarian (models)	46R8073	1
Greek (models)	46R8068	1
Portuguese (models)	46R8077	1
Hong Kong (models)	46R8061	1
Traditional Chinese (models)	46R8063	1
Korean (models)	46R8067	1
Slovenian (models)	46R8071	1
Russian English (models)	46R8078	1
Hebrew (models)	46R8066	1
Arabic Localized (models)	46R8062	1
Slovakian (models)	46R8075	1
Simplified Chinese (models)	46R8055	1
Serbian-Latin (models)	46R8076	1
Romanian (models)	46R8072	1
Belgium-Luxembourg (models)	53Y4230	1
Switzerland (models)	53Y4231	1
Nordics (models)	53Y4232	1

<b>7061 Vista Business 32 Recovery CDs</b>	<b>FRU#</b>	<b>CRU</b>
US English (models A1U A1L A1G A1M A1A A1Q A1H A1R A1E )	46R8079	1
French (models A1F A1G )	46R8083	1
German (models A1G )	46R8086	1
Spanish (models A1G )	46R8082	1
Brazilian (models)	46R8085	1
Italian (models A1G )	46R8084	1
Japanese (models A1J)	64Y6205	1
English for Indian (models A1U A1L A1G A1M A1A A1Q A1H A1R A1E)	64Y9435	1

<b>7061 Vista Business 32 Recovery CDs</b>	<b>FRU#</b>	<b>CRU</b>
Dutch (models A1G )	46R8096	1
Czech (models A1G )	46R8100	1
Polish (models A1G )	46R8091	1
Russian (models A1G )	46R8090	1
Turkish (models A1G )	46R8095	1
Hungarian (models A1G )	46R8099	1
Greek (models A1G )	46R8094	1
Portuguese (models A1G )	46R8103	1
Simplified Chinese (models)	46R8081	1
Hong Kong (models)	46R8087	1
Traditional Chinese (models)	46R8089	1
Korean (models A1K)	46R8093	1
Slovenian (models)	46R8097	1
Russian English (models A1G )	46R8104	1
Romanian (models A1G )	46R8098	1
Sebian-Latin (models)	46R8102	1
Hebrew (models A1G )	46R8092	1
Arabic Localized (models)	46R8088	1
Slovakian (models A1G )	46R8101	1
Belgium-Luxembourg (models A1U A1L A1G A1M A1A A1Q A1H A1R A1E)	53Y4233	1
Switzerland (models A1G)	53Y4234	1
Nordics (models A1G)	53Y4235	1

<b>7061 Vista Premium 32 Recovery CDs</b>	<b>FRU#</b>	<b>CRU</b>
US English (models)	46R8141	1
French (models)	46R8143	1
German (models)	46R8144	1
Spanish (models)	46R8145	1
Italian (models)	46R8146	1
Japanese (models)	64Y6208	1
Hong Kong (models)	46R8147	1
Korean (models)	46R8148	1
Athens Vista SP1 MUL 1 P/N's VHP32 (EN FR GR NL) (models)	53Y4236	1
Athens Vista SP1 MUL 2 P/N's VHP32 (EN FR GR IT) (models)	53Y4237	1
Athens Vista SP1 MUL 3P/N's VHP32 (EN DK FI NO SV) (models)	53Y4238	1

<b>7061 Vista Business 64 Recovery CDs</b>	<b>FRU#</b>	<b>CRU</b>
US English (models)	46R8131	1
French (models)	46R8134	1

7061 Vista Business 64 Recovery CDs	FRU#	CRU
German (models)	46R8135	1
Japanese (models)	64Y6210	1
Simplified Chinese (models)	46R8133	1

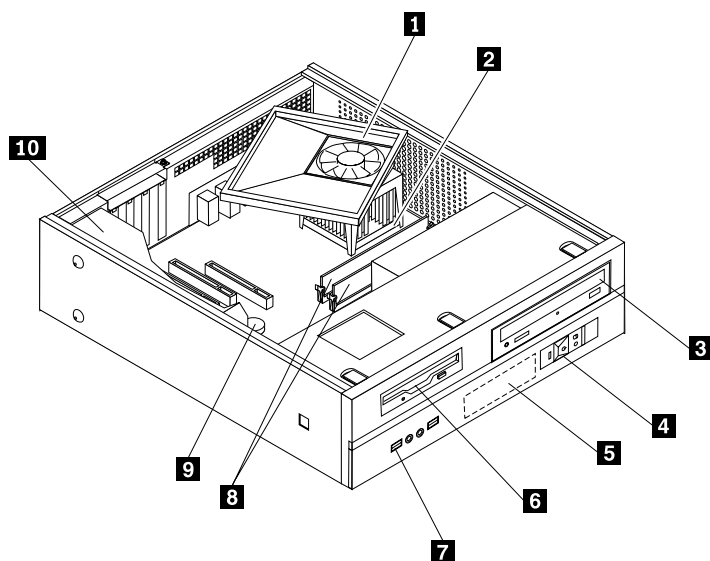
7061 Vista Ultimate 32 Recovery CDs	FRU#	CRU
US English (models)	46R8149	1
Japanese (models)	64Y6209	1
French (models)	46R8151	1
German (models)	46R8152	1
Spanish (models)	46R8153	1
Italian (models)	46R8154	1
Hong Kong (models)	46R8155	1
Arabic Localized (models)	46R8156	1
Athens Vista SP1 MUL 1 P/N's VU32 (EN DK FI NO SV) (models)	53Y4239	1

7061 Vista Starter 32 Recovery CDs	FRU#	CRU
English (models)	46R8052	1

7061 Vista Home Premium 64 Recovery CDs	FRU#	CRU
US (models)	71Y6634	1
French (models)	71Y6635	1

7061 Win7 Professional 32	FRU#	CRU
Brazilian Portuguese (all models)	89Y0454	1

## Machine Type 7062



Item #	7062 FRUs	FRU#	CRU
1	Heatsink, AMD 89W&65W 4Pin heatsink (all models)	41R6407	2
2	Microprocessor, Athlon64 4800+ X2 (2.50GHz, 1M L2, 65W) G1 65nm (models)	43C4093	N
2	Microprocessor, Athlon64 5000+ X2 (2.60GHz, 1M L2, 65W) G1 65nm (models)	41X1427	N
2	Microprocessor, Athlon 1640B (2.70GHz, 512K L2, 45W) G2 65nm (models CTO)	45R6488	N
2	Microprocessor, Athlon64 5200+ AM2 X2 (2.7 GHz processor, 65W) stepping G1 65nm (models)	45C7502	N
2	Microprocessor, Athlon64 5400B X2(2.80GHz, 1M L2, 65W) G2 65nm (models CTO)	45R6486	N
2	Microprocessor, Athlon64 5600+ X2 (2.90GHz, 1M L2, 89W) G2 65nm (models)	45C7504	N
2	Microprocessor, Athlon X2 BE 2350 (2.1GHz processor, 45W, 1MB L2) steping G1 (models)	43C6166	N
2	Microprocessor, Athlon X2 BE 2400 (2.3GHz processor, 45W, 1MB L2) steping G1 (models)	43C6165	N
2	Microprocessor, Athlon 4450B X2 (2.30GHz, 1M L2, 45W) G2 65nm (models)	46R3624	N
2	Microprocessor, Athlon 5000B X2 (2.60GHz, 1M L2, 65W) G2 65nm (models CTO)	46R3625	N
2	Microprocessor, Athlon 5200B X2 (2.70GHz, 1M L2, 65W) G2 65nm (models CTO)	46R3626	N
2	Microprocessor, Athlon LE-1660 (2.8 GHz, 512K L2, 45W) G2 65nm (models)	53Y7722	N
2	Microprocessor, Athlon X2 5600B (2.9 GHz, 1M L2, 65W) G2 65nm (models)	53Y7718	N
2	Microprocessor, Athlon64 X2 6000+ (3.1 GHz, 1M L2, 89W) G2 65nm (models)	53Y7720	N
2	Microprocessor, Sempron LE-1250 (2.20GHz, 512K L2, 45W) G2 65nm (models)	43C6168	N
2	Microprocessor, Sempron LE-1300 (2.30GHz, 512K L2, 45W) G2 65nm (models)	43C8986	N
2	Microprocessor, Sempron 2100 X2 (1.80GHz, 512K L2, 65W) G2 65nm (models)	46R3629	N
2	Microprocessor, Sempron 2200 X2 (2.00GHz, 512K L2, 65W) G2 65nm (models)	46R3630	N
2	Microprocessor, Sempron X2 2300 (2.2GHz, 512K L2, 65W) G2 65nm (models)	53Y7724	N
2	Microprocessor, Sempron X2 2300 (2.2GHz, 512K L2, 65W) G2 65nm (models 91Z)	71Y6414	N
2	Microprocessor, Phenom 8600B (2.30GHz, 1.5M L2, 2M L3, 95W) stepping B2 65nm (models)	45R6494	N
2	Microprocessor, Phenom 9550 (2.20GHz, 2M L2, 2M L3, 95W) stepping B3 65nm (models)	45R6496	N
2	Microprocessor, Athlon II X2 240 (2.8GHz, 2M Total Cache, AM3, 65W) C2 45nm (models 91Z)	64Y8012	N
2	Microprocessor, Athlon II X2 245 (2.9GHz, 2M Total Cache, AM3, 65W) C2 45nm (models 91Z)	64Y8013	N
2	Microprocessor, Athlon II X3 435 (2.9GHz, 1.5M Total Cache, AM3, 95W) C2 45nm (models 91Z)	64Y8020	N
2	Microprocessor, Phenom II X2 550 (3.1GHz, 7M Total Cache, AM3, 80W) C2 45nm (models 91Z)	64Y8024	N
2	Microprocessor, Phenom II X2 555 (3.2 GHz, 7M Total Cache, AM3, 80W) C3 45nm (models 91Z)	89Y0793	N
2	Microprocessor, Phenom II X3 720 (2.8GHz, 7.5M Total Cache, AM3, 95W) C2 45nm (models 91Z)	64Y8030	N
2	Microprocessor, Phenom II X4 910 (2.6GHz, 8M Total Cache, AM3, 95W) C2 45nm (models 91Z)	64Y8035	N

Item #	7062 FRUs	FRU#	CRU
2	Microprocessor, Phenom 9650 (2.30GHz, 2M L2, 2M L3, 95W) stepping B3 65nm (models)	45R6498	N
2	Microprocessor, Phenom 9600B (2.30GHz, 2M L2, 2M L3, 95W) stepping B2 65nm (models)	45R6500	N
2	Microprocessor, Phenom 8450 (2.10GHz, 1.5M L2, 2M L3, 95W) B3 65nm (models CTO)	45R6490	N
2	Microprocessor, Phenom X3 8600B (2.3GHz, 1.5M L2, 2M L3, 95W) B3 65nm (models)	45R6494	N
2	Microprocessor, Athlon LE-1660 (2.8 GHz, 512K L2, 45W) G2 65nm (models CTO)	53Y7722	N
2	Microprocessor, Athlon X2 5600B (2.9 GHz, 1M L2, 65W) G2 65nm (models CTO)	53Y7718	N
2	Microprocessor, Athlon64 X2 6000+ (3.1 GHz, 1M L2, 89W) G2 65nm (models CTO)	53Y7720	N
2	Microprocessor, Sempron X2 2300 (2.2GHz, 512K L2, 65W) G2 65nm (models CTO)	53Y7724	N
2	Microprocessor, Phenom X3 8750B (2.4 GHz, 512K / 2M L2, 95W) B3 65nm (models CTO)	53Y7709	N
2	Microprocessor, Phenom X4 9750B (2.4 GHz, 512K / 2M L2, 95W) B3 65nm (models CTO)	53Y7711	N
3	DVD-ROM Drive - 16x/48x - SATA Vista & non-Vista (models)	41N3325	2
3	DVD Recordable/CD-RW Rambo 8 - SATA Vista & non-Vista (models A1U A1F A1S A1P A1L A1D A1Y A1G A1M A1A A1Q A1T A1C A1B A1H A1V A1K A1R A1E A1J )	43C1042	2
3	DVD-ROM Drive - 16x/48x - With DVD playback software (models)	71Y5543	2
3	DVD-RW/CD-RW Rambo 8 - With write software (models A1U A1F A1S A1P A1L A1D A1Y A1G A1M A1A A1Q A1T A1C A1B A1H A1V A1K A1R A1E A1J )	71Y5545	2
4	Front Power/LED PC, bracket, and cable (all models)	41N8213	2
5	Hard disk drive, 80GB, 7200RPM, SATA (models)	40Y9034	2
5	Hard disk drive, 160GB, 7200RPM, SATA (models A1U A1F A1S A1P A1L A1D A1Y A1G A1M A1A A1Q A1T A1C A1B A1H A1V A1K A1R A1E A1J)	40Y9035	2
5	Hard disk drive, SATA 160GB 7200RPM/3Gb/8MB (models A1U A1F A1S A1P A1L A1D A1Y A1G A1M A1A A1Q A1T A1C A1B A1H A1V A1K A1R A1E A1J)	53Y6837	2
5	Hard disk drive, SATA 160GB 7200RPM/3Gb/8MB (models A1U A1F A1S A1P A1L A1D A1Y A1G A1M A1A A1Q A1T A1C A1B A1H A1V A1K A1R A1E A1J)	53Y6837	2
5	Hard disk drive, SATA 250GB 7200RPM/3Gb/8MB (models)	45K0408	2
5	Hard disk drive, 250GB, 7200RPM, SATA (models)	40Y9036	2
5	Hard disk drive, 320GB 7200rpm SATA/8MB (models)	87H4891	2
5	Hard disk drive, SATA 320GB 7200rpm SATA/8MB (models)	45K0409	2
5	Hard disk drive, SATA 500GB 7200RPM/3Gb/s/8MB (models)	41X5582	2
5	Hard disk drive, SATA 500GB 7200RPM/3Gb/s/8MB (models)	45K0410	2
6	Diskette drive, 3.5" 1.44MB 2 Mode FDD with Bezel and cable (models)	40Y9105	2
6	Diskette drive, 3.5" 1.44MB 2 Mode FDD with Bezel and cable (models)	40Y9107	2
7	Front USB/Audio with bracket (all models)	41N8212	2
8	Memory module, 512 MB PC2-5300 (667MHz) DDR2 SDRAM (models)	41X4255	2



Item #	7062 FRUs	FRU#	CRU
8	Memory module, 512MB PC2-6400 (800MHz) DDR2 SDRAM (models)	41X1079	2
8	Memory module, 1GB PC2-6400 (667MHz) DDR2 SDRAM (models A1U A1F A1S A1P A1L A1D A1Y A1G A1M A1A A1Q A1T A1C A1B A1H A1V A1K A1R A1E A1J )	41X1080	2
8	Memory module, 2GB PC2-6400 (667MHz) DDR2 SDRAM (models)	41X1081	2
9	System board, Planar AMD RS780 mATX (TOWER &ROCKYS) (models A1U A1F A1S A1P A1L A1D A1Y A1G A1M A1A A1Q A1T A1C A1B A1H A1V A1K A1R A1E A1J)	71Y5724	N
9	System board, Planar AMD RS780 mATX GA Level - TPM Disable for Russia (models A1G)	71Y4994	N
9	System board, Planar AMD RS780 mATX GA Level - Support Phenom II X2 555 (models 91Z)	89Y1346	N
9	System board, Planar AMD RS780 mATX GA Level -Support Win7 and AM3 C2 CPU (models 91Z)	89Y1809	N
10	Power Supply, ATX 280 Watt world wide (models A1U A1F A1S A1P A1L A1D A1Y A1G A1M A1A A1Q A1T A1C A1B A1H A1V A1K A1R)	41A9684	2
10	Power Supply, ATX 280 Watt 80% world wide and Japan (models A1U A1F A1S A1P A1L A1D A1Y A1G A1M A1A A1Q A1T A1C A1B A1H A1V A1K A1R A1E A1J )	41A9665	2
10	Power Supply, ATX 310 Watt world wide and Japan (models A1U A1F A1S A1P A1L A1D A1Y A1G A1M A1A A1Q A1T A1C A1B A1H A1V A1K A1R A1E A1J )	41A9726	2
10	Power Supply, 220 Watt world wide (models A1U A1F A1S A1P A1L A1D A1Y A1G A1M A1A A1Q A1T A1C A1B A1H A1V A1K A1R )	41A9689	N
10	Power Supply, 220 Watt only for Japan (models A1E A1J )	41A9697	N
10	Power Supply, 220 Watt 80% world wide and Japan (models A1U A1F A1S A1P A1L A1D A1Y A1G A1M A1A A1Q A1T A1C A1B A1H A1V A1K A1R A1E A1J )	41A9670	N
10	Power Supply, 280 Watt TFX Active PFC, world wide and Japan (models A1U A1F A1S A1P A1L A1D A1Y A1G A1M A1A A1Q A1T A1C A1B A1H A1V A1K A1R A1E A1J )	41A9705	N

The FRUs listed in the following tables are not illustrated.

7062 FRUs	FRU#	CRU
Fru rear IO shield ATX,for RX 780,Atlantic (all models)	41R6383	N
FDD Cable (all models)	41A7147	2
Cabel-SATA 250mm (RoHS) (all models)	43N9012	2
EMC Shield, Blank 5.25 (all models)	41N8271	2
EMC Shield, Blank FDD (all models)	41N8273	2
Cover, Rocky S3 (all models)	41N8204	2
Mechanical shell kit Rocky S4 (all models)	43N9374	N
Bezel kit, Rocky S3 without IBM logo (all models)	41R6238	2
Misc Hardware Kit (all models)	41N8209	2
HDD Bracket Asm (plastic and grommets) (all models)	41N8210	2
HDD Fan and bracket asm (all models)	41R6325	2
Speaker Cable Asm, 600 mm cable length (all models)	41N8217	2
Rear Com2 cable II LP (all models)	42Y8008	2
Rear USB 2Ports II LP (all models)	42Y8006	2

<b>7062 FRUs</b>	<b>FRU#</b>	<b>CRU</b>
Foot stand ASM for ACE rocky S3 (all models)	41R4813	1
Instruction switch Asm (all models)	41R6208	2
RM Asm, AMD (all models)	41R2507	N
Temp Sense Cable (165 mm) (all models)	43N9079	2

<b>7062 Keyboards (Lenovo Preferred Pro USB -- without hub)</b>	<b>FRU#</b>	<b>CRU Tier</b>
USB FULL--US English (models A1U A1L A1G A1M A1A A1Q A1H A1R A1E )	41A5289	1
USB FULL--Arabic (models A1G )	41A5290	1
USB FULL--Arabic/French (models A1G )	41A5291	1
USB FULL--Belgian/French (models A1G )	41A5292	1
USB FULL--Belgium English (models A1G )	41A5293	1
USB FULL--Brazilian Portuguese (models A1P)	41A5294	1
USB FULL--Bulgarian (models A1G )	41A5295	1
USB FULL--Chinese/US (models A1B A1V )	41A5296	1
USB FULL--Czech (ABB) (models A1G)	41A5297	1
USB FULL--Danish (models A1G)	41A5298	1
USB FULL--Dutch (models A1G)	41A5299	1
USB FULL--French (models A1G)	41A5300	1
USB FULL--French Canadian (models A1F A1G )	41A5301	1
USB FULL--French Canadian (models A1F A1G )	41A5302	1
USB FULL--German (models A1G)	41A5303	1
USB FULL--Greek (models A1G)	41A5304	1
USB FULL--Greek/US (models A1G)	41A5305	1
USB FULL--Hebrew (models A1G)	41A5306	1
USB FULL--Hungarian (models A1G)	41A5307	1
USB FULL--Iceland (models A1G )	41A5308	1
USB FULL--Italy (models A1G)	41A5309	1
USB FULL--Japanese (models A1J )	41A5310	1
USB FULL--Korean (models A1K)	41A5311	1
USB FULL--LA Spanish (models A1S A1D A1Y)	41A5312	1
USB FULL--Norwegian (models A1G)	41A5313	1
USB FULL--Polish (models A1G)	41A5314	1
USB FULL--Portugese (models A1G)	41A5315	1
USB FULL--Romanian (models A1G)	41A5317	1
USB FULL--Russian/Cyrillic (models A1G)	41A5318	1
USB FULL--Serbian/Cyrillic (models A1G)	41A5319	1
USB FULL--Slovak (models A1G)	41A5320	1
USB FULL--Spanish (models A1G)	41A5321	1

<b>7062 Keyboards (Lenovo Preferred Pro USB -- without hub)</b>	<b>FRU#</b>	<b>CRU Tier</b>
USB FULL--Swedish/Finnish (models A1G)	41A5322	1
USB FULL--Swiss F/G (models A1G)	41A5323	1
USB FULL--Thailand (models A1T)	41A5324	1
USB FULL--Turkish (models A1G)	41A5325	1
USB FULL--Turkish (models A1G)	41A5326	1
USB FULL--UK English (models A1G)	41A5327	1
USB FULL--US Euro (models A1G)	41A5328	1
USB FULL--Slovenian (models)	41A5329	1

<b>7062 Keyboards (Lenovo Fingerprint Reader USB)</b>	<b>FRU#</b>	<b>CRU Tier</b>
US English (models)	41R0038	1
Arabic (models)	41R0039	1
Arabic/French (models)	41R0040	1
Belgian/French (models)	41R0041	1
Belgium English (models)	41R0042	1
Brazilian Portuguese (models)	41R0043	1
Bulgarian (models)	41R0044	1
Chinese/US (models)	41R0045	1
Czech (ABB) (models)	41R0046	1
Danish (models)	41R0047	1
Dutch (models)	41R0048	1
French (models)	41R0049	1
French Canadian (models)	41R0050	1
French Canadian (models)	41R0051	1
German (models)	41R0052	1
Greek (models)	41R0053	1
Greek/US (models)	41R0054	1
Hebrew (models)	41R0055	1
Hungarian (models)	41R0056	1
Iceland (models)	41R0057	1
Italy (models)	41R0058	1
Japanese (models)	41R0059	1
Korean (models)	41R0060	1
LA Spanish (models)	41R0061	1
Norwegian (models)	41R0062	1
Polish (models)	41R0063	1
Portuguese (models)	41R0064	1
Romanian (models)	41R0065	1

<b>7062 Keyboards (Lenovo Fingerprint Reader USB)</b>	<b>FRU#</b>	<b>CRU Tier</b>
Romanian (models)	41R0066	1
Russian/Cyrillic (models)	41R0067	1
Serbian/Cyrillic (models)	41R0068	1
Slovak (models)	41R0069	1
Spanish (models)	41R0070	1
Swedish/Finnish (models)	41R0071	1
Swiss F/G (models)	41R0072	1
Thailand (models)	41R0073	1
Turkish (models)	41R0074	1
Turkish (models)	41R0075	1
UK English (models)	41R0076	1
US Euro (models)	41R0077	1
Slovenian (models)	41R0078	1

<b>7062 Keyboards (Lenovo Preferred Pro PS/2 Full Size)</b>	<b>FRU#</b>	<b>CRU Tier</b>
PS/2 Full--US English (models)	41A5039	1
PS/2 Full--Arabic (models)	41A5040	1
PS/2 Full--Arabic/French (models)	41A5041	1
PS/2 Full--Belgian/French (models)	41A5042	1
PS/2 Full--Belgium English (models)	41A5043	1
PS/2 Full--Brazilian Portuguese (models)	41A5044	1
PS/2 Full--Bulgarian (models)	41A5045	1
PS/2 Full--Chinese/US (models)	41A5046	1
PS/2 Full--Czech (ABB) (models)	41A5047	1
PS/2 Full--Danish (models)	41A5048	1
PS/2 Full--Dutch (models)	41A5049	1
PS/2 Full--French (models)	41A5050	1
PS/2 Full--French Canadian (models)	41A5051	1
PS/2 Full--French Canadian (models)	41A5052	1
PS/2 Full--German (models)	41A5053	1
PS/2 Full--Greek (models)	41A5054	1
PS/2 Full--Greek/US (models)	41A5080	1
PS/2 Full--Hebrew (models)	41A5055	1
PS/2 Full--Hungarian (models)	41A5056	1
PS/2 Full--Iceland (models)	41A5057	1
PS/2 Full--Italy (models)	41A5058	1
PS/2 Full--Japanese (models)	41A5059	1
PS/2 Full--Korean (models)	41A5060	1

<b>7062 Keyboards (Lenovo Preferred Pro PS/2 Full Size)</b>	<b>FRU#</b>	<b>CRU Tier</b>
PS/2 Full--LA Spanish (models)	41A5061	1
PS/2 Full--Norwegian (models)	41A5062	1
PS/2 Full--Polish (models)	41A5063	1
PS/2 Full--Portugese (models)	41A5064	1
PS/2 Full--Romanian (models)	41A5065	1
PS/2 Full--Russian/Cyrillic (models)	41A5066	1
PS/2 Full--Serbian/Cyrillic (models)	41A5067	1
PS/2 Full--Slovak (models)	41A5068	1
PS/2 Full--Spanish (models)	41A5069	1
PS/2 Full--Swedish/Finnish (models)	41A5070	1
PS/2 Full--Swiss F/G (models)	41A5071	1
PS/2 Full--Thailand (models)	41A5072	1
PS/2 Full--Turkish (models)	41A5073	1
PS/2 Full--Turkish (models)	41A5074	1
PS/2 Full--UK English (models)	41A5075	1
PS/2 Full--US Euro (models)	41A5076	1
PS/2 Full--Slovenian (models)	41A5077	1

<b>7062 mice</b>	<b>FRU#</b>	<b>CRU</b>
Optical Wheel Mouse OPT (400DPI, USB) (models A1U A1F A1S A1P A1L A1D A1Y A1G A1M A1A A1Q A1T A1C A1B A1H A1V A1K A1R A1E A1J )	41U3013	1
Optical Wheel Mouse OPT (400DPI, USB) (models A1U A1F A1S A1P A1L A1D A1Y A1G A1M A1A A1Q A1T A1C A1B A1H A1V A1K A1R A1E A1J )	41U3030	1
PS/2 Three Button ball mouse scrollpoint (41R0017) (models)	41R0018	1

<b>7062 Adapters and miscellaneous FRUs</b>	<b>FRU#</b>	<b>CRU</b>
Internal USB Memory Card Reader floppy bay (models)	41R3378	2
Internal 20 in 1 USB Memory Card Reader (models CTO)	45R8139	1
NVIDIA GeForce 9300 GE 256M Low Profile (1*DVI) (Rockey) (models CTO)	53Y5823	2
ATI HD 2600XT 512MB 128BIT ATX (models)	43C0261	2
IEEE 1394 Firewire Adapter SFF (models)	41D2781	2
IEEE 1394 Firewire Adapter ATX (models)	41D2781	2
Soft Modem V.90/V.44 SFF (models)	29R9729	2
Soft Modem V.90/V.44 ATX (models)	29R9729	2
ATI HD 2400PRO 128MB 64BIT DMS59 LP (models)	43C0259	2
ATI HD 2400PRO 128MB 64BIT DMS59 ATX (models)	43C0259	2
ATI HD 2400XT 256MB 64BIT DMS59 LP Secondary (rocky) (models)	64Y3997	2
Speaker Power brick - US, Canada, LA low voltage, ASEAN (models A1U)	89P8571	1
Speaker Power brick - LA high voltage (non-APU) (models)	89P8575	1

<b>7062 Adapters and miscellaneous FRUs</b>	<b>FRU#</b>	<b>CRU</b>
Speaker Power brick - SIMPLIFIED -CHN, Thailand EMEA(models A1G A1C )	89P8581	1
Speaker Power brick - Japan (models)	89P8577	1
Speaker Power brick - Brazil (models)	89P8583	1
Speaker Power brick - Argentina (models)	41A4901	1
Speaker Power brick - ANZ (models A1M )	89P8579	1
Speaker Power brick - Korean (models)	41A4903	1
Speaker Power brick - Hong Kong, EMEA (models A1G )	89P8573	1
Speaker Power brick -TAIWAN-TC (models A1V)	41A4905	1
Speaker Power brick - India, South Africa (models A1Q)	89P8585	1
Dongle DMS Dule DMS-59 to dual VGA Cable (models)	42Y8181	2
Dongle DMS Dule DMS-59 to dual DVI Cable (models)	41X6398	2
Dongle DMS Dule DMS-59 to single VGA & single DVI Cable (models)	42Y8183	2
2-pc external speaker--primary (models)	41A5331	1
2-pc external speaker-secondary (models)	41A5334	1
DVI-I(M)-VGA(F) cord (models CTO)	41R3342	2
Battery 3V- Lithium (models A1U A1F A1S A1P A1L A1D A1Y A1G A1M A1A A1Q A1T A1C A1B A1H A1V A1K A1R A1E A1J)	45C1566	1
HD 3470 256M 64bit DP ATX/LP (models)	64Y4498	2
DP to DVI dongle (models)	43N9160	2
Bitland 88E8075 1000M PCIE DASH NIC FH (R)(Rocky) (models)	53Y4008	2
AMD Display Port card LP® (Rocky) (models)	53Y4002	1

<b>7062 Power Cords</b>	<b>FRU#</b>	<b>CRU</b>
Power cord - US (models A1U A1F A1S A1L A1Y A1A A1T )	41R3184	1
Power cord - US (models A1U A1F A1S A1L A1Y A1A A1T )	41R3185	1
Power cord - China (models A1C )	41R3256	1
Power cord - China (models A1C )	41R3257	1
Power cord - Japanese and Japanese English (models A1E A1J)	41R3248	1
Power cord - Japanese and Japanese English (models A1E A1J)	41R3249	1
Power cord - Brazil (Portigese) (models)	41R3270	1
Power cord - Brazil (Portigese) (models)	41R3271	1
Power cord - LA High Volt (APU) (models)	41R3176	1
Power cord - LA High Volt (APU) (models)	41R3177	1
Power cord - ANZ (models)	41R3196	1
Power cord - ANZ (models)	41R3197	1
Power cord - Korea (models)	41R3260	1
Power cord - Korea (models)	41R3261	1
Power cord - UK, Ireland, Singapore, Malaysia, Brunei, Hongkong (models A1B A1H)	41R3224	1
Power cord - UK, Ireland, Singapore, Malaysia, Brunei, Hongkong (models A1B A1H)	41R3225	1

<b>7062 Power Cords</b>	<b>FRU#</b>	<b>CRU</b>
Power cord - Taiwan (models A1V )	41R3278	1
Power cord - Taiwan (models A1V )	41R3279	1
Power cord - Italy (models)	41R3232	1
Power cord - Italy (models)	41R3233	1
Power cord - Indonesia, Laos, Cambodia, Vietnam, Austria, Belgium, Croatia, Czechoslovakia, Finland, France, Germany, Hungary, Netherlands, Norway, Poland, Portugal, Romania, Spain, Sweden (models A1U A1F A1S A1L A1Y A1A A1T )	41R3208	1
Power cord - Indonesia, Laos, Cambodia, Vietnam, Austria, Belgium, Croatia, Czechoslovakia, Finland, France, Germany, Hungary, Netherlands, Norway, Poland, Portugal, Romania, Spain, Sweden (models A1U A1F A1S A1L A1Y A1A A1T )	41R3209	1
Power cord - Denmark (models A1G )	41R3212	1
Power cord - Denmark (models A1G )	41R3213	1
Power cord - Switzerland (models A1G )	41R3228	1
Power cord - Switzerland (models A1G )	41R3229	1
Power cord - Israel (models A1G )	41R3236	1
Power cord - Israel (models A1G )	41R3237	1
Power cord - South Africa (models A1G A1M A1A )	41R3220	1
Power cord - South Africa (models A1G A1M A1A )	41R3221	1
Power cord - India (models A1Q)	41R3341	1
Power cord - India (models A1Q)	41R3175	1
Power cord - Thailand (models)	43N9029	1
Power cord - Thailand (models CTO)	43N9030	1
Power cord - Brazil (models)	43N9044	1

<b>7062 Windows XP Home Recovery CDs</b>	<b>FRU#</b>	<b>CRU</b>
US English/UK/Asia Pacific (models)	TBD	1
French/French Canadian (models)	TBD	1
Greek (models)	TBD	1
Italy (models)	TBD	1
Brazilian (models)	TBD	1
Spanish/LA (models)	TBD	1
Danish (models)	TBD	1
Dutch (models)	TBD	1
Arabic (models)	TBD	1
SV (Swedish) (models)	TBD	1
Hebrew (models)	TBD	1
Finnish (models)	TBD	1
Norwegian (models)	TBD	1
Polish (models)	TBD	1
Portugese (models)	TBD	1

<b>7062 Windows XP Home Recovery CDs</b>	<b>FRU#</b>	<b>CRU</b>
Russian (models)	TBD	1
Russian English (models)	TBD	1
Hungarian (models)	TBD	1
Czech (models)	TBD	1
Turkish native (models)	TBD	1
Greek (models)	TBD	1
Japanese (models)	TBD	1
Simplified Chinese (models)	TBD	1
Taiwan-TC (models)	TBD	1
Hong Kong-TC (models)	TBD	1
Korean (models)	TBD	1

<b>7062 Windows XP Pro Recovery CDs</b>	<b>FRU#</b>	<b>CRU</b>
English (models)	64Y5588	1
Japanese (models)	64Y6202	1
Simplified Chinese (models)	64Y5590	1
Spanish (models)	64Y5591	1
French (models)	64Y5592	1
Italian (models)	64Y5593	1
Brazilian Portuguese (models)	64Y5594	1
German (models)	64Y5595	1
Hong Kong (models)	64Y5596	1
Swedish (models)	64Y5597	1
Danish (models)	64Y5598	1
Norway (models)	64Y5599	1
Finland (models)	64Y5600	1
Arabic (models)	64Y5601	1
Traditional Chinese (models)	64Y5602	1
Russian (models)	64Y5603	1
Polish (models)	64Y5604	1
Hebrew (models)	64Y5605	1
Korea (models)	64Y5606	1
Greek (models)	64Y5607	1
Turkish (models)	64Y5608	1
Dutch (models)	64Y5609	1
Slovenian (models)	64Y5610	1
Hungarian (models)	64Y5611	1
Czech (models)	64Y5612	1
Portuguese (models)	64Y5613	1



<b>7062 Windows XP Pro Recovery CDs</b>	<b>FRU#</b>	<b>CRU</b>
Russian English (models)	64Y5614	1
MUI Nordics (EN-DK-FI-NO-SV) (models CTO)	71Y6401	1
MUI Switz (EN-FR-GR-IT) (models CTO)	71Y6402	1
MUI Bel-Lux (EN-FR-GR-NL) (models CTO)	71Y6403	1

<b>7062 Vista Home Basic 32 Recovery CDs</b>	<b>FRU#</b>	<b>CRU</b>
US English (models)	46R8053	1
French (models)	46R8057	1
German (models)	46R8060	1
Spanish (models)	46R8056	1
Brazilian (models)	46R8059	1
Italian (models)	46R8058	1
Japanese (models)	64Y6207	1
Dutch (models)	46R8070	1
Czech (models)	46R8074	1
Polish (models)	46R8065	1
Russian (models)	46R8064	1
Turkish (models)	46R8069	1
Hungarian (models)	46R8073	1
Greek (models)	46R8068	1
Portuguese (models)	46R8077	1
Hong Kong (models)	46R8061	1
Traditional Chinese (models)	46R8063	1
Korean (models)	46R8067	1
Slovenian (models)	46R8071	1
Russian English (models)	46R8078	1
Hebrew (models)	46R8066	1
Arabic Localized (models)	46R8062	1
Slovakian (models)	46R8075	1
Simplified Chinese (models)	46R8055	1
Serbian-Latin (models)	46R8076	1
Romanian (models)	46R8072	1
Belgium-Luxembourg (models)	53Y4230	1
Switzerland (models)	53Y4231	1
Nordics (models)	53Y4232	1

<b>7062 Vista Business 32 Recovery CDs</b>	<b>FRU#</b>	<b>CRU</b>
US English (models A1U A1L A1G A1M A1A A1Q A1H A1R A1E )	46R8079	1
French (models A1F A1G )	46R8083	1

<b>7062 Vista Business 32 Recovery CDs</b>	<b>FRU#</b>	<b>CRU</b>
German (models A1G )	46R8086	1
Spanish (models A1G )	46R8082	1
Brazilian (models)	46R8085	1
Italian (models A1G )	46R8084	1
Japanese (models A1J )	64Y6205	1
English for Indian (models A1U A1L A1G A1M A1A A1Q A1H A1R A1E)	64Y9435	1
Dutch (models A1G )	46R8096	1
Czech (models A1G )	46R8100	1
Polish (models A1G )	46R8091	1
Russian (models A1G )	46R8090	1
Turkish (models A1G )	46R8095	1
Hungarian (models A1G )	46R8099	1
Greek (models A1G )	46R8094	1
Portuguese (models A1G )	46R8103	1
Simplified Chinese (models)	46R8081	1
Hong Kong (models)	46R8087	1
Traditional Chinese (models)	46R8089	1
Korean (models A1K)	46R8093	1
Slovenian (models)	46R8097	1
Russian English (models A1G )	46R8104	1
Romanian (models A1G )	46R8098	1
Sebian-Latin (models)	46R8102	1
Hebrew (models A1G )	46R8092	1
Arabic Localized (models)	46R8088	1
Slovakian (models A1G )	46R8101	1
Belgium-Luxembourg (models A1U A1L A1G A1M A1A A1Q A1H A1R A1E)	53Y4233	1
Switzerland (models A1G)	53Y4234	1
Nordics (models A1G)	53Y4235	1

<b>7062 Vista Premium 32 Recovery CDs</b>	<b>FRU#</b>	<b>CRU</b>
US English (models)	46R8141	1
French (models)	46R8143	1
German (models)	46R8144	1
Spanish (models)	46R8145	1
Italian (models)	46R8146	1
Japanese (models)	64Y6208	1
Hong Kong (models)	46R8147	1
Korean (models)	46R8148	1
Athens Vista SP1 MUL 1 P/N's VHP32 (EN FR GR NL) (models)	53Y4236	1

<b>7062 Vista Premium 32 Recovery CDs</b>	<b>FRU#</b>	<b>CRU</b>
Athens Vista SP1 MUL 2 P/N's VHP32 (EN FR GR IT) (models)	53Y4237	1
Athens Vista SP1 MUL 3P/N's VHP32 (EN DK FI NO SV) (models)	53Y4238	1

<b>7062 Vista Business 64 Recovery CDs</b>	<b>FRU#</b>	<b>CRU</b>
US English (models)	46R8131	1
French (models)	46R8134	1
German (models)	46R8135	1
Japanese (models)	64Y6210	1
Simplified Chinese (models)	46R8133	1

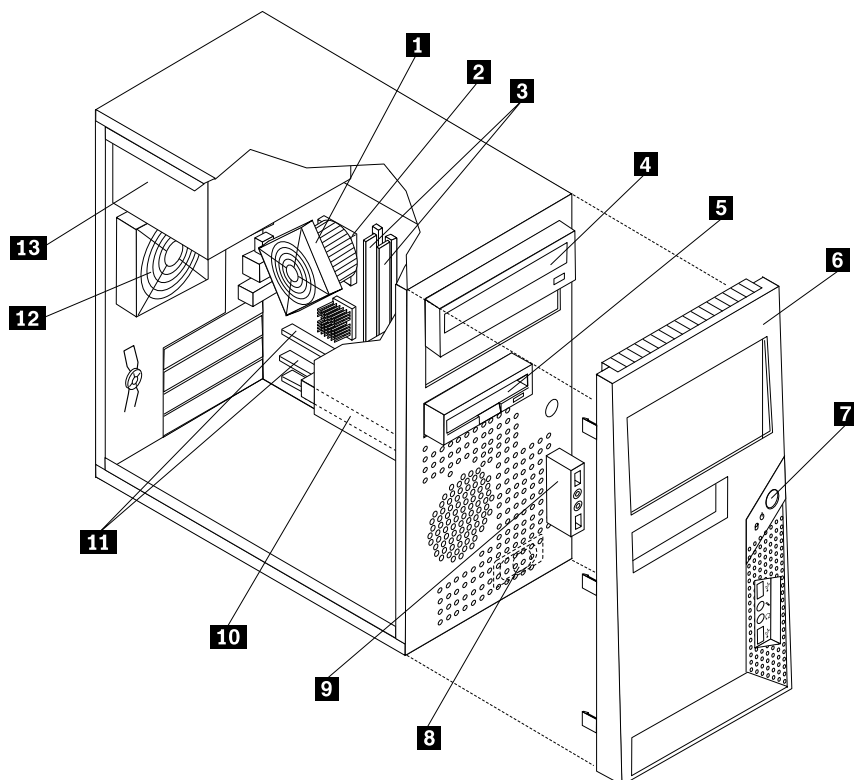
<b>7062 Vista Ultimate 32 Recovery CDs</b>	<b>FRU#</b>	<b>CRU</b>
US English (models)	46R8149	1
Japanese (models)	64Y6209	1
French (models)	46R8151	1
German (models)	46R8152	1
Spanish (models)	46R8153	1
Italian (models)	46R8154	1
Hong Kong (models)	46R8155	1
Arabic Localized (models)	46R8156	1
Athens Vista SP1 MUL 1 P/N's VU32 (EN DK FI NO SV) (models)	53Y4239	1

<b>7062 Vista Starter 32 Recovery CDs</b>	<b>FRU#</b>	<b>CRU</b>
English (models)	46R8052	1

<b>7062 Vista Home Premium 64 Recovery CDs</b>	<b>FRU#</b>	<b>CRU</b>
US (models)	71Y6634	1
French (models)	71Y6635	1

<b>7062 Win7 Professional 32</b>	<b>FRU#</b>	<b>CRU</b>
Brazilian Portuguese (all models)	89Y0454	1

## Machine Type 7090



Item #	7090 FRUs	FRU#	CRU
1	AMD 89W&65W 4Pin heatsink (all models)	41R6407	2
2	Microprocessor, Athlon64 4800+ X2 (2.50GHz, 1M L2, 65W) G1 65nm (models)	43C4093	N
2	Microprocessor, Athlon64 5000+ X2 (2.60GHz, 1M L2, 65W) G1 65nm (models)	41X1427	N
2	Microprocessor, Athlon 1640B (2.70GHz, 512K L2, 45W) G2 65nm (models)	45R6488	N
2	Microprocessor, Athlon64 5200+ X2 (2.70GHz, 1M L2, 65W) G1 65nm (models)	45C7502	N
2	Microprocessor, Athlon64 5400B X2(2.80GHz, 1M L2, 65W) G2 65nm (models)	45R6486	N
2	Microprocessor, Athlon64 5600+ X2 (2.90GHz, 1M L2, 89W) G2 65nm (models)	45C7504	N
2	Microprocessor, Athlon BE-2350 X2 (2.10GHz, 1M L2, 45W) G2 65nm (models)	43C6166	N
2	Microprocessor, Athlon BE-2400 X2 (2.30GHz, 1M L2, 45W) G2 65nm (models)	43C6165	N
2	Microprocessor, Athlon 4450B X2 (2.30GHz, 1M L2, 45W) G2 65nm (models)	46R3624	N
2	Microprocessor, Athlon 5000B X2 (2.60GHz, 1M L2, 65W) G2 65nm (models 99G)	46R3625	N
2	Microprocessor, Athlon 5200B X2 (2.70GHz, 1M L2, 65W) G2 65nm (models)	46R3626	N
2	Microprocessor, Athlon LE-1660 (2.8 GHz, 512K L2, 45W) G2 65nm (models)	53Y7722	N
2	Microprocessor, Athlon X2 5600B (2.9 GHz, 1M L2, 65W) G2 65nm (models)	53Y7718	N
2	Microprocessor, Athlon64 X2 6000+ (3.1 GHz, 1M L2, 89W) G2 65nm (models)	53Y7720	N
2	Microprocessor, Athlon II X2 240 (2.8GHz, 2M Total Cache, AM3, 65W) C2 45nm (models 91Z)	64Y8012	N

Item #	7090 FRUs	FRU#	CRU
2	Microprocessor, Athlon II X2 245 (2.9GHz, 2M Total Cache, AM3, 65W) C2 45nm (models 91Z)	64Y8013	N
2	Microprocessor, Athlon II X3 435 (2.9GHz, 1.5M Total Cache, AM3, 95W) C2 45nm (models 91Z)	64Y8020	N
2	Microprocessor, Phenom II X2 550 (3.1GHz, 7M Total Cache, AM3, 80W) C2 45nm (models 91Z)	64Y8024	N
2	Microprocessor, Phenom II X2 555 (3.2 GHz, 7M Total Cache, AM3, 80W) C3 45nm (models 91Z)	89Y0793	N
2	Microprocessor, Phenom II X3 720 (2.8GHz, 7.5M Total Cache, AM3, 95W) C2 45nm (models 91Z)	64Y8030	N
2	Microprocessor, Phenom II X4 910 (2.6GHz, 8M Total Cache, AM3, 95W) C2 45nm (models 91Z)	64Y8035	N
2	Microprocessor, Sempron LE-1250 (2.20GHz, 512K L2, 45W) G2 65nm (models)	43C6168	N
2	Microprocessor, Sempron LE-1300 (2.30GHz, 512K L2, 45W) G2 65nm (models)	43C8986	N
2	Microprocessor, Sempron 2100 X2 (1.80GHz, 512K L2, 65W) G2 65nm (models)	46R3629	N
2	Microprocessor, Sempron 2200 X2 (2.00GHz, 512K L2, 65W) G2 65nm (models)	46R3630	N
2	Microprocessor, Sempron X2 2300 (2.2GHz, 512K L2, 65W) G2 65nm (models)	53Y7724	N
2	Microprocessor, Sempron 140 (2.7GHz, 1M Total Cache, AM3, 45W) C2 45nm (models 91Z)	71Y6414	N
2	Microprocessor, Phenom 8600B (2.30GHz, 1.5M L2, 2M L3, 95W) stepping B2 65nm (models)	45R6494	N
2	Microprocessor, Phenom 9550 (2.20GHz, 2M L2, 2M L3, 95W) stepping B3 65nm (models)	45R6496	N
2	Microprocessor, Phenom 9650 (2.30GHz, 2M L2, 2M L3, 95W) stepping B3 65nm (models)	45R6498	N
2	Microprocessor, Phenom 9600B (2.30GHz, 2M L2, 2M L3, 95W) stepping B2 65nm (models)	45R6500	N
2	Microprocessor, Phenom 8450 (2.10GHz, 1.5M L2, 2M L3, 95W) B3 65nm (models)	45R6490	N
2	Microprocessor, Phenom X3 8600B (2.3GHz, 1.5M L2, 2M L3, 95W) B3 65nm (models)	45R6494	N
2	Microprocessor, Phenom 9550 (2.20GHz, 2M L2, 2M L3, 95W) stepping B3 65nm (models CTO)	53Y7709	N
2	Microprocessor, Phenom X4 9750B (2.4 GHz, 512K / 2M L2, 95W) B3 65nm (models CTO)	53Y7711	N
2	Microprocessor, Athlon LE-1660 (2.8 GHz, 512K L2, 45W) G2 65nm (models CTO)	53Y7722	N
2	Microprocessor, Athlon X2 5600B (2.9 GHz, 1M L2, 65W) G2 65nm (models CTO)	53Y7718	N
2	Microprocessor, Athlon64 X2 6000+ (3.1 GHz, 1M L2, 89W) G2 65nm (models CTO)	53Y7720	N
2	Microprocessor, Sempron X2 2300 (2.2GHz, 512K L2, 65W) G2 65nm (models CTO)	53Y7724	N
3	Memory module, 512MB PC2-5300 (667MHz) DDR2 SDRAM (models)	41X4255	2
3	Memory module, 512MB PC2-6400 (800MHz) DDR2 SDRAM (models)	41X1079	2
3	Memory module, 1GB PC2-6400 (667MHz) DDR2 SDRAM (models 99G)	41X1080	2
3	Memory module, 2GB PC2-6400 (667MHz) DDR2 SDRAM (models)	41X1081	2
4	DVD-ROM Drive - 16x/48x - SATA Vista & non-Vista (models 99G)	41N3325	2

Item #	7090 FRUs	FRU#	CRU
4	DVD-ROM Drive - 16x/48x - With DVD playback software (models 99G)	71Y5543	2
4	DVD Recordable/CD-RW Rambo 8 - SATA Vista & non-Vista (models)	43C1042	2
4	DVD-RW/CD-RW Rambo 8 - With write software (models)	71Y5545	2
5	Diskette drive, 3.5" 1.44MB 2 Mode FDD with Bezel and cable (models)	40Y9105	2
5	Diskette drive, 3.5" 1.44MB 2 Mode FDD with Bezel and cable (models)	40Y9107	2
6	Bezel assembly, without IBM mark (all models)	41R6243	2
7	Power switch/LED assembly (all models)	41N5284	2
8	Speaker assembly, soldered terminals (all models)	39P5023	2
9	Front audio/USB assembly (all models)	41N8054	2
10	Hard disk drive, SATA 80GB 7200RPM/3Gb/8MB (models)	40Y9034	2
10	Hard disk drive, SATA 160GB 7200RPM/3Gb/8MB (models 99G)	40Y9035	2
10	Hard disk drive, SATA 160GB 7200RPM/3Gb/8MB (models 99G)	53Y6837	2
10	Hard disk drive, SATA 250GB 7200RPM/3Gb/8MB (models)	40Y9036	2
10	Hard disk drive, SATA 250GB 7200RPM/3Gb/8MB (models)	45K0408	2
10	Hard disk drive, SATA 320GB 7200rpm SATA/8MB (models)	87H4891	2
10	Hard disk drive, SATA 320GB 7200rpm SATA/8MB (models)	45K0409	2
10	Hard disk drive, SATA 500GB 7200RPM/3Gb/s/8MB (models)	41X5582	2
10	Hard disk drive, SATA 500GB 7200RPM/3Gb/s/8MB (models)	45K0410	2
11	System board, Planar AMD RS780 mATX (TOWER & ROCKYS) (models 99G)	71Y5724	N
11	System board, Planar AMD RS780 mATX GA Level - TPM Disable for Russia (models 99G)	71Y4994	N
11	System board, Planar AMD RS780 mATX GA Level - Support Phenom II X2 555 (models 91Z)	89Y1346	N
11	System board, Planar AMD RS780 mATX GA Level - Support Win7 and AM3 C2 CPU (models 91Z)	89Y1809	N
12	System fan, rear (all models)	41R6269	2
13	Power supply, ATX 280W (Robust, WW) (models 99G)	41A9684	2
13	Power supply, ATX 280W 80% (Robust, WW, JP) (models 99G)	41A9665	2
13	Power supply, ATX 310W (Robust, WW, JP) (models 99G)	41A9726	2
13	Power supply, 220W (Robust, WW) (models 99G)	41A9689	N
13	Power supply, 220W only for JP (models)	41A9697	N
13	Power supply, 220W 80% (Robust, WW, JP) (models 99G)	41A9670	N
13	Power supply, 280W TFX ,Active PFC, (Robust, WW, JP) (models 99G)	41A9705	N

The FRUs listed in the following tables are not illustrated.

7090 FRUs	FRU#	CRU
Cover (all models)	41N8050	2
Retainer, Card Reader (all models)	41R2913	2

<b>7090 FRUs</b>	<b>FRU#</b>	<b>CRU</b>
Front Fan AVC (all models)	41R4791	2
HDD Tray (all models)	41R6291	2
FDD cable, 325mm, (all models)	41A7182	2
Cabel -SATA 457mm (RoHS) (all models)	43N9013	2
Cabel-SATA 250mm (RoHS) (all models)	43N9012	2
Optional HDD Bracket Asm (all models)	41R6106	2
EMC Shield (all models)	41N8080	2
EMC Shield (all models)	41N8078	2
Rear IO shield ATX,for RX 780,Atlantic (all models)	41R6383	N
Intrusion Switch Asm (all models)	41R6116	2
Temp Sense cable for Armstrong (460 mm) (all models)	41R2509	2
Blank 5.25" Bezel (all models)	41N8077	2
Asm Chassis Without IBM Mark Atlantic (all models)	41R6408	5
ODD/FDD/Cardreader Retainers (all models)	43N9351	2
AMD thermal KIT (all models)	41R6407	2
Cable Clip, FW-6D (all models)	43N9462	2
Fru,Tamdhu chassis primary HDD cage (all models)	45K6272	2

<b>7090 Keyboards (Lenovo Preferred Pro USB -- without hub)</b>	<b>FRU#</b>	<b>CRU Tier</b>
USB FULL--US English (models 99G)	41A5289	1
USB FULL--Arabic (models 99G)	41A5290	1
USB FULL--Arabic/French (models 99G)	41A5291	1
USB FULL--Belgian/French (models)	41A5292	1
USB FULL--Belgium English (models 99G)	41A5293	1
USB FULL--Brazilian Portuguese (models)	41A5294	1
USB FULL--Bulgarian (models 99G)	41A5295	1
USB FULL--Chinese/US (models)	41A5296	1
USB FULL--Czech (ABB) (models 99G)	41A5297	1
USB FULL--Danish (models 99G)	41A5298	1
USB FULL--Dutch (models 99G)	41A5299	1
USB FULL--French (models 99G)	41A5300	1
USB FULL--French Canadian (models 99G)	41A5301	1
USB FULL--French Canadian (models 99G)	41A5302	1
USB FULL--German (models 99G)	41A5303	1
USB FULL--Greek (models 99G)	41A5304	1
USB FULL--Greek/US (models 99G)	41A5305	1
USB FULL--Hebrew (models 99G)	41A5306	1
USB FULL--Hungarian (models 99G)	41A5307	1

<b>7090 Keyboards (Lenovo Preferred Pro USB -- without hub)</b>	<b>FRU#</b>	<b>CRU Tier</b>
USB FULL--Iceland (models 99G)	41A5308	1
USB FULL--Italy (models 99G)	41A5309	1
USB FULL--Japanese (models)	41A5310	1
USB FULL--Korean (models)	41A5311	1
USB FULL--LA Spanish (models)	41A5312	1
USB FULL--Norwegian (models 99G)	41A5313	1
USB FULL--Polish (models 99G)	41A5314	1
USB FULL--Portugese (models 99G)	41A5315	1
USB FULL--Romanian (models 99G)	41A5317	1
USB FULL--Russian/Cyrillic (models 99G)	41A5318	1
USB FULL--Serbian/Cyrillic (models 99G)	41A5319	1
USB FULL--Slovak (models 99G)	41A5320	1
USB FULL--Spanish (models 99G)	41A5321	1
USB FULL--Swedish/Finnish (models 99G)	41A5322	1
USB FULL--Swiss F/G (models 99G)	41A5323	1
USB FULL--Thailand (models)	41A5324	1
USB FULL--Turkish (models 99G)	41A5325	1
USB FULL--Turkish (models 99G)	41A5326	1
USB FULL--UK English (models 99G)	41A5327	1
USB FULL--US Euro (models 99G)	41A5328	1
USB FULL--Slovenian (models)	41A5329	1

<b>7090 Keyboards (Lenovo Fingerprint Reader USB)</b>	<b>FRU#</b>	<b>CRU Tier</b>
US English (models)	41R0038	1
Arabic (models)	41R0039	1
Arabic/French (models)	41R0040	1
Belgian/French (models)	41R0041	1
Belgium English (models)	41R0042	1
Brazilian Portuguese (models)	41R0043	1
Bulgarian (models)	41R0044	1
Chinese/US (models)	41R0045	1
Czech (ABB) (models)	41R0046	1
Danish (models)	41R0047	1
Dutch (models)	41R0048	1
French (models)	41R0049	1
French Canadian (models)	41R0050	1
French Canadian (models)	41R0051	1
German (models)	41R0052	1



<b>7090 Keyboards (Lenovo Fingerprint Reader USB)</b>	<b>FRU#</b>	<b>CRU Tier</b>
Greek (models)	41R0053	1
Greek/US (models)	41R0054	1
Hebrew (models)	41R0055	1
Hungarian (models)	41R0056	1
Iceland (models)	41R0057	1
Italy (models)	41R0058	1
Japanese (models)	41R0059	1
Korean (models)	41R0060	1
LA Spanish (models)	41R0061	1
Norwegian (models)	41R0062	1
Polish (models)	41R0063	1
Portuguese (models)	41R0064	1
Romanian (models)	41R0065	1
Romanian (models)	41R0066	1
Russian/Cyrillic (models)	41R0067	1
Serbian/Cyrillic (models)	41R0068	1
Slovak (models)	41R0069	1
Spanish (models)	41R0070	1
Swedish/Finnish (models)	41R0071	1
Swiss F/G (models)	41R0072	1
Thailand (models)	41R0073	1
Turkish (models)	41R0074	1
Turkish (models)	41R0075	1
UK English (models)	41R0076	1
US Euro (models)	41R0077	1
Slovenian (models)	41R0078	1

<b>7090 Keyboards (Lenovo Preferred Pro PS/2 Full Size)</b>	<b>FRU#</b>	<b>CRU Tier</b>
PS/2 Full--US English (models)	41A5039	1
PS/2 Full--Arabic (models)	41A5040	1
PS/2 Full--Arabic/French (models)	41A5041	1
PS/2 Full--Belgian/French (models)	41A5042	1
PS/2 Full--Belgium English (models)	41A5043	1
PS/2 Full--Brazilian Portuguese (models)	41A5044	1
PS/2 Full--Bulgarian (models)	41A5045	1
PS/2 Full--Chinese/US (models)	41A5046	1
PS/2 Full--Czech (ABB) (models)	41A5047	1
PS/2 Full--Danish (models)	41A5048	1

<b>7090 Keyboards (Lenovo Preferred Pro PS/2 Full Size)</b>	<b>FRU#</b>	<b>CRU Tier</b>
PS/2 Full--Dutch (models)	41A5049	1
PS/2 Full--French (models)	41A5050	1
PS/2 Full--French Canadian (models)	41A5051	1
PS/2 Full--French Canadian (models)	41A5052	1
PS/2 Full--German (models)	41A5053	1
PS/2 Full--Greek (models)	41A5054	1
PS/2 Full--Greek/US (models)	41A5080	1
PS/2 Full--Hebrew (models)	41A5055	1
PS/2 Full--Hungarian (models)	41A5056	1
PS/2 Full--Iceland (models)	41A5057	1
PS/2 Full--Italy (models)	41A5058	1
PS/2 Full--Japanese (models)	41A5059	1
PS/2 Full--Korean (models)	41A5060	1
PS/2 Full--LA Spanish (models)	41A5061	1
PS/2 Full--Norwegian (models)	41A5062	1
PS/2 Full--Polish (models)	41A5063	1
PS/2 Full--Portugese (models)	41A5064	1
PS/2 Full--Romanian (models)	41A5065	1
PS/2 Full--Russian/Cyrillic (models)	41A5066	1
PS/2 Full--Serbian/Cyrillic (models)	41A5067	1
PS/2 Full--Slovak (models)	41A5068	1
PS/2 Full--Spanish (models)	41A5069	1
PS/2 Full--Swedish/Finnish (models)	41A5070	1
PS/2 Full--Swiss F/G (models)	41A5071	1
PS/2 Full--Thailand (models)	41A5072	1
PS/2 Full--Turkish (models)	41A5073	1
PS/2 Full--Turkish (models)	41A5074	1
PS/2 Full--UK English (models)	41A5075	1
PS/2 Full--US Euro (models)	41A5076	1
PS/2 Full--Slovenian (models)	41A5077	1

<b>7090 mice</b>	<b>FRU#</b>	<b>CRU</b>
Optical Wheel Mouse (400DPI, USB) (models 99G)	41U3013	1
Optical Wheel Mouse (400DPI, USB) (models 99G)	41U3030	1
PS/2 Three Button ball mouse (41R0017) (models)	41R0018	1

<b>7090 Adapters and miscellaneous FRUs</b>	<b>FRU#</b>	<b>CRU</b>
Internal USB Memory Card Reader floppy bay (models)	41R3378	2
Internal 20 in 1 USB Memory Card Reader (models)	45R8139	1

<b>7090 Adapters and miscellaneous FRUs</b>	<b>FRU#</b>	<b>CRU</b>
ATI HD 2600XT 512MB 128BIT ATX (models)	43C0261	2
NVIDIA GeForce 9300 GE 256M Full Height (DVI+VGA) (TOWER) (models CTO)	45R5494	2
IEEE 1394 Firewire Adapter SFF (models)	41D2781	2
IEEE 1394 Firewire Adapter ATX (models)	41D2781	2
Soft Modem V.90/V.44 ATX (TOWER) (models CTO )	46R4220	2
Soft Modem V.90/V.44 ATX (models)	29R9729	2
ATI HD 2400PRO 128MB 64BIT DMS59 LP (models)	43C0259	2
ATI HD 2400PRO 128MB 64BIT DMS59 ATX (models)	43C0259	2
ATI HD 2400XT 256MB 64BIT DMS59 LP Secondary (models)	46R4160	2
ATI HD 2400XT 256MB 64BIT DMS59 ATX Secondary (models)	46R4160	2
Speaker Power brick - US, Canada, LA low voltage, ASEAN (models)	89P8571	1
Speaker Power brick - LA high voltage (non-APU) (models)	89P8575	1
Speaker Power brick - SIMPLIFIED -CHN, Thailand EMEA (models 99G)	89P8581	1
Speaker Power brick - Japan (models)	89P8577	1
Speaker Power brick - Brazil (models)	89P8583	1
Speaker Power brick - Argentina (models)	41A4901	1
Speaker Power brick - ANZ (models)	89P8579	1
Speaker Power brick - Korean (models)	41A4903	1
Speaker Power brick - Hong Kong, EMEA (models 99G)	89P8573	1
Speaker Power brick -TAIWAN-TC (models)	41A4905	1
Speaker Power brick - India, South Africa (models)	89P8585	1
Dongle DMS Dule DMS-59 to dual VGA Cable (models)	42Y8181	2
Dongle DMS Dule DMS-59 to dual DVI Cable (models)	41X6398	2
Dongle DMS Dule DMS-59 to single VGA & single DVI Cable (models)	42Y8183	2
2-pc external speaker--primary (models)	41A5331	1
2-pc external speaker-secondary (models)	41A5334	1
DVI-I(M)-VGA(F) cord (models)	41R3342	2
Battery 3V- Lithium (models 99G)	45C1566	1
MSI 9500GT 512MB 128BIT ATX (TOWER) (models)	46R1524	2
HD 3470 256M 64bit DP ATX/LP (models)	46R1521	2
DP to DVI dongle (models)	43N9160	2
Bitland 88E8075 1000M PCIE DASH NIC FH (R)(Rocky) (models)	53Y4008	2
AMD Display Port card LP® (Rocky) (models)	53Y4002	1

<b>7090 Power Cords</b>	<b>FRU#</b>	<b>CRU</b>
Power cord - US (models)	41R3184	1
Power cord - US (models)	41R3185	1
Power cord - China (models)	41R3256	1
Power cord - China (models)	41R3257	1

<b>7090 Power Cords</b>	<b>FRU#</b>	<b>CRU</b>
Power cord - Japanese and Japanese English (models)	41R3248	1
Power cord - Japanese and Japanese English (models)	41R3249	1
Power cord - Brazil (Portigese) (models)	41R3270	1
Power cord - Brazil (Portigese) (models)	41R3271	1
Power cord - LA High Volt (APU) (models)	41R3176	1
Power cord - LA High Volt (APU) (models)	41R3177	1
Power cord - ANZ (models)	41R3196	1
Power cord - ANZ (models)	41R3197	1
Power cord - Korea (models)	41R3260	1
Power cord - Korea (models)	41R3261	1
Power cord - UK, Ireland, Singapore, Malaysia, Brunei, Hongkong (models)	41R3224	1
Power cord - UK, Ireland, Singapore, Malaysia, Brunei, Hongkong (models)	41R3225	1
Power cord - Taiwan (models)	41R3278	1
Power cord - Taiwan (models)	41R3279	1
Power cord - Italy (models)	41R3232	1
Power cord - Italy (models)	41R3233	1
Power cord - Indonesia, Laos, Cambodia, Vietnam, Austria, Belgium, Croatia, Czechoslovakia, Finland, France, Germany, Hungary, Netherlands, Norway, Poland, Portugal, Romania, Spain, Sweden (models)	41R3208	1
Power cord - Indonesia, Laos, Cambodia, Vietnam, Austria, Belgium, Croatia, Czechoslovakia, Finland, France, Germany, Hungary, Netherlands, Norway, Poland, Portugal, Romania, Spain, Sweden (models)	41R3209	1
Power cord - Denmark (models 99G)	41R3212	1
Power cord - Denmark (models 99G)	41R3213	1
Power cord - Switzerland (models 99G)	41R3228	1
Power cord - Switzerland (models 99G)	41R3229	1
Power cord - Israel (models 99G)	41R3236	1
Power cord - Israel (models 99G)	41R3237	1
Power cord - South Africa (models 99G)	41R3220	1
Power cord - South Africa (models 99G)	41R3221	1
Power cord - India (models)	41R3341	1
Power cord - India (models)	41R3175	1
Power cord - Thailand (models)	43N9029	1
Power cord - Thailand (models)	43N9030	1
Power cord - Brazil (models)	43N9044	1

<b>7090 Windows XP Home Recovery CDs</b>	<b>FRU#</b>	<b>CRU</b>
US English/UK/Asia Pacific (models)	TBD	1
French/French Canadian (models)	TBD	1
Greek (models)	TBD	1

<b>7090 Windows XP Home Recovery CDs</b>	<b>FRU#</b>	<b>CRU</b>
Italy (models)	TBD	1
Brazilian (models)	TBD	1
Spanish/LA (models)	TBD	1
Danish (models)	TBD	1
Dutch (models)	TBD	1
Arabic (models)	TBD	1
SV (Swedish) (models)	TBD	1
Hebrew (models)	TBD	1
Finnish (models)	TBD	1
Norwegian (models)	TBD	1
Polish (models)	TBD	1
Portugese (models)	TBD	1
Russian (models)	TBD	1
Russian English (models)	TBD	1
Hungarian (models)	TBD	1
Czech (models)	TBD	1
Turkish native (models)	TBD	1
Greek (models)	TBD	1
Japanese (models)	TBD	1
Simplified Chinese (models)	TBD	1
Taiwan-TC (models)	TBD	1
Hong Kong-TC (models)	TBD	1
Korean (models)	TBD	1

<b>7090 Windows XP Pro Recovery CDs</b>	<b>FRU#</b>	<b>CRU</b>
English (models)	64Y5588	1
Japanese (models)	64Y6202	1
Simplified Chinese (models)	64Y5590	1
Spanish (models)	64Y5591	1
French (models)	64Y5592	1
Italian (models)	64Y5593	1
Brazilian Portuguese (models)	64Y5594	1
German (models)	64Y5595	1
Hong Kong (models)	64Y5596	1
Swedish (models)	64Y5597	1
Danish (models)	64Y5598	1
Norway (models)	64Y5599	1
Finland (models)	64Y5600	1
Arabic (models)	64Y5601	1

<b>7090 Windows XP Pro Recovery CDs</b>	<b>FRU#</b>	<b>CRU</b>
Traditional Chinese (models)	64Y5602	1
Russian (models)	64Y5603	1
Polish (models)	64Y5604	1
Hebrew (models)	64Y5605	1
Korea (models)	64Y5606	1
Greek (models)	64Y5607	1
Turkish (models)	64Y5608	1
Dutch (models)	64Y5609	1
Slovenian (models)	64Y5610	1
Hungarian (models)	64Y5611	1
Czech (models)	64Y5612	1
Portuguese (models)	64Y5613	1
Russian English (models)	64Y5614	1
MUI Nordics (EN-DK-FI-NO-SV) (models)	71Y6401	1
MUI Switz (EN-FR-GR-IT) (models)	71Y6402	1
MUI Bel-Lux (EN-FR-GR-NL) (models)	71Y6403	1

<b>7090 Vista Home Basic 32 Recovery CDs</b>	<b>FRU#</b>	<b>CRU</b>
US English (models)	46R8053	1
French (models)	46R8057	1
German (models)	46R8060	1
Spanish (models)	46R8056	1
Brazilian (models)	46R8059	1
Italian (models)	46R8058	1
Japanese (models)	64Y6207	1
Dutch (models)	46R8070	1
Czech (models)	46R8074	1
Polish (models)	46R8065	1
Russian (models)	46R8064	1
Turkish (models)	46R8069	1
Hungarian (models)	46R8073	1
Greek (models)	46R8068	1
Portuguese (models)	46R8077	1
Hong Kong (models)	46R8061	1
Traditional Chinese (models)	46R8063	1
Korean (models)	46R8067	1
Slovenian (models)	46R8071	1
Russian English (models)	46R8078	1
Hebrew (models)	46R8066	1

<b>7090 Vista Home Basic 32 Recovery CDs</b>	<b>FRU#</b>	<b>CRU</b>
Arabic Localized (models)	46R8062	1
Slovakian (models)	46R8075	1
Simplified Chinese (models)	46R8055	1
Serbian-Latin (models)	46R8076	1
Romanian (models)	46R8072	1
Belgium-Luxembourg (models)	53Y4230	1
Switzerland (models)	53Y4231	1
Nordics (models)	53Y4232	1

<b>7090 Vista Business 32 Recovery CDs</b>	<b>FRU#</b>	<b>CRU</b>
US English (models 99G)	46R8079	1
French (models 99G)	46R8083	1
German (models 99G)	46R8086	1
Spanish (models 99G)	46R8082	1
Brazilian (models)	46R8085	1
Italian (models 99G)	46R8084	1
Japanese (models)	64Y6205	1
English for Indian (models)	64Y9435	1
Dutch (models 99G)	46R8096	1
Czech (models)	46R8100	1
Polish (models 99G)	46R8091	1
Russian (models 99G)	46R8090	1
Turkish (models 99G)	46R8095	1
Hungarian (models 99G)	46R8099	1
Greek (models 99G)	46R8094	1
Portuguese (models 99G)	46R8103	1
Simplified Chinese (models)	46R8081	1
Hong Kong (models)	46R8087	1
Traditional Chinese (models)	46R8089	1
Korean (models)	46R8093	1
Slovenian (models)	46R8097	1
Russian English (models 99G)	46R8104	1
Romanian (models 99G)	46R8098	1
Sebian-Latin (models)	46R8102	1
Hebrew (models 99G)	46R8092	1
Arabic Localized (models)	46R8088	1
Slovakian (models 99G)	46R8101	1
Belgium-Luxembourg (models 99G)	53Y4233	1

<b>7090 Vista Business 32 Recovery CDs</b>	<b>FRU#</b>	<b>CRU</b>
Switzerland (models 99G)	53Y4234	1
Nordics (models 99G)	53Y4235	1

<b>7090 Vista Premium 32 Recovery CDs</b>	<b>FRU#</b>	<b>CRU</b>
US English (models)	46R8141	1
French (models)	46R8143	1
German (models)	46R8144	1
Spanish (models)	46R8145	1
Italian (models)	46R8146	1
Japanese (models)	64Y6208	1
Hong Kong (models)	46R8147	1
Korean (models)	46R8148	1
Athens Vista SP1 MUL 1 P/N's VHP32 (EN FR GR NL) (models)	53Y4236	1
Athens Vista SP1 MUL 2 P/N's VHP32 (EN FR GR IT) (models)	53Y4237	1
Athens Vista SP1 MUL 3P/N's VHP32 (EN DK FI NO SV) (models)	53Y4238	1

<b>7090 Vista Business 64 Recovery CDs</b>	<b>FRU#</b>	<b>CRU</b>
US English (models)	46R8131	1
French (models)	46R8134	1
German (models)	46R8135	1
Japanese (models)	64Y6210	1
Simplified Chinese (models)	46R8133	1

<b>7090 Vista Ultimate 32 Recovery CDs</b>	<b>FRU#</b>	<b>CRU</b>
US English (models)	46R8149	1
Japanese (models)	64Y6209	1
French (models)	46R8151	1
German (models)	46R8152	1
Spanish (models)	46R8153	1
Italian (models)	46R8154	1
Hong Kong (models)	46R8155	1
Arabic Localized (models)	46R8156	1
Athens Vista SP1 MUL 1 P/N's VU32 (EN DK FI NO SV) (models)	53Y4239	1

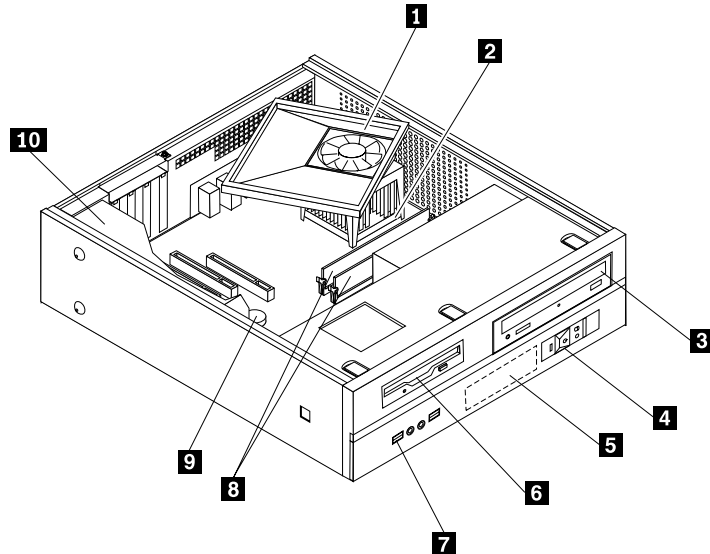
<b>7090 Vista Starter 32 Recovery CDs</b>	<b>FRU#</b>	<b>CRU</b>
English (models)	46R8052	1

<b>7090 Vista Home Premium 64 Recovery CDs</b>	<b>FRU#</b>	<b>CRU</b>
US (models)	71Y6634	1
French (models)	71Y6635	1



<b>7090 Win7 Professional 32</b>	<b>FRU#</b>	<b>CRU</b>
Brazilian Portuguese (all models)	89Y0454	1

## Machine Type 7092



Item #	7092 FRUs	FRU#	CRU
1	Heatsink, AMD 89W&65W 4Pin heatsink (all models)	41R6407	2
2	Microprocessor, Athlon64 4800+ X2 (2.50GHz, 1M L2, 65W) G1 65nm (models)	43C4093	N
2	Microprocessor, Athlon64 5000+ X2 (2.60GHz, 1M L2, 65W) G1 65nm (models)	41X1427	N
2	Microprocessor, Athlon 1640B (2.70GHz, 512K L2, 45W) G2 65nm (models CTO)	45R6488	N
2	Microprocessor, Athlon64 5200+ AM2 X2 (2.7 GHz processor, 65W) stepping G1 65nm (models)	45C7502	N
2	Microprocessor, Athlon64 5400B X2(2.80GHz, 1M L2, 65W) G2 65nm (models CTO)	45R6486	N
2	Microprocessor, Athlon64 5600+ X2 (2.90GHz, 1M L2, 89W) G2 65nm (models)	45C7504	N
2	Microprocessor, Athlon X2 BE 2350 (2.1GHz processor, 45W, 1MB L2) steping G1 (models)	43C6166	N
2	Microprocessor, Athlon X2 BE 2400 (2.3GHz processor, 45W, 1MB L2) steping G1 (models)	43C6165	N
2	Microprocessor, Athlon 4450B X2 (2.30GHz, 1M L2, 45W) G2 65nm (models)	46R3624	N
2	Microprocessor, Athlon 5000B X2 (2.60GHz, 1M L2, 65W) G2 65nm (models 99G)	46R3625	N
2	Microprocessor, Athlon 5200B X2 (2.70GHz, 1M L2, 65W) G2 65nm (models CTO)	46R3626	N
2	Microprocessor, Athlon LE-1660 (2.8 GHz, 512K L2, 45W) G2 65nm (models CTO)	53Y7722	N
2	Microprocessor, Athlon X2 5600B (2.9 GHz, 1M L2, 65W) G2 65nm (models CTO)	53Y7718	N
2	Microprocessor, Athlon64 X2 6000+ (3.1 GHz, 1M L2, 89W) G2 65nm (models CTO)	53Y7720	N
2	Microprocessor, Sempron LE-1250 (2.20GHz, 512K L2, 45W) G2 65nm (models)	43C6168	N
2	Microprocessor, Sempron LE-1300 (2.30GHz, 512K L2, 45W) G2 65nm (models)	43C8986	N
2	Microprocessor, Sempron 2100 X2 (1.80GHz, 512K L2, 65W) G2 65nm (models)	46R3629	N

Item #	7092 FRUs	FRU#	CRU
2	Microprocessor, Sempron 2200 X2 (2.00GHz, 512K L2, 65W) G2 65nm (models)	46R3630	N
2	Microprocessor, Sempron X2 2300 (2.2GHz, 512K L2, 65W) G2 65nm (models CTO)	53Y7724	N
2	Microprocessor, Sempron 140 (2.7GHz, 1M Total Cache, AM3, 45W) C2 45nm (models 91Z)	71Y6414	N
2	Microprocessor, Phenom 8600B (2.30GHz, 1.5M L2, 2M L3, 95W) stepping B2 65nm (models)	45R6494	N
2	Microprocessor, Phenom 9550 (2.20GHz, 2M L2, 2M L3, 95W) stepping B3 65nm (models)	45R6496	N
2	Microprocessor, Athlon II X2 240 (2.8GHz, 2M Total Cache, AM3, 65W) C2 45nm (models 91Z)	64Y8012	N
2	Microprocessor, Athlon II X2 245 (2.9GHz, 2M Total Cache, AM3, 65W) C2 45nm (models 91Z)	64Y8013	N
2	Microprocessor, Athlon II X3 435 (2.9GHz, 1.5M Total Cache, AM3, 95W) C2 45nm (models 91Z)	64Y8020	N
2	Microprocessor, Phenom II X2 550 (3.1GHz, 7M Total Cache, AM3, 80W) C2 45nm (models 91Z)	64Y8024	N
2	Microprocessor, Phenom II X2 555 (3.2 GHz, 7M Total Cache, AM3, 80W) C3 45nm (models 91Z)	89Y0793	N
2	Microprocessor, Phenom II X3 720 (2.8GHz, 7.5M Total Cache, AM3, 95W) C2 45nm (models 91Z)	64Y8030	N
2	Microprocessor, Phenom II X4 910 (2.6GHz, 8M Total Cache, AM3, 95W) C2 45nm (models 91Z)	64Y8035	N
2	Microprocessor, Phenom 9650 (2.30GHz, 2M L2, 2M L3, 95W) stepping B3 65nm (models)	45R6498	N
2	Microprocessor, Phenom 9600B (2.30GHz, 2M L2, 2M L3, 95W) stepping B2 65nm (models)	45R6500	N
2	Microprocessor, Phenom 8450 (2.10GHz, 1.5M L2, 2M L3, 95W) B3 65nm (models CTO)	45R6490	N
2	Microprocessor, Phenom X3 8600B (2.3GHz, 1.5M L2, 2M L3, 95W) B3 65nm (models)	45R6494	N
2	Microprocessor, Phenom 9550 (2.20GHz, 2M L2, 2M L3, 95W) stepping B3 65nm (models)	53Y7709	N
2	Microprocessor, Phenom X4 9750B (2.4 GHz, 512K / 2M L2, 95W) B3 65nm (models)	53Y7711	N
3	DVD-ROM Drive - 16x/48x - SATA Vista & non-Vista (models 99G)	41N3325	2
3	DVD-ROM Drive - 16x/48x - With DVD playback software (models 99G)	71Y5543	2
3	DVD Recordable/CD-RW Rambo 8 - SATA Vista & non-Vista (models)	43C1042	2
3	DVD-RW/CD-RW Rambo 8 - With write software (models)	71Y5545	2
4	Front Power/LED PC, bracket, and cable (all models)	41N8213	2
5	Hard disk drive, 80GB, 7200RPM, SATA (models)	40Y9034	2
5	Hard disk drive, 160GB, 7200RPM, SATA (models 99G)	40Y9035	2
5	Hard disk drive, SATA 160GB 7200RPM/3Gb/8MB (models 99G)	53Y6837	2
5	Hard disk drive, 250GB, 7200RPM, SATA (models)	40Y9036	2
5	Hard disk drive, SATA 250GB 7200RPM/3Gb/8MB (models)	45K0408	2
5	Hard disk drive, 320GB 7200rpm SATA/8MB (models)	87H4891	2

Item #	7092 FRUs	FRU#	CRU
5	Hard disk drive, SATA 320GB 7200rpm SATA/8MB (models)	45K0409	2
5	Hard disk drive, SATA 500GB 7200RPM/3Gb/s/8MB (models)	41X5582	2
5	Hard disk drive, SATA 500GB 7200RPM/3Gb/s/8MB (models)	45K0410	2
6	Diskette drive, 3.5" 1.44MB 2 Mode FDD with Bezel and cable (models)	40Y9105	2
6	Diskette drive, 3.5" 1.44MB 2 Mode FDD with Bezel and cable (models)	40Y9107	2
7	Front USB/Audio with bracket (all models)	41N8212	2
8	Memory module, 512 MB PC2-5300 (667MHz) DDR2 SDRAM (models)	41X4255	2
8	Memory module, 512MB PC2-6400 (800MHz) DDR2 SDRAM (models)	41X1079	2
8	Memory module, 1GB PC2-6400 (667MHz) DDR2 SDRAM (models 99G)	41X1080	2
8	Memory module, 2GB PC2-6400 (667MHz) DDR2 SDRAM (models)	41X1081	2
9	System board, Planar AMD RS780 mATX (TOWER & ROCKYS) (models 99G)	71Y5724	N
9	System board, Planar AMD RS780 mATX GA Level - TPM Disable for Russia (models 99G)	71Y4994	N
9	System board, Planar AMD RS780 mATX GA Level - Support Phenom II X2 555 (models 91Z)	89Y1346	N
9	System board, Planar AMD RS780 mATX GA Level -Support Win7 and AM3 C2 CPU (models 91Z)	89Y1809	N
10	Power Supply, ATX 280 Watt world wide (models 99G)	41A9684	2
10	Power Supply, ATX 280 Watt 80% world wide and Japan (models 99G)	41A9665	2
10	Power Supply, ATX 310 Watt world wide and Japan (models 99G)	41A9726	2
10	Power Supply, 220 Watt world wide (models 99G)	41A9689	N
10	Power Supply, 220 Watt only for Japan (models)	41A9697	N
10	Power Supply, 220 Watt 80% world wide and Japan (models 99G)	41A9670	N
10	Power Supply, 280 Watt TFX Active PFC, world wide and Japan (models 99G)	41A9705	N

The FRUs listed in the following tables are not illustrated.

7092 FRUs	FRU#	CRU
Fru rear IO shield ATX,for RX 780,Atlantic (all models)	41R6383	N
FDD Cable (all models)	41A7147	2
Cabel-SATA 250mm (RoHS) (all models)	43N9012	2
EMC Shield, Blank 5.25 (all models)	41N8271	2
EMC Shield, Blank FDD (all models)	41N8273	2
Cover, Rocky S3 (all models)	41N8204	2
Mechanical shell kit Rocky S4 (all models)	43N9374	N
Bezel kit, Rocky S3 without IBM logo (all models)	41R6238	2
Misc Hardware Kit (all models)	41N8209	2
HDD Bracket Asm (plastic and grommets) (all models)	41N8210	2
HDD Fan and bracket asm (all models)	41R6325	2
Speaker Cable Asm, 600 mm cable length (all models)	41N8217	2

<b>7092 FRUs</b>	<b>FRU#</b>	<b>CRU</b>
Rear Com2 cable II LP (all models)	42Y8008	2
Rear USB 2Ports II LP (all models)	42Y8006	2
Foot stand ASM for ACE rocky S3 (all models)	41R4813	1
Instruction switch Asm (all models)	41R6208	2
RM Asm, AMD (all models)	41R2507	N
Temp Sense Cable (165 mm) (all models)	43N9079	2
Cable, MINI,COM2 CABLE(ROHS) (all models)	41R6198	2

<b>7092 Keyboards (Lenovo Preferred Pro USB -- without hub)</b>	<b>FRU#</b>	<b>CRU Tier</b>
USB FULL--US English (models 99G)	41A5289	1
USB FULL--Arabic (models 99G)	41A5290	1
USB FULL--Arabic/French (models 99G)	41A5291	1
USB FULL--Belgian/French (models)	41A5292	1
USB FULL--Belgium English (models 99G)	41A5293	1
USB FULL--Brazilian Portuguese (models)	41A5294	1
USB FULL--Bulgarian (models 99G)	41A5295	1
USB FULL--Chinese/US (models)	41A5296	1
USB FULL--Czech (ABB) (models 99G)	41A5297	1
USB FULL--Danish (models 99G)	41A5298	1
USB FULL--Dutch (models 99G)	41A5299	1
USB FULL--French (models 99G)	41A5300	1
USB FULL--French Canadian (models 99G)	41A5301	1
USB FULL--French Canadian (models 99G)	41A5302	1
USB FULL--German (models 99G)	41A5303	1
USB FULL--Greek (models 99G)	41A5304	1
USB FULL--Greek/US (models 99G)	41A5305	1
USB FULL--Hebrew (models 99G)	41A5306	1
USB FULL--Hungarian (models 99G)	41A5307	1
USB FULL--Iceland (models 99G)	41A5308	1
USB FULL--Italy (models 99G)	41A5309	1
USB FULL--Japanese (models)	41A5310	1
USB FULL--Korean (models)	41A5311	1
USB FULL--LA Spanish (models)	41A5312	1
USB FULL--Norwegian (models 99G)	41A5313	1
USB FULL--Polish (models 99G)	41A5314	1
USB FULL--Portugese (models 99G)	41A5315	1
USB FULL--Romanian (models 99G)	41A5317	1
USB FULL--Russian/Cyrillic (models 99G)	41A5318	1

<b>7092 Keyboards (Lenovo Preferred Pro USB -- without hub)</b>	<b>FRU#</b>	<b>CRU Tier</b>
USB FULL--Serbian/Cyrillic (models 99G)	41A5319	1
USB FULL--Slovak (models 99G)	41A5320	1
USB FULL--Spanish (models 99G)	41A5321	1
USB FULL--Swedish/Finnish (models 99G)	41A5322	1
USB FULL--Swiss F/G (models 99G)	41A5323	1
USB FULL--Thailand (models)	41A5324	1
USB FULL--Turkish (models 99G)	41A5325	1
USB FULL--Turkish (models 99G)	41A5326	1
USB FULL--UK English (models 99G)	41A5327	1
USB FULL--US Euro (models 99G)	41A5328	1
USB FULL--Slovenian (models)	41A5329	1

<b>7092 Keyboards (Lenovo Fingerprint Reader USB)</b>	<b>FRU#</b>	<b>CRU Tier</b>
US English (models)	41R0038	1
Arabic (models)	41R0039	1
Arabic/French (models)	41R0040	1
Belgian/French (models)	41R0041	1
Belgium English (models)	41R0042	1
Brazilian Portuguese (models)	41R0043	1
Bulgarian (models)	41R0044	1
Chinese/US (models)	41R0045	1
Czech (ABB) (models)	41R0046	1
Danish (models)	41R0047	1
Dutch (models)	41R0048	1
French (models)	41R0049	1
French Canadian (models)	41R0050	1
French Canadian (models)	41R0051	1
German (models)	41R0052	1
Greek (models)	41R0053	1
Greek/US (models)	41R0054	1
Hebrew (models)	41R0055	1
Hungarian (models)	41R0056	1
Iceland (models)	41R0057	1
Italy (models)	41R0058	1
Japanese (models)	41R0059	1
Korean (models)	41R0060	1
LA Spanish (models)	41R0061	1
Norwegian (models)	41R0062	1

<b>7092 Keyboards (Lenovo Fingerprint Reader USB)</b>	<b>FRU#</b>	<b>CRU Tier</b>
Polish (models)	41R0063	1
Portuguese (models)	41R0064	1
Romanian (models)	41R0065	1
Romanian (models)	41R0066	1
Russian/Cyrillic (models)	41R0067	1
Serbian/Cyrillic (models)	41R0068	1
Slovak (models)	41R0069	1
Spanish (models)	41R0070	1
Swedish/Finnish (models)	41R0071	1
Swiss F/G (models)	41R0072	1
Thailand (models)	41R0073	1
Turkish (models)	41R0074	1
Turkish (models)	41R0075	1
UK English (models)	41R0076	1
US Euro (models)	41R0077	1
Slovenian (models)	41R0078	1

<b>7092 Keyboards (Lenovo Preferred Pro PS/2 Full Size)</b>	<b>FRU#</b>	<b>CRU Tier</b>
PS/2 Full--US English (models)	41A5039	1
PS/2 Full--Arabic (models)	41A5040	1
PS/2 Full--Arabic/French (models)	41A5041	1
PS/2 Full--Belgian/French (models)	41A5042	1
PS/2 Full--Belgium English (models)	41A5043	1
PS/2 Full--Brazilian Portuguese (models)	41A5044	1
PS/2 Full--Bulgarian (models)	41A5045	1
PS/2 Full--Chinese/US (models)	41A5046	1
PS/2 Full--Czech (ABB) (models)	41A5047	1
PS/2 Full--Danish (models)	41A5048	1
PS/2 Full--Dutch (models)	41A5049	1
PS/2 Full--French (models)	41A5050	1
PS/2 Full--French Canadian (models)	41A5051	1
PS/2 Full--French Canadian (models)	41A5052	1
PS/2 Full--German (models)	41A5053	1
PS/2 Full--Greek (models)	41A5054	1
PS/2 Full--Greek/US (models)	41A5080	1
PS/2 Full--Hebrew (models)	41A5055	1
PS/2 Full--Hungarian (models)	41A5056	1
PS/2 Full--Iceland (models)	41A5057	1

<b>7092 Keyboards (Lenovo Preferred Pro PS/2 Full Size)</b>	<b>FRU#</b>	<b>CRU Tier</b>
PS/2 Full--Italy (models)	41A5058	1
PS/2 Full--Japanese (models)	41A5059	1
PS/2 Full--Korean (models)	41A5060	1
PS/2 Full--LA Spanish (models)	41A5061	1
PS/2 Full--Norwegian (models)	41A5062	1
PS/2 Full--Polish (models)	41A5063	1
PS/2 Full--Portugese (models)	41A5064	1
PS/2 Full--Romanian (models)	41A5065	1
PS/2 Full--Russian/Cyrillic (models)	41A5066	1
PS/2 Full--Serbian/Cyrillic (models)	41A5067	1
PS/2 Full--Slovak (models)	41A5068	1
PS/2 Full--Spanish (models)	41A5069	1
PS/2 Full--Swedish/Finnish (models)	41A5070	1
PS/2 Full--Swiss F/G (models)	41A5071	1
PS/2 Full--Thailand (models)	41A5072	1
PS/2 Full--Turkish (models)	41A5073	1
PS/2 Full--Turkish (models)	41A5074	1
PS/2 Full--UK English (models)	41A5075	1
PS/2 Full--US Euro (models)	41A5076	1
PS/2 Full--Slovenian (models)	41A5077	1

<b>7092 mice</b>	<b>FRU#</b>	<b>CRU</b>
Optical Wheel Mouse OPT (400DPI, USB) (models 99G)	41U3013	1
Optical Wheel Mouse OPT (400DPI, USB) (models 99G)	41U3030	1
PS/2 Three Button ball mouse scrollpoint (41R0017) (models)	41R0018	1

<b>7092 Adapters and miscellaneous FRUs</b>	<b>FRU#</b>	<b>CRU</b>
Internal USB Memory Card Reader floppy bay (models)	41R3378	2
Internal 20 in 1 USB Memory Card Reader (models CTO)	45R8139	1
NVIDIA GeForce 9300 GE 256M Full Height (DVI+VGA) (TOWER) (models)	53Y5823	2
ATI HD 2600XT 512MB 128BIT ATX (models)	43C0261	2
IEEE 1394 Firewire Adapter SFF (models)	41D2781	2
IEEE 1394 Firewire Adapter ATX (models)	41D2781	2
Soft Modem V.90/V.44 SFF ( ROCKYS ) (models CTO)	46R4220	2
Soft Modem V.90/V.44 ATX (models)	29R9729	2
ATI HD 2400PRO 128MB 64BIT DMS59 LP (models)	43C0259	2
ATI HD 2400PRO 128MB 64BIT DMS59 ATX (models)	43C0259	2
ATI HD 2400XT 256MB 64BIT DMS59 LP Secondary (models)	64Y3997	2

<b>7092 Adapters and miscellaneous FRUs</b>	<b>FRU#</b>	<b>CRU</b>
Speaker Power brick - US, Canada, LA low voltage, ASEAN (models)	89P8571	1
Speaker Power brick - LA high voltage (non-APU) (models)	89P8575	1
Speaker Power brick - SIMPLIFIED -CHN, Thailand EMEA (models 99G)	89P8581	1
Speaker Power brick - Japan (models)	89P8577	1
Speaker Power brick - Brazil (models)	89P8583	1
Speaker Power brick - Argentina (models)	41A4901	1
Speaker Power brick - ANZ (models)	89P8579	1
Speaker Power brick - Korean (models)	41A4903	1
Speaker Power brick - Hong Kong, EMEA (models 99G)	89P8573	1
Speaker Power brick -TAIWAN-TC (models)	41A4905	1
Speaker Power brick - India, South Africa (models)	89P8585	1
Dongle DMS Dule DMS-59 to dual VGA Cable (models)	42Y8181	2
Dongle DMS Dule DMS-59 to dual DVI Cable (models)	41X6398	2
Dongle DMS Dule DMS-59 to single VGA & single DVI Cable (models)	42Y8183	2
2-pc external speaker--primary (models)	41A5331	1
2-pc external speaker-secondary (models)	41A5334	1
DVI-I(M)-VGA(F) cord (models)	41R3342	2
Battery 3V- Lithium (models 99G)	45C1566	1
HD 3470 256M 64bit DP ATX/LP (models)	64Y4498	2
DP to DVI dongle (models)	43N9160	2
Bitland 88E8075 1000M PCIE DASH NIC FH (R)(Rocky) (models)	53Y4008	2
AMD Display Port card LP® (Rocky)(models)	53Y4002	1

<b>7092 Power Cords</b>	<b>FRU#</b>	<b>CRU</b>
Power cord - US (models)	41R3184	1
Power cord - US (models)	41R3185	1
Power cord - China (models)	41R3256	1
Power cord - China (models)	41R3257	1
Power cord - Japanese and Japanese English (models)	41R3248	1
Power cord - Japanese and Japanese English (models)	41R3249	1
Power cord - Brazil (Portigese) (models)	41R3270	1
Power cord - Brazil (Portigese) (models)	41R3271	1
Power cord - LA High Volt (APU) (models)	41R3176	1
Power cord - LA High Volt (APU) (models)	41R3177	1
Power cord - ANZ (models)	41R3196	1
Power cord - ANZ (models)	41R3197	1
Power cord - Korea (models)	41R3260	1
Power cord - Korea (models)	41R3261	1
Power cord - UK, Ireland, Singapore, Malaysia, Brunei, Hongkong (models)	41R3224	1



<b>7092 Power Cords</b>	<b>FRU#</b>	<b>CRU</b>
Power cord - UK, Ireland, Singapore, Malaysia, Brunei, Hongkong (models)	41R3225	1
Power cord - Taiwan (models)	41R3278	1
Power cord - Taiwan (models)	41R3279	1
Power cord - Italy (models)	41R3232	1
Power cord - Italy (models)	41R3233	1
Power cord - Indonesia, Laos, Cambodia, Vietnam, Austria, Belgium, Croatia, Czechoslovakia, Finland, France, Germany, Hungary, Netherlands, Norway, Poland, Portugal, Romania, Spain, Sweden (models)	41R3208	1
Power cord - Indonesia, Laos, Cambodia, Vietnam, Austria, Belgium, Croatia, Czechoslovakia, Finland, France, Germany, Hungary, Netherlands, Norway, Poland, Portugal, Romania, Spain, Sweden (models)	41R3209	1
Power cord - Denmark (models 99G)	41R3212	1
Power cord - Denmark (models 99G)	41R3213	1
Power cord - Switzerland (models 99G)	41R3228	1
Power cord - Switzerland (models 99G)	41R3229	1
Power cord - Israel (models 99G)	41R3236	1
Power cord - Israel (models 99G)	41R3237	1
Power cord - South Africa (models 99G)	41R3220	1
Power cord - South Africa (models 99G)	41R3221	1
Power cord - India (models)	41R3341	1
Power cord - India (models)	41R3175	1
Power cord - Thailand (models)	43N9029	1
Power cord - Thailand (models)	43N9030	1
Power cord - Brazil (models)	43N9044	1

<b>7092 Windows XP Home Recovery CDs</b>	<b>FRU#</b>	<b>CRU</b>
US English/UK/Asia Pacific (models)	TBD	1
French/French Canadian (models)	TBD	1
Greek (models)	TBD	1
Italy (models)	TBD	1
Brazilian (models)	TBD	1
Spanish/LA (models)	TBD	1
Danish (models)	TBD	1
Dutch (models)	TBD	1
Arabic (models)	TBD	1
SV (Swedish) (models)	TBD	1
Hebrew (models)	TBD	1
Finnish (models)	TBD	1
Norwegian (models)	TBD	1
Polish (models)	TBD	1

<b>7092 Windows XP Home Recovery CDs</b>	<b>FRU#</b>	<b>CRU</b>
Portugese (models)	TBD	1
Russian (models)	TBD	1
Russian English (models)	TBD	1
Hungarian (models)	TBD	1
Czech (models)	TBD	1
Turkish native (models)	TBD	1
Greek (models)	TBD	1
Japanese (models)	TBD	1
Simplified Chinese (models)	TBD	1
Taiwan-TC (models)	TBD	1
Hong Kong-TC (models)	TBD	1
Korean (models)	TBD	1

<b>7092 Windows XP Pro Recovery CDs</b>	<b>FRU#</b>	<b>CRU</b>
English (models)	64Y5588	1
Japanese (models)	64Y6202	1
Simplified Chinese (models)	64Y5590	1
Spanish (models)	64Y5591	1
French (models)	64Y5592	1
Italian (models)	64Y5593	1
Brazilian Portuguese (models)	64Y5594	1
German (models)	64Y5595	1
Hong Kong (models)	64Y5596	1
Swedish (models)	64Y5597	1
Danish (models)	64Y5598	1
Norway (models)	64Y5599	1
Finland (models)	64Y5600	1
Arabic (models)	64Y5601	1
Traditional Chinese (models)	64Y5602	1
Russian (models)	64Y5603	1
Polish (models)	64Y5604	1
Hebrew (models)	64Y5605	1
Korea (models)	64Y5606	1
Greek (models)	64Y5607	1
Turkish (models)	64Y5608	1
Dutch (models)	64Y5609	1
Slovenian (models)	64Y5610	1
Hungarian (models)	64Y5611	1
Czech (models)	64Y5612	1

<b>7092 Windows XP Pro Recovery CDs</b>	<b>FRU#</b>	<b>CRU</b>
Portuguese (models)	64Y5613	1
Russian English (models)	64Y5614	1
MUI Nordics (EN-DK-FI-NO-SV) (models)	71Y6401	1
MUI Switz (EN-FR-GR-IT) (models)	71Y6402	1
MUI Bel-Lux (EN-FR-GR-NL) (models)	71Y6403	1

<b>7092 Vista Home Basic 32 Recovery CDs</b>	<b>FRU#</b>	<b>CRU</b>
US English (models)	46R8053	1
French (models)	46R8057	1
German (models)	46R8060	1
Spanish (models)	46R8056	1
Brazilian (models)	46R8059	1
Italian (models)	46R8058	1
Japanese (models)	64Y6207	1
Dutch (models)	46R8070	1
Czech (models)	46R8074	1
Polish (models)	46R8065	1
Russian (models)	46R8064	1
Turkish (models)	46R8069	1
Hungarian (models)	46R8073	1
Greek (models)	46R8068	1
Portuguese (models)	46R8077	1
Hong Kong (models)	46R8061	1
Traditional Chinese (models)	46R8063	1
Korean (models)	46R8067	1
Slovenian (models)	46R8071	1
Russian English (models)	46R8078	1
Hebrew (models)	46R8066	1
Arabic Localized (models)	46R8062	1
Slovakian (models)	46R8075	1
Simplified Chinese (models)	46R8055	1
Serbian-Latin (models)	46R8076	1
Romanian (models)	46R8072	1
Belgium-Luxembourg (models)	53Y4230	1
Switzerland (models)	53Y4231	1
Nordics (models)	53Y4232	1

<b>7092 Vista Business 32 Recovery CDs</b>	<b>FRU#</b>	<b>CRU</b>
US English (models 99G)	46R8079	1
French (models 99G)	46R8083	1
German (models 99G)	46R8086	1
Spanish (models 99G)	46R8082	1
Brazilian (models)	46R8085	1
Italian (models 99G)	46R8084	1
Japanese (models)	64Y6205	1
English for Indian (models)	64Y9435	1
Dutch (models 99G)	46R8096	1
Czech (models)	46R8100	1
Polish (models 99G)	46R8091	1
Russian (models 99G)	46R8090	1
Turkish (models 99G)	46R8095	1
Hungarian (models 99G)	46R8099	1
Greek (models 99G)	46R8094	1
Portuguese (models 99G)	46R8103	1
Simplified Chinese (models)	46R8081	1
Hong Kong (models)	46R8087	1
Traditional Chinese (models)	46R8089	1
Korean (models)	46R8093	1
Slovenian (models)	46R8097	1
Russian English (models 99G)	46R8104	1
Romanian (models 99G)	46R8098	1
Sebian-Latin (models)	46R8102	1
Hebrew (models 99G)	46R8092	1
Arabic Localized (models)	46R8088	1
Slovakian (models 99G)	46R8101	1
Belgium-Luxembourg (models 99G)	53Y4233	1
Switzerland (models 99G)	53Y4234	1
Nordics (models 99G)	53Y4235	1

<b>7092 Vista Premium 32 Recovery CDs</b>	<b>FRU#</b>	<b>CRU</b>
US English (models)	46R8141	1
French (models)	46R8143	1
German (models)	46R8144	1
Spanish (models)	46R8145	1
Italian (models)	46R8146	1
Japanese (models)	64Y6208	1
Hong Kong (models)	46R8147	1

<b>7092 Vista Premium 32 Recovery CDs</b>	<b>FRU#</b>	<b>CRU</b>
Korean (models)	46R8148	1
Athens Vista SP1 MUL 1 P/N's VHP32 (EN FR GR NL) (models)	53Y4236	1
Athens Vista SP1 MUL 2 P/N's VHP32 (EN FR GR IT) (models)	53Y4237	1
Athens Vista SP1 MUL 3P/N's VHP32 (EN DK FI NO SV) (models)	53Y4238	1

<b>7092 Vista Business 64 Recovery CDs</b>	<b>FRU#</b>	<b>CRU</b>
US English (models)	46R8131	1
French (models)	46R8134	1
German (models)	46R8135	1
Japanese (models)	64Y6210	1
Simplified Chinese (models)	46R8133	1

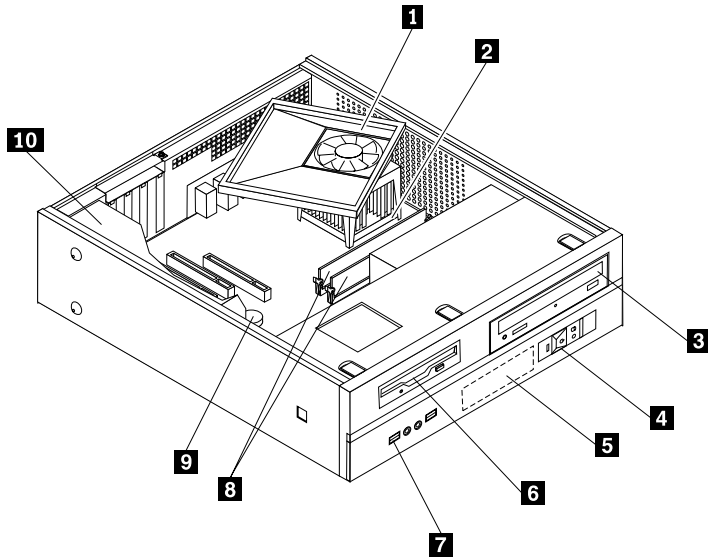
<b>7092 Vista Ultimate 32 Recovery CDs</b>	<b>FRU#</b>	<b>CRU</b>
US English (models)	46R8149	1
Japanese (models)	64Y6209	1
French (models)	46R8151	1
German (models)	46R8152	1
Spanish (models)	46R8153	1
Italian (models)	46R8154	1
Hong Kong (models)	46R8155	1
Arabic Localized (models)	46R8156	1
Athens Vista SP1 MUL 1 P/N's VU32 (EN DK FI NO SV) (models)	53Y4239	1

<b>7092 Vista Starter 32 Recovery CDs</b>	<b>FRU#</b>	<b>CRU</b>
English (models)	46R8052	1

<b>7092 Vista Home Premium 64 Recovery CDs</b>	<b>FRU#</b>	<b>CRU</b>
US (models)	71Y6634	1
French (models)	71Y6635	1

<b>7092 Win7 Professional 32</b>	<b>FRU#</b>	<b>CRU</b>
Brazilian Portuguese (all models)	89Y0454	1

## Machine Type 9342



Item #	9342 FRUs	FRU#	CRU
1	Heatsink, AMD 89W&65W 4Pin heatsink (all models)	41R6407	2
2	Microprocessor, Athlon64 4800+ X2 (2.50GHz, 1M L2, 65W) G1 65nm (models)	43C4093	N
2	Microprocessor, Athlon64 5000+ X2 (2.60GHz, 1M L2, 65W) G1 65nm (models A1J A3S A3P A3D A3Y )	41X1427	N
2	Microprocessor, Athlon 1640B (2.70GHz, 512K L2, 45W) G2 65nm (models B9C CTO)	45R6488	N
2	Microprocessor, Athlon64 5200+ AM2 X2 (2.7 GHz processor, 65W) stepping G1 65nm (models)	45C7502	N
2	Microprocessor, Athlon64 5400B X2(2.80GHz, 1M L2, 65W) G2 65nm (models A9J B1J B3J B4J B6J B7J D7J D8J)	45R6486	N
2	Microprocessor, Athlon64 5600+ X2 (2.90GHz, 1M L2, 89W) G2 65nm (models)	45C7504	N
2	Microprocessor, Athlon X2 BE 2350 (2.1GHz processor, 45W, 1MB L2) steping G1 (models)	43C6166	N
2	Microprocessor, Athlon X2 BE 2400 (2.3GHz processor, 45W, 1MB L2) steping G1 (models)	43C6165	N
2	Microprocessor, Athlon 4450B X2 (2.30GHz, 1M L2, 45W) G2 65nm (models E2J E3J)	46R3624	N
2	Microprocessor, Athlon 5000B X2 (2.60GHz, 1M L2, 65W) G2 65nm (models D4M A7J A8J A1J A3S A3P A3D A3Y CTO)	46R3625	N
2	Microprocessor, Athlon 5200B X2 (2.70GHz, 1M L2, 65W) G2 65nm (models CTO)	46R3626	N
2	Microprocessor, Athlon LE-1660 (2.8 GHz, 512K L2, 45W) G2 65nm (models CTO)	53Y7722	N
2	Microprocessor, Athlon X2 5600B (2.9 GHz, 1M L2, 65W) G2 65nm (models CTO)	53Y7718	N
2	Microprocessor, Athlon64 X2 6000+ (3.1 GHz, 1M L2, 89W) G2 65nm (models CTO)	53Y7720	N
2	Microprocessor, Athlon II X2 240 (2.8GHz, 2M Total Cache, AM3, 65W) C2 45nm (models 91Z)	64Y8012	N
2	Microprocessor, Athlon II X2 245 (2.9GHz, 2M Total Cache, AM3, 65W) C2 45nm (models 91Z)	64Y8013	N

Item #	9342 FRUs	FRU#	CRU
2	Microprocessor, Athlon II X3 435 (2.9GHz, 1.5M Total Cache, AM3, 95W) C2 45nm (models 91Z)	64Y8020	N
2	Microprocessor, Phenom II X2 550 (3.1GHz, 7M Total Cache, AM3, 80W) C2 45nm (models 91Z)	64Y8024	N
2	Microprocessor, Phenom II X2 555 (3.2 GHz, 7M Total Cache, AM3, 80W) C3 45nm (models 91Z)	89Y0793	N
2	Microprocessor, Phenom II X3 720 (2.8GHz, 7.5M Total Cache, AM3, 95W) C2 45nm (models 91Z)	64Y8030	N
2	Microprocessor, Phenom II X4 910 (2.6GHz, 8M Total Cache, AM3, 95W) C2 45nm (models 91Z)	64Y8035	N
2	Microprocessor, Sempron LE-1250 (2.20GHz, 512K L2, 45W) G2 65nm (models) (models 91Z)	43C6168	N
2	Microprocessor, Sempron LE-1300 (2.30GHz, 512K L2, 45W) G2 65nm (models A5J A6J A2S A2P A2D A2Y D5J D6J)	43C8986	N
2	Microprocessor, Sempron 2100 X2 (1.80GHz, 512K L2, 65W) G2 65nm (models)	46R3629	N
2	Microprocessor, Sempron 2200 X2 (2.00GHz, 512K L2, 65W) G2 65nm (models)	46R3630	N
2	Microprocessor, Sempron X2 2300 (2.2GHz, 512K L2, 65W) G2 65nm (models CTO)	53Y7724	N
2	Microprocessor, Sempron 140 (2.7GHz, 1M Total Cache, AM3, 45W) C2 45nm (models 91Z)	71Y6414	N
2	Microprocessor, Phenom 8600B (2.30GHz, 1.5M L2, 2M L3, 95W) stepping B2 65nm (models A4J D9J E1J)	45R6494	N
2	Microprocessor, Phenom 9550 (2.20GHz, 2M L2, 2M L3, 95W) stepping B3 65nm (models)	45R6496	N
2	Microprocessor, Phenom 9650 (2.30GHz, 2M L2, 2M L3, 95W) stepping B3 65nm (models)	45R6498	N
2	Microprocessor, Phenom 9600B (2.30GHz, 2M L2, 2M L3, 95W) stepping B2 65nm (models D3V)	45R6500	N
2	Microprocessor, Phenom 8450 (2.10GHz, 1.5M L2, 2M L3, 95W) B3 65nm (models B2J B5J B8J E4J E5J E6J E7J)	45R6490	N
2	Microprocessor, Phenom X3 8600B (2.3GHz, 1.5M L2, 2M L3, 95W) B3 65nm (models)	45R6494	N
2	Microprocessor, Phenom 9550 (2.20GHz, 2M L2, 2M L3, 95W) stepping B3 65nm (models CTO)	53Y7709	N
2	Microprocessor, Phenom X4 9750B (2.4 GHz, 512K / 2M L2, 95W) B3 65nm (models CTO)	53Y7711	N
3	DVD-ROM Drive - 16x/48x - SATA Vista & non-Vista (models A5J A7J D3V B9C D5J D7J D9J)	41N3325	2
3	DVD-ROM Drive - 16x/48x - With DVD playback software (models A5J A7J D3V B9C D5J D7J D9J)	71Y5543	2
3	DVD Recordable/CD-RW Rambo 8 - SATA Vista & non-Vista (models D4M A4J A6J A8J A9J B1J B2J B3J B4J B5J B6J B7J B8J A1J D6J D8J E1J E2J E3J E4J E5J E6J E7J)	43C1042	2
3	DVD-RW/CD-RW Rambo 8 - With write software (models D4M A4J A6J A8J A9J B1J B2J B3J B4J B5J B6J B7J B8J A1J D6J D8J E1J E2J E3J E4J E5J E6J E7J)	71Y5545	2
4	Front Power/LED PC, bracket, and cable (all models)	41N8213	2
5	Hard disk drive, 80GB, 7200RPM, SATA (models)	40Y9034	2

Item #	9342 FRUs	FRU#	CRU
5	Hard disk drive, 160GB, 7200RPM, SATA (models A4J A5J A6J A7J A8J A1J A2S A2P A2D A2Y A3S A3P A3D A3Y B9C D5J D6J E2J E4J E5J)	40Y9035	2
5	Hard disk drive, SATA 160GB 7200RPM/3Gb/8MB (models A4J A5J A6J A7J A8J A1J A2S A2P A2D A2Y A3S A3P A3D A3Y B9C D5J D6J E2J E4J E5J)	53Y6837	2
5	Hard disk drive, 250GB, 7200RPM, SATA (models D4M A9J B1J B2J B3J B4J B5J B6J B7J B8J D3V D7J D8J E3J E6J)	40Y9036	2
5	Hard disk drive, SATA 250GB 7200RPM/3Gb/8MB (models D4M A9J B1J B2J B3J B4J B5J B6J B7J B8J D3V D7J D8J E3J E6J)	45K0408	2
5	Hard disk drive, 320GB 7200rpm SATA/8MB (models D9J E1J)	87H4891	2
5	Hard disk drive, SATA 320GB 7200rpm SATA/8MB (models D9J E1J)	45K0409	2
5	Hard disk drive, SATA 500GB 7200RPM/3Gb/s/8MB (models E7J)	41X5582	2
5	Hard disk drive, SATA 500GB 7200RPM/3Gb/s/8MB (models E7J)	45K0410	2
6	Diskette drive, 3.5" 1.44MB 2 Mode FDD with Bezel and cable (models)	40Y9105	2
6	Diskette drive, 3.5" 1.44MB 2 Mode FDD with Bezel and cable (models)	40Y9107	2
7	Front USB/Audio with bracket (all models)	41N8212	2
8	Memory module, 512 MB PC2-5300 (667MHz) DDR2 SDRAM (models A2S A2P A2D A2Y )	41X4255	2
8	Memory module, 512MB PC2-6400 (800MHz) DDR2 SDRAM (models)	41X1079	2
8	Memory module, 1GB PC2-6400 (667MHz) DDR2 SDRAM (models D4M A4J A7J A8J A9J B1J B2J B3J B4J B5J B6J B7J B8J A1J B9C D5J D6J D7J D8J D9J E1J E2J E3J E4J E5J E6J E7J)	41X1080	2
8	Memory module, 2GB PC2-6400 (667MHz) DDR2 SDRAM (models)	41X1081	2
9	System board, Planar AMD RS780 mATX (TOWER & ROCKYS) (models 99G D4M A4J A5J A6J A7J A8J A9J B1J B2J B3J B4J B5J B6J B7J B8J A1J D3V A2S A2P A2D A2Y A3S A3P A3D A3Y B9C D5J D6J D7J D8J D9J E1J E2J E3J E4J E5J E6J E7J)	71Y5724	N
9	System board, Planar AMD RS780 mATX GA Level - TPM Disable for Russia (models 99G)	71Y4994	N
9	System board, Planar AMD RS780 mATX GA Level - Support Phenom II X2 555 (models 91Z)	89Y1346	N
9	System board, Planar AMD RS780 mATX GA Level -Support Win7 and AM3 C2 CPU (models 91Z)	89Y1809	N
10	Power Supply, ATX 280 Watt world wide (models D4M D3V A2S A2P A2D A2Y A3S A3P A3D A3Y B9C D1C D2C)	41A9684	2
10	Power Supply, ATX 280 Watt 80% world wide and Japan (models D4M A4J A5J A6J A7J A8J A9J B1J B2J B3J B4J B5J B6J B7J B8J A1J D3V A2S A2P A2D A2Y A3S A3P A3D A3Y B9C D5J D6J D7J D8J D9J E1J E2J E3J E4J E5J E6J E7J )	41A9665	2
10	Power Supply, ATX 310 Watt world wide and Japan (models D4M A4J A5J A6J A7J A8J A9J B1J B2J B3J B4J B5J B6J B7J B8J A1J D3V A2S A2P A2D A2Y A3S A3P A3D A3Y B9C D5J D6J D7J D8J D9J E1J E2J E3J E4J E5J E6J E7J)	41A9726	2
10	Power Supply, 220 Watt world wide (models D4M D3V A2S A2P A2D A2Y A3S A3P A3D A3Y B9C)	41A9689	N
10	Power Supply, 220 Watt only for Japan (models A4J A5J A6J A7J A8J A9J B1J B2J B3J B4J B5J B6J B7J B8J A1J D5J D6J D7J D8J D9J E1J E2J E3J E4J E5J E6J E7J)	41A9697	N



Item #	9342 FRUs	FRU#	CRU
10	Power Supply, 220 Watt 80% world wide and Japan (models D4M A4J A5J A6J A7J A8J A9J B1J B2J B3J B4J B5J B6J B7J B8J A1J D3V A2S A2P A2D A2Y A3S A3P A3D A3Y B9C D5J D6J D7J D8J D9J E1J E2J E3J E4J E5J E6J E7J)	41A9670	N
10	Power Supply, 280 Watt TFX Active PFC, world wide and Japan (models D4M A4J A5J A6J A7J A8J A9J B1J B2J B3J B4J B5J B6J B7J B8J A1J D3V A2S A2P A2D A2Y A3S A3P A3D A3Y B9C D5J D6J D7J D8J D9J E1J E2J E3J E4J E5J E6J E7J)	41A9705	N

The FRUs listed in the following tables are not illustrated.

9342 FRUs	FRU#	CRU
Fru rear IO shield ATX,for RX 780,Atlantic (all models)	41R6383	N
FDD Cable (all models)	41A7147	2
Cabel-SATA 250mm (RoHS) (all models)	43N9012	2
EMC Shield, Blank 5.25 (all models)	41N8271	2
EMC Shield, Blank FDD (all models)	41N8273	2
Cover, Rocky S3 (all models)	41N8204	2
Mechanical shell kit Rocky S4 (all models)	43N9374	N
Bezel kit, Rocky S3 without IBM logo (all models)	41R6238	2
Misc Hardware Kit (all models)	41N8209	2
HDD Bracket Asm (plastic and grommets) (all models)	41N8210	2
HDD Fan and bracket asm (all models)	41R6325	2
Speaker Cable Asm, 600 mm cable length (all models)	41N8217	2
Rear Com2 cable II LP (all models)	42Y8008	2
Rear USB 2Ports II LP (all models)	42Y8006	2
Foot stand ASM for ACE rocky S3 (all models)	41R4813	1
Instruction switch Asm (all models)	41R6208	2
RM Asm, AMD (all models)	41R2507	N
Temp Sense Cable (165 mm) (all models)	43N9079	2
Cable, MINI,COM2 CABLE(ROHS) (all models)	41R6198	2

9342 Keyboards (Lenovo Preferred Pro USB -- without hub)	FRU#	CRU Tier
USB FULL--US English (models D4M)	41A5289	1
USB FULL--Arabic (models)	41A5290	1
USB FULL--Arabic/French (models)	41A5291	1
USB FULL--Belgian/French (models)	41A5292	1
USB FULL--Belgium English (models)	41A5293	1
USB FULL--Brazilian Portuguese (models A2P A3P )	41A5294	1
USB FULL--Bulgarian (models)	41A5295	1
USB FULL--Chinese/US (models D3V)	41A5296	1
USB FULL--Czech (ABB) (models)	41A5297	1

<b>9342 Keyboards (Lenovo Preferred Pro USB -- without hub)</b>	<b>FRU#</b>	<b>CRU Tier</b>
USB FULL--Danish (models)	41A5298	1
USB FULL--Dutch (models)	41A5299	1
USB FULL--French (models)	41A5300	1
USB FULL--French Canadian (models)	41A5301	1
USB FULL--French Canadian (models)	41A5302	1
USB FULL--German (models)	41A5303	1
USB FULL--Greek (models)	41A5304	1
USB FULL--Greek/US (models)	41A5305	1
USB FULL--Hebrew (models)	41A5306	1
USB FULL--Hungarian (models)	41A5307	1
USB FULL--Iceland (models)	41A5308	1
USB FULL--Italy (models)	41A5309	1
USB FULL--Japanese (models A4J A5J A6J A7J A8J A9J B1J B2J B3J B4J B5J B6J B7J B8J A1J D5J D6J D7J D8J D9J E1J E2J E3J E4J E5J E6J E7J)	41A5310	1
USB FULL--Korean (models)	41A5311	1
USB FULL--LA Spanish (models A2S A2D A2Y A3S A3D A3Y )	41A5312	1
USB FULL--Norwegian (models)	41A5313	1
USB FULL--Polish (models)	41A5314	1
USB FULL--Portuguese (models)	41A5315	1
USB FULL--Romanian (models)	41A5317	1
USB FULL--Russian/Cyrillic (models)	41A5318	1
USB FULL--Serbian/Cyrillic (models)	41A5319	1
USB FULL--Slovak (models)	41A5320	1
USB FULL--Spanish (models)	41A5321	1
USB FULL--Swedish/Finnish (models)	41A5322	1
USB FULL--Swiss F/G (models)	41A5323	1
USB FULL--Thailand (models)	41A5324	1
USB FULL--Turkish (models)	41A5325	1
USB FULL--Turkish (models)	41A5326	1
USB FULL--UK English (models)	41A5327	1
USB FULL--US Euro (models)	41A5328	1
USB FULL--Slovenian (models)	41A5329	1

<b>9342 Keyboards (Lenovo Fingerprint Reader USB)</b>	<b>FRU#</b>	<b>CRU Tier</b>
US English (models)	41R0038	1
Arabic (models)	41R0039	1
Arabic/French (models)	41R0040	1
Belgian/French (models)	41R0041	1

<b>9342 Keyboards (Lenovo Fingerprint Reader USB)</b>	<b>FRU#</b>	<b>CRU Tier</b>
Belgium English (models)	41R0042	1
Brazilian Portuguese (models)	41R0043	1
Bulgarian (models)	41R0044	1
Chinese/US (models)	41R0045	1
Czech (ABB) (models)	41R0046	1
Danish (models)	41R0047	1
Dutch (models)	41R0048	1
French (models)	41R0049	1
French Canadian (models)	41R0050	1
French Canadian (models)	41R0051	1
German (models)	41R0052	1
Greek (models)	41R0053	1
Greek/US (models)	41R0054	1
Hebrew (models)	41R0055	1
Hungarian (models)	41R0056	1
Iceland (models)	41R0057	1
Italy (models)	41R0058	1
Japanese (models)	41R0059	1
Korean (models)	41R0060	1
LA Spanish (models)	41R0061	1
Norwegian (models)	41R0062	1
Polish (models)	41R0063	1
Portuguese (models)	41R0064	1
Romanian (models)	41R0065	1
Romanian (models)	41R0066	1
Russian/Cyrillic (models)	41R0067	1
Serbian/Cyrillic (models)	41R0068	1
Slovak (models)	41R0069	1
Spanish (models)	41R0070	1
Swedish/Finnish (models)	41R0071	1
Swiss F/G (models)	41R0072	1
Thailand (models)	41R0073	1
Turkish (models)	41R0074	1
Turkish (models)	41R0075	1
UK English (models)	41R0076	1
US Euro (models)	41R0077	1
Slovenian (models)	41R0078	1

<b>9342 Keyboards (Lenovo Preferred Pro PS/2 Full Size)</b>	<b>FRU#</b>	<b>CRU Tier</b>
PS/2 Full--US English (models)	41A5039	1
PS/2 Full--Arabic (models)	41A5040	1
PS/2 Full--Arabic/French (models)	41A5041	1
PS/2 Full--Belgian/French (models)	41A5042	1
PS/2 Full--Belgium English (models)	41A5043	1
PS/2 Full--Brazilian Portuguese (models)	41A5044	1
PS/2 Full--Bulgarian (models)	41A5045	1
PS/2 Full--Chinese/US (models)	41A5046	1
PS/2 Full--Czech (ABB) (models)	41A5047	1
PS/2 Full--Danish (models)	41A5048	1
PS/2 Full--Dutch (models)	41A5049	1
PS/2 Full--French (models)	41A5050	1
PS/2 Full--French Canadian (models)	41A5051	1
PS/2 Full--French Canadian (models)	41A5052	1
PS/2 Full--German (models)	41A5053	1
PS/2 Full--Greek (models)	41A5054	1
PS/2 Full--Greek/US (models)	41A5080	1
PS/2 Full--Hebrew (models)	41A5055	1
PS/2 Full--Hungarian (models)	41A5056	1
PS/2 Full--Iceland (models)	41A5057	1
PS/2 Full--Italy (models)	41A5058	1
PS/2 Full--Japanese (models)	41A5059	1
PS/2 Full--Korean (models)	41A5060	1
PS/2 Full--LA Spanish (models)	41A5061	1
PS/2 Full--Norwegian (models)	41A5062	1
PS/2 Full--Polish (models)	41A5063	1
PS/2 Full--Portuguese (models)	41A5064	1
PS/2 Full--Romanian (models)	41A5065	1
PS/2 Full--Russian/Cyrillic (models)	41A5066	1
PS/2 Full--Serbian/Cyrillic (models)	41A5067	1
PS/2 Full--Slovak (models)	41A5068	1
PS/2 Full--Spanish (models)	41A5069	1
PS/2 Full--Swedish/Finnish (models)	41A5070	1
PS/2 Full--Swiss F/G (models)	41A5071	1
PS/2 Full--Thailand (models)	41A5072	1
PS/2 Full--Turkish (models)	41A5073	1
PS/2 Full--Turkish (models)	41A5074	1
PS/2 Full--UK English (models)	41A5075	1

<b>9342 Keyboards (Lenovo Preferred Pro PS/2 Full Size)</b>	<b>FRU#</b>	<b>CRU Tier</b>
PS/2 Full--US Euro (models)	41A5076	1
PS/2 Full--Slovenian (models)	41A5077	1

<b>9342 mice</b>	<b>FRU#</b>	<b>CRU</b>
Optical Wheel Mouse OPT (400DPI, USB) (models D4M A4J A5J A6J A7J A8J A9J B1J B2J B3J B4J B5J B6J B7J B8J A1J D3V A2S A2P A2D A2Y A3S A3P A3D A3Y B9C D5J D6J D7J D8J D9J E1J E2J E3J E4J E5J E6J E7J)	41U3013	1
Optical Wheel Mouse OPT (400DPI, USB) (models D4M A4J A5J A6J A7J A8J A9J B1J B2J B3J B4J B5J B6J B7J B8J A1J D3V A2S A2P A2D A2Y A3S A3P A3D A3Y B9C D5J D6J D7J D8J D9J E1J E2J E3J E4J E5J E6J E7J)	41U3030	1
PS/2 Three Button ball mouse scrollpoint (41R0017) (models)	41R0018	1

<b>9342 Adapters and miscellaneous FRUs</b>	<b>FRU#</b>	<b>CRU</b>
Internal USB Memory Card Reader floppy bay (models)	41R3378	2
Internal 20 in 1 USB Memory Card Reader (models CTO)	45R8139	1
NVIDIA GeForce 9300 GE 256M Low Profile (1*DVI) (Rockey) (models)	53Y5823	2
ATI HD 2600XT 512MB 128BIT ATX (models)	43C0261	2
IEEE 1394 Firewire Adapter SFF (models)	41D2781	2
IEEE 1394 Firewire Adapter ATX (models)	41D2781	2
Soft Modem V.90/V.44 SFF (models)	29R9729	2
Soft Modem V.90/V.44 ATX (models)	29R9729	2
ATI HD 2400PRO 128MB 64BIT DMS59 LP (models)	43C0259	2
ATI HD 2400PRO 128MB 64BIT DMS59 ATX (models)	43C0259	2
ATI HD 2400XT 256MB 64BIT DMS59 LP Secondary (models)	64Y3997	2
Speaker Power brick - US, Canada, LA low voltage, ASEAN (models)	89P8571	1
Speaker Power brick - LA high voltage (non-APU) (models)	89P8575	1
Speaker Power brick - SIMPLIFIED -CHN, Thailand EMEA (models B9C)	89P8581	1
Speaker Power brick - Japan (models A4J A5J A6J A7J A8J A9J B1J B2J B3J B4J B5J B6J B7J B8J A1J D5J D6J D7J D8J D9J E1J E2J E3J E4J E5J E6J E7J)	89P8577	1
Speaker Power brick - Brazil (models)	89P8583	1
Speaker Power brick - Argentina (models)	41A4901	1
Speaker Power brick - ANZ (models D4M)	89P8579	1
Speaker Power brick - Korean (models)	41A4903	1
Speaker Power brick - Hong Kong, EMEA (models)	89P8573	1
Speaker Power brick -TAIWAN-TC (models D3V)	41A4905	1
Speaker Power brick - India, South Africa (models)	89P8585	1
Dongle DMS Dule DMS-59 to dual VGA Cable (models)	42Y8181	2
Dongle DMS Dule DMS-59 to dual DVI Cable (models)	41X6398	2
Dongle DMS Dule DMS-59 to single VGA & single DVI Cable (models)	42Y8183	2
2-pc external speaker--primary (models)	41A5331	1

<b>9342 Adapters and miscellaneous FRUs</b>	<b>FRU#</b>	<b>CRU</b>
2-pc external speaker-secondary (models)	41A5334	1
DVI-I(M)-VGA(F) cord (models CTO)	41R3342	2
Battery 3V- Lithium (models 99G D4M A4J A5J A6J A7J A8J A9J B1J B2J B3J B4J B5J B6J B7J B8J A1J D3V A2S A2P A2D A2Y A3S A3P A3D A3Y B9C D5J D6J D7J D8J D9J E1J E2J E3J E4J E5J E6J E7J)	45C1566	1
HD 3470 256M 64bit DP ATX/LP (models)	64Y4498	2
DP to DVI dongle (models)	43N9160	2
Bitland 88E8075 1000M PCIE DASH NIC FH (R)(Rocky) (models)	53Y4008	2
AMD Display Port card LP® (Rocky) (models)	53Y4002	1

<b>9342 Power Cords</b>	<b>FRU#</b>	<b>CRU</b>
Power cord - US (models A2S A2Y A3S A3Y )	41R3184	1
Power cord - US (models A2S A2Y A3S A3Y)	41R3185	1
Power cord - China (models B9C)	41R3256	1
Power cord - China (models B9C)	41R3257	1
Power cord - Japanese and Japanese English (models A4J A5J A6J A7J A8J A9J B1J B2J B3J B4J B5J B6J B7J B8J A1J D5J D6J D7J D8J D9J E1J E2J E3J E4J E5J E6J E7J)	41R3248	1
Power cord - Japanese and Japanese English (models A4J A5J A6J A7J A8J A9J B1J B2J B3J B4J B5J B6J B7J B8J A1J D5J D6J D7J D8J D9J E1J E2J E3J E4J E5J E6J E7J)	41R3249	1
Power cord - Brazil (Portigese) (models A2P A3P)	41R3270	1
Power cord - Brazil (Portigese) (models A2P A3P)	41R3271	1
Power cord - LA High Volt (APU) (models)	41R3176	1
Power cord - LA High Volt (APU) (models)	41R3177	1
Power cord - ANZ (models)	41R3196	1
Power cord - ANZ (models)	41R3197	1
Power cord - Korea (models)	41R3260	1
Power cord - Korea (models)	41R3261	1
Power cord - UK, Ireland, Singapore, Malaysia, Brunei, Hongkong (models)	41R3224	1
Power cord - UK, Ireland, Singapore, Malaysia, Brunei, Hongkong (models)	41R3225	1
Power cord - Taiwan (models D3V)	41R3278	1
Power cord - Taiwan (models D3V)	41R3279	1
Power cord - Italy (models A2S A2D A2Y A3S A3D A3Y)	41R3232	1
Power cord - Italy (models A2S A2D A2Y A3S A3D A3Y)	41R3233	1
Power cord - Indonesia, Laos, Cambodia, Vietnam, Austria, Belgium, Croatia, Czechoslovakia, Finland, France, Germany, Hungary, Netherlands, Norway, Poland, Portugal, Romania, Spain, Sweden (models A2S A2Y A3S A3Y)	41R3208	1
Power cord - Indonesia, Laos, Cambodia, Vietnam, Austria, Belgium, Croatia, Czechoslovakia, Finland, France, Germany, Hungary, Netherlands, Norway, Poland, Portugal, Romania, Spain, Sweden (models A2S A2Y A3S A3Y)	41R3209	1
Power cord - Denmark (models)	41R3212	1
Power cord - Denmark (models)	41R3213	1
Power cord - Switzerland (models)	41R3228	1

<b>9342 Power Cords</b>	<b>FRU#</b>	<b>CRU</b>
Power cord - Switzerland (models)	41R3229	1
Power cord - Israel (models)	41R3236	1
Power cord - Israel (models)	41R3237	1
Power cord - South Africa (models D4M)	41R3220	1
Power cord - South Africa (models D4M)	41R3221	1
Power cord - India (models)	41R3341	1
Power cord - India (models)	41R3175	1
Power cord - Thailand (models)	43N9029	1
Power cord - Thailand (models)	43N9030	1
Power cord - Brazil (models)	43N9044	1

<b>9342 Windows XP Home Recovery CDs</b>	<b>FRU#</b>	<b>CRU</b>
US English/UK/Asia Pacific (models)	TBD	1
French/French Canadian (models)	TBD	1
Greek (models)	TBD	1
Italy (models)	TBD	1
Brazilian (models)	TBD	1
Spanish/LA (models)	TBD	1
Danish (models)	TBD	1
Dutch (models)	TBD	1
Arabic (models)	TBD	1
SV (Swedish) (models)	TBD	1
Hebrew (models)	TBD	1
Finnish (models)	TBD	1
Norwegian (models)	TBD	1
Polish (models)	TBD	1
Portugese (models)	TBD	1
Russian (models)	TBD	1
Russian English (models)	TBD	1
Hungarian (models)	TBD	1
Czech (models)	TBD	1
Turkish native (models)	TBD	1
Greek (models)	TBD	1
Japanese (models)	TBD	1
Simplified Chinese (models)	TBD	1
Taiwan-TC (models)	TBD	1
Hong Kong-TC (models)	TBD	1
Korean (models)	TBD	1

<b>9342 Windows XP Pro Recovery CDs</b>	<b>FRU#</b>	<b>CRU</b>
English (models)	64Y5588	1
Japanese (models D5J D6J D7J D8J D9J E1J)	64Y6202	1
Simplified Chinese (models)	64Y5590	1
Spanish (models)	64Y5591	1
French (models)	64Y5592	1
Italian (models)	64Y5593	1
Brazilian Portuguese (models)	64Y5594	1
German (models)	64Y5595	1
Hong Kong (models)	64Y5596	1
Swedish (models)	64Y5597	1
Danish (models)	64Y5598	1
Norway (models)	64Y5599	1
Finland (models)	64Y5600	1
Arabic (models)	64Y5601	1
Traditional Chinese (models)	64Y5602	1
Russian (models)	64Y5603	1
Polish (models)	64Y5604	1
Hebrew (models)	64Y5605	1
Korea (models)	64Y5606	1
Greek (models)	64Y5607	1
Turkish (models)	64Y5608	1
Dutch (models)	64Y5609	1
Slovenian (models)	64Y5610	1
Hungarian (models)	64Y5611	1
Czech (models)	64Y5612	1
Portuguese (models)	64Y5613	1
Russian English (models)	64Y5614	1
MUI Nordics (EN-DK-FI-NO-SV) (models)	71Y6401	1
MUI Switz (EN-FR-GR-IT) (models)	71Y6402	1
MUI Bel-Lux (EN-FR-GR-NL) (models)	71Y6403	1

<b>9342 Vista Home Basic 32 Recovery CDs</b>	<b>FRU#</b>	<b>CRU</b>
US English (models)	46R8053	1
French (models)	46R8057	1
German (models)	46R8060	1
Spanish (models)	46R8056	1
Brazilian (models)	46R8059	1
Italian (models)	46R8058	1
Japanese (models)	46R8054	1



<b>9342 Vista Home Basic 32 Recovery CDs</b>	<b>FRU#</b>	<b>CRU</b>
Dutch (models)	46R8070	1
Czech (models)	46R8074	1
Polish (models)	46R8065	1
Russian (models)	46R8064	1
Turkish (models)	46R8069	1
Hungarian (models)	46R8073	1
Greek (models)	46R8068	1
Portuguese (models)	46R8077	1
Hong Kong (models)	46R8061	1
Traditional Chinese (models)	46R8063	1
Korean (models)	46R8067	1
Slovenian (models)	46R8071	1
Russian English (models)	46R8078	1
Hebrew (models)	46R8066	1
Arabic Localized (models)	46R8062	1
Slovakian (models)	46R8075	1
Simplified Chinese (models)	46R8055	1
Serbian-Latin (models)	46R8076	1
Romanian (models)	46R8072	1
Belgium-Luxembourg (models)	53Y4230	1
Switzerland (models)	53Y4231	1
Nordics (models)	53Y4232	1

<b>9342 Vista Business 32 Recovery CDs</b>	<b>FRU#</b>	<b>CRU</b>
US English (models D4M)	46R8079	1
French (models)	46R8083	1
German (models)	46R8086	1
Spanish (models)	46R8082	1
Brazilian (models)	46R8085	1
Italian (models)	46R8084	1
Japanese (models A4J A5J A6J A7J A8J A9J B1J B2J B3J B4J B5J B6J B7J B8J A1J E2J E3J E4J E5J E6J E7J)	64Y6205	1
English for Indian (models D4M)	64Y9435	1
Dutch (models)	46R8096	1
Czech (models)	46R8100	1
Polish (models)	46R8091	1
Russian (models)	46R8090	1
Turkish (models)	46R8095	1
Hungarian (models)	46R8099	1

<b>9342 Vista Business 32 Recovery CDs</b>	<b>FRU#</b>	<b>CRU</b>
Greek (models)	46R8094	1
Portuguese (models)	46R8103	1
Simplified Chinese (models)	46R8081	1
Hong Kong (models)	46R8087	1
Traditional Chinese (models)	46R8089	1
Korean (models)	46R8093	1
Slovenian (models)	46R8097	1
Russian English (models)	46R8104	1
Romanian (models)	46R8098	1
Sebian-Latin (models)	46R8102	1
Hebrew (models)	46R8092	1
Arabic Localized (models)	46R8088	1
Slovakian (models)	46R8101	1
Belgium-Luxembourg (models 99G D4M)	53Y4233	1
Switzerland (models 99G D4M)	53Y4234	1
Nordics (models 99G)	53Y4235	1

<b>9342 Vista Premium 32 Recovery CDs</b>	<b>FRU#</b>	<b>CRU</b>
US English (models)	46R8141	1
French (models)	46R8143	1
German (models)	46R8144	1
Spanish (models)	46R8145	1
Italian (models)	46R8146	1
Japanese (models)	64Y6208	1
Hong Kong (models)	46R8147	1
Korean (models)	46R8148	1
Athens Vista SP1 MUL 1 P/N's VHP32 (EN FR GR NL) (models)	53Y4236	1
Athens Vista SP1 MUL 2 P/N's VHP32 (EN FR GR IT) (models)	53Y4237	1
Athens Vista SP1 MUL 3P/N's VHP32 (EN DK FI NO SV) (models)	53Y4238	1

<b>9342 Vista Business 64 Recovery CDs</b>	<b>FRU#</b>	<b>CRU</b>
US English (models)	46R8131	1
French (models)	46R8134	1
German (models)	46R8135	1
Japanese (models)	64Y6210	1
Simplified Chinese (models)	46R8133	1

<b>9342 Vista Ultimate 32 Recovery CDs</b>	<b>FRU#</b>	<b>CRU</b>
US English (models)	46R8149	1
Japanese (models)	64Y6209	1

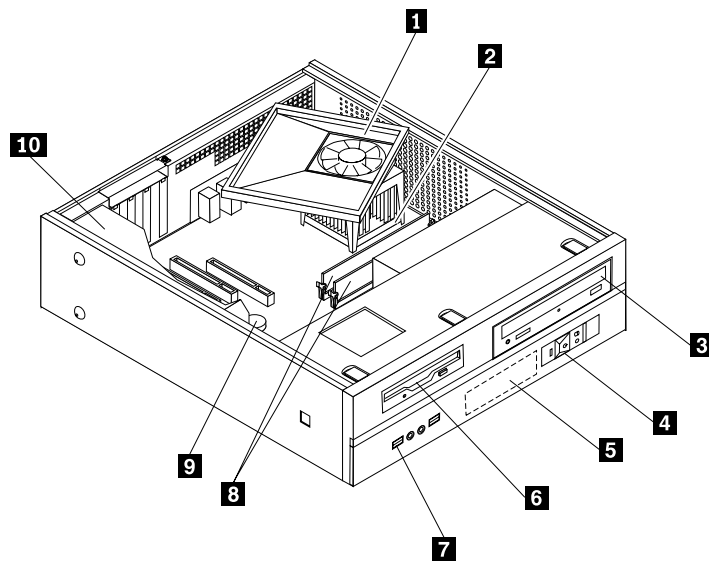
9342 Vista Ultimate 32 Recovery CDs	FRU#	CRU
French (models)	46R8151	1
German (models)	46R8152	1
Spanish (models)	46R8153	1
Italian (models)	46R8154	1
Hong Kong (models)	46R8155	1
Arabic Localized (models)	46R8156	1
Athens Vista SP1 MUL 1 P/N's VU32 (EN DK FI NO SV) (models)	53Y4239	1

9342 Vista Starter 32 Recovery CDs	FRU#	CRU
English (models)	46R8052	1

9342 Vista Home Premium 64 Recovery CDs	FRU#	CRU
French (models)	71Y6634	1
German (models)	71Y6635	1

9342 Win7 Professional 32	FRU#	CRU
Brazilian Portuguese (all models)	89Y0454	1

## Machine Type 9344



Item #	9344 FRUs	FRU#	CRU
1	AMD 89W&65W 4Pin heatsink (ROCKYS) (all models)	41R6407	2
2	Microprocessor, Athlon64 4800+ X2 (2.50GHz, 1M L2, 65W) G1 65nm (models)	43C4093	N
2	Microprocessor, Athlon64 5000+ X2 (2.60GHz, 1M L2, 65W) G1 65nm (models)	41X1427	N
2	Microprocessor, Athlon 1640B (2.70GHz, 512K L2, 45W) G2 65nm (models CTO)	45R6488	N

Item #	9344 FRUs	FRU#	CRU
2	Microprocessor, Athlon64 5200+ AM2 X2 (2.7 GHz processor, 65W) stepping G1 65nm (models)	45C7502	N
2	Microprocessor, Athlon64 5400B X2(2.80GHz, 1M L2, 65W) G2 65nm (models CTO)	45R6486	N
2	Microprocessor, Athlon64 5600+ X2 (2.90GHz, 1M L2, 89W) G2 65nm (models)	45C7504	N
2	Microprocessor, Athlon X2 BE 2350 (2.1GHz processor, 45W, 1MB L2) steping G1 (models)	43C6166	N
2	Microprocessor, Athlon X2 BE 2400 (2.3GHz processor, 45W, 1MB L2) steping G1 (models)	43C6165	N
2	Microprocessor, Athlon 4450B X2 (2.30GHz, 1M L2, 45W) G2 65nm (models)	46R3624	N
2	Microprocessor, Athlon 5000B X2 (2.60GHz, 1M L2, 65W) G2 65nm (models CTO)	46R3625	N
2	Microprocessor, Athlon 5200B X2 (2.70GHz, 1M L2, 65W) G2 65nm (models CTO)	46R3626	N
2	Microprocessor, Athlon LE-1660 (2.8 GHz, 512K L2, 45W) G2 65nm (models CTO)	53Y7722	N
2	Microprocessor, Athlon X2 5600B (2.9 GHz, 1M L2, 65W) G2 65nm (models CTO)	53Y7718	N
2	Microprocessor, Athlon64 X2 6000+ (3.1 GHz, 1M L2, 89W) G2 65nm (models CTO)	53Y7720	N
2	Microprocessor, Sempron LE-1250 (2.20GHz, 512K L2, 45W) G2 65nm (models)	43C6168	N
2	Microprocessor, Sempron LE-1300 (2.30GHz, 512K L2, 45W) G2 65nm (models)	43C8986	N
2	Microprocessor, Sempron 2100 X2 (1.80GHz, 512K L2, 65W) G2 65nm (models)	46R3629	N
2	Microprocessor, Sempron 2200 X2 (2.00GHz, 512K L2, 65W) G2 65nm (models)	46R3630	N
2	Microprocessor, Sempron X2 2300 (2.2GHz, 512K L2, 65W) G2 65nm (models CTO)	53Y7724	N
2	Microprocessor, Sempron 140 (2.7GHz, 1M Total Cache, AM3, 45W) C2 45nm (models 91Z)	71Y6414	N
2	Microprocessor, Phenom 8600B (2.30GHz, 1.5M L2, 2M L3, 95W) stepping B2 65nm (models)	45R6494	N
2	Microprocessor, Athlon II X2 240 (2.8GHz, 2M Total Cache, AM3, 65W) C2 45nm (models 91Z)	64Y8012	N
2	Microprocessor Athlon II X2 245 (2.9GHz, 2M Total Cache, AM3, 65W) C2 45nm (models 91Z)	64Y8013	N
2	Microprocessor Athlon II X3 435 (2.9GHz, 1.5M Total Cache, AM3, 95W) C2 45nm (models 91Z)	64Y8020	N
2	Microprocessor Phenom II X2 550 (3.1GHz, 7M Total Cache, AM3, 80W) C2 45nm (models 91Z)	64Y8024	N
2	Microprocessor Phenom II X2 555 (3.2 GHz, 7M Total Cache, AM3, 80W) C3 45nm (models 91Z)	89Y0793	N
2	Microprocessor Phenom II X3 720 (2.8GHz, 7.5M Total Cache, AM3, 95W) C2 45nm (models 91Z)	64Y8030	N
2	Microprocessor Phenom II X4 910 (2.6GHz, 8M Total Cache, AM3, 95W) C2 45nm (models 91Z)	64Y8035	N
2	Microprocessor, Phenom 9550 (2.20GHz, 2M L2, 2M L3, 95W) stepping B3 65nm (models)	45R6496	N
2	Microprocessor, Phenom 9650 (2.30GHz, 2M L2, 2M L3, 95W) stepping B3 65nm (models)	45R6498	N
2	Microprocessor, Phenom 9600B (2.30GHz, 2M L2, 2M L3, 95W) stepping B2 65nm (models)	45R6500	N

Item #	9344 FRUs	FRU#	CRU
2	Microprocessor, Phenom 8450 (2.10GHz, 1.5M L2, 2M L3, 95W) B3 65nm (models CTO)	45R6490	N
2	Microprocessor, Phenom X3 8600B (2.3GHz, 1.5M L2, 2M L3, 95W) B3 65nm (models)	45R6494	N
2	Microprocessor, Phenom 9550 (2.20GHz, 2M L2, 2M L3, 95W) stepping B3 65nm (models CTO)	53Y7709	N
2	Microprocessor, Phenom X4 9750B (2.4 GHz, 512K / 2M L2, 95W) B3 65nm (models CTO)	53Y7711	N
3	DVD-ROM Drive - 16x/48x - SATA Vista & non-Vista (models)	41N3325	2
3	DVD-ROM Drive - 16x/48x - With DVD playback software (models)	71Y5543	2
3	DVD Recordable/CD-RW Rambo 8 - SATA Vista & non-Vista (models)	43C1042	2
3	DVD-RW/CD-RW Rambo 8 - With write software (models)	71Y5545	2
4	Front Power/LED PC, bracket, and cable (all models)	41N8213	2
5	Hard disk drive, 80GB, 7200RPM, SATA (models)	40Y9034	2
5	Hard disk drive, 160GB, 7200RPM, SATA (models)	40Y9035	2
5	Hard disk drive, SATA 160GB 7200RPM/3Gb/8MB (models)	53Y6837	2
5	Hard disk drive, SATA 250GB 7200RPM/3Gb/8MB (models)	45K0408	2
5	Hard disk drive, SATA 320GB 7200rpm SATA/8MB (models)	45K0409	2
5	Hard disk drive, SATA 500GB 7200RPM/3Gb/s/8MB (models)	45K0410	2
5	Hard disk drive, 250GB, 7200RPM, SATA (models)	40Y9036	2
5	Hard disk drive, 320GB 7200rpm SATA/8MB (models)	87H4891	2
5	Hard disk drive, SATA 500GB 7200RPM/3Gb/s/8MB (models)	41X5582	2
6	Diskette drive, 3.5" 1.44MB 2 Mode FDD with Bezel and cable (models)	40Y9105	2
6	Diskette drive, 3.5" 1.44MB 2 Mode FDD with Bezel and cable (models)	40Y9107	2
7	Front USB/Audio with bracket (all models)	41N8212	2
8	Memory module, 512 MB PC2-5300 (667MHz) DDR2 SDRAM (models)	41X4255	2
8	Memory module, 512MB PC2-6400 (800MHz) DDR2 SDRAM (models)	41X1079	2
8	Memory module, 1GB PC2-6400 (667MHz) DDR2 SDRAM (models)	41X1080	2
8	Memory module, 2GB PC2-6400 (667MHz) DDR2 SDRAM (models)	41X1081	2
9	System board, Planar AMD RS780 mATX (TOWER & ROCKYS) (models)	71Y5724	N
9	System board, Planar AMD RS780 mATX GA Level - TPM Disable for Russia (models)	71Y4994	N
9	System board, Planar AMD RS780 mATX GA Level - Support Phenom II X2 555 (models 91Z)	89Y1346	N
9	System board, Planar AMD RS780 mATX GA Level -Support Win7 and AM3 C2 CPU (models 91Z)	89Y1809	N
10	Power Supply, ATX 280 Watt world wide (models)	41A9684	2
10	Power Supply, ATX 280 Watt 80% world wide and Japan (models)	41A9665	2
10	Power Supply, ATX 310 Watt world wide and Japan (models)	41A9726	2
10	Power Supply, 220 Watt world wide (models)	41A9689	N
10	Power Supply, 220 Watt only for Japan (models)	41A9697	N

Item #	9344 FRUs	FRU#	CRU
10	Power Supply, 220 Watt 80% world wide and Japan (models)	41A9670	N
10	Power Supply, 280 Watt TFX Active PFC, world wide and Japan (models)	41A9705	N

The FRUs listed in the following tables are not illustrated.

9344 FRUs	FRU#	CRU
Fru rear IO shield ATX,for RX 780,Atlantic (all models)	41R6383	N
FDD Cable (all models)	41A7147	2
Cabel-SATA 250mm (RoHS) (all models)	43N9012	2
EMC Shield, Blank 5.25 (all models)	41N8271	2
EMC Shield, Blank FDD (all models)	41N8273	2
Cover, Rocky S3 (all models)	41N8204	2
Mechanical shell kit Rocky S4 (all models)	43N9374	N
Bezel kit, Rocky S3 without IBM logo (all models)	41R6238	2
Misc Hardware Kit (all models)	41N8209	2
HDD Bracket Asm (plastic and grommets) (all models)	41N8210	2
HDD Fan and bracket asm (all models)	41R6325	2
Speaker Cable Asm, 600 mm cable length (all models)	41N8217	2
Rear Com2 cable II LP (all models)	42Y8008	2
Rear USB 2Ports II LP (all models)	42Y8006	2
Foot stand ASM for ACE rocky S3 (all models)	41R4813	1
Instruction switch Asm (all models)	41R6208	2
RM Asm, AMD (all models)	41R2507	N
Temp Sense Cable (165 mm) (all models)	43N9079	2

9344 Keyboards (Lenovo Preferred Pro USB -- without hub)	FRU#	CRU Tier
USB FULL--US English (models)	41A5289	1
USB FULL--Arabic (models)	41A5290	1
USB FULL--Arabic/French (models)	41A5291	1
USB FULL--Belgian/French (models)	41A5292	1
USB FULL--Belgium English (models)	41A5293	1
USB FULL--Brazilian Portuguese (models)	41A5294	1
USB FULL--Bulgarian (models)	41A5295	1
USB FULL--Chinese/US (models)	41A5296	1
USB FULL--Czech (ABB) (models)	41A5297	1
USB FULL--Danish (models)	41A5298	1
USB FULL--Dutch (models)	41A5299	1
USB FULL--French (models)	41A5300	1

<b>9344 Keyboards (Lenovo Preferred Pro USB -- without hub)</b>	<b>FRU#</b>	<b>CRU Tier</b>
USB FULL--French Canadian (models)	41A5301	1
USB FULL--French Canadian (models)	41A5302	1
USB FULL--German (models)	41A5303	1
USB FULL--Greek (models)	41A5304	1
USB FULL--Greek/US (models)	41A5305	1
USB FULL--Hebrew (models)	41A5306	1
USB FULL--Hungarian (models)	41A5307	1
USB FULL--Iceland (models)	41A5308	1
USB FULL--Italy (models)	41A5309	1
USB FULL--Japanese (models)	41A5310	1
USB FULL--Korean (models)	41A5311	1
USB FULL--LA Spanish (models)	41A5312	1
USB FULL--Norwegian (models)	41A5313	1
USB FULL--Polish (models)	41A5314	1
USB FULL--Portugese (models)	41A5315	1
USB FULL--Romanian (models)	41A5317	1
USB FULL--Russian/Cyrillic (models)	41A5318	1
USB FULL--Serbian/Cyrillic (models)	41A5319	1
USB FULL--Slovak (models)	41A5320	1
USB FULL--Spanish (models)	41A5321	1
USB FULL--Swedish/Finnish (models)	41A5322	1
USB FULL--Swiss F/G (models)	41A5323	1
USB FULL--Thailand (models)	41A5324	1
USB FULL--Turkish (models)	41A5325	1
USB FULL--Turkish (models)	41A5326	1
USB FULL--UK English (models)	41A5327	1
USB FULL--US Euro (models)	41A5328	1
USB FULL--Slovenian (models)	41A5329	1

<b>9344 Keyboards (Lenovo Fingerprint Reader USB)</b>	<b>FRU#</b>	<b>CRU Tier</b>
US English (models)	41R0038	1
Arabic (models)	41R0039	1
Arabic/French (models)	41R0040	1
Belgian/French (models)	41R0041	1
Belgium English (models)	41R0042	1
Brazilian Portuguese (models)	41R0043	1
Bulgarian (models)	41R0044	1
Chinese/US (models)	41R0045	1

<b>9344 Keyboards (Lenovo Fingerprint Reader USB)</b>	<b>FRU#</b>	<b>CRU Tier</b>
Czech (ABB) (models)	41R0046	1
Danish (models)	41R0047	1
Dutch (models)	41R0048	1
French (models)	41R0049	1
French Canadian (models)	41R0050	1
French Canadian (models)	41R0051	1
German (models)	41R0052	1
Greek (models)	41R0053	1
Greek/US (models)	41R0054	1
Hebrew (models)	41R0055	1
Hungarian (models)	41R0056	1
Iceland (models)	41R0057	1
Italy (models)	41R0058	1
Japanese (models)	41R0059	1
Korean (models)	41R0060	1
LA Spanish (models)	41R0061	1
Norwegian (models)	41R0062	1
Polish (models)	41R0063	1
Portuguese (models)	41R0064	1
Romanian (models)	41R0065	1
Romanian (models)	41R0066	1
Russian/Cyrillic (models)	41R0067	1
Serbian/Cyrillic (models)	41R0068	1
Slovak (models)	41R0069	1
Spanish (models)	41R0070	1
Swedish/Finnish (models)	41R0071	1
Swiss F/G (models)	41R0072	1
Thailand (models)	41R0073	1
Turkish (models)	41R0074	1
Turkish (models)	41R0075	1
UK English (models)	41R0076	1
US Euro (models)	41R0077	1
Slovenian (models)	41R0078	1

<b>9344 Keyboards (Lenovo Preferred Pro PS/2 Full Size)</b>	<b>FRU#</b>	<b>CRU Tier</b>
PS/2 Full--US English (models)	41A5039	1
PS/2 Full--Arabic (models)	41A5040	1
PS/2 Full--Arabic/French (models)	41A5041	1



<b>9344 Keyboards (Lenovo Preferred Pro PS/2 Full Size)</b>	<b>FRU#</b>	<b>CRU Tier</b>
PS/2 Full--Belgian/French (models)	41A5042	1
PS/2 Full--Belgium English (models)	41A5043	1
PS/2 Full--Brazilian Portuguese (models)	41A5044	1
PS/2 Full--Bulgarian (models)	41A5045	1
PS/2 Full--Chinese/US (models)	41A5046	1
PS/2 Full--Czech (ABB) (models)	41A5047	1
PS/2 Full--Danish (models)	41A5048	1
PS/2 Full--Dutch (models)	41A5049	1
PS/2 Full--French (models)	41A5050	1
PS/2 Full--French Canadian (models)	41A5051	1
PS/2 Full--French Canadian (models)	41A5052	1
PS/2 Full--German (models)	41A5053	1
PS/2 Full--Greek (models)	41A5054	1
PS/2 Full--Greek/US (models)	41A5080	1
PS/2 Full--Hebrew (models)	41A5055	1
PS/2 Full--Hungarian (models)	41A5056	1
PS/2 Full--Iceland (models)	41A5057	1
PS/2 Full--Italy (models)	41A5058	1
PS/2 Full--Japanese (models)	41A5059	1
PS/2 Full--Korean (models)	41A5060	1
PS/2 Full--LA Spanish (models)	41A5061	1
PS/2 Full--Norwegian (models)	41A5062	1
PS/2 Full--Polish (models)	41A5063	1
PS/2 Full--Portugese (models)	41A5064	1
PS/2 Full--Romanian (models)	41A5065	1
PS/2 Full--Russian/Cyrillic (models)	41A5066	1
PS/2 Full--Serbian/Cyrillic (models)	41A5067	1
PS/2 Full--Slovak (models)	41A5068	1
PS/2 Full--Spanish (models)	41A5069	1
PS/2 Full--Swedish/Finnish (models)	41A5070	1
PS/2 Full--Swiss F/G (models)	41A5071	1
PS/2 Full--Thailand (models)	41A5072	1
PS/2 Full--Turkish (models)	41A5073	1
PS/2 Full--Turkish (models)	41A5074	1
PS/2 Full--UK English (models)	41A5075	1
PS/2 Full--US Euro (models)	41A5076	1
PS/2 Full--Slovenian (models)	41A5077	1

<b>9344 mice</b>	<b>FRU#</b>	<b>CRU</b>
Optical Wheel Mouse OPT (400DPI, USB) (models)	41U3013	1
Optical Wheel Mouse OPT (400DPI, USB) (models)	41U3030	1
PS/2 Three Button ball mouse scrollpoint (41R0017) (models)	41R0018	1

<b>9344 Adapters and miscellaneous FRUs</b>	<b>FRU#</b>	<b>CRU</b>
Internal USB Memory Card Reader floppy bay (models)	41R3378	2
Internal 20 in 1 USB Memory Card Reader (models CTO)	45R8139	1
NVIDIA GeForce 9300 GE 256M Low Profile (1*DVI) (Rockey) (models CTO)	53Y5823	2
ATI HD 2600XT 512MB 128BIT ATX (models)	43C0261	2
IEEE 1394 Firewire Adapter SFF (models)	41D2781	2
IEEE 1394 Firewire Adapter ATX (models)	41D2781	2
Soft Modem V.90/V.44 SFF (models)	29R9729	2
Soft Modem V.90/V.44 ATX (models)	29R9729	2
ATI HD 2400PRO 128MB 64BIT DMS59 LP (models)	43C0259	2
ATI HD 2400PRO 128MB 64BIT DMS59 ATX (models)	43C0259	2
ATI HD 2400XT 256MB 64BIT DMS59 LP Secondary (models)	64Y3997	2
Speaker Power brick - US, Canada, LA low voltage, ASEAN (models)	89P8571	1
Speaker Power brick - LA high voltage (non-APU) (models)	89P8575	1
Speaker Power brick - SIMPLIFIED -CHN, Thailand EMEA(models)	89P8581	1
Speaker Power brick - Japan (models)	89P8577	1
Speaker Power brick - Brazil (models)	89P8583	1
Speaker Power brick - Argentina (models)	41A4901	1
Speaker Power brick - ANZ (models)	89P8579	1
Speaker Power brick - Korean (models)	41A4903	1
Speaker Power brick - Hong Kong, EMEA (models)	89P8573	1
Speaker Power brick -TAIWAN-TC (models)	41A4905	1
Speaker Power brick - India, South Africa (models)	89P8585	1
Dongle DMS Dule DMS-59 to dual VGA Cable (models)	42Y8181	2
Dongle DMS Dule DMS-59 to dual DVI Cable (models)	41X6398	2
Dongle DMS Dule DMS-59 to single VGA & single DVI Cable (models)	42Y8183	2
2-pc external speaker--primary (models)	41A5331	1
2-pc external speaker-secondary (models)	41A5334	1
DVI-I(M)-VGA(F) cord (models CTO)	41R3342	2
Battery 3V- Lithium (models)	45C1566	1
HD 3470 256M 64bit DP ATX/LP (models)	64Y4498	2
DP to DVI dongle (models)	43N9160	2
Bitland 88E8075 1000M PCIE DASH NIC FH (R)(Rocky) (models)	53Y4008	2
AMD Display Port card LP® (Rocky) (models)	53Y4002	1

9344 Power Cords	FRU#	CRU
Power cord - US (models)	41R3184	1
Power cord - US (models)	41R3185	1
Power cord - China (models)	41R3256	1
Power cord - China (models)	41R3257	1
Power cord - Japanese and Japanese English (models)	41R3248	1
Power cord - Japanese and Japanese English (models)	41R3249	1
Power cord - Brazil (Portigese) (models)	41R3270	1
Power cord - Brazil (Portigese) (models)	41R3271	1
Power cord - LA High Volt (APU) (models)	41R3176	1
Power cord - LA High Volt (APU) (models)	41R3177	1
Power cord - ANZ (models)	41R3196	1
Power cord - ANZ (models)	41R3197	1
Power cord - Korea (models)	41R3260	1
Power cord - Korea (models)	41R3261	1
Power cord - UK, Ireland, Singapore, Malaysia, Brunei, Hongkong (models)	41R3224	1
Power cord - UK, Ireland, Singapore, Malaysia, Brunei, Hongkong (models)	41R3225	1
Power cord - Taiwan (models)	41R3278	1
Power cord - Taiwan (models)	41R3279	1
Power cord - Italy (models)	41R3232	1
Power cord - Italy (models)	41R3233	1
Power cord - Indonesia, Laos, Cambodia, Vietnam, Austria, Belgium, Croatia, Czechoslovakia, Finland, France, Germany, Hungary, Netherlands, Norway, Poland, Portugal, Romania, Spain, Sweden (models)	41R3208	1
Power cord - Indonesia, Laos, Cambodia, Vietnam, Austria, Belgium, Croatia, Czechoslovakia, Finland, France, Germany, Hungary, Netherlands, Norway, Poland, Portugal, Romania, Spain, Sweden (models)	41R3209	1
Power cord - Denmark (models)	41R3212	1
Power cord - Denmark (models)	41R3213	1
Power cord - Switzerland (models)	41R3228	1
Power cord - Switzerland (models)	41R3229	1
Power cord - Israel (models)	41R3236	1
Power cord - Israel (models)	41R3237	1
Power cord - South Africa (models)	41R3220	1
Power cord - South Africa (models)	41R3221	1
Power cord - India (models)	41R3341	1
Power cord - India (models)	41R3175	1
Power cord - Thailand (models)	43N9029	1
Power cord - Thailand (models)	43N9030	1
Power cord - Brazil (models)	43N9044	1

<b>9344 Windows XP Home Recovery CDs</b>	<b>FRU#</b>	<b>CRU</b>
US English/UK/Asia Pacific (models)	TBD	1
French/French Canadian (models)	TBD	1
Greek (models)	TBD	1
Italy (models)	TBD	1
Brazilian (models)	TBD	1
Spanish/LA (models)	TBD	1
Danish (models)	TBD	1
Dutch (models)	TBD	1
Arabic (models)	TBD	1
SV (Swedish) (models)	TBD	1
Hebrew (models)	TBD	1
Finnish (models)	TBD	1
Norwegian (models)	TBD	1
Polish (models)	TBD	1
Portugese (models)	TBD	1
Russian (models)	TBD	1
Russian English (models)	TBD	1
Hungarian (models)	TBD	1
Czech (models)	TBD	1
Turkish native (models)	TBD	1
Greek (models)	TBD	1
Japanese (models)	TBD	1
Simplified Chinese (models)	TBD	1
Taiwan-TC (models)	TBD	1
Hong Kong-TC (models)	TBD	1
Korean (models)	TBD	1

<b>9344 Windows XP Pro Recovery CDs</b>	<b>FRU#</b>	<b>CRU</b>
English (models)	64Y5588	1
Japanese (models)	64Y6202	1
Simplified Chinese (models)	64Y5590	1
Spanish (models)	64Y5591	1
French (models)	64Y5592	1
Italian (models)	64Y5593	1
Brazilian Portuguese (models)	64Y5594	1
German (models)	64Y5595	1
Hong Kong (models)	64Y5596	1
Swedish (models)	64Y5597	1
Danish (models)	64Y5598	1

<b>9344 Windows XP Pro Recovery CDs</b>	<b>FRU#</b>	<b>CRU</b>
Norway (models)	64Y5599	1
Finland (models)	64Y5600	1
Arabic (models)	64Y5601	1
Traditional Chinese (models)	64Y5602	1
Russian (models)	64Y5603	1
Polish (models)	64Y5604	1
Hebrew (models)	64Y5605	1
Korea (models)	64Y5606	1
Greek (models)	64Y5607	1
Turkish (models)	64Y5608	1
Dutch (models)	64Y5609	1
Slovenian (models)	64Y5610	1
Hungarian (models)	64Y5611	1
Czech (models)	64Y5612	1
Portuguese (models)	64Y5613	1
Russian English (models)	64Y5614	1
MUI Nordics (EN-DK-FI-NO-SV) (models)	71Y6401	1
MUI Switz (EN-FR-GR-IT) (models)	71Y6402	1
MUI Bel-Lux (EN-FR-GR-NL) (models)	71Y6403	1

<b>9344 Vista Home Basic 32 Recovery CDs</b>	<b>FRU#</b>	<b>CRU</b>
US English (models)	46R8053	1
French (models)	46R8057	1
German (models)	46R8060	1
Spanish (models)	46R8056	1
Brazilian (models)	46R8059	1
Italian (models)	46R8058	1
Japanese (models)	64Y6207	1
Dutch (models)	46R8070	1
Czech (models)	46R8074	1
Polish (models)	46R8065	1
Russian (models)	46R8064	1
Turkish (models)	46R8069	1
Hungarian (models)	46R8073	1
Greek (models)	46R8068	1
Portuguese (models)	46R8077	1
Hong Kong (models)	46R8061	1
Traditional Chinese (models)	46R8063	1
Korean (models)	46R8067	1

<b>9344 Vista Home Basic 32 Recovery CDs</b>	<b>FRU#</b>	<b>CRU</b>
Slovenian (models)	46R8071	1
Russian English (models)	46R8078	1
Hebrew (models)	46R8066	1
Arabic Localized (models)	46R8062	1
Slovakian (models)	46R8075	1
Simplified Chinese (models)	46R8055	1
Serbian-Latin (models)	46R8076	1
Romanian (models)	46R8072	1
Belgium-Luxembourg (models)	53Y4230	1
Switzerland (models)	53Y4231	1
Nordics (models)	53Y4232	1

<b>9344 Vista Business 32 Recovery CDs</b>	<b>FRU#</b>	<b>CRU</b>
US English (models)	46R8079	1
French (models)	46R8083	1
German (models)	46R8086	1
Spanish (models)	46R8082	1
Brazilian (models)	46R8085	1
Italian (models)	46R8084	1
Japanese (models)	64Y6205	1
English for Indian (models)	64Y9435	1
Dutch (models)	46R8096	1
Czech (models)	46R8100	1
Polish (models)	46R8091	1
Russian (models)	46R8090	1
Turkish (models)	46R8095	1
Hungarian (models)	46R8099	1
Greek (models)	46R8094	1
Portuguese (models)	46R8103	1
Simplified Chinese (models)	46R8081	1
Hong Kong (models)	46R8087	1
Traditional Chinese (models)	46R8089	1
Korean (models)	46R8093	1
Slovenian (models)	46R8097	1
Russian English (models)	46R8104	1
Romanian (models)	46R8098	1
Sebian-Latin (models)	46R8102	1
Hebrew (models)	46R8092	1
Arabic Localized (models)	46R8088	1

<b>9344 Vista Business 32 Recovery CDs</b>	<b>FRU#</b>	<b>CRU</b>
Slovakian (models)	46R8101	1
Belgium-Luxembourg (models AAU AAL AAG AAM AAA AAQ AAH AAR AAE)	53Y4233	1
Switzerland (models AAU AAL AAG AAM AAA AAQ AAH AAR AAE)	53Y4234	1
Nordics (models AAG)	53Y4235	1

<b>9344 Vista Premium 32 Recovery CDs</b>	<b>FRU#</b>	<b>CRU</b>
US English (models)	46R8141	1
French (models)	46R8143	1
German (models)	46R8144	1
Spanish (models)	46R8145	1
Italian (models)	46R8146	1
Japanese (models)	64Y6208	1
Hong Kong (models)	46R8147	1
Korean (models)	46R8148	1
Athens Vista SP1 MUL 1 P/N's VHP32 (EN FR GR NL) (models)	53Y4236	1
Athens Vista SP1 MUL 2 P/N's VHP32 (EN FR GR IT) (models)	53Y4237	1
Athens Vista SP1 MUL 3P/N's VHP32 (EN DK FI NO SV) (models)	53Y4238	1

<b>9344 Vista Business 64 Recovery CDs</b>	<b>FRU#</b>	<b>CRU</b>
US English (models)	46R8131	1
French (models)	46R8134	1
German (models)	46R8135	1
Japanese (models)	64Y6210	1
Simplified Chinese (models)	46R8133	1

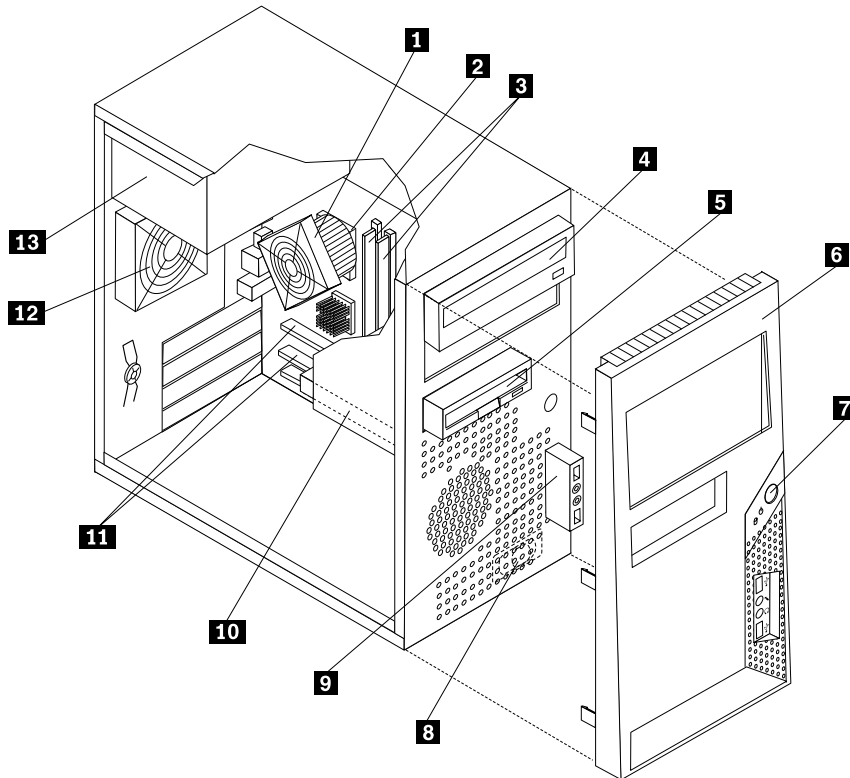
<b>9344 Vista Ultimate 32 Recovery CDs</b>	<b>FRU#</b>	<b>CRU</b>
US English (models)	46R8149	1
Japanese (models)	64Y6209	1
French (models)	46R8151	1
German (models)	46R8152	1
Spanish (models)	46R8153	1
Italian (models)	46R8154	1
Hong Kong (models)	46R8155	1
Arabic Localized (models)	46R8156	1
Athens Vista SP1 MUL 1 P/N's VU32 (EN DK FI NO SV) (models)	53Y4239	1

<b>9344 Vista Starter 32 Recovery CDs</b>	<b>FRU#</b>	<b>CRU</b>
English (models)	46R8052	1

9344 Vista Home Premium 64 Recovery CDs	FRU#	CRU
US (models)	71Y6634	1
French (models)	71Y6635	1

9344 Win7 Professional 32	FRU#	CRU
Brazilian Portuguese (all models)	89Y0454	1

## Machine Type 9353



Item #	9353 FRUs	FRU#	CRU
1	AMD 89W&65W 4Pin heatsink (all models)	41R6407	2
2	Microprocessor, Athlon64 4800+ X2 (2.50GHz, 1M L2, 65W) G1 65nm (models)	43C4093	N
2	Microprocessor, Athlon64 5000+ X2 (2.60GHz, 1M L2, 65W) G1 65nm (models)	41X1427	N
2	Microprocessor, Athlon 1640B (2.70GHz, 512K L2, 45W) G2 65nm (models)	45R6488	N
2	Microprocessor, Athlon64 5200+ X2 (2.70GHz, 1M L2, 65W) G1 65nm (models)	45C7502	N
2	Microprocessor, Athlon64 5400B X2(2.80GHz, 1M L2, 65W) G2 65nm (models)	45R6486	N
2	Microprocessor, Athlon64 5600+ X2 (2.90GHz, 1M L2, 89W) G2 65nm (models)	45C7504	N
2	Microprocessor, Athlon BE-2350 X2 (2.10GHz, 1M L2, 45W) G2 65nm (models)	43C6166	N
2	Microprocessor, Athlon BE-2400 X2 (2.30GHz, 1M L2, 45W) G2 65nm (models)	43C6165	N
2	Microprocessor, Athlon 4450B X2 (2.30GHz, 1M L2, 45W) G2 65nm (models)	46R3624	N
2	Microprocessor, Athlon 5000B X2 (2.60GHz, 1M L2, 65W) G2 65nm (models)	46R3625	N



Item #	9353 FRUs	FRU#	CRU
2	Microprocessor, Athlon 5200B X2 (2.70GHz, 1M L2, 65W) G2 65nm (models)	46R3626	N
2	Microprocessor, Athlon LE-1660 (2.8 GHz, 512K L2, 45W) G2 65nm (models)	53Y7722	N
2	Microprocessor, Athlon X2 5600B (2.9 GHz, 1M L2, 65W) G2 65nm (models)	53Y7718	N
2	Microprocessor, Athlon64 X2 6000+ (3.1 GHz, 1M L2, 89W) G2 65nm (models)	53Y7720	N
2	Microprocessor, Sempron LE-1250 (2.20GHz, 512K L2, 45W) G2 65nm (models)	43C6168	N
2	Microprocessor, Sempron LE-1300 (2.30GHz, 512K L2, 45W) G2 65nm (models)	43C8986	N
2	Microprocessor, Sempron 2100 X2 (1.80GHz, 512K L2, 65W) G2 65nm (models)	46R3629	N
2	Microprocessor, Sempron 2200 X2 (2.00GHz, 512K L2, 65W) G2 65nm (models)	46R3630	N
2	Microprocessor, Sempron X2 2300 (2.2GHz, 512K L2, 65W) G2 65nm (models)	53Y7724	N
2	Microprocessor, Phenom 8600B (2.30GHz, 1.5M L2, 2M L3, 95W) stepping B2 65nm (models)	45R6494	N
2	Microprocessor, Sempron 140 (2.7GHz, 1M Total Cache, AM3, 45W) C2 45nm (models 91Z)	71Y6414	N
2	Microprocessor, Phenom 9550 (2.20GHz, 2M L2, 2M L3, 95W) stepping B3 65nm (models)	45R6496	N
2	Microprocessor, Athlon II X2 240 (2.8GHz, 2M Total Cache, AM3, 65W) C2 45nm (models 91Z)	64Y8012	N
2	Microprocessor, Athlon II X2 245 (2.9GHz, 2M Total Cache, AM3, 65W) C2 45nm (models 91Z)	64Y8013	N
2	Microprocessor, Athlon II X3 435 (2.9GHz, 1.5M Total Cache, AM3, 95W) C2 45nm (models 91Z)	64Y8020	N
2	Microprocessor, Phenom II X2 550 (3.1GHz, 7M Total Cache, AM3, 80W) C2 45nm (models 91Z)	64Y8024	N
2	Microprocessor, Phenom II X2 555 (3.2 GHz, 7M Total Cache, AM3, 80W) C3 45nm (models 91Z)	89Y0793	N
2	Microprocessor, Phenom II X3 720 (2.8GHz, 7.5M Total Cache, AM3, 95W) C2 45nm (models 91Z)	64Y8030	N
2	Microprocessor, Phenom II X4 910 (2.6GHz, 8M Total Cache, AM3, 95W) C2 45nm (models 91Z)	64Y8035	N
2	Microprocessor, Phenom 9650 (2.30GHz, 2M L2, 2M L3, 95W) stepping B3 65nm (models)	45R6498	N
2	Microprocessor, Phenom 9600B (2.30GHz, 2M L2, 2M L3, 95W) stepping B2 65nm (models)	45R6500	N
2	Microprocessor, Phenom 8450 (2.10GHz, 1.5M L2, 2M L3, 95W) B3 65nm (models)	45R6490	N
2	Microprocessor, Phenom X3 8600B (2.3GHz, 1.5M L2, 2M L3, 95W) B3 65nm (models)	45R6494	N
2	Microprocessor, Phenom 9550 (2.20GHz, 2M L2, 2M L3, 95W) stepping B3 65nm (models)	53Y7709	N
2	Microprocessor, Phenom X4 9750B (2.4 GHz, 512K / 2M L2, 95W) B3 65nm (models)	53Y7711	N
3	Memory module, 512MB PC2-5300 (667MHz) DDR2 SDRAM (models)	41X4255	2
3	Memory module, 512MB PC2-6400 (800MHz) DDR2 SDRAM (models)	41X1079	2
3	Memory module, 1GB PC2-6400 (667MHz) DDR2 SDRAM (models)	41X1080	2
3	Memory module, 2GB PC2-6400 (667MHz) DDR2 SDRAM (models)	41X1081	2

Item #	9353 FRUs	FRU#	CRU
4	DVD-ROM Drive - 16x/48x - SATA Vista & non-Vista (models)	41N3325	2
4	DVD-ROM Drive - 16x/48x - With DVD playback software (models)	71Y5543	2
4	DVD Recordable/CD-RW Rambo 8 - SATA Vista & non-Vista (models)	43C1042	2
4	DVD-RW/CD-RW Rambo 8 - With write software (models)	71Y5545	2
5	Diskette drive, 3.5" 1.44MB 2 Mode FDD with Bezel and cable (models)	40Y9105	2
5	Diskette drive, 3.5" 1.44MB 2 Mode FDD with Bezel and cable (models)	40Y9107	2
6	Bezel assembly, without IBM mark (all models)	41R6243	2
7	Power switch/LED assembly (all models)	41N5284	2
8	Speaker assembly, soldered terminals (all models)	39P5023	2
9	Front audio/USB assembly (all models)	41N8054	2
10	Hard disk drive, SATA 80GB 7200RPM/3Gb/8MB (models)	40Y9034	2
10	Hard disk drive, SATA 160GB 7200RPM/3Gb/8M (models)	40Y9035	2
10	Hard disk drive, SATA 160GB 7200RPM/3Gb/8MB (models)	53Y6837	2
10	Hard disk drive, SATA 250GB 7200RPM/3Gb/8MB (models)	45K0408	2
10	Hard disk drive, SATA 320GB 7200rpm SATA/8MB (models)	45K0409	2
10	Hard disk drive, SATA 500GB 7200RPM/3Gb/s/8MB (models)	45K0410	2
10	Hard disk drive, SATA 250GB 7200RPM/3Gb/8MB (models)	40Y9036	2
10	Hard disk drive, SATA 320GB 7200rpm SATA/8MB (models)	87H4891	2
10	Hard disk drive, SATA 500GB 7200RPM/3Gb/s/8MB (models)	41X5582	2
11	System board, Planar AMD RS780 mATX (TOWER & ROCKYS) (models)	71Y5724	N
11	System board, Planar AMD RS780 mATX GA Level - TPM Disable for Russia (models)	71Y4994	N
11	System board, Planar AMD RS780 mATX GA Level - Support Phenom II X2 555 (models 91Z)	89Y1346	N
11	System board, Planar AMD RS780 mATX GA Level -Support Win7 and AM3 C2 CPU (models 91Z)	89Y1809	N
12	System fan, rear (all models)	41R6269	2
12	System fan, rear (all models)	43N9908	2
13	Power supply, ATX 280W (Robust, WW) (models)	41A9684	2
13	Power supply, ATX 280W 80% (Robust, WW, JP) (models)	41A9665	2
13	Power supply, ATX 310W (Robust, WW, JP) (models)	41A9726	2
13	Power supply, 220W (Robust, WW) (models)	41A9689	N
13	Power supply, 220W only for JP (models)	41A9697	N
13	Power supply, 220W 80% (Robust, WW, JP) (models)	41A9670	N
13	Power supply, 280W TFX ,Active PFC, (Robust, WW, JP) (models)	41A9705	N

The FRUs listed in the following tables are not illustrated.

9353 FRUs	FRU#	CRU
Cover (all models)	41N8050	2
Retainer, Card Reader (all models)	41R2913	2

<b>9353 FRUs</b>	<b>FRU#</b>	<b>CRU</b>
Front Fan AVC (all models)	41R4791	2
HDD Tray (all models)	41R6291	2
FDD cable, 325mm, (all models)	41A7182	2
Cabel -SATA 457mm (RoHS) (all models)	43N9013	2
Cabel-SATA 250mm (RoHS) (all models)	43N9012	2
Optional HDD Bracket Asm (all models)	41R6106	2
EMC Shield (all models)	41N8080	2
EMC Shield (all models)	41N8078	2
Rear IO shield ATX,for RX 780,Atlantic (all models)	41R6383	N
Intrusion Switch Asm (all models)	41R6116	2
Temp Sense cable for Armstrong (460 mm) (all models)	41R2509	2
Blank 5.25" Bezel (all models)	41N8077	2
Asm Chassis Without IBM Mark Atlantic (all models)	41R6408	5
ODD/FDD/Cardreader Retainers (all models)	43N9351	2
AMD thermal KIT (all models)	41R6407	2
Cable Clip, FW-6D (all models)	43N9462	2
Fru,Tamdhu chassis primary HDD cage (all models)	45K6272	2

<b>9353 Keyboards (Lenovo Preferred Pro USB -- without hub)</b>	<b>FRU#</b>	<b>CRU Tier</b>
USB FULL--US English (models)	41A5289	1
USB FULL--Arabic (models)	41A5290	1
USB FULL--Arabic/French (models)	41A5291	1
USB FULL--Belgian/French (models)	41A5292	1
USB FULL--Belgium English (models)	41A5293	1
USB FULL--Brazilian Portuguese (models)	41A5294	1
USB FULL--Bulgarian (models)	41A5295	1
USB FULL--Chinese/US (models)	41A5296	1
USB FULL--Czech (ABB) (models)	41A5297	1
USB FULL--Danish (models)	41A5298	1
USB FULL--Dutch (models)	41A5299	1
USB FULL--French (models)	41A5300	1
USB FULL--French Canadian (models)	41A5301	1
USB FULL--French Canadian (models)	41A5302	1
USB FULL--German (models)	41A5303	1
USB FULL--Greek (models)	41A5304	1
USB FULL--Greek/US (models)	41A5305	1
USB FULL--Hebrew (models)	41A5306	1
USB FULL--Hungarian (models)	41A5307	1

<b>9353 Keyboards (Lenovo Preferred Pro USB -- without hub)</b>	<b>FRU#</b>	<b>CRU Tier</b>
USB FULL--Iceland (models)	41A5308	1
USB FULL--Italy (models)	41A5309	1
USB FULL--Japanese (models)	41A5310	1
USB FULL--Korean (models)	41A5311	1
USB FULL--LA Spanish (models)	41A5312	1
USB FULL--Norwegian (models)	41A5313	1
USB FULL--Polish (models)	41A5314	1
USB FULL--Portugese (models)	41A5315	1
USB FULL--Romanian (models)	41A5317	1
USB FULL--Russian/Cyrillic (models)	41A5318	1
USB FULL--Serbian/Cyrillic (models)	41A5319	1
USB FULL--Slovak (models)	41A5320	1
USB FULL--Spanish (models)	41A5321	1
USB FULL--Swedish/Finnish (models)	41A5322	1
USB FULL--Swiss F/G (models)	41A5323	1
USB FULL--Thailand (models)	41A5324	1
USB FULL--Turkish (models)	41A5325	1
USB FULL--Turkish (models)	41A5326	1
USB FULL--UK English (models)	41A5327	1
USB FULL--US Euro (models)	41A5328	1
USB FULL--Slovenian (models)	41A5329	1

<b>9353 Keyboards (Lenovo Fingerprint Reader USB)</b>	<b>FRU#</b>	<b>CRU Tier</b>
US English (models)	41R0038	1
Arabic (models)	41R0039	1
Arabic/French (models)	41R0040	1
Belgian/French (models)	41R0041	1
Belgium English (models)	41R0042	1
Brazilian Portuguese (models)	41R0043	1
Bulgarian (models)	41R0044	1
Chinese/US (models)	41R0045	1
Czech (ABB) (models)	41R0046	1
Danish (models)	41R0047	1
Dutch (models)	41R0048	1
French (models)	41R0049	1
French Canadian (models)	41R0050	1
French Canadian (models)	41R0051	1
German (models)	41R0052	1

<b>9353 Keyboards (Lenovo Fingerprint Reader USB)</b>	<b>FRU#</b>	<b>CRU Tier</b>
Greek (models)	41R0053	1
Greek/US (models)	41R0054	1
Hebrew (models)	41R0055	1
Hungarian (models)	41R0056	1
Iceland (models)	41R0057	1
Italy (models)	41R0058	1
Japanese (models)	41R0059	1
Korean (models)	41R0060	1
LA Spanish (models)	41R0061	1
Norwegian (models)	41R0062	1
Polish (models)	41R0063	1
Portuguese (models)	41R0064	1
Romanian (models)	41R0065	1
Romanian (models)	41R0066	1
Russian/Cyrillic (models)	41R0067	1
Serbian/Cyrillic (models)	41R0068	1
Slovak (models)	41R0069	1
Spanish (models)	41R0070	1
Swedish/Finnish (models)	41R0071	1
Swiss F/G (models)	41R0072	1
Thailand (models)	41R0073	1
Turkish (models)	41R0074	1
Turkish (models)	41R0075	1
UK English (models)	41R0076	1
US Euro (models)	41R0077	1
Slovenian (models)	41R0078	1

<b>9353 Keyboards (Lenovo Preferred Pro PS/2 Full Size)</b>	<b>FRU#</b>	<b>CRU Tier</b>
PS/2 Full--US English (models)	41A5039	1
PS/2 Full--Arabic (models)	41A5040	1
PS/2 Full--Arabic/French (models)	41A5041	1
PS/2 Full--Belgian/French (models)	41A5042	1
PS/2 Full--Belgium English (models)	41A5043	1
PS/2 Full--Brazilian Portuguese (models)	41A5044	1
PS/2 Full--Bulgarian (models)	41A5045	1
PS/2 Full--Chinese/US (models)	41A5046	1
PS/2 Full--Czech (ABB) (models)	41A5047	1
PS/2 Full--Danish (models)	41A5048	1

<b>9353 Keyboards (Lenovo Preferred Pro PS/2 Full Size)</b>	<b>FRU#</b>	<b>CRU Tier</b>
PS/2 Full--Dutch (models)	41A5049	1
PS/2 Full--French (models)	41A5050	1
PS/2 Full--French Canadian (models)	41A5051	1
PS/2 Full--French Canadian (models)	41A5052	1
PS/2 Full--German (models)	41A5053	1
PS/2 Full--Greek (models)	41A5054	1
PS/2 Full--Greek/US (models)	41A5080	1
PS/2 Full--Hebrew (models)	41A5055	1
PS/2 Full--Hungarian (models)	41A5056	1
PS/2 Full--Iceland (models)	41A5057	1
PS/2 Full--Italy (models)	41A5058	1
PS/2 Full--Japanese (models)	41A5059	1
PS/2 Full--Korean (models)	41A5060	1
PS/2 Full--LA Spanish (models)	41A5061	1
PS/2 Full--Norwegian (models)	41A5062	1
PS/2 Full--Polish (models)	41A5063	1
PS/2 Full--Portugese (models)	41A5064	1
PS/2 Full--Romanian (models)	41A5065	1
PS/2 Full--Russian/Cyrillic (models)	41A5066	1
PS/2 Full--Serbian/Cyrillic (models)	41A5067	1
PS/2 Full--Slovak (models)	41A5068	1
PS/2 Full--Spanish (models)	41A5069	1
PS/2 Full--Swedish/Finnish (models)	41A5070	1
PS/2 Full--Swiss F/G (models)	41A5071	1
PS/2 Full--Thailand (models)	41A5072	1
PS/2 Full--Turkish (models)	41A5073	1
PS/2 Full--Turkish (models)	41A5074	1
PS/2 Full--UK English (models)	41A5075	1
PS/2 Full--US Euro (models)	41A5076	1
PS/2 Full--Slovenian (models)	41A5077	1

<b>9353 mice</b>	<b>FRU#</b>	<b>CRU</b>
Optical Wheel Mouse (400DPI, USB) (models)	41U3013	1
Optical Wheel Mouse (400DPI, USB) (989models)	41U3030	1
PS/2 Three Button ball mouse (41R0017) (models)	41R0018	1

<b>9353 Adapters and miscellaneous FRUs</b>	<b>FRU#</b>	<b>CRU</b>
Internal USB Memory Card Reader floppy bay (models)	41R3378	2
Internal 20 in 1 USB Memory Card Reader (models)	45R8139	1

<b>9353 Adapters and miscellaneous FRUs</b>	<b>FRU#</b>	<b>CRU</b>
NVIDIA GeForce 9300 GE 256M Full Height (DVI+VGA) (TOWER) (models CTO)	45R5494	2
ATI HD 2600XT 512MB 128BIT ATX (models)	43C0261	2
IEEE 1394 Firewire Adapter SFF (models)	41D2781	2
IEEE 1394 Firewire Adapter ATX (models)	41D2781	2
Soft Modem V.90/V.44 SFF (models)	29R9729	2
Soft Modem V.90/V.44 ATX (models)	29R9729	2
ATI HD 2400PRO 128MB 64BIT DMS59 ATX (models)	43C0259	2
ATI HD 2400XT 256MB 64BIT DMS59 ATX Secondary (models)	46R4160	2
Speaker Power brick - US, Canada, LA low voltage, ASEAN (models)	89P8571	1
Speaker Power brick - LA high voltage (non-APU) (models)	89P8575	1
Speaker Power brick - SIMPLIFIED -CHN, Thailand EMEA(models)	89P8581	1
Speaker Power brick - Japan (models)	89P8577	1
Speaker Power brick - Brazil (models)	89P8583	1
Speaker Power brick - Argentina (models)	41A4901	1
Speaker Power brick - ANZ (models)	89P8579	1
Speaker Power brick - Korean (models)	41A4903	1
Speaker Power brick - Hong Kong, EMEA (models)	89P8573	1
Speaker Power brick -TAIWAN-TC (models)	41A4905	1
Speaker Power brick - India, South Africa (models)	89P8585	1
Dongle DMS Dule DMS-59 to dual VGA Cable (models)	42Y8181	2
Dongle DMS Dule DMS-59 to dual DVI Cable (models)	41X6398	2
Dongle DMS Dule DMS-59 to single VGA & single DVI Cable (models)	42Y8183	2
2-pc external speaker--primary (models)	41A5331	1
2-pc external speaker-secondary (models)	41A5334	1
DVI-I(M)-VGA(F) cord (models)	41R3342	2
Battery 3V- Lithium (models)	45C1566	1
HD 3470 256M 64bit DP ATX/LP (models)	46R1521	2
DP to DVI dongle (models)	43N9160	2
Bitland 88E8075 1000M PCIE DASH NIC FH (R)(Rocky) (models)	53Y4008	2
AMD Display Port card LP® (Rocky) (models)	53Y4002	1
MSI 9500GT 512MB 128BIT ATX (TOWER) (models)	46R1524	2

<b>9353 Power Cords</b>	<b>FRU#</b>	<b>CRU</b>
Power cord - US (models)	41R3184	1
Power cord - US (models)	41R3185	1
Power cord - China (models)	41R3256	1
Power cord - China (models)	41R3257	1
Power cord - Japanese and Japanese English (models)	41R3248	1
Power cord - Japanese and Japanese English (models)	41R3249	1

<b>9353 Power Cords</b>	<b>FRU#</b>	<b>CRU</b>
Power cord - Brazil (Portigese) (models)	41R3270	1
Power cord - Brazil (Portigese) (models)	41R3271	1
Power cord - LA High Volt (APU) (models)	41R3176	1
Power cord - LA High Volt (APU) (models)	41R3177	1
Power cord - ANZ (models)	41R3196	1
Power cord - ANZ (models)	41R3197	1
Power cord - Korea (models)	41R3260	1
Power cord - Korea (models)	41R3261	1
Power cord - UK, Ireland, Singapore, Malaysia, Brunei, Hongkong (models)	41R3224	1
Power cord - UK, Ireland, Singapore, Malaysia, Brunei, Hongkong (models)	41R3225	1
Power cord - Taiwan (models)	41R3278	1
Power cord - Taiwan (models)	41R3279	1
Power cord - Italy (models)	41R3232	1
Power cord - Italy (models)	41R3233	1
Power cord - Indonesia, Laos, Cambodia, Vietnam, Austria, Belgium, Croatia, Czechoslovakia, Finland, France, Germany, Hungary, Netherlands, Norway, Poland, Portugal, Romania, Spain, Sweden (models)	41R3208	1
Power cord - Indonesia, Laos, Cambodia, Vietnam, Austria, Belgium, Croatia, Czechoslovakia, Finland, France, Germany, Hungary, Netherlands, Norway, Poland, Portugal, Romania, Spain, Sweden (models)	41R3209	1
Power cord - Denmark (models)	41R3212	1
Power cord - Denmark (models)	41R3213	1
Power cord - Switzerland (models)	41R3228	1
Power cord - Switzerland (models)	41R3229	1
Power cord - Israel (models)	41R3236	1
Power cord - Israel (models)	41R3237	1
Power cord - South Africa (models)	41R3220	1
Power cord - South Africa (models)	41R3221	1
Power cord - India (models)	41R3341	1
Power cord - India (models)	41R3175	1
Power cord - Thailand (models)	43N9029	1
Power cord - Thailand (models)	43N9030	1
Power cord - Brazil (models)	43N9044	1

<b>9353 Windows XP Home Recovery CDs</b>	<b>FRU#</b>	<b>CRU</b>
US English/UK/Asia Pacific (models)	TBD	1
French/French Canadian (models)	TBD	1
Greek (models)	TBD	1
Italy (models)	TBD	1
Brazilian (models)	TBD	1



<b>9353 Windows XP Home Recovery CDs</b>	<b>FRU#</b>	<b>CRU</b>
Spanish/LA (models)	TBD	1
Danish (models)	TBD	1
Dutch (models)	TBD	1
Arabic (models)	TBD	1
SV (Swedish) (models)	TBD	1
Hebrew (models)	TBD	1
Finnish (models)	TBD	1
Norwegian (models)	TBD	1
Polish (models)	TBD	1
Portuguese (models)	TBD	1
Russian (models)	TBD	1
Russian English (models)	TBD	1
Hungarian (models)	TBD	1
Czech (models)	TBD	1
Turkish native (models)	TBD	1
Greek (models)	TBD	1
Japanese (models)	TBD	1
Simplified Chinese (models)	TBD	1
Taiwan-TC (models)	TBD	1
Hong Kong-TC (models)	TBD	1
Korean (models)	TBD	1

<b>9353 Windows XP Pro Recovery CDs</b>	<b>FRU#</b>	<b>CRU</b>
English (models)	64Y5588	1
Japanese (models)	64Y6202	1
Simplified Chinese (models)	64Y5590	1
Spanish (models)	64Y5591	1
French (models)	64Y5592	1
Italian (models)	64Y5593	1
Brazilian Portuguese (models)	64Y5594	1
German (models)	64Y5595	1
Hong Kong (models)	64Y5596	1
Swedish (models)	64Y5597	1
Danish (models)	64Y5598	1
Norway (models)	64Y5599	1
Finland (models)	64Y5600	1
Arabic (models)	64Y5601	1
Traditional Chinese (models)	64Y5602	1
Russian (models)	64Y5603	1

<b>9353 Windows XP Pro Recovery CDs</b>	<b>FRU#</b>	<b>CRU</b>
Polish (models)	64Y5604	1
Hebrew (models)	64Y5605	1
Korea (models)	64Y5606	1
Greek (models)	64Y5607	1
Turkish (models)	64Y5608	1
Dutch (models)	64Y5609	1
Slovenian (models)	64Y5610	1
Hungarian (models)	64Y5611	1
Czech (models)	64Y5612	1
Portuguese (models)	64Y5613	1
Russian English (models)	64Y5614	1
MUI Nordics (EN-DK-FI-NO-SV) (models)	71Y6401	1
MUI Switz (EN-FR-GR-IT) (models)	71Y6402	1
MUI Bel-Lux (EN-FR-GR-NL) (models)	71Y6403	1

<b>9353 Vista Home Basic 32 Recovery CDs</b>	<b>FRU#</b>	<b>CRU</b>
US English (models)	46R8053	1
French (models)	46R8057	1
German (models)	46R8060	1
Spanish (models)	46R8056	1
Brazilian (models)	46R8059	1
Italian (models)	46R8058	1
Japanese (models)	64Y6207	1
Dutch (models)	46R8070	1
Czech (models)	46R8074	1
Polish (models)	46R8065	1
Russian (models)	46R8064	1
Turkish (models)	46R8069	1
Hungarian (models)	46R8073	1
Greek (models)	46R8068	1
Portuguese (models)	46R8077	1
Hong Kong (models)	46R8061	1
Traditional Chinese (models)	46R8063	1
Korean (models)	46R8067	1
Slovenian (models)	46R8071	1
Russian English (models)	46R8078	1
Hebrew (models)	46R8066	1
Arabic Localized (models)	46R8062	1
Slovakian (models)	46R8075	1

<b>9353 Vista Home Basic 32 Recovery CDs</b>	<b>FRU#</b>	<b>CRU</b>
Simplified Chinese (models)	46R8055	1
Serbian-Latin (models)	46R8076	1
Romanian (models)	46R8072	1
Belgium-Luxembourg (models)	53Y4230	1
Switzerland (models)	53Y4231	1
Nordics (models)	53Y4232	1

<b>9353 Vista Business 32 Recovery CDs</b>	<b>FRU#</b>	<b>CRU</b>
US English (models)	46R8079	1
French (models)	46R8083	1
German (models)	46R8086	1
Spanish (models)	46R8082	1
Brazilian (models)	46R8085	1
Italian (models)	46R8084	1
Japanese (models)	64Y6205	1
English for Indian (models)	64Y9435	1
Dutch (models)	46R8096	1
Czech (models)	46R8100	1
Polish (models)	46R8091	1
Russian (models)	46R8090	1
Turkish (models)	46R8095	1
Hungarian (models)	46R8099	1
Greek (models)	46R8094	1
Portuguese (models)	46R8103	1
Simplified Chinese (models)	46R8081	1
Hong Kong (models)	46R8087	1
Traditional Chinese (models)	46R8089	1
Korean (models)	46R8093	1
Slovenian (models)	46R8097	1
Russian English (models)	46R8104	1
Romanian (models)	46R8098	1
Sebian-Latin (models)	46R8102	1
Hebrew (models)	46R8092	1
Arabic Localized (models)	46R8088	1
Slovakian (models)	46R8101	1
Belgium-Luxembourg (models)	53Y4233	1
Switzerland (models)	53Y4234	1
Nordics (models)	53Y4235	1

<b>9353 Vista Premium 32 Recovery CDs</b>	<b>FRU#</b>	<b>CRU</b>
US English (models)	46R8141	1
French (models)	46R8143	1
German (models)	46R8144	1
Spanish (models)	46R8145	1
Italian (models)	46R8146	1
Japanese (models)	64Y6208	1
Hong Kong (models)	46R8147	1
Korean (models)	46R8148	1
Athens Vista SP1 MUL 1 P/N's VHP32 (EN FR GR NL) (models)	53Y4236	1
Athens Vista SP1 MUL 2 P/N's VHP32 (EN FR GR IT) (models)	53Y4237	1
Athens Vista SP1 MUL 3P/N's VHP32 (EN DK FI NO SV) (models)	53Y4238	1

<b>9353 Vista Business 64 Recovery CDs</b>	<b>FRU#</b>	<b>CRU</b>
US English (models)	46R8131	1
French (models)	46R8134	1
German (models)	46R8135	1
Japanese (models)	64Y6210	1
Simplified Chinese (models)	46R8133	1

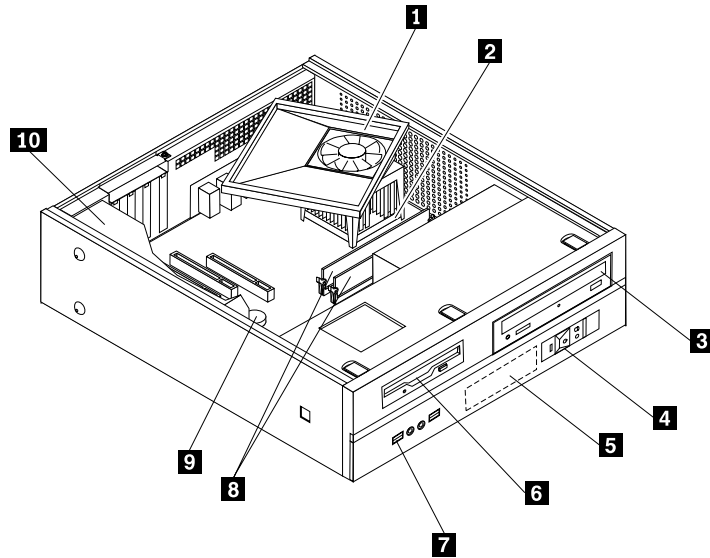
<b>9353 Vista Ultimate 32 Recovery CDs</b>	<b>FRU#</b>	<b>CRU</b>
US English (models)	46R8149	1
Japanese (models)	64Y6209	1
French (models)	46R8151	1
German (models)	46R8152	1
Spanish (models)	46R8153	1
Italian (models)	46R8154	1
Hong Kong (models)	46R8155	1
Arabic Localized (models)	46R8156	1
Athens Vista SP1 MUL 1 P/N VU32 (EN DK FI NO SV) (models)	53Y4239	1

<b>9353 Vista Starter 32 Recovery CDs</b>	<b>FRU#</b>	<b>CRU</b>
English (models)	46R8052	1

<b>9353 Vista Home Premium 64 Recovery CDs</b>	<b>FRU#</b>	<b>CRU</b>
US (models)	71Y6634	1
French (models)	71Y6635	1

<b>9353 Win7 Professional 32</b>	<b>FRU#</b>	<b>CRU</b>
Brazilian Portuguese (all models)	89Y0454	1

## Machine Type 9354



Item #	9354 FRUs	FRU#	CRU
1	AMD 89W&65W 4Pin heatsink (ROCKYS) (all models)	41R6407	2
2	Microprocessor, Athlon64 4800+ X2 (2.50GHz, 1M L2, 65W) G1 65nm (models)	43C4093	N
2	Microprocessor, Athlon64 5000+ X2 (2.60GHz, 1M L2, 65W) G1 65nm (models)	41X1427	N
2	Microprocessor, Athlon 1640B (2.70GHz, 512K L2, 45W) G2 65nm (models CTO)	45R6488	N
2	Microprocessor, Athlon64 5200+ AM2 X2 (2.7 GHz processor, 65W) stepping G1 65nm (models)	45C7502	N
2	Microprocessor, Athlon64 5400B X2(2.80GHz, 1M L2, 65W) G2 65nm (models CTO)	45R6486	N
2	Microprocessor, Athlon64 5600+ X2 (2.90GHz, 1M L2, 89W) G2 65nm (models)	45C7504	N
2	Microprocessor, Athlon X2 BE 2350 (2.1GHz processor, 45W, 1MB L2) steping G1 (models)	43C6166	N
2	Microprocessor, Athlon X2 BE 2400 (2.3GHz processor, 45W, 1MB L2) steping G1 (models)	43C6165	N
2	Microprocessor, Athlon 4450B X2 (2.30GHz, 1M L2, 45W) G2 65nm (models)	46R3624	N
2	Microprocessor, Athlon 5000B X2 (2.60GHz, 1M L2, 65W) G2 65nm (models CTO)	46R3625	N
2	Microprocessor, Athlon 5200B X2 (2.70GHz, 1M L2, 65W) G2 65nm (models CTO)	46R3626	N
2	Microprocessor, Athlon LE-1660 (2.8 GHz, 512K L2, 45W) G2 65nm (models)	53Y7722	N
2	Microprocessor, Athlon X2 5600B (2.9 GHz, 1M L2, 65W) G2 65nm (models)	53Y7718	N
2	Microprocessor, Athlon64 X2 6000+ (3.1 GHz, 1M L2, 89W) G2 65nm (models)	53Y7720	N
2	Microprocessor, Athlon II X2 240 (2.8GHz, 2M Total Cache, AM3, 65W) C2 45nm (models 91Z)	64Y8012	N
2	Microprocessor, Athlon II X2 245 (2.9GHz, 2M Total Cache, AM3, 65W) C2 45nm (models 91Z)	64Y8013	N
2	Microprocessor, Athlon II X3 435 (2.9GHz, 1.5M Total Cache, AM3, 95W) C2 45nm (models 91Z)	64Y8020	N

Item #	9354 FRUs	FRU#	CRU
2	Microprocessor, Phenom II X2 550 (3.1GHz, 7M Total Cache, AM3, 80W) C2 45nm (models 91Z)	64Y8024	N
2	Microprocessor, Phenom II X2 555 (3.2 GHz, 7M Total Cache, AM3, 80W) C3 45nm (models 91Z)	89Y0793	N
2	Microprocessor, Phenom II X3 720 (2.8GHz, 7.5M Total Cache, AM3, 95W) C2 45nm (models 91Z)	64Y8030	N
2	Microprocessor, Phenom II X4 910 (2.6GHz, 8M Total Cache, AM3, 95W) C2 45nm (models 91Z)	64Y8035	N
2	Microprocessor, Sempron LE-1250 (2.20GHz, 512K L2, 45W) G2 65nm (models)	43C6168	N
2	Microprocessor, Sempron LE-1300 (2.30GHz, 512K L2, 45W) G2 65nm (models)	43C8986	N
2	Microprocessor, Sempron 2100 X2 (1.80GHz, 512K L2, 65W) G2 65nm (models)	46R3629	N
2	Microprocessor, Sempron 2200 X2 (2.00GHz, 512K L2, 65W) G2 65nm (models)	46R3630	N
2	Microprocessor, Sempron X2 2300 (2.2GHz, 512K L2, 65W) G2 65nm (models)	53Y7724	N
2	Microprocessor, Sempron 140 (2.7GHz, 1M Total Cache, AM3, 45W) C2 45nm (models 91Z)	71Y6414	N
2	Microprocessor, Phenom 8600B (2.30GHz, 1.5M L2, 2M L3, 95W) stepping B2 65nm (models)	45R6494	N
2	Microprocessor, Phenom 9550 (2.20GHz, 2M L2, 2M L3, 95W) stepping B3 65nm (models)	45R6496	N
2	Microprocessor, Phenom 9650 (2.30GHz, 2M L2, 2M L3, 95W) stepping B3 65nm (models)	45R6498	N
2	Microprocessor, Phenom 9600B (2.30GHz, 2M L2, 2M L3, 95W) stepping B2 65nm (models)	45R6500	N
2	Microprocessor, Phenom 8450 (2.10GHz, 1.5M L2, 2M L3, 95W) B3 65nm (models CTO)	45R6490	N
2	Microprocessor, Phenom X3 8600B (2.3GHz, 1.5M L2, 2M L3, 95W) B3 65nm (models)	45R6494	N
2	Microprocessor, Phenom 9550 (2.20GHz, 2M L2, 2M L3, 95W) stepping B3 65nm (models)	53Y7709	N
2	Microprocessor, Phenom X4 9750B (2.4 GHz, 512K / 2M L2, 95W) B3 65nm (models)	53Y7711	N
3	DVD-ROM Drive - 16x/48x - SATA Vista & non-Vista (models)	41N3325	2
3	DVD-ROM Drive - 16x/48x - With DVD playback software (models)	71Y5543	2
3	DVD Recordable/CD-RW Rambo 8 - SATA Vista & non-Vista (models)	43C1042	2
3	DVD-RW/CD-RW Rambo 8 - With write software (models)	71Y5545	2
4	Front Power/LED PC, bracket, and cable (all models)	41N8213	2
5	Hard disk drive, 80GB, 7200RPM, SATA (models)	40Y9034	2
5	Hard disk drive, 160GB, 7200RPM, SATA (models)	40Y9035	2
5	Hard disk drive, SATA 160GB 7200RPM/3Gb/8MB (models)	53Y6837	2
5	Hard disk drive, SATA 250GB 7200RPM/3Gb/8MB (models)	45K0408	2
5	Hard disk drive, SATA 320GB 7200rpm SATA/8MB (models)	45K0409	2
5	Hard disk drive, SATA 500GB 7200RPM/3Gb/s/8MB (models)	45K0410	2
5	Hard disk drive, 250GB, 7200RPM, SATA (models)	40Y9036	2
5	Hard disk drive, 320GB 7200rpm SATA/8MB (models)	87H4891	2

Item #	9354 FRUs	FRU#	CRU
5	Hard disk drive, SATA 500GB 7200RPM/3Gb/s/8MB (models)	41X5582	2
6	Diskette drive, 3.5" 1.44MB 2 Mode FDD with Bezel and cable (models)	40Y9105	2
6	Diskette drive, 3.5" 1.44MB 2 Mode FDD with Bezel and cable (models)	40Y9107	2
7	Front USB/Audio with bracket (all models)	41N8212	2
8	Memory module, 512 MB PC2-5300 (667MHz) DDR2 SDRAM (models)	41X4255	2
8	Memory module, 512MB PC2-6400 (800MHz) DDR2 SDRAM (models)	41X1079	2
8	Memory module, 1GB PC2-6400 (667MHz) DDR2 SDRAM (models)	41X1080	2
8	Memory module, 2GB PC2-6400 (667MHz) DDR2 SDRAM (models)	41X1081	2
9	System board, Planar AMD RS780 mATX (TOWER & ROCKYS) (models)	71Y5724	N
9	System board, Planar AMD RS780 mATX GA Level - TPM Disable for Russia (models)	71Y4994	N
9	System board, Planar AMD RS780 mATX GA Level - Support Phenom II X2 555 (models 91Z)	89Y1346	N
9	System board, Planar AMD RS780 mATX GA Level -Support Win7 and AM3 C2 CPU (models 91Z)	89Y1809	N
10	Power Supply, ATX 280 Watt world wide (models)	41A9684	2
10	Power Supply, ATX 280 Watt 80% world wide and Japan (models)	41A9665	2
10	Power Supply, ATX 310 Watt world wide and Japan (models)	41A9726	2
10	Power Supply, 220 Watt world wide (models)	41A9689	N
10	Power Supply, 220 Watt only for Japan (models)	41A9697	N
10	Power Supply, 220 Watt 80% world wide and Japan (models)	41A9670	N
10	Power Supply, 280 Watt TFX Active PFC, world wide and Japan (models)	41A9705	N

The FRUs listed in the following tables are not illustrated.

9354 FRUs	FRU#	CRU
Fru rear IO shield ATX,for RX 780,Atlantic (all models)	41R6383	N
FDD Cable (all models)	41A7147	2
Cabel-SATA 250mm (RoHS) (all models)	43N9012	2
EMC Shield, Blank 5.25 (all models)	41N8271	2
EMC Shield, Blank FDD (all models)	41N8273	2
Cover, Rocky S3 (all models)	41N8204	2
Mechanical shell kit Rocky S4 (all models)	43N9374	N
Bezel kit, Rocky S3 without IBM logo (all models)	41R6238	2
Misc Hardware Kit (all models)	41N8209	2
HDD Bracket Asm (plastic and grommets) (all models)	41N8210	2
HDD Fan and bracket asm (all models)	41R6325	2
Speaker Cable Asm, 600 mm cable length (all models)	41N8217	2
Rear Com2 cable II LP (all models)	42Y8008	2
Rear USB 2Ports II LP (all models)	42Y8006	2

<b>9354 FRUs</b>	<b>FRU#</b>	<b>CRU</b>
Foot stand ASM for ACE rocky S3 (all models)	41R4813	1
Instruction switch Asm (all models)	41R6208	2
RM Asm, AMD (all models)	41R2507	N
Temp Sense Cable (165 mm) (all models)	43N9079	2
Fru-Cable, MINI,COM2 CABLE(ROHS) (all models)	41R6198	2

<b>9354 Keyboards (Lenovo Preferred Pro USB -- without hub)</b>	<b>FRU#</b>	<b>CRU Tier</b>
USB FULL--US English (models)	41A5289	1
USB FULL--Arabic (models)	41A5290	1
USB FULL--Arabic/French (models)	41A5291	1
USB FULL--Belgian/French (models)	41A5292	1
USB FULL--Belgium English (models)	41A5293	1
USB FULL--Brazilian Portuguese (models)	41A5294	1
USB FULL--Bulgarian (models)	41A5295	1
USB FULL--Chinese/US (models)	41A5296	1
USB FULL--Czech (ABB) (models)	41A5297	1
USB FULL--Danish (models)	41A5298	1
USB FULL--Dutch (models)	41A5299	1
USB FULL--French (models)	41A5300	1
USB FULL--French Canadian (models)	41A5301	1
USB FULL--French Canadian (models)	41A5302	1
USB FULL--German (models)	41A5303	1
USB FULL--Greek (models)	41A5304	1
USB FULL--Greek/US (models)	41A5305	1
USB FULL--Hebrew (models)	41A5306	1
USB FULL--Hungarian (models)	41A5307	1
USB FULL--Iceland (models)	41A5308	1
USB FULL--Italy (models)	41A5309	1
USB FULL--Japanese (models)	41A5310	1
USB FULL--Korean (models)	41A5311	1
USB FULL--LA Spanish (models)	41A5312	1
USB FULL--Norwegian (models)	41A5313	1
USB FULL--Polish (models)	41A5314	1
USB FULL--Portuguese (models)	41A5315	1
USB FULL--Romanian (models)	41A5317	1
USB FULL--Russian/Cyrillic (models)	41A5318	1
USB FULL--Serbian/Cyrillic (models)	41A5319	1
USB FULL--Slovak (models)	41A5320	1



<b>9354 Keyboards (Lenovo Preferred Pro USB -- without hub)</b>	<b>FRU#</b>	<b>CRU Tier</b>
USB FULL--Spanish (models)	41A5321	1
USB FULL--Swedish/Finnish (models)	41A5322	1
USB FULL--Swiss F/G (models)	41A5323	1
USB FULL--Thailand (models)	41A5324	1
USB FULL--Turkish (models)	41A5325	1
USB FULL--Turkish (models)	41A5326	1
USB FULL--UK English (models)	41A5327	1
USB FULL--US Euro (models)	41A5328	1
USB FULL--Slovenian (models)	41A5329	1

<b>9354 Keyboards (Lenovo Fingerprint Reader USB)</b>	<b>FRU#</b>	<b>CRU Tier</b>
US English (models)	41R0038	1
Arabic (models)	41R0039	1
Arabic/French (models)	41R0040	1
Belgian/French (models)	41R0041	1
Belgium English (models)	41R0042	1
Brazilian Portuguese (models)	41R0043	1
Bulgarian (models)	41R0044	1
Chinese/US (models)	41R0045	1
Czech (ABB) (models)	41R0046	1
Danish (models)	41R0047	1
Dutch (models)	41R0048	1
French (models)	41R0049	1
French Canadian (models)	41R0050	1
French Canadian (models)	41R0051	1
German (models)	41R0052	1
Greek (models)	41R0053	1
Greek/US (models)	41R0054	1
Hebrew (models)	41R0055	1
Hungarian (models)	41R0056	1
Iceland (models)	41R0057	1
Italy (models)	41R0058	1
Japanese (models)	41R0059	1
Korean (models)	41R0060	1
LA Spanish (models)	41R0061	1
Norwegian (models)	41R0062	1
Polish (models)	41R0063	1
Portuguese (models)	41R0064	1

<b>9354 Keyboards (Lenovo Fingerprint Reader USB)</b>	<b>FRU#</b>	<b>CRU Tier</b>
Romanian (models)	41R0065	1
Romanian (models)	41R0066	1
Russian/Cyrillic (models)	41R0067	1
Serbian/Cyrillic (models)	41R0068	1
Slovak (models)	41R0069	1
Spanish (models)	41R0070	1
Swedish/Finnish (models)	41R0071	1
Swiss F/G (models)	41R0072	1
Thailand (models)	41R0073	1
Turkish (models)	41R0074	1
Turkish (models)	41R0075	1
UK English (models)	41R0076	1
US Euro (models)	41R0077	1
Slovenian (models)	41R0078	1

<b>9354 Keyboards (Lenovo Preferred Pro PS/2 Full Size)</b>	<b>FRU#</b>	<b>CRU Tier</b>
PS/2 Full--US English (models)	41A5039	1
PS/2 Full--Arabic (models)	41A5040	1
PS/2 Full--Arabic/French (models)	41A5041	1
PS/2 Full--Belgian/French (models)	41A5042	1
PS/2 Full--Belgium English (models)	41A5043	1
PS/2 Full--Brazilian Portuguese (models)	41A5044	1
PS/2 Full--Bulgarian (models)	41A5045	1
PS/2 Full--Chinese/US (models)	41A5046	1
PS/2 Full--Czech (ABB) (models)	41A5047	1
PS/2 Full--Danish (models)	41A5048	1
PS/2 Full--Dutch (models)	41A5049	1
PS/2 Full--French (models)	41A5050	1
PS/2 Full--French Canadian (models)	41A5051	1
PS/2 Full--French Canadian (models)	41A5052	1
PS/2 Full--German (models)	41A5053	1
PS/2 Full--Greek (models)	41A5054	1
PS/2 Full--Greek/US (models)	41A5080	1
PS/2 Full--Hebrew (models)	41A5055	1
PS/2 Full--Hungarian (models)	41A5056	1
PS/2 Full--Iceland (models)	41A5057	1
PS/2 Full--Italy (models)	41A5058	1
PS/2 Full--Japanese (models)	41A5059	1

<b>9354 Keyboards (Lenovo Preferred Pro PS/2 Full Size)</b>	<b>FRU#</b>	<b>CRU Tier</b>
PS/2 Full--Korean (models)	41A5060	1
PS/2 Full--LA Spanish (models)	41A5061	1
PS/2 Full--Norwegian (models)	41A5062	1
PS/2 Full--Polish (models)	41A5063	1
PS/2 Full--Portuguese (models)	41A5064	1
PS/2 Full--Romanian (models)	41A5065	1
PS/2 Full--Russian/Cyrillic (models)	41A5066	1
PS/2 Full--Serbian/Cyrillic (models)	41A5067	1
PS/2 Full--Slovak (models)	41A5068	1
PS/2 Full--Spanish (models)	41A5069	1
PS/2 Full--Swedish/Finnish (models)	41A5070	1
PS/2 Full--Swiss F/G (models)	41A5071	1
PS/2 Full--Thailand (models)	41A5072	1
PS/2 Full--Turkish (models)	41A5073	1
PS/2 Full--Turkish (models)	41A5074	1
PS/2 Full--UK English (models)	41A5075	1
PS/2 Full--US Euro (models)	41A5076	1
PS/2 Full--Slovenian (models)	41A5077	1

<b>9354 mice</b>	<b>FRU#</b>	<b>CRU</b>
Optical Wheel Mouse OPT (400DPI, USB) (models)	41U3013	1
Optical Wheel Mouse OPT (400DPI, USB) (models)	41U3030	1
PS/2 Three Button ball mouse scrollpoint (41R0017) (models)	41R0018	1

<b>9354 Adapters and miscellaneous FRUs</b>	<b>FRU#</b>	<b>CRU</b>
Internal USB Memory Card Reader floppy bay (models)	41R3378	2
Internal 20 in 1 USB Memory Card Reader (models CTO)	45R8139	1
NVIDIA GeForce 9300 GE 256M Low Profile (1*DVI) (Rockey) (models CTO)	53Y5823	2
ATI HD 2600XT 512MB 128BIT ATX (models)	43C0261	2
IEEE 1394 Firewire Adapter SFF (models)	41D2781	2
IEEE 1394 Firewire Adapter ATX (models)	41D2781	2
Soft Modem V.90/V.44 SFF (models)	29R9729	2
Soft Modem V.90/V.44 ATX (models)	29R9729	2
ATI HD 2400PRO 128MB 64BIT DMS59 LP (models)	43C0259	2
ATI HD 2400PRO 128MB 64BIT DMS59 ATX (models)	43C0259	2
ATI HD 2400XT 256MB 64BIT DMS59 LP Secondary (models)	64Y3997	2
Speaker Power brick - US, Canada, LA low voltage, ASEAN (models)	89P8571	1
Speaker Power brick - LA high voltage (non-APU) (models)	89P8575	1

<b>9354 Adapters and miscellaneous FRUs</b>	<b>FRU#</b>	<b>CRU</b>
Speaker Power brick - SIMPLIFIED -CHN, Thailand EMEA(models)	89P8581	1
Speaker Power brick - Japan (models)	89P8577	1
Speaker Power brick - Brazil (models)	89P8583	1
Speaker Power brick - Argentina (models)	41A4901	1
Speaker Power brick - ANZ (models)	89P8579	1
Speaker Power brick - Korean (models)	41A4903	1
Speaker Power brick - Hong Kong, EMEA (models)	89P8573	1
Speaker Power brick -TAIWAN-TC (models)	41A4905	1
Speaker Power brick - India, South Africa (models)	89P8585	1
Dongle DMS Dule DMS-59 to dual VGA Cable (models)	42Y8181	2
Dongle DMS Dule DMS-59 to dual DVI Cable (models)	41X6398	2
Dongle DMS Dule DMS-59 to single VGA & single DVI Cable (models)	42Y8183	2
2-pc external speaker--primary (models)	41A5331	1
2-pc external speaker-secondary (models)	41A5334	1
Battery 3V- Lithium (models)	45C1566	1
DVI-I(M)-VGA(F) cord (models CTO)	41R3342	2
HD 3470 256M 64bit DP ATX/LP (models)	64Y4498	2
DP to DVI dongle (models)	43N9160	2
Bitland 88E8075 1000M PCIE DASH NIC FH (R)(Rocky) (models)	53Y4008	2
AMD Display Port card LP® (Rocky) (models)	53Y4002	1

<b>9354 Power Cords</b>	<b>FRU#</b>	<b>CRU</b>
Power cord - US (models)	41R3184	1
Power cord - US (models)	41R3185	1
Power cord - China (models)	41R3256	1
Power cord - China (models)	41R3257	1
Power cord - Japanese and Japanese English (models)	41R3248	1
Power cord - Japanese and Japanese English (models)	41R3249	1
Power cord - Brazil (Portigese) (models)	41R3270	1
Power cord - Brazil (Portigese) (models)	41R3271	1
Power cord - LA High Volt (APU) (models)	41R3176	1
Power cord - LA High Volt (APU) (models)	41R3177	1
Power cord - ANZ (models)	41R3196	1
Power cord - ANZ (models)	41R3197	1
Power cord - Korea (models)	41R3260	1
Power cord - Korea (models)	41R3261	1
Power cord - UK, Ireland, Singapore, Malaysia, Brunei, Hongkong (models)	41R3224	1
Power cord - UK, Ireland, Singapore, Malaysia, Brunei, Hongkong (models)	41R3225	1
Power cord - Taiwan (models)	41R3278	1

<b>9354 Power Cords</b>	<b>FRU#</b>	<b>CRU</b>
Power cord - Taiwan (models)	41R3279	1
Power cord - Italy (models)	41R3232	1
Power cord - Italy (models)	41R3233	1
Power cord - Indonesia, Laos, Cambodia, Vietnam, Austria, Belgium, Croatia, Czechoslovakia, Finland, France, Germany, Hungary, Netherlands, Norway, Poland, Portugal, Romania, Spain, Sweden (models)	41R3208	1
Power cord - Indonesia, Laos, Cambodia, Vietnam, Austria, Belgium, Croatia, Czechoslovakia, Finland, France, Germany, Hungary, Netherlands, Norway, Poland, Portugal, Romania, Spain, Sweden (models)	41R3209	1
Power cord - Denmark (models)	41R3212	1
Power cord - Denmark (models)	41R3213	1
Power cord - Switzerland (models)	41R3228	1
Power cord - Switzerland (models)	41R3229	1
Power cord - Israel (models)	41R3236	1
Power cord - Israel (models)	41R3237	1
Power cord - South Africa (models)	41R3220	1
Power cord - South Africa (models)	41R3221	1
Power cord - India (models)	41R3341	1
Power cord - India (models)	41R3175	1
Power cord - Thailand (models)	43N9029	1
Power cord - Thailand (models)	43N9030	1
Power cord - Brazil (models)	43N9044	1

<b>9354 Windows XP Home Recovery CDs</b>	<b>FRU#</b>	<b>CRU</b>
US English/UK/Asia Pacific (models)	TBD	1
French/French Canadian (models)	TBD	1
Greek (models)	TBD	1
Italy (models)	TBD	1
Brazilian (models)	TBD	1
Spanish/LA (models)	TBD	1
Danish (models)	TBD	1
Dutch (models)	TBD	1
Arabic (models)	TBD	1
SV (Swedish) (models)	TBD	1
Hebrew (models)	TBD	1
Finnish (models)	TBD	1
Norwegian (models)	TBD	1
Polish (models)	TBD	1
Portugese (models)	TBD	1
Russian (models)	TBD	1

<b>9354 Windows XP Home Recovery CDs</b>	<b>FRU#</b>	<b>CRU</b>
Russian English (models)	TBD	1
Hungarian (models)	TBD	1
Czech (models)	TBD	1
Turkish native (models)	TBD	1
Greek (models)	TBD	1
Japanese (models)	TBD	1
Simplified Chinese (models)	TBD	1
Taiwan-TC (models)	TBD	1
Hong Kong-TC (models)	TBD	1
Korean (models)	TBD	1

<b>9354 Windows XP Pro Recovery CDs</b>	<b>FRU#</b>	<b>CRU</b>
English (models)	64Y5588	1
Japanese (models)	64Y6202	1
Simplified Chinese (models)	64Y5590	1
Spanish (models)	64Y5591	1
French (models)	64Y5592	1
Italian (models)	64Y5593	1
Brazilian Portuguese (models)	64Y5594	1
German (models)	64Y5595	1
Hong Kong (models)	64Y5596	1
Swedish (models)	64Y5597	1
Danish (models)	64Y5598	1
Norway (models)	64Y5599	1
Finland (models)	64Y5600	1
Arabic (models)	64Y5601	1
Traditional Chinese (models)	64Y5602	1
Russian (models)	64Y5603	1
Polish (models)	64Y5604	1
Hebrew (models)	64Y5605	1
Korea (models)	64Y5606	1
Greek (models)	64Y5607	1
Turkish (models)	64Y5608	1
Dutch (models)	64Y5609	1
Slovenian (models)	64Y5610	1
Hungarian (models)	64Y5611	1
Czech (models)	64Y5612	1
Portuguese (models)	64Y5613	1
Russian English (models)	64Y5614	1

<b>9354 Windows XP Pro Recovery CDs</b>	<b>FRU#</b>	<b>CRU</b>
MUI Nordics (EN-DK-FI-NO-SV) (models)	71Y6401	1
MUI Switz (EN-FR-GR-IT) (models)	71Y6402	1
MUI Bel-Lux (EN-FR-GR-NL) (models)	71Y6403	1

<b>9354 Vista Home Basic 32 Recovery CDs</b>	<b>FRU#</b>	<b>CRU</b>
US English (models)	46R8053	1
French (models)	46R8057	1
German (models)	46R8060	1
Spanish (models)	46R8056	1
Brazilian (models)	46R8059	1
Italian (models)	46R8058	1
Japanese (models)	64Y6207	1
Dutch (models)	46R8070	1
Czech (models)	46R8074	1
Polish (models)	46R8065	1
Russian (models)	46R8064	1
Turkish (models)	46R8069	1
Hungarian (models)	46R8073	1
Greek (models)	46R8068	1
Portuguese (models)	46R8077	1
Hong Kong (models)	46R8061	1
Traditional Chinese (models)	46R8063	1
Korean (models)	46R8067	1
Slovenian (models)	46R8071	1
Russian English (models)	46R8078	1
Hebrew (models)	46R8066	1
Arabic Localized (models)	46R8062	1
Slovakian (models)	46R8075	1
Simplified Chinese (models)	46R8055	1
Serbian-Latin (models)	46R8076	1
Romanian (models)	46R8072	1
Belgium-Luxembourg (models)	53Y4230	1
Switzerland (models)	53Y4231	1
Nordics (models)	53Y4232	1

<b>9354 Vista Business 32 Recovery CDs</b>	<b>FRU#</b>	<b>CRU</b>
US English (models)	46R8079	1
French (models)	46R8083	1
German (models)	46R8086	1

<b>9354 Vista Business 32 Recovery CDs</b>	<b>FRU#</b>	<b>CRU</b>
Spanish (models)	46R8082	1
Brazilian (models)	46R8085	1
Italian (models)	46R8084	1
Japanese (models)	64Y6205	1
English for Indian (models)	64Y9435	1
Dutch (models)	46R8096	1
Czech (models)	46R8100	1
Polish (models)	46R8091	1
Russian (models)	46R8090	1
Turkish (models)	46R8095	1
Hungarian (models)	46R8099	1
Greek (models)	46R8094	1
Portuguese (models)	46R8103	1
Simplified Chinese (models)	46R8081	1
Hong Kong (models)	46R8087	1
Traditional Chinese (models)	46R8089	1
Korean (models)	46R8093	1
Slovenian (models)	46R8097	1
Russian English (models)	46R8104	1
Romanian (models)	46R8098	1
Sebian-Latin (models)	46R8102	1
Hebrew (models)	46R8092	1
Arabic Localized (models)	46R8088	1
Slovakian (models)	46R8101	1
Belgium-Luxembourg (models CTO)	53Y4233	1
Switzerland (models CTO)	53Y4234	1
Nordics (models CTO)	53Y4235	1

<b>9354 Vista Premium 32 Recovery CDs</b>	<b>FRU#</b>	<b>CRU</b>
US English (models)	46R8141	1
French (models)	46R8143	1
German (models)	46R8144	1
Spanish (models)	46R8145	1
Italian (models)	46R8146	1
Japanese (models)	64Y6208	1
Hong Kong (models)	46R8147	1
Korean (models)	46R8148	1
Athens Vista SP1 MUL 1 P/N's VHP32 (EN FR GR NL) (models)	53Y4236	1



<b>9354 Vista Premium 32 Recovery CDs</b>	<b>FRU#</b>	<b>CRU</b>
Athens Vista SP1 MUL 2 P/N's VHP32 (EN FR GR IT) (models)	53Y4237	1
Athens Vista SP1 MUL 3P/N's VHP32 (EN DK FI NO SV) (models)	53Y4238	1

<b>9354 Vista Business 64 Recovery CDs</b>	<b>FRU#</b>	<b>CRU</b>
US English (models)	46R8131	1
French (models)	46R8134	1
German (models)	46R8135	1
Japanese (models)	64Y6210	1
Simplified Chinese (models)	46R8133	1

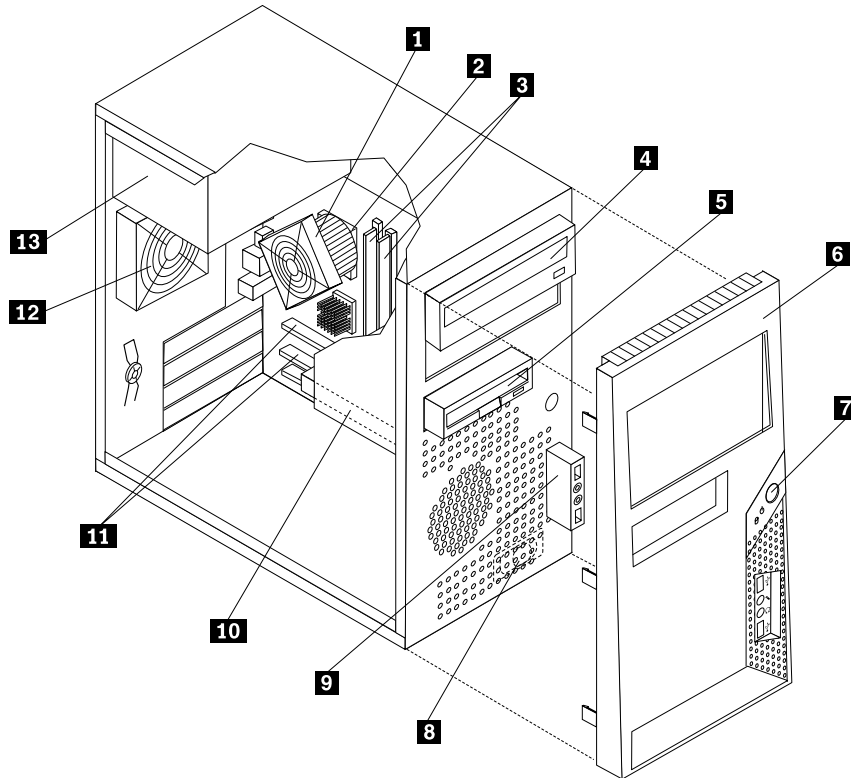
<b>9354 Vista Ultimate 32 Recovery CDs</b>	<b>FRU#</b>	<b>CRU</b>
US English (models)	46R8149	1
Japanese (models)	64Y6209	1
French (models)	46R8151	1
German (models)	46R8152	1
Spanish (models)	46R8153	1
Italian (models)	46R8154	1
Hong Kong (models)	46R8155	1
Arabic Localized (models)	46R8156	1
Athens Vista SP1 MUL 1 P/N's VU32 (EN DK FI NO SV) (models)	53Y4239	1

<b>9354 Vista Starter 32 Recovery CDs</b>	<b>FRU#</b>	<b>CRU</b>
English (models)	46R8052	1

<b>9354 Vista Home Premium 64 Recovery CDs</b>	<b>FRU#</b>	<b>CRU</b>
US (models CTO)	71Y6634	1
French (models CTO)	71Y6635	1

<b>9354 Win7 Professional 32</b>	<b>FRU#</b>	<b>CRU</b>
Brazilian Portuguese (all models)	89Y0454	1

## Machine Type 9421



Item #	9421 FRUs	FRU#	CRU
1	AMD 89W&65W 4Pin heatsink (all models)	41R6407	2
2	Microprocessor, Athlon64 4800+ X2 (2.50GHz, 1M L2, 65W) G1 65nm (models)	43C4093	N
2	Microprocessor, Athlon64 5000+ X2 (2.60GHz, 1M L2, 65W) G1 65nm (models A1Q A2Q)	41X1427	N
2	Microprocessor, Athlon 1640B (2.70GHz, 512K L2, 45W) G2 65nm (models)	45R6488	N
2	Microprocessor, Athlon64 5200+ X2 (2.70GHz, 1M L2, 65W) G1 65nm (models)	45C7502	N
2	Microprocessor, Athlon64 5400B X2(2.80GHz, 1M L2, 65W) G2 65nm (models)	45R6486	N
2	Microprocessor, Athlon64 5600+ X2 (2.90GHz, 1M L2, 89W) G2 65nm (models)	45C7504	N
2	Microprocessor, Athlon BE-2350 X2 (2.10GHz, 1M L2, 45W) G2 65nm (models)	43C6166	N
2	Microprocessor, Athlon BE-2400 X2 (2.30GHz, 1M L2, 45W) G2 65nm (models)	43C6165	N
2	Microprocessor, Athlon 4450B X2 (2.30GHz, 1M L2, 45W) G2 65nm (models A4Q A5Q A6Q)	46R3624	N
2	Microprocessor, Athlon 5000B X2 (2.60GHz, 1M L2, 65W) G2 65nm (models A3Q A1Q A2Q)	46R3625	N
2	Microprocessor, Athlon 5200B X2 (2.70GHz, 1M L2, 65W) G2 65nm (models)	46R3626	N
2	Microprocessor, Athlon LE-1660 (2.8 GHz, 512K L2, 45W) G2 65nm (models CTO)	53Y7722	N
2	Microprocessor, Athlon X2 5600B (2.9 GHz, 1M L2, 65W) G2 65nm (models CTO)	53Y7718	N
2	Microprocessor, Athlon64 X2 6000+ (3.1 GHz, 1M L2, 89W) G2 65nm (models CTO)	53Y7720	N
2	Microprocessor, Sempron LE-1250 (2.20GHz, 512K L2, 45W) G2 65nm (models)	43C6168	N

Item #	9421 FRUs	FRU#	CRU
2	Microprocessor, Sempron LE-1300 (2.30GHz, 512K L2, 45W) G2 65nm (models)	43C8986	N
2	Microprocessor, Sempron 2100 X2 (1.80GHz, 512K L2, 65W) G2 65nm (models)	46R3629	N
2	Microprocessor, Sempron 2200 X2 (2.00GHz, 512K L2, 65W) G2 65nm (models)	46R3630	N
2	Microprocessor, Sempron X2 2300 (2.2GHz, 512K L2, 65W) G2 65nm (models CTO)	53Y7724	N
2	Microprocessor, Sempron 140 (2.7GHz, 1M Total Cache, AM3, 45W) C2 45nm (models 91Z)	71Y6414	N
2	Microprocessor, Phenom 8600B (2.30GHz, 1.5M L2, 2M L3, 95W) stepping B2 65nm (models)	45R6494	N
2	Microprocessor, Phenom 9550 (2.20GHz, 2M L2, 2M L3, 95W) stepping B3 65nm (models)	45R6496	N
2	Microprocessor, Athlon II X2 240 (2.8GHz, 2M Total Cache, AM3, 65W) C2 45nm (models 91Z)	64Y8012	N
2	Microprocessor, Athlon II X2 245 (2.9GHz, 2M Total Cache, AM3, 65W) C2 45nm (models 91Z)	64Y8013	N
2	Microprocessor, Athlon II X3 435 (2.9GHz, 1.5M Total Cache, AM3, 95W) C2 45nm (models 91Z)	64Y8020	N
2	Microprocessor, Phenom II X2 550 (3.1GHz, 7M Total Cache, AM3, 80W) C2 45nm (models 91Z)	64Y8024	N
2	Microprocessor, Phenom II X2 555 (3.2 GHz, 7M Total Cache, AM3, 80W) C3 45nm (models 91Z)	89Y0793	N
2	Microprocessor, Phenom II X3 720 (2.8GHz, 7.5M Total Cache, AM3, 95W) C2 45nm (models 91Z)	64Y8030	N
2	Microprocessor, Phenom II X4 910 (2.6GHz, 8M Total Cache, AM3, 95W) C2 45nm (models 91Z)	64Y8035	N
2	Microprocessor, Phenom 9650 (2.30GHz, 2M L2, 2M L3, 95W) stepping B3 65nm (models)	45R6498	N
2	Microprocessor, Phenom 9600B (2.30GHz, 2M L2, 2M L3, 95W) stepping B2 65nm (models)	45R6500	N
2	Microprocessor, Phenom 8450 (2.10GHz, 1.5M L2, 2M L3, 95W) B3 65nm (models)	45R6490	N
2	Microprocessor, Phenom X3 8600B (2.3GHz, 1.5M L2, 2M L3, 95W) B3 65nm (models)	45R6494	N
2	Microprocessor, Phenom 9550 (2.20GHz, 2M L2, 2M L3, 95W) stepping B3 65nm (models CTO)	53Y7709	N
2	Microprocessor, Phenom X4 9750B (2.4 GHz, 512K / 2M L2, 95W) B3 65nm (models CTO)	53Y7711	N
3	Memory module, 512MB PC2-5300 (667MHz) DDR2 SDRAM (models)	41X4255	2
3	Memory module, 512MB PC2-6400 (800MHz) DDR2 SDRAM (models)	41X1079	2
3	Memory module, 1GB PC2-6400 (667MHz) DDR2 SDRAM (models A3Q A4Q A5Q A6Q)	41X1080	2
3	Memory module, 2GB PC2-6400 (667MHz) DDR2 SDRAM (models)	41X1081	2
4	DVD-ROM Drive - 16x/48x - SATA Vista & non-Vista (models)	41N3325	2
4	DVD-ROM Drive - 16x/48x - With DVD playback software (models)	71Y5543	2
4	DVD Recordable/CD-RW Rambo 8 - SATA Vista & non-Vista (models A3Q A1Q A2Q A5Q A6Q)	43C1042	2
4	DVD-RW/CD-RW Rambo 8 - With write software (models A3Q A1Q A2Q A5Q A6Q)	71Y5545	2

Item #	9421 FRUs	FRU#	CRU
5	Diskette drive, 3.5" 1.44MB 2 Mode FDD with Bezel and cable (models)	40Y9105	2
5	Diskette drive, 3.5" 1.44MB 2 Mode FDD with Bezel and cable (models)	40Y9107	2
6	Bezel assembly, without IBM mark (all models)	41R6243	2
7	Power switch/LED assembly (all models)	41N5284	2
8	Speaker assembly, soldered terminals (all models)	39P5023	2
9	Front audio/USB assembly (all models)	41N8054	2
10	Hard disk drive, SATA 80GB 7200RPM/3Gb/8MB (models)	40Y9034	2
10	Hard disk drive, SATA 160GB 7200RPM/3Gb/8MB (models A3Q A1Q A2Q A4Q A5Q)	40Y9035	2
10	Hard disk drive, SATA 160GB 7200RPM/3Gb/8MB (models A3Q A1Q A2Q A4Q A5Q)	53Y6837	2
10	Hard disk drive, SATA 250GB 7200RPM/3Gb/8MB (models A6Q)	45K0408	2
10	Hard disk drive, SATA 320GB 7200rpm SATA/8MB (models)	45K0409	2
10	Hard disk drive, SATA 500GB 7200RPM/3Gb/s/8MB (models)	45K0410	2
10	Hard disk drive, SATA 250GB 7200RPM/3Gb/8MB (models A6Q)	40Y9036	2
10	Hard disk drive, SATA 320GB 7200rpm SATA/8MB (models)	87H4891	2
10	Hard disk drive, SATA 500GB 7200RPM/3Gb/s/8MB (models)	41X5582	2
11	System board, Planar AMD RS780 mATX (TOWER & ROCKYS) (models A3Q A1Q A2Q A4Q A5Q A6Q)	71Y5724	N
11	System board, Planar AMD RS780 mATX GA Level - TPM Disable for Russia (models)	71Y4994	N
11	System board, Planar AMD RS780 mATX GA Level - Support Phenom II X2 555 (models 91Z)	89Y1346	N
11	System board, Planar AMD RS780 mATX GA Level -Support Win7 and AM3 C2 CPU (models 91Z)	89Y1809	N
12	System fan, rear (all models)	41R6269	2
12	System fan, rear (all models)	43N9908	2
13	Power supply, ATX 280W (Robust, WW) (models A3Q A1Q A2Q A4Q A5Q A6Q)	41A9684	2
13	Power supply, ATX 280W 80% (Robust, WW, JP) (models A3Q A1Q A2Q A4Q A5Q A6Q)	41A9665	2
13	Power supply, ATX 310W (Robust, WW, JP) (models A3Q A1Q A2Q A4Q A5Q A6Q)	41A9726	2
13	Power supply, 220W (Robust, WW) (models A3Q A1Q A2Q A4Q A5Q A6Q)	41A9689	N
13	Power supply, 220W only for JP (models)	41A9697	N
13	Power supply, 220W 80% (Robust, WW, JP) (models A3Q A1Q A2Q A4Q A5Q A6Q)	41A9670	N
13	Power supply, 280W TFX ,Active PFC, (Robust, WW, JP) (models A3Q A1Q A2Q A4Q A5Q A6Q)	41A9705	N

The FRUs listed in the following tables are not illustrated.

9421 FRUs	FRU#	CRU
Cover (all models)	41N8050	2
Retainer, Card Reader (all models)	41R2913	2
Front Fan AVC (all models)	41R4791	2
HDD Tray (all models)	41R6291	2

<b>9421 FRUs</b>	<b>FRU#</b>	<b>CRU</b>
FDD cable, 325mm, (all models)	41A7182	2
Cabel -SATA 457mm (RoHS) (all models)	43N9013	2
Cabel-SATA 250mm (RoHS) (all models)	43N9012	2
Optional HDD Bracket Asm (all models)	41R6106	2
EMC Shield (all models)	41N8080	2
EMC Shield (all models)	41N8078	2
Rear IO shield ATX,for RX 780,Atlantic (all models)	41R6383	N
Intrusion Switch Asm (all models)	41R6116	2
Temp Sense cable for Armstrong (460 mm) (all models)	41R2509	2
Blank 5.25" Bezel (all models)	41N8077	2
Asm Chassis Without IBM Mark Atlantic (all models)	41R6408	5
ODD/FDD/Cardreader Retainers (all models)	43N9351	2
AMD thermal KIT (all models)	41R6407	2
Cable Clip, FW-6D (all models)	43N9462	2

<b>9421 Keyboards (Lenovo Preferred Pro USB -- without hub)</b>	<b>FRU#</b>	<b>CRU Tier</b>
USB FULL--US English (models A3Q A1Q A2Q A4Q A5Q A6Q)	41A5289	1
USB FULL--Arabic (models)	41A5290	1
USB FULL--Arabic/French (models)	41A5291	1
USB FULL--Belgian/French (models)	41A5292	1
USB FULL--Belgium English (models)	41A5293	1
USB FULL--Brazilian Portuguese (models)	41A5294	1
USB FULL--Bulgarian (models)	41A5295	1
USB FULL--Chinese/US (models)	41A5296	1
USB FULL--Czech (ABB) (models)	41A5297	1
USB FULL--Danish (models)	41A5298	1
USB FULL--Dutch (models)	41A5299	1
USB FULL--French (models)	41A5300	1
USB FULL--French Canadian (models)	41A5301	1
USB FULL--French Canadian (models)	41A5302	1
USB FULL--German (models)	41A5303	1
USB FULL--Greek (models)	41A5304	1
USB FULL--Greek/US (models)	41A5305	1
USB FULL--Hebrew (models)	41A5306	1
USB FULL--Hungarian (models)	41A5307	1
USB FULL--Iceland (models)	41A5308	1
USB FULL--Italy (models)	41A5309	1
USB FULL--Japanese (models)	41A5310	1

<b>9421 Keyboards (Lenovo Preferred Pro USB -- without hub)</b>	<b>FRU#</b>	<b>CRU Tier</b>
USB FULL--Korean (models)	41A5311	1
USB FULL--LA Spanish (models)	41A5312	1
USB FULL--Norwegian (models)	41A5313	1
USB FULL--Polish (models)	41A5314	1
USB FULL--Portugese (models)	41A5315	1
USB FULL--Romanian (models)	41A5317	1
USB FULL--Russian/Cyrillic (models)	41A5318	1
USB FULL--Serbian/Cyrillic (models)	41A5319	1
USB FULL--Slovak (models)	41A5320	1
USB FULL--Spanish (models)	41A5321	1
USB FULL--Swedish/Finnish (models)	41A5322	1
USB FULL--Swiss F/G (models)	41A5323	1
USB FULL--Thailand (models)	41A5324	1
USB FULL--Turkish (models)	41A5325	1
USB FULL--Turkish (models)	41A5326	1
USB FULL--UK English (models)	41A5327	1
USB FULL--US Euro (models)	41A5328	1
USB FULL--Slovenian (models)	41A5329	1

<b>9421 Keyboards (Lenovo Fingerprint Reader USB)</b>	<b>FRU#</b>	<b>CRU Tier</b>
US English (models)	41R0038	1
Arabic (models)	41R0039	1
Arabic/French (models)	41R0040	1
Belgian/French (models)	41R0041	1
Belgium English (models)	41R0042	1
Brazilian Portuguese (models)	41R0043	1
Bulgarian (models)	41R0044	1
Chinese/US (models)	41R0045	1
Czech (ABB) (models)	41R0046	1
Danish (models)	41R0047	1
Dutch (models)	41R0048	1
French (models)	41R0049	1
French Canadian (models)	41R0050	1
French Canadian (models)	41R0051	1
German (models)	41R0052	1
Greek (models)	41R0053	1
Greek/US (models)	41R0054	1
Hebrew (models)	41R0055	1

<b>9421 Keyboards (Lenovo Fingerprint Reader USB)</b>	<b>FRU#</b>	<b>CRU Tier</b>
Hungarian (models)	41R0056	1
Iceland (models)	41R0057	1
Italy (models)	41R0058	1
Japanese (models)	41R0059	1
Korean (models)	41R0060	1
LA Spanish (models)	41R0061	1
Norwegian (models)	41R0062	1
Polish (models)	41R0063	1
Portuguese (models)	41R0064	1
Romanian (models)	41R0065	1
Romanian (models)	41R0066	1
Russian/Cyrillic (models)	41R0067	1
Serbian/Cyrillic (models)	41R0068	1
Slovak (models)	41R0069	1
Spanish (models)	41R0070	1
Swedish/Finnish (models)	41R0071	1
Swiss F/G (models)	41R0072	1
Thailand (models)	41R0073	1
Turkish (models)	41R0074	1
Turkish (models)	41R0075	1
UK English (models)	41R0076	1
US Euro (models)	41R0077	1
Slovenian (models)	41R0078	1

<b>9421 Keyboards (Lenovo Preferred Pro PS/2 Full Size)</b>	<b>FRU#</b>	<b>CRU Tier</b>
PS/2 Full--US English (models)	41A5039	1
PS/2 Full--Arabic (models)	41A5040	1
PS/2 Full--Arabic/French (models)	41A5041	1
PS/2 Full--Belgian/French (models)	41A5042	1
PS/2 Full--Belgium English (models)	41A5043	1
PS/2 Full--Brazilian Portuguese (models)	41A5044	1
PS/2 Full--Bulgarian (models)	41A5045	1
PS/2 Full--Chinese/US (models)	41A5046	1
PS/2 Full--Czech (ABB) (models)	41A5047	1
PS/2 Full--Danish (models)	41A5048	1
PS/2 Full--Dutch (models)	41A5049	1
PS/2 Full--French (models)	41A5050	1
PS/2 Full--French Canadian (models)	41A5051	1

<b>9421 Keyboards (Lenovo Preferred Pro PS/2 Full Size)</b>	<b>FRU#</b>	<b>CRU Tier</b>
PS/2 Full--French Canadian (models)	41A5052	1
PS/2 Full--German (models)	41A5053	1
PS/2 Full--Greek (models)	41A5054	1
PS/2 Full--Greek/US (models)	41A5080	1
PS/2 Full--Hebrew (models)	41A5055	1
PS/2 Full--Hungarian (models)	41A5056	1
PS/2 Full--Iceland (models)	41A5057	1
PS/2 Full--Italy (models)	41A5058	1
PS/2 Full--Japanese (models)	41A5059	1
PS/2 Full--Korean (models)	41A5060	1
PS/2 Full--LA Spanish (models)	41A5061	1
PS/2 Full--Norwegian (models)	41A5062	1
PS/2 Full--Polish (models)	41A5063	1
PS/2 Full--Portugese (models)	41A5064	1
PS/2 Full--Romanian (models)	41A5065	1
PS/2 Full--Russian/Cyrillic (models)	41A5066	1
PS/2 Full--Serbian/Cyrillic (models)	41A5067	1
PS/2 Full--Slovak (models)	41A5068	1
PS/2 Full--Spanish (models)	41A5069	1
PS/2 Full--Swedish/Finnish (models)	41A5070	1
PS/2 Full--Swiss F/G (models)	41A5071	1
PS/2 Full--Thailand (models)	41A5072	1
PS/2 Full--Turkish (models)	41A5073	1
PS/2 Full--Turkish (models)	41A5074	1
PS/2 Full--UK English (models)	41A5075	1
PS/2 Full--US Euro (models)	41A5076	1
PS/2 Full--Slovenian (models)	41A5077	1

<b>9421 mice</b>	<b>FRU#</b>	<b>CRU</b>
Optical Wheel Mouse (400DPI, USB) (models A3Q A1Q A2Q A4Q A5Q A6Q)	41U3013	1
Optical Wheel Mouse (400DPI, USB) (models A3Q A1Q A2Q A4Q A5Q A6Q)	41U3030	1
PS/2 Three Button ball mouse (41R0017) (models)	41R0018	1

<b>9421 Adapters and miscellaneous FRUs</b>	<b>FRU#</b>	<b>CRU</b>
Internal USB Memory Card Reader floppy bay (models)	41R3378	2
Internal 20 in 1 USB Memory Card Reader (models)	45R8139	1
NVIDIA GeForce 9300 GE 256M Full Height (DVI+VGA) (TOWER) (models CTO)	45R5494	2
ATI HD 2600XT 512MB 128BIT ATX (models)	43C0261	2



<b>9421 Adapters and miscellaneous FRUs</b>	<b>FRU#</b>	<b>CRU</b>
IEEE 1394 Firewire Adapter SFF (models)	41D2781	2
IEEE 1394 Firewire Adapter ATX (models)	41D2781	2
Soft Modem V.90/V.44 SFF (models)	29R9729	2
Soft Modem V.90/V.44 ATX (models)	29R9729	2
ATI HD 2400PRO 128MB 64BIT DMS59 ATX (models)	43C0259	2
ATI HD 2400XT 256MB 64BIT DMS59 ATX Secondary (models)	46R4160	2
Speaker Power brick - US, Canada, LA low voltage, ASEAN (models)	89P8571	1
Speaker Power brick - LA high voltage (non-APU) (models)	89P8575	1
Speaker Power brick - SIMPLIFIED -CHN, Thailand EMEA(models)	89P8581	1
Speaker Power brick - Japan (models)	89P8577	1
Speaker Power brick - Brazil (models)	89P8583	1
Speaker Power brick - Argentina (models)	41A4901	1
Speaker Power brick - ANZ (models)	89P8579	1
Speaker Power brick - Korean (models)	41A4903	1
Speaker Power brick - Hong Kong, EMEA (models)	89P8573	1
Speaker Power brick -TAIWAN-TC (models)	41A4905	1
Speaker Power brick - India, South Africa (models A3Q A1Q A2Q A4Q A5Q A6Q)	89P8585	1
Dongle DMS Dule DMS-59 to dual VGA Cable (models)	42Y8181	2
Dongle DMS Dule DMS-59 to dual DVI Cable (models)	41X6398	2
Dongle DMS Dule DMS-59 to single VGA & single DVI Cable (models)	42Y8183	2
2-pc external speaker--primary (models)	41A5331	1
2-pc external speaker-secondary (models)	41A5334	1
DVI-I(M)-VGA(F) cord (models)	41R3342	2
Battery 3V- Lithium (models A3Q A1Q A2Q A4Q A5Q A6Q)	45C1566	1
HD 3470 256M 64bit DP ATX/LP (models)	46R1521	2
DP to DVI dongle (models)	43N9160	2
Bitland 88E8075 1000M PCIE DASH NIC FH (R)(Rocky) (models)	53Y4008	2
AMD Display Port card LP@ (Rocky) (models)	53Y4002	1

<b>9421 Power Cords</b>	<b>FRU#</b>	<b>CRU</b>
Power cord - US (models)	41R3184	1
Power cord - US (models)	41R3185	1
Power cord - China (models)	41R3256	1
Power cord - China (models)	41R3257	1
Power cord - Japanese and Japanese English (models)	41R3248	1
Power cord - Japanese and Japanese English (models)	41R3249	1
Power cord - Brazil (Portigese) (models)	41R3270	1
Power cord - Brazil (Portigese) (models)	41R3271	1
Power cord - LA High Volt (APU) (models)	41R3176	1

<b>9421 Power Cords</b>	<b>FRU#</b>	<b>CRU</b>
Power cord - LA High Volt (APU) (models)	41R3177	1
Power cord - ANZ (models)	41R3196	1
Power cord - ANZ (models)	41R3197	1
Power cord - Korea (models)	41R3260	1
Power cord - Korea (models)	41R3261	1
Power cord - UK, Ireland, Singapore, Malaysia, Brunei, Hongkong (models)	41R3224	1
Power cord - UK, Ireland, Singapore, Malaysia, Brunei, Hongkong (models)	41R3225	1
Power cord - Taiwan (models)	41R3278	1
Power cord - Taiwan (models)	41R3279	1
Power cord - Italy (models)	41R3232	1
Power cord - Italy (models)	41R3233	1
Power cord - Indonesia, Laos, Cambodia, Vietnam, Austria, Belgium, Croatia, Czechoslovakia, Finland, France, Germany, Hungary, Netherlands, Norway, Poland, Portugal, Romania, Spain, Sweden (models)	41R3208	1
Power cord - Indonesia, Laos, Cambodia, Vietnam, Austria, Belgium, Croatia, Czechoslovakia, Finland, France, Germany, Hungary, Netherlands, Norway, Poland, Portugal, Romania, Spain, Sweden (models)	41R3209	1
Power cord - Denmark (models)	41R3212	1
Power cord - Denmark (models)	41R3213	1
Power cord - Switzerland (models)	41R3228	1
Power cord - Switzerland (models)	41R3229	1
Power cord - Israel (models)	41R3236	1
Power cord - Israel (models)	41R3237	1
Power cord - South Africa (models)	41R3220	1
Power cord - South Africa (models)	41R3221	1
Power cord - India (models A3Q A1Q A2Q A4Q A5Q A6Q)	41R3341	1
Power cord - India (models A3Q A1Q A2Q A4Q A5Q A6Q)	41R3175	1
Power cord - Thailand (models)	43N9029	1
Power cord - Thailand (models)	43N9030	1
Power cord - Brazil (models)	43N9044	1

<b>9421 Windows XP Home Recovery CDs</b>	<b>FRU#</b>	<b>CRU</b>
US English/UK/Asia Pacific (models)	TBD	1
French/French Canadian (models)	TBD	1
Greek (models)	TBD	1
Italy (models)	TBD	1
Brazilian (models)	TBD	1
Spanish/LA (models)	TBD	1
Danish (models)	TBD	1
Dutch (models)	TBD	1

<b>9421 Windows XP Home Recovery CDs</b>	<b>FRU#</b>	<b>CRU</b>
Arabic (models)	TBD	1
SV (Swedish) (models)	TBD	1
Hebrew (models)	TBD	1
Finnish (models)	TBD	1
Norwegian (models)	TBD	1
Polish (models)	TBD	1
Portugese (models)	TBD	1
Russian (models)	TBD	1
Russian English (models)	TBD	1
Hungarian (models)	TBD	1
Czech (models)	TBD	1
Turkish native (models)	TBD	1
Greek (models)	TBD	1
Japanese (models)	TBD	1
Simplified Chinese (models)	TBD	1
Taiwan-TC (models)	TBD	1
Hong Kong-TC (models)	TBD	1
Korean (models)	TBD	1

<b>9421 Windows XP Pro Recovery CDs</b>	<b>FRU#</b>	<b>CRU</b>
English (models)	64Y5588	1
Japanese (models)	64Y6202	1
Simplified Chinese (models)	64Y5590	1
Spanish (models)	64Y5591	1
French (models)	64Y5592	1
Italian (models)	64Y5593	1
Brazilian Portuguese (models)	64Y5594	1
German (models)	64Y5595	1
Hong Kong (models)	64Y5596	1
Swedish (models)	64Y5597	1
Danish (models)	64Y5598	1
Norway (models)	64Y5599	1
Finland (models)	64Y5600	1
Arabic (models)	64Y5601	1
Traditional Chinese (models)	64Y5602	1
Russian (models)	64Y5603	1
Polish (models)	64Y5604	1
Hebrew (models)	64Y5605	1
Korea (models)	64Y5606	1

<b>9421 Windows XP Pro Recovery CDs</b>	<b>FRU#</b>	<b>CRU</b>
Greek (models)	64Y5607	1
Turkish (models)	64Y5608	1
Dutch (models)	64Y5609	1
Slovenian (models)	64Y5610	1
Hungarian (models)	64Y5611	1
Czech (models)	64Y5612	1
Portuguese (models)	64Y5613	1
Russian English (models)	64Y5614	1
MUI Nordics (EN-DK-FI-NO-SV) (models)	71Y6401	1
MUI Switz (EN-FR-GR-IT) (models)	71Y6402	1
MUI Bel-Lux (EN-FR-GR-NL) (models)	71Y6403	1

<b>9421 Vista Home Basic 32 Recovery CDs</b>	<b>FRU#</b>	<b>CRU</b>
US English (models)	46R8053	1
French (models)	46R8057	1
German (models)	46R8060	1
Spanish (models)	46R8056	1
Brazilian (models)	46R8059	1
Italian (models)	46R8058	1
Japanese (models)	64Y6207	1
Dutch (models)	46R8070	1
Czech (models)	46R8074	1
Polish (models)	46R8065	1
Russian (models)	46R8064	1
Turkish (models)	46R8069	1
Hungarian (models)	46R8073	1
Greek (models)	46R8068	1
Portuguese (models)	46R8077	1
Hong Kong (models)	46R8061	1
Traditional Chinese (models)	46R8063	1
Korean (models)	46R8067	1
Slovenian (models)	46R8071	1
Russian English (models)	46R8078	1
Hebrew (models)	46R8066	1
Arabic Localized (models)	46R8062	1
Slovakian (models)	46R8075	1
Simplified Chinese (models)	46R8055	1
Serbian-Latin (models)	46R8076	1
Romanian (models)	46R8072	1

<b>9421 Vista Home Basic 32 Recovery CDs</b>	<b>FRU#</b>	<b>CRU</b>
Belgium-Luxembourg (models)	53Y4230	1
Switzerland (models)	53Y4231	1
Nordics (models)	53Y4232	1

<b>9421 Vista Business 32 Recovery CDs</b>	<b>FRU#</b>	<b>CRU</b>
US English (models A2Q A6Q)	46R8079	1
French (models)	46R8083	1
German (models)	46R8086	1
Spanish (models)	46R8082	1
Brazilian (models)	46R8085	1
Italian (models)	46R8084	1
Japanese (models)	64Y6205	1
English for Indian (models)	64Y9435	1
Dutch (models)	46R8096	1
Czech (models)	46R8100	1
Polish (models)	46R8091	1
Russian (models)	46R8090	1
Turkish (models)	46R8095	1
Hungarian (models)	46R8099	1
Greek (models)	46R8094	1
Portuguese (models)	46R8103	1
Simplified Chinese (models)	46R8081	1
Hong Kong (models)	46R8087	1
Traditional Chinese (models)	46R8089	1
Korean (models)	46R8093	1
Slovenian (models)	46R8097	1
Russian English (models)	46R8104	1
Romanian (models)	46R8098	1
Sebian-Latin (models)	46R8102	1
Hebrew (models)	46R8092	1
Arabic Localized (models)	46R8088	1
Slovakian (models)	46R8101	1
Belgium-Luxembourg (models A2Q A6Q)	53Y4233	1
Switzerland (models A2Q A6Q)	53Y4234	1
Nordics (models)	53Y4235	1

<b>9421 Vista Premium 32 Recovery CDs</b>	<b>FRU#</b>	<b>CRU</b>
US English (models)	46R8141	1
French (models)	46R8143	1

<b>9421 Vista Premium 32 Recovery CDs</b>	<b>FRU#</b>	<b>CRU</b>
German (models)	46R8144	1
Spanish (models)	46R8145	1
Italian (models)	46R8146	1
Japanese (models)	64Y6208	1
Hong Kong (models)	46R8147	1
Korean (models)	46R8148	1
Athens Vista SP1 MUL 1 P/N's VHP32 (EN FR GR NL) (models)	53Y4236	1
Athens Vista SP1 MUL 2 P/N's VHP32 (EN FR GR IT) (models)	53Y4237	1
Athens Vista SP1 MUL 3P/N's VHP32 (EN DK FI NO SV) (models)	53Y4238	1

<b>9421 Vista Business 64 Recovery CDs</b>	<b>FRU#</b>	<b>CRU</b>
US English (models)	46R8131	1
French (models)	46R8134	1
German (models)	46R8135	1
Japanese (models)	64Y6210	1
Simplified Chinese (models)	46R8133	1

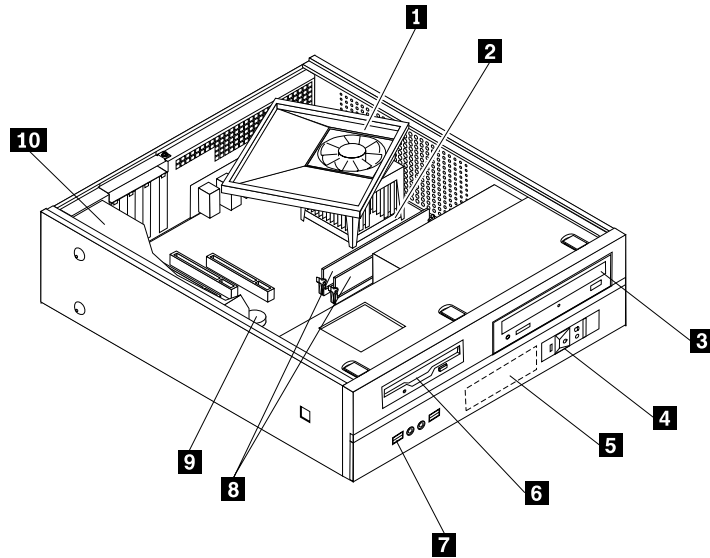
<b>9421 Vista Ultimate 32 Recovery CDs</b>	<b>FRU#</b>	<b>CRU</b>
US English (models)	46R8149	1
Japanese (models)	64Y6209	1
French (models)	46R8151	1
German (models)	46R8152	1
Spanish (models)	46R8153	1
Italian (models)	46R8154	1
Hong Kong (models)	46R8155	1
Arabic Localized (models)	46R8156	1
Athens Vista SP1 MUL 1 P/N's VU32 (EN DK FI NO SV) (models)	53Y4239	1

<b>9421 Vista Starter 32 Recovery CDs</b>	<b>FRU#</b>	<b>CRU</b>
English (models)	46R8052	1

<b>9421 Vista Home Premium 64 Recovery CDs</b>	<b>FRU#</b>	<b>CRU</b>
US (models)	71Y6634	1
French (models)	71Y6635	1

<b>9421 Win7 Professional 32</b>	<b>FRU#</b>	<b>CRU</b>
Brazilian Portuguese (all models)	89Y0454	1

## Machine Type 9426



Item #	9426 FRUs	FRU#	CRU
1	AMD 89W&65W 4Pin heatsink (ROCKYS) (all models)	41R6407	2
2	Microprocessor, Athlon64 4800+ X2 (2.50GHz, 1M L2, 65W) G1 65nm (models)	43C4093	N
2	Microprocessor, Athlon64 5000+ X2 (2.60GHz, 1M L2, 65W) G1 65nm (models)	41X1427	N
2	Microprocessor, Athlon 1640B (2.70GHz, 512K L2, 45W) G2 65nm (models)	45R6488	N
2	Microprocessor, Athlon64 5200+ AM2 X2 (2.7 GHz processor, 65W) stepping G1 65nm (models)	45C7502	N
2	Microprocessor, Athlon64 5400B X2(2.80GHz, 1M L2, 65W) G2 65nm (models)	45R6486	N
2	Microprocessor, Athlon64 5600+ X2 (2.90GHz, 1M L2, 89W) G2 65nm (models)	45C7504	N
2	Microprocessor, Athlon X2 BE 2350 (2.1GHz processor, 45W, 1MB L2) steping G1 (models)	43C6166	N
2	Microprocessor, Athlon X2 BE 2400 (2.3GHz processor, 45W, 1MB L2) steping G1 (models)	43C6165	N
2	Microprocessor, Athlon 4450B X2 (2.30GHz, 1M L2, 45W) G2 65nm (models)	46R3624	N
2	Microprocessor, Athlon 5000B X2 (2.60GHz, 1M L2, 65W) G2 65nm (models)	46R3625	N
2	Microprocessor, Athlon 5200B X2 (2.70GHz, 1M L2, 65W) G2 65nm (models)	46R3626	N
2	Microprocessor, Athlon LE-1660 (2.8 GHz, 512K L2, 45W) G2 65nm (models CTO)	53Y7722	N
2	Microprocessor, Athlon X2 5600B (2.9 GHz, 1M L2, 65W) G2 65nm (models CTO)	53Y7718	N
2	Microprocessor, Athlon64 X2 6000+ (3.1 GHz, 1M L2, 89W) G2 65nm (models CTO)	53Y7720	N
2	Microprocessor, Athlon II X2 240 (2.8GHz, 2M Total Cache, AM3, 65W) C2 45nm (models 91Z)	64Y8012	N
2	Microprocessor, Athlon II X2 245 (2.9GHz, 2M Total Cache, AM3, 65W) C2 45nm (models 91Z)	64Y8013	N
2	Microprocessor, Athlon II X3 435 (2.9GHz, 1.5M Total Cache, AM3, 95W) C2 45nm (models 91Z)	64Y8020	N

Item #	9426 FRUs	FRU#	CRU
2	Microprocessor, Phenom II X2 550 (3.1GHz, 7M Total Cache, AM3, 80W) C2 45nm (models 91Z)	64Y8024	N
2	Microprocessor, Phenom II X2 555 (3.2 GHz, 7M Total Cache, AM3, 80W) C3 45nm (models 91Z)	89Y0793	N
2	Microprocessor, Phenom II X3 720 (2.8GHz, 7.5M Total Cache, AM3, 95W) C2 45nm (models 91Z)	64Y8030	N
2	Microprocessor, Phenom II X4 910 (2.6GHz, 8M Total Cache, AM3, 95W) C2 45nm (models 91Z)	64Y8035	N
2	Microprocessor, Sempron LE-1250 (2.20GHz, 512K L2, 45W) G2 65nm (models)	43C6168	N
2	Microprocessor, Sempron LE-1300 (2.30GHz, 512K L2, 45W) G2 65nm (models)	43C8986	N
2	Microprocessor, Sempron 2100 X2 (1.80GHz, 512K L2, 65W) G2 65nm (models)	46R3629	N
2	Microprocessor, Sempron 2200 X2 (2.00GHz, 512K L2, 65W) G2 65nm (models)	46R3630	N
2	Microprocessor, Sempron X2 2300 (2.2GHz, 512K L2, 65W) G2 65nm (models CTO)	53Y7724	N
2	Microprocessor, Sempron 140 (2.7GHz, 1M Total Cache, AM3, 45W) C2 45nm (models 91Z)	71Y6414	N
2	Microprocessor, Phenom 8600B (2.30GHz, 1.5M L2, 2M L3, 95W) stepping B2 65nm (models)	45R6494	N
2	Microprocessor, Phenom 9550 (2.20GHz, 2M L2, 2M L3, 95W) stepping B3 65nm (models)	45R6496	N
2	Microprocessor, Phenom 9650 (2.30GHz, 2M L2, 2M L3, 95W) stepping B3 65nm (models)	45R6498	N
2	Microprocessor, Phenom 9600B (2.30GHz, 2M L2, 2M L3, 95W) stepping B2 65nm (models)	45R6500	N
2	Microprocessor, Phenom 8450 (2.10GHz, 1.5M L2, 2M L3, 95W) B3 65nm (models)	45R6490	N
2	Microprocessor, Phenom X3 8600B (2.3GHz, 1.5M L2, 2M L3, 95W) B3 65nm (models)	45R6494	N
2	Microprocessor, Phenom 9550 (2.20GHz, 2M L2, 2M L3, 95W) stepping B3 65nm (models CTO)	53Y7709	N
2	Microprocessor, Phenom X4 9750B (2.4 GHz, 512K / 2M L2, 95W) B3 65nm (models CTO)	53Y7711	N
3	DVD-ROM Drive - 16x/48x - SATA Vista & non-Vista (models)	41N3325	2
3	DVD-ROM Drive - 16x/48x - With DVD playback software (models)	71Y5543	2
3	DVD Recordable/CD-RW Rambo 8 - SATA Vista & non-Vista (models)	43C1042	2
3	DVD-RW/CD-RW Rambo 8 - With write software (models)	71Y5545	2
4	Front Power/LED PC, bracket, and cable (all models)	41N8213	2
5	Hard disk drive, 80GB, 7200RPM, SATA (models)	40Y9034	2
5	Hard disk drive, 160GB, 7200RPM, SATA (models)	40Y9035	2
5	Hard disk drive, SATA 160GB 7200RPM/3Gb/8MB (models)	53Y6837	2
5	Hard disk drive, SATA 250GB 7200RPM/3Gb/8MB (models)	45K0408	2
5	Hard disk drive, SATA 320GB 7200rpm SATA/8MB (models)	45K0409	2
5	Hard disk drive, SATA 500GB 7200RPM/3Gb/s/8MB (models)	45K0410	2
5	Hard disk drive, 250GB, 7200RPM, SATA (models)	40Y9036	2
5	Hard disk drive, 320GB 7200rpm SATA/8MB (models)	87H4891	2



Item #	9426 FRUs	FRU#	CRU
5	Hard disk drive, SATA 500GB 7200RPM/3Gb/s/8MB (models)	41X5582	2
6	Diskette drive, 3.5" 1.44MB 2 Mode FDD with Bezel and cable (models)	40Y9105	2
6	Diskette drive, 3.5" 1.44MB 2 Mode FDD with Bezel and cable (models)	40Y9107	2
7	Front USB/Audio with bracket (all models)	41N8212	2
8	Memory module, 512 MB PC2-5300 (667MHz) DDR2 SDRAM (models)	41X4255	2
8	Memory module, 512MB PC2-6400 (800MHz) DDR2 SDRAM (models)	41X1079	2
8	Memory module, 1GB PC2-6400 (667MHz) DDR2 SDRAM (models)	41X1080	2
8	Memory module, 2GB PC2-6400 (667MHz) DDR2 SDRAM (models)	41X1081	2
9	System board, Planar AMD RS780 mATX (TOWER & ROCKYS) (models)	71Y5724	N
9	System board, Planar AMD RS780 mATX GA Level - TPM Disable for Russia (models)	71Y4994	N
9	System board, Planar AMD RS780 mATX GA Level - Support Phenom II X2 555 (models 91Z)	89Y1346	N
9	System board, Planar AMD RS780 mATX GA Level -Support Win7 and AM3 C2 CPU (models 91Z)	89Y1809	N
10	Power Supply, ATX 280 Watt world wide (models)	41A9684	2
10	Power Supply, ATX 280 Watt 80% world wide and Japan (models)	41A9665	2
10	Power Supply, ATX 310 Watt world wide and Japan (models)	41A9726	2
10	Power Supply, 220 Watt world wide (models)	41A9689	N
10	Power Supply, 220 Watt only for Japan (models)	41A9697	N
10	Power Supply, 220 Watt 80% world wide and Japan (models)	41A9670	N
10	Power Supply, 280 Watt TFX Active PFC, world wide and Japan (models)	41A9705	N

The FRUs listed in the following tables are not illustrated.

9426 FRUs	FRU#	CRU
Fru rear IO shield ATX,for RX 780,Atlantic (all models)	41R6383	N
FDD Cable (all models)	41A7147	2
Cabel-SATA 250mm (RoHS) (all models)	43N9012	2
EMC Shield, Blank 5.25 (all models)	41N8271	2
EMC Shield, Blank FDD (all models)	41N8273	2
Cover, Rocky S3 (all models)	41N8204	2
Mechanical shell kit Rocky S4 (all models)	43N9374	N
Bezel kit, Rocky S3 without IBM logo (all models)	41R6238	2
Misc Hardware Kit (all models)	41N8209	2
HDD Bracket Asm (plastic and grommets) (all models)	41N8210	2
HDD Fan and bracket asm (all models)	41R6325	2
Speaker Cable Asm, 600 mm cable length (all models)	41N8217	2
Rear Com2 cable II LP (all models)	42Y8008	2
Rear USB 2Ports II LP (all models)	42Y8006	2

<b>9426 FRUs</b>	<b>FRU#</b>	<b>CRU</b>
Foot stand ASM for ACE rocky S3 (all models)	41R4813	1
Instruction switch Asm (all models)	41R6208	2
RM Asm, AMD (all models)	41R2507	N
Temp Sense Cable (165 mm) (all models)	43N9079	2
Fru-Cable, MINI,COM2 CABLE(ROHS) (all models)	41R6198	2

<b>9426 Keyboards (Lenovo Preferred Pro USB -- without hub)</b>	<b>FRU#</b>	<b>CRU Tier</b>
USB FULL--US English (models)	41A5289	1
USB FULL--Arabic (models)	41A5290	1
USB FULL--Arabic/French (models)	41A5291	1
USB FULL--Belgian/French (models)	41A5292	1
USB FULL--Belgium English (models)	41A5293	1
USB FULL--Brazilian Portuguese (models)	41A5294	1
USB FULL--Bulgarian (models)	41A5295	1
USB FULL--Chinese/US (models)	41A5296	1
USB FULL--Czech (ABB) (models)	41A5297	1
USB FULL--Danish (models)	41A5298	1
USB FULL--Dutch (models)	41A5299	1
USB FULL--French (models)	41A5300	1
USB FULL--French Canadian (models)	41A5301	1
USB FULL--French Canadian (models)	41A5302	1
USB FULL--German (models)	41A5303	1
USB FULL--Greek (models)	41A5304	1
USB FULL--Greek/US (models)	41A5305	1
USB FULL--Hebrew (models)	41A5306	1
USB FULL--Hungarian (models)	41A5307	1
USB FULL--Iceland (models)	41A5308	1
USB FULL--Italy (models)	41A5309	1
USB FULL--Japanese (models)	41A5310	1
USB FULL--Korean (models)	41A5311	1
USB FULL--LA Spanish (models)	41A5312	1
USB FULL--Norwegian (models)	41A5313	1
USB FULL--Polish (models)	41A5314	1
USB FULL--Portugese (models)	41A5315	1
USB FULL--Romanian (models)	41A5317	1
USB FULL--Russian/Cyrillic (models)	41A5318	1
USB FULL--Serbian/Cyrillic (models)	41A5319	1
USB FULL--Slovak (models)	41A5320	1

<b>9426 Keyboards (Lenovo Preferred Pro USB -- without hub)</b>	<b>FRU#</b>	<b>CRU Tier</b>
USB FULL--Spanish (models)	41A5321	1
USB FULL--Swedish/Finnish (models)	41A5322	1
USB FULL--Swiss F/G (models)	41A5323	1
USB FULL--Thailand (models)	41A5324	1
USB FULL--Turkish (models)	41A5325	1
USB FULL--Turkish (models)	41A5326	1
USB FULL--UK English (models)	41A5327	1
USB FULL--US Euro (models)	41A5328	1
USB FULL--Slovenian (models)	41A5329	1

<b>9426 Keyboards (Lenovo Fingerprint Reader USB)</b>	<b>FRU#</b>	<b>CRU Tier</b>
US English (models)	41R0038	1
Arabic (models)	41R0039	1
Arabic/French (models)	41R0040	1
Belgian/French (models)	41R0041	1
Belgium English (models)	41R0042	1
Brazilian Portuguese (models)	41R0043	1
Bulgarian (models)	41R0044	1
Chinese/US (models)	41R0045	1
Czech (ABB) (models)	41R0046	1
Danish (models)	41R0047	1
Dutch (models)	41R0048	1
French (models)	41R0049	1
French Canadian (models)	41R0050	1
French Canadian (models)	41R0051	1
German (models)	41R0052	1
Greek (models)	41R0053	1
Greek/US (models)	41R0054	1
Hebrew (models)	41R0055	1
Hungarian (models)	41R0056	1
Iceland (models)	41R0057	1
Italy (models)	41R0058	1
Japanese (models)	41R0059	1
Korean (models)	41R0060	1
LA Spanish (models)	41R0061	1
Norwegian (models)	41R0062	1
Polish (models)	41R0063	1
Portuguese (models)	41R0064	1

<b>9426 Keyboards (Lenovo Fingerprint Reader USB)</b>	<b>FRU#</b>	<b>CRU Tier</b>
Romanian (models)	41R0065	1
Romanian (models)	41R0066	1
Russian/Cyrillic (models)	41R0067	1
Serbian/Cyrillic (models)	41R0068	1
Slovak (models)	41R0069	1
Spanish (models)	41R0070	1
Swedish/Finnish (models)	41R0071	1
Swiss F/G (models)	41R0072	1
Thailand (models)	41R0073	1
Turkish (models)	41R0074	1
Turkish (models)	41R0075	1
UK English (models)	41R0076	1
US Euro (models)	41R0077	1
Slovenian (models)	41R0078	1

<b>9426 Keyboards (Lenovo Preferred Pro PS/2 Full Size)</b>	<b>FRU#</b>	<b>CRU Tier</b>
PS/2 Full--US English (models)	41A5039	1
PS/2 Full--Arabic (models)	41A5040	1
PS/2 Full--Arabic/French (models)	41A5041	1
PS/2 Full--Belgian/French (models)	41A5042	1
PS/2 Full--Belgium English (models)	41A5043	1
PS/2 Full--Brazilian Portuguese (models)	41A5044	1
PS/2 Full--Bulgarian (models)	41A5045	1
PS/2 Full--Chinese/US (models)	41A5046	1
PS/2 Full--Czech (ABB) (models)	41A5047	1
PS/2 Full--Danish (models)	41A5048	1
PS/2 Full--Dutch (models)	41A5049	1
PS/2 Full--French (models)	41A5050	1
PS/2 Full--French Canadian (models)	41A5051	1
PS/2 Full--French Canadian (models)	41A5052	1
PS/2 Full--German (models)	41A5053	1
PS/2 Full--Greek (models)	41A5054	1
PS/2 Full--Greek/US (models)	41A5080	1
PS/2 Full--Hebrew (models)	41A5055	1
PS/2 Full--Hungarian (models)	41A5056	1
PS/2 Full--Iceland (models)	41A5057	1
PS/2 Full--Italy (models)	41A5058	1
PS/2 Full--Japanese (models)	41A5059	1

<b>9426 Keyboards (Lenovo Preferred Pro PS/2 Full Size)</b>	<b>FRU#</b>	<b>CRU Tier</b>
PS/2 Full--Korean (models)	41A5060	1
PS/2 Full--LA Spanish (models)	41A5061	1
PS/2 Full--Norwegian (models)	41A5062	1
PS/2 Full--Polish (models)	41A5063	1
PS/2 Full--Portugese (models)	41A5064	1
PS/2 Full--Romanian (models)	41A5065	1
PS/2 Full--Russian/Cyrillic (models)	41A5066	1
PS/2 Full--Serbian/Cyrillic (models)	41A5067	1
PS/2 Full--Slovak (models)	41A5068	1
PS/2 Full--Spanish (models)	41A5069	1
PS/2 Full--Swedish/Finnish (models)	41A5070	1
PS/2 Full--Swiss F/G (models)	41A5071	1
PS/2 Full--Thailand (models)	41A5072	1
PS/2 Full--Turkish (models)	41A5073	1
PS/2 Full--Turkish (models)	41A5074	1
PS/2 Full--UK English (models)	41A5075	1
PS/2 Full--US Euro (models)	41A5076	1
PS/2 Full--Slovenian (models)	41A5077	1

<b>9426 mice</b>	<b>FRU#</b>	<b>CRU</b>
Optical Wheel Mouse OPT (400DPI, USB) (models)	41U3013	1
Optical Wheel Mouse OPT (400DPI, USB) (models)	41U3030	1
PS/2 Three Button ball mouse scrollpoint (41R0017) (models)	41R0018	1

<b>9426 Adapters and miscellaneous FRUs</b>	<b>FRU#</b>	<b>CRU</b>
Internal USB Memory Card Reader floppy bay (models)	41R3378	2
Internal 20 in 1 USB Memory Card Reader (models)	45R8139	1
NVIDIA GeForce 9300 GE 256M Low Profile (1*DVI) (Rockey) (models)	53Y5823	2
ATI HD 2600XT 512MB 128BIT ATX (models)	43C0261	2
IEEE 1394 Firewire Adapter SFF (models)	41D2781	2
IEEE 1394 Firewire Adapter ATX (models)	41D2781	2
Soft Modem V.90/V.44 SFF (models)	29R9729	2
Soft Modem V.90/V.44 ATX (models)	29R9729	2
ATI HD 2400PRO 128MB 64BIT DMS59 LP (models)	43C0259	2
ATI HD 2400PRO 128MB 64BIT DMS59 ATX (models)	43C0259	2
ATI HD 2400XT 256MB 64BIT DMS59 LP Secondary (models)	64Y3997	2
Speaker Power brick - US, Canada, LA low voltage, ASEAN (models)	89P8571	1
Speaker Power brick - LA high voltage (non-APU) (models)	89P8575	1

<b>9426 Adapters and miscellaneous FRUs</b>	<b>FRU#</b>	<b>CRU</b>
Speaker Power brick - SIMPLIFIED -CHN, Thailand EMEA(models)	89P8581	1
Speaker Power brick - Japan (models)	89P8577	1
Speaker Power brick - Brazil (models)	89P8583	1
Speaker Power brick - Argentina (models)	41A4901	1
Speaker Power brick - ANZ (models)	89P8579	1
Speaker Power brick - Korean (models)	41A4903	1
Speaker Power brick - Hong Kong, EMEA (models)	89P8573	1
Speaker Power brick -TAIWAN-TC (models)	41A4905	1
Speaker Power brick - India, South Africa (models)	89P8585	1
Dongle DMS Dule DMS-59 to dual VGA Cable (models)	42Y8181	2
Dongle DMS Dule DMS-59 to dual DVI Cable (models)	41X6398	2
Dongle DMS Dule DMS-59 to single VGA & single DVI Cable (models)	42Y8183	2
2-pc external speaker--primary (models)	41A5331	1
2-pc external speaker-secondary (models)	41A5334	1
DVI-I(M)-VGA(F) cord (models)	41R3342	2
Battery 3V- Lithium (models)	45C1566	1
HD 3470 256M 64bit DP ATX/LP (models)	64Y4498	2
DP to DVI dongle (models)	43N9160	2
Bitland 88E8075 1000M PCIE DASH NIC FH (R)(Rocky) (models)	53Y4008	2
AMD Display Port card LP® (Rocky) (models)	53Y4002	1

<b>9426 Power Cords</b>	<b>FRU#</b>	<b>CRU</b>
Power cord - US (models)	41R3184	1
Power cord - US (models)	41R3185	1
Power cord - China (models)	41R3256	1
Power cord - China (models)	41R3257	1
Power cord - Japanese and Japanese English (models)	41R3248	1
Power cord - Japanese and Japanese English (models)	41R3249	1
Power cord - Brazil (Portigese) (models)	41R3270	1
Power cord - Brazil (Portigese) (models)	41R3271	1
Power cord - LA High Volt (APU) (models)	41R3176	1
Power cord - LA High Volt (APU) (models)	41R3177	1
Power cord - ANZ (models)	41R3196	1
Power cord - ANZ (models)	41R3197	1
Power cord - Korea (models)	41R3260	1
Power cord - Korea (models)	41R3261	1
Power cord - UK, Ireland, Singapore, Malaysia, Brunei, Hongkong (models)	41R3224	1
Power cord - UK, Ireland, Singapore, Malaysia, Brunei, Hongkong (models)	41R3225	1
Power cord - Taiwan (models)	41R3278	1

<b>9426 Power Cords</b>	<b>FRU#</b>	<b>CRU</b>
Power cord - Taiwan (models)	41R3279	1
Power cord - Italy (models)	41R3232	1
Power cord - Italy (models)	41R3233	1
Power cord - Indonesia, Laos, Cambodia, Vietnam, Austria, Belgium, Croatia, Czechoslovakia, Finland, France, Germany, Hungary, Netherlands, Norway, Poland, Portugal, Romania, Spain, Sweden (models)	41R3208	1
Power cord - Indonesia, Laos, Cambodia, Vietnam, Austria, Belgium, Croatia, Czechoslovakia, Finland, France, Germany, Hungary, Netherlands, Norway, Poland, Portugal, Romania, Spain, Sweden (models)	41R3209	1
Power cord - Denmark (models)	41R3212	1
Power cord - Denmark (models)	41R3213	1
Power cord - Switzerland (models)	41R3228	1
Power cord - Switzerland (models)	41R3229	1
Power cord - Israel (models)	41R3236	1
Power cord - Israel (models)	41R3237	1
Power cord - South Africa (models)	41R3220	1
Power cord - South Africa (models)	41R3221	1
Power cord - India (models)	41R3341	1
Power cord - India (models)	41R3175	1
Power cord - Thailand (models)	43N9029	1
Power cord - Thailand (models)	43N9030	1
Power cord - Brazil (models)	43N9044	1

<b>9426 Windows XP Home Recovery CDs</b>	<b>FRU#</b>	<b>CRU</b>
US English/UK/Asia Pacific (models)	TBD	1
French/French Canadian (models)	TBD	1
Greek (models)	TBD	1
Italy (models)	TBD	1
Brazilian (models)	TBD	1
Spanish/LA (models)	TBD	1
Danish (models)	TBD	1
Dutch (models)	TBD	1
Arabic (models)	TBD	1
SV (Swedish) (models)	TBD	1
Hebrew (models)	TBD	1
Finnish (models)	TBD	1
Norwegian (models)	TBD	1
Polish (models)	TBD	1
Portugese (models)	TBD	1
Russian (models)	TBD	1

<b>9426 Windows XP Home Recovery CDs</b>	<b>FRU#</b>	<b>CRU</b>
Russian English (models)	TBD	1
Hungarian (models)	TBD	1
Czech (models)	TBD	1
Turkish native (models)	TBD	1
Greek (models)	TBD	1
Japanese (models)	TBD	1
Simplified Chinese (models)	TBD	1
Taiwan-TC (models)	TBD	1
Hong Kong-TC (models)	TBD	1
Korean (models)	TBD	1

<b>9624 Windows XP Pro Recovery CDs</b>	<b>FRU#</b>	<b>CRU</b>
English (models)	64Y5588	1
Japanese (models)	64Y6202	1
Simplified Chinese (models)	64Y5590	1
Spanish (models)	64Y5591	1
French (models)	64Y5592	1
Italian (models)	64Y5593	1
Brazilian Portuguese (models)	64Y5594	1
German (models)	64Y5595	1
Hong Kong (models)	64Y5596	1
Swedish (models)	64Y5597	1
Danish (models)	64Y5598	1
Norway (models)	64Y5599	1
Finland (models)	64Y5600	1
Arabic (models)	64Y5601	1
Traditional Chinese (models)	64Y5602	1
Russian (models)	64Y5603	1
Polish (models)	64Y5604	1
Hebrew (models)	64Y5605	1
Korea (models)	64Y5606	1
Greek (models)	64Y5607	1
Turkish (models)	64Y5608	1
Dutch (models)	64Y5609	1
Slovenian (models)	64Y5610	1
Hungarian (models)	64Y5611	1
Czech (models)	64Y5612	1
Portuguese (models)	64Y5613	1
Russian English (models)	64Y5614	1



<b>9624 Windows XP Pro Recovery CDs</b>	<b>FRU#</b>	<b>CRU</b>
MUI Nordics (EN-DK-FI-NO-SV) (models CTO)	71Y6401	1
MUI Switz (EN-FR-GR-IT) (models CTO)	71Y6402	1
MUI Bel-Lux (EN-FR-GR-NL) (models CTO)	71Y6403	1

<b>9426 Vista Home Basic 32 Recovery CDs</b>	<b>FRU#</b>	<b>CRU</b>
US English (models)	46R8053	1
French (models)	46R8057	1
German (models)	46R8060	1
Spanish (models)	46R8056	1
Brazilian (models)	46R8059	1
Italian (models)	46R8058	1
Japanese (models)	64Y6207	1
Dutch (models)	46R8070	1
Czech (models)	46R8074	1
Polish (models)	46R8065	1
Russian (models)	46R8064	1
Turkish (models)	46R8069	1
Hungarian (models)	46R8073	1
Greek (models)	46R8068	1
Portuguese (models)	46R8077	1
Hong Kong (models)	46R8061	1
Traditional Chinese (models)	46R8063	1
Korean (models)	46R8067	1
Slovenian (models)	46R8071	1
Russian English (models)	46R8078	1
Hebrew (models)	46R8066	1
Arabic Localized (models)	46R8062	1
Slovakian (models)	46R8075	1
Simplified Chinese (models)	46R8055	1
Serbian-Latin (models)	46R8076	1
Romanian (models)	46R8072	1
Belgium-Luxembourg (models)	53Y4230	1
Switzerland (models)	53Y4231	1
Nordics (models)	53Y4232	1

<b>9426 Vista Business 32 Recovery CDs</b>	<b>FRU#</b>	<b>CRU</b>
US English (models)	46R8079	1
French (models)	46R8083	1
German (models)	46R8086	1

<b>9426 Vista Business 32 Recovery CDs</b>	<b>FRU#</b>	<b>CRU</b>
Spanish (models)	46R8082	1
Brazilian (models)	46R8085	1
Italian (models)	46R8084	1
Japanese (models)	64Y6205	1
English for Indian (models)	64Y9435	1
Dutch (models)	46R8096	1
Czech (models)	46R8100	1
Polish (models)	46R8091	1
Russian (models)	46R8090	1
Turkish (models)	46R8095	1
Hungarian (models)	46R8099	1
Greek (models)	46R8094	1
Portuguese (models)	46R8103	1
Simplified Chinese (models)	46R8081	1
Hong Kong (models)	46R8087	1
Traditional Chinese (models)	46R8089	1
Korean (models)	46R8093	1
Slovenian (models)	46R8097	1
Russian English (models)	46R8104	1
Romanian (models)	46R8098	1
Sebian-Latin (models)	46R8102	1
Hebrew (models)	46R8092	1
Arabic Localized (models)	46R8088	1
Slovakian (models)	46R8101	1
Belgium-Luxembourg (models)	53Y4233	1
Switzerland (models)	53Y4234	1
Nordics (models)	53Y4235	1

<b>9426 Vista Premium 32 Recovery CDs</b>	<b>FRU#</b>	<b>CRU</b>
US English (models)	46R8141	1
French (models)	46R8143	1
German (models)	46R8144	1
Spanish (models)	46R8145	1
Italian (models)	46R8146	1
Japanese (models)	64Y6208	1
Hong Kong (models)	46R8147	1
Korean (models)	46R8148	1
Athens Vista SP1 MUL 1 P/N's VHP32 (EN FR GR NL) (models)	53Y4236	1

<b>9426 Vista Premium 32 Recovery CDs</b>	<b>FRU#</b>	<b>CRU</b>
Athens Vista SP1 MUL 2 P/N's VHP32 (EN FR GR IT) (models)	53Y4237	1
Athens Vista SP1 MUL 3P/N's VHP32 (EN DK FI NO SV) (models)	53Y4238	1

<b>9426 Vista Business 64 Recovery CDs</b>	<b>FRU#</b>	<b>CRU</b>
US English (models)	46R8131	1
French (models)	46R8134	1
German (models)	46R8135	1
Japanese (models)	64Y6210	1
Simplified Chinese (models)	46R8133	1

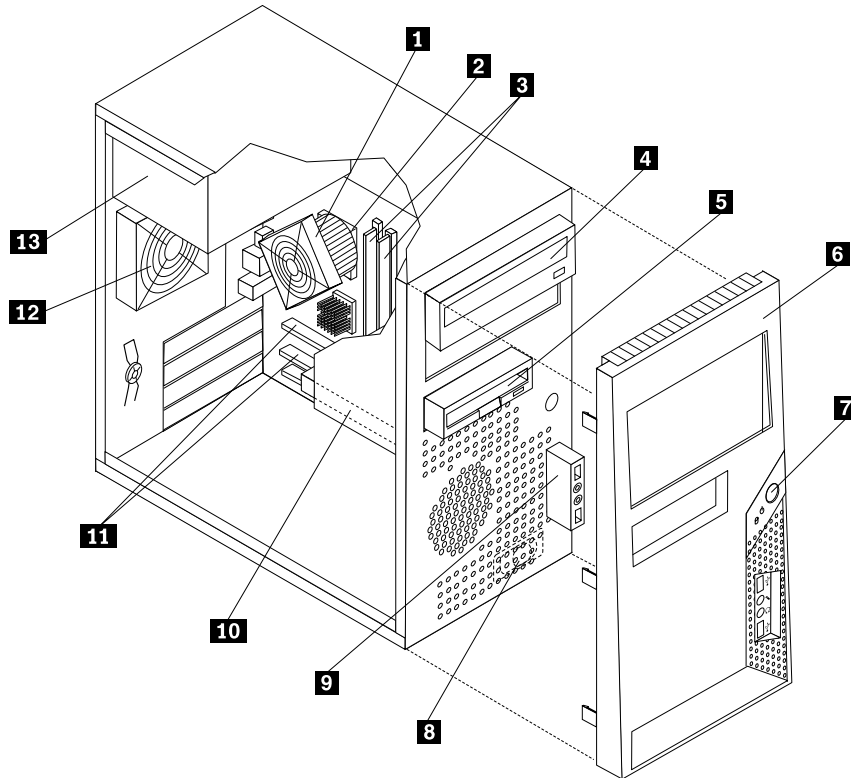
<b>9426 Vista Ultimate 32 Recovery CDs</b>	<b>FRU#</b>	<b>CRU</b>
US English (models)	46R8149	1
Japanese (models)	64Y6209	1
French (models)	46R8151	1
German (models)	46R8152	1
Spanish (models)	46R8153	1
Italian (models)	46R8154	1
Hong Kong (models)	46R8155	1
Arabic Localized (models)	46R8156	1
Athens Vista SP1 MUL 1 P/N's VU32 (EN DK FI NO SV) (models)	53Y4239	1

<b>9426 Vista Starter 32 Recovery CDs</b>	<b>FRU#</b>	<b>CRU</b>
English (models)	46R8052	1

<b>9426 Vista Home Premium 64 Recovery CDs</b>	<b>FRU#</b>	<b>CRU</b>
US (models)	71Y6634	1
French (models)	71Y6635	1

<b>9426 Win7 Professional 32</b>	<b>FRU#</b>	<b>CRU</b>
Brazilian Portuguese (all models)	89Y0454	1

## Machine Type 9485



Item #	9485 FRUs	FRU#	CRU
1	AMD 89W&65W 4Pin heatsink (all models)	41R6407	2
2	Microprocessor, Athlon64 4800+ X2 (2.50GHz, 1M L2, 65W) G1 65nm (models)	43C4093	N
2	Microprocessor, Athlon64 5000+ X2 (2.60GHz, 1M L2, 65W) G1 65nm (models)	41X1427	N
2	Microprocessor, Athlon 1640B (2.70GHz, 512K L2, 45W) G2 65nm (models B3H A4U A4F E4U E4F)	45R6488	N
2	Microprocessor, Athlon64 5200+ X2 (2.70GHz, 1M L2, 65W) G1 65nm (models)	45C7502	N
2	Microprocessor, Athlon64 5400B X2(2.80GHz, 1M L2, 65W) G2 65nm (models D1H D6M D6A D6Q D6T D6K D7M D7A D7Q D7T D7K D8A D8Q A5G A1U A1F A1S A1P A1L A1D A1Y A1M A1A A1Q A1T A1C A1B A1H A1V A1K A1R F4M F4A F4Q F4T F4K E8U E8F E9U E9F J1U J1F)	45R6486	N
2	Microprocessor, Athlon64 5600+ X2 (2.90GHz, 1M L2, 89W) G2 65nm (models)	45C7504	N
2	Microprocessor, Athlon BE-2350 X2 (2.10GHz, 1M L2, 45W) G2 65nm (models)	43C6166	N
2	Microprocessor, Athlon BE-2400 X2 (2.30GHz, 1M L2, 45W) G2 65nm (models)	43C6165	N
2	Microprocessor, Athlon 4450B X2 (2.30GHz, 1M L2, 45W) G2 65nm (models H2A H2Q H2T H3K F8U F8F F9U F9F H1U H1F F7G)	46R3624	N
2	Microprocessor, Athlon 5000B X2 (2.60GHz, 1M L2, 65W) G2 65nm (models B2H D2M D2A D2Q D2T D3M D3A D3Q D3T D5A D5Q E2U E2F A6M A6A A6Q A6T A6K A7A A7Q B7V A9S A9P A9D A9Y B5V F3M F3A F3Q F3T E5U E5F E6U E6F E7U E7F)	46R3625	N
2	Microprocessor, Athlon 5200B X2 (2.70GHz, 1M L2, 65W) G2 65nm (models)	46R3626	N
2	Microprocessor, Athlon LE-1660 (2.8 GHz, 512K L2, 45W) G2 65nm (models CTO)	53Y7722	N

Item #	9485 FRUs	FRU#	CRU
2	Microprocessor, Athlon X2 5600B (2.9 GHz, 1M L2, 65W) G2 65nm (models CTO)	53Y7718	N
2	Microprocessor, Athlon64 X2 6000+ (3.1 GHz, 1M L2, 89W) G2 65nm (models CTO)	53Y7720	N
2	Microprocessor, Athlon II X2 240 (2.8GHz, 2M Total Cache, AM3, 65W) C2 45nm (models 91Z)	64Y8012	N
2	Microprocessor, Athlon II X2 245 (2.9GHz, 2M Total Cache, AM3, 65W) C2 45nm (models 91Z)	64Y8013	N
2	Microprocessor, Athlon II X3 435 (2.9GHz, 1.5M Total Cache, AM3, 95W) C2 45nm (models 91Z)	64Y8020	N
2	Microprocessor, Phenom II X2 550 (3.1GHz, 7M Total Cache, AM3, 80W) C2 45nm (models 91Z)	64Y8024	N
2	Microprocessor, Phenom II X2 555 (3.2 GHz, 7M Total Cache, AM3, 80W) C3 45nm (models 91Z)	89Y0793	N
2	Microprocessor, Phenom II X3 720 (2.8GHz, 7.5M Total Cache, AM3, 95W) C2 45nm (models 91Z)	64Y8030	N
2	Microprocessor, Phenom II X4 910 (2.6GHz, 8M Total Cache, AM3, 95W) C2 45nm (models 91Z)	64Y8035	N
2	Microprocessor, Sempron LE-1250 (2.20GHz, 512K L2, 45W) G2 65nm (models)	43C6168	N
2	Microprocessor, Sempron LE-1300 (2.30GHz, 512K L2, 45W) G2 65nm (models D4A D4Q A8S A8P A8D A8Y B6V)	43C8986	N
2	Microprocessor, Sempron 2100 X2 (1.80GHz, 512K L2, 65W) G2 65nm (models)	46R3629	N
2	Microprocessor, Sempron 2200 X2 (2.00GHz, 512K L2, 65W) G2 65nm (models)	46R3630	N
2	Microprocessor, Sempron X2 2300 (2.2GHz, 512K L2, 65W) G2 65nm (models CTO)	53Y7724	N
2	Microprocessor, Sempron 140 (2.7GHz, 1M Total Cache, AM3, 45W) C2 45nm (models 91Z)	71Y6414	N
2	Microprocessor, Phenom 8600B (2.30GHz, 1.5M L2, 2M L3, 95W) stepping B2 65nm (models B8G B8C A2U A2F B1S B1D B1Y F5M F5A F5Q F5T F5K H8U H8F H9U H9F)	45R6494	N
2	Microprocessor, Phenom 9550 (2.20GHz, 2M L2, 2M L3, 95W) stepping B3 65nm (models)	45R6496	N
2	Microprocessor, Phenom 9650 (2.30GHz, 2M L2, 2M L3, 95W) stepping B3 65nm (models)	45R6498	N
2	Microprocessor, Phenom 9600B (2.30GHz, 2M L2, 2M L3, 95W) stepping B2 65nm (models B4V B9G B9A B9C E3S E3P)	45R6500	N
2	Microprocessor, Phenom 8450 (2.10GHz, 1.5M L2, 2M L3, 95W) B3 65nm (models E1S E1P E1D E1Y H4A H4Q H5M H5A H5Q H5T H5K H6M H6A H6Q H6T H6K F1U F1F F2U F2F F6G)	45R6490	N
2	Microprocessor, Phenom X3 8600B (2.3GHz, 1.5M L2, 2M L3, 95W) B3 65nm (models)	45R6494	N
2	Microprocessor, Phenom 9550 (2.20GHz, 2M L2, 2M L3, 95W) stepping B3 65nm (models CTO)	53Y7709	N
2	Microprocessor, Phenom X4 9750B (2.4 GHz, 512K / 2M L2, 95W) B3 65nm (models CTO)	53Y7711	N
3	Memory module, 512MB PC2-5300 (667MHz) DDR2 SDRAM (models)	41X4255	2
3	Memory module, 512MB PC2-6400 (800MHz) DDR2 SDRAM (models)	41X1079	2

Item #	9485 FRUs	FRU#	CRU
3	Memory module, 1GB PC2-6400 (667MHz) DDR2 SDRAM (models D1H D2M D2A D2Q D2T D3M D3A D3Q D3T D5A D5Q D6M D6A D6Q D6T D6K D7M D7A D7Q D7T D7K D8A D8Q E2U E2F A6M A6A A6Q A6T A6K A7A A7Q A5G B8G B8C B9G B9A B9C A4U A4F A1U A1F A1S A1P A1L A1D A1Y A1M A1A A1Q A1T A1C A1B A1H A1V A1K A1R E1S E1P E1D E1Y F3M F3A F3Q F3T F4M F4A F4Q F4T F4K F5M F5A F5Q F5T F5K H2A H2Q H2T H3K H4A H4Q H5M H5A H5Q H5T H5K H6M H6A H6Q H6T H6K F6G F7G)	41X1080	2
3	Memory module, 2GB PC2-6400 (667MHz) DDR2 SDRAM (models A2U A2F H8U H8F)	41X1081	2
4	DVD-ROM Drive - 16x/48x - SATA Vista & non-Vista (models B3H D3M D3A D3Q D3T D4A D4Q D5A D5Q B4V B7V A4U A4F A8S A8P A8D A8Y B5V B6V F9U F9F E4U E4F E5U E5F E8U E8F F1U F1F)	41N3325	2
4	DVD-ROM Drive - 16x/48x - With DVD playback software (models B3H D3M D3A D3Q D3T D4A D4Q D5A D5Q B4V B7V A4U A4F A8S A8P A8D A8Y B5V B6V F9U F9F E4U E4F E5U E5F E8U E8F F1U F1F)	71Y5543	2
4	DVD Recordable/CD-RW Rambo 8 - SATA Vista & non-Vista (models B2H D1H D2M D2A D2Q D2T D6M D6A D6Q D6T D6K D7M D7A D7Q D7T D7K D8A D8Q E2U E2F A6M A6A A6Q A6T A6K A7A A7Q A5G B8G B8C B9G B9A B9C A2U A2F A9S A9P A9D A9Y B1S B1D B1Y A1U A1F A1S A1P A1L A1D A1Y A1M A1A A1Q A1T A1C A1B A1H A1V A1K A1R E3S E3P E1S E1P E1D E1Y F3M F3A F3Q F3T F4M F4A F4Q F4T F4K F5M F5A F5Q F5T F5K H2A H2Q H2T H3K H4A H4Q H5M H5A H5Q H5T H5K H6M H6A H6Q H6T H6K F8U F8F H1U H1F E6U E6F E7U E7F E9U E9F F2U F2F F6G F7G H8U H8F)	43C1042	2
4	DVD-RW/CD-RW Rambo 8 - With write software (models B2H D1H D2M D2A D2Q D2T D6M D6A D6Q D6T D6K D7M D7A D7Q D7T D7K D8A D8Q E2U E2F A6M A6A A6Q A6T A6K A7A A7Q A5G B8G B8C B9G B9A B9C A2U A2F A9S A9P A9D A9Y B1S B1D B1Y A1U A1F A1S A1P A1L A1D A1Y A1M A1A A1Q A1T A1C A1B A1H A1V A1K A1R E3S E3P E1S E1P E1D E1Y F3M F3A F3Q F3T F4M F4A F4Q F4T F4K F5M F5A F5Q F5T F5K H2A H2Q H2T H3K H4A H4Q H5M H5A H5Q H5T H5K H6M H6A H6Q H6T H6K F8U F8F H1U H1F E6U E6F E7U E7F E9U E9F F2U F2F F6G F7G H8U H8F)	71Y5545	2
5	Diskette drive, 3.5" 1.44MB 2 Mode FDD with Bezel and cable (models A9S A9P A9D A9Y )	40Y9105	2
5	Diskette drive, 3.5" 1.44MB 2 Mode FDD with Bezel and cable (models A9S A9P A9D A9Y )	40Y9107	2
6	Bezel assembly, without IBM mark (all models)	41R6243	2
7	Power switch/LED assembly (all models)	41N5284	2
8	Speaker assembly, soldered terminals (all models)	39P5023	2
9	Front audio/USB assembly (all models)	41N8054	2
10	Hard disk drive, SATA 80GB 7200RPM/3Gb/8MB (models)	40Y9034	2
10	Hard disk drive, SATA 160GB 7200RPM/3Gb/8MB (models B3H D1H D2M D2A D2Q D2T D3M D3A D3Q D3T D4A D4Q D5A D5Q E2U E2F A6M A6A A6Q A6T A6K A7A A7Q A5G B8G B8C A2U A2F A4U A4F A8S A8P A8D A8Y A9S A9P A9D A9Y A1U A1F A1S A1P A1L A1D A1Y A1M A1A A1Q A1T A1C A1B A1H A1V A1K A1R E1S E1P E1D E1Y F3M F3A F3Q F3T F4M F4A F4Q F4T F4K H2A H2Q H2T H3K H4A H4Q F8U F8F F9U F9F H1U H1F E4U E4F E5U E5F E6U E6F E7U E7F F1U F1F F2U F2F H8U H8F H9U H9F J1U J1F)	40Y9035	2

Item #	9485 FRUs	FRU#	CRU
10	Hard disk drive, SATA 160GB 7200RPM/3Gb/8MB (models B3H D1H D2M D2A D2Q D2T D3M D3A D3Q D3T D4A D4Q D5A D5Q E2U E2F A6M A6A A6Q A6T A6K A7A A7Q A5G B8G B8C A2U A2F A4U A4F A8S A8P A8D A8Y A9S A9P A9D A9Y A1U A1F A1S A1P A1L A1D A1Y A1M A1A A1Q A1T A1C A1B A1H A1V A1K A1R E1S E1P E1D E1Y F3M F3A F3Q F3T F4M F4A F4Q F4T F4K H2A H2Q H2T H3K H4A H4Q F8U F8F F9U F9F H1U H1F E4U E4F E5U E5F E6U E6F E7U E7F F1U F1F F2U F2F H8U H8F H9U H9F J1U J1F)	53Y6837	2
10	Hard disk drive, SATA 250GB 7200RPM/3Gb/8MB (models B2H D6M D6A D6Q D6T D6K D7M D7A D7Q D7T D7K D8A D8Q B4V B7V B9G B9A B9C B1S B1D B1Y B5V B6V E3S E3P F5M F5A F5Q F5T F5K H5M H5A H5Q H5T H5K H6M H6A H6Q H6T H6K E8U E8F E9U E9F)	45K0408	2
10	Hard disk drive, SATA 320GB 7200rpm SATA/8MB (models F6G F7G)	45K0409	2
10	Hard disk drive, SATA 500GB 7200RPM/3Gb/s/8MB (models)	45K0410	2
10	Hard disk drive, SATA 250GB 7200RPM/3Gb/8MB (models B2H D6M D6A D6Q D6T D6K D7M D7A D7Q D7T D7K D8A D8Q B4V B7V B9G B9A B9C B1S B1D B1Y B5V B6V E3S E3P F5M F5A F5Q F5T F5K H5M H5A H5Q H5T H5K H6M H6A H6Q H6T H6K E8U E8F E9U E9F)	40Y9036	2
10	Hard disk drive, SATA 320GB 7200rpm SATA/8MB (models F6G F7G)	87H4891	2
10	Hard disk drive, SATA 500GB 7200RPM/3Gb/s/8MB (models)	41X5582	2
11	System board, Planar AMD RS780 mATX (TOWER & ROCKYS) (models B3H B2H D1H D2M D2A D2Q D2T D3M D3A D3Q D3T D4A D4Q D5A D5Q D6M D6A D6Q D6T D6K D7M D7A D7Q D7T D7K D8A D8Q E2U E2F A6M A6A A6Q A6T A6K A7A A7Q B4V B7V A5G B8G B8C B9G B9A B9C A2U A2F A4U A4F A8S A8P A8D A8Y A9S A9P A9D A9Y B1S B1D B1Y A1U A1F A1S A1P A1L A1D A1Y A1M A1A A1Q A1T A1C A1B A1H A1V A1K A1R B5V B6V E3S E3P E1S E1P E1D E1Y F3M F3A F3Q F3T F4M F4A F4Q F4T F4K F5M F5A F5Q F5T F5K H2A H2Q H2T H3K H4A H4Q H5M H5A H5Q H5T H5K H6M H6A H6Q H6T H6K F8U F8F F9U F9F H1U H1F E4U E4F E5U E5F E6U E6F E7U E7F E8U E8F E9U E9F F1U F1F F2U F2F F6G F7G H8U H8F H9U H9F J1U J1F)	71Y5724	N
11	System board, Planar AMD RS780 mATX GA Level - TPM Disable for Russia (models F6G F7G)	71Y4994	N
11	System board, Planar AMD RS780 mATX GA Level - Support Phenom II X2 555 (models 91Z)	89Y1346	N
11	System board, Planar AMD RS780 mATX GA Level -Support Win7 and AM3 C2 CPU (models 91Z)	89Y1809	N
12	System fan, rear (all models)	41R6269	2
12	System fan, rear (all models)	43N9908	2
13	Power supply, ATX 280W (Robust, WW) (models B3H B2H D1H D2M D2A D2Q D2T D3M D3A D3Q D3T D4A D4Q D5A D5Q D6M D6A D6Q D6T D6K D7M D7A D7Q D7T D7K D8A D8Q E2U E2F A6M A6A A6Q A6T A6K A7A A7Q B4V B7V A5G B8G B8C B9G B9A B9C A2U A2F A4U A4F A8S A8P A8D A8Y A9S A9P A9D A9Y B1S B1D B1Y A1U A1F A1S A1P A1L A1D A1Y A1M A1A A1Q A1T A1C A1B A1H A1V A1K A1R B5V B6V E3S E3P E1S E1P E1D E1Y F3M F3A F3Q F3T F4M F4A F4Q F4T F4K F5M F5A F5Q F5T F5K H2A H2Q H2T H3K H4A H4Q H5M H5A H5Q H5T H5K H6M H6A H6Q H6T H6K F8U F8F F9U F9F H1U H1F E4U E4F E5U E5F E6U E6F E7U E7F E8U E8F E9U E9F F1U F1F F2U F2F F6G F7G H8U H8F H9U H9F J1U J1F)	41A9684	2

Item #	9485 FRUs	FRU#	CRU
13	Power supply, ATX 280W 80% (Robust, WW?not;JP) (models B3H B2H D1H D2M D2A D2Q D2T D3M D3A D3Q D3T D4A D4Q D5A D5Q D6M D6A D6Q D6T D6K D7M D7A D7Q D7T D7K D8A D8Q E2U E2F A6M A6A A6Q A6T A6K A7A A7Q B4V B7V A5G B8G B8C B9G B9A B9C A2U A2F A4U A4F A8S A8P A8D A8Y A9S A9P A9D A9Y B1S B1D B1Y A1U A1F A1S A1P A1L A1D A1Y A1M A1A A1Q A1T A1C A1B A1H A1V A1K A1R B5V B6V E3S E3P E1S E1P E1D E1Y F3M F3A F3Q F3T F4M F4A F4Q F4T F4K F5M F5A F5Q F5T F5K H2A H2Q H2T H3K H4A H4Q H5M H5A H5Q H5T H5K H6M H6A H6Q H6T H6K F8U F8F F9U F9F H1U H1F E4U E4F E5U E5F E6U E6F E7U E7F E8U E8F E9U E9F F1U F1F F2U F2F F6G F7G H8U H8F H9U H9F J1U J1F)	41A9665	2
13	Power supply, ATX 310W (Robust, WW, JP) (models B3H B2H D1H D2M D2A D2Q D2T D3M D3A D3Q D3T D4A D4Q D5A D5Q D6M D6A D6Q D6T D6K D7M D7A D7Q D7T D7K D8A D8Q E2U E2F A6M A6A A6Q A6T A6K A7A A7Q B4V B7V A5G B8G B8C B9G B9A B9C A2U A2F A4U A4F A8S A8P A8D A8Y A9S A9P A9D A9Y B1S B1D B1Y A1U A1F A1S A1P A1L A1D A1Y A1M A1A A1Q A1T A1C A1B A1H A1V A1K A1R B5V B6V E3S E3P E1S E1P E1D E1Y F3M F3A F3Q F3T F4M F4A F4Q F4T F4K F5M F5A F5Q F5T F5K H2A H2Q H2T H3K H4A H4Q H5M H5A H5Q H5T H5K H6M H6A H6Q H6T H6K F8U F8F F9U F9F H1U H1F E4U E4F E5U E5F E6U E6F E7U E7F E8U E8F E9U E9F F1U F1F F2U F2F F6G F7G H8U H8F H9U H9F J1U J1F)	41A9726	2
13	Power supply, 220W (Robust, WW) (models B3H B2H D1H D2M D2A D2Q D2T D3M D3A D3Q D3T D4A D4Q D5A D5Q D6M D6A D6Q D6T D6K D7M D7A D7Q D7T D7K D8A D8Q E2U E2F A6M A6A A6Q A6T A6K A7A A7Q B4V B7V A5G B8G B8C B9G B9A B9C A2U A2F A4U A4F A8S A8P A8D A8Y A9S A9P A9D A9Y B1S B1D B1Y A1U A1F A1S A1P A1L A1D A1Y A1M A1A A1Q A1T A1C A1B A1H A1V A1K A1R B5V B6V E3S E3P E1S E1P E1D E1Y F3M F3A F3Q F3T F4M F4A F4Q F4T F4K F5M F5A F5Q F5T F5K H2A H2Q H2T H3K H4A H4Q H5M H5A H5Q H5T H5K H6M H6A H6Q H6T H6K F8U F8F F9U F9F H1U H1F E4U E4F E5U E5F E6U E6F E7U E7F E8U E8F E9U E9F F1U F1F F2U F2F F6G F7G H8U H8F H9U H9F J1U J1F)	41A9689	N
13	Power supply, 220W only for JP (models)	41A9697	N
13	Power supply, 220W 80% (Robust, WW, JP) (models B3H B2H D1H D2M D2A D2Q D2T D3M D3A D3Q D3T D4A D4Q D5A D5Q D6M D6A D6Q D6T D6K D7M D7A D7Q D7T D7K D8A D8Q E2U E2F A6M A6A A6Q A6T A6K A7A A7Q B4V B7V A5G B8G B8C B9G B9A B9C A2U A2F A4U A4F A8S A8P A8D A8Y A9S A9P A9D A9Y B1S B1D B1Y A1U A1F A1S A1P A1L A1D A1Y A1M A1A A1Q A1T A1C A1B A1H A1V A1K A1R B5V B6V E3S E3P E1S E1P E1D E1Y F3M F3A F3Q F3T F4M F4A F4Q F4T F4K F5M F5A F5Q F5T F5K H2A H2Q H2T H3K H4A H4Q H5M H5A H5Q H5T H5K H6M H6A H6Q H6T H6K F8U F8F F9U F9F H1U H1F E4U E4F E5U E5F E6U E6F E7U E7F E8U E8F E9U E9F F1U F1F F2U F2F F6G F7G H8U H8F H9U H9F J1U J1F)	41A9670	N
13	Power supply, 280W TFX ,Active PFC, (Robust, WW, JP) (models B3H B2H D1H D2M D2A D2Q D2T D3M D3A D3Q D3T D4A D4Q D5A D5Q D6M D6A D6Q D6T D6K D7M D7A D7Q D7T D7K D8A D8Q E2U E2F A6M A6A A6Q A6T A6K A7A A7Q B4V B7V A5G B8G B8C B9G B9A B9C A2U A2F A4U A4F A8S A8P A8D A8Y A9S A9P A9D A9Y B1S B1D B1Y A1U A1F A1S A1P A1L A1D A1Y A1M A1A A1Q A1T A1C A1B A1H A1V A1K A1R B5V B6V E3S E3P E1S E1P E1D E1Y F3M F3A F3Q F3T F4M F4A F4Q F4T F4K F5M F5A F5Q F5T F5K H2A H2Q H2T H3K H4A H4Q H5M H5A H5Q H5T H5K H6M H6A H6Q H6T H6K F8U F8F F9U F9F H1U H1F E4U E4F E5U E5F E6U E6F E7U E7F E8U E8F E9U E9F F1U F1F F2U F2F F6G F7G H8U H8F H9U H9F J1U J1F)	41A9705	N

The FRUs listed in the following tables are not illustrated.

9485 FRUs	FRU#	CRU
Cover (all models)	41N8050	2
Retainer, Card Reader (all models)	41R2913	2
Front Fan AVC (all models)	41R4791	2



<b>9485 FRUs</b>	<b>FRU#</b>	<b>CRU</b>
HDD Tray (all models)	41R6291	2
FDD cable, 325mm, (all models)	41A7182	2
Cabel -SATA 457mm (RoHS) (all models)	43N9013	2
Cabel-SATA 250mm (RoHS) (all models)	43N9012	2
Optional HDD Bracket Asm (all models)	41R6106	2
EMC Shield (all models)	41N8080	2
EMC Shield (all models)	41N8078	2
Rear IO shield ATX,for RX 780,Atlantic (all models)	41R6383	N
Intrusion Switch Asm (all models)	41R6116	2
Temp Sense cable for Armstrong (460 mm) (all models)	41R2509	2
Blank 5.25" Bezel (all models)	41N8077	2
Asm Chassis Without IBM Mark Atlantic (all models)	41R6408	5
ODD/FDD/Cardreader Retainers (all models)	43N9351	2
AMD thermal KIT (all models)	41R6407	2
Cable Clip, FW-6D (all models)	43N9462	2

<b>9485 Keyboards (Lenovo Preferred Pro USB -- without hub)</b>	<b>FRU#</b>	<b>CRU Tier</b>
USB FULL--US English (models B3H B2H D1H D2M D2A D2Q D3M D3A D3Q D4A D4Q D5A D5Q D6M D6A D6Q D7M D7A D7Q D8A D8Q E2U A6M A6A A6Q A7A A7Q A5G B8G B9G B9A A2U A4U A1U A1L A1M A1A A1Q A1H A1R F3M F3A F3Q F4M F4A F4Q F5M F5A F5Q H2A H2Q H4A H4Q H5M H5A H5Q H6M H6A H6Q F8U F9U H1U E4U E5U E6U E7U E8U E9U F1U F2U F6G F7G H8U H9U J1U)	41A5289	1
USB FULL--Arabic (models A5G B8G B9G F6G F7G)	41A5290	1
USB FULL--Arabic/French (models A5G B8G B9G F6G F7G)	41A5291	1
USB FULL--Belgian/French (models A5G A5G B8G B8G B9G B9G F6G F6G F7G F7G)	41A5292	1
USB FULL--Belgium English (models A5G B8G B9G F6G F7G)	41A5293	1
USB FULL--Brazilian Portuguese (models A8P A9P A1P E3P E1P )	41A5294	1
USB FULL--Bulgarian (models A5G B8G B9G F6G F7G)	41A5295	1
USB FULL--Chinese/US (models B4V B7V A1B A1V B5V B6V)	41A5296	1
USB FULL--Czech (ABB) (models A5G B8G B9G F6G F7G)	41A5297	1
USB FULL--Danish (models A5G B8G B9G F6G F7G)	41A5298	1
USB FULL--Dutch (models A5G B8G B9G F6G F7G)	41A5299	1
USB FULL--French (models A5G B8G B9G F6G F7G)	41A5300	1
USB FULL--French Canadian (models E2F A5G B8G B9G A2F A4F A1F F8F F9F H1F E4F E5F E6F E7F E8F E9F F1F F2F F6G F7G H8F H9F J1F)	41A5301	1
USB FULL--French Canadian (models E2F A5G B8G B9G A2F A4F A1F F8F F9F H1F E4F E5F E6F E7F E8F E9F F1F F2F F6G F7G H8F H9F J1F)	41A5302	1
USB FULL--German (models A5G B8G B9G F6G F7G)	41A5303	1
USB FULL--Greek (models A5G B8G B9G F6G F7G)	41A5304	1
USB FULL--Greek/US (models A5G B8G B9G F6G F7G)	41A5305	1

<b>9485 Keyboards (Lenovo Preferred Pro USB -- without hub)</b>	<b>FRU#</b>	<b>CRU Tier</b>
USB FULL--Hebrew (models A5G B8G B9G F6G F7G)	41A5306	1
USB FULL--Hungarian (models A5G B8G B9G F6G F7G)	41A5307	1
USB FULL--Iceland (models A5G B8G B9G F6G F7G)	41A5308	1
USB FULL--Italy (models A5G B8G B9G F6G F7G)	41A5309	1
USB FULL--Japanese (models)	41A5310	1
USB FULL--Korean (models D6K D7K A6K A1K F4K F5K H3K H5K H6K)	41A5311	1
USB FULL--LA Spanish (models A8S A8D A8Y A9S A9D A9Y B1S B1D B1Y A1S A1D A1Y E3S E1S )	41A5312	1
USB FULL--Norwegian (models A5G B8G B9G F6G F7G)	41A5313	1
USB FULL--Polish (models A5G B8G B9G F6G F7G)	41A5314	1
USB FULL--Portugese (models A5G B8G B9G F6G F7G)	41A5315	1
USB FULL--Romanian (models A5G B8G B9G F6G F7G)	41A5317	1
USB FULL--Russian/Cyrillic (models A5G B8G B9G F6G F7G)	41A5318	1
USB FULL--Serbian/Cyrillic (models A5G B8G B9G F6G F7G)	41A5319	1
USB FULL--Slovak (models A5G B8G B9G F6G F7G)	41A5320	1
USB FULL--Spanish (models A5G B8G B9G F6G F7G)	41A5321	1
USB FULL--Swedish/Finnish (models A5G B8G B9G F6G F7G)	41A5322	1
USB FULL--Swiss F/G (models A5G B8G B9G F6G F7G)	41A5323	1
USB FULL--Thailand (models D2T D3T D6T D7T A6T A1T F3T F4T F5T H2T H5T H6T)	41A5324	1
USB FULL--Turkish (models A5G B8G B9G F6G F7G)	41A5325	1
USB FULL--Turkish (models A5G B8G B9G F6G F7G)	41A5326	1
USB FULL--UK English (models A5G B8G B9G F6G F7G)	41A5327	1
USB FULL--US Euro (models A5G B8G B9G F6G F7G)	41A5328	1
USB FULL--Slovenian (models)	41A5329	1

<b>9485 Keyboards (Lenovo Fingerprint Reader USB)</b>	<b>FRU#</b>	<b>CRU Tier</b>
US English (models)	41R0038	1
Arabic (models)	41R0039	1
Arabic/French (models)	41R0040	1
Belgian/French (models)	41R0041	1
Belgium English (models)	41R0042	1
Brazilian Portuguese (models)	41R0043	1
Bulgarian (models)	41R0044	1
Chinese/US (models)	41R0045	1
Czech (ABB) (models)	41R0046	1
Danish (models)	41R0047	1
Dutch (models)	41R0048	1
French (models)	41R0049	1

<b>9485 Keyboards (Lenovo Fingerprint Reader USB)</b>	<b>FRU#</b>	<b>CRU Tier</b>
French Canadian (models)	41R0050	1
French Canadian (models)	41R0051	1
German (models)	41R0052	1
Greek (models)	41R0053	1
Greek/US (models)	41R0054	1
Hebrew (models)	41R0055	1
Hungarian (models)	41R0056	1
Iceland (models)	41R0057	1
Italy (models)	41R0058	1
Japanese (models)	41R0059	1
Korean (models)	41R0060	1
LA Spanish (models)	41R0061	1
Norwegian (models)	41R0062	1
Polish (models)	41R0063	1
Portuguese (models)	41R0064	1
Romanian (models)	41R0065	1
Romanian (models)	41R0066	1
Russian/Cyrillic (models)	41R0067	1
Serbian/Cyrillic (models)	41R0068	1
Slovak (models)	41R0069	1
Spanish (models)	41R0070	1
Swedish/Finnish (models)	41R0071	1
Swiss F/G (models)	41R0072	1
Thailand (models)	41R0073	1
Turkish (models)	41R0074	1
Turkish (models)	41R0075	1
UK English (models)	41R0076	1
US Euro (models)	41R0077	1
Slovenian (models)	41R0078	1

<b>9485 Keyboards (Lenovo Preferred Pro PS/2 Full Size)</b>	<b>FRU#</b>	<b>CRU Tier</b>
PS/2 Full--US English (models)	41A5039	1
PS/2 Full--Arabic (models)	41A5040	1
PS/2 Full--Arabic/French (models)	41A5041	1
PS/2 Full--Belgian/French (models)	41A5042	1
PS/2 Full--Belgium English (models)	41A5043	1
PS/2 Full--Brazilian Portuguese (models)	41A5044	1
PS/2 Full--Bulgarian (models)	41A5045	1

<b>9485 Keyboards (Lenovo Preferred Pro PS/2 Full Size)</b>	<b>FRU#</b>	<b>CRU Tier</b>
PS/2 Full--Chinese/US (models)	41A5046	1
PS/2 Full--Czech (ABB) (models)	41A5047	1
PS/2 Full--Danish (models)	41A5048	1
PS/2 Full--Dutch (models)	41A5049	1
PS/2 Full--French (models)	41A5050	1
PS/2 Full--French Canadian (models)	41A5051	1
PS/2 Full--French Canadian (models)	41A5052	1
PS/2 Full--German (models)	41A5053	1
PS/2 Full--Greek (models)	41A5054	1
PS/2 Full--Greek/US (models)	41A5080	1
PS/2 Full--Hebrew (models)	41A5055	1
PS/2 Full--Hungarian (models)	41A5056	1
PS/2 Full--Iceland (models)	41A5057	1
PS/2 Full--Italy (models)	41A5058	1
PS/2 Full--Japanese (models)	41A5059	1
PS/2 Full--Korean (models)	41A5060	1
PS/2 Full--LA Spanish (models)	41A5061	1
PS/2 Full--Norwegian (models)	41A5062	1
PS/2 Full--Polish (models)	41A5063	1
PS/2 Full--Portugese (models)	41A5064	1
PS/2 Full--Romanian (models)	41A5065	1
PS/2 Full--Russian/Cyrillic (models)	41A5066	1
PS/2 Full--Serbian/Cyrillic (models)	41A5067	1
PS/2 Full--Slovak (models)	41A5068	1
PS/2 Full--Spanish (models)	41A5069	1
PS/2 Full--Swedish/Finnish (models)	41A5070	1
PS/2 Full--Swiss F/G (models)	41A5071	1
PS/2 Full--Thailand (models)	41A5072	1
PS/2 Full--Turkish (models)	41A5073	1
PS/2 Full--Turkish (models)	41A5074	1
PS/2 Full--UK English (models)	41A5075	1
PS/2 Full--US Euro (models)	41A5076	1
PS/2 Full--Slovenian (models)	41A5077	1

<b>9485 mice</b>	<b>FRU#</b>	<b>CRU</b>
Optical Wheel Mouse (400DPI, USB) (models B3H B2H D1H D2M D2A D2Q D2T D3M D3A D3Q D3T D4A D4Q D5A D5Q D6M D6A D6Q D6T D6K D7M D7A D7Q D7T D7K D8A D8Q E2U E2F A6M A6A A6Q A6T A6K A7A A7Q B4V B7V A5G B8G B8C B9G B9A B9C A2U A2F A4U A4F A8S A8P A8D A8Y A9S A9P A9D A9Y B1S B1D B1Y A1U A1F A1S A1P A1L A1D A1Y A1M A1A A1Q A1T A1C A1B A1H A1V A1K A1R B5V B6V E3S E3P E1S E1P E1D E1Y F3M F3A F3Q F3T F4M F4A F4Q F4T F4K F5M F5A F5Q F5T F5K H2A H2Q H2T H3K H4A H4Q H5M H5A H5Q H5T H5K H6M H6A H6Q H6T H6K F8U F8F F9U F9F H1U H1F E4U E4F E5U E5F E6U E6F E7U E7F E8U E8F E9U E9F F1U F1F F2U F2F F6G F7G H8U H8F H9U H9F J1U J1F)	41U3013	1
Optical Wheel Mouse (400DPI, USB) (models B3H B2H D1H D2M D2A D2Q D2T D3M D3A D3Q D3T D4A D4Q D5A D5Q D6M D6A D6Q D6T D6K D7M D7A D7Q D7T D7K D8A D8Q E2U E2F A6M A6A A6Q A6T A6K A7A A7Q B4V B7V A5G B8G B8C B9G B9A B9C A2U A2F A4U A4F A8S A8P A8D A8Y A9S A9P A9D A9Y B1S B1D B1Y A1U A1F A1S A1P A1L A1D A1Y A1M A1A A1Q A1T A1C A1B A1H A1V A1K A1R B5V B6V E3S E3P E1S E1P E1D E1Y F3M F3A F3Q F3T F4M F4A F4Q F4T F4K F5M F5A F5Q F5T F5K H2A H2Q H2T H3K H4A H4Q H5M H5A H5Q H5T H5K H6M H6A H6Q H6T H6K F8U F8F F9U F9F H1U H1F E4U E4F E5U E5F E6U E6F E7U E7F E8U E8F E9U E9F F1U F1F F2U F2F F6G F7G H8U H8F H9U H9F J1U J1F)	41U3030	1
PS/2 Three Button ball mouse (41R0017) (models)	41R0018	1

<b>9485 Adapters and miscellaneous FRUs</b>	<b>FRU#</b>	<b>CRU</b>
Internal USB Memory Card Reader floppy bay (models)	41R3378	2
Internal 20 in 1 USB Memory Card Reader (models)	45R8139	1
NVIDIA GeForce 9300 GE 256M Full Height (DVI+VGA) (TOWER) (models CTO)	45R5494	2
ATI HD 2600XT 512MB 128BIT ATX (models)	43C0261	2
IEEE 1394 Firewire Adapter SFF (models)	41D2781	2
IEEE 1394 Firewire Adapter ATX (models)	41D2781	2
Soft Modem V.90/V.44 SFF (models)	29R9729	2
Soft Modem V.90/V.44 ATX (models)	29R9729	2
ATI HD 2400PRO 128MB 64BIT DMS59 ATX (models)	43C0259	2
ATI HD 2400XT 256MB 64BIT DMS59 ATX Secondary (models)	46R4160	2
Speaker Power brick - US, Canada, LA low voltage, ASEAN (models E2U A2U A4U A1U F8U F9U H1U E4U E5U E6U E7U E8U E9U F1U F2U H8U H9U J1U)	89P8571	1
Speaker Power brick - LA high voltage (non-APU) (models)	89P8575	1
Speaker Power brick - SIMPLIFIED -CHN, Thailand EMEA(models A5G B8G B8C B9G B9C A1C F6G F7G)	89P8581	1
Speaker Power brick - Japan (models)	89P8577	1
Speaker Power brick - Brazil (models)	89P8583	1
Speaker Power brick - Argentina (models)	41A4901	1
Speaker Power brick - ANZ (models D2M D3M D6M D7M A6M A1M F3M F4M F5M H5M H6M)	89P8579	1
Speaker Power brick - Korean (models)	41A4903	1
Speaker Power brick - Hong Kong, EMEA (models A5G B8G B9G F6G F7G)	89P8573	1
Speaker Power brick -TAIWAN-TC (models B4V B7V A1V B5V B6V)	41A4905	1
Speaker Power brick - India, South Africa (models D2Q D3Q D4Q D5Q D6Q D7Q D8Q A6Q A7Q A1Q F3Q F4Q F5Q H2Q H4Q H5Q H6Q)	89P8585	1
Dongle DMS Dule DMS-59 to dual VGA Cable (models)	42Y8181	2
Dongle DMS Dule DMS-59 to dual DVI Cable (models)	41X6398	2

<b>9485 Adapters and miscellaneous FRUs</b>	<b>FRU#</b>	<b>CRU</b>
Dongle DMS Dule DMS-59 to single VGA & single DVI Cable (models)	42Y8183	2
2-pc external speaker--primary (models)	41A5331	1
2-pc external speaker-secondary (models)	41A5334	1
DVI-I(M)-VGA(F) cord (models)	41R3342	2
Battery 3V- Lithium (models B3H B2H D1H D2M D2A D2Q D2T D3M D3A D3Q D3T D4A D4Q D5A D5Q D6M D6A D6Q D6T D6K D7M D7A D7Q D7T D7K D8A D8Q E2U E2F A6M A6A A6Q A6T A6K A7A A7Q B4V B7V A5G B8G B8C B9G B9A B9C A2U A2F A4U A4F A8S A8P A8D A8Y A9S A9P A9D A9Y B1S B1D B1Y A1U A1F A1S A1P A1L A1D A1Y A1M A1A A1Q A1T A1C A1B A1H A1V A1K A1R B5V B6V E3S E3P E1S E1P E1D E1Y F3M F3A F3Q F3T F4M F4A F4Q F4T F4K F5M F5A F5Q F5T F5K H2A H2Q H2T H3K H4A H4Q H5M H5A H5Q H5T H5K H6M H6A H6Q H6T H6K F8U F8F F9U F9F H1U H1F E4U E4F E5U E5F E6U E6F E7U E7F E8U E8F E9U E9F F1U F1F F2U F2F F6G F7G H8U H8F H9U H9F J1U J1F)	45C1566	1
HD 3470 256M 64bit DP ATX/LP (models)	46R1521	2
DP to DVI dongle (models)	43N9160	2
Bitland 88E8075 1000M PCIE DASH NIC FH (R)(Rocky) (models)	53Y4008	2
AMD Display Port card LP® (Rocky) (models)	53Y4002	1
MSI 9500GT 512MB 128BIT ATX (TOWER) (models)	46R1524	2

<b>9485 Power Cords</b>	<b>FRU#</b>	<b>CRU</b>
Power cord - US (models D2A D2T D3A D3T D4A D5A D6A D6T D7A D7T D8A E2U E2F A6A A6T A7A B9A A2U A2F A4U A4F A8S A8Y A9S A9Y B1S B1Y A1U A1F A1S A1L A1Y A1A A1T E3S E1S E1Y F3A F3T F4A F4T F5A F5T H2A H2T H4A H5A H5T H6A H6T F8U F8F F9U F9F H1U H1F E4U E4F E5U E5F E6U E6F E7U E7F E8U E8F E9U E9F F1U F1F F2U F2F H8U H8F H9U H9F J1U J1F)	41R3184	1
Power cord - US (models D2A D2T D3A D3T D4A D5A D6A D6T D7A D7T D8A E2U E2F A6A A6T A7A B9A A2U A2F A4U A4F A8S A8Y A9S A9Y B1S B1Y A1U A1F A1S A1L A1Y A1A A1T E3S E1S E1Y F3A F3T F4A F4T F5A F5T H2A H2T H4A H5A H5T H6A H6T F8U F8F F9U F9F H1U H1F E4U E4F E5U E5F E6U E6F E7U E7F E8U E8F E9U E9F F1U F1F F2U F2F H8U H8F H9U H9F J1U J1F)	41R3185	1
Power cord - China (models B8C B9C A1C)	41R3256	1
Power cord - China (models B8C B9C A1C)	41R3257	1
Power cord - Japanese and Japanese English (models)	41R3248	1
Power cord - Japanese and Japanese English (models)	41R3249	1
Power cord - Brazil (Portigese) (models A8P A9P A1P E3P E1P )	41R3270	1
Power cord - Brazil (Portigese) (models A8P A9P A1P E3P E1P )	41R3271	1
Power cord - LA High Volt (APU) (models)	41R3176	1
Power cord - LA High Volt (APU) (models)	41R3177	1
Power cord - ANZ (models)	41R3196	1
Power cord - ANZ (models)	41R3197	1
Power cord - Korea (models)	41R3260	1
Power cord - Korea (models)	41R3261	1
Power cord - UK, Ireland, Singapore, Malaysia, Brunei, Hongkong (models B3H B2H D1H A1B A1H)	41R3224	1
Power cord - UK, Ireland, Singapore, Malaysia, Brunei, Hongkong (models B3H B2H D1H A1B A1H)	41R3225	1

<b>9485 Power Cords</b>	<b>FRU#</b>	<b>CRU</b>
Power cord - Taiwan (models B4V B7V A1V B5V B6V )	41R3278	1
Power cord - Taiwan (models B4V B7V A1V B5V B6V )	41R3279	1
Power cord - Italy (models A5G B8G B9G A8S A8D A8Y A9S A9D A9Y B1S B1D B1Y A1S A1D A1Y E3S E1S E1D E1Y F6G F7G)	41R3232	1
Power cord - Italy (models A5G B8G B9G A8S A8D A8Y A9S A9D A9Y B1S B1D B1Y A1S A1D A1Y E3S E1S E1D E1Y F6G F7G)	41R3233	1
Power cord - Indonesia, Laos, Cambodia, Vietnam, Austria, Belgium, Croatia, Czechoslovakia, Finland, France, Germany, Hungary, Netherlands, Norway, Poland, Portugal, Romania, Spain, Sweden (models D2A D2T D3A D3T D4A D5A D6A D6T D7A D7T D8A E2U E2F A6A A6T A7A B9A A2U A2F A4U A4F A8S A8Y A9S A9Y B1S B1Y A1U A1F A1S A1L A1Y A1A A1T E3S E1S E1Y F3A F3T F4A F4T F5A F5T H2A H2T H4A H5A H5T H6A H6T F8U F8F F9U F9F H1U H1F E4U E4F E5U E5F E6U E6F E7U E7F E8U E8F E9U E9F F1U F1F F2U F2F H8U H8F H9U H9F J1U J1F)	41R3208	1
Power cord - Indonesia, Laos, Cambodia, Vietnam, Austria, Belgium, Croatia, Czechoslovakia, Finland, France, Germany, Hungary, Netherlands, Norway, Poland, Portugal, Romania, Spain, Sweden (models D2A D2T D3A D3T D4A D5A D6A D6T D7A D7T D8A E2U E2F A6A A6T A7A B9A A2U A2F A4U A4F A8S A8Y A9S A9Y B1S B1Y A1U A1F A1S A1L A1Y A1A A1T E3S E1S E1Y F3A F3T F4A F4T F5A F5T H2A H2T H4A H5A H5T H6A H6T F8U F8F F9U F9F H1U H1F E4U E4F E5U E5F E6U E6F E7U E7F E8U E8F E9U E9F F1U F1F F2U F2F H8U H8F H9U H9F J1U J1F)	41R3209	1
Power cord - Denmark (models A5G B8G B9G F6G F7G)	41R3212	1
Power cord - Denmark (models A5G B8G B9G F6G F7G)	41R3213	1
Power cord - Switzerland (models A5G B8G B9G F6G F7G)	41R3228	1
Power cord - Switzerland (models A5G B8G B9G F6G F7G)	41R3229	1
Power cord - Israel (models A5G B8G B9G F6G F7G)	41R3236	1
Power cord - Israel (models A5G B8G B9G F6G F7G)	41R3237	1
Power cord - South Africa (models D2M D2A D3M D3A D4A D5A D6M D6A D7M D7A D8A A6M A6A A7A A5G B8G B9G B9A A1M A1A F3M F3A F4M F4A F5M F5A H2A H4A H5M H5A H6M H6A F6G F7G)	41R3220	1
Power cord - South Africa (models D2M D2A D3M D3A D4A D5A D6M D6A D7M D7A D8A A6M A6A A7A A5G B8G B9G B9A A1M A1A F3M F3A F4M F4A F5M F5A H2A H4A H5M H5A H6M H6A F6G F7G)	41R3221	1
Power cord - India (models D2Q D3Q D4Q D5Q D6Q D7Q D8Q A6Q A7Q A1Q F3Q F4Q F5Q H2Q H4Q H5Q H6Q)	41R3341	1
Power cord - India (models D2Q D3Q D4Q D5Q D6Q D7Q D8Q A6Q A7Q A1Q F3Q F4Q F5Q H2Q H4Q H5Q H6Q)	41R3175	1
Power cord - Thailand (models)	43N9029	1
Power cord - Thailand (models)	43N9030	1
Power cord - Brazil (models)	43N9044	1

<b>9485 Windows XP Home Recovery CDs</b>	<b>FRU#</b>	<b>CRU</b>
US English/UK/Asia Pacific (models)	TBD	1
French/French Canadian (models)	TBD	1
Greek (models)	TBD	1
Italy (models)	TBD	1
Brazilian (models)	TBD	1

<b>9485 Windows XP Home Recovery CDs</b>	<b>FRU#</b>	<b>CRU</b>
Spanish/LA (models)	TBD	1
Danish (models)	TBD	1
Dutch (models)	TBD	1
Arabic (models)	TBD	1
SV (Swedish) (models)	TBD	1
Hebrew (models)	TBD	1
Finnish (models)	TBD	1
Norwegian (models)	TBD	1
Polish (models)	TBD	1
Portuguese (models)	TBD	1
Russian (models)	TBD	1
Russian English (models)	TBD	1
Hungarian (models)	TBD	1
Czech (models)	TBD	1
Turkish native (models)	TBD	1
Greek (models)	TBD	1
Japanese (models)	TBD	1
Simplified Chinese (models)	TBD	1
Taiwan-TC (models)	TBD	1
Hong Kong-TC (models)	TBD	1
Korean (models)	TBD	1

<b>9485 Windows XP Pro Recovery CDs</b>	<b>FRU#</b>	<b>CRU</b>
English (models)	64Y5588	1
Japanese (models)	64Y6202	1
Simplified Chinese (models)	64Y5590	1
Spanish (models)	64Y5591	1
French (models)	64Y5592	1
Italian (models)	64Y5593	1
Brazilian Portuguese (models)	64Y5594	1
German (models)	64Y5595	1
Hong Kong (models)	64Y5596	1
Swedish (models)	64Y5597	1
Danish (models)	64Y5598	1
Norway (models)	64Y5599	1
Finland (models)	64Y5600	1
Arabic (models)	64Y5601	1
Traditional Chinese (models)	64Y5602	1
Russian (models)	64Y5603	1



<b>9485 Windows XP Pro Recovery CDs</b>	<b>FRU#</b>	<b>CRU</b>
Polish (models)	64Y5604	1
Hebrew (models)	64Y5605	1
Korea (models)	64Y5606	1
Greek (models)	64Y5607	1
Turkish (models)	64Y5608	1
Dutch (models)	64Y5609	1
Slovenian (models)	64Y5610	1
Hungarian (models)	64Y5611	1
Czech (models)	64Y5612	1
Portuguese (models)	64Y5613	1
Russian English (models)	64Y5614	1
MUI Nordics (EN-DK-FI-NO-SV) (models CTO)	71Y6401	1
MUI Switz (EN-FR-GR-IT) (models CTO)	71Y6402	1
MUI Bel-Lux (EN-FR-GR-NL) (models CTO)	71Y6403	1

<b>9485 Vista Home Basic 32 Recovery CDs</b>	<b>FRU#</b>	<b>CRU</b>
US English (models)	46R8053	1
French (models)	46R8057	1
German (models)	46R8060	1
Spanish (models)	46R8056	1
Brazilian (models)	46R8059	1
Italian (models)	46R8058	1
Japanese (models)	64Y6207	1
Dutch (models)	46R8070	1
Czech (models)	46R8074	1
Polish (models)	46R8065	1
Russian (models)	46R8064	1
Turkish (models)	46R8069	1
Hungarian (models)	46R8073	1
Greek (models)	46R8068	1
Portuguese (models)	46R8077	1
Hong Kong (models)	46R8061	1
Traditional Chinese (models)	46R8063	1
Korean (models)	46R8067	1
Slovenian (models)	46R8071	1
Russian English (models)	46R8078	1
Hebrew (models)	46R8066	1
Arabic Localized (models)	46R8062	1
Slovakian (models)	46R8075	1

<b>9485 Vista Home Basic 32 Recovery CDs</b>	<b>FRU#</b>	<b>CRU</b>
Simplified Chinese (models)	46R8055	1
Serbian-Latin (models)	46R8076	1
Romanian (models)	46R8072	1
Belgium-Luxembourg (models)	53Y4230	1
Switzerland (models)	53Y4231	1
Nordics (models)	53Y4232	1

<b>9485 Vista Business 32 Recovery CDs</b>	<b>FRU#</b>	<b>CRU</b>
US English (models B3H B2H D1H D3M D3A D3Q D7M D7A D7Q E2U A6M A6A A6Q A5G B8G B9G B9A A4U A1U A1L A1M A1A A1Q A1H A1R H5M H5A H5Q H6M H6A H6Q F8U F9U H1U F6G F7G H9U J1U)	46R8079	1
French (models E2F A5G B8G B9G A4F A1F F8F F9F H1F F6G F7G H9F J1F)	46R8083	1
German (models A5G B8G B9G F6G F7G)	46R8086	1
Spanish (models A5G B8G B9G F6G F7G)	46R8082	1
Brazilian (models)	46R8085	1
Italian (models A5G B8G B9G F6G F7G)	46R8084	1
Japanese (models)	64Y6205	1
English for Indian (models B3H B2H D1H D3M D3A D3Q D7M D7A D7Q E2U A6M A6A A6Q A5G B8G B9G B9A A4U A1U A1L A1M A1A A1Q A1H A1R H5M H5A H5Q H6M H6A H6Q F8U F9U H1U F6G F7G)	64Y9435	1
Dutch (models A5G B8G B9G F6G F7G)	46R8096	1
Czech (models)	46R8100	1
Polish (models A5G B8G B9G F6G F7G)	46R8091	1
Russian (models A5G B8G B9G F6G F7G)	46R8090	1
Turkish (models A5G B8G B9G F6G F7G)	46R8095	1
Hungarian (models A5G B8G B9G F6G F7G)	46R8099	1
Greek (models A5G B8G B9G F6G F7G)	46R8094	1
Portuguese (models A5G B8G B9G F6G F7G)	46R8103	1
Simplified Chinese (models B8C B9C A1C)	46R8081	1
Hong Kong (models)	46R8087	1
Traditional Chinese (models)	46R8089	1
Korean (models D7K A6K A1K H3K H5K H6K)	46R8093	1
Slovenian (models)	46R8097	1
Russian English (models A5G B8G B9G F6G F7G)	46R8104	1
Romanian (models A5G B8G B9G F6G F7G)	46R8098	1
Sebian-Latin (models)	46R8102	1
Hebrew (models A5G B8G B9G )	46R8092	1
Arabic Localized (models)	46R8088	1
Slovakian (models A5G B8G B9G F6G F7G)	46R8101	1

<b>9485 Vista Business 32 Recovery CDs</b>	<b>FRU#</b>	<b>CRU</b>
Belgium-Luxembourg (models B3H B2H D1H D3M D3A D3Q D7M D7A D7Q E2U A6M A6A A6Q A5G B8G B9G B9A A4U A1U A1L A1M A1A A1Q A1H A1R H5M H5A H5Q H6M H6A H6Q F8U F9U H1U F6G F7G H9U J1U)	53Y4233	1
Switzerland (models B3H B2H D1H D3M D3A D3Q D7M D7A D7Q E2U A6M A6A A6Q A5G B8G B9G B9A A4U A1U A1L A1M A1A A1Q A1H A1R H5M H5A H5Q H6M H6A H6Q F8U F9U H1U F6G F7G H9U J1U)	53Y4234	1
Nordics (models A5G B8G B9G F6G F7G)	53Y4235	1

<b>9485 Vista Premium 32 Recovery CDs</b>	<b>FRU#</b>	<b>CRU</b>
US English (models D6M D6A D6Q )	46R8141	1
French (models)	46R8143	1
German (models)	46R8144	1
Spanish (models)	46R8145	1
Italian (models)	46R8146	1
Japanese (models)	64Y6208	1
Hong Kong (models)	46R8147	1
Korean (models D6K)	46R8148	1
Athens Vista SP1 MUL 1 P/N's VHP32 (EN FR GR NL) (models)	53Y4236	1
Athens Vista SP1 MUL 2 P/N's VHP32 (EN FR GR IT) (models)	53Y4237	1
Athens Vista SP1 MUL 3P/N's VHP32 (EN DK FI NO SV) (models)	53Y4238	1

<b>9485 Vista Business 64 Recovery CDs</b>	<b>FRU#</b>	<b>CRU</b>
US English (models)	46R8131	1
French (models)	46R8134	1
German (models)	46R8135	1
Japanese (models)	64Y6210	1
Simplified Chinese (models)	46R8133	1

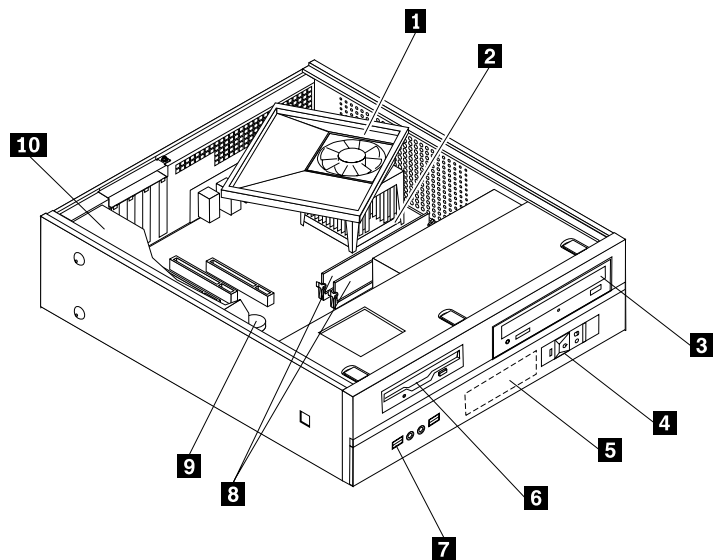
<b>9485 Vista Ultimate 32 Recovery CDs</b>	<b>FRU#</b>	<b>CRU</b>
US English (models)	46R8149	1
Japanese (models)	64Y6209	1
French (models)	46R8151	1
German (models)	46R8152	1
Spanish (models)	46R8153	1
Italian (models)	46R8154	1
Hong Kong (models)	46R8155	1
Arabic Localized (models)	46R8156	1
Athens Vista SP1 MUL 1 P/N's VU32 (EN DK FI NO SV) (models)	53Y4239	1

<b>9485 Vista Starter 32 Recovery CDs</b>	<b>FRU#</b>	<b>CRU</b>
English (models)	46R8052	1

9485 Vista Home Premium 64 Recovery CDs	FRU#	CRU
US (models)	71Y6634	1
French (models)	71Y6635	1

9485 Win7 Professional 32	FRU#	CRU
Brazilian Portuguese (all models)	89Y0454	1

## Machine Type 9486



Item #	9486 FRUs	FRU#	CRU
1	AMD 89W&65W 4Pin heatsink (ROCKYS) (all models)	41R6407	2
2	Microprocessor, Athlon64 4800+ X2 (2.50GHz, 1M L2, 65W) G1 65nm (models)	43C4093	N
2	Microprocessor, Athlon64 5000+ X2 (2.60GHz, 1M L2, 65W) G1 65nm (models A8H A3U A3F A6S A6P A6D A6Y )	41X1427	N
2	Microprocessor, Athlon 1640B (2.70GHz, 512K L2, 45W) G2 65nm (models A9H A4U A4F F1U F1F)	45R6488	N
2	Microprocessor, Athlon64 5200+ AM2 X2 (2.7 GHz processor, 65W) stepping G1 65nm (models)	45C7502	N
2	Microprocessor, Athlon64 5400B X2(2.80GHz, 1M L2, 65W) G2 65nm (models E7H E1M E1A E1Q E1T E1K B1G A1U A1F A1S A1P A1L A1D A1Y A1M A1A A1Q A1T A1C A1B A1H A1V A1K A1R H2M H2A H2Q H2T H2K F6U F6F F7U F7F K1U K1F)	45R6486	N
2	Microprocessor, Athlon64 5600+ X2 (2.90GHz, 1M L2, 89W) G2 65nm (models)	45C7504	N
2	Microprocessor, Athlon X2 BE 2350 (2.1GHz processor, 45W, 1MB L2) steping G1 (models)	43C6166	N
2	Microprocessor, Athlon X2 BE 2400 (2.3GHz processor, 45W, 1MB L2) steping G1 (models)	43C6165	N
2	Microprocessor, Athlon 4450B X2 (2.30GHz, 1M L2, 45W) G2 65nm (models J1A J1T J2M J2A J2T J2K H6U H6F H7U H7F H8U H8F H9U H5G)	46R3624	N

Item #	9486 FRUs	FRU#	CRU
2	Microprocessor, Athlon 5000B X2 (2.60GHz, 1M L2, 65W) G2 65nm (models A8H B2H B6M B6A B6Q B6T B6K B7M B7A B7Q B7T B8A B8Q B8T B9A B9Q B9T A3U A3F A3M A3A A3Q A3T A3K A6S A6P A6D A6Y E2S E2P E2D E2Y H1M H1A F2U F2F F3U F3F F4U F4F F5U F5F J8U J8F)	46R3625	N
2	Microprocessor, Athlon 5200B X2 (2.70GHz, 1M L2, 65W) G2 65nm (models CTO)	46R3626	N
2	Microprocessor, Athlon LE-1660 (2.8 GHz, 512K L2, 45W) G2 65nm (models CTO)	53Y7722	N
2	Microprocessor, Athlon X2 5600B (2.9 GHz, 1M L2, 65W) G2 65nm (models CTO)	53Y7718	N
2	Microprocessor, Athlon64 X2 6000+ (3.1 GHz, 1M L2, 89W) G2 65nm (models CTO)	53Y7720	N
2	Microprocessor, Sempron LE-1250 (2.20GHz, 512K L2, 45W) G2 65nm (models)	43C6168	N
2	Microprocessor, Athlon II X2 240 (2.8GHz, 2M Total Cache, AM3, 65W) C2 45nm (models 91Z)	64Y8012	N
2	Microprocessor, Athlon II X2 245 (2.9GHz, 2M Total Cache, AM3, 65W) C2 45nm (models 91Z)	64Y8013	N
2	Microprocessor, Athlon II X3 435 (2.9GHz, 1.5M Total Cache, AM3, 95W) C2 45nm (models 91Z)	64Y8020	N
2	Microprocessor, Phenom II X2 550 (3.1GHz, 7M Total Cache, AM3, 80W) C2 45nm (models 91Z)	64Y8024	N
2	Microprocessor, Phenom II X2 555 (3.2 GHz, 7M Total Cache, AM3, 80W) C3 45nm (models 91Z)	89Y0793	N
2	Microprocessor, Phenom II X3 720 (2.8GHz, 7.5M Total Cache, AM3, 95W) C2 45nm (models 91Z)	64Y8030	N
2	Microprocessor, Phenom II X4 910 (2.6GHz, 8M Total Cache, AM3, 95W) C2 45nm (models 91Z)	64Y8035	N
2	Microprocessor, Sempron LE-1300 (2.30GHz, 512K L2, 45W) G2 65nm (models B3M B4M B4A B4Q B4T B5M B5A B5Q B5T B5K E6U E6F A5S A5P A5D A5Y A5A A5Q)	43C8986	N
2	Microprocessor, Sempron 2100 X2 (1.80GHz, 512K L2, 65W) G2 65nm (models)	46R3629	N
2	Microprocessor, Sempron 2200 X2 (2.00GHz, 512K L2, 65W) G2 65nm (models)	46R3630	N
2	Microprocessor, Sempron X2 2300 (2.2GHz, 512K L2, 65W) G2 65nm (models CTO)	53Y7724	N
2	Microprocessor Sempron 140 (2.7GHz, 1M Total Cache, AM3, 45W) C2 45nm (models 91Z)	71Y6414	N
2	Microprocessor, Phenom 8600B (2.30GHz, 1.5M L2, 2M L3, 95W) stepping B2 65nm (models E9G E9A E9Q E9T E9C A2U A2F A7S A7P A7D A7Y H3M H3A H3Q H3T H3K J6U J6F J7U J7F J9U J9F)	45R6494	N
2	Microprocessor, Phenom 9550 (2.20GHz, 2M L2, 2M L3, 95W) stepping B3 65nm (models)	45R6496	N
2	Microprocessor, Phenom 9650 (2.30GHz, 2M L2, 2M L3, 95W) stepping B3 65nm (models)	45R6498	N
2	Microprocessor, Phenom 9600B (2.30GHz, 2M L2, 2M L3, 95W) stepping B2 65nm (models E8G E8C E5S E5P)	45R6500	N
2	Microprocessor, Phenom 8450 (2.10GHz, 1.5M L2, 2M L3, 95W) B3 65nm (models E4S E4P E4Y J3A J3T J4M J4A J4T J5M J5A J5T F8U F8F F9U F9F H4G)	45R6490	N
2	Microprocessor, Phenom X3 8600B (2.3GHz, 1.5M L2, 2M L3, 95W) B3 65nm (models)	45R6494	N
2	Microprocessor, Phenom 9550 (2.20GHz, 2M L2, 2M L3, 95W) stepping B3 65nm (models CTO)	53Y7709	N

Item #	9486 FRUs	FRU#	CRU
2	Microprocessor, Phenom X4 9750B (2.4 GHz, 512K / 2M L2, 95W) B3 65nm (models CTO)	53Y7711	N
3	DVD-ROM Drive - 16x/48x - SATA Vista & non-Vista (models A9H B3M B6M B6A B6Q B6T B6K B8A B8Q B8T A4U A4F A5S A5P A5D A5Y A5A A5Q E2S E2P E2D E2Y J3A J3T H7U H7F F1U F1F F2U F2F F6U F6F F8U F8F J6U J6F)	41N3325	2
3	DVD-ROM Drive - 16x/48x - With DVD playback software (models A9H B3M B6M B6A B6Q B6T B6K B8A B8Q B8T A4U A4F A5S A5P A5D A5Y A5A A5Q E2S E2P E2D E2Y J3A J3T H7U H7F F1U F1F F2U F2F F6U F6F F8U F8F J6U J6F)	71Y5543	2
3	DVD Recordable/CD-RW Rambo 8 - SATA Vista & non-Vista (models A8H B2H E7H B4M B4A B4Q B4T B5M B5A B5Q B5T B5K B7M B7A B7Q B7T B9A B9Q B9T E1M E1A E1Q E1T E1K E6U E6F B1G E9G E9A E9Q E9T E9C E8G E8C A2U A2F A3U A3F A3M A3A A3Q A3T A3K A6S A6P A6D A6Y A7S A7P A7D A7Y E5S E5P E4S E4P E4Y A1U A1F A1S A1P A1L A1D A1Y A1M A1A A1Q A1T A1C A1B A1H A1V A1K A1R H1M H1A H2M H2A H2Q H2T H2K H3M H3A H3Q H3T H3K J1A J1T J2M J2A J2T J2K J4M J4A J4T J5M J5A J5T H6U H6F H8U H8F H9U F3U F3F F4U F4F F5U F5F F7U F7F F9U F9F H5G H4G J7U J7F J8U J8F)	43C1042	2
3	DVD-RW/CD-RW Rambo 8 - With write software (models A8H B2H E7H B4M B4A B4Q B4T B5M B5A B5Q B5T B5K B7M B7A B7Q B7T B9A B9Q B9T E1M E1A E1Q E1T E1K E6U E6F B1G E9G E9A E9Q E9T E9C E8G E8C A2U A2F A3U A3F A3M A3A A3Q A3T A3K A6S A6P A6D A6Y A7S A7P A7D A7Y E5S E5P E4S E4P E4Y A1U A1F A1S A1P A1L A1D A1Y A1M A1A A1Q A1T A1C A1B A1H A1V A1K A1R H1M H1A H2M H2A H2Q H2T H2K H3M H3A H3Q H3T H3K J1A J1T J2M J2A J2T J2K J4M J4A J4T J5M J5A J5T H6U H6F H8U H8F H9U F3U F3F F4U F4F F5U F5F F7U F7F F9U F9F H5G H4G J7U J7F J8U J8F)	71Y5545	2
4	Front Power/LED PC, bracket, and cable (all models)	41N8213	2
5	Hard disk drive, 80GB, 7200RPM, SATA (models)	40Y9034	2
5	Hard disk drive, 160GB, 7200RPM, SATA (models A9H B2H E7H B3M B4M B4A B4Q B4T B5M B5A B5Q B5T B5K B6M B6A B6Q B6T B6K B7M B7A B7Q B7T B8A B8Q B8T B9A B9Q B9T E6U E6F B1G E9G E9A E9Q E9T E9C A2U A2F A3U A3F A3M A3A A3Q A3T A3K A4U A4F A5S A5P A5D A5Y A5A A5Q A6S A6P A6D A6Y E2S E2P E2D E2Y A1U A1F A1S A1P A1L A1D A1Y A1M A1A A1Q A1T A1C A1B A1H A1V A1K A1R H1M H1A H2M H2A H2Q H2T H2K J1A J1T J2M J2A J2T J2K J3A J3T J4M J4A J4T H6U H6F H7U H7F H8U H8F H9U F1U F1F F2U F2F F3U F3F F4U F4F F6U F6F F9U F9F J6U J6F J7U J7F J8U J8F J9U J9F K1U K1F)	40Y9035	2
5	Hard disk drive, SATA 160GB 7200RPM/3Gb/8MB (models A9H B2H E7H B3M B4M B4A B4Q B4T B5M B5A B5Q B5T B5K B6M B6A B6Q B6T B6K B7M B7A B7Q B7T B8A B8Q B8T B9A B9Q B9T E6U E6F B1G E9G E9A E9Q E9T E9C A2U A2F A3U A3F A3M A3A A3Q A3T A3K A4U A4F A5S A5P A5D A5Y A5A A5Q A6S A6P A6D A6Y E2S E2P E2D E2Y A1U A1F A1S A1P A1L A1D A1Y A1M A1A A1Q A1T A1C A1B A1H A1V A1K A1R H1M H1A H2M H2A H2Q H2T H2K J1A J1T J2M J2A J2T J2K J3A J3T J4M J4A J4T H6U H6F H7U H7F H8U H8F H9U F1U F1F F2U F2F F3U F3F F4U F4F F6U F6F F9U F9F J6U J6F J7U J7F J8U J8F J9U J9F K1U K1F)	53Y6837	2
5	Hard disk drive, SATA 250GB 7200RPM/3Gb/8MB (models A8H E1M E1A E1Q E1T E1K E8G E8C A7S A7P A7D A7Y E5S E5P E4S E4P E4Y H3M H3A H3Q H3T H3K J5M J5A J5T F5U F5F F7U F7F F8U F8F H5G H4G)	45K0408	2
5	Hard disk drive, SATA 320GB 7200rpm SATA/8MB (models)	45K0409	2
5	Hard disk drive, SATA 500GB 7200RPM/3Gb/s/8MB (models)	45K0410	2
5	Hard disk drive, 250GB, 7200RPM, SATA (models A8H E1M E1A E1Q E1T E1K E8G E8C A7S A7P A7D A7Y E5S E5P E4S E4P E4Y H3M H3A H3Q H3T H3K J5M J5A J5T F5U F5F F7U F7F F8U F8F H5G H4G)	40Y9036	2
5	Hard disk drive, 320GB 7200rpm SATA/8MB (models)	87H4891	2

Item #	9486 FRUs	FRU#	CRU
5	Hard disk drive, SATA 500GB 7200RPM/3Gb/s/8MB (models)	41X5582	2
6	Diskette drive, 3.5" 1.44MB 2 Mode FDD with Bezel and cable (models)	40Y9105	2
6	Diskette drive, 3.5" 1.44MB 2 Mode FDD with Bezel and cable (models)	40Y9107	2
7	Front USB/Audio with bracket (all models)	41N8212	2
8	Memory module, 512 MB PC2-5300 (667MHz) DDR2 SDRAM (models)	41X4255	2
8	Memory module, 512MB PC2-6400 (800MHz) DDR2 SDRAM (models)	41X1079	2
8	Memory module, 1GB PC2-6400 (667MHz) DDR2 SDRAM (models E7H B6M B6A B6Q B6T B6K B7M B7A B7Q B7T B8A B8Q B8T B9A B9Q B9T E1M E1A E1Q E1T E1K E6U E6F B1G E9G E9A E9Q E9T E9C E8G E8C A3U A3F A3M A3A A3Q A3T A3K A4U A4F A1U A1F A1S A1P A1L A1D A1Y A1M A1A A1Q A1T A1C A1B A1H A1V A1K A1R H1M H1A H2M H2A H2Q H2T H2K H3M H3A H3Q H3T H3K J1A J1T J2M J2A J2T J2K J3A J3T J4M J4A J4T J5M J5A J5T H6U H6F H7U H7F F1U F1F F2U F2F F3U F3F F4U F4F F5U F5F F6U F6F F7U F7F H5G H4G J6U J6F)	41X1080	2
8	Memory module, 2GB PC2-6400 (667MHz) DDR2 SDRAM (models A2U A2F J7U J7F J8U J8F)	41X1081	2
9	System board, Planar AMD RS780 mATX (TOWER & ROCKYS) (models A8H A9H B2H E7H B3M B4M B4A B4Q B4T B5M B5A B5Q B5T B5K B6M B6A B6Q B6T B6K B7M B7A B7Q B7T B8A B8Q B8T B9A B9Q B9T E1M E1A E1Q E1T E1K E6U E6F B1G E9G E9A E9Q E9T E9C E8G E8C A2U A2F A3U A3F A3M A3A A3Q A3T A3K A4U A4F A5S A5P A5D A5Y A5A A5Q A6S A6P A6D A6Y A7S A7P A7D A7Y E5S E5P E2S E2P E2D E2Y E4S E4P E4Y A1U A1F A1S A1P A1L A1D A1Y A1M A1A A1Q A1T A1C A1B A1H A1V A1K A1R H1M H1A H2M H2A H2Q H2T H2K H3M H3A H3Q H3T H3K J1A J1T J2M J2A J2T J2K J3A J3T J4M J4A J4T J5M J5A J5T H6U H6F H7U H7F H8U H8F H9U F1U F1F F2U F2F F3U F3F F4U F4F F5U F5F F6U F6F F7U F7F F8U F8F F9U F9F H5G H4G J6U J6F J7U J7F J8U J8F J9U J9F K1U K1F)	71Y5724	N
9	System board, Planar AMD RS780 mATX GA Level - TPM Disable for Russia (models B1G E9G H5G H4G)	71Y4994	N
9	System board, Planar AMD RS780 mATX GA Level - Support Phenom II X2 555 (models 91Z)	89Y1346	N
9	System board, Planar AMD RS780 mATX GA Level -Support Win7 and AM3 C2 CPU (models 91Z)	89Y1809	N
10	Power Supply, ATX 280 Watt world wide (models A8H A9H B2H E7H B3M B4M B4A B4Q B4T B5M B5A B5Q B5T B5K B6M B6A B6Q B6T B6K B7M B7A B7Q B7T B8A B8Q B8T B9A B9Q B9T E1M E1A E1Q E1T E1K E6U E6F B1G E9G E9A E9Q E9T E9C E8G E8C A2U A2F A3U A3F A3M A3A A3Q A3T A3K A4U A4F A5S A5P A5D A5Y A5A A5Q A6S A6P A6D A6Y A7S A7P A7D A7Y E5S E5P E2S E2P E2D E2Y E4S E4P E4Y A1U A1F A1S A1P A1L A1D A1Y A1M A1A A1Q A1T A1C A1B A1H A1V A1K A1R H1M H1A H2M H2A H2Q H2T H2K H3M H3A H3Q H3T H3K J1A J1T J2M J2A J2T J2K J3A J3T J4M J4A J4T J5M J5A J5T H6U H6F H7U H7F H8U H8F H9U F1U F1F F2U F2F F3U F3F F4U F4F F5U F5F F6U F6F F7U F7F F8U F8F F9U F9F H5G H4G J6U J6F J7U J7F J8U J8F J9U J9F K1U K1F)	41A9684	2
10	Power Supply, ATX 280 Watt 80% world wide and Japan (models A8H A9H B2H E7H B3M B4M B4A B4Q B4T B5M B5A B5Q B5T B5K B6M B6A B6Q B6T B6K B7M B7A B7Q B7T B8A B8Q B8T B9A B9Q B9T E1M E1A E1Q E1T E1K E6U E6F B1G E9G E9A E9Q E9T E9C E8G E8C A2U A2F A3U A3F A3M A3A A3Q A3T A3K A4U A4F A5S A5P A5D A5Y A5A A5Q A6S A6P A6D A6Y A7S A7P A7D A7Y E5S E5P E2S E2P E2D E2Y E4S E4P E4Y A1U A1F A1S A1P A1L A1D A1Y A1M A1A A1Q A1T A1C A1B A1H A1V A1K A1R H1M H1A H2M H2A H2Q H2T H2K H3M H3A H3Q H3T H3K J1A J1T J2M J2A J2T J2K J3A J3T J4M J4A J4T J5M J5A J5T H6U H6F H7U H7F H8U H8F H9U F1U F1F F2U F2F F3U F3F F4U F4F F5U F5F F6U F6F F7U F7F F8U F8F F9U F9F H5G H4G J6U J6F J7U J7F J8U J8F J9U J9F K1U K1F)	41A9665	2

Item #	9486 FRUs	FRU#	CRU
10	Power Supply, ATX 310 Watt world wide and Japan (models A8H A9H B2H E7H B3M B4M B4A B4Q B4T B5M B5A B5Q B5T B5K B6M B6A B6Q B6T B6K B7M B7A B7Q B7T B8A B8Q B8T B9A B9Q B9T E1M E1A E1Q E1T E1K E6U E6F B1G E9G E9A E9Q E9T E9C E8G E8C A2U A2F A3U A3F A3M A3A A3Q A3T A3K A4U A4F A5S A5P A5D A5Y A5A A5Q A6S A6P A6D A6Y A7S A7P A7D A7Y E5S E5P E2S E2P E2D E2Y E4S E4P E4Y A1U A1F A1S A1P A1L A1D A1Y A1M A1A A1Q A1T A1C A1B A1H A1V A1K A1R H1M H1A H2M H2A H2Q H2T H2K H3M H3A H3Q H3T H3K J1A J1T J2M J2A J2T J2K J3A J3T J4M J4A J4T J5M J5A J5T H6U H6F H7U H7F H8U H8F H9U F1U F1F F2U F2F F3U F3F F4U F4F F5U F5F F6U F6F F7U F7F F8U F8F F9U F9F H5G H4G J6U J6F J7U J7F J8U J8F J9U J9F K1U K1F)	41A9726	2
10	Power Supply, 220 Watt world wide (models A8H A9H B2H E7H B3M B4M B4A B4Q B4T B5M B5A B5Q B5T B5K B6M B6A B6Q B6T B6K B7M B7A B7Q B7T B8A B8Q B8T B9A B9Q B9T E1M E1A E1Q E1T E1K E6U E6F B1G E9G E9A E9Q E9T E9C E8G E8C A2U A2F A3U A3F A3M A3A A3Q A3T A3K A4U A4F A5S A5P A5D A5Y A5A A5Q A6S A6P A6D A6Y A7S A7P A7D A7Y E5S E5P E2S E2P E2D E2Y E4S E4P E4Y A1U A1F A1S A1P A1L A1D A1Y A1M A1A A1Q A1T A1C A1B A1H A1V A1K A1R H1M H1A H2M H2A H2Q H2T H2K H3M H3A H3Q H3T H3K J1A J1T J2M J2A J2T J2K J3A J3T J4M J4A J4T J5M J5A J5T H6U H6F H7U H7F H8U H8F H9U F1U F1F F2U F2F F3U F3F F4U F4F F5U F5F F6U F6F F7U F7F F8U F8F F9U F9F H5G H4G J6U J6F J7U J7F J8U J8F J9U J9F K1U K1F)	41A9689	N
10	Power Supply, 220 Watt only for Japan (models)	41A9697	N
10	Power Supply, 220 Watt 80% world wide and Japan (models A8H A9H B2H E7H B3M B4M B4A B4Q B4T B5M B5A B5Q B5T B5K B6M B6A B6Q B6T B6K B7M B7A B7Q B7T B8A B8Q B8T B9A B9Q B9T E1M E1A E1Q E1T E1K E6U E6F B1G E9G E9A E9Q E9T E9C E8G E8C A2U A2F A3U A3F A3M A3A A3Q A3T A3K A4U A4F A5S A5P A5D A5Y A5A A5Q A6S A6P A6D A6Y A7S A7P A7D A7Y E5S E5P E2S E2P E2D E2Y E4S E4P E4Y A1U A1F A1S A1P A1L A1D A1Y A1M A1A A1Q A1T A1C A1B A1H A1V A1K A1R H1M H1A H2M H2A H2Q H2T H2K H3M H3A H3Q H3T H3K J1A J1T J2M J2A J2T J2K J3A J3T J4M J4A J4T J5M J5A J5T H6U H6F H7U H7F H8U H8F H9U F1U F1F F2U F2F F3U F3F F4U F4F F5U F5F F6U F6F F7U F7F F8U F8F F9U F9F H5G H4G J6U J6F J7U J7F J8U J8F J9U J9F K1U K1F)	41A9670	N
10	Power Supply, 280 Watt TFX Active PFC, world wide and Japan (models A8H A9H B2H E7H B3M B4M B4A B4Q B4T B5M B5A B5Q B5T B5K B6M B6A B6Q B6T B6K B7M B7A B7Q B7T B8A B8Q B8T B9A B9Q B9T E1M E1A E1Q E1T E1K E6U E6F B1G E9G E9A E9Q E9T E9C E8G E8C A2U A2F A3U A3F A3M A3A A3Q A3T A3K A4U A4F A5S A5P A5D A5Y A5A A5Q A6S A6P A6D A6Y A7S A7P A7D A7Y E5S E5P E2S E2P E2D E2Y E4S E4P E4Y A1U A1F A1S A1P A1L A1D A1Y A1M A1A A1Q A1T A1C A1B A1H A1V A1K A1R H1M H1A H2M H2A H2Q H2T H2K H3M H3A H3Q H3T H3K J1A J1T J2M J2A J2T J2K J3A J3T J4M J4A J4T J5M J5A J5T H6U H6F H7U H7F H8U H8F H9U F1U F1F F2U F2F F3U F3F F4U F4F F5U F5F F6U F6F F7U F7F F8U F8F F9U F9F H5G H4G J6U J6F J7U J7F J8U J8F J9U J9F K1U K1F)	41A9705	N

The FRUs listed in the following tables are not illustrated.

9486 FRUs	FRU#	CRU
Fru rear IO shield ATX,for RX 780,Atlantic (all models)	41R6383	N
FDD Cable (all models)	41A7147	2
Cabel-SATA 250mm (RoHS) (all models)	43N9012	2
EMC Shield, Blank 5.25 (all models)	41N8271	2
EMC Shield, Blank FDD (all models)	41N8273	2
Cover, Rocky S3 (all models)	41N8204	2



<b>9486 FRUs</b>	<b>FRU#</b>	<b>CRU</b>
Mechanical shell kit Rocky S4 (all models)	43N9374	N
Bezel kit, Rocky S3 without IBM logo (all models)	41R6238	2
Misc Hardware Kit (all models)	41N8209	2
HDD Bracket Asm (plastic and grommets) (all models)	41N8210	2
HDD Fan and bracket asm (all models)	41R6325	2
Speaker Cable Asm, 600 mm cable length (all models)	41N8217	2
Rear Com2 cable II LP (all models)	42Y8008	2
Rear USB 2Ports II LP (all models)	42Y8006	2
Foot stand ASM for ACE rocky S3 (all models)	41R4813	1
Instruction switch Asm (all models)	41R6208	2
RM Asm, AMD (all models)	41R2507	N
Temp Sense Cable (165 mm) (all models)	43N9079	2
Fru-Cable, MINI,COM2 CABLE(ROHS) (all models)	41R6198	2

<b>9486 Keyboards (Lenovo Preferred Pro USB -- without hub)</b>	<b>FRU#</b>	<b>CRU Tier</b>
USB FULL--US English (models A8H A9H B2H E7H B3M B4M B4A B4Q B5M B5A B5Q B6M B6A B6Q B7M B7A B7Q B8A B8Q B9A B9Q E1M E1A E1Q E6U B1G E9G E9A E9Q E8G A2U A3U A3M A3A A3Q A4U A5A A5Q A1U A1L A1M A1A A1Q A1H A1R H1M H1A H2M H2A H2Q H3M H3A H3Q J1A J2M J2A J3A J4M J4A J5M J5A H6U H7U H8U H9U F1U F2U F3U F4U F5U F6U F7U F8U F9U H5G H4G J6U J7U J8U J9U K1U)	41A5289	1
USB FULL--Arabic (models B1G E9G E8G H5G H4G)	41A5290	1
USB FULL--Arabic/French (models B1G E9G E8G H5G H4G)	41A5291	1
USB FULL--Belgian/French (models)	41A5292	1
USB FULL--Belgium English (models B1G E9G E8G H5G H4G)	41A5293	1
USB FULL--Brazilian Portuguese (models A5P A6P A7P E5P E2P E4P A1P)	41A5294	1
USB FULL--Bulgarian (models B1G E9G E8G H5G H4G)	41A5295	1
USB FULL--Chinese/US (models A1B A1V)	41A5296	1
USB FULL--Czech (ABB) (models B1G E9G E8G H5G H4G)	41A5297	1
USB FULL--Danish (models B1G E9G E8G H5G H4G)	41A5298	1
USB FULL--Dutch (models B1G E9G E8G H5G H4G)	41A5299	1
USB FULL--French (models B1G E9G E8G H5G H4G)	41A5300	1
USB FULL--French Canadian (models E6F B1G E9G E8G A2F A3F A4F A1F H6F H7F H8F F1F F2F F3F F4F F5F F6F F7F F8F F9F H5G H4G J6F J7F J8F J9F K1F)	41A5301	1
USB FULL--French Canadian (models E6F B1G E9G E8G A2F A3F A4F A1F H6F H7F H8F F1F F2F F3F F4F F5F F6F F7F F8F F9F H5G H4G J6F J7F J8F J9F K1F)	41A5302	1
USB FULL--German (models B1G E9G E8G H5G H4G)	41A5303	1
USB FULL--Greek (models B1G E9G E8G H5G H4G)	41A5304	1
USB FULL--Greek/US (models B1G E9G E8G H5G H4G)	41A5305	1
USB FULL--Hebrew (models B1G E9G E8G H5G H4G)	41A5306	1
USB FULL--Hungarian (models B1G E9G E8G H5G H4G)	41A5307	1

<b>9486 Keyboards (Lenovo Preferred Pro USB -- without hub)</b>	<b>FRU#</b>	<b>CRU Tier</b>
USB FULL--Iceland (models B1G E9G E8G H5G H4G)	41A5308	1
USB FULL--Italy (models B1G E9G E8G H5G H4G)	41A5309	1
USB FULL--Japanese (models)	41A5310	1
USB FULL--Korean (models B5K B6K E1K A3K A1K H2K H3K J2K)	41A5311	1
USB FULL--LA Spanish (models A5S A5D A5Y A6S A6D A6Y A7S A7D A7Y E5S E2S E2D E2Y E4S E4Y A1S A1D A1Y)	41A5312	1
USB FULL--Norwegian (models B1G E9G E8G H5G H4G)	41A5313	1
USB FULL--Polish (models B1G E9G E8G H5G H4G)	41A5314	1
USB FULL--Portugese (models B1G E9G E8G H5G H4G)	41A5315	1
USB FULL--Romanian (models B1G E9G E8G H5G H4G)	41A5317	1
USB FULL--Russian/Cyrillic (models B1G E9G E8G H5G H4G)	41A5318	1
USB FULL--Serbian/Cyrillic (models B1G E9G E8G H5G H4G)	41A5319	1
USB FULL--Slovak (models B1G E9G E8G H5G H4G)	41A5320	1
USB FULL--Spanish (models B1G E9G E8G H5G H4G)	41A5321	1
USB FULL--Swedish/Finnish (models B1G E9G E8G H5G H4G)	41A5322	1
USB FULL--Swiss F/G (models B1G E9G E8G H5G H4G)	41A5323	1
USB FULL--Thailand (models B4T B5T B6T B7T B8T B9T E1T E9T A3T A1T H2T H3T J1T J2T J3T J4T J5T)	41A5324	1
USB FULL--Turkish (models B1G E9G E8G H5G H4G)	41A5325	1
USB FULL--Turkish (models B1G E9G E8G H5G H4G)	41A5326	1
USB FULL--UK English (models B1G E9G E8G H5G H4G)	41A5327	1
USB FULL--US Euro (models B1G E9G E8G H5G H4G)	41A5328	1
USB FULL--Slovenian (models)	41A5329	1

<b>9486 Keyboards (Lenovo Fingerprint Reader USB)</b>	<b>FRU#</b>	<b>CRU Tier</b>
US English (models)	41R0038	1
Arabic (models)	41R0039	1
Arabic/French (models)	41R0040	1
Belgian/French (models)	41R0041	1
Belgium English (models)	41R0042	1
Brazilian Portuguese (models)	41R0043	1
Bulgarian (models)	41R0044	1
Chinese/US (models)	41R0045	1
Czech (ABB) (models)	41R0046	1
Danish (models)	41R0047	1
Dutch (models)	41R0048	1
French (models)	41R0049	1
French Canadian (models)	41R0050	1

<b>9486 Keyboards (Lenovo Fingerprint Reader USB)</b>	<b>FRU#</b>	<b>CRU Tier</b>
French Canadian (models)	41R0051	1
German (models)	41R0052	1
Greek (models)	41R0053	1
Greek/US (models)	41R0054	1
Hebrew (models)	41R0055	1
Hungarian (models)	41R0056	1
Iceland (models)	41R0057	1
Italy (models)	41R0058	1
Japanese (models)	41R0059	1
Korean (models)	41R0060	1
LA Spanish (models)	41R0061	1
Norwegian (models)	41R0062	1
Polish (models)	41R0063	1
Portuguese (models)	41R0064	1
Romanian (models)	41R0065	1
Romanian (models)	41R0066	1
Russian/Cyrillic (models)	41R0067	1
Serbian/Cyrillic (models)	41R0068	1
Slovak (models)	41R0069	1
Spanish (models)	41R0070	1
Swedish/Finnish (models)	41R0071	1
Swiss F/G (models)	41R0072	1
Thailand (models)	41R0073	1
Turkish (models)	41R0074	1
Turkish (models)	41R0075	1
UK English (models)	41R0076	1
US Euro (models)	41R0077	1
Slovenian (models)	41R0078	1

<b>9486 Keyboards (Lenovo Preferred Pro PS/2 Full Size)</b>	<b>FRU#</b>	<b>CRU Tier</b>
PS/2 Full--US English (models)	41A5039	1
PS/2 Full--Arabic (models)	41A5040	1
PS/2 Full--Arabic/French (models)	41A5041	1
PS/2 Full--Belgian/French (models)	41A5042	1
PS/2 Full--Belgium English (models)	41A5043	1
PS/2 Full--Brazilian Portuguese (models)	41A5044	1
PS/2 Full--Bulgarian (models)	41A5045	1
PS/2 Full--Chinese/US (models)	41A5046	1

<b>9486 Keyboards (Lenovo Preferred Pro PS/2 Full Size)</b>	<b>FRU#</b>	<b>CRU Tier</b>
PS/2 Full--Czech (ABB) (models)	41A5047	1
PS/2 Full--Danish (models)	41A5048	1
PS/2 Full--Dutch (models)	41A5049	1
PS/2 Full--French (models)	41A5050	1
PS/2 Full--French Canadian (models)	41A5051	1
PS/2 Full--French Canadian (models)	41A5052	1
PS/2 Full--German (models)	41A5053	1
PS/2 Full--Greek (models)	41A5054	1
PS/2 Full--Greek/US (models)	41A5080	1
PS/2 Full--Hebrew (models)	41A5055	1
PS/2 Full--Hungarian (models)	41A5056	1
PS/2 Full--Iceland (models)	41A5057	1
PS/2 Full--Italy (models)	41A5058	1
PS/2 Full--Japanese (models)	41A5059	1
PS/2 Full--Korean (models)	41A5060	1
PS/2 Full--LA Spanish (models)	41A5061	1
PS/2 Full--Norwegian (models)	41A5062	1
PS/2 Full--Polish (models)	41A5063	1
PS/2 Full--Portugese (models)	41A5064	1
PS/2 Full--Romanian (models)	41A5065	1
PS/2 Full--Russian/Cyrillic (models)	41A5066	1
PS/2 Full--Serbian/Cyrillic (models)	41A5067	1
PS/2 Full--Slovak (models)	41A5068	1
PS/2 Full--Spanish (models)	41A5069	1
PS/2 Full--Swedish/Finnish (models)	41A5070	1
PS/2 Full--Swiss F/G (models)	41A5071	1
PS/2 Full--Thailand (models)	41A5072	1
PS/2 Full--Turkish (models)	41A5073	1
PS/2 Full--Turkish (models)	41A5074	1
PS/2 Full--UK English (models)	41A5075	1
PS/2 Full--US Euro (models)	41A5076	1
PS/2 Full--Slovenian (models)	41A5077	1

<b>9486 mice</b>	<b>FRU#</b>	<b>CRU</b>
Optical Wheel Mouse OPT (400DPI, USB) (models A8H A9H B2H E7H B3M B4M B4A B4Q B4T B5M B5A B5Q B5T B5K B6M B6A B6Q B6T B6K B7M B7A B7Q B7T B8A B8Q B8T B9A B9Q B9T E1M E1A E1Q E1T E1K E6U E6F B1G E9G E9A E9Q E9T E9C E8G E8C A2U A2F A3U A3F A3M A3A A3Q A3T A3K A4U A4F A5S A5P A5D A5Y A5A A5Q A6S A6P A6D A6Y A7S A7P A7D A7Y E5S E5P E2S E2P E2D E2Y E4S E4P E4Y A1U A1F A1S A1P A1L A1D A1Y A1M A1A A1Q A1T A1C A1B A1H A1V A1K A1R H1M H1A H2M H2A H2Q H2T H2K H3M H3A H3Q H3T H3K J1A J1T J2M J2A J2T J2K J3A J3T J4M J4A J4T J5M J5A J5T H6U H6F H7U H7F H8U H8F H9U F1U F1F F2U F2F F3U F3F F4U F4F F5U F5F F6U F6F F7U F7F F8U F8F F9U F9F H5G H4G J6U J6F J7U J7F J8U J8F J9U J9F K1U K1F)	41U3013	1
Optical Wheel Mouse OPT (400DPI, USB) (models A8H A9H B2H E7H B3M B4M B4A B4Q B4T B5M B5A B5Q B5T B5K B6M B6A B6Q B6T B6K B7M B7A B7Q B7T B8A B8Q B8T B9A B9Q B9T E1M E1A E1Q E1T E1K E6U E6F B1G E9G E9A E9Q E9T E9C E8G E8C A2U A2F A3U A3F A3M A3A A3Q A3T A3K A4U A4F A5S A5P A5D A5Y A5A A5Q A6S A6P A6D A6Y A7S A7P A7D A7Y E5S E5P E2S E2P E2D E2Y E4S E4P E4Y A1U A1F A1S A1P A1L A1D A1Y A1M A1A A1Q A1T A1C A1B A1H A1V A1K A1R H1M H1A H2M H2A H2Q H2T H2K H3M H3A H3Q H3T H3K J1A J1T J2M J2A J2T J2K J3A J3T J4M J4A J4T J5M J5A J5T H6U H6F H7U H7F H8U H8F H9U F1U F1F F2U F2F F3U F3F F4U F4F F5U F5F F6U F6F F7U F7F F8U F8F F9U F9F H5G H4G J6U J6F J7U J7F J8U J8F J9U J9F K1U K1F)	41U3030	1
PS/2 Three Button ball mouse scrollpoint (41R0017) (models)	41R0018	1

<b>9486 Adapters and miscellaneous FRUs</b>	<b>FRU#</b>	<b>CRU</b>
Internal USB Memory Card Reader floppy bay (models)	41R3378	2
Internal 20 in 1 USB Memory Card Reader (models CTO)	45R8139	1
NVIDIA GeForce 9300 GE 256M Low Profile (1*DVI) (Rockey) (models)	53Y5823	2
ATI HD 2600XT 512MB 128BIT ATX (models)	43C0261	2
IEEE 1394 Firewire Adapter SFF (models)	41D2781	2
IEEE 1394 Firewire Adapter ATX (models)	41D2781	2
Soft Modem V.90/V.44 SFF (models)	29R9729	2
Soft Modem V.90/V.44 ATX (models)	29R9729	2
ATI HD 2400PRO 128MB 64BIT DMS59 LP (models)	43C0259	2
ATI HD 2400PRO 128MB 64BIT DMS59 ATX (models)	43C0259	2
ATI HD 2400XT 256MB 64BIT DMS59 LP Secondary (models)	64Y3997	2
Speaker Power brick - US, Canada, LA low voltage, ASEAN (models E6U A2U A3U A4U A1U H6U H7U H8U H9U F1U F2U F3U F4U F5U F6U F7U F8U F9U)	89P8571	1
Speaker Power brick - LA high voltage (non-APU) (models)	89P8575	1
Speaker Power brick - SIMPLIFIED -CHN, Thailand EMEA (models B1G E9G E9C E8G E8C A1C H5G H4G)	89P8581	1
Speaker Power brick - Japan (models)	89P8577	1
Speaker Power brick - Brazil (models)	89P8583	1
Speaker Power brick - Argentina (models)	41A4901	1
Speaker Power brick - ANZ (models B3M B4M B5M B6M B7M E1M A3M A1M H1M H2M H3M J2M J4M J5M)	89P8579	1
Speaker Power brick - Korean (models)	41A4903	1
Speaker Power brick - Hong Kong, EMEA (models B1G E9G E8G H5G H4G)	89P8573	1
Speaker Power brick -TAIWAN-TC (models A1V )	41A4905	1

<b>9486 Adapters and miscellaneous FRUs</b>	<b>FRU#</b>	<b>CRU</b>
Speaker Power brick - India, South Africa (models B4Q B5Q B6Q B7Q B8Q B9Q E1Q E9Q A3Q A5Q A1Q H2Q H3Q)	89P8585	1
Dongle DMS Dule DMS-59 to dual VGA Cable (models)	42Y8181	2
Dongle DMS Dule DMS-59 to dual DVI Cable (models)	41X6398	2
Dongle DMS Dule DMS-59 to single VGA & single DVI Cable (models)	42Y8183	2
2-pc external speaker--primary (models)	41A5331	1
2-pc external speaker-secondary (models)	41A5334	1
DVI-I(M)-VGA(F) cord (models CTO)	41R3342	2
Battery 3V- Lithium (models A8H A9H B2H E7H B3M B4M B4A B4Q B4T B5M B5A B5Q B5T B5K B6M B6A B6Q B6T B6K B7M B7A B7Q B7T B8A B8Q B8T B9A B9Q B9T E1M E1A E1Q E1T E1K E6U E6F B1G E9G E9A E9Q E9T E9C E8G E8C A2U A2F A3U A3F A3M A3A A3Q A3T A3K A4U A4F A5S A5P A5D A5Y A5A A5Q A6S A6P A6D A6Y A7S A7P A7D A7Y E5S E5P E2S E2P E2D E2Y E4S E4P E4Y A1U A1F A1S A1P A1L A1D A1Y A1M A1A A1Q A1T A1C A1B A1H A1V A1K A1R H1M H1A H2M H2A H2Q H2T H2K H3M H3A H3Q H3T H3K J1A J1T J2M J2A J2T J2K J3A J3T J4M J4A J4T J5M J5A J5T H6U H6F H7U H7F H8U H8F H9U F1U F1F F2U F2F F3U F3F F4U F4F F5U F5F F6U F6F F7U F7F F8U F8F F9U F9F H5G H4G J6U J6F J7U J7F J8U J8F J9U J9F K1U K1F)	45C1566	1
HD 3470 256M 64bit DP ATX/LP (models)	64Y4498	2
DP to DVI dongle (models)	43N9160	2
Bitland 88E8075 1000M PCIE DASH NIC FH (R)(Rocky) (models)	53Y4008	2
AMD Display Port card LP® (Rocky) (models)	53Y4002	1

<b>9486 Power Cords</b>	<b>FRU#</b>	<b>CRU</b>
Power cord - US (models B4A B4T B5A B5T B6A B6T B7A B7T B8A B8T B9A B9T E1A E1T E6U E6F E9A E9T A2U A2F A3U A3F A3A A3T A4U A4F A5S A5Y A5A A6S A6Y A7S A7Y E5S E2S E2Y E4S E4Y A1U A1F A1S A1L A1Y A1A A1T H1A H2A H2T H3A H3T J1A J1T J2A J2T J3A J3T J4A J4T J5A J5T H6U H6F H7U H7F H8U H8F H9U F1U F1F F2U F2F F3U F3F F4U F4F F5U F5F F6U F6F F7U F7F F8U F8F F9U F9F J6U J6F J7U J7F J8U J8F J9U J9F K1U K1F)	41R3184	1
Power cord - US (models B4A B4T B5A B5T B6A B6T B7A B7T B8A B8T B9A B9T E1A E1T E6U E6F E9A E9T A2U A2F A3U A3F A3A A3T A4U A4F A5S A5Y A5A A6S A6Y A7S A7Y E5S E2S E2Y E4S E4Y A1U A1F A1S A1L A1Y A1A A1T H1A H2A H2T H3A H3T J1A J1T J2A J2T J3A J3T J4A J4T J5A J5T H6U H6F H7U H7F H8U H8F H9U F1U F1F F2U F2F F3U F3F F4U F4F F5U F5F F6U F6F F7U F7F F8U F8F F9U F9F J6U J6F J7U J7F J8U J8F J9U J9F K1U K1F)	41R3185	1
Power cord - China (models E9C E8C A1C)	41R3256	1
Power cord - China (models E9C E8C A1C)	41R3257	1
Power cord - Japanese and Japanese English (models)	41R3248	1
Power cord - Japanese and Japanese English (models)	41R3249	1
Power cord - Brazil (Portigese) (models)	41R3270	1
Power cord - Brazil (Portigese) (models)	41R3271	1
Power cord - LA High Volt (APU) (models)	41R3176	1
Power cord - LA High Volt (APU) (models)	41R3177	1
Power cord - ANZ (models)	41R3196	1
Power cord - ANZ (models)	41R3197	1

9486 Power Cords	FRU#	CRU
Power cord - Korea (models)	41R3260	1
Power cord - Korea (models)	41R3261	1
Power cord - UK, Ireland, Singapore, Malaysia, Brunei, Hongkong (models A8H A9H B2H E7H A1B A1H)	41R3224	1
Power cord - UK, Ireland, Singapore, Malaysia, Brunei, Hongkong (models A8H A9H B2H E7H A1B A1H)	41R3225	1
Power cord - Taiwan (models A1V )	41R3278	1
Power cord - Taiwan (models A1V )	41R3279	1
Power cord - Italy (models B1G E9G E8G A5S A5D A5Y A6S A6D A6Y A7S A7D A7Y E5S E2S E2D E2Y E4S E4Y A1S A1D A1Y H5G H4G)	41R3232	1
Power cord - Italy (models B1G E9G E8G A5S A5D A5Y A6S A6D A6Y A7S A7D A7Y E5S E2S E2D E2Y E4S E4Y A1S A1D A1Y H5G H4G)	41R3233	1
Power cord - Indonesia, Laos, Cambodia, Vietnam, Austria, Belgium, Croatia, Czechoslovakia, Finland, France, Germany, Hungary, Netherlands, Norway, Poland, Portugal, Romania, Spain, Sweden (models B4A B4T B5A B5T B6A B6T B7A B7T B8A B8T B9A B9T E1A E1T E6U E6F E9A E9T A2U A2F A3U A3F A3A A3T A4U A4F A5S A5Y A5A A6S A6Y A7S A7Y E5S E2S E2Y E4S E4Y A1U A1F A1S A1L A1Y A1A A1T H1A H2A H2T H3A H3T J1A J1T J2A J2T J3A J3T J4A J4T J5A J5T H6U H6F H7U H7F H8U H8F H9U F1U F1F F2U F2F F3U F3F F4U F4F F5U F5F F6U F6F F7U F7F F8U F8F F9U F9F J6U J6F J7U J7F J8U J8F J9U J9F K1U K1F)	41R3208	1
Power cord - Indonesia, Laos, Cambodia, Vietnam, Austria, Belgium, Croatia, Czechoslovakia, Finland, France, Germany, Hungary, Netherlands, Norway, Poland, Portugal, Romania, Spain, Sweden (models B4A B4T B5A B5T B6A B6T B7A B7T B8A B8T B9A B9T E1A E1T E6U E6F E9A E9T A2U A2F A3U A3F A3A A3T A4U A4F A5S A5Y A5A A6S A6Y A7S A7Y E5S E2S E2Y E4S E4Y A1U A1F A1S A1L A1Y A1A A1T H1A H2A H2T H3A H3T J1A J1T J2A J2T J3A J3T J4A J4T J5A J5T H6U H6F H7U H7F H8U H8F H9U F1U F1F F2U F2F F3U F3F F4U F4F F5U F5F F6U F6F F7U F7F F8U F8F F9U F9F J6U J6F J7U J7F J8U J8F J9U J9F K1U K1F)	41R3209	1
Power cord - Denmark (models B1G E9G E8G H5G H4G)	41R3212	1
Power cord - Denmark (models B1G E9G E8G H5G H4G)	41R3213	1
Power cord - Switzerland (models B1G E9G E8G H5G H4G)	41R3228	1
Power cord - Switzerland (models B1G E9G E8G H5G H4G)	41R3229	1
Power cord - Israel (models B1G E9G E8G H5G H4G)	41R3236	1
Power cord - Israel (models B1G E9G E8G H5G H4G)	41R3237	1
Power cord - South Africa (models B3M B4M B4A B5M B5A B6M B6A B7M B7A B8A B9A E1M E1A B1G E9G E9A E8G A3M A3A A5A A1M A1A H1M H1A H2M H2A H3M H3A J1A J2M J2A J3A J4M J4A J5M J5A H5G H4G)	41R3220	1
Power cord - South Africa (models B3M B4M B4A B5M B5A B6M B6A B7M B7A B8A B9A E1M E1A B1G E9G E9A E8G A3M A3A A5A A1M A1A H1M H1A H2M H2A H3M H3A J1A J2M J2A J3A J4M J4A J5M J5A H5G H4G)	41R3221	1
Power cord - India (models B4Q B5Q B6Q B7Q B8Q B9Q E1Q E9Q A3Q A5Q A1Q H2Q H3Q)	41R3341	1
Power cord - India (models B4Q B5Q B6Q B7Q B8Q B9Q E1Q E9Q A3Q A5Q A1Q H2Q H3Q)	41R3175	1
Power cord - Thailand (models)	43N9029	1
Power cord - Thailand (models)	43N9030	1
Power cord - Brazil (models)	43N9044	1

<b>9486 Windows XP Home Recovery CDs</b>	<b>FRU#</b>	<b>CRU</b>
US English/UK/Asia Pacific (models)	TBD	1
French/French Canadian (models)	TBD	1
Greek (models)	TBD	1
Italy (models)	TBD	1
Brazilian (models)	TBD	1
Spanish/LA (models)	TBD	1
Danish (models)	TBD	1
Dutch (models)	TBD	1
Arabic (models)	TBD	1
SV (Swedish) (models)	TBD	1
Hebrew (models)	TBD	1
Finnish (models)	TBD	1
Norwegian (models)	TBD	1
Polish (models)	TBD	1
Portugese (models)	TBD	1
Russian (models)	TBD	1
Russian English (models)	TBD	1
Hungarian (models)	TBD	1
Czech (models)	TBD	1
Turkish native (models)	TBD	1
Greek (models)	TBD	1
Japanese (models)	TBD	1
Simplified Chinese (models)	TBD	1
Taiwan-TC (models)	TBD	1
Hong Kong-TC (models)	TBD	1
Korean (models)	TBD	1

<b>9486 Windows XP Pro Recovery CDs</b>	<b>FRU#</b>	<b>CRU</b>
English (models H1M H1A H2M H2A H2Q H3M H3A H3Q F1U F2U F3U F4U F5U F6U F7U F8U F9U)	64Y5588	1
Japanese (models)	64Y6202	1
Simplified Chinese (models)	64Y5590	1
Spanish (models)	64Y5591	1
French (models F1F F2F F3F F4F F5F F6F F7F F8F F9F)	64Y5592	1
Italian (models)	64Y5593	1
Brazilian Portuguese (models)	64Y5594	1
German (models)	64Y5595	1
Hong Kong (models)	64Y5596	1
Swedish (models)	64Y5597	1



<b>9486 Windows XP Pro Recovery CDs</b>	<b>FRU#</b>	<b>CRU</b>
Danish (models)	64Y5598	1
Norway (models)	64Y5599	1
Finland (models)	64Y5600	1
Arabic (models)	64Y5601	1
Traditional Chinese (models)	64Y5602	1
Russian (models)	64Y5603	1
Polish (models)	64Y5604	1
Hebrew (models)	64Y5605	1
Korea (models)	64Y5606	1
Greek (models)	64Y5607	1
Turkish (models)	64Y5608	1
Dutch (models)	64Y5609	1
Slovenian (models)	64Y5610	1
Hungarian (models)	64Y5611	1
Czech (models)	64Y5612	1
Portuguese (models)	64Y5613	1
Russian English (models)	64Y5614	1
MUI Nordics (EN-DK-FI-NO-SV) (models CTO)	71Y6401	1
MUI Switz (EN-FR-GR-IT) (models CTO)	71Y6402	1
MUI Bel-Lux (EN-FR-GR-NL) (models CTO)	71Y6403	1

<b>9486 Vista Home Basic 32 Recovery CDs</b>	<b>FRU#</b>	<b>CRU</b>
US English (models B4M B4A B4Q B7M B7A B7Q J2M J2A J2T J2K)	46R8053	1
French (models)	46R8057	1
German (models)	46R8060	1
Spanish (models)	46R8056	1
Brazilian (models)	46R8059	1
Italian (models)	46R8058	1
Japanese (models)	64Y6207	1
Dutch (models)	46R8070	1
Czech (models)	46R8074	1
Polish (models)	46R8065	1
Russian (models)	46R8064	1
Turkish (models)	46R8069	1
Hungarian (models)	46R8073	1
Greek (models)	46R8068	1
Portuguese (models)	46R8077	1
Hong Kong (models)	46R8061	1
Traditional Chinese (models)	46R8063	1

<b>9486 Vista Home Basic 32 Recovery CDs</b>	<b>FRU#</b>	<b>CRU</b>
Korean (models)	46R8067	1
Slovenian (models)	46R8071	1
Russian English (models)	46R8078	1
Hebrew (models)	46R8066	1
Arabic Localized (models)	46R8062	1
Slovakian (models)	46R8075	1
Simplified Chinese (models)	46R8055	1
Serbian-Latin (models)	46R8076	1
Romanian (models)	46R8072	1
Belgium-Luxembourg (models B4M B4A B4Q B7M B7A B7Q J2M J2A)	53Y4230	1
Switzerland (models B4M B4A B4Q B7M B7A B7Q J2M J2A)	53Y4231	1
Nordics (models)	53Y4232	1

<b>9486 Vista Business 32 Recovery CDs</b>	<b>FRU#</b>	<b>CRU</b>
US English (models A8H A9H B2H E7H B3M B5M B5A B5Q B6M B6A B6Q E1M E1A E1Q E6U B1G E9G E9A E9Q E8G A3U A3M A3A A3Q A4U A1U A1L A1M A1A A1Q A1H A1R J4M J4A J5M J5A H6U H7U H8U H9U H5G H4G J9U K1U)	46R8079	1
French (models E6F B1G E9G E8G A3F A4F A1F H6F H7F H8F H5G H4G J9F K1F)	46R8083	1
German (models B1G E9G E8G H5G H4G)	46R8086	1
Spanish (models B1G E9G E8G H5G H4G)	46R8082	1
Brazilian (models)	46R8085	1
Italian (models B1G E9G E8G H5G H4G)	46R8084	1
Japanese (models)	64Y6205	1
English for Indian (models A8H A9H B2H E7H B3M B5M B5A B5Q B6M B6A B6Q E1M E1A E1Q E6U B1G E9G E9A E9Q E8G A3U A3M A3A A3Q A4U A1U A1L A1M A1A A1Q A1H A1R J2M J2A J4M J4A J5M J5A H6U H7U H8U H9U H5G H4G)	64Y9435	1
Dutch (models B1G E9G E8G H5G H4G)	46R8096	1
Czech (models)	46R8100	1
Polish (models B1G E9G E8G H5G H4G)	46R8091	1
Russian (models B1G E9G E8G H5G H4G)	46R8090	1
Turkish (models B1G E9G E8G H5G H4G)	46R8095	1
Hungarian (models B1G E9G E8G H5G H4G)	46R8099	1
Greek (models B1G E9G E8G H5G H4G)	46R8094	1
Portuguese (models B1G E9G E8G H5G H4G)	46R8103	1
Simplified Chinese (models E9C E8C A1C)	46R8081	1
Hong Kong (models)	46R8087	1
Traditional Chinese (models)	46R8089	1
Korean (models B5K B6K E1K A3K A1K J2K)	46R8093	1
Slovenian (models)	46R8097	1
Russian English (models B1G E9G E8G H5G H4G)	46R8104	1

<b>9486 Vista Business 32 Recovery CDs</b>	<b>FRU#</b>	<b>CRU</b>
Romanian (models B1G E9G E8G H5G H4G)	46R8098	1
Sebian-Latin (models)	46R8102	1
Hebrew (models B1G E9G E8G H5G H4G)	46R8092	1
Arabic Localized (models)	46R8088	1
Slovakian (models B1G E9G E8G H5G H4G)	46R8101	1
Belgium-Luxembourg (models A8H A9H B2H E7H B3M B5M B5A B5Q B6M B6A B6Q E1M E1A E1Q E6U B1G E9G E9A E9Q E8G A3U A3M A3A A3Q A4U A1U A1L A1M A1A A1Q A1H A1R J4M J4A J5M J5A H6U H7U H8U H9U H5G H4G J9U K1U)	53Y4233	1
Switzerland (models A8H A9H B2H E7H B3M B5M B5A B5Q B6M B6A B6Q E1M E1A E1Q E6U B1G E9G E9A E9Q E8G A3U A3M A3A A3Q A4U A1U A1L A1M A1A A1Q A1H A1R J4M J4A J5M J5A H6U H7U H8U H9U H5G H4G J9U K1U)	53Y4234	1
Nordics (models B1G E9G E8G H5G H4G)	53Y4235	1

<b>9486 Vista Premium 32 Recovery CDs</b>	<b>FRU#</b>	<b>CRU</b>
US English (models)	46R8141	1
Japanese (models)	64Y6208	1
French (models)	46R8143	1
German (models)	46R8144	1
Spanish (models)	46R8145	1
Italian (models)	46R8146	1
Japanese (models)	46R8142	1
Hong Kong (models)	46R8147	1
Korean (models)	46R8148	1
Athens Vista SP1 MUL 1 P/N's VHP32 (EN FR GR NL) (models)	53Y4236	1
Athens Vista SP1 MUL 2 P/N's VHP32 (EN FR GR IT) (models)	53Y4237	1
Athens Vista SP1 MUL 3P/N's VHP32 (EN DK FI NO SV) (models)	53Y4238	1

<b>9486 Vista Business 64 Recovery CDs</b>	<b>FRU#</b>	<b>CRU</b>
US English (models)	46R8131	1
French (models A2F)	46R8134	1
German (models)	46R8135	1
Japanese (models)	64Y6210	1
Simplified Chinese (models)	46R8133	1

<b>9486 Vista Ultimate 32 Recovery CDs</b>	<b>FRU#</b>	<b>CRU</b>
US English (models)	46R8149	1
Japanese (models)	64Y6209	1
French (models)	46R8151	1
German (models)	46R8152	1
Spanish (models)	46R8153	1
Italian (models)	46R8154	1

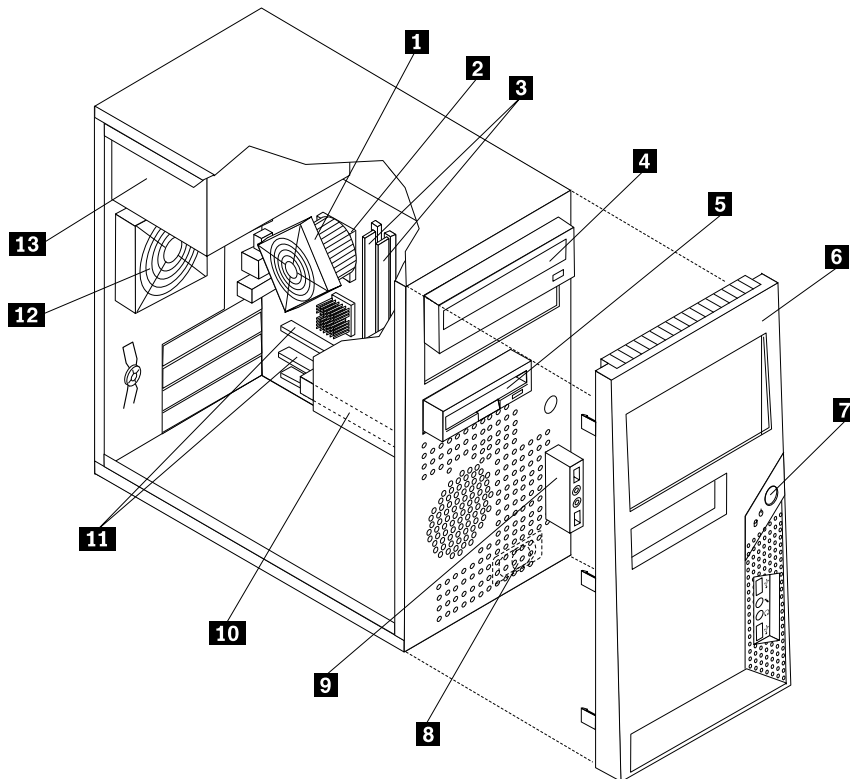
9486 Vista Ultimate 32 Recovery CDs	FRU#	CRU
Hong Kong (models)	46R8155	1
Arabic Localized (models)	46R8156	1
Athens Vista SP1 MUL 1 P/N's VU32 (EN DK FI NO SV) (models)	53Y4239	1

9486 Vista Starter 32 Recovery CDs	FRU#	CRU
English (models)	46R8052	1

9486 Vista Home Premium 64 Recovery CDs	FRU#	CRU
US (models)	71Y6634	1
French (models)	71Y6635	1

9486 Win7 Professional 32	FRU#	CRU
Brazilian Portuguese (all models)	89Y0454	1

## Machine Type 9623



Item #	9623 FRUs	FRU#	CRU
1	AMD 89W&65W 4Pin heatsink (all models)	41R6407	2
2	Microprocessor, Athlon64 4800+ X2 (2.50GHz, 1M L2, 65W) G1 65nm (models)	43C4093	N
2	Microprocessor, Athlon64 5000+ X2 (2.60GHz, 1M L2, 65W) G1 65nm (models A2G )	41X1427	N
2	Microprocessor, Athlon 1640B (2.70GHz, 512K L2, 45W) G2 65nm (models)	45R6488	N

Item #	9623 FRUs	FRU#	CRU
2	Microprocessor, Athlon64 5200+ X2 (2.70GHz, 1M L2, 65W) G1 65nm (models)	45C7502	N
2	Microprocessor, Athlon64 5400B X2(2.80GHz, 1M L2, 65W) G2 65nm (models)	45R6486	N
2	Microprocessor, Athlon64 5600+ X2 (2.90GHz, 1M L2, 89W) G2 65nm (models)	45C7504	N
2	Microprocessor, Athlon BE-2350 X2 (2.10GHz, 1M L2, 45W) G2 65nm (models)	43C6166	N
2	Microprocessor, Athlon BE-2400 X2 (2.30GHz, 1M L2, 45W) G2 65nm (models)	43C6165	N
2	Microprocessor, Athlon 4450B X2 (2.30GHz, 1M L2, 45W) G2 65nm (models)	46R3624	N
2	Microprocessor, Athlon 5000B X2 (2.60GHz, 1M L2, 65W) G2 65nm (models)	46R3625	N
2	Microprocessor, Athlon 5200B X2 (2.70GHz, 1M L2, 65W) G2 65nm (models)	46R3626	N
2	Microprocessor, Athlon LE-1660 (2.8 GHz, 512K L2, 45W) G2 65nm (models CTO)	53Y7722	N
2	Microprocessor, Athlon X2 5600B (2.9 GHz, 1M L2, 65W) G2 65nm (models CTO)	53Y7718	N
2	Microprocessor, Athlon64 X2 6000+ (3.1 GHz, 1M L2, 89W) G2 65nm (models CTO)	53Y7720	N
2	Microprocessor, Sempron LE-1250 (2.20GHz, 512K L2, 45W) G2 65nm (models)	43C6168	N
2	Microprocessor, Sempron LE-1300 (2.30GHz, 512K L2, 45W) G2 65nm (models A1G )	43C8986	N
2	Microprocessor, Sempron 2100 X2 (1.80GHz, 512K L2, 65W) G2 65nm (models)	46R3629	N
2	Microprocessor, Sempron 2200 X2 (2.00GHz, 512K L2, 65W) G2 65nm (models)	46R3630	N
2	Microprocessor, Sempron X2 2300 (2.2GHz, 512K L2, 65W) G2 65nm (models CTO)	53Y7724	N
2	Microprocessor, Sempron 140 (2.7GHz, 1M Total Cache, AM3, 45W) C2 45nm (models 91Z)	71Y6414	N
2	Microprocessor, Phenom 8600B (2.30GHz, 1.5M L2, 2M L3, 95W) stepping B2 65nm (models)	45R6494	N
2	Microprocessor, Phenom 9550 (2.20GHz, 2M L2, 2M L3, 95W) stepping B3 65nm (models)	45R6496	N
2	Microprocessor, Athlon II X2 240 (2.8GHz, 2M Total Cache, AM3, 65W) C2 45nm (models 91Z)	64Y8012	N
2	Microprocessor, Athlon II X2 245 (2.9GHz, 2M Total Cache, AM3, 65W) C2 45nm (models 91Z)	64Y8013	N
2	Microprocessor, Athlon II X3 435 (2.9GHz, 1.5M Total Cache, AM3, 95W) C2 45nm (models 91Z)	64Y8020	N
2	Microprocessor, Phenom II X2 550 (3.1GHz, 7M Total Cache, AM3, 80W) C2 45nm (models 91Z)	64Y8024	N
2	Microprocessor, Phenom II X2 555 (3.2 GHz, 7M Total Cache, AM3, 80W) C3 45nm (models 91Z)	89Y0793	N
2	Microprocesso , Phenom II X3 720 (2.8GHz, 7.5M Total Cache, AM3, 95W) C2 45nm (models 91Z)	64Y8030	N
2	Microprocessor, Phenom II X3 720 (2.8GHz, 7.5M Total Cache, AM3, 95W) C2 45nm (models 91Z)	64Y8035	N
2	Microprocessor, Phenom 9650 (2.30GHz, 2M L2, 2M L3, 95W) stepping B3 65nm (models)	45R6498	N
2	Microprocessor, Phenom 9600B (2.30GHz, 2M L2, 2M L3, 95W) stepping B2 65nm (models)	45R6500	N
2	Microprocessor, Phenom 8450 (2.10GHz, 1.5M L2, 2M L3, 95W) B3 65nm (models)	45R6490	N
2	Microprocessor, Phenom X3 8600B (2.3GHz, 1.5M L2, 2M L3, 95W) B3 65nm (models)	45R6494	N

Item #	9623 FRUs	FRU#	CRU
2	Microprocessor, Phenom 9550 (2.20GHz, 2M L2, 2M L3, 95W) stepping B3 65nm (models CTO)	53Y7709	N
2	Microprocessor, Phenom X4 9750B (2.4 GHz, 512K / 2M L2, 95W) B3 65nm (models CTO)	53Y7711	N
3	Memory module, 512MB PC2-5300 (667MHz) DDR2 SDRAM (models)	41X4255	2
3	Memory module, 512MB PC2-6400 (800MHz) DDR2 SDRAM (models)	41X1079	2
3	Memory module, 1GB PC2-6400 (667MHz) DDR2 SDRAM (models A1G A2G )	41X1080	2
3	Memory module, 2GB PC2-6400 (667MHz) DDR2 SDRAM (models)	41X1081	2
4	DVD-ROM Drive - 16x/48x - With DVD playback software (models A1G)	71Y5543	2
4	DVD-RW/CD-RW Rambo 8 - With write software (models A2G )	71Y5545	2
4	DVD-ROM Drive - 16x/48x - SATA Vista & non-Vista (models A1G )	41N3325	2
4	DVD Recordable/CD-RW Rambo 8 - SATA Vista & non-Vista (models A2G )	43C1042	2
5	Diskette drive, 3.5" 1.44MB 2 Mode FDD with Bezel and cable (models)	40Y9105	2
5	Diskette drive, 3.5" 1.44MB 2 Mode FDD with Bezel and cable (models)	40Y9107	2
6	Bezel assembly, without IBM mark (all models)	41R6243	2
7	Power switch/LED assembly (all models)	41N5284	2
8	Speaker assembly, soldered terminals (all models)	39P5023	2
9	Front audio/USB assembly (all models)	41N8054	2
10	Hard disk drive, SATA 80GB 7200RPM/3Gb/8MB (models)	40Y9034	2
10	Hard disk drive, SATA 160GB 7200RPM/3Gb/8MB (models A1G A2G )	40Y9035	2
10	Hard disk drive, SATA 160GB 7200RPM/3Gb/8MB (models A1G A2G)	53Y6837	2
10	Hard disk drive, SATA 250GB 7200RPM/3Gb/8MB (models)	45K0408	2
10	Hard disk drive, SATA 320GB 7200rpm SATA/8MB (models)	45K0409	2
10	Hard disk drive, SATA 500GB 7200RPM/3Gb/s/8MB (models)	45K0410	2
10	Hard disk drive, SATA 250GB 7200RPM/3Gb/8MB (models)	40Y9036	2
10	Hard disk drive, SATA 320GB 7200rpm SATA/8MB (models)	87H4891	2
10	Hard disk drive, SATA 500GB 7200RPM/3Gb/s/8MB (models)	41X5582	2
11	System board, Planar AMD RS780 mATX (TOWER & ROCKYS) (models A1G A2G)	71Y5724	N
11	System board, Planar AMD RS780 mATX GA Level - TPM Disable for Russia (models A1G A2G)	71Y4994	N
11	System board, Planar AMD RS780 mATX GA Level - Support Phenom II X2 555 (models 91Z)	89Y1346	N
11	System board, Planar AMD RS780 mATX GA Level -Support Win7 and AM3 C2 CPU (models 91Z)	89Y1809	N
12	System fan, rear (all models)	41R6269	2
12	System fan, rear (all models)	43N9908	2
13	Power supply, ATX 280W (Robust, WW) (models A1G A2G )	41A9684	2
13	Power supply, ATX 280W 80% (Robust, WW, JP) (models A1G A2G )	41A9665	2
13	Power supply, ATX 310W (Robust, WW, JP) (models A1G A2G )	41A9726	2
13	Power supply, 220W (Robust, WW) (models A1G A2G )	41A9689	N

Item #	9623 FRUs	FRU#	CRU
13	Power supply, 220W only for JP (models)	41A9697	N
13	Power supply, 220W 80% (Robust, WW, JP) (models A1G A2G )	41A9670	N
13	Power supply, 280W TFX ,Active PFC, (Robust, WW, JP) (models A1G A2G )	41A9705	N

The FRUs listed in the following tables are not illustrated.

9623 FRUs	FRU#	CRU
Cover (all models)	41N8050	2
Retainer, Card Reader (all models)	41R2913	2
Front Fan AVC (all models)	41R4791	2
HDD Tray (all models)	41R6291	2
FDD cable, 325mm, (all models)	41A7182	2
Cabel -SATA 457mm (RoHS) (all models)	43N9013	2
Cabel-SATA 250mm (RoHS) (all models)	43N9012	2
Optional HDD Bracket Asm (all models)	41R6106	2
EMC Shield (all models)	41N8080	2
EMC Shield (all models)	41N8078	2
Rear IO shield ATX,for RX 780,Atlantic (all models)	41R6383	N
Intrusion Switch Asm (all models)	41R6116	2
Temp Sense cable for Armstrong (460 mm) (all models)	41R2509	2
Blank 5.25" Bezel (all models)	41N8077	2
Asm Chassis Without IBM Mark Atlantic (all models)	41R6408	5
ODD/FDD/Cardreader Retainers (all models)	43N9351	2
AMD thermal KIT (all models)	41R6407	2
Cable Clip, FW-6D (all models)	43N9462	2
Fru,Tamdhu chassis primary HDD cage (all models)	45K6272	2

9623 Keyboards (Lenovo Preferred Pro USB -- without hub)	FRU#	CRU Tier
USB FULL--US English (models A1G A2G )	41A5289	1
USB FULL--Arabic (models A1G A2G)	41A5290	1
USB FULL--Arabic/French (models A1G A2G)	41A5291	1
USB FULL--Belgian/French (models A1G A2G)	41A5292	1
USB FULL--Belgium English (models A1G A2G)	41A5293	1
USB FULL--Brazilian Portuguese (models)	41A5294	1
USB FULL--Bulgarian (models A1G A2G)	41A5295	1
USB FULL--Chinese/US (models)	41A5296	1
USB FULL--Czech (ABB) (models A1G A2G)	41A5297	1
USB FULL--Danish (models A1G A2G)	41A5298	1

<b>9623 Keyboards (Lenovo Preferred Pro USB -- without hub)</b>	<b>FRU#</b>	<b>CRU Tier</b>
USB FULL--Dutch (models A1G A2G)	41A5299	1
USB FULL--French (models A1G A2G)	41A5300	1
USB FULL--French Canadian (models A1G A2G)	41A5301	1
USB FULL--French Canadian (models A1G A2G)	41A5302	1
USB FULL--German (models A1G A2G)	41A5303	1
USB FULL--Greek (models A1G A2G)	41A5304	1
USB FULL--Greek/US (models A1G A2G)	41A5305	1
USB FULL--Hebrew (models A1G A2G)	41A5306	1
USB FULL--Hungarian (models A1G A2G)	41A5307	1
USB FULL--Iceland (models A1G A2G)	41A5308	1
USB FULL--Italy (models A1G A2G)	41A5309	1
USB FULL--Japanese (models)	41A5310	1
USB FULL--Korean (models)	41A5311	1
USB FULL--LA Spanish (models)	41A5312	1
USB FULL--Norwegian (models A1G A2G)	41A5313	1
USB FULL--Polish (models A1G A2G)	41A5314	1
USB FULL--Portugese (models A1G A2G)	41A5315	1
USB FULL--Romanian (models A1G A2G)	41A5317	1
USB FULL--Russian/Cyrillic (models A1G A2G)	41A5318	1
USB FULL--Serbian/Cyrillic (models A1G A2G)	41A5319	1
USB FULL--Slovak (models A1G A2G)	41A5320	1
USB FULL--Spanish (models A1G A2G)	41A5321	1
USB FULL--Swedish/Finnish (models A1G A2G)	41A5322	1
USB FULL--Swiss F/G (models A1G A2G)	41A5323	1
USB FULL--Thailand (models)	41A5324	1
USB FULL--Turkish (models A1G A2G)	41A5325	1
USB FULL--Turkish (models A1G A2G)	41A5326	1
USB FULL--UK English (models A1G A2G)	41A5327	1
USB FULL--US Euro (models A1G A2G)	41A5328	1
USB FULL--Slovenian (models)	41A5329	1

<b>9623 Keyboards (Lenovo Fingerprint Reader USB)</b>	<b>FRU#</b>	<b>CRU Tier</b>
US English (models)	41R0038	1
Arabic (models)	41R0039	1
Arabic/French (models)	41R0040	1
Belgian/French (models)	41R0041	1
Belgium English (models)	41R0042	1
Brazilian Portuguese (models)	41R0043	1



<b>9623 Keyboards (Lenovo Fingerprint Reader USB)</b>	<b>FRU#</b>	<b>CRU Tier</b>
Bulgarian (models)	41R0044	1
Chinese/US (models)	41R0045	1
Czech (ABB) (models)	41R0046	1
Danish (models)	41R0047	1
Dutch (models)	41R0048	1
French (models)	41R0049	1
French Canadian (models)	41R0050	1
French Canadian (models)	41R0051	1
German (models)	41R0052	1
Greek (models)	41R0053	1
Greek/US (models)	41R0054	1
Hebrew (models)	41R0055	1
Hungarian (models)	41R0056	1
Iceland (models)	41R0057	1
Italy (models)	41R0058	1
Japanese (models)	41R0059	1
Korean (models)	41R0060	1
LA Spanish (models)	41R0061	1
Norwegian (models)	41R0062	1
Polish (models)	41R0063	1
Portuguese (models)	41R0064	1
Romanian (models)	41R0065	1
Romanian (models)	41R0066	1
Russian/Cyrillic (models)	41R0067	1
Serbian/Cyrillic (models)	41R0068	1
Slovak (models)	41R0069	1
Spanish (models)	41R0070	1
Swedish/Finnish (models)	41R0071	1
Swiss F/G (models)	41R0072	1
Thailand (models)	41R0073	1
Turkish (models)	41R0074	1
Turkish (models)	41R0075	1
UK English (models)	41R0076	1
US Euro (models)	41R0077	1
Slovenian (models)	41R0078	1

<b>9623 Keyboards (Lenovo Preferred Pro PS/2 Full Size)</b>	<b>FRU#</b>	<b>CRU Tier</b>
PS/2 Full--US English (models)	41A5039	1
PS/2 Full--Arabic (models)	41A5040	1
PS/2 Full--Arabic/French (models)	41A5041	1
PS/2 Full--Belgian/French (models)	41A5042	1
PS/2 Full--Belgium English (models)	41A5043	1
PS/2 Full--Brazilian Portuguese (models)	41A5044	1
PS/2 Full--Bulgarian (models)	41A5045	1
PS/2 Full--Chinese/US (models)	41A5046	1
PS/2 Full--Czech (ABB) (models)	41A5047	1
PS/2 Full--Danish (models)	41A5048	1
PS/2 Full--Dutch (models)	41A5049	1
PS/2 Full--French (models)	41A5050	1
PS/2 Full--French Canadian (models)	41A5051	1
PS/2 Full--French Canadian (models)	41A5052	1
PS/2 Full--German (models)	41A5053	1
PS/2 Full--Greek (models)	41A5054	1
PS/2 Full--Greek/US (models)	41A5080	1
PS/2 Full--Hebrew (models)	41A5055	1
PS/2 Full--Hungarian (models)	41A5056	1
PS/2 Full--Iceland (models)	41A5057	1
PS/2 Full--Italy (models)	41A5058	1
PS/2 Full--Japanese (models)	41A5059	1
PS/2 Full--Korean (models)	41A5060	1
PS/2 Full--LA Spanish (models)	41A5061	1
PS/2 Full--Norwegian (models)	41A5062	1
PS/2 Full--Polish (models)	41A5063	1
PS/2 Full--Portugese (models)	41A5064	1
PS/2 Full--Romanian (models)	41A5065	1
PS/2 Full--Russian/Cyrillic (models)	41A5066	1
PS/2 Full--Serbian/Cyrillic (models)	41A5067	1
PS/2 Full--Slovak (models)	41A5068	1
PS/2 Full--Spanish (models)	41A5069	1
PS/2 Full--Swedish/Finnish (models)	41A5070	1
PS/2 Full--Swiss F/G (models)	41A5071	1
PS/2 Full--Thailand (models)	41A5072	1
PS/2 Full--Turkish (models)	41A5073	1
PS/2 Full--Turkish (models)	41A5074	1
PS/2 Full--UK English (models)	41A5075	1

<b>9623 Keyboards (Lenovo Preferred Pro PS/2 Full Size)</b>	<b>FRU#</b>	<b>CRU Tier</b>
PS/2 Full--US Euro (models)	41A5076	1
PS/2 Full--Slovenian (models)	41A5077	1

<b>9623 mice</b>	<b>FRU#</b>	<b>CRU</b>
Optical Wheel Mouse (400DPI, USB) (models A1G A2G )	41U3013	1
Optical Wheel Mouse (400DPI, USB) (models A1G A2G )	41U3030	1
PS/2 Three Button ball mouse (41R0017) (models)	41R0018	1

<b>9623 Adapters and miscellaneous FRUs</b>	<b>FRU#</b>	<b>CRU</b>
Internal USB Memory Card Reader floppy bay (models)	41R3378	2
Internal 20 in 1 USB Memory Card Reader (models)	45R8139	1
NVIDIA GeForce 9300 GE 256M Full Height (DVI+VGA) (TOWER) (models CTO)	45R5494	2
ATI HD 2600XT 512MB 128BIT ATX (models)	43C0261	2
IEEE 1394 Firewire Adapter SFF (models)	41D2781	2
IEEE 1394 Firewire Adapter ATX (models)	41D2781	2
Soft Modem V.90/V.44 SFF (models)	29R9729	2
Soft Modem V.90/V.44 ATX (models)	29R9729	2
ATI HD 2400PRO 128MB 64BIT DMS59 ATX (models)	43C0259	2
ATI HD 2400XT 256MB 64BIT DMS59 ATX Secondary (models)	46R4160	2
Speaker Power brick - US, Canada, LA low voltage, ASEAN (models)	89P8571	1
Speaker Power brick - LA high voltage (non-APU) (models)	89P8575	1
Speaker Power brick - SIMPLIFIED -CHN, Thailand EMEA (models A1G A2G )	89P8581	1
Speaker Power brick - Japan (models)	89P8577	1
Speaker Power brick - Brazil (models)	89P8583	1
Speaker Power brick - Argentina (models)	41A4901	1
Speaker Power brick - ANZ (models)	89P8579	1
Speaker Power brick - Korean (models)	41A4903	1
Speaker Power brick - Hong Kong, EMEA (models)	89P8573	1
Speaker Power brick -TAIWAN-TC (models)	41A4905	1
Speaker Power brick - India, South Africa (models)	89P8585	1
Dongle DMS Dule DMS-59 to dual VGA Cable (models)	42Y8181	2
Dongle DMS Dule DMS-59 to dual DVI Cable (models)	41X6398	2
Dongle DMS Dule DMS-59 to single VGA & single DVI Cable (models)	42Y8183	2
2-pc external speaker--primary (models)	41A5331	1
2-pc external speaker-secondary (models)	41A5334	1
DVI-I(M)-VGA(F) cord (models)	41R3342	2
Battery 3V- Lithium (models A1G A2G)	45C1566	1
HD 3470 256M 64bit DP ATX/LP (models)	46R1521	2

<b>9623 Adapters and miscellaneous FRUs</b>	<b>FRU#</b>	<b>CRU</b>
DP to DVI dongle (models)	43N9160	2
Bitland 88E8075 1000M PCIE DASH NIC FH (R)(Rocky) (models)	53Y4008	2
AMD Display Port card LP® (Rocky) (models)	53Y4002	1
MSI 9500GT 512MB 128BIT ATX (TOWER) (models)	46R1524	2

<b>9623 Power Cords</b>	<b>FRU#</b>	<b>CRU</b>
Power cord - US (models)	41R3184	1
Power cord - US (models)	41R3185	1
Power cord - China (models)	41R3256	1
Power cord - China (models)	41R3257	1
Power cord - Japanese and Japanese English (models)	41R3248	1
Power cord - Japanese and Japanese English (models)	41R3249	1
Power cord - Brazil (Portigese) (models)	41R3270	1
Power cord - Brazil (Portigese) (models)	41R3271	1
Power cord - LA High Volt (APU) (models)	41R3176	1
Power cord - LA High Volt (APU) (models)	41R3177	1
Power cord - ANZ (models)	41R3196	1
Power cord - ANZ (models)	41R3197	1
Power cord - Korea (models)	41R3260	1
Power cord - Korea (models)	41R3261	1
Power cord - UK, Ireland, Singapore, Malaysia, Brunei, Hongkong (models)	41R3224	1
Power cord - UK, Ireland, Singapore, Malaysia, Brunei, Hongkong (models)	41R3225	1
Power cord - Taiwan (models)	41R3278	1
Power cord - Taiwan (models)	41R3279	1
Power cord - Italy (models)	41R3232	1
Power cord - Italy (models)	41R3233	1
Power cord - Indonesia, Laos, Cambodia, Vietnam, Austria, Belgium, Croatia, Czechoslovakia, Finland, France, Germany, Hungary, Netherlands, Norway, Poland, Portugal, Romania, Spain, Sweden (models)	41R3208	1
Power cord - Indonesia, Laos, Cambodia, Vietnam, Austria, Belgium, Croatia, Czechoslovakia, Finland, France, Germany, Hungary, Netherlands, Norway, Poland, Portugal, Romania, Spain, Sweden (models)	41R3209	1
Power cord - Denmark (models A1G A2G )	41R3212	1
Power cord - Denmark (models A1G A2G)	41R3213	1
Power cord - Switzerland (models A1G A2G)	41R3228	1
Power cord - Switzerland (models A1G A2G)	41R3229	1
Power cord - Israel (models A1G A2G)	41R3236	1
Power cord - Israel (models A1G A2G)	41R3237	1
Power cord - South Africa (models A1G A2G)	41R3220	1
Power cord - South Africa (models A1G A2G)	41R3221	1

<b>9623 Power Cords</b>	<b>FRU#</b>	<b>CRU</b>
Power cord - India (models)	41R3341	1
Power cord - India (models)	41R3175	1
Power cord - Thailand (models)	43N9029	1
Power cord - Thailand (models)	43N9030	1
Power cord - Brazil (models)	43N9044	1

<b>9623 Windows XP Home Recovery CDs</b>	<b>FRU#</b>	<b>CRU</b>
US English/UK/Asia Pacific (models)	TBD	1
French/French Canadian (models)	TBD	1
Greek (models)	TBD	1
Italy (models)	TBD	1
Brazilian (models)	TBD	1
Spanish/LA (models)	TBD	1
Danish (models)	TBD	1
Dutch (models)	TBD	1
Arabic (models)	TBD	1
SV (Swedish) (models)	TBD	1
Hebrew (models)	TBD	1
Finnish (models)	TBD	1
Norwegian (models)	TBD	1
Polish (models)	TBD	1
Portugese (models)	TBD	1
Russian (models)	TBD	1
Russian English (models)	TBD	1
Hungarian (models)	TBD	1
Czech (models)	TBD	1
Turkish native (models)	TBD	1
Greek (models)	TBD	1
Japanese (models)	TBD	1
Simplified Chinese (models)	TBD	1
Taiwan-TC (models)	TBD	1
Hong Kong-TC (models)	TBD	1
Korean (models)	TBD	1

<b>9623 Windows XP Pro Recovery CDs</b>	<b>FRU#</b>	<b>CRU</b>
English (models)	64Y5588	1
Japanese (models)	64Y6202	1
Simplified Chinese (models)	64Y5590	1
Spanish (models)	64Y5591	1

<b>9623 Windows XP Pro Recovery CDs</b>	<b>FRU#</b>	<b>CRU</b>
French (models)	64Y5592	1
Italian (models)	64Y5593	1
Brazilian Portuguese (models)	64Y5594	1
German (models)	64Y5595	1
Hong Kong (models)	64Y5596	1
Swedish (models)	64Y5597	1
Danish (models)	64Y5598	1
Norway (models)	64Y5599	1
Finland (models)	64Y5600	1
Arabic (models)	64Y5601	1
Traditional Chinese (models)	64Y5602	1
Russian (models)	64Y5603	1
Polish (models)	64Y5604	1
Hebrew (models)	64Y5605	1
Korea (models)	64Y5606	1
Greek (models)	64Y5607	1
Turkish (models)	64Y5608	1
Dutch (models)	64Y5609	1
Slovenian (models)	64Y5610	1
Hungarian (models)	64Y5611	1
Czech (models)	64Y5612	1
Portuguese (models)	64Y5613	1
Russian English (models)	64Y5614	1
MUI Nordics (EN-DK-FI-NO-SV) (models CTO)	71Y6401	1
MUI Switz (EN-FR-GR-IT) (models CTO)	71Y6402	1
MUI Bel-Lux (EN-FR-GR-NL) (models CTO)	71Y6403	1

<b>9623 Vista Home Basic 32 Recovery CDs</b>	<b>FRU#</b>	<b>CRU</b>
US English (models)	46R8053	1
French (models)	46R8057	1
German (models)	46R8060	1
Spanish (models)	46R8056	1
Brazilian (models)	46R8059	1
Italian (models)	46R8058	1
Japanese (models)	64Y6207	1
Dutch (models)	46R8070	1
Czech (models)	46R8074	1
Polish (models)	46R8065	1
Russian (models)	46R8064	1

<b>9623 Vista Home Basic 32 Recovery CDs</b>	<b>FRU#</b>	<b>CRU</b>
Turkish (models)	46R8069	1
Hungarian (models)	46R8073	1
Greek (models)	46R8068	1
Portuguese (models)	46R8077	1
Hong Kong (models)	46R8061	1
Traditional Chinese (models)	46R8063	1
Korean (models)	46R8067	1
Slovenian (models)	46R8071	1
Russian English (models)	46R8078	1
Hebrew (models)	46R8066	1
Arabic Localized (models)	46R8062	1
Slovakian (models)	46R8075	1
Simplified Chinese (models)	46R8055	1
Serbian-Latin (models)	46R8076	1
Romanian (models)	46R8072	1
Belgium-Luxembourg (models)	53Y4230	1
Switzerland (models)	53Y4231	1
Nordics (models)	53Y4232	1

<b>9623 Vista Business 32 Recovery CDs</b>	<b>FRU#</b>	<b>CRU</b>
US English (models)	46R8079	1
French (models)	46R8083	1
German (models)	46R8086	1
Spanish (models)	46R8082	1
Brazilian (models)	46R8085	1
Italian (models)	46R8084	1
Japanese (models)	64Y6205	1
English for Indian (models A1G A2G)	64Y9435	1
Dutch (models)	46R8096	1
Czech (models)	46R8100	1
Polish (models)	46R8091	1
Russian (models)	46R8090	1
Turkish (models)	46R8095	1
Hungarian (models)	46R8099	1
Greek (models)	46R8094	1
Portuguese (models)	46R8103	1
Simplified Chinese (models)	46R8081	1
Hong Kong (models)	46R8087	1
Traditional Chinese (models)	46R8089	1

<b>9623 Vista Business 32 Recovery CDs</b>	<b>FRU#</b>	<b>CRU</b>
Korean (models)	46R8093	1
Slovenian (models)	46R8097	1
Russian English (models)	46R8104	1
Romanian (models)	46R8098	1
Sebian-Latin (models)	46R8102	1
Hebrew (models)	46R8092	1
Arabic Localized (models)	46R8088	1
Slovakian (models)	46R8101	1
Belgium-Luxembourg (models A1G A2G)	53Y4233	1
Switzerland (models A1G A2G)	53Y4234	1
Nordics (models A1G A2G)	53Y4235	1

<b>9623 Vista Premium 32 Recovery CDs</b>	<b>FRU#</b>	<b>CRU</b>
US English (models)	46R8141	1
French (models)	46R8143	1
German (models)	46R8144	1
Spanish (models)	46R8145	1
Italian (models)	46R8146	1
Japanese (models)	64Y6208	1
Hong Kong (models)	46R8147	1
Korean (models)	46R8148	1
Athens Vista SP1 MUL 1 P/N's VHP32 (EN FR GR NL) (models)	53Y4236	1
Athens Vista SP1 MUL 2 P/N's VHP32 (EN FR GR IT) (models)	53Y4237	1
Athens Vista SP1 MUL 3P/N's VHP32 (EN DK FI NO SV) (models)	53Y4238	1

<b>9623 Vista Business 64 Recovery CDs</b>	<b>FRU#</b>	<b>CRU</b>
US English (models)	46R8131	1
French (models)	46R8134	1
German (models)	46R8135	1
Japanese (models)	64Y6210	1
Simplified Chinese (models)	46R8133	1

<b>9623 Vista Ultimate 32 Recovery CDs</b>	<b>FRU#</b>	<b>CRU</b>
US English (models)	46R8149	1
Japanese (models)	64Y6209	1
French (models)	46R8151	1
German (models)	46R8152	1
Spanish (models)	46R8153	1
Italian (models)	46R8154	1

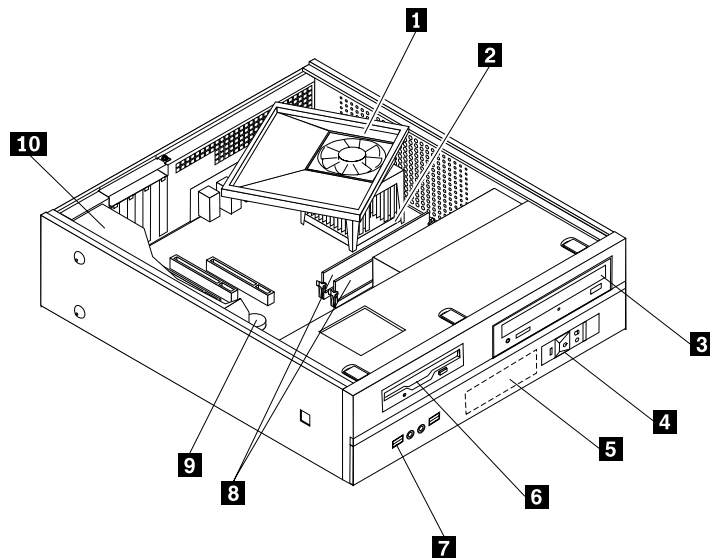


9623 Vista Ultimate 32 Recovery CDs	FRU#	CRU
Hong Kong (models)	46R8155	1
Arabic Localized (models)	46R8156	1
Athens Vista SP1 MUL 1 P/N's VU32 (EN DK FI NO SV) (models)	53Y4239	1

9623 Vista Home Premium 64 Recovery CDs	FRU#	CRU
US (models)	71Y6634	1
French (models)	71Y6635	1

9623 Win7 Professional 32	FRU#	CRU
Brazilian Portuguese (all models)	89Y0454	1

## Machine Type 9624



Item #	9624 FRUs	FRU#	CRU
1	AMD 89W&65W 4Pin heatsink (ROCKYS) (all models)	41R6407	2
2	Microprocessor, Athlon64 4800+ X2 (2.50GHz, 1M L2, 65W) G1 65nm (models)	43C4093	N
2	Microprocessor, Athlon64 5000+ X2 (2.60GHz, 1M L2, 65W) G1 65nm (models A2G )	41X1427	N
2	Microprocessor, Athlon 1640B (2.70GHz, 512K L2, 45W) G2 65nm (models CTO)	45R6488	N
2	Microprocessor, Athlon64 5200+ AM2 X2 (2.7 GHz processor, 65W) stepping G1 65nm (models)	45C7502	N
2	Microprocessor, Athlon64 5400B X2(2.80GHz, 1M L2, 65W) G2 65nm (models CTO)	45R6486	N
2	Microprocessor, Athlon64 5600+ X2 (2.90GHz, 1M L2, 89W) G2 65nm (models)	45C7504	N
2	Microprocessor, Athlon X2 BE 2350 (2.1GHz processor, 45W, 1MB L2) steping G1 (models)	43C6166	N
2	Microprocessor, Athlon X2 BE 2400 (2.3GHz processor, 45W, 1MB L2) steping G1 (models)	43C6165	N
2	Microprocessor, Athlon 4450B X2 (2.30GHz, 1M L2, 45W) G2 65nm (models)	46R3624	N

Item #	9624 FRUs	FRU#	CRU
2	Microprocessor, Athlon 5000B X2 (2.60GHz, 1M L2, 65W) G2 65nm (models CTO)	46R3625	N
2	Microprocessor, Athlon 5200B X2 (2.70GHz, 1M L2, 65W) G2 65nm (models CTO)	46R3626	N
2	Microprocessor, Athlon LE-1660 (2.8 GHz, 512K L2, 45W) G2 65nm (models CTO)	53Y7722	N
2	Microprocessor, Athlon X2 5600B (2.9 GHz, 1M L2, 65W) G2 65nm (models CTO)	53Y7718	N
2	Microprocessor, Athlon64 X2 6000+ (3.1 GHz, 1M L2, 89W) G2 65nm (models CTO)	53Y7720	N
2	Microprocessor, Sempron LE-1250 (2.20GHz, 512K L2, 45W) G2 65nm (models)	43C6168	N
2	Microprocessor, Sempron LE-1300 (2.30GHz, 512K L2, 45W) G2 65nm (models A1G )	43C8986	N
2	Microprocessor, Sempron 2100 X2 (1.80GHz, 512K L2, 65W) G2 65nm (models)	46R3629	N
2	Microprocessor, Sempron 2200 X2 (2.00GHz, 512K L2, 65W) G2 65nm (models)	46R3630	N
2	Microprocessor, Sempron X2 2300 (2.2GHz, 512K L2, 65W) G2 65nm (models CTO)	53Y7724	N
2	Microprocessor, Sempron 140 (2.7GHz, 1M Total Cache, AM3, 45W) C2 45nm (models 91Z)	71Y6414	N
2	Microprocessor, Phenom 8600B (2.30GHz, 1.5M L2, 2M L3, 95W) stepping B2 65nm (models)	45R6494	N
2	Microprocessor, Phenom 9550 (2.20GHz, 2M L2, 2M L3, 95W) stepping B3 65nm (models)	45R6496	N
2	Microprocessor ,Athlon II X2 240 (2.8GHz, 2M Total Cache, AM3, 65W) C2 45nm (models 91Z)	64Y8012	N
2	Microprocessor, Athlon II X2 245 (2.9GHz, 2M Total Cache, AM3, 65W) C2 45nm (models 91Z)	64Y8013	N
2	Microprocessor, Athlon II X3 435 (2.9GHz, 1.5M Total Cache, AM3, 95W) C2 45nm (models 91Z)	64Y8020	N
2	Microprocessor, Phenom II X2 550 (3.1GHz, 7M Total Cache, AM3, 80W) C2 45nm (models 91Z)	64Y8024	N
2	Microprocessor, Phenom II X2 555 (3.2 GHz, 7M Total Cache, AM3, 80W) C3 45nm (models 91Z)	89Y0793	N
2	Microprocessor, Phenom II X3 720 (2.8GHz, 7.5M Total Cache, AM3, 95W) C2 45nm (models 91Z)	64Y8030	N
2	Microprocessor, Phenom II X4 910 (2.6GHz, 8M Total Cache, AM3, 95W) C2 45nm (models 91Z)	64Y8035	N
2	Microprocessor, Phenom 9650 (2.30GHz, 2M L2, 2M L3, 95W) stepping B3 65nm (models)	45R6498	N
2	Microprocessor, Phenom 9600B (2.30GHz, 2M L2, 2M L3, 95W) stepping B2 65nm (models)	45R6500	N
2	Microprocessor, Phenom 8450 (2.10GHz, 1.5M L2, 2M L3, 95W) B3 65nm (models CTO)	45R6490	N
2	Microprocessor, Phenom X3 8600B (2.3GHz, 1.5M L2, 2M L3, 95W) B3 65nm (models)	45R6494	N
2	Microprocessor, Phenom 9550 (2.20GHz, 2M L2, 2M L3, 95W) stepping B3 65nm (models CTO)	53Y7709	N
2	Microprocessor, Phenom X4 9750B (2.4 GHz, 512K / 2M L2, 95W) B3 65nm (models CTO)	53Y7711	N
3	DVD-ROM Drive - 16x/48x - SATA Vista & non-Vista (models A1G )	41N3325	2
3	DVD-ROM Drive - 16x/48x - With DVD playback software (models A1G )	71Y5543	2
3	DVD Recordable/CD-RW Rambo 8 - SATA Vista & non-Vista (models A2G )	43C1042	2

Item #	9624 FRUs	FRU#	CRU
3	DVD-RW/CD-RW Rambo 8 - With write software (models A1G )	71Y5545	2
4	Front Power/LED PC, bracket, and cable (all models)	41N8213	2
5	Hard disk drive, 80GB, 7200RPM, SATA (models)	40Y9034	2
5	Hard disk drive, 160GB, 7200RPM, SATA (models A1G A2G)	40Y9035	2
5	Hard disk drive, SATA 160GB 7200RPM/3Gb/8MB (models A1G A2G)	53Y6837	2
5	Hard disk drive, SATA 250GB 7200RPM/3Gb/8MB (models)	45K0408	2
5	Hard disk drive, SATA 320GB 7200rpm SATA/8MB (models)	45K0409	2
5	Hard disk drive, SATA 500GB 7200RPM/3Gb/s/8MB (models)	45K0410	2
5	Hard disk drive, 250GB, 7200RPM, SATA (models)	40Y9036	2
5	Hard disk drive, 320GB 7200rpm SATA/8MB (models)	87H4891	2
5	Hard disk drive, SATA 500GB 7200RPM/3Gb/s/8MB (models)	41X5582	2
6	Diskette drive, 3.5" 1.44MB 2 Mode FDD with Bezel and cable (models)	40Y9105	2
6	Diskette drive, 3.5" 1.44MB 2 Mode FDD with Bezel and cable (models)	40Y9107	2
7	Front USB/Audio with bracket (all models)	41N8212	2
8	Memory module, 512 MB PC2-5300 (667MHz) DDR2 SDRAM (models)	41X4255	2
8	Memory module, 512MB PC2-6400 (800MHz) DDR2 SDRAM (models)	41X1079	2
8	Memory module, 1GB PC2-6400 (667MHz) DDR2 SDRAM (models A1G A2G )	41X1080	2
8	Memory module, 2GB PC2-6400 (667MHz) DDR2 SDRAM (models)	41X1081	2
9	System board, Planar AMD RS780 mATX (TOWER & ROCKYS) (models A1G A2G)	71Y5724	N
9	System board, Planar AMD RS780 mATX GA Level - TPM Disable for Russia (models A1G A2G)	71Y4994	N
9	System board, Planar AMD RS780 mATX GA Level - Support Phenom II X2 555 (models 91Z)	89Y1346	N
9	System board, Planar AMD RS780 mATX GA Level -Support Win7 and AM3 C2 CPU (models 91Z)	89Y1809	N
10	Power Supply, ATX 280 Watt world wide (models A1G A2G )	41A9684	2
10	Power Supply, ATX 280 Watt 80% world wide and Japan (models A1G A2G)	41A9665	2
10	Power Supply, ATX 310 Watt world wide and Japan (models A1G A2G)	41A9726	2
10	Power Supply, 220 Watt world wide (models A1G A2G)	41A9689	N
10	Power Supply, 220 Watt only for Japan (models)	41A9697	N
10	Power Supply, 220 Watt 80% world wide and Japan (models A1G A2G)	41A9670	N
10	Power Supply, 280 Watt TFX Active PFC, world wide and Japan (models A1G A2G)	41A9705	N

The FRUs listed in the following tables are not illustrated.

9624 FRUs	FRU#	CRU
Fru rear IO shield ATX,for RX 780,Atlantic (all models)	41R6383	N
FDD Cable (all models)	41A7147	2
Cabel-SATA 250mm (RoHS) (all models)	43N9012	2
EMC Shield, Blank 5.25 (all models)	41N8271	2

<b>9624 FRUs</b>	<b>FRU#</b>	<b>CRU</b>
EMC Shield, Blank FDD (all models)	41N8273	2
Cover, Rocky S3 (all models)	41N8204	2
Mechanical shell kit Rocky S4 (all models)	43N9374	N
Bezel kit, Rocky S3 without IBM logo (all models)	41R6238	2
Misc Hardware Kit (all models)	41N8209	2
HDD Bracket Asm (plastic and grommets) (all models)	41N8210	2
HDD Fan and bracket asm (all models)	41R6325	2
Speaker Cable Asm, 600 mm cable length (all models)	41N8217	2
Rear Com2 cable II LP (all models)	42Y8008	2
Rear USB 2Ports II LP (all models)	42Y8006	2
Foot stand ASM for ACE rocky S3 (all models)	41R4813	1
Instruction switch Asm (all models)	41R6208	2
RM Asm, AMD (all models)	41R2507	N
Temp Sense Cable (165 mm) (all models)	43N9079	2
Fru-Cable, MINI,COM2 CABLE(ROHS) (all models)	41R6198	2

<b>9624 Keyboards (Lenovo Preferred Pro USB -- without hub)</b>	<b>FRU#</b>	<b>CRU Tier</b>
USB FULL--US English (models A1G A2G )	41A5289	1
USB FULL--Arabic (models A1G A2G)	41A5290	1
USB FULL--Arabic/French (models A1G A2G)	41A5291	1
USB FULL--Belgian/French (models A1G A2G)	41A5292	1
USB FULL--Belgium English (models A1G A2G)	41A5293	1
USB FULL--Brazilian Portuguese (models)	41A5294	1
USB FULL--Bulgarian (models A1G A2G)	41A5295	1
USB FULL--Chinese/US (models)	41A5296	1
USB FULL--Czech (ABB) (models A1G A2G)	41A5297	1
USB FULL--Danish (models A1G A2G)	41A5298	1
USB FULL--Dutch (models A1G A2G)	41A5299	1
USB FULL--French (models A1G A2G)	41A5300	1
USB FULL--French Canadian (models A1G A2G)	41A5301	1
USB FULL--French Canadian (models A1G A2G)	41A5302	1
USB FULL--German (models A1G A2G)	41A5303	1
USB FULL--Greek (models A1G A2G)	41A5304	1
USB FULL--Greek/US (models A1G A2G)	41A5305	1
USB FULL--Hebrew (models A1G A2G)	41A5306	1
USB FULL--Hungarian (models A1G A2G)	41A5307	1
USB FULL--Iceland (models A1G A2G)	41A5308	1
USB FULL--Italy (models A1G A2G)	41A5309	1

<b>9624 Keyboards (Lenovo Preferred Pro USB -- without hub)</b>	<b>FRU#</b>	<b>CRU Tier</b>
USB FULL--Japanese (models)	41A5310	1
USB FULL--Korean (models)	41A5311	1
USB FULL--LA Spanish (models)	41A5312	1
USB FULL--Norwegian (models A1G A2G)	41A5313	1
USB FULL--Polish (models A1G A2G)	41A5314	1
USB FULL--Portuguese (models A1G A2G)	41A5315	1
USB FULL--Romanian (models A1G A2G)	41A5317	1
USB FULL--Russian/Cyrillic (models A1G A2G)	41A5318	1
USB FULL--Serbian/Cyrillic (models A1G A2G)	41A5319	1
USB FULL--Slovak (models A1G A2G)	41A5320	1
USB FULL--Spanish (models A1G A2G)	41A5321	1
USB FULL--Swedish/Finnish (models A1G A2G)	41A5322	1
USB FULL--Swiss F/G (models A1G A2G)	41A5323	1
USB FULL--Thailand (models)	41A5324	1
USB FULL--Turkish (models A1G A2G)	41A5325	1
USB FULL--Turkish (models A1G A2G)	41A5326	1
USB FULL--UK English (models A1G A2G)	41A5327	1
USB FULL--US Euro (models A1G A2G)	41A5328	1
USB FULL--Slovenian (models)	41A5329	1

<b>9624 Keyboards (Lenovo Fingerprint Reader USB)</b>	<b>FRU#</b>	<b>CRU Tier</b>
US English (models)	41R0038	1
Arabic (models)	41R0039	1
Arabic/French (models)	41R0040	1
Belgian/French (models)	41R0041	1
Belgium English (models)	41R0042	1
Brazilian Portuguese (models)	41R0043	1
Bulgarian (models)	41R0044	1
Chinese/US (models)	41R0045	1
Czech (ABB) (models)	41R0046	1
Danish (models)	41R0047	1
Dutch (models)	41R0048	1
French (models)	41R0049	1
French Canadian (models)	41R0050	1
French Canadian (models)	41R0051	1
German (models)	41R0052	1
Greek (models)	41R0053	1
Greek/US (models)	41R0054	1

<b>9624 Keyboards (Lenovo Fingerprint Reader USB)</b>	<b>FRU#</b>	<b>CRU Tier</b>
Hebrew (models)	41R0055	1
Hungarian (models)	41R0056	1
Iceland (models)	41R0057	1
Italy (models)	41R0058	1
Japanese (models)	41R0059	1
Korean (models)	41R0060	1
LA Spanish (models)	41R0061	1
Norwegian (models)	41R0062	1
Polish (models)	41R0063	1
Portuguese (models)	41R0064	1
Romanian (models)	41R0065	1
Romanian (models)	41R0066	1
Russian/Cyrillic (models)	41R0067	1
Serbian/Cyrillic (models)	41R0068	1
Slovak (models)	41R0069	1
Spanish (models)	41R0070	1
Swedish/Finnish (models)	41R0071	1
Swiss F/G (models)	41R0072	1
Thailand (models)	41R0073	1
Turkish (models)	41R0074	1
Turkish (models)	41R0075	1
UK English (models)	41R0076	1
US Euro (models)	41R0077	1
Slovenian (models)	41R0078	1

<b>9624 Keyboards (Lenovo Preferred Pro PS/2 Full Size)</b>	<b>FRU#</b>	<b>CRU Tier</b>
PS/2 Full--US English (models)	41A5039	1
PS/2 Full--Arabic (models)	41A5040	1
PS/2 Full--Arabic/French (models)	41A5041	1
PS/2 Full--Belgian/French (models)	41A5042	1
PS/2 Full--Belgium English (models)	41A5043	1
PS/2 Full--Brazilian Portuguese (models)	41A5044	1
PS/2 Full--Bulgarian (models)	41A5045	1
PS/2 Full--Chinese/US (models)	41A5046	1
PS/2 Full--Czech (ABB) (models)	41A5047	1
PS/2 Full--Danish (models)	41A5048	1
PS/2 Full--Dutch (models)	41A5049	1
PS/2 Full--French (models)	41A5050	1

<b>9624 Keyboards (Lenovo Preferred Pro PS/2 Full Size)</b>	<b>FRU#</b>	<b>CRU Tier</b>
PS/2 Full--French Canadian (models)	41A5051	1
PS/2 Full--French Canadian (models)	41A5052	1
PS/2 Full--German (models)	41A5053	1
PS/2 Full--Greek (models)	41A5054	1
PS/2 Full--Greek/US (models)	41A5080	1
PS/2 Full--Hebrew (models)	41A5055	1
PS/2 Full--Hungarian (models)	41A5056	1
PS/2 Full--Iceland (models)	41A5057	1
PS/2 Full--Italy (models)	41A5058	1
PS/2 Full--Japanese (models)	41A5059	1
PS/2 Full--Korean (models)	41A5060	1
PS/2 Full--LA Spanish (models)	41A5061	1
PS/2 Full--Norwegian (models)	41A5062	1
PS/2 Full--Polish (models)	41A5063	1
PS/2 Full--Portuguese (models)	41A5064	1
PS/2 Full--Romanian (models)	41A5065	1
PS/2 Full--Russian/Cyrillic (models)	41A5066	1
PS/2 Full--Serbian/Cyrillic (models)	41A5067	1
PS/2 Full--Slovak (models)	41A5068	1
PS/2 Full--Spanish (models)	41A5069	1
PS/2 Full--Swedish/Finnish (models)	41A5070	1
PS/2 Full--Swiss F/G (models)	41A5071	1
PS/2 Full--Thailand (models)	41A5072	1
PS/2 Full--Turkish (models)	41A5073	1
PS/2 Full--Turkish (models)	41A5074	1
PS/2 Full--UK English (models)	41A5075	1
PS/2 Full--US Euro (models)	41A5076	1
PS/2 Full--Slovenian (models)	41A5077	1

<b>9624 mice</b>	<b>FRU#</b>	<b>CRU</b>
Optical Wheel Mouse OPT (400DPI, USB) ((models A1G A2G)	41U3013	1
Optical Wheel Mouse OPT (400DPI, USB) ((models A1G A2G)	41U3030	1
PS/2 Three Button ball mouse scrollpoint (41R0017) (models)	41R0018	1

<b>9624 Adapters and miscellaneous FRUs</b>	<b>FRU#</b>	<b>CRU</b>
Internal USB Memory Card Reader floppy bay (models)	41R3378	2
Internal 20 in 1 USB Memory Card Reader (models CTO)	45R8139	1
NVIDIA GeForce 9300 GE 256M Low Profile (1*DVI) (Rockey) (models CTO)	53Y5823	2

<b>9624 Adapters and miscellaneous FRUs</b>	<b>FRU#</b>	<b>CRU</b>
ATI HD 2600XT 512MB 128BIT ATX (models)	43C0261	2
IEEE 1394 Firewire Adapter SFF (models)	41D2781	2
IEEE 1394 Firewire Adapter ATX (models)	41D2781	2
Soft Modem V.90/V.44 SFF (models)	29R9729	2
Soft Modem V.90/V.44 ATX (models)	29R9729	2
ATI HD 2400PRO 128MB 64BIT DMS59 LP (models)	43C0259	2
ATI HD 2400PRO 128MB 64BIT DMS59 ATX (models)	43C0259	2
ATI HD 2400XT 256MB 64BIT DMS59 LP Secondary (models)	64Y3997	2
Speaker Power brick - US, Canada, LA low voltage, ASEAN (models)	89P8571	1
Speaker Power brick - LA high voltage (non-APU) (models)	89P8575	1
Speaker Power brick - SIMPLIFIED -CHN, Thailand EMEA (models A1G A2G )	89P8581	1
Speaker Power brick - Japan (models)	89P8577	1
Speaker Power brick - Brazil (models)	89P8583	1
Speaker Power brick - Argentina (models)	41A4901	1
Speaker Power brick - ANZ (models)	89P8579	1
Speaker Power brick - Korean (models)	41A4903	1
Speaker Power brick - Hong Kong, EMEA (models A1G A2G )	89P8573	1
Speaker Power brick -TAIWAN-TC (models)	41A4905	1
Speaker Power brick - India, South Africa (models)	89P8585	1
Dongle DMS Dule DMS-59 to dual VGA Cable (models)	42Y8181	2
Dongle DMS Dule DMS-59 to dual DVI Cable (models)	41X6398	2
Dongle DMS Dule DMS-59 to single VGA & single DVI Cable (models)	42Y8183	2
2-pc external speaker--primary (models)	41A5331	1
2-pc external speaker-secondary (models)	41A5334	1
DVI-I(M)-VGA(F) cord (models CTO)	41R3342	2
Battery 3V- Lithium (models A1G A2G)	45C1566	1
HD 3470 256M 64bit DP ATX/LP (models)	64Y4498	2
DP to DVI dongle (models)	43N9160	2
Bitland 88E8075 1000M PCIE DASH NIC FH (R) (Rocky) (models)	53Y4008	2
AMD Display Port card LP® (Rocky) (models)	53Y4002	1

<b>9624 Windows XP Pro Recovery CDs</b>	<b>FRU#</b>	<b>CRU</b>
English (models)	64Y5588	1
Japanese (models)	64Y6202	1
Simplified Chinese (models)	64Y5590	1
Spanish (models)	64Y5591	1
French (models)	64Y5592	1
Italian (models)	64Y5593	1
Brazilian Portuguese (models)	64Y5594	1



<b>9624 Windows XP Pro Recovery CDs</b>	<b>FRU#</b>	<b>CRU</b>
German (models)	64Y5595	1
Hong Kong (models)	64Y5596	1
Swedish (models)	64Y5597	1
Danish (models)	64Y5598	1
Norway (models)	64Y5599	1
Finland (models)	64Y5600	1
Arabic (models)	64Y5601	1
Traditional Chinese (models)	64Y5602	1
Russian (models)	64Y5603	1
Polish (models)	64Y5604	1
Hebrew (models)	64Y5605	1
Korea (models)	64Y5606	1
Greek (models)	64Y5607	1
Turkish (models)	64Y5608	1
Dutch (models)	64Y5609	1
Slovenian (models)	64Y5610	1
Hungarian (models)	64Y5611	1
Czech (models)	64Y5612	1
Portuguese (models)	64Y5613	1
Russian English (models)	64Y5614	1
MUI Nordics (EN-DK-FI-NO-SV) (models CTO)	71Y6401	1
MUI Switz (EN-FR-GR-IT) (models CTO)	71Y6402	1
MUI Bel-Lux (EN-FR-GR-NL) (models CTO)	71Y6403	1

<b>9624 Windows XP Home Recovery CDs</b>	<b>FRU#</b>	<b>CRU</b>
US English/UK/Asia Pacific (models)	TBD	1
French/French Canadian (models)	TBD	1
Greek (models)	TBD	1
Italy (models)	TBD	1
Brazilian (models)	TBD	1
Spanish/LA (models)	TBD	1
Danish (models)	TBD	1
Dutch (models)	TBD	1
Arabic (models)	TBD	1
SV (Swedish) (models)	TBD	1
Hebrew (models)	TBD	1
Finnish (models)	TBD	1
Norwegian (models)	TBD	1
Polish (models)	TBD	1

<b>9624 Windows XP Home Recovery CDs</b>	<b>FRU#</b>	<b>CRU</b>
Portugese (models)	TBD	1
Russian (models)	TBD	1
Russian English (models)	TBD	1
Hungarian (models)	TBD	1
Czech (models)	TBD	1
Turkish native (models)	TBD	1
Greek (models)	TBD	1
Japanese (models)	TBD	1
Simplified Chinese (models)	TBD	1
Taiwan-TC (models)	TBD	1
Hong Kong-TC (models)	TBD	1
Korean (models)	TBD	1

<b>9624 Windows XP Pro Recovery CDs</b>	<b>FRU#</b>	<b>CRU</b>
US English (models)	45R0756	1
French (models)	45R0759	1
German (models)	45R0760	1
Italian (models)	45R0762	1
Brazilian Portuguese (models)	45R0763	1
Spanish (models)	45R0761	1
Danish (models)	45R0764	1
Dutch (models)	45R0767	1
Arabic English (models)	45R2342	1
SV (Swedish) (models)	45R0765	1
Hebrew (models)	45R2334	1
Finland (models)	45R0766	1
Norwegian (models)	45R0770	1
Polish (models)	45R0777	1
Portuguese (models)	45R0774	1
Russian (models)	45R0773	1
Russian English (models)	45R2318	1
Hungarian (models)	45R0780	1
Czech (models)	45R0776	1
Turkish native (models)	45R0775	1
Greek (models)	45R0772	1
Slovakian (models)	45R2326	1
Japanese (models)	45R0757	1
Simplified Chinese (models)	45R0758	1
Taiwan-TC (models)	45R0768	1

<b>9624 Windows XP Pro Recovery CDs</b>	<b>FRU#</b>	<b>CRU</b>
Hong Kong-TC (models)	45R0769	1
Korean (models)	45R0771	1
Multilingual 1 XP Pro -- English, Dutch, French, German, Italian (models)	45R2350	1
Multilingual 2 XP Pro -- English, Danish, Finland, Norwegian, Swedish (models)	45R2358	1

<b>9624 Vista Home Basic 32 Recovery CDs</b>	<b>FRU#</b>	<b>CRU</b>
US English (models)	46R8053	1
French (models)	46R8057	1
German (models)	46R8060	1
Spanish (models)	46R8056	1
Brazilian (models)	46R8059	1
Italian (models)	46R8058	1
Japanese (models)	64Y6207	1
Dutch (models)	46R8070	1
Czech (models)	46R8074	1
Polish (models)	46R8065	1
Russian (models)	46R8064	1
Turkish (models)	46R8069	1
Hungarian (models)	46R8073	1
Greek (models)	46R8068	1
Portuguese (models)	46R8077	1
Hong Kong (models)	46R8061	1
Traditional Chinese (models)	46R8063	1
Korean (models)	46R8067	1
Slovenian (models)	46R8071	1
Russian English (models)	46R8078	1
Hebrew (models)	46R8066	1
Arabic Localized (models)	46R8062	1
Slovakian (models)	46R8075	1
Simplified Chinese (models)	46R8055	1
Serbian-Latin (models)	46R8076	1
Romanian (models)	46R8072	1
Belgium-Luxembourg (models)	53Y4230	1
Switzerland (models)	53Y4231	1
Nordics (models)	53Y4232	1

<b>9624 Vista Business 32 Recovery CDs</b>	<b>FRU#</b>	<b>CRU</b>
US English (models A1G A2G )	46R8079	1
French (models A1G A2G )	46R8083	1

<b>9624 Vista Business 32 Recovery CDs</b>	<b>FRU#</b>	<b>CRU</b>
German (models A1G A2G )	46R8086	1
Spanish (models A1G A2G )	46R8082	1
Brazilian (models)	46R8085	1
Italian (models A1G A2G )	46R8084	1
Japanese (models)	64Y6205	1
English for Indian (models)	64Y9435	1
Dutch (models A1G A2G )	46R8096	1
Czech (models)	46R8100	1
Polish (models A1G A2G )	46R8091	1
Russian (models A1G A2G )	46R8090	1
Turkish (models A1G A2G )	46R8095	1
Hungarian (models A1G A2G )	46R8099	1
Greek (models A1G A2G )	46R8094	1
Portuguese (models)	46R8103	1
Simplified Chinese (models)	46R8081	1
Hong Kong (models)	46R8087	1
Traditional Chinese (models)	46R8089	1
Korean (models)	46R8093	1
Slovenian (models)	46R8097	1
Russian English (models A1G A2G)	46R8104	1
Romanian (models A1G A2G)	46R8098	1
Sebian-Latin (models)	46R8102	1
Hebrew (models A1G A2G)	46R8092	1
Arabic Localized (models)	46R8088	1
Slovakian (models A1G A2G)	46R8101	1
Belgium-Luxembourg (models A1G A2G)	53Y4233	1
Switzerland (models A1G A2G)	53Y4234	1
Nordics (models A1G A2G)	53Y4235	1

<b>9624 Vista Premium 32 Recovery CDs</b>	<b>FRU#</b>	<b>CRU</b>
US English (models)	46R8141	1
French (models)	46R8143	1
German (models)	46R8144	1
Spanish (models)	46R8145	1
Italian (models)	46R8146	1
Japanese (models)	64Y6208	1
Hong Kong (models)	46R8147	1
Korean (models)	46R8148	1
Athens Vista SP1 MUL 1 P/N's VHP32 (EN FR GR NL) (models)	53Y4236	1

<b>9624 Vista Premium 32 Recovery CDs</b>	<b>FRU#</b>	<b>CRU</b>
Athens Vista SP1 MUL 2 P/N's VHP32 (EN FR GR IT) (models)	53Y4237	1
Athens Vista SP1 MUL 3P/N's VHP32 (EN DK FI NO SV) (models)	53Y4238	1

<b>9624 Vista Business 64 Recovery CDs</b>	<b>FRU#</b>	<b>CRU</b>
US English (models)	46R8131	1
French (models)	46R8134	1
German (models)	46R8135	1
Japanese (models)	64Y6210	1
Simplified Chinese (models)	46R8133	1

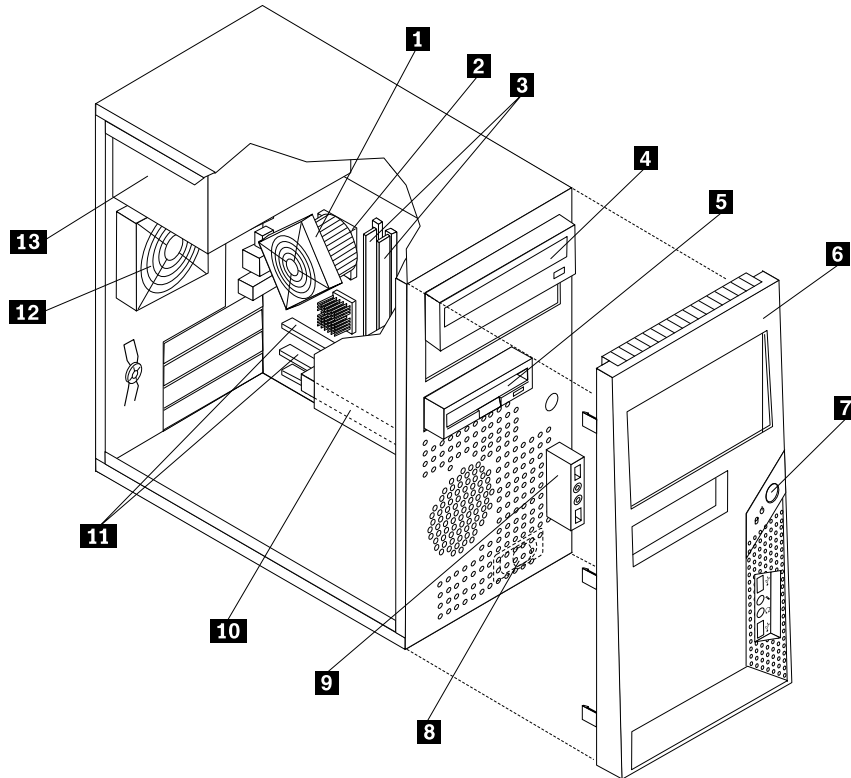
<b>9624 Vista Ultimate 32 Recovery CDs</b>	<b>FRU#</b>	<b>CRU</b>
US English (models)	46R8149	1
Japanese (models)	64Y6209	1
French (models)	46R8151	1
German (models)	46R8152	1
Spanish (models)	46R8153	1
Italian (models)	46R8154	1
Hong Kong (models)	46R8155	1
Arabic Localized (models)	46R8156	1
Athens Vista SP1 MUL 1 P/N's VU32 (EN DK FI NO SV) (models)	53Y4239	1

<b>9624 Vista Starter 32 Recovery CDs</b>	<b>FRU#</b>	<b>CRU</b>
English (models)	46R8052	1

<b>9624 Vista Home Premium 64 Recovery CDs</b>	<b>FRU#</b>	<b>CRU</b>
US (models)	71Y6634	1
French (models)	71Y6635	1

<b>9624 Win7 Professional 32</b>	<b>FRU#</b>	<b>CRU</b>
Brazilian Portuguese (all models)	89Y0454	1

## Machine Type 9625



Item #	9625 FRUs	FRU#	CRU
1	AMD 89W&65W 4Pin heatsink (all models)	41R6407	2
2	Microprocessor, Athlon64 4800+ X2 (2.50GHz, 1M L2, 65W) G1 65nm (models)	43C4093	N
2	Microprocessor, Athlon64 5000+ X2 (2.60GHz, 1M L2, 65W) G1 65nm (models A6G A2U A2F)	41X1427	N
2	Microprocessor, Athlon 1640B (2.70GHz, 512K L2, 45W) G2 65nm (models)	45R6488	N
2	Microprocessor, Athlon64 5200+ X2 (2.70GHz, 1M L2, 65W) G1 65nm (models)	45C7502	N
2	Microprocessor, Athlon64 5400B X2(2.80GHz, 1M L2, 65W) G2 65nm (models B7U B7F B9U B9F)	45R6486	N
2	Microprocessor, Athlon64 5600+ X2 (2.90GHz, 1M L2, 89W) G2 65nm (models)	45C7504	N
2	Microprocessor, Athlon BE-2350 X2 (2.10GHz, 1M L2, 45W) G2 65nm (models)	43C6166	N
2	Microprocessor, Athlon BE-2400 X2 (2.30GHz, 1M L2, 45W) G2 65nm (models)	43C6165	N
2	Microprocessor, Athlon 4450B X2 (2.30GHz, 1M L2, 45W) G2 65nm (models D2U D2F D1G)	46R3624	N
2	Microprocessor, Athlon 5000B X2 (2.60GHz, 1M L2, 65W) G2 65nm (models A6G A2U A2F B5U B5F B6U B6F)	46R3625	N
2	Microprocessor, Athlon 5200B X2 (2.70GHz, 1M L2, 65W) G2 65nm (models)	46R3626	N
2	Microprocessor, Sempron LE-1250 (2.20GHz, 512K L2, 45W) G2 65nm (models)	43C6168	N
2	Microprocessor, Sempron LE-1300 (2.30GHz, 512K L2, 45W) G2 65nm (models A4G A8S A8P A8D A8Y )	43C8986	N

Item #	9625 FRUs	FRU#	CRU
2	Microprocessor, Sempron 2100 X2 (1.80GHz, 512K L2, 65W) G2 65nm (models)	46R3629	N
2	Microprocessor, Sempron 2200 X2 (2.00GHz, 512K L2, 65W) G2 65nm (models)	46R3630	N
2	Microprocessor, Phenom 8600B (2.30GHz, 1.5M L2, 2M L3, 95W) stepping B2 65nm (models A9G A1U A1F)	45R6494	N
2	Microprocessor, Phenom 9550 (2.20GHz, 2M L2, 2M L3, 95W) stepping B3 65nm (models)	45R6496	N
2	Microprocessor, Phenom 9650 (2.30GHz, 2M L2, 2M L3, 95W) stepping B3 65nm (models)	45R6498	N
2	Microprocessor, Athlon II X2 240 (2.8GHz, 2M Total Cache, AM3, 65W) C2 45nm (models)	64Y8012	N
2	Microprocessor, Athlon II X2 245 (2.9GHz, 2M Total Cache, AM3, 65W) C2 45nm (models 91Z)	64Y8013	N
2	Microprocessor, Athlon II X3 435 (2.9GHz, 1.5M Total Cache, AM3, 95W) C2 45nm (models 91Z)	64Y8020	N
2	Microprocessor, Phenom II X2 550 (3.1GHz, 7M Total Cache, AM3, 80W) C2 45nm (models 91Z)	64Y8024	N
2	Microprocessor, Phenom II X2 555 (3.2 GHz, 7M Total Cache, AM3, 80W) C3 45nm (models 91Z)	89Y0793	N
2	Microprocessor, Phenom II X3 720 (2.8GHz, 7.5M Total Cache, AM3, 95W) C2 45nm (models 91Z)	64Y8030	N
2	Microprocessor, Phenom II X4 910 (2.6GHz, 8M Total Cache, AM3, 95W) C2 45nm (models 91Z)	64Y8035	N
2	Microprocessor, Phenom 9600B (2.30GHz, 2M L2, 2M L3, 95W) stepping B2 65nm (models)	45R6500	N
2	Microprocessor, Phenom 8450 (2.10GHz, 1.5M L2, 2M L3, 95W) B3 65nm (models B1M B1A B1Q B1T B1K B8U B8F)	45R6490	N
2	Microprocessor, Phenom X3 8750B (2.4 GHz, 512K / 2M L2, 95W) B3 65nm (models CTO)	53Y7709	N
2	Microprocessor, Phenom X4 9750B (2.4 GHz, 512K / 2M L2, 95W) B3 65nm (models CTO)	53Y7711	N
2	Microprocessor, Athlon LE-1660 (2.8 GHz, 512K L2, 45W) G2 65nm (models CTO)	53Y7722	N
2	Microprocessor, Athlon X2 5600B (2.9 GHz, 1M L2, 65W) G2 65nm (models CTO)	53Y7718	N
2	Microprocessor, Athlon64 X2 6000+ (3.1 GHz, 1M L2, 89W) G2 65nm (models CTO)	53Y7720	N
2	Microprocessor, Sempron X2 2300 (2.2GHz, 512K L2, 65W) G2 65nm (models CTO)	53Y7724	N
2	Microprocessor, Sempron 140 (2.7GHz, 1M Total Cache, AM3, 45W) C2 45nm (models 91Z)	71Y6414	N
3	Memory module, 512MB PC2-5300 (667MHz) DDR2 SDRAM (models)	41X4255	2
3	Memory module, 1GB PC2-5300 (667MHz) DDR2 SDRAM (models A7S A7P A7D A7Y A8S A8P A8D A8Y D2U D2F)	41X4256	2
3	Memory module, 1GB PC2-6400 (667MHz) DDR2 SDRAM (models B1M B1A B1Q B1T B1K A9G A4G A5G A6G A2U A2F A3U A3F B5U B5F B6U B6F B7U B7F B8U B8F B9U B9F D1G)	41X1080	2
3	Memory module, 2GB PC2-6400 (667MHz) DDR2 SDRAM (models A1U A1F)	41X1081	2
4	DVD-ROM Drive - 16x/48x - With DVD playback software (models A4G A3U A3F A8S A8P A8D A8Y B5U B5F B8U B8F)	71Y5543	2

Item #	9625 FRUs	FRU#	CRU
4	DVD-RW/CD-RW Rambo 8 - With write software (models B1M B1A B1Q B1T B1K A9G A5G A6G A1U A1F A2U A2F A7S A7P A7D A7Y B6U B6F B7U B7F B9U B9F D2U D2F D1G )	71Y5545	2
4	DVD-ROM Drive - 16x/48x - SATA Vista & non-Vista (models A4G A3U A3F A8S A8P A8D A8Y B5U B5F B8U B8F)	41N3325	2
4	DVD Recordable/CD-RW Rambo 8 - SATA Vista & non-Vista (models B1M B1A B1Q B1T B1K A9G A5G A6G A1U A1F A2U A2F A7S A7P A7D A7Y B6U B6F B7U B7F B9U B9F D2U D2F D1G )	43C1042	2
5	Diskette drive, 3.5" 1.44MB 2 Mode FDD with Bezel and cable (models)	40Y9105	2
5	Diskette drive, 3.5" 1.44MB 2 Mode FDD with Bezel and cable (models)	40Y9107	2
6	Bezel assembly, without IBM mark (all models)	41R6243	2
7	Power switch/LED assembly (all models)	41N5284	2
8	Speaker assembly, soldered terminals (all models)	39P5023	2
9	Front audio/USB assembly (all models)	41N8054	2
10	Hard disk drive, SATA 80GB 7200RPM/3Gb/8MB (models)	40Y9034	2
10	Hard disk drive, SATA 160GB 7200RPM/3Gb/8MB (models A9G A4G A5G A6G A1U A1F A2U A2F A3U A3F A7S A7P A7D A7Y A8S A8P A8D A8Y B5U B5F B6U B6F B8U B8F B9U B9F D2U D2F)	40Y9035	2
10	Hard disk drive, SATA 160GB 7200RPM/3Gb/8MB (models A9G A4G A5G A6G A1U A1F A2U A2F A3U A3F A7S A7P A7D A7Y A8S A8P A8D A8Y B5U B5F B6U B6F B8U B8F B9U B9F D2U D2F)	53Y6837	2
10	Hard disk drive, SATA 250GB 7200RPM/3Gb/8MB (models B1M B1A B1Q B1T B1K B7U B7F)	45K0408	2
10	Hard disk drive, SATA 320GB 7200rpm SATA/8MB (models D1G)	45K0409	2
10	Hard disk drive, SATA 500GB 7200RPM/3Gb/s/8MB (models)	45K0410	2
10	Hard disk drive, SATA 250GB 7200RPM/3Gb/8MB (models B1M B1A B1Q B1T B1K B7U B7F)	40Y9036	2
10	Hard disk drive, SATA 320GB 7200rpm SATA/8MB (models D1G)	87H4891	2
10	Hard disk drive, SATA 500GB 7200RPM/3Gb/s/8MB (models)	41X5582	2
11	System board, Planar AMD RS780 mATX (TOWER & ROCKYS) (models B1M B1A B1Q B1T B1K A9G A4G A5G A6G A1U A1F A2U A2F A3U A3F A7S A7P A7D A7Y A8S A8P A8D A8Y B5U B5F B6U B6F B7U B7F B8U B8F B9U B9F D2U D2F D1G)	71Y5724	N
11	System board, Planar AMD RS780 mATX GA Level - TPM Disable for Russia (models A9G A4G A5G A6G D1G)	71Y4994	N
11	System board, Planar AMD RS780 mATX GA Level - Support Phenom II X2 555 (models 91Z)	89Y1346	N
11	System board, Planar AMD RS780 mATX GA Level -Support Win7 and AM3 C2 CPU (models 91Z)	89Y1809	N
12	System fan, rear (all models)	41R6269	2
12	System fan, rear (all models)	43N9908	2
13	Power supply, ATX 280W (Robust, WW) (models B1M B1A B1Q B1T B1K A9G A4G A5G A6G A1U A1F A2U A2F A3U A3F A7S A7P A7D A7Y A8S A8P A8D A8Y B5U B5F B6U B6F B7U B7F B8U B8F B9U B9F D2U D2F D1G)	41A9684	2



Item #	9625 FRUs	FRU#	CRU
13	Power supply, ATX 280W 80% (Robust, WW, JP) (models B1M B1A B1Q B1T B1K A9G A4G A5G A6G A1U A1F A2U A2F A3U A3F A7S A7P A7D A7Y A8S A8P A8D A8Y B5U B5F B6U B6F B7U B7F B8U B8F B9U B9F D2U D2F D1G)	41A9665	2
13	Power supply, ATX 310W (Robust, WW, JP) (models B1M B1A B1Q B1T B1K A9G A4G A5G A6G A1U A1F A2U A2F A3U A3F A7S A7P A7D A7Y A8S A8P A8D A8Y B5U B5F B6U B6F B7U B7F B8U B8F B9U B9F D2U D2F D1G)	41A9726	2
13	Power supply, 220W (Robust, WW) (models B1M B1A B1Q B1T B1K A9G A4G A5G A6G A1U A1F A2U A2F A3U A3F A7S A7P A7D A7Y A8S A8P A8D A8Y B5U B5F B6U B6F B7U B7F B8U B8F B9U B9F D2U D2F D1G)	41A9689	N
13	Power supply, 220W only for JP (models)	41A9697	N
13	Power supply, 220W 80% (Robust, WW, JP) (models B1M B1A B1Q B1T B1K A9G A4G A5G A6G A1U A1F A2U A2F A3U A3F A7S A7P A7D A7Y A8S A8P A8D A8Y B5U B5F B6U B6F B7U B7F B8U B8F B9U B9F D2U D2F D1G)	41A9670	N
13	Power supply, 280W TFX ,Active PFC, (Robust, WW, JP) (models B1M B1A B1Q B1T B1K A9G A4G A5G A6G A1U A1F A2U A2F A3U A3F A7S A7P A7D A7Y A8S A8P A8D A8Y B5U B5F B6U B6F B7U B7F B8U B8F B9U B9F D2U D2F D1G)	41A9705	N

The FRUs listed in the following tables are not illustrated.

9625 FRUs	FRU#	CRU
Cover (all models)	41N8050	2
Retainer, Card Reader (all models)	41R2913	2
Front Fan AVC (all models)	41R4791	2
HDD Tray (all models)	41R6291	2
FDD cable, 325mm, (all models)	41A7182	2
Cabel -SATA 457mm (RoHS) (all models)	43N9013	2
Cabel-SATA 250mm (RoHS) (all models)	43N9012	2
Optional HDD Bracket Asm (all models)	41R6106	2
EMC Shield (all models)	41N8080	2
EMC Shield (all models)	41N8078	2
Rear IO shield ATX,for RX 780,Atlantic (all models)	41R6383	N
Intrusion Switch Asm (all models)	41R6116	2
Temp Sense cable for Armstrong (460 mm) (all models)	41R2509	2
Blank 5.25" Bezel (all models)	41N8077	2
Asm Chassis Without IBM Mark Atlantic (all models)	41R6408	5
ODD/FDD/Cardreader Retainers (all models)	43N9351	2
AMD thermal KIT (all models)	41R6407	2
Cable Clip, FW-6D (all models)	43N9462	2

<b>9625 Keyboards (Lenovo Preferred Pro USB -- without hub)</b>	<b>FRU#</b>	<b>CRU Tier</b>
USB FULL--US English (models B1M B1A B1Q A9G A4G A5G A6G A1U A2U A3U B5U B6U B7U B8U B9U D2U D1G)	41A5289	1
USB FULL--Arabic (models A9G A4G A5G A6G D1G)	41A5290	1
USB FULL--Arabic/French (models A9G A4G A5G A6G D1G)	41A5291	1
USB FULL--Belgian/French (models)	41A5292	1
USB FULL--Belgium English (models A9G A4G A5G A6G D1G)	41A5293	1
USB FULL--Brazilian Portuguese (models A7P A8P)	41A5294	1
USB FULL--Bulgarian (models A9G A4G A5G A6G D1G)	41A5295	1
USB FULL--Chinese/US (models)	41A5296	1
USB FULL--Czech (ABB) (models A9G A4G A5G A6G D1G)	41A5297	1
USB FULL--Danish (models A9G A4G A5G A6G D1G)	41A5298	1
USB FULL--Dutch (models A9G A4G A5G A6G D1G)	41A5299	1
USB FULL--French (models A9G A4G A5G A6G D1G)	41A5300	1
USB FULL--French Canadian (models A9G A4G A5G A6G A1F A2F A3F B5F B6F B7F B8F B9F D2F D1G)	41A5301	1
USB FULL--French Canadian (models A9G A4G A5G A6G A1F A2F A3F B5F B6F B7F B8F B9F D2F D1G)	41A5302	1
USB FULL--German (models A9G A4G A5G A6G D1G)	41A5303	1
USB FULL--Greek (models A9G A4G A5G A6G D1G)	41A5304	1
USB FULL--Greek/US (models A9G A4G A5G A6G D1G)	41A5305	1
USB FULL--Hebrew (models A9G A4G A5G A6G D1G)	41A5306	1
USB FULL--Hungarian (models A9G A4G A5G A6G D1G)	41A5307	1
USB FULL--Iceland (models A9G A4G A5G A6G D1G)	41A5308	1
USB FULL--Italy (models A9G A4G A5G A6G D1G)	41A5309	1
USB FULL--Japanese (models)	41A5310	1
USB FULL--Korean (models B1K)	41A5311	1
USB FULL--LA Spanish (models A7S A7D A7Y A8S A8D A8Y)	41A5312	1
USB FULL--Norwegian (models A9G A4G A5G A6G D1G)	41A5313	1
USB FULL--Polish (models A9G A4G A5G A6G D1G)	41A5314	1
USB FULL--Portugese (models A9G A4G A5G A6G D1G)	41A5315	1
USB FULL--Romanian (models A9G A4G A5G A6G D1G)	41A5317	1
USB FULL--Russian/Cyrillic (models A9G A4G A5G A6G D1G)	41A5318	1
USB FULL--Serbian/Cyrillic (models A9G A4G A5G A6G D1G)	41A5319	1
USB FULL--Slovak (models A9G A4G A5G A6G D1G)	41A5320	1
USB FULL--Spanish (models A9G A4G A5G A6G D1G)	41A5321	1
USB FULL--Swedish/Finnish (models A9G A4G A5G A6G D1G)	41A5322	1
USB FULL--Swiss F/G (models A9G A4G A5G A6G D1G)	41A5323	1
USB FULL--Thailand (models B1T B2T)	41A5324	1
USB FULL--Turkish (models A9G A4G A5G A6G D1G)	41A5325	1

<b>9625 Keyboards (Lenovo Preferred Pro USB -- without hub)</b>	<b>FRU#</b>	<b>CRU Tier</b>
USB FULL--Turkish (models A9G A4G A5G A6G D1G)	41A5326	1
USB FULL--UK English (models A9G A4G A5G A6G D1G)	41A5327	1
USB FULL--US Euro (models A9G A4G A5G A6G D1G)	41A5328	1
USB FULL--Slovenian (models)	41A5329	1

<b>9625 Keyboards (Lenovo Fingerprint Reader USB)</b>	<b>FRU#</b>	<b>CRU Tier</b>
US English (models)	41R0038	1
Arabic (models)	41R0039	1
Arabic/French (models)	41R0040	1
Belgian/French (models)	41R0041	1
Belgium English (models)	41R0042	1
Brazilian Portuguese (models)	41R0043	1
Bulgarian (models)	41R0044	1
Chinese/US (models)	41R0045	1
Czech (ABB) (models)	41R0046	1
Danish (models)	41R0047	1
Dutch (models)	41R0048	1
French (models)	41R0049	1
French Canadian (models)	41R0050	1
French Canadian (models)	41R0051	1
German (models)	41R0052	1
Greek (models)	41R0053	1
Greek/US (models)	41R0054	1
Hebrew (models)	41R0055	1
Hungarian (models)	41R0056	1
Iceland (models)	41R0057	1
Italy (models)	41R0058	1
Japanese (models)	41R0059	1
Korean (models)	41R0060	1
LA Spanish (models)	41R0061	1
Norwegian (models)	41R0062	1
Polish (models)	41R0063	1
Portuguese (models)	41R0064	1
Romanian (models)	41R0065	1
Romanian (models)	41R0066	1
Russian/Cyrillic (models)	41R0067	1
Serbian/Cyrillic (models)	41R0068	1
Slovak (models)	41R0069	1

<b>9625 Keyboards (Lenovo Fingerprint Reader USB)</b>	<b>FRU#</b>	<b>CRU Tier</b>
Spanish (models)	41R0070	1
Swedish/Finnish (models)	41R0071	1
Swiss F/G (models)	41R0072	1
Thailand (models)	41R0073	1
Turkish (models)	41R0074	1
Turkish (models)	41R0075	1
UK English (models)	41R0076	1
US Euro (models)	41R0077	1
Slovenian (models)	41R0078	1

<b>9625 Keyboards (Lenovo Preferred Pro PS/2 Full Size)</b>	<b>FRU#</b>	<b>CRU Tier</b>
PS/2 Full--US English (models)	41A5039	1
PS/2 Full--Arabic (models)	41A5040	1
PS/2 Full--Arabic/French (models)	41A5041	1
PS/2 Full--Belgian/French (models)	41A5042	1
PS/2 Full--Belgium English (models)	41A5043	1
PS/2 Full--Brazilian Portuguese (models)	41A5044	1
PS/2 Full--Bulgarian (models)	41A5045	1
PS/2 Full--Chinese/US (models)	41A5046	1
PS/2 Full--Czech (ABB) (models)	41A5047	1
PS/2 Full--Danish (models)	41A5048	1
PS/2 Full--Dutch (models)	41A5049	1
PS/2 Full--French (models)	41A5050	1
PS/2 Full--French Canadian (models)	41A5051	1
PS/2 Full--French Canadian (models)	41A5052	1
PS/2 Full--German (models)	41A5053	1
PS/2 Full--Greek (models)	41A5054	1
PS/2 Full--Greek/US (models)	41A5080	1
PS/2 Full--Hebrew (models)	41A5055	1
PS/2 Full--Hungarian (models)	41A5056	1
PS/2 Full--Iceland (models)	41A5057	1
PS/2 Full--Italy (models)	41A5058	1
PS/2 Full--Japanese (models)	41A5059	1
PS/2 Full--Korean (models)	41A5060	1
PS/2 Full--LA Spanish (models)	41A5061	1
PS/2 Full--Norwegian (models)	41A5062	1
PS/2 Full--Polish (models)	41A5063	1
PS/2 Full--Portugese (models)	41A5064	1

<b>9625 Keyboards (Lenovo Preferred Pro PS/2 Full Size)</b>	<b>FRU#</b>	<b>CRU Tier</b>
PS/2 Full--Romanian (models)	41A5065	1
PS/2 Full--Russian/Cyrillic (models)	41A5066	1
PS/2 Full--Serbian/Cyrillic (models)	41A5067	1
PS/2 Full--Slovak (models)	41A5068	1
PS/2 Full--Spanish (models)	41A5069	1
PS/2 Full--Swedish/Finnish (models)	41A5070	1
PS/2 Full--Swiss F/G (models)	41A5071	1
PS/2 Full--Thailand (models)	41A5072	1
PS/2 Full--Turkish (models)	41A5073	1
PS/2 Full--Turkish (models)	41A5074	1
PS/2 Full--UK English (models)	41A5075	1
PS/2 Full--US Euro (models)	41A5076	1
PS/2 Full--Slovenian (models)	41A5077	1

<b>9625 mice</b>	<b>FRU#</b>	<b>CRU</b>
Optical Wheel Mouse (400DPI, USB) (models B1M B1A B1Q B1T B1K A9G A4G A5G A6G A1U A1F A2U A2F A3U A3F A7S A7P A7D A7Y A8S A8P A8D A8Y B5U B5F B6U B6F B7U B7F B8U B8F B9U B9F D2U D2F D1G)	41U3013	1
Optical Wheel Mouse (400DPI, USB) (models B1M B1A B1Q B1T B1K A9G A4G A5G A6G A1U A1F A2U A2F A3U A3F A7S A7P A7D A7Y A8S A8P A8D A8Y B5U B5F B6U B6F B7U B7F B8U B8F B9U B9F D2U D2F D1G)	41U3030	1
PS/2 Three Button ball mouse (41R0017) (models)	41R0018	1

<b>9625 Adapters and miscellaneous FRUs</b>	<b>FRU#</b>	<b>CRU</b>
Internal USB Memory Card Reader floppy bay (models)	41R3378	2
Internal 20 in 1 USB Memory Card Reader (models)	45R8139	1
NVIDIA GeForce 9300 GE 256M Full Height (DVI+VGA) (TOWER) (models CTO)	45R5494	2
ATI HD 2600XT 512MB 128BIT ATX (models)	43C0261	2
IEEE 1394 Firewire Adapter SFF (models)	41D2781	2
IEEE 1394 Firewire Adapter ATX (models)	41D2781	2
Soft Modem V.90/V.44 SFF (models)	29R9729	2
Soft Modem V.90/V.44 ATX (models)	29R9729	2
ATI HD 2400PRO 128MB 64BIT DMS59 ATX (models)	43C0259	2
ATI HD 2400XT 256MB 64BIT DMS59 ATX Secondary (models)	46R4160	2
Speaker Power brick - US, Canada, LA low voltage, ASEAN (models A1U A2U A3U B5U B6U B7U B8U B9U D2U)	89P8571	1
Speaker Power brick - LA high voltage (non-APU) (models)	89P8575	1
Speaker Power brick - SIMPLIFIED -CHN, Thailand EMEA (models A9G A4G A5G A6G D1G)	89P8581	1
Speaker Power brick - Japan (models)	89P8577	1
Speaker Power brick - Brazil (models)	89P8583	1

<b>9625 Adapters and miscellaneous FRUs</b>	<b>FRU#</b>	<b>CRU</b>
Speaker Power brick - Argentina (models)	41A4901	1
Speaker Power brick - ANZ (models B1M)	89P8579	1
Speaker Power brick - Korean (models)	41A4903	1
Speaker Power brick - Hong Kong, EMEA (models A9G A4G A5G A6G D1G)	89P8573	1
Speaker Power brick -TAIWAN-TC (models)	41A4905	1
Speaker Power brick - India, South Africa (models B1Q)	89P8585	1
Dongle DMS Dule DMS-59 to dual VGA Cable (models)	42Y8181	2
Dongle DMS Dule DMS-59 to dual DVI Cable (models)	41X6398	2
Dongle DMS Dule DMS-59 to single VGA & single DVI Cable (models)	42Y8183	2
2-pc external speaker--primary (models)	41A5331	1
2-pc external speaker-secondary (models)	41A5334	1
DVI-I(M)-VGA(F) cord (models)	41R3342	2
Battery 3V- Lithium (models B1M B1A B1Q B1T B1K A9G A4G A5G A6G A1U A1F A2U A2F A3U A3F A7S A7P A7D A7Y A8S A8P A8D A8Y B5U B5F B6U B6F B7U B7F B8U B8F B9U B9F D2U D2F D1G)	45C1566	1

<b>9625 Power Cords</b>	<b>FRU#</b>	<b>CRU</b>
Power cord - US (models B1A B1T A1U A1F A2U A2F A3U A3F A7S A7Y A8S A8Y B5U B5F B6U B6F B7U B7F B8U B8F B9U B9F D2U D2F)	41R3184	1
Power cord - US (models B1A B1T A1U A1F A2U A2F A3U A3F A7S A7Y A8S A8Y B5U B5F B6U B6F B7U B7F B8U B8F B9U B9F D2U D2F)	41R3185	1
Power cord - China (models)	41R3256	1
Power cord - China (models)	41R3257	1
Power cord - Japanese and Japanese English (models)	41R3248	1
Power cord - Japanese and Japanese English (models)	41R3249	1
Power cord - Brazil (Portigese) (models)	41R3270	1
Power cord - Brazil (Portigese) (models)	41R3271	1
Power cord - LA High Volt (APU) (models)	41R3176	1
Power cord - LA High Volt (APU) (models)	41R3177	1
Power cord - ANZ (models)	41R3196	1
Power cord - ANZ (models)	41R3197	1
Power cord - Korea (models)	41R3260	1
Power cord - Korea (models)	41R3261	1
Power cord - UK, Ireland, Singapore, Malaysia, Brunei, Hongkong (models)	41R3224	1
Power cord - UK, Ireland, Singapore, Malaysia, Brunei, Hongkong (models)	41R3225	1
Power cord - Taiwan (models)	41R3278	1
Power cord - Taiwan (models)	41R3279	1
Power cord - Italy (models)	41R3232	1
Power cord - Italy (models)	41R3233	1

<b>9625 Power Cords</b>	<b>FRU#</b>	<b>CRU</b>
Power cord - Indonesia, Laos, Cambodia, Vietnam, Austria, Belgium, Croatia, Czechoslovakia, Finland, France, Germany, Hungary, Netherlands, Norway, Poland, Portugal, Romania, Spain, Sweden (models B1A B1T A1U A1F A2U A2F A3U A3F A7S A7Y A8S A8Y B5U B5F B6U B6F B7U B7F B8U B8F B9U B9F D2U D2F)	41R3208	1
Power cord - Indonesia, Laos, Cambodia, Vietnam, Austria, Belgium, Croatia, Czechoslovakia, Finland, France, Germany, Hungary, Netherlands, Norway, Poland, Portugal, Romania, Spain, Sweden (models B1A B1T A1U A1F A2U A2F A3U A3F A7S A7Y A8S A8Y B5U B5F B6U B6F B7U B7F B8U B8F B9U B9F D2U D2F)	41R3209	1
Power cord - Denmark (models A9G A4G A5G A6G D1G)	41R3212	1
Power cord - Denmark (models A9G A4G A5G A6G D1G)	41R3213	1
Power cord - Switzerland (models A9G A4G A5G A6G D1G)	41R3228	1
Power cord - Switzerland (models A9G A4G A5G A6G D1G)	41R3229	1
Power cord - Israel (models A9G A4G A5G A6G D1G)	41R3236	1
Power cord - Israel (models A9G A4G A5G A6G D1G)	41R3237	1
Power cord - South Africa (models B1M B1A A9G A4G A5G A6G D1G)	41R3220	1
Power cord - South Africa (models B1M B1A A9G A4G A5G A6G D1G)	41R3221	1
Power cord - India (models B1Q B2Q )	41R3341	1
Power cord - India (models B1Q B2Q )	41R3175	1
Power cord - Thailand (models)	43N9029	1
Power cord - Thailand (models)	43N9030	1
Power cord - Brazil (models)	43N9044	1

<b>9625 Windows XP Home Recovery CDs</b>	<b>FRU#</b>	<b>CRU</b>
US English/UK/Asia Pacific (models)	TBD	1
French/French Canadian (models)	TBD	1
Greek (models)	TBD	1
Italy (models)	TBD	1
Brazilian (models)	TBD	1
Spanish/LA (models)	TBD	1
Danish (models)	TBD	1
Dutch (models)	TBD	1
Arabic (models)	TBD	1
SV (Swedish) (models)	TBD	1
Hebrew (models)	TBD	1
Finnish (models)	TBD	1
Norwegian (models)	TBD	1
Polish (models)	TBD	1
Portugese (models)	TBD	1
Russian (models)	TBD	1
Russian English (models)	TBD	1
Hungarian (models)	TBD	1

9625 Windows XP Home Recovery CDs	FRU#	CRU
Czech (models)	TBD	1
Turkish native (models)	TBD	1
Greek (models)	TBD	1
Japanese (models)	TBD	1
Simplified Chinese (models)	TBD	1
Taiwan-TC (models)	TBD	1
Hong Kong-TC (models)	TBD	1
Korean (models)	TBD	1

9625 Windows XP Pro Recovery CDs	FRU#	CRU
English (models B5U B6U B7U B8U B9U)	64Y5588	1
Japanese (models)	64Y6202	1
Simplified Chinese (models)	64Y5590	1
Spanish (models)	64Y5591	1
French (models B5F B6F B7F B8F B9F)	64Y5592	1
Italian (models)	64Y5593	1
Brazilian Portuguese (models)	64Y5594	1
German (models)	64Y5595	1
Hong Kong (models)	64Y5596	1
Swedish (models)	64Y5597	1
Danish (models)	64Y5598	1
Norway (models)	64Y5599	1
Finland (models)	64Y5600	1
Arabic (models)	64Y5601	1
Traditional Chinese (models)	64Y5602	1
Russian (models)	64Y5603	1
Polish (models)	64Y5604	1
Hebrew (models)	64Y5605	1
Korea (models)	64Y5606	1
Greek (models)	64Y5607	1
Turkish (models)	64Y5608	1
Dutch (models)	64Y5609	1
Slovenian (models)	64Y5610	1
Hungarian (models)	64Y5611	1
Czech (models)	64Y5612	1
Portuguese (models)	64Y5613	1
Russian English (models)	64Y5614	1
MUI Nordics (EN-DK-FI-NO-SV) (models CTO)	71Y6401	1



<b>9625 Windows XP Pro Recovery CDs</b>	<b>FRU#</b>	<b>CRU</b>
MUI Switz (EN-FR-GR-IT) (models CTO)	71Y6402	1
MUI Bel-Lux (EN-FR-GR-NL) (models CTO)	71Y6403	1

<b>9625 Vista Home Basic 32 Recovery CDs</b>	<b>FRU#</b>	<b>CRU</b>
US English (models)	46R8053	1
French (models)	46R8057	1
German (models)	46R8060	1
Spanish (models)	46R8056	1
Brazilian (models)	46R8059	1
Italian (models)	46R8058	1
Japanese (models)	64Y6207	1
Dutch (models)	46R8070	1
Czech (models)	46R8074	1
Polish (models)	46R8065	1
Russian (models)	46R8064	1
Turkish (models)	46R8069	1
Hungarian (models)	46R8073	1
Greek (models)	46R8068	1
Portuguese (models)	46R8077	1
Hong Kong (models)	46R8061	1
Traditional Chinese (models)	46R8063	1
Korean (models)	46R8067	1
Slovenian (models)	46R8071	1
Russian English (models)	46R8078	1
Hebrew (models)	46R8066	1
Arabic Localized (models)	46R8062	1
Slovakian (models)	46R8075	1
Simplified Chinese (models)	46R8055	1
Serbian-Latin (models)	46R8076	1
Romanian (models)	46R8072	1
Belgium-Luxembourg (models)	53Y4230	1
Switzerland (models)	53Y4231	1
Nordics (models)	53Y4232	1

<b>7057 Vista Business 32 Recovery CDs</b>	<b>FRU#</b>	<b>CRU</b>
US English (models B1M B1A B1Q A9G A4G A5G A6G A2U A3U D2U D1G)	46R8079	1
French (models A9G A4G A5G A6G A2F A3F D2F D1G)	46R8083	1
German (models A9G A4G A5G A6G D1G)	46R8086	1
Spanish (models A9G A4G A5G A6G D1G)	46R8082	1

<b>7057 Vista Business 32 Recovery CDs</b>	<b>FRU#</b>	<b>CRU</b>
Brazilian (models)	46R8085	1
Italian (models A9G A4G A5G A6G D1G)	46R8084	1
Japanese (models)	64Y6205	1
English for Indian (models B1M B1A B1Q A9G A4G A5G A6G A2U A3U D2U D1G)	64Y9435	1
Dutch (models A9G A4G A5G A6G D1G)	46R8096	1
Czech (models)	46R8100	1
Polish (models A9G A4G A5G A6G D1G)	46R8091	1
Russian (models A9G A4G A5G A6G D1G)	46R8090	1
Turkish (models A9G A4G A5G A6G D1G)	46R8095	1
Hungarian (models A9G A4G A5G A6G D1G)	46R8099	1
Greek (models A9G A4G A5G A6G D1G)	46R8094	1
Portuguese (models D1G)	46R8103	1
Simplified Chinese (models)	46R8081	1
Hong Kong (models)	46R8087	1
Traditional Chinese (models)	46R8089	1
Korean (models B1K)	46R8093	1
Slovenian (models)	46R8097	1
Russian English (models A9G A4G A5G A6G D1G)	46R8104	1
Romanian (models A9G A4G A5G A6G D1G)	46R8098	1
Sebian-Latin (models)	46R8102	1
Hebrew (models A9G A4G A5G A6G D1G)	46R8092	1
Arabic Localized (models)	46R8088	1
Slovakian (models A9G A4G A5G A6G D1G)	46R8101	1
Belgium-Luxembourg (models B1M B1A B1Q A9G A4G A5G A6G A2U A3U D2U D1G)	53Y4233	1
Switzerland (models B1M B1A B1Q A9G A4G A5G A6G A2U A3U D2U D1G)	53Y4234	1
Nordics (models A9G A4G A5G A6G D1G)	53Y4235	1

<b>9625 Vista Premium 32 Recovery CDs</b>	<b>FRU#</b>	<b>CRU</b>
US English (models)	46R8141	1
French (models)	46R8143	1
German (models)	46R8144	1
Spanish (models)	46R8145	1
Italian (models)	46R8146	1
Japanese (models)	64Y6208	1
Hong Kong (models)	46R8147	1
Korean (models)	46R8148	1
Athens Vista SP1 MUL 1 P/N's VHP32 (EN FR GR NL) (models)	53Y4236	1
Athens Vista SP1 MUL 2 P/N's VHP32 (EN FR GR IT) (models)	53Y4237	1
Athens Vista SP1 MUL 3P/N's VHP32 (EN DK FI NO SV) (models)	53Y4238	1

<b>9625 Vista Business 64 Recovery CDs</b>	<b>FRU#</b>	<b>CRU</b>
US English (models)	46R8131	1
French (models)	46R8134	1
German (models)	46R8135	1
Japanese (models)	64Y6210	1
Simplified Chinese (models)	46R8133	1

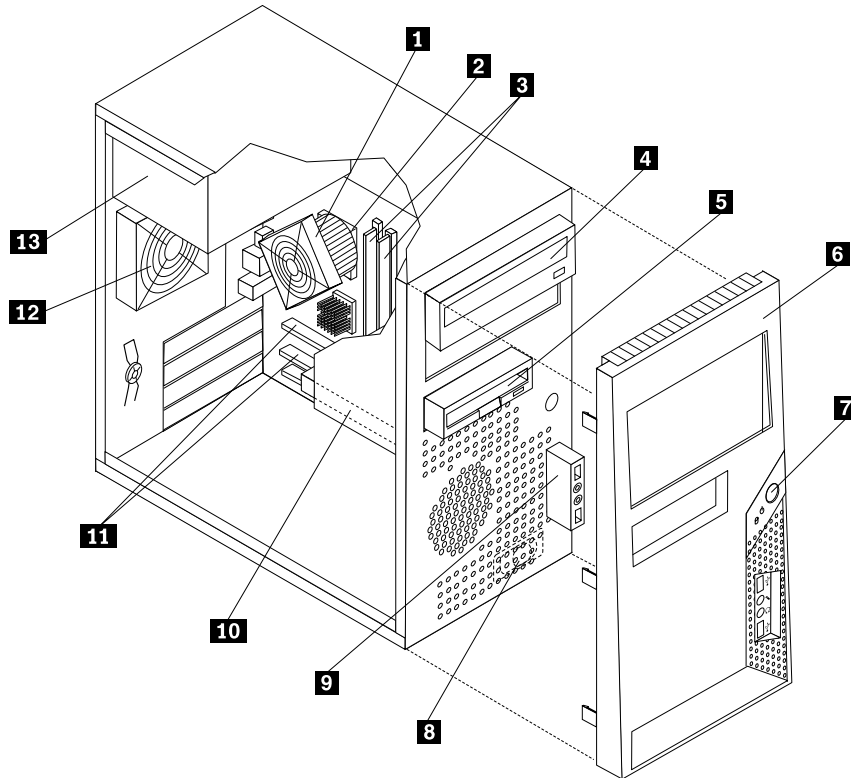
<b>9625 Vista Ultimate 32 Recovery CDs</b>	<b>FRU#</b>	<b>CRU</b>
US English (models)	46R8149	1
Japanese (models)	64Y6209	1
French (models)	46R8151	1
German (models)	46R8152	1
Spanish (models)	46R8153	1
Italian (models)	46R8154	1
Hong Kong (models)	46R8155	1
Arabic Localized (models)	46R8156	1
Athens Vista SP1 MUL 1 P/N's VU32 (EN DK FI NO SV) (models)	53Y4239	1

<b>9625 Vista Starter 32 Recovery CDs</b>	<b>FRU#</b>	<b>CRU</b>
English (models)	46R8052	1

<b>9625 Vista Home Premium 64 Recovery CDs</b>	<b>FRU#</b>	<b>CRU</b>
US (models)	71Y6634	1
French (models)	71Y6635	1

<b>9625 Win7 Professional 32</b>	<b>FRU#</b>	<b>CRU</b>
Brazilian Portuguese (all models)	89Y0454	1

## Machine Type 9705



Item #	9705 FRUs	FRU#	CRU
1	AMD 89W&65W 4Pin heatsink (all models)	41R6407	2
2	Microprocessor, Athlon64 4800+ X2 (2.50GHz, 1M L2, 65W) G1 65nm (models)	43C4093	N
2	Microprocessor, Athlon64 5000+ X2 (2.60GHz, 1M L2, 65W) G1 65nm (models A1J A3S A3P A3D A3Y )	41X1427	N
2	Microprocessor, Athlon 1640B (2.70GHz, 512K L2, 45W) G2 65nm (models)	45R6488	N
2	Microprocessor, Athlon64 5200+ X2 (2.70GHz, 1M L2, 65W) G1 65nm (models)	45C7502	N
2	Microprocessor, Athlon64 5400B X2(2.80GHz, 1M L2, 65W) G2 65nm (models 71G A6C A7C 73G 75G 77G)	45R6486	N
2	Microprocessor, Athlon64 5600+ X2 (2.90GHz, 1M L2, 89W) G2 65nm (models)	45C7504	N
2	Microprocessor, Athlon BE-2350 X2 (2.10GHz, 1M L2, 45W) G2 65nm (models)	43C6166	N
2	Microprocessor, Athlon BE-2400 X2 (2.30GHz, 1M L2, 45W) G2 65nm (models)	43C6165	N
2	Microprocessor, Athlon 4450B X2 (2.30GHz, 1M L2, 45W) G2 65nm (models B2C B3C B4C)	46R3624	N
2	Microprocessor, Athlon 5000B X2 (2.60GHz, 1M L2, 65W) G2 65nm (models A1J A3S A3P A3D A3Y A9J B1J)	46R3625	N
2	Microprocessor, Athlon 5200B X2 (2.70GHz, 1M L2, 65W) G2 65nm (models)	46R3626	N
2	Microprocessor, Sempron LE-1250 (2.20GHz, 512K L2, 45W) G2 65nm (models)	43C6168	N
2	Microprocessor, Sempron LE-1300 (2.30GHz, 512K L2, 45W) G2 65nm (models A2S A2P A2D A2Y A5C )	43C8986	N

Item #	9705 FRUs	FRU#	CRU
2	Microprocessor, Sempron 2100 X2 (1.80GHz, 512K L2, 65W) G2 65nm (models)	46R3629	N
2	Microprocessor, Sempron 2200 X2 (2.00GHz, 512K L2, 65W) G2 65nm (models)	46R3630	N
2	Microprocessor, Phenom 8600B (2.30GHz, 1.5M L2, 2M L3, 95W) stepping B2 65nm (models A8C )	45R6494	N
2	Microprocessor, Phenom 9550 (2.20GHz, 2M L2, 2M L3, 95W) stepping B3 65nm (models)	45R6496	N
2	Microprocessor, Phenom 9650 (2.30GHz, 2M L2, 2M L3, 95W) stepping B3 65nm (models)	45R6498	N
2	Microprocessor, Phenom 9600B (2.30GHz, 2M L2, 2M L3, 95W) stepping B2 65nm (models A4S A4P A4D A4Y )	45R6500	N
2	Microprocessor, Phenom 8450 (2.10GHz, 1.5M L2, 2M L3, 95W) B3 65nm (models 72G 74G 76G 78G)	45R6490	N
2	Microprocessor, Athlon LE-1660 (2.8 GHz, 512K L2, 45W) G2 65nm (models CTO)	53Y7722	N
2	Microprocessor, Athlon X2 5600B (2.9 GHz, 1M L2, 65W) G2 65nm (models CTO)	53Y7718	N
2	Microprocessor, Athlon64 X2 6000+ (3.1 GHz, 1M L2, 89W) G2 65nm (models CTO)	53Y7720	N
2	Microprocessor, Athlon II X2 240 (2.8GHz, 2M Total Cache, AM3, 65W) C2 45nm (models 91Z)	64Y8012	N
2	Microprocessor, Athlon II X2 245 (2.9GHz, 2M Total Cache, AM3, 65W) C2 45nm (models 91Z)	64Y8013	N
2	Microprocessor, Athlon II X3 435 (2.9GHz, 1.5M Total Cache, AM3, 95W) C2 45nm (models 91Z)	64Y8020	N
2	Microprocessor, Phenom II X2 550 (3.1GHz, 7M Total Cache, AM3, 80W) C2 45nm (models 91Z)	64Y8024	N
2	Microprocessor, Phenom II X2 555 (3.2 GHz, 7M Total Cache, AM3, 80W) C3 45nm (models 91Z)	89Y0793	N
2	Microprocessor, Phenom II X3 720 (2.8GHz, 7.5M Total Cache, AM3, 95W) C2 45nm (models 91Z)	64Y8030	N
2	Microprocessor, Phenom II X4 910 (2.6GHz, 8M Total Cache, AM3, 95W) C2 45nm (models 91Z)	64Y8035	N
2	Microprocessor, Sempron X2 2300 (2.2GHz, 512K L2, 65W) G2 65nm (models CTO)	53Y7724	N
2	Microprocessor, Sempron 140 (2.7GHz, 1M Total Cache, AM3, 45W) C2 45nm (models 91Z)	71Y6414	N
2	Microprocessor, Phenom X3 8750B (2.4 GHz, 512K / 2M L2, 95W) B3 65nm (models CTO)	53Y7709	N
2	Microprocessor, Phenom X4 9750B (2.4 GHz, 512K / 2M L2, 95W) B3 65nm (models CTO)	53Y7711	N
3	Memory module, 512MB PC2-5300 (667MHz) DDR2 SDRAM (models A5C )	41X4255	2
3	Memory module, 512MB PC2-6400 (800MHz) DDR2 SDRAM (models)	41X1079	2
3	Memory module, 1GB PC2-6400 (667MHz) DDR2 SDRAM (models 71G 72G A9J B1J)	41X1080	2
3	Memory module, 2GB PC2-6400 (667MHz) DDR2 SDRAM (models 75G 76G 77G 78G)	41X1081	2
4	DVD-ROM Drive - 16x/48x - SATA Vista & non-Vista (models A5C A6C A7C A8C B2C)	41N3325	2
4	DVD-ROM Drive - 16x/48x - With DVD playback software (models A5C A6C A7C A8C B2C)	71Y5543	2

Item #	9705 FRUs	FRU#	CRU
4	DVD Recordable/CD-RW Rambo 8 - SATA Vista & non-Vista (models A1J 71G 72G A2S A2P A2D A2Y A3S A3P A3D A3Y A4S A4P A4D A4Y A9J B1J B3C B4C 73G 74G B5U B6U B7U 75G 76G 77G 78G)	43C1042	2
4	DVD-RW/CD-RW Rambo 8 - With write software (models A1J 71G 72G A2S A2P A2D A2Y A3S A3P A3D A3Y A4S A4P A4D A4Y A9J B1J B3C B4C 73G 74G B5U B6U B7U 75G 76G 77G 78G)	71Y5545	2
5	Diskette drive, 3.5" 1.44MB 2 Mode FDD with Bezel and cable (models)	40Y9105	2
5	Diskette drive, 3.5" 1.44MB 2 Mode FDD with Bezel and cable (models)	40Y9107	2
6	Bezel assembly, without IBM mark (all models)	41R6243	2
7	Power switch/LED assembly (all models)	41N5284	2
8	Speaker assembly, soldered terminals (all models)	39P5023	2
9	Front audio/USB assembly (all models)	41N8054	2
10	Hard disk drive, SATA 80GB 7200RPM/3Gb/8MB (models)	40Y9034	2
10	Hard disk drive, SATA 160GB 7200RPM/3Gb/8MB (models A1J A2S A2P A2D A2Y A3S A3P A3D A3Y A5C A6C A7C B2C)	40Y9035	2
10	Hard disk drive, SATA 160GB 7200RPM/3Gb/8MB (models A1J A2S A2P A2D A2Y A3S A3P A3D A3Y A5C A6C A7C B2C B5U B6U)	53Y6837	2
10	Hard disk drive, SATA 250GB 7200RPM/3Gb/8MB (models A4S A4P A4D A4Y A8C A9J B1J B3C B4C)	45K0408	2
10	Hard disk drive, SATA 320GB 7200rpm SATA/8MB (models 71G 72G 73G 74G B7U 75G 76G 77G 78G)	45K0409	2
10	Hard disk drive, SATA 500GB 7200RPM/3Gb/s/8MB (models)	45K0410	2
10	Hard disk drive, SATA 250GB 7200RPM/3Gb/8MB (models A4S A4P A4D A4Y A8C A9J B1J B3C B4C)	40Y9036	2
10	Hard disk drive, SATA 320GB 7200rpm SATA/8MB (models 71G 72G 73G 74G B7U 75G 76G 77G 78G)	87H4891	2
10	Hard disk drive, SATA 500GB 7200RPM/3Gb/s/8MB (models)	41X5582	2
11	System board, Planar AMD RS780 mATX (TOWER & ROCKYS) (models A1J 71G 72G A2S A2P A2D A2Y A3S A3P A3D A3Y A4S A4P A4D A4Y A5C A6C A7C A8C A9J B1J B2C B3C B4C 73G 74G B5U B6U B7U 75G 76G 77G 78G)	71Y5724	N
11	System board, Planar AMD RS780 mATX GA Level - TPM Disable for Russia (models 71G 72G 73G 74G 75G 76G 77G 78G)	71Y4994	N
11	System board, Planar AMD RS780 mATX GA Level - Support Phenom II X2 555 (models 91Z)	89Y1809	N
11	System board, Planar AMD RS780 mATX GA Level -Support Win7 and AM3 C2 CPU (models 91Z)	89Y1346	N
12	System fan, rear (all models)	41R6269	2
12	System fan, rear (all models)	43N9908	2
13	Power supply, ATX 280W (Robust, WW) (models 71G 72G A2S A2P A2D A2Y A3S A3P A3D A3Y A4S A4P A4D A4Y A5C A6C A7C A8C B2C B3C B4C 73G 74G B5U B6U B7U 75G 76G 77G 78G)	41A9684	2
13	Power supply, ATX 280W 80% (Robust, WW, JP) (models A1J 71G 72G A2S A2P A2D A2Y A3S A3P A3D A3Y A4S A4P A4D A4Y A5C A6C A7C A8C A9J B1J B2C B3C B4C 73G 74G B5U B6U B7U 75G 76G 77G 78G)	41A9665	2

Item #	9705 FRUs	FRU#	CRU
13	Power supply, ATX 310W (Robust, WW, JP) (models A1J 71G 72G A2S A2P A2D A2Y A3S A3P A3D A3Y A4S A4P A4D A4Y A5C A6C A7C A8C A9J B1J B2C B3C B4C 73G 74G B5U B6U B7U 75G 76G 77G 78G)	41A9726	2
13	Power supply, 220W (Robust, WW) (models 71G 72G A2S A2P A2D A2Y A3S A3P A3D A3Y A4S A4P A4D A4Y A5C A6C A7C A8C B2C B3C B4C 73G 74G B5U B6U B7U 75G 76G 77G 78G)	41A9689	N
13	Power supply, 220W only for JP (models A1J A9J B1J)	41A9697	N
13	Power supply, 220W 80% (Robust, WW, JP) (models A1J 71G 72G A2S A2P A2D A2Y A3S A3P A3D A3Y A4S A4P A4D A4Y A5C A6C A7C A8C A9J B1J B2C B3C B4C 73G 74G B5U B6U B7U 75G 76G 77G 78G)	41A9670	N
13	Power supply, 280W TFX ,Active PFC, (Robust, WW, JP) (models A1J 71G 72G A2S A2P A2D A2Y A3S A3P A3D A3Y A4S A4P A4D A4Y A5C A6C A7C A8C A9J B1J B2C B3C B4C 73G 74G B5U B6U B7U 75G 76G 77G 78G)	41A9705	N

The FRUs listed in the following tables are not illustrated.

9705 FRUs	FRU#	CRU
Cover (all models)	41N8050	2
Retainer, Card Reader (all models)	41R2913	2
Front Fan AVC (all models)	41R4791	2
HDD Tray (all models)	41R6291	2
FDD cable, 325mm, (all models)	41A7182	2
Cabel -SATA 457mm (RoHS) (all models)	43N9013	2
Cabel-SATA 250mm (RoHS) (all models)	43N9012	2
Optional HDD Bracket Asm (all models)	41R6106	2
EMC Shield (all models)	41N8080	2
EMC Shield (all models)	41N8078	2
Rear IO shield ATX,for RX 780,Atlantic (all models)	41R6383	N
Intrusion Switch Asm (all models)	41R6116	2
Temp Sense cable for Armstrong (460 mm) (all models)	41R2509	2
Blank 5.25" Bezel (all models)	41N8077	2
Asm Chassis Without IBM Mark Atlantic (all models)	41R6408	5
ODD/FDD/Cardreader Retainers (all models)	43N9351	2
AMD thermal KIT (all models)	41R6407	2
Cable Clip, FW-6D (all models)	43N9462	2
Fru,Tamdhu chassis primary HDD cage (all models)	45K6272	2

9705 Keyboards (Lenovo Preferred Pro USB -- without hub)	FRU#	CRU Tier
USB FULL--US English (models 71G 72G 73G 74G B5U B6U B7U 75G 76G 77G 78G)	41A5289	1
USB FULL--Arabic (models 71G 72G 73G 74G 75G 76G 77G 78G)	41A5290	1
USB FULL--Arabic/French (models 71G 72G 73G 74G 75G 76G 77G 78G)	41A5291	1

<b>9705 Keyboards (Lenovo Preferred Pro USB -- without hub)</b>	<b>FRU#</b>	<b>CRU Tier</b>
USB FULL--Belgian/French (models)	41A5292	1
USB FULL--Belgium English (models 71G 72G 73G 74G 75G 76G 77G 78G)	41A5293	1
USB FULL--Brazilian Portuguese (models A2P A3P A4P )	41A5294	1
USB FULL--Bulgarian (models 71G 72G 73G 74G 75G 76G 77G 78G)	41A5295	1
USB FULL--Chinese/US (models)	41A5296	1
USB FULL--Czech (ABB) (models 71G 72G 73G 74G 75G 76G 77G 78G)	41A5297	1
USB FULL--Danish (models 71G 72G 73G 74G 75G 76G 77G 78G)	41A5298	1
USB FULL--Dutch (models 71G 72G 73G 74G 75G 76G 77G 78G)	41A5299	1
USB FULL--French (models 71G 72G 73G 74G 75G 76G 77G 78G)	41A5300	1
USB FULL--French Canadian (models 71G 72G 73G 74G 75G 76G 77G 78G)	41A5301	1
USB FULL--French Canadian (models 71G 72G 73G 74G 75G 76G 77G 78G)	41A5302	1
USB FULL--German (models 71G 72G 73G 74G 75G 76G 77G 78G)	41A5303	1
USB FULL--Greek (models 71G 72G 73G 74G 75G 76G 77G 78G)	41A5304	1
USB FULL--Greek/US (models 71G 72G 73G 74G 75G 76G 77G 78G)	41A5305	1
USB FULL--Hebrew (models 71G 72G 73G 74G 75G 76G 77G 78G)	41A5306	1
USB FULL--Hungarian (models 71G 72G 73G 74G 75G 76G 77G 78G)	41A5307	1
USB FULL--Iceland (models 71G 72G 73G 74G 75G 76G 77G 78G)	41A5308	1
USB FULL--Italy (models 71G 72G 73G 74G 75G 76G 77G 78G)	41A5309	1
USB FULL--Japanese (models A1J A9J B1J)	41A5310	1
USB FULL--Korean (models)	41A5311	1
USB FULL--LA Spanish (models A2S A2D A2Y A3S A3D A3Y A4S A4D A4Y )	41A5312	1
USB FULL--Norwegian (models 71G 72G 73G 74G 75G 76G 77G 78G)	41A5313	1
USB FULL--Polish (models 71G 72G 73G 74G 75G 76G 77G 78G)	41A5314	1
USB FULL--Portugese (models 71G 72G 73G 74G 75G 76G 77G 78G)	41A5315	1
USB FULL--Romanian (models 71G 72G 73G 74G 75G 76G 77G 78G)	41A5317	1
USB FULL--Russian/Cyrillic (models 71G 72G 73G 74G 75G 76G 77G 78G)	41A5318	1
USB FULL--Serbian/Cyrillic (models 71G 72G 73G 74G 75G 76G 77G 78G)	41A5319	1
USB FULL--Slovak (models 71G 72G 73G 74G 75G 76G 77G 78G)	41A5320	1
USB FULL--Spanish (models 71G 72G 73G 74G 75G 76G 77G 78G)	41A5321	1
USB FULL--Swedish/Finnish (models 71G 72G 73G 74G 75G 76G 77G 78G)	41A5322	1
USB FULL--Swiss F/G (models 71G 72G 73G 74G 75G 76G 77G 78G)	41A5323	1
USB FULL--Thailand (models)	41A5324	1
USB FULL--Turkish (models 71G 72G 73G 74G 75G 76G 77G 78G)	41A5325	1
USB FULL--Turkish (models 71G 72G 73G 74G 75G 76G 77G 78G)	41A5326	1
USB FULL--UK English (models 71G 72G 73G 74G 75G 76G 77G 78G)	41A5327	1
USB FULL--US Euro (models 71G 72G 73G 74G 75G 76G 77G 78G)	41A5328	1
USB FULL--Slovenian (models)	41A5329	1



<b>9705 Keyboards (Lenovo Fingerprint Reader USB)</b>	<b>FRU#</b>	<b>CRU Tier</b>
US English (models)	41R0038	1
Arabic (models)	41R0039	1
Arabic/French (models)	41R0040	1
Belgian/French (models)	41R0041	1
Belgium English (models)	41R0042	1
Brazilian Portuguese (models)	41R0043	1
Bulgarian (models)	41R0044	1
Chinese/US (models)	41R0045	1
Czech (ABB) (models)	41R0046	1
Danish (models)	41R0047	1
Dutch (models)	41R0048	1
French (models)	41R0049	1
French Canadian (models)	41R0050	1
French Canadian (models)	41R0051	1
German (models)	41R0052	1
Greek (models)	41R0053	1
Greek/US (models)	41R0054	1
Hebrew (models)	41R0055	1
Hungarian (models)	41R0056	1
Iceland (models)	41R0057	1
Italy (models)	41R0058	1
Japanese (models)	41R0059	1
Korean (models)	41R0060	1
LA Spanish (models)	41R0061	1
Norwegian (models)	41R0062	1
Polish (models)	41R0063	1
Portuguese (models)	41R0064	1
Romanian (models)	41R0065	1
Romanian (models)	41R0066	1
Russian/Cyrillic (models)	41R0067	1
Serbian/Cyrillic (models)	41R0068	1
Slovak (models)	41R0069	1
Spanish (models)	41R0070	1
Swedish/Finnish (models)	41R0071	1
Swiss F/G (models)	41R0072	1
Thailand (models)	41R0073	1
Turkish (models)	41R0074	1
Turkish (models)	41R0075	1

<b>9705 Keyboards (Lenovo Fingerprint Reader USB)</b>	<b>FRU#</b>	<b>CRU Tier</b>
UK English (models)	41R0076	1
US Euro (models)	41R0077	1
Slovenian (models)	41R0078	1

<b>9705 Keyboards (Lenovo Preferred Pro PS/2 Full Size)</b>	<b>FRU#</b>	<b>CRU Tier</b>
PS/2 Full--US English (models)	41A5039	1
PS/2 Full--Arabic (models)	41A5040	1
PS/2 Full--Arabic/French (models)	41A5041	1
PS/2 Full--Belgian/French (models)	41A5042	1
PS/2 Full--Belgium English (models)	41A5043	1
PS/2 Full--Brazilian Portuguese (models)	41A5044	1
PS/2 Full--Bulgarian (models)	41A5045	1
PS/2 Full--Chinese/US (models)	41A5046	1
PS/2 Full--Czech (ABB) (models)	41A5047	1
PS/2 Full--Danish (models)	41A5048	1
PS/2 Full--Dutch (models)	41A5049	1
PS/2 Full--French (models)	41A5050	1
PS/2 Full--French Canadian (models)	41A5051	1
PS/2 Full--French Canadian (models)	41A5052	1
PS/2 Full--German (models)	41A5053	1
PS/2 Full--Greek (models)	41A5054	1
PS/2 Full--Greek/US (models)	41A5080	1
PS/2 Full--Hebrew (models)	41A5055	1
PS/2 Full--Hungarian (models)	41A5056	1
PS/2 Full--Iceland (models)	41A5057	1
PS/2 Full--Italy (models)	41A5058	1
PS/2 Full--Japanese (models)	41A5059	1
PS/2 Full--Korean (models)	41A5060	1
PS/2 Full--LA Spanish (models)	41A5061	1
PS/2 Full--Norwegian (models)	41A5062	1
PS/2 Full--Polish (models)	41A5063	1
PS/2 Full--Portugese (models)	41A5064	1
PS/2 Full--Romanian (models)	41A5065	1
PS/2 Full--Russian/Cyrillic (models)	41A5066	1
PS/2 Full--Serbian/Cyrillic (models)	41A5067	1
PS/2 Full--Slovak (models)	41A5068	1
PS/2 Full--Spanish (models)	41A5069	1
PS/2 Full--Swedish/Finnish (models)	41A5070	1

<b>9705 Keyboards (Lenovo Preferred Pro PS/2 Full Size)</b>	<b>FRU#</b>	<b>CRU Tier</b>
PS/2 Full--Swiss F/G (models)	41A5071	1
PS/2 Full--Thailand (models)	41A5072	1
PS/2 Full--Turkish (models)	41A5073	1
PS/2 Full--Turkish (models)	41A5074	1
PS/2 Full--UK English (models)	41A5075	1
PS/2 Full--US Euro (models)	41A5076	1
PS/2 Full--Slovenian (models)	41A5077	1

<b>9705 mice</b>	<b>FRU#</b>	<b>CRU</b>
Optical Wheel Mouse (400DPI, USB) (models A1J 71G 72G A2S A2P A2D A2Y A3S A3P A3D A3Y A4S A4P A4D A4Y A5C A6C A7C A8C A9J B1J B2C B3C B4C 73G 74G B5U B6U B7U 75G 76G 77G 78G)	41U3013	1
Optical Wheel Mouse (400DPI, USB) (models A1J 71G 72G A2S A2P A2D A2Y A3S A3P A3D A3Y A4S A4P A4D A4Y A5C A6C A7C A8C A9J B1J B2C B3C B4C 73G 74G B5U B6U B7U 75G 76G 77G 78G)	41U3030	1
PS/2 Three Button ball mouse (41R0017) (models)	41R0018	1

<b>9705 Adapters and miscellaneous FRUs</b>	<b>FRU#</b>	<b>CRU</b>
Internal USB Memory Card Reader floppy bay (models)	41R3378	2
Internal 20 in 1 USB Memory Card Reader (models)	45R8139	1
NVIDIA GeForce 9300 GE 256M Full Height (DVI+VGA) (TOWER) (models CTO)	45R5494	2
ATI HD 2600XT 512MB 128BIT ATX (models)	43C0261	2
IEEE 1394 Firewire Adapter SFF (models)	41D2781	2
IEEE 1394 Firewire Adapter ATX (models)	41D2781	2
Soft Modem V.90/V.44 SFF (models)	29R9729	2
Soft Modem V.90/V.44 ATX (models)	29R9729	2
ATI HD 2400PRO 128MB 64BIT DMS59 ATX (models)	43C0259	2
ATI HD 2400XT 256MB 64BIT DMS59 ATX Secondary (models)	46R4160	2
Speaker Power brick - US, Canada, LA low voltage, ASEAN (models)	89P8571	1
Speaker Power brick - LA high voltage (non-APU) (models)	89P8575	1
Speaker Power brick - SIMPLIFIED -CHN, Thailand EMEA (models 71G 72G A5C A6C A7C A8C B2C B3C B4C 73G 74G)	89P8581	1
Speaker Power brick - Japan (models A1J A9J B1J)	89P8577	1
Speaker Power brick - Brazil (models)	89P8583	1
Speaker Power brick - Argentina (models)	41A4901	1
Speaker Power brick - ANZ (models)	89P8579	1
Speaker Power brick - Korean (models)	41A4903	1
Speaker Power brick - Hong Kong, EMEA (models 71G 72G 73G 74G 75G 76G 77G 78G)	89P8573	1
Speaker Power brick -TAIWAN-TC (models)	41A4905	1
Speaker Power brick - India, South Africa (models)	89P8585	1

<b>9705 Adapters and miscellaneous FRUs</b>	<b>FRU#</b>	<b>CRU</b>
Dongle DMS Dule DMS-59 to dual VGA Cable (models)	42Y8181	2
Dongle DMS Dule DMS-59 to dual DVI Cable (models)	41X6398	2
Dongle DMS Dule DMS-59 to single VGA & single DVI Cable (models)	42Y8183	2
2-pc external speaker--primary (models)	41A5331	1
2-pc external speaker-secondary (models)	41A5334	1
DVI-I(M)-VGA(F) cord (models)	41R3342	2
Battery 3V- Lithium (models A1J 71G 72G A2S A2P A2D A2Y A3S A3P A3D A3Y A4S A4P A4D A4Y A5C A6C A7C A8C A9J B1J B2C B3C B4C 73G 74G B5U B6U B7U 75G 76G 77G 78G)	45C1566	1

<b>9705 Power Cords</b>	<b>FRU#</b>	<b>CRU</b>
Power cord - US (models A2S A2Y A3S A3Y A4S A4Y)	41R3184	1
Power cord - US (models A2S A2Y A3S A3Y A4S A4Y)	41R3185	1
Power cord - China (models A5C A6C A7C A8C B2C B3C B4C)	41R3256	1
Power cord - China (models A5C A6C A7C A8C B2C B3C B4C)	41R3257	1
Power cord - Japanese and Japanese English (models A1J A9J B1J)	41R3248	1
Power cord - Japanese and Japanese English (models A1J A9J B1J)	41R3249	1
Power cord - Brazil (Portigese) (models)	41R3270	1
Power cord - Brazil (Portigese) (models)	41R3271	1
Power cord - LA High Volt (APU) (models)	41R3176	1
Power cord - LA High Volt (APU) (models)	41R3177	1
Power cord - ANZ (models)	41R3196	1
Power cord - ANZ (models)	41R3197	1
Power cord - Korea (models)	41R3260	1
Power cord - Korea (models)	41R3261	1
Power cord - UK, Ireland, Singapore, Malaysia, Brunei, Hongkong (models)	41R3224	1
Power cord - UK, Ireland, Singapore, Malaysia, Brunei, Hongkong (models)	41R3225	1
Power cord - Taiwan (models)	41R3278	1
Power cord - Taiwan (models)	41R3279	1
Power cord - Italy (models)	41R3232	1
Power cord - Italy (models)	41R3233	1
Power cord - Indonesia, Laos, Cambodia, Vietnam, Austria, Belgium, Croatia, Czechoslovakia, Finland, France, Germany, Hungary, Netherlands, Norway, Poland, Portugal, Romania, Spain, Sweden (models A2S A2Y A3S A3Y A4S A4Y )	41R3208	1
Power cord - Indonesia, Laos, Cambodia, Vietnam, Austria, Belgium, Croatia, Czechoslovakia, Finland, France, Germany, Hungary, Netherlands, Norway, Poland, Portugal, Romania, Spain, Sweden (models A2S A2Y A3S A3Y A4S A4Y )	41R3209	1
Power cord - Denmark (models 71G 72G 73G 74G 75G 76G 77G 78G )	41R3212	1
Power cord - Denmark (models 71G 72G 73G 74G 75G 76G 77G 78G )	41R3213	1
Power cord - Switzerland (models 71G 72G 73G 74G 75G 76G 77G 78G )	41R3228	1
Power cord - Switzerland (models 71G 72G 73G 74G 75G 76G 77G 78G )	41R3229	1
Power cord - Israel (models 71G 72G 73G 74G 75G 76G 77G 78G)	41R3236	1

<b>9705 Power Cords</b>	<b>FRU#</b>	<b>CRU</b>
Power cord - Israel (models 71G 72G 73G 74G 75G 76G 77G 78G)	41R3237	1
Power cord - South Africa (models 71G 72G 73G 74G 75G 76G 77G 78G)	41R3220	1
Power cord - South Africa (models 71G 72G 73G 74G 75G 76G 77G 78G)	41R3221	1
Power cord - India (models)	41R3341	1
Power cord - India (models)	41R3175	1
Power cord - Thailand (models)	43N9029	1
Power cord - Thailand (models)	43N9030	1
Power cord - Brazil (models)	43N9044	1

<b>9705 Windows XP Home Recovery CDs</b>	<b>FRU#</b>	<b>CRU</b>
US English/UK/Asia Pacific (models)	TBD	1
French/French Canadian (models)	TBD	1
Greek (models)	TBD	1
Italy (models)	TBD	1
Brazilian (models)	TBD	1
Spanish/LA (models)	TBD	1
Danish (models)	TBD	1
Dutch (models)	TBD	1
Arabic (models)	TBD	1
SV (Swedish) (models)	TBD	1
Hebrew (models)	TBD	1
Finnish (models)	TBD	1
Norwegian (models)	TBD	1
Polish (models)	TBD	1
Portugese (models)	TBD	1
Russian (models)	TBD	1
Russian English (models)	TBD	1
Hungarian (models)	TBD	1
Czech (models)	TBD	1
Turkish native (models)	TBD	1
Greek (models)	TBD	1
Japanese (models)	TBD	1
Simplified Chinese (models)	TBD	1
Taiwan-TC (models)	TBD	1
Hong Kong-TC (models)	TBD	1
Korean (models)	TBD	1

<b>9705 Windows XP Pro Recovery CDs</b>	<b>FRU#</b>	<b>CRU</b>
English (models 73G 74G 75G 76G 77G 78G)	64Y5588	1
Japanese (models)	64Y6202	1
Simplified Chinese (models)	64Y5590	1
Spanish (models 73G 74G 75G 76G 77G 78G)	64Y5591	1
French (models 73G 74G 75G 76G 77G 78G)	64Y5592	1
Italian (models 73G 74G 75G 76G 77G 78G)	64Y5593	1
Brazilian Portuguese (models)	64Y5594	1
German (models 73G 74G 75G 76G 77G 78G)	64Y5595	1
Hong Kong (models)	64Y5596	1
Swedish (models 73G 74G 75G 76G 77G 78G)	64Y5597	1
Danish (models 73G 74G 75G 76G 77G 78G)	64Y5598	1
Norway (models 73G 74G 75G 76G 77G 78G)	64Y5599	1
Finland (models 73G 74G 75G 76G 77G 78G)	64Y5600	1
Arabic (models 73G 74G 75G 76G 77G 78G)	64Y5601	1
Traditional Chinese (models)	64Y5602	1
Russian (models 73G 74G 75G 76G 77G 78G)	64Y5603	1
Polish (models 73G 74G 75G 76G 77G 78G)	64Y5604	1
Hebrew (models 73G 74G 75G 76G 77G 78G)	64Y5605	1
Korea (models)	64Y5606	1
Greek (models 73G 74G 75G 76G 77G 78G)	64Y5607	1
Turkish (models 73G 74G 75G 76G 77G 78G)	64Y5608	1
Dutch (models 73G 74G 75G 76G 77G 78G)	64Y5609	1
Slovenian (models 73G 74G 75G 76G 77G 78G)	64Y5610	1
Hungarian (models 73G 74G 75G 76G 77G 78G)	64Y5611	1
Czech (models 73G 74G 75G 76G 77G 78G)	64Y5612	1
Portuguese (models)	64Y5613	1
Russian English (models 73G 74G 75G 76G 77G 78G)	64Y5614	1
MUI Nordics (EN-DK-FI-NO-SV) (models 73G 74G 75G 76G 77G 78G)	71Y6401	1
MUI Switz (EN-FR-GR-IT) (models 73G 74G 75G 76G 77G 78G)	71Y6402	1
MUI Bel-Lux (EN-FR-GR-NL) (models 73G 74G 75G 76G 77G 78G)	71Y6403	1

<b>9705 Vista Home Basic 32 Recovery CDs</b>	<b>FRU#</b>	<b>CRU</b>
US English (models)	46R8053	1
French (models)	46R8057	1
German (models)	46R8060	1
Spanish (models)	46R8056	1
Brazilian (models)	46R8059	1
Italian (models)	46R8058	1
Japanese (models)	64Y6207	1

<b>9705 Vista Home Basic 32 Recovery CDs</b>	<b>FRU#</b>	<b>CRU</b>
Dutch (models)	46R8070	1
Czech (models)	46R8074	1
Polish (models)	46R8065	1
Russian (models)	46R8064	1
Turkish (models)	46R8069	1
Hungarian (models)	46R8073	1
Greek (models)	46R8068	1
Portuguese (models)	46R8077	1
Hong Kong (models)	46R8061	1
Traditional Chinese (models)	46R8063	1
Korean (models)	46R8067	1
Slovenian (models)	46R8071	1
Russian English (models)	46R8078	1
Hebrew (models)	46R8066	1
Arabic Localized (models)	46R8062	1
Slovakian (models)	46R8075	1
Simplified Chinese (models)	46R8055	1
Serbian-Latin (models)	46R8076	1
Romanian (models)	46R8072	1
Belgium-Luxembourg (models)	53Y4230	1
Switzerland (models)	53Y4231	1
Nordics (models)	53Y4232	1

<b>9705 Vista Business 32 Recovery CDs</b>	<b>FRU#</b>	<b>CRU</b>
US English (models 71G 72G 75G 76G 77G 78G)	46R8079	1
French (models 71G 72G 75G 76G 77G 78G)	46R8083	1
German (models 71G 72G 75G 76G 77G 78G)	46R8086	1
Spanish (models 71G 72G 75G 76G 77G 78G)	46R8082	1
Brazilian (models)	46R8085	1
Italian (models 71G 72G 75G 76G 77G 78G)	46R8084	1
Japanese (models A1J A9J B1J)	64Y6205	1
English for Indian (models 71G 72G 75G 76G 77G 78G)	64Y9435	1
Dutch (models 71G 72G 75G 76G 77G 78G)	46R8096	1
Czech (models)	46R8100	1
Polish (models 71G 72G 75G 76G 77G 78G)	46R8091	1
Russian (models 71G 72G 75G 76G 77G 78G)	46R8090	1
Turkish (models 71G 72G 75G 76G 77G 78G)	46R8095	1
Hungarian (models 71G 72G 75G 76G 77G 78G)	46R8099	1
Greek (models 71G 72G 75G 76G 77G 78G)	46R8094	1

<b>9705 Vista Business 32 Recovery CDs</b>	<b>FRU#</b>	<b>CRU</b>
Portuguese (models 71G 72G 75G 76G 77G 78G)	46R8103	1
Simplified Chinese (models)	46R8081	1
Hong Kong (models)	46R8087	1
Traditional Chinese (models)	46R8089	1
Korean (models)	46R8093	1
Slovenian (models)	46R8097	1
Russian English (models 71G 72G 75G 76G 77G 78G)	46R8104	1
Romanian (models 71G 72G 75G 76G 77G 78G)	46R8098	1
Sebian-Latin (models)	46R8102	1
Hebrew (models 71G 72G 75G 76G 77G 78G)	46R8092	1
Arabic Localized (models)	46R8088	1
Slovakian (models 71G 72G 75G 76G 77G 78G)	46R8101	1
Belgium-Luxembourg (models 71G 72G 75G 76G 77G 78G)	53Y4233	1
Switzerland (models 71G 72G 75G 76G 77G 78G)	53Y4234	1
Nordics (models 71G 72G 75G 76G 77G 78G)	53Y4235	1

<b>9705 Vista Premium 32 Recovery CDs</b>	<b>FRU#</b>	<b>CRU</b>
US English (models)	46R8141	1
French (models)	46R8143	1
German (models)	46R8144	1
Spanish (models)	46R8145	1
Italian (models)	46R8146	1
Japanese (models)	64Y6208	1
Hong Kong (models)	46R8147	1
Korean (models)	46R8148	1
Athens Vista SP1 MUL 1 P/N's VHP32 (EN FR GR NL) (models)	53Y4236	1
Athens Vista SP1 MUL 2 P/N's VHP32 (EN FR GR IT) (models)	53Y4237	1
Athens Vista SP1 MUL 3P/N's VHP32 (EN DK FI NO SV) (models)	53Y4238	1

<b>9705 Vista Business 64 Recovery CDs</b>	<b>FRU#</b>	<b>CRU</b>
US English (models)	46R8131	1
French (models)	46R8134	1
German (models)	46R8135	1
Japanese (models)	64Y6210	1
Simplified Chinese (models)	46R8133	1

<b>9705 Vista Ultimate 32 Recovery CDs</b>	<b>FRU#</b>	<b>CRU</b>
US English (models)	46R8149	1
Japanese (models)	64Y6209	1



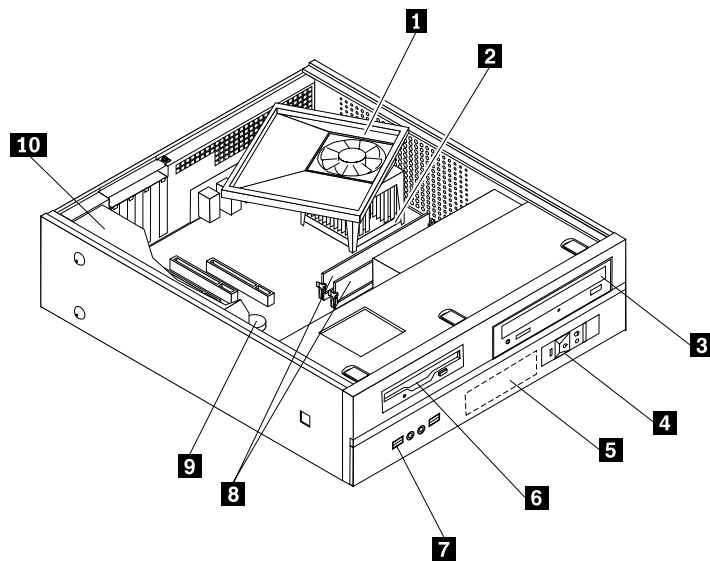
9705 Vista Ultimate 32 Recovery CDs	FRU#	CRU
French (models)	46R8151	1
German (models)	46R8152	1
Spanish (models)	46R8153	1
Italian (models)	46R8154	1
Hong Kong (models)	46R8155	1
Arabic Localized (models)	46R8156	1
Athens Vista SP1 MUL 1 P/N's VU32 (EN DK FI NO SV) (models)	53Y4239	1

9705 Vista Starter 32 Recovery CDs	FRU#	CRU
English (models)	46R8052	1

9705 Vista Home Premium 64 Recovery CDs	FRU#	CRU
US (models)	71Y6634	1
French (models)	71Y6635	1

9705 Win7 Professional 32	FRU#	CRU
Brazilian Portuguese (all models)	89Y0454	1

## Machine Type 9707



Item #	9707 FRUs	FRU#	CRU
1	AMD 89W&65W 4Pin heatsink (ROCKYS) (all models)	41R6407	2
2	Microprocessor, Athlon64 4800+ X2 (2.50GHz, 1M L2, 65W) G1 65nm (models)	43C4093	N
2	Microprocessor, Athlon64 5000+ X2 (2.60GHz, 1M L2, 65W) G1 65nm (models A1J )	41X1427	N
2	Microprocessor, Athlon 1640B (2.70GHz, 512K L2, 45W) G2 65nm (models CTO)	45R6488	N

Item #	9707 FRUs	FRU#	CRU
2	Microprocessor, Athlon64 5200+ AM2 X2 (2.7 GHz processor, 65W) stepping G1 65nm (models)	45C7502	N
2	Microprocessor, Athlon64 5400B X2(2.80GHz, 1M L2, 65W) G2 65nm (models A2S A2P A2D A2Y CTO)	45R6486	N
2	Microprocessor, Athlon64 5600+ X2 (2.90GHz, 1M L2, 89W) G2 65nm (models)	45C7504	N
2	Microprocessor, Athlon X2 BE 2350 (2.1GHz processor, 45W, 1MB L2) steping G1 (models)	43C6166	N
2	Microprocessor, Athlon X2 BE 2400 (2.3GHz processor, 45W, 1MB L2) steping G1 (models)	43C6165	N
2	Microprocessor, Athlon 4450B X2 (2.30GHz, 1M L2, 45W) G2 65nm (models)	46R3624	N
2	Microprocessor, Athlon 5000B X2 (2.60GHz, 1M L2, 65W) G2 65nm (models A1J A6J A7J)	46R3625	N
2	Microprocessor, Athlon 5200B X2 (2.70GHz, 1M L2, 65W) G2 65nm (models CTO)	46R3626	N
2	Microprocessor, Athlon LE-1660 (2.8 GHz, 512K L2, 45W) G2 65nm (models CTO)	53Y7722	N
2	Microprocessor, Athlon X2 5600B (2.9 GHz, 1M L2, 65W) G2 65nm (models CTO)	53Y7718	N
2	Microprocessor, Athlon64 X2 6000+ (3.1 GHz, 1M L2, 89W) G2 65nm (models CTO)	53Y7720	N
2	Microprocessor, Sempron LE-1250 (2.20GHz, 512K L2, 45W) G2 65nm (models)	43C6168	N
2	Microprocessor, Sempron LE-1300 (2.30GHz, 512K L2, 45W) G2 65nm (models A4S A4P A4D A4Y A5J)	43C8986	N
2	Microprocessor, Sempron 2100 X2 (1.80GHz, 512K L2, 65W) G2 65nm (models)	46R3629	N
2	Microprocessor, Sempron 2200 X2 (2.00GHz, 512K L2, 65W) G2 65nm (models)	46R3630	N
2	Microprocessor, Sempron X2 2300 (2.2GHz, 512K L2, 65W) G2 65nm (models CTO)	53Y7724	N
2	Microprocessor Sempron 140 (2.7GHz, 1M Total Cache, AM3, 45W) C2 45nm (models 91Z)	71Y6414	N
2	Microprocessor, Phenom 8600B (2.30GHz, 1.5M L2, 2M L3, 95W) stepping B2 65nm (models A3S A3P A3D A3Y )	45R6494	N
2	Microprocessor, Phenom 9550 (2.20GHz, 2M L2, 2M L3, 95W) stepping B3 65nm (models)	45R6496	N
2	Microprocessor, Athlon II X2 240 (2.8GHz, 2M Total Cache, AM3, 65W) C2 45nm (models 91Z)	64Y8012	N
2	Microprocessor, Athlon II X2 245 (2.9G Hz, 2M Total Cache, AM3, 65W) C2 45nm (models 91Z)	64Y8013	N
2	Microprocessor, Athlon II X3 435 (2.9GHz, 1.5M Total Cache, AM3, 95W) C2 45nm (models 91Z)	64Y8020	N
2	Microprocessor, Phenom II X2 550 (3.1GHz, 7M Total Cache, AM3, 80W) C2 45nm (models 91Z)	64Y8024	N
2	Microprocessor, Phenom II X2 555 (3.2 GHz, 7M Total Cache, AM3, 80W) C3 45nm (models 91Z)	89Y0793	N
2	Microprocessor, Phenom II X3 720 (2.8GHz, 7.5M Total Cache, AM3, 95W) C2 45nm (models 91Z)	64Y8030	N
2	Microprocessor, Phenom II X4 910 (2.6GHz, 8M Total Cache, AM3, 95W) C2 45nm (models 91Z)	64Y8035	N
2	Microprocessor, Phenom 9650 (2.30GHz, 2M L2, 2M L3, 95W) stepping B3 65nm (models)	45R6498	N

Item #	9707 FRUs	FRU#	CRU
2	Microprocessor, Phenom 9600B (2.30GHz, 2M L2, 2M L3, 95W) stepping B2 65nm (models)	45R6500	N
2	Microprocessor, Phenom 8450 (2.10GHz, 1.5M L2, 2M L3, 95W) B3 65nm (models A8J A9J)	45R6490	N
2	Microprocessor, Phenom X3 8600B (2.3GHz, 1.5M L2, 2M L3, 95W) B3 65nm (models)	45R6494	N
2	Microprocessor, Phenom 9550 (2.20GHz, 2M L2, 2M L3, 95W) stepping B3 65nm (models CTO)	53Y7709	N
2	Microprocessor, Phenom X4 9750B (2.4 GHz, 512K / 2M L2, 95W) B3 65nm (models CTO)	53Y7711	N
3	DVD-ROM Drive - 16x/48x - With DVD playback software (models A4S A4P A4D A4Y )	71Y5543	N
3	DVD-RW/CD-RW Rambo 8 - With write software (models A1J A2S A2P A2D A2Y A3S A3P A3D A3Y A5J A6J A7J A8J A9J)	71Y5545	N
3	DVD-ROM Drive - 16x/48x - SATA Vista & non-Vista (models A4S A4P A4D A4Y )	41N3325	2
3	DVD Recordable/CD-RW Rambo 8 - SATA Vista & non-Vista (models A1J A2S A2P A2D A2Y A3S A3P A3D A3Y A5J A6J A7J A8J A9J)	43C1042	2
4	Front Power/LED PC, bracket, and cable (all models)	41N8213	2
5	Hard disk drive, 80GB, 7200RPM, SATA (models)	40Y9034	2
5	Hard disk drive, 160GB, 7200RPM, SATA (models A1J A2S A2P A2D A2Y A4S A4P A4D A4Y A5J A6J A7J)	40Y9035	2
5	Hard disk drive, SATA 160GB 7200RPM/3Gb/8MB (models A1J A2S A2P A2D A2Y A4S A4P A4D A4Y A5J A6J A7J)	53Y6837	2
5	Hard disk drive, SATA 250GB 7200RPM/3Gb/8MB (models A3S A3P A3D A3Y)	45K0408	2
5	Hard disk drive, SATA 320GB 7200rpm SATA/8MB (models A8J A9J)	45K0409	2
5	Hard disk drive, SATA 500GB 7200RPM/3Gb/s/8MB (models)	45K0410	2
5	Hard disk drive, 250GB, 7200RPM, SATA (models A3S A3P A3D A3Y )	40Y9036	2
5	Hard disk drive, 320GB 7200rpm SATA/8MB (models A8J A9J)	87H4891	2
5	Hard disk drive, SATA 500GB 7200RPM/3Gb/s/8MB (models)	41X5582	2
6	Diskette drive, 3.5" 1.44MB 2 Mode FDD with Bezel and cable (models A1J A5J A6J A7J A8J A9J)	40Y9105	2
6	Diskette drive, 3.5" 1.44MB 2 Mode FDD with Bezel and cable (models A1J A5J A6J A7J A8J A9J)	40Y9107	2
7	Front USB/Audio with bracket (all models)	41N8212	2
8	Memory module, 512 MB PC2-5300 (667MHz) DDR2 SDRAM (models A4S A4P A4D A4Y )	41X4255	2
8	Memory module, 512MB PC2-6400 (800MHz) DDR2 SDRAM (models)	41X1079	2
8	Memory module, 1GB PC2-6400 (667MHz) DDR2 SDRAM (models A1J A5J A6J A7J A8J A9J)	41X1080	2
8	Memory module, 2GB PC2-6400 (667MHz) DDR2 SDRAM (models)	41X1081	2
9	System board, Planar AMD RS780 mATX (TOWER & ROCKYS) (models A1J A2S A2P A2D A2Y A3S A3P A3D A3Y A4S A4P A4D A4Y A5J A6J A7J A8J A9J)	71Y5724	N
9	System board, Planar AMD RS780 mATX GA Level - TPM Disable for Russia (models)	71Y4994	N

Item #	9707 FRUs	FRU#	CRU
9	System board, Planar AMD RS780 mATX GA Level - Support Phenom II X2 555 (models 91Z)	89Y1346	N
9	System board, Planar AMD RS780 mATX GA Level -Support Win7 and AM3 C2 CPU (models 91Z)	89Y1809	N
10	Power Supply, ATX 280 Watt world wide (models A2S A2P A2D A2Y A3S A3P A3D A3Y A4S A4P A4D A4Y )	41A9684	2
10	Power Supply, ATX 280 Watt 80% world wide and Japan (models A1J A2S A2P A2D A2Y A3S A3P A3D A3Y A4S A4P A4D A4Y A5J A6J A7J A8J A9J)	41A9665	2
10	Power Supply, ATX 310 Watt world wide and Japan (models A1J A2S A2P A2D A2Y A3S A3P A3D A3Y A4S A4P A4D A4Y A5J A6J A7J A8J A9J)	41A9726	2
10	Power Supply, 220 Watt world wide (models A2S A2P A2D A2Y A3S A3P A3D A3Y A4S A4P A4D A4Y )	41A9689	N
10	Power Supply, 220 Watt only for Japan (models A1J A5J A6J A7J A8J A9J)	41A9697	N
10	Power Supply, 220 Watt 80% world wide and Japan (models A1J A2S A2P A2D A2Y A3S A3P A3D A3Y A4S A4P A4D A4Y A5J A6J A7J A8J A9J)	41A9670	N
10	Power Supply, 280 Watt TFX Active PFC, world wide and Japan (models A1J A2S A2P A2D A2Y A3S A3P A3D A3Y A4S A4P A4D A4Y A5J A6J A7J A8J A9J)	41A9705	N

The FRUs listed in the following tables are not illustrated.

9707 FRUs	FRU#	CRU
Fru rear IO shield ATX,for RX 780,Atlantic (all models)	41R6383	N
FDD Cable (all models)	41A7147	2
Cabel-SATA 250mm (RoHS) (all models)	43N9012	2
EMC Shield, Blank 5.25 (all models)	41N8271	2
EMC Shield, Blank FDD (all models)	41N8273	2
Cover, Rocky S3 (all models)	41N8204	2
Mechanical shell kit Rocky S4 (all models)	43N9374	N
Bezel kit, Rocky S3 without IBM logo (all models)	41R6238	2
Misc Hardware Kit (all models)	41N8209	2
HDD Bracket Asm (plastic and grommets) (all models)	41N8210	2
HDD Fan and bracket asm (all models)	41R6325	2
Speaker Cable Asm, 600 mm cable length (all models)	41N8217	2
Rear Com2 cable II LP (all models)	42Y8008	2
Rear USB 2Ports II LP (all models)	42Y8006	2
Foot stand ASM for ACE rocky S3 (all models)	41R4813	1
Instruction switch Asm (all models)	41R6208	2
RM Asm, AMD (all models)	41R2507	N
Temp Sense Cable (165 mm) (all models)	43N9079	2
Fru-Cable, MINI,COM2 CABLE(ROHS) (all models)	41R6198	2

<b>9707 Keyboards (Lenovo Preferred Pro USB -- without hub)</b>	<b>FRU#</b>	<b>CRU Tier</b>
USB FULL--US English (models)	41A5289	1
USB FULL--Arabic (models)	41A5290	1
USB FULL--Arabic/French (models)	41A5291	1
USB FULL--Belgian/French (models)	41A5292	1
USB FULL--Belgium English (models)	41A5293	1
USB FULL--Brazilian Portuguese (models A2P A3P A4P )	41A5294	1
USB FULL--Bulgarian (models)	41A5295	1
USB FULL--Chinese/US (models)	41A5296	1
USB FULL--Czech (ABB) (models)	41A5297	1
USB FULL--Danish (models)	41A5298	1
USB FULL--Dutch (models)	41A5299	1
USB FULL--French (models)	41A5300	1
USB FULL--French Canadian (models)	41A5301	1
USB FULL--French Canadian (models)	41A5302	1
USB FULL--German (models)	41A5303	1
USB FULL--Greek (models)	41A5304	1
USB FULL--Greek/US (models)	41A5305	1
USB FULL--Hebrew (models)	41A5306	1
USB FULL--Hungarian (models)	41A5307	1
USB FULL--Iceland (models)	41A5308	1
USB FULL--Italy (models)	41A5309	1
USB FULL--Japanese (models A1J A5J A6J A7J A8J A9J)	41A5310	1
USB FULL--Korean (models)	41A5311	1
USB FULL--LA Spanish (models A2S A2D A2Y A3S A3D A3Y A4S A4D A4Y )	41A5312	1
USB FULL--Norwegian (models)	41A5313	1
USB FULL--Polish (models)	41A5314	1
USB FULL--Portugese (models)	41A5315	1
USB FULL--Romanian (models)	41A5317	1
USB FULL--Russian/Cyrillic (models)	41A5318	1
USB FULL--Serbian/Cyrillic (models)	41A5319	1
USB FULL--Slovak (models)	41A5320	1
USB FULL--Spanish (models)	41A5321	1
USB FULL--Swedish/Finnish (models)	41A5322	1
USB FULL--Swiss F/G (models)	41A5323	1
USB FULL--Thailand (models)	41A5324	1
USB FULL--Turkish (models)	41A5325	1
USB FULL--Turkish (models)	41A5326	1
USB FULL--UK English (models)	41A5327	1

<b>9707 Keyboards (Lenovo Preferred Pro USB -- without hub)</b>	<b>FRU#</b>	<b>CRU Tier</b>
USB FULL--US Euro (models)	41A5328	1
USB FULL--Slovenian (models)	41A5329	1

<b>9707 Keyboards (Lenovo Fingerprint Reader USB)</b>	<b>FRU#</b>	<b>CRU Tier</b>
US English (models)	41R0038	1
Arabic (models)	41R0039	1
Arabic/French (models)	41R0040	1
Belgian/French (models)	41R0041	1
Belgium English (models)	41R0042	1
Brazilian Portuguese (models)	41R0043	1
Bulgarian (models)	41R0044	1
Chinese/US (models)	41R0045	1
Czech (ABB) (models)	41R0046	1
Danish (models)	41R0047	1
Dutch (models)	41R0048	1
French (models)	41R0049	1
French Canadian (models)	41R0050	1
French Canadian (models)	41R0051	1
German (models)	41R0052	1
Greek (models)	41R0053	1
Greek/US (models)	41R0054	1
Hebrew (models)	41R0055	1
Hungarian (models)	41R0056	1
Iceland (models)	41R0057	1
Italy (models)	41R0058	1
Japanese (models)	41R0059	1
Korean (models)	41R0060	1
LA Spanish (models)	41R0061	1
Norwegian (models)	41R0062	1
Polish (models)	41R0063	1
Portuguese (models)	41R0064	1
Romanian (models)	41R0065	1
Romanian (models)	41R0066	1
Russian/Cyrillic (models)	41R0067	1
Serbian/Cyrillic (models)	41R0068	1
Slovak (models)	41R0069	1
Spanish (models)	41R0070	1
Swedish/Finnish (models)	41R0071	1

<b>9707 Keyboards (Lenovo Fingerprint Reader USB)</b>	<b>FRU#</b>	<b>CRU Tier</b>
Swiss F/G (models)	41R0072	1
Thailand (models)	41R0073	1
Turkish (models)	41R0074	1
Turkish (models)	41R0075	1
UK English (models)	41R0076	1
US Euro (models)	41R0077	1
Slovenian (models)	41R0078	1

<b>9707 Keyboards (Lenovo Preferred Pro PS/2 Full Size)</b>	<b>FRU#</b>	<b>CRU Tier</b>
PS/2 Full--US English (models)	41A5039	1
PS/2 Full--Arabic (models)	41A5040	1
PS/2 Full--Arabic/French (models)	41A5041	1
PS/2 Full--Belgian/French (models)	41A5042	1
PS/2 Full--Belgium English (models)	41A5043	1
PS/2 Full--Brazilian Portuguese (models)	41A5044	1
PS/2 Full--Bulgarian (models)	41A5045	1
PS/2 Full--Chinese/US (models)	41A5046	1
PS/2 Full--Czech (ABB) (models)	41A5047	1
PS/2 Full--Danish (models)	41A5048	1
PS/2 Full--Dutch (models)	41A5049	1
PS/2 Full--French (models)	41A5050	1
PS/2 Full--French Canadian (models)	41A5051	1
PS/2 Full--French Canadian (models)	41A5052	1
PS/2 Full--German (models)	41A5053	1
PS/2 Full--Greek (models)	41A5054	1
PS/2 Full--Greek/US (models)	41A5080	1
PS/2 Full--Hebrew (models)	41A5055	1
PS/2 Full--Hungarian (models)	41A5056	1
PS/2 Full--Iceland (models)	41A5057	1
PS/2 Full--Italy (models)	41A5058	1
PS/2 Full--Japanese (models)	41A5059	1
PS/2 Full--Korean (models)	41A5060	1
PS/2 Full--LA Spanish (models)	41A5061	1
PS/2 Full--Norwegian (models)	41A5062	1
PS/2 Full--Polish (models)	41A5063	1
PS/2 Full--Portugese (models)	41A5064	1
PS/2 Full--Romanian (models)	41A5065	1
PS/2 Full--Russian/Cyrillic (models)	41A5066	1

<b>9707 Keyboards (Lenovo Preferred Pro PS/2 Full Size)</b>	<b>FRU#</b>	<b>CRU Tier</b>
PS/2 Full--Serbian/Cyrillic (models)	41A5067	1
PS/2 Full--Slovak (models)	41A5068	1
PS/2 Full--Spanish (models)	41A5069	1
PS/2 Full--Swedish/Finnish (models)	41A5070	1
PS/2 Full--Swiss F/G (models)	41A5071	1
PS/2 Full--Thailand (models)	41A5072	1
PS/2 Full--Turkish (models)	41A5073	1
PS/2 Full--Turkish (models)	41A5074	1
PS/2 Full--UK English (models)	41A5075	1
PS/2 Full--US Euro (models)	41A5076	1
PS/2 Full--Slovenian (models)	41A5077	1

<b>9707 mice</b>	<b>FRU#</b>	<b>CRU</b>
Optical Wheel Mouse OPT (400DPI, USB) (models A1J A2S A2P A2D A2Y A3S A3P A3D A3Y A4S A4P A4D A4Y A5J A6J A7J A8J A9J)	41U3013	1
Optical Wheel Mouse OPT (400DPI, USB) (models A1J A2S A2P A2D A2Y A3S A3P A3D A3Y A4S A4P A4D A4Y A5J A6J A7J A8J A9J)	41U3030	1
PS/2 Three Button ball mouse scrollpoint (41R0017) (models)	41R0018	1

<b>9707 Adapters and miscellaneous FRUs</b>	<b>FRU#</b>	<b>CRU</b>
Internal USB Memory Card Reader floppy bay (models)	41R3378	2
Internal 20 in 1 USB Memory Card Reader (models CTO)	45R8139	1
NVIDIA GeForce 9300 GE 256M Low Profile (1*DVI) (Rockey) (models CTO)	53Y5823	2
ATI HD 2600XT 512MB 128BIT ATX (models)	43C0261	2
IEEE 1394 Firewire Adapter SFF (models)	41D2781	2
IEEE 1394 Firewire Adapter ATX (models)	41D2781	2
Soft Modem V.90/V.44 SFF (models)	29R9729	2
Soft Modem V.90/V.44 ATX (models)	29R9729	2
ATI HD 2400PRO 128MB 64BIT DMS59 LP (models)	43C0259	2
ATI HD 2400PRO 128MB 64BIT DMS59 ATX (models)	43C0259	2
ATI HD 2400XT 256MB 64BIT DMS59 LP Secondary (models)	64Y3997	2
Speaker Power brick - US, Canada, LA low voltage, ASEAN (models)	89P8571	1
Speaker Power brick - LA high voltage (non-APU) (models)	89P8575	1
Speaker Power brick - SIMPLIFIED -CHN, Thailand EMEA(models)	89P8581	1
Speaker Power brick - Japan (models A1J A5J A6J A7J A8J A9J)	89P8577	1
Speaker Power brick - Brazil (models)	89P8583	1
Speaker Power brick - Argentina (models)	41A4901	1
Speaker Power brick - ANZ (models)	89P8579	1
Speaker Power brick - Korean (models)	41A4903	1



<b>9707 Adapters and miscellaneous FRUs</b>	<b>FRU#</b>	<b>CRU</b>
Speaker Power brick - Hong Kong, EMEA (models)	89P8573	1
Speaker Power brick -TAIWAN-TC (models)	41A4905	1
Speaker Power brick - India, South Africa (models)	89P8585	1
Dongle DMS Dule DMS-59 to dual VGA Cable (models)	42Y8181	2
Dongle DMS Dule DMS-59 to dual DVI Cable (models)	41X6398	2
Dongle DMS Dule DMS-59 to single VGA & single DVI Cable (models)	42Y8183	2
2-pc external speaker--primary (models)	41A5331	1
2-pc external speaker-secondary (models)	41A5334	1
DVI-I(M)-VGA(F) cord (models CTO)	41R3342	2
Battery 3V- Lithium (models A1J A2S A2P A2D A2Y A3S A3P A3D A3Y A4S A4P A4D A4Y A5J A6J A7J A8J A9J)	45C1566	1
HD 3470 256M 64bit DP ATX/LP (models)	64Y4498	2
DP to DVI dongle (models)	43N9160	2
Bitland 88E8075 1000M PCIE DASH NIC FH (R)(Rocky) (models)	53Y4008	2
AMD Display Port card LP® (Rocky) (models)	53Y4002	1

<b>9707 Power Cords</b>	<b>FRU#</b>	<b>CRU</b>
Power cord - US (models A2S A2Y A3S A3Y A4S A4Y )	41R3184	1
Power cord - US (models A2S A2Y A3S A3Y A4S A4Y )	41R3185	1
Power cord - China (models)	41R3256	1
Power cord - China (models)	41R3257	1
Power cord - Japanese and Japanese English (models A1J A5J A6J A7J A8J A9J)	41R3248	1
Power cord - Japanese and Japanese English (models A1J A5J A6J A7J A8J A9J)	41R3249	1
Power cord - Brazil (Portigese) (models)	41R3270	1
Power cord - Brazil (Portigese) (models)	41R3271	1
Power cord - LA High Volt (APU) (models)	41R3176	1
Power cord - LA High Volt (APU) (models)	41R3177	1
Power cord - ANZ (models)	41R3196	1
Power cord - ANZ (models)	41R3197	1
Power cord - Korea (models)	41R3260	1
Power cord - Korea (models)	41R3261	1
Power cord - UK, Ireland, Singapore, Malaysia, Brunei, Hongkong (models)	41R3224	1
Power cord - UK, Ireland, Singapore, Malaysia, Brunei, Hongkong (models)	41R3225	1
Power cord - Taiwan (models)	41R3278	1
Power cord - Taiwan (models)	41R3279	1
Power cord - Italy (models)	41R3232	1
Power cord - Italy (models)	41R3233	1
Power cord - Indonesia, Laos, Cambodia, Vietnam, Austria, Belgium, Croatia, Czechoslovakia, Finland, France, Germany, Hungary, Netherlands, Norway, Poland, Portugal, Romania, Spain, Sweden (models A2S A2Y A3S A3Y A4S A4Y )	41R3208	1

<b>9707 Power Cords</b>	<b>FRU#</b>	<b>CRU</b>
Power cord - Indonesia, Laos, Cambodia, Vietnam, Austria, Belgium, Croatia, Czechoslovakia, Finland, France, Germany, Hungary, Netherlands, Norway, Poland, Portugal, Romania, Spain, Sweden (models A2S A2Y A3S A3Y A4S A4Y )	41R3209	1
Power cord - Denmark (models)	41R3212	1
Power cord - Denmark (models)	41R3213	1
Power cord - Switzerland (models)	41R3228	1
Power cord - Switzerland (models)	41R3229	1
Power cord - Israel (models)	41R3236	1
Power cord - Israel (models)	41R3237	1
Power cord - South Africa (models)	41R3220	1
Power cord - South Africa (models)	41R3221	1
Power cord - India (models)	41R3341	1
Power cord - India (models)	41R3175	1
Power cord - Thailand (models)	43N9029	1
Power cord - Thailand (models)	43N9030	1
Power cord - Brazil (models)	43N9044	1

<b>9707 Windows XP Home Recovery CDs</b>	<b>FRU#</b>	<b>CRU</b>
US English/UK/Asia Pacific (models)	TBD	1
French/French Canadian (models)	TBD	1
Greek (models)	TBD	1
Italy (models)	TBD	1
Brazilian (models)	TBD	1
Spanish/LA (models)	TBD	1
Danish (models)	TBD	1
Dutch (models)	TBD	1
Arabic (models)	TBD	1
SV (Swedish) (models)	TBD	1
Hebrew (models)	TBD	1
Finnish (models)	TBD	1
Norwegian (models)	TBD	1
Polish (models)	TBD	1
Portugese (models)	TBD	1
Russian (models)	TBD	1
Russian English (models)	TBD	1
Hungarian (models)	TBD	1
Czech (models)	TBD	1
Turkish native (models)	TBD	1
Greek (models)	TBD	1
Japanese (models)	TBD	1

<b>9707 Windows XP Home Recovery CDs</b>	<b>FRU#</b>	<b>CRU</b>
Simplified Chinese (models)	TBD	1
Taiwan-TC (models)	TBD	1
Hong Kong-TC (models)	TBD	1
Korean (models)	TBD	1

<b>9707 Windows XP Pro Recovery CDs</b>	<b>FRU#</b>	<b>CRU</b>
English (models)	64Y5588	1
Japanese (models)	64Y6202	1
Simplified Chinese (models)	64Y5590	1
Spanish (models)	64Y5591	1
French (models)	64Y5592	1
Italian (models)	64Y5593	1
Brazilian Portuguese (models)	64Y5594	1
German (models)	64Y5595	1
Hong Kong (models)	64Y5596	1
Swedish (models)	64Y5597	1
Danish (models)	64Y5598	1
Norway (models)	64Y5599	1
Finland (models)	64Y5600	1
Arabic (models)	64Y5601	1
Traditional Chinese (models)	64Y5602	1
Russian (models)	64Y5603	1
Polish (models)	64Y5604	1
Hebrew (models)	64Y5605	1
Korea (models)	64Y5606	1
Greek (models)	64Y5607	1
Turkish (models)	64Y5608	1
Dutch (models)	64Y5609	1
Slovenian (models)	64Y5610	1
Hungarian (models)	64Y5611	1
Czech (models)	64Y5612	1
Portuguese (models)	64Y5613	1
Russian English (models)	64Y5614	1
MUI Nordics (EN-DK-FI-NO-SV) (models CTO)	71Y6401	1
MUI Switz (EN-FR-GR-IT) (models CTO)	71Y6402	1
MUI Bel-Lux (EN-FR-GR-NL) (models CTO)	71Y6403	1

<b>9707 Vista Home Basic 32 Recovery CDs</b>	<b>FRU#</b>	<b>CRU</b>
US English (models)	46R8053	1
French (models)	46R8057	1
German (models)	46R8060	1
Spanish (models)	46R8056	1
Brazilian (models)	46R8059	1
Italian (models)	46R8058	1
Japanese (models)	64Y6207	1
Dutch (models)	46R8070	1
Czech (models)	46R8074	1
Polish (models)	46R8065	1
Russian (models)	46R8064	1
Turkish (models)	46R8069	1
Hungarian (models)	46R8073	1
Greek (models)	46R8068	1
Portuguese (models)	46R8077	1
Hong Kong (models)	46R8061	1
Traditional Chinese (models)	46R8063	1
Korean (models)	46R8067	1
Slovenian (models)	46R8071	1
Russian English (models)	46R8078	1
Hebrew (models)	46R8066	1
Arabic Localized (models)	46R8062	1
Slovakian (models)	46R8075	1
Simplified Chinese (models)	46R8055	1
Serbian-Latin (models)	46R8076	1
Romanian (models)	46R8072	1
Belgium-Luxembourg (models)	53Y4230	1
Switzerland (models)	53Y4231	1
Nordics (models)	53Y4232	1

<b>9707 Vista Business 32 Recovery CDs</b>	<b>FRU#</b>	<b>CRU</b>
US English (models)	46R8079	1
French (models)	46R8083	1
German (models)	46R8086	1
Spanish (models)	46R8082	1
Brazilian (models)	46R8085	1
Italian (models)	46R8084	1
Japanese (models A1J A5J A6J A7J A8J A9J)	64Y6205	1
English for Indian (models)	64Y9435	1

<b>9707 Vista Business 32 Recovery CDs</b>	<b>FRU#</b>	<b>CRU</b>
Dutch (models)	46R8096	1
Czech (models)	46R8100	1
Polish (models)	46R8091	1
Russian (models)	46R8090	1
Turkish (models)	46R8095	1
Hungarian (models)	46R8099	1
Greek (models)	46R8094	1
Portuguese (models)	46R8103	1
Simplified Chinese (models)	46R8081	1
Hong Kong (models)	46R8087	1
Traditional Chinese (models)	46R8089	1
Korean (models)	46R8093	1
Slovenian (models)	46R8097	1
Russian English (models)	46R8104	1
Romanian (models)	46R8098	1
Sebian-Latin (models)	46R8102	1
Hebrew (models)	46R8092	1
Arabic Localized (models)	46R8088	1
Slovakian (models)	46R8101	1
Belgium-Luxembourg (models)	53Y4233	1
Switzerland (models)	53Y4234	1
Nordics (models)	53Y4235	1

<b>9707 Vista Premium 32 Recovery CDs</b>	<b>FRU#</b>	<b>CRU</b>
US English (models)	46R8141	1
French (models)	46R8143	1
German (models)	46R8144	1
Spanish (models)	46R8145	1
Italian (models)	46R8146	1
Japanese (models)	64Y6208	1
Hong Kong (models)	46R8147	1
Korean (models)	46R8148	1
Athens Vista SP1 MUL 1 P/N's VHP32 (EN FR GR NL) (models)	53Y4236	1
Athens Vista SP1 MUL 2 P/N's VHP32 (EN FR GR IT) (models)	53Y4237	1
Athens Vista SP1 MUL 3P/N's VHP32 (EN DK FI NO SV) (models)	53Y4238	1

<b>9707 Vista Business 64 Recovery CDs</b>	<b>FRU#</b>	<b>CRU</b>
US English (models)	46R8131	1
French (models)	46R8134	1

<b>9707 Vista Business 64 Recovery CDs</b>	<b>FRU#</b>	<b>CRU</b>
German (models)	46R8135	1
Japanese (models)	64Y6210	1
Simplified Chinese (models)	46R8133	1

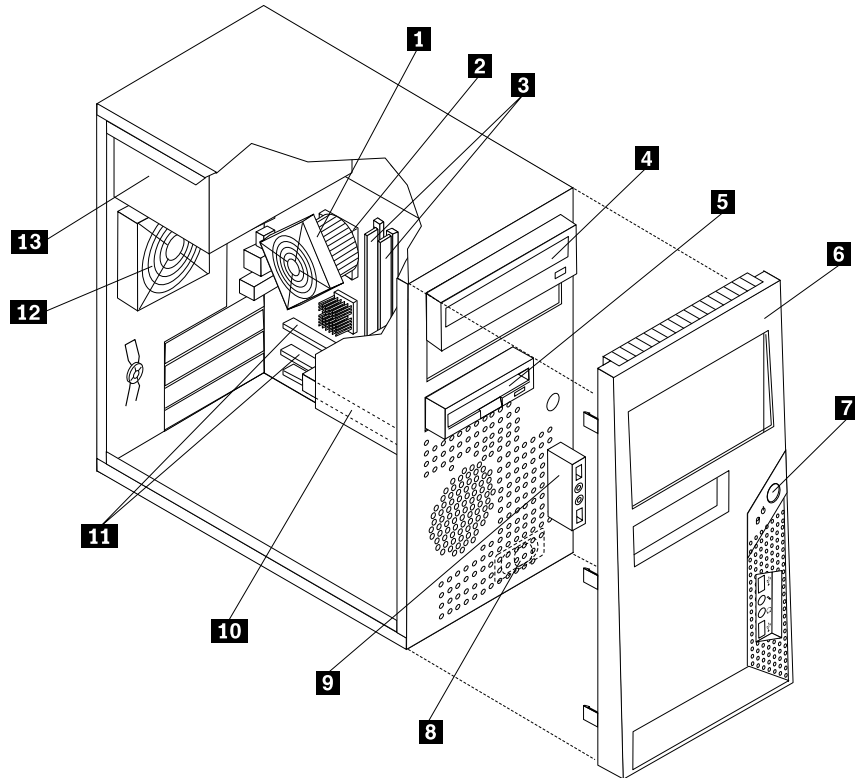
<b>9707 Vista Ultimate 32 Recovery CDs</b>	<b>FRU#</b>	<b>CRU</b>
US English (models)	46R8149	1
Japanese (models)	64Y6209	1
French (models)	46R8151	1
German (models)	46R8152	1
Spanish (models)	46R8153	1
Italian (models)	46R8154	1
Hong Kong (models)	46R8155	1
Arabic Localized (models)	46R8156	1
Athens Vista SP1 MUL 1 P/N's VU32 (EN DK FI NO SV) (models)	53Y4239	1

<b>9707 Vista Starter 32 Recovery CDs</b>	<b>FRU#</b>	<b>CRU</b>
English (models)	46R8052	1

<b>9707 Vista Home Premium 64 Recovery CDs</b>	<b>FRU#</b>	<b>CRU</b>
US (models)	71Y6634	1
French (models)	71Y6635	1

<b>9707 Win7 Professional 32</b>	<b>FRU#</b>	<b>CRU</b>
Brazilian Portuguese (all models)	89Y0454	1

## Machine Type 9795



Item #	9795 FRUs	FRU#	CRU
1	AMD 89W&65W 4Pin heatsink (all models)	41R6407	2
2	Microprocessor, Athlon64 4800+ X2 (2.50GHz, 1M L2, 65W) G1 65nm (models)	43C4093	N
2	Microprocessor, Athlon64 5000+ X2 (2.60GHz, 1M L2, 65W) G1 65nm (models)	41X1427	N
2	Microprocessor, Athlon 1640B (2.70GHz, 512K L2, 45W) G2 65nm (models)	45R6488	N
2	Microprocessor, Athlon64 5200+ X2 (2.70GHz, 1M L2, 65W) G1 65nm (models)	45C7502	N
2	Microprocessor, Athlon64 5400B X2(2.80GHz, 1M L2, 65W) G2 65nm (models)	45R6486	N
2	Microprocessor, Athlon64 5600+ X2 (2.90GHz, 1M L2, 89W) G2 65nm (models)	45C7504	N
2	Microprocessor, Athlon BE-2350 X2 (2.10GHz, 1M L2, 45W) G2 65nm (models)	43C6166	N
2	Microprocessor, Athlon BE-2400 X2 (2.30GHz, 1M L2, 45W) G2 65nm (models)	43C6165	N
2	Microprocessor, Athlon 4450B X2 (2.30GHz, 1M L2, 45W) G2 65nm (models)	46R3624	N
2	Microprocessor, Athlon 5000B X2 (2.60GHz, 1M L2, 65W) G2 65nm (models)	46R3625	N
2	Microprocessor, Athlon 5200B X2 (2.70GHz, 1M L2, 65W) G2 65nm (models)	46R3626	N
2	Microprocessor, Athlon LE-1660 (2.8 GHz, 512K L2, 45W) G2 65nm (models CTO)	53Y7722	N
2	Microprocessor, Athlon X2 5600B (2.9 GHz, 1M L2, 65W) G2 65nm (models CTO)	53Y7718	N
2	Microprocessor, Athlon64 X2 6000+ (3.1 GHz, 1M L2, 89W) G2 65nm (models CTO)	53Y7720	N
2	Microprocessor, Sempron LE-1250 (2.20GHz, 512K L2, 45W) G2 65nm (models)	43C6168	N
2	Microprocessor, Sempron LE-1300 (2.30GHz, 512K L2, 45W) G2 65nm (models)	43C8986	N

Item #	9795 FRUs	FRU#	CRU
2	Microprocessor, Sempron 2100 X2 (1.80GHz, 512K L2, 65W) G2 65nm (models)	46R3629	N
2	Microprocessor, Sempron 2200 X2 (2.00GHz, 512K L2, 65W) G2 65nm (models)	46R3630	N
2	Microprocessor, Sempron X2 2300 (2.2GHz, 512K L2, 65W) G2 65nm (models CTO)	53Y7724	N
2	Microprocessor, Sempron 140 (2.7GHz, 1M Total Cache, AM3, 45W) C2 45nm (models 91Z)	71Y6414	N
2	Microprocessor, Phenom 8600B (2.30GHz, 1.5M L2, 2M L3, 95W) stepping B2 65nm (models)	45R6494	N
2	Microprocessor, Phenom 9550 (2.20GHz, 2M L2, 2M L3, 95W) stepping B3 65nm (models)	45R6496	N
2	Microprocessor, Athlon II X2 240 (2.8GHz, 2M Total Cache, AM3, 65W) C2 45nm (models 91Z)	64Y8012	N
2	Microprocessor, Athlon II X2 245 (2.9GHz, 2M Total Cache, AM3, 65W) C2 45nm (models 91Z)	64Y8013	N
2	Microprocessor, Athlon II X3 435 (2.9GHz, 1.5M Total Cache, AM3, 95W) C2 45nm (models 91Z)	64Y8020	N
2	Microprocessor, Phenom II X2 550 (3.1GHz, 7M Total Cache, AM3, 80W) C2 45nm (models 91Z)	64Y8024	N
2	Microprocessor, Phenom II X2 555 (3.2 GHz, 7M Total Cache, AM3, 80W) C3 45nm (models 91Z)	89Y0793	N
2	Microprocessor, Phenom II X3 720 (2.8GHz, 7.5M Total Cache, AM3, 95W) C2 45nm (models 91Z)	64Y8030	N
2	Microprocessor, Phenom II X4 910 (2.6GHz, 8M Total Cache, AM3, 95W) C2 45nm (models 91Z)	64Y8035	N
2	Microprocessor, Phenom 9650 (2.30GHz, 2M L2, 2M L3, 95W) stepping B3 65nm (models)	45R6498	N
2	Microprocessor, Phenom 9600B (2.30GHz, 2M L2, 2M L3, 95W) stepping B2 65nm (models)	45R6500	N
2	Microprocessor, Phenom 8450 (2.10GHz, 1.5M L2, 2M L3, 95W) B3 65nm (models)	45R6490	N
2	Microprocessor, Phenom X3 8600B (2.3GHz, 1.5M L2, 2M L3, 95W) B3 65nm (models)	45R6494	N
2	Microprocessor, Phenom 9550 (2.20GHz, 2M L2, 2M L3, 95W) stepping B3 65nm (models CTO)	53Y7709	N
2	Microprocessor, Phenom X4 9750B (2.4 GHz, 512K / 2M L2, 95W) B3 65nm (models CTO)	53Y7711	N
3	Memory module, 512MB PC2-5300 (667MHz) DDR2 SDRAM (models)	41X4255	2
3	Memory module, 512MB PC2-6400 (800MHz) DDR2 SDRAM (models)	41X1079	2
3	Memory module, 1GB PC2-6400 (667MHz) DDR2 SDRAM (models)	41X1080	2
3	Memory module, 2GB PC2-6400 (667MHz) DDR2 SDRAM (models)	41X1081	2
4	DVD-ROM Drive - 16x/48x - SATA Vista & non-Vista (models)	41N3325	2
4	DVD Recordable/CD-RW Rambo 8 - SATA Vista & non-Vista (models)	43C1042	2
4	DVD-ROM Drive - 16x/48x - With DVD playback software (models)	71Y5543	2
4	DVD-RW/CD-RW Rambo 8 - With write software (models)	71Y5545	2
5	Diskette drive, 3.5" 1.44MB 2 Mode FDD with Bezel and cable (models)	40Y9105	2
5	Diskette drive, 3.5" 1.44MB 2 Mode FDD with Bezel and cable (models)	40Y9107	2



Item #	9795 FRUs	FRU#	CRU
6	Bezel assembly, without IBM mark (all models)	41R6243	2
7	Power switch/LED assembly (all models)	41N5284	2
8	Speaker assembly, soldered terminals (all models)	39P5023	2
9	Front audio/USB assembly (all models)	41N8054	2
10	Hard disk drive, SATA 80GB 7200RPM/3Gb/8MB (models)	40Y9034	2
10	Hard disk drive, SATA 160GB 7200RPM/3Gb/8MB (models)	40Y9035	2
10	Hard disk drive, SATA 160GB 7200RPM/3Gb/8MB (models)	53Y6837	2
10	Hard disk drive, SATA 250GB 7200RPM/3Gb/8MB (models)	45K0408	2
10	Hard disk drive, SATA 320GB 7200rpm SATA/8MB (models)	45K0409	2
10	Hard disk drive, SATA 500GB 7200RPM/3Gb/s/8MB (models)	45K0410	2
10	Hard disk drive, SATA 250GB 7200RPM/3Gb/8MB (models)	40Y9036	2
10	Hard disk drive, SATA 320GB 7200rpm SATA/8MB (models)	87H4891	2
10	Hard disk drive, SATA 500GB 7200RPM/3Gb/s/8MB (models)	41X5582	2
11	System board, Planar AMD RS780 mATX (TOWER & ROCKYS) (models)	71Y5724	N
11	System board, Planar AMD RS780 mATX GA Level - TPM Disable for Russia (models)	71Y4994	N
11	System board, Planar AMD RS780 mATX GA Level - Support Phenom II X2 555 (models 91Z)	89Y1346	N
11	System board, Planar AMD RS780 mATX GA Level -Support Win7 and AM3 C2 CPU (models 91Z)	89Y1809	N
12	System fan, rear (all models)	41R6269	2
12	System fan, rear (all models)	43N9908	2
13	Power supply, ATX 280W (Robust, WW) (models)	41A9684	2
13	Power supply, ATX 280W 80% (Robust, WW, JP) (models)	41A9665	2
13	Power supply, ATX 310W (Robust, WW, JP) (models)	41A9726	2
13	Power supply, 220W (Robust, WW) (models)	41A9689	N
13	Power supply, 220W only for JP (models)	41A9697	N
13	Power supply, 220W 80% (Robust, WW, JP) (models)	41A9670	N
13	Power supply, 280W TFX ,Active PFC, (Robust, WW, JP) (models)	41A9705	N

The FRUs listed in the following tables are not illustrated.

9795 FRUs	FRU#	CRU
Cover (all models)	41N8050	2
Retainer, Card Reader (all models)	41R2913	2
Front Fan AVC (all models)	41R4791	2
HDD Tray (all models)	41R6291	2
FDD cable, 325mm, (all models)	41A7182	2
Cabel -SATA 457mm (RoHS) (all models)	43N9013	2
Cabel-SATA 250mm (RoHS) (all models)	43N9012	2

<b>9795 FRUs</b>	<b>FRU#</b>	<b>CRU</b>
Optional HDD Bracket Asm (all models)	41R6106	2
EMC Shield (all models)	41N8080	2
EMC Shield (all models)	41N8078	2
Rear IO shield ATX,for RX 780,Atlantic (all models)	41R6383	N
Intrusion Switch Asm (all models)	41R6116	2
Temp Sense cable for Armstrong (460 mm) (all models)	41R2509	2
Blank 5.25" Bezel (all models)	41N8077	2
Asm Chassis Without IBM Mark Atlantic (all models)	41R6408	5
ODD/FDD/Cardreader Retainers (all models)	43N9351	2
AMD thermal KIT (all models)	41R6407	2
Cable Clip, FW-6D (all models)	43N9462	2
Fru,Tamdhu chassis primary HDD cage (all models)	45K6272	2

<b>9795 Keyboards (Lenovo Preferred Pro USB -- without hub)</b>	<b>FRU#</b>	<b>CRU Tier</b>
USB FULL--US English (models)	41A5289	1
USB FULL--Arabic (models)	41A5290	1
USB FULL--Arabic/French (models)	41A5291	1
USB FULL--Belgian/French (models)	41A5292	1
USB FULL--Belgium English (models)	41A5293	1
USB FULL--Brazilian Portuguese (models)	41A5294	1
USB FULL--Bulgarian (models)	41A5295	1
USB FULL--Chinese/US (models)	41A5296	1
USB FULL--Czech (ABB) (models)	41A5297	1
USB FULL--Danish (models)	41A5298	1
USB FULL--Dutch (models)	41A5299	1
USB FULL--French (models)	41A5300	1
USB FULL--French Canadian (models)	41A5301	1
USB FULL--French Canadian (models)	41A5302	1
USB FULL--German (models)	41A5303	1
USB FULL--Greek (models)	41A5304	1
USB FULL--Greek/US (models)	41A5305	1
USB FULL--Hebrew (models)	41A5306	1
USB FULL--Hungarian (models)	41A5307	1
USB FULL--Iceland (models)	41A5308	1
USB FULL--Italy (models)	41A5309	1
USB FULL--Japanese (models)	41A5310	1
USB FULL--Korean (models)	41A5311	1
USB FULL--LA Spanish (models)	41A5312	1

<b>9795 Keyboards (Lenovo Preferred Pro USB -- without hub)</b>	<b>FRU#</b>	<b>CRU Tier</b>
USB FULL--Norwegian (models)	41A5313	1
USB FULL--Polish (models)	41A5314	1
USB FULL--Portugese (models)	41A5315	1
USB FULL--Romanian (models)	41A5317	1
USB FULL--Russian/Cyrillic (models)	41A5318	1
USB FULL--Serbian/Cyrillic (models)	41A5319	1
USB FULL--Slovak (models)	41A5320	1
USB FULL--Spanish (models)	41A5321	1
USB FULL--Swedish/Finnish (models)	41A5322	1
USB FULL--Swiss F/G (models)	41A5323	1
USB FULL--Thailand (models)	41A5324	1
USB FULL--Turkish (models)	41A5325	1
USB FULL--Turkish (models)	41A5326	1
USB FULL--UK English (models)	41A5327	1
USB FULL--US Euro (models)	41A5328	1
USB FULL--Slovenian (models)	41A5329	1

<b>9795 Keyboards (Lenovo Fingerprint Reader USB)</b>	<b>FRU#</b>	<b>CRU Tier</b>
US English (models)	41R0038	1
Arabic (models)	41R0039	1
Arabic/French (models)	41R0040	1
Belgian/French (models)	41R0041	1
Belgium English (models)	41R0042	1
Brazilian Portuguese (models)	41R0043	1
Bulgarian (models)	41R0044	1
Chinese/US (models)	41R0045	1
Czech (ABB) (models)	41R0046	1
Danish (models)	41R0047	1
Dutch (models)	41R0048	1
French (models)	41R0049	1
French Canadian (models)	41R0050	1
French Canadian (models)	41R0051	1
German (models)	41R0052	1
Greek (models)	41R0053	1
Greek/US (models)	41R0054	1
Hebrew (models)	41R0055	1
Hungarian (models)	41R0056	1
Iceland (models)	41R0057	1

<b>9795 Keyboards (Lenovo Fingerprint Reader USB)</b>	<b>FRU#</b>	<b>CRU Tier</b>
Italy (models)	41R0058	1
Japanese (models)	41R0059	1
Korean (models)	41R0060	1
LA Spanish (models)	41R0061	1
Norwegian (models)	41R0062	1
Polish (models)	41R0063	1
Portuguese (models)	41R0064	1
Romanian (models)	41R0065	1
Romanian (models)	41R0066	1
Russian/Cyrillic (models)	41R0067	1
Serbian/Cyrillic (models)	41R0068	1
Slovak (models)	41R0069	1
Spanish (models)	41R0070	1
Swedish/Finnish (models)	41R0071	1
Swiss F/G (models)	41R0072	1
Thailand (models)	41R0073	1
Turkish (models)	41R0074	1
Turkish (models)	41R0075	1
UK English (models)	41R0076	1
US Euro (models)	41R0077	1
Slovenian (models)	41R0078	1

<b>9795 Keyboards (Lenovo Preferred Pro PS/2 Full Size)</b>	<b>FRU#</b>	<b>CRU Tier</b>
PS/2 Full--US English (models)	41A5039	1
PS/2 Full--Arabic (models)	41A5040	1
PS/2 Full--Arabic/French (models)	41A5041	1
PS/2 Full--Belgian/French (models)	41A5042	1
PS/2 Full--Belgium English (models)	41A5043	1
PS/2 Full--Brazilian Portuguese (models)	41A5044	1
PS/2 Full--Bulgarian (models)	41A5045	1
PS/2 Full--Chinese/US (models)	41A5046	1
PS/2 Full--Czech (ABB) (models)	41A5047	1
PS/2 Full--Danish (models)	41A5048	1
PS/2 Full--Dutch (models)	41A5049	1
PS/2 Full--French (models)	41A5050	1
PS/2 Full--French Canadian (models)	41A5051	1
PS/2 Full--French Canadian (models)	41A5052	1
PS/2 Full--German (models)	41A5053	1

<b>9795 Keyboards (Lenovo Preferred Pro PS/2 Full Size)</b>	<b>FRU#</b>	<b>CRU Tier</b>
PS/2 Full--Greek (models)	41A5054	1
PS/2 Full--Greek/US (models)	41A5080	1
PS/2 Full--Hebrew (models)	41A5055	1
PS/2 Full--Hungarian (models)	41A5056	1
PS/2 Full--Iceland (models)	41A5057	1
PS/2 Full--Italy (models)	41A5058	1
PS/2 Full--Japanese (models)	41A5059	1
PS/2 Full--Korean (models)	41A5060	1
PS/2 Full--LA Spanish (models)	41A5061	1
PS/2 Full--Norwegian (models)	41A5062	1
PS/2 Full--Polish (models)	41A5063	1
PS/2 Full--Portugese (models)	41A5064	1
PS/2 Full--Romanian (models)	41A5065	1
PS/2 Full--Russian/Cyrillic (models)	41A5066	1
PS/2 Full--Serbian/Cyrillic (models)	41A5067	1
PS/2 Full--Slovak (models)	41A5068	1
PS/2 Full--Spanish (models)	41A5069	1
PS/2 Full--Swedish/Finnish (models)	41A5070	1
PS/2 Full--Swiss F/G (models)	41A5071	1
PS/2 Full--Thailand (models)	41A5072	1
PS/2 Full--Turkish (models)	41A5073	1
PS/2 Full--Turkish (models)	41A5074	1
PS/2 Full--UK English (models)	41A5075	1
PS/2 Full--US Euro (models)	41A5076	1
PS/2 Full--Slovenian (models)	41A5077	1

<b>9795 mice</b>	<b>FRU#</b>	<b>CRU</b>
Optical Wheel Mouse (400DPI, USB) (models)	41U3013	1
Optical Wheel Mouse (400DPI, USB) (models)	41U3030	1
PS/2 Three Button ball mouse (41R0017) (models)	41R0018	1

<b>9795 Adapters and miscellaneous FRUs</b>	<b>FRU#</b>	<b>CRU</b>
Internal USB Memory Card Reader floppy bay (models)	41R3378	2
Internal 20 in 1 USB Memory Card Reader (models)	45R8139	1
NVIDIA GeForce 9300 GE 256M Full Height (DVI+VGA) (TOWER) (models CTO)	45R5494	2
ATI HD 2600XT 512MB 128BIT ATX (models)	43C0261	2
IEEE 1394 Firewire Adapter SFF (models)	41D2781	2
IEEE 1394 Firewire Adapter ATX (models)	41D2781	2

<b>9795 Adapters and miscellaneous FRUs</b>	<b>FRU#</b>	<b>CRU</b>
Soft Modem V.90/V.44 SFF (models)	29R9729	2
Soft Modem V.90/V.44 ATX (models)	29R9729	2
ATI HD 2400PRO 128MB 64BIT DMS59 ATX (models)	43C0259	2
ATI HD 2400XT 256MB 64BIT DMS59 ATX Secondary (models)	46R4160	2
Speaker Power brick - US, Canada, LA low voltage, ASEAN (models)	89P8571	1
Speaker Power brick - LA high voltage (non-APU) (models)	89P8575	1
Speaker Power brick - SIMPLIFIED -CHN, Thailand EMEA(models)	89P8581	1
Speaker Power brick - Japan (models)	89P8577	1
Speaker Power brick - Brazil (models)	89P8583	1
Speaker Power brick - Argentina (models)	41A4901	1
Speaker Power brick - ANZ (models)	89P8579	1
Speaker Power brick - Korean (models)	41A4903	1
Speaker Power brick - Hong Kong, EMEA (models)	89P8573	1
Speaker Power brick -TAIWAN-TC (models)	41A4905	1
Speaker Power brick - India, South Africa (models)	89P8585	1
Dongle DMS Dule DMS-59 to dual VGA Cable (models)	42Y8181	2
Dongle DMS Dule DMS-59 to dual DVI Cable (models)	41X6398	2
Dongle DMS Dule DMS-59 to single VGA & single DVI Cable (models)	42Y8183	2
2-pc external speaker--primary (models)	41A5331	1
2-pc external speaker-secondary (models)	41A5334	1
DVI-I(M)-VGA(F) cord (models)	41R3342	2
Battery 3V- Lithium (models)	45C1566	1
HD 3470 256M 64bit DP ATX/LP (models)	46R1521	2
DP to DVI dongle (models)	43N9160	2
Bitland 88E8075 1000M PCIE DASH NIC FH (R)(Rocky) (models)	53Y4008	2
AMD Display Port card LP® (Rocky) (models)	53Y4002	1

<b>9795 Power Cords</b>	<b>FRU#</b>	<b>CRU</b>
Power cord - US (models)	41R3184	1
Power cord - US (models)	41R3185	1
Power cord - China (models)	41R3256	1
Power cord - China (models)	41R3257	1
Power cord - Japanese and Japanese English (models)	41R3248	1
Power cord - Japanese and Japanese English (models)	41R3249	1
Power cord - Brazil (Portigese) (models)	41R3270	1
Power cord - Brazil (Portigese) (models)	41R3271	1
Power cord - LA High Volt (APU) (models)	41R3176	1
Power cord - LA High Volt (APU) (models)	41R3177	1
Power cord - ANZ (models)	41R3196	1

<b>9795 Power Cords</b>	<b>FRU#</b>	<b>CRU</b>
Power cord - ANZ (models)	41R3197	1
Power cord - Korea (models)	41R3260	1
Power cord - Korea (models)	41R3261	1
Power cord - UK, Ireland, Singapore, Malaysia, Brunei, Hongkong (models)	41R3224	1
Power cord - UK, Ireland, Singapore, Malaysia, Brunei, Hongkong (models)	41R3225	1
Power cord - Taiwan (models)	41R3278	1
Power cord - Taiwan (models)	41R3279	1
Power cord - Italy (models)	41R3232	1
Power cord - Italy (models)	41R3233	1
Power cord - Indonesia, Laos, Cambodia, Vietnam, Austria, Belgium, Croatia, Czechoslovakia, Finland, France, Germany, Hungary, Netherlands, Norway, Poland, Portugal, Romania, Spain, Sweden (models)	41R3208	1
Power cord - Indonesia, Laos, Cambodia, Vietnam, Austria, Belgium, Croatia, Czechoslovakia, Finland, France, Germany, Hungary, Netherlands, Norway, Poland, Portugal, Romania, Spain, Sweden (models)	41R3209	1
Power cord - Denmark (models)	41R3212	1
Power cord - Denmark (models)	41R3213	1
Power cord - Switzerland (models)	41R3228	1
Power cord - Switzerland (models)	41R3229	1
Power cord - Israel (models)	41R3236	1
Power cord - Israel (models)	41R3237	1
Power cord - South Africa (models)	41R3220	1
Power cord - South Africa (models)	41R3221	1
Power cord - India (models)	41R3341	1
Power cord - India (models)	41R3175	1
Power cord - Thailand (models)	43N9029	1
Power cord - Thailand (models)	43N9030	1
Power cord - Brazil (models)	43N9044	1

<b>9795 Windows XP Home Recovery CDs</b>	<b>FRU#</b>	<b>CRU</b>
US English/UK/Asia Pacific (models)	TBD	1
French/French Canadian (models)	TBD	1
Greek (models)	TBD	1
Italy (models)	TBD	1
Brazilian (models)	TBD	1
Spanish/LA (models)	TBD	1
Danish (models)	TBD	1
Dutch (models)	TBD	1
Arabic (models)	TBD	1
SV (Swedish) (models)	TBD	1

<b>9795 Windows XP Home Recovery CDs</b>	<b>FRU#</b>	<b>CRU</b>
Hebrew (models)	TBD	1
Finnish (models)	TBD	1
Norwegian (models)	TBD	1
Polish (models)	TBD	1
Portugese (models)	TBD	1
Russian (models)	TBD	1
Russian English (models)	TBD	1
Hungarian (models)	TBD	1
Czech (models)	TBD	1
Turkish native (models)	TBD	1
Greek (models)	TBD	1
Japanese (models)	TBD	1
Simplified Chinese (models)	TBD	1
Taiwan-TC (models)	TBD	1
Hong Kong-TC (models)	TBD	1
Korean (models)	TBD	1

<b>9795 Windows XP Pro Recovery CDs</b>	<b>FRU#</b>	<b>CRU</b>
English (models)	64Y5588	1
Japanese (models)	64Y6202	1
Simplified Chinese (models)	64Y5590	1
Spanish (models)	64Y5591	1
French (models)	64Y5592	1
Italian (models)	64Y5593	1
Brazilian Portuguese (models)	64Y5594	1
German (models)	64Y5595	1
Hong Kong (models)	64Y5596	1
Swedish (models)	64Y5597	1
Danish (models)	64Y5598	1
Norway (models)	64Y5599	1
Finland (models)	64Y5600	1
Arabic (models)	64Y5601	1
Traditional Chinese (models)	64Y5602	1
Russian (models)	64Y5603	1
Polish (models)	64Y5604	1
Hebrew (models)	64Y5605	1
Korea (models)	64Y5606	1
Greek (models)	64Y5607	1
Turkish (models)	64Y5608	1



<b>9795 Windows XP Pro Recovery CDs</b>	<b>FRU#</b>	<b>CRU</b>
Dutch (models)	64Y5609	1
Slovenian (models)	64Y5610	1
Hungarian (models)	64Y5611	1
Czech (models)	64Y5612	1
Portuguese (models)	64Y5613	1
Russian English (models)	64Y5614	1
MUI Nordics (EN-DK-FI-NO-SV) (models CTO)	71Y6401	1
MUI Switz (EN-FR-GR-IT) (models CTO)	71Y6402	1
MUI Bel-Lux (EN-FR-GR-NL) (models CTO)	71Y6403	1

<b>9795 Vista Home Basic 32 Recovery CDs</b>	<b>FRU#</b>	<b>CRU</b>
US English (models)	46R8053	1
French (models)	46R8057	1
German (models)	46R8060	1
Spanish (models)	46R8056	1
Brazilian (models)	46R8059	1
Italian (models)	46R8058	1
Japanese (models)	64Y6207	1
Dutch (models)	46R8070	1
Czech (models)	46R8074	1
Polish (models)	46R8065	1
Russian (models)	46R8064	1
Turkish (models)	46R8069	1
Hungarian (models)	46R8073	1
Greek (models)	46R8068	1
Portuguese (models)	46R8077	1
Hong Kong (models)	46R8061	1
Traditional Chinese (models)	46R8063	1
Korean (models)	46R8067	1
Slovenian (models)	46R8071	1
Russian English (models)	46R8078	1
Hebrew (models)	46R8066	1
Arabic Localized (models)	46R8062	1
Slovakian (models)	46R8075	1
Simplified Chinese (models)	46R8055	1
Serbian-Latin (models)	46R8076	1
Romanian (models)	46R8072	1
Belgium-Luxembourg (models)	53Y4230	1

<b>9795 Vista Home Basic 32 Recovery CDs</b>	<b>FRU#</b>	<b>CRU</b>
Switzerland (models)	53Y4231	1
Nordics (models)	53Y4232	1

<b>9795 Vista Business 32 Recovery CDs</b>	<b>FRU#</b>	<b>CRU</b>
US English (models)	46R8079	1
French (models)	46R8083	1
German (models)	46R8086	1
Spanish (models)	46R8082	1
Brazilian (models)	46R8085	1
Italian (models)	46R8084	1
Japanese (models)	64Y6205	1
English for Indian (models)	64Y9435	1
Dutch (models)	46R8096	1
Czech (models)	46R8100	1
Polish (models)	46R8091	1
Russian (models)	46R8090	1
Turkish (models)	46R8095	1
Hungarian (models)	46R8099	1
Greek (models)	46R8094	1
Portuguese (models)	46R8103	1
Simplified Chinese (models)	46R8081	1
Hong Kong (models)	46R8087	1
Traditional Chinese (models)	46R8089	1
Korean (models)	46R8093	1
Slovenian (models)	46R8097	1
Russian English (models)	46R8104	1
Romanian (models)	46R8098	1
Sebian-Latin (models)	46R8102	1
Hebrew (models)	46R8092	1
Arabic Localized (models)	46R8088	1
Slovakian (models)	46R8101	1
Belgium-Luxembourg (models)	53Y4233	1
Switzerland (models)	53Y4234	1
Nordics (models)	53Y4235	1

<b>9795 Vista Premium 32 Recovery CDs</b>	<b>FRU#</b>	<b>CRU</b>
US English (models)	46R8141	1
French (models)	46R8143	1
German (models)	46R8144	1

<b>9795 Vista Premium 32 Recovery CDs</b>	<b>FRU#</b>	<b>CRU</b>
Spanish (models)	46R8145	1
Italian (models)	46R8146	1
Japanese (models)	64Y6208	1
Hong Kong (models)	46R8147	1
Korean (models)	46R8148	1
Athens Vista SP1 MUL 1 P/N's VHP32 (EN FR GR NL) (models)	53Y4236	1
Athens Vista SP1 MUL 2 P/N's VHP32 (EN FR GR IT) (models)	53Y4237	1
Athens Vista SP1 MUL 3P/N's VHP32 (EN DK FI NO SV) (models)	53Y4238	1

<b>9795 Vista Business 64 Recovery CDs</b>	<b>FRU#</b>	<b>CRU</b>
US English (models)	46R8131	1
French (models)	46R8134	1
German (models)	46R8135	1
Japanese (models)	64Y6210	1
Simplified Chinese (models)	46R8133	1

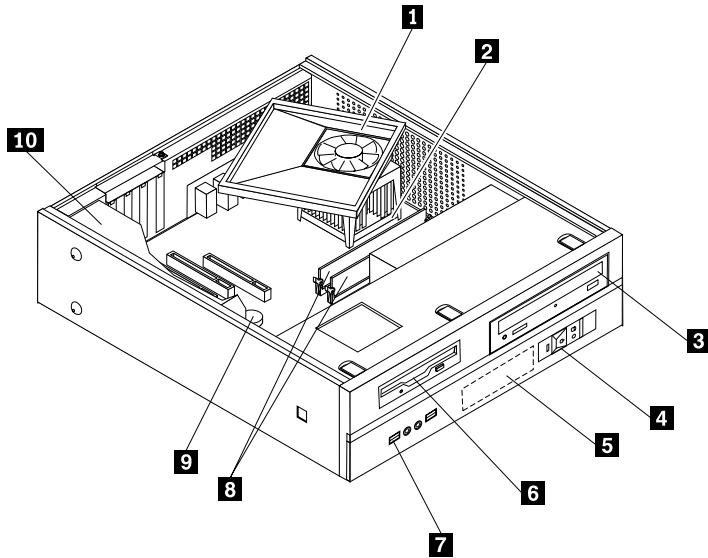
<b>9795 Vista Ultimate 32 Recovery CDs</b>	<b>FRU#</b>	<b>CRU</b>
US English (models)	46R8149	1
Japanese (models)	64Y6209	1
French (models)	46R8151	1
German (models)	46R8152	1
Spanish (models)	46R8153	1
Italian (models)	46R8154	1
Hong Kong (models)	46R8155	1
Arabic Localized (models)	46R8156	1
Athens Vista SP1 MUL 1 P/N's VU32 (EN DK FI NO SV) (models)	53Y4239	1

<b>9795 Vista Starter 32 Recovery CDs</b>	<b>FRU#</b>	<b>CRU</b>
English (models)	46R8052	1

<b>9795 Vista Home Premium 64 Recovery CDs</b>	<b>FRU#</b>	<b>CRU</b>
US (models)	71Y6634	1
French (models)	71Y6635	1

<b>9795 Win7 Professional 32</b>	<b>FRU#</b>	<b>CRU</b>
Brazilian Portuguese (all models)	89Y0454	1

## Machine Type 9804



Item #	9804 FRUs	FRU#	CRU
1	AMD 89W&65W 4Pin heatsink (ROCKYS) (all models)	41R6407	2
2	Microprocessor, Athlon64 4800+ X2 (2.50GHz, 1M L2, 65W) G1 65nm (models)	43C4093	N
2	Microprocessor, Athlon64 5000+ X2 (2.60GHz, 1M L2, 65W) G1 65nm (models)	41X1427	N
2	Microprocessor, Athlon 1640B (2.70GHz, 512K L2, 45W) G2 65nm (models)	45R6488	N
2	Microprocessor, Athlon64 5200+ AM2 X2 (2.7 GHz processor, 65W) stepping G1 65nm (models)	45C7502	N
2	Microprocessor, Athlon64 5400B X2(2.80GHz, 1M L2, 65W) G2 65nm (models)	45R6486	N
2	Microprocessor, Athlon64 5600+ X2 (2.90GHz, 1M L2, 89W) G2 65nm (models)	45C7504	N
2	Microprocessor, Athlon X2 BE 2350 (2.1GHz processor, 45W, 1MB L2) steping G1 (models)	43C6166	N
2	Microprocessor, Athlon X2 BE 2400 (2.3GHz processor, 45W, 1MB L2) steping G1 (models)	43C6165	N
2	Microprocessor, Athlon 4450B X2 (2.30GHz, 1M L2, 45W) G2 65nm (models)	46R3624	N
2	Microprocessor, Athlon 5000B X2 (2.60GHz, 1M L2, 65W) G2 65nm (models)	46R3625	N
2	Microprocessor, Athlon 5200B X2 (2.70GHz, 1M L2, 65W) G2 65nm (models)	46R3626	N
2	Microprocessor, Athlon LE-1660 (2.8 GHz, 512K L2, 45W) G2 65nm (models CTO)	53Y7722	N
2	Microprocessor, Athlon X2 5600B (2.9 GHz, 1M L2, 65W) G2 65nm (models CTO)	53Y7718	N
2	Microprocessor, Athlon64 X2 6000+ (3.1 GHz, 1M L2, 89W) G2 65nm (models CTO)	53Y7720	N
2	Microprocessor, Sempron LE-1250 (2.20GHz, 512K L2, 45W) G2 65nm (models)	43C6168	N
2	Microprocessor, Sempron LE-1300 (2.30GHz, 512K L2, 45W) G2 65nm (models)	43C8986	N
2	Microprocessor, Sempron 2100 X2 (1.80GHz, 512K L2, 65W) G2 65nm (models)	46R3629	N
2	Microprocessor, Sempron 2200 X2 (2.00GHz, 512K L2, 65W) G2 65nm (models)	46R3630	N
2	Microprocessor, Sempron X2 2300 (2.2GHz, 512K L2, 65W) G2 65nm (models CTO)	53Y7724	N

Item #	9804 FRUs	FRU#	CRU
2	Microprocessor, Sempron 140 (2.7GHz, 1M Total Cache, AM3, 45W) C2 45nm (models 91Z)	71Y6414	N
2	Microprocessor, Phenom 8600B (2.30GHz, 1.5M L2, 2M L3, 95W) stepping B2 65nm (models)	45R6494	N
2	Microprocessor, Phenom 9550 (2.20GHz, 2M L2, 2M L3, 95W) stepping B3 65nm (models)	45R6496	N
2	Microprocessor, Athlon II X2 240 (2.8GHz, 2M Total Cache, AM3, 65W) C2 45nm (models 91Z)	64Y8012	N
2	Microprocessor, Athlon II X2 245 (2.9GHz, 2M Total Cache, AM3, 65W) C2 45nm (models 91Z)	64Y8013	N
2	Microprocessor, Athlon II X3 435 (2.9GHz, 1.5M Total Cache, AM3, 95W) C2 45nm (models 91Z)	64Y8020	N
2	Microprocessor, Phenom II X2 550 (3.1GHz, 7M Total Cache, AM3, 80W) C2 45nm (models 91Z)	64Y8024	N
2	Microprocessor, Phenom II X2 555 (3.2 GHz, 7M Total Cache, AM3, 80W) C3 45nm (models 91Z)	89Y0793	N
2	Microprocessor, Phenom II X3 720 (2.8GHz, 7.5M Total Cache, AM3, 95W) C2 45nm (models 91Z)	64Y8030	N
2	Microprocessor, Phenom II X4 910 (2.6GHz, 8M Total Cache, AM3, 95W) C2 45nm (models 91Z)	64Y8035	N
2	Microprocessor, Phenom 9650 (2.30GHz, 2M L2, 2M L3, 95W) stepping B3 65nm (models)	45R6498	N
2	Microprocessor, Phenom 9600B (2.30GHz, 2M L2, 2M L3, 95W) stepping B2 65nm (models)	45R6500	N
2	Microprocessor, Phenom 8450 (2.10GHz, 1.5M L2, 2M L3, 95W) B3 65nm (models)	45R6490	N
2	Microprocessor, Phenom X3 8600B (2.3GHz, 1.5M L2, 2M L3, 95W) B3 65nm (models)	45R6494	N
2	Microprocessor, Phenom 9550 (2.20GHz, 2M L2, 2M L3, 95W) stepping B3 65nm (models CTO)	53Y7709	N
2	Microprocessor, Phenom X4 9750B (2.4 GHz, 512K / 2M L2, 95W) B3 65nm (models CTO)	53Y7711	N
3	DVD-ROM Drive - 16x/48x - SATA Vista & non-Vista (models)	41N3325	2
3	DVD-ROM Drive - 16x/48x - With DVD playback software (models)	71Y5543	2
3	DVD-RW/CD-RW Rambo 8 - With write software (models)	71Y5545	2
3	DVD Recordable/CD-RW Rambo 8 - SATA Vista & non-Vista (models)	43C1042	2
4	Front Power/LED PC, bracket, and cable (all models)	41N8213	2
5	Hard disk drive, 80GB, 7200RPM, SATA (models)	40Y9034	2
5	Hard disk drive, 160GB, 7200RPM, SATA (models)	40Y9035	2
5	Hard disk drive, SATA 160GB 7200RPM/3Gb/8MB (models)	53Y6837	2
5	Hard disk drive, SATA 250GB 7200RPM/3Gb/8MB (models)	45K0408	2
5	Hard disk drive, SATA 320GB 7200rpm SATA/8MB (models)	45K0409	2
5	Hard disk drive, SATA 500GB 7200RPM/3Gb/s/8MB (models)	45K0410	2
5	Hard disk drive, 250GB, 7200RPM, SATA (models)	40Y9036	2

Item #	9804 FRUs	FRU#	CRU
5	Hard disk drive, 320GB 7200rpm SATA/8MB (models)	87H4891	2
5	Hard disk drive, SATA 500GB 7200RPM/3Gb/s/8MB (models)	41X5582	2
6	Diskette drive, 3.5" 1.44MB 2 Mode FDD with Bezel and cable (models)	40Y9105	2
6	Diskette drive, 3.5" 1.44MB 2 Mode FDD with Bezel and cable (models)	40Y9107	2
7	Front USB/Audio with bracket (all models)	41N8212	2
8	Memory module, 512 MB PC2-5300 (667MHz) DDR2 SDRAM (models)	41X4255	2
8	Memory module, 512MB PC2-6400 (800MHz) DDR2 SDRAM (models)	41X1079	2
8	Memory module, 1GB PC2-6400 (667MHz) DDR2 SDRAM (models)	41X1080	2
8	Memory module, 2GB PC2-6400 (667MHz) DDR2 SDRAM (models)	41X1081	2
9	System board, Planar AMD RS780 mATX (TOWER & ROCKYS) (models)	71Y5724	N
9	System board, Planar AMD RS780 mATX GA Level - Support Phenom II X2 555 (models 91Z)	89Y1346	N
9	System board, Planar AMD RS780 mATX GA Level -Support Win7 and AM3 C2 CPU (models 91Z)	89Y1809	N
9	System board, Planar AMD RS780 mATX GA Level - TPM Disable for Russia (models)	71Y4994	N
10	Power Supply, ATX 280 Watt world wide (models)	41A9684	2
10	Power Supply, ATX 280 Watt 80% world wide and Japan (models)	41A9665	2
10	Power Supply, ATX 310 Watt world wide and Japan (models)	41A9726	2
10	Power Supply, 220 Watt world wide (models)	41A9689	N
10	Power Supply, 220 Watt only for Japan (models)	41A9697	N
10	Power Supply, 220 Watt 80% world wide and Japan (models)	41A9670	N
10	Power Supply, 280 Watt TFX Active PFC, world wide and Japan (models)	41A9705	N

The FRUs listed in the following tables are not illustrated.

9804 FRUs	FRU#	CRU
Fru rear IO shield ATX,for RX 780,Atlantic (all models)	41R6383	N
FDD Cable (all models)	41A7147	2
Cabel-SATA 250mm (RoHS) (all models)	43N9012	2
EMC Shield, Blank 5.25 (all models)	41N8271	2
EMC Shield, Blank FDD (all models)	41N8273	2
Cover, Rocky S3 (all models)	41N8204	2
Mechanical shell kit Rocky S4 (all models)	43N9374	N
Bezel kit, Rocky S3 without IBM logo (all models)	41R6238	2
Misc Hardware Kit (all models)	41N8209	2
HDD Bracket Asm (plastic and grommets) (all models)	41N8210	2
HDD Fan and bracket asm (all models)	41R6325	2
Speaker Cable Asm, 600 mm cable length (all models)	41N8217	2
Rear Com2 cable II LP (all models)	42Y8008	2

<b>9804 FRUs</b>	<b>FRU#</b>	<b>CRU</b>
Rear USB 2Ports II LP (all models)	42Y8006	2
Foot stand ASM for ACE rocky S3 (all models)	41R4813	1
Instruction switch Asm (all models)	41R6208	2
RM Asm, AMD (all models)	41R2507	N
Temp Sense Cable (165 mm) (all models)	43N9079	2
Fru-Cable, MINI,COM2 CABLE(ROHS) (all models)	41R6198	2

<b>9804 Keyboards (Lenovo Preferred Pro USB -- without hub)</b>	<b>FRU#</b>	<b>CRU Tier</b>
USB FULL--US English (models)	41A5289	1
USB FULL--Arabic (models)	41A5290	1
USB FULL--Arabic/French (models)	41A5291	1
USB FULL--Belgian/French (models)	41A5292	1
USB FULL--Belgium English (models)	41A5293	1
USB FULL--Brazilian Portuguese (models)	41A5294	1
USB FULL--Bulgarian (models)	41A5295	1
USB FULL--Chinese/US (models)	41A5296	1
USB FULL--Czech (ABB) (models)	41A5297	1
USB FULL--Danish (models)	41A5298	1
USB FULL--Dutch (models)	41A5299	1
USB FULL--French (models)	41A5300	1
USB FULL--French Canadian (models)	41A5301	1
USB FULL--French Canadian (models)	41A5302	1
USB FULL--German (models)	41A5303	1
USB FULL--Greek (models)	41A5304	1
USB FULL--Greek/US (models)	41A5305	1
USB FULL--Hebrew (models)	41A5306	1
USB FULL--Hungarian (models)	41A5307	1
USB FULL--Iceland (models)	41A5308	1
USB FULL--Italy (models)	41A5309	1
USB FULL--Japanese (models)	41A5310	1
USB FULL--Korean (models)	41A5311	1
USB FULL--LA Spanish (models)	41A5312	1
USB FULL--Norwegian (models)	41A5313	1
USB FULL--Polish (models)	41A5314	1
USB FULL--Portugese (models)	41A5315	1
USB FULL--Romanian (models)	41A5317	1
USB FULL--Russian/Cyrillic (models)	41A5318	1
USB FULL--Serbian/Cyrillic (models)	41A5319	1

<b>9804 Keyboards (Lenovo Preferred Pro USB -- without hub)</b>	<b>FRU#</b>	<b>CRU Tier</b>
USB FULL--Slovak (models)	41A5320	1
USB FULL--Spanish (models)	41A5321	1
USB FULL--Swedish/Finnish (models)	41A5322	1
USB FULL--Swiss F/G (models)	41A5323	1
USB FULL--Thailand (models)	41A5324	1
USB FULL--Turkish (models)	41A5325	1
USB FULL--Turkish (models)	41A5326	1
USB FULL--UK English (models)	41A5327	1
USB FULL--US Euro (models)	41A5328	1
USB FULL--Slovenian (models)	41A5329	1

<b>9804 Keyboards (Lenovo Fingerprint Reader USB)</b>	<b>FRU#</b>	<b>CRU Tier</b>
US English (models)	41R0038	1
Arabic (models)	41R0039	1
Arabic/French (models)	41R0040	1
Belgian/French (models)	41R0041	1
Belgium English (models)	41R0042	1
Brazilian Portuguese (models)	41R0043	1
Bulgarian (models)	41R0044	1
Chinese/US (models)	41R0045	1
Czech (ABB) (models)	41R0046	1
Danish (models)	41R0047	1
Dutch (models)	41R0048	1
French (models)	41R0049	1
French Canadian (models)	41R0050	1
French Canadian (models)	41R0051	1
German (models)	41R0052	1
Greek (models)	41R0053	1
Greek/US (models)	41R0054	1
Hebrew (models)	41R0055	1
Hungarian (models)	41R0056	1
Iceland (models)	41R0057	1
Italy (models)	41R0058	1
Japanese (models)	41R0059	1
Korean (models)	41R0060	1
LA Spanish (models)	41R0061	1
Norwegian (models)	41R0062	1
Polish (models)	41R0063	1



<b>9804 Keyboards (Lenovo Fingerprint Reader USB)</b>	<b>FRU#</b>	<b>CRU Tier</b>
Portuguese (models)	41R0064	1
Romanian (models)	41R0065	1
Romanian (models)	41R0066	1
Russian/Cyrillic (models)	41R0067	1
Serbian/Cyrillic (models)	41R0068	1
Slovak (models)	41R0069	1
Spanish (models)	41R0070	1
Swedish/Finnish (models)	41R0071	1
Swiss F/G (models)	41R0072	1
Thailand (models)	41R0073	1
Turkish (models)	41R0074	1
Turkish (models)	41R0075	1
UK English (models)	41R0076	1
US Euro (models)	41R0077	1
Slovenian (models)	41R0078	1

<b>9804 Keyboards (Lenovo Preferred Pro PS/2 Full Size)</b>	<b>FRU#</b>	<b>CRU Tier</b>
PS/2 Full--US English (models)	41A5039	1
PS/2 Full--Arabic (models)	41A5040	1
PS/2 Full--Arabic/French (models)	41A5041	1
PS/2 Full--Belgian/French (models)	41A5042	1
PS/2 Full--Belgium English (models)	41A5043	1
PS/2 Full--Brazilian Portuguese (models)	41A5044	1
PS/2 Full--Bulgarian (models)	41A5045	1
PS/2 Full--Chinese/US (models)	41A5046	1
PS/2 Full--Czech (ABB) (models)	41A5047	1
PS/2 Full--Danish (models)	41A5048	1
PS/2 Full--Dutch (models)	41A5049	1
PS/2 Full--French (models)	41A5050	1
PS/2 Full--French Canadian (models)	41A5051	1
PS/2 Full--French Canadian (models)	41A5052	1
PS/2 Full--German (models)	41A5053	1
PS/2 Full--Greek (models)	41A5054	1
PS/2 Full--Greek/US (models)	41A5080	1
PS/2 Full--Hebrew (models)	41A5055	1
PS/2 Full--Hungarian (models)	41A5056	1
PS/2 Full--Iceland (models)	41A5057	1
PS/2 Full--Italy (models)	41A5058	1

<b>9804 Keyboards (Lenovo Preferred Pro PS/2 Full Size)</b>	<b>FRU#</b>	<b>CRU Tier</b>
PS/2 Full--Japanese (models)	41A5059	1
PS/2 Full--Korean (models)	41A5060	1
PS/2 Full--LA Spanish (models)	41A5061	1
PS/2 Full--Norwegian (models)	41A5062	1
PS/2 Full--Polish (models)	41A5063	1
PS/2 Full--Portugese (models)	41A5064	1
PS/2 Full--Romanian (models)	41A5065	1
PS/2 Full--Russian/Cyrillic (models)	41A5066	1
PS/2 Full--Serbian/Cyrillic (models)	41A5067	1
PS/2 Full--Slovak (models)	41A5068	1
PS/2 Full--Spanish (models)	41A5069	1
PS/2 Full--Swedish/Finnish (models)	41A5070	1
PS/2 Full--Swiss F/G (models)	41A5071	1
PS/2 Full--Thailand (models)	41A5072	1
PS/2 Full--Turkish (models)	41A5073	1
PS/2 Full--Turkish (models)	41A5074	1
PS/2 Full--UK English (models)	41A5075	1
PS/2 Full--US Euro (models)	41A5076	1
PS/2 Full--Slovenian (models)	41A5077	1

<b>9804 mice</b>	<b>FRU#</b>	<b>CRU</b>
Optical Wheel Mouse OPT (400DPI, USB) (models)	41U3013	1
Optical Wheel Mouse OPT (400DPI, USB) (models)	41U3030	1
PS/2 Three Button ball mouse scrollpoint (41R0017) (models)	41R0018	1

<b>9804 Adapters and miscellaneous FRUs</b>	<b>FRU#</b>	<b>CRU</b>
Internal USB Memory Card Reader floppy bay (models)	41R3378	2
Internal 20 in 1 USB Memory Card Reader (models)	45R8139	1
NVIDIA GeForce 9300 GE 256M Low Profile (1*DVI) (Rockey) (models)	53Y5823	2
ATI HD 2600XT 512MB 128BIT ATX (models)	43C0261	2
IEEE 1394 Firewire Adapter SFF (models)	41D2781	2
IEEE 1394 Firewire Adapter ATX (models)	41D2781	2
Soft Modem V.90/V.44 SFF (models)	29R9729	2
Soft Modem V.90/V.44 ATX (models)	29R9729	2
ATI HD 2400PRO 128MB 64BIT DMS59 LP (models)	43C0259	2
ATI HD 2400PRO 128MB 64BIT DMS59 ATX (models)	43C0259	2
ATI HD 2400XT 256MB 64BIT DMS59 LP Secondary (models)	64Y3997	2
Speaker Power brick - US, Canada, LA low voltage, ASEAN (models)	89P8571	1

<b>9804 Adapters and miscellaneous FRUs</b>	<b>FRU#</b>	<b>CRU</b>
Speaker Power brick - LA high voltage (non-APU) (models)	89P8575	1
Speaker Power brick - SIMPLIFIED -CHN, Thailand EMEA(models)	89P8581	1
Speaker Power brick - Japan (models)	89P8577	1
Speaker Power brick - Brazil (models)	89P8583	1
Speaker Power brick - Argentina (models)	41A4901	1
Speaker Power brick - ANZ (models)	89P8579	1
Speaker Power brick - Korean (models)	41A4903	1
Speaker Power brick - Hong Kong, EMEA (models)	89P8573	1
Speaker Power brick -TAIWAN-TC (models)	41A4905	1
Speaker Power brick - India, South Africa (models)	89P8585	1
Dongle DMS Dule DMS-59 to dual VGA Cable (models)	42Y8181	2
Dongle DMS Dule DMS-59 to dual DVI Cable (models)	41X6398	2
Dongle DMS Dule DMS-59 to single VGA & single DVI Cable (models)	42Y8183	2
2-pc external speaker--primary (models)	41A5331	1
2-pc external speaker-secondary (models)	41A5334	1
DVI-I(M)-VGA(F) cord (models)	41R3342	2
Battery 3V- Lithium (models)	45C1566	1
HD 3470 256M 64bit DP ATX/LP (models)	64Y4498	2
DP to DVI dongle (models)	43N9160	2
Bitland 88E8075 1000M PCIE DASH NIC FH (R)(Rocky) (models)	53Y4008	2
AMD Display Port card LP® (Rocky) (models)	53Y4002	1

<b>9804 Power Cords</b>	<b>FRU#</b>	<b>CRU</b>
Power cord - US (models)	41R3184	1
Power cord - US (models)	41R3185	1
Power cord - China (models)	41R3256	1
Power cord - China (models)	41R3257	1
Power cord - Japanese and Japanese English (models)	41R3248	1
Power cord - Japanese and Japanese English (models)	41R3249	1
Power cord - Brazil (Portigese) (models)	41R3270	1
Power cord - Brazil (Portigese) (models)	41R3271	1
Power cord - LA High Volt (APU) (models)	41R3176	1
Power cord - LA High Volt (APU) (models)	41R3177	1
Power cord - ANZ (models)	41R3196	1
Power cord - ANZ (models)	41R3197	1
Power cord - Korea (models)	41R3260	1
Power cord - Korea (models)	41R3261	1
Power cord - UK, Ireland, Singapore, Malaysia, Brunei, Hongkong (models)	41R3224	1
Power cord - UK, Ireland, Singapore, Malaysia, Brunei, Hongkong (models)	41R3225	1

<b>9804 Power Cords</b>	<b>FRU#</b>	<b>CRU</b>
Power cord - Taiwan (models)	41R3278	1
Power cord - Taiwan (models)	41R3279	1
Power cord - Italy (models)	41R3232	1
Power cord - Italy (models)	41R3233	1
Power cord - Indonesia, Laos, Cambodia, Vietnam, Austria, Belgium, Croatia, Czechoslovakia, Finland, France, Germany, Hungary, Netherlands, Norway, Poland, Portugal, Romania, Spain, Sweden (models)	41R3208	1
Power cord - Indonesia, Laos, Cambodia, Vietnam, Austria, Belgium, Croatia, Czechoslovakia, Finland, France, Germany, Hungary, Netherlands, Norway, Poland, Portugal, Romania, Spain, Sweden (models)	41R3209	1
Power cord - Denmark (models)	41R3212	1
Power cord - Denmark (models)	41R3213	1
Power cord - Switzerland (models)	41R3228	1
Power cord - Switzerland (models)	41R3229	1
Power cord - Israel (models)	41R3236	1
Power cord - Israel (models)	41R3237	1
Power cord - South Africa (models)	41R3220	1
Power cord - South Africa (models)	41R3221	1
Power cord - India (models)	41R3341	1
Power cord - India (models)	41R3175	1
Power cord - Thailand (models)	43N9029	1
Power cord - Thailand (models)	43N9030	1
Power cord - Brazil (models)	43N9044	1

<b>9804 Windows XP Home Recovery CDs</b>	<b>FRU#</b>	<b>CRU</b>
US English/UK/Asia Pacific (models)	TBD	1
French/French Canadian (models)	TBD	1
Greek (models)	TBD	1
Italy (models)	TBD	1
Brazilian (models)	TBD	1
Spanish/LA (models)	TBD	1
Danish (models)	TBD	1
Dutch (models)	TBD	1
Arabic (models)	TBD	1
SV (Swedish) (models)	TBD	1
Hebrew (models)	TBD	1
Finnish (models)	TBD	1
Norwegian (models)	TBD	1
Polish (models)	TBD	1
Portuguese (models)	TBD	1

<b>9804 Windows XP Home Recovery CDs</b>	<b>FRU#</b>	<b>CRU</b>
Russian (models)	TBD	1
Russian English (models)	TBD	1
Hungarian (models)	TBD	1
Czech (models)	TBD	1
Turkish native (models)	TBD	1
Greek (models)	TBD	1
Japanese (models)	TBD	1
Simplified Chinese (models)	TBD	1
Taiwan-TC (models)	TBD	1
Hong Kong-TC (models)	TBD	1
Korean (models)	TBD	1

<b>9804 Windows XP Pro Recovery CDs</b>	<b>FRU#</b>	<b>CRU</b>
English (models)	64Y5588	1
Japanese (models)	64Y6202	1
Simplified Chinese (models)	64Y5590	1
Spanish (models)	64Y5591	1
French (models)	64Y5592	1
Italian (models)	64Y5593	1
Brazilian Portuguese (models)	64Y5594	1
German (models)	64Y5595	1
Hong Kong (models)	64Y5596	1
Swedish (models)	64Y5597	1
Danish (models)	64Y5598	1
Norway (models)	64Y5599	1
Finland (models)	64Y5600	1
Arabic (models)	64Y5601	1
Traditional Chinese (models)	64Y5602	1
Russian (models)	64Y5603	1
Polish (models)	64Y5604	1
Hebrew (models)	64Y5605	1
Korea (models)	64Y5606	1
Greek (models)	64Y5607	1
Turkish (models)	64Y5608	1
Dutch (models)	64Y5609	1
Slovenian (models)	64Y5610	1
Hungarian (models)	64Y5611	1
Czech (models)	64Y5612	1
Portuguese (models)	64Y5613	1

<b>9804 Windows XP Pro Recovery CDs</b>	<b>FRU#</b>	<b>CRU</b>
Russian English (models)	64Y5614	1
MUI Nordics (EN-DK-FI-NO-SV) (models CTO)	71Y6401	1
MUI Switz (EN-FR-GR-IT) (models CTO)	71Y6402	1
MUI Bel-Lux (EN-FR-GR-NL) (models CTO)	71Y6403	1

<b>9804 Vista Home Basic 32 Recovery CDs</b>	<b>FRU#</b>	<b>CRU</b>
US English (models)	46R8053	1
French (models)	46R8057	1
German (models)	46R8060	1
Spanish (models)	46R8056	1
Brazilian (models)	46R8059	1
Italian (models)	46R8058	1
Japanese (models)	64Y6207	1
Dutch (models)	46R8070	1
Czech (models)	46R8074	1
Polish (models)	46R8065	1
Russian (models)	46R8064	1
Turkish (models)	46R8069	1
Hungarian (models)	46R8073	1
Greek (models)	46R8068	1
Portuguese (models)	46R8077	1
Hong Kong (models)	46R8061	1
Traditional Chinese (models)	46R8063	1
Korean (models)	46R8067	1
Slovenian (models)	46R8071	1
Russian English (models)	46R8078	1
Hebrew (models)	46R8066	1
Arabic Localized (models)	46R8062	1
Slovakian (models)	46R8075	1
Simplified Chinese (models)	46R8055	1
Serbian-Latin (models)	46R8076	1
Romanian (models)	46R8072	1
Belgium-Luxembourg (models)	53Y4230	1
Switzerland (models)	53Y4231	1
Nordics (models)	53Y4232	1

<b>9804 Vista Business 32 Recovery CDs</b>	<b>FRU#</b>	<b>CRU</b>
US English (models)	46R8079	1
French (models)	46R8083	1

<b>9804 Vista Business 32 Recovery CDs</b>	<b>FRU#</b>	<b>CRU</b>
German (models)	46R8086	1
Spanish (models)	46R8082	1
Brazilian (models)	46R8085	1
Italian (models)	46R8084	1
Japanese (models)	64Y6205	1
English for Indian (models)	64Y9435	1
Dutch (models)	46R8096	1
Czech (models)	46R8100	1
Polish (models)	46R8091	1
Russian (models)	46R8090	1
Turkish (models)	46R8095	1
Hungarian (models)	46R8099	1
Greek (models)	46R8094	1
Portuguese (models)	46R8103	1
Simplified Chinese (models)	46R8081	1
Hong Kong (models)	46R8087	1
Traditional Chinese (models)	46R8089	1
Korean (models)	46R8093	1
Slovenian (models)	46R8097	1
Russian English (models)	46R8104	1
Romanian (models)	46R8098	1
Sebian-Latin (models)	46R8102	1
Hebrew (models)	46R8092	1
Arabic Localized (models)	46R8088	1
Slovakian (models)	46R8101	1
Belgium-Luxembourg (models)	53Y4233	1
Switzerland (models)	53Y4234	1
Nordics (models)	53Y4235	1

<b>9804 Vista Premium 32 Recovery CDs</b>	<b>FRU#</b>	<b>CRU</b>
US English (models)	46R8141	1
French (models)	46R8143	1
German (models)	46R8144	1
Spanish (models)	46R8145	1
Italian (models)	46R8146	1
Japanese (models)	64Y6208	1
Hong Kong (models)	46R8147	1
Korean (models)	46R8148	1
Athens Vista SP1 MUL 1 P/N's VHP32 (EN FR GR NL) (models)	53Y4236	1

<b>9804 Vista Premium 32 Recovery CDs</b>	<b>FRU#</b>	<b>CRU</b>
Athens Vista SP1 MUL 2 P/N's VHP32 (EN FR GR IT) (models)	53Y4237	1
Athens Vista SP1 MUL 3P/N's VHP32 (EN DK FI NO SV) (models)	53Y4238	1

<b>9804 Vista Business 64 Recovery CDs</b>	<b>FRU#</b>	<b>CRU</b>
US English (models)	46R8131	1
French (models)	46R8134	1
German (models)	46R8135	1
Japanese (models)	64Y6210	1
Simplified Chinese (models)	46R8133	1

<b>9804 Vista Ultimate 32 Recovery CDs</b>	<b>FRU#</b>	<b>CRU</b>
US English (models)	46R8149	1
Japanese (models)	64Y6209	1
French (models)	46R8151	1
German (models)	46R8152	1
Spanish (models)	46R8153	1
Italian (models)	46R8154	1
Hong Kong (models)	46R8155	1
Arabic Localized (models)	46R8156	1
Athens Vista SP1 MUL 1 P/N's VU32 (EN DK FI NO SV) (models)	53Y4239	1

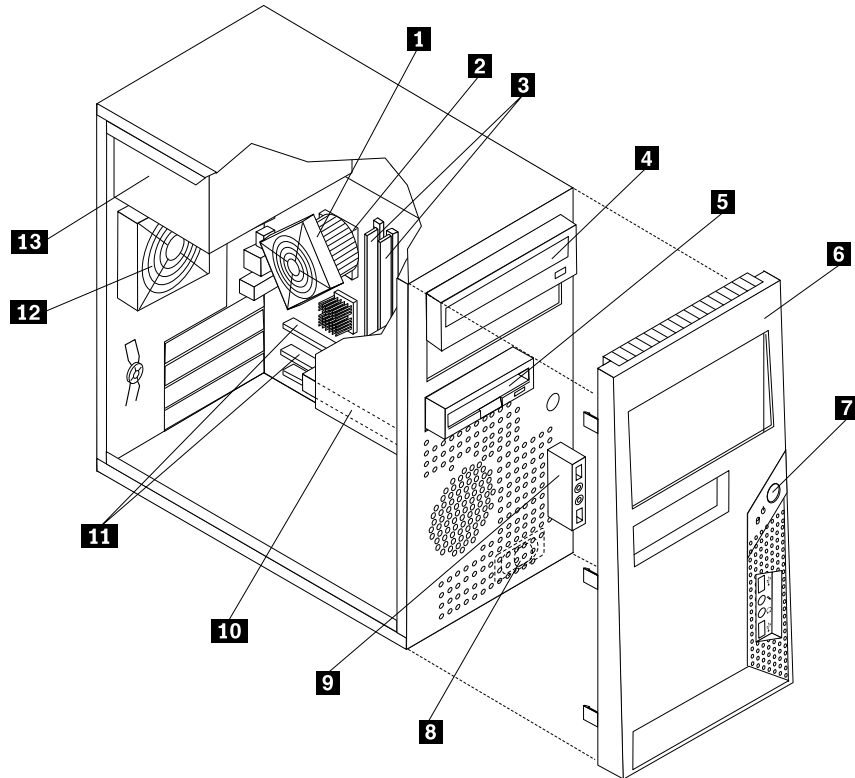
<b>9804 Vista Starter 32 Recovery CDs</b>	<b>FRU#</b>	<b>CRU</b>
English (models)	46R8052	1

<b>9804 Vista Home Premium 64 Recovery CDs</b>	<b>FRU#</b>	<b>CRU</b>
US (models)	71Y6634	1
French (models)	71Y6635	1

<b>9804 Win7 Professional 32</b>	<b>FRU#</b>	<b>CRU</b>
Brazilian Portuguese (all models)	89Y0454	1



## Machine Type 9935



Item #	9935 FRUs	FRU#	CRU
1	AMD 89W&65W 4Pin heatsink (all models)	41R6407	2
2	Microprocessor, Athlon64 4800+ X2 (2.50GHz, 1M L2, 65W) G1 65nm (models)	43C4093	N
2	Microprocessor, Athlon64 5000+ X2 (2.60GHz, 1M L2, 65W) G1 65nm (models)	41X1427	N
2	Microprocessor, Athlon 1640B (2.70GHz, 512K L2, 45W) G2 65nm (models B1U B1F D3U D3F D3S D3D D3Y)	45R6488	N
2	Microprocessor, Athlon64 5200+ X2 (2.70GHz, 1M L2, 65W) G1 65nm (models)	45C7502	N
2	Microprocessor, Athlon64 5400B X2(2.80GHz, 1M L2, 65W) G2 65nm (models 99G A8V D5U D5F D5S D5D D5Y)	45R6486	N
2	Microprocessor, Athlon64 5600+ X2 (2.90GHz, 1M L2, 89W) G2 65nm (models)	45C7504	N
2	Microprocessor, Athlon BE-2350 X2 (2.10GHz, 1M L2, 45W) G2 65nm (models)	43C6166	N
2	Microprocessor, Athlon BE-2400 X2 (2.30GHz, 1M L2, 45W) G2 65nm (models)	43C6165	N
2	Microprocessor, Athlon 4450B X2 (2.30GHz, 1M L2, 45W) G2 65nm (models B6U B6F B7U B7F)	46R3624	N
2	Microprocessor, Athlon 5000B X2 (2.60GHz, 1M L2, 65W) G2 65nm (models A7H A5V B2U B2F B3U B3F D4U D4F D4S D4D D4Y)	46R3625	N
2	Microprocessor, Athlon 5200B X2 (2.70GHz, 1M L2, 65W) G2 65nm (models)	46R3626	N
2	Microprocessor, Athlon LE-1660 (2.8 GHz, 512K L2, 45W) G2 65nm (models CTO)	53Y7722	N
2	Microprocessor, Athlon X2 5600B (2.9 GHz, 1M L2, 65W) G2 65nm (models CTO)	53Y7718	N
2	Microprocessor, Athlon64 X2 6000+ (3.1 GHz, 1M L2, 89W) G2 65nm (models CTO)	53Y7720	N

Item #	9935 FRUs	FRU#	CRU
2	Microprocessor, Athlon II X2 240 (2.8GHz, 2M Total Cache, AM3, 65W) C2 45nm (models 91Z)	64Y8012	N
2	Microprocessor, Athlon II X2 245 (2.9GHz, 2M Total Cache, AM3, 65W) C2 45nm (models 91Z)	64Y8013	N
2	Microprocessor, Athlon II X3 435 (2.9GHz, 1.5M Total Cache, AM3, 95W) C2 45nm (models 91Z)	64Y8020	N
2	Microprocessor, Phenom II X2 550 (3.1GHz, 7M Total Cache, AM3, 80W) C2 45nm (models 91Z)	64Y8024	N
2	Microprocessor, Phenom II X2 555 (3.2 GHz, 7M Total Cache, AM3, 80W) C3 45nm (models 91Z)	89Y0793	N
2	Microprocessor, Phenom II X3 720 (2.8GHz, 7.5M Total Cache, AM3, 95W) C2 45nm (models 91Z)	64Y8030	N
2	Microprocessor, Phenom II X4 910 (2.6GHz, 8M Total Cache, AM3, 95W) C2 45nm (models 91Z)	64Y8035	N
2	Microprocessor, Sempron LE-1250 (2.20GHz, 512K L2, 45W) G2 65nm (models)	43C6168	N
2	Microprocessor, Sempron LE-1300 (2.30GHz, 512K L2, 45W) G2 65nm (models A4V A2V D1U D1F)	43C8986	N
2	Microprocessor, Sempron 2100 X2 (1.80GHz, 512K L2, 65W) G2 65nm (models)	46R3629	N
2	Microprocessor, Sempron 2200 X2 (2.00GHz, 512K L2, 65W) G2 65nm (models)	46R3630	N
2	Microprocessor, Sempron X2 2300 (2.2GHz, 512K L2, 65W) G2 65nm (models CTO)	53Y7724	N
2	Sempron 140 (2.7GHz, 1M Total Cache, AM3, 45W) C2 45nm (models 91Z)	71Y6414	N
2	Microprocessor, Phenom 8600B (2.30GHz, 1.5M L2, 2M L3, 95W) stepping B2 65nm (models A3C D6U D6F D6S D6D D6Y)	45R6494	N
2	Microprocessor, Phenom 9550 (2.20GHz, 2M L2, 2M L3, 95W) stepping B3 65nm (models)	45R6496	N
2	Microprocessor, Phenom 9650 (2.30GHz, 2M L2, 2M L3, 95W) stepping B3 65nm (models)	45R6498	N
2	Microprocessor, Phenom 9600B (2.30GHz, 2M L2, 2M L3, 95W) stepping B2 65nm (models A9V A6V)	45R6500	N
2	Microprocessor, Phenom 8450 (2.10GHz, 1.5M L2, 2M L3, 95W) B3 65nm (models B4U B4F B5U B5F)	45R6490	N
2	Microprocessor, Phenom X3 8600B (2.3GHz, 1.5M L2, 2M L3, 95W) B3 65nm (models)	45R6494	N
2	Microprocessor, Phenom 9550 (2.20GHz, 2M L2, 2M L3, 95W) stepping B3 65nm (models CTO)	53Y7709	N
2	Microprocessor, Phenom X4 9750B (2.4 GHz, 512K / 2M L2, 95W) B3 65nm (models CTO)	53Y7711	N
3	Memory module, 512MB PC2-5300 (667MHz) DDR2 SDRAM (models)	41X4255	2
3	Memory module, 512MB PC2-6400 (800MHz) DDR2 SDRAM (models)	41X1079	2
3	Memory module, 1GB PC2-6400 (667MHz) DDR2 SDRAM (models 99G A8V A9V D1U D1F)	41X1080	2
3	Memory module, 2GB PC2-6400 (667MHz) DDR2 SDRAM (models)	41X1081	2
4	DVD-ROM Drive - 16x/48x - SATA Vista & non-Vista (models A4V A5V A6V A2V A1V B1U B1F B2U B2F B6U B6F D3U D3F D3S D3D D3Y D4U D4F D4S D4D D4Y)	41N3325	2

Item #	9935 FRUs	FRU#	CRU
4	DVD-ROM Drive - 16x/48x - With DVD playback software (models A4V A5V A6V A2V A1V B1U B1F B2U B2F B6U B6F D3U D3F D3S D3D D3Y D4U D4F D4S D4D D4Y)	71Y5543	2
4	DVD Recordable/CD-RW Rambo 8 - SATA Vista & non-Vista (models 99G A7H A8V A9V A3C B3U B3F B4U B4F B5U B5F B7U B7F D1U D1F)	43C1042	2
4	DVD-RW/CD-RW Rambo 8 - With write software (models 99G A7H A8V A9V A3C B3U B3F B4U B4F B5U B5F B7U B7F D1U D1F)	71Y5545	2
5	Diskette drive, 3.5" 1.44MB 2 Mode FDD with Bezel and cable (models)	40Y9105	2
5	Diskette drive, 3.5" 1.44MB 2 Mode FDD with Bezel and cable (models)	40Y9107	2
6	Bezel assembly, without IBM mark (all models)	41R6243	2
7	Power switch/LED assembly (all models)	41N5284	2
8	Speaker assembly, soldered terminals (all models)	39P5023	2
9	Front audio/USB assembly (all models)	41N8054	2
10	Hard disk drive, SATA 80GB 7200RPM/3Gb/8MB (models)	40Y9034	2
10	Hard disk drive, SATA 160GB 7200RPM/3Gb/8MB (models 99G A7H A8V B1U B1F B2U B2F B3U B3F B4U B4F B6U B6F B7U B7F D1U D1F D3U D3F D3S D3D D3Y D4U D4F D4S D4D D4Y D5U D5F D5S D5D D5Y D6U D6F D6S D6D D6Y)	40Y9035	2
10	Hard disk drive, SATA 160GB 7200RPM/3Gb/8MB (models 99G A7H A8V B1U B1F B2U B2F B3U B3F B4U B4F B6U B6F B7U B7F D1U D1F D3U D3F D3S D3D D3Y D4U D4F D4S D4D D4Y D5U D5F D5S D5D D5Y D6U D6F D6S D6D D6Y)	53Y6837	2
10	Hard disk drive, SATA 250GB 7200RPM/3Gb/8MB (models A9V A4V A5V A6V A2V A3C A1V)	45K0408	2
10	Hard disk drive, SATA 320GB 7200rpm SATA/8MB (models B5U B5F)	45K0409	2
10	Hard disk drive, SATA 500GB 7200RPM/3Gb/s/8MB (models)	45K0410	2
10	Hard disk drive, SATA 250GB 7200RPM/3Gb/8MB (models A9V A4V A5V A6V A2V A3C)	40Y9036	2
10	Hard disk drive, SATA 320GB 7200rpm SATA/8MB (models B5U B5F)	87H4891	2
10	Hard disk drive, SATA 500GB 7200RPM/3Gb/s/8MB (models)	41X5582	2
11	System board, Planar AMD RS780 mATX (TOWER & ROCKYS) (models 99G A7H A8V A9V A4V A5V A6V A2V A3C A1V B1U B1F B2U B2F B3U B3F B4U B4F B5U B5F B6U B6F B7U B7F D1U D1F D3U D3F D3S D3D D3Y D4U D4F D4S D4D D4Y D5U D5F D5S D5D D5Y D6U D6F D6S D6D D6Y)	71Y5724	N
11	System board, Planar AMD RS780 mATX GA Level - TPM Disable for Russia (models 99G)	71Y4994	N
11	System board, Planar AMD RS780 mATX GA Level - Support Phenom II X2 555 (models 91Z)	89Y1346	N
11	System board, Planar AMD RS780 mATX GA Level -Support Win7 and AM3 C2 CPU (models 91Z)	89Y1809	1
12	System fan, rear (all models)	41R6269	2
12	System fan, rear (all models)	43N9908	2
13	Power supply, ATX 280W (Robust, WW) (models 99G A7H A8V A9V A4V A5V A6V A2V A3C A1V B1U B1F B2U B2F B3U B3F B4U B4F B5U B5F B6U B6F B7U B7F D1U D1F D3U D3F D3S D3D D3Y D4U D4F D4S D4D D4Y D5U D5F D5S D5D D5Y D6U D6F D6S D6D D6Y)	41A9684	2

Item #	9935 FRUs	FRU#	CRU
13	Power supply, ATX 280W 80% (Robust, WW, JP) (models 99G A7H A8V A9V A4V A5V A6V A2V A3C A1V B1U B1F B2U B2F B3U B3F B4U B4F B5U B5F B6U B6F B7U B7F D1U D1F D3U D3F D3S D3D D3Y D4U D4F D4S D4D D4Y D5U D5F D5S D5D D5Y D6U D6F D6S D6D D6Y)	41A9665	2
13	Power supply, ATX 310W (Robust, WW, JP) (models 99G A7H A8V A9V A4V A5V A6V A2V A3C A1V B1U B1F B2U B2F B3U B3F B4U B4F B5U B5F B6U B6F B7U B7F D1U D1F D3U D3F D3S D3D D3Y D4U D4F D4S D4D D4Y D5U D5F D5S D5D D5Y D6U D6F D6S D6D D6Y)	41A9726	2
13	Power supply, 220W (Robust, WW) (models 99G A7H A8V A9V A4V A5V A6V A2V A3C A1V B1U B1F B2U B2F B3U B3F B4U B4F B5U B5F B6U B6F B7U B7F D1U D1F D3U D3F D3S D3D D3Y D4U D4F D4S D4D D4Y D5U D5F D5S D5D D5Y D6U D6F D6S D6D D6Y)	41A9689	N
13	Power supply, 220W only for JP (models)	41A9697	N
13	Power supply, 220W 80% (Robust, WW, JP) (models 99G A7H A8V A9V A4V A5V A6V A2V A3C A1V B1U B1F B2U B2F B3U B3F B4U B4F B5U B5F B6U B6F B7U B7F D1U D1F D3U D3F D3S D3D D3Y D4U D4F D4S D4D D4Y D5U D5F D5S D5D D5Y D6U D6F D6S D6D D6Y)	41A9670	N
13	Power supply, 280W TFX ,Active PFC, (Robust, WW, JP) (models 99G A7H A8V A9V A4V A5V A6V A2V A3C A1V B1U B1F B2U B2F B3U B3F B4U B4F B5U B5F B6U B6F B7U B7F D1U D1F D3U D3F D3S D3D D3Y D4U D4F D4S D4D D4Y D5U D5F D5S D5D D5Y D6U D6F D6S D6D D6Y)	41A9705	N

The FRUs listed in the following tables are not illustrated.

9935 FRUs	FRU#	CRU
Cover (all models)	41N8050	2
Retainer, Card Reader (all models)	41R2913	2
Front Fan AVC (all models)	41R4791	2
HDD Tray (all models)	41R6291	2
FDD cable, 325mm, (all models)	41A7182	2
Cabel -SATA 457mm (RoHS) (all models)	43N9013	2
Cabel-SATA 250mm (RoHS) (all models)	43N9012	2
Optional HDD Bracket Asm (all models)	41R6106	2
EMC Shield (all models)	41N8080	2
EMC Shield (all models)	41N8078	2
Rear IO shield ATX,for RX 780,Atlantic (all models)	41R6383	N
Intrusion Switch Asm (all models)	41R6116	2
Temp Sense cable for Armstrong (460 mm) (all models)	41R2509	2
Blank 5.25" Bezel (all models)	41N8077	2
Asm Chassis Without IBM Mark Atlantic (all models)	41R6408	5
ODD/FDD/Cardreader Retainers (all models)	43N9351	2
AMD thermal KIT (all models)	41R6407	2
Cable Clip, FW-6D (all models)	43N9462	2

<b>9935 Keyboards (Lenovo Preferred Pro USB -- without hub)</b>	<b>FRU#</b>	<b>CRU Tier</b>
USB FULL--US English (models 99G A7H B1U B2U B3U B4U B5U B6U B7U D1U D3U D4U D5U D6U)	41A5289	1
USB FULL--Arabic (models)	41A5290	1
USB FULL--Arabic/French (models)	41A5291	1
USB FULL--Belgian/French (models)	41A5292	1
USB FULL--Belgium English (models)	41A5293	1
USB FULL--Brazilian Portuguese (models)	41A5294	1
USB FULL--Bulgarian (models)	41A5295	1
USB FULL--Chinese/US (models A8V A9V A4V A5V A6V A2V)	41A5296	1
USB FULL--Czech (ABB) (models)	41A5297	1
USB FULL--Danish (models)	41A5298	1
USB FULL--Dutch (models)	41A5299	1
USB FULL--French (models)	41A5300	1
USB FULL--French Canadian (models 99G B1F B2F B3F B4F B5F B6F B7F D1F D3F D4F D5F D6F)	41A5301	1
USB FULL--French Canadian (models 99G B1F B2F B3F B4F B5F B6F B7F D1F D3F D4F D5F D6F)	41A5302	1
USB FULL--German (models)	41A5303	1
USB FULL--Greek (models)	41A5304	1
USB FULL--Greek/US (models)	41A5305	1
USB FULL--Hebrew (models)	41A5306	1
USB FULL--Hungarian (models)	41A5307	1
USB FULL--Iceland (models)	41A5308	1
USB FULL--Italy (models)	41A5309	1
USB FULL--Japanese (models)	41A5310	1
USB FULL--Korean (models)	41A5311	1
USB FULL--LA Spanish (models D3S D3D D3Y D4S D4D D4Y D5S D5D D5Y D6S D6D D6Y)	41A5312	1
USB FULL--Norwegian (models)	41A5313	1
USB FULL--Polish (models)	41A5314	1
USB FULL--Portugese (models)	41A5315	1
USB FULL--Romanian (models)	41A5317	1
USB FULL--Russian/Cyrillic (models)	41A5318	1
USB FULL--Serbian/Cyrillic (models)	41A5319	1
USB FULL--Slovak (models)	41A5320	1
USB FULL--Spanish (models)	41A5321	1
USB FULL--Swedish/Finnish (models)	41A5322	1
USB FULL--Swiss F/G (models)	41A5323	1
USB FULL--Thailand (models)	41A5324	1
USB FULL--Turkish (models)	41A5325	1

<b>9935 Keyboards (Lenovo Preferred Pro USB -- without hub)</b>	<b>FRU#</b>	<b>CRU Tier</b>
USB FULL--Turkish (models)	41A5326	1
USB FULL--UK English (models)	41A5327	1
USB FULL--US Euro (models)	41A5328	1
USB FULL--Slovenian (models)	41A5329	1

<b>9935 Keyboards (Lenovo Fingerprint Reader USB)</b>	<b>FRU#</b>	<b>CRU Tier</b>
US English (models)	41R0038	1
Arabic (models)	41R0039	1
Arabic/French (models)	41R0040	1
Belgian/French (models)	41R0041	1
Belgium English (models)	41R0042	1
Brazilian Portuguese (models)	41R0043	1
Bulgarian (models)	41R0044	1
Chinese/US (models)	41R0045	1
Czech (ABB) (models)	41R0046	1
Danish (models)	41R0047	1
Dutch (models)	41R0048	1
French (models)	41R0049	1
French Canadian (models)	41R0050	1
French Canadian (models)	41R0051	1
German (models)	41R0052	1
Greek (models)	41R0053	1
Greek/US (models)	41R0054	1
Hebrew (models)	41R0055	1
Hungarian (models)	41R0056	1
Iceland (models)	41R0057	1
Italy (models)	41R0058	1
Japanese (models)	41R0059	1
Korean (models)	41R0060	1
LA Spanish (models)	41R0061	1
Norwegian (models)	41R0062	1
Polish (models)	41R0063	1
Portuguese (models)	41R0064	1
Romanian (models)	41R0065	1
Romanian (models)	41R0066	1
Russian/Cyrillic (models)	41R0067	1
Serbian/Cyrillic (models)	41R0068	1
Slovak (models)	41R0069	1

<b>9935 Keyboards (Lenovo Fingerprint Reader USB)</b>	<b>FRU#</b>	<b>CRU Tier</b>
Spanish (models)	41R0070	1
Swedish/Finnish (models)	41R0071	1
Swiss F/G (models)	41R0072	1
Thailand (models)	41R0073	1
Turkish (models)	41R0074	1
Turkish (models)	41R0075	1
UK English (models)	41R0076	1
US Euro (models)	41R0077	1
Slovenian (models)	41R0078	1

<b>9935 Keyboards (Lenovo Preferred Pro PS/2 Full Size)</b>	<b>FRU#</b>	<b>CRU Tier</b>
PS/2 Full--US English (models)	41A5039	1
PS/2 Full--Arabic (models)	41A5040	1
PS/2 Full--Arabic/French (models)	41A5041	1
PS/2 Full--Belgian/French (models)	41A5042	1
PS/2 Full--Belgium English (models)	41A5043	1
PS/2 Full--Brazilian Portuguese (models)	41A5044	1
PS/2 Full--Bulgarian (models)	41A5045	1
PS/2 Full--Chinese/US (models)	41A5046	1
PS/2 Full--Czech (ABB) (models)	41A5047	1
PS/2 Full--Danish (models)	41A5048	1
PS/2 Full--Dutch (models)	41A5049	1
PS/2 Full--French (models)	41A5050	1
PS/2 Full--French Canadian (models)	41A5051	1
PS/2 Full--French Canadian (models)	41A5052	1
PS/2 Full--German (models)	41A5053	1
PS/2 Full--Greek (models)	41A5054	1
PS/2 Full--Greek/US (models)	41A5080	1
PS/2 Full--Hebrew (models)	41A5055	1
PS/2 Full--Hungarian (models)	41A5056	1
PS/2 Full--Iceland (models)	41A5057	1
PS/2 Full--Italy (models)	41A5058	1
PS/2 Full--Japanese (models)	41A5059	1
PS/2 Full--Korean (models)	41A5060	1
PS/2 Full--LA Spanish (models)	41A5061	1
PS/2 Full--Norwegian (models)	41A5062	1
PS/2 Full--Polish (models)	41A5063	1
PS/2 Full--Portugese (models)	41A5064	1

<b>9935 Keyboards (Lenovo Preferred Pro PS/2 Full Size)</b>	<b>FRU#</b>	<b>CRU Tier</b>
PS/2 Full--Romanian (models)	41A5065	1
PS/2 Full--Russian/Cyrillic (models)	41A5066	1
PS/2 Full--Serbian/Cyrillic (models)	41A5067	1
PS/2 Full--Slovak (models)	41A5068	1
PS/2 Full--Spanish (models)	41A5069	1
PS/2 Full--Swedish/Finnish (models)	41A5070	1
PS/2 Full--Swiss F/G (models)	41A5071	1
PS/2 Full--Thailand (models)	41A5072	1
PS/2 Full--Turkish (models)	41A5073	1
PS/2 Full--Turkish (models)	41A5074	1
PS/2 Full--UK English (models)	41A5075	1
PS/2 Full--US Euro (models)	41A5076	1
PS/2 Full--Slovenian (models)	41A5077	1

<b>9935 mice</b>	<b>FRU#</b>	<b>CRU</b>
Optical Wheel Mouse (400DPI, USB) (models 99G A7H A8V A9V A4V A5V A6V A2V A3C A1V B1U B1F B2U B2F B3U B3F B4U B4F B5U B5F B6U B6F B7U B7F D1U D1F D3U D3F D3S D3D D3Y D4U D4F D4S D4D D4Y D5U D5F D5S D5D D5Y D6U D6F D6S D6D D6Y)	41U3013	1
Optical Wheel Mouse (400DPI, USB) (models 99G A7H A8V A9V A4V A5V A6V A2V A3C A1V B1U B1F B2U B2F B3U B3F B4U B4F B5U B5F B6U B6F B7U B7F D1U D1F D3U D3F D3S D3D D3Y D4U D4F D4S D4D D4Y D5U D5F D5S D5D D5Y D6U D6F D6S D6D D6Y)	41U3030	1
PS/2 Three Button ball mouse (41R0017) (models)	41R0018	1

<b>9935 Adapters and miscellaneous FRUs</b>	<b>FRU#</b>	<b>CRU</b>
Internal USB Memory Card Reader floppy bay (models)	41R3378	2
Internal 20 in 1 USB Memory Card Reader (models)	45R8139	1
NVIDIA GeForce 9300 GE 256M Full Height (DVI+VGA) (TOWER) (models CTO)	45R5494	2
ATI HD 2600XT 512MB 128BIT ATX (models)	43C0261	2
IEEE 1394 Firewire Adapter SFF (models)	41D2781	2
IEEE 1394 Firewire Adapter ATX (models)	41D2781	2
Soft Modem V.90/V.44 SFF (models)	29R9729	2
Soft Modem V.90/V.44 ATX (models)	29R9729	2
ATI HD 2400PRO 128MB 64BIT DMS59 LP (models)	43C0259	2
ATI HD 2400PRO 128MB 64BIT DMS59 ATX (models)	43C0259	2
ATI HD 2400XT 256MB 64BIT DMS59 ATX Secondary (models)	46R4160	2
Speaker Power brick - US, Canada, LA low voltage, ASEAN (models B1U B2U B3U B4U B5U B6U B7U)	89P8571	1
Speaker Power brick - LA high voltage (non-APU) (models)	89P8575	1
Speaker Power brick - SIMPLIFIED -CHN, Thailand EMEA(models A3C )	89P8581	1
Speaker Power brick - Japan (models)	89P8577	1



<b>9935 Adapters and miscellaneous FRUs</b>	<b>FRU#</b>	<b>CRU</b>
Speaker Power brick - Brazil (models)	89P8583	1
Speaker Power brick - Argentina (models)	41A4901	1
Speaker Power brick - ANZ (models)	89P8579	1
Speaker Power brick - Korean (models)	41A4903	1
Speaker Power brick - Hong Kong, EMEA (models)	89P8573	1
Speaker Power brick -TAIWAN-TC (models A8V A9V A4V A5V A6V A2V)	41A4905	1
Speaker Power brick - India, South Africa (models)	89P8585	1
Dongle DMS Dule DMS-59 to dual VGA Cable (models)	42Y8181	2
Dongle DMS Dule DMS-59 to dual DVI Cable (models)	41X6398	2
Dongle DMS Dule DMS-59 to single VGA & single DVI Cable (models)	42Y8183	2
2-pc external speaker--primary (models)	41A5331	1
2-pc external speaker-secondary (models)	41A5334	1
DVI-I(M)-VGA(F) cord (models)	41R3342	2
Battery 3V- Lithium (models 99G A7H A8V A9V A4V A5V A6V A2V A3C A1V B1U B1F B2U B2F B3U B3F B4U B4F B5U B5F B6U B6F B7U B7F D1U D1F D3U D3F D3S D3D D3Y D4U D4F D4S D4D D4Y D5U D5F D5S D5D D5Y D6U D6F D6S D6D D6Y)	45C1566	1
HD 3470 256M 64bit DP ATX/LP (models)	46R1521	2
DP to DVI dongle (models)	43N9160	2
Bitland 88E8075 1000M PCIE DASH NIC FH (R)(Rocky) (models)	53Y4008	2
AMD Display Port card LP® (Rocky) (models)	53Y4002	1
MSI 9500GT 512MB 128BIT ATX (TOWER) (models)	46R1524	2

<b>9935 Power Cords</b>	<b>FRU#</b>	<b>CRU</b>
Power cord - US (models B1U B1F B2U B2F B3U B3F B4U B4F B5U B5F B6U B6F B7U B7F D1U D1F D3U D3F D3S D3Y D4U D4F D4S D4Y D5U D5F D5S D5Y D6U D6F D6S D6Y)	41R3184	1
Power cord - US (models B1U B1F B2U B2F B3U B3F B4U B4F B5U B5F B6U B6F B7U B7F D1U D1F D3U D3F D3S D3Y D4U D4F D4S D4Y D5U D5F D5S D5Y D6U D6F D6S D6Y)	41R3185	1
Power cord - China (models A3C)	41R3256	1
Power cord - China (models A3C)	41R3257	1
Power cord - Japanese and Japanese English (models)	41R3248	1
Power cord - Japanese and Japanese English (models)	41R3249	1
Power cord - Brazil (Portigese) (models)	41R3270	1
Power cord - Brazil (Portigese) (models)	41R3271	1
Power cord - LA High Volt (APU) (models)	41R3176	1
Power cord - LA High Volt (APU) (models)	41R3177	1
Power cord - ANZ (models)	41R3196	1
Power cord - ANZ (models)	41R3197	1
Power cord - Korea (models)	41R3260	1
Power cord - Korea (models)	41R3261	1
Power cord - UK, Ireland, Singapore, Malaysia, Brunei, Hongkong (models A7H)	41R3224	1

<b>9935 Power Cords</b>	<b>FRU#</b>	<b>CRU</b>
Power cord - UK, Ireland, Singapore, Malaysia, Brunei, Hongkong (models A7H)	41R3225	1
Power cord - Taiwan (models A8V A9V A4V A5V A6V A2V)	41R3278	1
Power cord - Taiwan (models A8V A9V A4V A5V A6V A2V )	41R3279	1
Power cord - Italy (models)	41R3232	1
Power cord - Italy (models)	41R3233	1
Power cord - Indonesia, Laos, Cambodia, Vietnam, Austria, Belgium, Croatia, Czechoslovakia, Finland, France, Germany, Hungary, Netherlands, Norway, Poland, Portugal, Romania, Spain, Sweden (models B1U B1F B2U B2F B3U B3F B4U B4F B5U B5F B6U B6F B7U B7F D1U D1F D3U D3F D3S D3Y D4U D4F D4S D4Y D5U D5F D5S D5Y D6U D6F D6S D6Y)	41R3208	1
Power cord - Indonesia, Laos, Cambodia, Vietnam, Austria, Belgium, Croatia, Czechoslovakia, Finland, France, Germany, Hungary, Netherlands, Norway, Poland, Portugal, Romania, Spain, Sweden (models B1U B1F B2U B2F B3U B3F B4U B4F B5U B5F B6U B6F B7U B7F D1U D1F D3U D3F D3S D3Y D4U D4F D4S D4Y D5U D5F D5S D5Y D6U D6F D6S D6Y)	41R3209	1
Power cord - Denmark (models)	41R3212	1
Power cord - Denmark (models)	41R3213	1
Power cord - Switzerland (models)	41R3228	1
Power cord - Switzerland (models)	41R3229	1
Power cord - Israel (models)	41R3236	1
Power cord - Israel (models)	41R3237	1
Power cord - South Africa (models)	41R3220	1
Power cord - South Africa (models)	41R3221	1
Power cord - India (models)	41R3341	1
Power cord - India (models)	41R3175	1
Power cord - Thailand (models)	43N9029	1
Power cord - Thailand (models)	43N9030	1
Power cord - Brazil (models)	43N9044	1

<b>9935 Windows XP Home Recovery CDs</b>	<b>FRU#</b>	<b>CRU</b>
US English/UK/Asia Pacific (models)	TBD	1
French/French Canadian (models)	TBD	1
Greek (models)	TBD	1
Italy (models)	TBD	1
Brazilian (models)	TBD	1
Spanish/LA (models)	TBD	1
Danish (models)	TBD	1
Dutch (models)	TBD	1
Arabic (models)	TBD	1
SV (Swedish) (models)	TBD	1
Hebrew (models)	TBD	1
Finnish (models)	TBD	1
Norwegian (models)	TBD	1

<b>9935 Windows XP Home Recovery CDs</b>	<b>FRU#</b>	<b>CRU</b>
Polish (models)	TBD	1
Portugese (models)	TBD	1
Russian (models)	TBD	1
Russian English (models)	TBD	1
Hungarian (models)	TBD	1
Czech (models)	TBD	1
Turkish native (models)	TBD	1
Greek (models)	TBD	1
Japanese (models)	TBD	1
Simplified Chinese (models)	TBD	1
Taiwan-TC (models)	TBD	1
Hong Kong-TC (models)	TBD	1
Korean (models)	TBD	1

<b>9935 Windows XP Pro Recovery CDs</b>	<b>FRU#</b>	<b>CRU</b>
English (models B1U B2U B3U B4U B5U B6U B7U)	64Y5588	1
Japanese (models)	64Y6202	1
Simplified Chinese (models)	64Y5590	1
Spanish (models)	64Y5591	1
French (models B1F B2F B3F B4F B5F B6F B7F)	64Y5592	1
Italian (models)	64Y5593	1
Brazilian Portuguese (models)	64Y5594	1
German (models)	64Y5595	1
Hong Kong (models)	64Y5596	1
Swedish (models)	64Y5597	1
Danish (models)	64Y5598	1
Norway (models)	64Y5599	1
Finland (models)	64Y5600	1
Arabic (models)	64Y5601	1
Traditional Chinese (models)	64Y5602	1
Russian (models)	64Y5603	1
Polish (models)	64Y5604	1
Hebrew (models)	64Y5605	1
Korea (models)	64Y5606	1
Greek (models)	64Y5607	1
Turkish (models)	64Y5608	1
Dutch (models)	64Y5609	1
Slovenian (models)	64Y5610	1
Hungarian (models)	64Y5611	1

<b>9935 Windows XP Pro Recovery CDs</b>	<b>FRU#</b>	<b>CRU</b>
Czech (models)	64Y5612	1
Portuguese (models)	64Y5613	1
Russian English (models)	64Y5614	1
MUI Nordics (EN-DK-FI-NO-SV) (models)	64Y5560	1
MUI Switz (EN-FR-GR-IT) (models)	64Y5561	1
MUI Bel-Lux (EN-FR-GR-NL) (models)	64Y5562	1

<b>9935 Vista Home Basic 32 Recovery CDs</b>	<b>FRU#</b>	<b>CRU</b>
US English (models)	46R8053	1
French (models)	46R8057	1
German (models)	46R8060	1
Spanish (models)	46R8056	1
Brazilian (models)	46R8059	1
Italian (models)	46R8058	1
Japanese (models)	64Y6207	1
Dutch (models)	46R8070	1
Czech (models)	46R8074	1
Polish (models)	46R8065	1
Russian (models)	46R8064	1
Turkish (models)	46R8069	1
Hungarian (models)	46R8073	1
Greek (models)	46R8068	1
Portuguese (models)	46R8077	1
Hong Kong (models)	46R8061	1
Traditional Chinese (models)	46R8063	1
Korean (models)	46R8067	1
Slovenian (models)	46R8071	1
Russian English (models)	46R8078	1
Hebrew (models)	46R8066	1
Arabic Localized (models)	46R8062	1
Slovakian (models)	46R8075	1
Simplified Chinese (models)	46R8055	1
Serbian-Latin (models)	46R8076	1
Romanian (models)	46R8072	1
Belgium-Luxembourg (models)	53Y4230	1
Switzerland (models)	53Y4231	1
Nordics (models)	53Y4232	1

<b>9935 Vista Business 32 Recovery CDs</b>	<b>FRU#</b>	<b>CRU</b>
US English (models 99G A7H D1U D3U D4U D5U D6U)	46R8079	1
French (models 99G D1F D3F D4F D5F D6F)	46R8083	1
German (models)	46R8086	1
Spanish (models)	46R8082	1
Brazilian (models)	46R8085	1
Italian (models)	46R8084	1
Japanese (models)	64Y6205	1
English for Indian (models)	64Y9435	1
Dutch (models)	46R8096	1
Czech (models)	46R8100	1
Polish (models)	46R8091	1
Russian (models)	46R8090	1
Turkish (models)	46R8095	1
Hungarian (models)	46R8099	1
Greek (models)	46R8094	1
Portuguese (models)	46R8103	1
Simplified Chinese (models A3C )	46R8081	1
Hong Kong (models)	46R8087	1
Traditional Chinese (models A8V A9V A4V A5V A6V)	46R8089	1
Korean (models)	46R8093	1
Slovenian (models)	46R8097	1
Russian English (models)	46R8104	1
Romanian (models)	46R8098	1
Sebian-Latin (models)	46R8102	1
Hebrew (models)	46R8092	1
Arabic Localized (models)	46R8088	1
Slovakian (models)	46R8101	1
Belgium-Luxembourg (models 99G A7H D1U D3U D4U D5U D6U)	53Y4233	1
Switzerland (models 99G A7H D1U D3U D4U D5U D6U)	53Y4234	1
Nordics (models 99G)	53Y4235	1

<b>9935 Vista Premium 32 Recovery CDs</b>	<b>FRU#</b>	<b>CRU</b>
US English (models)	46R8141	1
French (models)	46R8143	1
German (models)	46R8144	1
Spanish (models)	46R8145	1
Italian (models)	46R8146	1
Japanese (models)	64Y6208	1
Hong Kong (models)	46R8147	1

<b>9935 Vista Premium 32 Recovery CDs</b>	<b>FRU#</b>	<b>CRU</b>
Korean (models)	46R8148	1
Athens Vista SP1 MUL 1 P/N's VHP32 (EN FR GR NL) (models)	53Y4236	1
Athens Vista SP1 MUL 2 P/N's VHP32 (EN FR GR IT) (models)	53Y4237	1
Athens Vista SP1 MUL 3P/N's VHP32 (EN DK FI NO SV) (models)	53Y4238	1

<b>9935 Vista Business 64 Recovery CDs</b>	<b>FRU#</b>	<b>CRU</b>
US English (models)	46R8131	1
French (models)	46R8134	1
German (models)	46R8135	1
Japanese (models)	64Y6210	1
Simplified Chinese (models)	46R8133	1

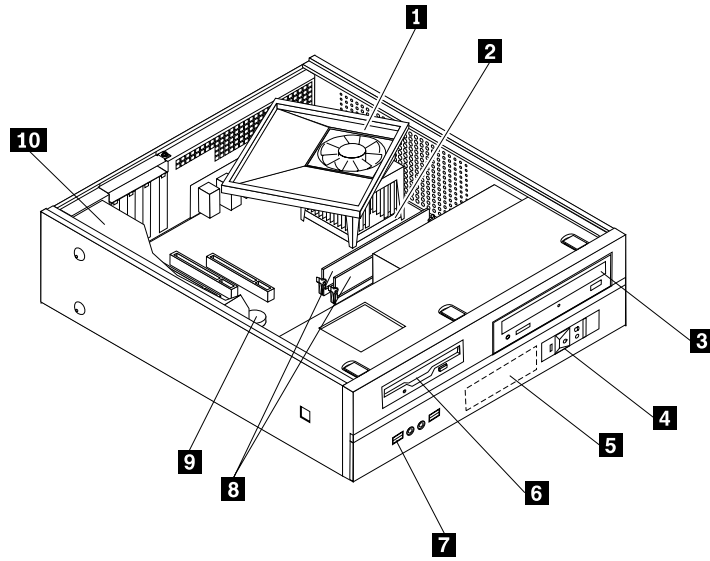
<b>9935 Vista Ultimate 32 Recovery CDs</b>	<b>FRU#</b>	<b>CRU</b>
US English (models)	46R8149	1
Japanese (models)	64Y6209	1
French (models)	46R8151	1
German (models)	46R8152	1
Spanish (models)	46R8153	1
Italian (models)	46R8154	1
Hong Kong (models)	46R8155	1
Arabic Localized (models)	46R8156	1
Athens Vista SP1 MUL 1 P/N's VU32 (EN DK FI NO SV) (models)	53Y4239	1

<b>9935 Vista Starter 32 Recovery CDs</b>	<b>FRU#</b>	<b>CRU</b>
English (models)	46R8052	1

<b>9935 Vista Home Premium 64 Recovery CDs</b>	<b>FRU#</b>	<b>CRU</b>
US (models)	71Y6634	1
French (models)	71Y6635	1

<b>9935 Win7 Professional 32</b>	<b>FRU#</b>	<b>CRU</b>
Brazilian Portuguese (all models)	89Y0454	1

## Machine Type 9945



Item #	9945 FRUs	FRU#	CRU
1	AMD 89W&65W 4Pin heatsink (all models)	41R6407	2
2	Microprocessor, Athlon64 4800+ X2 (2.50GHz, 1M L2, 65W) G1 65nm (models)	43C4093	N
2	Microprocessor, Athlon64 5000+ X2 (2.60GHz, 1M L2, 65W) G1 65nm (models)	41X1427	N
2	Microprocessor, Athlon 1640B (2.70GHz, 512K L2, 45W) G2 65nm (models A5U A5F A5S A5D A5Y)	45R6488	N
2	Microprocessor, Athlon64 5200+ AM2 X2 (2.7 GHz processor, 65W) stepping G1 65nm (models)	45C7502	N
2	Microprocessor, Athlon64 5400B X2(2.80GHz, 1M L2, 65W) G2 65nm (models A8U A8F A8S A8D A8Y)	45R6486	N
2	Microprocessor, Athlon64 5600+ X2 (2.90GHz, 1M L2, 89W) G2 65nm (models)	45C7504	N
2	Microprocessor, Athlon X2 BE 2350 (2.1GHz processor, 45W, 1MB L2) steping G1 (models)	43C6166	N
2	Microprocessor, Athlon X2 BE 2400 (2.3GHz processor, 45W, 1MB L2) steping G1 (models)	43C6165	N
2	Microprocessor, Athlon 4450B X2 (2.30GHz, 1M L2, 45W) G2 65nm (models)	46R3624	N
2	Microprocessor, Athlon 5000B X2 (2.60GHz, 1M L2, 65W) G2 65nm (models A3U A3F A7U A7F A7S A7D A7Y)	46R3625	N
2	Microprocessor, Athlon 5200B X2 (2.70GHz, 1M L2, 65W) G2 65nm (models)	46R3626	N
2	Microprocessor, Athlon LE-1660 (2.8 GHz, 512K L2, 45W) G2 65nm (models CTO)	53Y7722	N
2	Microprocessor, Athlon X2 5600B (2.9 GHz, 1M L2, 65W) G2 65nm (models CTO)	53Y7718	N
2	Microprocessor, Athlon64 X2 6000+ (3.1 GHz, 1M L2, 89W) G2 65nm (models CTO)	53Y7720	N
2	Microprocessor, Athlon II X2 240 (2.8GHz, 2M Total Cache, AM3, 65W) C2 45nm (models 91Z)	64Y8012	N
2	Microprocessor, Athlon II X2 245 (2.9GHz, 2M Total Cache, AM3, 65W) C2 45nm (models 91Z)	64Y8013	N

Item #	9945 FRUs	FRU#	CRU
2	Microprocessor, Athlon II X3 435 (2.9GHz, 1.5M Total Cache, AM3, 95W) C2 45nm (models 91Z)	64Y8020	N
2	Microprocessor, Phenom II X2 550 (3.1GHz, 7M Total Cache, AM3, 80W) C2 45nm (models 91Z)	64Y8024	N
2	Microprocessor, Phenom II X2 555 (3.2 GHz, 7M Total Cache, AM3, 80W) C3 45nm (models 91Z)	89Y0793	N
2	Microprocessor, Phenom II X3 720 (2.8GHz, 7.5M Total Cache, AM3, 95W) C2 45nm (models 91Z)	64Y8030	N
2	Microprocessor, Phenom II X4 910 (2.6GHz, 8M Total Cache, AM3, 95W) C2 45nm (models 91Z)	64Y8035	N
2	Microprocessor, Sempron LE-1250 (2.20GHz, 512K L2, 45W) G2 65nm (models)	43C6168	N
2	Microprocessor, Sempron LE-1300 (2.30GHz, 512K L2, 45W) G2 65nm (models A1V A6U A6F A6S A6D A6Y)	43C8986	N
2	Microprocessor, Sempron 2100 X2 (1.80GHz, 512K L2, 65W) G2 65nm (models)	46R3629	N
2	Microprocessor, Sempron 2200 X2 (2.00GHz, 512K L2, 65W) G2 65nm (models)	46R3630	N
2	Microprocessor, Sempron X2 2300 (2.2GHz, 512K L2, 65W) G2 65nm (models CTO)	53Y7724	N
2	Microprocessor, Sempron 140 (2.7GHz, 1M Total Cache, AM3, 45W) C2 45nm (models 91Z)	71Y6414	N
2	Microprocessor, Phenom 8600B (2.30GHz, 1.5M L2, 2M L3, 95W) stepping B2 65nm (models A9U A9F A9S A9D A9Y)	45R6494	N
2	Microprocessor, Phenom 9550 (2.20GHz, 2M L2, 2M L3, 95W) stepping B3 65nm (models)	45R6496	N
2	Microprocessor, Phenom 9650 (2.30GHz, 2M L2, 2M L3, 95W) stepping B3 65nm (models)	45R6498	N
2	Microprocessor, Phenom 9600B (2.30GHz, 2M L2, 2M L3, 95W) stepping B2 65nm (models A2V)	45R6500	N
2	Microprocessor, Phenom 8450 (2.10GHz, 1.5M L2, 2M L3, 95W) B3 65nm (models CTO)	45R6490	N
2	Microprocessor, Phenom X3 8600B (2.3GHz, 1.5M L2, 2M L3, 95W) B3 65nm (models)	45R6494	N
2	Microprocessor, Phenom 9550 (2.20GHz, 2M L2, 2M L3, 95W) stepping B3 65nm (models CTO)	53Y7709	N
2	Microprocessor, Phenom X4 9750B (2.4 GHz, 512K / 2M L2, 95W) B3 65nm (models CTO)	53Y7711	N
3	DVD-ROM Drive - 16x/48x - SATA Vista & non-Vista (models A1V A2V A5U A5F A5S A5D A5Y A7U A7F A7S A7D A7Y)	41N3325	2
3	DVD-ROM Drive - 16x/48x - With DVD playback software (models A1V A2V A5U A5F A5S A5D A5Y A7U A7F A7S A7D A7Y)	71Y5543	2
3	DVD Recordable/CD-RW Rambo 8 - SATA Vista & non-Vista (models A3U A3F )	43C1042	2
3	DVD-RW/CD-RW Rambo 8 - With write software (models A3U A3F )	71Y5545	2
4	Front Power/LED PC, bracket, and cable (all models)	41N8213	2
5	Hard disk drive, 80GB, 7200RPM, SATA (models)	40Y9034	2
5	Hard disk drive, 160GB, 7200RPM, SATA (models A3U A3F A5U A5F A5S A5D A5Y A6U A6F A6S A6D A6Y A7U A7F A7S A7D A7Y A8U A8F A8S A8D A8Y A9U A9F A9S A9D A9Y)	40Y9035	2



Item #	9945 FRUs	FRU#	CRU
5	Hard disk drive, SATA 160GB 7200RPM/3Gb/8MB (models A3U A3F A5U A5F A5S A5D A5Y A6U A6F A6S A6D A6Y A7U A7F A7S A7D A7Y A8U A8F A8S A8D A8Y A9U A9F A9S A9D A9Y)	53Y6837	2
5	Hard disk drive, SATA 250GB 7200RPM/3Gb/8MB (models A1V A2V)	45K0408	2
5	Hard disk drive, SATA 320GB 7200rpm SATA/8MB (models)	45K0409	2
5	Hard disk drive, SATA 500GB 7200RPM/3Gb/s/8MB (models)	45K0410	2
5	Hard disk drive, 250GB, 7200RPM, SATA (models A1V A2V)	40Y9036	2
5	Hard disk drive, 320GB 7200rpm SATA/8MB (models)	87H4891	2
5	Hard disk drive, SATA 500GB 7200RPM/3Gb/s/8MB (models)	41X5582	2
6	Diskette drive, 3.5" 1.44MB 2 Mode FDD with Bezel and cable (models)	40Y9105	2
6	Diskette drive, 3.5" 1.44MB 2 Mode FDD with Bezel and cable (models)	40Y9107	2
7	Front USB/Audio with bracket (all models)	41N8212	2
8	Memory module, 512 MB PC2-5300 (667MHz) DDR2 SDRAM (models)	41X4255	2
8	Memory module, 512MB PC2-6400 (800MHz) DDR2 SDRAM (models)	41X1079	2
8	Memory module, 1GB PC2-6400 (667MHz) DDR2 SDRAM (models)	41X1080	2
8	Memory module, 2GB PC2-6400 (667MHz) DDR2 SDRAM (models A3U A3F)	41X1081	2
9	System board, Planar AMD RS780 mATX (TOWER & ROCKYS) (models A1V A2V A3U A3F A5U A5F A5S A5D A5Y A6U A6F A6S A6D A6Y A7U A7F A7S A7D A7Y A8U A8F A8S A8D A8Y A9U A9F A9S A9D A9Y)	71Y5724	N
9	System board, Planar AMD RS780 mATX GA Level - TPM Disable for Russia (models)	71Y4994	N
9	System board, Planar AMD RS780 mATX GA Level - Support Phenom II X2 555 (models 91Z)	89Y1346	N
9	System board, Planar AMD RS780 mATX GA Level -Support Win7 and AM3 C2 CPU (models 91Z)	89Y1809	N
10	Power Supply, ATX 280 Watt world wide (models A1V A2V A3U A3F A5U A5F A5S A5D A5Y A6U A6F A6S A6D A6Y A7U A7F A7S A7D A7Y A8U A8F A8S A8D A8Y A9U A9F A9S A9D A9Y)	41A9684	2
10	Power Supply, ATX 280 Watt 80% world wide and Japan (models A1V A2V A3U A3F A5U A5F A5S A5D A5Y A6U A6F A6S A6D A6Y A7U A7F A7S A7D A7Y A8U A8F A8S A8D A8Y A9U A9F A9S A9D A9Y)	41A9665	2
10	Power Supply, ATX 310 Watt world wide and Japan (models A1V A2V A3U A3F A5U A5F A5S A5D A5Y A6U A6F A6S A6D A6Y A7U A7F A7S A7D A7Y A8U A8F A8S A8D A8Y A9U A9F A9S A9D A9Y)	41A9726	2
10	Power Supply, 220 Watt world wide (models A1V A2V A3U A3F A5U A5F A5S A5D A5Y A6U A6F A6S A6D A6Y A7U A7F A7S A7D A7Y A8U A8F A8S A8D A8Y A9U A9F A9S A9D A9Y)	41A9689	N
10	Power Supply, 220 Watt only for Japan (models)	41A9697	N
10	Power Supply, 220 Watt 80% world wide and Japan (models A1V A2V A3U A3F A5U A5F A5S A5D A5Y A6U A6F A6S A6D A6Y A7U A7F A7S A7D A7Y A8U A8F A8S A8D A8Y A9U A9F A9S A9D A9Y)	41A9670	N
10	Power Supply, 280 Watt TFX Active PFC, world wide and Japan (models A1V A2V A3U A3F A5U A5F A5S A5D A5Y A6U A6F A6S A6D A6Y A7U A7F A7S A7D A7Y A8U A8F A8S A8D A8Y A9U A9F A9S A9D A9Y)	41A9705	N

The FRUs listed in the following tables are not illustrated.

9945 FRUs	FRU#	CRU
Asm, Spkr, Soldered Terminals (all models)	39P5023	2
Cover (all models)	41N8050	2
Asm, Power Switch/LED (TOWER) (all models)	41N5284	2
Front Audio/USB Asm (all models)	41N8054	2
Retainer, Card Reader (all models)	41R2913	2
Front Fan AVC (all models)	41R4791	2
ASM BEZEL, WITHOUT IBM MARK (all models)	41R6243	2
sysfan for Tamdhull (TOWER) (all models)	41R6269	2
HDD Tray (all models)	41R6291	2
FDD cable, 325mm, (all models)	41A7182	2
Cabel -SATA 457mm (RoHS) (all models)	43N9013	2
Cabel-SATA 250mm (RoHS) (all models)	43N9012	2
EMC Shield, Blank 5.25 (all models)	41N8271	2
EMC Shield, Blank FDD (all models)	41N8273	2
Rear Com2 cable II LP (ROCKYS) (all models)	42Y8008	2
Rear USB 2Ports II LP (all models)	42Y8006	2
Foot stand ASM for ACE rockys3 (ROCKYS) (all models)	41R4813	2
Instruction switch Asm (ROCKYS) (all models)	41R6208	2
RM Asm, AMD (ROCKYS) (all models)	41R2507	2
Temp Sense Cable (165 mm) (all models)	43N9079	2
Cable, MINI,COM2 CABLE(ROHS) (all models)	41R6198	2
Speaker Cable Asm, 600 mm cable length (ROCKYS) (all models)	41N8217	2
HDD Fan and bracket asm, Apollo (ROCKYS) (all models)	41R6325	2
HDD Bracket Asm (plastic and grommets) (ROCKYS) (all models)	41N8210	2
Misc Hardware Kit (ROCKYS) (all models)	41N8209	2
Bezel kit, Rocky S3 without IBM logo (ROCKYS) (all models)	41R6238	2
Mechanical shell kit, Rocky S4 for Athens (all models)	43N9374	2
Cover, Rocky S3 (ROCKYS) (all models)	41N8204	2
Optional HDD Bracket Asm (all models)	41R6106	2
EMC Shield (all models)	41N8080	2
EMC Shield (all models)	41N8078	2
FDD Cable (ROCKYS) (all models)	41A7147	2
Fru rear IO shield ATX,for RX 780,Atlantic (all models)	41R6383	N
Intrusion Switch Asm Tamdhu (all models)	41R6116	2
Temp Sense cable for Armstrong (all models)	41R2509	2
Blank 5.25" Bezel (all models)	41N8077	2
Asm Chassis Without IBM Mark Atlantic (all models)	41R6408	2
ODD/FDD/Cardreader Retainers, Tamdhu (all models)	43N9351	2

<b>9945 FRUs</b>	<b>FRU#</b>	<b>CRU</b>
AMD thermal KIT, Athens (all models)	41R6407	2
FRU, Cable Clip, FW-6D (all models)	43N9462	2

<b>9945 Keyboards (Lenovo Preferred Pro USB -- without hub)</b>	<b>FRU#</b>	<b>CRU Tier</b>
USB FULL--US English (models A3U A5U A6U A7U A8U A9U)	41A5289	1
USB FULL--Arabic (models)	41A5290	1
USB FULL--Arabic/French (models)	41A5291	1
USB FULL--Belgian/French (models)	41A5292	1
USB FULL--Belgium English (models)	41A5293	1
USB FULL--Brazilian Portuguese (models)	41A5294	1
USB FULL--Bulgarian (models)	41A5295	1
USB FULL--Chinese/US (models A1V A2V)	41A5296	1
USB FULL--Czech (ABB) (models)	41A5297	1
USB FULL--Danish (models)	41A5298	1
USB FULL--Dutch (models)	41A5299	1
USB FULL--French (models)	41A5300	1
USB FULL--French Canadian (models A3F A5F A6F A7F A8F A9F)	41A5301	1
USB FULL--French Canadian (models A3F A5F A6F A7F A8F A9F)	41A5302	1
USB FULL--German (models)	41A5303	1
USB FULL--Greek (models)	41A5304	1
USB FULL--Greek/US (models)	41A5305	1
USB FULL--Hebrew (models)	41A5306	1
USB FULL--Hungarian (models)	41A5307	1
USB FULL--Iceland (models)	41A5308	1
USB FULL--Italy (models)	41A5309	1
USB FULL--Japanese (models)	41A5310	1
USB FULL--Korean (models)	41A5311	1
USB FULL--LA Spanish (models A5S A5D A5Y A6S A6D A6Y A7S A7D A7Y A8S A8D A8Y A9S A9D A9Y)	41A5312	1
USB FULL--Norwegian (models)	41A5313	1
USB FULL--Polish (models)	41A5314	1
USB FULL--Portugese (models)	41A5315	1
USB FULL--Romanian (models)	41A5317	1
USB FULL--Russian/Cyrillic (models)	41A5318	1
USB FULL--Serbian/Cyrillic (models)	41A5319	1
USB FULL--Slovak (models)	41A5320	1
USB FULL--Spanish (models)	41A5321	1
USB FULL--Swedish/Finnish (models)	41A5322	1
USB FULL--Swiss F/G (models)	41A5323	1

<b>9945 Keyboards (Lenovo Preferred Pro USB -- without hub)</b>	<b>FRU#</b>	<b>CRU Tier</b>
USB FULL--Thailand (models)	41A5324	1
USB FULL--Turkish (models)	41A5325	1
USB FULL--Turkish (models)	41A5326	1
USB FULL--UK English (models)	41A5327	1
USB FULL--US Euro (models)	41A5328	1
USB FULL--Slovenian (models)	41A5329	1

<b>9945 Keyboards (Lenovo Fingerprint Reader USB)</b>	<b>FRU#</b>	<b>CRU Tier</b>
US English (models)	41R0038	1
Arabic (models)	41R0039	1
Arabic/French (models)	41R0040	1
Belgian/French (models)	41R0041	1
Belgium English (models)	41R0042	1
Brazilian Portuguese (models)	41R0043	1
Bulgarian (models)	41R0044	1
Chinese/US (models)	41R0045	1
Czech (ABB) (models)	41R0046	1
Danish (models)	41R0047	1
Dutch (models)	41R0048	1
French (models)	41R0049	1
French Canadian (models)	41R0050	1
French Canadian (models)	41R0051	1
German (models)	41R0052	1
Greek (models)	41R0053	1
Greek/US (models)	41R0054	1
Hebrew (models)	41R0055	1
Hungarian (models)	41R0056	1
Iceland (models)	41R0057	1
Italy (models)	41R0058	1
Japanese (models)	41R0059	1
Korean (models)	41R0060	1
LA Spanish (models)	41R0061	1
Norwegian (models)	41R0062	1
Polish (models)	41R0063	1
Portuguese (models)	41R0064	1
Romanian (models)	41R0065	1
Romanian (models)	41R0066	1
Russian/Cyrillic (models)	41R0067	1

<b>9945 Keyboards (Lenovo Fingerprint Reader USB)</b>	<b>FRU#</b>	<b>CRU Tier</b>
Serbian/Cyrillic (models)	41R0068	1
Slovak (models)	41R0069	1
Spanish (models)	41R0070	1
Swedish/Finnish (models)	41R0071	1
Swiss F/G (models)	41R0072	1
Thailand (models)	41R0073	1
Turkish (models)	41R0074	1
Turkish (models)	41R0075	1
UK English (models)	41R0076	1
US Euro (models)	41R0077	1
Slovenian (models)	41R0078	1

<b>9945 Keyboards (Lenovo Preferred Pro PS/2 Full Size)</b>	<b>FRU#</b>	<b>CRU Tier</b>
PS/2 Full--US English (models)	41A5039	1
PS/2 Full--Arabic (models)	41A5040	1
PS/2 Full--Arabic/French (models)	41A5041	1
PS/2 Full--Belgian/French (models)	41A5042	1
PS/2 Full--Belgium English (models)	41A5043	1
PS/2 Full--Brazilian Portuguese (models)	41A5044	1
PS/2 Full--Bulgarian (models)	41A5045	1
PS/2 Full--Chinese/US (models)	41A5046	1
PS/2 Full--Czech (ABB) (models)	41A5047	1
PS/2 Full--Danish (models)	41A5048	1
PS/2 Full--Dutch (models)	41A5049	1
PS/2 Full--French (models)	41A5050	1
PS/2 Full--French Canadian (models)	41A5051	1
PS/2 Full--French Canadian (models)	41A5052	1
PS/2 Full--German (models)	41A5053	1
PS/2 Full--Greek (models)	41A5054	1
PS/2 Full--Greek/US (models)	41A5080	1
PS/2 Full--Hebrew (models)	41A5055	1
PS/2 Full--Hungarian (models)	41A5056	1
PS/2 Full--Iceland (models)	41A5057	1
PS/2 Full--Italy (models)	41A5058	1
PS/2 Full--Japanese (models)	41A5059	1
PS/2 Full--Korean (models)	41A5060	1
PS/2 Full--LA Spanish (models)	41A5061	1
PS/2 Full--Norwegian (models)	41A5062	1

<b>9945 Keyboards (Lenovo Preferred Pro PS/2 Full Size)</b>	<b>FRU#</b>	<b>CRU Tier</b>
PS/2 Full--Polish (models)	41A5063	1
PS/2 Full--Portugese (models)	41A5064	1
PS/2 Full--Romanian (models)	41A5065	1
PS/2 Full--Russian/Cyrillic (models)	41A5066	1
PS/2 Full--Serbian/Cyrillic (models)	41A5067	1
PS/2 Full--Slovak (models)	41A5068	1
PS/2 Full--Spanish (models)	41A5069	1
PS/2 Full--Swedish/Finnish (models)	41A5070	1
PS/2 Full--Swiss F/G (models)	41A5071	1
PS/2 Full--Thailand (models)	41A5072	1
PS/2 Full--Turkish (models)	41A5073	1
PS/2 Full--Turkish (models)	41A5074	1
PS/2 Full--UK English (models)	41A5075	1
PS/2 Full--US Euro (models)	41A5076	1
PS/2 Full--Slovenian (models)	41A5077	1

<b>9945 mice</b>	<b>FRU#</b>	<b>CRU</b>
Optical Wheel Mouse OPT (400DPI, USB) (models A1V A2V A3U A3F A5U A5F A5S A5D A5Y A6U A6F A6S A6D A6Y A7U A7F A7S A7D A7Y A8U A8F A8S A8D A8Y A9U A9F A9S A9D A9Y)	41U3013	1
Optical Wheel Mouse OPT (400DPI, USB) (models A1V A2V A3U A3F A5U A5F A5S A5D A5Y A6U A6F A6S A6D A6Y A7U A7F A7S A7D A7Y A8U A8F A8S A8D A8Y A9U A9F A9S A9D A9Y)	41U3030	1
PS/2 Three Button ball mouse scrollpoint (41R0017) (models)	41R0018	1

<b>9945 Adapters and miscellaneous FRUs</b>	<b>FRU#</b>	<b>CRU</b>
Internal USB Memory Card Reader floppy bay (models)	41R3378	2
Internal 20 in 1 USB Memory Card Reader (models CTO)	45R8139	1
NVIDIA GeForce 9300 GE 256M Full Height (DVI+VGA) (TOWER) (models CTO)	45R5494	2
ATI HD 2600XT 512MB 128BIT ATX (models)	43C0261	2
IEEE 1394 Firewire Adapter SFF (models)	41D2781	2
IEEE 1394 Firewire Adapter ATX (models)	41D2781	2
Soft Modem V.90/V.44 SFF (models)	29R9729	2
Soft Modem V.90/V.44 ATX (models)	29R9729	2
ATI HD 2400PRO 128MB 64BIT DMS59 LP (models)	43C0259	2
ATI HD 2400PRO 128MB 64BIT DMS59 ATX (models)	43C0259	2
ATI HD 2400XT 256MB 64BIT DMS59 LP Secondary (models)	64Y3997	2
Speaker Power brick - US, Canada, LA low voltage, ASEAN (models A3U A5U A6U A7U A8U A9U)	89P8571	1
Speaker Power brick - LA high voltage (non-APU) (models)	89P8575	1

<b>9945 Adapters and miscellaneous FRUs</b>	<b>FRU#</b>	<b>CRU</b>
Speaker Power brick - SIMPLIFIED -CHN, Thailand EMEA(models)	89P8581	1
Speaker Power brick - Japan (models)	89P8577	1
Speaker Power brick - Brazil (models)	89P8583	1
Speaker Power brick - Argentina (models)	41A4901	1
Speaker Power brick - ANZ (models)	89P8579	1
Speaker Power brick - Korean (models)	41A4903	1
Speaker Power brick - Hong Kong, EMEA (models)	89P8573	1
Speaker Power brick -TAIWAN-TC (models A1V A2V)	41A4905	1
Speaker Power brick - India, South Africa (models)	89P8585	1
Dongle DMS Dule DMS-59 to dual VGA Cable (models)	42Y8181	2
Dongle DMS Dule DMS-59 to dual DVI Cable (models)	41X6398	2
Dongle DMS Dule DMS-59 to single VGA & single DVI Cable (models)	42Y8183	2
2-pc external speaker--primary (models)	41A5331	1
2-pc external speaker-secondary (models)	41A5334	1
DVI-I(M)-VGA(F) cord (models CTO)	41R3342	2
Battery 3V- Lithium (models A1V A2V A3U A3F A5U A5F A5S A5D A5Y A6U A6F A6S A6D A6Y A7U A7F A7S A7D A7Y A8U A8F A8S A8D A8Y A9U A9F A9S A9D A9Y)	45C1566	1
HD 3470 256M 64bit DP ATX/LP (models)	64Y4498	2
DP to DVI dongle (models)	43N9160	2
Bitland 88E8075 1000M PCIE DASH NIC FH (R)(Rocky) (models)	53Y4008	2
AMD Display Port card LP® (Rocky) (models)	53Y4002	1
MSI 9500GT 512MB 128BIT ATX (TOWER) (models)	46R1524	2

<b>9945 Power Cords</b>	<b>FRU#</b>	<b>CRU</b>
Power cord - US (models A3U A3F A5U A5F A5S A5Y A6U A6F A6S A6Y A7U A7F A7S A7Y A8U A8F A8S A8Y A9U A9F A9S A9Y)	41R3184	1
Power cord - US (models A3U A3F A5U A5F A5S A5Y A6U A6F A6S A6Y A7U A7F A7S A7Y A8U A8F A8S A8Y A9U A9F A9S A9Y)	41R3185	1
Power cord - China (models)	41R3256	1
Power cord - China (models)	41R3257	1
Power cord - Japanese and Japanese English (models)	41R3248	1
Power cord - Japanese and Japanese English (models)	41R3249	1
Power cord - Brazil (Portigese) (models)	41R3270	1
Power cord - Brazil (Portigese) (models)	41R3271	1
Power cord - LA High Volt (APU) (models)	41R3176	1
Power cord - LA High Volt (APU) (models)	41R3177	1
Power cord - ANZ (models)	41R3196	1
Power cord - ANZ (models)	41R3197	1
Power cord - Korea (models)	41R3260	1
Power cord - Korea (models)	41R3261	1

<b>9945 Power Cords</b>	<b>FRU#</b>	<b>CRU</b>
Power cord - UK, Ireland, Singapore, Malaysia, Brunei, Hongkong (models)	41R3224	1
Power cord - UK, Ireland, Singapore, Malaysia, Brunei, Hongkong (models)	41R3225	1
Power cord - Taiwan (models A1V A2V)	41R3278	1
Power cord - Taiwan (models A1V A2V)	41R3279	1
Power cord - Italy (models)	41R3232	1
Power cord - Italy (models)	41R3233	1
Power cord - Indonesia, Laos, Cambodia, Vietnam, Austria, Belgium, Croatia, Czechoslovakia, Finland, France, Germany, Hungary, Netherlands, Norway, Poland, Portugal, Romania, Spain, Sweden (models A3U A3F A5U A5F A5S A5Y A6U A6F A6S A6Y A7U A7F A7S A7Y A8U A8F A8S A8Y A9U A9F A9S A9Y)	41R3208	1
Power cord - Indonesia, Laos, Cambodia, Vietnam, Austria, Belgium, Croatia, Czechoslovakia, Finland, France, Germany, Hungary, Netherlands, Norway, Poland, Portugal, Romania, Spain, Sweden (models A3U A3F A5U A5F A5S A5Y A6U A6F A6S A6Y A7U A7F A7S A7Y A8U A8F A8S A8Y A9U A9F A9S A9Y)	41R3209	1
Power cord - Denmark (models)	41R3212	1
Power cord - Denmark (models)	41R3213	1
Power cord - Switzerland (models)	41R3228	1
Power cord - Switzerland (models)	41R3229	1
Power cord - Israel (models)	41R3236	1
Power cord - Israel (models)	41R3237	1
Power cord - South Africa (models)	41R3220	1
Power cord - South Africa (models)	41R3221	1
Power cord - India (models)	41R3341	1
Power cord - India (models)	41R3175	1
Power cord - Thailand (models)	43N9029	1
Power cord - Thailand (models)	43N9030	1
Power cord - Brazil (models)	43N9044	1

<b>9945 Windows XP Home Recovery CDs</b>	<b>FRU#</b>	<b>CRU</b>
US English/UK/Asia Pacific (models)	TBD	1
French/French Canadian (models)	TBD	1
Greek (models)	TBD	1
Italy (models)	TBD	1
Brazilian (models)	TBD	1
Spanish/LA (models)	TBD	1
Danish (models)	TBD	1
Dutch (models)	TBD	1
Arabic (models)	TBD	1
SV (Swedish) (models)	TBD	1
Hebrew (models)	TBD	1
Finnish (models)	TBD	1



<b>9945 Windows XP Home Recovery CDs</b>	<b>FRU#</b>	<b>CRU</b>
Norwegian (models)	TBD	1
Polish (models)	TBD	1
Portugese (models)	TBD	1
Russian (models)	TBD	1
Russian English (models)	TBD	1
Hungarian (models)	TBD	1
Czech (models)	TBD	1
Turkish native (models)	TBD	1
Greek (models)	TBD	1
Japanese (models)	TBD	1
Simplified Chinese (models)	TBD	1
Taiwan-TC (models)	TBD	1
Hong Kong-TC (models)	TBD	1
Korean (models)	TBD	1

<b>9945 Windows XP Pro Recovery CDs</b>	<b>FRU#</b>	<b>CRU</b>
English (models)	64Y5588	1
Japanese (models)	64Y6202	1
Simplified Chinese (models)	64Y5590	1
Spanish (models)	64Y5591	1
French (models)	64Y5592	1
Italian (models)	64Y5593	1
Brazilian Portuguese (models)	64Y5594	1
German (models)	64Y5595	1
Hong Kong (models)	64Y5596	1
Swedish (models)	64Y5597	1
Danish (models)	64Y5598	1
Norway (models)	64Y5599	1
Finland (models)	64Y5600	1
Arabic (models)	64Y5601	1
Traditional Chinese (models)	64Y5602	1
Russian (models)	64Y5603	1
Polish (models)	64Y5604	1
Hebrew (models)	64Y5605	1
Korea (models)	64Y5606	1
Greek (models)	64Y5607	1
Turkish (models)	64Y5608	1
Dutch (models)	64Y5609	1
Slovenian (models)	64Y5610	1

<b>9945 Windows XP Pro Recovery CDs</b>	<b>FRU#</b>	<b>CRU</b>
Hungarian (models)	64Y5611	1
Czech (models)	64Y5612	1
Portuguese (models)	64Y5613	1
Russian English (models)	64Y5614	1
MUI Nordics (EN-DK-FI-NO-SV) (models CTO)	71Y6401	1
MUI Switz (EN-FR-GR-IT) (models CTO)	71Y6402	1
MUI Bel-Lux (EN-FR-GR-NL) (models CTO)	71Y6403	1

<b>9945 Vista Home Basic 32 Recovery CDs</b>	<b>FRU#</b>	<b>CRU</b>
US English (models)	46R8053	1
French (models)	46R8057	1
German (models)	46R8060	1
Spanish (models)	46R8056	1
Brazilian (models)	46R8059	1
Italian (models)	46R8058	1
Japanese (models)	64Y6207	1
Dutch (models)	46R8070	1
Czech (models)	46R8074	1
Polish (models)	46R8065	1
Russian (models)	46R8064	1
Turkish (models)	46R8069	1
Hungarian (models)	46R8073	1
Greek (models)	46R8068	1
Portuguese (models)	46R8077	1
Hong Kong (models)	46R8061	1
Traditional Chinese (models)	46R8063	1
Korean (models)	46R8067	1
Slovenian (models)	46R8071	1
Russian English (models)	46R8078	1
Hebrew (models)	46R8066	1
Arabic Localized (models)	46R8062	1
Slovakian (models)	46R8075	1
Simplified Chinese (models)	46R8055	1
Serbian-Latin (models)	46R8076	1
Romanian (models)	46R8072	1
Belgium-Luxembourg (models)	53Y4230	1
Switzerland (models)	53Y4231	1
Nordics (models)	53Y4232	1

<b>9945 Vista Business 32 Recovery CDs</b>	<b>FRU#</b>	<b>CRU</b>
US English (models A3U A5U A6U A7U A8U A9U)	46R8079	1
French (models A3F A5F A6F A7F A8F A9F)	46R8083	1
German (models)	46R8086	1
Spanish (models)	46R8082	1
Brazilian (models)	46R8085	1
Italian (models)	46R8084	1
Japanese (models)	64Y6205	1
English for Indian (models)	64Y9435	1
Dutch (models)	46R8096	1
Czech (models)	46R8100	1
Polish (models)	46R8091	1
Russian (models)	46R8090	1
Turkish (models)	46R8095	1
Hungarian (models)	46R8099	1
Greek (models)	46R8094	1
Portuguese (models)	46R8103	1
Simplified Chinese (models)	46R8081	1
Hong Kong (models)	46R8087	1
Traditional Chinese (models A1V A2V)	46R8089	1
Korean (models)	46R8093	1
Slovenian (models)	46R8097	1
Russian English (models)	46R8104	1
Romanian (models)	46R8098	1
Sebian-Latin (models)	46R8102	1
Hebrew (models)	46R8092	1
Arabic Localized (models)	46R8088	1
Slovakian (models)	46R8101	1
Belgium-Luxembourg (models A3U A5U A6U A7U A8U A9U)	53Y4233	1
Switzerland (models A3U A5U A6U A7U A8U A9U)	53Y4234	1
Nordics (models AAG)	53Y4235	1

<b>9945 Vista Premium 32 Recovery CDs</b>	<b>FRU#</b>	<b>CRU</b>
US English (models)	46R8141	1
French (models)	46R8143	1
German (models)	46R8144	1
Spanish (models)	46R8145	1
Italian (models)	46R8146	1
Japanese (models)	64Y6208	1
Hong Kong (models)	46R8147	1

<b>9945 Vista Premium 32 Recovery CDs</b>	<b>FRU#</b>	<b>CRU</b>
Korean (models)	46R8148	1
Athens Vista SP1 MUL 1 P/N's VHP32 (EN FR GR NL) (models)	53Y4236	1
Athens Vista SP1 MUL 2 P/N's VHP32 (EN FR GR IT) (models)	53Y4237	1
Athens Vista SP1 MUL 3P/N's VHP32 (EN DK FI NO SV) (models)	53Y4238	1

<b>9945 Vista Business 64 Recovery CDs</b>	<b>FRU#</b>	<b>CRU</b>
US English (models)	46R8131	1
French (models)	46R8134	1
German (models)	46R8135	1
Japanese (models)	64Y6210	1
Simplified Chinese (models)	46R8133	1

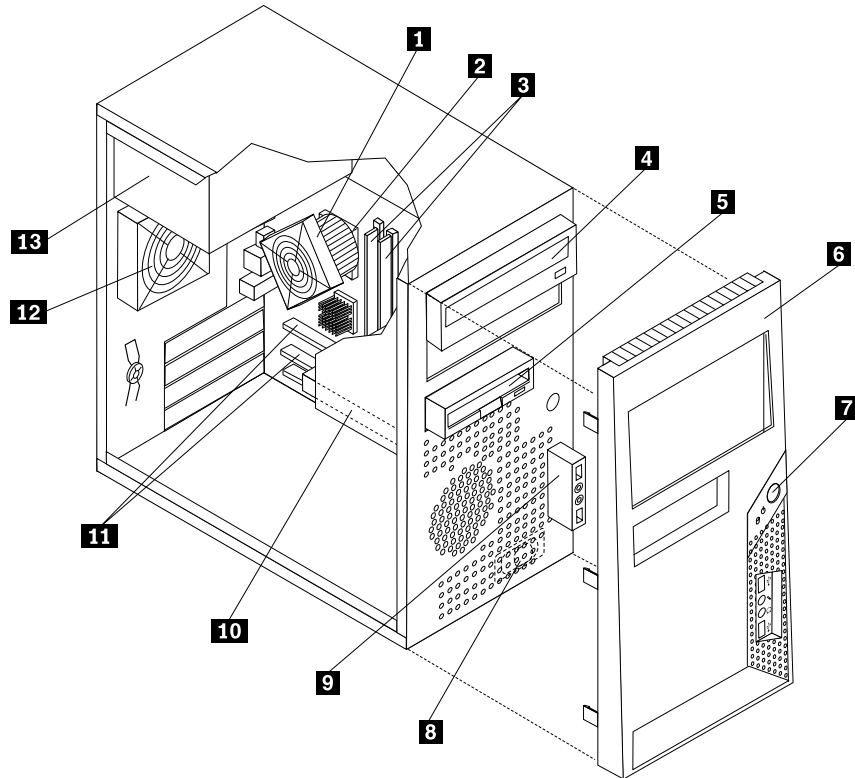
<b>9945 Vista Ultimate 32 Recovery CDs</b>	<b>FRU#</b>	<b>CRU</b>
US English (models)	46R8149	1
Japanese (models)	64Y6209	1
French (models)	46R8151	1
German (models)	46R8152	1
Spanish (models)	46R8153	1
Italian (models)	46R8154	1
Hong Kong (models)	46R8155	1
Arabic Localized (models)	46R8156	1
Athens Vista SP1 MUL 1 P/N's VU32 (EN DK FI NO SV) (models)	53Y4239	1

<b>9945 Vista Starter 32 Recovery CDs</b>	<b>FRU#</b>	<b>CRU</b>
English (models)	46R8052	1

<b>9945 Vista Home Premium 64 Recovery CDs</b>	<b>FRU#</b>	<b>CRU</b>
US (models)	71Y6634	1
French (models)	71Y6635	1

<b>9945 Win7 Professional 32</b>	<b>FRU#</b>	<b>CRU</b>
Brazilian Portuguese (all models)	89Y0454	1

## Machine Type 9946



Item #	9946 FRUs	FRU#	CRU
1	AMD 89W&65W 4Pin heatsink (all models)	41R6407	2
2	Microprocessor, Athlon64 4800+ X2 (2.50GHz, 1M L2, 65W) G1 65nm (models)	43C4093	N
2	Microprocessor, Athlon64 5000+ X2 (2.60GHz, 1M L2, 65W) G1 65nm (models)	41X1427	N
2	Microprocessor, Athlon 1640B (2.70GHz, 512K L2, 45W) G2 65nm (models)	45R6488	N
2	Microprocessor, Athlon64 5200+ X2 (2.70GHz, 1M L2, 65W) G1 65nm (models)	45C7502	N
2	Microprocessor, Athlon64 5400B X2(2.80GHz, 1M L2, 65W) G2 65nm (models)	45R6486	N
2	Microprocessor, Athlon64 5600+ X2 (2.90GHz, 1M L2, 89W) G2 65nm (models)	45C7504	N
2	Microprocessor, Athlon BE-2350 X2 (2.10GHz, 1M L2, 45W) G2 65nm (models)	43C6166	N
2	Microprocessor, Athlon BE-2400 X2 (2.30GHz, 1M L2, 45W) G2 65nm (models)	43C6165	N
2	Microprocessor, Athlon 4450B X2 (2.30GHz, 1M L2, 45W) G2 65nm (models)	46R3624	N
2	Microprocessor, Athlon 5000B X2 (2.60GHz, 1M L2, 65W) G2 65nm (models)	46R3625	N
2	Microprocessor, Athlon 5200B X2 (2.70GHz, 1M L2, 65W) G2 65nm (models)	46R3626	N
2	Microprocessor, Athlon LE-1660 (2.8 GHz, 512K L2, 45W) G2 65nm (models CTO)	53Y7722	N
2	Microprocessor, Athlon X2 5600B (2.9 GHz, 1M L2, 65W) G2 65nm (models CTO)	53Y7718	N
2	Microprocessor, Athlon64 X2 6000+ (3.1 GHz, 1M L2, 89W) G2 65nm (models CTO)	53Y7720	N
2	Microprocessor, Sempron LE-1250 (2.20GHz, 512K L2, 45W) G2 65nm (models)	43C6168	N
2	Microprocessor, Athlon II X2 240 (2.8GHz, 2M Total Cache, AM3, 65W) C2 45nm (models 91Z)	64Y8012	N

Item #	9946 FRUs	FRU#	CRU
2	Microprocessor, Athlon II X2 245 (2.9GHz, 2M Total Cache, AM3, 65W) C2 45nm (models 91Z)	64Y8013	N
2	Microprocessor, Athlon II X3 435 (2.9GHz, 1.5M Total Cache, AM3, 95W) C2 45nm (models 91Z)	64Y8020	N
2	Microprocessor, Phenom II X2 550 (3.1GHz, 7M Total Cache, AM3, 80W) C2 45nm (models 91Z)	64Y8024	N
2	Microprocessor, Phenom II X2 555 (3.2 GHz, 7M Total Cache, AM3, 80W) C3 45nm (models 91Z)	89Y0793	N
2	Microprocessor, Phenom II X3 720 (2.8GHz, 7.5M Total Cache, AM3, 95W) C2 45nm (models 91Z)	64Y8030	N
2	Microprocessor, Phenom II X4 910 (2.6GHz, 8M Total Cache, AM3, 95W) C2 45nm (models 91Z)	64Y8035	N
2	Microprocessor, Sempron LE-1300 (2.30GHz, 512K L2, 45W) G2 65nm (models)	43C8986	N
2	Microprocessor, Sempron 2100 X2 (1.80GHz, 512K L2, 65W) G2 65nm (models)	46R3629	N
2	Microprocessor, Sempron 2200 X2 (2.00GHz, 512K L2, 65W) G2 65nm (models)	46R3630	N
2	Microprocessor, Sempron X2 2300 (2.2GHz, 512K L2, 65W) G2 65nm (models CTO)	53Y7724	N
2	Microprocessor, Sempron 140 (2.7GHz, 1M Total Cache, AM3, 45W) C2 45nm (models 91Z)	71Y6414	N
2	Microprocessor, Phenom 8600B (2.30GHz, 1.5M L2, 2M L3, 95W) stepping B2 65nm (models)	45R6494	N
2	Microprocessor, Phenom 9550 (2.20GHz, 2M L2, 2M L3, 95W) stepping B3 65nm (models)	45R6496	N
2	Microprocessor, Phenom 9650 (2.30GHz, 2M L2, 2M L3, 95W) stepping B3 65nm (models)	45R6498	N
2	Microprocessor, Phenom 9600B (2.30GHz, 2M L2, 2M L3, 95W) stepping B2 65nm (models)	45R6500	N
2	Microprocessor, Phenom 8450 (2.10GHz, 1.5M L2, 2M L3, 95W) B3 65nm (models)	45R6490	N
2	Microprocessor, Phenom X3 8600B (2.3GHz, 1.5M L2, 2M L3, 95W) B3 65nm (models)	45R6494	N
2	Microprocessor, Phenom 9550 (2.20GHz, 2M L2, 2M L3, 95W) stepping B3 65nm (models CTO)	53Y7709	N
2	Microprocessor, Phenom X4 9750B (2.4 GHz, 512K / 2M L2, 95W) B3 65nm (models CTO)	53Y7711	N
3	Memory module, 512MB PC2-5300 (667MHz) DDR2 SDRAM (models)	41X4255	2
3	Memory module, 512MB PC2-6400 (800MHz) DDR2 SDRAM (models)	41X1079	2
3	Memory module, 1GB PC2-6400 (667MHz) DDR2 SDRAM (models)	41X1080	2
3	Memory module, 2GB PC2-6400 (667MHz) DDR2 SDRAM (models)	41X1081	2
4	DVD-ROM Drive - 16x/48x - SATA Vista & non-Vista (models)	41N3325	2
4	DVD-ROM Drive - 16x/48x - With DVD playback software (models)	71Y5543	2
4	DVD Recordable/CD-RW Rambo 8 - SATA Vista & non-Vista (models)	43C1042	2
4	DVD-RW/CD-RW Rambo 8 - With write software (models)	71Y5545	2
5	Diskette drive, 3.5" 1.44MB 2 Mode FDD with Bezel and cable (models)	40Y9105	2

Item #	9946 FRUs	FRU#	CRU
5	Diskette drive, 3.5" 1.44MB 2 Mode FDD with Bezel and cable (models)	40Y9107	2
6	Bezel assembly, without IBM mark (all models)	41R6243	2
7	Power switch/LED assembly (all models)	41N5284	2
8	Speaker assembly, soldered terminals (all models)	39P5023	2
9	Front audio/USB assembly (all models)	41N8054	2
10	Hard disk drive, SATA 80GB 7200RPM/3Gb/8MB (models)	40Y9034	2
10	Hard disk drive, SATA 160GB 7200RPM/3Gb/8MB (models)	40Y9035	2
10	Hard disk drive, SATA 160GB 7200RPM/3Gb/8MB (models)	53Y6837	2
10	Hard disk drive, SATA 250GB 7200RPM/3Gb/8MB (models)	45K0408	2
10	Hard disk drive, SATA 320GB 7200rpm SATA/8MB (models)	45K0409	2
10	Hard disk drive, SATA 500GB 7200RPM/3Gb/s/8MB (models)	45K0410	2
10	Hard disk drive, SATA 250GB 7200RPM/3Gb/8MB (models)	40Y9036	2
10	Hard disk drive, SATA 320GB 7200rpm SATA/8MB (models)	87H4891	2
10	Hard disk drive, SATA 500GB 7200RPM/3Gb/s/8MB (models)	41X5582	2
11	System board, Planar AMD RS780 mATX (TOWER & ROCKYS) (models)	71Y5724	N
11	System board, Planar AMD RS780 mATX GA Level - TPM Disable for Russia (models)	71Y4994	N
11	System board, Planar AMD RS780 mATX GA Level - Support Phenom II X2 555 (models 91Z)	89Y1346	N
11	System board, Planar AMD RS780 mATX GA Level -Support Win7 and AM3 C2 CPU (models 91Z)	89Y1809	1
12	System fan, rear (all models)	41R6269	2
12	System fan, rear (all models)	43N9908	2
13	Power supply, ATX 280W (Robust, WW) (models)	41A9684	2
13	Power supply, ATX 280W 80% (Robust, WW, JP) (models)	41A9665	2
13	Power supply, ATX 310W (Robust, WW, JP) (models)	41A9726	2
13	Power supply, 220W (Robust, WW) (models)	41A9689	N
13	Power supply, 220W only for JP (models)	41A9697	N
13	Power supply, 220W 80% (Robust, WW, JP) (models)	41A9670	N
13	Power supply, 280W TFX ,Active PFC, (Robust, WW, JP) (models)	41A9705	N

The FRUs listed in the following tables are not illustrated.

9946 FRUs	FRU#	CRU
Cover (all models)	41N8050	2
Retainer, Card Reader (all models)	41R2913	2
Front Fan AVC (all models)	41R4791	2
HDD Tray (all models)	41R6291	2
FDD cable, 325mm, (all models)	41A7182	2
Cabel -SATA 457mm (RoHS) (all models)	43N9013	2

<b>9946 FRUs</b>	<b>FRU#</b>	<b>CRU</b>
Cabel-SATA 250mm (RoHS) (all models)	43N9012	2
Optional HDD Bracket Asm (all models)	41R6106	2
EMC Shield (all models)	41N8080	2
EMC Shield (all models)	41N8078	2
Rear IO shield ATX,for RX 780,Atlantic (all models)	41R6383	N
Intrusion Switch Asm (all models)	41R6116	2
Temp Sense cable for Armstrong (460 mm) (all models)	41R2509	2
Blank 5.25" Bezel (all models)	41N8077	2
Asm Chassis Without IBM Mark Atlantic (all models)	41R6408	5
ODD/FDD/Cardreader Retainers (all models)	43N9351	2
AMD thermal KIT (all models)	41R6407	2
Cable Clip, FW-6D (all models)	43N9462	2
Fru,Tamdhu chassis primary HDD cage (all models)	45K6272	2

<b>9946 Keyboards (Lenovo Preferred Pro USB -- without hub)</b>	<b>FRU#</b>	<b>CRU Tier</b>
USB FULL--US English (models)	41A5289	1
USB FULL--Arabic (models)	41A5290	1
USB FULL--Arabic/French (models)	41A5291	1
USB FULL--Belgian/French (models)	41A5292	1
USB FULL--Belgium English (models)	41A5293	1
USB FULL--Brazilian Portuguese (models)	41A5294	1
USB FULL--Bulgarian (models)	41A5295	1
USB FULL--Chinese/US (models)	41A5296	1
USB FULL--Czech (ABB) (models)	41A5297	1
USB FULL--Danish (models)	41A5298	1
USB FULL--Dutch (models)	41A5299	1
USB FULL--French (models)	41A5300	1
USB FULL--French Canadian (models)	41A5301	1
USB FULL--French Canadian (models)	41A5302	1
USB FULL--German (models)	41A5303	1
USB FULL--Greek (models)	41A5304	1
USB FULL--Greek/US (models)	41A5305	1
USB FULL--Hebrew (models)	41A5306	1
USB FULL--Hungarian (models)	41A5307	1
USB FULL--Iceland (models)	41A5308	1
USB FULL--Italy (models)	41A5309	1
USB FULL--Japanese (models)	41A5310	1
USB FULL--Korean (models)	41A5311	1



<b>9946 Keyboards (Lenovo Preferred Pro USB -- without hub)</b>	<b>FRU#</b>	<b>CRU Tier</b>
USB FULL--LA Spanish (models)	41A5312	1
USB FULL--Norwegian (models)	41A5313	1
USB FULL--Polish (models)	41A5314	1
USB FULL--Portugese (models)	41A5315	1
USB FULL--Romanian (models)	41A5317	1
USB FULL--Russian/Cyrillic (models)	41A5318	1
USB FULL--Serbian/Cyrillic (models)	41A5319	1
USB FULL--Slovak (models)	41A5320	1
USB FULL--Spanish (models)	41A5321	1
USB FULL--Swedish/Finnish (models)	41A5322	1
USB FULL--Swiss F/G (models)	41A5323	1
USB FULL--Thailand (models)	41A5324	1
USB FULL--Turkish (models)	41A5325	1
USB FULL--Turkish (models)	41A5326	1
USB FULL--UK English (models)	41A5327	1
USB FULL--US Euro (models)	41A5328	1
USB FULL--Slovenian (models)	41A5329	1

<b>9946 Keyboards (Lenovo Fingerprint Reader USB)</b>	<b>FRU#</b>	<b>CRU Tier</b>
US English (models)	41R0038	1
Arabic (models)	41R0039	1
Arabic/French (models)	41R0040	1
Belgian/French (models)	41R0041	1
Belgium English (models)	41R0042	1
Brazilian Portuguese (models)	41R0043	1
Bulgarian (models)	41R0044	1
Chinese/US (models)	41R0045	1
Czech (ABB) (models)	41R0046	1
Danish (models)	41R0047	1
Dutch (models)	41R0048	1
French (models)	41R0049	1
French Canadian (models)	41R0050	1
French Canadian (models)	41R0051	1
German (models)	41R0052	1
Greek (models)	41R0053	1
Greek/US (models)	41R0054	1
Hebrew (models)	41R0055	1
Hungarian (models)	41R0056	1

<b>9946 Keyboards (Lenovo Fingerprint Reader USB)</b>	<b>FRU#</b>	<b>CRU Tier</b>
Iceland (models)	41R0057	1
Italy (models)	41R0058	1
Japanese (models)	41R0059	1
Korean (models)	41R0060	1
LA Spanish (models)	41R0061	1
Norwegian (models)	41R0062	1
Polish (models)	41R0063	1
Portuguese (models)	41R0064	1
Romanian (models)	41R0065	1
Romanian (models)	41R0066	1
Russian/Cyrillic (models)	41R0067	1
Serbian/Cyrillic (models)	41R0068	1
Slovak (models)	41R0069	1
Spanish (models)	41R0070	1
Swedish/Finnish (models)	41R0071	1
Swiss F/G (models)	41R0072	1
Thailand (models)	41R0073	1
Turkish (models)	41R0074	1
Turkish (models)	41R0075	1
UK English (models)	41R0076	1
US Euro (models)	41R0077	1
Slovenian (models)	41R0078	1

<b>9946 Keyboards (Lenovo Preferred Pro PS/2 Full Size)</b>	<b>FRU#</b>	<b>CRU Tier</b>
PS/2 Full--US English (models)	41A5039	1
PS/2 Full--Arabic (models)	41A5040	1
PS/2 Full--Arabic/French (models)	41A5041	1
PS/2 Full--Belgian/French (models)	41A5042	1
PS/2 Full--Belgium English (models)	41A5043	1
PS/2 Full--Brazilian Portuguese (models)	41A5044	1
PS/2 Full--Bulgarian (models)	41A5045	1
PS/2 Full--Chinese/US (models)	41A5046	1
PS/2 Full--Czech (ABB) (models)	41A5047	1
PS/2 Full--Danish (models)	41A5048	1
PS/2 Full--Dutch (models)	41A5049	1
PS/2 Full--French (models)	41A5050	1
PS/2 Full--French Canadian (models)	41A5051	1
PS/2 Full--French Canadian (models)	41A5052	1

<b>9946 Keyboards (Lenovo Preferred Pro PS/2 Full Size)</b>	<b>FRU#</b>	<b>CRU Tier</b>
PS/2 Full--German (models)	41A5053	1
PS/2 Full--Greek (models)	41A5054	1
PS/2 Full--Greek/US (models)	41A5080	1
PS/2 Full--Hebrew (models)	41A5055	1
PS/2 Full--Hungarian (models)	41A5056	1
PS/2 Full--Iceland (models)	41A5057	1
PS/2 Full--Italy (models)	41A5058	1
PS/2 Full--Japanese (models)	41A5059	1
PS/2 Full--Korean (models)	41A5060	1
PS/2 Full--LA Spanish (models)	41A5061	1
PS/2 Full--Norwegian (models)	41A5062	1
PS/2 Full--Polish (models)	41A5063	1
PS/2 Full--Portugese (models)	41A5064	1
PS/2 Full--Romanian (models)	41A5065	1
PS/2 Full--Russian/Cyrillic (models)	41A5066	1
PS/2 Full--Serbian/Cyrillic (models)	41A5067	1
PS/2 Full--Slovak (models)	41A5068	1
PS/2 Full--Spanish (models)	41A5069	1
PS/2 Full--Swedish/Finnish (models)	41A5070	1
PS/2 Full--Swiss F/G (models)	41A5071	1
PS/2 Full--Thailand (models)	41A5072	1
PS/2 Full--Turkish (models)	41A5073	1
PS/2 Full--Turkish (models)	41A5074	1
PS/2 Full--UK English (models)	41A5075	1
PS/2 Full--US Euro (models)	41A5076	1
PS/2 Full--Slovenian (models)	41A5077	1

<b>9946 mice</b>	<b>FRU#</b>	<b>CRU</b>
Optical Wheel Mouse (400DPI, USB) (models)	41U3013	1
Optical Wheel Mouse (400DPI, USB) (models)	41U3030	1
PS/2 Three Button ball mouse (41R0017) (models)	41R0018	1

<b>9946 Adapters and miscellaneous FRUs</b>	<b>FRU#</b>	<b>CRU</b>
Internal USB Memory Card Reader floppy bay (models)	41R3378	2
Internal 20 in 1 USB Memory Card Reader (models)	45R8139	1
NVIDIA GeForce 9300 GE 256M Full Height (DVI+VGA) (TOWER) (models CTO)	45R5494	2
ATI HD 2600XT 512MB 128BIT ATX (models)	43C0261	2
IEEE 1394 Firewire Adapter SFF (models)	41D2781	2

<b>9946 Adapters and miscellaneous FRUs</b>	<b>FRU#</b>	<b>CRU</b>
IEEE 1394 Firewire Adapter ATX (models)	41D2781	2
Soft Modem V.90/V.44 SFF (models)	29R9729	2
Soft Modem V.90/V.44 ATX (models)	29R9729	2
ATI HD 2400PRO 128MB 64BIT DMS59 ATX (models)	43C0259	2
ATI HD 2400XT 256MB 64BIT DMS59 ATX Secondary (models)	46R4160	2
Speaker Power brick - US, Canada, LA low voltage, ASEAN (models)	89P8571	1
Speaker Power brick - LA high voltage (non-APU) (models)	89P8575	1
Speaker Power brick - SIMPLIFIED -CHN, Thailand EMEA(models)	89P8581	1
Speaker Power brick - Japan (models)	89P8577	1
Speaker Power brick - Brazil (models)	89P8583	1
Speaker Power brick - Argentina (models)	41A4901	1
Speaker Power brick - ANZ (models)	89P8579	1
Speaker Power brick - Korean (models)	41A4903	1
Speaker Power brick - Hong Kong, EMEA (models)	89P8573	1
Speaker Power brick -TAIWAN-TC (models)	41A4905	1
Speaker Power brick - India, South Africa (models)	89P8585	1
Dongle DMS Dule DMS-59 to dual VGA Cable (models)	42Y8181	2
Dongle DMS Dule DMS-59 to dual DVI Cable (models)	41X6398	2
Dongle DMS Dule DMS-59 to single VGA & single DVI Cable (models)	42Y8183	2
2-pc external speaker--primary (models)	41A5331	1
2-pc external speaker-secondary (models)	41A5334	1
DVI-I(M)-VGA(F) cord (models)	41R3342	2
Battery 3V- Lithium (models)	45C1566	1
HD 3470 256M 64bit DP ATX/LP (models)	46R1521	2
DP to DVI dongle (models)	43N9160	2
Bitland 88E8075 1000M PCIE DASH NIC FH (R)(Rocky) (models)	53Y4008	2
AMD Display Port card LP® (Rocky) (models)	53Y4002	1
MSI 9500GT 512MB 128BIT ATX (TOWER) (models)	46R1524	2

<b>9946 Power Cords</b>	<b>FRU#</b>	<b>CRU</b>
Power cord - US (models)	41R3184	1
Power cord - US (models)	41R3185	1
Power cord - China (models)	41R3256	1
Power cord - China (models)	41R3257	1
Power cord - Japanese and Japanese English (models)	41R3248	1
Power cord - Japanese and Japanese English (models)	41R3249	1
Power cord - Brazil (Portigese) (models)	41R3270	1
Power cord - Brazil (Portigese) (models)	41R3271	1
Power cord - LA High Volt (APU) (models)	41R3176	1

<b>9946 Power Cords</b>	<b>FRU#</b>	<b>CRU</b>
Power cord - LA High Volt (APU) (models)	41R3177	1
Power cord - ANZ (models)	41R3196	1
Power cord - ANZ (models)	41R3197	1
Power cord - Korea (models)	41R3260	1
Power cord - Korea (models)	41R3261	1
Power cord - UK, Ireland, Singapore, Malaysia, Brunei, Hongkong (models)	41R3224	1
Power cord - UK, Ireland, Singapore, Malaysia, Brunei, Hongkong (models)	41R3225	1
Power cord - Taiwan (models)	41R3278	1
Power cord - Taiwan (models)	41R3279	1
Power cord - Italy (models)	41R3232	1
Power cord - Italy (models)	41R3233	1
Power cord - Indonesia, Laos, Cambodia, Vietnam, Austria, Belgium, Croatia, Czechoslovakia, Finland, France, Germany, Hungary, Netherlands, Norway, Poland, Portugal, Romania, Spain, Sweden (models)	41R3208	1
Power cord - Indonesia, Laos, Cambodia, Vietnam, Austria, Belgium, Croatia, Czechoslovakia, Finland, France, Germany, Hungary, Netherlands, Norway, Poland, Portugal, Romania, Spain, Sweden (models)	41R3209	1
Power cord - Denmark (models)	41R3212	1
Power cord - Denmark (models)	41R3213	1
Power cord - Switzerland (models)	41R3228	1
Power cord - Switzerland (models)	41R3229	1
Power cord - Israel (models)	41R3236	1
Power cord - Israel (models)	41R3237	1
Power cord - South Africa (models)	41R3220	1
Power cord - South Africa (models)	41R3221	1
Power cord - India (models)	41R3341	1
Power cord - India (models)	41R3175	1
Power cord - Thailand (models)	43N9029	1
Power cord - Thailand (models)	43N9030	1
Power cord - Brazil (models)	43N9044	1

<b>9946 Windows XP Home Recovery CDs</b>	<b>FRU#</b>	<b>CRU</b>
US English/UK/Asia Pacific (models)	TBD	1
French/French Canadian (models)	TBD	1
Greek (models)	TBD	1
Italy (models)	TBD	1
Brazilian (models)	TBD	1
Spanish/LA (models)	TBD	1
Danish (models)	TBD	1
Dutch (models)	TBD	1

<b>9946 Windows XP Home Recovery CDs</b>	<b>FRU#</b>	<b>CRU</b>
Arabic (models)	TBD	1
SV (Swedish) (models)	TBD	1
Hebrew (models)	TBD	1
Finnish (models)	TBD	1
Norwegian (models)	TBD	1
Polish (models)	TBD	1
Portugese (models)	TBD	1
Russian (models)	TBD	1
Russian English (models)	TBD	1
Hungarian (models)	TBD	1
Czech (models)	TBD	1
Turkish native (models)	TBD	1
Greek (models)	TBD	1
Japanese (models)	TBD	1
Simplified Chinese (models)	TBD	1
Taiwan-TC (models)	TBD	1
Hong Kong-TC (models)	TBD	1
Korean (models)	TBD	1

<b>9946 Windows XP Pro Recovery CDs</b>	<b>FRU#</b>	<b>CRU</b>
English (models)	64Y5588	1
Japanese (models)	64Y6202	1
Simplified Chinese (models)	64Y5590	1
Spanish (models)	64Y5591	1
French (models)	64Y5592	1
Italian (models)	64Y5593	1
Brazilian Portuguese (models)	64Y5594	1
German (models)	64Y5595	1
Hong Kong (models)	64Y5596	1
Swedish (models)	64Y5597	1
Danish (models)	64Y5598	1
Norway (models)	64Y5599	1
Finland (models)	64Y5600	1
Arabic (models)	64Y5601	1
Traditional Chinese (models)	64Y5602	1
Russian (models)	64Y5603	1
Polish (models)	64Y5604	1
Hebrew (models)	64Y5605	1
Korea (models)	64Y5606	1

<b>9946 Windows XP Pro Recovery CDs</b>	<b>FRU#</b>	<b>CRU</b>
Greek (models)	64Y5607	1
Turkish (models)	64Y5608	1
Dutch (models)	64Y5609	1
Slovenian (models)	64Y5610	1
Hungarian (models)	64Y5611	1
Czech (models)	64Y5612	1
Portuguese (models)	64Y5613	1
Russian English (models)	64Y5614	1
MUI Nordics (EN-DK-FI-NO-SV) (models CTO)	71Y6401	1
MUI Switz (EN-FR-GR-IT) (models CTO)	71Y6402	1
MUI Bel-Lux (EN-FR-GR-NL) (models CTO)	71Y6403	1

<b>9946 Vista Home Basic 32 Recovery CDs</b>	<b>FRU#</b>	<b>CRU</b>
US English (models)	46R8053	1
French (models)	46R8057	1
German (models)	46R8060	1
Spanish (models)	46R8056	1
Brazilian (models)	46R8059	1
Italian (models)	46R8058	1
Japanese (models)	64Y6207	1
Dutch (models)	46R8070	1
Czech (models)	46R8074	1
Polish (models)	46R8065	1
Russian (models)	46R8064	1
Turkish (models)	46R8069	1
Hungarian (models)	46R8073	1
Greek (models)	46R8068	1
Portuguese (models)	46R8077	1
Hong Kong (models)	46R8061	1
Traditional Chinese (models)	46R8063	1
Korean (models)	46R8067	1
Slovenian (models)	46R8071	1
Russian English (models)	46R8078	1
Hebrew (models)	46R8066	1
Arabic Localized (models)	46R8062	1
Slovakian (models)	46R8075	1
Simplified Chinese (models)	46R8055	1
Serbian-Latin (models)	46R8076	1
Romanian (models)	46R8072	1

<b>9946 Vista Home Basic 32 Recovery CDs</b>	<b>FRU#</b>	<b>CRU</b>
Belgium-Luxembourg (models)	53Y4230	1
Switzerland (models)	53Y4231	1
Nordics (models)	53Y4232	1

<b>9946 Vista Business 32 Recovery CDs</b>	<b>FRU#</b>	<b>CRU</b>
US English (models)	46R8079	1
French (models)	46R8083	1
German (models)	46R8086	1
Spanish (models)	46R8082	1
Brazilian (models)	46R8085	1
Italian (models)	46R8084	1
Japanese (models)	64Y6205	1
English for Indian (models)	64Y9435	1
Dutch (models)	46R8096	1
Czech (models)	46R8100	1
Polish (models)	46R8091	1
Russian (models)	46R8090	1
Turkish (models)	46R8095	1
Hungarian (models)	46R8099	1
Greek (models)	46R8094	1
Portuguese (models)	46R8103	1
Simplified Chinese (models)	46R8081	1
Hong Kong (models)	46R8087	1
Traditional Chinese (models)	46R8089	1
Korean (models)	46R8093	1
Slovenian (models)	46R8097	1
Russian English (models)	46R8104	1
Romanian (models)	46R8098	1
Sebian-Latin (models)	46R8102	1
Hebrew (models)	46R8092	1
Arabic Localized (models)	46R8088	1
Slovakian (models)	46R8101	1
Belgium-Luxembourg (models)	53Y4233	1
Switzerland (models)	53Y4234	1
Nordics (models)	53Y4235	1

<b>9946 Vista Premium 32 Recovery CDs</b>	<b>FRU#</b>	<b>CRU</b>
US English (models)	46R8141	1
French (models)	46R8143	1



<b>9946 Vista Premium 32 Recovery CDs</b>	<b>FRU#</b>	<b>CRU</b>
German (models)	46R8144	1
Spanish (models)	46R8145	1
Italian (models)	46R8146	1
Japanese (models)	64Y6208	1
Hong Kong (models)	46R8147	1
Korean (models)	46R8148	1
Athens Vista SP1 MUL 1 P/N's VHP32 (EN FR GR NL) (models)	53Y4236	1
Athens Vista SP1 MUL 2 P/N's VHP32 (EN FR GR IT) (models)	53Y4237	1
Athens Vista SP1 MUL 3P/N's VHP32 (EN DK FI NO SV) (models)	53Y4238	1

<b>9946 Vista Business 64 Recovery CDs</b>	<b>FRU#</b>	<b>CRU</b>
US English (models)	46R8131	1
French (models)	46R8134	1
German (models)	46R8135	1
Japanese (models)	64Y6210	1
Simplified Chinese (models)	46R8133	1

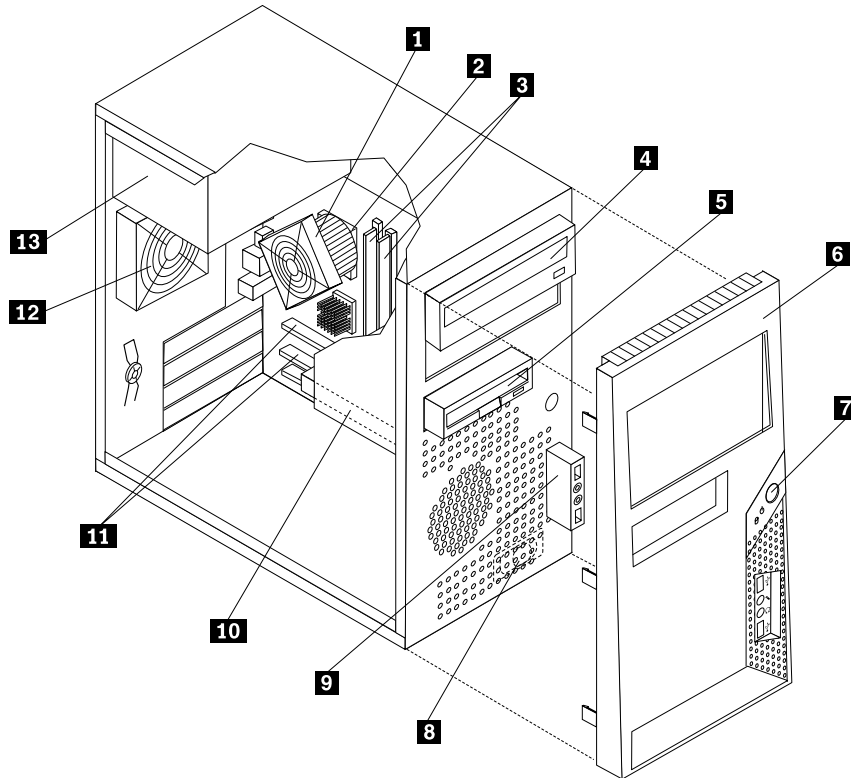
<b>9946 Vista Ultimate 32 Recovery CDs</b>	<b>FRU#</b>	<b>CRU</b>
US English (models)	46R8149	1
Japanese (models)	64Y6209	1
French (models)	46R8151	1
German (models)	46R8152	1
Spanish (models)	46R8153	1
Italian (models)	46R8154	1
Hong Kong (models)	46R8155	1
Arabic Localized (models)	46R8156	1
Athens Vista SP1 MUL 1 P/N's VU32 (EN DK FI NO SV) (models)	53Y4239	1

<b>9946 Vista Starter 32 Recovery CDs</b>	<b>FRU#</b>	<b>CRU</b>
English (models)	46R8052	1

<b>9946 Vista Home Premium 64 Recovery CDs</b>	<b>FRU#</b>	<b>CRU</b>
US (models)	71Y6634	1
French (models)	71Y6635	1

<b>9946 Win7 Professional 32</b>	<b>FRU#</b>	<b>CRU</b>
Brazilian Portuguese (all models)	89Y0454	1

## Machine Type 9953



Item #	9953 FRUs	FRU#	CRU
1	AMD 89W&65W 4Pin heatsink (all models)	41R6407	2
2	Microprocessor, Athlon64 4800+ X2 (2.50GHz, 1M L2, 65W) G1 65nm (models)	43C4093	N
2	Microprocessor, Athlon64 5000+ X2 (2.60GHz, 1M L2, 65W) G1 65nm (models)	41X1427	N
2	Microprocessor, Athlon 1640B (2.70GHz, 512K L2, 45W) G2 65nm (models A7C B1C)	45R6488	N
2	Microprocessor, Athlon64 5200+ X2 (2.70GHz, 1M L2, 65W) G1 65nm (models)	45C7502	N
2	Microprocessor, Athlon64 5400B X2(2.80GHz, 1M L2, 65W) G2 65nm (models A2M A4J A5J)	45R6486	N
2	Microprocessor, Athlon64 5600+ X2 (2.90GHz, 1M L2, 89W) G2 65nm (models)	45C7504	N
2	Microprocessor, Athlon BE-2350 X2 (2.10GHz, 1M L2, 45W) G2 65nm (models)	43C6166	N
2	Microprocessor, Athlon BE-2400 X2 (2.30GHz, 1M L2, 45W) G2 65nm (models)	43C6165	N
2	Microprocessor, Athlon 4450B X2 (2.30GHz, 1M L2, 45W) G2 65nm (models B7A B7T B8A B8T B8J B9M B9A B9T B9K D1J D2M D2A D2Q D2T D2K D2J)	46R3624	N
2	Microprocessor, Athlon 5000B X2 (2.60GHz, 1M L2, 65W) G2 65nm (models A3J A6J A1S A1P B5J B6J)	46R3625	N
2	Microprocessor, Athlon 5200B X2 (2.70GHz, 1M L2, 65W) G2 65nm (models)	46R3626	N
2	Microprocessor, Athlon LE-1660 (2.8 GHz, 512K L2, 45W) G2 65nm (models CTO)	53Y7722	N
2	Microprocessor, Athlon X2 5600B (2.9 GHz, 1M L2, 65W) G2 65nm (models CTO)	53Y7718	N
2	Microprocessor, Athlon64 X2 6000+ (3.1 GHz, 1M L2, 89W) G2 65nm (models CTO)	53Y7720	N

Item #	9953 FRUs	FRU#	CRU
2	Microprocessor, Athlon II X2 240 (2.8GHz, 2M Total Cache, AM3, 65W) C2 45nm (models 91Z)	64Y8012	N
2	Microprocessor, Athlon II X2 245 (2.9GHz, 2M Total Cache, AM3, 65W) C2 45nm (models 91Z)	64Y8013	N
2	Microprocessor, Athlon II X3 435 (2.9GHz, 1.5M Total Cache, AM3, 95W) C2 45nm (models 91Z)	64Y8020	N
2	Microprocessor, Phenom II X2 550 (3.1GHz, 7M Total Cache, AM3, 80W) C2 45nm (models 91Z)	64Y8024	N
2	Microprocessor, Phenom II X2 555 (3.2 GHz, 7M Total Cache, AM3, 80W) C3 45nm (models 91Z)	89Y0793	N
2	Microprocessor, Phenom II X3 720 (2.8GHz, 7.5M Total Cache, AM3, 95W) C2 45nm (models 91Z)	64Y8030	N
2	Microprocessor, Phenom II X4 910 (2.6GHz, 8M Total Cache, AM3, 95W) C2 45nm (models 91Z)	64Y8035	N
2	Microprocessor, Sempron LE-1250 (2.20GHz, 512K L2, 45W) G2 65nm (models)	43C6168	N
2	Microprocessor, Sempron LE-1300 (2.30GHz, 512K L2, 45W) G2 65nm (models)	43C8986	N
2	Microprocessor, Sempron 2100 X2 (1.80GHz, 512K L2, 65W) G2 65nm (models)	46R3629	N
2	Microprocessor, Sempron 2200 X2 (2.00GHz, 512K L2, 65W) G2 65nm (models)	46R3630	N
2	Microprocessor, Sempron X2 2300 (2.2GHz, 512K L2, 65W) G2 65nm (models CTO)	53Y7724	N
2	Microprocessor, Sempron 140 (2.7GHz, 1M Total Cache, AM3, 45W) C2 45nm (models 91Z)	71Y6414	N
2	Microprocessor, Phenom 8600B (2.30GHz, 1.5M L2, 2M L3, 95W) stepping B2 65nm (models B2C)	45R6494	N
2	Microprocessor, Phenom 9550 (2.20GHz, 2M L2, 2M L3, 95W) stepping B3 65nm (models)	45R6496	N
2	Microprocessor, Phenom 9650 (2.30GHz, 2M L2, 2M L3, 95W) stepping B3 65nm (models)	45R6498	N
2	Microprocessor, Phenom 9600B (2.30GHz, 2M L2, 2M L3, 95W) stepping B2 65nm (models B3J B4J)	45R6500	N
2	Microprocessor, Phenom 8450 (2.10GHz, 1.5M L2, 2M L3, 95W) B3 65nm (models D3M D3A D3T D3J D4J)	45R6490	N
2	Microprocessor, Phenom X3 8600B (2.3GHz, 1.5M L2, 2M L3, 95W) B3 65nm (models)	45R6494	N
2	Microprocessor, Phenom 9550 (2.20GHz, 2M L2, 2M L3, 95W) stepping B3 65nm (models CTO)	53Y7709	N
2	Microprocessor, Phenom X4 9750B (2.4 GHz, 512K / 2M L2, 95W) B3 65nm (models CTO)	53Y7711	N
3	Memory module, 512MB PC2-5300 (667MHz) DDR2 SDRAM (models)	41X4255	2
3	Memory module, 512MB PC2-6400 (800MHz) DDR2 SDRAM (models A7C)	41X1079	2
3	Memory module, 1GB PC2-6400 (667MHz) DDR2 SDRAM (models A2M A3J A4J A5J A6J B1C B2C B3J B4J B5J B6J B7A B7T B8A B8T B8J B9M B9A B9T B9K D1J D2M D2A D2Q D2T D2K D2J D4J)	41X1080	2
3	Memory module, 2GB PC2-6400 (667MHz) DDR2 SDRAM (models D3M D3A D3T D3J)	41X1081	2
4	DVD-ROM Drive - 16x/48x - SATA Vista & non-Vista (models A6J A1S A1P B1C B2C B3J B5J)	41N3325	2

Item #	9953 FRUs	FRU#	CRU
4	DVD-ROM Drive - 16x/48x - With DVD playback software (models A6J A1S A1P B1C B2C B3J B5J)	71Y5543	2
4	DVD Recordable/CD-RW Rambo 8 - SATA Vista & non-Vista (models A2M A3J A4J A5J A7C B4J B6J B7A B7T B8A B8T B8J B9M B9A B9T B9K D1J D2M D2A D2Q D2T D2K D2J D3M D3A D3T D3J D4J)	43C1042	2
4	DVD-RW/CD-RW Rambo 8 - With write software (models A2M A3J A4J A5J A7C B4J B6J B7A B7T B8A B8T B8J B9M B9A B9T B9K D1J D2M D2A D2Q D2T D2K D2J D3M D3A D3T D3J D4J)	71Y5545	2
5	Diskette drive, 3.5" 1.44MB 2 Mode FDD with Bezel and cable (models A3J A6J)	40Y9105	2
5	Diskette drive, 3.5" 1.44MB 2 Mode FDD with Bezel and cable (models A3J A6J)	40Y9107	2
6	Bezel assembly, without IBM mark (all models)	41R6243	2
7	Power switch/LED assembly (all models)	41N5284	2
8	Speaker assembly, soldered terminals (all models)	39P5023	2
9	Front audio/USB assembly (all models)	41N8054	2
10	Hard disk drive, SATA 80GB 7200RPM/3Gb/8MB (models)	40Y9034	2
10	Hard disk drive, SATA 160GB 7200RPM/3Gb/8MB (models A3J A6J A1S A1P A7C B7A B7T B8A B8T B8J D2M D2A D2Q D2T D2K D2J)	40Y9035	2
10	Hard disk drive, SATA 160GB 7200RPM/3Gb/8MB (models A3J A6J A1S A1P A7C B7A B7T B8A B8T B8J D2M D2A D2Q D2T D2K D2J)	53Y6837	2
10	Hard disk drive, SATA 250GB 7200RPM/3Gb/8MB (models A2M A4J A5J B1C B2C B5J B6J B9M B9A B9T B9K D1J D3M D3A D3T D3J)	45K0408	2
10	Hard disk drive, SATA 320GB 7200rpm SATA/8MB (models )	45K0409	2
10	Hard disk drive, SATA 500GB 7200RPM/3Gb/s/8MB (models B3J B4J D4J)	45K0410	2
10	Hard disk drive, SATA 250GB 7200RPM/3Gb/8MB (models A2M A4J A5J B1C B2C B5J B6J B9M B9A B9T B9K D1J D3M D3A D3T D3J)	40Y9036	2
10	Hard disk drive, SATA 320GB 7200rpm SATA/8MB (models)	87H4891	2
10	Hard disk drive, SATA 500GB 7200RPM/3Gb/s/8MB (models B3J B4J D4J)	41X5582	2
11	System board, Planar AMD RS780 mATX (TOWER & ROCKYS) (models A2M A3J A4J A5J A6J A1S A1P A7C B1C B2C B3J B4J B5J B6J B7A B7T B8A B8T B8J B9M B9A B9T B9K D1J D2M D2A D2Q D2T D2K D2J D3M D3A D3T D3J D4J)	71Y5724	N
11	System board, Planar AMD RS780 mATX GA Level - TPM Disable for Russia (models)	71Y4994	N
11	System board, Planar AMD RS780 mATX GA Level - Support Phenom II X2 555 (models 91Z)	89Y1346	N
11	System board, Planar AMD RS780 mATX GA Level -Support Win7 and AM3 C2 CPU (models 91Z)	89Y1809	N
12	System fan, rear (all models)	41R6269	2
12	System fan (all models)	43N9908	2
13	Power supply, ATX 280W (Robust, WW) (models A2M A1S A1P A7C B1C B2C B7A B7T B8A B8T B9M B9A B9T B9K D2M D2A D2Q D2T D2K D3M D3A D3T)	41A9684	2
13	Power supply, ATX 280W 80% (Robust, WW, JP) (models A2M A3J A4J A5J A6J A1S A1P A7C B1C B2C B3J B4J B5J B6J B7A B7T B8A B8T B8J B9M B9A B9T B9K D1J D2M D2A D2Q D2T D2K D2J D3M D3A D3T D3J D4J)	41A9665	2

Item #	9953 FRUs	FRU#	CRU
13	Power supply, ATX 310W (Robust, WW, JP) (models A2M A3J A4J A5J A6J A1S A1P A7C B1C B2C B3J B4J B5J B6J B7A B7T B8A B8T B8J B9M B9A B9T B9K D1J D2M D2A D2Q D2T D2K D2J D3M D3A D3T D3J D4J)	41A9726	2
13	Power supply, 220W (Robust, WW) (models A2M A1S A1P A7C B1C B2C B7A B7T B8A B8T B9M B9A B9T B9K D2M D2A D2Q D2T D2K D3M D3A D3T)	41A9689	N
13	Power supply, 220W only for JP (models A3J A4J A5J A6J B3J B4J B5J B6J B8J D1J D2J D3J D4J)	41A9697	N
13	Power supply, 220W 80% (Robust, WW, JP) (models A2M A3J A4J A5J A6J A1S A1P A7C B1C B2C B3J B4J B5J B6J B7A B7T B8A B8T B8J B9M B9A B9T B9K D1J D2M D2A D2Q D2T D2K D2J D3M D3A D3T D3J D4J)	41A9670	N
13	Power supply, 280W TFX ,Active PFC, (Robust, WW, JP) (models A2M A3J A4J A5J A6J A1S A1P A7C B1C B2C B3J B4J B5J B6J B7A B7T B8A B8T B8J B9M B9A B9T B9K D1J D2M D2A D2Q D2T D2K D2J D3M D3A D3T D3J D4J)	41A9705	N

The FRUs listed in the following tables are not illustrated.

9953 FRUs	FRU#	CRU
Cover (all models)	41N8050	2
Retainer, Card Reader (all models)	41R2913	2
Front Fan AVC (all models)	41R4791	2
HDD Tray (all models)	41R6291	2
FDD cable, 325mm, (all models)	41A7182	2
Cabel -SATA 457mm (RoHS) (all models)	43N9013	2
Cabel-SATA 250mm (RoHS) (all models)	43N9012	2
Optional HDD Bracket Asm (all models)	41R6106	2
EMC Shield (all models)	41N8080	2
EMC Shield (all models)	41N8078	2
Rear IO shield ATX,for RX 780,Atlantic (all models)	41R6383	N
Intrusion Switch Asm (all models)	41R6116	2
Temp Sense cable for Armstrong (460 mm) (all models)	41R2509	2
Blank 5.25" Bezel (all models)	41N8077	2
Asm Chassis Without IBM Mark Atlantic (all models)	41R6408	5
ODD/FDD/Cardreader Retainers (all models)	43N9351	2
AMD thermal KIT (all models)	41R6407	2
Cable Clip, FW-6D (all models)	43N9462	2

9953 Keyboards (Lenovo Preferred Pro USB -- without hub)	FRU#	CRU Tier
USB FULL--US English (models A2M B7A B8A B9M B9A D2M D2A D2Q D3M D3A)	41A5289	1
USB FULL--Arabic (models)	41A5290	1
USB FULL--Arabic/French (models)	41A5291	1
USB FULL--Belgian/French (models)	41A5292	1

<b>9953 Keyboards (Lenovo Preferred Pro USB -- without hub)</b>	<b>FRU#</b>	<b>CRU Tier</b>
USB FULL--Belgium English (models)	41A5293	1
USB FULL--Brazilian Portuguese (models A1P)	41A5294	1
USB FULL--Bulgarian (models)	41A5295	1
USB FULL--Chinese/US (models)	41A5296	1
USB FULL--Czech (ABB) (models)	41A5297	1
USB FULL--Danish (models)	41A5298	1
USB FULL--Dutch (models)	41A5299	1
USB FULL--French (models)	41A5300	1
USB FULL--French Canadian (models)	41A5301	1
USB FULL--French Canadian (models)	41A5302	1
USB FULL--German (models)	41A5303	1
USB FULL--Greek (models)	41A5304	1
USB FULL--Greek/US (models)	41A5305	1
USB FULL--Hebrew (models)	41A5306	1
USB FULL--Hungarian (models)	41A5307	1
USB FULL--Iceland (models)	41A5308	1
USB FULL--Italy (models)	41A5309	1
USB FULL--Japanese (models A3J A4J A5J A6J B3J B4J B5J B6J B8J D1J D2J D3J D4J)	41A5310	1
USB FULL--Korean (models B9K D2K)	41A5311	1
USB FULL--LA Spanish (models A1S)	41A5312	1
USB FULL--Norwegian (models)	41A5313	1
USB FULL--Polish (models)	41A5314	1
USB FULL--Portugese (models)	41A5315	1
USB FULL--Romanian (models)	41A5317	1
USB FULL--Russian/Cyrillic (models)	41A5318	1
USB FULL--Serbian/Cyrillic (models)	41A5319	1
USB FULL--Slovak (models)	41A5320	1
USB FULL--Spanish (models)	41A5321	1
USB FULL--Swedish/Finnish (models)	41A5322	1
USB FULL--Swiss F/G (models)	41A5323	1
USB FULL--Thailand (models B7T B8T B9T D2T D3T)	41A5324	1
USB FULL--Turkish (models)	41A5325	1
USB FULL--Turkish (models)	41A5326	1
USB FULL--UK English (models)	41A5327	1
USB FULL--US Euro (models)	41A5328	1
USB FULL--Slovenian (models)	41A5329	1

<b>9953 Keyboards (Lenovo Fingerprint Reader USB)</b>	<b>FRU#</b>	<b>CRU Tier</b>
US English (models)	41R0038	1
Arabic (models)	41R0039	1
Arabic/French (models)	41R0040	1
Belgian/French (models)	41R0041	1
Belgium English (models)	41R0042	1
Brazilian Portuguese (models)	41R0043	1
Bulgarian (models)	41R0044	1
Chinese/US (models)	41R0045	1
Czech (ABB) (models)	41R0046	1
Danish (models)	41R0047	1
Dutch (models)	41R0048	1
French (models)	41R0049	1
French Canadian (models)	41R0050	1
French Canadian (models)	41R0051	1
German (models)	41R0052	1
Greek (models)	41R0053	1
Greek/US (models)	41R0054	1
Hebrew (models)	41R0055	1
Hungarian (models)	41R0056	1
Iceland (models)	41R0057	1
Italy (models)	41R0058	1
Japanese (models)	41R0059	1
Korean (models)	41R0060	1
LA Spanish (models)	41R0061	1
Norwegian (models)	41R0062	1
Polish (models)	41R0063	1
Portuguese (models)	41R0064	1
Romanian (models)	41R0065	1
Romanian (models)	41R0066	1
Russian/Cyrillic (models)	41R0067	1
Serbian/Cyrillic (models)	41R0068	1
Slovak (models)	41R0069	1
Spanish (models)	41R0070	1
Swedish/Finnish (models)	41R0071	1
Swiss F/G (models)	41R0072	1
Thailand (models)	41R0073	1
Turkish (models)	41R0074	1
Turkish (models)	41R0075	1

<b>9953 Keyboards (Lenovo Fingerprint Reader USB)</b>	<b>FRU#</b>	<b>CRU Tier</b>
UK English (models)	41R0076	1
US Euro (models)	41R0077	1
Slovenian (models)	41R0078	1

<b>9953 Keyboards (Lenovo Preferred Pro PS/2 Full Size)</b>	<b>FRU#</b>	<b>CRU Tier</b>
PS/2 Full--US English (models)	41A5039	1
PS/2 Full--Arabic (models)	41A5040	1
PS/2 Full--Arabic/French (models)	41A5041	1
PS/2 Full--Belgian/French (models)	41A5042	1
PS/2 Full--Belgium English (models)	41A5043	1
PS/2 Full--Brazilian Portuguese (models)	41A5044	1
PS/2 Full--Bulgarian (models)	41A5045	1
PS/2 Full--Chinese/US (models)	41A5046	1
PS/2 Full--Czech (ABB) (models)	41A5047	1
PS/2 Full--Danish (models)	41A5048	1
PS/2 Full--Dutch (models)	41A5049	1
PS/2 Full--French (models)	41A5050	1
PS/2 Full--French Canadian (models)	41A5051	1
PS/2 Full--French Canadian (models)	41A5052	1
PS/2 Full--German (models)	41A5053	1
PS/2 Full--Greek (models)	41A5054	1
PS/2 Full--Greek/US (models)	41A5080	1
PS/2 Full--Hebrew (models)	41A5055	1
PS/2 Full--Hungarian (models)	41A5056	1
PS/2 Full--Iceland (models)	41A5057	1
PS/2 Full--Italy (models)	41A5058	1
PS/2 Full--Japanese (models)	41A5059	1
PS/2 Full--Korean (models)	41A5060	1
PS/2 Full--LA Spanish (models)	41A5061	1
PS/2 Full--Norwegian (models)	41A5062	1
PS/2 Full--Polish (models)	41A5063	1
PS/2 Full--Portugese (models)	41A5064	1
PS/2 Full--Romanian (models)	41A5065	1
PS/2 Full--Russian/Cyrillic (models)	41A5066	1
PS/2 Full--Serbian/Cyrillic (models)	41A5067	1
PS/2 Full--Slovak (models)	41A5068	1
PS/2 Full--Spanish (models)	41A5069	1
PS/2 Full--Swedish/Finnish (models)	41A5070	1



<b>9953 Keyboards (Lenovo Preferred Pro PS/2 Full Size)</b>	<b>FRU#</b>	<b>CRU Tier</b>
PS/2 Full--Swiss F/G (models)	41A5071	1
PS/2 Full--Thailand (models)	41A5072	1
PS/2 Full--Turkish (models)	41A5073	1
PS/2 Full--Turkish (models)	41A5074	1
PS/2 Full--UK English (models)	41A5075	1
PS/2 Full--US Euro (models)	41A5076	1
PS/2 Full--Slovenian (models)	41A5077	1

<b>9953 mice</b>	<b>FRU#</b>	<b>CRU</b>
Optical Wheel Mouse (400DPI, USB) (models A2M A3J A4J A5J A6J A1S A1P A7C B1C B2C B3J B4J B5J B6J B7A B7T B8A B8T B8J B9M B9A B9T B9K D1J D2M D2A D2Q D2T D2K D2J D3M D3A D3T D3J D4J)	41U3013	1
Optical Wheel Mouse (400DPI, USB) (models A2M A3J A4J A5J A6J A1S A1P A7C B1C B2C B3J B4J B5J B6J B7A B7T B8A B8T B8J B9M B9A B9T B9K D1J D2M D2A D2Q D2T D2K D2J D3M D3A D3T D3J D4J)	41U3030	1
PS/2 Three Button ball mouse (41R0017) (models)	41R0018	1

<b>9953 Adapters and miscellaneous FRUs</b>	<b>FRU#</b>	<b>CRU</b>
Internal USB Memory Card Reader floppy bay (models)	41R3378	2
Internal 20 in 1 USB Memory Card Reader (models)	45R8139	1
NVIDIA GeForce 9300 GE 256M Full Height (DVI+VGA) (TOWER) (models CTO)	45R5494	2
ATI HD 2600XT 512MB 128BIT ATX (models)	43C0261	2
IEEE 1394 Firewire Adapter SFF (models)	41D2781	2
IEEE 1394 Firewire Adapter ATX (models)	41D2781	2
Soft Modem V.90/V.44 SFF (models)	29R9729	2
Soft Modem V.90/V.44 ATX (models)	29R9729	2
ATI HD 2400PRO 128MB 64BIT DMS59 ATX (models)	43C0259	2
ATI HD 2400XT 256MB 64BIT DMS59 ATX Secondary (models)	46R4160	2
Speaker Power brick - US, Canada, LA low voltage, ASEAN (models)	89P8571	1
Speaker Power brick - LA high voltage (non-APU) (models)	89P8575	1
Speaker Power brick - SIMPLIFIED -CHN, Thailand EMEA (models A7C A8C A9C B1C B2C)	89P8581	1
Speaker Power brick - Japan (models A3J A4J A5J A6J B3J B4J B5J B6J B8J D1J D2J D3J D4J)	89P8577	1
Speaker Power brick - Brazil (models)	89P8583	1
Speaker Power brick - Argentina (models)	41A4901	1
Speaker Power brick - ANZ (models A2M B9M D2M D3M)	89P8579	1
Speaker Power brick - Korean (models)	41A4903	1
Speaker Power brick - Hong Kong, EMEA (models)	89P8573	1
Speaker Power brick -TAIWAN-TC (models)	41A4905	1
Speaker Power brick - India, South Africa (models D2Q)	89P8585	1

<b>9953 Adapters and miscellaneous FRUs</b>	<b>FRU#</b>	<b>CRU</b>
Dongle DMS Dule DMS-59 to dual VGA Cable (models)	42Y8181	2
Dongle DMS Dule DMS-59 to dual DVI Cable (models)	41X6398	2
Dongle DMS Dule DMS-59 to single VGA & single DVI Cable (models)	42Y8183	2
2-pc external speaker--primary (models)	41A5331	1
2-pc external speaker-secondary (models)	41A5334	1
DVI-I(M)-VGA(F) cord (models)	41R3342	2
Battery 3V- Lithium (models A2M A3J A4J A5J A6J A1S A1P A7C B1C B2C B3J B4J B5J B6J B7A B7T B8A B8T B8J B9M B9A B9T B9K D1J D2M D2A D2Q D2T D2K D2J D3M D3A D3T D3J D4J)	45C1566	1
HD 3470 256M 64bit DP ATX/LP (models)	46R1521	2
DP to DVI dongle (models)	43N9160	2
Bitland 88E8075 1000M PCIE DASH NIC FH (R)(Rocky) (models)	53Y4008	2
AMD Display Port card LP® (Rocky) (models)	53Y4002	1
MSI 9500GT 512MB 128BIT ATX (TOWER) (models)	46R1524	2

<b>9953 Power Cords</b>	<b>FRU#</b>	<b>CRU</b>
Power cord - US (models A1S B7A B7T B8A B8T B9A B9T D2A D2T D3A D3T)	41R3184	1
Power cord - US (models A1S B7A B7T B8A B8T B9A B9T D2A D2T D3A D3T)	41R3185	1
Power cord - China (models A7C B1C B2C)	41R3256	1
Power cord - China (models A7C B1C B2C)	41R3257	1
Power cord - Japanese and Japanese English (models A3J A4J A5J A6J B3J B4J B5J B6J B8J D1J D2J D3J D4J)	41R3248	1
Power cord - Japanese and Japanese English (models A3J A4J A5J A6J B3J B4J B5J B6J B8J D1J D2J D3J D4J)	41R3249	1
Power cord - Brazil (Portigese) (models)	41R3270	1
Power cord - Brazil (Portigese) (models)	41R3271	1
Power cord - LA High Volt (APU) (models)	41R3176	1
Power cord - LA High Volt (APU) (models)	41R3177	1
Power cord - ANZ (models)	41R3196	1
Power cord - ANZ (models)	41R3197	1
Power cord - Korea (models)	41R3260	1
Power cord - Korea (models)	41R3261	1
Power cord - UK, Ireland, Singapore, Malaysia, Brunei, Hongkong (models)	41R3224	1
Power cord - UK, Ireland, Singapore, Malaysia, Brunei, Hongkong (models)	41R3225	1
Power cord - Taiwan (models)	41R3278	1
Power cord - Taiwan (models)	41R3279	1
Power cord - Italy (models)	41R3232	1
Power cord - Italy (models)	41R3233	1
Power cord - Indonesia, Laos, Cambodia, Vietnam, Austria, Belgium, Croatia, Czechoslovakia, Finland, France, Germany, Hungary, Netherlands, Norway, Poland, Portugal, Romania, Spain, Sweden (models A1S B7A B7T B8A B8T B9A B9T D2A D2T D3A D3T)	41R3208	1

<b>9953 Power Cords</b>	<b>FRU#</b>	<b>CRU</b>
Power cord - Indonesia, Laos, Cambodia, Vietnam, Austria, Belgium, Croatia, Czechoslovakia, Finland, France, Germany, Hungary, Netherlands, Norway, Poland, Portugal, Romania, Spain, Sweden (models A1S B7A B7T B8A B8T B9A B9T D2A D2T D3A D3T)	41R3209	1
Power cord - Denmark (models)	41R3212	1
Power cord - Denmark (models)	41R3213	1
Power cord - Switzerland (models)	41R3228	1
Power cord - Switzerland (models)	41R3229	1
Power cord - Israel (models)	41R3236	1
Power cord - Israel (models)	41R3237	1
Power cord - South Africa (models A2M B7A B8A B9M B9A D2M D2A D3M D3A)	41R3220	1
Power cord - South Africa (models A2M B7A B8A B9M B9A D2M D2A D3M D3A)	41R3221	1
Power cord - India (models D2Q)	41R3341	1
Power cord - India (models D2Q)	41R3175	1
Power cord - Thailand (models)	43N9029	1
Power cord - Thailand (models)	43N9030	1
Power cord - Brazil (models)	43N9044	1

<b>9953 Windows XP Home Recovery CDs</b>	<b>FRU#</b>	<b>CRU</b>
US English/UK/Asia Pacific (models)	TBD	1
French/French Canadian (models)	TBD	1
Greek (models)	TBD	1
Italy (models)	TBD	1
Brazilian (models)	TBD	1
Spanish/LA (models)	TBD	1
Danish (models)	TBD	1
Dutch (models)	TBD	1
Arabic (models)	TBD	1
SV (Swedish) (models)	TBD	1
Hebrew (models)	TBD	1
Finnish (models)	TBD	1
Norwegian (models)	TBD	1
Polish (models)	TBD	1
Portuguese (models)	TBD	1
Russian (models)	TBD	1
Russian English (models)	TBD	1
Hungarian (models)	TBD	1
Czech (models)	TBD	1
Turkish native (models)	TBD	1
Greek (models)	TBD	1
Japanese (models)	TBD	1

<b>9953 Windows XP Home Recovery CDs</b>	<b>FRU#</b>	<b>CRU</b>
Simplified Chinese (models)	TBD	1
Taiwan-TC (models)	TBD	1
Hong Kong-TC (models)	TBD	1
Korean (models)	TBD	1

<b>9953 Windows XP Pro Recovery CDs</b>	<b>FRU#</b>	<b>CRU</b>
English (models D2M D2A D2Q)	64Y5588	1
Japanese (models B3J B4J B5J B6J D2J)	64Y6202	1
Simplified Chinese (models)	64Y5590	1
Spanish (models)	64Y5591	1
French (models)	64Y5592	1
Italian (models)	64Y5593	1
Brazilian Portuguese (models)	64Y5594	1
German (models)	64Y5595	1
Hong Kong (models)	64Y5596	1
Swedish (models)	64Y5597	1
Danish (models)	64Y5598	1
Norway (models)	64Y5599	1
Finland (models)	64Y5600	1
Arabic (models)	64Y5601	1
Traditional Chinese (models)	64Y5602	1
Russian (models)	64Y5603	1
Polish (models)	64Y5604	1
Hebrew (models)	64Y5605	1
Korea (models B9K D2K)	64Y5606	1
Greek (models)	64Y5607	1
Turkish (models)	64Y5608	1
Dutch (models)	64Y5609	1
Slovenian (models)	64Y5610	1
Hungarian (models)	64Y5611	1
Czech (models)	64Y5612	1
Portuguese (models)	64Y5613	1
Russian English (models)	64Y5614	1
MUI Nordics (EN-DK-FI-NO-SV) (models D2M D2A D2Q)	71Y6401	1
MUI Switz (EN-FR-GR-IT) (models D2M D2A D2Q)	71Y6402	1
MUI Bel-Lux (EN-FR-GR-NL) (models CTO)	71Y6403	1

<b>9953 Vista Home Basic 32 Recovery CDs</b>	<b>FRU#</b>	<b>CRU</b>
US English (models)	46R8053	1
French (models)	46R8057	1
German (models)	46R8060	1
Spanish (models)	46R8056	1
Brazilian (models)	46R8059	1
Italian (models)	46R8058	1
Japanese (models)	64Y6207	1
Dutch (models)	46R8070	1
Czech (models)	46R8074	1
Polish (models)	46R8065	1
Russian (models)	46R8064	1
Turkish (models)	46R8069	1
Hungarian (models)	46R8073	1
Greek (models)	46R8068	1
Portuguese (models)	46R8077	1
Hong Kong (models)	46R8061	1
Traditional Chinese (models)	46R8063	1
Korean (models)	46R8067	1
Slovenian (models)	46R8071	1
Russian English (models)	46R8078	1
Hebrew (models)	46R8066	1
Arabic Localized (models)	46R8062	1
Slovakian (models)	46R8075	1
Simplified Chinese (models)	46R8055	1
Serbian-Latin (models)	46R8076	1
Romanian (models)	46R8072	1
Belgium-Luxembourg (models)	53Y4230	1
Switzerland (models)	53Y4231	1
Nordics (models)	53Y4232	1

<b>9953 Vista Business 32 Recovery CDs</b>	<b>FRU#</b>	<b>CRU</b>
US English (models A2M B8A B9M B9A D3M D3A)	46R8079	1
French (models)	46R8083	1
German (models)	46R8086	1
Spanish (models)	46R8082	1
Brazilian (models)	46R8085	1
Italian (models)	46R8084	1
Japanese (models A3J A4J A5J A6J B8J D1J D3J D4J)	64Y6205	1
English for Indian (models)	64Y9435	1

<b>9953 Vista Business 32 Recovery CDs</b>	<b>FRU#</b>	<b>CRU</b>
Dutch (models)	46R8096	1
Czech (models)	46R8100	1
Polish (models)	46R8091	1
Russian (models)	46R8090	1
Turkish (models)	46R8095	1
Hungarian (models)	46R8099	1
Greek (models)	46R8094	1
Portuguese (models)	46R8103	1
Simplified Chinese (models A7C)	46R8081	1
Hong Kong (models)	46R8087	1
Traditional Chinese (models)	46R8089	1
Korean (models B9K)	46R8093	1
Slovenian (models)	46R8097	1
Russian English (models)	46R8104	1
Romanian (models)	46R8098	1
Sebian-Latin (models)	46R8102	1
Hebrew (models)	46R8092	1
Arabic Localized (models)	46R8088	1
Slovakian (models)	46R8101	1
Belgium-Luxembourg (models A2M B8A B9M B9A D3M D3A)	53Y4233	1
Switzerland (models A2M B8A B9M B9A D3M D3A)	53Y4234	1
Nordics (models)	53Y4235	1

<b>9953 Vista Premium 32 Recovery CDs</b>	<b>FRU#</b>	<b>CRU</b>
US English (models)	46R8141	1
French (models)	46R8143	1
German (models)	46R8144	1
Spanish (models)	46R8145	1
Italian (models)	46R8146	1
Japanese (models)	64Y6208	1
Hong Kong (models)	46R8147	1
Korean (models)	46R8148	1
Athens Vista SP1 MUL 1 P/N's VHP32 (EN FR GR NL) (models)	53Y4236	1
Athens Vista SP1 MUL 2 P/N's VHP32 (EN FR GR IT) (models)	53Y4237	1
Athens Vista SP1 MUL 3P/N's VHP32 (EN DK FI NO SV) (models)	53Y4238	1

<b>9953 Vista Business 64 Recovery CDs</b>	<b>FRU#</b>	<b>CRU</b>
US English (models)	46R8131	1
French (models)	46R8134	1

<b>9953 Vista Business 64 Recovery CDs</b>	<b>FRU#</b>	<b>CRU</b>
German (models)	46R8135	1
Japanese (models)	64Y6210	1
Simplified Chinese (models)	46R8133	1
Athens Vista SP1 MUL 1 P/N's VU32 (EN DK FI NO SV) (models)	53Y4239	1

<b>9953 Vista Ultimate 32 Recovery CDs</b>	<b>FRU#</b>	<b>CRU</b>
US English (models)	46R8149	1
Japanese (models)	64Y6209	1
French (models)	46R8151	1
German (models)	46R8152	1
Spanish (models)	46R8153	1
Italian (models)	46R8154	1
Hong Kong (models)	46R8155	1
Arabic Localized (models)	46R8156	1

<b>9953 Vista Starter 32 Recovery CDs</b>	<b>FRU#</b>	<b>CRU</b>
English (models)	46R8052	1

<b>9935 Vista Home Premium 64 Recovery CDs</b>	<b>FRU#</b>	<b>CRU</b>
US (models)	71Y6634	1
French (models)	71Y6635	1

<b>9935 Win7 Professional 32</b>	<b>FRU#</b>	<b>CRU</b>
Brazilian Portuguese (all models)	89Y0454	1





---

## Chapter 11. Additional Service Information

This chapter provides additional information that the service representative might find helpful.

---

### Security features

Security features in this section include the following:

- Passwords
- Vital Product Data
- Management Information Format (MIF)

### Hardware controlled Passwords

Hardware controlled passwords are set using the Setup Utility program. For more information about passwords, see "Using passwords" on page 39.

### Operating system password

An operating system password is very similar to a power-on password and denies access to the computer by an unauthorized user when the password is activated. The computer is unusable until the password is entered and recognized by the computer.

### Vital product data

Each computer has a unique Vital Product Data (VPD) code stored in the nonvolatile memory on the system board. After you replace the system board, the VPD must be updated. To update the VPD, see "Flash update procedures" on page 467.

---

### BIOS levels

An incorrect level of BIOS can cause false errors and unnecessary FRU replacement. Use the following information to determine the current level of BIOS installed in the computer, the latest BIOS available for the computer, and where to obtain the latest level of BIOS.

- To determine the current Level of BIOS:
  - Start the Setup Utility.
  - Select Standard CMOS Features.
- Sources for obtaining the latest level BIOS available
  1. Lenovo support web site: <http://www.lenovo.com/support/>
  2. Lenovo Customer Support Center
  3. Levels 1 and 2 Support

To update (flash) the BIOS, see "Flash update procedures" on page 467.

---

### Flash update procedures

This section details how to flash (update) the BIOS.

## Updating (flashing) BIOS from a diskette

1. Insert a system program update (flash) diskette into the diskette drive. system program updates are available at <http://www.lenovo.com/support> on the World Wide Web.
2. Turn on the computer. If it is already on, you must turn it off and back on. The update begins.
3. Follow the instructions on the screen to complete the update.

---

## Recovering from a POST/BIOS update failure

If the power to your computer is interrupted while POST/BIOS is being updated (flash update), your computer might not restart correctly. If this happens, perform the following procedure which is commonly called Boot-block Recovery.

1. Turn off the computer and any attached devices, such as printers, monitors, and external drives.
2. Unplug all power cords from electrical outlets and remove the computer cover. Refer to "Removing the cover" on page 68.
3. Access the system board. Refer to "Locating parts on the system board" on page 71.
4. Locate the Clear CMOS/Recovery jumper on the system board. Refer to "Locating parts on the system board" on page 71.
5. Remove any cables that impede access to the Clear CMOS/Recovery jumper.
6. Move the jumper from the standard position (pin 1 and pin 2) to pin 2 and pin 3.
7. Reconnect any cables that were disconnected. Refer to "Completing the FRU replacement" on page 91.
8. Close the computer cover and reconnect the power cords for the computer and monitor to electrical outlets.
9. Insert the POST/BIOS update (flash) floppy diskette or CD-ROM into the drive, and turn on the computer and the monitor.
10. The recovery session will take two to three minutes. During this time you will hear a series of beeps. After the update session is completed, there will be no video, the series of beeps will end, and the system will automatically turn off. Remove the diskette from the diskette drive or disc from the optical drive.
11. Repeat steps 2 through 5 on page 468.
12. Replace the Clear CMOS/Recovery jumper to the standard position (pin 1 and pin 2).
13. Reconnect any cables that were disconnected. Refer to "Completing the FRU replacement" on page 91.
14. Close the computer cover and reconnect the power cords for the computer and monitor to electrical outlets.
15. Turn on the computer to restart the operating system.

---

## Power management

Power management reduces the power consumption of certain components of the computer such as the system power supply, processor, hard disk drives, and some monitors.

## Automatic configuration and power interface (ACPI) BIOS

Being an ACPI BIOS system, the operating system is allowed to control the power management features of the computer and the setting for Advanced Power Management (APM) BIOS mode is ignored. Not all operating systems support ACPI BIOS mode.

## Automatic Power-On features

The Automatic Power-On features within the Power Management menu allow you to enable and disable features that turn on the computer automatically.

- **Serial Port A Ring Detect:** With this feature set to **Enabled** and an external modem connected to serial port (COM1), the computer will turn on automatically when a ring is detected on the modem.
- **PCI Modem Ring Detect:** With this feature set to **Enabled**, the computer will turn on automatically when a ring is detected on the internal modem.
- **PCI Wake Up:** This feature allows PCI cards that support this capability to wake the system.
- **Wake Up on Alarm:** You can specify a date and time at which the computer will be turned on automatically. This can be either a single event or a daily event.
- **Wake on LAN:** If the computer has a properly configured token-ring or Ethernet LAN adapter card that is Wake on LAN-enabled and there is remote network management software, you can use the Wake on LAN feature. When you set Wake on LAN to **Enabled**, the computer will turn on when it receives a specific signal from another computer on the local area network (LAN).



---

## Appendix A. Notices

Lenovo may not offer the products, services, or features discussed in this document in all countries. Consult your local Lenovo representative for information on the products and services currently available in your area. Any reference to a Lenovo product, program, or service is not intended to state or imply that only that Lenovo product, program, or service may be used. Any functionally equivalent product, program, or service that does not infringe any Lenovo intellectual property right may be used instead. However, it is the user's responsibility to evaluate and verify the operation of any other product, program, or service.

Lenovo may have patents or pending patent applications covering subject matter described in this document. The furnishing of this document does not give you any license to these patents. You can send license inquiries, in writing, to:

*Lenovo (United States), Inc.  
1009 Think Place - Building One  
Morrisville, NC 27560  
U.S.A.  
Attention: Lenovo Director of Licensing*

LENOVO PROVIDES THIS PUBLICATION "AS IS" WITHOUT WARRANTY OF ANY KIND, EITHER EXPRESS OR IMPLIED, INCLUDING, BUT NOT LIMITED TO, THE IMPLIED WARRANTIES OF NON-INFRINGEMENT, MERCHANTABILITY OR FITNESS FOR A PARTICULAR PURPOSE. Some jurisdictions do not allow disclaimer of express or implied warranties in certain transactions, therefore, this statement may not apply to you.

This information could include technical inaccuracies or typographical errors. Changes are periodically made to the information herein; these changes will be incorporated in new editions of the publication. Lenovo may make improvements and/or changes in the product(s) and/or the program(s) described in this publication at any time without notice.

The products described in this document are not intended for use in implantation or other life support applications where malfunction may result in injury or death to persons. The information contained in this document does not affect or change Lenovo product specifications or warranties. Nothing in this document shall operate as an express or implied license or indemnity under the intellectual property rights of Lenovo or third parties. All information contained in this document was obtained in specific environments and is presented as an illustration. The result obtained in other operating environments may vary.

Lenovo may use or distribute any of the information you supply in any way it believes appropriate without incurring any obligation to you.

Any references in this publication to non-Lenovo Web sites are provided for convenience only and do not in any manner serve as an endorsement of those Web sites. The materials at those Web sites are not part of the materials for this Lenovo product, and use of those Web sites is at your own risk.

Any performance data contained herein was determined in a controlled environment. Therefore, the result obtained in other operating environments may vary significantly. Some measurements may have been made on development-level systems and there is no guarantee that these measurements will be the same on generally available systems. Furthermore, some measurements may have been estimated through extrapolation. Actual results may vary. Users of this document should verify the applicable data for their specific environment.

---

## Television output notice

The following notice applies to models that have the factory-installed television-output feature.

This product incorporates copyright protection technology that is protected by method claims of certain U.S. patents and other intellectual property rights owned by Macrovision Corporation and other rights owners. Use of this copyright protection technology must be authorized by Macrovision Corporation, and is intended for home and other limited viewing uses only unless otherwise authorized by Macrovision Corporation. Reverse engineering or disassembly is prohibited.

---

## Trademarks

The following terms are trademarks of Lenovo in the United States, other countries, or both:

- Lenovo
- The Lenovo logo
- ThinkCentre
- PS/2
- Rescue and Recovery

The following terms are trademarks of International Business Machines Corporation in the United States, other countries, or both:

- Asset ID
- Alert on LAN
- IBM (used under license)
- Wake on LAN

AMD is a trademark of Advanced Micro Devices, Inc.

Microsoft, Windows, and Windows Vista are trademarks of the Microsoft group of companies.

Other company, product, or service names may be trademarks or service marks of others.



**lenovo**®

Part Number: 45C6430

Printed in USA

(1P) P/N: 45C6430





## Free Manuals Download Website

<http://myh66.com>

<http://usermanuals.us>

<http://www.somanuals.com>

<http://www.4manuals.cc>

<http://www.manual-lib.com>

<http://www.404manual.com>

<http://www.luxmanual.com>

<http://aubethermostatmanual.com>

Golf course search by state

<http://golfingnear.com>

Email search by domain

<http://emailbydomain.com>

Auto manuals search

<http://auto.somanuals.com>

TV manuals search

<http://tv.somanuals.com>