

***lenovo***

# Hardware Maintenance Manual



**ThinkThinkThinkCentreThink**

Machine Types: 3425, 3980, 5214, and 5354





# Hardware Maintenance Manual

Machine Types: 3425, 3980, 5214, and 5354

## **Notes**

1. The Lenovo personal computer machine types 3425, 3980, 5214, and 5354 are certified to be sold and used only in Japan. All the information in this manual applies only to the foregoing machine types.
2. Before using this information and the product it supports, be sure to read and understand the Chapter 2 “Safety information” on page 3 and Appendix A “Notices” on page 101.

**Third Edition (December 2010)**

**© Copyright Lenovo 2009, 2010.**

LENOVO products, data, computer software, and services have been developed exclusively at private expense and are sold to governmental entities as commercial items as defined by 48 C.F.R. 2.101 with limited and restricted rights to use, reproduction and disclosure.

LIMITED AND RESTRICTED RIGHTS NOTICE: If products, data, computer software, or services are delivered pursuant a General Services Administration “GSA” contract, use, reproduction, or disclosure is subject to restrictions set forth in Contract No. GS-35F-05925.

---

# Contents

## Chapter 1. About this manual . . . . . 1

Important safety information . . . . .	1
Important information about replacing RoHS compliant FRUs . . . . .	1

## Chapter 2. Safety information . . . . . 3

General safety . . . . .	3
Electrical safety . . . . .	3
Voltage-selection switch . . . . .	5
Safety inspection guide . . . . .	5
Handling electrostatic discharge-sensitive devices . . . . .	6
Grounding requirements . . . . .	6
Safety notices (multi-lingual translations) . . . . .	6

## Chapter 3. General information. . . . . 29

Online Books folder. . . . .	29
Lenovo ThinkVantage Tools . . . . .	29
ThinkVantage Productivity Center . . . . .	29
Lenovo Welcome. . . . .	30
Access Help . . . . .	30
Additional information resources . . . . .	30
Specifications . . . . .	30

## Chapter 4. General checkout. . . . . 33

Checking for power problems. . . . .	33
Problem determination tips. . . . .	34

## Chapter 5. Diagnostics . . . . . 37

Lenovo ThinkVantage Toolbox . . . . .	37
Lenovo System Toolbox . . . . .	37
PC-Doctor for Rescue and Recovery . . . . .	38
PC-Doctor for DOS. . . . .	38
Creating a diagnostic disc . . . . .	38
Running the diagnostic program from a diagnostic disc. . . . .	38
Navigating through the diagnostics programs . . . . .	39
Running tests . . . . .	39
Viewing the test log . . . . .	40

## Chapter 6. Using the Setup Utility . . . . . 41

Starting the Setup Utility program . . . . .	41
Viewing and changing settings . . . . .	41
Using passwords. . . . .	41
Password considerations. . . . .	41
Set User Password . . . . .	42
Change Supervisor Password . . . . .	42

Setting, changing, and deleting a password . . . . .	42
Enabling or disabling a device . . . . .	42
Selecting a startup device . . . . .	43
Selecting a temporary startup device . . . . .	43
Selecting or changing the startup device sequence . . . . .	43
Exiting from the Setup Utility program . . . . .	43

## Chapter 7. Symptom-to-FRU index . . . . . 45

Hard disk drive boot error . . . . .	45
Diagnostic error codes . . . . .	45
Beep symptoms . . . . .	61
POST error codes . . . . .	61
Miscellaneous error messages . . . . .	62
Undetermined problems . . . . .	64

## Chapter 8. Replacing FRUs. . . . . 65

Locations. . . . .	65
Locating connectors on the front of your computer . . . . .	65
Locating connectors on the rear of your computer . . . . .	65
Locating components . . . . .	66
Locating parts on the system board . . . . .	67
Removing the computer cover . . . . .	68
Removing and reinstalling the front bezel . . . . .	69
Installing or replacing a memory module . . . . .	70
Replacing the battery . . . . .	72
Replacing the hard disk drive . . . . .	73
Replacing the optical drive . . . . .	74
Replacing the heat sink . . . . .	76
Replacing the system fan assembly . . . . .	77
Replacing the microprocessor . . . . .	79
Replacing the system board . . . . .	82
Replacing the ac power adapter. . . . .	83
Completing the parts replacement . . . . .	84

## Chapter 9. FRU lists . . . . . 87

Machine Type 3425 . . . . .	87
Machine Type 3980 . . . . .	90
Machine Type 5214 . . . . .	93
Machine Type 5354 . . . . .	96

## Chapter 10. Additional service information . . . . . 99

Security features . . . . .	99
Hardware controlled passwords . . . . .	99
Operating system password . . . . .	99

Vital Product Data . . . . .	99
BIOS levels . . . . .	99
Updating (flashing) BIOS from a disc . . . . .	99
Recovering from a POST/BIOS update failure . . . . .	100
Power management . . . . .	100
Automatic configuration and power interface (ACPI) BIOS . . . . .	100

Automatic Power-On features . . . . .	100
---------------------------------------	-----

**Appendix A. Notices . . . . . 101**

Television output notice . . . . .	102
------------------------------------	-----

Trademarks . . . . .	102
----------------------	-----

---

## Chapter 1. About this manual

This manual contains service and reference information for ThinkCentre® computer machine types listed on the front cover. This manual is intended only for trained Service Providers who are familiar with Lenovo® computer products.

**Note:** Be sure to read and understand the Chapter 2 “Safety information” on page 3 and Appendix A “Notices” on page 101 before using the information in this manual.

This manual includes a complete Field Replaceable Unit (FRU) part number list for each machine type listed on the front cover. If you have Internet access, the FRU part numbers are also available at:<http://www.lenovo.com/support>

---

### Important safety information

Be sure to read all caution and danger statements in this manual before performing any of the instructions.

Veillez lire toutes les consignes de type DANGER et ATTENTION du présent document avant d'exécuter les instructions.

Lesen Sie unbedingt alle Hinweise vom Typ "ACHTUNG" oder "VORSICHT" in dieser Dokumentation, bevor Sie irgendwelche Vorgänge durchführen

Leggere le istruzioni introdotte da ATTENZIONE e PERICOLO presenti nel manuale prima di eseguire una qualsiasi delle istruzioni

Certifique-se de ler todas as instruções de cuidado e perigo neste manual antes de executar qualquer uma das instruções

Es importante que lea todas las declaraciones de precaución y de peligro de este manual antes de seguir las instrucciones.

تأكد من قراءة كل التحذيرات الموجودة في هذا الكتاب قبل اتباع هذه التعليمات .

执行任何说明之前，请确保已阅读本书中的所有警告和危险声明。

執行任何指示前，請確實閱讀本書中的所有警告及危險聲明。

ודאו שקראתם את כל הודעות האזהרה והסכנה במסמך זה לפני שתבצעו פעולה כלשהי.

본 사용 설명서에 기재된 내용을 실행하기 전에 모든 주의사항 및 위험사항을 숙지하십시오.

---

### Important information about replacing RoHS compliant FRUs

**RoHS, the Restriction of Hazardous Substances in Electrical and Electronic Equipment Directive (2002/95/EC) is a European Union legal requirement affecting the global electronics industry. RoHS requirements must be implemented on Lenovo products placed on the market and sold in the European Union after June, 2006. Products on the market before June, 2006 are not required to have RoHS compliant parts. If the parts are not compliant originally, replacement parts can also be noncompliant, but in all cases, if the parts are compliant, the replacement parts must also be compliant.**

**Note:** RoHS and non-RoHS FRU part numbers with the same fit and function are identified with unique FRU part numbers.

Lenovo plans to transition to RoHS compliance well before the implementation date and expects its suppliers to be ready to support Lenovo's requirements and schedule in the EU. Products sold in 2005 will contain some RoHS compliant FRUs. The following statement pertains to these products and any product Lenovo produces containing RoHS compliant parts.

RoHS compliant ThinkCentre parts have unique FRU part numbers. Before or after June 2006, failed RoHS compliant parts must always be replaced using RoHS compliant FRUs, so only the FRUs identified as compliant in the system hardware maintenance manual manor direct substitutions for those FRUs can be used.

Products marketed before June 2006		Products marketed after June 2006	
Current or original part	Replacement FRU	Current or original part	Replacement FRU
Non-RoHS	Can be Non-RoHS	Must be RoHS	Must be RoHS
Non-RoHS	Can be RoHS		
Non-RoHS	Can substitute to RoHS		
RoHS	Must be RoHS		

**Note:** A direct substitution is a part with a different FRU part number that is automatically shipped by the distribution center at the time of order.



---

## Chapter 2. Safety information

This chapter contains the safety information that you need to be familiar with before servicing a computer.

---

### General safety

Follow these rules to ensure general safety:

- Observe good housekeeping in the area of the machines during and after maintenance.
- When lifting any heavy object:
  1. Ensure you can stand safely without slipping.
  2. Distribute the weight of the object equally between your feet.
  3. Use a slow lifting force. Never move suddenly or twist when you attempt to lift.
  4. Lift by standing or by pushing up with your leg muscles; this action removes the strain from the muscles in your back. *Do not attempt to lift any objects that weigh more than 16 kg (35 lb) or objects that you think are too heavy for you.*
- Do not perform any action that causes hazards to the customer, or that makes the equipment unsafe.
- Before you start the machine, ensure that other service representatives and the customer's personnel are not in a hazardous position.
- Place removed covers and other parts in a safe place, away from all personnel, while you are servicing the machine.
- Keep your tool case away from walk areas so that other people will not trip over it.
- Do not wear loose clothing that can be trapped in the moving parts of a machine. Ensure that your sleeves are fastened or rolled up above your elbows. If your hair is long, fasten it.
- Insert the ends of your necktie or scarf inside clothing or fasten it with a nonconductive clip, approximately 8 centimeters (3 inches) from the end.
- Do not wear jewelry, chains, metal-frame eyeglasses, or metal fasteners for your clothing. **Remember:** Metal objects are good electrical conductors.
- Wear safety glasses when you are: hammering, drilling, soldering, cutting wire, attaching springs, using solvents, or working in any other conditions that might be hazardous to your eyes.
- After service, reinstall all safety shields, guards, labels, and ground wires. Replace any safety device that is worn or defective.
- Reinstall all covers correctly before returning the machine to the customer.

---

### Electrical safety



#### **CAUTION:**

**Electrical current from power, telephone, and communication cables can be hazardous. To avoid personal injury or equipment damage, disconnect the attached power cords, telecommunication systems, networks, and modems before you open the server/workstation covers, unless instructed otherwise in the installation and configuration procedures.**

Observe the following rules when working on electrical equipment.

**Important:** Use only approved tools and test equipment. Some hand tools have handles covered with a soft material that does not insulate you when working with live electrical currents. Many customers have, near their equipment, rubber floor mats that contain small conductive fibers to decrease electrostatic discharges. Do not use this type of mat to protect yourself from an electric shock.

- Find the room emergency power-off (EPO) switch, disconnecting switch, or electrical outlet. If an electrical accident occurs, you can then operate the switch or unplug the power cord quickly.
- Do not work alone under hazardous conditions or near equipment that has hazardous voltages.
- Disconnect all power before:
  - Performing a mechanical inspection
  - Working near power supplies
  - Removing or installing Field Replaceable Units (FRU)
- Before you start to work on the machine, unplug the power cord. If you cannot unplug it, ask the customer to power-off the wall box that supplies power to the machine and to lock the wall box in the off position.
- If you need to work on a machine that has exposed electrical circuits, observe the following precautions:
  - Ensure that another person, familiar with the power-off controls, is near you. **Remember:** Another person must be there to switch off the power, if necessary.
  - Use only one hand when working with powered-on electrical equipment; keep the other hand in your pocket or behind your back. **Remember:** There must be a complete circuit to cause an electric shock. By observing the above rule, you may prevent a current from passing through your body.
  - When using a tester, set the controls correctly and use the approved probe leads and accessories for that tester.
  - Stand on suitable rubber mats (obtained locally, if necessary) to insulate you from grounds such as metal floor strips and machine frames.

Observe the special safety precautions when you work with very high voltages; these instructions are in the safety sections of maintenance information. Use extreme care when measuring high voltages.

- Regularly inspect and maintain your electrical hand tools for safe operational condition.
- Do not use worn or broken tools and testers.
- *Never assume* that power has been disconnected from a circuit. First, *check* that it has been powered-off.
- Always look carefully for possible hazards in your work area. Examples of these hazards are moist floors, nongrounded power extension cables, power surges, and missing safety grounds.
- Do not touch live electrical circuits with the reflective surface of a plastic dental mirror. The surface is conductive; such touching can cause personal injury and machine damage.
- Do not service the following parts with the power on when they are removed from their normal operating places in a machine:
  - Power supply units
  - Pumps
  - Blowers and fans
  - Motor generatorsand similar units. (This practice ensures correct grounding of the units.)
- If an electrical accident occurs:
  - Use caution; do not become a victim yourself.
  - Switch off power.
  - Send another person to get medical aid.

---

## Voltage-selection switch

Some computers are equipped with a voltage-selection switch located near the power-cord connection point on the computer. If your computer has a voltage-selection switch, ensure that you set the switch to match the voltage available at your electrical outlet. Setting the voltage-selection switch incorrectly can cause permanent damage to the computer.

If your computer does not have a voltage-selection switch, your computer is designed to operate only at the voltage provided in the country or region where the computer was originally purchased.

If you relocate your computer to another country, be aware of the following:

- If your computer does not have a voltage-selection switch, do not connect the computer to an electrical outlet until you have verified that the voltage provided is the same as it was in the country or region where the computer was originally purchased.
- If your computer has a voltage-selection switch, do not connect the computer to an electrical outlet until you have verified that the voltage-selection switch is set to match the voltage provided in that country or region.

If you are not sure of the voltage provided at your electrical outlet, contact your local electric company or refer to official Web sites or other literature for travelers to the country or region where you are located.

---

## Safety inspection guide

The intent of this inspection guide is to assist you in identifying potentially unsafe conditions on these products. Each machine, as it was designed and built, had required safety items installed to protect users and service personnel from injury. This guide addresses only those items. However, good judgment should be used to identify potential safety hazards due to attachment of features or options not covered by this inspection guide.

If any unsafe conditions are present, you must determine how serious the apparent hazard could be and whether you can continue without first correcting the problem.

Consider these conditions and the safety hazards they present:

- Electrical hazards, especially primary power (primary voltage on the frame can cause serious or fatal electrical shock).
- Explosive hazards, such as a damaged CRT face or bulging capacitor
- Mechanical hazards, such as loose or missing hardware

The guide consists of a series of steps presented in a checklist. Begin the checks with the power off, and the power cord disconnected.

Checklist:

1. Check exterior covers for damage (loose, broken, or sharp edges).
2. Power-off the computer. Disconnect the power cord.
3. Check the power cord for:
  - a. A third-wire ground connector in good condition. Use a meter to measure third-wire ground continuity for 0.1 ohm or less between the external ground pin and frame ground.
  - b. The power cord should be the appropriate type as specified in the parts listings.
  - c. Insulation must not be frayed or worn.
4. Remove the cover.

5. Check for any obvious alterations. Use good judgment as to the safety of any alterations.
6. Check inside the unit for any obvious unsafe conditions, such as metal filings, contamination, water or other liquids, or signs of fire or smoke damage.
7. Check for worn, frayed, or pinched cables.
8. Check that the power-supply cover fasteners (screws or rivets) have not been removed or tampered with.

---

## Handling electrostatic discharge-sensitive devices

Any computer part containing transistors or integrated circuits (ICs) should be considered sensitive to electrostatic discharge (ESD). ESD damage can occur when there is a difference in charge between objects. Protect against ESD damage by equalizing the charge so that the machine, the part, the work mat, and the person handling the part are all at the same charge.

1. Use product-specific ESD procedures when they exceed the requirements noted here.
2. Make sure that the ESD protective devices you use have been certified (ISO 9000) as fully effective.

When handling ESD-sensitive parts:

- Keep the parts in protective packages until they are inserted into the product.
- Avoid contact with other people while handling the part.
- Wear a grounded wrist strap against your skin to eliminate static on your body.
- Prevent the part from touching your clothing. Most clothing is insulative and retains a charge even when you are wearing a wrist strap.
- Use the black side of a grounded work mat to provide a static-free work surface. The mat is especially useful when handling ESD-sensitive devices.
- Select a grounding system, such as those listed below, to provide protection that meets the specific service requirement.

**Note:** The use of a grounding system is desirable but not required to protect against ESD damage.

- Attach the ESD ground clip to any frame ground, ground braid, or green-wire ground.
- Use an ESD common ground or reference point when working on a double-insulated or battery-operated system. You can use coax or connector-outside shells on these systems.
- Use the round ground-prong of the ac plug on ac-operated computers.

---

## Grounding requirements

Electrical grounding of the computer is required for operator safety and correct system function. Proper grounding of the electrical outlet can be verified by a certified electrician.

---

## Safety notices (multi-lingual translations)

The caution and danger safety notices in this section are provided in the following languages:

- English
- Arabic
- Brazilian/Portuguese
- Chinese (simplified)
- Chinese (traditional)
- French

- German
- Hebrew
- Italian
- Korean
- Spanish



## DANGER

Electrical current from power, telephone and communication cables is hazardous.

### To avoid a shock hazard:

- **Do not connect or disconnect any cables or perform installation, maintenance, or reconfiguration of this product during an electrical storm.**
- **Connect all power cords to a properly wired and grounded electrical outlet.**
- **Connect to properly wired outlets any equipment that will be attached to this product.**
- **When possible, use one hand only to connect or disconnect signal cables.**
- **Never turn on any equipment when there is evidence of fire, water, or structural damage.**
- **Disconnect the attached power cords, telecommunications systems, networks, and modems before you open the device covers, unless instructed otherwise in the installation and configuration procedures.**
- **Connect and disconnect cables as described in the following tables when installing, moving, or opening covers on this product or attached devices.**

To Connect	To Disconnect
<ol style="list-style-type: none"> <li>1. Turn everything OFF.</li> <li>2. First, attach all cables to devices.</li> <li>3. Attach signal cables to connectors.</li> <li>4. Attach power cords to outlet.</li> <li>5. Turn device ON.</li> </ol>	<ol style="list-style-type: none"> <li>1. Turn everything OFF.</li> <li>2. First, remove power cords from outlet.</li> <li>3. Remove signal cables from connectors.</li> <li>4. Remove all cables from devices.</li> </ol>



## CAUTION:

**When replacing the lithium battery, use only Part Number 45C1566 or an equivalent type battery recommended by the manufacturer. If your system has a module containing a lithium battery, replace it only with the same module type made by the same manufacturer. The battery contains lithium and can explode if not properly used, handled, or disposed of. *Do not:***

- **Throw or immerse into water**
- **Heat to more than 100°C (212°F)**
- **Repair or disassemble**

**Dispose of the battery as required by local ordinances or regulations.**



**CAUTION:**

When laser products (such as CD-ROMs, DVD-ROM drives, fiber optic devices, or transmitters) are installed, note the following:

- Do not remove the covers. Removing the covers of the laser product could result in exposure to hazardous laser radiation. There are no serviceable parts inside the device.
- Use of controls or adjustments or performance of procedures other than those specified herein might result in hazardous radiation exposure.



**DANGER**

Some laser products contain an embedded Class 3A or Class 3B laser diode. Note the following:

Laser radiation when open. Do not stare into the beam, do not view directly with optical instruments, and avoid direct exposure to the beam.



≥18 kg (37 lbs)



≥32 kg (70.5 lbs)



≥55 kg (121.2 lbs)

**CAUTION:**

Use safe practices when lifting.



**CAUTION:**

The power control button on the device and the power switch on the power supply do not turn off the electrical current supplied to the device. The device also might have more than one power cord. To remove all electrical current from the device, ensure that all power cords are disconnected from the power source.



التيار الكهربائي الموجود بمصدر الطاقة أو أجهزة التليفون أو أسلاك الاتصالات يشكل خطورة.

لتفادي مخاطر الصدمات الكهربائية:

لا تحاول توصيل أو فصل أي أسلاك أو القيام بعمليات تركيب أو صيانة أو إعادة توصيف لهذا المنتج أثناء وجود عاصفة كهربائية.

يجب توصيل كل أسلاك الكهرباء في مخارج كهرباء ذات توصيلات أسلاك وتوصيلات أرضية صحيحة  
يجب توصيل أي جهاز سيتم الحاقه بهذا المنتج في مخارج كهرباء ذات توصيلات أسلاك صحيحة.

وإن أمكن يجب استخدام يد واحدة فقط في توصيل أو فصل أسلاك الإشارة.

لا تحاول تشغيل أي جهاز إذا كان هناك أثر لحرق أو مياه أو تلف بالمكونات

يجب فصل أسلاك الكهرباء وأنظمة الاتصالات وشبكات الاتصال وأجهزة المودم الملحقة قبل فتح أغطية الجهاز، مالم يتم طلب خلاف ذلك في التعليمات الخاصة بالتركيب والتوصيف.  
قم بتوصيل وفصل الأسلاك كما هو موضح في الجدول التالي وذلك عند القيام بعمليات التركيب أو النقل أو فتح أغطية هذا المنتج أو الأجهزة الملحقة.

#### للفصل:

- قم بإيقاف كل شيء.
- أولاً، قم بفصل كل أسلاك الكهرباء من المخرج.
- قم بفصل أسلاك الإشارة من الموصلات.
- قم بفصل كل الأسلاك من الأجهزة.

#### للتوصيل:

- قم بإيقاف كل شيء.
- أولاً، قم بتوصيل كل الأسلاك بالأجهزة.
- قم بتوصيل أسلاك الإشارة في لموصلات.
- قم بتوصيل أسلاك الكهرباء في المخارج.
- قم بتشغيل الجهاز.



تنبيه:

عند استبدال البطارية الليثيوم، استخدم فقط رقم الجزء الخاص **Part Number 33F8354**

أو نوع آخر يكون على نفس مستوى الكفاءة يحدده لك المصنع.

إذا كان النظام الخاص يستخدم معه بطارية ليثيوم قم باستبدالها بنفس النوع الذي تم صناعته من خلال نفس المصنع. تحتوي البطارية على مادة الليثيوم ويمكن أن تنفجر في حالة عدم استخدامها أو التعامل معها بطريقة صحيحة أو عند التخلص منها بطريقة خطأ.

لا تقم بـ:

- القاء البطارية أو غمرها في الماء
- تسخينها أعلى من ١٠٠ درجة مئوية (٢١٢ ° فهرنهايت)
- بتصليحها أو فكها

تخلص من البطارية طبقاً للقانون أو النظام المحلي .



تنبيه :  
أثناء تركيب منتجات ليزر (مثل CD-ROMs أو وحدة تشغيل DVD أو أجهزة Fiber Optic أو وحدات الإرسال) يجب مراعاة الآتي:

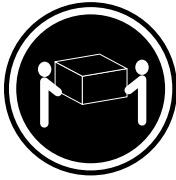
لا تنزع الأغطية. قد ينتج عن نزع أغطية منتج الليزر انفجار أشعة الليزر شديدة الخطورة.  
لا يوجد أجزاء يمكن تغييرها داخل الجهاز. قد ينتج عن استخدام تحكيمات أو تعديلات أو عمل أي تصرفات أخرى تخالف ما هو محدد هنا إلى انفجار أشعة شديدة الخطورة.



خطر

تحتوي بعض منتجات الليزر على الفئة دايود ليزر مدمج من الفئة Class 3A أو Class 3B. يجب مراعاة الآتي .

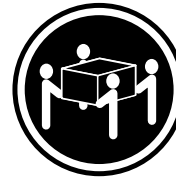
أشعة الليزر عند الفتح. لا تحدد إلى الإشعاع و لا تنظر إليه مباشرة بواسطة أي أجهزة مرئية وتجنب التعرض المباشر للإشعاع .



≥18 kg (37 lbs)



≥32 kg (70.5 lbs)

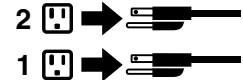


≥55 kg (121.2 lbs)

تنبيه :  
يجب استخدام ممارسات أمانة عند الرفع



تنبيه :  
لا يقرم زر التحكم في التشغيل الموجود على الجهاز والمفتاح الكهربائي الموجود على لوحة التحكم بإيقاف التيار الكهربائي المار بالجهاز. قد يكون للجهاز أكثر من سلك كهربائي واحد. لإيقاف التيار الكهربائي المار بالجهاز، تأكد من فصل جميع أسلاك الكهرباء من مصدر الكهرباء .



PERIGO



A corrente elétrica proveniente de cabos de alimentação, de telefone e de comunicações é perigosa.

Para evitar risco de choque elétrico:

- Não conecte nem desconecte nenhum cabo ou execute instalação, manutenção ou reconfiguração deste produto durante uma tempestade com raios.
- Conecte todos os cabos de alimentação a tomadas elétricas corretamente instaladas e aterradas.
- Todo equipamento que for conectado a este produto deve ser conectado a tomadas corretamente instaladas.
- Quando possível, utilize apenas uma das mãos para conectar ou desconectar cabos de sinal.
- Nunca ligue nenhum equipamento quando houver evidência de fogo, água ou danos estruturais.
- Antes de abrir tampas de dispositivos, desconecte cabos de alimentação, sistemas de telecomunicação, redes e modems conectados, a menos que especificado de maneira diferente nos procedimentos de instalação e configuração.
- Conecte e desconecte os cabos conforme descrito na tabela apresentada a seguir ao instalar, mover ou abrir tampas deste produto ou de dispositivos conectados.

Para Conectar:	Para Desconectar:
<ol style="list-style-type: none"><li>1. DESLIGUE Tudo.</li><li>2. Primeiramente, conecte todos os cabos aos dispositivos.</li><li>3. Conecte os cabos de sinal aos conectores.</li><li>4. Conecte os cabos de alimentação às tomadas.</li><li>5. LIGUE os dispositivos.</li></ol>	<ol style="list-style-type: none"><li>1. DESLIGUE Tudo.</li><li>2. Primeiramente, remova os cabos de alimentação das tomadas.</li><li>3. Remova os cabos de sinal dos conectores.</li><li>4. Remova todos os cabos dos dispositivos.</li></ol>



#### **CUIDADO:**

**Ao substituir a bateria de lítio, utilize apenas uma bateria com Número de Peça 45C1566 ou um tipo de bateria equivalente recomendado pelo Se o seu sistema possui um módulo com uma bateria de lítio, substitua-o apenas por um módulo do mesmo tipo e do mesmo fabricante. A bateria contém lítio e pode explodir se não for utilizada, manuseada ou descartada de maneira correta.**

Não:

- Jogue ou coloque na água
- Aqueça a mais de 100°C (212°F)
- Conserte nem desmonte

Descarte a bateria conforme requerido pelas leis ou regulamentos locais.



#### **PRECAUCIÓN:**

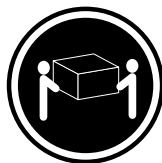
Quando produtos a laser (como unidades de CD-ROMs, unidades de DVD-ROM, dispositivos de fibra ótica ou transmissores) estiverem instalados, observe o seguinte:

- Não remova as tampas. A remoção das tampas de um produto a laser pode resultar em exposição prejudicial à radiação de laser. Não existem peças que podem ser consertadas no interior do dispositivo.
- A utilização de controles ou ajustes ou a execução de procedimentos diferentes dos especificados aqui pode resultar em exposição prejudicial à radiação.

**PERIGO**

Alguns produtos a laser contêm diodo de laser integrado da Classe 3A ou da Classe 3B. Observe o seguinte:

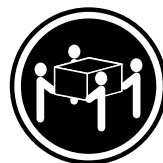
Radiação a laser quando aberto. Não olhe diretamente para o feixe a olho nu ou com instrumentos ópticos e evite exposição direta ao feixe.



≥18 kg (37 lbs)



≥32 kg (70.5 lbs)



≥55 kg (121.2 lbs)

**CUIDADO:**

Utilize procedimentos de segurança para levantar equipamentos.



**CUIDADO:**

O botão de controle de alimentação do dispositivo e o botão para ligar/desligar da fonte de alimentação não desligam a corrente elétrica fornecida ao dispositivo. O dispositivo também pode ter mais de um cabo de alimentação. Para remover toda a corrente elétrica do dispositivo, assegure que todos os cabos de alimentação estejam desconectados da fonte de alimentação.



危险

电源、电话和通信电缆中的电流是危险的。

为避免电击危险：

- 请勿在雷电期间连接或断开任何电缆的连接，或者对本产品进行安装、维护或重新配置。
- 将所有电源线连接到正确连线和妥善接地的电源插座。
- 将所有要连接到该产品的设备连接到正确连线的插座。
- 如果可能，请仅使用一只手来连接或断开信号电缆的连接。
- 切勿在有火、水、结构损坏迹象的情况下开启任何设备。
- 在打开设备外盖之前请断开已连接的电源线、远程通信系统、网络和调制解调器，除非在安装和配置过程中另有说明。
- 当安装、移动或打开该产品或连接设备的外盖时，请按照下表所述来连接或断开电缆的连接。

要连接	要断开连接
<ol style="list-style-type: none"><li>1. 切断所有电源。</li><li>2. 首先将所有电缆连接到设备。</li><li>3. 将信号电缆连接到接口。</li><li>4. 将电源线连接到插座。</li><li>5. 开启设备。</li></ol>	<ol style="list-style-type: none"><li>1. 切断所有电源。</li><li>2. 首先从插座上拔出电源线。</li><li>3. 从接口上拔出信号电缆。</li><li>4. 从设备上拔出所有电缆。</li></ol>



警告：

更换锂电池时，请仅使用部件号为 33F8354 的电池或制造商推荐的同类电池。如果您的系统有包含锂电池的模块，请仅使用同一制造商生产的相同模块类型来替换该模块。该电池中含有锂，如果使用、操作或处理不当，可能会发生爆炸。

切勿：

- 投入或浸入水中
- 加热到 100°C (212°F) 以上
- 维修或拆卸

请按照当地法令或条例的要求处理电池。



警告：

安装激光产品（例如 CD-ROM、DVD-ROM 驱动器、光纤设备或发射设备）时，请注意以下声明：

- 请勿卸下外盖。卸下激光产品的外盖可能导致遭受激光辐射的危险。该设备内没有可维修的部件。
- 如果不按照此处指定的过程进行控制、调整或操作，则有可能导致遭受辐射的危险。



危险

某些激光产品包含嵌入式 3A 类或 3B 类激光二极管。请注意以下声明：

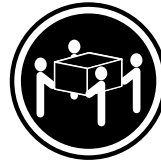
打开后有激光辐射。请勿注视光束，请勿直接用光学仪器查看，并请避免直接暴露在光束中。



≥18 千克 (37 磅)



≥32 千克 (70.5 磅)



≥55 千克 (121.2 磅)

警告：  
抬起时请采取安全措施。



警告：  
设备上的电源控制按钮和电源上的电源开关不会切断供给该设备的电流。该设备还可能有多条电源线。要切断该设备的所有电流，请确保所有电源线都与电源断开连接。



## 危險

電源、電話及通訊纜線上的電流都具有危險性。

若要避免觸電危險：

- 請勿在雷雨期間，連接或拔除纜線、執行安裝、維護或重新配置本產品。
- 將所有電源線連接到正確配線及接地的電源插座。
- 任何與本產品連接的設備都必須連接到配線妥當的電源插座。
- 請盡可能用單手連接或拔除信號線。
- 發生火災、水災或結構損害時，絕對不要開啟任何設備。
- 除非在安裝及配置程序中另有指示，否則在開啟裝置機蓋之前，請拔掉連接的電源線、電信系統、網路及數據機。
- 安裝、移動或開啟本產品或附屬裝置的機蓋時，請遵循下列說明連接及拔掉纜線。

連線	切斷連線
<ol style="list-style-type: none"><li>1. 關閉所有開關。</li><li>2. 首先，連接所有接線到裝置。</li><li>3. 連接信號線到接頭。</li><li>4. 連接電源線到插座。</li><li>5. 開啟裝置。</li></ol>	<ol style="list-style-type: none"><li>1. 關閉所有開關。</li><li>2. 首先，拔掉插座上的電源線。</li><li>3. 拔掉接頭上的信號線。</li><li>4. 拔掉裝置上所有接線。</li></ol>



### 警告：

更換鋰電池時，請僅使用產品編號 **33F8354** 或製造商所建議的同類型電池。  
如果您的系統中含有鋰電池模組，請僅使用同一家製造商所生產的相同模組進行更換。  
如果未以正確方式使用、處理或棄置含鋰的電池，會有爆炸的危險。  
請勿：

- 沾溼或浸入水中
  - 置於 **100C (212F)** 以上的高溫環境
  - 修理或拆開
- 請按照各地區有關廢棄電池的法令和規定處理舊電池。



### 警告：

- 請勿移除機蓋。移除雷射產品的機蓋，可能會導致暴露在危險的雷射輻射中。裝置內部並無可自行維修的零件。
- 利用或執行非本文中所指定的控制、調整及執行程序，可能會導致危險的輻射外洩。



## 危險

部分雷射產品含有內嵌式 **Class 3A** 或 **Class 3B** 雷射二極體。請注意下列事項：  
在開啟光碟機時，會發生雷射輻射。請勿直視光束或用光學儀器直接檢視，並避免直接暴露在光束中。





≥ 18 公斤 (37 磅)



≥ 32 公斤 (70.5 磅)

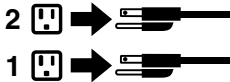


≥ 55 公斤 (121.2 磅)

警告：  
搬運時請注意安全。



警告：  
裝置上的電源控制按鈕及電源供應器上的電源開關，無法關閉裝置所產生的電流。  
該裝置可能有多條電源線。若要除去裝置流出的所有電流，請確認已切斷所有電源線的電源。



## DANGER

Le courant électrique provenant de l'alimentation, du téléphone et des câbles de transmission peut présenter un danger.

Pour éviter tout risque de choc électrique :

- Ne manipulez aucun câble et n'effectuez aucune opération d'installation, d'entretien ou de reconfiguration de ce produit au cours d'un orage.
- Branchez tous les cordons d'alimentation sur un socle de prise de courant correctement câblé et mis à la terre.
- Branchez sur des socles de prise de courant correctement câblés tout équipement connecté à ce produit.
- Lorsque cela est possible, n'utilisez qu'une seule main pour connecter ou déconnecter les câbles d'interface.
- Ne mettez jamais un équipement sous tension en cas d'incendie ou d'inondation, ou en présence de dommages matériels.
- Avant de retirer les carters de l'unité, mettez celle-ci hors tension et déconnectez ses cordons d'alimentation, ainsi que les câbles qui la relient aux réseaux, aux systèmes de télécommunication et aux modems (sauf instruction contraire mentionnée dans les procédures d'installation et de configuration).
- Lorsque vous installez, que vous déplacez, ou que vous manipulez le présent produit ou des périphériques qui lui sont raccordés, reportez-vous aux instructions ci-dessous pour connecter et déconnecter les différents cordons.

Connexion	Déconnexion
<ol style="list-style-type: none"> <li>1. Mettez les unités HORS TENSION.</li> <li>2. Commencez par brancher tous les cordons sur les unités.</li> <li>3. Branchez les câbles d'interface sur des connecteurs.</li> <li>4. Branchez les cordons d'alimentation sur des prises.</li> <li>5. Mettez les unités SOUS TENSION.</li> </ol>	<ol style="list-style-type: none"> <li>1. Mettez les unités HORS TENSION.</li> <li>2. Débranchez les cordons d'alimentation des prises.</li> <li>3. Débranchez les câbles d'interface des connecteurs.</li> <li>4. Débranchez tous les câbles des unités.</li> </ol>



#### ATTENTION:

Remplacer la pile au lithium usagée par une pile de référence identique exclusivement, (référence 45C1566), ou suivre les instructions du fabricant qui en définit les équivalences. Si votre système est doté d'un module contenant une pile au lithium, vous devez le remplacer uniquement par un module identique, produit par le même fabricant. La pile contient du lithium et peut exploser en cas de mauvaise utilisation, de mauvaise manipulation ou de mise au rebut inappropriée.

Ne pas :

- la jeter à l'eau,
- l'exposer à des températures supérieures à 100°C,
- chercher à la réparer ou à la démonter.

Ne pas mettre la pile à la poubelle. Pour la mise au rebut, se reporter à la réglementation en vigueur.



#### ATTENTION:

Si des produits à laser (tels que des unités de CD-ROM, de DVD-ROM, des unités à fibres optiques, ou des émetteurs) sont installés, prenez connaissance des informations suivantes :

- Ne retirez pas le carter. En ouvrant l'unité de CD-ROM ou de DVD-ROM, vous vous exposez au rayonnement dangereux du laser. Aucune pièce de l'unité n'est réparable.
- Pour éviter tout risque d'exposition au rayon laser, respectez les consignes de réglage et d'utilisation des commandes, ainsi que les procédures décrites dans le présent manuel.



#### DANGER

Certains produits à laser contiennent une diode à laser intégrée de classe 3A ou 3B. Prenez connaissance des informations suivantes:

Rayonnement laser lorsque le carter est ouvert. Evitez toute exposition directe au rayon laser. Evitez de regarder fixement le faisceau ou de l'observer à l'aide d'instruments optiques.



≥18 kg (37 lbs)



≥32 kg (70.5 lbs)



≥55 kg (121.2 lbs)

#### ATTENTION:

Soulevez la machine avec précaution.



#### ATTENTION:

L'interrupteur de contrôle d'alimentation de l'unité et l'interrupteur dubloc d'alimentation ne coupent pas le courant électrique alimentant l'unité. En outre, le système peut être équipé de plusieurs cordons d'alimentation. Pour mettre l'unité hors tension, vous devez déconnecter tous les cordons de la source d'alimentation.



#### VORSICHT

An Netz-, Telefon- und Datenleitungen können gefährliche Spannungen anliegen.

#### Aus Sicherheitsgründen:

- Bei Gewitter an diesem Gerät keine Kabel anschließen oder lösen. Ferner keine Installations-, Wartungs- oder Rekonfigurationsarbeiten durchführen.
- Gerät nur an eine Schutzkontaktsteckdose mit ordnungsgemäß geerdetem Schutzkontakt anschließen.
- Alle angeschlossenen Geräte ebenfalls an Schutzkontaktsteckdosen mit ordnungsgemäß geerdetem Schutzkontakt anschließen.
- Die Signalkabel nach Möglichkeit einhändig anschließen oder lösen, um einen Stromschlag durch Berühren von Oberflächen mit unterschiedlichem elektrischem Potenzial zu vermeiden.
- Geräte niemals einschalten, wenn Hinweise auf Feuer, Wasser oder Gebäudeschäden vorliegen.



- Die Verbindung zu den angeschlossenen Netzkabeln, Telekommunikationssystemen, Netzwerken und Modems ist vor dem Öffnen des Gehäuses zu unterbrechen, sofern in den Installations- und Konfigurationsprozeduren keine anders lautenden Anweisungen enthalten sind.
- Zum Installieren, Transportieren und Öffnen der Abdeckungen des Computers oder der angeschlossenen Einheiten die Kabel gemäß der folgenden Tabelle anschließen und abziehen.

Zum Anschließen der Kabel gehen Sie wie folgt vor	Zum Abziehen der Kabel gehen Sie wie folgt vor
<ol style="list-style-type: none"> <li>1. Schalten Sie alle Einheiten AUS.</li> <li>2. Schließen Sie erst alle Kabel an die Einheiten an.</li> <li>3. Schließen Sie die Signalkabel an die Buchsen an.</li> <li>4. Schließen Sie die Netzkabel an die Steckdose an.</li> <li>5. Schalten Sie die Einheit EIN.</li> </ol>	<ol style="list-style-type: none"> <li>1. Schalten Sie alle Einheiten AUS.</li> <li>2. Ziehen Sie zuerst alle Netzkabel aus den Netzsteckdosen.</li> <li>3. Ziehen Sie die Signalkabel aus den Buchsen.</li> <li>4. Ziehen Sie alle Kabel von den Einheiten ab.</li> </ol>



#### CAUTION:

Eine verbrauchte Lithiumbatterie nur durch eine Batterie mit der Teilenummer 45C1566 oder eine gleichwertige, vom Hersteller empfohlene Batterie ersetzen. Enthält das System ein Modul mit einer Lithiumbatterie, dieses nur durch ein Modul desselben Typs und von demselben Hersteller ersetzen. Die Batterie enthält Lithium und kann bei unsachgemäßer Verwendung, Handhabung oder Entsorgung explodieren.

Die Batterie nicht:

- mit Wasser in Berührung bringen.
- über 100 C erhitzen.
- reparieren oder zerlegen.

Die örtlichen Bestimmungen für die Entsorgung von Sondermüll beachten.



#### ACHTUNG:

Bei der Installation von Lasergeräten (wie CD-ROM-Laufwerken, DVD- aufwerken, Einheiten mit Lichtwellenleitertechnik oder Sendern) Folgendes beachten:

- Die Abdeckungen nicht entfernen. Durch Entfernen der Abdeckungen des Lasergeräts können gefährliche Laserstrahlungen freigesetzt werden. Das Gerät enthält keine zu wartenden Teile.
- Werden Steuerelemente, Einstellungen oder Durchführungen von Prozeduren anders als hier angegeben verwendet, kann gefährliche Laserstrahlung auftreten.



#### VORSICHT

Einige Lasergeräte enthalten eine Laserdiode der Klasse 3A oder 3B. Beachten Sie Folgendes:

Laserstrahlung bei geöffneter Verkleidung. Nicht in den Strahl blicken. Keine Lupen oder Spiegel verwenden. Strahlungsbereich meiden.



≥18 kg (37 lbs)



≥32 kg (70.5 lbs)



≥55 kg (121.2 lbs)

**ACHTUNG:**

Arbeitsschutzrichtlinien beim Anheben der Maschine beachten.



**ACHTUNG:**

Mit dem Netzschalter an der Einheit und am Netzteil wird die Stromversorgung für die Einheit nicht unterbrochen. Die Einheit kann auch mit mehreren Netzkabeln ausgestattet sein. Um die Stromversorgung für die Einheit vollständig zu unterbrechen, müssen alle zum Gerät führenden Netzkabel vom Netz getrennt werden.



## סכנה

זרם חשמלי המועבר בכבלי חשמל, טלפון ותקשורת הוא מסוכן.

כדי להימנע מסכנת התחשמלות:

- אל תחברו או תנתקו כבלים, ואל תבצעו פעולת התקנה, תחזוקה או שינוי תצורה במוצר זה במהלך סופת ברקים.
- חברו את כל כבלי החשמל לשקע חשמל מחווט ומארק כהלכה.
- חברו כל ציוד שיחובר למוצר זה לשקעי חשמל מחוטים כהלכה.
- במידת האפשר, השתמשו ביד אחת בלבד לחיבור או לניתוק של כבלי אותות.
- לעולם אל תפעילו ציוד כלשהו כאשר יש עדות לנזק מבני או לנזק כתוצאה מאש או ממים.
- נתקו את כבלי החשמל, מערכות התקשורת, התקני הרשת והמודמים המחוברים לפני פתיחת כיסויי ההתקן, אלא אם הליכי ההתקנה וקביעת התצורה מורים אחרת.
- בעת התקנה, העברה או פתיחת כיסויים במוצר זה או בהתקנים המחוברים, חברו ונתקו את הכבלים כמתואר בטבלה שלהלן.

כדי לחבר	כדי לנתק
1. כבו הכל.	1. כבו הכל.
2. ראשית, חברו את כל הכבלים להתקנים.	2. ראשית, נתקו את כבלי החשמל מהשקעים.
3. חברו את כבלי האותות למחברים.	3. נתקו את כבלי האותות מהמחברים.
4. חברו את כבלי החשמל לשקעים.	4. הסירו את כל הכבלים מההתקנים.
5. הפעילו את ההתקן.	



זהירות:

בעת החלפת סוללת הליתיום, השתמשו רק בסוללה בעלת מק"ט 33F8354 או בסוג תואם שהומלץ על ידי היצרן. אם המערכת כוללת מודול המכיל סוללת ליתיום, החליפו אותו רק במודול מאותו סוג ומתוצרת אותו יצרן. הסוללה מכילה ליתיום, ועלולה להתפוצץ אם לא משתמשים ומטפלים בה או משליכים אותה כיאור.

לעולם:

- אל תטבלו במים
  - אל תחממו לטמפרטורה הגבוהה מ-100°C (212°F)
  - אל תתקנו או תפרקו
- השליכו את הסוללה כנדרש לפי התקנות והחוקים המקומיים.



זהירות:

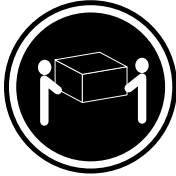
בעת התקנת מוצרי לייזר (כגון כונני תקליטורים ו-DVD), התקני סיב אופטי או משדרים), שימו לב לאזהרות הבאות:

- אל תסירו את הכיסויים. הסרת הכיסויים של מוצר הלייזר עלולה לגרום לחשיפה לקרינת לייזר מסוכנת. אין חלקים ברי טיפול בתוך ההתקן.
- שינויים, שימוש בבקורות או ביצוע הליכים אחרים מאלה המתוארים כאן, עלולים לגרום לחשיפה לקרינה מסוכנת.



סכנה

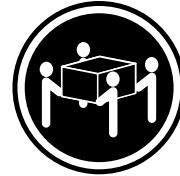
מוצרי ליזר מסוימים מכילים דיודת ליזר מסוג Class 3A או Class 3B. שימו לב לאזהרה הבאה:  
כאשר הוא פתוח, המוצר פולט קרינת ליזר. אל תביטו ישירות בקרן, אל תביטו ישירות בעזרת ציוד אופטי, והימנעו מחשיפה לקרן.



$18 \leq$  ק"ג (37 ליב')



$32 \leq$  ק"ג (70.5 ליב')



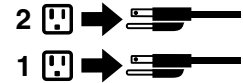
$55 \leq$  ק"ג (121.2 ליב')

זהירות:  
השתמשו בהליכים  
הנאותים בעת  
הרמת הציוד.



זהירות:

לחצן ההפעלה של ההתקן ומתג ההפעלה של ספק החשמל אינם מפסיקים את זרם החשמל המסופק להתקן. בנוסף, ההתקן עשוי לכלול יותר מכבל חשמל אחד. כדי לסלק את כל הזרם החשמלי מההתקן, ודאו שכל כבלי החשמל מנותקים ממקור החשמל.



## PERICOLO

La corrente elettrica proveniente dai cavi di alimentazione, del telefono e di comunicazione può essere pericolosa.

**Per evitare il rischio di scosse elettriche:**

- **Non collegare o scollegare qualsiasi cavo oppure effettuare l'installazione, la manutenzione o la riconfigurazione del prodotto durante un temporale.**
- **Collegare tutti i fili elettrici a una presa di alimentazione correttamente cablata e dotata di messa a terra.**
- **Collegare alle prese elettriche appropriate tutte le apparecchiature che verranno utilizzate per questo prodotto.**

- Se possibile, utilizzare solo una mano per collegare o scollegare i cavi di segnale.
- Non accendere assolutamente apparecchiature in presenza di incendi, perdite d'acqua o danno strutturale.
- Scollegare i cavi di alimentazione, i sistemi di telecomunicazione, le reti e il modem prima di aprire i coperchi del dispositivo, salvo istruzioni contrarie relative alle procedure di installazione e configurazione.
- Collegare e scollegare i cavi come descritto nella seguente tabella quando vengono effettuate operazioni di installazione, spostamento o apertura dei coperchi di questo prodotto o delle unità collegate.

Per collegarsi	Per scollegarsi
<ol style="list-style-type: none"> <li>1. SPEGNERE le apparecchiature.</li> <li>2. Innanzitutto, collegare tutti i cavi alle unità.</li> <li>3. Collegare i cavi di segnale ai connettori.</li> <li>4. Collegare i cavi di alimentazione alla presa.</li> <li>5. Accendere l'unità.</li> </ol>	<ol style="list-style-type: none"> <li>1. SPEGNERE le apparecchiature.</li> <li>2. Innanzitutto, rimuovere i cavi di alimentazione dalla presa.</li> <li>3. Rimuovere i cavi di segnale dai connettori.</li> <li>4. Rimuovere tutti i cavi dalle unità.</li> </ol>



#### ATTENZIONE:

Quando si sostituisce la batteria al litio, utilizzare solo il Numero parte 45C1566 o un tipo di batteria equivalente consigliato dal produttore. Se sul sistema è presente un modulo che contiene una batteria al litio, sostituirlo solo con un tipo di modulo dello stesso tipo della stessa casa di produzione. La batteria contiene litio e può esplodere se usata, maneggiata o smaltita in modo non corretto.

*Non:*

- Gettare o immergere la batteria nell'acqua
- Riscaldarla ad una temperatura superiore ai 100 gradi C (212 gradi F)
- Smontarla, ricaricarla o tentare di ripararla

Le batterie usate vanno smaltite in accordo alla normativa in vigore (DPR 915/82 e successive disposizioni e disposizioni locali).



#### ATTENZIONE:

Quando vengono installati prodotti laser (quali CD-ROM, unità DVD-ROM, unità a fibre ottiche o trasmettenti), tener presente quanto segue:

- Non rimuovere gli sportelli. L'apertura di un'unità laser può determinare l'esposizione a radiazioni laser pericolose. All'interno dell'unità non vi sono parti su cui effettuare l'assistenza tecnica.
- L'utilizzo di controlli, regolazioni o l'esecuzione di procedure non descritti nel presente manuale possono provocare l'esposizione a radiazioni pericolose.



## PERICOLO

Alcune unità laser contengono un diodo laser di Classe 3A o Classe 3B. Tener presente quanto segue:

Aperto l'unità vengono emesse radiazioni laser. Non fissare il fascio, non guardarlo direttamente con strumenti ottici ed evitare l'esposizione al fascio.



≥18 kg (37 lbs)



≥32 kg (70.5 lbs)



≥55 kg (121.2 lbs)

## ATTENZIONE:

Prestare attenzione nel sollevare l'apparecchiatura.



## ATTENZIONE:

Il pulsante di controllo dell'alimentazione presente sull'unità e l'interruttore dell'alimentatore non disattivano l'alimentazione corrente fornita all'unità. E' possibile che l'unità disponga di più cavi di alimentazione. Per disattivare l'alimentazione dall'unità, accertarsi che tutti i cavi di alimentazione siano scollegati dalla fonte di alimentazione.



## 위험

전원, 전화, 통신 케이블의 전류는 위험합니다.

감전의 위험을 피하려면 다음과 같이 하십시오.

- 번개가 치는 날에는 케이블을 연결 또는 분리하거나 본 제품을 설치, 보수, 재구성하지 마십시오.
- 모든 전원 코드는 올바르게 접지된 전기 콘센트에 연결하십시오.
- 본 제품에 연결될 장치는 올바르게 배선된 콘센트에 연결하십시오.
- 신호 케이블을 연결 또는 분리할 때 가능하면 한 손만을 사용하십시오.
- 불 또는 물로 인한 손상이나 구조적인 손상이 있을 경우 장치의 전원을 절대 켜지 마십시오.
- 설치 및 구성 과정에 별도의 지시 사항이 없는 경우, 장치의 덮개를 열기 전에 연결된 전원 코드, 원격 통신 시스템, 네트워크, 모뎀을 분리하십시오.
- 본 제품이나 연결된 장치를 설치, 이동하거나 덮개를 열 때 다음 표와 같은 순서로 케이블을 연결하거나 분리하십시오.

연결할 때:	분리할 때:
<ol style="list-style-type: none"><li>1. 모든 장치의 전원을 끄십시오.</li><li>2. 먼저 모든 케이블을 장치에 연결하십시오.</li><li>3. 커넥터에 신호 케이블을 연결하십시오.</li><li>4. 콘센트에 전원 코드를 연결하십시오.</li><li>5. 장치의 전원을 켜십시오.</li></ol>	<ol style="list-style-type: none"><li>1. 모든 장치의 전원을 끄십시오.</li><li>2. 먼저 콘센트에서 전원 코드를 분리하십시오.</li><li>3. 커넥터에서 신호 케이블을 분리하십시오.</li><li>4. 장치에서 모든 케이블을 분리하십시오.</li></ol>



### 주의:

배터리를 교환할 때는 Part Number 33F8354 또는 제조업체에서 지정한 동일한 종류의 제품을 사용하십시오. 사용자의 시스템이 리튬 배터리를 포함하는 모듈일 경우, 동일한 제조업체에서 동일한 모듈 유형으로 생산된 제품으로 교체하십시오. 배터리에는 리튬이 함유되어 있어 잘못 사용, 취급 또는 폐기할 경우 폭발의 위험이 있습니다.

사고를 방지하려면 다음 사항을 준수하십시오.

- 배터리를 물 속에 던지거나 침수시키지 마십시오.
- 100°C (212°F) 이상 가열하지 마십시오.
- 수리하거나 분해하지 마십시오.

배터리를 폐기할 때는 법령 또는 회사의 안전 수칙에 따라 폐기하십시오.



### 주의:

CD-ROM, DVD-ROM 장치, 광섬유 장치 또는 송신 장치와 같은 레이저 제품을 설치할 때, 다음과 같은 취급 주의사항을 참고하십시오.

- 덮개를 열지 마십시오. 덮개를 열면 레이저 복사 에너지에 노출될 위험이 있습니다. 장치 내부에는 사용자가 조정하거나 수리할 수 있는 부품이 없습니다.
- 규정된 것 이외의 절차 수행, 제어 조정 등의 행위로 인해 해로운 레이저 복사에 노출될 수 있습니다.



## 위험

일부 장비에는 임베디드 클래스 3A 또는 클래스 3B 레이저 다이오드가 있습니다. 다음 주의사항에 유의하십시오.

드라이브가 열리면 레이저 복사 에너지가 방출됩니다. 광선이 눈에 직접 쏘이지 않도록 하십시오. 나안 또는 광학 기구를 착용한 상태에서 광선을 직접 바라보지 않도록 하십시오.



≥ 18 kg (37 lbs)



≥ 32 kg (70.5 lbs)



≥ 55 kg (121.2 lbs)

주의:  
제품을 들어 올릴 때  
안전 규제를 따르십시오.



주의:  
장치의 전원 제어 버튼 및 전원 공급 장치의 전원 스위치를 사용하여 장치에 공급되는 전기를 차단하지 마십시오.  
장치는 둘 이상의 코드를 가지고 있을 수 있습니다. 장치에서 모든 전원을 차단하려면 콘센트에서 코드가 모두  
분리되어 있는지 확인하십시오.



## PELIGRO

La corriente eléctrica procedente de cables de alimentación, teléfonos y cables de comunicación puede ser peligrosa.

Para evitar el riesgo de descarga eléctrica:

- No conecte ni desconecte los cables ni realice ninguna tarea de instalación, mantenimiento o reconfiguración de este producto durante una tormenta eléctrica.
- Conecte todos los cables de alimentación a tomas de corriente debidamente cableadas y conectadas a tierra.
- Cualquier equipo que se conecte a este producto también debe conectarse a tomas de corriente debidamente cableadas.
- Siempre que sea posible, utilice una sola mano para conectar o desconectar los cables de señal.
- No encienda nunca un equipo cuando hay señales de fuego, agua o daños estructurales.



- **Desconecte los cables de alimentación, los sistemas de telecomunicaciones, las redes y los módems conectados antes de abrir las cubiertas de los dispositivos, a menos que se indique lo contrario en los procedimientos de instalación y configuración.**
- **Conecte y desconecte los cables, como se describe en la tabla siguiente, cuando instale, mueva o abra las cubiertas de este producto o de los dispositivos conectados.**

Para conectar	Para desconectar
<ol style="list-style-type: none"> <li>1. APÁGUELO todo.</li> <li>2. En primer lugar, conecte todos los cables a los dispositivos.</li> <li>3. Conecte los cables de señal a los conectores.</li> <li>4. Enchufe los cables de alimentación a las tomas de corriente.</li> <li>5. Encienda el dispositivo.</li> </ol>	<ol style="list-style-type: none"> <li>1. APÁGUELO todo.</li> <li>2. En primer lugar, desenchufe los cables de alimentación de las tomas de corriente.</li> <li>3. Desconecte los cables de señal de los conectores.</li> <li>4. Desconecte todos los cables de los dispositivos.</li> </ol>



#### **PRECAUCIÓN:**

Quando sustituya una batería de litio, utilice solamente una batería número de pieza 45C1566 u otra de tipo equivalente recomendada por el fabricante. Si su sistema dispone de un módulo que contiene una batería de litio, reemplácelo sólo con el mismo tipo de módulo, del mismo fabricante. La batería contiene litio y puede explotar si no se utiliza, manipula o desecha correctamente.

*No debe:*

- Arrojarla al agua o sumergirla en ella
- Exponerla a temperaturas superiores a 100°C (212°F)
- Repararla o desmontarla

Deshágase de la batería según especifiquen las leyes o normas locales.



#### **PRECAUCIÓN:**

Quando haya productos láser (como unidades de CD-ROM, unidades de DVD, dispositivos de fibra óptica o transmisores) instalados, tenga en cuenta lo siguiente:

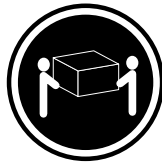
- No quite las cubiertas. Si quita las cubiertas del producto láser, podría quedar expuesto a radiación láser peligrosa. Dentro del dispositivo no existe ninguna pieza que requiera servicio técnico.
- Si usa controles o ajustes o realiza procedimientos que no sean los especificados aquí, podría exponerse a radiaciones peligrosas.



#### **PELIGRO**

Algunos productos láser tienen incorporado un diodo láser de clase 3A o clase 3B. Tenga en cuenta lo siguiente:

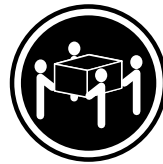
Cuando se abre, queda expuesto a radiación láser. No mire directamente al rayo láser, ni siquiera con instrumentos ópticos, y evite exponerse directamente al rayo láser.



≥18 kg (37 lbs)



≥32 kg (70.5 lbs)



≥55 kg (121.2 lbs)

**PRECAUCIÓN:**

Adopte procedimientos seguros al levantar el equipo.



**PRECAUCIÓN:**

El botón de control de alimentación del dispositivo y el interruptor de alimentación de la fuente de alimentación no desconectan la corriente eléctrica suministrada al dispositivo. Además, el dispositivo podría tener más de un cable de alimentación. Para suprimir toda la corriente eléctrica del dispositivo, asegúrese de que todos los cables de alimentación estén desconectados de la toma de corriente.



---

## Chapter 3. General information

This chapter provides general information that you can use to access useful resources relating to your computing needs.

---

### Online Books folder

The Online Books folder preinstalled on your computer contains the *ThinkCentre User Guide*, which provides information about your computer to help you set up, use, and maintain your computer. It requires no Internet access to view the publication.

To view the publications, click **Start** → **All Programs** → **Online Books** → **Online Books**, then double-click the appropriate publication for your computer. The publications are also available on the Lenovo Support Web site at:<http://www.lenovo.com/support>

#### Notes:

1. The publications are in Portable Document Format (PDF). To view the publications, you need to have the Adobe Reader program preinstalled on your computer. If the Adobe Reader program has not been installed on your computer, a message will appear when you attempt to view the PDF file and you will be guided through the Adobe Reader program installation.
2. The publications are available in other languages on the Lenovo Support Web site at:<http://www.lenovo.com/support>
3. If you want to install a different language version of the Adobe Reader program rather than the version preinstalled on your computer, download the language version you want from the Adobe Web site at:<http://www.adobe.com>

---

### Lenovo ThinkVantage Tools

The Lenovo ThinkVantage® Tools program guides you to a host of information sources and provides easy access to various tools to help you work more easily and securely.

**Note:** The Lenovo ThinkVantage Tools program is only available on computers preinstalled with the Microsoft® Windows® 7 operating system from Lenovo.

To access the Lenovo ThinkVantage Tools program, click **Start** → **All Programs** → **Lenovo ThinkVantage Tools**.

---

### ThinkVantage Productivity Center

The ThinkVantage Productivity Center program contains information sources and tools designed to make computing easy and secure. It provides easy access to various technologies, such as:

- Password Manager
- Power Manager
- Product Recovery
- Rescue and Recovery®
- System Update

**Note:** The ThinkVantage Productivity Center program is only available on computers preinstalled with the Microsoft Windows Vista® operating system or the Microsoft Windows XP operating system from Lenovo.

To access the ThinkVantage Productivity Center program, click **Start** → **All Programs** → **ThinkVantage** → **Productivity Center**.

---

## Lenovo Welcome

The Lenovo Welcome program introduces some innovative built-in features of Lenovo to you and guides you through some important setup tasks to help you make the most of your computer.

**Note:** The Lenovo Welcome program is only available on computers preinstalled with Windows 7 or Windows Vista from Lenovo.

---

## Access Help

The Access Help information system provides information about getting started, doing basic tasks, customizing settings for your personal preference, protecting data, expanding and upgrading, and troubleshooting.

- To open the Access Help information system on Windows 7, click **Start** → **Help and Support** → **Lenovo Access Help**.
- To open the Access Help information system on Windows Vista or Windows XP, click **Start** → **All Programs** → **ThinkVantage** → **Access Help**.

After you have opened the Access Help information system, use the left panel to make a selection from the **Contents** tab or the **Index** tab, or use the **Search** tab to find a particular word or phrase.

---

## Additional information resources

If you have Internet access, the most up-to-date information for your computer is available at:<http://www.lenovo.com/support>

You can find the following information:

- Customer Replaceable Unit (CRU) installation or replacement instructions
  - Downloads and drivers
  - Parts information
  - Publications
  - Troubleshooting information
  - Links to other useful sources of information
- 

## Specifications

This section lists the physical specifications for your computer.

**Dimensions**

Width: 286 mm (11.26 inches)

Height: 82.5 mm (3.25 inches)

Depth: 235.5 mm (9.27 inches)

**Weight**

Maximum configuration as shipped: 4.18 kg (9.22 lbs)

**Environment**

- Air temperature:
  - Operating: 10° to 35°C (50° to 95°F)
  - Non-operating: -40° to 60°C (-40° to 140°F) (with package)
  - Non-operating: -10° to 60°C (14° to 140°F) (without package)
- Humidity:
  - Operating: 20% to 80% (10% per hour, non condensing)
  - Non-operating: 20% to 90% (10% per hour, non condensing)
- Maximum altitude:
  - Operating: -50 to 10 000 ft (-15.2 to 3 048 m)
  - Non-operating: -50 to 35 000 ft (-15.2 to 10 668 m)

**Electrical input**

- Input voltage:
  - Low range:
    - Minimum: 100 V ac
    - Maximum: 127 V ac
    - Input frequency range: 50 to 60 Hz
  - High range:
    - Minimum: 200 V ac
    - Maximum: 240 V ac
    - Input frequency range: 50 to 60 Hz



---

## Chapter 4. General checkout

### Attention

The drives in the computer you are servicing might have been rearranged or the drive startup sequence might have been changed. Be extremely careful during write operations such as copying, saving, or formatting. Data or programs can be overwritten if you select an incorrect drive.

General error messages appear if a problem or conflict is found by an application program, the operating system, or both. For the explanation of these messages, refer to the information supplied with that software package.

Before replacing any a FRU, make sure that the latest level of Basic Input Output System (BIOS) is installed on your computer. A down-level BIOS might cause false errors and unnecessary replacement of the system board. For more information on how to determine and obtain the latest level BIOS, see “BIOS levels” on page 99.

Use the following procedure to help you determine the cause of a problem:

1. Turn off all attached external devices and the computer.
2. Check all cables and power cords.
3. Set all display controls to the middle position.
4. Turn on all attached external devices and the computer.
  - Look for the displayed error codes
  - Listen for the beep codes
  - Look for readable instructions or a main menu on the display.If you *do not* receive the correct response, proceed to step 5 on page 33.

If you *do* receive the correct response, run the diagnostics. See “Running the diagnostic program from a diagnostic disc” on page 38.

5. Check the following conditions and follow the instructions:
  - If you hear beep codes during power-on self-test (POST), go to “Beep symptoms” on page 61.
  - If the computer displays a POST error, go to “POST error codes” on page 61.
  - If the computer hangs and no error is displayed, go to “Power problems” on page 33.

---

### Checking for power problems

If the computer does not turn on when the power switch is pressed, use the following procedure to help you solve the problem:

1. Press the power switch to turn on the computer. Check the power indicator light-emitting diode (LED) next to the power switch.
  - If the LED is illuminated (on), the computer power is OK. Attempt to run the diagnostics. See “Running the diagnostic program from a diagnostic disc” on page 38.
  - If the LED is not illuminated (off), go to step .
2. Check the status of the power indicator LED on the ac/dc power adapter.
  - If the LED is illuminated (on), go to step .
  - If the LED is not illuminated (off), go to the next step .
3. Verify that the power cord is correctly connected to an ac power outlet.

4. Verify that you are using a working ac power outlet. Plug another device into the outlet or contact the power company or supplier to verify that the outlet is working correctly.
  5. Check the power cord continuity.
  6. Replace the ac/dc power adapter.
  7. Verify that the power cord of the ac/dc power adapter is correctly connected to the computer. See “Locating connectors on the rear of your computer” on page 65.
  8. Removing the computer cover. See “Removing the computer cover” on page 68.
  9. Check the power switch/LED assembly connector on the system board. See “Locating parts on the system board” on page 67. Reseat the cable from the power switch/LED assembly to the system board.
  10. Replace the power switch/LED assembly.
  11. Replace the system board. See “Replacing the system board” on page 82.
- 

## Problem determination tips

Due to the variety of hardware and software combinations that can be encountered, use the following information to help you on problem determination. If possible, have this information available when requesting assistance from Service Support and Engineering functions.

- Machine type and model
- Microprocessor or hard disk drive upgrades
- Failure symptom
  - Do diagnostics indicate a failure?
  - What, when, where, single, or multiple systems?
  - Is the failure repeatable?
  - Has this configuration ever worked?
  - If it has been working, what changes were made prior to it failing?
  - Is this the original reported failure?
- Diagnostics version
  - Type and version level
- Hardware configuration
  - Print (print screen) configuration currently in use
  - BIOS level
- Operating system software
  - Type and version level

**Notes:** To eliminate confusion, identical systems are considered identical only if they:

1. Are the exact machine type and models
2. Have the same BIOS level
3. Have the same adapters/attachments in the same locations
4. Have the same address jumpers/terminators/cabling
5. Have the same software versions and levels
6. Have the same Diagnostic diskettes (version)
7. Have the same configuration options set in the system
8. Have the same setup for the operating-system-controlled files



Comparing the configuration and software setup between “working and non-working” systems will often lead to problem resolution.



---

## Chapter 5. Diagnostics

Diagnostic programs are used to test hardware components of your computer and report operating-system-controlled settings that can cause hardware failures. There are two programs preinstalled on your computer to help you diagnose computer problems:

- Lenovo ThinkVantage Toolbox or Lenovo System Toolbox, depending on your operating system (used when you are running the Windows operating system)
- PC-Doctor for Rescue and Recovery (used when your Windows operating system does not start)

### Notes:

1. You can also download the PC-Doctor for DOS diagnostic program from:<http://www.lenovo.com/support> See “PC-Doctor for DOS” on page 38 for detailed information.
2. If you are unable to isolate and repair the problem yourself after running the diagnostic programs, save and print the log files created by the diagnostic programs. You will need the log files when you speak to a Lenovo technical support representative.

---

### Lenovo ThinkVantage Toolbox

**Note:** The Lenovo ThinkVantage Toolbox program is only available on computers preinstalled with Windows 7 from Lenovo.

The Lenovo ThinkVantage Toolbox program helps you maintain your computer, improve computing security, diagnose computer problems, get familiar with the innovative technologies provided by Lenovo, and get more information about your computer. You can use the Diagnostics feature of the Lenovo ThinkVantage Toolbox program to test devices, diagnose problems, create bootable diagnostic media, update system drivers, and review system information.

To diagnose the computer problems by using the Lenovo ThinkVantage Toolbox program, click **Start** → **All Programs** → **Lenovo ThinkVantage Tools** → **System Health and Diagnostics** → **Diagnostics**. Follow the instructions on the screen.

For additional information about running the Lenovo ThinkVantage Toolbox program, refer to the help system of the Lenovo ThinkVantage Toolbox program.

---

### Lenovo System Toolbox

**Note:** The Lenovo System Toolbox program is only available on computers preinstalled with Windows Vista or Windows XP from Lenovo.

The Lenovo System Toolbox is a diagnostic program that works through the Windows operating system and enables you to view symptoms and solutions for computer problems, access the Lenovo troubleshooting center, update system drivers, and review system information.

To run the Lenovo System Toolbox program, click **Start** → **All Programs** → **Lenovo Services** → **Lenovo System Toolbox**. Follow the instructions on the screen. For additional information about running the Lenovo System Toolbox program, refer to the help system of the Lenovo System Toolbox program.

The Lenovo System Toolbox program also has problem determination aids that determine software and usage problems.

---

## PC-Doctor for Rescue and Recovery

The PC-Doctor for Rescue and Recovery diagnostic program is part of the Rescue and Recovery workspace on each Lenovo computer. Use the PC-Doctor for Rescue and Recovery program if you are unable to start the Windows operating system.

To run the PC-Doctor for Rescue and Recovery program from the Rescue and Recovery workspace, do the following:

1. Turn off the computer.
2. Repeatedly press and release the F11 key when turning on the computer. When you hear beeps or see a logo screen, stop pressing the F11 key. The Rescue and Recovery workspace opens after a short delay.
3. From the Rescue and Recovery workspace, select **Launch advanced Rescue and Recovery** → **Diagnose hardware**. The PC-Doctor for Rescue and Recovery diagnostic program opens.
4. Select the diagnostic test you want to run. Then, follow the instructions on the screen.

For additional information about running the PC-Doctor for Rescue and Recovery program, refer to the PC-Doctor for Rescue and Recovery help system.

**Note:** If you encounter failures that prevent you from gaining access to the Rescue and Recovery workspace, you can run the PC-Doctor for Rescue and Recovery diagnostic program after using a rescue medium to recover the computer from failures and gaining access to the Rescue and Recovery workspace. See “Creating and using rescue media” in your *ThinkCentre User Guide*.

---

## PC-Doctor for DOS

You can also download the latest version of the PC-Doctor for DOS diagnostic program from <http://www.lenovo.com/support>. The PC-Doctor for DOS diagnostic program runs independently of the Windows operating system. Use the PC-Doctor for DOS diagnostic program if you are unable to start the Windows operating system or if the two diagnostic programs preinstalled on your computer have not been successful in isolating a possible problem. You can run the PC-Doctor for DOS diagnostic program from a diagnostic disc that you created.

### Creating a diagnostic disc

This section provides instructions on how to create a diagnostic disc.

To create a diagnostic disc, do the following:

1. Download a self-starting bootable CD/DVD image (known as an ISO image) of the diagnostic program from: <http://www.lenovo.com/support>
2. Use any CD/DVD burning software to create a diagnostic disc with the ISO image.

### Running the diagnostic program from a diagnostic disc

This section provides instructions on how to run the diagnostic program from a diagnostic disc that you created.

To run the diagnostic program from a diagnostic disc that you created, do the following:

1. Make sure the optical drive you want to use is set as the first boot device in the startup device sequence. See “Selecting a startup device” on page 43.
2. Make sure the computer is turned on and then insert the disc into the optical drive. The diagnostic program opens.

**Note:** You can insert the disc into the optical drive when you are setting the startup device sequence. However, if you insert the disc into the optical drive when you have already entered the operating system, you need to restart the computer to access the diagnostic program.

3. Follow the instructions on the screen to select the diagnostic test you want to run. For additional help, press the F1 key.
4. Remove the diagnostic disc from the optical drive when you complete the diagnostic process.

## Navigating through the diagnostics programs

Use the cursor movement keys to navigate within the menus.

- The Enter key is used to select a menu item.
- The Esc key is used to back up to the previous menu.
- For online help select F1.

## Running tests

There are four ways to run the diagnostic tests.

- Using the cursor movement keys, highlight **Run Normal Test** or **Run Quick Test** from the Diagnostics menu and then press Enter. This automatically runs a pre-defined group of tests from each test category. **Run Normal Test** runs a more extensive set of tests than **Run Quick Test** does and takes longer to complete.
- Press F5 to automatically run all selected tests in all categories.
- From within a test category, press Ctrl-Enter to automatically run only the selected tests in that category.
- Using the cursor movement keys, highlight a single test within a test category, and then press Enter. This runs only that test.

Press Esc at any time to stop the testing process.

Test results (N/A, PASSED, FAILED, ABORTED) are displayed in the field beside the test description and in the test log. See “Viewing the test log” on page 40.

To select one or more tests, do the following:

1. Open the corresponding test category.
2. Using the cursor movement keys, highlight the desired test.
3. Press the space bar. A selected test is marked by >>. Pressing the space bar again de-selects a test and removes the >>.
4. Repeat steps 2 and 3 above to select all desired tests.

## Test results

Diagnostics test results produce the following error code format:

Function Code	Failure Type	DeviceID	Date	ChkDigits	Text
---------------	--------------	----------	------	-----------	------

- **Function Code:** Represents the feature or function within the computer.
- **Failure Type:** Represents the type of error encountered.
- **DeviceID:** Contains the component's unit-ID that corresponds to a fixed disk drive, removable media drive, processor, specific RIMM, or a device on the PCI bus.
- **Date:** Contains the date when the diagnostic test was run. The date is retrieved from CMOS and displayed using the YYYYMMDD format.

- **ChkDigits:** Contains a 2-digit check-digit value to ensure the following:
  - Diagnostics were run on the specified date.
  - Diagnostics were run on the specified computer.
  - The diagnostic error code is recorded correctly.
- **Text:** Description of the error.

**Note:** See “Diagnostic error codes” on page 45 for error code listings.

### Quick and Full erase - hard disk drive

The diagnostics program offers two hard disk drive format utilities:

- Quick Erase Hard Drive
- Full Erase Hard Drive

Quick Erase Hard Drive provides a DOS utility that performs the following:

- Destroys the Master Boot Record (MBR) on the hard disk drive.
- Destroys all copies of the FAT Table on all partitions (both the master and backup).
- Destroys the partition table.
- Provides messages that warn the user about a non-recoverable process.

Full Erase Hard Drive provides a DOS utility that performs the following:

- Performs all the steps in Quick Erase.
- Provides a DOS utility that writes random data to all sectors of the hard disk drive.
- Provides an estimate of time to completion along with a visual representation of completion status.
- Provides messages that warn the user about a non-recoverable process.

**Important:** Make sure that all data is backed up before using the Quick or Full Erase functions.

To select the Quick Erase Hard Drive or Full Erase Hard Drive utility, do the following:

1. Select the UTILITY option on the toolbar and press Enter.
2. Select either the QUICK ERASE or FULL ERASE HARD DISK option and follow the instructions.

### Viewing the test log

To view details of a failure or to view a list of test results, use the following procedure from any test category screen:

1. Press F3 to activate the log file.
2. Press F3 again to save the file to diskette or press F2 to print the file.

---

## Chapter 6. Using the Setup Utility

The Setup Utility program is used to view and change the configuration settings of your computer, regardless of which operating system you are using. However, the operating system settings might override any similar settings in the Setup Utility program.

---

### Starting the Setup Utility program

To start the Setup Utility program, do the following:

1. Make sure your computer is turned off.
2. Repeatedly press and release the F1 key when turning on the computer. When you hear multiple beeps or see a logo screen, release the F1 key. The Setup Utility program opens.

**Note:** If a password has been set, the Setup Utility program menu will not be displayed until you type the correct password. For more information, see “Using passwords” on page 41.

---

### Viewing and changing settings

The Setup Utility program menu lists various items about the system configuration. To view or change settings, start the Setup Utility program. See “Starting the Setup Utility program” on page 41. Then, follow the instructions on the screen.

When working with the Setup Utility program, you must use the keyboard. The keys used to perform various tasks are displayed at the bottom of each screen.

---

### Using passwords

By using the Setup Utility program, you can set passwords to prevent unauthorized access to your computer and data. The following options are available for you to set a user password or a supervisor password:

- Set User Password
- Change Supervisor Password

You do not have to set any passwords to use your computer. However, using passwords improves computing security. If you decide to set any passwords, read the following sections.

### Password considerations

A password can be any combination of seven to ten alphabetic and numeric characters. For security reasons, it is recommended to use a strong password that cannot be easily compromised. To set a strong password, use the following guidelines:

- Have at least eight characters in length and contain at least one alphabetic character and one numeric character
- Setup Utility program passwords are not case sensitive
- Not be your name or your user name
- Not be a common word or a common name
- Be significantly different from your previous passwords

## Set User Password

After you have set a user password using the Set User Password option, the user is prompted to type a valid password each time the computer is turned on. The computer cannot be used until a valid password is typed in. For more information on how to set a password, see “Setting, changing, and deleting a password” on page 42.

## Change Supervisor Password

The Change Supervisor Password option enables you to set a password, which deters unauthorized users from changing configuration settings. If you are responsible for maintaining the settings of several computers, you might want to set a supervisor password. For more information on how to set a password, see “Setting, changing, and deleting a password” on page 42.

After you have set a supervisor password, a password prompt is displayed each time you try to access the Setup Utility program. You cannot access the Setup Utility program until a valid password is typed in.

If you have set both the user password and the supervisor password, you can type either password. However, to change any configuration settings, you must use your supervisor password.

## Setting, changing, and deleting a password

To set, change, or delete a password, do the following:

1. Start the Setup Utility program. See “Starting the Setup Utility program” on page 41.
2. From the Setup Utility program main menu, select **Security**.
3. Follow the instructions displayed on the screen to set, change, or delete a password.

**Note:** A password can be any combination of seven to ten alphabetic and numeric characters. For more information, see “Password considerations” on page 41.

---

## Enabling or disabling a device

This section provides instructions on how to enable or disable a device.

**Note:** When the **SATA#1 Configuration** option is set to **Disabled**, all devices connected to the SATA connectors (such as the hard disk drive and the optical drive) are disabled and will not be displayed in the system configuration.

To enable or disable a device, do the following:

1. Start the Setup Utility program. See “Starting the Setup Utility program” on page 41.
2. Depending on your model type, select **Device** or select **Device** → **ATA Drives Setup** from the Setup Utility program main menu.
3. Select the desired devices and settings, and press Enter.
4. Press Esc to return to the Setup Utility program main menu. You might have to press Esc several times.
5. Press F10 to save and exit the Setup Utility program.

### Notes:

- a. If you do not want to save the settings, select **Exit** → **Discard Changes and Exit**.
- b. If you have changed the settings and want to return to the default settings, select **Exit** → **Load Optimal Defaults** or press F9.



---

## Selecting a startup device

If your computer does not start up from a device such as the hard disk drive or the disc in the optical drive as expected, do one of the following to select the startup device you want.

### Selecting a temporary startup device

Use this procedure to start up from any startup device.

**Note:** Not all discs, hard disk drives, and diskettes are bootable.

To select a temporary startup device, do the following:

1. Turn off your computer.
2. Repeatedly press and release the F12 key when turning on the computer. When the **Startup Device Menu** opens, release the F12 key.
3. Select the desired startup device from the **Startup Device Menu** and press Enter to begin.

**Note:** Selecting a startup device from the **Startup Device Menu** does not permanently change the startup sequence.

### Selecting or changing the startup device sequence

To view or permanently change the configured startup device sequence, do the following:

1. Start the Setup Utility program. See “Starting the Setup Utility program” on page 41.
2. Select **Startup → Primary Boot Sequence**. Read the information displayed on the right side of the screen.
3. Select the first boot device, second boot device, and so on.
4. Press Esc to return to the **Startup** menu. Then, select the devices for the **Automatic Boot Sequence** and **Error Boot Sequence**.
5. Press Esc to return to the Setup Utility program main menu. You might have to press Esc several times.
6. Press F10 to save and exit the Setup Utility program.

**Notes:**

- a. If you do not want to save the settings, select **Exit → Discard Changes and Exit**.
- b. If you have changed the settings and want to return to the default settings, select **Exit → Load Optimal Defaults** or press F9.

---

## Exiting from the Setup Utility program

After you finish viewing or changing the settings, press Esc to return to the Setup Utility program main menu. You might have to press Esc several times. Then, do one of the following:

- If you want to save the new settings, press F10 to save and exit the Setup Utility program. Otherwise, your changes will not be saved.
- If you do not want to save the settings, select **Exit → Discard Changes and Exit**.
- If you have changed the settings and want to return to the default settings, select **Exit → Load Optimal Defaults** or press F9.



---

## Chapter 7. Symptom-to-FRU index

The Symptom-to-FRU index lists error symptoms and possible causes. The most likely cause is listed first. Always begin with the Chapter 4 “General checkout” on page 33. You can use this index to help you decide which FRUs are needed when servicing a computer. If you are unable to correct the problem using this index, go to “Undetermined problems” on page 64.

**Notes:**

1. If you have both an error message and an incorrect audio response, diagnose the error message first.
2. If you cannot run the diagnostic tests or you get a diagnostic error code when running a test, but did receive a POST error message, diagnose the POST error message first.
3. If you did not receive any error message, look for a description of your error symptoms in the first part of this index.

---

### Hard disk drive boot error

A hard disk drive boot error (error codes 1962 and I999030X) can have the following causes.

Error	FRU/Action
The start-up drive is not in the boot sequence in configuration.	Check the configuration and ensure the start-up drive is in the boot sequence.
No operating system installed on the boot drive.	Install an operating system on the boot drive.
The boot sector on the start-up drive is corrupted.	The drive must be formatted. Do the following: <ol style="list-style-type: none"><li>1. Attempt to back up the data on the failing hard disk drive.</li><li>2. Using the operating system programs, format the hard disk drive.</li></ol>
The drive is defective.	Replace the hard disk drive.

---

### Diagnostic error codes

Refer to the following diagnostic error codes when using the diagnostic tests. See “Running tests” on page 39 for the specific type for information about the diagnostic programs.

In the following index, X can represent any number.

Diagnostic error code	FRU/Action
<b>000-000-XXX</b> BIOS Test Passed	No action
<b>000-002-XXX</b> BIOS Timeout	<ol style="list-style-type: none"><li>1. Flash the system. See “Updating (flashing) BIOS from a disc” on page 99</li><li>2. System board</li></ol>
<b>000-024-XXX</b> BIOS Addressing test failure	<ol style="list-style-type: none"><li>1. Flash the system. See “Updating (flashing) BIOS from a disc” on page 99</li><li>2. System board</li></ol>
<b>000-025-XXX</b> BIOS Checksum Value error	<ol style="list-style-type: none"><li>1. Flash the system. See “Updating (flashing) BIOS from a disc” on page 99</li><li>2. System board</li></ol>

Diagnostic error code	FRU/Action
<b>000-026-XXX</b> FLASH data error	<ol style="list-style-type: none"> <li>Flash the system. See “Updating (flashing) BIOS from a disc” on page 99</li> <li>System board</li> </ol>
<b>000-027-XXX</b> BIOS Configuration/Setup error	<ol style="list-style-type: none"> <li>Run Setup</li> <li>Flash the system. See “Updating (flashing) BIOS from a disc” on page 99</li> <li>System board</li> </ol>
<b>000-034-XXX</b> BIOS Buffer Allocation failure	<ol style="list-style-type: none"> <li>Reboot the system</li> <li>Flash the system. See “Updating (flashing) BIOS from a disc” on page 99</li> <li>Run memory test</li> <li>System board</li> </ol>
<b>000-035-XXX</b> BIOS Reset Condition detected	<ol style="list-style-type: none"> <li>Flash the system. See “Updating (flashing) BIOS from a disc” on page 99</li> <li>System board</li> </ol>
<b>000-036-XXX</b> BIOS Register error	<ol style="list-style-type: none"> <li>Flash the system. See “Updating (flashing) BIOS from a disc” on page 99</li> <li>System board</li> </ol>
<b>000-038-XXX</b> BIOS Extension failure	<ol style="list-style-type: none"> <li>Flash the system. See “Updating (flashing) BIOS from a disc” on page 99</li> <li>Adapter card</li> <li>System board</li> </ol>
<b>000-039-XXX</b> BIOS DMI data error	<ol style="list-style-type: none"> <li>Flash the system. See “Updating (flashing) BIOS from a disc” on page 99</li> <li>System board</li> </ol>
<b>000-195-XXX</b> BIOS Test aborted by user	Information only Re-start the test, if necessary
<b>000-196-XXX</b> BIOS test halt, error threshold exceeded	<ol style="list-style-type: none"> <li>Press F3 to review the log file</li> <li>Re-start the test to reset the log file</li> </ol>
<b>000-197-XXX</b> BIOS test warning	<ol style="list-style-type: none"> <li>Make sure the component that is called out is connected and/or enabled. See Chapter 6 “Using the Setup Utility” on page 41</li> <li>Re-run test</li> <li>Replace the component that is called out in warning statement</li> <li>Replace the component under test</li> </ol>
<b>000-198-XXX</b> BIOS test aborted	<ol style="list-style-type: none"> <li>Make sure the component that is called out is connected and/or enabled. See Chapter 6 “Using the Setup Utility” on page 41</li> <li>Flash the system and retest. See “Updating (flashing) BIOS from a disc” on page 99</li> <li>Go to “Undetermined problems” on page 64</li> </ol>
<b>000-199-XXX</b> BIOS test failed, cause unknown	<ol style="list-style-type: none"> <li>Go to “Undetermined problems” on page 64</li> <li>Flash the system and re-test</li> <li>Replace component under function test</li> </ol>

<b>Diagnostic error code</b>	<b>FRU/Action</b>
<b>000-250-XXX</b> BIOS APM failure	<ol style="list-style-type: none"> <li>1. Flash the system. See “Updating (flashing) BIOS from a disc” on page 99</li> <li>2. System board</li> </ol>
<b>000-270-XXX</b> BIOS ACPI failure	<ol style="list-style-type: none"> <li>1. Flash the system. See “Updating (flashing) BIOS from a disc” on page 99</li> <li>2. System board</li> </ol>
<b>001-000-XXX</b> System test passed	No action
<b>001-00X-XXX</b> System error	System board
<b>001-01X-XXX</b> System error	System board
<b>001-024-XXX</b> System addressing test failure	System board
<b>001-025-XXX</b> System checksum value error	<ol style="list-style-type: none"> <li>1. Flash the system. See “Updating (flashing) BIOS from a disc” on page 99</li> <li>2. System board</li> </ol>
<b>001-026-XXX</b> System FLASH data error	<ol style="list-style-type: none"> <li>1. Flash the system. See “Updating (flashing) BIOS from a disc” on page 99</li> <li>2. System board</li> </ol>
<b>001-027-XXX</b> System configuration/setup error	<ol style="list-style-type: none"> <li>1. Run Setup</li> <li>2. Flash the system. See “Updating (flashing) BIOS from a disc” on page 99</li> <li>3. System board</li> </ol>
<b>001-032-XXX</b> System device controller failure	System board
<b>001-034-XXX</b> System device buffer allocation failure	<ol style="list-style-type: none"> <li>1. Reboot the system</li> <li>2. Flash the system. See “Updating (flashing) BIOS from a disc” on page 99</li> <li>3. Run memory test</li> <li>4. System board</li> </ol>
<b>001-035-XXX</b> System device reset condition detected	System board
<b>001-036-XXX</b> System register error	System board
<b>001-038-XXX</b> System extension failure	<ol style="list-style-type: none"> <li>1. Adapter card</li> <li>2. System board</li> </ol>
<b>001-039-XXX</b> System DMI data structure error	<ol style="list-style-type: none"> <li>1. Flash the system. See “Updating (flashing) BIOS from a disc” on page 99</li> <li>2. System board</li> </ol>
<b>001-040-XXX</b> System IRQ failure	<ol style="list-style-type: none"> <li>1. Power-off/on system and re-test</li> <li>2. System board</li> </ol>
<b>001-041-XXX</b> System DMA failure	<ol style="list-style-type: none"> <li>1. Power-off/on system and re-test</li> <li>2. System board</li> </ol>
<b>001-195-XXX</b> System test aborted by user	Information only Re-start the test, if necessary
<b>001-196-XXX</b> System test halt, error threshold exceeded	<ol style="list-style-type: none"> <li>1. Press F3 to review the log file</li> <li>2. Re-start the test to reset the log file</li> </ol>

Diagnostic error code	FRU/Action
<b>001-197-XXX</b> System test warning	<ol style="list-style-type: none"> <li>1. Make sure the component that is called out is connected and/or enabled. See Chapter 6 “Using the Setup Utility” on page 41</li> <li>2. Re-run test</li> <li>3. Replace the component that is called out in warning statement</li> <li>4. Replace the component under test</li> </ol>
<b>001-198-XXX</b> System test aborted	<ol style="list-style-type: none"> <li>1. If a component is called out, make sure it is connected and/or enabled. See Chapter 6 “Using the Setup Utility” on page 41</li> <li>2. Flash the system and retest. See “Updating (flashing) BIOS from a disc” on page 99</li> <li>3. Go to “Undetermined problems” on page 64</li> </ol>
<b>001-199-XXX</b> System test failed, cause unknown	<ol style="list-style-type: none"> <li>1. Go to “Undetermined problems” on page 64</li> <li>2. Flash the system and re-test</li> <li>3. Replace component under function test</li> </ol>
<b>001-250-XXX</b> System ECC error	System board
<b>001-254-XXX 001-255-XXX 001-256-XXX 001-257-XXX</b> System DMA error	System board
<b>001-260-XXX 001-264-XXX</b> System IRQ error	System board
<b>001-268-XXX</b> System IRQ1 failure	<ol style="list-style-type: none"> <li>1. Device on IRQ1</li> <li>2. System board</li> </ol>
<b>001-269-XXX</b> System IRQ2 failure	<ol style="list-style-type: none"> <li>1. Device on IRQ2</li> <li>2. System board</li> </ol>
<b>001-270-XXX</b> System IRQ3 failure	<ol style="list-style-type: none"> <li>1. Device on IRQ3</li> <li>2. System board</li> </ol>
<b>001-271-XXX</b> System IRQ4 failure	<ol style="list-style-type: none"> <li>1. Device on IRQ4</li> <li>2. System board</li> </ol>
<b>001-272-XXX</b> System IRQ5 failure	<ol style="list-style-type: none"> <li>1. Device on IRQ5</li> <li>2. System board</li> </ol>
<b>001-273-XXX</b> System IRQ6 (diskette drive) failure	<ol style="list-style-type: none"> <li>1. Diskette Cable</li> <li>2. Diskette drive</li> <li>3. System board</li> </ol>
<b>001-274-XXX</b> System IRQ7 failure	<ol style="list-style-type: none"> <li>1. Device on IRQ7</li> <li>2. System board</li> </ol>
<b>001-275-XXX</b> System IRQ8 failure	<ol style="list-style-type: none"> <li>1. Device on IRQ8</li> <li>2. System board</li> </ol>
<b>001-276-XXX</b> System IRQ9 failure	<ol style="list-style-type: none"> <li>1. Device on IRQ9</li> <li>2. System board</li> </ol>
<b>001-277-XXX</b> System IRQ10 failure	<ol style="list-style-type: none"> <li>1. Device on IRQ10</li> <li>2. System board</li> </ol>
<b>001-278-XXX</b> System IRQ11 failure	<ol style="list-style-type: none"> <li>1. Device on IRQ11</li> <li>2. System board</li> </ol>

<b>Diagnostic error code</b>	<b>FRU/Action</b>
<b>001-279-XXX</b> System IRQ12 failure	<ol style="list-style-type: none"> <li>1. Device on IRQ12</li> <li>2. System board</li> </ol>
<b>001-280-XXX</b> System IRQ13 failure	<ol style="list-style-type: none"> <li>1. Device on IRQ13</li> <li>2. System board</li> </ol>
<b>001-281-XXX</b> System IRQ14 (hard disk drive) failure	<ol style="list-style-type: none"> <li>1. Hard disk drive cable</li> <li>2. Hard disk drive</li> <li>3. System board</li> </ol>
<b>001-282-XXX</b> System IRQ15 failure	<ol style="list-style-type: none"> <li>1. Device on IRQ15</li> <li>2. System board</li> </ol>
<b>001-286-XXX 001-287-XXX 001-288-XXX</b> System Timer failure	System board
<b>001-292-XXX</b> System CMOS RAM error	<ol style="list-style-type: none"> <li>1. Run Setup and re-test</li> <li>2. System board</li> </ol>
<b>001-293-XXX</b> System CMOS Battery	<ol style="list-style-type: none"> <li>1. CMOS Battery</li> <li>2. System board</li> </ol>
<b>001-298-XXX</b> System RTC date/time update failure	<ol style="list-style-type: none"> <li>1. Flash the system. See “Updating (flashing) BIOS from a disc” on page 99</li> <li>2. System board</li> </ol>
<b>001-299-XXX</b> System RTC periodic interrupt failure	System board
<b>001-300-XXX</b> System RTC Alarm failure	System board
<b>001-301-XXX</b> System RTC Century byte error	<ol style="list-style-type: none"> <li>1. Flash the system. See “Updating (flashing) BIOS from a disc” on page 99</li> <li>2. System board</li> </ol>
<b>005-000-XXX</b> Video test passed	No action
<b>005-00X-XXX</b> Video error	<ol style="list-style-type: none"> <li>1. Video card, if installed</li> <li>2. System board</li> </ol>
<b>005-010-XXX 005-011-XXX 005-012-XXX 005-013-XXX</b> Video signal failure	<ol style="list-style-type: none"> <li>1. Video card, if installed</li> <li>2. System board</li> </ol>
<b>005-016-XXX</b> Video simple pattern test failure	<ol style="list-style-type: none"> <li>1. Video Ram</li> <li>2. Video card, if installed</li> <li>3. System board</li> </ol>
<b>005-024-XXX</b> Video addressing test failure	<ol style="list-style-type: none"> <li>1. Video card, if installed</li> <li>2. System board</li> </ol>
<b>005-025-XXX</b> Video checksum value error	<ol style="list-style-type: none"> <li>1. Video card, if installed</li> <li>2. System board</li> </ol>
<b>005-027-XXX</b> Video configuration/setup error	<ol style="list-style-type: none"> <li>1. Run Setup</li> <li>2. Video drivers update</li> <li>3. Video card, if installed</li> <li>4. System board</li> </ol>

Diagnostic error code	FRU/Action
005-031-XXX Video device cable failure	<ol style="list-style-type: none"> <li>1. Video cable</li> <li>2. Monitor</li> <li>3. Video card, if installed</li> <li>4. System board</li> </ol>
005-032-XXX Video device controller failure	<ol style="list-style-type: none"> <li>1. Video card, if installed</li> <li>2. System board</li> </ol>
005-036-XXX Video register error	<ol style="list-style-type: none"> <li>1. Video card, if installed</li> <li>2. System board</li> </ol>
005-038-XXX System BIOS extension failure	<ol style="list-style-type: none"> <li>1. Video card, if installed</li> <li>2. System board</li> </ol>
005-040-XXX Video IRQ failure	<ol style="list-style-type: none"> <li>1. Video card, if installed</li> <li>2. System board</li> </ol>
005-195-XXX Video test aborted by user	Information only Re-start the test, if necessary
005-196-XXX Video test halt, error threshold exceeded	<ol style="list-style-type: none"> <li>1. Press F3 to review the log file</li> <li>2. Re-start the test to reset the log file</li> </ol>
005-197-XXX Video test warning	<ol style="list-style-type: none"> <li>1. Make sure the component that is called out is connected and/or enabled. See Chapter 6 “Using the Setup Utility” on page 41</li> <li>2. Re-run test</li> <li>3. Replace the component called out in warning statement</li> <li>4. Replace the component under test</li> </ol>
005-198-XXX Video test aborted	<ol style="list-style-type: none"> <li>1. If a component is called out, make sure it is connected and/or enabled. See Chapter 6 “Using the Setup Utility” on page 41</li> <li>2. Flash the system and re-test. See “Updating (flashing) BIOS from a disc” on page 99</li> <li>3. Go to “Undetermined problems” on page 64</li> </ol>
005-199-XXX Video test failed, cause unknown	<ol style="list-style-type: none"> <li>1. Go to “Undetermined problems” on page 64</li> <li>2. Flash the system and re-test. See “Updating (flashing) BIOS from a disc” on page 99</li> <li>3. Replace component under function test</li> </ol>
005-2XX-XXX 005-3XX-XXX Video subsystem error	<ol style="list-style-type: none"> <li>1. Video card, if installed</li> <li>2. System board</li> </ol>
006-000-XXX Diskette interface Test Passed	No action
006-0XX-XXX Diskette interface error	<ol style="list-style-type: none"> <li>1. Diskette drive Cable</li> <li>2. Diskette drive</li> <li>3. System board</li> </ol>
006-195-XXX Diskette interface Test aborted by user	Information only Re-start the test, if necessary
006-196-XXX Diskette interface test halt, error threshold exceeded	<ol style="list-style-type: none"> <li>1. Press F3 to review the log file</li> <li>2. Re-start the test to reset the log file</li> </ol>



Diagnostic error code	FRU/Action
<b>006-197-XXX</b> Diskette interface test warning	<ol style="list-style-type: none"> <li>1. If a component is called out, make sure it is connected and/or enabled</li> <li>2. Re-run test</li> <li>3. Replace the component that is called out in warning statement</li> <li>4. Replace the component under test</li> </ol>
<b>006-198-XXX</b> Diskette interface test aborted	<ol style="list-style-type: none"> <li>1. If a component is called out, make sure it is connected and/or enabled</li> <li>2. Flash the system and re-test. See “Updating (flashing) BIOS from a disc” on page 99</li> <li>3. Go to “Undetermined problems” on page 64</li> </ol>
<b>006-199-XXX</b> Diskette interface test failed, cause unknown	<ol style="list-style-type: none"> <li>1. Go to “Undetermined problems” on page 64</li> <li>2. Flash the system and re-test</li> <li>3. Replace component under function test</li> </ol>
<b>006-25X-XXX</b> Diskette interface Error	<ol style="list-style-type: none"> <li>1. Diskette drive cable</li> <li>2. Diskette drive</li> <li>3. System board</li> </ol>
<b>015-000-XXX</b> USB port interface Test Passed	No action
<b>015-001-XXX</b> USB port presence	<ol style="list-style-type: none"> <li>1. Remove USB device(s) and re-test</li> <li>2. System board</li> </ol>
<b>015-002-XXX</b> USB port timeout	<ol style="list-style-type: none"> <li>1. Remove USB device(s) and re-test</li> <li>2. System board</li> </ol>
<b>015-015-XXX</b> USB port external loopback failure	<ol style="list-style-type: none"> <li>1. Remove USB device(s) and re-test</li> <li>2. System board</li> </ol>
<b>015-027-XXX</b> USB port configuration/setup error	<ol style="list-style-type: none"> <li>1. Flash the system. See “Updating (flashing) BIOS from a disc” on page 99</li> <li>2. System board</li> </ol>
<b>015-032-XXX</b> USB port device controller failure	System board
<b>015-034-XXX</b> USB port buffer allocation failure	<ol style="list-style-type: none"> <li>1. Reboot the system</li> <li>2. Flash the system and re-test. See “Updating (flashing) BIOS from a disc” on page 99</li> <li>3. Run memory test</li> <li>4. System board</li> </ol>
<b>015-035-XXX</b> USB port reset condition detected	<ol style="list-style-type: none"> <li>1. Remove USB device(s) and re-test</li> <li>2. System board</li> </ol>
<b>015-036-XXX</b> USB port register error	System board
<b>015-040-XXX</b> USB port IRQ failure	<ol style="list-style-type: none"> <li>1. Run setup and check for conflicts</li> <li>2. Flash the system. See “Updating (flashing) BIOS from a disc” on page 99</li> <li>3. System board</li> </ol>
<b>015-195-XXX</b> USB port test aborted by user	Information only Re-start the test, if necessary
<b>015-196-XXX</b> USB port test halt, error threshold exceeded	<ol style="list-style-type: none"> <li>1. Press F3 to review the log file</li> <li>2. Re-start the test to reset the log file</li> </ol>

Diagnostic error code	FRU/Action
<b>015-197-XXX</b> USB port test warning	<ol style="list-style-type: none"> <li>1. Make sure the component that is called out is connected and/or enabled. See Chapter 6 “Using the Setup Utility” on page 41</li> <li>2. Re-run test</li> <li>3. Replace the component that is called out in warning statement</li> <li>4. Replace the component under test</li> </ol>
<b>015-198-XXX</b> USB port test aborted	<ol style="list-style-type: none"> <li>1. If a component is called out, make sure it is connected and/or enabled. See Chapter 6 “Using the Setup Utility” on page 41</li> <li>2. Flash the system and re-test. See “Updating (flashing) BIOS from a disc” on page 99</li> <li>3. Go to “Undetermined problems” on page 64</li> </ol>
<b>015-199-XXX</b> USB port test failed, cause unknown	<ol style="list-style-type: none"> <li>1. Go to “Undetermined problems” on page 64</li> <li>2. Flash the system and re-test. See “Updating (flashing) BIOS from a disc” on page 99</li> <li>3. Replace component under function test</li> </ol>
<b>018-000-XXX</b> PCI card test passed	No action
<b>018-0XX-XXX</b> PCI card failure	<ol style="list-style-type: none"> <li>1. Riser card, if installed</li> <li>2. System board</li> </ol>
<b>018-195-XXX</b> PCI card test aborted by user	<ol style="list-style-type: none"> <li>1. PCI card</li> <li>2. Information only Re-start the test, if necessary</li> </ol>
<b>018-196-XXX</b> PCI card test halt, error threshold exceeded	<ol style="list-style-type: none"> <li>1. Press F3 to review the log file</li> <li>2. Re-start the test to reset the log file</li> </ol>
<b>018-197-XXX</b> PCI card test warning	<ol style="list-style-type: none"> <li>1. Make sure the component that is called out is connected and/or enabled. See Chapter 6 “Using the Setup Utility” on page 41</li> <li>2. Re-run test</li> <li>3. Replace the component that is called out in warning statement</li> <li>4. Replace the component under test</li> </ol>
<b>018-198-XXX</b> PCI card test aborted	<ol style="list-style-type: none"> <li>1. If a component is called out, make sure it is connected and/or enabled. See Chapter 6 “Using the Setup Utility” on page 41</li> <li>2. Flash the system and re-test. See “Updating (flashing) BIOS from a disc” on page 99</li> <li>3. Go to “Undetermined problems” on page 64</li> </ol>
<b>018-199-XXX</b> PCI card test failed, cause unknown	<ol style="list-style-type: none"> <li>1. Go to “Undetermined problems” on page 64</li> <li>2. Flash the system and re-test. See “Updating (flashing) BIOS from a disc” on page 99</li> <li>3. Replace component under function test</li> </ol>
<b>018-250-XXX</b> PCI card services error	<ol style="list-style-type: none"> <li>1. PCI card</li> <li>2. Riser card, if installed</li> <li>3. System board</li> </ol>
<b>020-000-XXX</b> PCI interface test passed	No action

Diagnostic error code	FRU/Action
<b>020-0XX-XXX</b> PCI interface error	<ol style="list-style-type: none"> <li>1. PCI card</li> <li>2. Riser card, if installed</li> <li>3. System board</li> </ol>
<b>020-195-XXX</b> PCI test aborted by user	Information only Re-start the test, if necessary
<b>020-196-XXX</b> PCI test halt, error threshold exceeded	<ol style="list-style-type: none"> <li>1. Press F3 to review the log file</li> <li>2. Re-start the test to reset the log file</li> </ol>
<b>020-197-XXX</b> PCI test warning	<ol style="list-style-type: none"> <li>1. Make sure the component that is called out is connected and/or enabled. See Chapter 6 “Using the Setup Utility” on page 41</li> <li>2. Re-run test</li> <li>3. Replace the component that is called out in warning statement</li> <li>4. Replace the component under test</li> </ol>
<b>020-198-XXX</b> PCI test aborted	<ol style="list-style-type: none"> <li>1. If a component is called out, make sure it is connected and/or enabled. See Chapter 6 “Using the Setup Utility” on page 41</li> <li>2. Flash the system and re-test. See “Updating (flashing) BIOS from a disc” on page 99</li> <li>3. Go to “Undetermined problems” on page 64</li> </ol>
<b>020-199-XXX</b> PCI test failed, cause unknown	<ol style="list-style-type: none"> <li>1. Go to “Undetermined problems” on page 64</li> <li>2. Flash the system and re-test. See “Updating (flashing) BIOS from a disc” on page 99</li> <li>3. Replace component under function test</li> </ol>
<b>020-262-XXX</b> PCI system error	<ol style="list-style-type: none"> <li>1. PCI card</li> <li>2. Riser card, if installed</li> <li>3. System board</li> </ol>
<b>025-000-XXX</b> IDE interface Test Passed	No action
<b>025-00X-XXX 025-01X-XXX</b> IDE interface failure	<ol style="list-style-type: none"> <li>1. IDE signal cable</li> <li>2. Check power supply voltages</li> <li>3. Reseat IDE signal cable</li> <li>4. IDE device</li> <li>5. System board</li> </ol>
<b>025-027-XXX</b> IDE interface Configuration/Setup error	<ol style="list-style-type: none"> <li>1. IDE signal cable</li> <li>2. Flash the system. See “Updating (flashing) BIOS from a disc” on page 99</li> <li>3. Reseat IDE signal cable</li> <li>4. IDE device</li> <li>5. System board</li> </ol>
<b>025-02X-XXX 025-03X-XXX 025-04X-XXX</b> IDE Interface failure	<ol style="list-style-type: none"> <li>1. IDE signal cable</li> <li>2. Check AC/DC power adapter</li> <li>3. Reseat IDE signal cable</li> <li>4. IDE device</li> <li>5. System board</li> </ol>
<b>025-195-XXX</b> IDE interface Test aborted by user	Information only Re-start the test, if necessary

Diagnostic error code	FRU/Action
<b>025-196-XXX</b> IDE interface test halt, error threshold exceeded	<ol style="list-style-type: none"> <li>1. Press F3 to review the log file</li> <li>2. Re-start the test to reset the log file</li> </ol>
<b>025-197-XXX</b> IDE interface test warning	<ol style="list-style-type: none"> <li>1. Make sure the component that is called out is connected and/or enabled. See Chapter 6 “Using the Setup Utility” on page 41</li> <li>2. Re-run test</li> <li>3. Replace the component that is called out in warning statement</li> <li>4. Replace the component under test</li> </ol>
<b>025-198-XXX</b> IDE interface test aborted	<ol style="list-style-type: none"> <li>1. If a component is called out, make sure it is connected and/or enabled. See Chapter 6 “Using the Setup Utility” on page 41</li> <li>2. Flash the system and re-test. See “Updating (flashing) BIOS from a disc” on page 99</li> <li>3. Go to “Undetermined problems” on page 64</li> </ol>
<b>025-199-XXX</b> IDE interface test failed, cause unknown	<ol style="list-style-type: none"> <li>1. Go to “Undetermined problems” on page 64</li> <li>2. Flash the system and re-test. See “Updating (flashing) BIOS from a disc” on page 99</li> <li>3. Replace component under function test</li> </ol>
<b>030-000-XXX</b> SCSI interface Test Passed	No action
<b>030-00X-XXX 030-01X-XXX</b> SCSI interface failure	<ol style="list-style-type: none"> <li>1. SCSI signal cable</li> <li>2. Check AC/DC power adapter</li> <li>3. SCSI device</li> <li>4. SCSI adapter card, if installed</li> <li>5. System board</li> </ol>
<b>030-027-XXX</b> SCSI interface configuration/setup error	<ol style="list-style-type: none"> <li>1. SCSI signal cable</li> <li>2. Flash the system. See “Updating (flashing) BIOS from a disc” on page 99</li> <li>3. SCSI device</li> <li>4. SCSI adapter card, if installed</li> <li>5. System board</li> </ol>
<b>030-03X-XXX 030-04X-XXX</b> SCSI interface error	<ol style="list-style-type: none"> <li>1. SCSI signal cable</li> <li>2. Check AC/DC power adapter</li> <li>3. SCSI device</li> <li>4. SCSI adapter card, if installed</li> <li>5. System board</li> </ol>
<b>030-195-XXX</b> SCSI interface test aborted by user	Information only Re-start the test, if necessary
<b>030-196-XXX</b> SCSI interface test halt, error threshold exceeded	<ol style="list-style-type: none"> <li>1. Press F3 to review the log file</li> <li>2. Re-start the test to reset the log file</li> </ol>

Diagnostic error code	FRU/Action
<b>030-197-XXX</b> SCSI interface test warning	<ol style="list-style-type: none"> <li>1. Make sure the component that is called out is connected and/or enabled. See Chapter 6 “Using the Setup Utility” on page 41</li> <li>2. Re-run test</li> <li>3. Replace the component that is called out in warning statement</li> <li>4. Replace the component under test</li> </ol>
<b>030-198-XXX</b> SCSI interface test aborted	<ol style="list-style-type: none"> <li>1. If a component is called out, make sure it is connected and/or enabled. See Chapter 6 “Using the Setup Utility” on page 41</li> <li>2. Flash the system and re-test. See “Updating (flashing) BIOS from a disc” on page 99</li> <li>3. Go to “Undetermined problems” on page 64</li> </ol>
<b>030-199-XXX</b> SCSI interface test failed, cause unknown	<ol style="list-style-type: none"> <li>1. Go to “Undetermined problems” on page 64</li> <li>2. Flash the system and re-test. See “Updating (flashing) BIOS from a disc” on page 99</li> <li>3. Replace component under function test</li> </ol>
<b>035-000-XXX</b> RAID interface test passed	No action
<b>035-0XX-XXX</b> RAID interface Failure	<ol style="list-style-type: none"> <li>1. RAID signal cable</li> <li>2. RAID device</li> <li>3. RAID adapter card, if installed</li> <li>4. System board</li> </ol>
<b>035-195-XXX</b> RAID interface test aborted by user	Information only Re-start the test, if necessary
<b>035-196-XXX</b> RAID interface test halt, error threshold exceeded	<ol style="list-style-type: none"> <li>1. Press F3 to review the log file</li> <li>2. Re-start the test to reset the log file</li> </ol>
<b>035-197-XXX</b> RAID interface test warning	<ol style="list-style-type: none"> <li>1. Make sure the component that is called out is connected and/or enabled. See Chapter 6 “Using the Setup Utility” on page 41</li> <li>2. Re-run test</li> <li>3. Replace the component that is called out in warning statement</li> <li>4. Replace the component under test</li> </ol>
<b>035-198-XXX</b> RAID interface test aborted	<ol style="list-style-type: none"> <li>1. If a component is called out, make sure it is connected and/or enabled. See Chapter 6 “Using the Setup Utility” on page 41</li> <li>2. Flash the system and re-test. See “Updating (flashing) BIOS from a disc” on page 99</li> <li>3. Go to “Undetermined problems” on page 64</li> </ol>
<b>035-199-XXX</b> RAID interface test failed, cause unknown	<ol style="list-style-type: none"> <li>1. See “Undetermined problems” on page 64</li> <li>2. Flash the system and re-test. See “Updating (flashing) BIOS from a disc” on page 99</li> <li>3. Replace component under function test</li> </ol>
<b>071-000-XXX</b> Audio port interface test passed	No action

Diagnostic error code	FRU/Action
<b>071-00X-XXX 071-01X-XXX 071-02X-XXX</b> Audio port error	<ol style="list-style-type: none"> <li>1. Run Setup</li> <li>2. Flash the system. See “Updating (flashing) BIOS from a disc” on page 99</li> <li>3. System board</li> </ol>
<b>071-03X-XXX</b> Audio port failure	<ol style="list-style-type: none"> <li>1. Speakers</li> <li>2. Microphone</li> <li>3. Audio card, if installed</li> <li>4. System board</li> </ol>
<b>071-04X-XXX</b> Audio port failure	<ol style="list-style-type: none"> <li>1. Run Setup</li> <li>2. Audio card, if installed</li> <li>3. System board</li> </ol>
<b>071-195-XXX</b> Audio port test aborted by user	Information only Re-start the test, if necessary
<b>071-196-XXX</b> Audio port test halt, error threshold exceeded	<ol style="list-style-type: none"> <li>1. Press F3 to review the log file</li> <li>2. Re-start the test to reset the log file</li> </ol>
<b>071-197-XXX</b> Audio port test warning	<ol style="list-style-type: none"> <li>1. Make sure the component that is called out is connected and/or enabled. See Chapter 6 “Using the Setup Utility” on page 41</li> <li>2. Re-run test</li> <li>3. Replace the component that is called out in warning statement</li> <li>4. Replace the component under test</li> </ol>
<b>071-198-XXX</b> Audio port test aborted	<ol style="list-style-type: none"> <li>1. If a component is called out, make sure it is connected and/or enabled. See Chapter 6 “Using the Setup Utility” on page 41</li> <li>2. Flash the system and re-test. See “Updating (flashing) BIOS from a disc” on page 99</li> <li>3. Go to “Undetermined problems” on page 64</li> </ol>
<b>071-199-XXX</b> Audio port test failed, cause unknown	<ol style="list-style-type: none"> <li>1. See “Undetermined problems” on page 64</li> <li>2. Flash the system and re-test. See “Updating (flashing) BIOS from a disc” on page 99</li> <li>3. Replace component under function test</li> </ol>
<b>071-25X-XXX</b> Audio port failure	<ol style="list-style-type: none"> <li>1. Speakers</li> <li>2. Audio card, if installed</li> <li>3. System board</li> </ol>
<b>080-000-XXX</b> Game port interface test passed	No action
<b>080-XXX-XXX</b> Game port interface error	<ol style="list-style-type: none"> <li>1. Remove the game port device and re-test the system</li> </ol>
<b>080-195-XXX</b> Game port interface test aborted by user	Information only Re-start the test, if necessary
<b>080-196-XXX</b> Game Port interface test halt, error threshold exceeded	<ol style="list-style-type: none"> <li>1. Press F3 to review the log file</li> <li>2. Re-start the test to reset the log file</li> </ol>

Diagnostic error code	FRU/Action
<b>080-197-XXX</b> Game port interface test warning	<ol style="list-style-type: none"> <li>1. Make sure the component that is called out is connected and/or enabled. See Chapter 6 “Using the Setup Utility” on page 41</li> <li>2. Re-run test</li> <li>3. Replace the component that is called out in warning statement</li> <li>4. Replace the component under test</li> </ol>
<b>080-198-XXX</b> Game port interface test aborted	<ol style="list-style-type: none"> <li>1. If a component is called out, make sure it is connected and/or enabled. See Chapter 6 “Using the Setup Utility” on page 41</li> <li>2. Flash the system and re-test. See “Updating (flashing) BIOS from a disc” on page 99</li> <li>3. Go to “Undetermined problems” on page 64</li> </ol>
<b>080-199-XXX</b> Game port interface test failed, cause unknown	<ol style="list-style-type: none"> <li>1. See “Undetermined problems” on page 64</li> <li>2. Flash the system and re-test. See “Updating (flashing) BIOS from a disc” on page 99</li> <li>3. Replace component under function test</li> </ol>
<b>086-000-XXX</b> Mouse port interface test passed	No action
<b>086-001-XXX</b> Mouse port interface presence	<ol style="list-style-type: none"> <li>1. Mouse</li> <li>2. System board</li> </ol>
<b>086-032-XXX</b> Mouse port interface device controller failure	<ol style="list-style-type: none"> <li>1. Mouse</li> <li>2. System board</li> </ol>
<b>086-035-XXX</b> Mouse port interface Reset	<ol style="list-style-type: none"> <li>1. Mouse</li> <li>2. System board</li> </ol>
<b>086-040-XXX</b> Mouse port interface IRQ failure	<ol style="list-style-type: none"> <li>1. Run Setup</li> <li>2. Mouse</li> <li>3. System board</li> </ol>
<b>086-195-XXX</b> Mouse port interface test aborted by user	Information only Re-start the test, if necessary
<b>086-196-XXX</b> Mouse port interface test halt, error threshold exceeded	<ol style="list-style-type: none"> <li>1. Press F3 to review the log file</li> <li>2. Re-start the test to reset the log file</li> </ol>
<b>086-197-XXX</b> Mouse port interface test warning	<ol style="list-style-type: none"> <li>1. Make sure the component that is called out is connected and/or enabled. See Chapter 6 “Using the Setup Utility” on page 41</li> <li>2. Re-run test</li> <li>3. Replace the component that is called out in warning statement</li> <li>4. Replace the component under test</li> </ol>
<b>086-198-XXX</b> Mouse port interface test aborted	<ol style="list-style-type: none"> <li>1. If a component is called out, make sure it is connected and/or enabled. See Chapter 6 “Using the Setup Utility” on page 41</li> <li>2. Flash the system and re-test. See “Updating (flashing) BIOS from a disc” on page 99</li> <li>3. Go to “Undetermined problems” on page 64</li> </ol>

Diagnostic error code	FRU/Action
<b>086-199-XXX</b> Mouse port interface test failed, cause unknown	<ol style="list-style-type: none"> <li>1. See “Undetermined problems” on page 64</li> <li>2. Flash the system and re-test. See “Updating (flashing) BIOS from a disc” on page 99</li> <li>3. Replace component under function test</li> </ol>
<b>089-000-XXX</b> Microprocessor test passed	No action
<b>089-XXX-XXX</b> Microprocessor failure	<ol style="list-style-type: none"> <li>1. Microprocessor(s)</li> <li>2. System board</li> </ol>
<b>089-195-XXX</b> Microprocessor test aborted by user	Information only Re-start the test, if necessary
<b>089-196-XXX</b> Microprocessor test halt, error threshold exceeded	<ol style="list-style-type: none"> <li>1. Press F3 to review the log file</li> <li>2. Re-start the test to reset the log file</li> </ol>
<b>089-197-XXX</b> Microprocessor test warning	<ol style="list-style-type: none"> <li>1. Make sure the component that is called out is connected and/or enabled. See Chapter 6 “Using the Setup Utility” on page 41</li> <li>2. Re-run test</li> <li>3. Replace the component that is called out in warning statement</li> <li>4. Replace the component under test</li> </ol>
<b>089-198-XXX</b> Microprocessor test aborted	<ol style="list-style-type: none"> <li>1. Flash the system. See “Updating (flashing) BIOS from a disc” on page 99</li> <li>2. Go to “Undetermined problems” on page 64</li> </ol>
<b>089-199-XXX</b> Microprocessor test failed, cause unknown	<ol style="list-style-type: none"> <li>1. See “Undetermined problems” on page 64</li> <li>2. Flash the system and re-test. See “Updating (flashing) BIOS from a disc” on page 99</li> <li>3. Replace component under function test</li> </ol>
<b>170-000-XXX</b> Voltage sensor(s) test passed	No action
<b>170-0XX-XXX</b> Voltage sensor(s) failure	<ol style="list-style-type: none"> <li>1. Flash system</li> <li>2. System board</li> </ol>
<b>170-195-XXX</b> Voltage sensor(s) test aborted by user	Information only Re-start the test, if necessary
<b>170-196-XXX</b> Voltage sensor(s) test halt, error threshold exceeded	<ol style="list-style-type: none"> <li>1. Press F3 to review the log file</li> <li>2. Re-start the test to reset the log file</li> </ol>
<b>170-197-XXX</b> Voltage sensor(s) test warning	<ol style="list-style-type: none"> <li>1. Make sure the component that is called out is connected and/or enabled. See Chapter 6 “Using the Setup Utility” on page 41</li> <li>2. Re-run test</li> <li>3. Replace the component that is called out in warning statement</li> <li>4. Replace the component under test</li> </ol>
<b>170-198-XXX</b> Voltage sensor(s) test aborted	<ol style="list-style-type: none"> <li>1. If a component is called out, make sure it is connected and/or enabled. See Chapter 6 “Using the Setup Utility” on page 41</li> <li>2. Flash the system and re-test. See “Updating (flashing) BIOS from a disc” on page 99</li> <li>3. Go to “Undetermined problems” on page 64</li> </ol>



Diagnostic error code	FRU/Action
<b>170-199-XXX</b> Voltage sensor(s) test failed, cause unknown	<ol style="list-style-type: none"> <li>1. See “Undetermined problems” on page 64</li> <li>2. Flash the system and re-test. See “Updating (flashing) BIOS from a disc” on page 99</li> <li>3. Replace component under function test</li> </ol>
<b>170-250-XXX 170-251-XXX</b> Voltage sensor(s) voltage limit error	<ol style="list-style-type: none"> <li>1. AC/DC power adapter</li> <li>2. System board</li> </ol>
<b>170-254-XXX</b> Voltage sensor(s) voltage regulator Module error	<ol style="list-style-type: none"> <li>1. Voltage Regulator Module (VRM)</li> <li>2. Microprocessor</li> <li>3. System board</li> </ol>
<b>175-000-XXX</b> Thermal sensor(s) test passed	No action
<b>175-0XX-XXX</b> Thermal sensor(s) failure	<ol style="list-style-type: none"> <li>1. Flash system</li> <li>2. System board</li> </ol>
<b>175-195-XXX</b> Thermal sensor(s) test aborted by user	Information only Re-start the test, if necessary
<b>175-196-XXX</b> Thermal sensor(s) test halt, error threshold exceeded	<ol style="list-style-type: none"> <li>1. Press F3 to review the log file</li> <li>2. Re-start the test to reset the log file</li> </ol>
<b>175-197-XXX</b> Thermal sensor(s) test warning	<ol style="list-style-type: none"> <li>1. Make sure the component that is called out is connected and/or enabled. See Chapter 6 “Using the Setup Utility” on page 41</li> <li>2. Re-run test</li> <li>3. Replace the component that is called out in warning statement</li> <li>4. Replace the component under test</li> </ol>
<b>175-198-XXX</b> Thermal sensor(s) test aborted	<ol style="list-style-type: none"> <li>1. If a component is called out, make sure it is connected and/or enabled</li> <li>2. Flash the system and re-test. See “Updating (flashing) BIOS from a disc” on page 99</li> <li>3. Go to “Undetermined problems” on page 64</li> </ol>
<b>175-199-XXX</b> Thermal sensor(s) test failed, cause unknown	<ol style="list-style-type: none"> <li>1. See “Undetermined problems” on page 64</li> <li>2. Flash the system and re-test. See “Updating (flashing) BIOS from a disc” on page 99</li> <li>3. Replace component under function test</li> </ol>
<b>175-250-XXX 175-251-XXX</b> Thermal sensor(s) limit error	<ol style="list-style-type: none"> <li>1. Check fans</li> <li>2. Check AC/DC power adapter voltages</li> <li>3. Microprocessor</li> <li>4. System board</li> </ol>
<b>185-000-XXX</b> Asset security test passed	No action
<b>185-XXX-XXX</b> Asset security failure	<ol style="list-style-type: none"> <li>1. Flash system</li> <li>2. System board</li> </ol>
<b>185-278-XXX</b> Asset security chassis intrusion	<ol style="list-style-type: none"> <li>1. Assure Asset Security Enabled</li> <li>2. C2 Cover Switch</li> <li>3. System board</li> </ol>
<b>201-000-XXX</b> System memory test passed	No action

<b>Diagnostic error code</b>	<b>FRU/Action</b>
<b>201-XXX-XXX</b> System memory error	<ol style="list-style-type: none"> <li>1. Replace the memory module called out by the test</li> <li>2. System board</li> </ol>
<b>202-000-XXX</b> System cache test passed	No action
<b>202-XXX-XXX</b> System cache error	<ol style="list-style-type: none"> <li>1. Cache, if removable</li> <li>2. System board</li> <li>3. Microprocessor</li> </ol>
<b>206-000-XXX</b> Diskette drive test passed	No action
<b>206-XXX-XXX</b> Diskette drive error	<ol style="list-style-type: none"> <li>1. Diskette Drive Cable</li> <li>2. Check AC/DC power adapter voltages</li> <li>3. Diskette drive</li> <li>4. System board</li> </ol>
<b>215-000-XXX</b> CD-ROM drive test passed	No action
<b>215-XXX-XXX</b> CD-ROM drive error	<ol style="list-style-type: none"> <li>1. CD-ROM Drive Cable</li> <li>2. Check AC/DC power adapter voltages</li> <li>3. CD-ROM drive</li> <li>4. System board</li> </ol>
<b>217-000-XXX</b> Hard disk drive test passed	No action
<b>217-25X-XXX 217-26X-XXX</b> Hard disk drive (IDE) error	<ol style="list-style-type: none"> <li>1. Hard Disk Drive Cable</li> <li>2. Check AC/DC power adapter voltages</li> <li>3. Reseat the hard disk drive cable</li> <li>4. Hard Disk drive (IDE)</li> <li>5. System board</li> </ol>
<b>217-28X-XXX 217-29X-XXX</b> Hard disk drive (SCSI) error	<ol style="list-style-type: none"> <li>1. Hard Disk Drive Cable</li> <li>2. Check AC/DC power adapter voltages</li> <li>3. Reseat the hard disk drive cable</li> <li>4. Hard Disk drive (SCSI)</li> <li>5. SCSI adapter card</li> <li>6. System board</li> </ol>
<b>220-000-XXX</b> Hi-Capacity cartridge drive test passed	No action
<b>220-XXX-XXX</b> Hi-Capacity cartridge drive error	<ol style="list-style-type: none"> <li>1. Remove the Hi-Capacity Cartridge Drive and re-test the system</li> </ol>
<b>301-XXX-XXX</b> Keyboard error	<ol style="list-style-type: none"> <li>1. Keyboard</li> <li>2. Check and test mouse</li> <li>3. System board</li> </ol>
<b>301-000-XXX</b> Keyboard test passed	No action
<b>302-000-XXX</b> Mouse test passed	No action
<b>302-XXX-XXX</b> Mouse error	<ol style="list-style-type: none"> <li>1. Mouse</li> <li>2. Check and test Keyboard</li> <li>3. System board</li> </ol>
<b>303-000-XXX</b> Joystick test passed	No action
<b>303-XXX-XXX</b> Joystick error	Remove the Joystick and re-test the system

Diagnostic error code	FRU/Action
<b>305-000-XXX</b> Monitor DDC test passed	No action
<b>305-250-XXX</b> Monitor DDC self test failure	<ol style="list-style-type: none"> <li>1. Run Setup to enable DDC</li> <li>2. Cable</li> <li>3. Monitor</li> <li>4. Video card</li> <li>5. System board</li> </ol>
<b>415-000-XXX</b> Modem test Passed	No action
<b>415-XXX-XXX</b> Modem error	Remove the Modem and re-test the system

## Beep symptoms

Beep symptoms are tones or a series of tones separated by pauses (intervals without sound) during POST.

The following table describes beep symptoms.

Beep symptom	FRU/Action
<b>1, 2, or 3 beeps</b>	Reseat the memory modules. If the error persists, replace the memory modules one at a time until the failing module is determined.
<b>4, 5, 6, or 7 beeps</b> <b>9, 10, or 11 beeps</b>	Before replacing the system board, remove any optional adapters (Express card, Modem card, Media reader) and retry. If the problem persists, replace the system board. Otherwise, reinstall the optional adapters one at a time until the failing adapter is determined.
<b>8 beeps</b>	Replace the system board.

## POST error codes

Each time you power-on the system, it performs a series of tests that check the operation of the system and some options. This series of tests is called the *Power-On Self-Test*, or *POST*.

The POST does the following operations:

- Checks some basic system-board operations
- Checks the memory operation
- Starts the video operation
- Verifies that the boot drive is working

If the POST detects a problem, an error message appears on the screen. A single problem can cause several error messages to appear. When you correct the cause of the first error message, the other error messages probably will not appear on the screen the next time you turn on the system.

POST error message	Description/Action
CMOS battery failed	The CMOS battery is no longer functional.  Replace the battery.
CMOS checksum error - defaults loaded	Checksum of CMOS is incorrect.  The computer loads the default configuration settings. This error might indicate that CMOS has become corrupt due to a weak CMOS battery.
CPU at nnnn	nnnn is the running speed of the microprocessor.
Press Esc to skip memory test	Pressing Esc skips the full memory test.
HARD DISK INSTALL FAILURE	Cannot find or initialize the hard disk drive controller or the drive.  Make sure the hard disk drive is correctly installed.  If no hard disk drives are installed, make sure the hard disk drive selection in setup is set to NONE.
Keyboard error or no keyboard present	Cannot initialize the keyboard.  Make sure the keyboard is correctly connected to the computer and that no keys are held pressed during POST.  To purposely configure the computer without a keyboard, set the error halt condition in Setup to HALT ON ALL, BUT KEYBOARD. The BIOS then ignores the missing keyboard during POST.
Memory test:	This message displays during a full memory test, counting down the memory areas being tested.
Memory test fail	If POST detects an error during memory testing, additional information appears. This information gives specifics about the type and location of the memory error.
Press TAB to show POST screen	Pressing the TAB key permits the user to toggle between the default POST display screen and a custom POST display screen.
Error: Non-System disk or disk error Replace and press any key when ready	The BIOS was unable to find a suitable boot device.  Make sure the boot drive is correctly connected to the computer.  Make sure you have bootable media.

## Miscellaneous error messages

The following table describes miscellaneous error messages.

Message/Symptom	FRU/Action
Changing display colors	Display/Monitor
Computer will <i>not</i> power-off. See "Power problems" on page 33.	<ol style="list-style-type: none"> <li>1. Power switch</li> <li>2. System board</li> <li>3. Riser card, if installed</li> </ol>

Message/Symptom	FRU/Action
Computer will <i>not</i> PXE from server	<ol style="list-style-type: none"> <li>1. Ensure that network is in startup sequence as first device or first device after diskette</li> <li>2. Ensure that network adapter is enabled for PXE</li> <li>3. Network adapter (Advise network administrator of new MAC address).</li> </ol>
Computer will <i>not</i> perform a Wake on LAN (if applicable)	<ol style="list-style-type: none"> <li>1. Check power supply and signal cable connections to network adapter</li> <li>2. Ensure that the operating system settings are set to enable the Wake On LAN operation</li> <li>3. Ensure Wake on LAN feature is enabled in Setup/Configuration (see "Starting the Setup Utility program" on page 41)</li> <li>4. Ensure network administrator is using correct MAC address</li> <li>5. Ensure no interrupt or I/O address conflicts</li> <li>6. Network adapter (advise network administrator of new MAC address)</li> </ol>
Dead computer. See "Power problems" on page 33.	<ol style="list-style-type: none"> <li>1. AC/DC Power Adapter</li> <li>2. System Board</li> </ol>
Diskette drive in-use light remains on or does not light when drive is active.	<ol style="list-style-type: none"> <li>1. Diskette Drive</li> <li>2. System Board</li> <li>3. Diskette Drive Cable</li> </ol>
Flashing cursor with an otherwise blank display.	<ol style="list-style-type: none"> <li>1. System Board</li> <li>2. Primary Hard Disk Drive</li> <li>3. Hard Disk Drive Cable</li> </ol>
Incorrect memory size during POST	<ol style="list-style-type: none"> <li>1. Run the Memory tests</li> <li>2. Memory Module</li> <li>3. System Board</li> </ol>
"Insert a Diskette" icon appears with a known-good diagnostics diskette in the first 3.5-inch diskette drive.	<ol style="list-style-type: none"> <li>1. System Board</li> <li>2. Diskette Drive Cable</li> <li>3. Network Adapter</li> </ol>
Intensity or color varies from left to right of characters and color bars	<ol style="list-style-type: none"> <li>1. Display</li> <li>2. Video adapter (if present)</li> <li>3. System Board</li> </ol>
No power or fan not running	<ol style="list-style-type: none"> <li>1. See "Power problems" on page 33.</li> </ol>
Non-system disk or disk error-type message with a known-good diagnostic diskette.	<ol style="list-style-type: none"> <li>1. Diskette Drive</li> <li>2. System Board</li> <li>3. Diskette Drive Cable</li> </ol>
Other display symptoms not listed above (including blank or illegible display)	<ol style="list-style-type: none"> <li>1. Display</li> <li>2. System Board</li> </ol>
Power-on indicator or hard disk drive in-use light not on, but computer works correctly	<ol style="list-style-type: none"> <li>1. Power switch/LED assembly</li> <li>2. System Board</li> </ol>
Printer problems	<ol style="list-style-type: none"> <li>1. Printer</li> <li>2. System Board</li> </ol>

Message/Symptom	FRU/Action
Program loads from the hard disk with a known-good diagnostics diskette in the first 3.5-inch diskette drive	<ol style="list-style-type: none"> <li>1. Run setup and check startup sequence.</li> <li>2. Diskette Drive</li> <li>3. Diskette Drive Cable</li> <li>4. System Board</li> <li>5. AC/DC power adapter</li> </ol>
PXE computer cannot access programs from its own hard disk.	Replace the hard disk drive
PXE computer does not PXE from server	<ol style="list-style-type: none"> <li>1. Check startup sequence</li> <li>2. Check the network adapter LED status</li> </ol>
Some or all keys on the keyboard do not work	<ol style="list-style-type: none"> <li>1. Keyboard</li> <li>2. Keyboard Cable</li> <li>3. System Board</li> </ol>

---

## Undetermined problems

If you encounter undetermined problems, do the following:

1. Turn off the computer and the power.
2. Remove or disconnect the following components (if installed) one at a time.
  - a. External devices (modem, printer, or mouse)
  - b. Memory modules
  - c. Extended video memory
  - d. External Cache
  - e. External Cache RAM
  - f. Hard disk drive
3. Turn on the power and the computer to re-test the system.
4. Repeat steps 1 through 3 until you find the failing device or adapter cards.

If all devices have been removed, and the problem continues, replace the system board. See “Replacing the system board” on page 82.

---

## Chapter 8. Replacing FRUs

This chapter provides step-by-step instructions for replacing major FRUs.

### Important

1. Be sure to read and understand the Chapter 2 “Safety information” on page 3 before replacing any FRU. These precautions and guidelines will help you work safely.
2. The replacement procedures in this manual are intended to be done only by trained service technicians.

---

## Locations

### Locating connectors on the front of your computer

Front connector locations shows the locations of the connectors on the front of your computer.

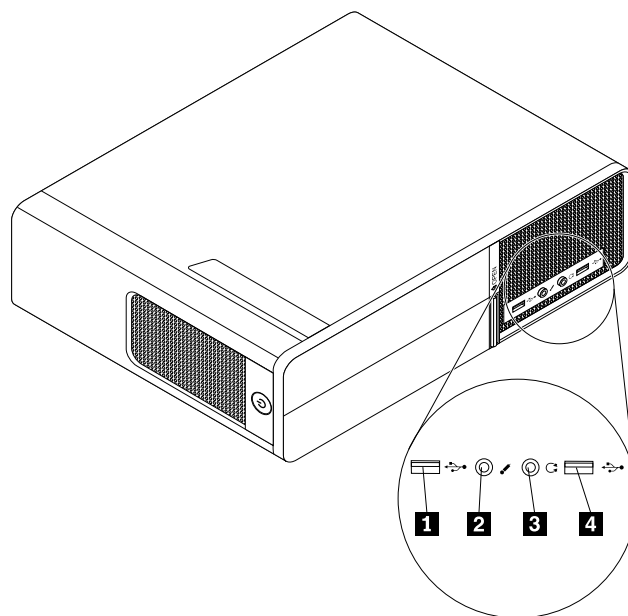


Figure 1. Front connector locations

**1** USB connector

**2** Microphone connector

**3** Headphone connector

**4** USB connector

### Locating connectors on the rear of your computer

Rear connector locations shows the locations of the connectors on the rear of your computer. Some connectors on the rear of your computer are color-coded to help you determine where to connect the cables on your computer.

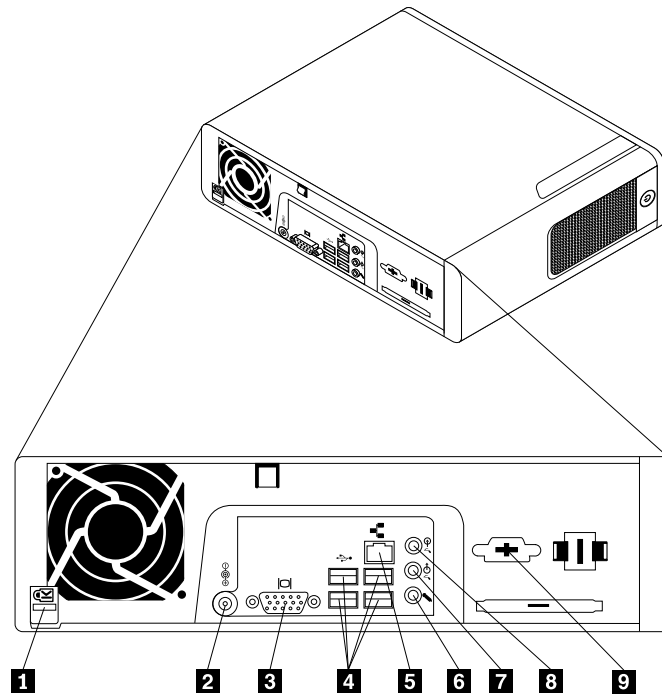


Figure 2. Rear connector locations

- |                                     |                                    |
|-------------------------------------|------------------------------------|
| <b>1</b> Cable lock latch           | <b>6</b> Microphone connector      |
| <b>2</b> ac power adapter connector | <b>7</b> Audio line-out connector  |
| <b>3</b> VGA monitor connector      | <b>8</b> Audio line-in connector   |
| <b>4</b> USB connectors (4)         | <b>9</b> Serial port (some models) |
| <b>5</b> Ethernet connector         |                                    |

## Locating components

Figure 3 “Component locations” on page 67 shows the locations of the various components in your computer. To remove the computer cover, see “Removing the computer cover” on page 68.



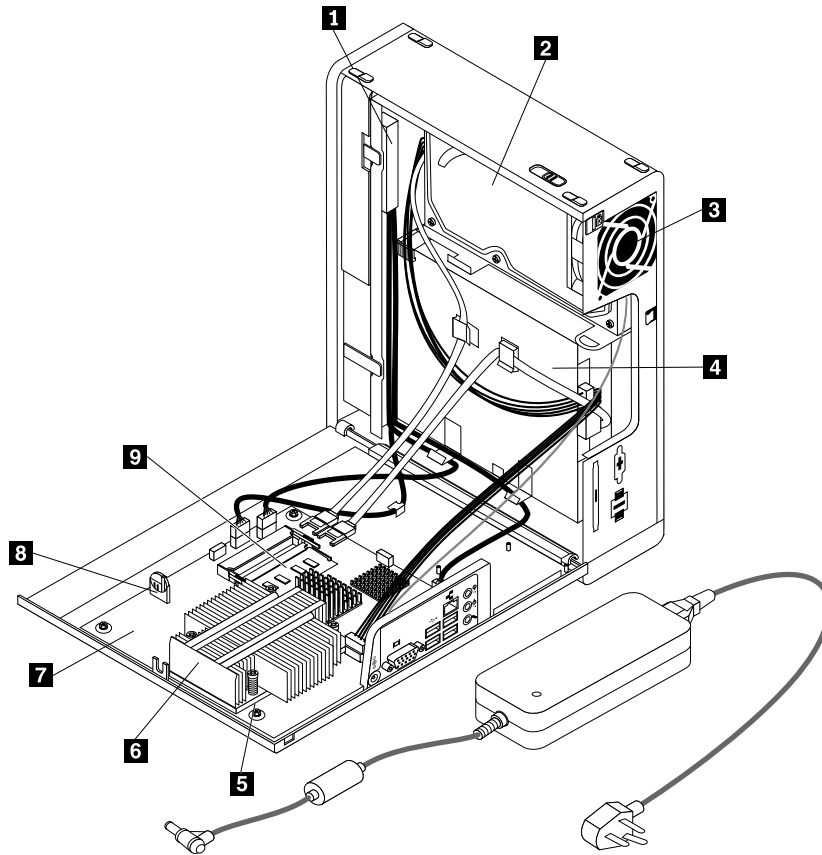


Figure 3. Component locations

- |                                       |                             |
|---------------------------------------|-----------------------------|
| <b>1</b> Front audio and USB assembly | <b>6</b> Heat sink          |
| <b>2</b> Hard disk drive              | <b>7</b> System board       |
| <b>3</b> System fan assembly          | <b>8</b> Battery            |
| <b>4</b> Optical drive                | <b>9</b> Memory modules (2) |
| <b>5</b> Microprocessor               |                             |

## Locating parts on the system board

Figure 4 “System board part locations” on page 68 shows the locations of the parts on the system board.

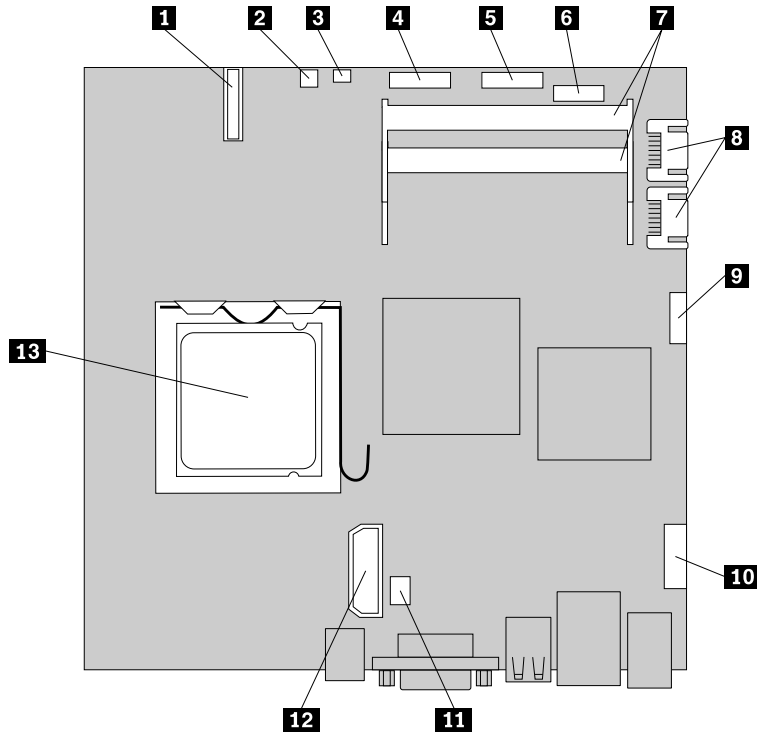


Figure 4. System board part locations

- |  |   |
|--|---|
| <b>1</b> Battery   | <b>8</b> SATA connectors (2)                    |
| <b>2</b> Thermal sensor connector  | <b>9</b> Front USB connector 2                  |
| <b>3</b> Clear CMOS (Complementary Metal Oxide Semiconductor) /Recovery jumper | <b>10</b> Front audio connector                 |
| <b>4</b> Serial (COM) connector  | <b>11</b> System fan connector                  |
| <b>5</b> Front panel connector   | <b>12</b> Internal power distribution connector |
| <b>6</b> Front USB connector 1   | <b>13</b> Microprocessor                        |
| <b>7</b> Memory slots (2)  |   |

## Removing the computer cover

### Attention

Do not open your computer or attempt any repair before reading and understanding the “Important safety information” in the *ThinkCentre Safety and Warranty Guide* that came with your computer. To obtain a copy of the *ThinkCentre Safety and Warranty Guide*, go to: <http://www.lenovo.com/support>

This section provides instructions on how to remove the computer cover.

### CAUTION:



Turn off the computer and wait three to five minutes to let the computer cool before removing the computer cover.

To remove the computer cover, do the following:

1. Remove any media from the drives. Then, turn off all attached devices and the computer.
2. Disconnect all power cords from electrical outlets.
3. Disconnect the power cords, Input/Output (I/O) cables, and any other cables that are connected to the computer.
4. Remove any locking devices, such as a cable lock that secures the computer cover.
5. Push the cover-release button on the side of the computer and pivot the computer cover outward.

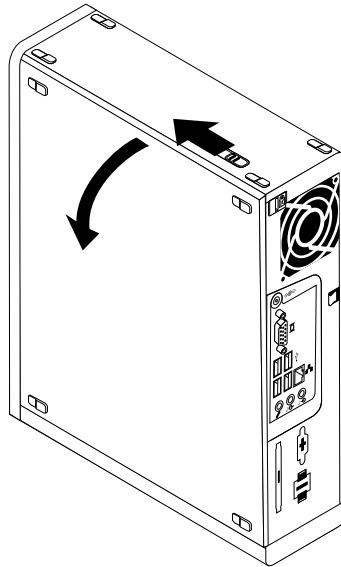


Figure 5. Removing the computer cover

6. Note the locations of all parts and connectors on the system board. See “Locating parts on the system board” on page 67.
7. Disconnect all the cables from the system board and completely remove the computer cover.

---

## Removing and reinstalling the front bezel

### Attention

Do not open your computer or attempt any repair before reading and understanding the “Important safety information” in the *ThinkCentre Safety and Warranty Guide* that came with your computer. To obtain a copy of the *ThinkCentre Safety and Warranty Guide*, go to: <http://www.lenovo.com/support>

This section provides instructions on how to remove and reinstall the front bezel.

To remove and reinstall the front bezel, do the following:

1. Remove the computer cover. See “Removing the computer cover” on page 68.
2. Remove the front bezel by releasing the two plastic tabs and pivoting the front bezel forward to completely remove it from the computer.

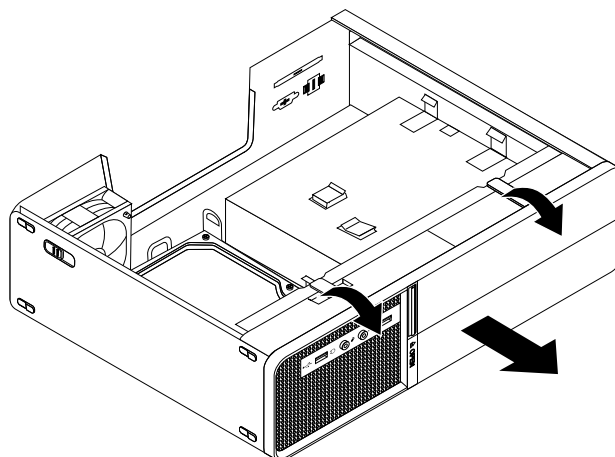


Figure 6. Removing the front bezel

3. To reinstall the front bezel, align the holes in the bottom of the front bezel with the corresponding plastic tabs on the chassis. Then, pivot the front bezel inward until it snaps into position.

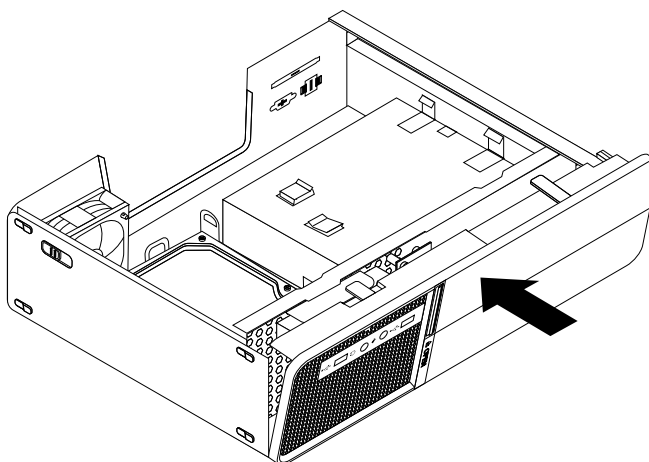


Figure 7. Reinstalling the front bezel

4. Go to “Completing the parts replacement” on page 84.

---

## Installing or replacing a memory module

### Attention

Do not open your computer or attempt any repair before reading and understanding the “Important safety information” in the *ThinkCentre Safety and Warranty Guide* that came with your computer. To obtain a copy of the *ThinkCentre Safety and Warranty Guide*, go to: <http://www.lenovo.com/support>

This section provides instructions on how to install or replace a memory module.

Your computer has two memory slots for installing or replacing 1 GB DDR2 SODIMMs that provide up to a maximum of 2 GB of system memory.

To install or replace a memory module, do the following:

1. Remove the computer cover. See “Removing the computer cover” on page 68.
2. Locate the memory slots on the system board. See “Locating parts on the system board” on page 67.
3. If you are replacing a memory module, open the retaining clips of the appropriate memory slot and remove the old memory module that is currently installed. If you are installing a memory module, go to step 4.

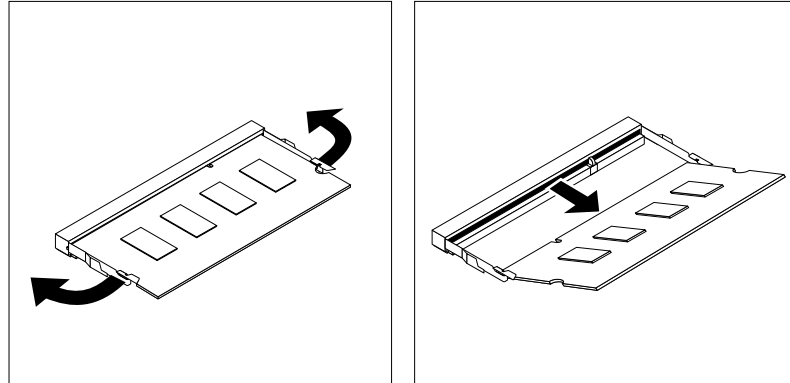


Figure 8. Removing the memory module

4. Insert the new memory module into the appropriate memory slot. Make sure that the notch **2** of the new memory module are aligned with the slot key **1** of the memory slot. Then, press the new memory module firmly and pivot it down until it snaps into position. Make sure that the new memory module is firmly installed in the memory slot and does not move easily.

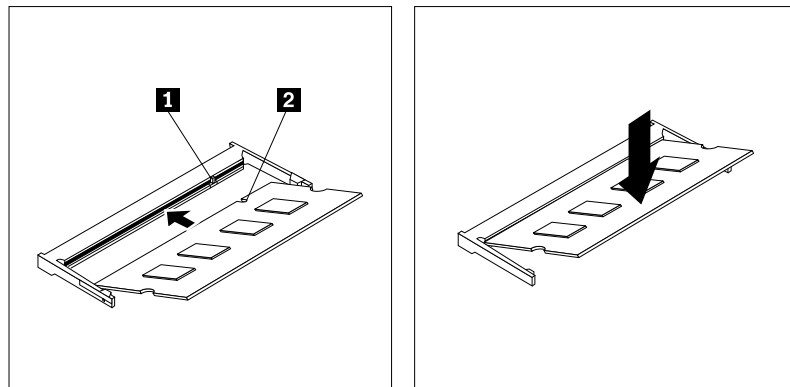


Figure 9. Installing the memory module

**What to do next:**

- To work with another piece of hardware, go to the appropriate section.
- To complete the installation or replacement, go to “Completing the parts replacement” on page 84.

## Replacing the battery

### Attention

Do not open your computer or attempt any repair before reading and understanding the “Important safety information” in the *ThinkCentre Safety and Warranty Guide* that came with your computer. To obtain a copy of the *ThinkCentre Safety and Warranty Guide*, go to: <http://www.lenovo.com/support>

Your computer has a special type of memory that maintains the date, time, and configuration information for built-in features. The battery keeps these information active when you turn off the computer.

The battery normally requires no charging or maintenance throughout its life, however, no battery lasts forever. If the battery fails, the date, time, and configuration information (including passwords) are lost. An error message is displayed when you turn on the computer.

Before performing the following procedure, be sure to read and understand the information about replacing and disposing of the battery in the “Lithium battery notice” section of the *ThinkCentre Safety and Warranty Guide*.

To replace the battery, do the following:

1. Remove the computer cover. See “Removing the computer cover” on page 68.
2. Locate the battery on the system board. See “Locating components” on page 66.
3. Remove the old battery.

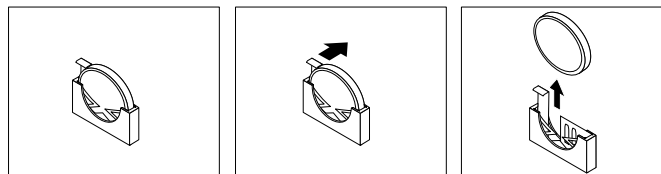


Figure 10. Removing the battery

4. Install the new battery.

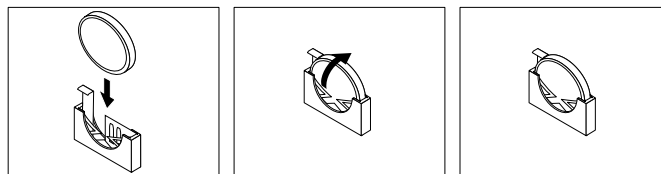


Figure 11. Installing the battery

5. Reinstall the computer cover and reconnect the cables. See “Completing the parts replacement” on page 84.
6. Turn on the computer and all attached devices.

**Note:** When the computer is turned on for the first time after replacing the battery, an error message might be displayed. This is normal after replacing the battery.

7. Use the Setup Utility program to set the date, time, and any passwords. See Chapter 6 “Using the Setup Utility” on page 41.

---

## Replacing the hard disk drive

### Attention

Do not open your computer or attempt any repair before reading and understanding the “Important safety information” in the *ThinkCentre Safety and Warranty Guide* that came with your computer. To obtain a copy of the *ThinkCentre Safety and Warranty Guide*, go to: <http://www.lenovo.com/support>

This section provides instructions on how to replace the hard disk drive.

To replace the hard disk drive, do the following:

1. Remove the computer cover. See “Removing the computer cover” on page 68.
2. The power cable connected to the optical drive might prevent you from replacing the hard disk drive. Disconnect the power cable from the optical drive first.
3. Place your finger on the tab located on the front of the hard disk drive and push upward. Meanwhile, press inward on the side tabs of the bracket and pivot the hard disk drive upward to remove it from the hard disk drive bay.

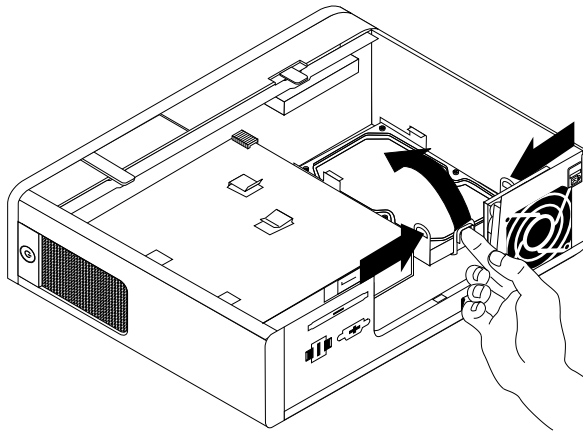


Figure 12. Removing the hard disk drive

4. Disconnect the signal cable and the power cable from the rear of the old hard disk drive to completely remove it from the computer.
5. Flex the sides of the plastic bracket properly so that the hard disk drive can be removed out of the bracket.
6. Install the new hard disk drive into the plastic bracket **1** by flexing the bracket properly and aligning the pins on the bracket with the corresponding holes on the hard disk drive. Do not touch the circuit board **2** on the bottom of the hard disk drive.

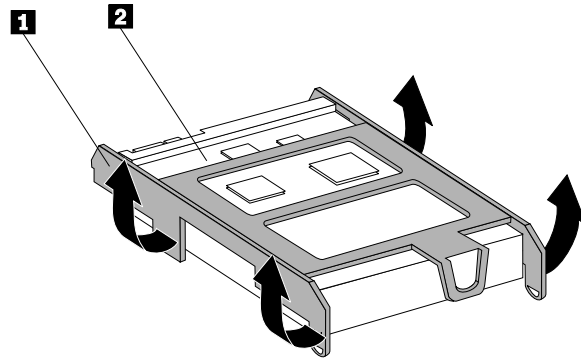


Figure 13. Installing the hard disk drive into the bracket

7. Connect the signal cable and the power cable to the rear of the new hard disk drive.
8. Slide the new hard disk drive into the hard disk drive bay and pivot it down until it snaps into position.

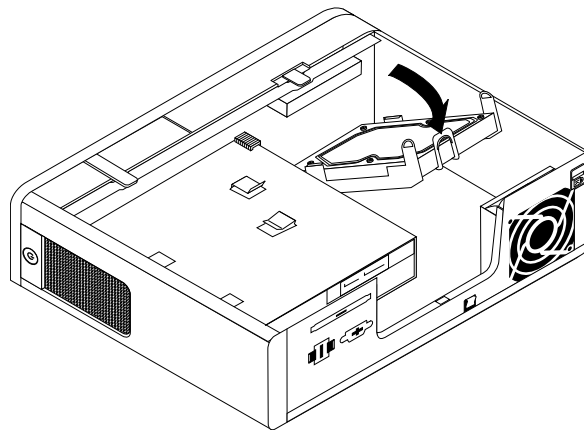


Figure 14. Installing the hard disk drive

9. Reconnect the power cable to the optical drive.

**What to do next:**

- To work with another piece of hardware, go to the appropriate section.
- To complete the replacement, go to “Completing the parts replacement” on page 84.

---

## Replacing the optical drive

**Attention**

Do not open your computer or attempt any repair before reading and understanding the “Important safety information” in the *ThinkCentre Safety and Warranty Guide* that came with your computer. To obtain a copy of the *ThinkCentre Safety and Warranty Guide*, go to: <http://www.lenovo.com/support>

This section provides instructions on how to replace the optical drive.

To replace the optical drive, do the following:



1. Remove the computer cover. See “Removing the computer cover” on page 68.
2. Remove the front bezel. See “Removing and reinstalling the front bezel” on page 69.
3. Disconnect the signal cable and the power cable from the rear of the optical drive.
4. Press the blue release button **1** and slide the optical drive out the front of the computer.

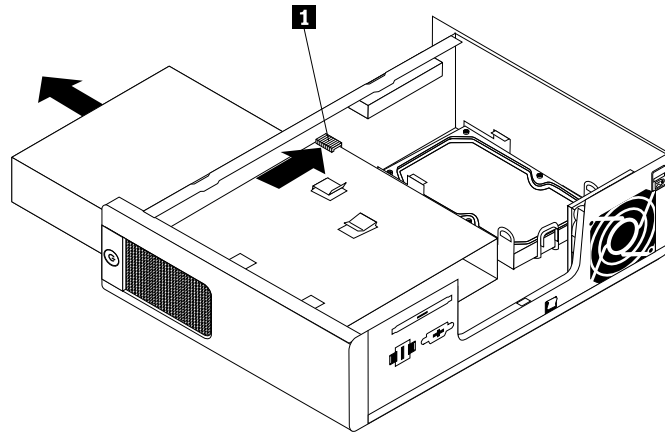


Figure 15. Removing the optical drive

5. Remove the optical drive retainer **1** from the old optical drive and install it on the side of the new optical drive.

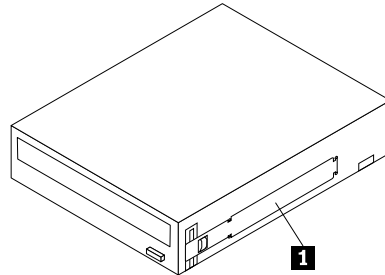


Figure 16. Installing the retainer on the optical drive

6. Slide the new optical drive into the drive bay until it snaps into position.

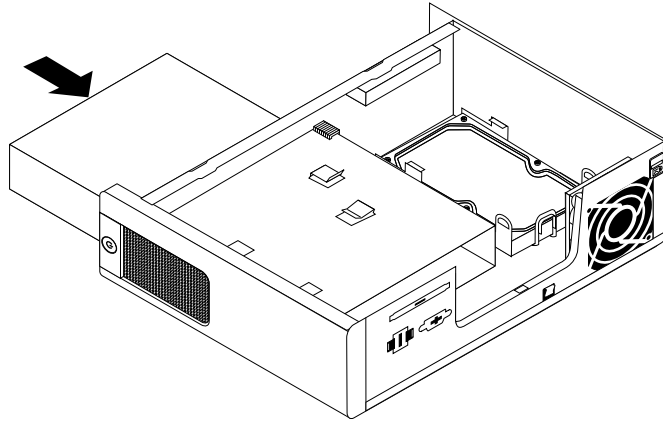


Figure 17. Installing the optical drive

7. Connect the signal cable and the power cable to the rear of the new optical drive.

**What to do next:**

- To work with another piece of hardware, go to the appropriate section.
- To complete the replacement, go to “Completing the parts replacement” on page 84.

---

## Replacing the heat sink

**Attention**

Do not open your computer or attempt any repair before reading and understanding the “Important safety information” in the *ThinkCentre Safety and Warranty Guide* that came with your computer. To obtain a copy of the *ThinkCentre Safety and Warranty Guide*, go to: <http://www.lenovo.com/support>

This section provides instructions on how to replace the heat sink.

**CAUTION:**



**The heat sink might be very hot. Turn off the computer and wait three to five minutes to let the computer cool before removing the computer cover.**

To replace the heat sink, do the following:

1. Remove the computer cover. See “Removing the computer cover” on page 68.
2. Locate the heat sink. See “Locating components” on page 66.
3. Remove the four screws that secure the heat sink. Then, lift the heat sink off the system board.

**Notes:**

- a. Carefully remove the four screws from the system board to avoid any possible damage. The four screws cannot be removed from the heat sink.
- b. You might have to gently twist the heat sink to free it from the microprocessor.
- c. When handling the heat sink, do not touch the thermal grease on the bottom of the heat sink.

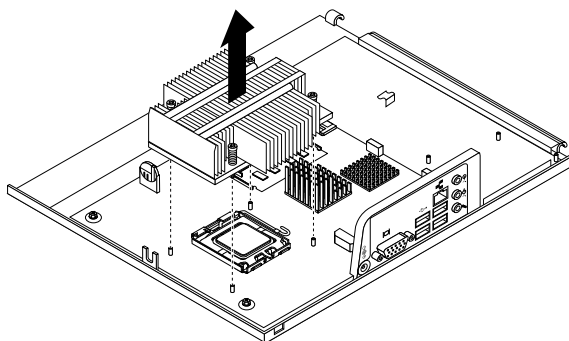


Figure 18. Removing the heat sink

4. Place the new heat sink on the system board so that the four screws are aligned with the four corresponding mounting studs on the system board.
5. Alternate tightening each screw a small and equal amount until the heat sink is secured to the system board. Do not over-tighten the screws.

**What to do next:**

- To work with another piece of hardware, go to the appropriate section.
- To complete the replacement, go to “Completing the parts replacement” on page 84.

---

## Replacing the system fan assembly

**Attention**

Do not open your computer or attempt any repair before reading and understanding the “Important safety information” in the *ThinkCentre Safety and Warranty Guide* that came with your computer. To obtain a copy of the *ThinkCentre Safety and Warranty Guide*, go to:<http://www.lenovo.com/support>

This section provides instructions on how to replace the system fan assembly.

To replace the system fan assembly, do the following:

1. Remove the computer cover. See “Removing the computer cover” on page 68.
2. Disconnect the system fan assembly cable from the system fan connector on the system board. See “Locating parts on the system board” on page 67.
3. You might have to remove the hard disk drive to gain access to the system fan assembly. See “Replacing the hard disk drive” on page 73.
4. Break or cut the rubber mounts that secure the system fan assembly to the chassis. Then, remove the system fan assembly out of the computer.

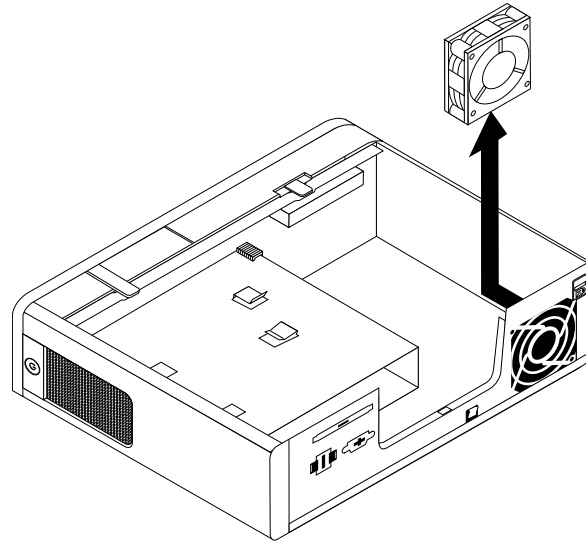


Figure 19. Removing the system fan assembly

5. Install the two new short rubber mounts to the new system fan assembly.

**Note:** The new system fan assembly comes together with four new rubber mounts: two short rubber mounts and two long rubber mounts.

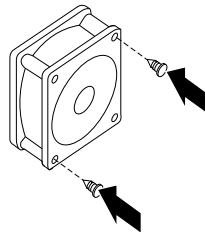


Figure 20. Installing the short rubber mounts

6. Install the two new long rubber mounts by pushing them through the holes on the rear of the chassis. If necessary, pull the rubber mounts through the holes from the inside of the chassis to make sure that the rubber mounts are installed in place.
7. To install the new system fan assembly into the chassis, align the holes on the new system fan assembly with the long rubber mounts in the chassis. Then, push or pull the rubber mounts through the holes until the new system fan assembly is secured in place.

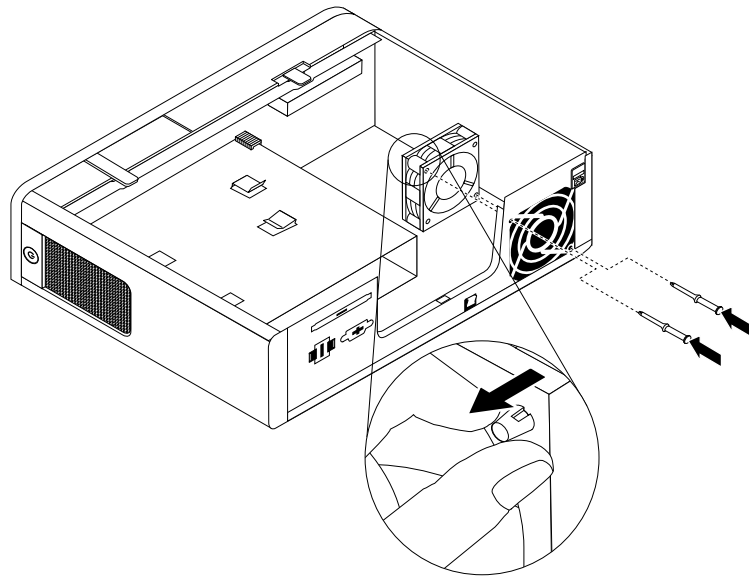


Figure 21. Installing the system fan assembly

8. Connect the cable of the new system fan assembly to the system fan connector on the system board.
9. Reinstall the hard disk drive if you have removed it.

**What to do next:**

- To work with another piece of hardware, go to the appropriate section.
- To complete the replacement, go to “Completing the parts replacement” on page 84.

---

## Replacing the microprocessor

**Attention**

Do not open your computer or attempt any repair before reading and understanding the “Important safety information” in the *ThinkCentre Safety and Warranty Guide* that came with your computer. To obtain a copy of the *ThinkCentre Safety and Warranty Guide*, go to: <http://www.lenovo.com/support>

This section provides instructions on how to replace the microprocessor.

**CAUTION:**



**The heat sink and microprocessor might be very hot. Turn off the computer and wait three to five minutes to let the computer cool before removing the computer cover.**

To replace the microprocessor, do the following:

1. Remove the computer cover. See “Removing the computer cover” on page 68.
2. Remove any parts and disconnect any cables that might prevent your access to the system board.
3. Locate the heat sink and remove it from the system board. See “Locating components” on page 66 and “Replacing the heat sink” on page 76.
4. Place the heat sink on its side so that the thermal grease on the bottom of the heat sink does not get in contact with anything.
5. Lift the small handle **1** and open the retainer **3** to access the microprocessor **2**.

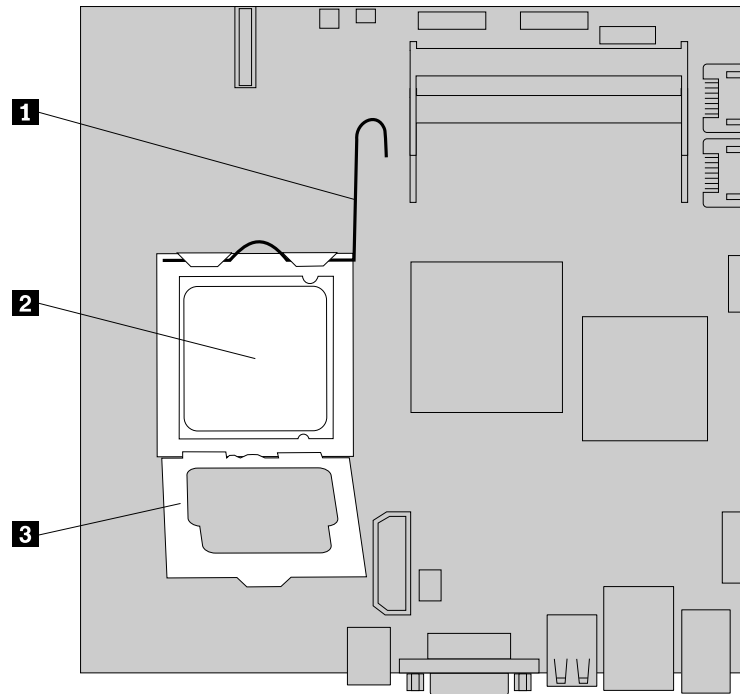
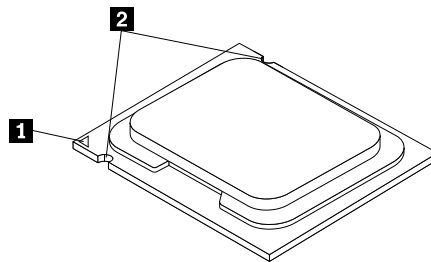


Figure 22. Accessing the microprocessor

6. Lift the microprocessor straight up and out of the microprocessor socket.

**Notes:**

- a. Your microprocessor and socket might look different from the one illustrated.
- b. Note the orientation of the microprocessor in the socket. You can either look for the small triangle **1** on one corner of the microprocessor or note the orientation of the notches **2** on the microprocessor. This is important when installing the new microprocessor on the system board.



- c. Touch only the sides of the microprocessor. Do not touch the gold contacts on the bottom.
- d. Do not drop anything onto the microprocessor socket while it is exposed. The socket pins must be kept as clean as possible.

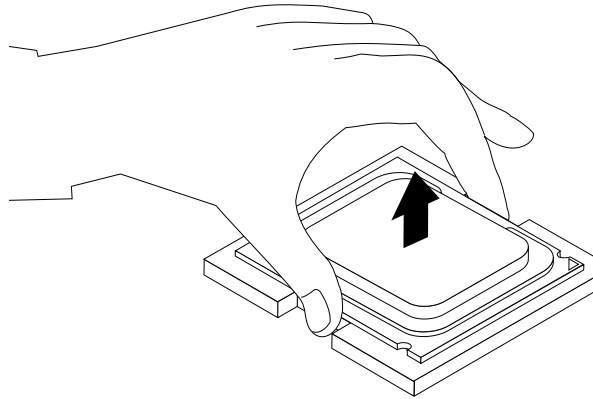
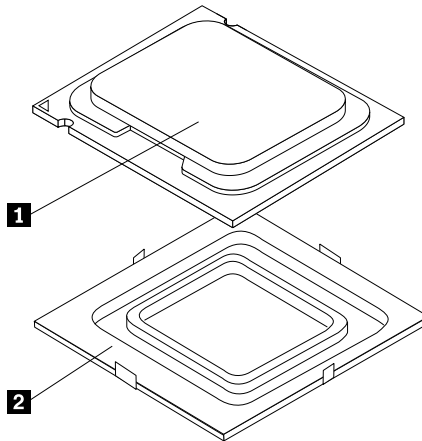


Figure 23. Removing the microprocessor

7. Make sure that the small handle is in the raised position and the microprocessor retainer is open.
8. Remove the protective cover **2** that protects the gold contacts of the new microprocessor **1**.



9. Hold the new microprocessor and align the notches on it with the tabs in the microprocessor socket, or align the small triangle on one corner of the new microprocessor with the corresponding beveled corner of the microprocessor socket.
10. Lower the new microprocessor straight down into the microprocessor socket on the system board.
11. Close the microprocessor retainer and lock it into position with the small handle to secure the new microprocessor in the socket.
12. Reinstall the heat sink on the system board. See “Replacing the heat sink” on page 76.
13. Reinstall any other parts and reconnect any other cables you removed.

**What to do next:**

- To work with another piece of hardware, go to the appropriate section.
- To complete the replacement, go to “Completing the parts replacement” on page 84.

---

## Replacing the system board

### Attention

Do not open your computer or attempt any repair before reading and understanding the “Important safety information” in the *ThinkCentre Safety and Warranty Guide* that came with your computer. To obtain a copy of the *ThinkCentre Safety and Warranty Guide*, go to: <http://www.lenovo.com/support>

This section provides instructions on how to replace the system board.

### CAUTION:



**The heat sink and microprocessor might be very hot. Turn off the computer and wait three to five minutes to let the computer cool before removing the computer cover.**

To replace the system board, do the following:

1. Remove the computer cover. See “Removing the computer cover” on page 68.
2. Take notes of the locations of all parts and all cable connectors on the system board. See “Locating components” on page 66 and “Locating parts on the system board” on page 67. Then, disconnect all the cables.
3. Remove the memory modules from the old system board. See “Installing or replacing a memory module” on page 70.
4. Remove the battery from the old system board. See “Replacing the battery” on page 72.
5. Remove the heat sink from the old system board. See “Replacing the heat sink” on page 76.
6. Remove the microprocessor from the old system board. See “Replacing the microprocessor” on page 79.
7. Remove the screws that secure the old system board. Then, carefully remove the old system board out of the chassis.
8. Place the old system board on a clean and flat surface.
9. Position the new system board so that the screw holes are aligned with the mounting studs on the computer cover.
10. Install the screws to secure the new system board in place.
11. Install the memory modules, battery, microprocessor, and heat sink that you removed from the old system board to the new system board.
12. Connect all the cables to the new system board. See “Locating parts on the system board” on page 67.

### What to do next:

- To work with another piece of hardware, go to the appropriate section.
- To complete the replacement, go to “Completing the parts replacement” on page 84.

The failing system board must be returned with a microprocessor socket cover to protect the pins during shipping and handling.

To install the microprocessor socket cover, do the following:

1. Remove the microprocessor from the microprocessor socket. See “Replacing the microprocessor” on page 79.
2. Close the microprocessor retainer and lock it into position with the small handle.



3. Insert the tabs **1** of the socket cover into the hinged side of the socket, and then press the other side of the socket cover downward until the tabs **2** snap into position.

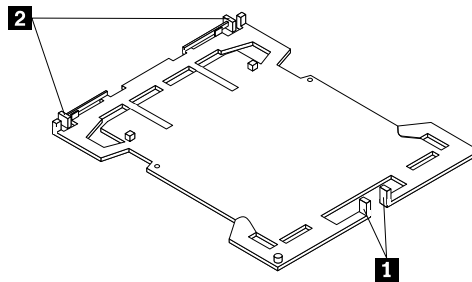


Figure 24. Tabs on the microprocessor socket cover (bottom view)

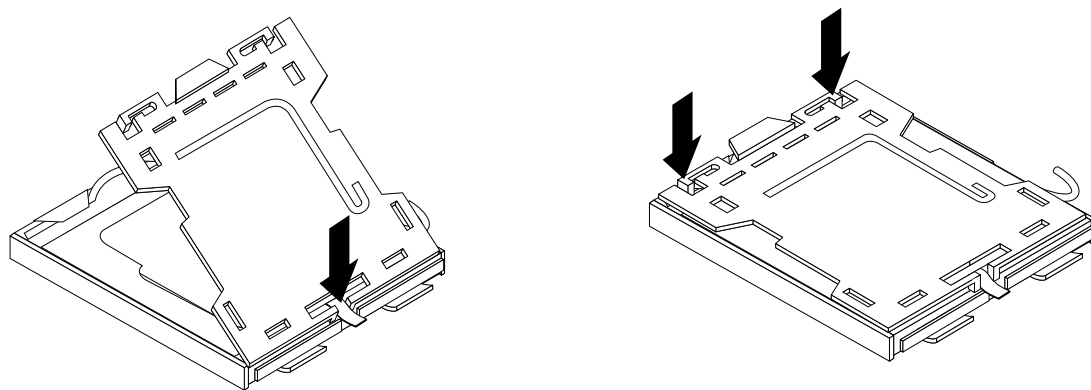


Figure 25. Installing the microprocessor socket cover

---

## Replacing the ac power adapter

### Attention

Do not open your computer or attempt any repair before reading and understanding the “Important safety information” in the *ThinkCentre Safety and Warranty Guide* that came with your computer. To obtain a copy of the *ThinkCentre Safety and Warranty Guide*, go to: <http://www.lenovo.com/support>

This section provides instructions on how to replace the ac power adapter.

To replace the ac power adapter, do the following:

1. Remove any media from the drives. Then, turn off all attached devices and the computer.
2. Disconnect the ac power adapter cord from the electrical outlet.
3. Locate the ac power adapter connector on the rear of the computer. See “Locating connectors on the rear of your computer” on page 65.
4. Disconnect the ac power adapter cable from the ac power adapter connector.
5. Connect the cable of the new ac power adapter to the ac power adapter connector on the rear of the computer and to the electrical outlet.

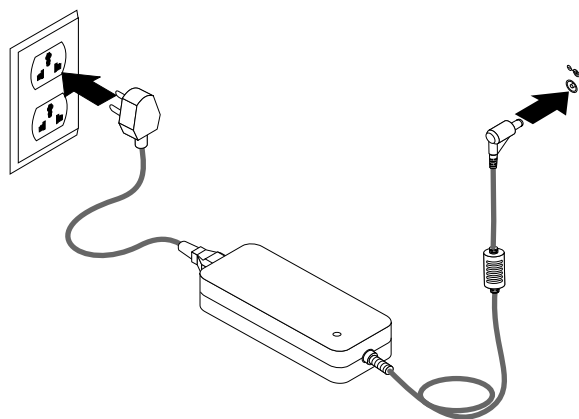


Figure 26. Connecting the ac power adapter

**What to do next:**

- To work with another piece of hardware, go to the appropriate section.
- To complete the replacement, go to “Completing the parts replacement” on page 84.

---

## Completing the parts replacement

This section provides instructions on how to complete the parts replacement.

After completing the installation or replacement for all parts, you need to reinstall the computer cover and reconnect cables. Depending on the parts you installed or replaced, you might need to confirm the updated information in the Setup Utility program. Refer to Chapter 6 “Using the Setup Utility” on page 41.

To reinstall the computer cover and reconnect cables to your computer, do the following:

1. Make sure that all components have been reassembled correctly and that no tools or loose screws are left inside your computer. See “Locating components” on page 66 for the locations of the various components in your computer.
2. If you have removed the front bezel, reinstall it. See “Removing and reinstalling the front bezel” on page 69.
3. Make sure that the cables are routed correctly before closing the computer cover. Keep cables clear of the hinges and sides of the computer chassis to avoid interference with reinstalling the computer cover.

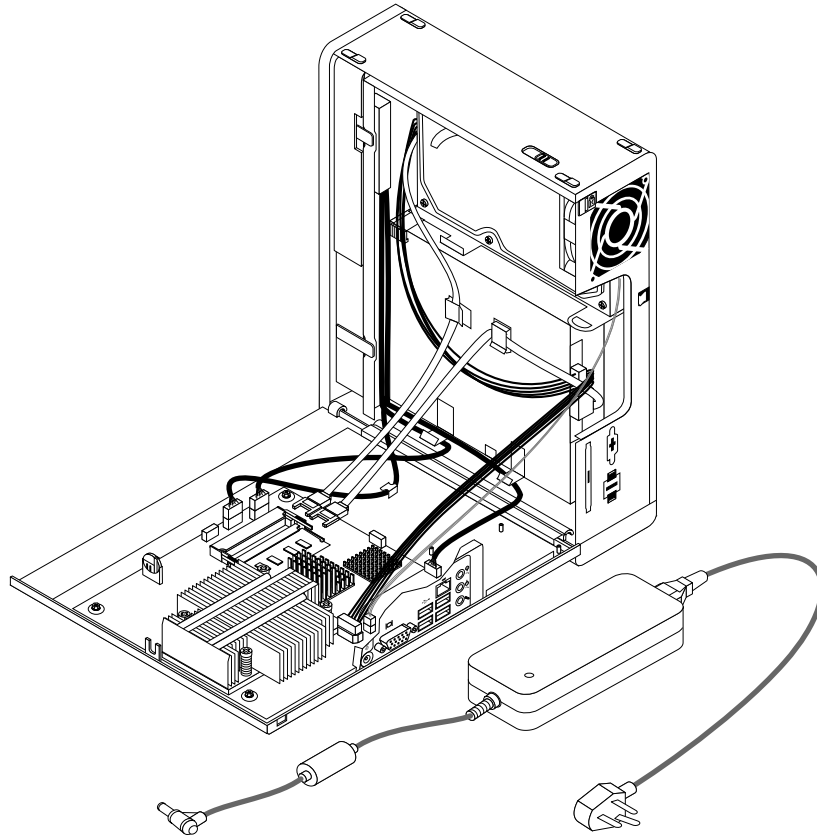


Figure 27. Routing the cables

4. Position the computer cover on the chassis so that the rail guide on the computer cover engages the rail on the chassis. Then, pivot the computer cover closed until it snaps into position.

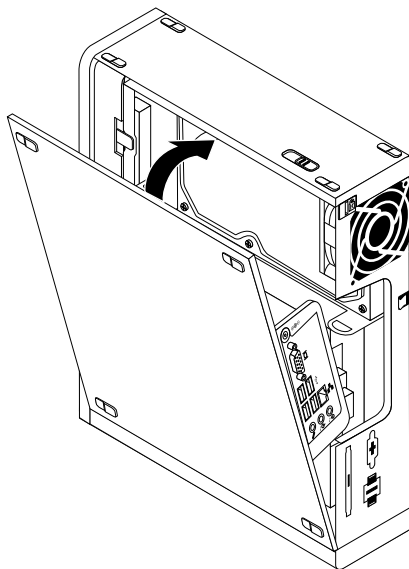


Figure 28. Installing the computer cover

5. If there is a computer cable lock available, lock the computer.
6. Reconnect the external cables and power cords to the computer.
7. To update your configuration, refer to Chapter 6 “Using the Setup Utility” on page 41.

**Note:** In most areas of the world, Lenovo requires the return of the defective CRUs. Information about this will come with the CRUs or will come a few days after you received the CRUs.

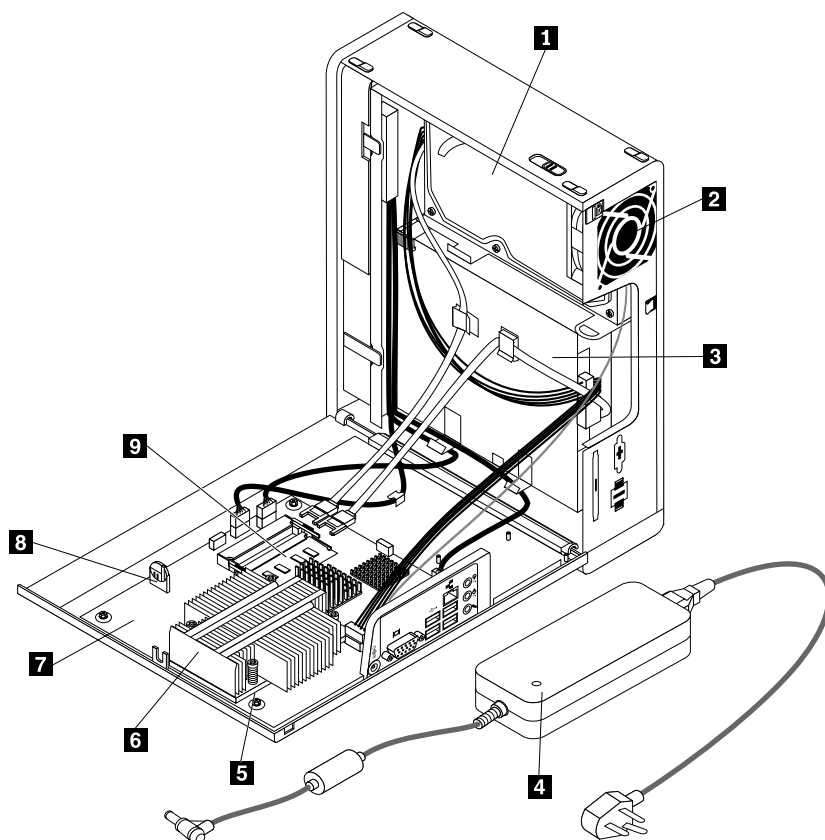
## Chapter 9. FRU lists

This chapter lists the FRU information.

**Attention:** Be sure to read and understand the Chapter 2 “Safety information” on page 3 and Appendix A “Notices” on page 101 before replacing any FRUs.

**Note:** In the following tables, a CRU is identified as "1", "2", or "N" in the **CRU** column. "N" means that the part is not a CRU, "1" means that the part is a Self-service CRU, and "2" means that the part is an Optional-service CRU.

### Machine Type 3425



Item #	3425 FRUs	FRU #	CRU
1	Hard disk drive, SATA 160GB 7200RPM / 3Gb / 8M (models A1J A2J A5J A6J A9J B1J)	40Y9035	1
1	Hard disk drive, SATA 160GB 7200RPM / 3Gb / 8M (models A1J A2J A5J A6J A9J B1J)	53Y6837	1
1	Hard disk drive, SATA 250GB 7200RPM / 3Gb / 8M (models A3J A4J A7J A8J)	40Y9036	1
1	Hard disk drive, SATA 250GB 7200RPM / 3Gb / 8M (models A3J A4J A7J A8J)	45K0408	1
1	Hard disk drive, SATA 320GB 7200RPM / 3Gb / 8M (models)	87H4891	1
1	Hard disk drive, SATA 320GB 7200RPM / 3Gb / 8M (models)	45K0409	1
1	Hard disk drive, SATA 500GB 7200RPM / 3Gb / 16M (models)	41X5582	1

Item #	3425 FRUs	FRU #	CRU
1	Hard disk drive, SATA 500GB 7200RPM / 3Gb / 16M (models)	45K0410	1
3	Optical drive, DVD-ROM Drive - 16x/48x - SATA (models A1J A3J A5J A8J B1J)	41N3325	1
3	Optical drive, DVD-ROM Drive - 16x/48x - SATA (models A1J A3J A5J A8J B1J)	71Y5543	1
3	Optical drive, DVD Recordable Rambo 8 - SATA 12XRAM Write (models A2J A4J A6J A7J A9J)	43C1042	1
3	Optical drive, DVD Recordable Rambo 8 - SATA 12XRAM Write (models A2J A4J A6J A7J A9J)	71Y5545	1
4	Power supply, 120W ac/dc power adapter (models A1J A2J A3J A4J A5J A6J A7J A8J A9J B1J)	41A9747	1
5	Microprocessor, NTEL CDC E1400 2/512/775/45W M0 CPU 2.00GHz, 800MHz, 512K, 775 QCJE M-0 stepping 45W (models)	71Y6133	N
5	Microprocessor, Intel PDC E5200 2.5/800/2/775 45R0CPU 2.50GHz, R-0 Stepping, 65nm, 800MHz FSB, 2MB L2, 45W (models)	71Y6132	N
5	Microprocessor, Intel 450 Processor 2.2/800/512/775 A1 2.20GHz, A-1 Stepping, 65nm, 800MHz FSB, 512KB L2, 35W (models A1J A2J A5J A6J A9J B1J)	46R9514	N
5	Microprocessor, Intel E5400 2.70GHz, 800MHz FSB, 2M L2 R-0 stepping, 45W (models)	71Y6419	N
5	Microprocessor, Intel PDC E6300 45W 2.80GHz, R-0 Stepping, 45nm, 1066MHz FSB, 2MB L2 (models)	71Y6128	N
5	Microprocessor, Wolfdale Core2 Duo E7400 45W 2.80GHz, R-0 stepping, 1066MHz FSB, 3MB L2 (models A3J A4J A7J A8J)	71Y6421	N
5	Microprocessor, Wolfdale Core2 Duo E7600 45W 3.06GHz, 1066MHz FSB, R-0 stepping, 3MB L2 (models)	71Y6423	N
5	Microprocessor, Wolfdale Core2 Duo E8400 3.0G/1333/6M/775 QHFE E0 45W 3.00GHz, E-0 Stepping, 45nm, 1333MHz FSB, 6MB L2 (models)	71Y6130	N
5	Microprocessor, Wolfdale Core2 Duo E8500 3.16G/1333/6M/775 QHFG E0 45W 3.16GHz, E-0 Stepping, 45nm, 1333MHz FSB, 6MB L2 (models)	71Y6129	N
7	System board, E G31 G mITX H Planar, G31_ALC662_8111C non-AMT (models A1J A2J A3J A4J A5J A6J A7J A8J A9J B1J)	71Y6072	N
9	Memory module, Hyn_R HY5PS1G831C 1GB PC2-5300 DDRII 667MHz (models A1J A2J A3J A4J A5J A6J A7J A8J A9J B1J)	71Y6091	1
9	Memory module, Hyn_R H5PS1G83EFR-Y5C 2GB PC2-5300 -667MHz - DDR2 SDRAM (models CTO)	71Y8469	1

The FRUs listed in the following tables are not illustrated.

3425 FRUs	FRU #	CRU
Front bezel assembly (all models)	45K6161	1
Top cover assembly (all models)	45K6162	1
Chassis, main (all models)	45K6163	N
Chassis cover (all models)	45K6164	N
Plastic parts package (all models)	45K6165	1
ODD retainer (all models)	45K6166	N
ODD EMI shield (all models)	45K6168	N

<b>3425 FRUs</b>	<b>FRU #</b>	<b>CRU</b>
2H 285 mm SATA cable, angle, No Latch (all models)	41R8510	1
Power cable for ODD&HDD, 595 (all models)	45J9589	1
4.5L PCBA LED cable,310mm_R (all models)	54Y9901	1
Metal chassis assembly (all models)	45K6170	N
System fan assembly (all models)	45K6325	1
Serial port cable (all models)	41R8548	1

<b>3425 Keyboards (Lenovo Preferred Pro USB -- without hub)</b>	<b>FRU #</b>	<b>CRU</b>
Japanese (models A1J A2J A3J A4J A5J A6J A7J A8J A9J B1J)	41A5310	1

<b>3425 mice</b>	<b>FRU #</b>	<b>CRU</b>
Optical wheel mouse (400DPI, USB) (models A1J A2J A3J A4J A5J A6J A7J A8J A9J B1J)	41U3013	1
Optical wheel mouse (400DPI, USB) (models A1J A2J A3J A4J A5J A6J A7J A8J A9J B1J)	41U3030	1

<b>3425 Power Cords (Primary)</b>	<b>FRU #</b>	<b>CRU</b>
Line Cord - Japanese and Japanese English (models A1J A2J A3J A4J A5J A6J A7J A8J A9J B1J)	42T5011	1

<b>3425 Power Cords (Secondary)</b>	<b>FRU #</b>	<b>CRU</b>
Line Cord - Japanese and Japanese English (models A1J A2J A3J A4J A5J A6J A7J A8J A9J B1J)	42T5096	1

<b>3425 Windows XP Pro Recovery CDs</b>	<b>FRU #</b>	<b>CRU</b>
Japanese (models)	71Y7112	1

<b>3425 Vista Home Basic 32 Recovery DVDs</b>	<b>FRU #</b>	<b>CRU</b>
Japanese (models)	71Y7120	1

<b>3425 Vista Business 32 Recovery DVDs</b>	<b>FRU #</b>	<b>CRU</b>
Japanese (models A1J A2J A3J A4J A5J A6J)	71Y7116	1

<b>3425 Vista Ultimate 32/64 Recovery DVDs</b>	<b>FRU #</b>	<b>CRU</b>
Japanese (models)	71Y7121	1

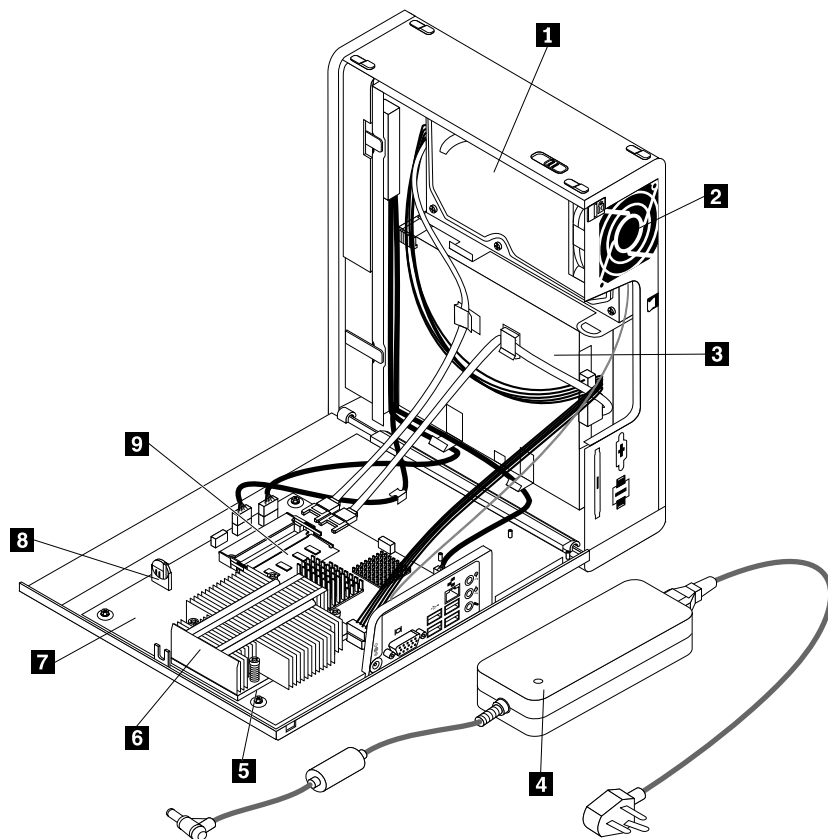
<b>3425 Vista Home Premium 32/64 Recovery DVDs</b>	<b>FRU #</b>	<b>CRU</b>
Japanese (models)	71Y7119	1

<b>3425 Windows 7 Home Premium 32 Recovery DVDs</b>	<b>FRU #</b>	<b>CRU</b>
Japanese (models)	71Y8192	1

<b>3425 Windows 7 Professional 32 Recovery DVDs</b>	<b>FRU #</b>	<b>CRU</b>
Japanese (models A7J A8J A9J B1J)	71Y8189	1

<b>3425 Windows 7 Professional 64 Recovery DVDs</b>	<b>FRU #</b>	<b>CRU</b>
Japanese (models)	71Y8193	1

## Machine Type 3980



Item #	3980 FRUs	FRU #	CRU
1	Hard disk drive, SATA 160GB 7200RPM / 3Gb / 8M (models)	40Y9035	1
1	Hard disk drive, SATA 160GB 7200RPM / 3Gb / 8M (models)	53Y6837	1
1	Hard disk drive, SATA 250GB 7200RPM / 3Gb / 8M (models)	40Y9036	1
1	Hard disk drive, SATA 250GB 7200RPM / 3Gb / 8M (models)	45K0408	1
1	Hard disk drive, SATA 320GB 7200RPM / 3Gb / 8M (models)	87H4891	1
1	Hard disk drive, SATA 320GB 7200RPM / 3Gb / 8M (models)	45K0409	1
1	Hard disk drive, SATA 500GB 7200RPM / 3Gb / 16M (models)	41X5582	1
1	Hard disk drive, SATA 500GB 7200RPM / 3Gb / 16M (models)	45K0410	1
3	Optical drive, DVD-ROM Drive - 16x/48x - SATA (models)	41N3325	1
3	Optical drive, DVD-ROM Drive - 16x/48x - SATA (models)	71Y5543	1
3	Optical drive, DVD Recordable Rambo 8 - SATA 12XRAM Write (models)	43C1042	1
3	Optical drive, DVD Recordable Rambo 8 - SATA 12XRAM Write (models)	71Y5545	1
4	Power supply, 120W ac/dc power adapter (models)	41A9747	1



Item #	3980 FRUs	FRU #	CRU
5	Microprocessor, NTEL CDC E1400 2/512/775/45W M0 CPU 2.00GHz, 800MHz, 512K, 775 QCJE M-0 stepping 45W (models)	71Y6133	N
5	Microprocessor, Intel PDC E5200 2.5/800/2/775 45R0CPU 2.50GHz, R-0 Stepping, 65nm, 800MHz FSB, 2MB L2, 45W (models)	71Y6132	N
5	Microprocessor, Intel 450 Processor 2.2/800/512/775 A1 2.20GHz, A-1 Stepping, 65nm, 800MHz FSB, 512KB L2, 35W (models)	46R9514	N
5	Microprocessor, Intel E5400 2.70GHz, 800MHz FSB, 2M L2 R-0 stepping, 45W (models)	71Y6419	N
5	Microprocessor, Intel PDC E6300 45W 2.80GHz, R-0 Stepping, 45nm, 1066MHz FSB, 2MB L2 (models)	71Y6128	N
5	Microprocessor, Wolfdale Core2 Duo E7400 45W 2.80GHz, R-0 stepping, 1066MHz FSB, 3MB L2 (models)	71Y6421	N
5	Microprocessor, Wolfdale Core2 Duo E7600 45W 3.06GHz, 1066MHz FSB, R-0 stepping, 3MB L2 (models)	71Y6423	N
5	Microprocessor, Wolfdale Core2 Duo E8400 3.0G/1333/6M/775 QHFE E0 45W 3.00GHz, E-0 Stepping, 45nm, 1333MHz FSB, 6MB L2 (models)	71Y6130	N
5	Microprocessor, Wolfdale Core2 Duo E8500 3.16G/1333/6M/775 QHFG E0 45W 3.16GHz, E-0 Stepping, 45nm, 1333MHz FSB, 6MB L2 (models)	71Y6129	N
7	System board, E G31 G mITX H Planar, G31_ALC662_8111C non-AMT (models)	71Y6072	N
9	Memory module, Hyn_R HY5PS1G831C 1GB PC2-5300 DDRII 667MHz (models)	71Y6091	1
9	Memory module, Hyn_R H5PS1G83EFR-Y5C 2GB PC2-5300 -667MHz - DDR2 SDRAM (models CTO)	71Y8469	1

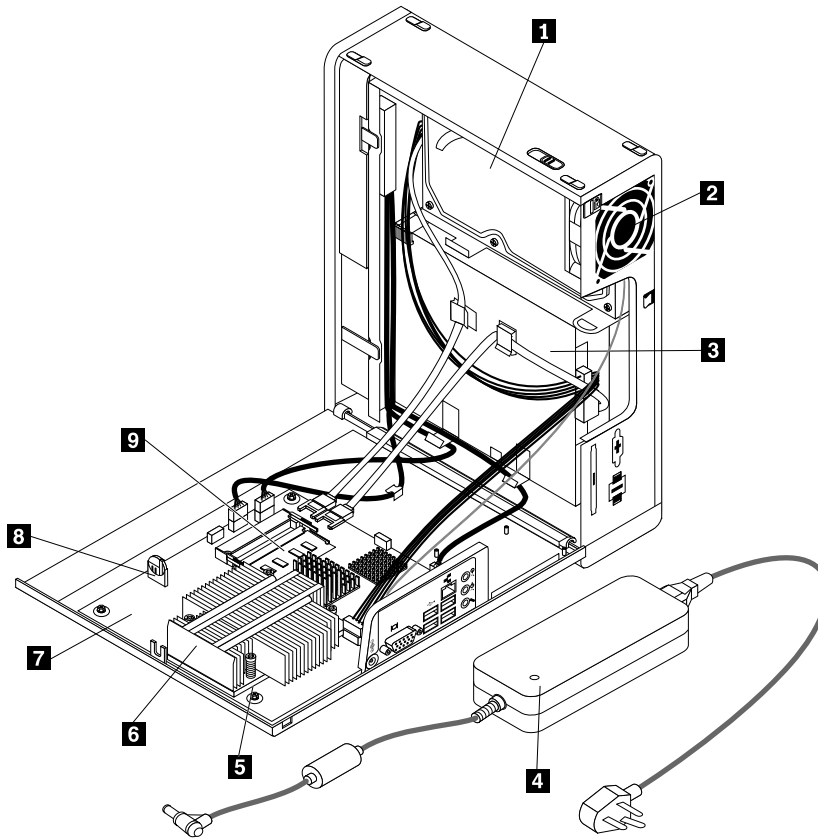
The FRUs listed in the following tables are not illustrated.

3980 FRUs	FRU #	CRU
Front bezel assembly (all models)	45K6161	1
Top cover assembly (all models)	45K6162	1
Chassis, main (all models)	45K6163	N
Chassis cover (all models)	45K6164	N
Plastic parts package (all models)	45K6165	1
ODD retainer (all models)	45K6166	N
ODD EMI shield (all models)	45K6168	N
2H 285 mm SATA cable, angle, No Latch (all models)	41R8510	1
Power cable for ODD&HDD, 595 (all models)	45J9589	1
Metal chassis assembly (all models)	45K6170	N
4.5L PCBA LED cable,310mm_R (all models)	54Y9901	1
Serial port cable (all models)	41R8548	1
System fan assembly (all models)	45K6325	1

3980 Keyboards (Lenovo Preferred Pro USB -- without hub)	FRU #	CRU
Japanese (models)	41A5310	1

<b>3980 mice</b>	<b>FRU #</b>	<b>CRU</b>
Optical wheel mouse (400DPI, USB) (models)	41U3013	1
Optical wheel mouse (400DPI, USB) (models)	41U3030	1
<b>3980 Power Cords (Primary)</b>	<b>FRU #</b>	<b>CRU</b>
Line Cord - Japanese and Japanese English (models)	42T5011	1
<b>3980 Power Cords (Secondary)</b>	<b>FRU #</b>	<b>CRU</b>
Line Cord - Japanese and Japanese English (models)	42T5096	1
<b>3980 Windows XP Pro Recovery CDs</b>	<b>FRU #</b>	<b>CRU</b>
Japanese (models)	71Y7112	1
<b>3980 Vista Home Basic 32 Recovery DVDs</b>	<b>FRU #</b>	<b>CRU</b>
Japanese (models)	71Y7120	1
<b>3980 Vista Business 32 Recovery DVDs</b>	<b>FRU #</b>	<b>CRU</b>
Japanese (models)	71Y7116	1
<b>3980 Vista Ultimate 32/64 Recovery DVDs</b>	<b>FRU #</b>	<b>CRU</b>
Japanese (models)	71Y7121	1
<b>3980 Vista Home Premium 32/64 Recovery DVDs</b>	<b>FRU #</b>	<b>CRU</b>
Japanese (models)	71Y7119	1
<b>3980 Windows 7 Home Premium 32 Recovery DVDs</b>	<b>FRU #</b>	<b>CRU</b>
Japanese (models)	71Y8192	1
<b>3980 Windows 7 Professional 32 Recovery DVDs</b>	<b>FRU #</b>	<b>CRU</b>
Japanese (models)	71Y8189	1
<b>3980 Windows 7 Professional 64 Recovery DVDs</b>	<b>FRU #</b>	<b>CRU</b>
Japanese (models)	71Y8193	1

## Machine Type 5214



Item #	5214 FRUs	FRU #	CRU
1	Hard disk drive, SATA 160GB 7200RPM / 3Gb / 8M (models A1J A2J B3J B4J)	40Y9035	1
1	Hard disk drive, SATA 160GB 7200RPM / 3Gb / 8M (models A1J A2J B3J B4J)	53Y6837	1
1	Hard disk drive, SATA 250GB 7200RPM / 3Gb / 8M (models A3J A4J A5J A6J B1J B2J)	40Y9036	1
1	Hard disk drive, SATA 250GB 7200RPM / 3Gb / 8M (models A3J A4J A5J A6J B1J B2J)	45K0408	1
1	Hard disk drive, SATA 320GB 7200RPM / 3Gb / 8M (models)	87H4891	1
1	Hard disk drive, SATA 320GB 7200RPM / 3Gb / 8M (models)	45K0409	1
1	Hard disk drive, SATA 500GB 7200RPM / 3Gb / 16M (models)	41X5582	1
1	Hard disk drive, SATA 500GB 7200RPM / 3Gb / 16M (models)	45K0410	1
3	Optical drive, DVD-ROM Drive - 16x/48x - SATA (models A1J A3J A5J B1J B3J)	41N3325	1
3	Optical drive, DVD-ROM Drive - 16x/48x - SATA (models A1J A3J A5J B1J B3J)	71Y5543	1
3	Optical drive, DVD Recordable Rambo 8 - SATA 12XRAM Write (models A2J A4J A6J B2J B4J)	43C1042	1
3	Optical drive, DVD Recordable Rambo 8 - SATA 12XRAM Write (models A2J A4J A6J B2J B4J)	71Y5545	1
4	Power supply, 120W ac/dc power adapter (models A1J A2J A3J A4J A5J A6J B1J B2J B3J B4J)	41A9747	1
5	Microprocessor, NTEL CDC E1400 2/512/775/45W M0 CPU 2.00GHz, 800MHz, 512K, 775 QCJE M-0 stepping 45W (models)	71Y6133	N

Item #	5214 FRUs	FRU #	CRU
5	Microprocessor, Intel PDC E5200 2.5/800/2/775 45R0CPU 2.50GHz, R-0 Stepping, 65nm, 800MHz FSB, 2MB L2, 45W (models A3J A4J)	71Y6132	N
5	Microprocessor, Intel 450 Processor 2.2/800/512/775 A1 2.20GHz, A-1 Stepping, 65nm, 800MHz FSB, 512KB L2, 35W (models A1J A2J B3J B4J)	46R9514	N
5	Microprocessor, Intel E5400 2.70GHz, 800MHz FSB, 2M L2 R-0 stepping, 45W (models)	71Y6419	N
5	Microprocessor, Intel PDC E6300 45W 2.80GHz, R-0 Stepping, 45nm, 1066MHz FSB, 2MB L2 (models)	71Y6128	N
5	Microprocessor, Wolfdale Core2 Duo E7400 45W 2.80GHz, R-0 stepping, 1066MHz FSB, 3MB L2 (models A5J A6J)	71Y6421	N
5	Microprocessor, Wolfdale Core2 Duo E7600 45W 3.06GHz, 1066MHz FSB, R-0 stepping, 3MB L2 (models B1J B2J)	71Y6423	N
5	Microprocessor, Wolfdale Core2 Duo E8400 3.0G/1333/6M/775 QHFG E0 45W 3.00GHz, E-0 Stepping, 45nm, 1333MHz FSB, 6MB L2 (models)	71Y6130	N
5	Microprocessor, Wolfdale Core2 Duo E8500 3.16G/1333/6M/775 QHFG E0 45W 3.16GHz, E-0 Stepping, 45nm, 1333MHz FSB, 6MB L2 (models)	71Y6129	N
7	System board, E G31 G mITX H Planar, G31_ALC662_8111C non-AMT (models A1J A2J A3J A4J A5J A6J B1J B2J B3J B4J)	71Y6072	N
9	Memory module, Hyn_R H5PS1G83EFR-Y5C 2GB PC2-5300 -667MHz - DDR2 SDRAM (models CTO B1J B2J B3J B4J)	71Y8469	1
9	Memory module, Hyn_R HY5PS1G831C 1GB PC2-5300 DDRII 667MHz (models A1J A2J A3J A4J A5J A6J)	71Y6091	1

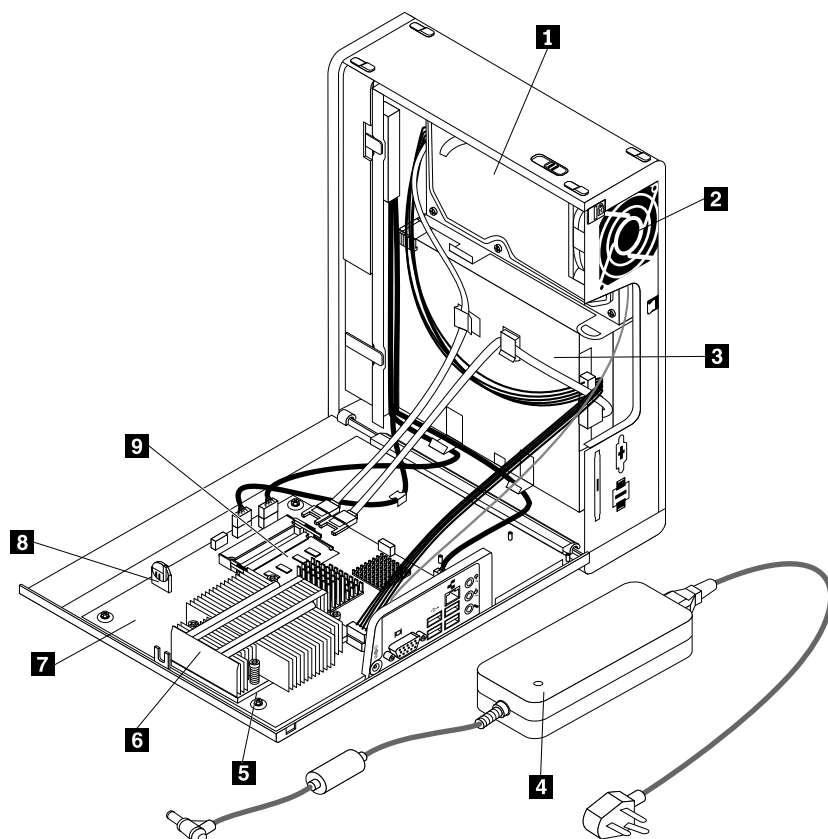
The FRUs listed in the following tables are not illustrated.

5214 FRUs	FRU #	CRU
Front bezel assembly (all models)	45K6161	1
Top cover assembly (all models)	45K6162	1
Chassis, main (all models)	45K6163	N
Chassis cover (all models)	45K6164	N
Plastic parts package (all models)	45K6165	1
ODD retainer (all models)	45K6166	N
ODD EMI shield (all models)	45K6168	N
2H 285 mm SATA cable, angle, No Latch (all models)	41R8510	1
Power cable for ODD&HDD, 595 (all models)	45J9589	1
4.5L PCBA LED cable,310mm_R (all models)	54Y9901	1
System fan assembly (all models)	45K6325	1
Metal chassis assembly (all models)	45K6170	N
Serial port cable (all models)	41R8548	1

5214 Keyboards (Lenovo Preferred Pro USB -- without hub)	FRU #	CRU
Japanese (models A1J A2J A3J A4J A5J A6J B1J B2J B3J B4J)	41A5310	1

<b>5214 mice</b>	<b>FRU #</b>	<b>CRU</b>
Optical Wheel Mouse (400DPI, USB) (models A1J A2J A3J A4J A5J A6J B1J B2J B3J B4J)	41U3013	1
Optical Wheel Mouse (400DPI, USB) (models A1J A2J A3J A4J A5J A6J B1J B2J B3J B4J)	41U3030	1
<b>5214 Power Cords (Primary)</b>	<b>FRU #</b>	<b>CRU</b>
Line Cord - Japanese and Japanese English (models A1J A2J A3J A4J A5J A6J B1J B2J B3J B4J)	42T5011	1
<b>5214 Power Cords (Secondary)</b>	<b>FRU #</b>	<b>CRU</b>
Line Cord - Japanese and Japanese English (models A1J A2J A3J A4J A5J A6J B1J B2J B3J B4J)	42T5096	1
<b>5214 Windows XP Pro Recovery CDs</b>	<b>FRU #</b>	<b>CRU</b>
Japanese (models)	71Y7112	1
<b>5214 Vista Home Basic 32 Recovery DVDs</b>	<b>FRU #</b>	<b>CRU</b>
Japanese (models)	71Y7120	1
<b>5214 Vista Business 32 Recovery DVDs</b>	<b>FRU #</b>	<b>CRU</b>
Japanese (models A1J A2J A3J A4J A5J A6J)	71Y7116	1
<b>5214 Vista Ultimate 32/64 Recovery DVDs</b>	<b>FRU #</b>	<b>CRU</b>
Japanese (models)	71Y7121	1
<b>5214 Vista Home Premium 32/64 Recovery DVDs</b>	<b>FRU #</b>	<b>CRU</b>
Japanese (models)	71Y7119	1
<b>5214 Windows 7 Home Premium 32 Recovery DVDs</b>	<b>FRU #</b>	<b>CRU</b>
Japanese (models)	71Y8192	1
<b>5214 Windows 7 Professional 32 Recovery DVDs</b>	<b>FRU #</b>	<b>CRU</b>
Japanese (models B1J B2J B3J B4J)	71Y8189	1
<b>5214 Windows 7 Professional 64 Recovery DVDs</b>	<b>FRU #</b>	<b>CRU</b>
Japanese (models)	71Y8193	1

## Machine Type 5354



Item #	5354 FRUs	FRU #	CRU
1	Hard disk drive, SATA 160GB 7200RPM / 3Gb / 8M (models A1J A2J)	40Y9035	1
1	Hard disk drive, SATA 160GB 7200RPM / 3Gb / 8M (models A1J A2J)	53Y6837	1
1	Hard disk drive, SATA 250GB 7200RPM / 3Gb / 8M (models A3J A4J A5J A6J)	40Y9036	1
1	Hard disk drive, SATA 250GB 7200RPM / 3Gb / 8M (models A3J A4J A5J A6J)	45K0408	1
1	Hard disk drive, SATA 320GB 7200RPM / 3Gb / 8M (models)	87H4891	1
1	Hard disk drive, SATA 320GB 7200RPM / 3Gb / 8M (models)	45K0409	1
1	Hard disk drive, SATA 500GB 7200RPM / 3Gb / 16M (models)	41X5582	1
1	Hard disk drive, SATA 500GB 7200RPM / 3Gb / 16M (models)	45K0410	1
3	Optical drive, DVD-ROM Drive - 16x/48x - SATA (models A1J A3J A5J)	41N3325	1
3	Optical drive, DVD-ROM Drive - 16x/48x - SATA (models A1J A3J A5J)	71Y5543	1
3	Optical drive, DVD Recordable Rambo 8 - SATA 12XRAM Write (models A2J A4J A6J)	43C1042	1
3	Optical drive, DVD Recordable Rambo 8 - SATA 12XRAM Write (models A2J A4J A6J)	71Y5545	1
4	Power supply, 120W ac/dc power adapter (models A1J A2J A3J A4J A5J A6J)	41A9747	1
5	Microprocessor, NTEL CDC E1400 2/512/775/45W M0 CPU 2.00GHz, 800MHz, 512K, 775 QCJE M-0 stepping 45W (models)	71Y6133	N
5	Microprocessor, Intel PDC E5200 2.5/800/2/775 45R0CPU 2.50GHz, R-0 Stepping, 65nm, 800MHz FSB, 2MB L2, 45W (models A3J A4J)	71Y6132	N

Item #	5354 FRUs	FRU #	CRU
5	Microprocessor, Intel 450 Processor 2.2/800/512/775 A1 2.20GHz, A-1 Stepping, 65nm, 800MHz FSB, 512KB L2, 35W (models A1J A2J)	46R9514	N
5	Microprocessor, Intel E5400 2.70GHz, 800MHz FSB, 2M L2 R-0 stepping, 45W (models)	71Y6419	N
5	Microprocessor, Intel PDC E6300 45W 2.80GHz, R-0 Stepping, 45nm, 1066MHz FSB, 2MB L2 (models)	71Y6128	N
5	Microprocessor, Wolfdale Core2 Duo E7400 45W 2.80GHz, R-0 stepping, 1066MHz FSB, 3MB L2 (models A5J A6J)	71Y6421	N
5	Microprocessor, Wolfdale Core2 Duo E7600 45W 3.06GHz, 1066MHz FSB, R-0 stepping, 3MB L2 (models)	71Y6423	N
5	Microprocessor, Wolfdale Core2 Duo E8400 3.0G/1333/6M/775 QHFG E0 45W 3.00GHz, E-0 Stepping, 45nm, 1333MHz FSB, 6MB L2 (models)	71Y6130	N
5	Microprocessor, Wolfdale Core2 Duo E8500 3.16G/1333/6M/775 QHFG E0 45W 3.16GHz, E-0 Stepping, 45nm, 1333MHz FSB, 6MB L2 (models)	71Y6129	N
7	System board, E G31 G mITX H Planar, G31_ALC662_8111C non-AMT (models A1J A2J A3J A4J A5J A6J)	71Y6072	N
9	Memory module, Hyn_R H5PS1G83EFR-Y5C 2GB PC2-5300 -667MHz - DDR2 SDRAM (models CTO)	71Y8469	1
9	Memory module, Hyn_R HY5PS1G831C 1GB PC2-5300 DDRII 667MHz (models A1J A2J A3J A4J A5J A6J)	71Y6091	1

The FRUs listed in the following tables are not illustrated.

5354 FRUs	FRU #	CRU
Front bezel assembly (all models)	45K6161	1
Top cover assembly (all models)	45K6162	1
Chassis, main (all models)	45K6163	N
Chassis cover (all models)	45K6164	N
Plastic parts package (all models)	45K6165	1
ODD retainer (all models)	45K6166	N
ODD EMI shield (all models)	45K6168	N
2H 285 mm SATA cable, angle, no latch (all models)	41R8510	1
Power cable for ODD & HDD, 595 (all models)	45J9589	1
4.5L PCBA LED cable, 310mm_R (all models)	54Y9901	1
System fan assembly (all models)	45K6325	1
Metal chassis assembly (all models)	45K6170	N
Serial port cable (all models)	41R8548	1

5354 Keyboards (Lenovo Preferred Pro USB -- without hub)	FRU #	CRU
Japanese (models A1J A2J A3J A4J A5J A6J)	41A5310	1

<b>5354 mice</b>	<b>FRU #</b>	<b>CRU</b>
Optical wheel mouse (400DPI, USB) (models A1J A2J A3J A4J A5J A6J)	41U3013	1
Optical wheel mouse (400DPI, USB) (models A1J A2J A3J A4J A5J A6J)	41U3030	1
<b>5354 Power Cords (Primary)</b>	<b>FRU #</b>	<b>CRU</b>
Line Cord - Japanese and Japanese English (models A1J A2J A3J A4J A5J A6J)	42T5011	1
<b>5354 Power Cords (Secondary)</b>	<b>FRU #</b>	<b>CRU</b>
Line Cord - Japanese and Japanese English (models A1J A2J A3J A4J A5J A6J)	42T5096	1
<b>5354 Windows XP Pro Recovery CDs</b>	<b>FRU #</b>	<b>CRU</b>
Japanese (models)	71Y7112	1
<b>5354 Vista Home Basic 32 Recovery DVDs</b>	<b>FRU #</b>	<b>CRU</b>
Japanese (models)	71Y7120	1
<b>5354 Vista Business 32 Recovery DVDs</b>	<b>FRU #</b>	<b>CRU</b>
Japanese (models A1J A2J A3J A4J A5J A6J)	71Y7116	1
<b>5354 Vista Ultimate 32/64 Recovery DVDs</b>	<b>FRU #</b>	<b>CRU</b>
Japanese (models)	71Y7121	1
<b>5354 Vista Home Premium 32/64 Recovery DVDs</b>	<b>FRU #</b>	<b>CRU</b>
Japanese (models)	71Y7119	1
<b>5354 Windows 7 Home Premium 32 Recovery DVDs</b>	<b>FRU #</b>	<b>CRU</b>
Japanese (models)	71Y8192	1
<b>5354 Windows 7 Professional 32 Recovery DVDs</b>	<b>FRU #</b>	<b>CRU</b>
Japanese (models)	71Y8189	1
<b>5354 Windows 7 Professional 64 Recovery DVDs</b>	<b>FRU #</b>	<b>CRU</b>
Japanese (models)	71Y8193	1



---

## Chapter 10. Additional service information

This chapter provides additional information that the service representative might find helpful.

---

### Security features

Security features in this section include the following:

- Passwords
- Vital Product Data

### Hardware controlled passwords

Use the Setup Utility program to set the hardware controlled passwords. For more information about passwords, see “Using passwords” on page 41.

### Operating system password

An operating system password is very similar to a power-on password and denies access to the computer by an unauthorized user when the password is activated. The computer is unusable until the correct password is entered and recognized by the computer.

### Vital Product Data

Each computer has a unique Vital Product Data (VPD) code stored in the nonvolatile memory on the system board. After you replace the system board, the VPD must be updated. To update the VPD, see “Updating (flashing) BIOS from a disc” on page 99.

---

### BIOS levels

An incorrect level of BIOS can cause false errors and unnecessary FRU replacement. Use the following information to determine the current level of BIOS installed in the computer, the latest BIOS available for the computer, and where to obtain the latest level of BIOS.

- To determine the current level of BIOS:
  - Start the Setup Utility program. See “Starting the Setup Utility program” on page 41.
  - See **BIOS Revision Level** on the Main setup screen.
- Sources for obtaining the latest level BIOS available
  1. Lenovo support web site: <http://www.lenovo.com/support>
  2. Lenovo Customer Support Center
  3. Levels 1 and 2 Support

To update (flash) the BIOS, see “Updating (flashing) BIOS from a disc” on page 99.

---

### Updating (flashing) BIOS from a disc

This section provides instructions on how to update (flash) BIOS from a disc. System program updates are available at:<http://www.lenovo.com/support>

To update (flash) BIOS from a disc, do the following:

1. Make sure the optical drive you want to use is set as the first boot device in the startup device sequence. See “Selecting or changing the startup device sequence” on page 43.

2. Make sure the computer is turned on and insert the disc into the optical drive. The update begins.

**Note:** You can insert the disc into the optical drive when you are setting the startup device sequence. However, if you insert the disc into the optical drive when you have already entered the operating system, you need to restart the computer to begin the update process.

3. When prompted to change the serial number, press N. If you want to change the serial number, press Y when prompted, type in the serial number and press Enter.
4. When prompted to change the machine type/model, press N. If you want to change the machine type/model, press Y when prompted, type in the machine type/model and press Enter.
5. Follow the instructions on the screen to complete the update.

---

## Recovering from a POST/BIOS update failure

If the power to your computer is interrupted while POST/BIOS is being updated (flash update), your computer might not restart correctly. If this happens, perform the following procedure, which is commonly called Boot-block Recovery.

1. Insert the POST/BIOS update (flash update) disc into the optical drive when the computer is turned on.
2. Turn the computer off.
3. Turn the computer on and, immediately during startup, press Ctrl+Home.
4. The computer will automatically begin recovering the POST/BIOS, and you will see a screen indicating that the recovery has started. After the recovery session completes, the computer restarts automatically.
5. Remove the POST/BIOS update (flash update) disc from the optical drive.

---

## Power management

Power management reduces the power consumption of certain components of the computer such as the system power supply, processor, hard disk drives, and some monitors.

### Automatic configuration and power interface (ACPI) BIOS

Being an ACPI BIOS system, the operating system is allowed to control the power management features of the computer and the setting for Advanced Power Management (APM) BIOS mode is ignored. Not all operating systems support ACPI BIOS mode.

### Automatic Power-On features

The Automatic Power-On features within the Power Management menu allow you to enable and disable features that turn on the computer automatically.

- **RTC resume:** You can specify a date and time at which the computer will be turned on automatically. This can be either a single event or a daily event.
- **Wake on LAN:** If the computer has a properly configured token-ring or Ethernet LAN adapter card that is Wake on LAN-enabled and there is remote network management software, you can use the Wake on LAN feature. When you set Wake on LAN to **Enabled**, the computer will turn on when it receives a specific signal from another computer on the local area network (LAN).

---

## Appendix A. Notices

Lenovo may not offer the products, services, or features discussed in this document in all countries. Consult your local Lenovo representative for information on the products and services currently available in your area. Any reference to a Lenovo product, program, or service is not intended to state or imply that only that Lenovo product, program, or service may be used. Any functionally equivalent product, program, or service that does not infringe any Lenovo intellectual property right may be used instead. However, it is the user's responsibility to evaluate and verify the operation of any other product, program, or service.

Lenovo may have patents or pending patent applications covering subject matter described in this document. The furnishing of this document does not give you any license to these patents. You can send license inquiries, in writing, to:

*Lenovo (United States), Inc.  
1009 Think Place - Building One  
Morrisville, NC 27560  
U.S.A.  
Attention: Lenovo Director of Licensing*

LENOVO PROVIDES THIS PUBLICATION "AS IS" WITHOUT WARRANTY OF ANY KIND, EITHER EXPRESS OR IMPLIED, INCLUDING, BUT NOT LIMITED TO, THE IMPLIED WARRANTIES OF NON-INFRINGEMENT, MERCHANTABILITY OR FITNESS FOR A PARTICULAR PURPOSE. Some jurisdictions do not allow disclaimer of express or implied warranties in certain transactions, therefore, this statement may not apply to you.

This information could include technical inaccuracies or typographical errors. Changes are periodically made to the information herein; these changes will be incorporated in new editions of the publication. Lenovo may make improvements and/or changes in the product(s) and/or the program(s) described in this publication at any time without notice.

The products described in this document are not intended for use in implantation or other life support applications where malfunction may result in injury or death to persons. The information contained in this document does not affect or change Lenovo product specifications or warranties. Nothing in this document shall operate as an express or implied license or indemnity under the intellectual property rights of Lenovo or third parties. All information contained in this document was obtained in specific environments and is presented as an illustration. The result obtained in other operating environments may vary.

Lenovo may use or distribute any of the information you supply in any way it believes appropriate without incurring any obligation to you.

Any references in this publication to non-Lenovo Web sites are provided for convenience only and do not in any manner serve as an endorsement of those Web sites. The materials at those Web sites are not part of the materials for this Lenovo product, and use of those Web sites is at your own risk.

Any performance data contained herein was determined in a controlled environment. Therefore, the result obtained in other operating environments may vary significantly. Some measurements may have been made on development-level systems and there is no guarantee that these measurements will be the same on generally available systems. Furthermore, some measurements may have been estimated through extrapolation. Actual results may vary. Users of this document should verify the applicable data for their specific environment.

---

## Television output notice

The following notice applies to models that have the factory-installed television-output feature.

This product incorporates copyright protection technology that is protected by method claims of certain U.S. patents and other intellectual property rights owned by Macrovision Corporation and other rights owners. Use of this copyright protection technology must be authorized by Macrovision Corporation, and is intended for home and other limited viewing uses only unless otherwise authorized by Macrovision Corporation. Reverse engineering or disassembly is prohibited.

---

## Trademarks

The following terms are trademarks of Lenovo in the United States, other countries, or both:

- Lenovo
- Rescue and Recovery
- The Lenovo logo
- ThinkCentre
- ThinkVantage

Celeron, Intel, and Intel Core are trademarks of Intel Corporation in the United States, other countries, or both.

Microsoft, Windows, and Windows Vista are trademarks of the Microsoft group of companies.

Other company, product, or service names may be trademarks or service marks of others.



**lenovo**®

Part Number: 71Y6308

Printed in USA

(1P) P/N: 71Y6308



## Free Manuals Download Website

<http://myh66.com>

<http://usermanuals.us>

<http://www.somanuals.com>

<http://www.4manuals.cc>

<http://www.manual-lib.com>

<http://www.404manual.com>

<http://www.luxmanual.com>

<http://aubethermostatmanual.com>

Golf course search by state

<http://golfingnear.com>

Email search by domain

<http://emailbydomain.com>

Auto manuals search

<http://auto.somanuals.com>

TV manuals search

<http://tv.somanuals.com>