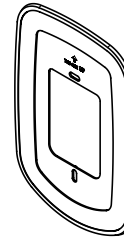


Operator: Save these instructions for future use!

FAILURE TO READ AND FOLLOW ALL INSTRUCTIONS CAREFULLY BEFORE INSTALLING OR OPERATING THIS CONTROL COULD CAUSE PERSONAL INJURY AND/OR PROPERTY DAMAGE.

DESCRIPTION

This wall plate assembly is designed for mounting a 70 Series vertical thermostat to the wall or to a junction box. The wall cover plate covers the junction box, wall damage, or old thermostat markings.



PRECAUTIONS

CAUTION

To prevent electrical shock and/or equipment damage, disconnect electrical power at main fuse or circuit breaker until installation is complete.

NOTE

This instruction sheet is not intended as a wiring guide. Refer to the thermostat installation instructions to ensure proper wiring.

INSTALLATION

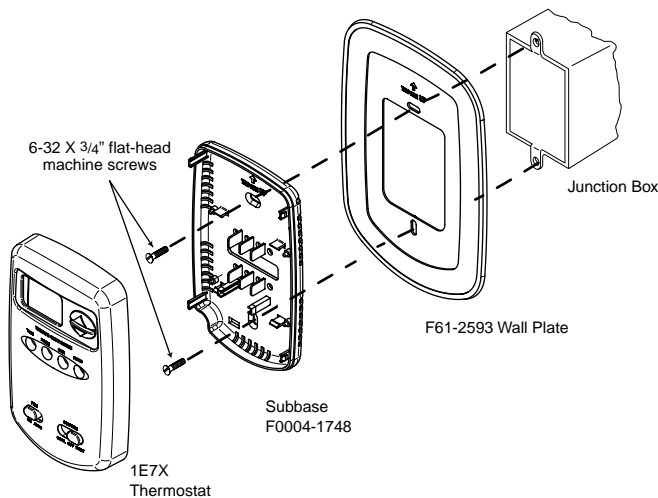


Figure 1. Mounting 1F7X vertical digital thermostat to vertical junction box.

NOTE

When installing wall cover plate and thermostat directly to wall, use the pointed screws supplied with the thermostat.

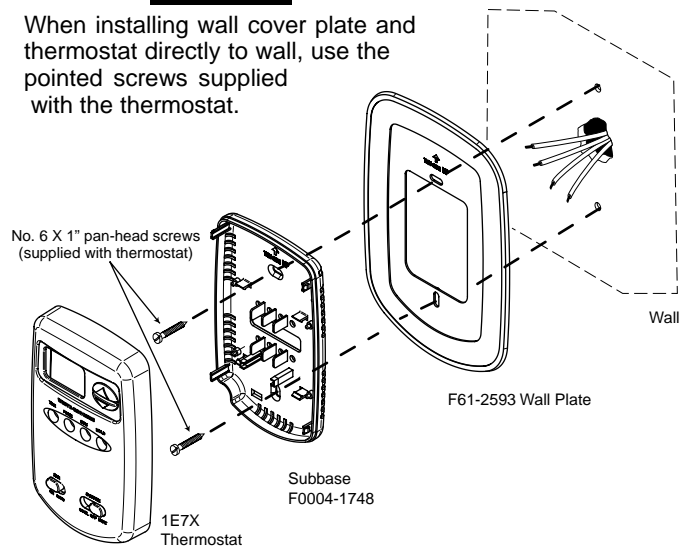


Figure 2. Mounting 1E7X vertical digital thermostat to wall.

Free Manuals Download Website

<http://myh66.com>

<http://usermanuals.us>

<http://www.somanuals.com>

<http://www.4manuals.cc>

<http://www.manual-lib.com>

<http://www.404manual.com>

<http://www.luxmanual.com>

<http://aubethermostatmanual.com>

Golf course search by state

<http://golfingnear.com>

Email search by domain

<http://emailbydomain.com>

Auto manuals search

<http://auto.somanuals.com>

TV manuals search

<http://tv.somanuals.com>