

# TECHNICAL Practice

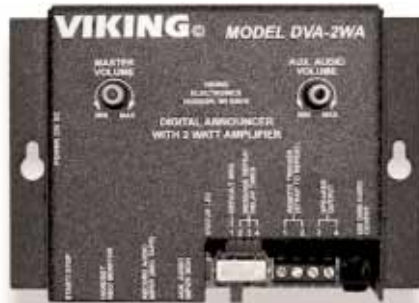
**TELECOM SOLUTIONS FOR THE 21ST CENTURY**

**DVA-2WA**

*Digital Voice  
Announcer with  
Built-In Amplifier*

July 12, 2001

## Promote Your Business While Customers Hold and more...



The **DVA-2WA** is a digital announcer with a built in 2 watt amplifier. Designed to provide music and promotion on hold, the **DVA-2WA** can playback in a continuous loop or alternate between promotions and an auxiliary music source in timed intervals. Any number of multiple messages may be recorded.

The announcer comes with four professionally pre-recorded promotion on hold messages, a power supply and cabling for an easy plug and play installation.

The output of the **DVA-2WA** may also be connected directly to loudspeakers for repeated messages or played at the push of a button for museum displays, information booths, point of interest locations, retail applications, etc.

The **DVA-2WA's** non-volatile memory eliminates the need for batteries or costly built in tape decks. This provides the convenience of recording at the shop or professional studio and then shipping to the installation site.

## Features

- **7.5 minutes of user recordable memory**
- **Select from user recorded messages or four pre-recorded on-hold pacifier messages**
- Three playback options: on demand, continuous loop and timed intervals
- Non-volatile memory (no batteries required)
- Built-in 2 watt amplifier will drive up to three **25AE** Paging Horns, **30AE** Ceiling Speakers or equivalent (**Fax Back Document 498**)
- **Record from electret mic, carbon handset, tape, CD, PC sound card or any line level device**
- **Monitor recording from a standard handset**
- **600 ohm audio output for high wattage amplifiers**
- Multiple message capabilities (total number of messages only limited to maximum record time)
- AGC (Automatic Gain Control) for trouble free recording
- Auxiliary audio (MOH) input for background music between messages
- Remote trigger input for on-demand playback from a remote contact closure
- **Press and hold play mode**
- Status LED for record and playback indication
- **Master and auxiliary input volume controls**
- **I.O. (Input/Output) communications port (allows only one DVA-2WA to announce at a time)**

**Phone...715.386.8861**

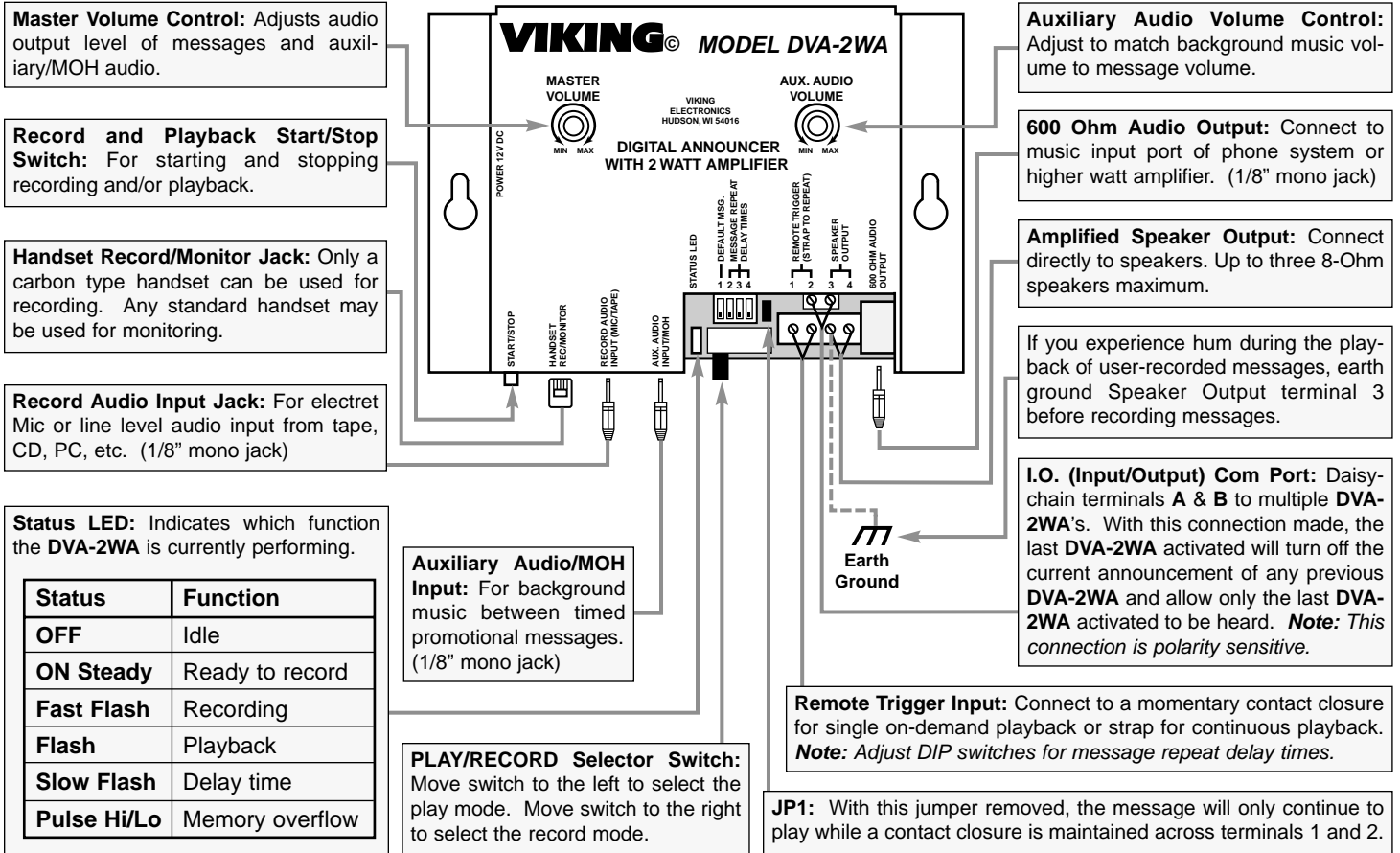
## Applications

- On-hold promotion messages and background-music
- Non-volatile message repeater for...
  - Museum and information displays
  - Car rental "Leave the keys in the ignition..."
  - Airport "Loading and unloading only..."
  - Smoking "This is a non-smoking building..."
  - Amusement Parks "Please keep your hands in the vehicle at all times..."
  - Retail "Blue light special in aisle 5..."

## Specifications

**Power:** 120V AC/12V DC, 500mA adapter provided  
**Dimensions:** 133mm x 89mm x 44mm (5.25" x 3.5" x 1.75")  
**Shipping Weight:** 1.0 kg (2.2 lbs)  
**Environmental:** 0°C to 32°C (32°F to 90°F) with 5% to 95% non-condensing humidity  
**Frequency Response:** 100-3.4KHz  
**Sampling Rate:** 64K (equivalent)  
**User Message Length:** 7.5 minutes maximum  
**Recording Audio Input Level:** 30mV - 1.0V RMS (AGC range)  
**600 Ohm Audio Output Level:** 0.3V RMS maximum (across a 600 ohm load)  
**Speaker Output Power:** 2 watt peak  
**Connections:** (1) 6-position cage clamp terminal block, (3) 3mm (1/8") audio jacks, (1) handset jack  
**Pre-recorded Pacifier Message Length:** 30 seconds total  
**Minimum Speaker Impedance:** 2.66 Ohms: (3) 8-Ohm speakers in parallel  
**I.O. Com Wire Run Length:** 1000 ft maximum (24 Awg)  
**Remote Trigger Wire Run Length:** 4000 ft maximum (24 Awg)

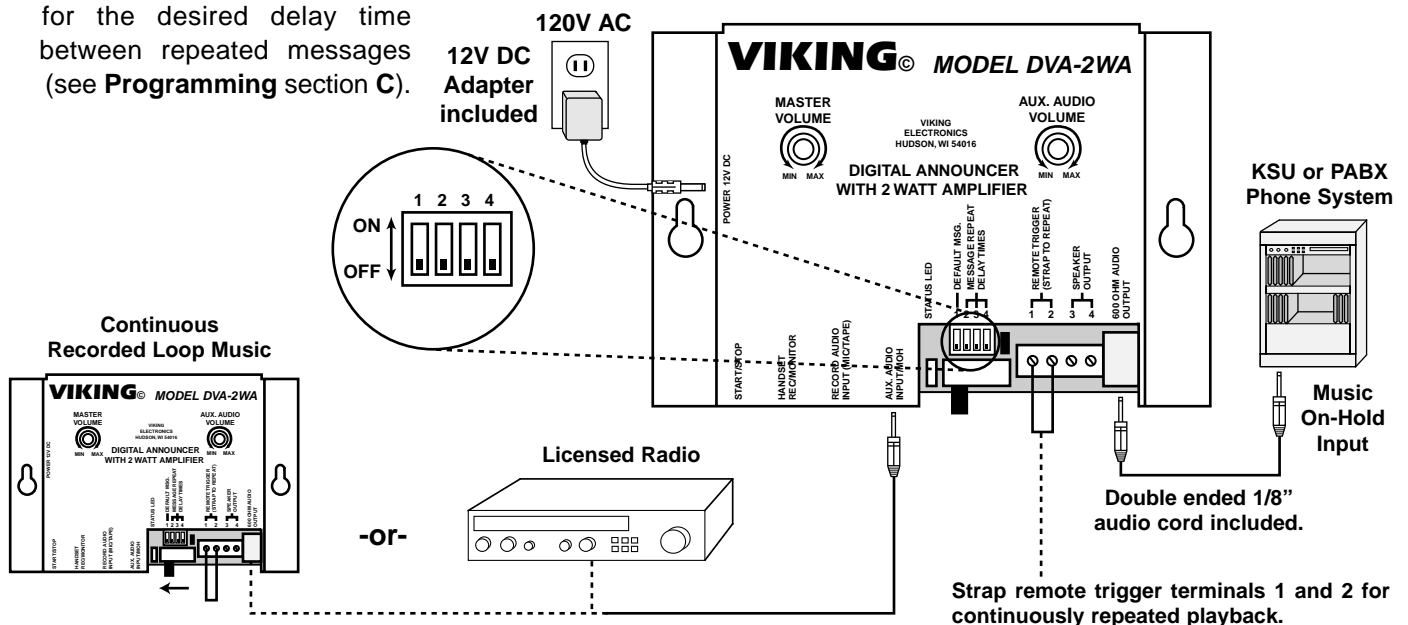
# Installation



## A. Pre-Recorded or User-Recorded Promotion and Music On Hold

In this application, the DVA-2WA will play a continuous loop to your phone system's music-on-hold port.

- Place DIP switch 1 in the ON position to play the four professionally recorded factory default on-hold pacifier messages (see **Programming** section C) or place DIP switch 1 in the OFF position and record and play your own promotion on hold messages on the DVA-2WA (see **Programming**).
- Strap terminals 1 and 2 for continuously repeated playback.
- Adjust DIP switches 2, 3 and 4 for the desired delay time between repeated messages (see **Programming** section C).

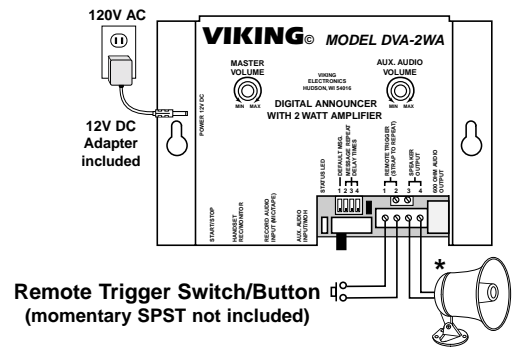


## B. Information On-Demand

### 1. On-Demand with Uninterruptible Announcement

This application is ideal for situations in which a momentary contact closure will trigger the announcement or message. Once triggered, the unit will play its entire message. When the message has finished, the switch can be activated again to play the next message (or repeat the first message if only one is recorded).

- Connect speakers to **DVA-2WA** as shown.
- Connect "Remote Trigger Switch/Button."

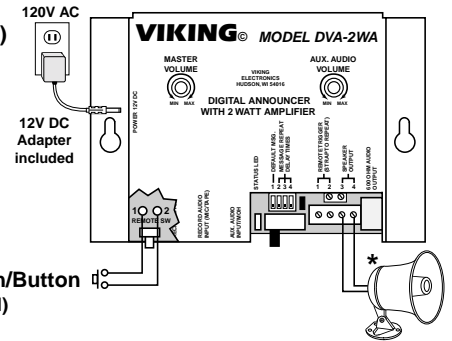


### 2. On-Demand with Interruptible Announcement (Single Start/Stop Switch/Button)

This application is ideal for situations in which a single switch or button is used to start and stop the message.

- Connect speakers to **DVA-2WA** as shown.
- Solder a momentary SPST switch/button to "REMOTE SW" pads 1 & 2. This will allow users to start and stop messages from a single remote switch.

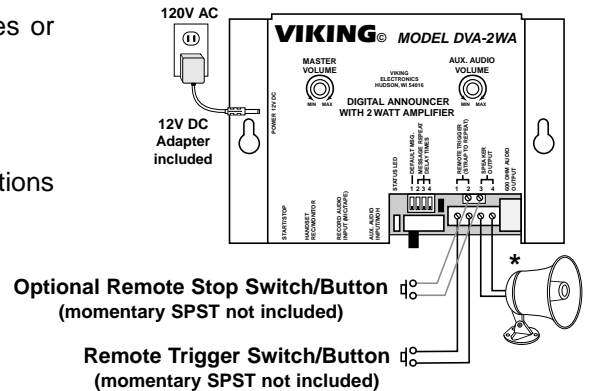
Optional Remote Start/Stop Switch/Button  
(momentary SPST not included)



### 3. On-Demand with Interruptible Announcement (Separate Start/Stop Switches/Buttons)

This application is ideal for situations in which separate switches or buttons are used to start and stop the message.

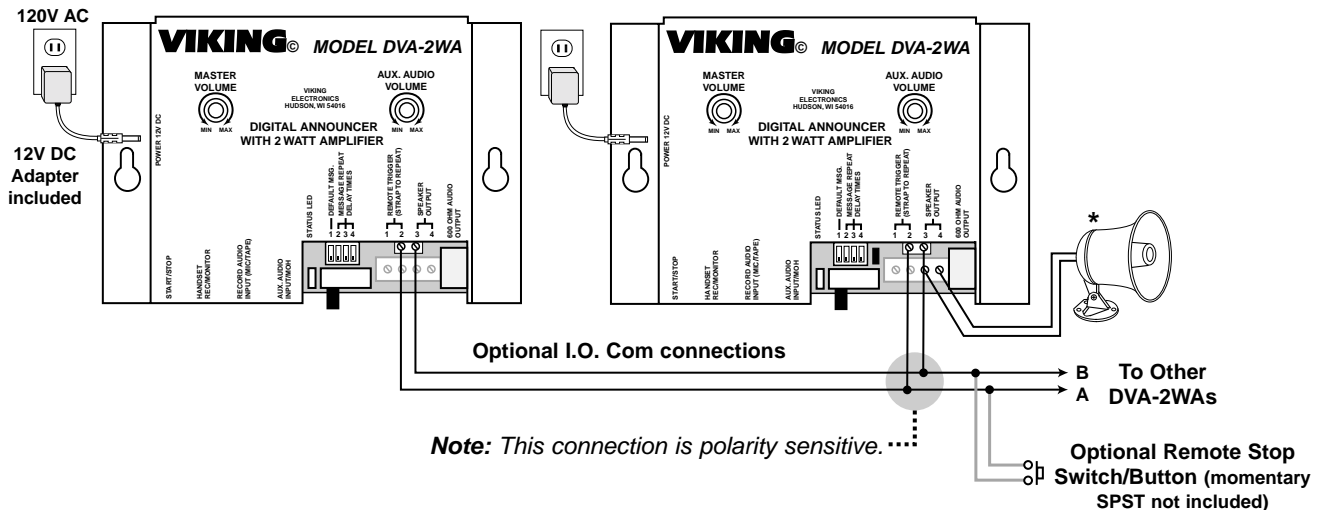
- Connect speakers to **DVA-2WA** as shown.
- Use the "Remote Trigger Switch/Button" for the "Start" switch.
- Use the optional Remote Stop Switch on the **I.O.COM** connections A & B for the "Stop" switch.



### 4. Multiple Units with I.O. (Input/Output) Communication

When installing multiple **DVA-2WA**'s in displays that are close enough together to cause audible interference, the I.O. communication will allow only one **DVA-2WA** to announce at a time. The last unit to be triggered will announce its message, disabling any current messages played from any previously triggered **DVA-2WA**.

- Connect speakers and remote momentary switches to **DVA-2WAs** as shown in sections 1, 2 or 3 above.
- Connect **I.O. Com** connections as shown to prevent two announcers from playing at one time.
- A remote "stop" switch can be connected to I.O. Connections A & B. A momentary closure will stop message.

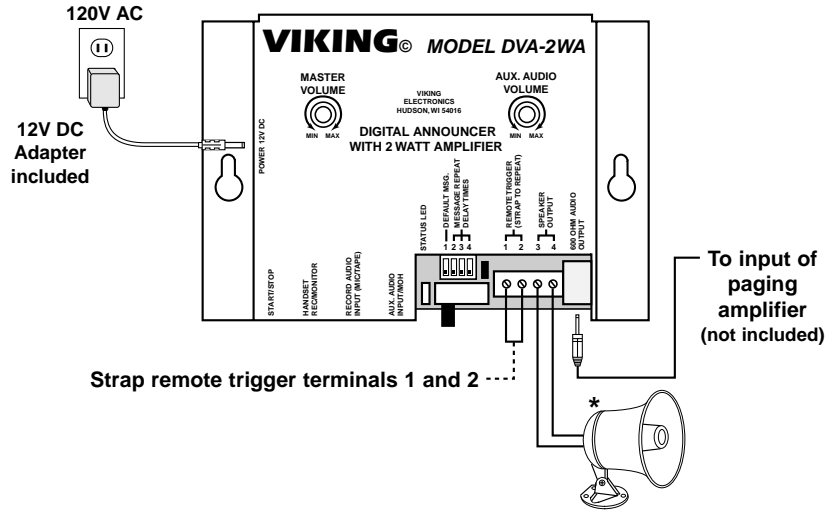


\* **Note:** Up to three 8-ohm speakers may be connected (not included). Viking models **25AE** Paging Horn, **30AE** Ceiling Speaker or equivalent are recommended. For more information, retrieve **Fax Back Document 498**.

### C. Continuous Loop (Repetitive Information)

Single or multiple informational messages may be repeated continuously or you may use the message repeat delay time option for adding timed intervals between messages.

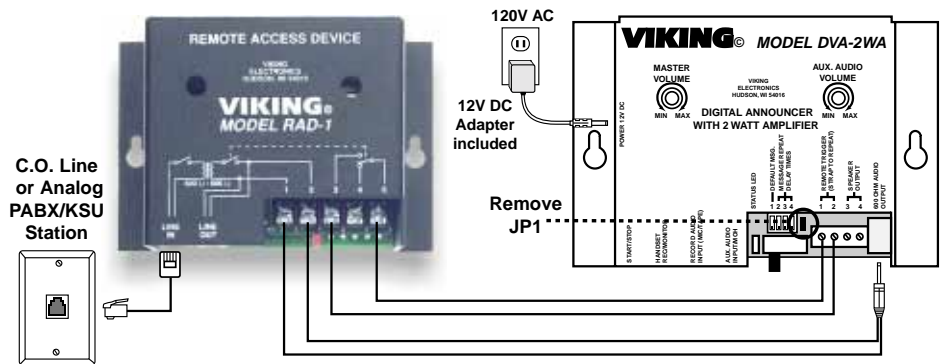
1. Adjust DIP switches 2, 3 and 4 for delay times of 2 seconds - 30 minutes (see **Programming section C**).
2. Connect speakers or auxiliary amplifier. The **DVA-2WA** will power up to three 8-ohm speakers, or can provide a 600 ohm signal to auxiliary amplifiers.
3. Strap (short) "Remote Trigger" terminals 1 & 2 for continuously repeated playback.



### D. Single Line 7.5 Minute Digital Announcer

In this application, the **RAD-1** will answer the line and trigger the message on the **DVA-2WA** to play from the beginning.

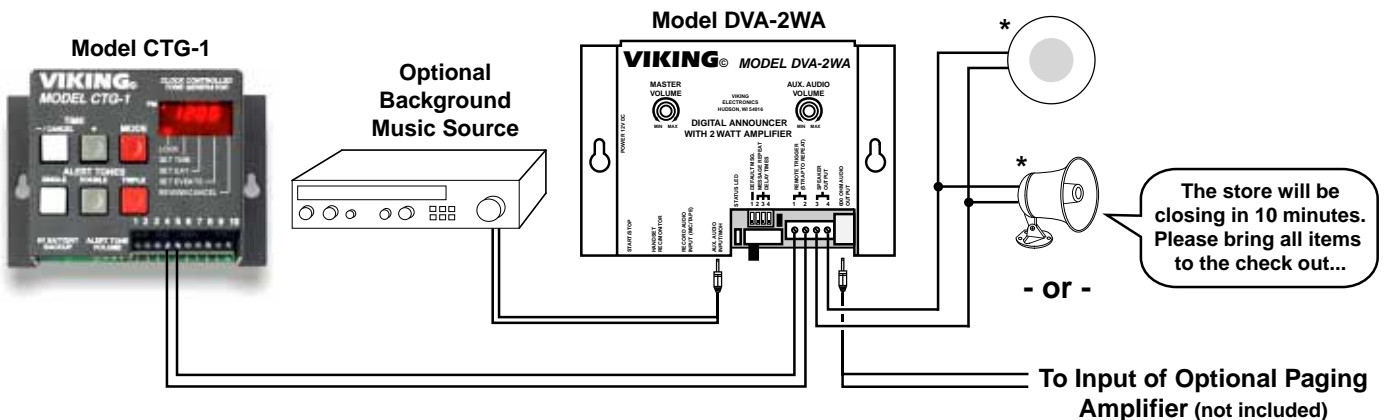
1. Connect as shown.
2. Remove **JP1**.
3. Program the **RAD-1** as shown in **Fax Back Document 410**.



**Important:** The **RAD-1** "Call Timer" must be programmed to a time long enough for the **DVA-2WA** to play its entire message. Please refer to the **RAD-1** Technical Practice, **Fax Back Document 410**.

### E. Time Activated Messages Over a Paging System

In this application, the **DVA-2WA** is used in conjunction with a **CTG-1** Clock Controlled Tone Generator (**Fax Back Document 460**) to provide time activated promotional voice messages over an existing paging system.

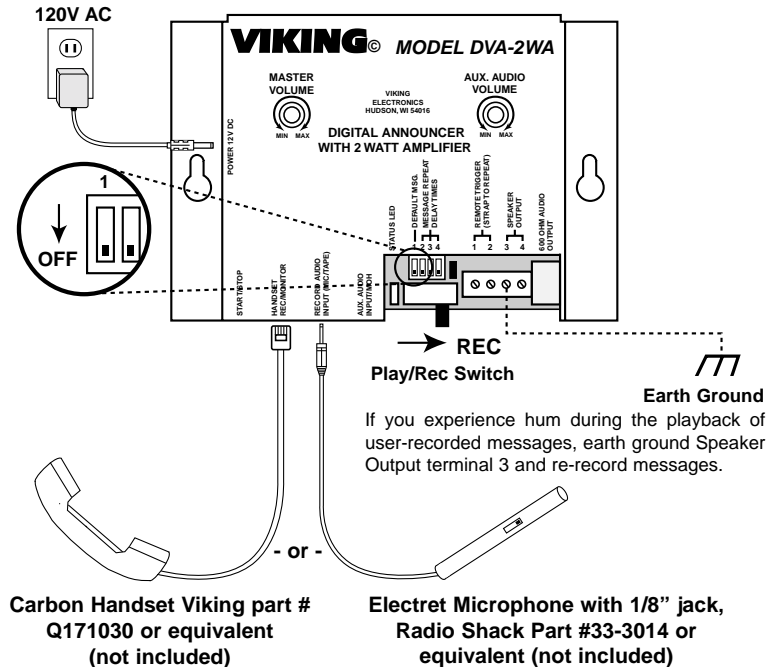


\* **Note:** Up to three 8-ohm speakers may be connected (not included). Viking models **25AE** Paging Horn, **30AE** Ceiling Speaker or equivalent are recommended. For more information, retrieve **Fax Back Document 498**.

# Programming and Recording

## A. Recording from an Electret Microphone or Carbon Handset

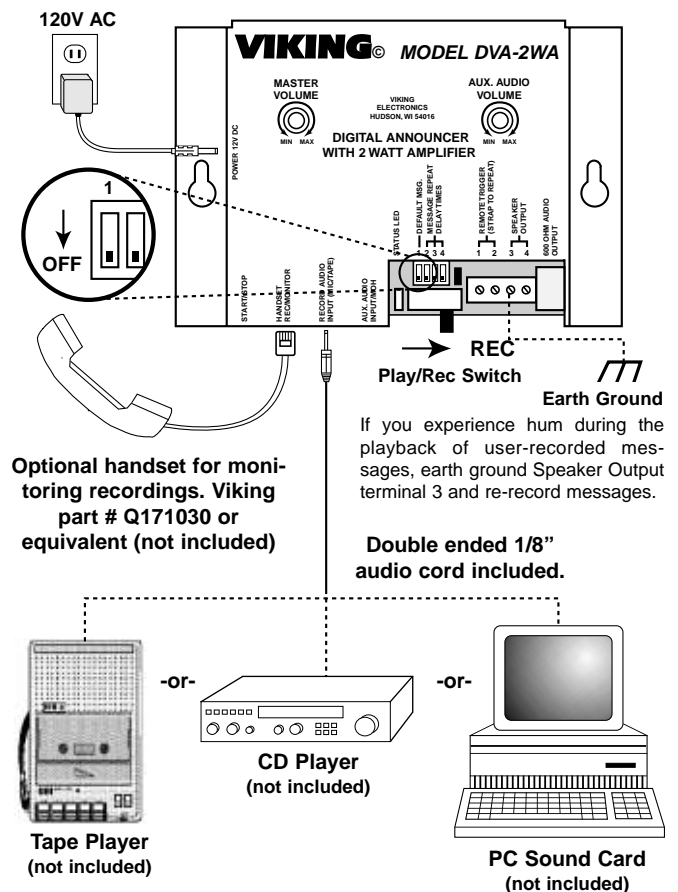
- Place DIP switch 1 in the **OFF** position and remove any background music source from the **AUX AUDIO** input.
- Connect the 1/8" Electret microphone plug to the Record Audio input or connect a carbon handset to the modular jack of the **DVA-2WA**.
- Slide the **PLAY/RECORD** switch to the right, the LED will light steady to indicate the **DVA-2WA** is in the record mode. **Note:** To avoid feedback, turn the Master Volume control to "min" position.
- Momentarily press the **START/STOP** button to begin recording. The LED will flash fast to indicate you are recording.
- Momentarily press the **START/STOP** button again to stop recording, the LED will light steady.
- Repeat steps 4 and 5 for each message you wish to record.
- Slide the **PLAY/RECORD** switch to the left to place the **DVA-2WA** back into the play mode.
- Turn up the Master Volume control and review recording(s) by momentarily pressing the **START/STOP** button and listening to messages in handset, speakers or 600 ohm output.



**Note:** If the total available record time is surpassed while recording, the status LED will pulse hi/lo. To re-record all user-recorded messages, move the switch to play then back to the record position. This will allow you to record over all the previous messages in memory.

## B. Recording from a Tape, CD Player or Any Line Level Source (PC sound card, etc)

- Place DIP switch 1 in the OFF position and disconnect any background music source from the **Aux Audio** input.
- Set the volume on the tape/CD player to a middle setting.
- Connect the output from the Tape/CD player to the **RECORD AUDIO** input jack of the **DVA-2WA** using the double ended 1/8" audio cord provided.
- Slide the Play/Rec switch to the right, the LED will light steady to indicate the **DVA-2WA** is in the record mode.
- Start the tape/CD player and monitor when to start and stop the recording by listening through the speaker(s) connected to terminals 3 and 4 or monitor with a handset connected to the handset **REC/MONITOR** jack (mouthpiece will be disabled).
- Momentarily press the **START/STOP** button to begin recording. The LED will flash fast.
- Momentarily press the **START/STOP** button again to stop recording. The LED will light steady.
- Repeat steps 5 through 7 for each message you wish to record.
- Slide the **PLAY/REC** switch to the left position to place the **DVA-2WA** back into the play mode.



**Notes:** If the total available record time is surpassed while recording, the status LED will pulse hi/lo. To re-record all user-recorded messages, move the switch to play then back to the record position. This will allow you to record over all the previous messages in memory.

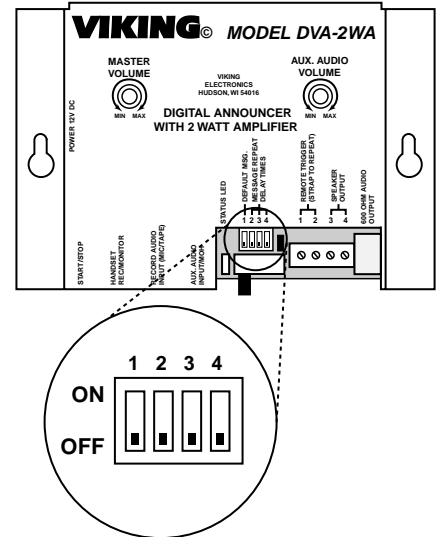
## C. DIP Switch Programming

### 1. DIP Switch 1 - Pre-Recorded or User-Recorded Messages

**ON** = Unit will only playback the professionally pre-recorded on-hold pacifier messages (4 messages, approximately 30 seconds of total playback time).

**Note:** The 4 pre-recorded messages are stored in non-volatile memory and cannot be re-recorded or erased.

Message #	Length	Message
1	4.5 sec	Please continue to hold. We'll be back with you as soon as possible.
2	7.5 sec	Thank you for holding, we look forward to talking with you. Please continue to hold and we'll be back with you in a moment.
3	6.5 sec	Please continue to hold. Your call is very important to us. We'll be back with you in just a moment.
4	6.5 sec	Thank you for holding, we appreciate your patience. Please hold the line and we'll be right back with you.



**OFF** = Unit will only playback the user-recorded message(s) (total number of messages only limited to the maximum record time of 7.5 minutes).

### 2. DIP Switches 2, 3 and 4 - Delay Time Between Message Playback

These DIP switches are used to select the delay time for background music between message playback. Use the chart at the right to select your desired delay time.

Sw 2	Sw 3	Sw 4	Delay Time
OFF	OFF	OFF	2 seconds
OFF	OFF	ON	15 seconds
OFF	ON	OFF	30 seconds
OFF	ON	ON	60 seconds
ON	OFF	OFF	5 minutes
ON	OFF	ON	7.5 minutes
ON	ON	OFF	15 minutes
ON	ON	ON	30 minutes

# Operation

## A. Recording

The **DVA-2WA** is designed to be recorded from any line level source (tape/CD player, PC soundcard, etc.) or live from an Electret microphone or carbon handset. Single or multiple messages may be recorded. There is no defined limit (other than maximum record time) to the total number of messages which can be recorded. With the **PLAY/RECORD** switch in the **RECORD** (right) position follow the steps in **Programming and Recording**.

## B. Information On-Demand

With the **PLAY/RECORD** switch in the **PLAY** position, the **DVA-2WA** is ready to play. Momentarily press the start switch on the front panel or a remote switch connected to the remote trigger terminals (or "**REMOTE SW**" pads 1 & 2) to initiate a single message playback. Each message will playback one at a time in the order in which they were recorded. After a message has been played, the button must be pressed again for the next message. The **START/STOP** switch on the front panel (or the switch connected to "**REMOTE SW**" pads 1 & 2) can also be used to start and stop message playback. Momentarily pressing the switch during an announcement will stop playback and will also reset the unit to begin playback from the first message recorded on the next switch activation or remote trigger.

## C. Continuous Loop

In the continuous loop mode (see **Installation** section **C**), the **DVA-2WA** will play all recorded messages one at a time in the order in which they were recorded with programmed delay times between each message. Delays between message playback are selectable from 2 seconds to 30 minute increments (see **Programming** section **C**). If a background music source is connected, music will be faded in and out during the delay times.

**Note:** If the Auxiliary Audio is not loud enough, and the **AUX AUDIO** is at maximum, increase the volume of your music source (licensed radio, etc.)

**Product Support Line...715.386.8666**

**Fax Back Line...715.386.4345**

Due to the dynamic nature of the product design, the information contained in this document is subject to change without notice. Viking Electronics, and its affiliates and/or subsidiaries assume no responsibility for errors and omissions contained in this information. Revisions of this document or new editions of it may be issued to incorporate such changes.

## Free Manuals Download Website

<http://myh66.com>

<http://usermanuals.us>

<http://www.somanuals.com>

<http://www.4manuals.cc>

<http://www.manual-lib.com>

<http://www.404manual.com>

<http://www.luxmanual.com>

<http://aubethermostatmanual.com>

Golf course search by state

<http://golfingnear.com>

Email search by domain

<http://emailbydomain.com>

Auto manuals search

<http://auto.somanuals.com>

TV manuals search

<http://tv.somanuals.com>