



The Insert Studio

Gas Fireplace Inserts and Trims



Inserts and Surrounds
to create the look
you want.



LHEC30

Model shown with Marquette in Rustic Bronze

Gas Fireplace Inserts that make great sense.



Everyone loves a good before & after renovation story – especially when it includes a room with an uninteresting masonry wood-burning fireplace and ends in a stylish room with an enticing Vermont Castings® gas fireplace insert. Think of the simple convenience of

flicking a switch – there's no more logs to carry in or fire to light. Vermont Castings offers inspiring and warm alternatives to transforming your favorite room in the house into a cozy retreat.

Two size versions available in direct vent or natural vent:

- LHE20 available in radiant or circulating models
- LHE30 available in radiant or circulating models
- Models available with millivolt valve (convenient on/off trim switch) or Comfort Control System (hand held remote control)
- The radiant line of gas inserts come standard with lower black flat louvers
- Circulating inserts are shipped without any louvers (you pick the color & style)

OH THE POSSIBILITIES!

Customize your look with Vermont Castings Surround options



LHER20 model shown with Large Surround in Black and trim base riser LHE20SLB, LHE20R1



LHER20 model shown with Large Surround in Black, trim closure kit and trim base riser • LHE20SLB, LHE20TCK, LHE20R1



LHEC20 model shown with Small Surround in Black and regular flat louvers • LHE20SSB, LHEC20FB

LHE INSERT OPTIONS

LOUVER KIT OPTIONS	LHEC30	LHER30	LHEC20	LHER20
Std. Louver Top & Bottom Black	✓		✓	
Filigree Top & Bottom Black	✓		✓	
Filigree Top & Bottom Pewter	✓		✓	
Filigree Top & Bottom Gold	✓			
HEBTK Window Adapter kit	✓			
FACE KITS/SURROUNDS				
Romanesque				
Ebony Black	✓			
Rustic Bronze	✓			
Modern Pewter	✓			
Marquette				
Ebony Black	✓			
Rustic Bronze	✓			
Modern Pewter	✓			
Georgian Square Surround				
Classic Black	✓			
Ebony Black	✓			
Georgian Bay Surround				
Classic Black	✓			
Ebony Black	✓			

SURROUND OPTIONS	LHEC30	LHER30	LHEC20	LHER20
Small Surround – Black 4.5"	✓	✓	✓	✓
Large Surround – Black 6"	✓	✓	✓	✓
Large Surround Antique – Brass 6"	✓	✓		
Mead Surround Large – Black	✓	✓	✓	✓
Mead Surround Large – Ebony Black enamel	✓	✓		
Caprice Surround Classic – Black	✓	✓	✓	✓
Caprice Surround Ebony – Black	✓	✓	✓	✓
Adjustable Bevel Steel Surround Large	✓	✓	✓	✓
BAY FACE KIT (must purchase surround separately)				
Traditional Cast Bay – Classic Black	✓		✓	
Steel Bay Window w/ Filigree – Black	✓	✓		
SURROUND KIT BASE RISERS				
1" Trim Base riser – Black	✓	✓	✓	✓
2" Trim Base riser – Black	✓	✓	✓	✓
2" Trim Base riser – Black	✓	✓	✓	✓
ACCESSORIES				
Trim Closure Kit – Black for XL Fireplace	✓	✓	✓	✓
Arch Door Kit, Black	✓		✓	
Ceramic Fiber Brick Firebox Liner	✓	✓	✓	✓
Zero Clearance Kit	✓	✓	✓	✓
Outside Air Kit (for use with HEZC)	✓	✓	✓	✓
IMT Thermostat w/ Face Plate	✓	✓	✓	✓

HOW TO BUILD YOUR CUSTOM INSERT:



1. Choose an insert by size, BTUs and venting system (your Vermont Castings dealer will be able to help you here).
2. Choose face kit(s) – goes on the front of the insert, choices vary by model.
3. Choose a surround – goes around the insert and closes off the fireplace opening. Again, choices vary by model.
4. Choose additional accessory – brick lining, remote control, thermostat.



LHEC20 model shown with Mead Traditional Cast Surround & cast bay window in Classic Black, base riser and brick lining • LHEC20CBTK, LHE20CSLB, LHER20R1, LHEC20CR



LHEC20 model with Large Surround in Black, Black filigree louvers and brick lining • LHE20SLB, LHEC20LKB, LHEC20CR



LHEC20 model shown with Adjustable Bevel Steel Surround in Black with cast keystone & boots, black arched door, base riser and brick lining • LHEABSL, LHEC20DKB, LHEC20FB, LHEC20CR



LHEC30
 Model shown with Small Black Surround and pewter filigree louvers

COMFORT CONTROL SYSTEM

A great feature that puts you in charge of the heat level in your room – managed simply via a hand held remote. Available on LHEC20, LHECDV20, LHEC30 and LHECDV30 models.

- Lets you control flame and fan simultaneously
- Operates without electricity
- All-in-one valve construction – no additional fan or remote system required
- Six level modulating flame and fan
- Thermostat governs flame and fan together for maximum comfort
- Timer will shut off fire at a later time, so you can go to bed without worrying



LHER30 model shown with Caprice Surround in Classic Black • LHEACNSS



LHEC30 model shown with Small Surround in Black, steel bay window and brick lining • LHE30SSB, LHEC30BTK, LHEC30CR



LHEC30 model shown with Small Surround in Black, gold plated louvers and brick lining • LHE30SSB, LHEC30LKG, LHEC30CR

**How Vermont Castings
Natural Vent Gas Inserts Work:**

Models: LHER20, LHEC20,
LHER30, LHEC30

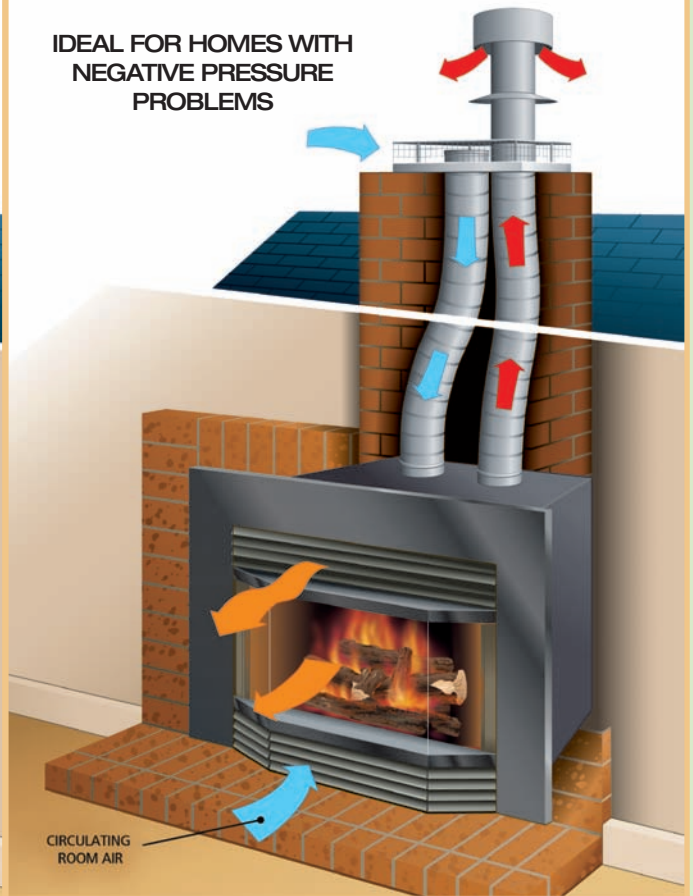


COMBUSTION AIR
AND CIRCULATING AIR

**How Vermont Castings
Direct Vent Gas Inserts Work:**

Models: LHERDV20, LHECDV20,
LHERDV30, LHECDV30

IDEAL FOR HOMES WITH
NEGATIVE PRESSURE
PROBLEMS



CIRCULATING
ROOM AIR

ARROW LEGEND

→ COLD AIR FOR COMBUSTION

→ EXHAUST

→ RADIANT HEAT

→ CONVECTED HEAT



LHEC30 model shown with Adjustable Bevel Steel Surround in Black with cast keystone & boots, steel bay window, Black bay trim • LHEABSL, LHEC30BTK, LHEC30BLKS



LHEC30 model shown with Large Surround in Antique Brass with gold plated edge, Black arched doors, regular flat louvers and brick lining • LHE30SLGA, LHEC30DKB, LHEC30FB, LHEC30CR



LHEC30 model shown with Large Surround in Black, regular flat louvers and brick lining • LHEC30SLB, LHEC30FB, LHEC30CR



LHEC30

Model shown with Romanesque in Rustic Bronze

Features & Benefits

- Insta-Flame radiant ceramic burner
- Ceramic glass front for radiant heat
- Ceramic fiber spilt oak log set
- Variable speed, heat activated fan is standard on all circulating models

- On/off trim switch on RN models
- Standing pilot, requires no electricity – provides reliable heat
- Natural gas or propane models available

Optional Accessories:

- Ceramic refractory brick lining
- Surround base risers in 1", 2" and 5" heights
- Wall thermostat
- Remote Control



LHEC30 model shown with Large Surround in Black, Black filigree louvers and brick lining • LHE30SLB, LHEC30DKB, LHEC30LKB, LHEC30CR

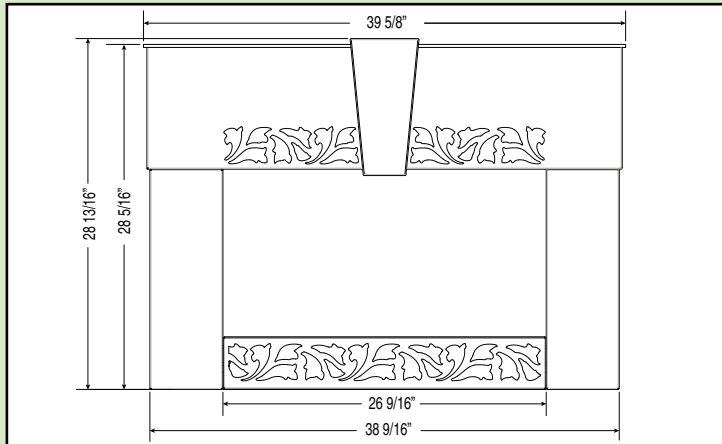


LHEC30 model shown with Small Surround in Black, Black arched doors, pewter filigree louvers and brick lining LHE30SSB, LHEC30DKB, LHEC30LKS, LHEC30CR

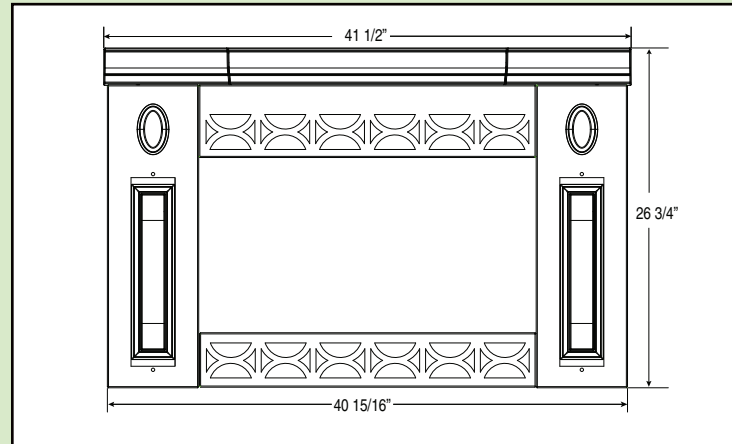


LHEC30 model Shown with Romanesque in Ebony Black • 30DVSRFKB

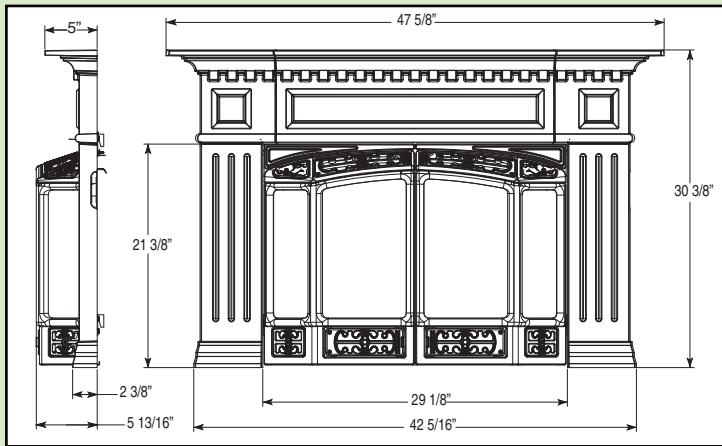
30" Romanesque Face Trim Kit



30" Marquette Face Trim Kit



30" Georgian Cast Surround and Bay



It's all in the details

Vermont Castings is renowned for its beautiful fine carvings in cast iron. The smooth finish accentuates the cast surround and cast bay window.

Specifications	LHER20	LHERDV20	LHEC20	LHECDV20	LHEC30	LHECDV30	LHER30	LHERDV30
BTU Input High	20,000 LP & NG	20,000 LP & NG	20,000 LP & NG	20,000 LP & NG	30,000 LP & NG	30,000 LP & NG	30,000 LP & NG	30,000 LP & NG
BTU Input Low	15,000 LP/ 14,000 NG	15,000 LP/ 14,000 NG	15,000 LP/ 14,000 NG	15,000 LP/ 14,000 NG	22,500 LP/ 21,000 NG	22,500 LP/ 21,000 NG	22,500 LP/ 21,000 NG	22,500 LP/ 21,000 NG
EnerGuide Ratings Fireplace Efficiency	51%	59.7%	51.2%	61.3%	48.5%	61.5%	48.3%	59.9%
Steady State Efficiency (with fan on)	70% LP/ 69% NG*	70% LP/ 69% NG*	76% LP/ 75% NG	73% LP/ 72% NG	73% LP/ 72% NG	74% LP/ 73% NG	73% LP/ 72% NG*	74% LP/ 73% NG*
AFUE by DOE Ratings	59%	64%	60%	65%	64%	66%	67%	71%

*Fan n/a for this model



LHEC30 model shown with Romanesque in Modern Pewter • 30DVSFRKS



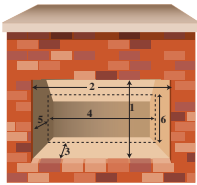
LHEC30 model shown with Marquette in Rustic Bronze • 30DVSMTKR



LHEC30 model shown with Georgian Traditional Cast Surround & cast bay window in Ebony Black and brick lining • 30DVSGTKB, 30DVBGTKB, LHEC30CR



<p>MODEL LHEC20</p> <p>LHE20SSB SURROUND A 20 3/4" B 30 3/4" C 25 1/2"</p> <p>LHE20SLB SURROUND A 24 1/4" B 37 1/2"</p> <p>LHE20CSLB SURROUND A 24 1/4" B 38 1/8"</p> <p>LHEACNSS SURROUND A 20 3/4" D 16 1/2" E 10 1/2" F 13"</p> <p>LHE20TCK SURROUND A 28" B 45" G 13 3/4" H 17" I 19 1/2" J 15"</p>	<p>MODEL LHECDV20</p> <p>LHE20SSB SURROUND A 20 3/4" B 30 3/4" C 25 1/2"</p> <p>LHE20SLB SURROUND A 24 1/4" B 37 1/2"</p> <p>LHE20CSLB SURROUND A 24 1/4" B 38 1/8"</p> <p>LHEACNSS SURROUND A 20 3/4" D 17" E 10 3/4" F 13 1/2"</p> <p>LHE20TCK SURROUND A 28" B 45" G 15" H 17" I 18" J 19 1/2"</p>
<p>MODEL LHER20</p> <p>LHE20SSB SURROUND A 20 3/4" B 30 3/4" C 25 1/2"</p> <p>LHE20SLB SURROUND A 24 1/4" B 37 1/2"</p> <p>LHE20CSLB SURROUND A 24 1/4" B 38 1/8"</p> <p>LHEACNSS SURROUND A 20 3/4" D 16" E 11 1/2" F 14"</p> <p>LHE20TCK SURROUND A 28" B 45" G 13 3/4" H 17" I 19 3/4" J 15"</p>	<p>MODEL LHERDV20</p> <p>LHE20SSB SURROUND A 20 3/4" B 30 3/4" C 25 1/2"</p> <p>LHE20SLB SURROUND A 24 1/4" B 37 1/2"</p> <p>LHE20CSLB SURROUND A 24 1/4" B 38 1/8"</p> <p>LHEACNSS SURROUND A 20 3/4" D 17" E 10 3/4" F 13 1/2"</p> <p>LHE20TCK SURROUND A 28" B 45" G 15" H 17" I 18" J 19 1/2"</p>
<p>MODEL LHEC30</p> <p>LHE30SSB SURROUND A 26 3/4" B 38 1/4" C 29 3/4"</p> <p>LHE30SLB/LHE30SLGA SURROUND A 28 3/4" B 41"</p> <p>LHE30CSLB/LHE30CSLMB SURROUND A 28 1/4" B 41 1/8"</p> <p>LHEACNSS SURROUND A 24 3/4" D 16 1/8" E 12 3/4" F 15 1/2" G 16"</p> <p>LHE30TCK SURROUND A 32 1/4" B 49" F 15 1/2" G 16" H 20 3/4" I 23 1/4"</p> <p>LHE30 MARQUETTE A 26 3/4" B 41 1/4" I 17"</p> <p>LHE30 ROMANESQUE A 28 3/4" B 39 3/4"</p>	<p>MODEL LHECDV30</p> <p>LHE30SSB SURROUND A 26 3/4" B 38 1/4" C 29 3/4"</p> <p>LHE30SLB/LHE30SLGA SURROUND A 28 3/4" B 41"</p> <p>LHE30CSLB/LHE30CSLMB SURROUND A 28 1/4" B 41 1/8"</p> <p>LHEACNSS SURROUND A 24 3/4" D 16 3/8" E 11 3/4" F 15 1/2" G 16"</p> <p>LHE30TCK SURROUND A 32 1/4" B 49" F 15 1/2" G 16" H 20 1/2" I 21 1/2" J 22 3/4"</p> <p>LHE30 MARQUETTE A 26 3/4" B 41 1/2"</p> <p>LHE30 ROMANESQUE A 28 3/4" B 39 3/4"</p>
<p>MODEL LHER30</p> <p>LHE30SSB SURROUND A 26 3/4" B 38 1/4" C 29 3/4"</p> <p>LHE30SLB/LHE30SLGA SURROUND A 28 3/4" B 41"</p> <p>LHE30CSLB/LHE30CSLMB SURROUND A 28 1/4" B 41 1/8"</p> <p>LHEACNSS SURROUND A 24 3/4" D 16 1/4" E 13 3/4" F 16 1/2" G 16"</p> <p>LHE30TCK SURROUND A 32 1/4" B 49" F 16 1/2" G 16" H 20 3/4" I 23 1/4" J 18"</p>	<p>MODEL LHERDV30</p> <p>LHE30SSB SURROUND A 26 3/4" B 38 1/4" C 29 3/4"</p> <p>LHE30SLB/LHE30SLGA SURROUND A 28 3/4" B 41"</p> <p>LHE30CSLB/LHE30CSLMB SURROUND A 28 1/4" B 41 1/8"</p> <p>LHEACNSS SURROUND A 24 3/4" D 16 1/4" E 12" F 16 1/2" G 16"</p> <p>LHE30TCK SURROUND A 32 1/4" B 49" F 16 1/2" G 16" H 20 3/4" I 23 1/4" J 18"</p>



MINIMUM FIREPLACE OPENINGS

	LHEC20	LHER20	LHECDV20	LHERDV20	LHEC30	LHER30	LHECDV30	LHERDV30
1	17 1/4"	17 1/4"	17 1/2"	17 1/2"	21"	21"	21"	21"
2	25 1/4"	25 1/4"	25 1/4"	25 1/4"	28 3/4"	28 3/4"	28 3/4"	28 3/4"
3	13 1/2"	14"	13 1/2"	13 1/2"	16"	16 1/2"	15 1/2"	16 1/2"
4	17"	17"	17"	17"	17 3/4"	17 3/4"	17 3/4"	17 3/4"
5	13 3/4"	14"	13 3/4"	13 3/4"	16"	16 1/2"	15 3/4"	16 1/2"
6	18"	18"	18"	18"	21 5/16"	21 5/16"	21 5/16"	21 5/16"

1 - Fireplace opening height
 2 - Fireplace opening width
 3 - Depth of insert
 4 - Firebox width insert depth (3)
 5 - Firebox depth at insert back height (6)
 6 - Insert back height



Canada
ENERGUIDE
 Look for the EnerGuide Gas Fireplace Energy Efficiency Rating in this brochure
 Based on CSA P.4.1-02



ph: 1.800.525.1898
 www.vermontcastings.com
 www.majesticproducts.com

YOUR DEALER

Free Manuals Download Website

<http://myh66.com>

<http://usermanuals.us>

<http://www.somanuals.com>

<http://www.4manuals.cc>

<http://www.manual-lib.com>

<http://www.404manual.com>

<http://www.luxmanual.com>

<http://aubethermostatmanual.com>

Golf course search by state

<http://golfingnear.com>

Email search by domain

<http://emailbydomain.com>

Auto manuals search

<http://auto.somanuals.com>

TV manuals search

<http://tv.somanuals.com>