

# WEBER FLAME™



## Natural Gas Fireplace Owner's Guide

#39995



### ⚠ WARNING

If the information in this manual is not followed exactly, a fire or explosion may result causing property damage, personal injury or loss of life.

### ⚠ WARNING

Improper installation, adjustment, alteration, service or maintenance can cause injury or property damage. Read the installation, operating and maintenance instructions thoroughly before installing or servicing this equipment.

- Do not store or use gasoline or other flammable vapors and liquids in the vicinity of this or any other appliance.
- WHAT TO DO IF YOU SMELL GAS:
  - Do not try to light any appliance.
  - Do not touch any electrical switch; do not use any phone in your building.
  - Immediately call your gas supplier from a neighbor's phone.
  - Follow the gas supplier's instructions.
  - If you cannot reach the gas supplier, call the fire department.
- Installation and service must be performed by a qualified installer, service agency or the gas supplier.

⚠ WARNING: FOR OUTDOOR USE ONLY.

These instructions are to be retained by the consumer for future reference.

This appliance is not a heater.



# 2

## DANGERS AND WARNINGS

### **⚠ DANGER**

Failure to follow the Dangers, Warnings and Cautions contained in this Owner's Manual may result in serious bodily injury or death, or in a fire or an explosion causing damage to property.

### **⚠ WARNINGS**

- ⚠ Do not use this appliance to cook food.**
- ⚠ NEVER burn real logs in fireplace.**
- ⚠ Do not burn any other materials than are supplied with and intended for use in this fireplace.**
- ⚠ Do not pour water into fireplace.**
- ⚠ Do not use this appliance if any part has been under water. Immediately call a qualified service technician to inspect the appliance and to replace any part or the control system and any gas control which has been under water.**
- ⚠ Do not store a spare or disconnected liquid propane cylinder near this fireplace.**
- ⚠ Improper assembly may be dangerous. Please follow the assembly instructions carefully.**
- ⚠ After a period of storage, and/or non use, the Weber® gas fireplace should be checked for gas leaks and burner obstructions before use. See instructions in this manual for correct procedures.**
- ⚠ Do not operate the Weber® gas fireplace if there is a gas leak present.**
- ⚠ Install fireplace on a secure level surface.**
- ⚠ Do not use a flame to check for gas leaks.**
- ⚠ Combustible materials should never be within 24 inches of the top, back or sides of your Weber® gas fireplace.**
- ⚠ Do not put a fireplace cover or anything flammable on, or beneath the fireplace.**
- ⚠ Your Weber® gas fireplace should never be used by children. Accessible parts of the fireplace may be very hot. Keep young children away while it is in use.**
- ⚠ You should exercise reasonable care when operating your Weber® gas fireplace. It will be hot during use or cleaning and should never be left unattended, or moved while in operation.**
- ⚠ Should the burner go out while in operation, turn the gas valve off. Wait five minutes before attempting to relight, using the lighting instructions.**
- ⚠ Do not use charcoal or any other solid fuel in your Weber® gas fireplace.**
- ⚠ Never lean over the open fireplace or place hands or fingers on the upper portion of an operational unit.**
- ⚠ Do not rest feet on the fireplace.**
- ⚠ Do not enlarge valve orifices or burner ports when cleaning the valve or burner.**
- ⚠ The Weber® gas fireplace should be thoroughly cleaned on a regular basis.**
- ⚠ Liquid propane gas is not natural gas. The conversion or attempted use of natural gas in a liquid propane unit or liquid propane gas in a natural gas unit is dangerous and will void your warranty.**
- ⚠ Do not attempt to disconnect any gas fitting while your fireplace is in operation.**
- ⚠ Keep any electrical supply cord and the fuel supply hose away from any heated surfaces.**
- ⚠ Combustion by-products produced when using this product contain chemicals known to the state of California to cause cancer, birth defects, or other reproductive harm.**
- ⚠ Do not use this fireplace unless all parts are in place. The unit must be properly assembled according to the instructions outlined in the "Assembly Instructions".**

# WARRANTY / GENERAL INSTRUCTIONS

# 3

Weber-Stephen Products Co. (Weber®) hereby warrants to the ORIGINAL PURCHASER of this Weber® gas fireplace that it will be free of defects in material and workmanship from the date of purchase as follows:

**Aluminum Castings, lifetime, 1 year paint**  
**Porcelain Hood Section, 25 years**  
**Burner, 10 years**  
**Igniter, 3 years**  
**All Remaining Parts, 3 years**

when assembled and operated in accordance with the printed instructions accompanying it.

Weber may require reasonable proof of your date of purchase. THEREFORE, YOU SHOULD RETAIN YOUR SALES SLIP OR INVOICE.

This Limited Warranty shall be limited to the repair or replacement of parts that prove defective under normal use and service and which on examination shall indicate, to Weber's satisfaction, they are defective. Before returning any parts, contact the Customer Service Representative in your area using the contact information on our website. If Weber® confirms the defect and approves the claim, Weber® will elect to replace such parts without charge. If you are required to return defective parts, transportation charges must be prepaid. Weber® will return parts to the purchaser, freight or postage prepaid. This Limited Warranty does not cover any failures or operating difficulties due to accident, abuse, misuse, alteration, misapplication, vandalism, improper installation or improper maintenance or service, or failure to perform normal and routine maintenance, including but not limited to damage caused by insects within the burner tubes, as set out in this owner's manual.

Deterioration or damage due to severe weather conditions such as hail, hurricanes, earthquakes or tornadoes, discoloration due to exposure to chemicals either directly or in the atmosphere, is not covered by this Limited Warranty.

There are no other express warrants except as set forth herein and any applicable implied warranties of merchantability and fitness are limited in duration to the period of coverage of this express written Limited Warranty. Some regions do not allow limitation on how long an implied warranty lasts, so this limitation may not apply to you.

Weber® is not liable for any special, indirect or consequential damages. Some regions do not allow the exclusion or limitation of incidental or consequential damages, so this limitation or exclusion may not apply to you.

Weber® does not authorize any person or company to assume for it any other obligation or liability in connection with the sale, installation, use, removal, return, or replacement of its equipment; and no such representations are binding on Weber®.

This Warranty applies only to products sold at retail.

## WEBER-STEPHEN PRODUCTS CO.

**Customer Service Center**  
**1890 Roselle Road, Suite 308**  
**Schaumburg, IL 60195**  
**USA**

**For replacement parts call:**

**1-800-446-1071**  
**www.weber.com®**

- These instructions will give you the minimum requirements for assembling your Weber® gas fireplace. Please read the instructions carefully before using your Weber® gas fireplace. Improper assembly can be dangerous.
- Not for use by children.
- Young children should be carefully supervised when they are in the area of the fireplace.
- Children and adults should be alerted to the hazards of high surface temperatures and should stay away to avoid burns or clothing ignition.
- Clothing or other flammable materials should not be hung from the fireplace, or placed near the fireplace.
- Any guard or other protective device removed for servicing the fireplace must be replaced prior to operating the fireplace.
- If there are local codes that apply to portable gas fireplaces, you will have to conform to them. If there are no local codes, you must conform to the latest edition of the National Fuel Gas Code: ANSI Z 223.1/NFPA 54, or CAN/CGA-B149.1, Natural Gas and Propane Installation Code.
- The fireplace and its individual shutoff valve must be disconnected from the gas supply piping system during any pressure testing of that system at test pressures in excess of 1/2 psi (3.5kPa).
- The fireplace must be isolated from the gas supply piping system by closing its individual manual shutoff valve during any pressure testing of the gas supply piping system at test pressures equal to or less than 1/2 psi (3.5 kPa).
- The pressure regulator supplied with the Weber® gas fireplace must be used. This regulator is set for 4 inches of water column (pressure).
- This Weber® gas fireplace is designed for use with natural gas only. Do not use with LP (Liquid Propane) gas. The valves, orifices, hose and regulator are for NG gas only.

©2003 The following trademarks are registered in the name of Weber-Stephen Products Co., an Illinois corporation, located at 200 East Daniels Road, Palatine, Illinois 60067 U.S.A.: Australia; Smokey Joe, Weber, Kettle Silhouette®, Genesis, Austria; Kettle Silhouette®, Smokey Joe, Weber, Benelux; Kettle Silhouette®, Smokey Joe, Weber, Compact Grill Configuration, Botswana; Weber, Canada; Smokey Joe, Genesis, China; Kettle Silhouette®, Denmark; Kettle Silhouette®, Smokey Joe, Weber, Finland; Smokey Joe, France; Kettle Silhouette®, Smokey Joe, Weber, One-Touch, Germany; Smokey Joe, Weber, One-Touch, Greece; Smokey Joe, Ireland; Kettle Silhouette®, Smokey Joe, Italy; Smokey Joe, Weber, Japan; Smokey Joe, Weber, Korea; Smokey Joe, Weber, New Zealand; Weber, Smokey Joe, Nigeria; Weber, Norway; Smokey Joe, Weber, Portugal; Weber, South Africa; Smokey Joe, Weber, Kettle Configuration, Spain; Smokey Joe, Weber, Sweden; Kettle Silhouette®, Smokey Joe, Switzerland; Kettle Silhouette®, Smokey Joe, Weber, United Kingdom; Smokey Joe, Weber, Weber One-Touch, U.S.A.; Kettle Configuration, Kettle Silhouette®, Smokey Joe, Weber, One-Touch, Firespice, Go-Anywhere, U.S.A.; Kettle Configuration, Kettle Silhouette, Genesis, Flavorizer, Crossover, Flango, Performer, Rapidfire, Tuck 'N Carry, Jumbo Joe, Bar-B-Kettle, Master-Touch, Spirit, Grill Out, Summit, Platinum, 1-800-Grill-Out, Ranch, Matchless Flame, Zimbabwe; Weber, Kettle Configuration, Kettle Silhouette®.

# 4

## GENERAL INSTRUCTIONS

⚠ **Use of this Weber® fireplace with LP (Liquid Propane) will void all product warranty and can result in a fire or explosion, which can cause serious bodily injury, death, and damage to property.**

- Do not use with charcoal fuel or any other solid fuel.
- Check that the burner ports are free from debris that might obstruct the flow of combustion or ventilation air.
- The areas around the natural gas supply must be free and clear from debris.
- Replacement pressure regulators and hose assemblies must be those specified by the outdoor gas appliance manufacturer.

### FOR INSTALLATION IN CANADA

These instructions, while generally acceptable, do not necessarily comply with the Canadian Installation codes, particularly with piping above and below ground. In Canada the installation of this appliance must comply with local codes and/or Standard CAN/CGA-B149.2 (Installation Code for Propane Burning Appliances and Equipment).

### OPERATING

- ⚠ **WARNING: Only use this fireplace outdoors in a well-ventilated area. Do not use in a garage, building, breezeway, gazebo or any other enclosed area.**
- ⚠ **WARNING: Your Weber® gas fireplace shall not be used under overhead combustible construction.**
- ⚠ **WARNING: Do not use the fireplace within 24 inches of combustible materials, top, back or sides of the fireplace.**
- ⚠ **WARNING: The upper portion of the fireplace gets hot when in use. Do not leave unattended.**
- ⚠ **WARNING: Keep any electrical supply cord and the fuel supply hose away from any heated surface.**
- ⚠ **WARNING: Keep the burner area clear of flammable vapors and liquids such as gasoline, alcohol, etc., and combustible materials.**

### STORAGE AND/OR NON USE

- The gas must be turned off at the natural gas supply when the Weber® gas fireplace is not in use.
- When the Weber® gas fireplace is stored indoors, the gas supply must be DISCONNECTED.
- The Weber® gas fireplace should be checked for gas leaks and any obstructions in the burner tube before using. (See Sections: "Gas Instructions and Operating Instructions.")
- Check that the burner ports are free from debris that might obstruct the flow of combustion or ventilation air.
- The Spider /Insect Screen should also be checked for any obstructions. (See Section: "Maintenance.")

### CLEANING

⚠ **WARNING: Turn your Weber® gas fireplace OFF and wait for it to cool before cleaning.**

For availability of replacement parts contact the Customer Service Representative in your area using the contact information on our web site. Log onto [www.weber.com](http://www.weber.com)®.

**Outside surfaces** - Use a warm soapy water solution to clean, then rinse with water.

**Logs** - To clean soot off of the logs, remove them from fireplace and rinse with a garden hose.

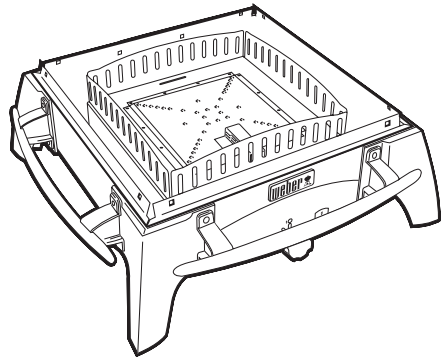
*Note: Normal burning pattern will develop light soot on log set. If heavy sooting occurs, refer to troubleshooting.*

**Do not use cleaners that contain acid, mineral spirits or xylene. Rinse well after cleaning.**

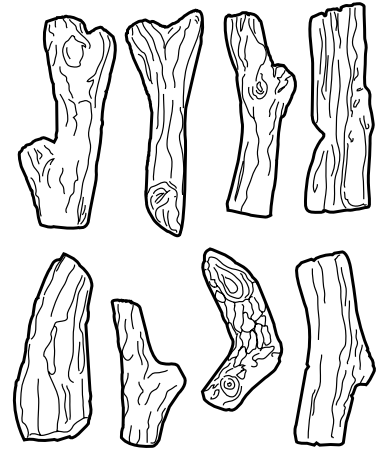
# PARTS LIST

# 5

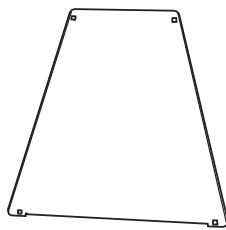
**BASE - 1**



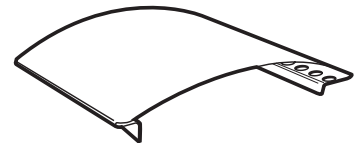
**CERAMIC LOGS - 8**



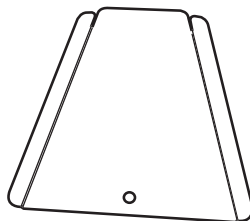
**BACK PANEL - 1**



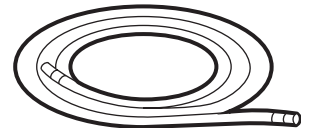
**HOOD VENT - 1**



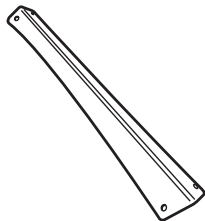
**RAIN SHIELD - 3**



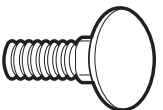
**HOSE - 1**



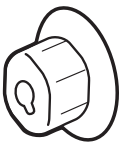
**HOOD VENT SUPPORT - 4**



**1/4 - 20 1/2" CARRIAGE BOLT - 16**



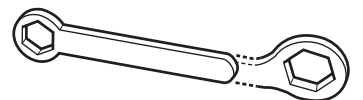
**1/4 - 20 1/2" NUT - 16**



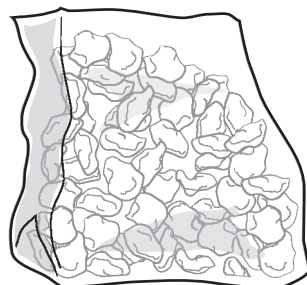
**SUPPORT BRACKET - 3**



**7/16" (11 MM) WRENCH - 1**

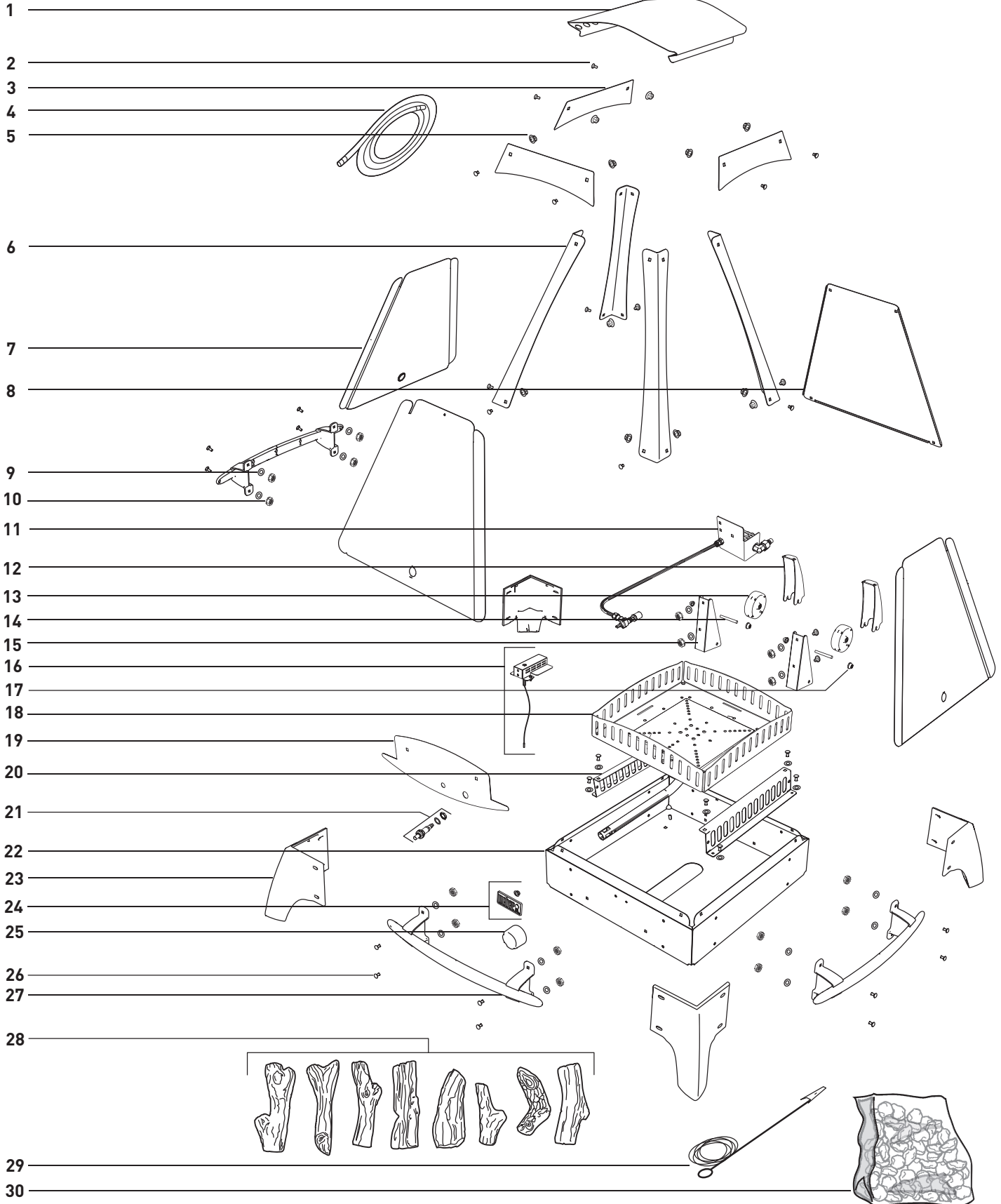


**LAVA ROCKS**



# 6

# EXPLODED VIEW



# EXPLODED VIEW LIST

# 7

1. HOOD VENT
2. 1/4 - 20 X 1/2" CARRIAGE BOLT
3. SUPPORT BRACKET
4. QUICK-DISCONNECT HOSE
5. 1/4 - 20 X 1/2" NUT
6. HOOD VENT SUPPORT
7. RAIN SHIELD
8. REAR PANEL
9. WASHER
10. 1/4 - 20 X 1/2" KEPS NUT
11. GAS TRAIN ASSEMBLY
12. WHEEL COVER
13. WHEEL
14. AXLE
15. WHEEL BRACKET
16. IGNITER BOX ASSEMBLY
17. HUBCAP
18. BURNER PLATE
19. CONTROL PANEL
20. BURNER PLATE LEG
21. FIREBOX
22. LEG
23. NAMEPLATE ASSEMBLY
24. IGNITER ASSEMBLY
25. CONTROL KNOB
26. 1/4 - 20 1/2"  
CARRIAGE BOLT
27. FIREBOX HANDLE
28. CERAMIC LOGS
29. MATCHLIGHT HOLDER
30. LAVA ROCKS

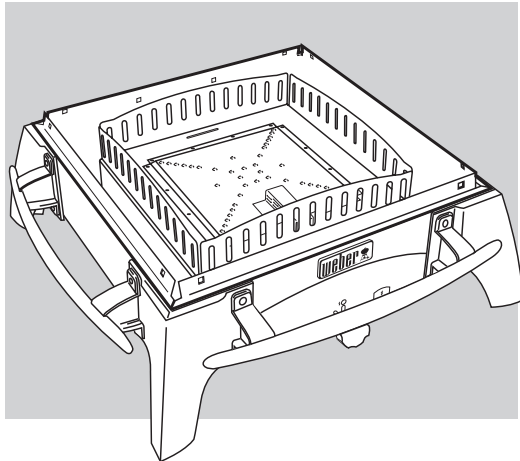
# 8

# ASSEMBLY

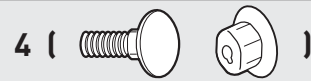
1



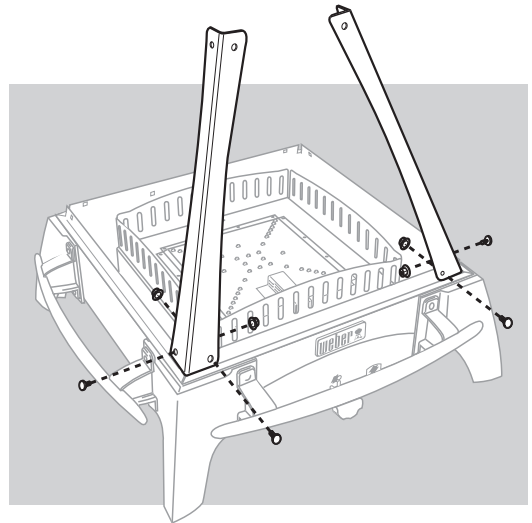
**Assembly: Consumer - 40 Minutes.**  
*\*Professional - 30 Minutes.*



2



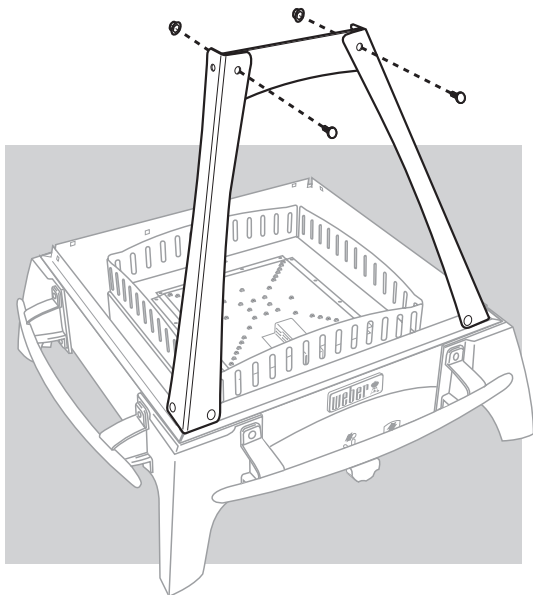
**⚠ Hand tighten only.**



3



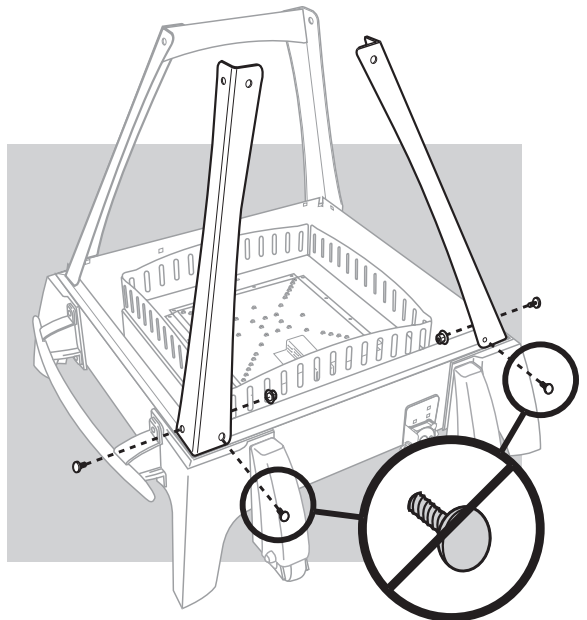
**⚠ Hand tighten only.**



4



**⚠ Hand tighten only.**

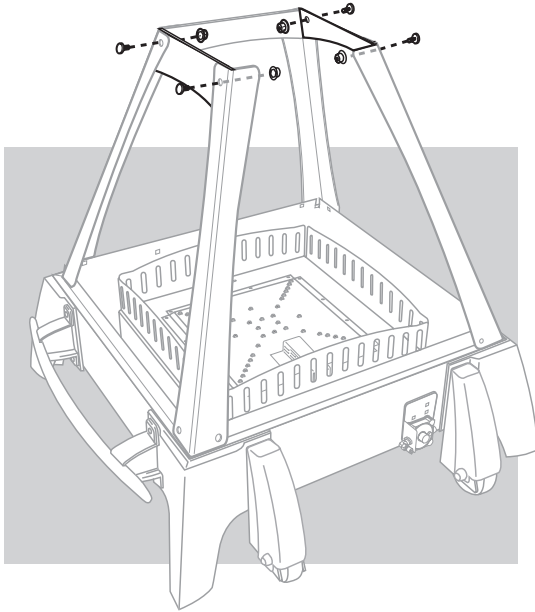




5

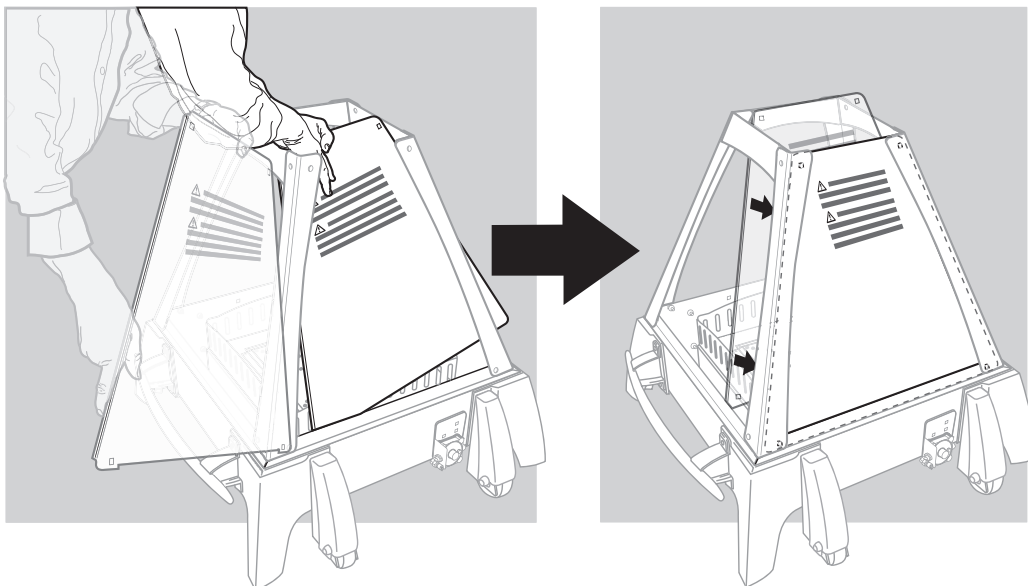
4 (  )

 Hand tighten only.



6

Warning text on panel faces outward.



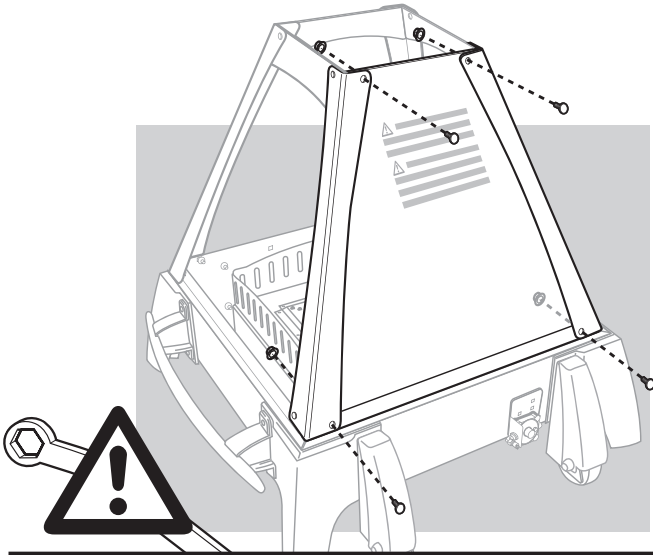
# 10

## ASSEMBLY

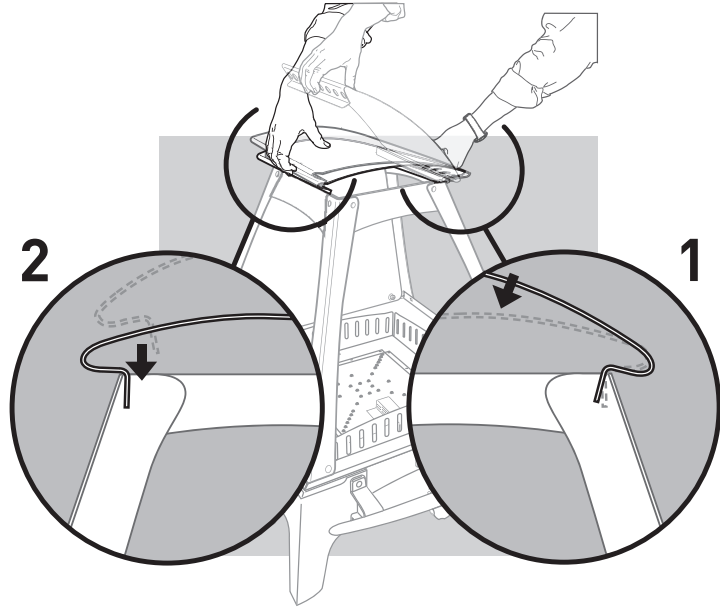
7



8

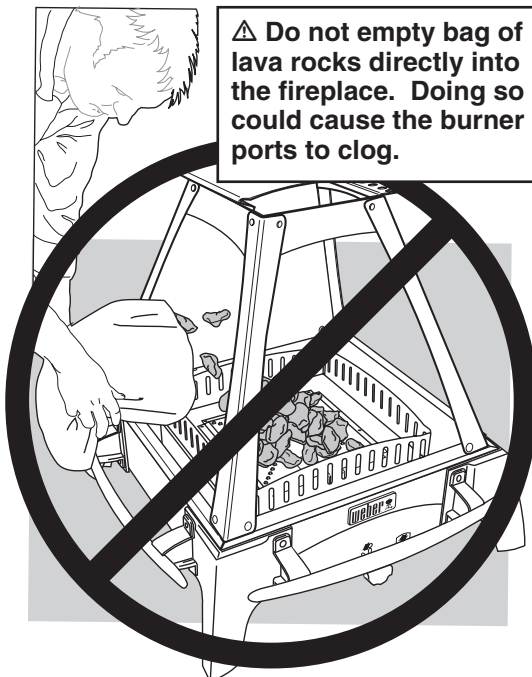


⚠ Wrench tighten ALL nuts at this time.



9

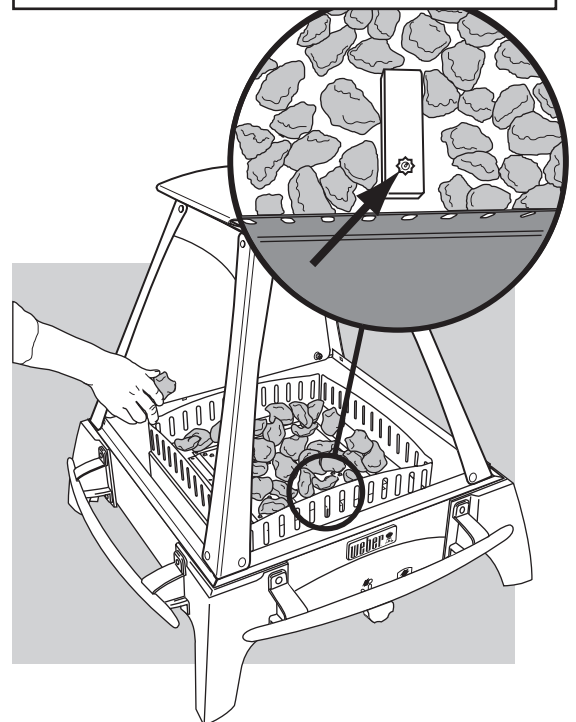
⚠ Empty lava rocks onto cardboard packing. Remove small debris.



⚠ Do not empty bag of lava rocks directly into the fireplace. Doing so could cause the burner ports to clog.

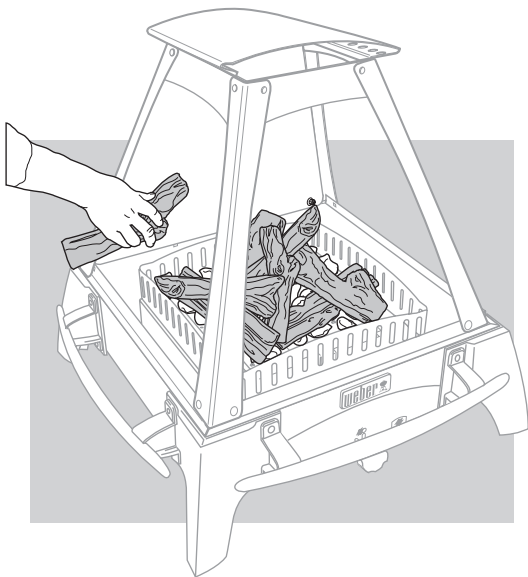
10

⚠ Do not obstruct ignition box.



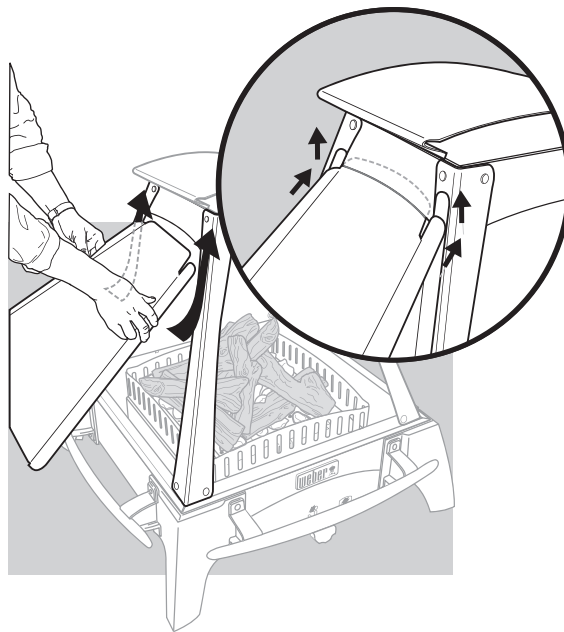
11

Place ceramic logs in fireplace.  
⚠ NEVER burn real logs in fireplace.

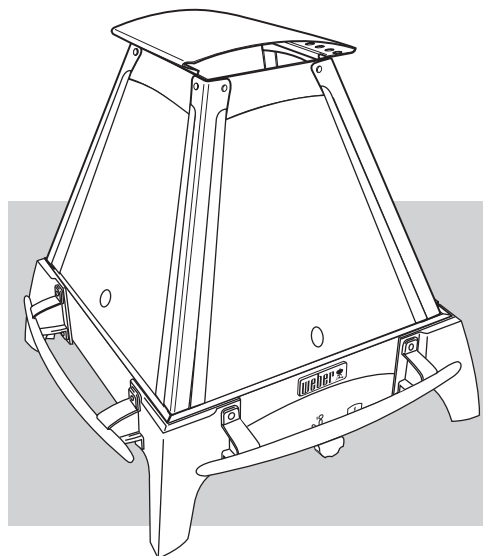


12

Always attach rain shields when not in use and for storage.



13



**⚠ DANGER**

Do not operate fireplace until ALL rain shields have been removed. Failure to do so could result in a fire or explosion which can cause serious bodily injury or death, and damage to property.

**INSTALL GAS SUPPLY****General Specifications for Piping**

**Note - Contact your local municipality for building codes regulating outdoor gas fireplace installations.**

- Refer to AS5601 gas installations for piping and hose requirements.
- Refer to AS5601/AG 601, local authority, gas, electric, and other relevant statutory regulations for use and installation.
- **WE RECOMMEND THAT THIS INSTALLATION BE DONE BY A PROFESSIONAL.**

Some of the following are general requirements taken from the latest edition of the National Fuel Gas Code: ANSI Z 223.1/NFPA 54, or CAN/CGA-B149.1, see Natural Gas and Propane Installation Code for complete specifications.

- This fireplace is designed to operate at 4 inches of water column pressure (.2526 psi).
- The maximum inlet gas pressure for this fireplace is 7 inches of water column pressure.
- A manual shut-off valve must be installed outdoors, immediately ahead of the quick disconnect.
- An additional manual shut-off valve indoors should be installed in the branch fuel line in an accessible location near the supply line.
- The quick disconnect connects to a 3/8 inch NPT thread from the gas source. The quick disconnect fitting is a hand-operated device that automatically shuts OFF the flow of gas from the source when the fireplace is disconnected.
- The quick disconnect fitting can be installed horizontally, or pointing downward. Installing the fitting with the open end pointing upward can result in collecting water and debris.
- The dust covers (supplied plastic plugs) help keep the open ends of the quick disconnect fitting clean while disconnected.
- Pipe compound should be used which is resistant to the action of natural gas when connections are made.
- The outdoor connector must be firmly attached to rigid, permanent construction.

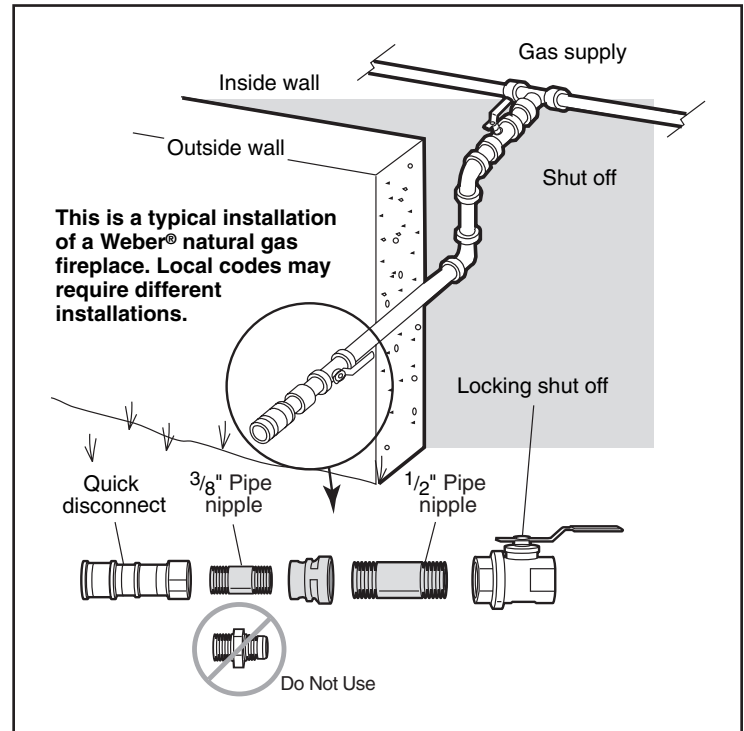
**⚠ WARNING: Do not route the 10 foot hose under a deck. The hose must be visible.**

**Gas Line Piping**

- If the length of the line required does not exceed 50 feet, use a 5/8" O.D. tube. One size larger should be used for lengths greater than 50 feet.
- Gas piping may be copper tubing, type K or L; polyethylene plastic tube, with a minimum wall thickness of .062 inch; or standard weight (schedule 40) steel or wrought iron pipe.
- Copper tubing must be tin-lined if the gas contains more than 0.3 grams of hydrogen sulfide per 100 cubic feet of gas.
- Plastic tubing is suitable only for outdoor, underground use.
- Gas piping in contact with earth, or any other material which may corrode the piping, must be protected against corrosion in an approved manner.
- Underground piping must have a minimum of 18" cover.
- Installation and repair should be done by a qualified service person. The fireplace should be inspected before use and at least annually by a qualified service person. More frequent cleaning may be required as necessary. It is imperative that control compartment, burners and circulating air passageways of the fireplace be kept clean.

**Test Connections**

All connections and joints must be thoroughly tested for leaks in accordance with local codes and all listed procedures in the latest edition of **the** National Fuel Gas Code: ANSI Z 223.1/NFPA 54, or CAN/CGA-B149.1.



**⚠ DANGER**

Do not use an open flame to check for gas leaks. Be sure there are no sparks or open flames in the area while you check for gas leaks. This will result in a fire or explosion which can cause serious bodily injury or death and damage to property.

**CHECK THAT THE BURNER VALVE IS OFF**

Valve is shipped in the OFF position, but you should check to be sure that it is turned OFF. Check by pushing down and turning clockwise. If it does not turn, it is off. Proceed to the next step. If it does turn continue turning it clockwise until it stops, then it is off. Proceed to the next step.

**CONNECT GAS SUPPLY**

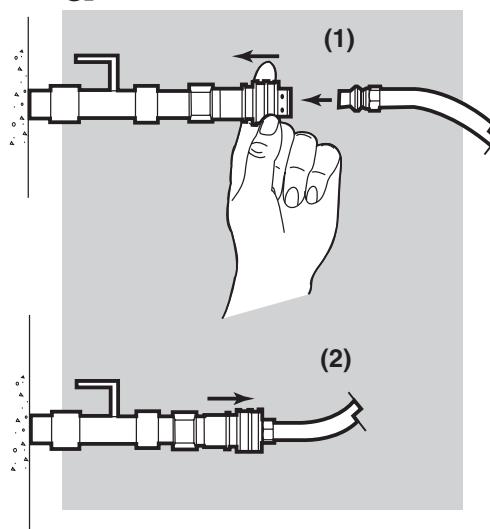
**a) To connect gas hose at the supply:** Slide back the collar of the quick disconnect. Push male fitting of the hose into the quick disconnect, and maintain pressure(1). Slide the collar closed(2). If it does not engage or lock, repeat procedure.

**b) To connect gas hose at the Fireplace:** Slide back the collar of the quick disconnect. Push male fitting of the fireplace connection into the quick disconnect, and maintain pressure(1). Slide the collar closed(2). If it does not engage or lock, repeat procedure.

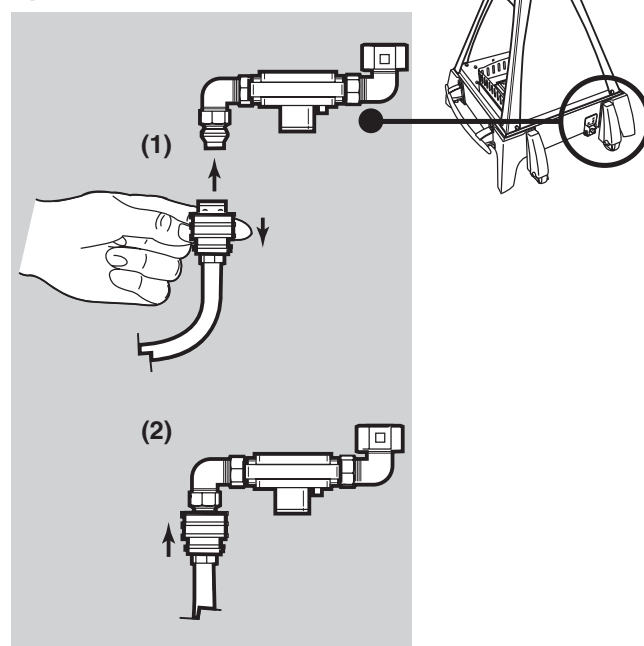
Gas will not flow unless the quick disconnect is properly engaged.

**⚠ WARNING:** Make sure that the gas supply hose is positioned so as to avoid damage from foot traffic or other accidental damage.

**a SIDE VIEW**



**b TOP VIEW**



## CHECK FOR GAS LEAKS

**⚠ DANGER**

Do not use an open flame to check for gas leaks. Be sure there are no sparks or open flames in the area while you check for leaks. Sparks or open flames will result in a fire or explosion which can cause serious bodily injury or death and damage to property.

**⚠ WARNING: You should check for gas leaks every time you disconnect and reconnect a gas fitting.**

*Note - All factory-made connections have been thoroughly checked for gas leaks. The burner has been flame-tested. As a safety precaution however, you should recheck all fittings for leaks before using your Weber® gas fireplace. Shipping and handling may loosen or damage a gas fitting.*

**⚠ WARNING: Perform these leak checks even if your fireplace was dealer or store assembled.**

*You will need: a soap and water solution, and a rag or brush to apply it.*

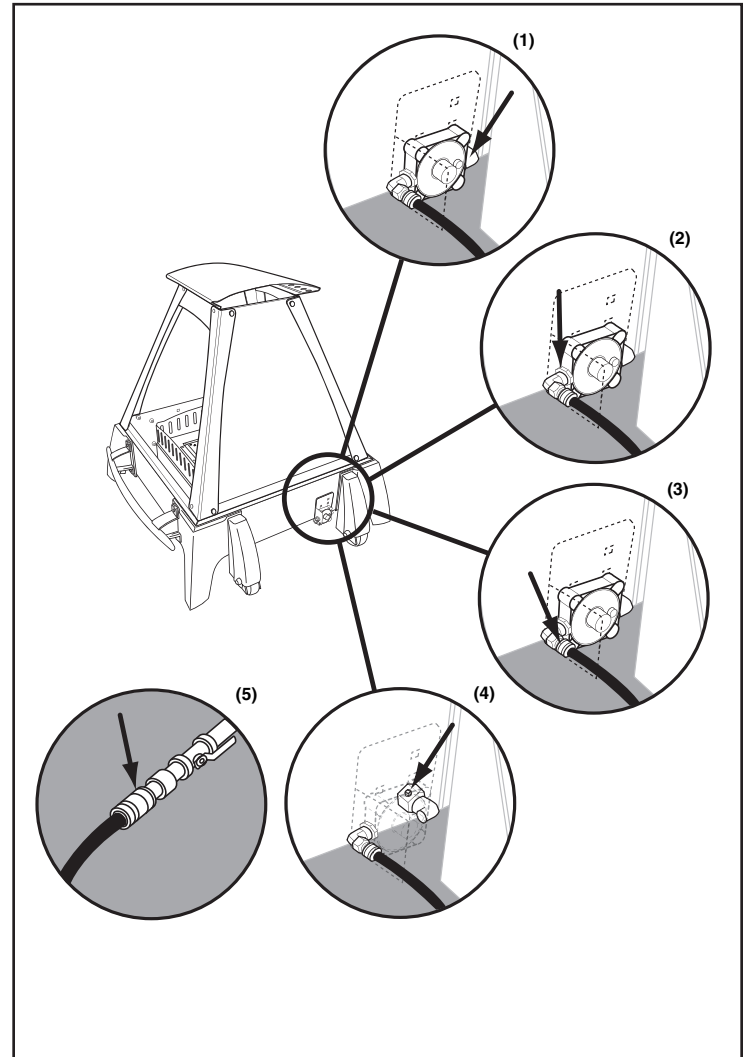
To perform leak checks: Slide back the collar of the quick disconnect. Push male fitting of the hose into the quick disconnect, and maintain pressure(1). Slide the collar closed(2). If it does not engage or lock, repeat procedure. Gas will not flow unless the quick disconnect is properly engaged.

Turn on gas supply.

Check for leaks by wetting the connections with the soap and water solution and watching for bubbles. If bubbles form or if a bubble grows, there is a leak.

*Note - Since some leak test solutions, including soap and water, may be slightly corrosive, all connections should be rinsed with water after checking for leaks.*

**⚠ WARNING: Do not ignite burner when leak checking.**



**Check:**

- 1) Bulkhead fitting-to-Regulator connection.
- ⚠ **WARNING: If there is a leak at connections (1), turn OFF the gas. DO NOT OPERATE THE FIREPLACE. Contact the Customer Service Representative in your area using the contact information on our web site. Log onto [www.weber.com](http://www.weber.com).**
- 2) Regulator-to-Quick disconnect fitting.
- 3) Fitting-to-quick disconnect connection.
- 4) Test point fitting
- ⚠ **WARNING: The test point fitting should only be loosened or removed by an authorized service person.**
- 5) Quick disconnect-to-supply connection.
- ⚠ **WARNING: If there is a leak at connection (2), (3), (4) or (5), retighten the fitting by hand. Make sure the quick disconnect fittings are properly seated. Recheck for leaks with soap and water solution. If a leak persists after these measures, turn OFF the gas. DO NOT OPERATE THE FIREPLACE. Contact the Customer Service Representative in your area using the contact information on our web site. Log onto [www.weber.com](http://www.weber.com).**

When leak checks are complete, turn gas supply OFF at the source and rinse connections with water.

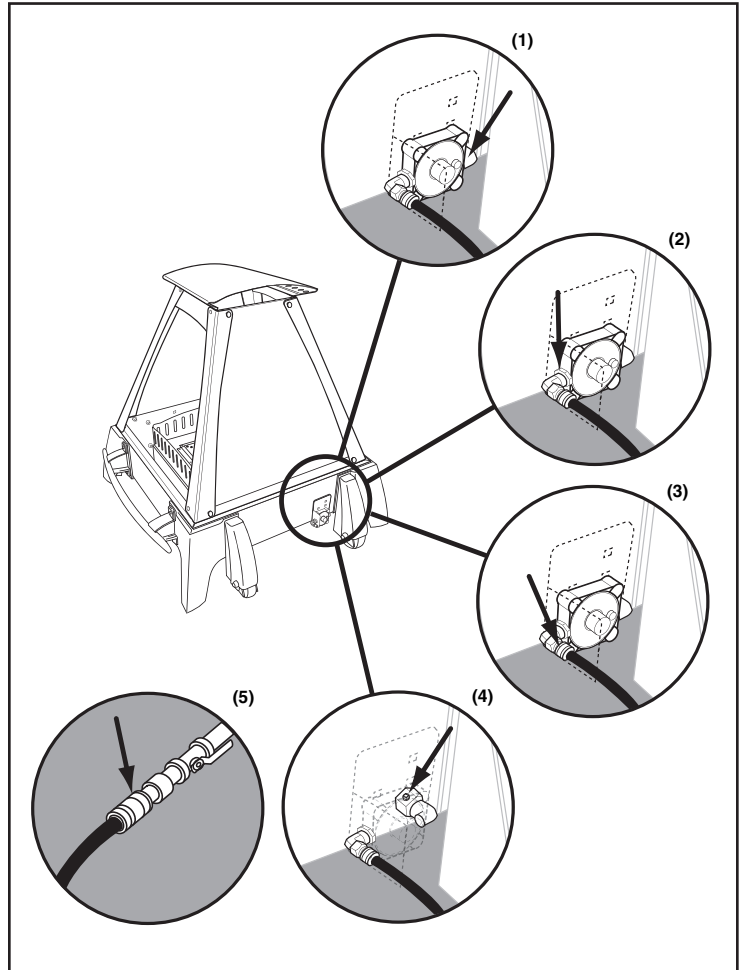


Table 10-1		Maximum Capacity of Pipe in Cubic Feet of Gas per Hour for Gas Pressures of 0.5 psi or Less and a Pressure Drop of 0.3 Inch Water Column. (Based on a 0.60 Specific Gravity Gas)													
Nominal Iron Pipe Size (Inches)	Internal Diameter (Inches)	Length of Pipe (Feet)													
		10	20	30	40	50	60	70	80	90	100	125	150	175	200
1/4	.364	32	22	18	15	14	12	11	11	10	9	8	8	7	6
3/8	.493	72	49	40	34	30	27	25	23	22	21	18	17	15	14
1/2	.622	132	92	73	63	56	50	46	43	40	38	34	31	28	26
3/4	.824	278	190	152	130	115	105	96	90	84	79	72	64	59	55
1	1.049	520	350	285	245	215	195	180	170	160	150	130	120	110	100
1 1/4	1.380	1050	730	590	500	440	400	370	350	320	305	275	250	225	210
1 1/2	1.160	1600	1100	890	760	670	610	560	530	490	460	410	380	350	320
2	2.067	3050	2100	1650	1450	1270	1150	1050	990	930	870	780	710	650	610
2 1/2	2.469	4800	3300	2700	2300	2000	1850	1700	1600	1500	1400	1250	1130	1050	980
3	3.068	8500	5900	4700	4100	3600	3250	3000	2800	2600	2500	2200	2000	1850	1700
4	4.026	17500	12000	9700	8300	7400	6800	6200	5800	5400	5100	4500	4100	3800	3500

© 1997 National Fire Protection Association, Inc., and International Approval Services - U.S., Inc. All Rights Reserved.

# 16

# OPERATING INSTRUCTIONS

## LIGHTING

Summary lighting instructions are on the control panel.

**⚠ WARNING:** Check hose before each use of fireplace for nicks, cracking, abrasions or cuts. If the hose is found to be damaged in any way, do not use the fireplace. Replace using only Weber® authorized replacement hose. Contact the Customer Service Representative in your area using the contact information on our web site. Log onto [www.weber.com](http://www.weber.com).

- 1) Remove rain shields.

### **⚠ DANGER**

Failure to remove rain shields while igniting the fireplace's burners, or not waiting 5 minutes to allow the gas to clear if the fireplace does not light, may result in an explosive flame-up which can cause serious bodily injury or death and damage to property.

- 2) Make sure the burner control knob is turned OFF. (Push control knob down and turn clockwise to ensure that it is in the OFF position.)
- 3) Turn the gas supply valve on.

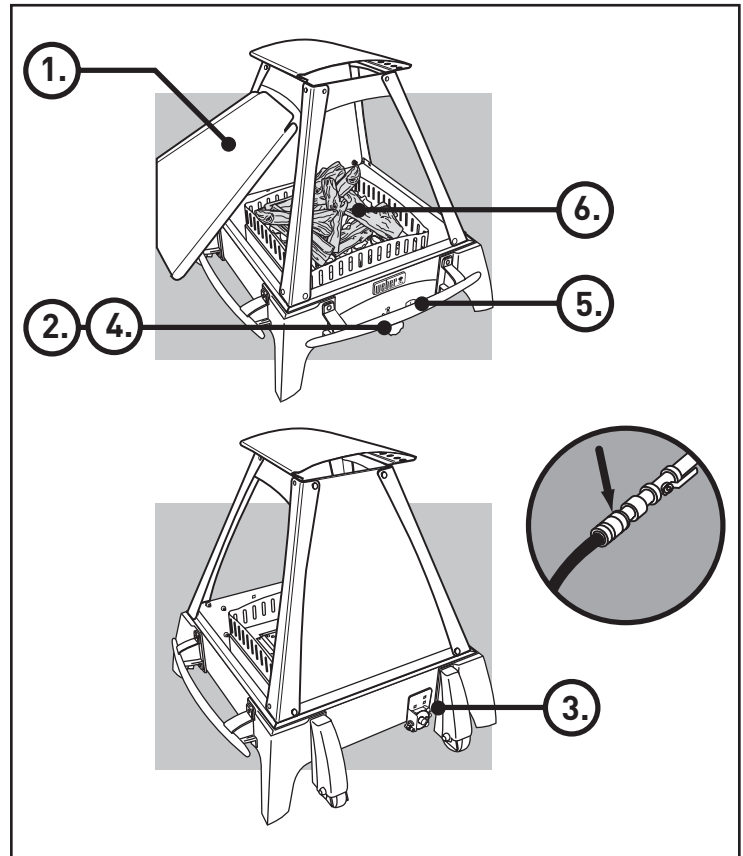
**⚠ WARNING:** Do not lean over the open fireplace. Keep your face and body at least one foot away from the logs when lighting the fireplace. Leaning over a lit fireplace could cause damage to body and personal property.

- 4) Push burner control knob in and turn counter-clockwise to START/HI.
- 5) Push in igniter several times, until burner is lit.
- 6) Check that the burner is lit.

### **⚠ WARNING:**

If the burner does not light, turn the burner control knob to OFF and wait 5 minutes to let the gas clear before you try again or try to light with a match. Failure to comply with these measures could result in an explosive flame-up which can cause serious bodily injury or death and damage to property.

*Note: Normal burning pattern will develop light soot on log set. If heavy sooting occurs, refer to troubleshooting.*



## TO EXTINGUISH

Push in the burner control knob and turn clockwise to the OFF position. Turn gas supply OFF at the source. When unit has cooled, replace rain shields.

### **⚠ WARNING**

Inspect the burner before each use of the fireplace. If it is evident that the burner is damaged in any way, it must be replaced with a burner specified by the manufacturer prior to the fireplace being turned on. Failure to comply with these measures could result in an explosive flame-up which can cause serious bodily injury or death and damage to property.



## MANUAL LIGHTING

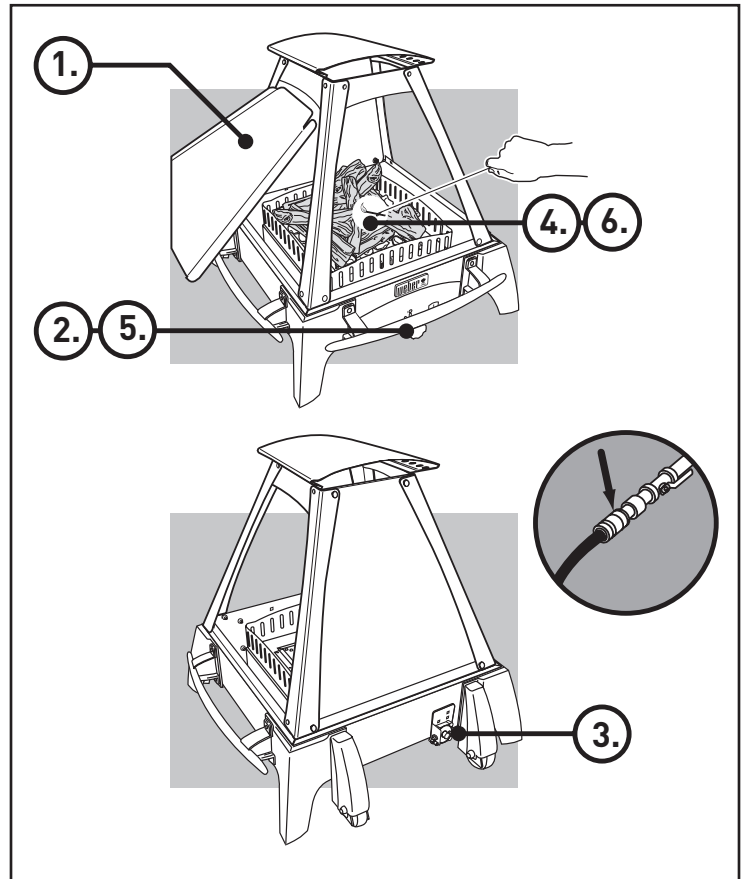
- 1) Remove rain shields.

### ⚠ DANGER

Failure to remove rain shields while igniting the fireplace's burners, or not waiting 5 minutes to allow the gas to clear if the fireplace does not light, may result in an explosive flame-up which can cause serious bodily injury or death.

- 2) Make sure the burner control knob is turned OFF. (Push control knob down and turn clockwise to ensure that it is in the OFF position.)
  - 3) Turn the gas supply valve on.
- ⚠ **WARNING: Do not lean over the open fireplace. Keep your face and body at least one foot away from the logs when lighting the fireplace.**
- 4) Insert match holder with lit match near the center of the burner area.
  - 5) Push in igniter several times, until burner is lit.
  - 6) Check that the burner is lit.
- ⚠ **WARNING: If the burner does not light, turn the burner control knob to OFF and wait 5 minutes to let the gas clear before you try again or try to light with a match.**

*Note: Normal burning pattern will develop light soot on log set. If heavy sooting occurs, refer to troubleshooting.*



## TO EXTINGUISH

Push in the burner control knob and turn clockwise to the OFF position. Turn gas supply OFF at the source. When unit has cooled, replace rain shields.

# 18

## TROUBLESHOOTING

PROBLEM	CHECK	CURE
<b>Burner burns with a dark orange flame, in conjunction with heavy sooting.</b>	Inspect Spider / Insect Screen for possible obstructions. (Blockage of holes.)	Clean Spider / Insect Screen. (See Section "Annual Maintenance")
<b>Burner does not light, or flame is low in HIGH position.</b>	Is fuel hose bent or kinked?	Straighten fuel hose.
	Is igniter functioning properly?	Replace igniter (see contact info. below).
	Is the igniter box blocked?	Remove obstructions from igniter box (see pg. 10, Step 11 of "Assembly" Section).
<b>Burner flame pattern is erratic. Flame is low when burner is on HIGH. Flames do not ignite all burner holes.</b>	Are burner holes blocked?	Clean burner holes. (See Maintenance Section.)
<b>If problems cannot be corrected by using these methods, please contact the Customer Service Representative in your area using the contact information on our web site. Log onto <a href="http://www.weber.com">www.weber.com</a>®.</b>		

## WEBER® SPIDER / INSECT SCREEN

Your Weber® gas fireplace, as well as any outdoor gas appliance, is a target for spiders and other insects. They can nest in the venturi section (1) of the burner tube. This blocks the normal gas flow, and can cause the gas to flow back out of the air shutter. This could result in a fire, causing serious damage to your fireplace.

**Thus, it is imperative that control compartment, burners and air vents of the appliance be kept clean.**

The burner tube air shutter is fitted with a stainless steel screen (1) to prevent spiders and other insects access to the burner tube through the air shutter openings.

**We recommend that you inspect the Spider/Insect screen at least once a year. (See Section "Annual Maintenance".) Also inspect and clean the Spider/Insect screen if any of the following symptoms should ever occur:**

- 1) The smell of gas in conjunction with the burner flame appearing yellow and lazy.
- 2) Burner does not ignite.

### ⚠ DANGER

**Failure to correct the above mentioned symptoms may result in a fire, which can cause serious bodily injury or death, and cause damage to property.**

## ANNUAL MAINTENANCE

### Inspection and cleaning of the Spider/Insect screen

Brush the spider/insect screen, lightly, with a soft bristle brush (i.e. an old toothbrush).

**⚠ CAUTION: Do not clean the spider/insect screen with hard or sharp tools. Do not dislodge the spider/insect screen or enlarge the screen opening.**

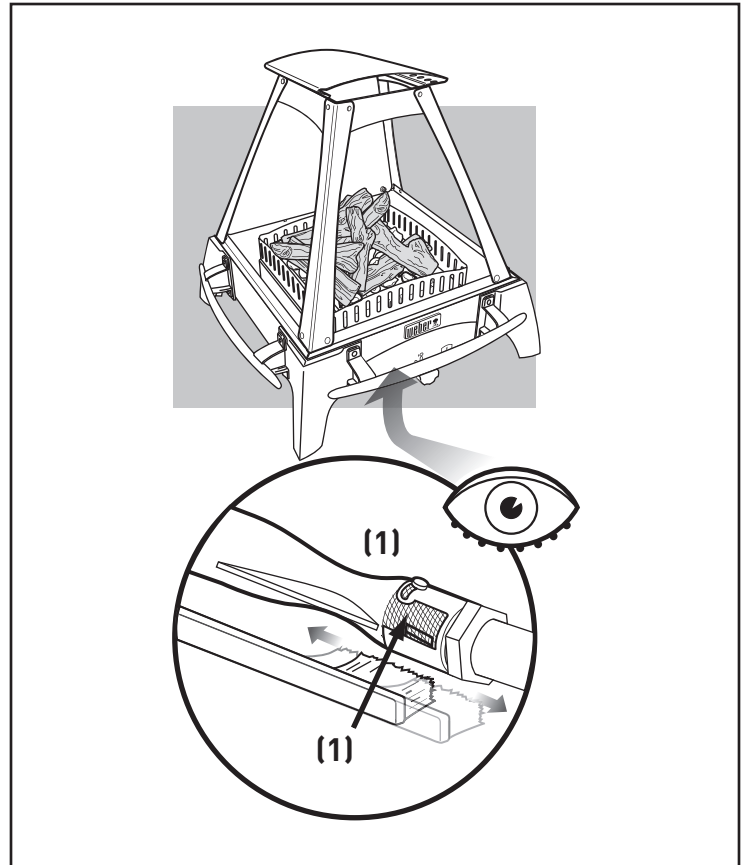
If the spider/insect screen becomes damaged or cannot be cleaned, call Weber-Stephen Products Customer Service for replacement parts.

## MAIN BURNER CLEANING PROCEDURE

**Turn off the gas supply.**

- 1) Remove rain shields.
- 2) Remove logs and lava rocks.
- 3) Examine burner holes for blockage.
- 4) Use a soft bristle brush to remove leaves or other debris.

**⚠ CAUTION: Do not enlarge the burner holes when cleaning.**



**MAIN BURNER FLAME PATTERN**

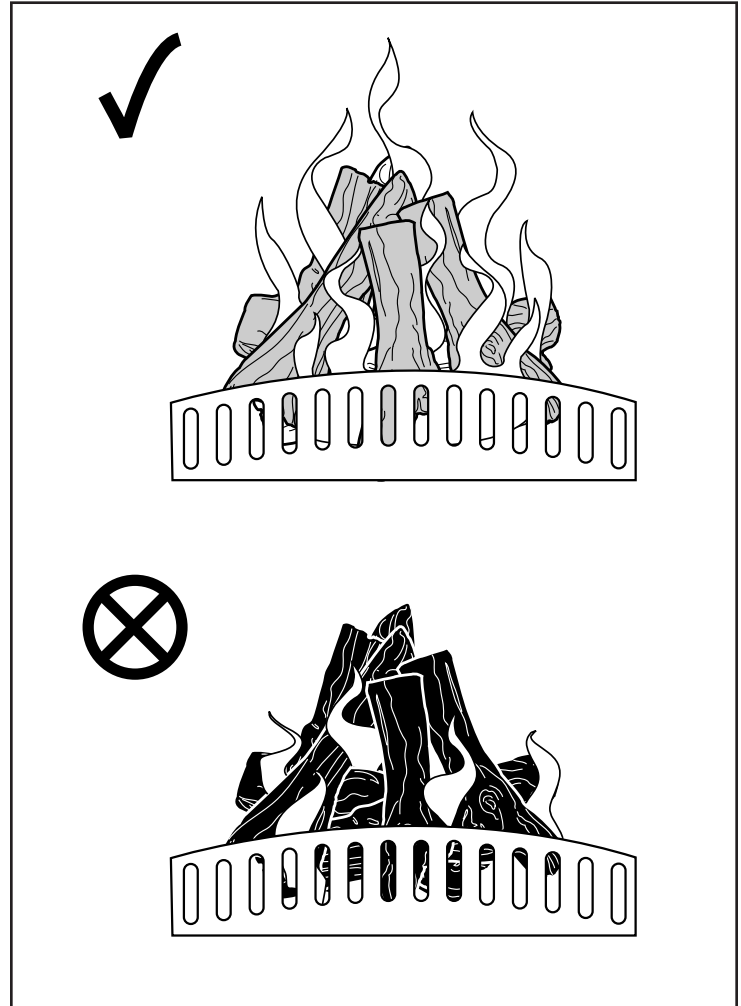
The Weber® gas fireplace burner has been factory set for the correct air and gas mixture. A correct flame pattern is:

- A yellow to light-orange flame

An incorrect flame pattern is:

- A dark orange flame
- Smoke-producing flame

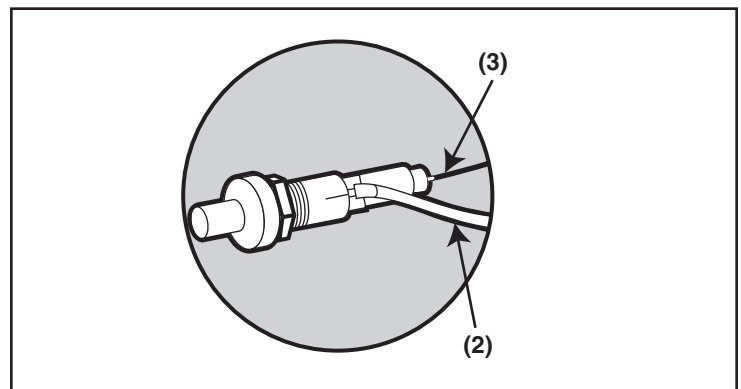
If the flames appear to be darker orange throughout the burner, sooting occurs, or smoke is produced; follow the burner and spider screen cleaning procedures.

**IGNITION SYSTEM**

If the Ignition System fails to ignite the burner, light manually. If Manual ignition is successful, then check the Ignition System.

- Check that both the white (2) and black (3) ignition wires are attached properly.
- Check that the igniter button pushes in completely and returns.
- Check to see if the igniter is loose in the frame. Tighten if necessary.

If the Ignition System still fails to ignite the burner, see Manual Lighting procedure and contact your dealer.



## Free Manuals Download Website

<http://myh66.com>

<http://usermanuals.us>

<http://www.somanuals.com>

<http://www.4manuals.cc>

<http://www.manual-lib.com>

<http://www.404manual.com>

<http://www.luxmanual.com>

<http://aubethermostatmanual.com>

Golf course search by state

<http://golfingnear.com>

Email search by domain

<http://emailbydomain.com>

Auto manuals search

<http://auto.somanuals.com>

TV manuals search

<http://tv.somanuals.com>