

prodrive[®]

GARAGE DOOR OPENER



Chain/ Belt Drive

Models: 3220C, 3221C, 3222C, 3224C, 3320B, 3322B, 3324B

3220C-Z, 3221C-Z, 3222C-Z, 3224C-Z, 3320B-Z, 3322B-Z, 3324B-Z



FOR RESIDENTIAL SECTIONAL OVERHEAD GARAGE DOORS ONLY!

DO NOT USE ON ONE PIECE DOORS!

**IMPORTANT! THE DOOR AND OPENER WILL NOT FUNCTION PROPERLY UNTIL
INFRARED SAFETY SENSORS ARE INSTALLED AND PROPERLY ADJUSTED!**

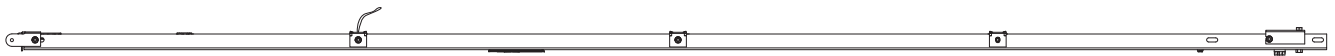
IMPORTANT NOTICE!

Read the enclosed instructions carefully before installing/operating this garage door opener. Pay close attention to all warnings and notes. This manual **MUST** be attached to the wall in close proximity to the garage door.

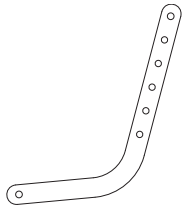
**Wayne[®]
Dalton**
GARAGE DOORS & OPENERS

Package Contents

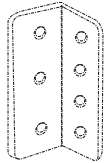
NOTE: Depending on the opener model, some parts listed may not be supplied.



Rail Assembly W/Upper Door Arm



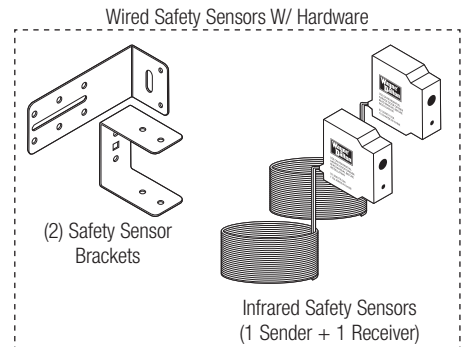
Door Arm Lower



Door Bracket



Wall Mounting Brackets



Wired Safety Sensors W/ Hardware

(2) Safety Sensor Brackets



Infrared Safety Sensors (1 Sender + 1 Receiver)



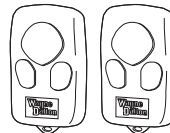
Owner's Manual



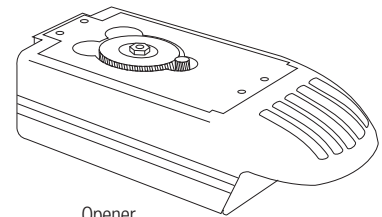
Bell Wire



Red Emergency Release Knob



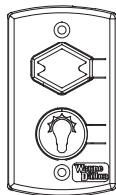
Keychain/Visor Transmitter (1 or 2)



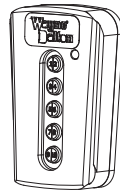
Opener



Multifunction Wall Station W/Hardware



Wired Deluxe Wall Station W/Hardware



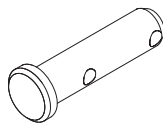
5 Button Wireless Keyless Entry W/ Hardware



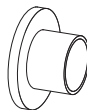
Entrapment Label



Light Diffuser



5/16" x 1-1/4" Multi Grip Clevis Pin



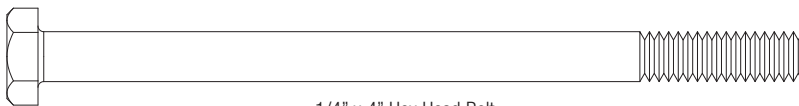
Nylon Shoulder Bushing



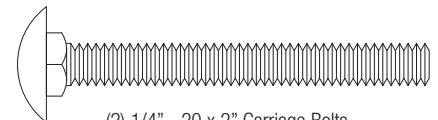
Hairpin Cotter



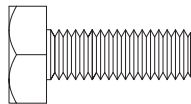
Emergency Release Tag



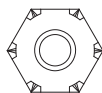
1/4" x 4" Hex Head Bolt



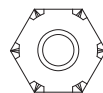
(2) 1/4" - 20 x 2" Carriage Bolts



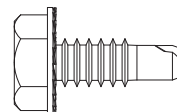
(2) 1/4" - 20 x 3/4" Machine Bolts



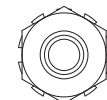
(2) 1/4" Nylock Nuts



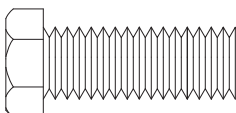
1/4" Plastic Insert Locking Nut



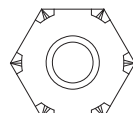
(2) 1/4" - 20 x 5/8" Self Drilling Screws



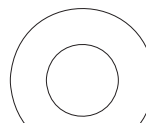
(2) 1/4" Locking Nuts



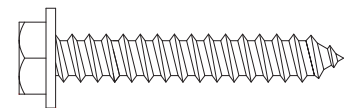
3/8" - 16 x 1" Machine Bolt



3/8" Plastic Insert Locking Nut



3/8" Flat Washer



(2) 1/4" x 1-1/2" Lag Screws

Please Do Not Return This Product To The Store. Call Us Directly! Our Trained Technicians Will Answer Your Questions and/or Ship Any Parts You May Need. You can reach us Toll Free at **1-888-827-3667** for Consumer Assistance or online at **www.wayne-dalton.com**

PRE-INSTALLATION INSPECTION OF YOUR GARAGE DOOR PRIOR TO PRODRIVE® OPENER INSTALLATION

To ensure your new Prodrive® opener works as intended, your garage door must be properly installed and balanced.

Before installing your garage door opener, open and close you door manually to ensure it operates smoothly from top to bottom. A properly balanced door should not take a lot of effort to open or close by hand. The door should stay in the open and in the closed position without drifting down or creeping up. If a door opens fast, the door may need spring tension reduced. If the door drops fast, the door may need spring tension increased.

If the door operates properly, then proceed to your Prodrive® installation manual for instructions on how to install the Prodrive® garage door opener.

If the operation of the door does not meet these requirements, adjust the spring balance per your door's installation manual or call a professional installer to make adjustments before installing Prodrive®.

Instruction manuals are available for download on www.wayne-dalton.com. Use the web site to also find the location of your nearest professional dealer.

Once the door is properly balanced and operates smoothly, you may proceed with the installation of your Prodrive® garage door opener.

Pre-Installation

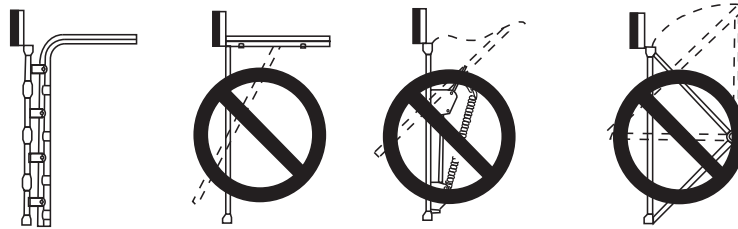
IMPORTANT! Before starting the installation read these instructions thoroughly to familiarize yourself with all aspects of installation and adjustment.

IMPORTANT: IF YOUR GARAGE HAS NO SERVICE ENTRANCE DOOR, INSTALL AN OPTIONAL OUTSIDE QUICK RELEASE LOCK. THIS ACCESSORY ALLOWS MANUAL OPERATION OF GARAGE DOOR FROM OUTSIDE IN CASE OF POWER FAILURE.

IDENTIFY YOUR DOOR

Identify your door by referring to illustrations below and verify that your door type is a sectional door with curved track. Do not install if the door is any type of one piece door.

NOTE: The opener has been designed for sectional doors. Do not attempt to install this opener on any style one piece door. Using this opener on a one-piece door may result in serious personal injury or property damage.



TEST YOUR DOOR

Before you begin, complete the following two tests to insure that the door is balanced and working properly. A door that binds, sticks or is out of balance could cause severe injury. Do not attempt to compensate for an improperly adjusted door by the installation of an opener. This will interfere with the proper operation of the opener's safety features and/or may damage the door or opener. Have a qualified service person make any needed adjustments or repairs before proceeding with installation.

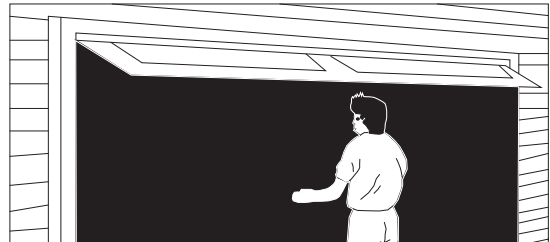
Door Test One

Raise and lower the door and check closely for any sticking or binding that may occur. Lift the door approximately half way open, as illustrated. When releasing the door, it should stay in position. If spring tension pulls the door further open or door weight pulls it down, your door is not properly adjusted.



Door Test Two

When properly installed, a door should remain clear of the opening, when allowed to rest at its natural, full open position. If "door drift" pulls door back into opening or spring tension is not sufficient to pull door totally clear of opening, the door is not properly adjusted.



PRE-ASSEMBLY CHECK

Every opener is factory tested and shipped with the limit switch adjustment in the door CLOSED position. If the opener has been powered up before assembly, perform the following steps to insure that the limit switch adjustment is in the door CLOSED position. Connect the opener to a power source and short across the screw terminals labeled "PB" and "COM" with a metal screw driver. Motor should start; run through a full OPEN cycle, (driven gear rotates clockwise) and stop. This will leave opener in OPEN position. To get the opener back to full CLOSE position, short and hold "PB" and "COM" terminals again (driven gear rotates counter clockwise). Continue to short terminals until opener stops in the CLOSED position. If the contact between "PB" and "COM" is lost, the motor will stop, reverse, and travel back to the open limit, repeat with a constant short across "PB" and "COM".

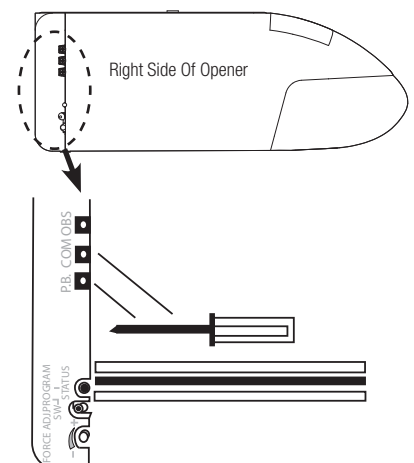
CAUTION: KEEP CLEAR OF ALL ROTATING AND MOVING PARTS.



WARNING

FAILURE TO KEEP CLEAR OF ROTATING AND MOVING PARTS CAN RESULT IN SEVERE INJURY.

Disconnect from power source and proceed to assembly.



III **Please Do Not Return This Product To The Store.** Call Us Directly! Our Trained Technicians Will Answer Your Questions and/or Ship Any Parts You May Need. You can reach us Toll Free at **1-888-827-3667** for Consumer Assistance or online at **www.wayne-dalton.com**

System Features

1. Open and Close Cycle Control:

Allows garage door to be started and stopped by push button, transmitter or wall station. The next impulse sends a stopped garage door in opposite direction.

2. Emergency Disconnect:

Manual disconnect permitting operation of door during power failure with automatic reconnect when opener is reactivated. See page 27.

3. Opener light:

Automatically turns on when opener is activated and remains on for four minutes for convenience and safety.

4. Mechanical Door Lock:

When properly adjusted, opener locks door in closed position preventing unwanted entry. See Adjustment # 3 on page 32.

5. Obstruction Warning Light:

The convenience light will flash after sensing an obstruction in the down direction and/or if the safety system malfunctions while in the open position.

6. Motor:

Permanently lubricated, thermally protected, heavy duty motor with automatic reset.

7. Safety System:

Independent up and down force adjustments. When properly adjusted, the safety system will automatically reverse the door when obstructed in down direction and return to fully open position. The door will stop when obstructed in the up direction. See Adjustment #2 on page 32.

8. Infrared Safety Sensors:

Wired infrared safety sensors detect an obstruction in door path and react by reversing door.

9. Multi-Function Wall Station:

Wired wall station provides up/down door motion control and independent overhead light on/off control. Wireless multi-function wall station provides up/down door motion control, independent overhead light on/off control, door down delay, adjustable "pet position" function, and "pet position" program button.

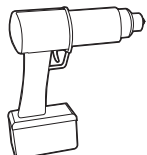
10. Homelink® Compatibility:

Opener is capable of "learning" automobile equipped Homelink® transceivers. Visit: www.homelink.com.

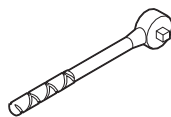
11. Rolling Code Technology:

Wireless transmitters, multi-function wall stations and wireless keyless entry use rolling code which prevent would be thieves from "grabbing" the transmitter's digital code.

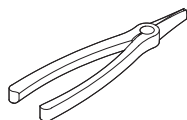
Tools Needed



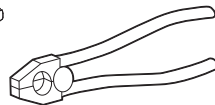
Power Drill



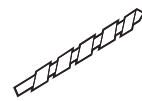
Ratchet Wrench



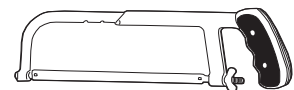
Needle Nose Pliers



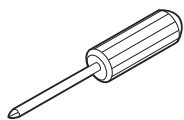
Pliers/Wire Cutters



5/64", 3/32", 1/8", 3/16"
Drill Bits



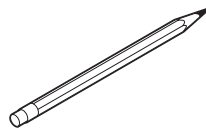
Hacksaw



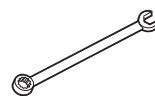
Phillips Head
Screwdriver



1/4", 3/8", 7/16",
1/2", 9/16" Sockets



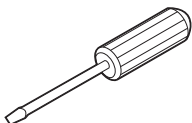
Pencil



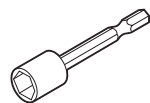
7/16" Wrench



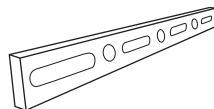
Pliers



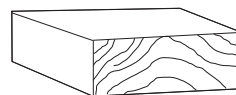
Flat Tip
Screwdriver



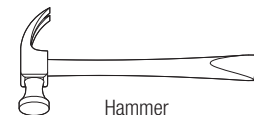
7/16" Socket Driver



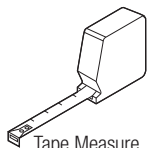
Level



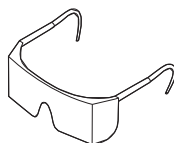
2 x 4 Board



Hammer



Tape Measure



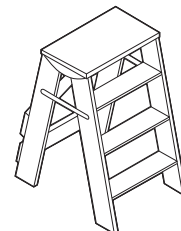
Safety Glasses



Adjustable Wrench



2 x 6 x 12 Solid Test
Object



Non-Metallic
Step Ladder

Please Do Not Return This Product To The Store. Call Us Directly! Our Trained Technicians Will Answer Your Questions and/or Ship Any Parts You May Need
You can reach us Toll Free at **1-888-827-3667** for Consumer Assistance or online at **www.wayne-dalton.com**

Table of Contents

Package Contents	I.
Pre-Installation Inspection	II, III
Tools Needed	IV.
Important Safety Instructions	V.
Prodrive ® Installation	1-5.
Pre-Operation	6-19.
Optional Installations	20-26.
Operation	27-32.
Programing Wireless Wall Station Or Transmitter(s) to Opener	33.
Maintenance	34.
Troubleshooting	35.
Parts Breakdown Rail Assembly	36.
Parts Breakdown Opener Assembly	37.
Accessories	38.
Templates	39.
Customer Service Number	40.
Warranty	41.

Definition of key words used in this manual:

WARNING

INDICATES A POTENTIALLY HAZARDOUS SITUATION WHICH, IF NOT AVOIDED, COULD RESULT IN SEVERE OR FATAL INJURY.

CAUTION: PROPERTY DAMAGE OR INJURY CAN RESULT FROM FAILURE TO FOLLOW INSTRUCTIONS.

IMPORTANT: REQUIRED STEP FOR SAFE AND PROPER OPENER OPERATION.

NOTE: Information assuring proper installation of the opener.

WARNING

INCORRECT INSTALLATION CAN LEAD TO SEVERE OR FATAL INJURY. FOLLOW THESE INSTRUCTIONS CAREFULLY.

IMPORTANT INSTALLATION INSTRUCTIONS

- 1. READ AND FOLLOW ALL INSTALLATION INSTRUCTIONS.**
2. Do not connect the opener to electrical power until instructed to do so.
3. Install the entrapment warning label next to the wall station in a prominent location. Install the emergency disconnect label on the emergency disconnect cord.
4. Remove all ropes and remove, or make inoperative in the unlocked position, all locks connected to the garage door before installing the opener.
5. Do not wear rings, watches or loose clothing when installing or servicing a garage door system.
6. It is important that you install all the components supplied with the Prodrive ® opener, i.e., wall stations, safety sensors, etc. Use of parts not supplied by Wayne-Dalton Corp. may cause the opener to malfunction and create unsafe conditions.
7. Wear protective eye wear when installing or servicing the opener or door.
8. Install opener on a properly balanced and operating garage door. Have a qualified service person make adjustments/repairs to cables, spring assemblies, and other hardware before installing the opener. An improperly balanced door could cause severe or fatal injury.
9. Where possible, install the opener seven feet or more above the floor. Mount the emergency disconnect six feet above the floor.
10. Locate the wall station: (a) within sight of door, (b) at a minimum height of five feet, so small children cannot reach it, and (c) away from all moving parts of the door.
11. After installing the opener, the door must reverse when it contacts a 1-1/2" high object (or 2 x 4 board laid flat) on the floor.
12. Installation and wiring must comply with local building and electrical codes. Connect the power cord to a properly grounded outlet. Do not remove the ground pin from power cord.
13. To reduce the risk of injury to persons, use this opener only with sectional overhead doors.
14. Top section of garage door may need to be reinforced before attaching opener. Check with your garage door manufacturer for their recommendations.
15. Do not use sensitivity adjustments to compensate for a poorly operating door. This will prevent proper operation of the safety reverse feature and may damage the door and cause possible severe or fatal injury.
16. An open door must not close and closing door must reverse and open if infrared safety sensors are obstructed by 6" high object placed on garage floor.
17. Use a sturdy, non-metallic step ladder when installing opener.

AFTER INSTALLATION IS COMPLETE, FASTEN THIS MANUAL NEAR GARAGE DOOR. PERFORM OBSTRUCTION TESTS MONTHLY AND MAINTENANCE AS RECOMMENDED. SEE PAGES 17 & 34.

V Please Do Not Return This Product To The Store. Call Us Directly! Our Trained Technicians Will Answer Your Questions and/or Ship Any Parts You May Need You can reach us Toll Free at **1-888-827-3667** for Consumer Assistance or online at **www.wayne-dalton.com**

1

Attaching Opener to Rail

Tools Needed:

3/8" Socket

Ratchet Wrench

IMPORTANT: THE DRIVER GEAR IN THE OPENER MUST BE PROPERLY ALIGNED WITH THE SPROCKET/ COUPLING COGS IN THE RAIL ASSEMBLY AND THE MOUNTING BOLTS FULLY TIGHTENED, BEFORE POWERING UP THE OPENER. NEGLECTING TO DO THIS WILL RESULT IN GEAR FAILURE.

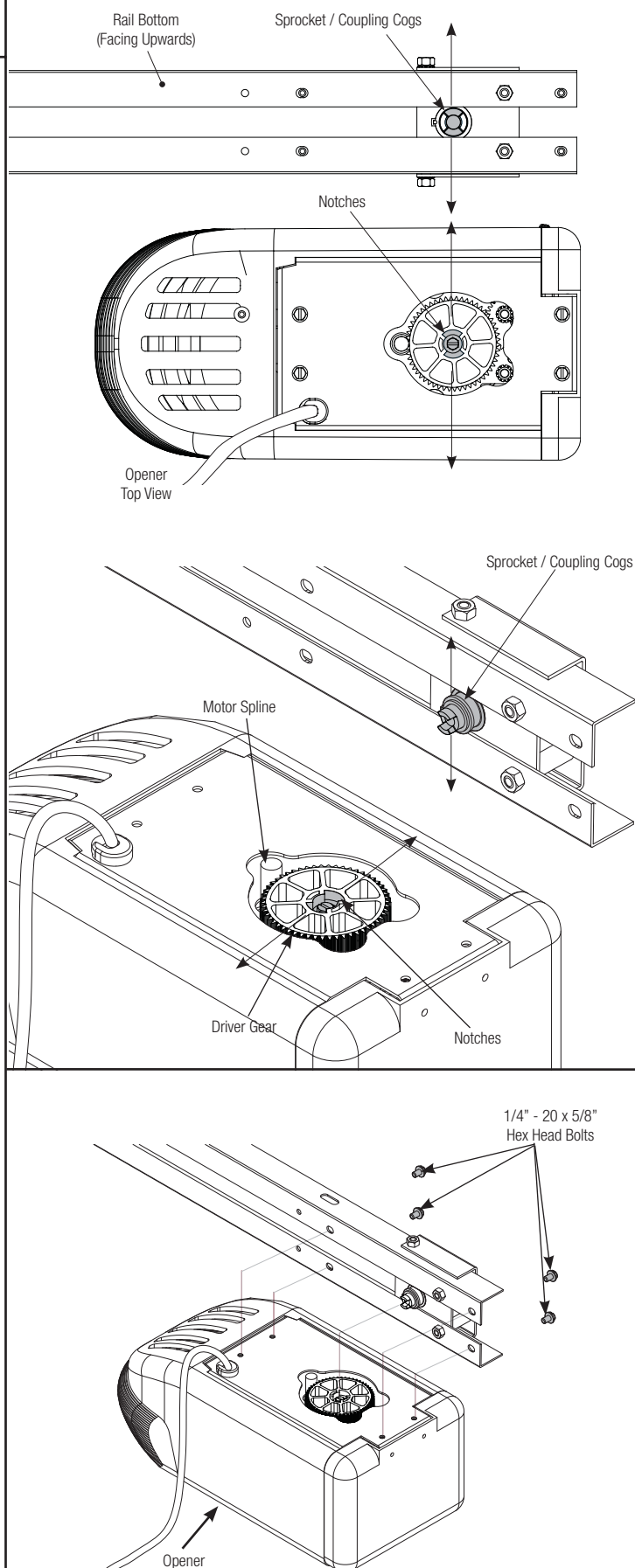
Before assembly, align sprocket/ coupling cogs to match notches of driver gear. Rotate the motor spline to position driver gear so the nearest notch in driver gear is directly behind motor spline, as illustrated.

NOTE: Do not rotate more than 1/2 turn.

Place opposite end of rail on temporary support approximately 6" in height.

Proceed with attaching rail to opener, ensuring proper engagement between sprocket/coupling cogs and driver gear notches. Realign if necessary, making sure to keep any rotation only to the nearest notch. Using the (4) pre-attached 1/4"-20 x 5/8" hex head bolts, assemble rail to opener using 3/8" socket; tighten securely.

NOTE: Do not plug the opener power cord into electrical outlet until opener is fully installed and you are instructed to do so in this manual.



2

Positioning and Installing Front Wall Bracket

Tools Needed:

Carpenter's Level

7/16" Socket Driver

Power Drill

Tape Measure

1/8" Drill Bit

NOTE: It is recommended that the door opener be installed 7 feet or more above the garage floor.

REINFORCE THE HEADER WALL

Reinforce the header wall (wall above door opening) as required, to ensure rigid mounting of the front wall bracket.

⚠ WARNING

DO NOT ATTEMPT TO LOOSEN OR REMOVE ANY PORTION OF DOOR SPRING SYSTEM IN ORDER TO REINFORCE HEADER WALL OR TO MOUNT WALL BRACKET. SPRING SYSTEM IS UNDER EXTREME TENSION AND CAN CAUSE SEVERE OR FATAL INJURY. SUCH WORK SHOULD BE DONE BY A QUALIFIED SERVICE PERSON.

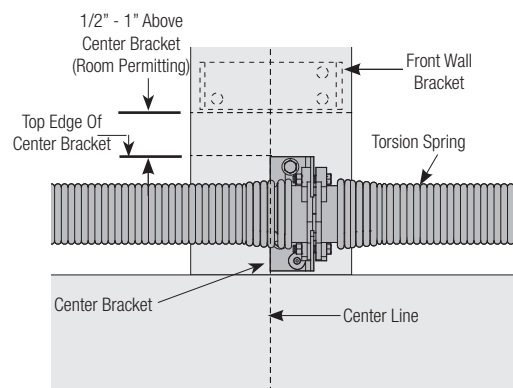
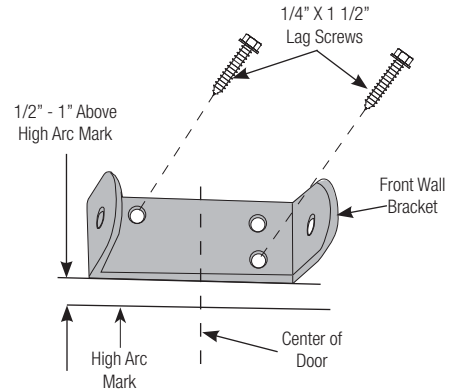
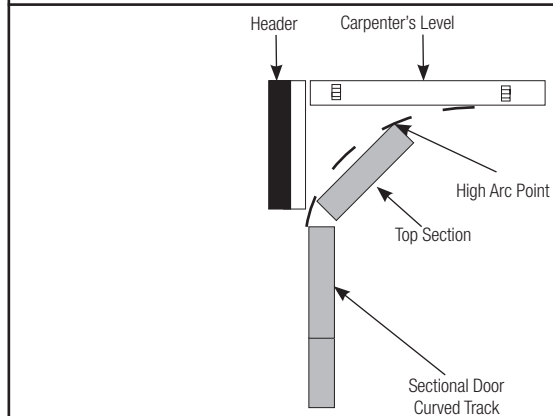
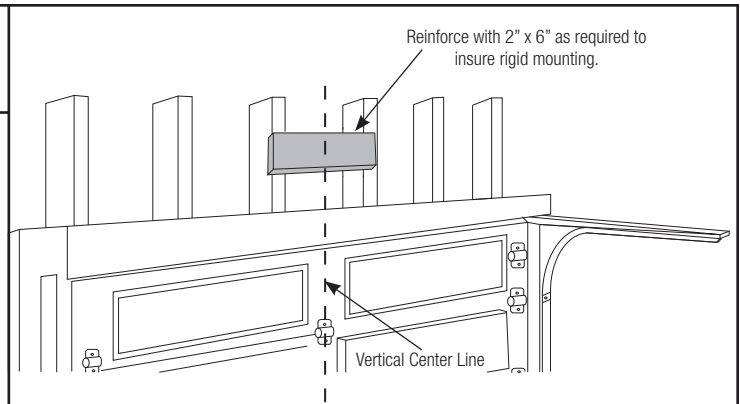
Locate the vertical center line of the garage door and mark it on the header above the door.

Raise the door slightly until the top section reaches the highest point of travel (High Arc Point); using a carpenter's level, transfer and mark the highest point of travel onto the header wall and close the door.

Mount the front wall bracket with its lower edge approximately 1/2" - 1" above the mark showing the highest point of travel and centered on the vertical center line.

NOTE: For low headroom torsion counterbalance, hold the wall bracket's bottom edge typically at 1/2" - 1" (room permitting) above the torsion spring center bracket and centered on the vertical line, see illustration.

Mark the two mounting holes and pilot drill with a 1/8" drill bit. Mount wall bracket using the 1/4" x 1-1/2" lag screws supplied to ensure rigid mounting.



3

Attach Unit to Front Wall Bracket

Tools Needed:

7/16" Socket

Ratchet Wrench

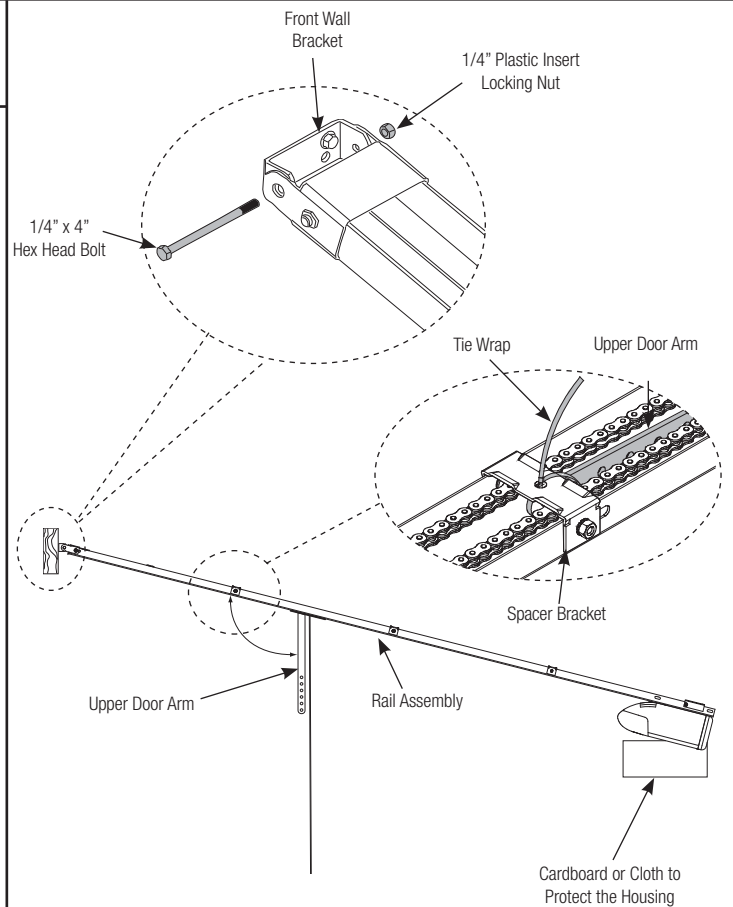
Adjustable Wrench

Raise the front end of the rail assembly and attach it to the front wall bracket, using the 1/4" x 4" hex head bolt and the supplied 1/4" plastic insert locking nut. Take care not to over tighten nut. Tighten only until end of bolt is flush with outside of nut.

NOTE: If you have a torsion spring counterbalance system, it will be necessary to raise the opener and support it on a step ladder to attach the front end of the rail assembly to the wall bracket.

The upper door arm is secured to the spacer bracket with one tie wrap for shipping. Remove tie wrap attaching upper door arm to the spacer bracket, allowing door arm to swing down (see caution).

CAUTION: Support upper door arm with your free hand, to prevent door arm from swinging down uncontrolled.



4

Positioning Motor End of Opener

Tools Needed:

2" x 4" Board

Non-Metallic Step Ladder

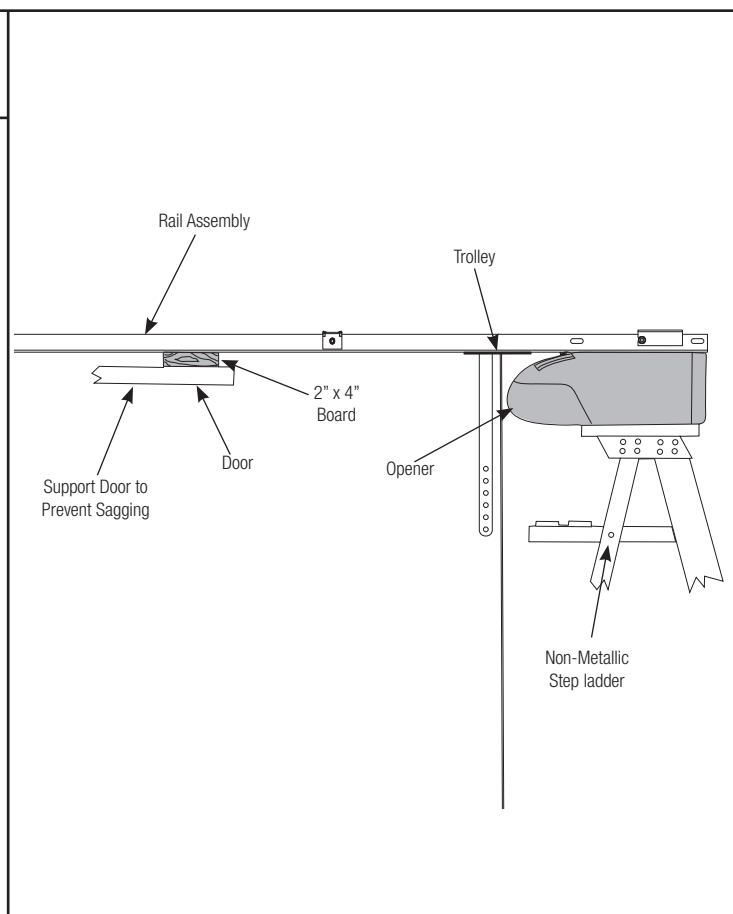
IMPORTANT: TO PREVENT DAMAGE TO DOOR, DO NOT REST THE OPENER ON THE DOOR WITHOUT USING A 2" X 4" BOARD AT LEAST 3 FEET LONG.

Raise the motor end of the opener and support it so you can open the door to its fully open position. You may need help raising motor end if ladder is not high enough.

IMPORTANT: TO PREVENT DAMAGE TO DOOR OR OPENER, POSITION TROLLEY AS CLOSE TO OPENER AS POSSIBLE, BEFORE OPENING DOOR.

Open the door and place a 2" x 4" x 36" minimum board along the top section of the garage door. Rest the rail assembly on the 2" x 4" board.

Support top section of door to prevent excessive sagging.



5

Mounting Opener End

Tools Needed:

Power Drill

Hacksaw

1/8" Drill Bit

1/2" Socket

7/16" Socket

Ratchet Wrench

Adjustable Wrench

Tape Measure

Perforated Angle
Iron (Not Supplied)

CAUTION: Do not use gear cap bolt or nut for hanger attachment. This may cause sprocket, chain or Belt misalignment, resulting in damage to opener or possible personal injury!

Align the center of opener's rail assembly with the center line previously marked on the top section of the garage door to ensure rail will be parallel with the direction of door travel.

Using perforated angles (cut to proper length) hang opener end from ceiling joist. Be sure to locate and mount to ceiling joists, as illustrated.

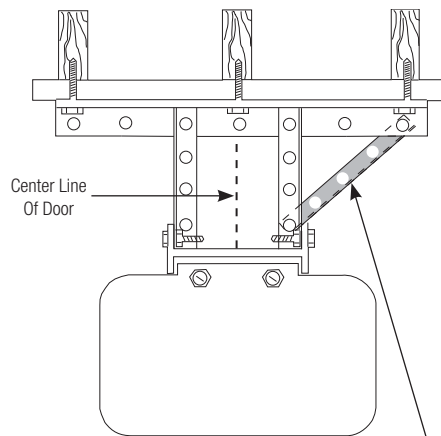
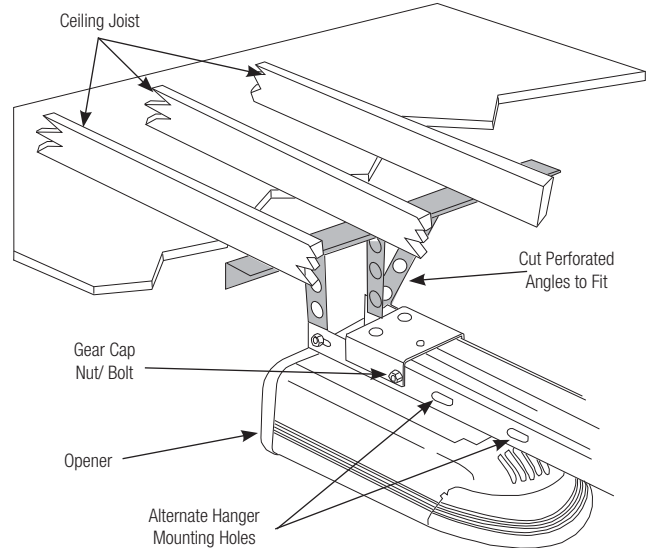
Pilot drill with 1/8" drill bit and use 1/4" x 1-1/2" lag screws (not supplied) to ensure a rigid mount. Attach opener to perforated angles using 5/16" x 3/4" bolts, 5/16" lock washer, and 5/16" nuts (not supplied).

NOTE: Bracing should be at an angle to provide rigid support.

When opener is securely attached to perforated angles, remove the 2" x 4" (used to support rail assembly in Step 4) and close the door.

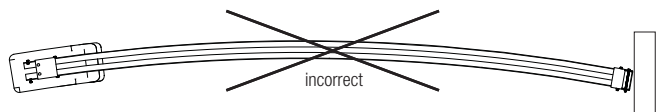
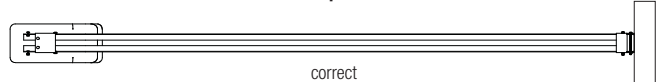
NOTE: It is recommended that 10' rails be supported in the center to prevent sagging.

Opener rail should be aligned perpendicular to the garage door when properly installed. There should be no sagging of the rail in any direction.

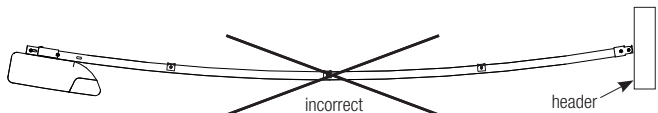
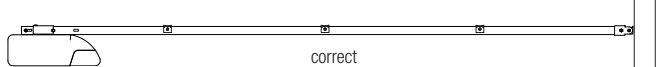


PROPER INSTALLATION

Top view



Side view



6

Mounting Door Bracket

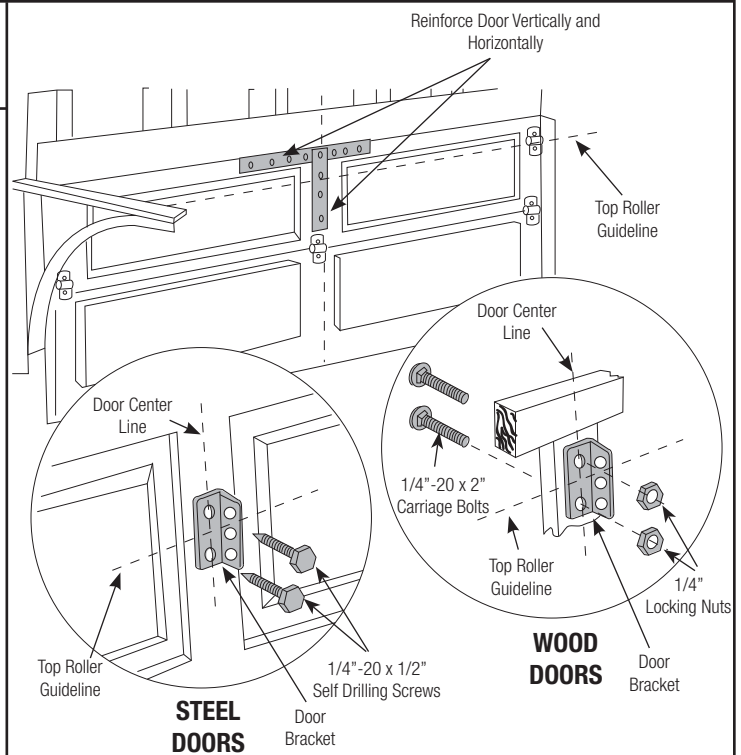
Tools Needed:
7/16" Socket
Ratchet Wrench

NOTE: If you have a 5120, 5140, 9100, 9400, 9600, 9700 or 9800 series door, do not install this door bracket, install the door bracket supplied with the door, see the Installation Instructions and Owner's Manual supplied with the door. Instructions manuals are available for download at www.wayne-dalton.com or call 1-888-827-3667.

IMPORTANT: DOORS MAY NEED TO BE REINFORCED TO PREVENT DAMAGE TO THE DOOR. CHECK WITH THE GARAGE DOOR MANUFACTURER FOR PROPER REINFORCING OF YOUR DOOR.

For wood doors, mount door bracket, using two 1/4"-20 x 2" carriage bolts and 1/4" locking nuts supplied, on center line of door with middle hole in line with top rollers.

For metal doors, mount door bracket, using two 1/4"-20 x 5/8" self drilling screws supplied, on center line of door with middle hole in line with top rollers.



7

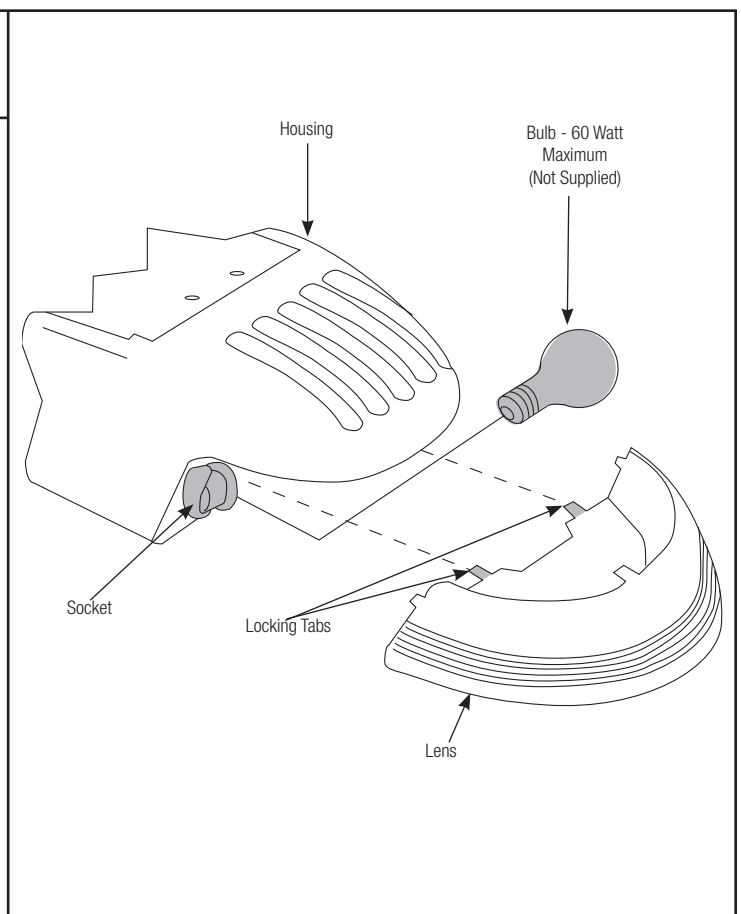
Installing Light

Tools Needed:
None

Remove lens by pressing up on both sides of the bottom of the lens at the junction of the housing, releasing the locking tabs, and pulling forward.

Screw a 60 watt (Maximum) bulb into socket. For maximum bulb life, "rough service" bulbs are recommended.

Align the top and bottom tabs on the lens with the housing and push straight on until lens locks in place.



8

Wired Wall Station Installation (If Included)

Tools Needed:

Power Drill

Phillips Head
Screwdriver

Flat Tip
Screwdriver

3/32" Drill Bit

⚠ WARNING

TO PREVENT POSSIBLE INJURY, INSTALL WALL STATION OUT OF THE REACH OF CHILDREN AND IN A LOCATION WHERE THE DOOR CAN BE SEEN WHEN THE OPENER IS ACTIVATED. DO NOT MOUNT WALL STATION NEAR OR NEXT TO GARAGE DOOR.

IMPORTANT: THE STANDARD PUSH BUTTON OR THE DELUXE WALL STATION MUST BE THE ONLY TYPE USED FOR PROPER DOOR OPERATION. THE USE OF ANOTHER PUSH BUTTON OR WALL CONTROL STATION NOT SUPPLIED BY WAYNE-DALTON COULD CAUSE OPENER TO MALFUNCTION.

Wired Wall Station:

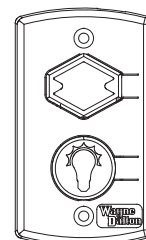
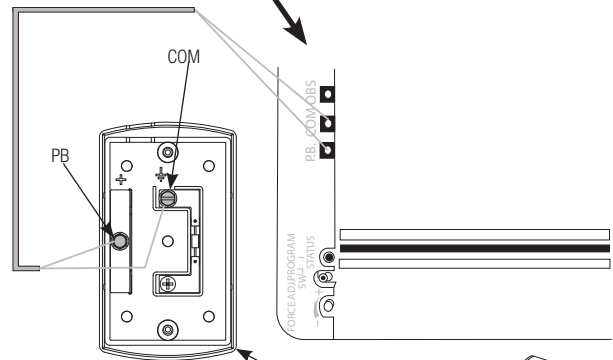
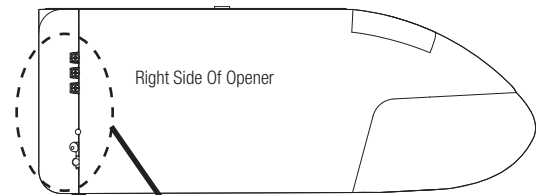
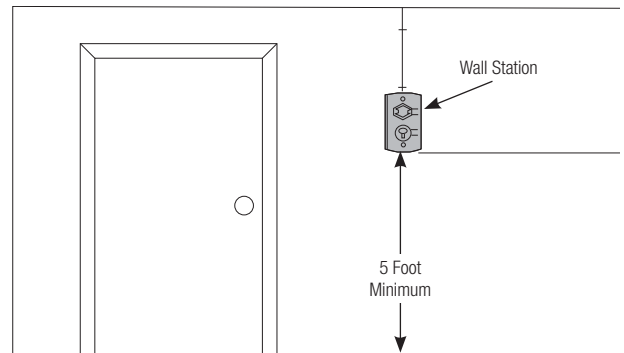
Wire the garage door opener wall station using bell wire connected to COM and P.B. screws, as illustrated.

Locate push button adjacent to service entrance door at a minimum height of 5 ft., and at least 6 ft. away from garage door.

Fasten the wall station in a safe location with the (2) phillips head screws, making sure not to over tighten. Pilot drill mounting holes using a 3/32" bit. Additional wired wall stations may also be installed in accordance with these instructions.

CAUTION: Over tightening the screws could deform plastic case.

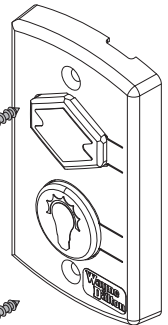
IMPORTANT: CONNECT THE LOW VOLTAGE WIRE TO THE WALL STATIONS USING A "J" HOOK CONFIGURATION. IF WIRE IS COMPLETELY LOOPED AROUND TERMINAL SCREW, IT CAN PREVENT PROPER CONTACT.



Wall Station Back

Wall Station Front

Phillips Head Screws



9

Deluxe Multi-Function Wireless Wall Station Installation (If Included)

Tools Needed:

Power Drill

3/32" Drill Bit

Phillips Head Screwdriver

WARNING

TO PREVENT POSSIBLE INJURY, INSTALL WALL STATION OUT OF THE REACH OF CHILDREN AND IN A LOCATION WHERE THE DOOR CAN BE SEEN WHEN THE OPENER IS ACTIVATED. DO NOT MOUNT WALL STATION NEAR OR NEXT TO GARAGE DOOR.

NOTE: For proper operation, mount the wall station on a flat surface.

The wall station can be mounted to a NEMA standard electrical box or directly to any wall surface. No wiring is required.

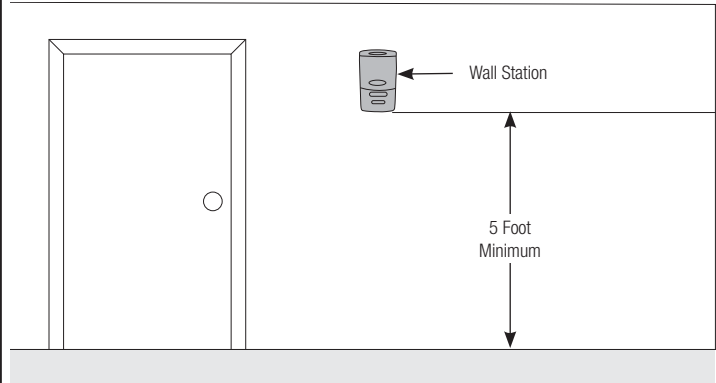
Locate wall station adjacent to service entrance door at a minimum height of 5 ft., and at least 6 ft. away from garage door.

If mounting to a NEMA electrical box, use machine thread screws provided in place of the wood screws. No drilling is required. If high voltage wiring is contained in the box, a standard NEMA solid faceplate must be installed between the box and the wall station. If fastening into drywall or concrete, use anchors provided. When mounting to wood use a 3/32" drill bit and the drilling template located on page 39. Drill the two 3/32" mounting holes using the drill template. Drill 3/16" holes if using anchors.

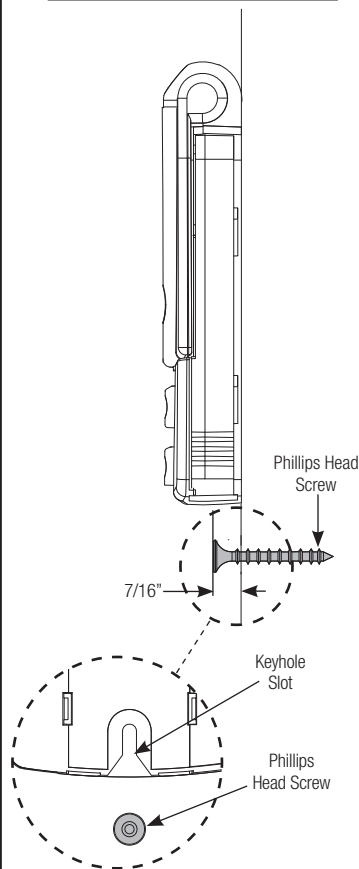
Install lower screw leaving 7/16" of the screw exposed. Slide wall station keyhole slot onto the lower phillips head screw. Wall station should slide onto screw, providing a snug fit. If necessary remove wall station and loosen or tighten lower phillips head screw until a snug fit is achieved.

Once wall station is fitted on lower screw, install upper screw. Do not over-tighten.

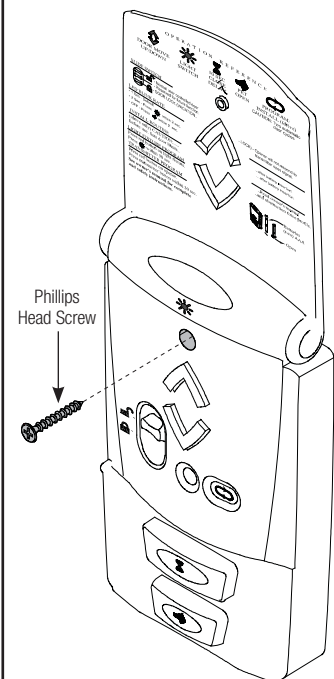
CAUTION: Over tightening the upper screw could deform plastic case.



Lower Screw Installation



Upper Screw Installation



	<p>Deluxe Multi-Function Wireless Wall Station Installation Continued (If Included)</p>	
	<p>Remove the battery cover (right-hand side of wall station) by disengaging the battery cover's lower clip. Install two AAA batteries into the wall station observing the polarity, (+) and (-), of both batteries. After about three seconds, the red LED will begin to blink every three seconds. Re-install the battery cover by first inserting its top into the wall station then inserting and securing its bottom.</p> <p>NOTE: To slow blink rate or turn off, refer to wall station operation page 28 "Back Lit LED Light".</p>	

<h1>10</h1>	<p>Entrapment Warning Label</p>	
<p>Tools Needed:</p> <p>None</p>	<p>Apply entrapment warning label in a convenient location next to the wall station. Use mechanical fasteners if adhesive will not adhere.</p>	

11

Wired Infrared Safety Sensor Installation

Tools Needed:

Ratchet Wrench

Tape Measure

Power Drill

3/16" Drill Bit

7/16" Socket Driver

7/16" Wrench

Pencil

IMPORTANT: BOTH WALL BRACKETS MUST BE MOUNTED AT THE SAME HEIGHT FOR PROPER ALIGNMENT.

Note: Use Steps a-c for installing sensors on both sides of the garage door.

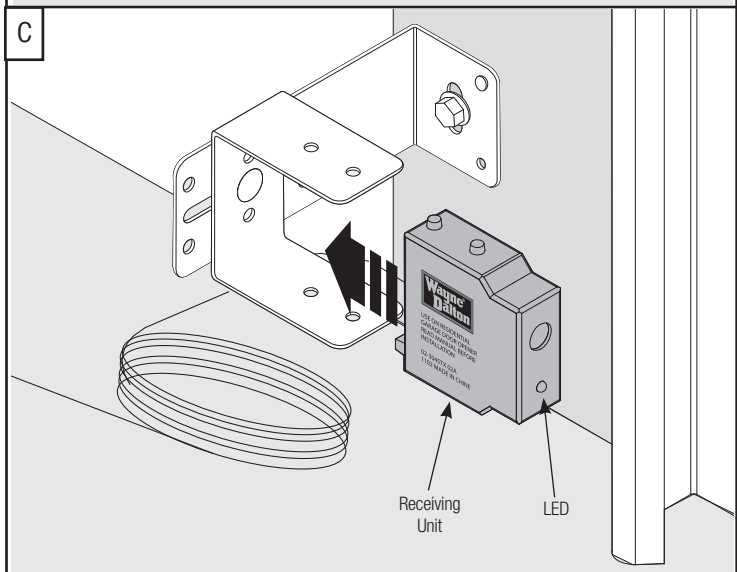
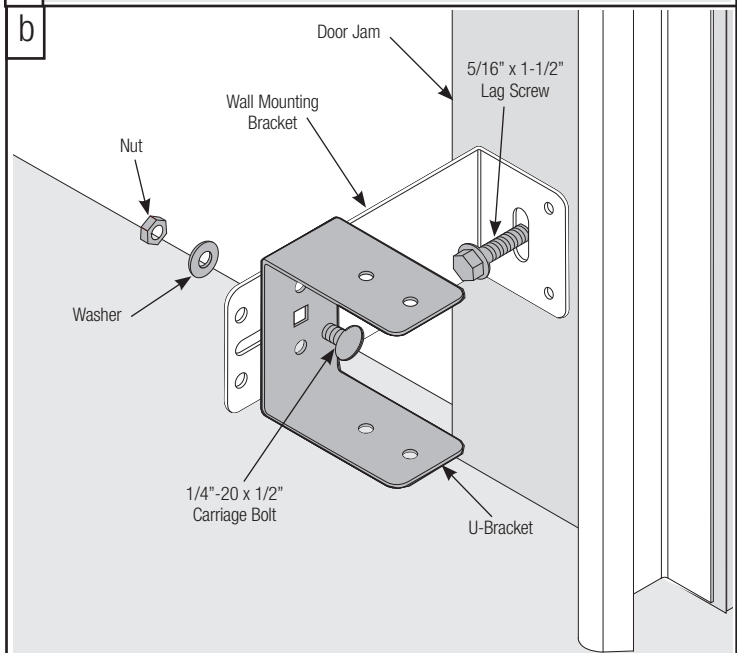
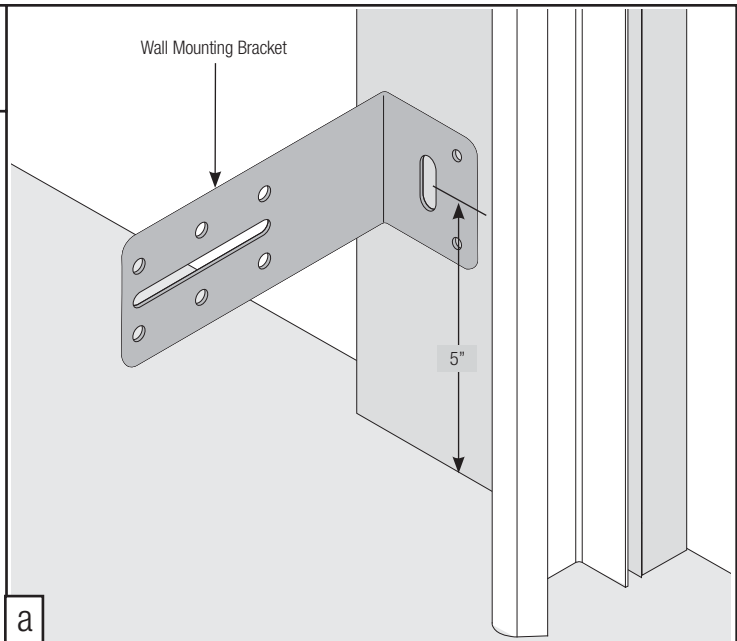
a. Select and mark with a pencil, a mounting location no more than 5 inches above the floor to center line of wall mounting bracket. The safety sensors should be mounted as close to the door track or inside edge of the door as possible to offer maximum entrapment protection. It is very important that both wall mounting brackets be mounted at the same height for proper alignment.

b. Drill pilot holes, using a 3/16" drill bit. Using two 5/16" x 1-1/2" lag screws, permanently mount the wall mounting brackets to both door jambs. In some installations it may be necessary to attach a wooden spacer to the wall to achieve the required alignment.

Attach the "U" brackets to the wall mounting brackets with 1/4"-20 x 1/2" carriage bolts, washers and nuts. Insert the bolts from the inside of the "U" bracket and hand-tighten.

IMPORTANT: IDENTIFY WHICH SIDE OF THE GARAGE DOOR IS EXPOSED TO THE MOST SUNLIGHT. MOUNT THE SENDING UNIT (UNIT WITHOUT LED) ON THE SIDE WHICH IS EXPOSED TO THE MOST SUN. SUNLIGHT MAY AFFECT THE SAFETY SENSORS, AND THIS ORIENTATION WILL HELP REDUCE THE EFFECT.

c. Attach the sending and receiving safety sensors to the "U" brackets by inserting all three tabs into the respective holes.



12

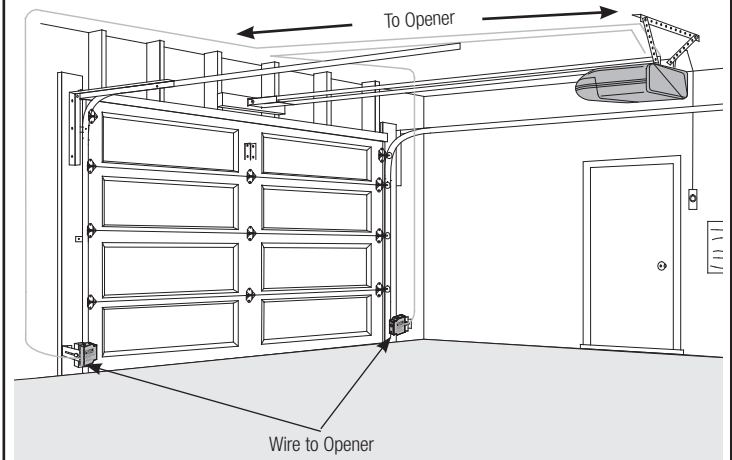
Installation of Wiring for Wired Infrared Safety Sensor

Tools Needed:

Hammer

Uncoil the wires from the infrared safety sensors and route the wire up the garage wall across the ceiling and down to the back of the opener. Tack the wires in place using staples (Not Supplied). Take care to run the wires in a location where they will not interfere with the operation of the door and do not staple through wire.

NOTE: If wires must be lengthened or spliced into pre wired installation, use wire nuts or other suitable connectors.



13

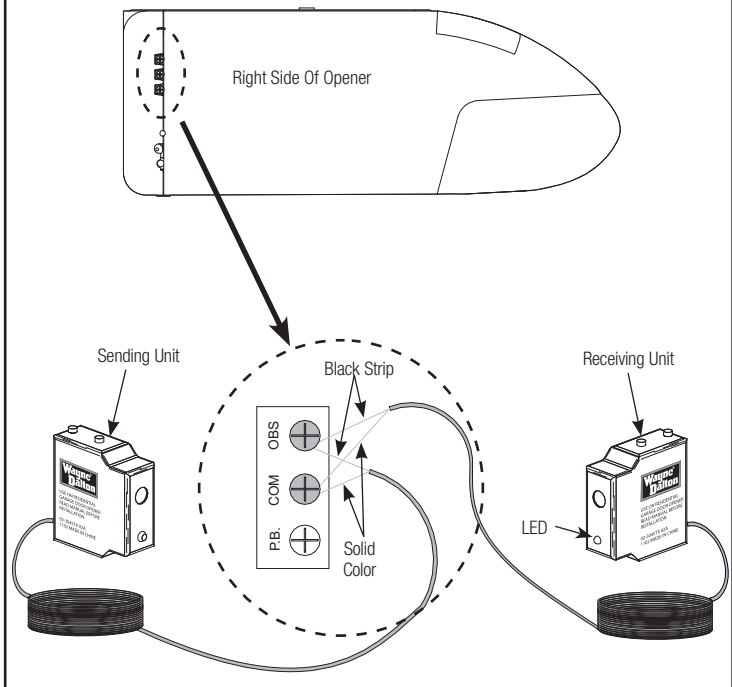
Connecting Wired Infrared Safety Sensor to Opener

Tools Needed:

Phillips Head Screwdriver

Connect infrared safety sensors to the opener as shown. Shorten wires as necessary and separate wire ends. Strip about 1/2" of insulation off each wire, being careful not to nick wires, and attach wires to the proper terminal screws, then tighten securely, using phillips head screwdriver.

One wire has marking on it (numbers, black stripe, etc). Be sure to observe polarity. Apply tension to external wires to test for secure connection. Check that the wires are stapled in place properly.



14

Connecting Opener To Outlet

Tools Needed:

None

⚠ WARNING

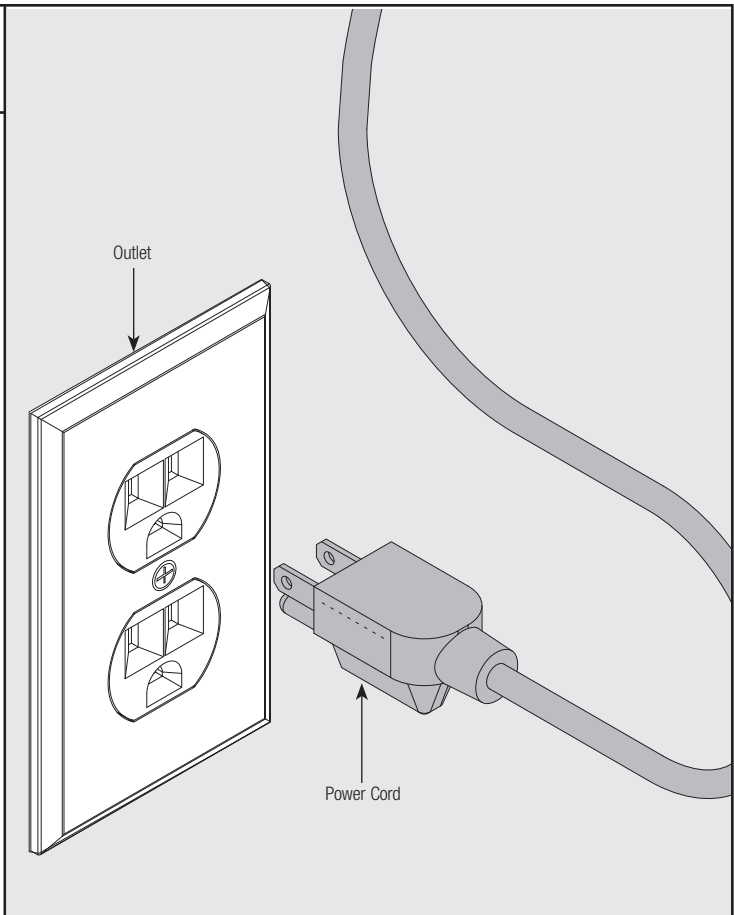
TO REDUCE THE RISK OF ELECTRICAL SHOCK, DO NOT CHANGE THE POWER CORD IN ANYWAY.

IMPORTANT: THE OPENER MUST BE CONNECTED TO A PROPERLY GROUNDED 3 PRONG, 120 VOLT OUTLET.

The opener can be permanently wired. To permanently wire the unit, see permanent wiring option on page 20.

Plug the power cord into the closest grounding type receptacle. Excess power cord length must be routed and contained safely away from any moving parts.

As soon as power is applied to the opener, the light on the opener will blink once to indicate a successful self-check of the controls.



15

Connecting Trolley To Latch Assembly

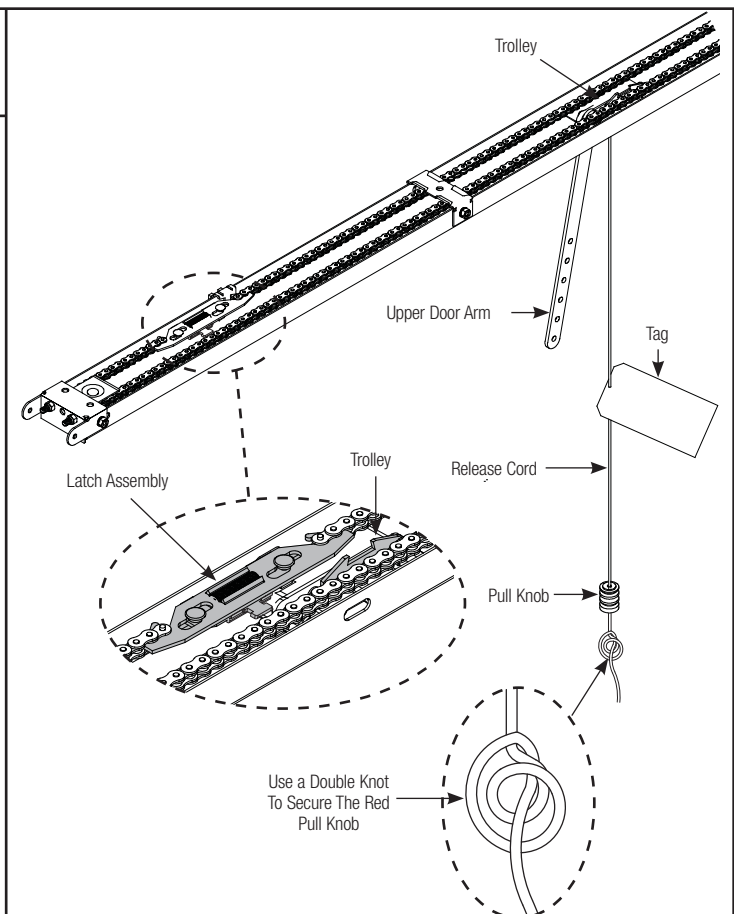
Tools Needed:

None

Slide the trolley until it snaps onto the latch assembly.

Attach warning label to the red release cord. Thread the red release cord through the pull knob so knot is inside pull knob. Tie a double knot at the end of the red release cord to secure pull knob.

NOTE: Pull knob should hang 6 feet above floor. Ensure that the rope and handle clear the tops of all vehicles to avoid entanglement.



16

Alignment of Wired Infrared Safety Sensors

Tools Needed:

Pliers

WARNING

TO AVOID POSSIBLE SEVERE OR FATAL INJURY, KEEP PEOPLE AND OBJECTS CLEAR OF THE MOVING DOOR ARM TO PREVENT POSSIBLE PERSONAL INJURY.

IMPORTANT: THE SAFETY SENSOR SENDS AN INVISIBLE BEAM OF LIGHT FROM THE SENDING UNIT TO THE RECEIVING UNIT ACROSS THE PATHWAY OF THE DOOR. THE OPENER WILL NOT OPERATE UNTIL THE SAFETY SENSORS ARE CONNECTED TO THE OPENER AND PROPERLY ALIGNED. IF THE INVISIBLE BEAM OF LIGHT IS OBSTRUCTED, AN OPEN DOOR CANNOT BE CLOSED BY THE TRANSMITTER OR A MOMENTARY ACTIVATION OF THE WALL STATION UP/DOWN BUTTON. HOWEVER, THE DOOR MAY BE CLOSED BY CONTINUOUSLY HOLDING YOUR FINGER ON THE WALL STATION UP/DOWN BUTTON (CONSTANT PRESSURE) UNTIL THE DOOR TRAVELS TO A FULLY CLOSED POSITION.

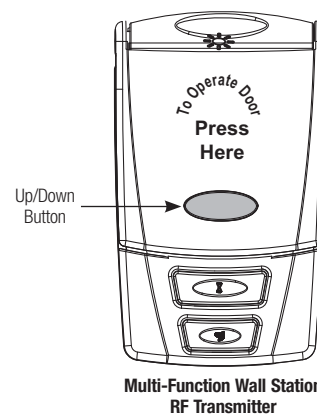
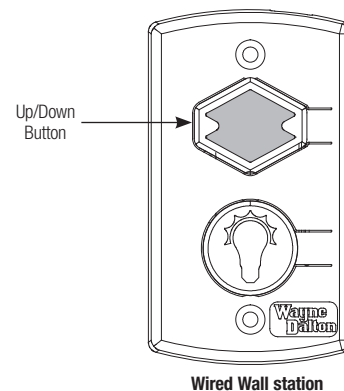
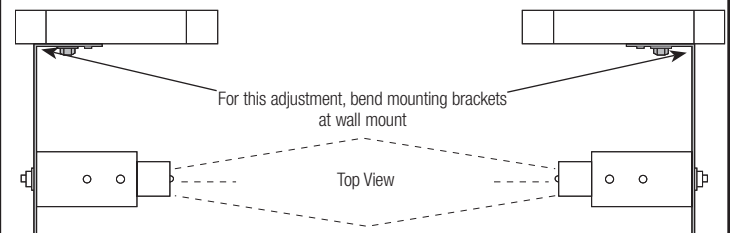
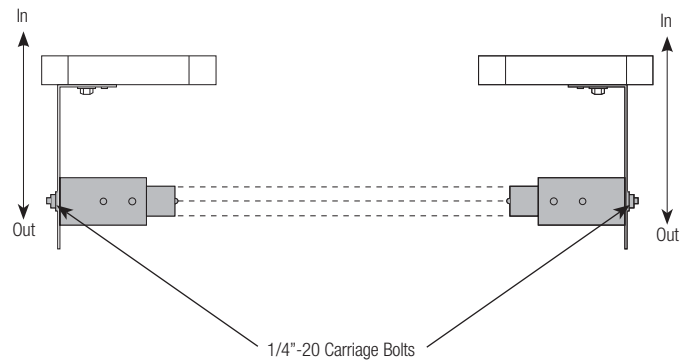
At this point you will be able to activate the opener. The trolley/ upper arm will move to the open position, but will not move to the closed position unless the beams are aligned.

The safety sensors must be aligned by moving the sending and receiving units in or out until the alignment light on the receiving unit comes on. The 1/4"-20 carriage bolt can be loosened to move the unit in or out, as required. If you have difficulty aligning beams, check that both brackets are mounted at the same height (see Step 11) and remount if necessary. Additional minor adjustments can be made by lightly bending the mounting brackets.

Once the alignment light comes on, tighten all bolts and mounting screws.

Finish securing all wiring making sure not to break or open any of the conductors. Loop and secure any extra wire.

Using the wall station up/down button, activate the opener and check that it will operate through full open and close. Ensure trolley and trolley latch are in the closed position prior to proceeding to next step.



17

Setting Trolley Close Position

Tools Needed:

Pliers/Wire Cutters

Tape Measure

Flat Tip
Screwdriver

WARNING

TO AVOID POSSIBLE INJURY OR PROPERTY DAMAGE, KEEP PEOPLE AND OBJECTS CLEAR OF THE MOVING DOOR ARM.

NOTE: If necessary, activate the opener to move the trolley/ upper door arm to the closed position.

NOTE: If you have a 9100, 9400, 9600, 5120, 5140 or 9700 series door, with one of the door brackets shown at the right and a Torquemaster® or Extension Spring(s) counterbalance system, see "Setting Trolley Close Position/ Connecting Door Arm To Door" on pages 23-24. If not, complete this step.

NOTE: If you have a 9100, 9400, 9600, 5120, 5140 or 9700 series door, with one of the door brackets shown at the right and a Torsion Spring(s), see "Setting Trolley Close Position/ Connecting Door Arm To Door" on pages 25-26. If not, complete this step.

Trolley and latch assembly must be at the factory preset fully closed position, (see illustration).

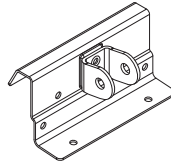
Verify preliminary trolley and latch assembly close position is 11" to 13" between trolley clevis pin and the inside face of the door.

If adjustment of the trolley/latch assembly position is required, use the close travel adjustment screw located on the bottom of the opener. A 1/4 turn equals approximately 1" of trolley travel; turn clockwise to decrease distance between header and trolley and counter-clockwise to increase distance between header and trolley.

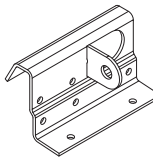
Single and Double Tab Door Brackets

Models: 9100, 9400, 9600, 5120 and 5140.

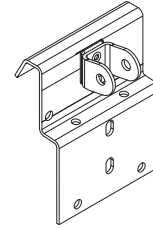
Model: 9700



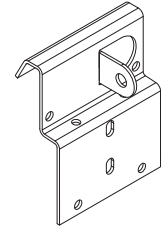
Double Tab
Bracket



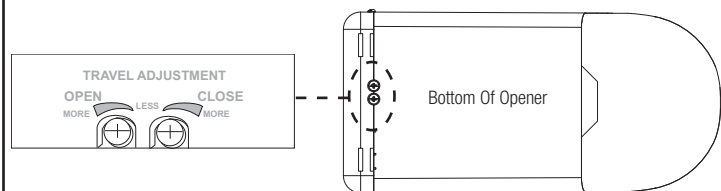
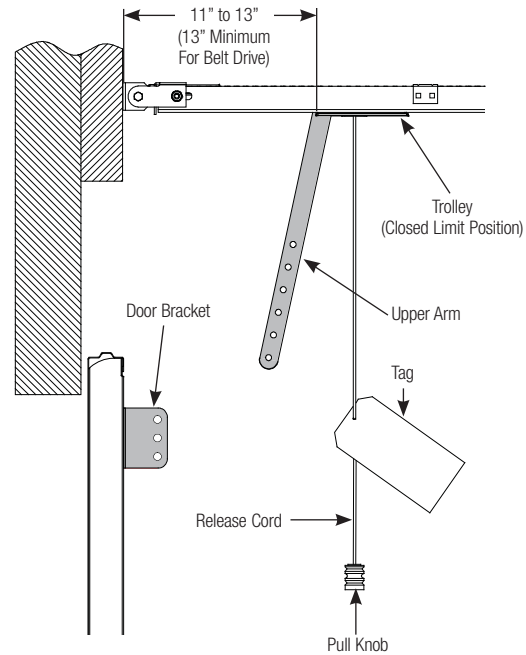
Single Tab
Bracket



Double Tab
Bracket



Single Tab
Bracket



18

Connecting Door Arm to Door

Tools Needed:

Adjustable Wrench

Ratchet Wrench

7/16" Socket

9/16" Socket

Typical Installation:

Place nylon shoulder bushing in lower arm hole in curved end (single hole). Place door arm on right side of door bracket. Insert 5/16" x 1-1/4" multi-grip clevis pin through nylon shoulder bushing, lower door arm and middle hole of door bracket. Install hairpin cotter through hole (Closest to door bracket) of multi grip clevis, as shown.

For Models: 9100, 9400, 9600, 5120, 5140 And 9700

Place nylon shoulder bushing in lower arm hole in curved end (single hole). Place the lower door arm between the tabs (or the right side of single tab) and insert 5/16" x 1-1/4" multi-grip clevis pin through nylon shoulder bushing, lower door arm and hole(s) of door bracket. Install hairpin cotter through hole (Closest to door arm "Double Tab" or door bracket "Single Tab") of multi grip clevis, as shown.

For Models: 9700 And 9800

Place nylon shoulder bushing in lower arm hole in curved end (single hole). Place the lower door arm between the tabs and insert 5/16" x 1-1/4" multi-grip clevis pin through nylon shoulder bushing, lower arm and holes of door bracket. Install hairpin cotter through hole (Closest to door arm) of multi grip clevis, as shown.

CONNECTING UPPER AND LOWER DOOR ARMS

⚠ WARNING

FAILURE TO USE LOCKING NUT CAN RESULT IN ARM RELEASING AND POSSIBLE RESULTING IN PROPERTY DAMAGE AND/OR PERSONAL INJURY.

Align upper and lower door arm pieces to nearest matching holes.

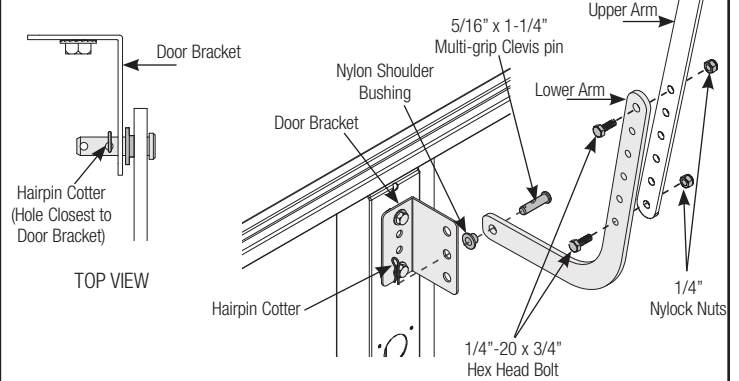
NOTE: It may be necessary to apply downward pressure on the door or slightly raise the door during this process.

Secure upper and lower door arms to each other using two 1/4"-20 x 3/4" hex head bolts and nylock nuts.

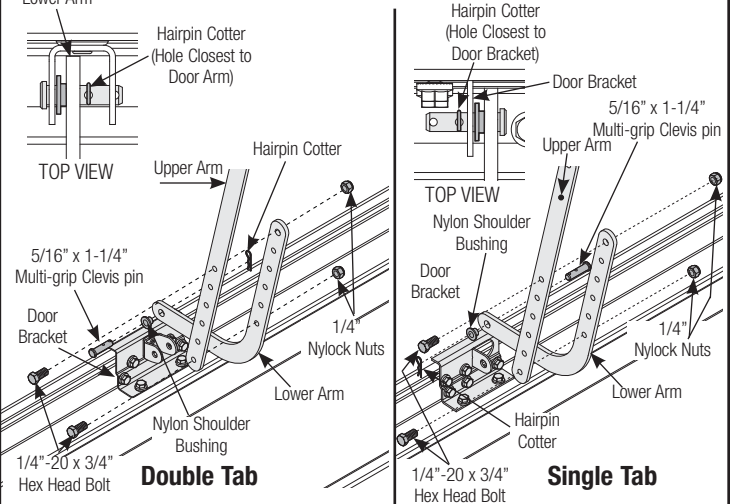
NOTE: Install the hex head bolts as far apart as possible, when positioning the upper and lower arms.

NOTE: Door arm angle must be 10° to 30° degrees (see illustration). If not, repeat "Setting Trolley Close Position" and increase or decrease distance between trolley clevis pin and inside face of the door.

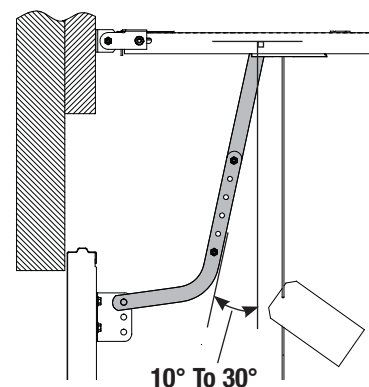
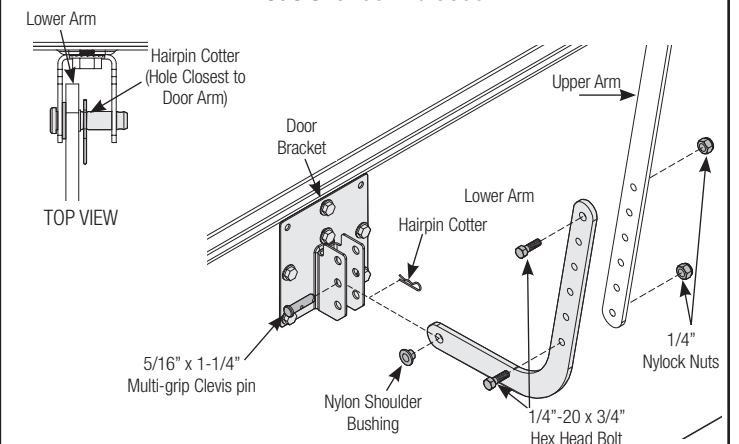
Typical Installation



Models: 9100, 9400, 9600, 5120, 5140 or 9700



Models: 9700 And 9800



19

Setting Door Close Travel

Tools Needed:

Flat Tip
Screwdriver

Using the wall control up/down button, activate door to full open position; reactivate to close position.

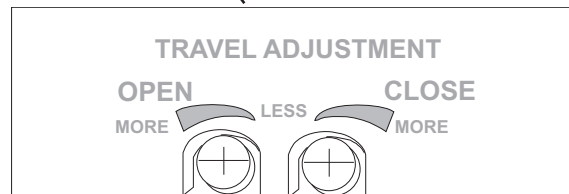
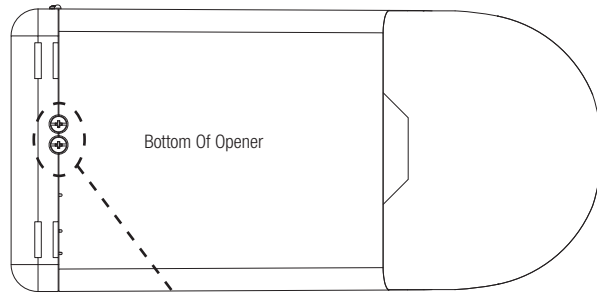
The door should stop on the floor with the bottom door seal slightly compressed.

If the door reverses off the floor, turn close travel knob 1/4 turn "less".

If door is not completely closed, turn travel knob 1/4 turn "more".

Repeat as necessary.

NOTE: 1/4 turn equals 1" of door travel.



20

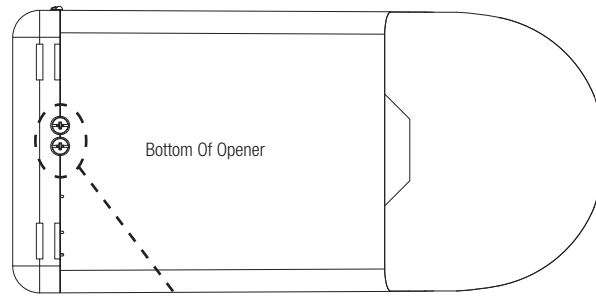
Setting Door Opening Travel

Tools Needed:

Flat Tip
Screwdriver

The door opener is assembled with the open travel adjustment preset for a typical door, but all doors should be adjusted to stop as close as possible to the door's "natural" fully open, resting position.

To determine the door's "natural" fully open, resting position, disconnect door from opener using the emergency release disconnect (see page 27, EMERGENCY DISCONNECT) and manually raise door to its "natural" fully open, resting position. Use this location for your open limit setting. To determine if door needs adjustment, activate the opener to bring door to fully open position.



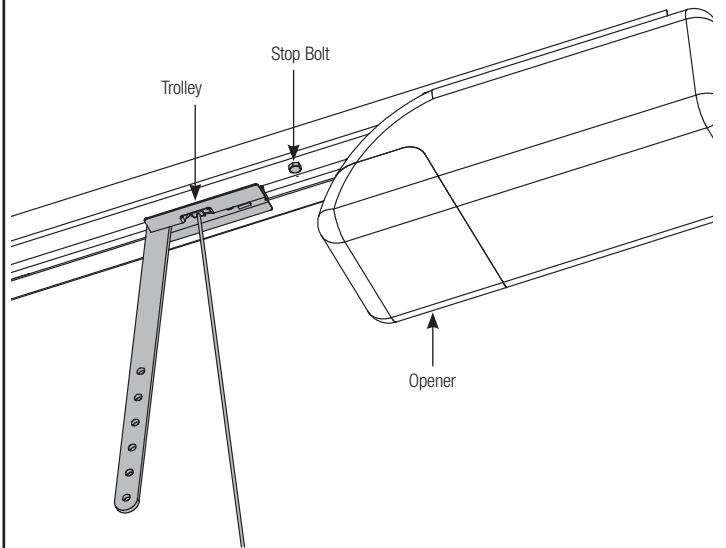
Setting Door Opening Travel (Continued)

NOTE: If door does not open fully and opener light flashes (make sure the bulb is installed and operating) check for an obstruction or see Adjustment #1, page 32 (Adjusting Opening Force).

To adjust for a non-standard door or to precisely set the open position: Using the wall station, operate the door and stop it in mid-travel position. Using a flathead screwdriver turn the OPEN travel adjuster for more (counter-clockwise) or less (clockwise) travel. A 1/4 turn equals approximately 1" of trolley movement.

NOTE: Confirm that the door has stopped in the UP position as a result of the upper limit switch and not because the trolley has hit the stop bolt, which is mounted in the rail near the opener. The correct condition can be verified by observing that the openers convenience light does not flash after the fully open door comes to a stop. The faulty condition may also be confirmed visually by checking to see if the trolley is resting against the stop bolt.

To confirm final OPEN travel adjustment, activate the opener to bring door to fully open position. The opener light should not be flashing.



21

Contact Obstruction Test

Tools Needed:

2 x 4 Board

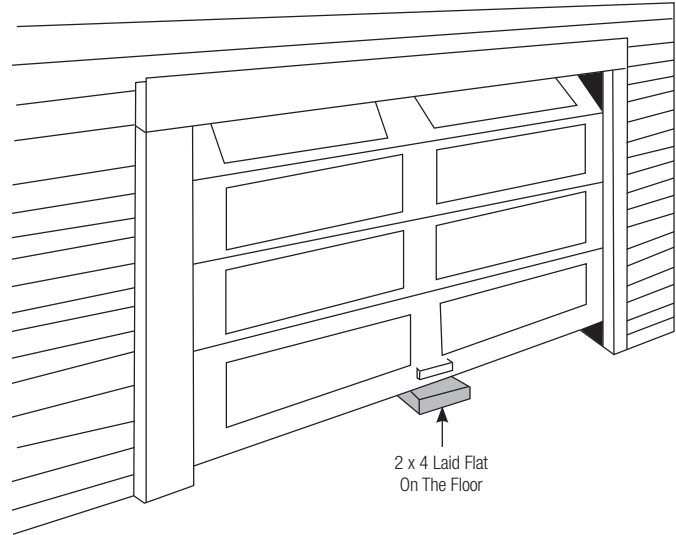
After installing the opener, the door must reverse when it contacts a 1 1/2" inch high object (or a 2 x 4 board laid flat) on the garage floor.

Using the wall station, activate the door to the fully open position. Place a 2 x 4 flat on the garage floor, under the door path. Activate the door to the closed position with the wall station. Upon contacting the 2 x 4 board, the door should reverse.

If door stops on the 2 x 4 board, adjust the close travel knob 1/8-1/4 turn "more" until door reverses upon contact with 2 x 4 board.

When the door reverses, remove the 2 x 4 board and run the full cycle of open and close of the door. Door should not reverse when it comes to the fully closed position on the floor.

NOTE: If opener fails to pass this test, repeat Step 19. Also see Adjustment #2, page 32 (Contact Obstruction Test).



⚠ WARNING

IF OPENER DOES NOT RESPOND PROPERLY TO THESE TESTS (STEPS 21 AND 22), HAVE A QUALIFIED SERVICE PERSON MAKE NECESSARY ADJUSTMENTS/REPAIRS, OR SEVERE OR FATAL INJURY COULD RESULT FROM OPERATING THE DOOR/OPENER.

22

Safety Sensor Obstruction Test

Tools Needed:

2" x 6" x 12"
Solid Test Object

⚠ WARNING

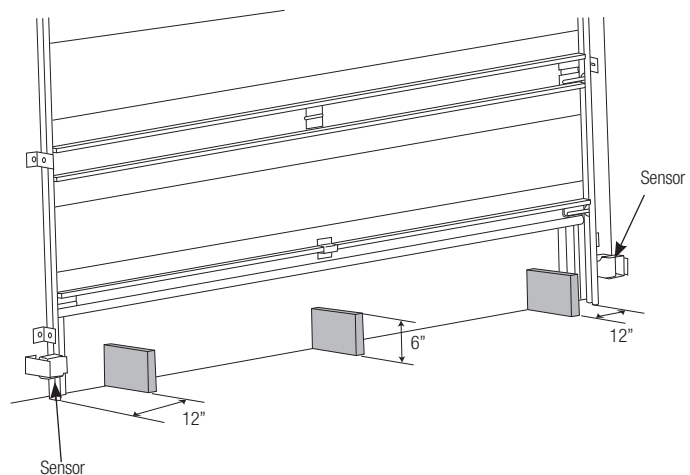
WHEN PERFORMING THIS PART OF THE TEST, DO NOT PLACE YOURSELF UNDER DESCENDING DOOR, OR SEVERE OR FATAL INJURY MAY RESULT.

Starting with the door fully open, place a 6" high object on the floor, in line with sensors, 12" from the left side of the door.

Activation of the opener with the wall station Up/Down button should cause the door to move no more than one foot, stop and then reverse to fully open position.

Repeat this test with the 6" high object placed at the center of the door and then 12" from the right side of the door.

The 6" high object, when placed on the floor in line with sensors, while door is closing, should also cause the door to reverse.



⚠ WARNING

IF OPENER DOES NOT RESPOND PROPERLY TO THESE TESTS (STEPS 21 AND 22), HAVE A QUALIFIED SERVICE PERSON MAKE NECESSARY ADJUSTMENTS/REPAIRS, OR SEVERE OR FATAL INJURY COULD RESULT FROM OPERATING THE DOOR/OPENER.

Programming Wireless Keyless Entry (If Included)

Tools Needed:

None

⚠️ WARNING

DURING PROGRAMMING THE GARAGE DOOR MAY OPERATE. KEEP PEOPLE AND OBJECTS CLEAR OF THE MOVING DOOR TO PREVENT DOOR DAMAGE OR POSSIBLE PERSONAL INJURY.

NOTE: To simplify installation, program the wireless keyless entry to the opener before mounting to the wall.

NOTE: Before programming ensure garage door is in the "down" position.

1. Press and release the PROGRAM button. The red PROGRAM STATUS light on the opener and the overhead lamp will turn on and remain lit for one minute, indicating that it is ready to learn the keyless entry.

2. Press the desired five digit PIN (PERSONAL IDENTIFICATION NUMBER), example 1-3-8-2-5. The PROGRAM STATUS light will turn on and off three times indicating a successful learn.

NOTE: Do not set a code that presents the numbers in sequential order, as an example 1/2, 3/4, 5/6, 7/8, 9/0. Studies show that people naturally press the buttons in a sequential pattern. Also, do not select a code that uses the same button five times consecutively. Thieves can easily figure out these types of codes.

NOTE: If at anytime, an error was made entering the code, simultaneously press and release the 7/8 and 9/0 buttons to reset the keyless entry; then repeat programming steps above.

NOTE: A single wireless keyless entry device may be programmed to operate multiple garage door openers. To program additional openers, repeat programming steps using a different five digit PIN for each additional opener.

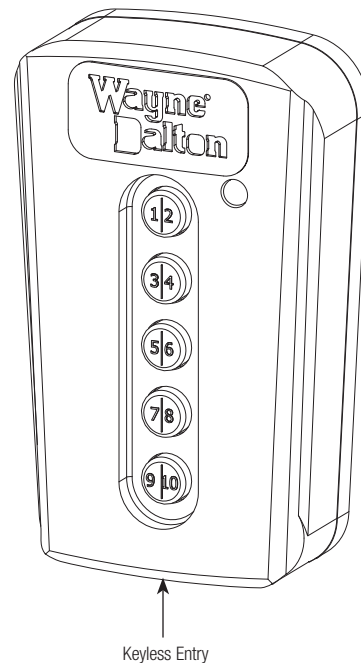
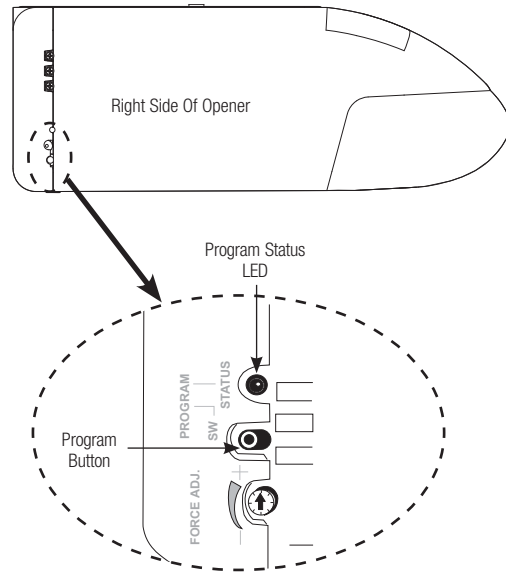
How Your Keyless Entry Operates Your Door:

The following explains how your Keyless Entry can be used to OPEN, CLOSE, START, and STOP your door.

1. Enter your 5-digit PIN (personal identification number); door will move.

NOTE: If you inadvertently enter an incorrect code, the door will not move. To reset, simultaneously press and release the 7/8 and 9/0 buttons and reenter your PIN number.

2. Unit remains active for next 25 seconds. Pressing any key, will stop the door if opening, and stop or reverse the door if closing during the 25 seconds active period.



24

Installing Wireless Keyless Entry (If Included)

Tools Needed:

Power Drill

5/64" Drill Bit

Phillips Head
Screwdriver

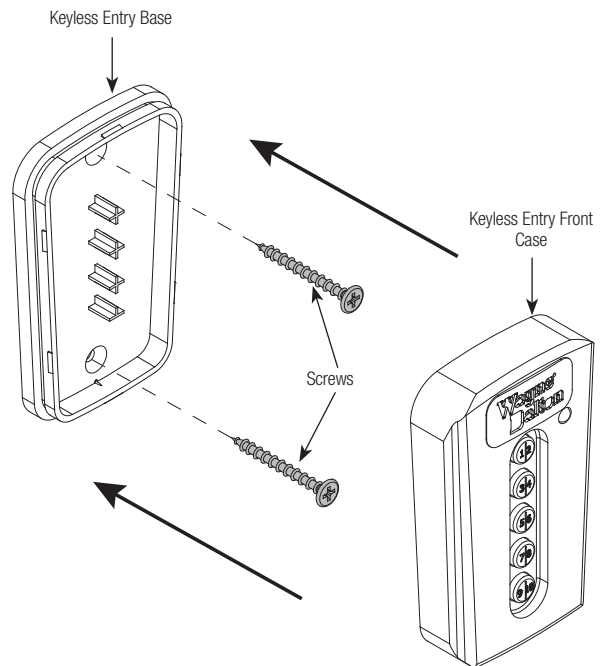
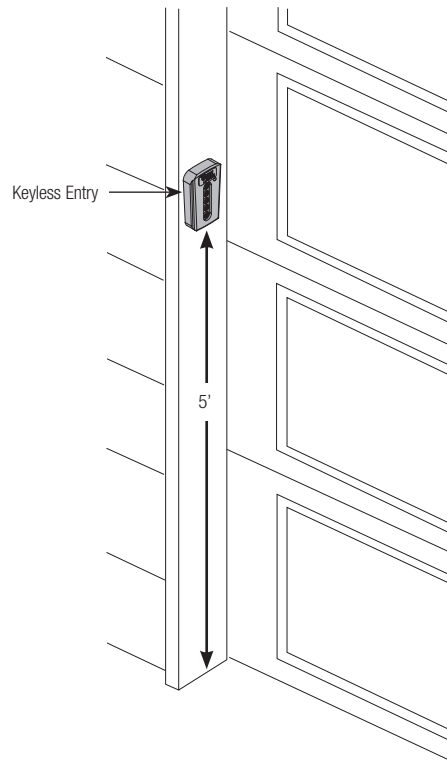
IMPORTANT: INSTALL ALL WALL CONTROLS OUT OF THE REACH OF CHILDREN AND IN A LOCATION WHERE THE DOOR CAN BE SEEN BEFORE ACTIVATING.

Locate a convenient place to mount the wireless keyless entry, that does not interfere with the normal opening and closing of the door. To keep keyless entry out of the reach of children, measure and mark a spot at least 5 feet up from the floor. Use the drilling template located on Page 39 to determine hole positions. Drill 5/64" pilot holes 3/4" deep at each screw location.

Snap open the wireless keyless entry case with a coin. Secure keyless entry base into wood framing using the two screws provided. Snap the front case half back onto the base. Remove paper backing from instruction label and apply to a clean surface inside garage.

NOTE: Two screws are included for mounting to wood structures. Ensure proper hardware is used for mounting to other materials.

NOTE: After completing this step, continue with page 27.





Power Connection (Permanent Wiring Option)

Tools Needed:

Needle Nose Pliers

Pliers/Wire Cutters

Flat Tip
Screwdriver

WARNING

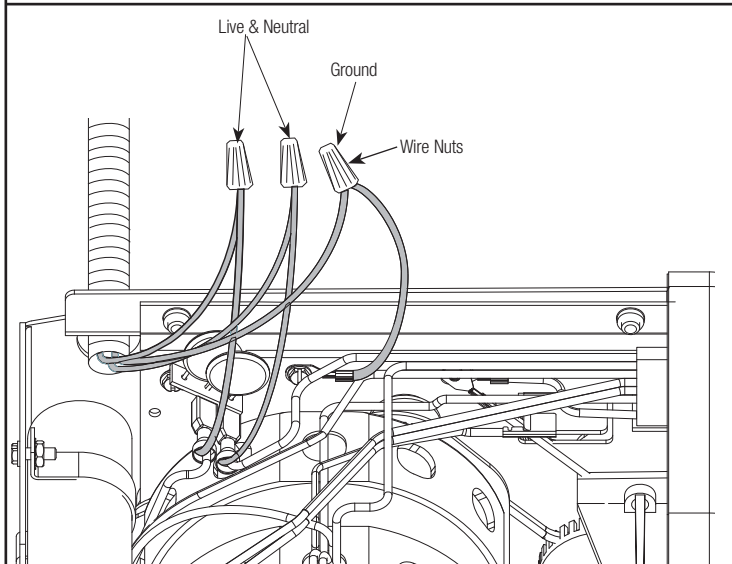
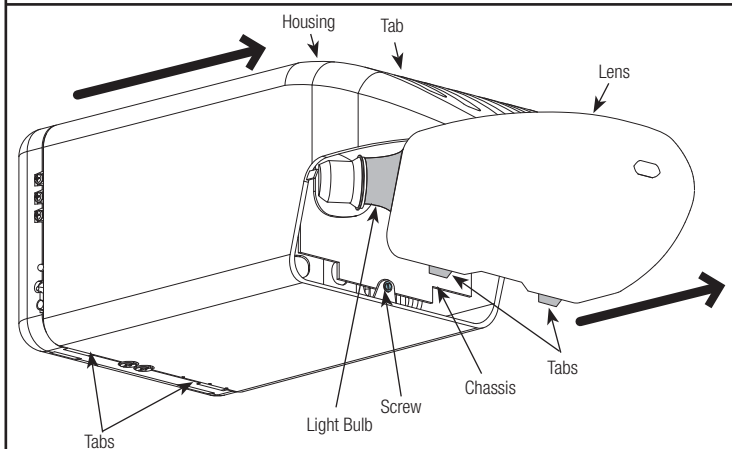
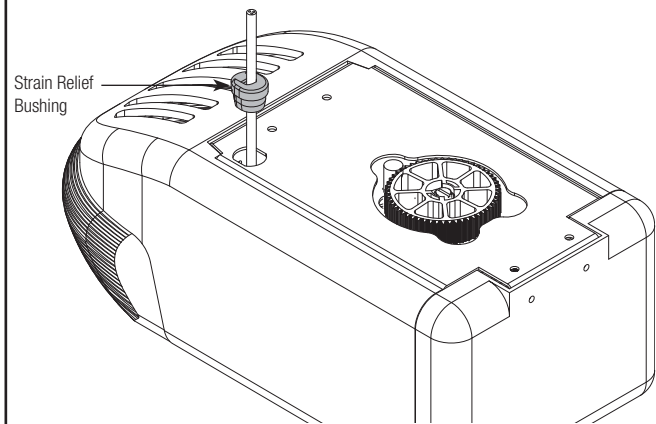
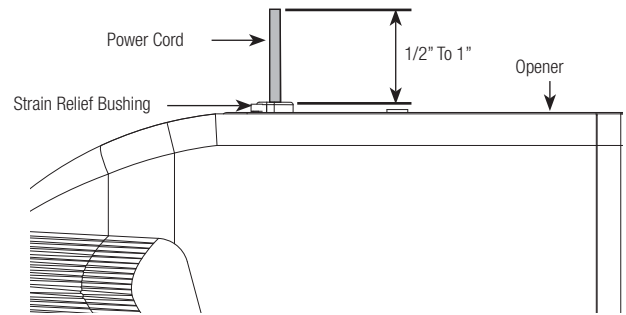
TO AVOID ELECTRICAL SHOCK, DISCONNECT POWER AT THE FUSE/BREAKER BOX BEFORE PROCEEDING.

IMPORTANT: CHECK YOUR LOCAL ELECTRICAL CODES. IF YOUR LOCAL CODE REQUIRES PERMANENT WIRING, USE THE SPECIFICATIONS CALLED FOR AND INSTRUCTIONS ILLUSTRATED.

Permanent Wiring Procedure

1. Ensure power cord is disconnected from electrical power.
2. Cut power cord 1/2" – 1" from strain relief/bushing.
3. Use needle nose pliers to remove strain relief bushing from frame. Squeeze tabs in on underside of bushing and work bushing out of hole.
4. Pull or strip off remaining section of outer insulation from power cord.
5. Remove lens by pressing up on both sides of the bottom of the lens at the junction of the housing, releasing the locking tabs, and pulling forward; remove light bulb (if installed).
6. Remove the housing from the chassis by removing the screw securing the housing to the chassis. Press on the locking tabs and slide the cover off the chassis.
7. Pull the three wires into the opener; strip 1/2" of insulation from the black, white, and green wires.
8. Using wire nuts for 14-18 AWG wire, connect the black wire to black wire, the white wire to white wire and the green wire to green wire. Make sure connections are secure.
9. Replace opener cover.

Reconnect the power at the fuse/ breaker box, as soon as power is applied to the unit, the light on the opener will blink once to indicate a successful self check of the controls.





Mounting Door Bracket To A 9700 Series Door

Tools Needed:

Power Drill

7/16" Socket Driver

IMPORTANT: WHEN CONNECTING A TROLLEY TYPE GARAGE DOOR OPENER TO A 9700 SERIES DOOR, A WAYNE-DALTON OPENER/TROLLEY BRACKET MUST BE SECURELY ATTACHED TO THE TOP SECTION OF THE DOOR, ALONG WITH ANY U-BARS PROVIDED WITH THE DOOR. THE INSTALLATION OF THE OPENER MUST BE ACCORDING TO MANUFACTURER'S INSTRUCTIONS AND FORCE SETTINGS MUST BE ADJUSTED PROPERLY.

Locate the center of the top section or factory attached u-bar as shown in FIG 1.1.

FOR TOP SECTION WITH U-BAR:

Remove and retain 4-6 screws from the center of the u-bar, allowing the door bracket to slide between the section and the u-bar.

Position the door bracket until it seats on the male part of the section as shown in FIG 1.2. The door bracket must be centered and positioned on the top section so it bridges the transition point of the section thickness. Attach the door bracket using 1/4" - 14 x 5/8" self tapping screws as shown in FIG 1.4. Re-attach the u-bar using (2) 1/4" - 20 x 11/16" self drilling screws through the door bracket as shown in FIG 1.3. Finish re-attaching the u-bar using the self tapping screws removed previously.

FOR TOP SECTION WITHOUT U-BAR:

Position the door bracket until it seats on the male part of the section as shown in FIG 1.2. The door bracket must be centered and positioned on the top section so it bridges the transition point of the section thickness. Attach the door bracket using 1/4" - 14 x 5/8" self tapping screws as shown in FIG 1.4.

NOTE: After completing this step, continue with Step 7.

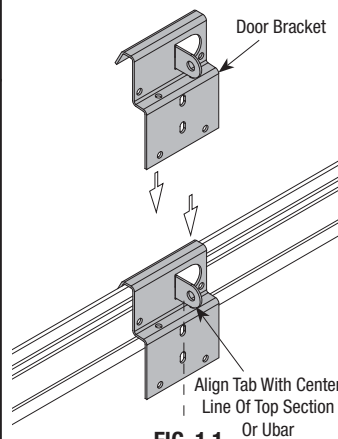


FIG. 1.1

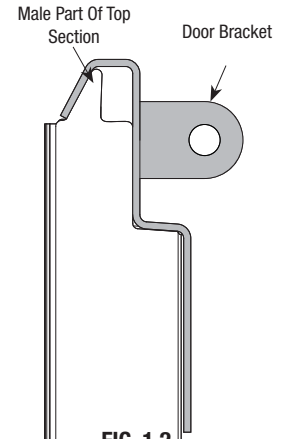


FIG. 1.2

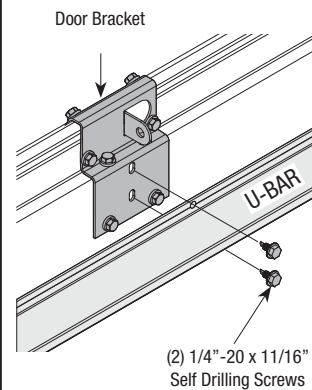


FIG. 1.3

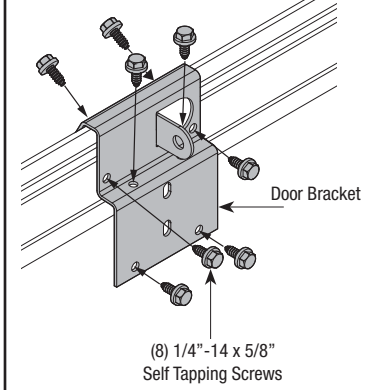
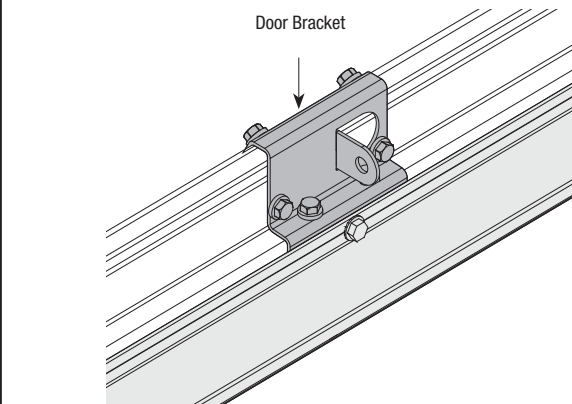
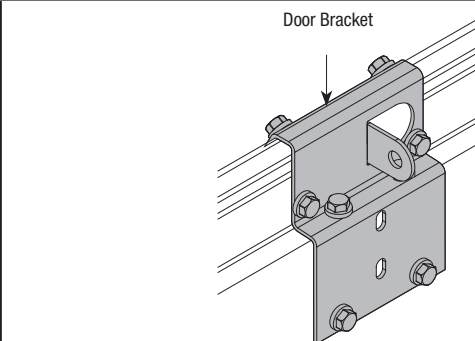


FIG. 1.4



Top Section With U-Bar



Top Section Without U-Bar



Mounting Door Bracket To A (9100, 9400, 9600, 5120 & 5140 Series Door)

Tools Needed:

Power Drill

7/16" Socket Driver

Vice Clamps

Phillips Head Screwdriver

IMPORTANT: WHEN CONNECTING A TROLLEY TYPE GARAGE DOOR OPENER TO THE ABOVE LISTED DOORS, A WAYNE-DALTON OPENER/TROLLEY BRACKET MUST BE SECURELY ATTACHED TO THE TOP SECTION OF THE DOOR, ALONG WITH ANY U-BARS PROVIDED WITH THE DOOR. THE INSTALLATION OF THE OPENER MUST BE ACCORDING TO MANUFACTURER'S INSTRUCTIONS AND FORCE SETTINGS MUST BE ADJUSTED PROPERLY.

Locate the center of the top section and seat the door bracket on male part of the top section. The door bracket must be centered and positioned on top section so it bridges the transition point of the section thickness, as shown in FIG. 1.1 and 1.2. Install (2) #12 x 1/2" phillips head screws on the opposite side of door bracket, as shown in FIG. 1.3. If initially supplied u-bar is on the door, clamp door bracket to u-bar, as shown in FIG. 1.4. First attach (3) 1/4" - 14 x 5/8" self-tapping screws to the door bracket, as shown in FIG. 1.5. Then attach (2) 1/4" - 14 x 5/8" self-tapping screws to the door bracket, as shown in FIG. 1.6. Remove vice clamps.

NOTE: If you have a 9100 door, you can use two of the 1/4" - 20 x 11/16" self-drilling screws used to attach the u-bar instead of the 1/4" - 14 x 5/8" self-tapping screws when attaching door bracket to u-bar, as shown in FIG. 1.6.

NOTE: When attaching door bracket to top section with u-bar, apply additional pressure to thread fasteners into the u-bar.

NOTE: See FIG. 1.7 for installing door bracket on top section without u-bars.

NOTE: After completing this step, continue with Step 7.

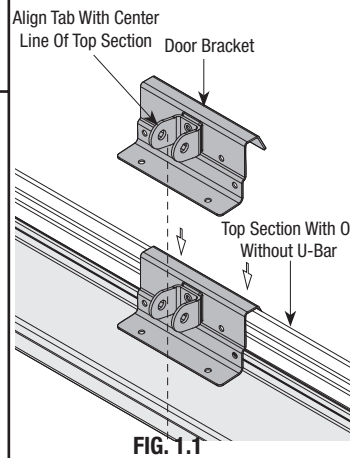


FIG. 1.1

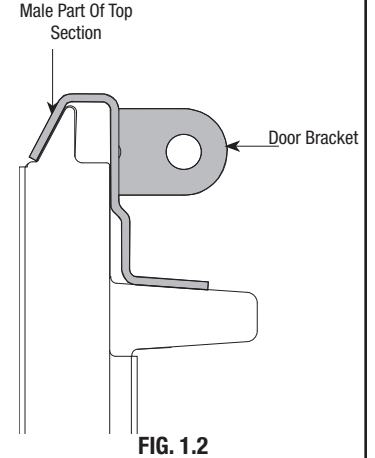


FIG. 1.2

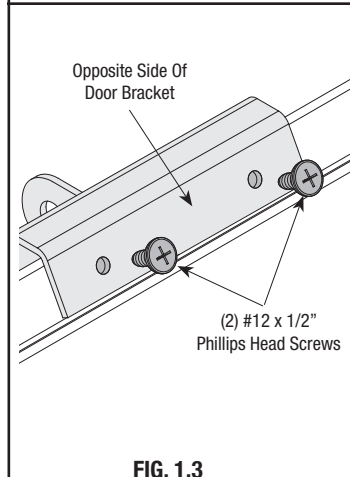


FIG. 1.3

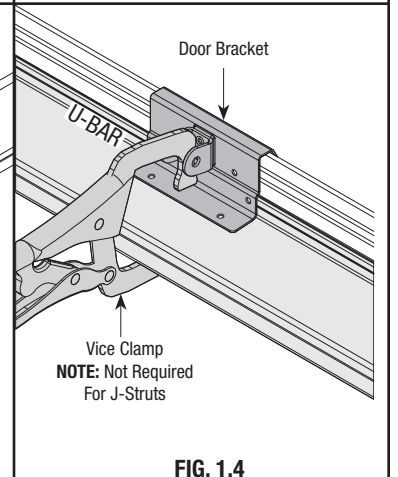


FIG. 1.4

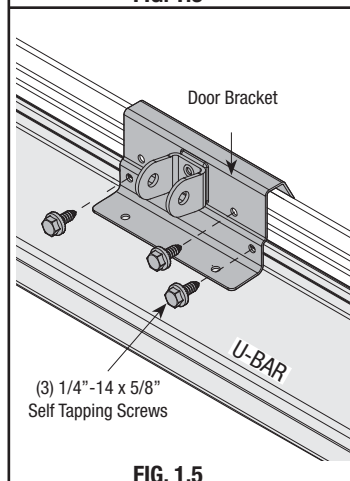


FIG. 1.5

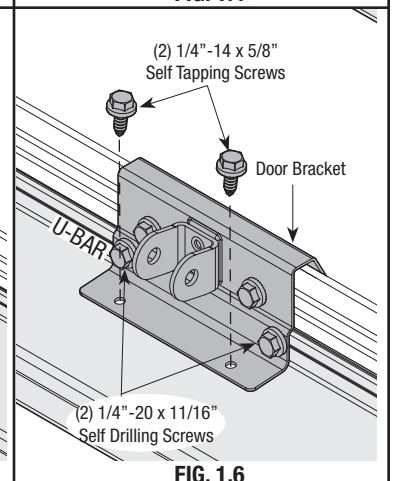


FIG. 1.6

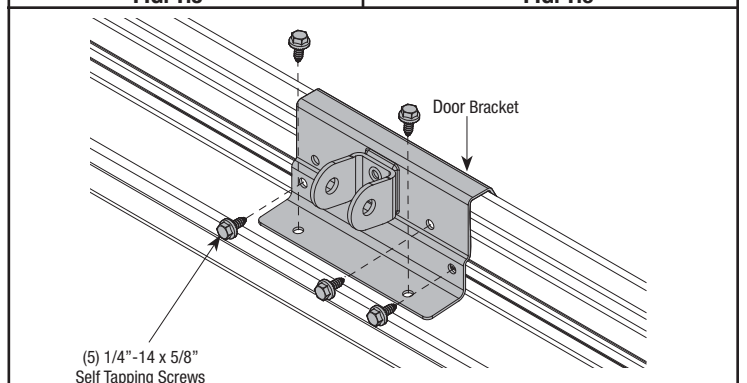


Fig. 1.7 Top Section Without U-Bar



Setting Trolley Close Position/ Connecting Door Arm

(Models 9100, 9400, 9600, 5120, 5140 & 9700)
With TorqueMaster® Or Extension Springs

Tools Needed:

Needle Nose Pliers

Adjustable Wrench

Ratchet Wrench

7/16" Socket

9/16" Socket

Hacksaw

DETERMINE THE WAYNE-DALTON TRACK RADIUS BEING USED:

FOR MOUNT HOPE AND PENSACOLA TRACK:

Measure the curved ends of the horizontal track to determine if you have a 12" or 15" radius horizontal track, as shown in FIG. 1.

FOR PORTLAND TRACK:

The horizontal tracks are stamped with radius on the side of the horizontal track, as shown in FIG. 1.1.

NOTE: If necessary, remove the upper arm (straight arm) from the trolley, to use the lower arm (curved arm). Remove the hairpin cotter from the clevis pin at the front of trolley and slide clevis pin out far enough to slide the upper arm out between the left and right side of trolley body. Position the lower door arm so the end with the single hole lines up with the clevis pin. Slide clevis pin completely back into trolley and reinstall hairpin cotter.

LOW HEADROOM:

If you have low headroom track, as shown in FIG. 1.6 on page 24, then proceed with "Low Headroom Trolley Positioning Charts" on page 24.

STANDARD LIFT:

Using the **STANDARD LIFT TROLLEY POSITIONING CHARTS**, refer to DIM "X" to set the distance from header to trolley, as shown in FIG. 1.2.

NOTE: Depending on your setup, you may have to cut straight arm to accomplish trolley settings.

STANDARD LIFT TROLLEY POSITIONING CHART FOR (MODELS 9100, 9400, 9600, 5120 & 5140) 10" AND 12" RADIUS

DIM "X"	TYPE OF ARM BEING USED	REFERENCE ILLUSTRATIONS
11 1/2"	CURVED / STRAIGHT	FIG. 1.4

If adjustment of the trolley position is required, use the close travel adjustment screw located on the bottom of the opener, as shown in FIG. 1.5 on page 24. A 1/4 turn equals approximately 1" of trolley travel; turn clockwise to decrease distance (forward) and counter-clockwise to increase distance (forward).

NOTE: Proceed with "Connecting Door Arm To Door" Step 18, on page 14.

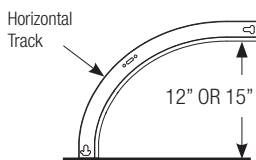


FIG. 1

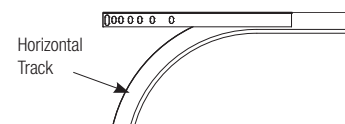


FIG. 1.1

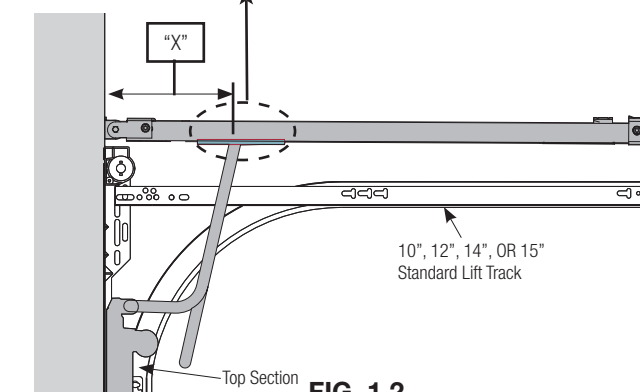
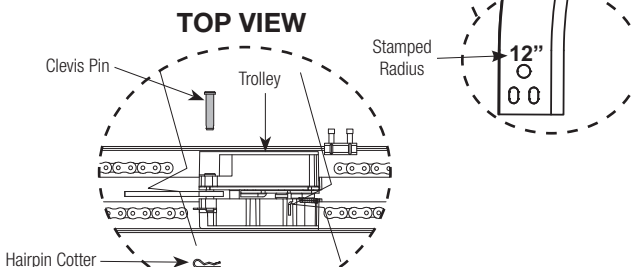


FIG. 1.2

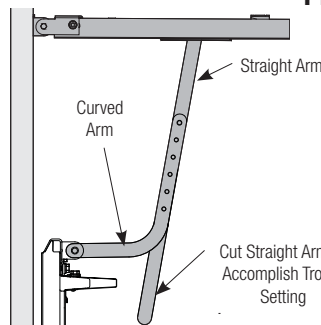


FIG. 1.3

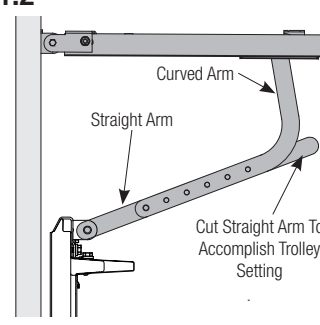


FIG. 1.4

STANDARD LIFT TROLLEY POSITIONING CHART FOR (MODELS 9100, 9400, 9600, 5120 & 5140) 14" AND 15" RADIUS

DIM "X"	TYPE OF ARM BEING USED	REFERENCE ILLUSTRATIONS
13"-15"	CURVED / STRAIGHT	FIG. 1.4

STANDARD LIFT TROLLEY POSITIONING CHART FOR (MODEL 9700) 15" RADIUS

DIM "X"	TYPE OF ARM BEING USED	REFERENCE ILLUSTRATIONS
10 9/16"-14 5/8"	STRAIGHT / CURVED	FIG. 1.3

Setting Trolley Close Position/ Connecting Door Arm (Continued)

LOW HEADROOM:

Using the **LOW HEADROOM TROLLEY POSITIONING CHARTS**, refer to **DIM "X"** to set the distance from header to trolley, as shown in FIG. 1.6.

NOTE: Depending on your setup, you may or may not have to cut straight arm to accomplish trolley settings.

If adjustment of the trolley position is required, use the close travel adjustment screw located on the bottom of the opener, as shown in FIG 1.5. A 1/4 turn equals approximately 1" of trolley travel; turn clockwise to decrease distance (forward) and counter-clockwise to increase distance (forward).

LOW HEADROOM TROLLEY POSITIONING CHART FOR (MODELS 9100, 9400, 9600, 5120 & 5140)

DIM "X"	TYPE OF ARM BEING USED	REFERENCE ILLUSTRATIONS TO THE RIGHT
14 1/2"	CURVED / STRAIGHT	FIG. 1.7
OPTIONAL HOOKUP		
10" - 14"	STRAIGHT	FIG. 1.7a

LOW HEADROOM TROLLEY POSITIONING CHART FOR (MODEL 9700)

DIM "X"	TYPE OF ARM BEING USED	REFERENCE ILLUSTRATIONS
14 3/4"- 17 11/16"	CURVED / STRAIGHT	FIG. 1.7
OPTIONAL HOOKUP		
10" - 14"	STRAIGHT	FIG. 1.7a

NOTE: Proceed with "Connecting Door Arm To Door" Step 18, on page 14.

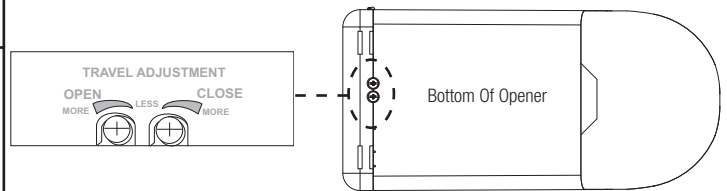


FIG. 1.5

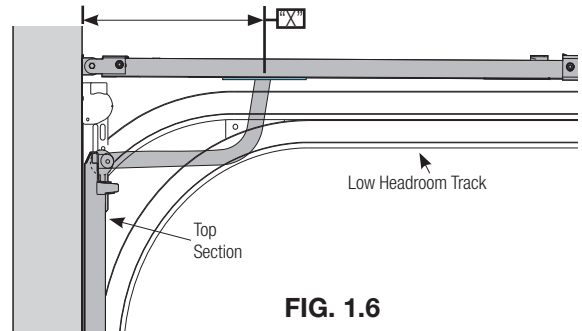


FIG. 1.6

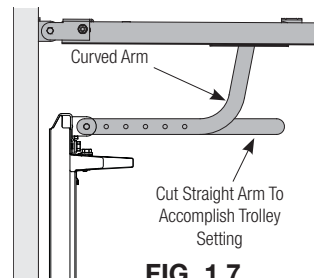


FIG. 1.7

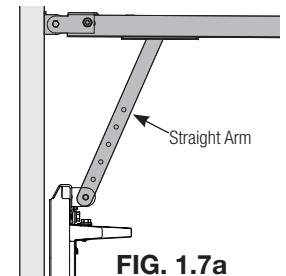


FIG. 1.7a



Setting Trolley Close Position/ Connecting Door Arm

(Models 9100, 9400, 9600, 5120, 5140 & 9700)
With Torsion Springs

Tools Needed:

Needle Nose Pliers

Adjustable Wrench

Ratchet Wrench

7/16" Socket

9/16" Socket

Hacksaw

DETERMINE THE WAYNE-DALTON TRACK RADIUS BEING USED:

FOR MOUNT HOPE AND PENSACOLA TRACK:

Measure the curved ends of the horizontal track to determine if you have a 12" or 15" radius horizontal track, as shown in FIG. 1.

FOR PORTLAND TRACK:

The horizontal tracks are stamped with radius on the side of the horizontal track, as shown in FIG. 1.1.

NOTE: If necessary, remove the upper arm (straight arm) from the trolley, to use the lower arm (curved arm). Remove the hairpin cotter from the clevis pin at the front of trolley and slide clevis pin out far enough to slide the upper arm out between the left and right side of trolley body. Position the lower door arm so the end with the single hole lines up with the clevis pin. Slide clevis pin completely back into trolley and reinstall hairpin cotter.

LOW HEADROOM:

If you have low headroom track, as shown in FIG. 1.5 on page 26, then proceed with "Low Headroom Trolley Positioning Charts" on page 26.

STANDARD LIFT:

Using the **STANDARD LIFT TROLLEY POSITIONING CHARTS**, refer to DIM "X" to set the distance from header to trolley, as shown in FIG. 1.2.

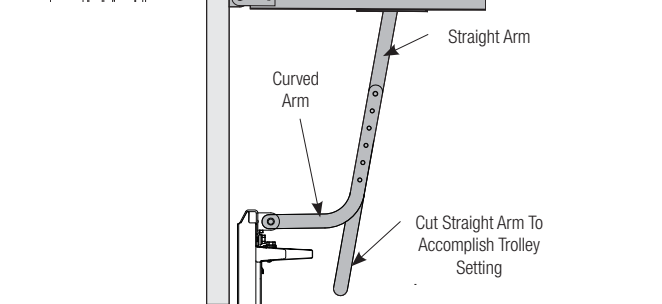
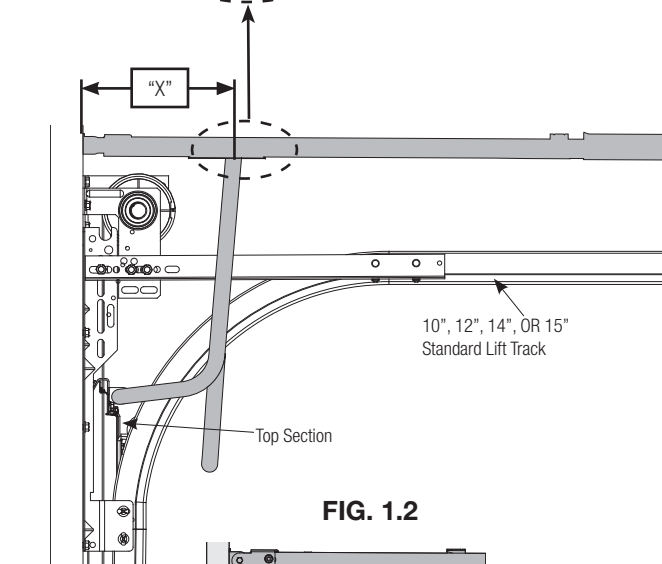
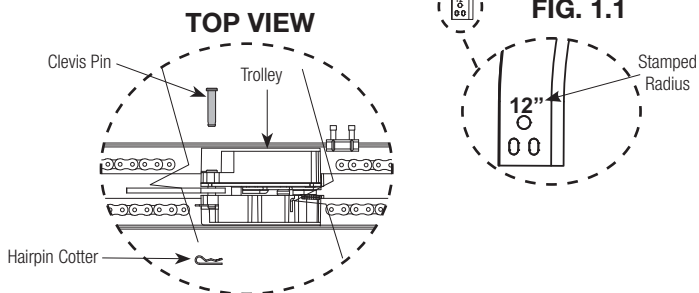
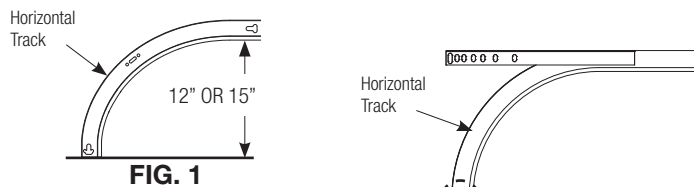
NOTE: Depending on your setup, you may have to cut straight arm to accomplish trolley settings.

STANDARD LIFT TROLLEY POSITIONING CHART FOR 10" AND 12" RADIUS FOR (MODELS 9100, 9400, 9600, 5120 & 5140)

DIM "X"	TYPE OF ARM BEING USED	REFERENCE ILLUSTRATIONS
11 1/2"-13"	STRAIGHT / CURVED	FIG. 1.3

If adjustment of the trolley position is required, use the close travel adjustment screw located on the bottom of the opener, as shown in FIG. 1.4 on page 26. A 1/4 turn equals approximately 1" of trolley travel; turn clockwise to decrease distance (forward) and counter-clockwise to increase distance (forward).

NOTE: Proceed with "Connecting Door Arm To Door" Step 18, on page 14.



STANDARD LIFT TROLLEY POSITIONING CHART FOR 14" AND 15" RADIUS (MODELS 9100, 9400, 9600, 5120 & 5140)

DIM "X"	TYPE OF ARM BEING USED	REFERENCE ILLUSTRATIONS
10"-12"	STRAIGHT / CURVED	FIG. 1.3

STANDARD LIFT TROLLEY POSITIONING CHART FOR (MODEL 9700) 15" RADIUS

DIM "X"	TYPE OF ARM BEING USED	REFERENCE ILLUSTRATIONS
11 1/16"-16 7/8"	STRAIGHT / CURVED	FIG. 1.3

Setting Trolley Close Position/ Connecting Door Arm (Continued)

LOW HEADROOM:

Using the **LOW HEADROOM TROLLEY POSITIONING CHART**, refer to **DIM "X"** to set the distance from header to trolley, as shown in FIG. 1.5.

NOTE: Depending on your setup, you may or may not have to cut straight arm to accomplish trolley settings.

If adjustment of the trolley position is required, use the close travel adjustment screw located on the bottom of the opener. A 1/4 turn equals approximately 1" of trolley travel; turn clockwise to decrease distance (forward) and counter-clockwise to increase distance (forward).

LOW HEADROOM TROLLEY POSITIONING CHART FOR (MODELS 9100, 9400, 9600, 5120 & 5140)		
DIM "X"	TYPE OF ARM BEING USED	REFERENCE ILLUSTRATIONS
20"	CURVED / STRAIGHT	FIG. 1.6
OPTIONAL HOOKUP		
10" - 14"	STRAIGHT	FIG. 1.6a

LOW HEADROOM TROLLEY POSITIONING CHART FOR (MODEL 9700)		
DIM "X"	TYPE OF ARM BEING USED	REFERENCE ILLUSTRATIONS
15"-18"	CURVED / STRAIGHT	FIG. 1.6
OPTIONAL HOOKUP		
10" - 14"	STRAIGHT	FIG. 1.6a

NOTE: Proceed with "Connecting Door Arm To Door" Step 18, on page 14.

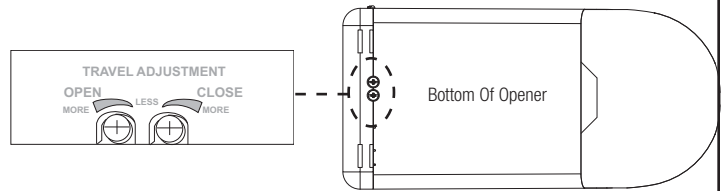


FIG. 1.4

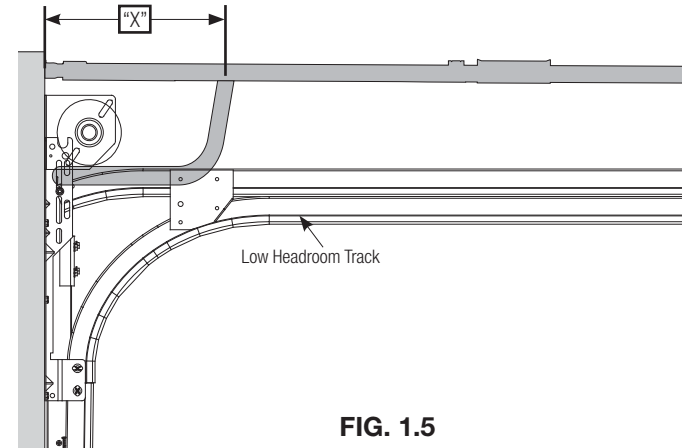


FIG. 1.5

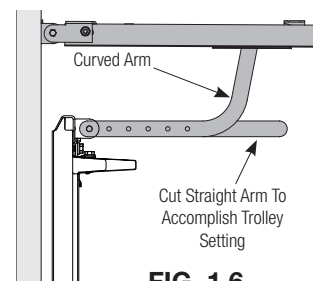


FIG. 1.6

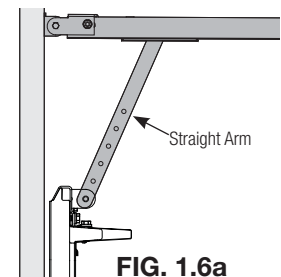


FIG. 1.6a



IMPORTANT SAFETY INSTRUCTIONS

WARNING

TO REDUCE THE RISK OF SEVERE INJURY OR DEATH:

- 1. READ AND FOLLOW ALL INSTRUCTIONS.**
- 2.** Never let children operate or play with the door controls. Keep remote controls away from children.
- 3.** Always keep a moving door in sight and keep people and objects away until it is completely closed. NO ONE SHOULD CROSS THE PATH OF A MOVING DOOR.
- 4.** NEVER GO UNDER A STOPPED, PARTIALLY OPEN DOOR.
- 5.** Test the Door/Opener monthly. The garage door MUST reverse on contact with a 1-1/2 inch high object (or a 2 x 4 board laid flat) on the floor. The door MUST also reverse when a 6" high object is placed on the floor in line with safety sensors. If Door/Opener fails these tests, have adjustments/repairs made immediately. Failure to make adjustments/repairs may cause severe or fatal injury.
- 6.** When possible, use the Emergency Disconnect only when the door is in the closed position. Be very cautious using the Emergency Disconnect when the door is open. Weak or broken spring(s) may allow the door to fall rapidly, causing a severe or fatal injury.
- 7.** KEEP THE GARAGE DOOR PROPERLY BALANCED. See the owner's manual included with the door. An improperly balanced door could cause a severe or fatal injury. Have a qualified service person make repairs to the cables, spring assemblies, and other hardware.

8. SAVE THESE INSTRUCTIONS.

Door activation:

Upon activation by either the wall station Up/Down button, transmitter or wireless keyless entry, the door will move in the following manner:

- 1.** If open, the door will close. If closed, the door will open.
- 2.** If closing, the door will stop. Next activation will open.
- 3.** If opening, the door will stop. Next activation will close.
- 4.** If an obstruction is contacted or the safety sensor beam is interrupted while closing, the door will reverse and the light will flash.
- 5.** If an obstruction is encountered while opening, the door will stop and the light will flash. The next activation will close the door.
- 6.** The Infrared Safety Sensor uses an invisible beam which, when broken by an obstruction, causes a closing door to reverse, prevents an open door from closing and causes the light to flash.

WARNING

ALWAYS KEEP MOVING DOOR IN SIGHT AND KEEP PEOPLE AND OBJECTS AWAY UNTIL IT IS COMPLETELY CLOSED. TO PREVENT A SEVERE OR FATAL INJURY, AVOID STANDING IN A OPEN DOOR WAY OR WALKING THROUGH THE DOORWAY WHILE THE DOOR IS MOVING.

WARNING

NEVER LET CHILDREN OPERATE DOOR OR PLAY WITH THE DOOR CONTROLS. KEEP REMOTE CONTROLS AWAY FROM CHILDREN. FATAL INJURY COULD RESULT SHOULD A CHILD BECOME TRAPPED BETWEEN THE DOOR AND FLOOR.

WARNING

KEEP THE GARAGE DOOR PROPERLY BALANCED. AN IMPROPERLY BALANCED DOOR COULD CAUSE SEVERE OR FATAL INJURY. HAVE A QUALIFIED SERVICE PERSON MAKE ADJUSTMENTS/REPAIRS TO CABLES, SPRING ASSEMBLIES, AND OTHER HARDWARE.

Emergency Disconnect:

WARNING

THE DOOR SHOULD BE FULLY CLOSED WHEN ACTIVATING THE EMERGENCY RELEASE DISCONNECT. WEAK OR BROKEN SPRINGS COULD ALLOW AN OPEN DOOR TO FALL RAPIDLY POSSIBLY CAUSING SEVERE OR FATAL INJURY.

The opener is equipped with an emergency release recessed trolley type disconnect system, enabling manual operation of the garage door during power failure. The trolley is disconnected from the chain by pulling down on the red release knob, allowing the garage door to be operated manually. Do not use the manual release knob to pull the door open or closed. The trolley will automatically reconnect when power is restored and door is activated. If emergency release is used, close door before operating opener.

NOTE: Outside keylock emergency releases are an available accessory and are recommended for garages without a service entrance.

HOW THE LIGHT WORKS AND WHAT IT MEANS WHEN IT FLASHES:

- 1.** Overhead light automatically turns on when opener is activated and remains on for 4 minutes for convenience and safety.
- 2.** The light will flash if opener senses an obstruction in the up or down direction, to warn you of a problem. It will continue flashing for 1 minute, and then shut off.

If the light begins to flash and the door moves a short distance and then reverses from a wall station button, transmitter or keyless entry, the external safety sensor device is activated or defective. To temporarily override safety sensor device and close door, activate wall station up/down button, keeping button depressed; opener will begin in down direction. The button must remain depressed until cycle is completed. If the button is released before cycle is completed, the door will reverse and come to full up position. Problems in the safety system should be corrected by a qualified service person.

NOTE: A fully open door with a blinking light indicates an obstruction or problems with external safety sensors during close travel. See trouble shooting section on page 35.



Operating the Wireless Wall Station

Up/Down Button:

Momentarily pressing the Up/Down button starts or stops door movement or changes door's direction. Pressing and holding Up/Down button during the door's travel will override safety sensors. The Up/Down Button (when unit is closed) can be activated by pressing flip cover.

WARNING

IF DOOR REQUIRES THAT SAFETY SENSORS BE OVERRIDDEN THAT CONDITION MUST BE CORRECTED IMMEDIATELY. FAILURE TO MAKE ADJUSTMENTS/REPAIRS COULD RESULT IN SEVERE OR FATAL INJURY.

Light Button:

Momentarily pressing the light button turns on the convenience light. The light will remain on until either the light button is pressed again or the door is activated. The light automatically turns on with a door activation and remains on for 4 minutes. Pressing the light button before the 4 minutes has elapsed will turn off the light. While the door is in motion, the light button functions identically as the Up/Down button, stopping or reversing the door immediately.

Timer Button:

Momentarily pressing the timer button causes a delayed activation of a stationary fully open door. The light fixture or the opener's lamp will blink on and off for about 10 seconds prior to closing the door, allowing enough time to exit the garage when the opener is in the timer mode. Pressing any button, except the program button while the opener lamp is blinking cancels the timer mode.

NOTE: The timer feature will only function with the door in the full open position. Pressing the timer button with a stationary door in any other position will cause the opener lamp to blink 4 times and the door will not be activated.

While the door is in motion, the timer button functions identical to the Up/Down button, stopping or reversing the door immediately.

Vacation Slide Switch:

The slide switch has two positions: Normal, and Door lock.

Normal position: 

Move the slide switch to normal position for all normal functions of the opener. The normal position will cancel the door lock feature.

NOTE: When the slide switch is moved to the unlocked position the opener light fixture will blink on/off three times.

Door Lock position: 

If the door is stopped (fully open, fully closed or partially open) move the slide switch to the door lock position to suspend all normal functions of the opener. The opener will remain completely disabled and non-operational in this mode. All wall stations, transmitters and keyless entry units are ignored until the slide switch is moved to the normal position. If the door is moving when the slide switch is moved to the door lock position, the door lock mode is not activated and all functions of the opener remain active.

NOTE: When the slide switch is moved to the locked position the opener light fixture will blink on/off three times.

Backlit LED Light:

The red LED blinks intermittently to help you locate the wall station in a dark garage. This blink rate can be changed for longer battery life or can be turned off. The default blink rate is one blink every 3 seconds. For longer battery life the blink rate can be changed to blink once every 6 seconds. To change the blink rate, remove the battery cover and remove one battery. Re-install the battery and within 2 seconds, press the Light button. Re-install the battery cover.

For longest battery life, the blink can be turned off. To turn off the blink, remove the battery cover and remove one battery.

Re-install the battery and within 2 seconds, press the Pet button. Re-install the battery cover.

NOTE: The wall station's red LED will blink rapidly while any wall station button remains pressed.

Pet Position:

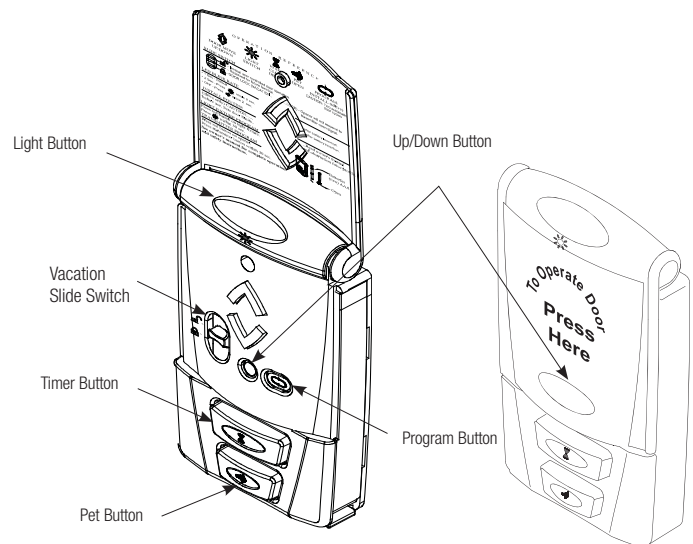
Pressing the pet button opens a closed door to a preset position between 5 and 30 inches above the floor, allowing pets to enter and exit the garage without the door being fully open. The door must be fully closed to activate the pet open feature. Pressing the pet button with a stationary door in the pet open position will cause the door to close. Pressing the Up/Down button while the door is in the pet position will cause the door to open. While the door is in motion, the pet button functions identically to the Up/Down button, stopping or reversing the door immediately. The pet feature allows for custom setting of the pet position door height.

NOTE: A door in the "pet position" (open 5-30 inches) is not locked and should not be used as a secured door position.

Program Button:

The wall station program button has several functions.

- It can be used to set a custom pet position. (see Customizing the Settings, on the next page)
- It can be used to set the opener's closing force (see Adjustment #1 Page 32).





Customizing the Settings

Custom pet position:

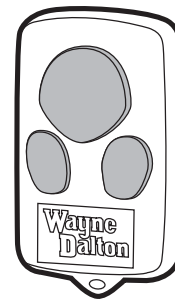
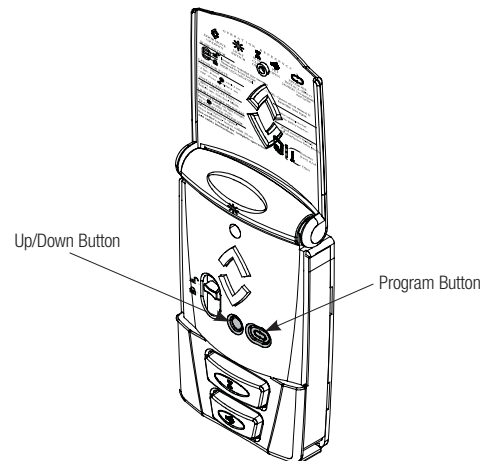
The pet button opens a closed door to a preset position between 5 and 30 inches above the floor, allowing pets to enter and exit the garage without the door being fully open. To change the automatic pet opening height:

Start with the door in the closed position.

1. Operate the door then stop it at the desired height. If desired height is not achieved, the door must be returned to the closed position.
2. Press and release the wall stations program button, or the opener program switch button two times. The status light on the opener unit and the overhead light will flash on and off at a normal rate.
3. Press the pet button. The status light on the opener and the overhead light will flash on and off three times indicating successful programming.

Multi-Door Programming:

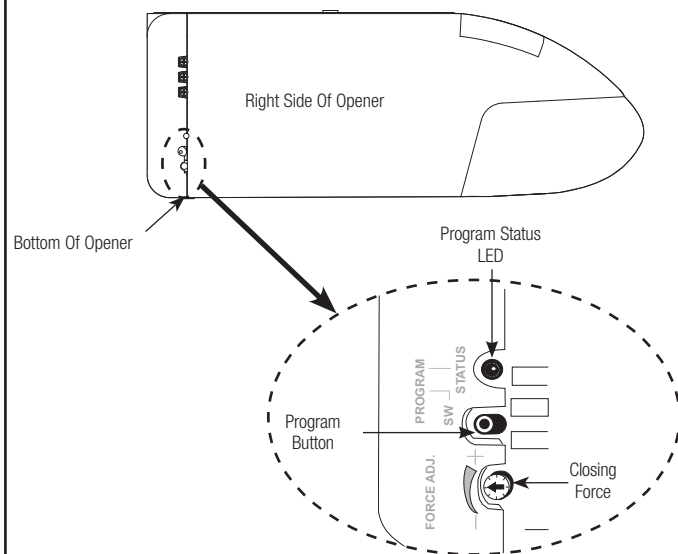
Momentarily pressing the button programmed in the transmitter programming step activates the door. Other buttons can also be programmed to activate different doors, for multi-door installations. Each button or a combination of two buttons pressed simultaneously can be programmed to activate a different door. Only one button at a time can be programmed to activate a specific opener.



Opener Controls

The program button located on the right side of the opener has several functions.

1. Pressing the program button once, will make the status light and overhead lamp turn on steady. This mode allows programming of transmitters, wireless keyless entry, and wireless wall stations (see page 33).
2. Pressing the program button two times will make the status light and overhead lamp blink on and off. This mode allows programming of a custom pet position (see "Customizing The Settings" above).
3. Pressing the program button three times will make the status light and overhead lamp blink on and off with a long pause at each blink cycle. This mode allows programming of the opening force (see page 32).
4. Pressing and holding the program button for 10 seconds will erase all transmitters, multi-function wall station and wireless keyless entry from memory. The status light and overhead light will blink 3 times indicating a successful erase operation.





Primary Programming for HomeLink® to the Prodrive®

NOTE: This step can only be done on automobiles equipped with the HomeLink® System.

NOTE: Programming HomeLink® requires a Wayne-Dalton Transmitter that is programmed to the opener (the wallstation and transmitter(s) supplied with the opener, come pre-programmed from the factory). Any additional wallstation(s) or transmitter(s) will need to be programmed to the opener, see page 33.

IMPORTANT: Use the programming instructions provided with your vehicle first. Follow these instructions if the HomeLink® unit does not learn the transmitter, when using the vehicle's instructions.

NOTE: If Primary Programming does not work then use the Alternate Procedure on next page.

NOTE: Vehicle may need to be in accessory position when programming. Check car owner's manual.

NOTE: HomeLink® is a registered trademark of Johnson Controls.

Programming/Training HomeLink® Unit

WARNING

GARAGE DOOR MAY OPERATE DURING PROGRAMMING. TO AVOID POSSIBLE SEVERE OR FATAL INJURY, PLACE THE EMERGENCY DISCONNECT HANDLE IN THE MANUAL OPERATED POSITION.

1. Pull the manual disconnect to put the opener in the disengaged position.
2. Verify the HomeLink® unit has an empty channel press the desired HomeLink® button and observe the indicator light if it flashes slowly, the channel is empty and ready for programming. If pressing the desired channel/button causes the indicator light to blink rapidly, or come on without blinking this channel is already programmed. You either need to choose a different channel/button on the HomeLink®, or perform Step 3 below.
3. **OPTIONAL** – To completely clear all channels on the HomeLink® unit, press and hold the two outside buttons on the HomeLink® unit until the HomeLink® indicator light begins to flash rapidly (approx. 20 seconds), then release both buttons. (Do not perform this step to train additional hand-held transmitters.) **NOTE:** This operation erases all previously learned transmitters and you will need to re-teach any other transmitters to your HomeLink® unit.
4. Hold the end of the Wayne-Dalton hand-held transmitter approximately 1 to 3 inches away from the HomeLink® surface keeping the HomeLink® indicator light in view.
5. Simultaneously press and hold the Wayne Dalton transmitter large button and desired button on the HomeLink® module, continue to hold both buttons. In less than 10 seconds the LED on the HomeLink® module will either go solid or give a single quick flash, release both buttons when either occur.

NOTE: If this procedure is unsuccessful perform Alternate procedure.

Teaching HomeLink® to the opener

6. Press and release the program switch on the opener. The red program status light on the opener and light will turn on and remain lit for one minute, indicating that it is ready to learn.
7. Press the HomeLink® button used in Step 5 above for 1 to 3 seconds. The program status light and convenience light on the opener will turn on and off three times indicating a successful learn.
8. Press the HomeLink® button once more to operate the door. The opener will activate and the trolley will travel towards open, the next activation will cause the trolley to travel to the closed position and reengage, subsequent operations will move the door.



Alternate Programming for HomeLink® to the Prodrive®

NOTE: This Step can only be done on automobiles equipped with the HomeLink® System.

NOTE: Programming HomeLink® requires a Wayne-Dalton Transmitter that is programmed to the opener (the wallstation and transmitter(s) supplied with the opener, come pre-programmed from the factory). Any additional wallstation(s) or transmitter(s) will need to be programmed to the opener, see page 33.

IMPORTANT: Use the programming instructions provided with your vehicle first. Follow these instructions if the HomeLink® unit does not learn the transmitter, when using the vehicle's instructions.

NOTE: Vehicle may need to be in accessory position when programming. Check car owner's manual.

NOTE: HomeLink® is a registered trademark of Johnson Controls.

Programming/Training HomeLink® Unit



WARNING

GARAGE DOOR MAY OPERATE DURING PROGRAMMING. TO AVOID POSSIBLE SEVERE OR FATAL INJURY, PLACE THE EMERGENCY DISCONNECT HANDLE IN THE MANUAL OPERATED POSITION.

1. Pull the manual disconnect to put the opener in the disengaged position.
2. Press and hold the two outside buttons on the HomeLink® unit until the HomeLink® indicator light begins to flash rapidly (approx. 20 seconds), then release both buttons. (Do not perform this step to train additional hand-held transmitters.) **NOTE:** This operation erases all previously learned transmitters and that you need to re-teach any other transmitters to your HomeLink® unit by repeating steps 3 - 6 below.
3. Hold the end of the Wayne-Dalton hand-held transmitter approximately 1 to 3 inches away from the HomeLink® surface keeping the HomeLink® indicator light in view.
4. Use the large button on the Wayne Dalton transmitter. Simultaneously press and hold desired Homelink® button and the Wayne Dalton transmitter large button. Continue to press both buttons counting LED flashes on the HomeLink® module; between 50 to 60 LED flashes the LED will either come on solid or do one "quick flash"; when either of these occur release both Wayne Dalton transmitter and HomeLink® buttons.

Teaching HomeLink® to the opener

5. Press the program switch on the opener. The red program status light on the opener and light will turn on and remain lit for one minute, indicating that it is ready to learn.
6. Press the HomeLink® button used in Step 4 above for 1 to 3 seconds. The program status light on the opener will turn on and off three times indicating a successful learn.
7. Press the HomeLink® the opener will activate and the trolley will travel towards open, the next activation will cause the trolley to travel to the closed position and reengage, subsequent operations will move the door.



Adjustments

Adjustment # 1 Opening and Closing Force

This garage door opener is built with a safety system that allows the door to reverse when closing and stop when opening. This must be adjusted so your opener does not use excessive force in the down direction or react to the weight of the door during upward travel.

CLOSING FORCE ADJUSTMENT

To help determine that the closing door force is not excessive, grasp the door handle or bottom edge during downward travel. The opener should REVERSE to this force.

NOTE: Do not stand under door during this test.

To adjust the closing force follow one of the two methods listed below.

Method A (manual)

1. Turn the FORCE ADJ. counter clockwise to decrease force and reversal test until door reacts properly.

Method B (computer assisted)

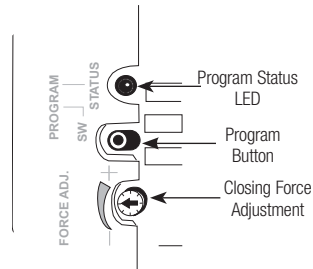
1. Operate the door to the fully open position.
2. Turn the FORCE ADJ. counter clockwise to the minimal force setting.
3. Press the PROGRAM button two times or the PROGRAM button on the Wireless Wall Station (if included) until the LED turns on solid (5 sec.). The STATUS LED and the overhead lamp will flash on and off at a slow rate.
4. Operate the door to the fully closed position.
5. Turn the FORCE ADJ. clockwise until the STATUS LED flickers or just turns off.
6. Press the PROGRAM button once to confirm setting.

OPENING FORCE ADJUSTMENT

To determine that the opening force is not excessive, grasp the door handle or bottom edge during upward travel. If the opener does not stop or is hard to hold, decrease the open force setting. The opener should STOP without using excessive force.

To change the opening force follow the procedure listed below.

1. Operate the door to the fully closed position.
2. Press the PROGRAM button three times. The STATUS LED and the overhead lamp will flash on and off. The blink rate, which corresponds to the force setting, will consist of 1 to 5 fast blinks followed with a long pause between blink sequences.
3. The first time an attempt is made to increase the force, the setting will begin at the lightest setting (1 blink).
4. To increase the force, press and release the door up/down button on any control (The STATUS LED will remain lit during button press).
5. Continue to press and release the door button until the desired force setting is achieved.
6. Press the PROGRAM button once to confirm setting.



repeat

Adjustment # 2 Contact Obstruction Sensing (Closing Direction)

The opener is designed to automatically reverse the door during closing travel whenever it comes in contact with a 2 x 4 laid flat on the floor. An object on the floor with a height less than 1-1/2" will not cause the door to reverse. (Test according to instructions in Step 21.)

If opener reverses properly with a 2 x 4 laid flat on the garage floor (Step 21) and stops without the solid test object in the fully closed position, proceed to Adjustment # 3.

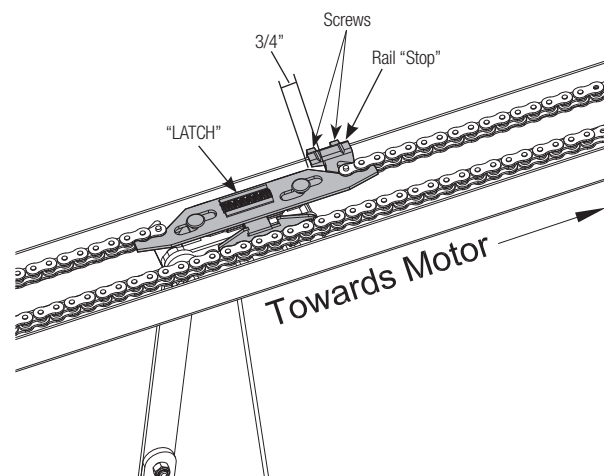
When door comes in contact with a 2 x 4 laid flat on the garage floor and stops instead of reversing, reset the door close limits according to instruction in Step 19, adjusting until door reverses upon contact with a 2 x 4 laid flat on the garage floor.

If door reverses when it comes in contact with the floor, reset the door close limits according to instruction in Step 19.

Adjustment # 3 Positive Mechanical Door Lock

The garage door opener is designed with an automatic mechanical locking system. This lock secures the door in the fully closed position.

To adjust, activate the door opener and allow the door to go to its fully closed position. Loosen the two screws on the rail stop and move it behind the latch assembly with a gap of 3/4" between "stop" and "latch". Retighten screws.





Programming Wireless Wall Station(s) Or Transmitter(s) to Opener

Tools Needed:

None

WARNING

DURING PROGRAMMING THE GARAGE DOOR MAY OPERATE. KEEP PEOPLE AND OBJECTS CLEAR OF THE MOVING DOOR TO PREVENT DOOR DAMAGE OR POSSIBLE PERSONAL INJURY.

NOTE: Programming failure can occur if the wall station or transmitter is too close to the opener during the programming sequence. There must be a minimum of 6 feet between the wall station/transmitter and the opener.

NOTE: The opener can be activated by up to 8 remote transmitters, 2 wall stations and 2 keyless entries. If a 9th remote is programmed the first remote programmed will be lost from memory. The same is true if a third wall station or a third keyless entry is programmed, the first will no longer be in memory and will not operate the opener.

NOTE: Do not press any button on the wall station or transmitter until instructed.

TRANSMITTER:

1. Press and release the PROGRAM button located on the garage door opener. The red PROGRAM STATUS light on the opener unit and the overhead lamp will turn on and remain lit for one minute, indicating activation of the learn mode.

2. Press one of the buttons on the transmitter you wish to use to operate the door. The PROGRAM STATUS light on the opener will turn on and off three times indicating a successful learn.

3. Press the same button on the transmitter once more to confirm operation. The opener will turn on and move the door.

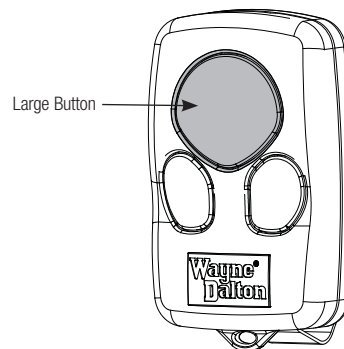
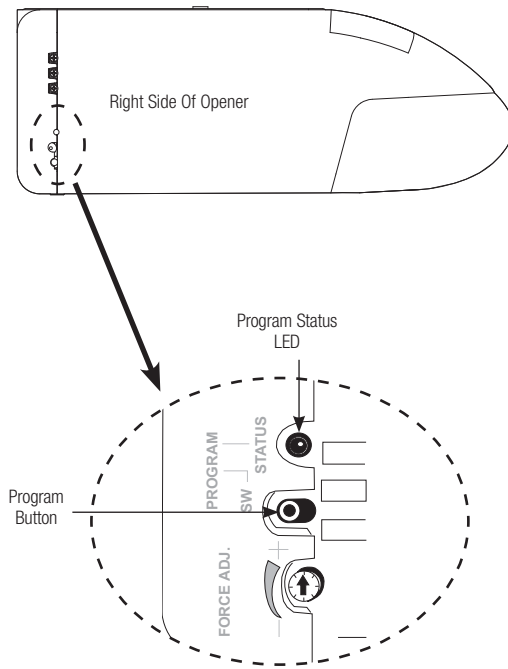
At this point you will be able to activate the opener.

WALL STATION:

1. Press and release the PROGRAM button located on the garage door opener. The red PROGRAM STATUS light on the opener unit and the overhead lamp will turn on and remain lit for one minute, indicating activation of the learn mode.

2. Press the light on/off button on the wall station. The program status light will turn on and off three times indicating a successful learn.

3. Press the light on/off button on the wall station once more to confirm operation. The overhead light will toggle from on to off and from off to on. At this point you will be able to activate the opener.



Transmitter



Wall Station



Maintenance

Monthly Maintenance:

1. Lubricate hinges and rollers of garage door.
2. Inspect the door for loose fasteners, worn or frayed counterbalance cables and the presences of legible safety labels/ tags. Have repairs made by a qualified service person. Contact customer assistance for free replacement safety labels/ tags.
3. With door fully closed, pull down on the emergency disconnect to manually operate the door. If the door feels unbalanced or binds, have a qualified service person make necessary adjustments or repairs to the door.
4. Perform the contact/obstruction tests. See Steps 21 and 22 for the contact/obstruction test instructions. If door/opener fails contact/obstruction test reset the door close limits according to the instructions in Step 19, adjusting until door reverse on contact with a 2 x 4 board laid flat on the garage floor. If opener still fails, have a qualified service person make adjustments/repairs or this could result in severe or fatal injury.
5. Failure of door/opener to respond to transmitter, multi-function wall station or wireless keyless entry may be due to a weak or dead battery. Replace the battery.

Twice a Year:

Check chain tension. If chain rests on bottom of rail, adjust tension by turning the two chain adjusting nuts at the end of the rails (opposite the opener end) clockwise. Make sure to adjust both nuts equal amounts and until chain is approximately 1/2" above the bottom of rails when measured in the middle of the rail length.

Battery Replacement for Wall Station:

Remove the battery cover completely (right-hand side of wall station) by disengaging the battery cover's lower clip; remove the old batteries. Install two AAA batteries into the wall station observing the polarity, (+) and (-), of both batteries. After a few seconds, the red LED will begin to blink every three seconds. If it is desired to slow the LED blink rate refer to the wall station operation section on page 28 "Backlit LED Lights". Re-install the battery cover by first inserting its top into the wall station then inserting and securing its bottom.

Note: Use only two AAA batteries.

Note: Dispose of dead batteries properly.

Battery Replacement for Transmitter:

Insert a coin in the coin slot of the transmitter and twist coin to access the dead battery. Replace the battery, being careful to match the positive (+) symbols on the circuit boards with the battery; snap case back together.

Note: Transmitters use (1) CR2016 or equivalent battery.

Note: Dispose of dead battery properly.

Battery Replacement for Wireless Keyless Entry:

To change battery, snap open case with a coin and remove old battery. Replace the battery, being careful to match the positive (+) symbols on the circuit boards with the battery; snap case back together.

Note: Keyless entries use (1) CR2032 or equivalent battery.

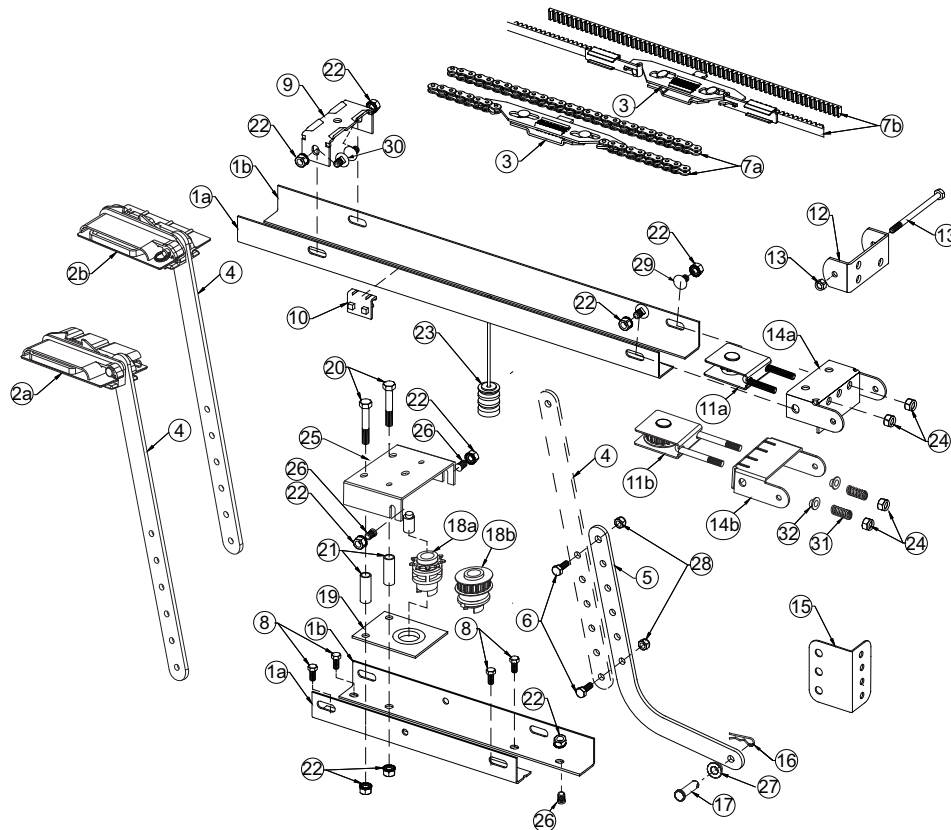
Note: Dispose of dead battery properly.



Troubleshooting

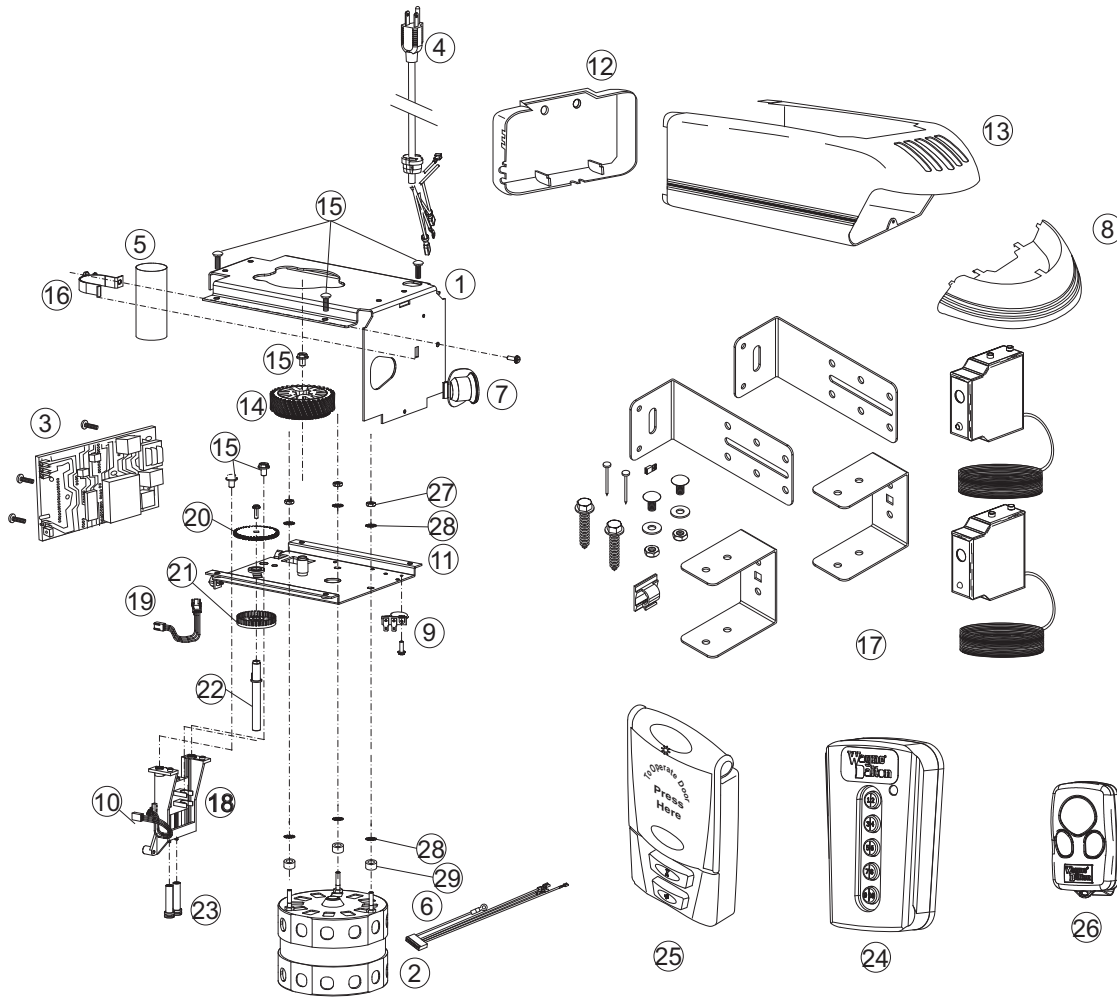
SYMPTOM	PROBABLE CAUSE	CORRECTIVE ACTION
Opener won't work from wall button or radio control.	No power to opener. Short circuit in wires to opener or wall button. Motor Protector trips open due to excessive use.	Check cord to outlet, wall switch and circuit breaker. Isolate by disconnecting the wires at the opener from the wall station. Allow motor to cool for 20 minutes and try again.
Opener works from wall button but not from radio control.	Radio control system non-operational.	Weak or dead battery in transmitter replace. Security code not matched between receiver and transmitter (see page 33) If two or more transmitters don't work, have motor control board tested.
Door does not open and opener light flashes.	Something obstructing door travel. Insufficient opening force. Build up of ice and snow around door.	Disconnect door from operator. Operate door by hand to locate obstruction or call a service person. Adjust opening force. (See Adj. #1 on page 32). Shovel and clear door area.
Door does not open fully and light does not flash.	Open limit not set properly.	Adjust open travel with screwdriver, turn counter-clockwise to desired setting. 1/4 turn equals 1" of travel (see Step 20).
Door stops and does not close fully.	Close limit not set properly.	Adjust close travel with screwdriver, turn clockwise to desired setting. 1/4 turn equals 1" of travel (See Step 19).
Door closes and then returns to fully open position and opener light flashes.	Door arm adjustment. Close travel adjustment is set beyond normal door position. Obstructions on floor.	Adjust door arm (See Step 17 and 18). Adjust close travel with screwdriver, turn counter-clockwise to desired setting. 1/4 turn equals 1" of travel (See Step 19). Check for stones or ice under door and remove.
When activated with door in fully open position, door travels for 1 second, stops, and returns to fully open position and light begins to flash.	Infrared safety sensors out of adjustment or defective. Obstructions in door opening.	Infrared safety sensors alignment should be checked per instructions. (See Step 16). Check for object blocking Infrared safety sensors.
Door reverses travel before reaching fully closed position and opener light flashes.	Activation of obstruction sensing system. Loose or hanging objects on door activating Infrared safety sensor. Insufficient closing force.	Check for binding in door travel (door "stops", door tracks, etc). Remove objects. Adjust closing force. (See Adj. #1 on page 32).
Door fully opens and then light flashes.	Open limit is set too high and trolley is hitting the stop bolt.	Adjust open travel with screwdriver, turn clockwise to desired setting. 1/4 turn equals 1" of travel (see Step 20).

Parts Breakdown Rail Assembly - All Models



#.	Part #	Description	# Per Unit	#.	Part #	Description	# Per Unit
1a.	325756	R.H. Rail (7')	1	12.	220959	Front Wall Bracket	1
	325758	R.H. Rail (8')	1	13.	157559	1/4" - 20 x 4" Hex Head Bolt w/ Lock Nut	1
	325760	R.H. Rail (10')	1	14a.	220958	Front Bracket - Chain	1
1b.	325753	L.H. Rail (7')	1	14b.	320696	Front Bracket - Belt	1
	325757	L.H. Rail (8')	1	15.	220956	Door Bracket	1
	325759	L.H. Rail (10')	1	16.	326207	Hairpin Cotter	1
2a.	324527	Trolley Assembly - Chain	1	17.	326206	5/16" x 1-1/4" Multi-Grip Clevis Pin	1
2b.	320697	Trolley Assembly - Belt	1	18a.	325022	Sprocket Coupling w/ Bushing - Chain	1
3.	309960	Chain Latch Assembly	1	18b.	325687	Sprocket Coupling w/ Bushing - Belt	1
4.	324273	Door Arm (Upper)	1	19.	252106	Sprocket Base Assembly	1
5.	324272	Door Arm (Lower)	1	20.	251228	5/16" - 18 x 2" Hex Bolts	2
6.	308967	1/4" - 20 x 3/4" Machine Bolt	2	21.	221014	Spacer Tubes	2
7a.	325682	Chain, 7'	1	22.	220999	5/16" - 18 KEP Nut	As Req.
	325683	Chain, 8'	1	23.	157143	Red Release Knob	1
	325684	Chain, 10'	1	24.	157665	Adjusting Nuts	2
7b.	325685	Belt, 7'	1	25.	324270	Sprocket Cap Assembly	1
	325686	Belt, 8'	1	26.	157600	5/16" - 18 x 1/2" Self Clinching Bolt	3
	325572	Belt, 10'	1	27.	324200	Nylon Shoulder Bushings	1
8.	157510	Motor Head Mounting Screw 1/4" - 20 x 5/8"	4	28.	157561	Locking Nuts	2
9.	220960	Rail Spacer Bracket	3 or 4	29.	157602	5/16" - 18 x 1/2" Carriage Bolts	As Req.
10.	294674	Rail Stop w/ Set Screw	1	30.	309907	5/16" - 18 x 1/2" Flathead Carriage Bolts	As Req.
11a.	318113	Chain Idler Assembly	1	31.	320693	Tension Springs - Belt	2
11b.	320704	Belt Idler Assembly	1	32.	324200	Nylon Shoulder Bushing - Belt	2

Parts Breakdown Opener Assembly And Accessories - All Models



#.	Part #	Description	# Per Unit	#.	Part #	Description	# Per Unit
1.	157167	Frame	1	16.	301675	Capacitor Clamp	1
2.	325017	Motor 1/2 HP	1	17.	252118	Wired Infrared Safety Sensor Kit	1
3.	306131	Motor Control Board	1	18.	252092	Limit Assembly	1
4.	306364	Power Supply Cord	1	19.	249321	LED Interrupter	1
5.	260570	Capacitor 1/2 H.P.	1	20.	260556	Limit Driver Gear	1
6.	306486	Wiring Harness	1	21.	157039	Interrupter Disk	1
7.	269028	Light Socket	1	22.	260557	Shaft, Limit Driver	1
8.	260552	Lens	1	23.	157055	Limit Adjuster	2
9.	252994	MOV Surge Suppressor	1	24.	306134	5 Button Wireless Keyless Entry	1
10.	252993	Limit Switch	1	25.	311365	Wireless Multi Function Wall station	1
11.	325567	Sub-Frame	1	26.	312962	3 Button Mini Transmitter	1 or 2
12.	325067	End Cap (Blue)	1	27.	157666	Hex Nut #10-32	3
13.	325066	Housing (Blue)	1	29.	157496	Nylon Motor Spacer	3
14.	325020	Gear Driven	1				
15.	251248	Screw 1/4" -20x3/8"	7				

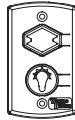
Prodrive® Accessories

Three Button Mini / Visor Transmitter



Controls up to 6 doors or wireless accessories. Includes visor clip.

Wired Deluxe Wall Station



Allows independent door up/down control and overhead light on/off control.

Wireless Multi-Function RF Wallstation

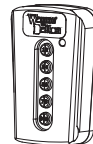


Completely wireless unit with independent door up/down control, light on/off control, custom pet opening, delay exit timer, and program button.

Wireless Keyless Entry

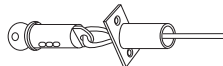


10 digit numeric keypad which allows the operation of the garage door opener from outside by entering a programmable personal code on a keypad. Can be programmed to hundreds of doors.



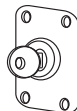
5 digit numeric keypad which allows the operation of the garage door opener from outside by entering a programmable personal code on a keypad. Can be programmed to hundreds of doors.

Key Cable Outside Disconnect



Recommended for all vault type garages without an access door

Outside Key Switch



Used to open the door automatically from outside the garage whenever the remote control is not available. Shipped with 2 keys.

Wire Spool



80ft. 22 gauge, 2 conductor polarized. UL listed (CL-2, 75deg. C.).

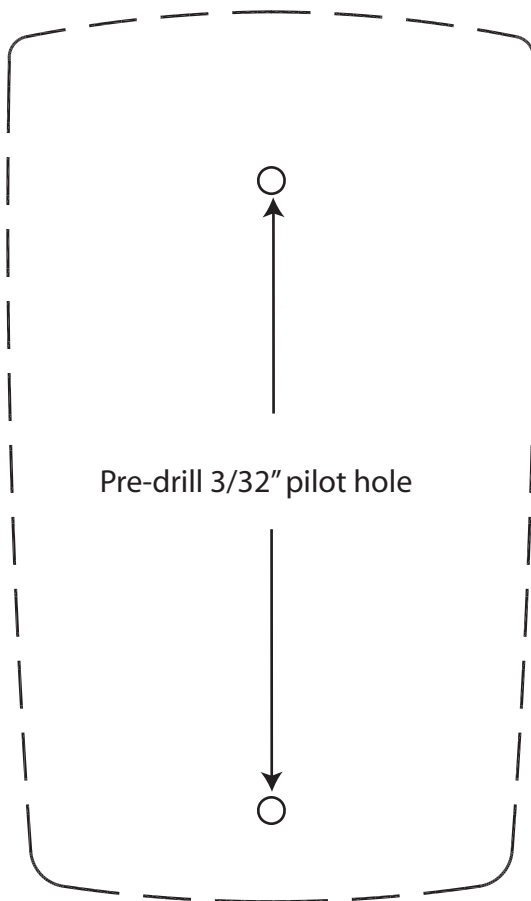
Wired Infrared Safety Sensors



Reversing sensors communicate with door opener via direct wire connections to detect obstructions in path of door and reacts by reversing door.

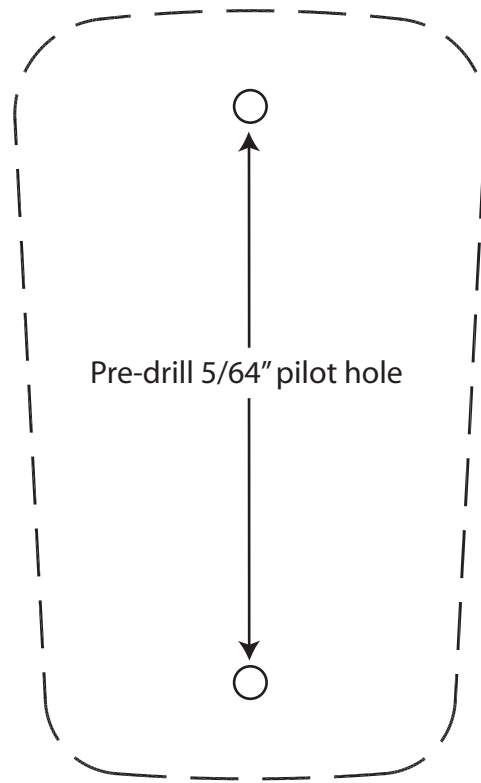


Cut-Out Template to Aid Installation



Pre-drill 3/32" pilot hole

Multifunction
Wall Station Template



Pre-drill 5/64" pilot hole

5 Button
Keyless Entry Template

Please Do Not Return This Product To The Store

Call Us Directly! Our Trained Technicians Will Answer
Your Questions and /or Ship Any Parts You May Need

**Call Us Toll-Free:
(888) 827-3667**

Thank you for your purchase

www.wayne-dalton.com



LIFETIME LIMITED WARRANTY

The Manufacturer warrants that the Prodrive[®] Garage Door Opener's electronic and mechanical components (excluding motor) will be free from defects in materials and workmanship for a period of **ONE YEAR** (Models 3220C, 3221C, 3222C, 3320B, 3322B, 3220C-Z, 3221C-Z, 3222C-Z, 3320B-Z, 3322B-Z) and **FIVE YEARS** (Models 3224C, 3324B, 3224C-Z, 3324B-Z) from the date of installation, provided it is properly installed, maintained and cared for under specified use and service.

The Motor is warranted for **FIVE YEARS** (Models 3220C, 3221C, 3320B, 3220C-Z, 3221C-Z, 3320B-Z) and for **LIFETIME** (Models 3222C, 3224C, 3322B, 3324B, 3222C-Z, 3224C-Z, 3322B-Z, 3324B-Z) against defects in materials and workmanship. Batteries are not warranted.

This Limited Warranty extends to the original homeowner, providing the Prodrive[®] Garage Door Opener is installed in his/her place of primary residence. This Limited Warranty is not transferable. The Limited Warranty applies to residential property only.

NO EMPLOYEE, DISTRIBUTOR, OR REPRESENTATIVE IS AUTHORIZED TO CHANGE THE FOREGOING LIMITED WARRANTY IN ANY WAY OR GRANT ANY OTHER WARRANTY ON BEHALF OF MANUFACTURER.

The Manufacturer shall not be responsible for any damage resulting to or caused by its products by reason of installation, improper storage, unauthorized service, alteration of products, neglect or abuse, any acts of nature beyond Manufacturer's control (such as, but not limited to, lightning, power surges, water damage, etc.), or attempt to use the products for other than the customary usage or for their intended purposes. The above Limited Warranty does not cover normal wear or any damage beyond Manufacturer's control. This Limited Warranty does not cover field replacement labor.

THIS LIMITED WARRANTY COVERS A CONSUMER PRODUCT AS DEFINED BY THE MAGNUSON-MOSS WARRANTY ACT. NO WARRANTIES, EXPRESSED OR IMPLIED, (INCLUDING, BUT NOT LIMITED TO, THE WARRANTY OF MERCHANTABILITY OR FITNESS FOR A PARTICULAR PURPOSE), SHALL EXTEND BEYOND THE APPLICABLE TIME PERIOD STATED IN BOLD FACE TYPE ABOVE.

Claims for defects in material and workmanship covered by this Limited Warranty shall be made in writing, within the warranty period, to the dealer from whom the product was purchased. Manufacturer may either send a service representative or have the product returned to the Manufacturer at Buyer's expense for inspection. If judged by Manufacturer to be defective in material or workmanship, the product will be replaced or repaired at the option of the Manufacturer, free from all charges except authorized transportation and replacement labor. Replacement unit may be an equivalent model that has been factory refurbished. Remainder of original Limited Warranty period will apply to repair/replacement unit.

THE REMEDIES OF BUYER SET FORTH HEREIN ARE EXCLUSIVE AND ARE IN LIEU OF ALL OTHER REMEDIES, THE LIABILITY OF MANUFACTURER, WHETHER IN CONTACT, TORT, UNDER ANY WARRANTY OR OTHERWISE, SHALL NOT EXTEND BEYOND ITS OBLIGATION TO REPAIR OR REPLACE, AT ITS OPTION, ANY PRODUCT OR PART FOUND BY MANUFACTURER TO BE DEFECTIVE IN MATERIAL OR WORK SHALL NOT BE RESPONSIBLE FOR ANY DIRECT, INDIRECT, SPECIAL OR CONSEQUENTIAL DAMAGES OF ANY NATURE.

This Limited Warranty gives you specific legal rights and you may have other rights, which may vary from state to state. However, some states do not allow limitation on how long an implied warranty lasts or the exclusion or limitation of incidental or consequential damages so the above limitations or exclusions may not apply to you.

Patent Information

Models: 3220C, 3221C, 3222C, 3224C, 3320B, 3322B, 3324B, 3220C-Z, 3221C-Z, 3222C-Z, 3224C-Z, 3320B-Z, 3322B-Z, 3324B-Z

Made under the following US patents and methods D413,579; D505,393; 6,326,754; 6,897,630; 6,903,650; 7,109,677; 7,116,072; 7,183,732; 7,190,266; 7,193,502; 7,211,975; 7,280,031; 7,327,107; 7,327,108; 7,327,249; 7,375,484; 7,375,612; 7,376,401. Other US and Foreign Patents pending.

FCC and IC Statement

FCC Regulatory Information:

This device complies with Part 15 of the FCC Rules. Operation is subject to the following two conditions: (1) this device may not cause harmful interference, and (2) this device must accept any interference received, including interference that may cause undesired operation.

IC Regulatory Information:

This Class B digital apparatus meets all requirements of the Canadian Interference Causing Equipment Regulations. Operation is subject to the following two conditions: (1) this device may not cause harmful interference, and (2) this device must accept any interference received, including interference that may cause undesired operation.

NOTE: This equipment has been tested and found to comply with the limits for a Class B digital device, pursuant to Part 15 of the FCC Rules. These limits are designed to provide reasonable protection against harmful interference in a residential installation. This equipment generates, uses, and can radiate radio frequency energy and, if not installed and used in accordance with the instructions, may cause harmful interference to radio communications. However, there is no guarantee that interference will not occur in a particular installation. If this equipment does cause harmful interference to radio or television reception, which can be determined by turning the equipment off and on, the user is encouraged to try to correct the interference by one or more of the following measures: Reorient or relocate the receiving antenna. Increase the separation between the equipment and receiver. Connect the equipment into an outlet on a circuit different from that to which the receiver is connected. Consult the dealer or an experienced radio/TV technician for help.

WARNING: Changes or modifications to this unit not expressly approved by party responsible for compliance could void user's authority to operate this equipment.

prodrive

ACCIONADOR DE PUERTAS DE GARAJE



Transmisión por cadena / correa

Modelos: 3220C, 3221C, 3222C, 3224C, 3320B, 3322B, 3324B

3220C-Z, 3221C-Z, 3222C-Z, 3224C-Z, 3320B-Z, 3322B-Z, 3324B-Z



¡SOLO PARA PUERTAS RESIDENCIALES SECCIONALES ASCENDENTES DE FRANQUEO SUPERIOR!

¡NO UTILIZAR ESTA INFORMACIÓN PARA PUERTAS DE UNA PIEZA!

¡IMPORTANTE! LA PUERTA Y EL ACCIONADOR NO FUNCIONAN CORRECTAMENTE ANTES DE HABERSE INSTALADO SENSORES INFRARROJOS DE SEGURIDAD Y HABÉRSELOS AJUSTADO CORRECTAMENTE!

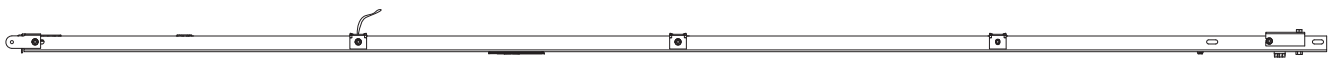
¡AVISO IMPORTANTE!

Leer las instrucciones incluidas cuidadosamente antes de instalar u operar este accionador para puertas de garaje. Prestar atención especial a todas las advertencias y notas. Se HA DE fijar este manual en la pared, cerca de la puerta del garaje.

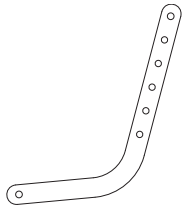
**Wayne[®]
Dalton**
PUERTAS DE GARAJE Y ACCIONADORES

Contenido del paquete

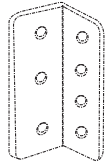
NOTA: Dependiendo del modelo de accionador, es posible que no se suministren algunas piezas enumeradas.



Conjunto de riel con el brazo superior de la puerta



Brazo inferior de la puerta

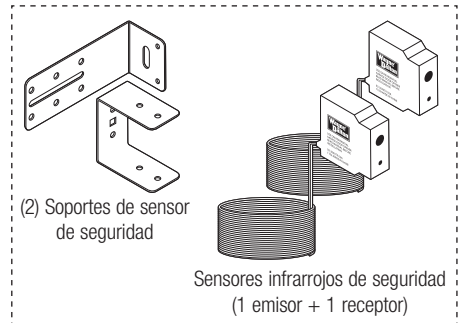


Soporte de puerta



Soportes para montaje en pared

Sensores de seguridad cableados, con herrajes



(2) Soportes de sensor de seguridad

Sensores infrarrojos de seguridad (1 emisor + 1 receptor)



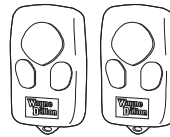
Manual del propietario



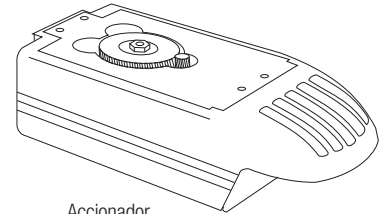
Alambre para timbre



Perilla roja para desenganche de emergencia



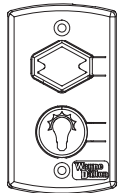
Transmisor de llavero / visera (1 ó 2)



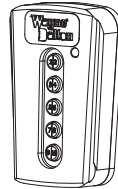
Accionador



Estación multifunción de pared, con herrajes



Estación de lujo, para pared, cableada, con accesorios



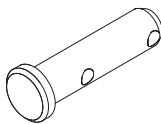
Acceso inalámbrico sin llave, de 5 botones, con accesorios



Etiqueta sobre aprisionamiento



Difusor de luz



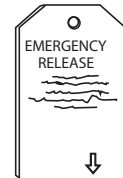
Pasador de horquilla de sujeción múltiple de 5/16" x 1-1/4"



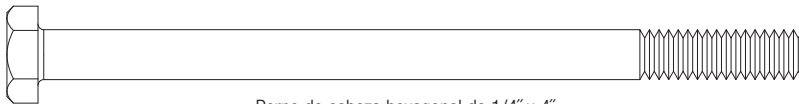
Casquillo de nilón con reborde



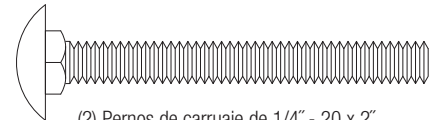
Chaveta hendida



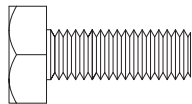
Etiqueta de desenganche de emergencia



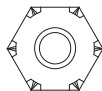
Perno de cabeza hexagonal de 1/4" x 4"



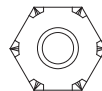
(2) Pernos de carruaje de 1/4" - 20 x 2"



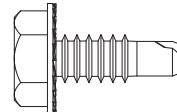
(2) Pernos comunes de 1/4"-20 x 3/4"



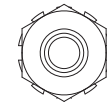
(2) Tuercas Nylock de 1/4"



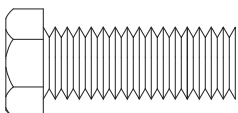
Contratuercas de 1/4" con inserto plástico



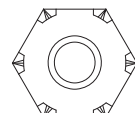
(2) Tornillos autopercutores de 1/4" - 20 x 5/8"



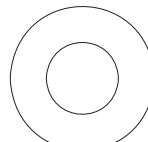
(2) Contratuercas de 1/4"



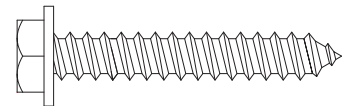
Perno común de 3/8"-16 x 1"



Contratuercas de 3/8" con inserto plástico



Arandela plana de 3/8"



(2) Tirafondos de 1/4" x 1-1/2"

Por favor, no devolver este producto al concesionario. ¡Llámenos directamente! Nuestros técnicos capacitados responderán cualquier pregunta y/o enviarán cualquier pieza necesaria. Se nos puede contactar al número telefónico gratuito 1-888-827-3667 para Asistencia al Consumidor, o bien, en conexión a red a www.wayne-dalton.com

INSPECCIÓN DE LA PUERTA DEL GARAJE **ANTES DE INSTALAR EL ACCIONADOR PRODRIVE®**

Para asegurar que el accionador Prodrive® nuevo funciona como está previsto, la puerta del garaje ha de estar instalada y equilibrada correctamente.

Antes de instalar el accionador de la puerta de garaje, abrir y cerrar la puerta manualmente para asegurarse que ésta funcione sin problemas en toda la altura. No debería tomar mucho esfuerzo abrir o cerrar a mano una puerta equilibrada correctamente. La puerta debería permanecer en la posición abierta o cerrada sin abatirse o correrse hacia arriba. Si una puerta abre rápido, podría ser necesario reducir la tensión de los resortes. Si la puerta desciende rápido, podría ser necesario aumentar la tensión de los resortes.

Si la puerta funciona correctamente, consultar el manual de instalación del Prodrive® para obtener las instrucciones sobre cómo instalar el accionador Prodrive® para puertas de garaje.

Si el funcionamiento de la puerta no satisface estos requisitos, ajustar el equilibrio del resorte según el manual de instalación de la puerta o llamar a un instalador profesional para efectuar los ajustes necesarios antes de instalar el Prodrive®.

Los manuales de instrucciones están disponibles para descarga en www.wayne-dalton.com. También, utilizar el sitio web para encontrar el concesionario profesional más cercano.

Una vez la puerta esté equilibrada correctamente y funcione sin problemas, se puede proceder a la instalación del accionador Prodrive® para puertas de garaje.

Antes de la instalación

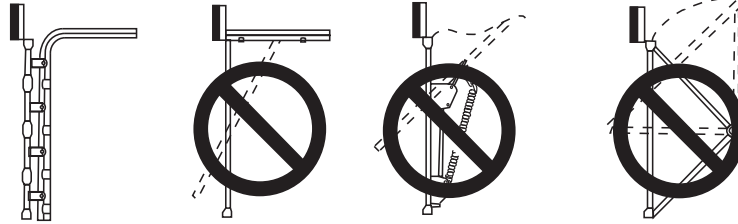
¡IMPORTANTE! Antes de comenzar la instalación, leer estas instrucciones completamente para familiarizarse con todos los aspectos de la instalación y el ajuste.

IMPORTANTE: SI EL GARAJE NO TIENE PUERTA DE ENTRADA DE SERVICIO, INSTALAR UNA CERRADURA EXTERIOR OPCIONAL DE DESBLOQUEO RÁPIDO. ESTE ACCESORIO AYUDA A LA OPERACIÓN MANUAL DE LA PUERTA DE GARAJE DESDE AFUERA EN CASO DE UN CORTE ELÉCTRICO.

IDENTIFICACIÓN DE LA PUERTA

Referirse a las ilustraciones que figuran a continuación para identificar la puerta y verificar que el tipo de la misma sea una puerta seccional con riel curvo. No instalar el accionador si la puerta es cualquier tipo de puerta de una pieza.

NOTA: El accionador se ha diseñado para puertas seccionales. No intentar instalar este accionador en ningún tipo de puerta de una pieza. El uso de este accionador en una puerta de una pieza podría causar lesiones personales graves o daños a la propiedad.



PROBAR LA PUERTA

Antes de comenzar, completar las dos pruebas siguientes para asegurarse que la puerta esté equilibrada y funcione adecuadamente. Una puerta que se pega, atasca o está desequilibrada, podría causar lesiones severas. No intentar compensar el ajuste inadecuado de una puerta mediante la instalación de un accionador. Esto interferirá con el funcionamiento apropiado de las características de seguridad del accionador y/o podría dañar la puerta o el accionador. Contratar a un especialista de mantenimiento para efectuar cualesquier ajustes o reparaciones necesarias antes de proceder con la instalación.

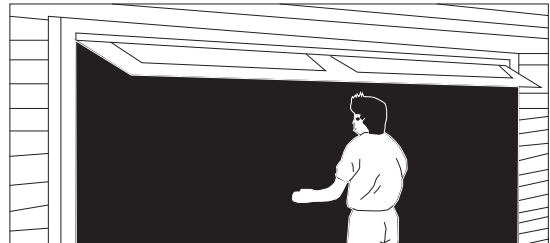
Prueba uno de la puerta

Levantar y bajar la puerta mientras se la examina detenidamente para detectar algún atascamiento o falta de movilidad que pudiera ocurrir. Levantar la puerta aproximadamente hasta media altura, como se ilustra. Al soltar la puerta, ésta debería permanecer en posición. Si la tensión de los resortes tira de la puerta y la abre más o si el peso de la puerta la hace descender, la puerta no está ajustada apropiadamente.



Prueba dos de la puerta

Al instalársela correctamente, una puerta debería permanecer fuera de la abertura cuando se la deja reposar en su posición natural, completamente abierta. Si el "abatimiento de la puerta" tira de la puerta hacia la abertura o la tensión de los resortes no es suficiente para tirar de la puerta y mantenerla completamente libre de la abertura, la puerta no está ajustada correctamente.



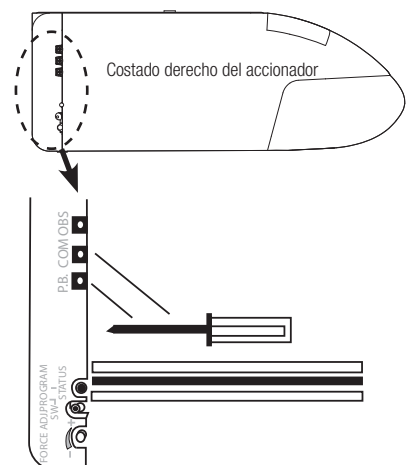
REVISIÓN ANTES DEL MONTAJE

Todo accionador se prueba en la fábrica y se envía con el ajuste del interruptor de límite en la posición CERRADA de la puerta. Si se ha encendido el accionador antes del montaje, realizar los pasos siguientes para asegurarse que el ajuste del interruptor de límite esté en la posición CERRADA de la puerta. Conectar el accionador a una fuente de electricidad y colocar en cortocircuito los bornes de tornillo etiquetados "PB" y "COM" con un destornillador de metal. El motor debería arrancar; marchar a través de un ciclo de APERTURA, (la transmisión de impulsión gira en sentido horario) y para. Esto dejará al accionador en la posición ABIERTA. Para regresar el accionador a la posición CERRADA completa, colocar y mantener en cortocircuito los bornes "PB" y "COM" nuevamente (la transmisión de impulsión gira en sentido antihorario). Continuar colocando los bornes en cortocircuito hasta que el accionador pare en la posición CERRADA. Si se pierde el contacto entre "PB" y "COM", el motor para, se invierte, y vuelve al límite abierto. Repetir con un cortocircuito constante entre "PB" y "COM".

PRECAUCIÓN: MANTENERSE ALEJADO DE TODA PIEZA ROTATIVA Y MÓVIL.

⚠ ADVERTENCIA

EL NO MANTENERSE ALEJADO DE PIEZAS ROTATIVAS Y MÓVILES PUEDE CONDUCIR A LESIONES SEVERAS. Desconectarlo de la fuente de energía y proceder al montaje.



Características del sistema

1. Control de ciclo de apertura y cierre:

Permite arrancar y parar la puerta mediante un pulsador, transmisor o estación de pared. El impulso siguiente envía una puerta de garaje parada en la dirección opuesta.

2. Desconector de emergencia:

Desconexión manual que permite la operación de la puerta durante un corte eléctrico con reconexión automática al reactivarse el accionador. Véase la página 27.

3. Luz del accionador:

Enciende automáticamente cuando el accionador está activado y permanece encendida durante cuatro minutos por cortesía y seguridad.

4. Cerradura mecánica de puerta:

Al estar ajustado correctamente, el accionador bloquea la puerta en la posición cerrada, evitando así el acceso no deseado. Véase el Ajuste nro. 3 en la página 32.

5. Luz de advertencia de obstrucción:

La luz de cortesía destella después de detectar una obstrucción en la dirección descendente y/o si el sistema de seguridad sufre desperfectos mientras está en la posición abierta.

6. Motor:

Permanentemente lubricado, térmicamente protegido, motor para servicio pesado con restauración automática.

7. Sistema de seguridad:

Ajustes independientes de incremento o reducción de la fuerza. Al estar ajustado correctamente, el sistema de seguridad retrocede automáticamente al detectar una obstrucción en la dirección descendente y vuelve a la posición completamente abierta. La puerta para al detectar una obstrucción en la dirección ascendente. Véase el Ajuste nro. 2 en la página 32.

8. Sensores infrarrojos de seguridad:

Sensores de inversión infrarrojos cableados, para retroceder al detectar una obstrucción en la trayectoria de la puerta

9. Estación multifunción de pared:

Wired wall station provides up/down door motion control and La estación cableada de pared brinda control sobre el movimiento de la puerta hacia arriba/hacia abajo y control independiente de encendido / apagado de la luz superior. La estación inalámbrica multifunción de pared brinda control sobre el movimiento de la puerta hacia arriba/hacia abajo, control independiente de encendido / apagado de la luz superior, demora en el descenso de la puerta, función "posición para mascotas" ajustable y botón de programación "posición para mascotas".

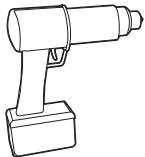
10. Compatibilidad Homelink®:

El accionador es capaz de "aprender a comunicarse" con transceptores Homelink® de automóviles. Visite www.homelink.com.

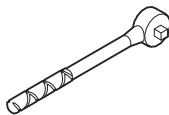
11. Tecnología de código aleatorio cifrado:

Los transmisores inalámbricos, las estaciones multifunción de pared y el acceso inalámbrico sin llave utilizan código aleatorio cifrado, el cual evita que ladrones potenciales "se apoderen" del código digital del transmisor.

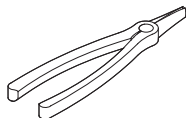
Herramientas necesarias



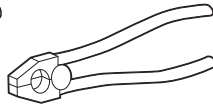
Taladro eléctrico



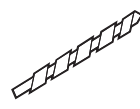
Llave de trinquete



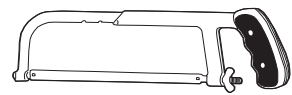
Alicates de punta de aguja



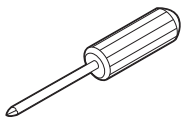
Alicates / cortaalambre



Brocas de 5/64", 3/32", 1/8", 3/16"



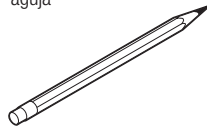
Sierra para metales



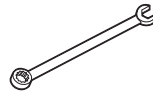
Destornillador de cabeza Phillips



Cubos de 1/4", 3/8", 7/16", 1/2", 9/16"



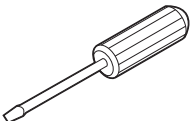
Lápiz



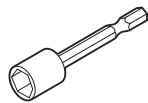
Llave de 7/16"



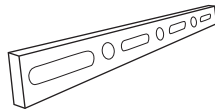
Alicates



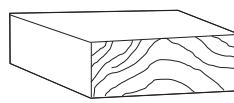
Destornillador de cabeza plana



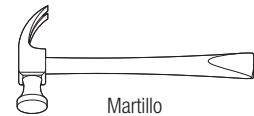
Vástago de cubo de 7/16"



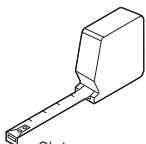
Nivel



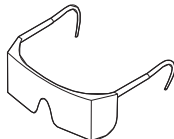
Cuartón de 2 x 4



Martillo



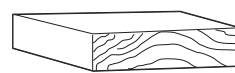
Cinta para medir



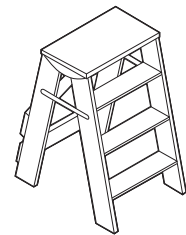
Gafas de seguridad



Llave ajustable



Objeto sólido de 2 x 6 x 12 para prueba



Escalera de tijera no metálica

Por favor, no devolver este producto al concesionario. ¡Llámenos directamente! Nuestros técnicos capacitados responderán cualquier pregunta y/o enviarán cualquier pieza necesaria. Se nos puede contactar al número telefónico gratuito 1-888-827-3667 para Asistencia al Consumidor, o bien, en conexión a red a www.wayne-dalton.com

Tabla de materias

Contenido del paquete	I.
Inspección antes de la instalación.....	II, III
Herramientas necesarias.....	IV.
Instrucciones de seguridad importantes	V.
Instalación del Prodrive®	1-5.
Antes de la operación	6-19.
Instalaciones opcionales	20-26.
Operación.....	27-32.
Programación de la estación inalámbrica de pared o del (de los) transmisor(es) para uso con el accionador	33.
Mantenimiento	34.
Diagnóstico y resolución de problemas	35.
Desglose de piezas de conjunto del riel.....	36.
Desglose de piezas de conjunto del accionador.....	37.
Accesorios.....	38.
Plantillas.....	39.
Número de servicio al cliente	40.
Garantía	41.

Definición de palabras clave utilizadas en este manual:

ADVERTENCIA

INDICA UNA SITUACIÓN POTENCIALMENTE PELIGROSA QUE, DE NO EVITARSE, PODRÍA CONDUCIR A UNA LESIÓN GRAVE O FATAL.

PRECAUCIÓN: HACER CASO OMISO DE LAS INSTRUCCIONES PUEDE CONDUCIR A DAÑOS A LA PROPIEDAD O LESIONES.

IMPORTANTE: PASO NECESARIO PARA EL FUNCIONAMIENTO SEGURO Y CORRECTO DEL ACCIONADOR.

NOTA: Información para asegurar la instalación correcta del accionador.

ADVERTENCIA

LA INSTALACIÓN INCORRECTA PUEDE CONDUCIR A LESIONES GRAVES O FATALES. SEGUIR ESTAS INSTRUCCIONES CUIDADOSAMENTE.

INSTRUCCIONES DE INSTALACIÓN IMPORTANTES

- LEER Y SEGUIR TODAS LAS INSTRUCCIONES DE INSTALACIÓN.**
- No conectar el accionador a la fuente de electricidad sino hasta que así lo indiquen las instrucciones.
- Instalar la etiqueta de advertencia de aprisionamiento junto a la estación de pared en un lugar prominente. Instalar la etiqueta de desconexión de emergencia en la cuerda para desconexión de emergencia.
- Retirar toda cuerda y retirar, o inhabilitar en la posición desbloqueada, todas las cerraduras conectadas a la puerta del garaje antes de instalar el accionador.
- No tener puestos anillos, relojes ni vestir ropa holgada al instalar o dar mantenimiento a un sistema de puerta de garaje.
- Es importante instalar todos los componentes suministrados con el accionador Prodrive®, es decir, estaciones de pared, sensores de seguridad, etc. El uso de piezas no suministradas por Wayne-Dalton Corp. podría causar malfuncionamiento del accionador y crear condiciones inseguras.
- Utilizar protección ocular al instalar el accionador o la puerta o al darles mantenimiento.
- Instalar el accionador en una puerta de garaje equilibrada correctamente y en buen funcionamiento. Contratar a un especialista de mantenimiento para efectuar ajustes o reparaciones a cables, conjuntos de resortes, y otros herrajes antes de instalar el accionador. Una puerta desequilibrada podría causar lesiones graves o fatales.
- Donde sea posible, instalar el accionador a 2.1 metros (7 pies) o más sobre el piso. Montar el desconector de emergencia a 1.8 metros (6 pies) sobre el piso.
- Ubicar la estación de pared: (a) dentro del campo visual de la puerta, (b) a una altura mínima de 1.5 metros (5 pies), de modo que niños pequeños no puedan alcanzarla, y (c) alejada de todas las piezas móviles de la puerta.
- Después de instalar el accionador, la puerta ha de retroceder al entrar en contacto con un objeto de 38 mm (1-1/2") de altura (o un cuartón de 51 mm x 102 mm [2" x 4"] sobre una cara) en el piso.
- La instalación y el cableado han de cumplir los códigos de edificación y eléctrico locales. Conectar el cordón eléctrico a un tomacorriente con conexión apropiada a tierra. No retirar la clavija a tierra del cordón eléctrico.
- Para reducir el riesgo de lesiones personales, utilizar este accionador sólo con puertas seccionales ascendentes de franqueo superior.
- Podría ser necesario reforzar la sección superior de la puerta de garaje antes de instalar el accionador. Consultar al fabricante de la puerta de garaje para obtener las recomendaciones pertinentes.
- No utilizar ajustes de sensibilidad para compensar el mal funcionamiento de una puerta. Esto evitará el funcionamiento correcto de la característica de retroceso de seguridad y podría dañar la puerta y posiblemente causar lesiones graves o fatales.
- Si los sensores infrarrojos de seguridad se ven obstruidos por un objeto de 15 cm (6 pulgadas) de altura colocado en el piso del garaje, la puerta abierta no ha de cerrar y la puerta cerrando ha de retroceder y abrir.
- Utilizar una escalera de tijera no metálica, robusta, al instalar el accionador.

DESPUÉS DE COMPLETARSE LA INSTALACIÓN, ASEGURAR ESTE MANUAL CERCA DE LA PUERTA DEL GARAJE. EFECTUAR PRUEBAS DE OBSTRUCCIÓN MENSUALMENTE Y DE MANTENIMIENTO SEGÚN SE RECOMIENDE. VÉANSE LAS PÁGINAS 17 Y 34.

Por favor, no devolver este producto al concesionario. ¡Llámenos directamente! Nuestros técnicos capacitados responderán cualquier pregunta y/o enviarán cualquier pieza necesaria. Se nos puede contactar al número telefónico gratuito 1-888-827-3667 para Asistencia al Consumidor, o bien, en conexión a red a www.wayne-dalton.com

1

Montaje del accionador en el riel

Herramientas necesarias:

Cubo de 3/8"

Llave de trinquete

IMPORTANTE: LA TRANSMISIÓN DE IMPULSIÓN EN EL ACCIONADOR HA DE ESTAR ALINEADA CORRECTAMENTE CON LA RUEDA DENTADA / CORRUGACIONES DE ACOPLAMIENTO EN EL CONJUNTO DEL RIEL Y LOS PERNOS DE MONTAJE COMPLETAMENTE APRETADOS ANTES DE ENCENDER EL ACCIONADOR; EL HACER CASO OMISO DE ESTO PRODUCIRÁ EL FALLO DE LA TRANSMISIÓN.

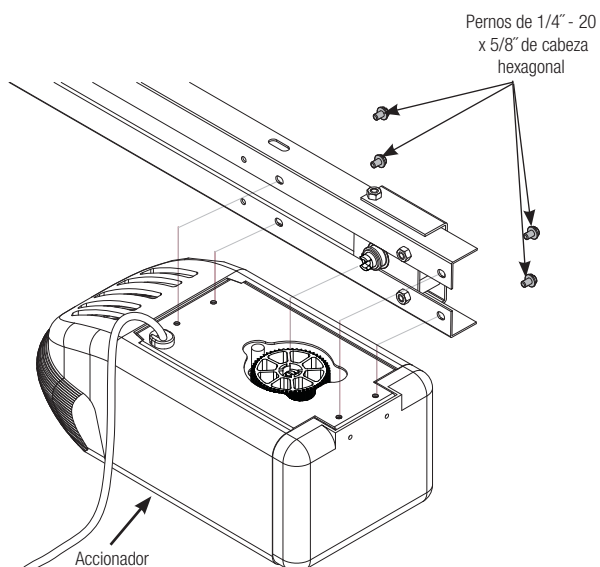
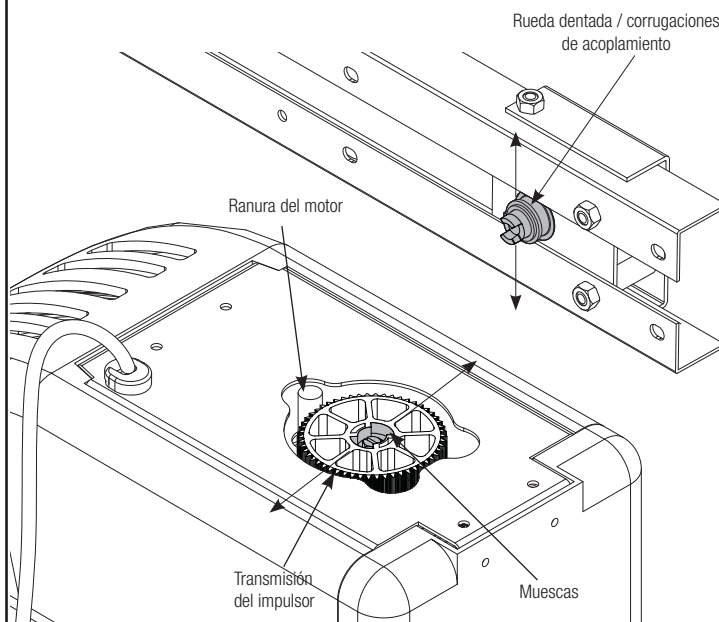
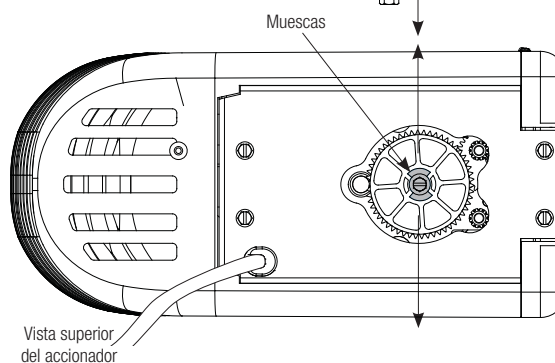
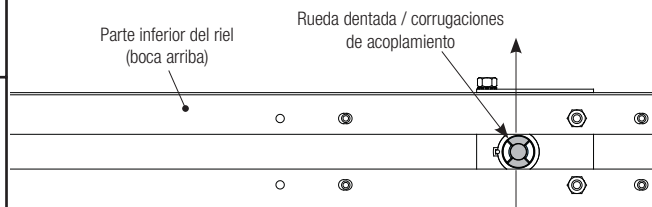
Antes del montaje, alinear la rueda dentada / corrugaciones de acoplamiento con las muescas del engranaje motriz. Rotar la ranura del motor para colocar el engranaje motriz de modo que la muesca más cercana del engranaje motriz esté directamente detrás de la ranura del motor, como se ilustra.

NOTA: No rotarla más de media vuelta.

Colocar el extremo opuesto del riel sobre un apoyo temporal a una altura aproximada de 15 cm (6").

Proceder con la conexión del riel al accionador, asegurando el engranaje apropiado entre la rueda dentada / corrugaciones de acoplamiento y las muescas de la transmisión de impulsión. Realinear si fuera necesario, asegurándose de mantener toda rotación sólo hasta la muesca más cercana. Con los (4) pernos de cabeza hexagonal de 1/4"-20 x 5/8" preinstalados, montar el riel en el accionador con un cubo de 3/8"; apretarlo de manera segura.

NOTA: No enchufar el cordón eléctrico del accionador al tomacorriente sino hasta que el accionador esté completamente instalado y las instrucciones en este manual así lo indiquen.



2

Posicionamiento e instalación del soporte de pared frontal

Herramientas necesarias:

Nivel de carpintero

Vástago de cubo de 7/16"

Taladro eléctrico

Cinta para medir

Broca de 1/8"

NOTA: Se recomienda instalar el accionador de la puerta a 2.1 m (7 pies) o más sobre el piso del garaje.

REFORZAR LA PARED DEL TRAVESAÑO

Reforzar la pared del travesaño (pared sobre la abertura de la puerta) según sea necesario, para asegurar el montaje rígido del soporte de pared frontal.

⚠ ADVERTENCIA

NO INTENTAR AFLOJAR O RETIRAR PORCIÓN ALGUNA DEL SISTEMA DE RESORTES DE LA PUERTA A FIN DE REFORZAR LA PARED DEL TRAVESAÑO O PARA MONTAR UN SOPORTE DE PARED. EL SISTEMA DE RESORTES ESTÁ SOMETIDO A TENSIÓN EXTREMA Y PUEDE CAUSAR LESIONES SEVERAS O FATALES. SE DEBERÍA ENCOMENDAR DICHO TRABAJO A UN ESPECIALISTA EN MANTENIMIENTO.

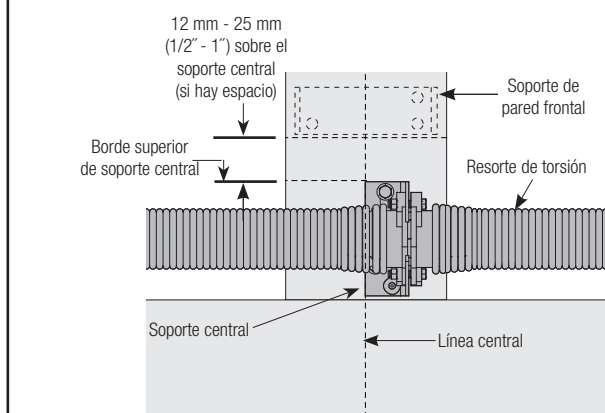
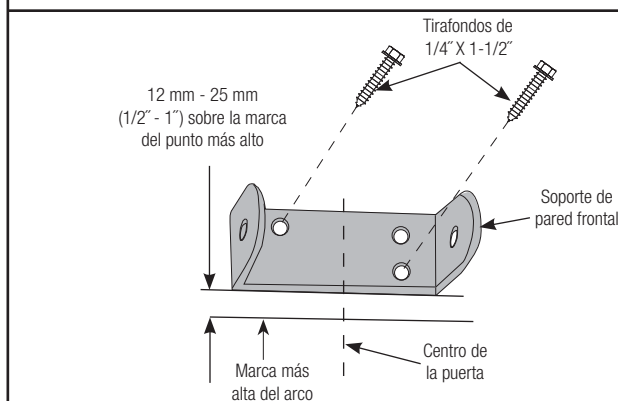
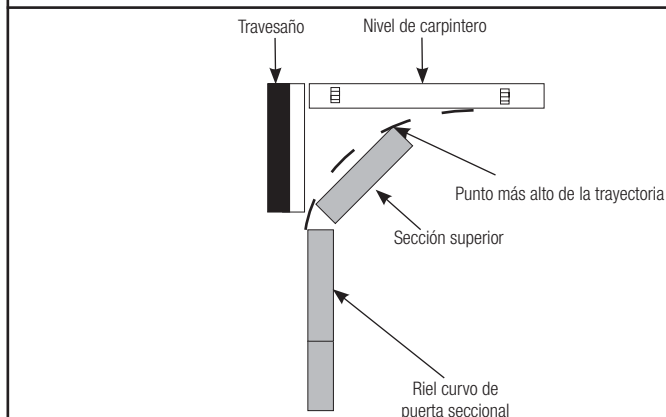
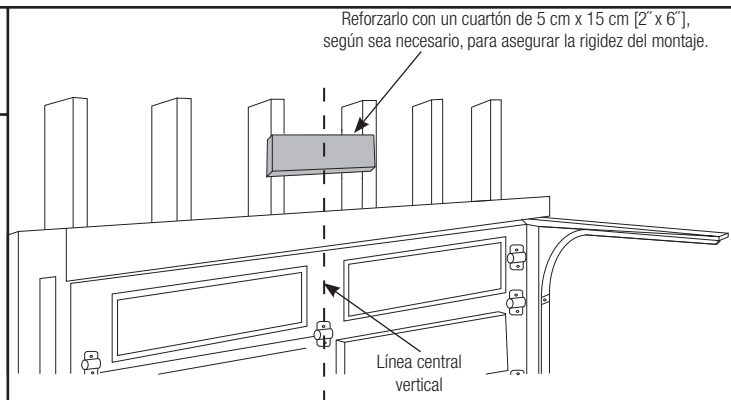
Ubicar la línea central vertical de la puerta del garaje y marcarla en el travesaño sobre la puerta.

Elevar la puerta levemente hasta que la sección superior alcance el punto más alto de la trayectoria (punto más alto del arco); con un nivel de carpintero, transferir y marcar el punto más alto de la trayectoria en la pared del travesaño y cerrar la puerta.

Montar el soporte de pared frontal con su borde inferior aproximadamente de 12 a 25 mm (1/2" a 1") sobre la marca que muestra el punto más alto de la trayectoria y centrado en la línea central vertical.

NOTA: Para contrapeso por torsión en franqueo superior reducido, sujetar el borde inferior del soporte de pared típicamente de 12 mm a 25 mm (1/2" a 1") (si hubiera espacio) sobre el soporte central del resorte de torsión y centrado sobre la línea vertical, tal como se ilustra.

Marcar los dos agujeros de montaje y perforar un agujero piloto con una broca de 1/8". Montar el soporte de pared con los tirafondos de 1/4" x 1-1/2" suministrados para asegurar un montaje rígido.



3

Fijar la unidad en el soporte de pared frontal

Herramientas necesarias:

Cubo de 7/16"

Llave de trinquete

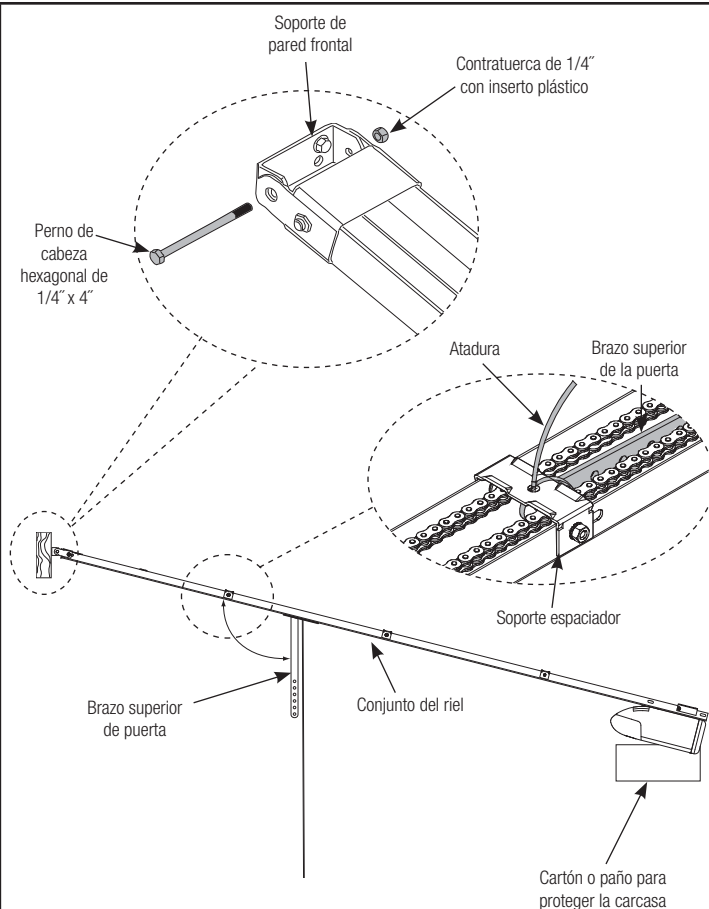
Llave ajustable

Elevar el extremo frontal del conjunto del riel y fijarlo al soporte de pared frontal con el perno de cabeza hexagonal de 1/4" x 4" y la contratuercas con inserto plástico de 1/4" x 4" suministrada. Tener cuidado de no apretar la tuerca excesivamente. Apretarla sólo hasta que el extremo del perno esté al ras con el exterior de la tuerca.

NOTA: Si se tiene un sistema de contrapeso por resorte de torsión, será necesario elevar el accionador y apoyarlo sobre una escalera de tijera para fijarlo al extremo frontal del conjunto del riel al soporte de pared.

El brazo superior de la puerta está asegurado al soporte espaciador con una atadura de envío. Retirar la atadura que une el brazo superior de la puerta al soporte espaciador, para permitir que el brazo gire hacia abajo (véase la precaución).

PRECAUCIÓN: Sostener el brazo superior de la puerta con la mano libre para evitar que el brazo de la puerta gire hacia abajo sin control.



4

Posicionamiento del extremo motor del accionador

Herramientas necesarias:

Cuartón de 51 mm x 102 mm (2" x 4")

Escalera de tijera no metálica

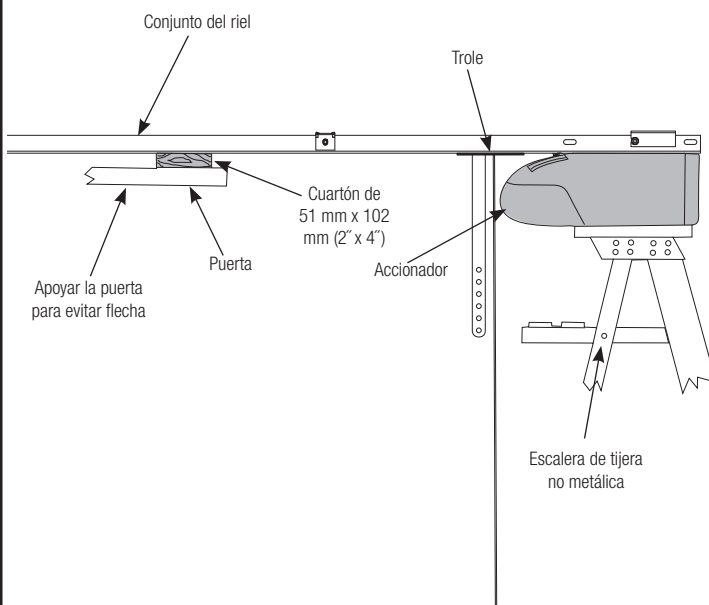
IMPORTANTE: PARA EVITAR DAÑOS A LA PUERTA, NO DESCANSAR EL ACCIONADOR SOBRE LA PUERTA SIN UTILIZAR UN CUARTÓN DE 51 mm x 102 mm (2" x 4") CON UNA LONGITUD MÍNIMA DE 91 cm.

Elevar el extremo del motor del accionador y apoyarlo para poder abrir la puerta hasta la posición completamente abierta. Se podría necesitar ayuda para elevar el extremo del motor si la escalera no es lo suficientemente alta.

IMPORTANTE: PARA EVITAR DAÑOS A LA PUERTA O AL ACCIONADOR, COLOCAR EL TROLE LO MÁS CERCA POSIBLE DEL ACCIONADOR ANTES DE ABRIR LA PUERTA.

Abrir la puerta y colocar un cuartón de 51 mm x 102 mm x 914 mm (2" x 4" x 36"), como mínimo, a lo largo de la sección superior de la puerta del garaje. Descansar el conjunto del riel sobre el cuartón de 51 mm x 102 mm (2" x 4").

Apoyar la sección superior de la puerta para evitar una flecha excesiva.



5

Montaje del extremo del accionador

Herramientas necesarias:

Taladro eléctrico

Sierra para metales

Broca de 1/8"

Cubo de 1/2"

Cubo de 7/16"

Llave de trinquete

Llave ajustable

Cinta para medir

Perfil angular perforado (no suministrado)

PRECAUCIÓN: No utilizar perno o tuerca de la cubierta de transmisión para fijación de suspensores. ¡Esto podría causar desalineamiento de la rueda dentada, cadena o correa, y conducir a daños al accionador o posible lesión personal!

Alinear el centro del conjunto del riel del accionador con la línea central marcada previamente en la sección superior de la puerta del garaje para asegurarse que el riel estará paralelo con la dirección de desplazamiento de la puerta.

Con perfiles angulares perforados (recortarlos a la longitud apropiada) suspender el extremo del accionador en las viguetas de techo. Asegurarse de ubicar las viguetas de techo y efectuar el montaje en las mismas, como se ilustra.

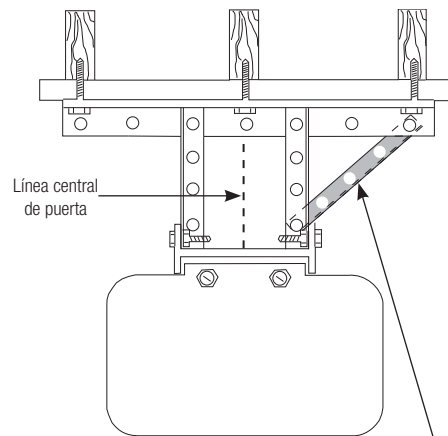
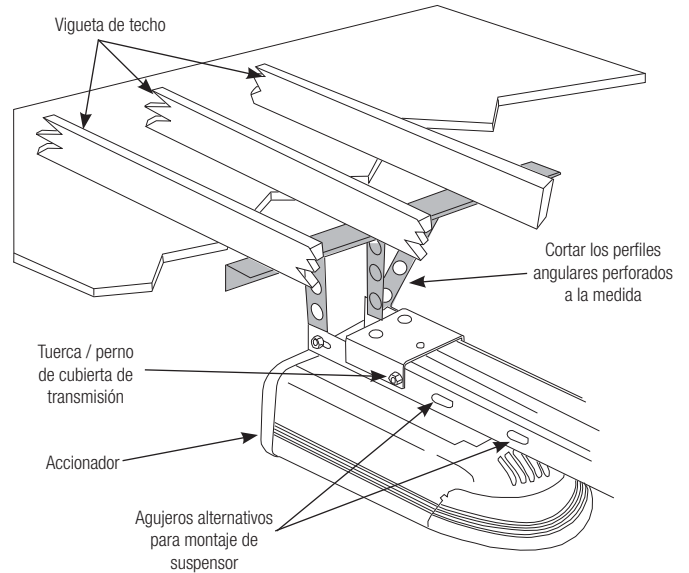
Perforar un agujero piloto con una broca de 1/8" y utilizar tirafondos de 1/4" x 1-1/2" (no provistos) para asegurar un montaje rígido. Fijar el accionador a los perfiles angulares perforados con pernos de 5/16" x 3/4", arandelas de 5/16" y tuercas de 5/16" (no suministrados).

NOTA: Para brindar apoyo rígido, colocar el arriostramiento en ángulo.

Cuando el accionador esté fijado de manera segura a los suspensores perforados, retirar el cuartón de 51 mm x 102 mm (2" x 4") (utilizado para apoyar el conjunto del riel en el Paso 4) y cerrar la puerta.

NOTA: Se recomienda brindar apoyo en el centro a los rieles de 3 m (10') para evitar la formación de una flecha.

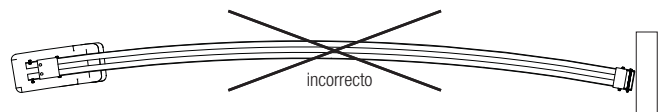
Al instalárselo correctamente, el riel del accionador debe estar alineado perpendicularmente a la puerta del garaje. No debe haber flecha en el riel en ninguna dirección.



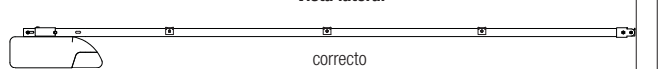
Utilizar arriostramiento en ángulo para asegurar una instalación rígida.

INSTALACIÓN CORRECTA

Vista superior



Vista lateral



6

Montaje de soporte de puerta

Herramientas necesarias:

Cubo de 7/16"

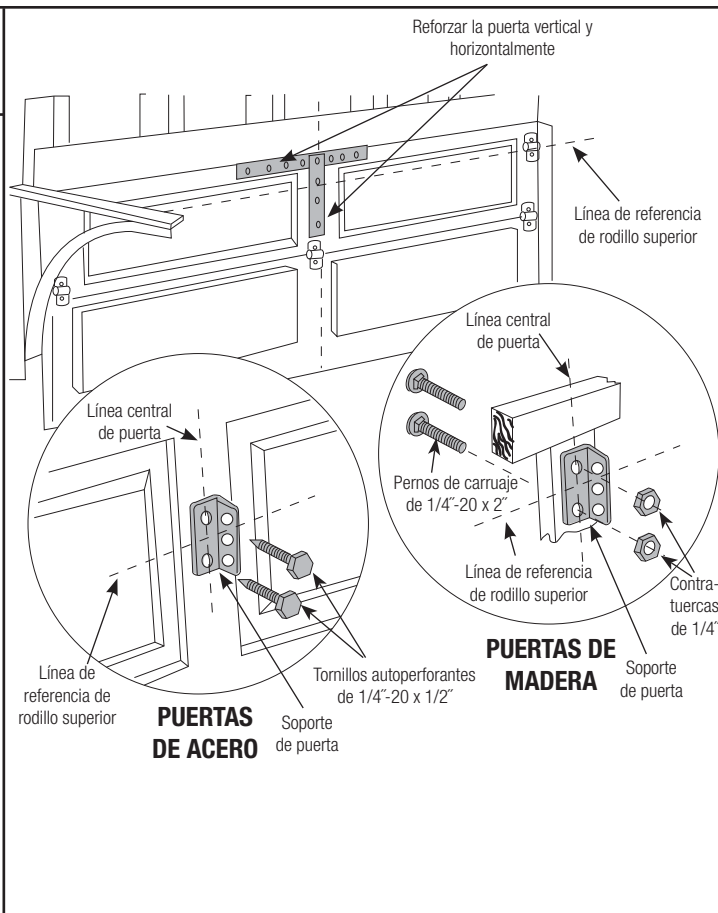
Llave de trinquete

NOTA: Si se tiene una puerta de la serie 5120, 5140, 9100, 9400, 9600, 9700 ó 9800, no instalar este soporte para puerta, instalar el soporte de puerta provisto con la puerta. Consultar las Instrucciones de instalación y el Manual del propietario suministrados con la puerta. Los manuales de instrucciones están disponibles para descarga en www.waynedalton.com, o bien, llamar al 1-888-827-3667 para solicitarlos.

IMPORTANTE: PARA EVITAR DAÑOS A LA PUERTA PODRÍA SER NECESARIO REFORZARLA. CONSULTAR AL FABRICANTE DE LA PUERTA DE GARAJE SOBRE EL REFUERZO APROPIADO PARA LA PUERTA.

Para puertas de madera, montar el soporte de la puerta con dos pernos de carruaje de 1/4"-20 x 2" y contratuercas de 1/4" suministradas, en la línea central de la puerta con el agujero del medio alineado con los rodillos superiores.

En puertas de metal, montar el soporte de la puerta con dos tornillos auto perforantes de 1/4"-20 x 5/8" suministrados, en la línea central de la puerta con el agujero del medio alineado con los rodillos superiores.



7

Instalación de iluminación

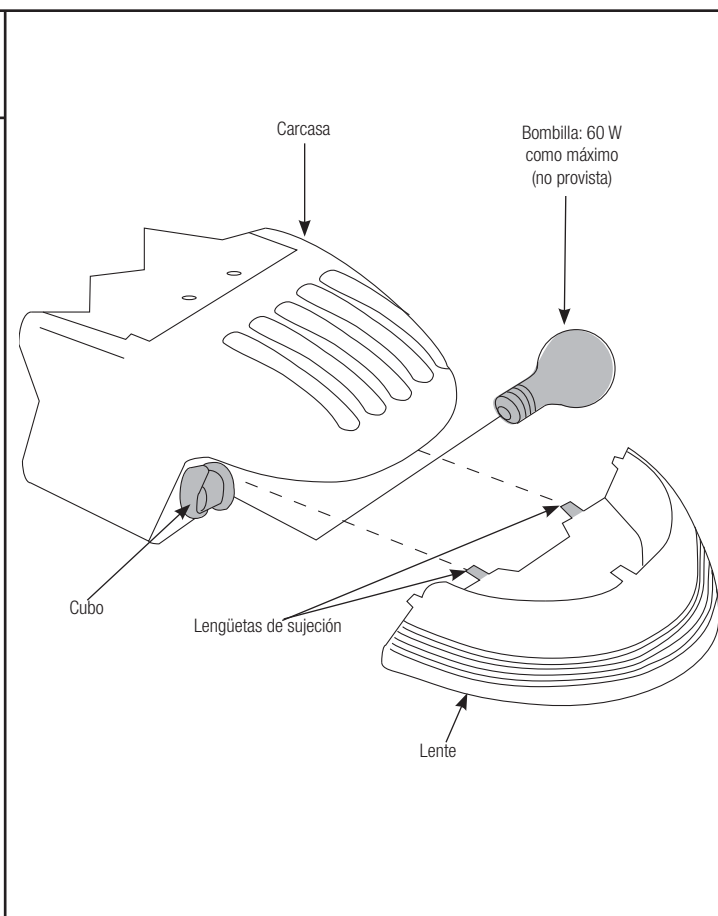
Herramientas necesarias:

Ninguna

Ejercer presión ascendente en ambos lados del fondo del lente en la unión de la carcasa, desenganchar las lengüetas de sujeción y tirar hacia delante para retirar el lente.

Enrosca una bombilla de 60 W (máximo) en el receptáculo. Para una vida útil máxima de la bombilla, se recomiendan bombillas para "servicio pesado".

Alinear las lengüetas superior e inferior del lente con la carcasa y empujar en línea recta hasta que el lente encaje en posición.



8

Instalación de la estación de pared cableada (Si se incluye)

Herramientas necesarias:

Taladro eléctrico

Destornillador de cabeza Phillips

Destornillador de cabeza plana

Broca de 3/32"

⚠ ADVERTENCIA

PARA EVITAR LESIONES POSIBLES, INSTALAR LA ESTACIÓN DE PARED FUERA DEL ALCANCE DE NIÑOS Y EN UNA UBICACIÓN DESDE DONDE SE PUEDA VER LA PUERTA AL ACTIVARSE EL ACCIONADOR. NO MONTAR LA ESTACIÓN DE PARED CERCA DE LA PUERTA DE GARAJE.

IMPORTANTE: PARA QUE LA PUERTA FUNCIONE CORRECTAMENTE, SE HA DE UTILIZAR SÓLO EL TIPO DE ESTACIÓN DE PULSADOR ESTÁNDAR O DE LUJO PARA PARED. EL USO DE OTRA ESTACIÓN DE PULSADOR O CONTROL DE PARED NO SUMINISTRADA POR WAYNE-DALTON PODRÍA CAUSAR EL MALFUNCIONAMIENTO DEL ACCIONADOR.

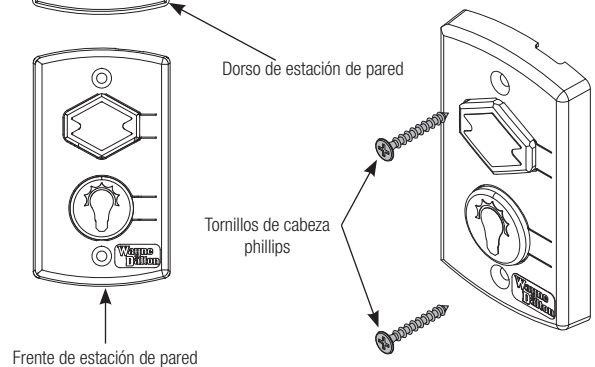
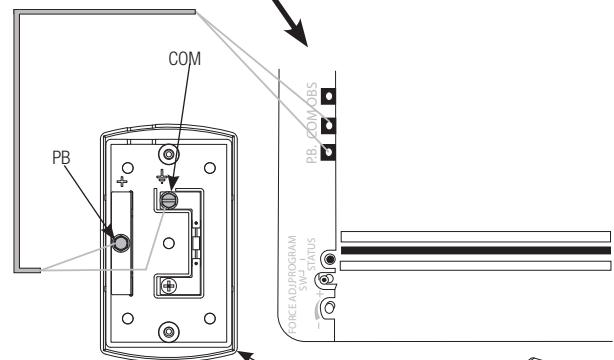
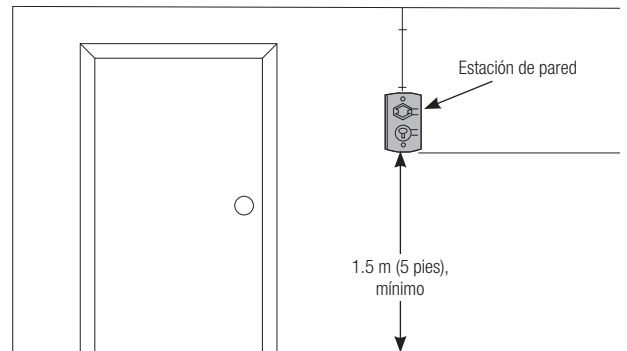
Estación de pared cableada: cablear el accionador de la puerta del garaje con alambre para timbre conectado a los bornes de tornillo COM y P.B., como se ilustra.

Colocar la estación de pared adyacente a la puerta de entrada de servicio a una altura mínima de 1.5 m (5 pies), y al menos 1.8 m (6 pies) alejada de la puerta del garaje.

Sujetar la estación de pared en una ubicación segura con los (2) tornillos de cabeza phillips. Asegurarse de no apretarlos excesivamente. Taladrar agujeros piloto de montaje con una broca de 3/32". También se pueden instalar estaciones de pared adicionales de conformidad con estas instrucciones.

PRECAUCIÓN: El apriete excesivo de los tornillos podría deformar la carcasa plástica.

IMPORTANTE: CONECTAR EL ALAMBRE DE BAJO VOLTAJE A LAS ESTACIONES DE PARED CON UNA CONFIGURACIÓN DE GANCHO EN "J". SI EL ALAMBRE HA FORMADO UN BUCLE COMPLETO ALREDEDOR DEL TORNILLO DE BORNE, ELLO PUEDE EVITAR EL CONTACTO APROPIADO CON EL INTERRUPTOR.



9

Instalación de la estación inalámbrica, multifunción, de lujo, para pared (si se incluye)

Herramientas necesarias:

Taladro eléctrico

Broca de 3/32"

Destornillador de cabeza Phillips

⚠️ ADVERTENCIA

PARA EVITAR LESIONES POSIBLES, INSTALAR LA ESTACIÓN DE PARED FUERA DEL ALCANCE DE NIÑOS Y EN UNA UBICACIÓN DESDE DONDE SE PUEDA VER LA PUERTA AL ACTIVARSE EL ACCIONADOR. NO MONTAR LA ESTACIÓN DE PARED CERCA DE O JUNTO A LA PUERTA DE GARAJE.

NOTA: Para un funcionamiento adecuado, montar la estación de pared en una superficie plana.

Se puede montar la estación de pared en una caja eléctrica estándar NEMA o directamente en cualquier superficie de pared. No necesita cableado.

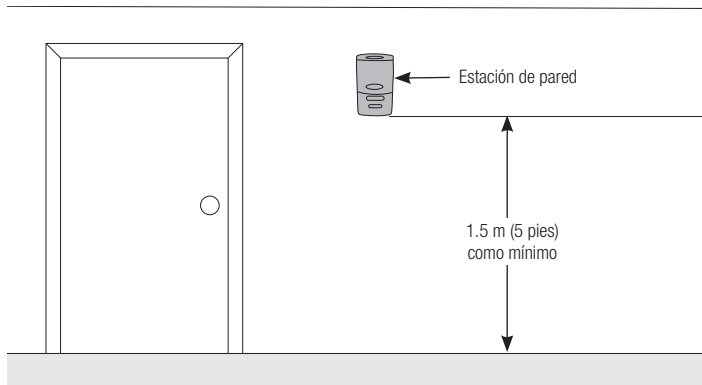
Colocar la estación de pared adyacente a la puerta de entrada de servicio a una altura mínima de 1.5 m (5 pies), y al menos 1.8 m (6 pies) alejada de la puerta del garaje.

Si se la monta en una caja eléctrica NEMA, utilizar tornillos para roscar a máquina en vez de tornillos para madera. No es necesario taladrar. Si la caja contiene cableado de alto voltaje, se ha de instalar una chapa de pared sólida, NEMA, estándar, entre la caja y la estación de pared. Si se la instala en un panel de yeso o en concreto, utilizar los anclajes provistos. Al montársela en madera, utilizar una broca de 3/32" y la plantilla de taladrado provista en la página 39. Taladrar los dos agujeros de montaje de 3/32" con la plantilla para taladrado. Taladrar agujeros de 3/16" si se utilizan anclajes.

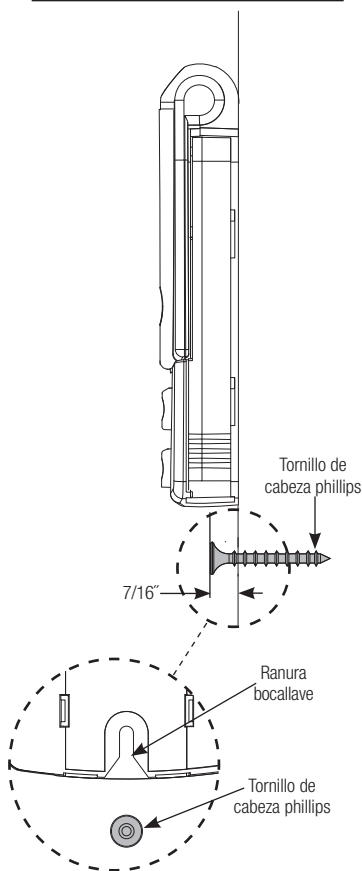
Instalar el tornillo inferior y dejar 7/16" del mismo expuesto. Deslizar la ranura tipo bocallave de la estación de pared sobre el tornillo inferior de cabeza phillips. Al deslizarse la estación de pared sobre el tornillo, debe haber un encaje ajustado. Si fuera necesario, retirar la estación de pared y aflojar o apretar el tornillo inferior de cabeza phillips hasta lograrse un encaje ajustado.

Una vez se haya encajado la estación de pared sobre el tornillo inferior, instalar el tornillo superior. No apretarlo excesivamente.

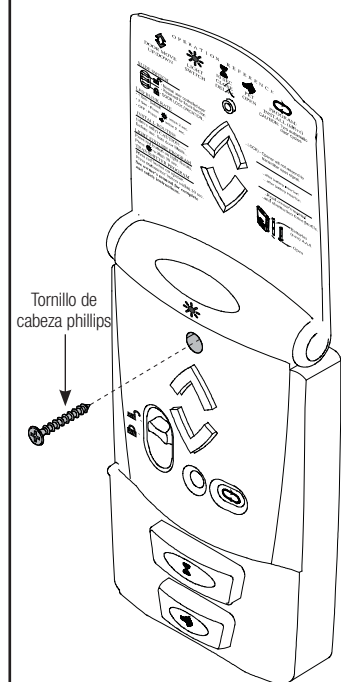
PRECAUCIÓN: El apretar excesivamente el tornillo superior podría deformar la caja plástica.



Instalación del tornillo inferior



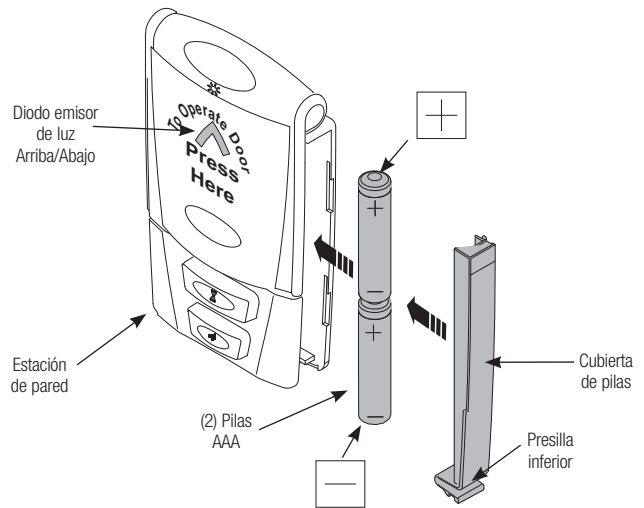
Instalación del tornillo superior



Instalación de la estación inalámbrica, multifunción, de lujo, para pared (si se incluye) (cont.)

Desenganchar la pestaña inferior de la cubierta de la pila para retirar la cubierta de las pilas (lado derecho de la estación de pared). Instalar dos pilas AAA en la estación de pared prestando atención a la polaridad, (+) y (-) de ambas pilas. Después de aproximadamente tres segundos el diodo emisor de luz rojo comenzará a destellar cada tres segundos. Para reinstalar la cubierta de las pilas, insertar primero la parte superior de la cubierta en la estación de pared; luego insertar y asegurar la parte inferior.

NOTA: Para reducir la frecuencia del destello o apagarlo, consultar "Luz del diodo emisor de luz retroiluminado", bajo Operación de la estación inalámbrica de pared, página 28.



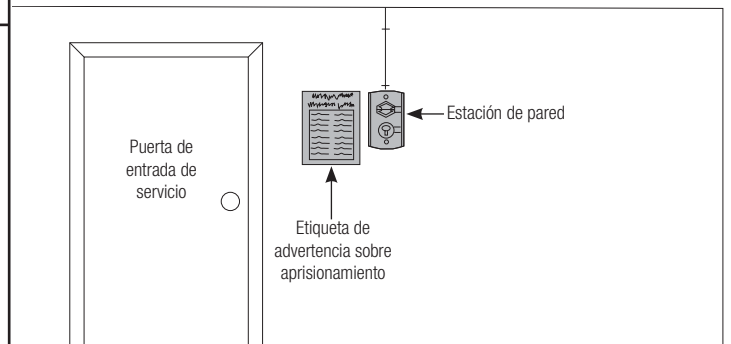
10

Etiqueta de advertencia sobre aprisionamiento

Herramientas necesarias:

Ninguna

Colocar la etiqueta sobre aprisionamiento en una ubicación conveniente junto a la estación de pared. Utilizar sujetadores mecánicos si el adhesivo no funciona.



11

Instalación de sensor infrarrojo de seguridad, cableado

Herramientas necesarias:

Llave de trinquete

Cinta para medir

Taladro eléctrico

Broca de 3/16"

Vástago de cubo de 7/16"

Llave de 7/16"

Lápiz

IMPORTANTE: SE HA DE MONTAR AMBOS SOPORTES DE PARED A LA MISMA ALTURA PARA UN ALINEAMIENTO APROPIADO.

Nota: Utilizar los Pasos a-c para instalar sensores en ambos lados de la puerta de garaje.

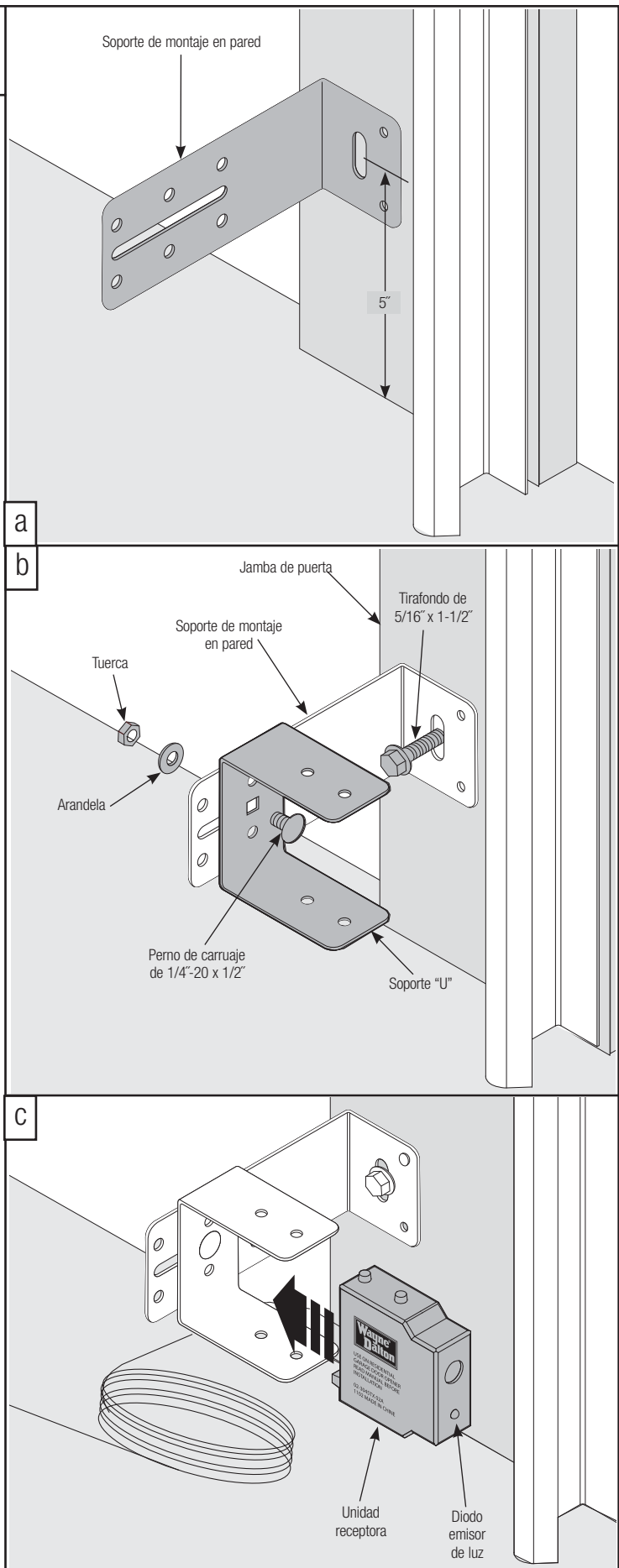
a. Seleccionar y marcar con un lápiz una ubicación de montaje a no más de 5 pulgadas del piso hasta la línea central del soporte de montaje de pared. Se debería montar los sensores de seguridad lo más cerca posible del riel de la puerta o dentro del borde de la puerta, para ofrecer protección máxima contra el aprisionamiento. Es muy importante que ambos soportes para montaje en pared se monten a la misma altura para un alineamiento apropiado.

b. Taladrar agujeros piloto con una broca de 3/16". Con dos tirafondos de 5/16" x 1-1/2", montar permanentemente los soportes de montaje en pared a ambas jambas de la puerta. En algunas instalaciones podría ser necesario fijar un espaciador de madera a la pared para lograr la alineación necesaria.

Fijar los soportes "U" a los soportes de montaje en pared con pernos de carruaje de 1/4"-20 x 1/2", arandelas y tuercas. Insertar los pernos desde el interior del soporte "U" y apretarlos a mano.

IMPORTANTE: IDENTIFICAR QUÉ LADO DE LA PUERTA DEL GARAJE TIENE MAYOR EXPOSICIÓN A LA LUZ SOLAR. MONTAR LA UNIDAD EMISORA (UNIDAD CON DIODO EMISOR DE LUZ) EN EL LADO QUE ESTÁ MÁS EXPUESTO A LA LUZ SOLAR. LA LUZ SOLAR PODRÍA AFECTAR LOS SENSORES DE SEGURIDAD, Y ESTA ORIENTACIÓN AYUDARÁ A REDUCIR EL EFECTO.

c. Fijar los sensores de seguridad emisor y receptor a los soportes "U" mediante la inserción de las tres lengüetas en los agujeros respectivos.



Por favor, no devolver este producto al concesionario. ¡Llámenos directamente! Nuestros técnicos capacitados responderán cualquier pregunta y/o enviarán cualquier pieza necesaria. Se nos puede contactar al número telefónico gratuito 1-888-827-3667 para Asistencia al Consumidor, o bien, en conexión a red a www.wayne-dalton.com

12

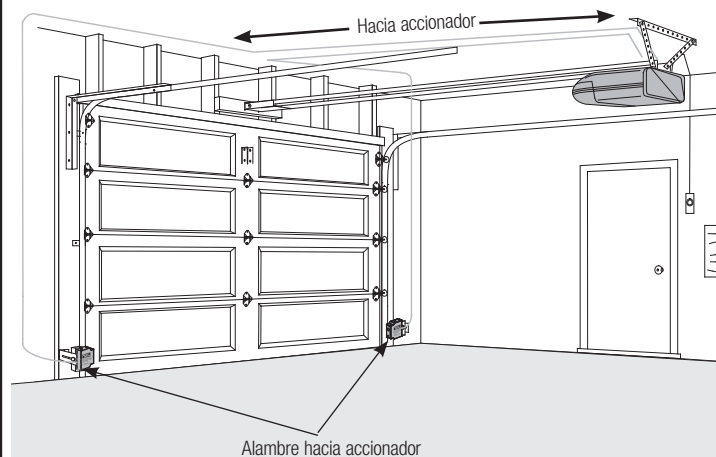
Instalación de cableado para sensor infrarrojo de seguridad cableado

Herramientas necesarias:

Martillo

Desenrollar los alambres de los sensores infrarrojos de seguridad y tender el alambre hacia arriba en la pared, a través del cielo raso y hacia abajo hasta la parte posterior del accionador. Fijar el alambre en posición con grapas (no suministrado). Asegurarse de tender los alambres en un lugar donde no interfieran con el funcionamiento de la puerta y no colocar las grapas a través del alambre.

NOTA: Si fuera necesario alargar o empalmar los alambres hacia la instalación cableada, utilizar capuchones roscables u otros conectores adecuados.



13

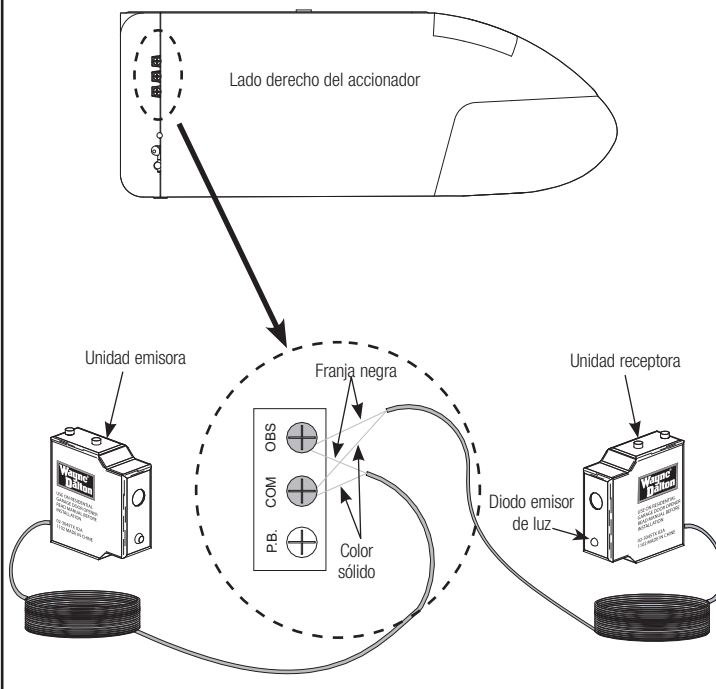
Conexión del sensor infrarrojo de seguridad cableado al accionador

Herramientas necesarias:

Destornillador de cabeza Phillips

Conectar los sensores infrarrojos de seguridad al accionador como se muestra. Acortar los alambres según sea necesario y separar los extremos de los alambres. Desforrar aproximadamente 13 mm (1/2") de aislamiento de cada alambre teniendo cuidado de no mellar los alambres

Un alambre está rotulado (números, franja negra, etc.). Asegurarse de observar la polaridad. Aplicar tensión a los alambres externos para probar si la conexión es segura. Verificar que los alambres estén engrapados en posición correctamente.



14

Conexión del accionador al tomacorriente

Herramientas necesarias:

Ninguna

⚠️ ADVERTENCIA

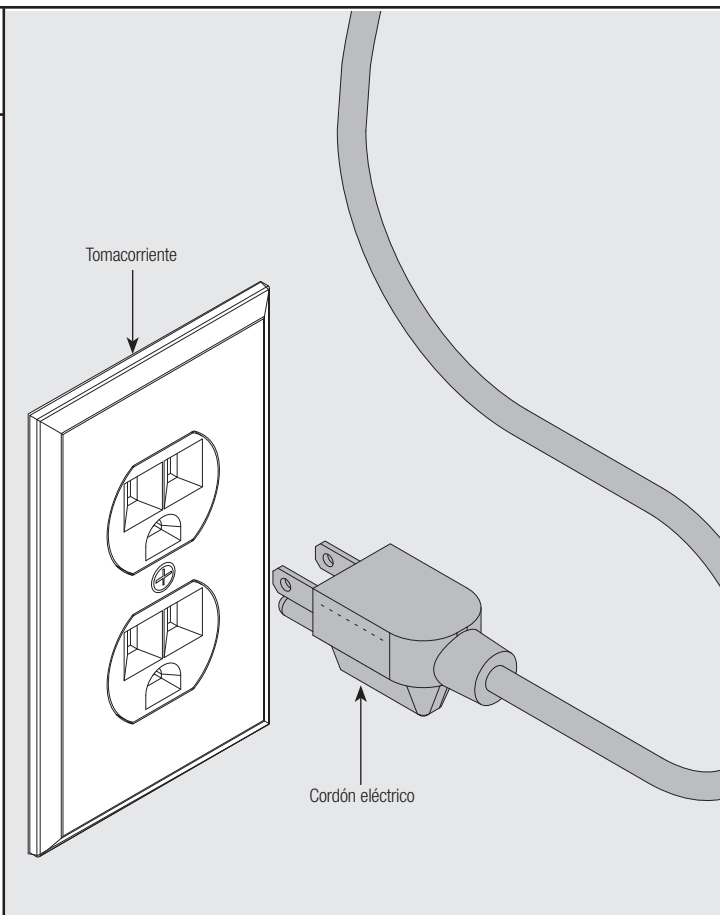
PARA REDUCIR EL RIESGO DE CHOQUE ELÉCTRICO, NO CAMBIAR EL CORDÓN DE ALIMENTACIÓN DE NINGUNA MANERA.

IMPORTANTE: EL ACCIONADOR HA DE ESTAR CONECTADO A UN TOMACORRIENTE TRIFILAR DE 120 VOLTIOS CON CONEXIÓN APROPIADA A TIERRA.

Se puede cablear el accionador permanentemente. Para cablear permanentemente la unidad, véase la opción de cableado permanente en la página 20.

Enchufar el cordón eléctrico en el receptáculo conectado a tierra más cercano. Se ha de arrollar y asegurar el exceso de longitud del cordón eléctrico y se lo ha de mantener alejado de manera segura de cualesquier piezas móviles.

Tan pronto se aplica energía eléctrica al accionador, la luz en el mismo destellará una vez para indicar la autoverificación exitosa de los controles.



15

Conexión del trole al conjunto del pestillo

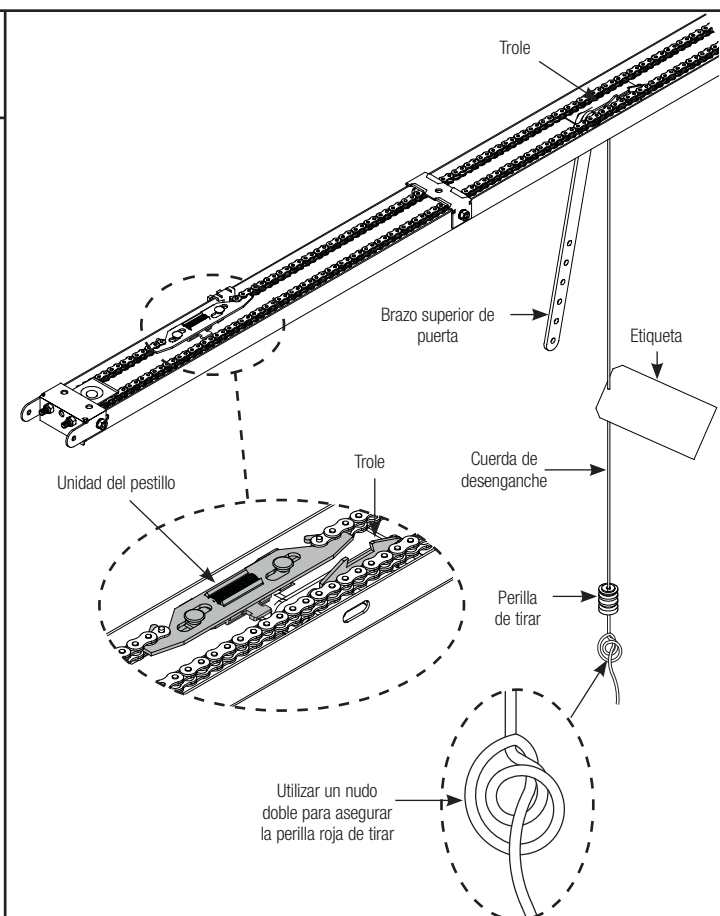
Herramientas necesarias:

Ninguna

Deslizar el trole hasta que encaje de golpe en unidad del pestillo.

Fijar la etiqueta de advertencia en la cuerda roja de desenganche. Enhebrar la cuerda roja de desenganche a través de la perilla de tirar de modo que el nudo quede dentro de la perilla de tirar. Hacer un nudo doble en el extremo de la cuerda roja de desenganche para asegurar la perilla de tirar.

NOTA: La perilla de tirar debería colgar a 1.8 m (6 pies) sobre el piso. Asegurarse que la cuerda y la perilla no haga contacto con las capotas de los vehículos para evitar que se enrede.



Por favor, no devolver este producto al concesionario. ¡Llámenos directamente! Nuestros técnicos capacitados responderán cualquier pregunta y/o enviarán cualquier pieza necesaria. Se nos puede contactar al número telefónico gratuito 1-888-827-3667 para Asistencia al Consumidor, o bien, en conexión a red a www.wayne-dalton.com

Alineación de los sensores infrarrojos de seguridad cableados

Herramientas necesarias:

Alicates

⚠️ ADVERTENCIA

PARA EVITAR LESIONES GRAVES O FATALES POSIBLES, MANTENER A PERSONAS Y OBJETOS ALEJADOS DEL BRAZO DE LA PUERTA EN MOVIMIENTO PARA EVITAR POSIBLES LESIONES PERSONALES.

IMPORTANTE: EL SENSOR DE SEGURIDAD ENVÍA UN HAZ DE LUZ INVISIBLE DESDE LA UNIDAD EMISORA HACIA LA UNIDAD RECEPTORA A TRAVÉS DEL UMBRAL DE LA PUERTA. EL ACCIONADOR NO FUNCIONARÁ SIN O HASTA QUE LOS SENSORES DE SEGURIDAD ESTÉN CONECTADOS AL ACCIONADOR Y ALINEADOS CORRECTAMENTE. SI SE OBSTRUYE EL HAZ DE LUZ INVISIBLE, NO SE PUEDE CERRAR UNA PUERTA ABIERTA CON EL TRANSMISOR NI CON UNA ACTIVACIÓN MOMENTÁNEA DEL BOTÓN ARRIBA / ABAJO DE LA ESTACIÓN DE PARED. SIN EMBARGO, SE PODRÍA CERRAR LA PUERTA AL MANTENER EL DEDO SOBRE EL BOTÓN ARRIBA / ABAJO DE LA ESTACIÓN DE PARED (PRESIÓN CONSTANTE) HASTA QUE LA PUERTA SE DESPLACE HASTA LA POSICIÓN COMPLETAMENTE CERRADA.

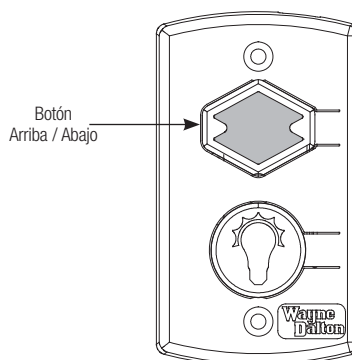
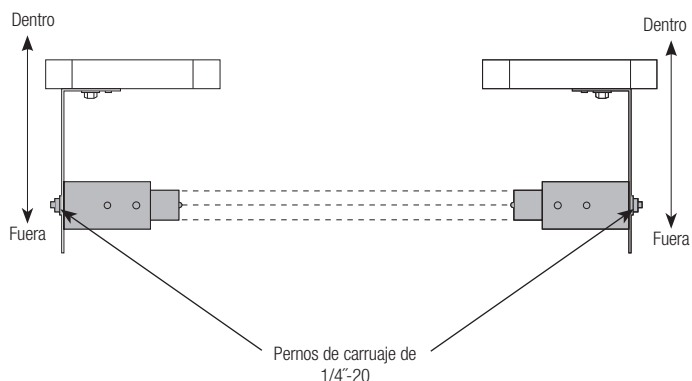
En este punto, se podrá activar el accionador. El trole / brazo superior se desplazará a la posición abierta, pero no se moverá a la posición cerrada a menos que los haces estén alineados.

Se ha de alinear los sensores de seguridad mediante el movimiento de las unidades emisora y receptora dentro o fuera hasta que la luz de alineación en la unidad receptora se encienda. Se puede aflojar el perno de carruaje de 1/4"-20 para mover la unidad hacia adentro o afuera, según sea necesario. Si se tiene dificultad para alinear los haces, verificar que ambos soportes estén montados a la misma altura (véase el Paso 11) y montarlos nuevamente si fuera necesario. Se pueden efectuar ajustes menores adicionales mediante un leve doblez de los soportes de montaje.

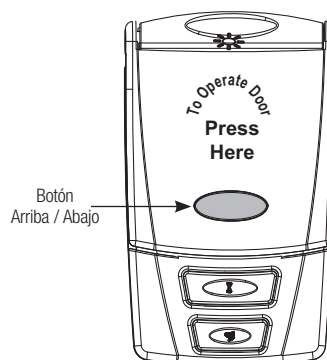
Una vez se encienda la luz de alineación, apretar todos los pernos y tornillos de montaje.

Terminar de asegurar todo el cableado, asegurándose de no romper o abrir ninguno de los conductores. Arrollar y asegurar todo alambre adicional.

Mediante el uso del botón arriba/abajo de la estación de pared, activar el accionador y verificar que éste funcione a través de la apertura y cierre completos. Verificar que el trole y el pestillo del trole estén en la posición cerrada antes de pasar el paso siguiente.



Estación de pared cableada



Transmisor de radiofrecuencias para la estación multifunción de pared

17

Configuración de la posición cerrada del trole

Herramientas necesarias:

Alicates /
cortaalambr

Cinta para medir

Destornillador de
cabeza plana

⚠️ ADVERTENCIA

PARA EVITAR LESIONES POSIBLES O DAÑOS POTENCIALES A LA PROPIEDAD, MANTENER A PERSONAS Y OBJETOS ALEJADOS DEL BRAZO MÓVIL DE LA PUERTA.

NOTA: Si fuera necesario, activar el accionador para mover el trole / brazo superior de la puerta a la posición cerrada.

NOTA: Si se tiene una puerta de la serie 9100, 9400, 9600, 5120, 5140 ó 9700, con uno de los soportes de puerta mostrados a la derecha y un sistema de contrapeso Torquemaster® o resorte(s) de extensión, consúltese “Configuración de la posición de cierre del trole / Conexión del brazo de la puerta” en las páginas 23-24. De lo contrario, completar este paso.

NOTA: Si se tiene una puerta de la serie 9100, 9400, 9600, 5120, 5140 ó 9700, con uno de los soportes de puerta mostrados a la derecha y resorte(s) de torsión, consúltese “Configuración de la posición de cierre del trole / Conexión del brazo de la puerta” en las páginas 25-26. De lo contrario, completar este paso.

El trole y la unidad del pestillo han de estar en la posición completamente cerrada predeterminada en la fábrica (véase la ilustración).

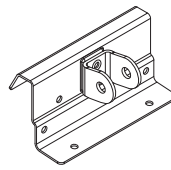
Verificar que la posición preliminar del trole y la unidad del pestillo es de 28 cm a 33 cm (11” a 13”) entre el pasador de horquilla del trole y la cara interior de la puerta.

Si el ajuste del conjunto trole/pestillo fuera necesario, utilizar el tornillo close (cerrado) de travel adjustment (ajuste del recorrido) ubicado en la parte inferior del accionador. Un cuarto de vuelta equivale aproximadamente a 2.5 cm (1”) de recorrido del trole; girarlo en sentido horario para reducir la distancia entre el trole y la puerta; girarlo en sentido antihorario para aumentar la distancia entre el trole y la puerta.

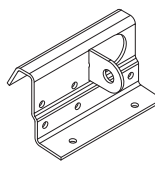
Single and Double Tab Door Brackets

Modelos: 9100, 9400, 9600, 5120 y 5140.

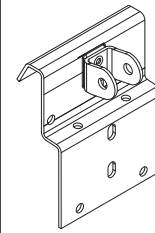
Modelo: 9700



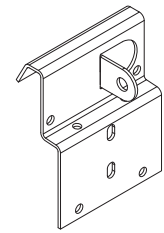
Soporte con
lengüeta
doble



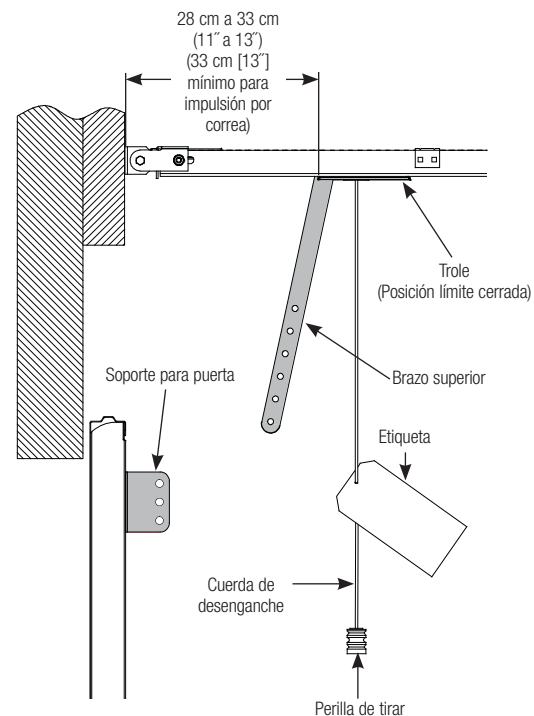
Soporte con
lengüeta
sencilla



Soporte con
lengüeta
doble



Soporte con
lengüeta
sencilla



Por favor, no devolver este producto al concesionario. ¡Llámenos directamente! Nuestros técnicos capacitados responderán cualquier pregunta y/o enviarán cualquier pieza necesaria. Se nos puede contactar al número telefónico gratuito 1-888-827-3667 para Asistencia al Consumidor, o bien, en conexión a red a www.wayne-dalton.com

18

Conexión de brazo para puerta a puerta

Herramientas necesarias:

Llave ajustable

Llave de trinquete

Cubo de 7/16"

Cubo de 9/16"

Instalación típica:

Colocar el casquillo de nilón con reborde en el agujero del extremo curvo (agujero único) del brazo inferior. Colocar el brazo de puerta al lado derecho del soporte de puerta. Insertar el pasador de horquilla de sujeción múltiple de 5/16" x 1-1/4" a través del casquillo de nilón con reborde, brazo inferior de puerta y agujero medio del soporte de puerta. Instalar la chaveta hendida a través del agujero (el más cercano al soporte de puerta) del pasador de horquilla de sujeción múltiple, como se muestra.

Para modelos: 9100, 9400, 9600, 5120, 5140 y 9700.

Colocar el casquillo de nilón con reborde en el agujero del extremo curvo (agujero único) del brazo inferior. Colocar el brazo inferior de puerta entre las lengüetas (o el lado derecho de la lengüeta sencilla) e insertar el pasador de horquilla de sujeción múltiple de 5/16" x 1-1/4" a través del casquillo de nilón con reborde, brazo inferior de puerta y agujero(s) del soporte de puerta. Instalar la chaveta hendida a través del agujero (el más cercano a la lengüeta doble del brazo de puerta o a la lengüeta sencilla del soporte de puerta) del pasador de horquilla de sujeción múltiple, como se muestra.

Para modelos: 9700 y 9800

Colocar el casquillo de nilón con reborde en el agujero del extremo curvo (agujero único) del brazo inferior. Colocar el brazo inferior de puerta entre las lengüetas e insertar el pasador de horquilla de sujeción múltiple de 5/16" x 1-1/4" a través del casquillo de nilón con reborde, brazo inferior de puerta y agujeros del soporte de puerta. Instalar la chaveta hendida a través del agujero (el más cercano al brazo de puerta) del pasador de horquilla de sujeción múltiple, como se muestra.

CONEXIÓN DE BRAZOS SUPERIOR E INFERIOR DE PUERTA

⚠ ADVERTENCIA

EL NO USAR UNA CONTRATUERCA PUEDE DAR LUGAR AL DESENGANCHE DEL BRAZO Y A POSIBLE DAÑO A LA PROPIEDAD Y/O LESIONES PERSONALES.

Alinear las piezas superior e inferior del brazo de la puerta a los agujeros correspondientes más cercanos.

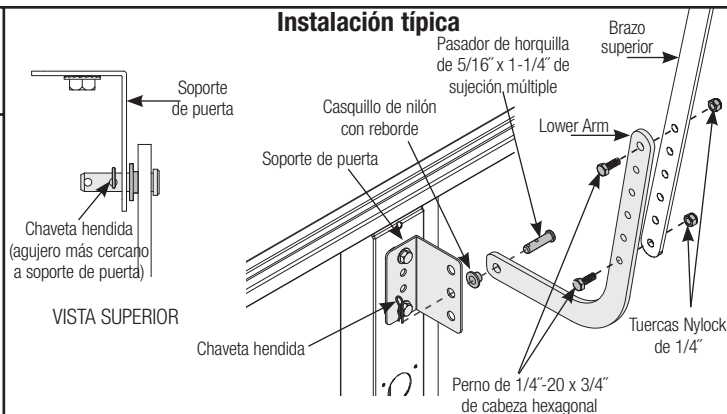
NOTA: Podría ser necesario aplicar presión descendente sobre la puerta o elevar levemente la puerta durante este proceso.

Asegurar los brazos superior e inferior de la puerta entre sí con dos pernos de 1/4"-20 x 3/4" de cabeza hexagonal y tuercas Nylock.

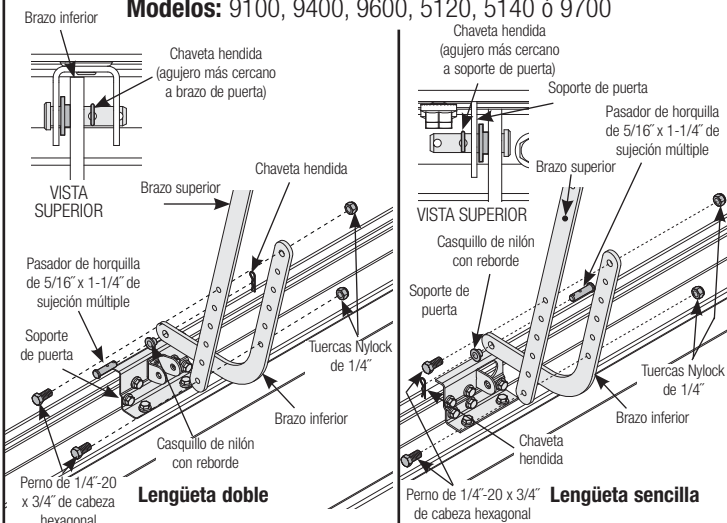
NOTA: Al colocar los brazos superior e inferior, instalar los pernos de cabeza hexagonal tan alejados entre sí como sea posible.

NOTA: El ángulo del brazo de la puerta ha de ser de 10° a 30° (véase la ilustración). De lo contrario, repetir "Configuración de la posición de cierre del trole / Conexión del brazo de la puerta" y aumentar o reducir la distancia entre el pasador de horquilla del trole y la cara interior de la puerta.

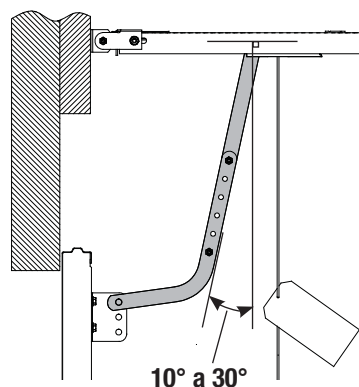
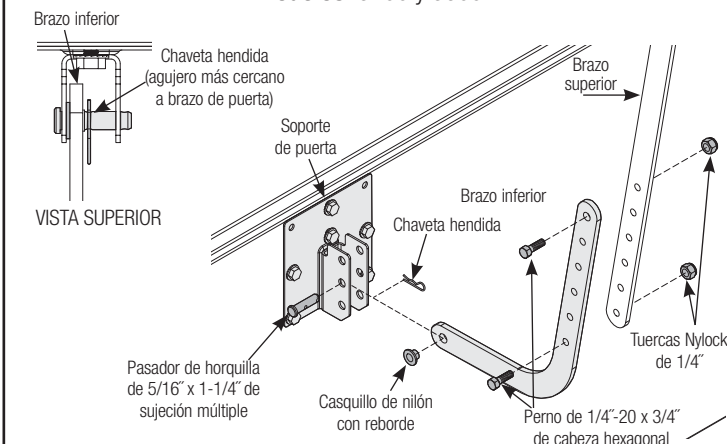
Instalación típica



Modelos: 9100, 9400, 9600, 5120, 5140 ó 9700



Modelos: 9700 y 9800



19

Calibración de recorrido de cierre de la puerta

Herramientas necesarias:

Destornillador de cabeza plana

Con el botón arriba / abajo del control de pared, activar la puerta hacia la posición completamente abierta; reactivar hacia la posición cerrada.

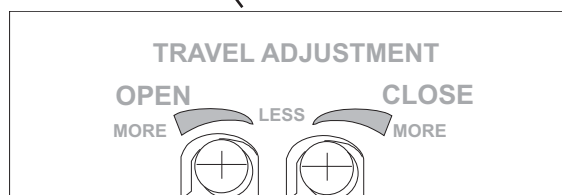
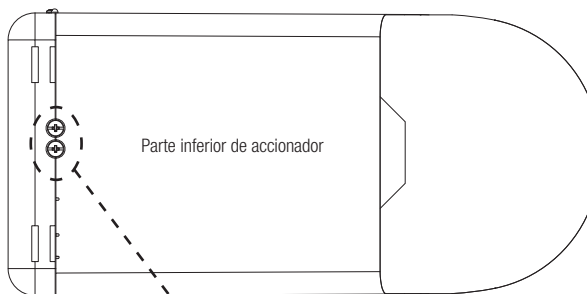
La puerta debe parar en el piso con el sello inferior de la puerta levemente comprimido.

Si la puerta invierte la marcha al entrar en contacto con el piso, girar la perilla de recorrido de cierre 1/4 de vuelta "menos".

Si la puerta no está completamente cerrada, girar la perilla de recorrido 1/4 de vuelta "más".

Repetir según sea necesario.

NOTA: 1/4 de vuelta es igual a 2.5 cm (1") de recorrido de la puerta.



20

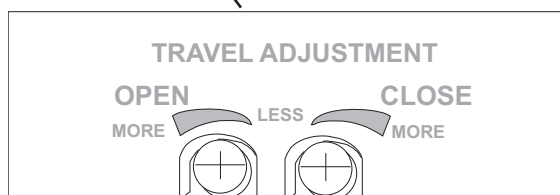
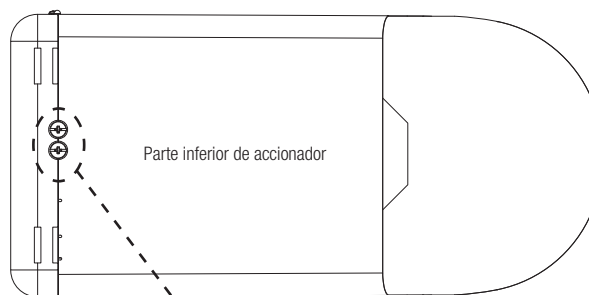
Calibración del recorrido de apertura de la puerta

Herramientas necesarias:

Destornillador de cabeza plana

El accionador de puertas está montado con el ajuste del recorrido de apertura precalibrado para una puerta típica; sin embargo, se debería ajustar toda puerta para que pare lo más cerca posible a la posición completamente abierta de reposo "natural" de la puerta.

Para determinar la posición completamente abierta de reposo "natural" de la puerta, desconectar la puerta del accionador con el desconector de emergencia (véase la página 27, DESCONECTOR DE EMERGENCIA) y elevar manualmente la puerta hasta su posición completamente abierta de reposo "natural". Utilizar esta ubicación para fijar el límite abierto. Para determinar si la puerta necesita ajuste, activar el accionador para llevar la puerta a la posición completamente abierta.



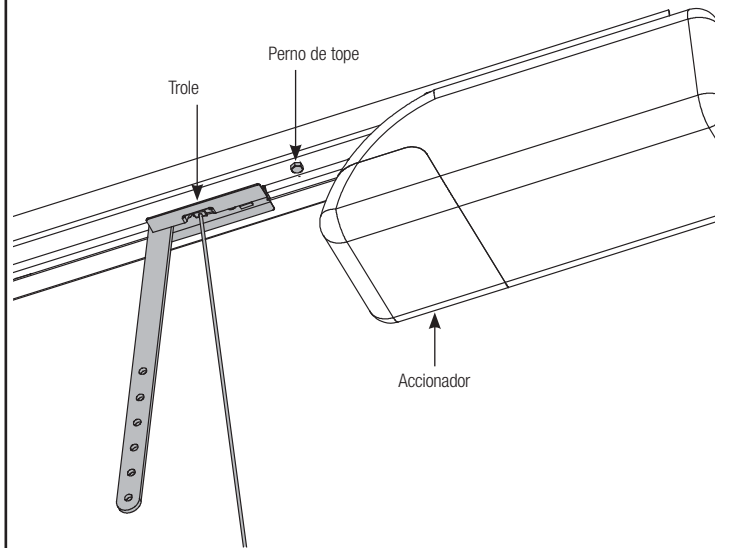
Calibración del recorrido de apertura de la puerta (continuación)

NOTA: Si la puerta no abre completamente y la luz del accionador destella (verificar que la bombilla esté instalada y en funcionamiento) determinar si hay una obstrucción o ver el Ajuste nro. 1, en la página 32 (Ajuste de la fuerza de apertura).

Para ajustarlo para una puerta no estándar o para calibrarlo exactamente para la posición abierta: con la estación de pared, accionar la puerta y detenerla en la posición de medio recorrido. Con un destornillador de cabeza plana girar el ajustador del recorrido ABRIR para aumentar (en sentido antihorario) o reducir (sentido horario) el recorrido. Un cuarto (1/4) de vuelta es igual a aproximadamente a 2.5 cm (1") de desplazamiento del trole.

NOTA: Confirmar que la puerta ha parado en la posición UP (ARRIBA) como resultado del interruptor del límite superior y no porque el trole ha golpeado al perno de tope, el cual está montado en el riel cerca del accionador. Se puede verificar la condición correcta al observar que la luz de cortesía de los accionadores no destella después de que la puerta completamente abierta se detiene. También, se podría confirmar la condición de fallo visualmente al verificar si el trole está descansando contra el perno de tope.

Para confirmar el ajuste final del recorrido de APERTURA, activar el accionador para llevar la puerta a la posición completamente abierta. La luz del accionador no debería estar destellando.



21

Prueba de obstrucción por contacto

Herramientas necesarias:

Cuartón de 51 mm x 102 mm (2" x 4")

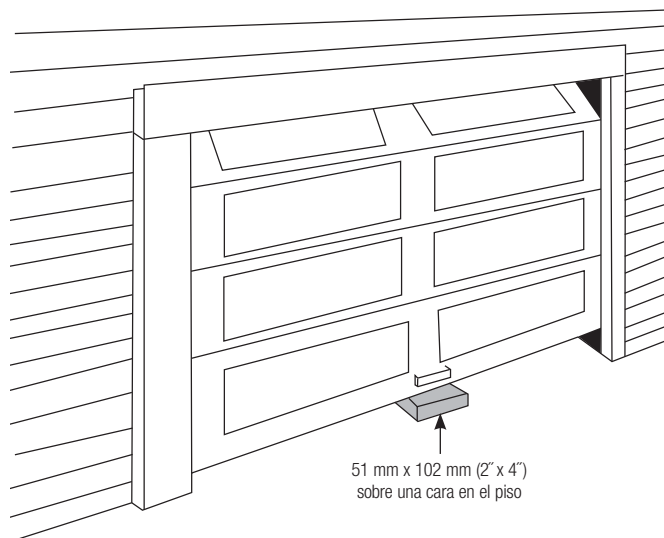
Después de instalar el accionador, la puerta ha de retroceder al entrar en contacto con un objeto de 38 mm (1-1/2") de altura (o un cuartón de 51 mm x 102 mm [2" x 4"] sobre una cara) en el piso del garaje.

Con la estación de pared, activar la puerta hacia la posición completamente abierta. Colocar un cuartón de 51 mm x 102 mm (2" x 4") sobre una cara en el piso del garaje, bajo la trayectoria de la puerta. Activar la puerta hacia la posición cerrada con la estación de pared. Al entrar en contacto con el cuartón de 51 mm x 102 mm (2" x 4"), la puerta debería retroceder.

Si la puerta para sobre el cuartón de 51 mm x 102 mm (2" x 4"), ajustar la perilla del recorrido de cierre de 1/8 a 1/4 de vuelta "más" hasta que la puerta invierta la marcha al entrar en contacto con el cuartón de 51 mm x 102 mm (2" x 4").

Cuando la puerta invierte la marcha, retirar el cuartón de 51 mm x 102 mm (2" x 4") y efectuar el ciclo completo de abrir y cerrar la puerta. La puerta no debería retroceder al llegar a la posición completamente cerrada sobre el piso.

NOTA: Si el accionador no supera esta prueba, repetir el Paso 19. Ver también el Ajuste nro. 2, página 32 (Prueba de obstrucción por contacto).



⚠ ADVERTENCIA

SI EL ACCIONADOR NO RESPONDE APROPIADAMENTE A ESTAS PRUEBAS (PASOS 21 Y 22), CONTRATAR A UN ESPECIALISTA EN MANTENIMIENTO PARA EFECTUAR LOS AJUSTES O REPARACIONES NECESARIOS. DE LO CONTRARIO, LA OPERACIÓN DE LA PUERTA / ACCIONADOR PODRÍA CAUSAR LESIONES GRAVES O FATALES.

22

Prueba de obstrucción del sensor de seguridad

Herramientas necesarias:

Objeto sólido de 51 mm x 152 mm x 305 mm (2" x 6" x 12")

⚠ ADVERTENCIA

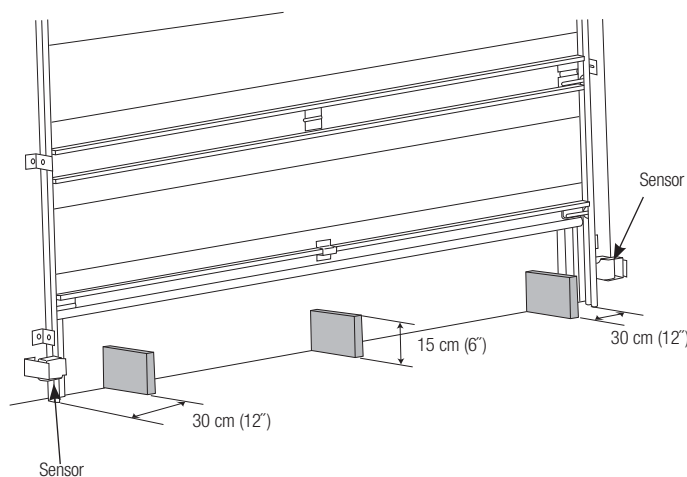
AL EFECTUAR ESTA PARTE DE LA PRUEBA, NO COLOCARSE BAJO LA PUERTA EN DESCENSO; DE LO CONTRARIO, PODRÍAN OCURRIR LESIONES GRAVES O FATALES.

Comenzando con la puerta completamente abierta, colocar un objeto de 15 cm (6") en el piso, en línea con los sensores, a 30 cm (12") del lado izquierdo de la puerta.

La activación del accionador con el botón Arriba / Abajo de la estación de pared debería hacer que la puerta se mueva no más de 30 cm (1 pie), pare y luego invierta la marcha hacia la posición completamente abierta.

Repetir esta prueba con el objeto de 15 cm (6") de altura colocado al centro de la puerta y luego a 30 cm (12") del lado derecho de la puerta.

La colocación del objeto de 15 cm (6") de altura sobre el piso, en línea con los sensores, mientras la puerta cierra, también debería causar la inversión de la marcha.



⚠ ADVERTENCIA

SI EL ACCIONADOR NO RESPONDE APROPIADAMENTE A ESTAS PRUEBAS (PASOS 21 Y 22), CONTRATAR A UN ESPECIALISTA EN MANTENIMIENTO PARA EFECTUAR LOS AJUSTES O REPARACIONES NECESARIOS. DE LO CONTRARIO, LA OPERACIÓN DE LA PUERTA / ACCIONADOR PODRÍA CAUSAR LESIONES GRAVES O FATALES.

Programación del acceso inalámbrico sin llave (si se incluye)

Herramientas
necesarias:

Ninguna

ADVERTENCIA

ES POSIBLE QUE LA PUERTA FUNCIONE DURANTE LA PROGRAMACIÓN. MANTENER A PERSONAS Y OBJETOS ALEJADOS DE LA PUERTA EN MOVIMIENTO PARA EVITAR DAÑOS A LA PUERTA O POSIBLES LESIONES PERSONALES.

NOTA: Para facilitar la instalación, programar el acceso inalámbrico sin llave hacia el accionador antes del montaje en la pared.

NOTA: Antes de la programación asegurarse que la puerta del garaje esté en la posición "abajo".

1. Oprimir y soltar el botón PROGRAM (PROGRAMA). La luz roja PROGRAM STATUS (ESTADO DE PROGRAMA) en el accionador y la bombilla superior se encenderán y permanecerán encendidas durante un minuto, indicando que está listo para aprender el código de acceso sin llave.

2. Oprimir el número de identificación personal (PIN, por sus siglas en inglés) de cinco dígitos, por ejemplo 1-3-8-2-5. La luz PROGRAM STATUS (ESTADO DE PROGRAMA) se encenderá y se apagará tres veces para indicar un aprendizaje exitoso.

NOTA: No establecer un código que presente los números en orden secuencial, como por ejemplo 1/2, 3/4, 5/6, 7/8, 9/0. Los estudios muestran que las personas tienden naturalmente a oprimir botones en pautas secuenciales. También, no seleccionar un código que utilice el mismo botón cinco veces consecutivamente. Los ladrones pueden descifrar fácilmente estos tipos de código.

NOTA: Si en cualquier momento, se comete un error al introducir el código, oprimir y soltar simultáneamente los botones 7/8 y 9/0 para restablecer el código de acceso sin llave; luego, repetir los pasos de programación anteriores.

NOTA: Se puede programar un solo dispositivo de acceso inalámbrico sin llave para operar múltiples accionadores de puertas de garaje. Para programar accionadores adicionales, repetir los pasos de programación con un número de identificación personal de cinco dígitos diferente para cada accionador adicional.

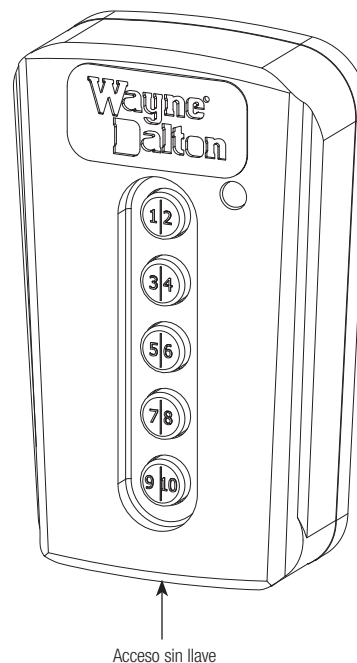
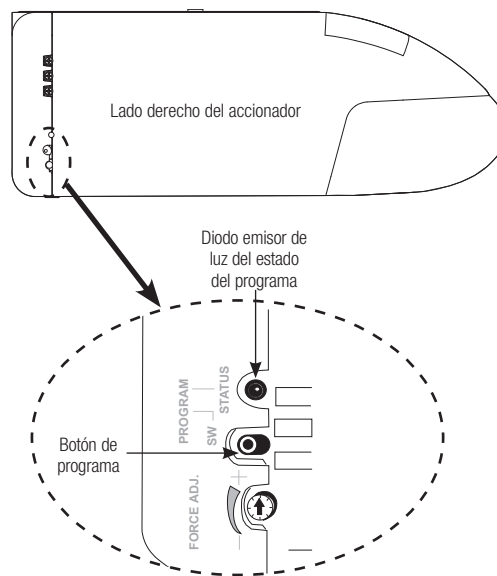
Cómo el acceso sin llave opera la puerta:

A continuación se explica cómo se puede utilizar el acceso sin llave para ABRIR, CERRAR, ARRANCAR y PARAR la puerta.

1. Introducir el número de identificación personal (PIN, por sus siglas en inglés) de 5 dígitos; la puerta se moverá.

NOTA: Si se introdujo un código incorrecto inadvertidamente, la puerta no se moverá. Para restablecerlo, oprimir y soltar simultáneamente los botones 7/8 y 9/0 para introducir nuevamente el número de identificación personal.

2. La unidad permanece activa durante los 25 segundos siguientes. Oprimir cualquier tecla para la puerta si ésta está abriendo, y la detiene o invierte su marcha si se está cerrando durante los 25 segundos del período activo.



24

Instalación del acceso inalámbrico sin llave (si se incluye)

Herramientas necesarias:

Taladro eléctrico
Broca de 5/64"

Destornillador de cabeza Phillips

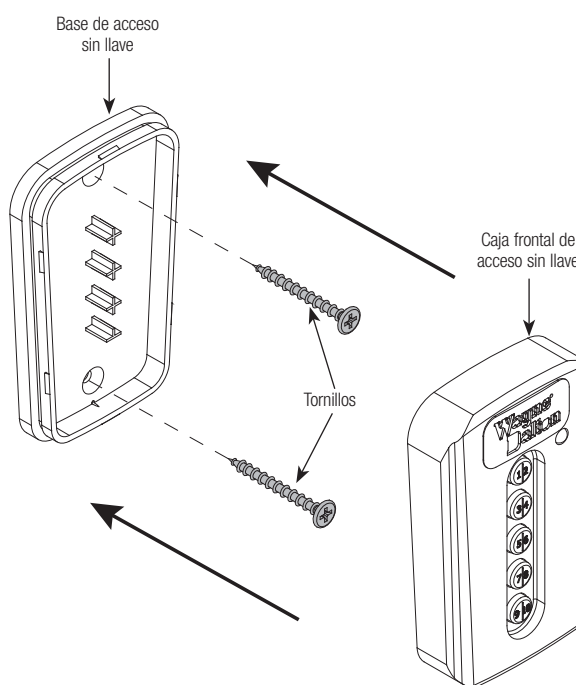
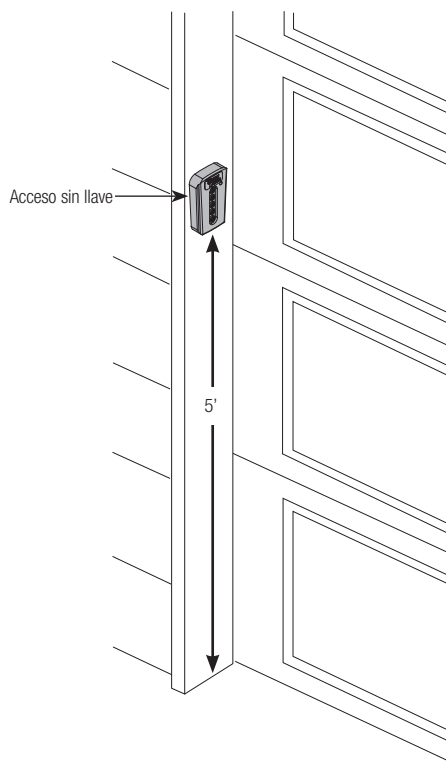
IMPORTANTE: INSTALAR TODO CONTROL DE PARED FUERA DEL ALCANCE DE NIÑOS Y EN UNA UBICACIÓN DESDE LA CUAL SE PUEDA VER LA PUERTA ANTES DE ACTIVARLA.

Encontrar un lugar práctico que no interfiera con la apertura y cierre normales de la puerta para montar el acceso inalámbrico sin llave. Para mantener el acceso sin llave fuera del alcance de niños, medir y marcar un punto al menos 1.5 m (5 pies) sobre el piso. Utilizar la plantilla de perforación ubicada en la página 39 para determinar las posiciones de los agujeros. Perforar agujeros pilotos de 5/64" de diámetro y 2 cm (3/4") de profundidad en la ubicación de cada tornillo.

Abrir la caja del acceso inalámbrico sin llave por apalancamiento con una moneda. Fijar la base del acceso sin llave en el entramado de madera con los dos tornillos provistos. Colocar nuevamente el frente de la caja sobre la base, a presión. Retirar el dorso protector del adhesivo de la etiqueta de instrucciones y aplicarla a una superficie limpia dentro del garaje.

NOTA: Se incluyen los tornillos para montajes a estructuras de madera. Asegurarse de utilizar los herrajes adecuados para montaje en otros materiales.

NOTA: Después de completar este paso, continuar con la página 27.





Conexión eléctrica (opción de cableado permanente)

Herramientas necesarias:

Alicates de punta de aguja

Alicates / cortaalambre

Destornillador de cabeza plana

⚠️ ADVERTENCIA

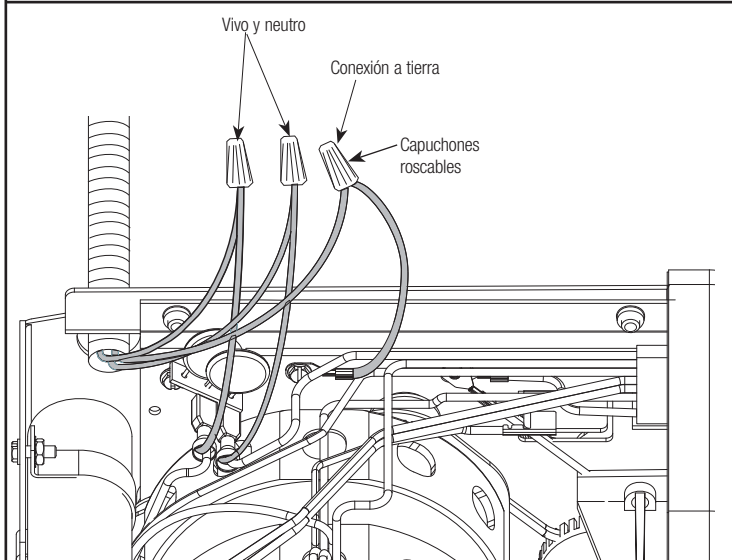
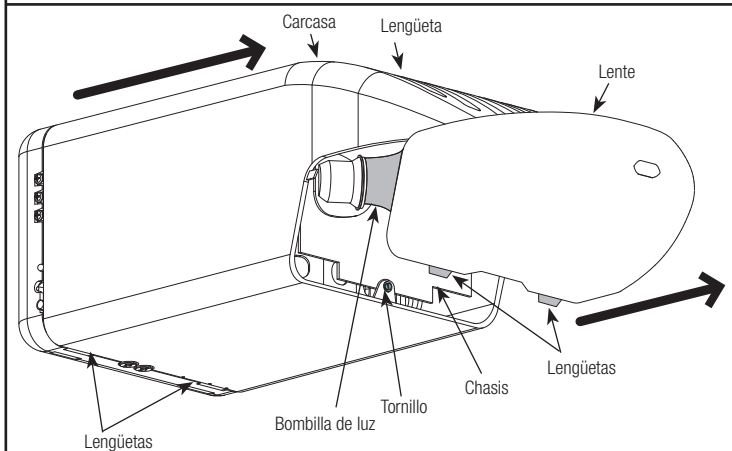
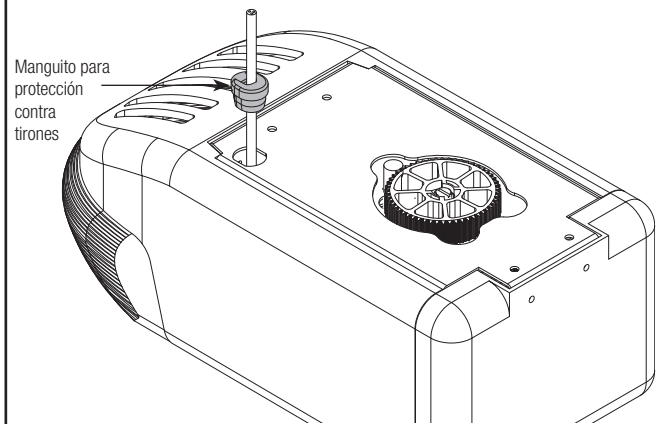
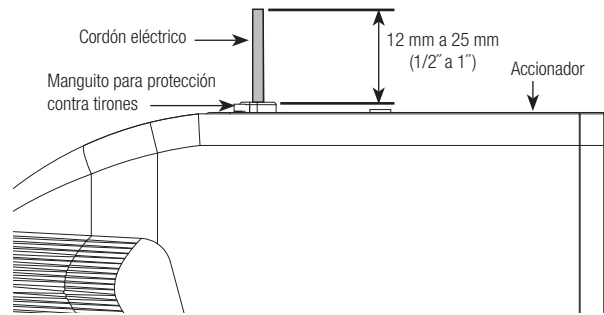
PARA EVITAR UN CHOQUE ELÉCTRICO, DESCONECTAR LA ENERGÍA ELÉCTRICA EN LA CAJA DE FUSIBLES ANTES DE PROCEDER.

IMPORTANTE: CONSULTAR LOS CÓDIGOS ELÉCTRICOS LOCALES. SI EL CÓDIGO LOCAL PERTINENTE PRECISA CABLEADO PERMANENTE, UTILIZAR LAS ESPECIFICACIONES PRESCRITAS Y LAS INSTRUCCIONES ILUSTRADAS.

Procedimiento de cableado permanente

1. Verificar que el cordón eléctrico esté desconectado de la fuente de electricidad.
2. Cortar el cordón eléctrico de 12 mm a 25 mm (1/2" a 1") del manguito para protección contra tirones.
3. Utilizar los alicates de punta de aguja para retirar el manguito para protección contra tirones del marco. Apretar las lengüetas en el lado inferior del casquillo y sacar el casquillo del agujero.
4. Halar o desforrar la sección restante de aislamiento exterior del cordón eléctrico.
5. Retirar el lente mediante presión en ambos lados del fondo del lente en la unión de la carcasa, desenganchar las lengüetas de sujeción y halar hacia adelante; retirar el bombillo de luz (si está instalado).
6. Retirar la carcasa del chasis mediante el retiro del tornillo que asegura la carcasa al chasis. Presionar las lengüetas de sujeción y deslizar la cubierta para retirarla del chasis.
7. Tirar de los tres alambres hacia el accionador; desforrar 12 mm (1/2") de aislamiento de los conductores negro, blanco y verde.
8. Con capuchones roscables para alambre 14-18 AWG, conectar el conductor negro al conductor negro, el conductor blanco al conductor blanco y el conductor verde al conductor verde. Verificar que las conexiones estén seguras.
9. Colocar nuevamente la cubierta del accionador.

Reconectar la energía eléctrica en la caja de fusibles. Tan pronto se aplica la energía eléctrica a la unidad, la luz en el accionador destellará una vez para indicar una autoverificación exitosa de los controles.





Montaje de soporte de puerta a una puerta Serie 9700

Herramientas necesarias:

Taladro eléctrico

Vástago de cubo de 7/16"

IMPORTANTE: AL CONECTAR UN ACCIONADOR TIPO TROLE PARA PUERTAS DE GARAJE A UNA PUERTA SERIE 9700, SE HA DE INSTALAR DE MANERA SEGURA UN SOPORTE DE ACCIONADOR / TROLE WAYNE-DALTON A LA SECCIÓN SUPERIOR DE LA PUERTA, JUNTO CON CUALESQUIER BARRAS U PROVISTAS CON LA PUERTA. LA INSTALACIÓN DEL ACCIONADOR SE HA DE EFECTUAR DE CONFORMIDAD CON LAS INSTRUCCIONES Y LOS VALORES DE LAS FUERZAS SE HAN DE AJUSTAR ADECUADAMENTE.

Ubicar el centro de la sección superior o la barra U instalada en la fábrica como se muestra en la FIG. 1.1.

PARA LA SECCIÓN SUPERIOR CON BARRA U:

Retirar y guardar 4-6 tornillos del centro de la barra U, permitiendo que el soporte de la puerta se deslice entre la sección y la barra U.

Colocar el soporte de la puerta hasta que descansa sobre el extremo macho de la sección, como se muestra en la FIG. 1.2. Se ha de centrar y colocar el soporte de la puerta sobre la parte superior de la sección de modo que una el punto de transición del espesor de la sección.

Instalar el soporte de la puerta con tornillos autoterrajantes de 1/4"-14 x 5/8", como se muestra en la FIG. 1.4. Reinstalar la barra U con dos (2) tornillos autopercutores de 1/4"-20 x 11/16" a través del soporte de la puerta, como se muestra en la FIG. 1.3. Concluir la reinstalación de la barra U con los tornillos autoterrajantes retirados anteriormente.

PARA LA SECCIÓN SUPERIOR SIN BARRA U:

Colocar el soporte de la puerta hasta que descansa sobre el extremo macho de la sección, como se muestra en la FIG. 1.2. Se ha de centrar y colocar el soporte de la puerta sobre la parte superior de la sección de modo que una el punto de transición del espesor de la sección. Instalar el soporte de la puerta con tornillos autoterrajantes de 1/4"-14 x 5/8", como se muestra en la FIG. 1.4.

NOTA: Después de completarse este paso, continuar con el Paso 7.

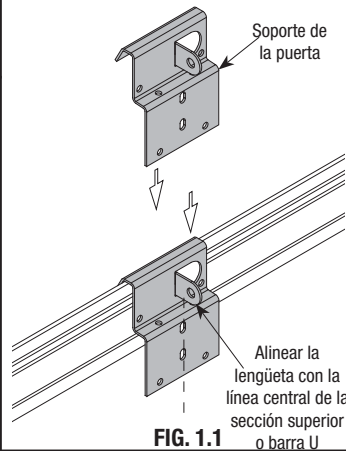


FIG. 1.1

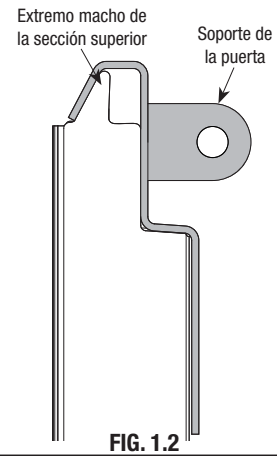


FIG. 1.2

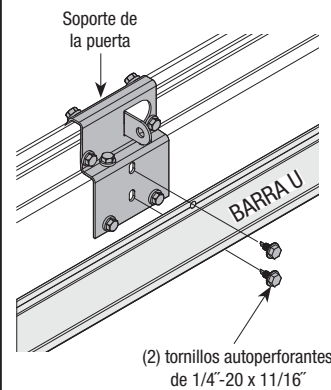


FIG. 1.3

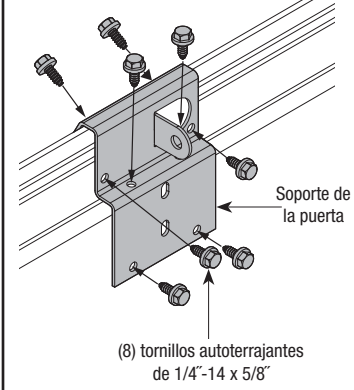
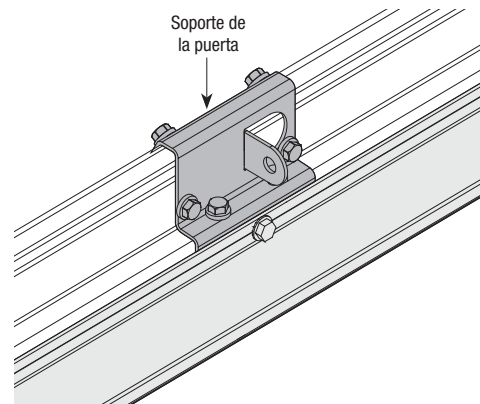
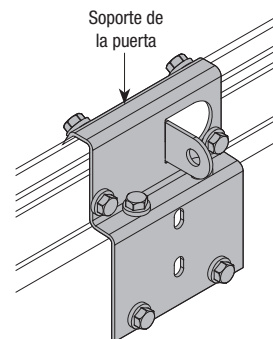


FIG. 1.4



Sección superior con barra U



Sección superior sin barra U



Montaje del soporte de puerta a una (puerta de la serie 9100, 9400, 9600, 5120 y 5140)

Herramientas necesarias:

Taladro eléctrico

Vástago de cubo de 7/16"

Mordazas de presión

Destornillador de cabeza Phillips

IMPORTANTE: AL CONECTAR UN ACCIONADOR TIPO TROLE PARA PUERTAS DE GARAJE A LAS PUERTAS ENUMERADAS ARRIBA, SE HA DE INSTALAR DE MANERA SEGURA UN SOPORTE DE ACCIONADOR / TROLE WAYNE-DALTON A LA SECCIÓN SUPERIOR DE LA PUERTA, JUNTO CON CUALESQUIER BARRAS U PROVISTAS CON LA PUERTA. LA INSTALACIÓN DEL ACCIONADOR SE HA DE EFECTUAR DE CONFORMIDAD CON LAS INSTRUCCIONES Y LOS VALORES DE LAS FUERZAS SE HAN DE AJUSTAR ADECUADAMENTE.

Ubicar el centro de la sección superior y asentar el soporte de puerta en el extremo macho de la sección superior. Se ha de centrar y colocar el soporte de la puerta sobre la sección superior de modo que una el punto de transición del espesor de la sección, como se muestra en las figuras 1.1. y 1.2. Instalar (2) tornillos de cabeza phillips nro. 12 x 1/2" en el lado opuesto del soporte de la puerta, como se muestra en la FIG. 1.3. Si la barra U provista inicialmente está en la puerta, amordazar el soporte a la barra U, como se muestra en la FIG. 1.4. Primero instalar los (3) tornillos autoterrajantes de 1/4" - 14 x 5/8" al soporte de la puerta, como se muestra en la FIG. 1.5. Luego, instalar (2) tornillos autoterrajantes de 1/4" - 14 x 5/8" al soporte de la puerta, como se muestra en la FIG. 1.6. Retirar las mordazas de presión.

NOTA: Si se tiene una puerta 9100, se pueden usar dos de los tornillos autoperforantes de 1/4" - 20 x 11/16" para instalar la barra U en vez de los tornillos autoterrajantes de 1/4" - 14 x 5/8" al instalar el soporte de la puerta a la barra U, como se muestra en la FIG. 1.6.

NOTA: Al instalarse el soporte de la puerta a la sección superior con barra U, aplicar presión adicional para enroscar los sujetadores en la barra U.

NOTA: Véase la FIG. 1.7 para instalar el soporte de la puerta en la sección superior sin barras U.

NOTA: Después de completarse este paso, continuar con el Paso 7.

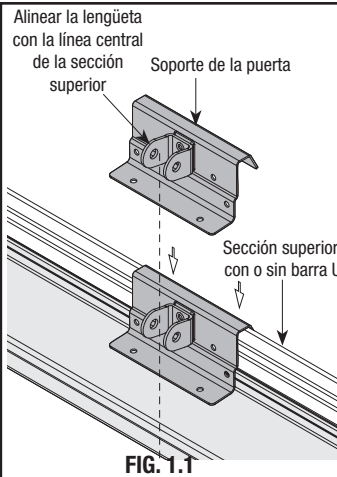


FIG. 1.1

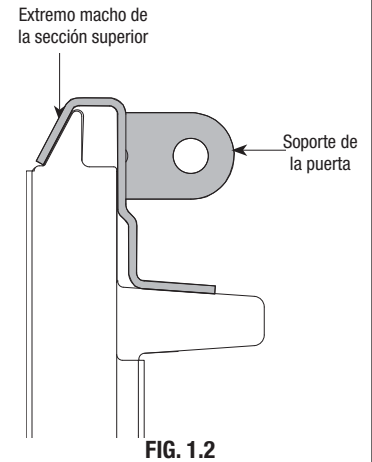


FIG. 1.2

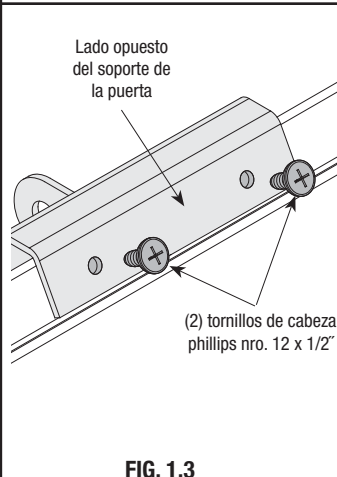


FIG. 1.3

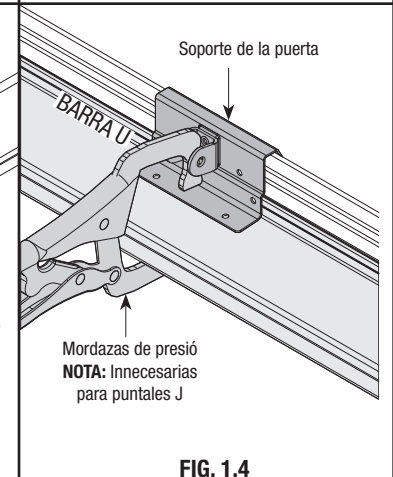


FIG. 1.4

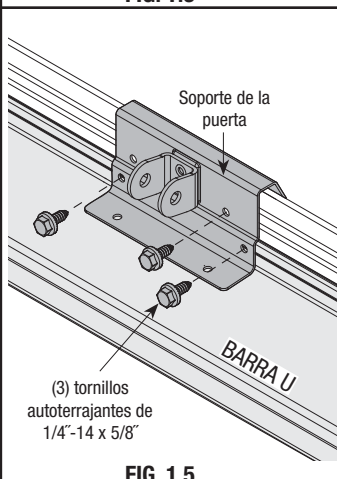


FIG. 1.5

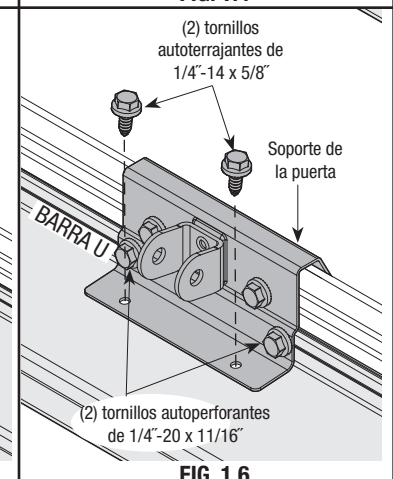


FIG. 1.6

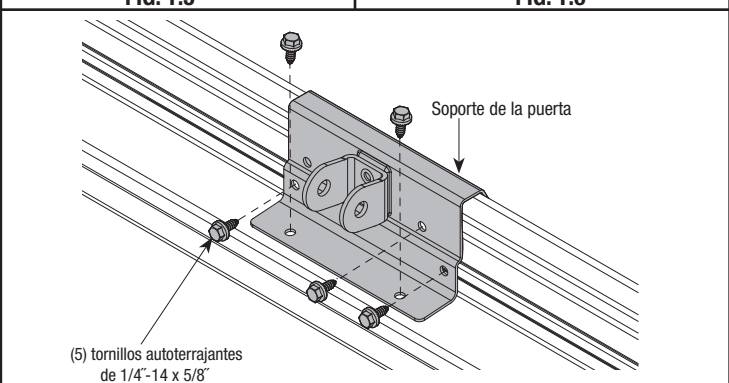


Fig. 1.7 Sección superior sin barra U



Configuración de la posición de cierre del trole / Conexión del brazo de la puerta

(Modelos 9100, 9400, 9600, 5120, 5140 y 9700) con TorqueMaster® o resortes de extensión

Herramientas necesarias:

Alicates de punta de aguja

Llave ajustable

Llave de trinquete

Cubo de 7/16"

Cubo de 9/16"

Sierra para metales

DETERMINAR EL RADIO DE RIEL WAYNE-DALTON UTILIZADO:

PARA LOS RIELES MOUNT HOPE Y PENSACOLA:

Medir los extremos curvos del riel horizontal para determinar si se tiene un riel horizontal con un radio de 12" ó 15", como se muestra en la FIG. 1.

PARA EL RIEL PORTLAND:

Los rieles horizontales tienen grabado el radio en el lado horizontal del riel, como se muestra en la FIG. 1.1.

NOTA: Si fuera necesario, retirar el brazo superior (brazo recto) del trole, para utilizar el brazo inferior (brazo curvo). Retirar la chaveta hendida del pasador de horquilla al frente del trole y deslizar la chaveta hendida hacia afuera lo suficiente como para deslizar el brazo superior fuera entre los lados izquierdo y derecho del cuerpo del trole. Colocar el brazo inferior de la puerta de modo que el extremo con el agujero singular esté alineado con el pasador de horquilla. Deslizar el pasador de horquilla completa y nuevamente en el trole y reinstalar la chaveta hendida.

FRANQUEO SUPERIOR REDUCIDO:

Si se tiene un riel con franqueo superior reducido, como se muestra en la FIG. 1.6 en la página 24, proceder con las "Tablas para posicionamiento del trole con franqueo superior reducido" en la página 24.

ELEVACIÓN ESTÁNDAR:

Con las **TABLAS PARA POSICIONAMIENTO DEL TROLE PARA ELEVACIÓN ESTÁNDAR**, referirse a DIM "X" para fijar la distancia del travesaño al trole, como se muestra en la FIG. 1.2.

NOTA: Dependiendo de la configuración en cuestión, se podría tener que recortar el brazo recto para lograr los valores deseados del trole.

TABLA PARA POSICIONAMIENTO DEL TROLE PARA ELEVACIÓN ESTÁNDAR PARA (MODELOS 9100, 9400, 9600, 5120 Y 5140) RADIOS DE 10" Y 12"

DIM "X"	TIPO DE BRAZO UTILIZADO	ILUSTRACIONES DE REFERENCIA
11 1/2"	CURVO / RECTO	FIG. 1.4

Si es necesario ajustar la posición del trole, utilizar el tornillo de ajuste del recorrido de cierre ubicado en la parte inferior del accionador, como se muestra en la FIG. 1.5, en la página 24. Un cuarto (1/4) de vuelta equivale aproximadamente a 2.5 cm (1") de recorrido del trole; girarlo en sentido horario para reducir la distancia (hacia adelante) y en sentido antihorario para aumentar la distancia (hacia adelante).

NOTA: Proceder con "Conexión del brazo de la puerta a la puerta" Paso 18, en la página 14.



FIG. 1

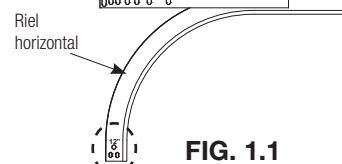


FIG. 1.1

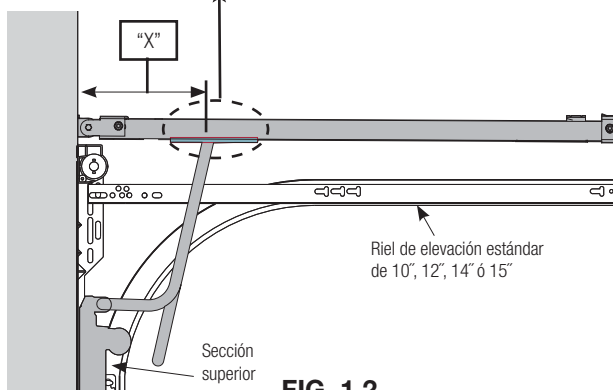
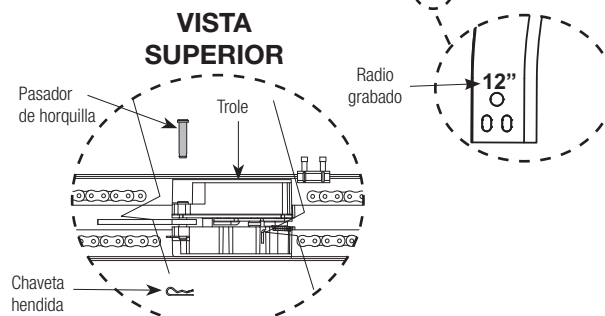


FIG. 1.2

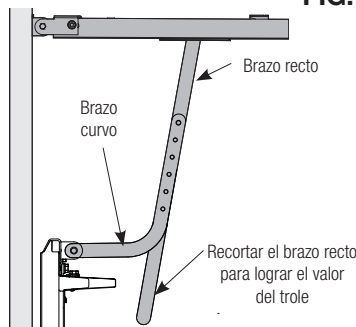


FIG. 1.3

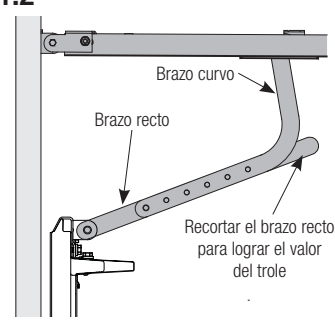


FIG. 1.4

TABLA PARA POSICIONAMIENTO DEL TROLE PARA ELEVACIÓN ESTÁNDAR PARA (MODELOS 9100, 9400, 9600, 5120 Y 5140) RADIOS DE 14" Y 15"

DIM "X"	TIPO DE BRAZO UTILIZADO	ILUSTRACIONES DE REFERENCIA
13"-15"	CURVO / RECTO	FIG. 1.4

TABLA PARA POSICIONAMIENTO DE TROLE DE ELEVACIÓN ESTÁNDAR PARA (MODELO 9700) RADIO DE 15"

DIM "X"	TIPO DE BRAZO UTILIZADO	ILUSTRACIONES DE REFERENCIA
10 9/16"-14 5/8"	RECTO / CURVO	FIG. 1.3

Configuración de la posición de cierre del trole / Conexión del brazo de la puerta (continuación)

FRANQUEO SUPERIOR REDUCIDO:
 Con las **TABLAS PARA POSICIONAMIENTO DEL TROLE PARA FRANQUEO SUPERIOR REDUCIDO**, referirse a **DIM "X"** para fijar la distancia del travesaño al trole, como se muestra en la FIG. 1.6.

NOTA: Dependiendo de la configuración en cuestión, se podría o no tener que recortar el brazo recto para lograr los valores deseados del trole.

Si es necesario ajustar la posición del trole, utilizar el tornillo de ajuste del recorrido de cierre ubicado en la parte inferior del accionador, como se muestra en la FIG. 1.5. Un cuarto (1/4) de vuelta equivale aproximadamente a 2.5 cm (1") de recorrido del trole; girarlo en sentido horario para reducir la distancia (hacia adelante) y en sentido antihorario para aumentar la distancia (hacia adelante).

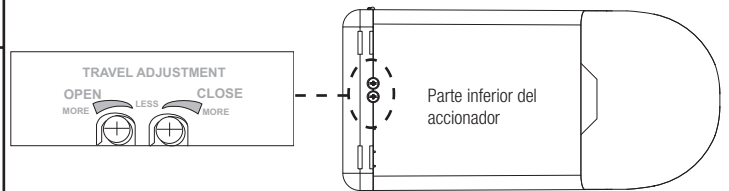


FIG. 1.5

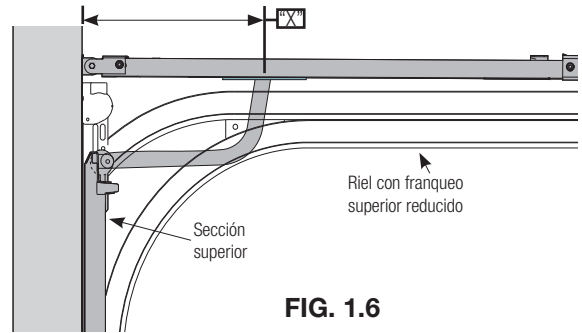


FIG. 1.6

TABLA PARA POSICIONAMIENTO DEL TROLE CON FRANQUEO SUPERIOR REDUCIDO (MODELOS 9100, 9400, 9600, 5120 Y 5140)

DIM "X"	TIPO DE BRAZO UTILIZADO	ILUSTRACIONES DE REFERENCIA A LA DERECHA
14 1/2"	CURVO / RECTO	FIG. 1.7
CONEXIÓN OPCIONAL		
10" - 14"	RECTO	FIG. 1.7a

TABLA PARA POSICIONAMIENTO DEL TROLE CON FRANQUEO SUPERIOR REDUCIDO (MODELO 9700)

DIM "X"	TIPO DE BRAZO UTILIZADO	ILUSTRACIONES DE REFERENCIA
14 3/4"- 17 11/16"	CURVO / RECTO	FIG. 1.7
CONEXIÓN OPCIONAL		
10" - 14"	RECTO	FIG. 1.7a

NOTA: Proceder con "Conexión del brazo de la puerta a la puerta" Paso 18, en la página 14.

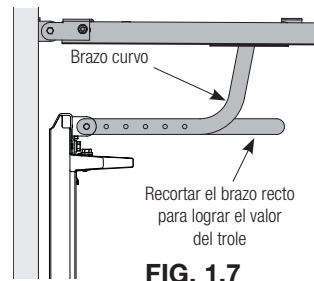


FIG. 1.7

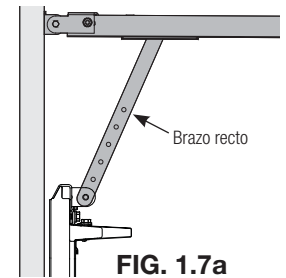


FIG. 1.7a



Configuración de la posición de cierre del trole / Conexión del brazo de la puerta (Modelos 9100, 9400, 9600, 5120, 5140 y 9700) con resortes de torsión

Herramientas necesarias:

Alicates de punta de aguja

Llave ajustable

Llave de trinquete

Cubo de 7/16"

Cubo de 9/16"

Sierra para metales

DETERMINAR EL RADIO DE RIEL WAYNE-DALTON UTILIZADO:

PARA LOS RIELES MOUNT HOPE Y PENSACOLA:

Medir los extremos curvos del riel horizontal para determinar si se tiene un riel con radio horizontal de 12" ó 15", como se muestra en la FIG. 1.

PARA EL RIEL PORTLAND:

Los rieles horizontales tienen grabado el radio en el lado horizontal del riel, como se muestra en la FIG. 1.1.

NOTA: Si fuera necesario, retirar el brazo superior (brazo recto) del trole, para utilizar el brazo inferior (brazo curvo). Retirar la chaveta hendida del pasador de horquilla al frente del trole y deslizar la chaveta hendida hacia afuera lo suficiente como para deslizar el brazo superior fuera entre los lados izquierdo y derecho del cuerpo del trole. Colocar el brazo inferior de la puerta de modo que el extremo con el agujero singular esté alineado con el pasador de horquilla. Deslizar el pasador de horquilla completa y nuevamente en el trole y reinstalar la chaveta hendida.

FRANQUEO SUPERIOR REDUCIDO:

Si se tiene un riel con franqueo superior reducido, como se muestra en la FIG. 1.5 en la página 26, proceder con las "Tablas para posicionamiento del trole con franqueo superior reducido" en la página 26.

ELEVACIÓN ESTÁNDAR:

Con las **TABLAS PARA POSICIONAMIENTO DEL TROLE PARA ELEVACIÓN ESTÁNDAR**, referirse a **DIM "X"** para fijar la distancia del travesaño al trole, como se muestra en la FIG. 1.2.

NOTA: Dependiendo de la configuración en cuestión, se podría tener que recortar el brazo recto para lograr los valores deseados del trole.

TABLA PARA POSICIONAMIENTO DEL TROLE DE ELEVACIÓN ESTÁNDAR PARA (MODELOS 9100, 9400, 9600, 5120 Y 5140) RADIOS DE 10" Y 12"

DIM "X"	TIPO DE BRAZO UTILIZADO	ILUSTRACIONES DE REFERENCIA
11 1/2"-13"	RECTO / CURVO	FIG. 1.3

Si es necesario ajustar la posición del trole, utilizar el tornillo de ajuste del recorrido de cierre ubicado en la parte inferior del accionador, como se muestra en la FIG. 1.4, en la página 26. Un cuarto (1/4) de vuelta equivale aproximadamente a 2.5 cm (1") de recorrido del trole; girarlo en sentido horario para reducir la distancia (hacia adelante) y en sentido antihorario para aumentar la distancia (hacia adelante).

NOTA: Proceder con "Conexión del brazo de la puerta a la puerta" Paso 18, en la página 14.

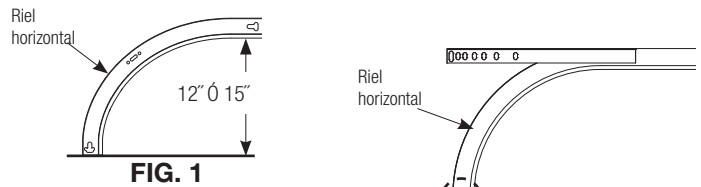


FIG. 1

VISTA SUPERIOR

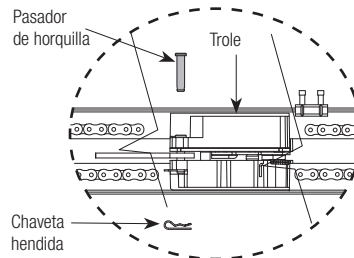


FIG. 1.1

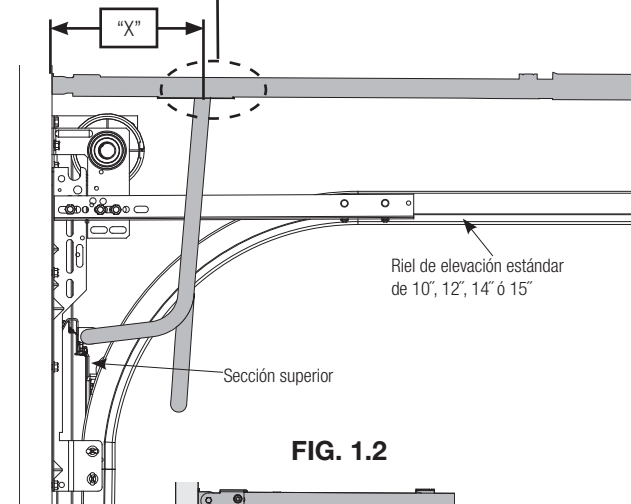
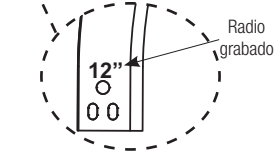


FIG. 1.2

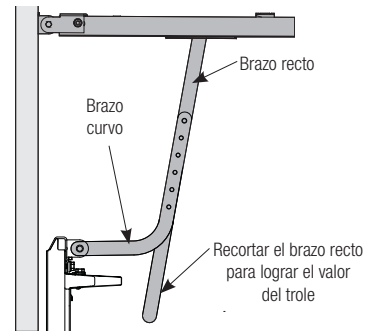


FIG. 1.3

TABLA PARA POSICIONAMIENTO DEL TROLE DE ELEVACIÓN ESTÁNDAR PARA (MODELOS 9100, 9400, 9600, 5120 Y 5140) RADIOS DE 14" Y 15"

DIM "X"	TIPO DE BRAZO UTILIZADO	ILUSTRACIONES DE REFERENCIA
10"-12"	RECTO / CURVO	FIG. 1.3

TABLA PARA POSICIONAMIENTO DEL TROLE DE ELEVACIÓN ESTÁNDAR PARA (MODELO 9700) RADIO DE 15"

DIM "X"	TIPO DE BRAZO UTILIZADO	ILUSTRACIONES DE REFERENCIA
11 1/16"-16 7/8"	RECTO / CURVO	FIG. 1.3

Configuración de la posición de cierre del trole / Conexión del brazo de la puerta (continuación)

FRANQUEO SUPERIOR REDUCIDO:
Con la **TABLA PARA POSICIONAMIENTO DEL TROLE PARA FRANQUEO SUPERIOR REDUCIDO**, referirse a **DIM "X"** para fijar la distancia del travesaño al trole, como se muestra en la FIG. 1.5.

NOTA: Dependiendo de la configuración en cuestión, se podría tener que recortar el brazo recto para lograr los valores deseados del trole.

Si es necesario ajustar la posición del trole, utilizar el tornillo de ajuste del recorrido de cierre ubicado en la parte inferior del accionador. Un cuarto (1/4) de vuelta equivale aproximadamente a 2.5 cm (1") de recorrido del trole; girarlo en sentido horario para reducir la distancia (hacia adelante) y en sentido antihorario para aumentar la distancia (hacia adelante).

TABLA PARA POSICIONAMIENTO DEL TROLE CON FRANQUEO SUPERIOR REDUCIDO (MODELOS 9100, 9400, 9600, 5120 Y 5140)		
DIM "X"	TIPO DE BRAZO UTILIZADO	ILUSTRACIONES DE REFERENCIA
20"	CURVO / RECTO	FIG. 1.6
CONEXIÓN OPCIONAL		
10" - 14"	RECTO	FIG. 1.6a

TABLA PARA POSICIONAMIENTO DEL TROLE CON FRANQUEO SUPERIOR REDUCIDO PARA MODELO 9700		
DIM "X"	TIPO DE BRAZO UTILIZADO	ILUSTRACIONES DE REFERENCIA
15"-18"	CURVO / RECTO	FIG. 1.6
CONEXIÓN OPCIONAL		
10" - 14"	RECTO	FIG. 1.6a

NOTA: Proceder con "Conexión del brazo de la puerta a la puerta" Paso 18, en la página 14.

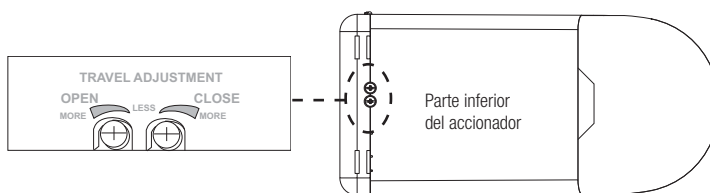


FIG. 1.4

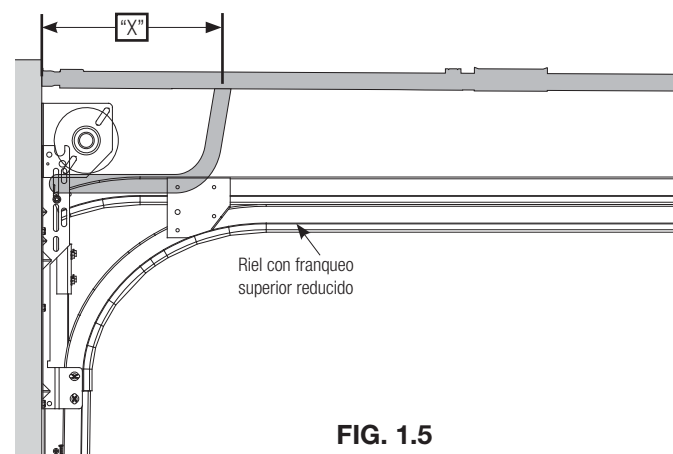


FIG. 1.5

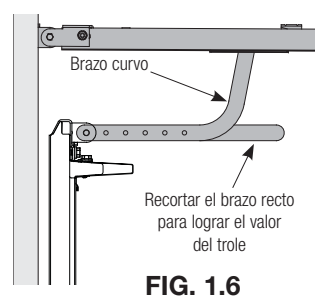


FIG. 1.6

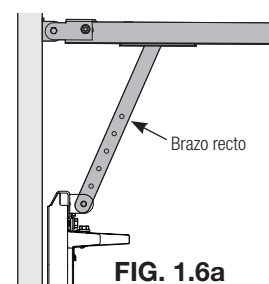


FIG. 1.6a



INSTRUCCIONES DE SEGURIDAD IMPORTANTES

ADVERTENCIA

PARA REDUCIR EL RIESGO DE LESIÓN SEVERA O LA MUERTE:

1. LEER Y SEGUIR TODAS LAS INSTRUCCIONES.
2. Jamás permitir que niños operen los controles de la puerta o jueguen con éstos. Mantener los controles remotos alejados de los niños.
3. Siempre mantener una puerta en movimiento a la vista y mantener a personas y objetos alejados hasta que ésta esté completamente cerrada. NADIE DEBERÍA CRUZAR EL UMBRAL DE UNA PUERTA EN MOVIMIENTO.
4. JAMÁS UBICARSE BAJO UNA PUERTA PARADA, PARCIALMENTE ABIERTA.
5. Probar la puerta / accionador mensualmente. La puerta del garaje HA DE retroceder al hacer contacto con un objeto de 38 mm (1-1/2") de altura (o un cuartón de 51 mm x 102 mm [2" x 4"] sobre una cara) en el piso. También, la puerta HA DE retroceder al colocarse un objeto de 15 cm (6") de altura sobre el piso, en línea con los sensores de seguridad. Si la puerta / accionador falla estas pruebas, hacer que se efectúen inmediatamente ajustes / reparaciones. El no efectuar ajustes / reparaciones podría causar lesiones graves o fatales.
6. Cuando sea posible, utilizar el desconector de emergencia sólo cuando la puerta esté en la posición cerrada. Tener suma cautela al utilizar el desconector de emergencia cuando la puerta está abierta. Resortes débiles o averiados podrían dar lugar a la caída súbita de la puerta y causar lesiones severas o fatales.
7. MANTENER LA PUERTA DEL GARAJE EQUILIBRADA CORRECTAMENTE. Véase el manual del propietario incluido con la puerta. Una puerta desequilibrada podría causar lesiones graves o fatales. Contratar a un especialista de mantenimiento para efectuar reparaciones a cables, conjuntos de resortes y otros herrajes.

8. GUARDAR ESTAS INSTRUCCIONES.

Activación de la puerta:

Al activarla, ya sea con el botón Arriba / Abajo de la estación de trabajo, con el transmisor o con el acceso inalámbrico sin llave, la puerta se moverá en la manera siguiente:

1. Si está abierta, la puerta se cerrará. Si está cerrada, la puerta se abrirá.
2. Si está cerrándose, la puerta parará. La próxima activación la abrirá.
3. Si está abriéndose, la puerta parará. La próxima activación la cerrará.
4. Si hace contacto con una obstrucción o el haz del sensor de seguridad se interrumpe durante el cierre, la puerta retrocederá y la luz destellará.
5. Si se encuentra una obstrucción durante la apertura, la puerta parará y la luz destellará. La próxima activación cerrará la puerta.
6. El sensor infrarrojo de seguridad utiliza un haz invisible que, al ser interrumpido por una obstrucción, hace que una puerta que esté abriéndose retroceda, evita que una puerta abierta se cierre y hace que la luz destelle.

ADVERTENCIA

SIEMPRE MANTENER LA PUERTA EN MOVIMIENTO A LA VISTA Y MANTENER A PERSONAS Y OBJETOS ALEJADOS DE LA MISMA HASTA QUE ESTÉ COMPLETAMENTE CERRADA. PARA EVITAR UNA LESIÓN GRAVE O FATAL, EVITAR PARARSE O CAMINAR EN EL UMBRAL DE LA PUERTA CUANDO ÉSTA ESTÁ EN MOVIMIENTO.

ADVERTENCIA

JAMÁS PERMITIR QUE NIÑOS OPEREN LOS CONTROLES DE LA PUERTA O JUEGUEN CON ÉSTOS. MANTENER LOS CONTROLES REMOTOS FUERA DEL ALCANCE DE NIÑOS. SI UN NIÑO(A) QUEDA ATRAPADO ENTRA LA PUERTA Y EL PISO, PUEDE OCURRIR UNA LESIÓN FATAL.

ADVERTENCIA

MANTENER LA PUERTA DEL GARAJE EQUILIBRADA CORRECTAMENTE. UNA PUERTA DESEQUILIBRADA PODRÍA CAUSAR LESIONES GRAVES O FATALES. CONTRATAR A UN ESPECIALISTA EN MANTENIMIENTO PARA EFECTUAR AJUSTES / REPARACIONES A CABLES, CONJUNTOS DE RESORTES Y OTROS HERRAJES.

Desconector de emergencia:

ADVERTENCIA

LA PUERTA DEBERÍA ESTAR CERRADA COMPLETAMENTE AL ACTIVARSE EL DESCONECTOR DE DESENGANCHE DE EMERGENCIA. RESORTES DÉBILES O AVERIADOS PODRÍAN DAR LUGAR A LA CAÍDA SÚBITA DE LA PUERTA Y CAUSAR LESIONES SEVERAS O FATALES.

El accionador está provisto de un sistema de desconector tipo trole recedido para desenganche de emergencia, el cual habilita la operación manual de la puerta durante un corte eléctrico. El trole se desconecta de la cadena al tirarse hacia abajo de la perilla de desenganche roja, permitiendo que se opere la puerta del garaje manualmente. No utilizar la perilla de desenganche manual para tirar de la puerta para abrirla o cerrarla. El trole se reconectará automáticamente al restablecerse la energía eléctrica y activarse la puerta. Si se utiliza el desenganche de emergencia, cerrar la puerta antes de operar el accionador.

NOTA: Hay disponibles cerraduras exteriores con llave para desenganche de emergencia; se las recomienda para garajes sin entrada de servicio.

CÓMO FUNCIONA LA LUZ Y QUÉ SIGNIFICA CUANDO DESTELLA:

1. La luz superior se enciende automáticamente al activarse el accionador y permanece encendida durante 4 minutos por cortesía y seguridad.
2. La luz destella si el accionador detecta alguna obstrucción en la dirección vertical (hacia arriba o hacia abajo), para advertir sobre un problema. Continúa destellando durante 1 minuto, y a continuación, se apaga. Si la luz comienza a destellar y la puerta se desplaza una distancia corta y luego retrocede por activación del botón de una estación de pared, transmisor o acceso sin llave, el dispositivo externo del sensor de seguridad está activado o defectuoso. Para sobreponerse temporalmente al dispositivo del sensor de seguridad y cerrar la puerta, activar el botón arriba / abajo de la estación de pared, manteniendo el botón oprimido; el accionador comenzará en sentido descendente. El botón ha de permanecer oprimido hasta completarse el ciclo. Si se suelta el botón antes de completarse el ciclo, la puerta retrocede hasta la posición completamente abierta. Un especialista de mantenimiento debería corregir los problemas en el sistema de seguridad.

NOTA: Una puerta completamente abierta con una luz destellante indica una obstrucción o problemas con sensores de seguridad externos durante el recorrido de cierre. Consúltese la sección de diagnóstico y resolución de problemas en la página 35.



Operación de la estación inalámbrica de pared

Botón Arriba / Abajo:

Oprimir momentáneamente el botón Arriba / Abajo arranca o para el movimiento de la puerta o cambia el sentido de desplazamiento de la puerta. El oprimir y retener el botón Arriba/Abajo durante el recorrido de la puerta invalida los sensores de seguridad. Cuando la unidad está cerrada, se puede activar el botón Arriba/Abajo al oprimirse la cubierta pivotal.

⚠ ADVERTENCIA

SI LA PUERTA VUELVE NECESARIO SOBREPONERSE A LOS SENSORES DE SEGURIDAD, SE HA DE CORREGIR ESA CONDICIÓN INMEDIATAMENTE. HACER CASO OMISO DE AJUSTES / REPARACIONES NECESARIAS PODRÍA RESULTAR EN LESIONES GRAVES O FATALES.

Botón de luz:

Oprimir momentáneamente el botón de la luz enciende la luz de cortesía. La luz permanecerá encendida hasta que se oprima nuevamente el botón de la luz o se active la puerta. La luz se enciende automáticamente con la activación de la puerta y permanece encendida durante 4 minutos. Oprimir el botón de la luz antes de transcurridos los 4 minutos apaga la luz. Mientras la puerta está en movimiento, el botón de la luz funciona de manera idéntica que el botón Arriba / Abajo: hace que la puerta pare o retroceda inmediatamente.

Botón de temporizador:


El oprimir momentáneamente el botón del temporizador produce una activación retardada de una puerta estacionaria completamente abierta. El accesorio de luz o la lámpara del accionador emite destellos durante aproximadamente 10 segundos antes de iniciarse el cierre de la puerta, permitiendo así suficiente tiempo para salir del garaje cuando el accionador está en el modo temporizador. Para cancelar el modo temporizador, oprimir cualquier botón, excepto el botón de programación, mientras la lámpara del accionador está destellando intermitentemente.

NOTA: La característica de temporización funciona solo con la puerta en la posición completamente abierta. El oprimir el botón del temporizador con una puerta estacionaria en cualquier otra posición hace que la lámpara del accionador destelle 4 veces y que no se active la puerta.

Mientras la puerta está en movimiento, el botón del temporizador funciona igual que el botón Arriba/Abajo: detiene o invierte el recorrido de la puerta inmediatamente.

Interruptor corredizo para vacación:

El interruptor corredizo tiene dos posiciones: Normal, y Bloqueo de puerta

Posición normal: 

Desplazar el interruptor corredizo a la posición normal para todas las funciones normales del accionador. La posición normal anula la característica de bloqueo de la puerta.

NOTA: Cuando se desplaza el interruptor corredizo a la posición desbloqueada, el accesorio de luz del accionador destella tres veces.

Posición Bloqueo de puerta: 

Si se detiene la puerta (completamente abierta, completamente cerrada o parcialmente abierta) colocar el interruptor corredizo en la posición "bloqueo de puerta" para suspender todas las funciones normales del accionador. El accionador permanecerá completamente deshabilitado y no funcional en este modo. Se ignora toda estación de pared, transmisor y unidad de acceso inalámbrico sin llave hasta que se coloque el interruptor corredizo en la posición normal. Si la puerta está en movimiento cuando se coloca el interruptor corredizo en la posición "bloqueo de puerta", no se activa el modo bloqueo de puerta y todas las funciones del accionador permanecen activas.

NOTA: Cuando se coloca el interruptor corredizo en la posición de bloqueo, el accesorio de luz del accionador destella tres veces.

Luz del diodo emisor de luz retroiluminado:

El diodo emisor de luz rojo destella para ayudar a localizar la estación de pared en un garaje oscuro. Se puede cambiar la frecuencia del destello para prolongar la vida útil de las pilas, o bien, se puede apagar. La frecuencia de destello es de un destello cada 3 segundos. Para prolongar la vida útil de las pilas se puede cambiar la frecuencia de destello a un destello cada 6 segundos. Para cambiar la frecuencia de destello, retirar la cubierta de las pilas y retirar una pila. Reinstalar la pila y dentro de 2 segundos, oprimir el botón Luz. Reinstalar la cubierta de las pilas.

Para una vida útil más prolongada de las pilas, se puede apagar el destello. Para hacerlo, retirar la cubierta de las pilas y retirar una pila.

Reinstalar la pila y dentro de 2 segundos oprimir el botón Mascota. Reinstalar la cubierta de las pilas.

NOTA: El diodo emisor de luz rojo de la estación de pared destella rápidamente mientras se mantenga presionado cualquier botón de la estación de pared.

Posición para mascotas:

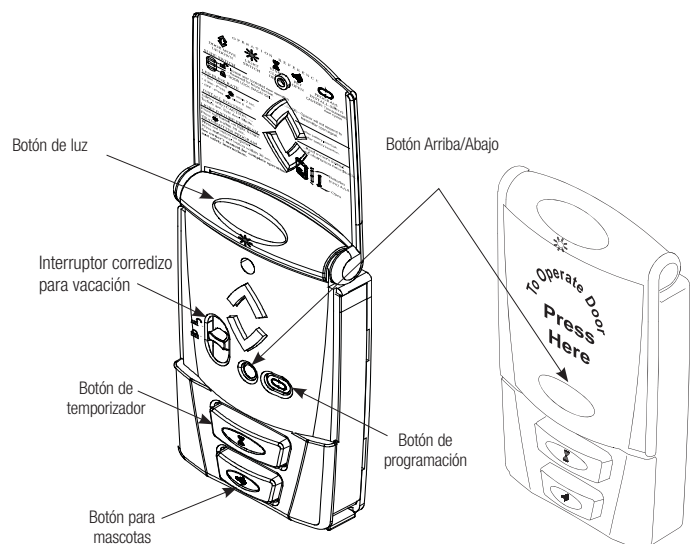
Al oprimirse el botón para mascotas se abre una puerta cerrada a una posición predeterminada de entre 127 y 762 mm (5 y 30 pulgadas) sobre el piso, para permitir que las mascotas entren y salgan del garaje sin que la puerta esté completamente abierta. Es preciso que la puerta esté completamente cerrada para activar la característica de apertura para mascotas. El oprimir el botón para mascotas con una puerta estacionaria en la posición abierta para mascotas hace que la puerta se cierre. Oprimir el botón Arriba/Abajo mientras la puerta está en la posición para mascotas funciona idénticamente que el botón Arriba/Abajo: detiene o invierte el recorrido de la puerta inmediatamente. La característica para mascotas permite la configuración personalizada de la altura de la puerta para la posición para mascotas.

NOTA: Una puerta en la "posición para mascotas" (abierta de 127 a 762 mm [5 a 30"] no está bloqueada y no se la debe usar como una posición asegurada de la puerta.

Botón de programación:

El botón de programación de la estación de pared tiene varias funciones.

- Se lo puede utilizar para establecer una posición personalizada para mascotas. (Véase Personalización de la configuración, en la página siguiente.)
- Se lo puede utilizar para establecer la fuerza de cierre del accionador (véase el ajuste nro. 1 en la página 32).





Personalización de la configuración

Posición personalizada para mascotas:

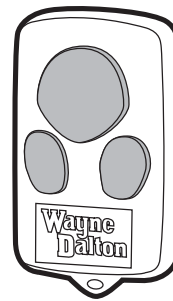
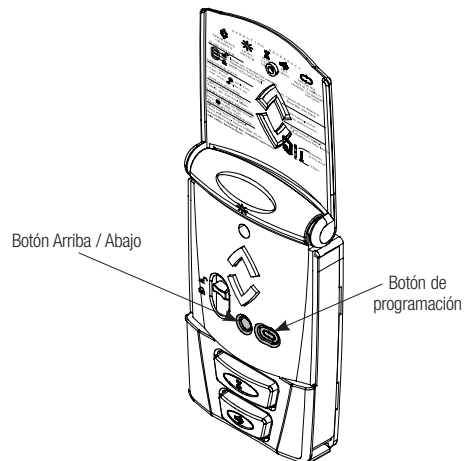
El botón para mascotas abre una puerta cerrada hasta una posición predeterminada entre 127 y 762 mm (5 y 30") sobre el piso, para permitir que las mascotas entren y salgan del garaje sin que la puerta esté completamente abierta. Para cambiar la altura de apertura automática de la puerta para mascotas:

Comenzar con la puerta en la posición cerrada.

1. Accionar la puerta y luego detenerla a la altura deseada. Si no se logra la altura deseada, es preciso volver la puerta a la posición cerrada.
2. Oprimir y soltar el botón de programación de las estaciones de pared, o bien, el botón del interruptor de programación del accionador, dos veces. La luz de estado en la unidad del accionador y la luz superior destellará a una frecuencia normal.
3. Oprimir el botón para mascotas. La luz de estado del accionador y la luz superior destellan tres veces para indicar una programación exitosa.

Programación de puertas múltiples:

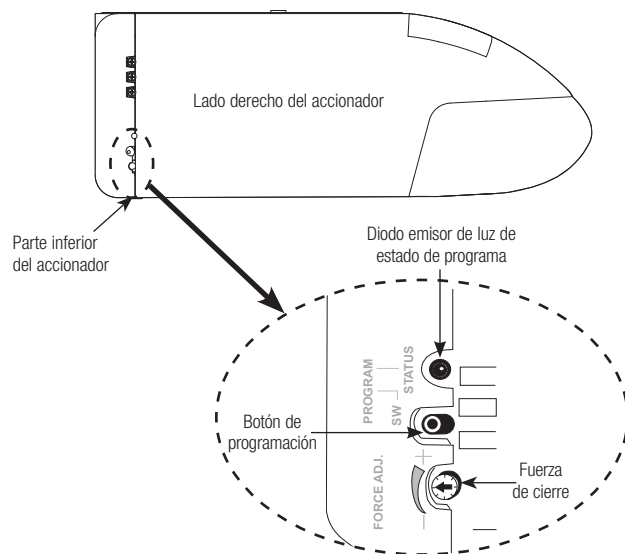
Oprimir momentáneamente el botón programado en el paso de programación del transmisor activa la puerta. También se pueden programar otros botones para activar puertas diferentes, para instalaciones con puertas múltiples. Se puede programar cada botón o combinación de dos botones oprimidos simultáneamente para activar una puerta diferente. Solo se puede programar un botón a la vez para activar un accionador específico.



Controles del accionador

El botón de programación ubicado en el lado derecho del accionador tiene varias funciones.

1. Oprimir el botón de programación una vez enciende la luz de estado y la lámpara superior de manera sostenida. Este modo permite la programación de transmisores, acceso inalámbrico sin llave y estaciones inalámbricas de pared (véase la página 33).
2. Oprimir el botón de programación dos veces produce el destello de la luz de estado y de la lámpara superior. Este modo permite la programación de una posición personalizada para mascotas (véase "Personalización de la configuración" arriba).
3. Oprimir el botón de programación tres veces hace que la luz de estado y la lámpara superior se enciendan y apaguen intermitentemente, con una pausa prolongada entre cada ciclo de centelleo. Este modo permite programar la fuerza de apertura (véase la página 32).
4. Oprimir y retener el botón de programación durante 10 segundos borra todos los transmisores, estación multifunción de pared y el acceso inalámbrico sin llave de la memoria. La luz de estado y la luz superior centellearán 3 veces para indicar una operación de borrado exitosa.





Programación primaria de HomeLink® para Prodrive®

NOTA: Se puede efectuar este paso únicamente en automóviles equipados con el sistema HomeLink®.

NOTA: La programación HomeLink® necesita un transmisor Wayne-Dalton que esté programado para el accionador (la estación de pared y el(los) transmisor(es) provisto(s) con el accionador viene(n) programado(s) de fábrica). Es preciso programar todo transmisor adicional para el accionador; véase la página 33.

IMPORTANTE: Utilizar las instrucciones de programación provistas inicialmente con el vehículo. Seguir estas instrucciones si la unidad HomeLink® no aprende a comunicarse con el transmisor al utilizar las instrucciones del vehículo.

NOTA: Si la programación primaria no funciona, utilizar el procedimiento alternativo expuesto en la página siguiente.

NOTA: Es posible que el vehículo deba estar en la posición accesorio al efectuar la programación. Consultar el manual del propietario del vehículo.

NOTA: HomeLink® es una marca comercial registrada de Johnson Controls.

Programación / Entrenamiento de la unidad HomeLink®

ADVERTENCIA

LA PUERTA DEL GARAJE PODRÍA FUNCIONAR DURANTE LA PROGRAMACIÓN. PARA EVITAR LESIONES GRAVES O FATALES POSIBLES, COLOCAR LA EMPUÑADURA DEL DESCONECTOR DE EMERGENCIA EN LA POSICIÓN DE OPERACIÓN MANUAL.

1. Tirar del desconector manual para colocar el accionador en la posición desenganchada.
2. Verificar que la unidad HomeLink® tenga un canal vacío. Oprimir el botón HomeLink® deseado y observar la luz indicadora: si centellea lentamente, el canal está vacío y listo para programación. Si oprimir el canal / botón deseado causa que la luz indicadora centellee rápidamente, o se encienda sin centellear, este canal ya está programado. Es necesario escoger un canal / botón diferente en el HomeLink® o ejecutar el Paso 3 que aparece a continuación.

3. OPCIONAL. Para despejar completamente todos los canales de la unidad HomeLink®, oprimir y retener los dos botones exteriores en la unidad HomeLink® hasta que la luz indicadora del HomeLink® comience a centellear rápidamente (aproximadamente 20 segundos), luego soltar ambos botones. (No efectuar este paso para entrenar transmisores manuales adicionales.) **NOTA:** Esta operación borra todos los transmisores aprendidos previamente y será necesario enseñarle nuevamente cualquier otro transmisor a la unidad HomeLink®.

4. Sujetar el extremo del transmisor manual Wayne-Dalton de 2.5 cm a 7.5 cm (1 a 3 pulgadas) aproximadamente de la superficie de HomeLink®, manteniendo la luz indicadora a la vista.

5. Oprimir y retener simultáneamente el botón grande del transmisor Wayne-Dalton y el botón deseado del módulo HomeLink®, continuar sujetando ambos botones. En menos de 10 segundos, el diodo emisor de luz del módulo HomeLink® se iluminará de manera sostenida o centelleará una vez rápidamente. Soltar ambos botones cuando uno de ellos ocurra.

NOTA: Si este procedimiento no tiene éxito, efectuar el procedimiento alternativo.

Cómo enseñarle HomeLink® al accionador

6. Oprimir y soltar el interruptor de programación en el accionador. Se encenderán la luz roja de estado de programación en el accionador y la luz; permanecerán encendidas durante un minuto para indicar que está listo para aprender.
7. Oprimir el botón HomeLink® utilizado en el Paso 5 anterior durante 1 a 3 segundos. La luz de estado del programa y la luz de cortesía en el accionador se encenderán y se apagarán tres veces, para indicar un aprendizaje exitoso.
8. Oprimir el botón HomeLink® una vez más para operar la puerta. El accionador se activa y el trole viaja hacia la posición abierta; la próxima activación hace que el trole viaje hacia la posición cerrada y se reenganche. Operaciones subsiguientes mueven la puerta.



Programación alternativa de HomeLink® para Prodrive®

NOTA: Se puede efectuar este paso únicamente en automóviles equipados con el sistema HomeLink®.

NOTA: La programación HomeLink® necesita un transmisor Wayne-Dalton que esté programado para el accionador (la estación de pared y el(los) transmisor(es) provisto(s) con el accionador viene(n) programado(s) de fábrica). Es preciso programar todo transmisor adicional para el accionador; véase la página 33.

IMPORTANTE: Utilizar las instrucciones de programación provistas inicialmente con el vehículo. Seguir estas instrucciones si la unidad HomeLink® no aprende a comunicarse con el transmisor al utilizar las instrucciones del vehículo.

NOTA: Es posible que el vehículo deba estar en la posición accesorio al efectuar la programación. Consultar el manual del propietario del vehículo.

NOTA: HomeLink® es una marca comercial registrada de Johnson Controls.

Programación / Entrenamiento de la unidad HomeLink®

ADVERTENCIA

LA PUERTA DEL GARAJE PODRÍA FUNCIONAR DURANTE LA PROGRAMACIÓN. PARA EVITAR LESIONES GRAVES O FATALES POSIBLES, COLOCAR LA EMPUÑADURA DEL DESCONECTOR DE EMERGENCIA EN LA POSICIÓN DE OPERACIÓN MANUAL.

1. Tirar del desconector manual para colocar el accionador en la posición desenganchada.
2. Oprimir y sujetar los dos botones exteriores en la unidad HomeLink® hasta que la luz indicadora de HomeLink® comience a centellear rápidamente (aproximadamente 20 segundos), luego soltar ambos botones. (No efectuar este paso para entrenar transmisores manuales adicionales.) **NOTA:** Esta operación borra todos los transmisores aprendidos previamente y será necesario enseñarle nuevamente cualquier otro transmisor a la unidad HomeLink® mediante la repetición de los pasos 3 al 6 que aparecen a continuación.
3. Sujetar el extremo del transmisor manual Wayne-Dalton de 2.5 cm a 7.5 cm (1 a 3 pulgadas) aproximadamente de la superficie de HomeLink®, manteniendo la luz indicadora a la vista.
4. Utilizar el botón grande del transmisor Wayne-Dalton. Oprimir y sujetar simultáneamente el botón grande del transmisor Wayne-Dalton y el botón deseado del módulo HomeLink®. Continuar presionando ambos botones mientras se cuentan los centelleos en el módulo HomeLink®; entre 50 y 60 centelleos del diodo emisor de luz, éste quedará encendido, o centelleará rápidamente una vez; cuando uno de ellos ocurra, soltar el botón del transmisor Wayne-Dalton y el botón del módulo HomeLink®.

Cómo enseñarle HomeLink® al accionador

5. Oprimir el interruptor de programación en el accionador. Se encenderán la luz roja de estado de programación en el accionador y la luz; permanecerán encendidas durante un minuto para indicar que está listo para aprender.
6. Oprimir el botón de HomeLink® utilizado en el Paso 4 anterior durante 1 a 3 segundos. La luz de estado del programa en el accionador se encenderá y se apagará tres veces para indicar un aprendizaje exitoso.
7. Oprimir el botón HomeLink® una vez más para operar la puerta. El accionador se activa y el trole viaja hacia la posición abierta; la próxima activación hace que el trole viaje hacia la posición cerrada y se reenganche. Operaciones subsiguientes mueven la puerta.



Ajustes

Ajuste nro. 1: Fuerza de apertura y cierre

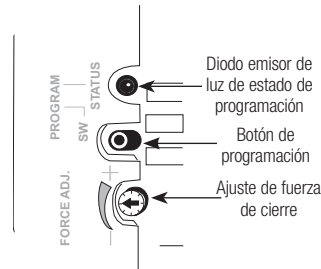
Este accionador para puertas de garaje incorpora un sistema de seguridad que permite a la puerta retroceder mientras se cierra y parar mientras se abre. Es preciso ajustarlo para que el accionador no utilice fuerza excesiva en el sentido de desplazamiento descendente ni reaccione al peso de la puerta durante el desplazamiento ascendente.

AJUSTE DE LA FUERZA DE CIERRE

Para ayudar a determinar que la fuerza de cierre de la puerta no sea excesiva, asir la manija o el borde inferior durante el desplazamiento descendente. El accionador debería RETROCEDER ante esta fuerza.

NOTA: No pararse bajo la puerta durante este prueba.

Para ajustar la fuerza de cierre, seguir uno de los dos métodos enumerados a continuación.



Método A (manual)

1. Girar el contador FORCE ADJ. (AJUSTE DE FUERZA) en sentido horario para disminuir la fuerza y repetir la prueba hasta que la puerta reaccione adecuadamente.

Método B (asistido por computadora)

1. Operar la puerta hacia la posición completamente abierta.
2. Girar el contador FORCE ADJ. (AJUSTE DE FUERZA) en sentido horario hasta el valor de fuerza mínima.
3. Oprimir el botón PROGRAM (PROGRAMACIÓN) dos veces hasta que el diodo emisor de luz quede encendido (5 segundos). El STATUS LED (DIODO EMISOR DE LUZ DE ESTADO) y la lámpara superior centelleará lentamente.
4. Operar la puerta hacia la posición completamente cerrada.
5. Girar el contador FORCE ADJ. (AJUSTE DE FUERZA) hasta que el STATUS LED (DIODO EMISOR DE LUZ DE ESTADO) fluctúe o sencillamente se apague.
6. Oprimir el botón PROGRAM (PROGRAMACIÓN) una vez para confirmar el parámetro.

AJUSTE DE LA FUERZA DE APERTURA

Para determinar que la fuerza de apertura no sea excesiva, asir la manija de la puerta o el borde inferior durante el desplazamiento ascendente de la misma. Si el accionador no para o es difícil de sujetar, reducir la configuración de la fuerza de apertura. El accionador debería PARAR sin usar fuerza excesiva.

Para cambiar la fuerza de apertura, seguir el procedimiento enumerado a continuación.

1. Operar la puerta hacia la posición completamente cerrada.
2. Oprimir el botón PROGRAM (PROGRAMACIÓN) tres veces. El STATUS LED (DIODO EMISOR DE LUZ DE ESTADO) y la lámpara superior centelleará. La velocidad del centelleo, la cual corresponde al valor configurado de la fuerza, consistirá de 1 a 5 centelleos rápidos seguidos por una pausa prolongada entre secuencias de centelleo.
3. La primera vez que se intente aumentar la fuerza, el valor configurado comenzará en el valor más débil (1 centelleo).
4. Para aumentar la fuerza, oprimir y soltar el botón arriba / abajo de la puerta en cualquier control. (El STATUS LED (DIODO EMISOR DE LUZ DEL ESTADO) permanecerá iluminado durante la pulsación del botón.)
5. Continuar oprimiendo y soltando el botón de la puerta hasta lograrse el valor deseado de la fuerza.
6. Oprimir el botón PROGRAMA una vez para confirmar el valor configurado.

Ajuste nro. 2: Detección de obstrucción por contacto (Desplazamiento de cierre)

El accionador está diseñado para hacer retroceder automáticamente la puerta durante el recorrido de cierre cuando ésta entre en contacto con un cuartón de 51 mm x 102 mm [2" x 4"] sobre una cara, en el piso. Un objeto en el piso con una altura menor de 38 mm (1-1/2") no causará que la puerta retroceda. (Efectuar la prueba de conformidad con las instrucciones en el Paso 21.)

Si el accionador retrocede correctamente al entrar en contacto con un cuartón de 51 mm x 102 mm [2" x 4"] sobre una cara, en el piso del garaje (Paso 21) y para sin el objeto sólido de prueba en la posición completamente cerrada, pasar al Ajuste nro. 3.

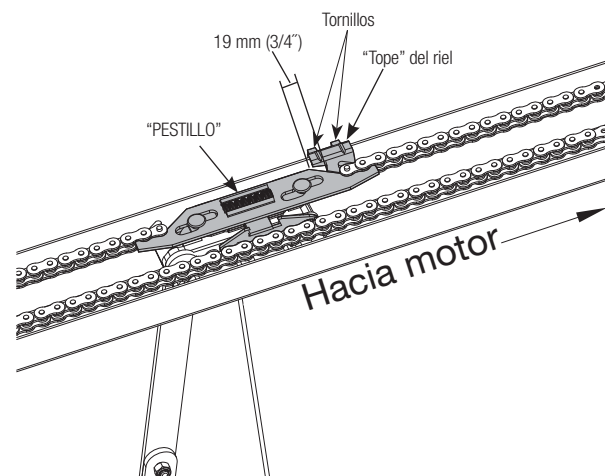
Cuando la puerta entre en contacto con un cuartón de 51 mm x 102 mm [2" x 4"] sobre una cara, en el piso del garaje, y para en lugar de retroceder, restablecer los límites de cierre de la puerta según la instrucción en el Paso 19, ajustándolo hasta que la puerta retroceda al entrar en contacto con un cuartón de 51 mm x 102 mm [2" x 4"] sobre una cara, en el piso del garaje.

Si la puerta retrocede al entrar en contacto con el piso, restaurar los límites de cierre de la puerta según la instrucción en el Paso 19.

Ajuste nro. 3: Bloqueo mecánico positivo de la puerta

El accionador para puertas de garaje está diseñado con un sistema automático de bloqueo mecánico. Este bloqueo asegura la puerta en la posición completamente cerrada.

Para ajustarlo, activar el accionador de la puerta y permitir que la puerta vaya a la posición completamente cerrada. Aflojar los dos tornillos en el tope del riel y moverlo detrás del conjunto del pestillo con un espacio de 19 mm (3/4") entre el "tope" y el "pestillo". Apretar los tornillos nuevamente.





Programación de la estación o estaciones de pared o transmisor(es) para el accionador

Herramientas necesarias:

Ninguna

⚠ ADVERTENCIA

ES POSIBLE QUE LA PUERTA FUNCIONE DURANTE LA PROGRAMACIÓN. MANTENER A PERSONAS Y OBJETOS ALEJADOS DE LA PUERTA EN MOVIMIENTO PARA EVITAR DAÑOS A LA PUERTA O POSIBLES LESIONES PERSONALES.

NOTA: La programación puede fallar si la estación de pared o transmisor está demasiado cerca del accionador durante la secuencia de programación. Es preciso que haya un mínimo de 1.8 m (6 pies) entre la estación de pared / transmisor y el accionador.

NOTA: Hasta 8 transmisores remotos, 2 estaciones de pared y 2 accesos sin llave pueden activar el accionador. Si se programa un noveno transmisor remoto, se perderá el primer remoto programado de la memoria. Lo mismo sucede si se programa un tercer acceso sin llave: el primero ya no estará en memoria y no operará el accionador.

NOTA: No oprimir ningún botón hasta que así se le indique.

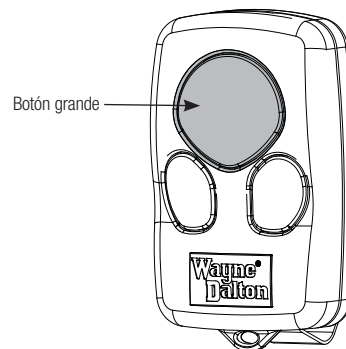
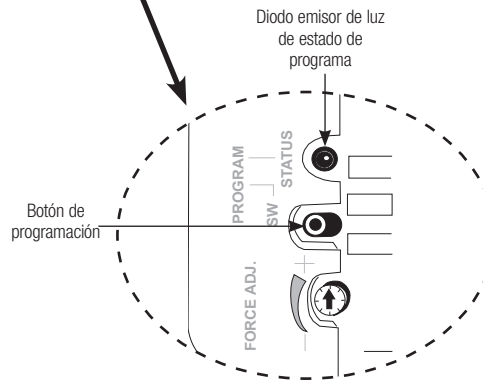
TRANSMISOR:

1. Oprimir y soltar el botón PROGRAM (PROGRAMACIÓN) ubicado en el accionador de la puerta del garaje. La luz roja de PROGRAM STATUS (ESTADO DE PROGRAMA) en la unidad del accionador y la lámpara superior se encenderán y permanecerán encendidas durante un minuto, para indicar la activación del modo de aprendizaje.
2. Oprimir uno de los botones en el transmisor que se desea utilizar para operar la puerta. La luz de PROGRAM STATUS (ESTADO DE PROGRAMA) destella tres veces para indicar un aprendizaje exitoso.
3. Oprimir el mismo botón en el transmisor una vez más para confirmar la operación. El accionador se encenderá y moverá la puerta.

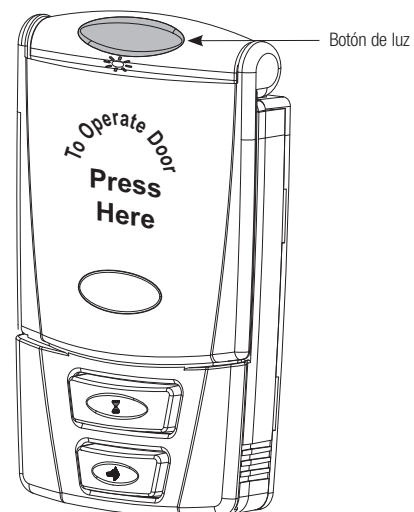
A este punto, se puede activar el accionador.

ESTACIÓN DE PARED:

1. Oprimir y soltar el botón PROGRAM (PROGRAMACIÓN) ubicado en el accionador de la puerta del garaje. La luz roja de PROGRAM STATUS (ESTADO DE PROGRAMA) en la unidad del accionador y la lámpara superior se encienden y permanecen encendidas durante un minuto para indicar la activación del modo de aprendizaje.
2. Oprimir el botón para encender/apagar la luz en la estación de pared. La luz de estado de programa se enciende y apaga tres veces para indicar un aprendizaje exitoso.
3. Oprimir el botón para encender/apagar la luz en la estación de pared una vez más para confirmar su funcionamiento. La luz superior alternará de encendido a apagado y de apagado a encendido. A este punto se puede activar el accionador.



Transmisor



Estación de pared



Mantenimiento

Mantenimiento mensual:

1. Lubricar las bisagras y rodillos de la puerta del garaje.
2. Inspeccionar la puerta para determinar si hay sujetadores flojos, gastados, o cables de contrapeso raídos y la presencia de etiquetas o marbetes de seguridad legibles. Contratar a un especialista de mantenimiento para efectuar reparaciones. Contactar a asistencia al cliente para obtener reemplazos gratuitos de etiquetas / marbetes de seguridad.
3. Con la puerta completamente cerrada, tirar hacia abajo del desconector de emergencia para operar la puerta manualmente. Si la puerta da muestras de estar desequilibrada o se atasca, hacer que un especialista de mantenimiento efectúe los ajustes o reparaciones necesarios a la puerta.
4. Efectuar las pruebas de contacto / obstrucción. Véanse los pasos 21 y 22 para las instrucciones de la prueba de contacto / obstrucción. Si la puerta / accionador falla la prueba de contacto / obstrucción, restaurar los límites de cierre de la puerta según las instrucciones en el Paso 19, efectuar ajustes hasta que la puerta retroceda al entrar en contacto con un cuartón de 51 mm x 102 mm [2" x 4"] sobre una cara, en el piso del garaje. Si el accionador continúa fallando, hacer que un especialista de mantenimiento efectúe los ajustes / reparaciones; de lo contrario, esto podría dar lugar a lesiones graves o fatales.
5. El que la unidad puerta/accionador no responda al transmisor, estación multifunción de pared o acceso inalámbrico sin llave puede deberse a una pila débil o sin carga. Reemplazar la pila. Reemplazar la pila.

Dos veces al año:

Revisar la tensión de la cadena. Si la cadena descansa en la parte inferior del riel, ajustar la tensión mediante el giro de dos tuercas para ajuste de la cadena en el extremo de los rieles (opuesto al extremo del accionador) en sentido horario. Asegurarse de ajustar ambas tuercas cantidades iguales y hasta que la cadena esté aproximadamente a 12 mm (1/2") sobre la parte inferior de los rieles al medirse en el punto medio de los rieles.

Cambio de pilas para la estación de pared:

Desenganchar la presilla inferior de la cubierta de las pilas para retirar la cubierta de las pilas completamente (lado derecho de la estación). Instalar dos pilas AAA en la estación de pared prestando atención a la polaridad, (+) y (-) de ambas pilas. Después de unos cuantos segundos el diodo emisor de luz rojo comenzará a destellar cada tres segundos. Si se desea reducir la frecuencia de destello del diodo emisor de luz, consultar "Luz del diodo emisor de luz retroiluminado", en la sección Operación de la estación inalámbrica de pared, página 28. Para reinstalar la cubierta de las pilas, insertar primero la parte superior de la cubierta en la estación de pared; luego insertar y asegurar la parte inferior.

Nota: Utilizar sólo dos pilas AAA.

Nota: Disponer de la pila usada adecuadamente.

Reemplazo de pila del transmisor:

Insertar una moneda en la ranura para monedas del transmisor y torcer la moneda para acceder a la pila sin carga. Cambiarla, teniendo cuidado de hacer coincidir los símbolos positivos (+) en los circuitos impresos con el de la pila; cerrar la caja a presión.

Nota: Los transmisores utilizan una (1) pila CR2016 ó equivalente.

Nota: Disponer de la pila usada adecuadamente.

Cambio de pila para Acceso inalámbrico sin llave:

Para cambiar pilas, abrir la caja por apalancamiento con una moneda y retirar las pilas usadas. Cambiarlas teniendo cuidado de que los símbolos positivos (+) en los circuitos impresos coincidan con los de las pilas; cerrar la caja a presión.

Nota: Los accesos sin llave utilizan dos pilas CR2032 ó equivalentes.

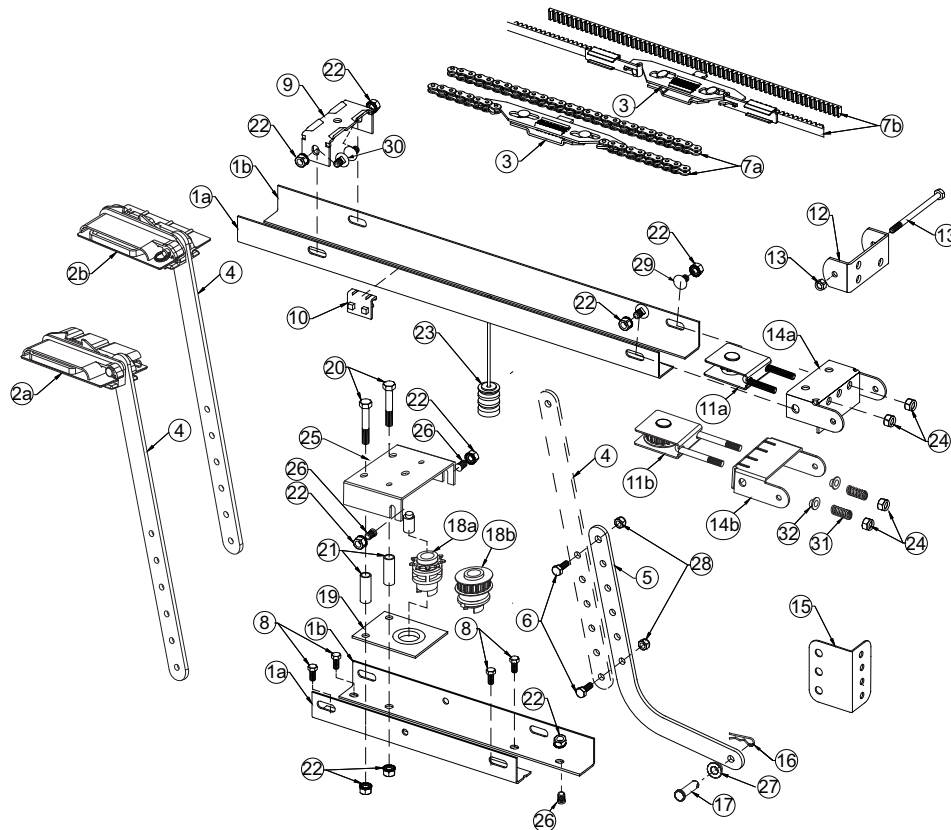
Nota: Disponer de la pila usada adecuadamente.



Diagnóstico y resolución de problemas

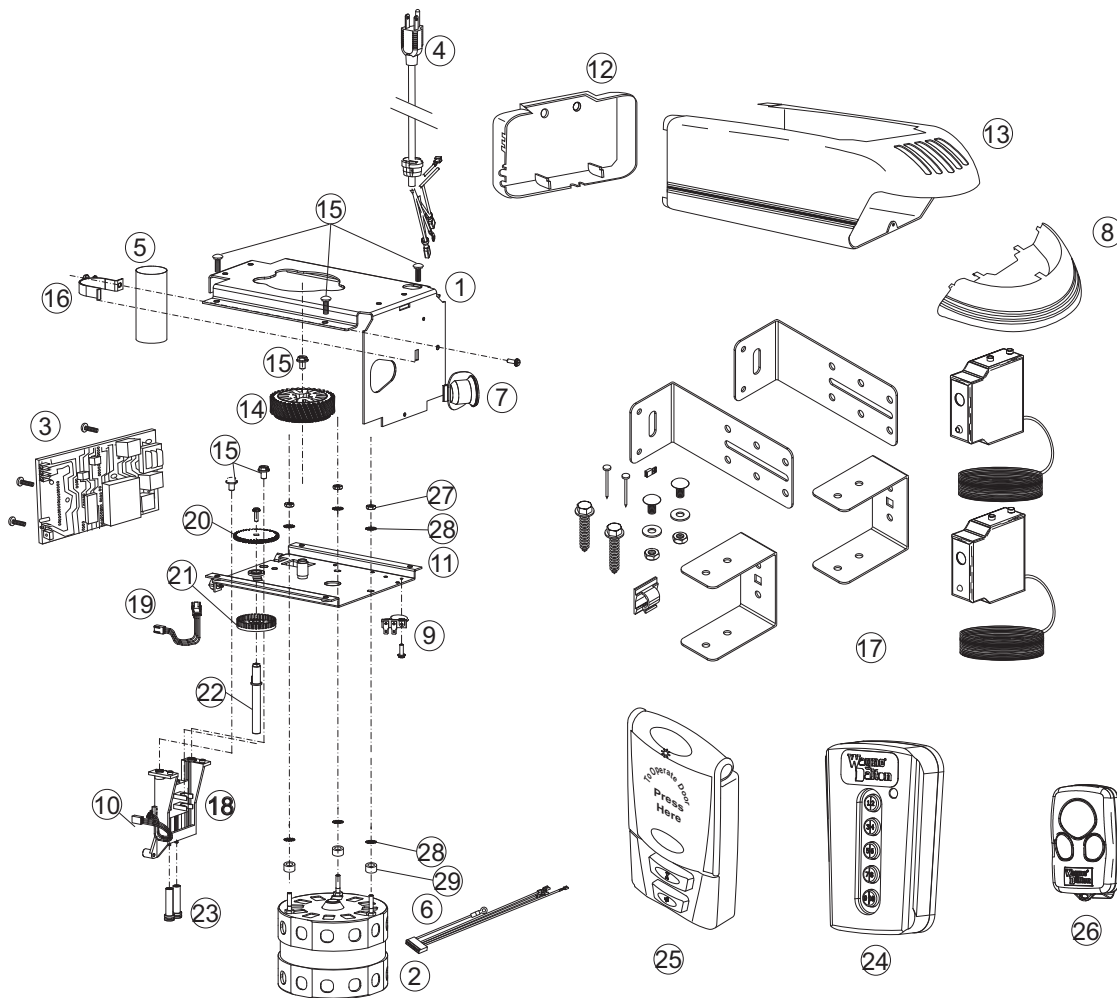
SÍNTOMA	CAUSA PROBABLE	ACCIÓN CORRECTIVA
El accionador no funciona con el botón de pared o radiocontrol.	El accionador no tiene energía eléctrica. Corto circuito en los conductores hacia el accionador o botón de pared. El protector del motor se dispara debido a uso excesivo.	Revisar cordón hacia tomacorriente, interruptor de pared y cortacircuitos. Aislar mediante desconexión de los conductores al accionador desde la estación de pared. Dejar que el motor enfrié durante 20 minutos e intentar nuevamente.
El accionador funciona con el botón de pared pero no con radiocontrol.	El sistema de radiocontrol no está funcionando.	Pila débil o sin carga en transmisor; reemplazarla. El transmisor no está programado para el accionador (véase la página 33). Si dos o más transmisores no funcionan, hacer que se pruebe el tablero de control del motor.
La puerta no abre y la luz del accionador centellea.	Algo está obstruyendo la trayectoria de la puerta. Fuerza de apertura insuficiente. Acumulación de hielo y nieve alrededor de la puerta.	Desconectar la puerta del accionador. Operar la puerta a mano para ubicar la obstrucción o llamar a un especialista de mantenimiento. Ajustar la fuerza de apertura. (Véase Ajuste nro. 1 en la página 32.) Palear y despejar al área de la puerta.
La puerta no abre completamente y la luz no centellea.	Límite de apertura no establecido correctamente.	Ajustar el recorrido de apertura con destornillador, girar en sentido antihorario hasta lograr el valor deseado. 1/4 de vuelta equivale a 2.5 cm (1") de recorrido (véase el Paso 20).
La puerta para y no cierra completamente.	Límite de cierre no establecido correctamente.	Ajustar el recorrido de cierre con destornillador, girar en sentido horario hasta lograr el valor deseado. 1/4 de vuelta equivale a 2.5 cm (1") de recorrido (véase el Paso 19).
La puerta cierra, luego regresa a la posición completamente abierta y la luz del accionador centillea.	Ajuste del brazo de la puerta. Ajuste del recorrido del cierre establecido fuera de la posición normal de la puerta. Obstrucciones en el piso.	Ajustar el brazo de la puerta (véanse los Pasos 17 y 18). Ajustar el recorrido de cierre con destornillador, girar en sentido antihorario hasta lograr el valor deseado. 1/4 de vuelta equivale a 2.5 cm (1") de recorrido (véase el Paso 19). Determinar por inspección si hay piedras o hielo bajo la puerta, en cuyo caso, retirarlas.
Al activar la puerta cuando ésta está en la posición completamente abierta, la puerta se mueve durante 1 segundo, para, vuelve a la posición completamente abierta y la luz comienza a centellear.	Sensores infrarrojos de seguridad desajustados o defectuosos. Obstrucciones en la abertura de la puerta.	Se debería revisar la alineación de los sensores infrarrojos de seguridad según las instrucciones. (Véase el Paso 16.) Determinar si algún objeto bloquea los sensores infrarrojos de seguridad.
La puerta retrocede antes de llegar a la posición completamente cerrada y la luz del accionador centillea.	Activación del sistema de detección de obstrucciones. Objetos sueltos o colgando de la puerta activan el sensor infrarrojo de seguridad. Fuerza de cierre insuficiente.	Determinar si hay atascamiento en la trayectoria de la puerta ("topes" de puerta, rieles de puerta, etc.). Retirar objetos. Ajustar la fuerza de cierre. (Véase Ajuste nro. 1 en la página 32.)
La puerta abre completamente y luego la luz centillea.	Límite de cierre demasiado alto; trole golpea el perno de tope.	Ajustar el recorrido de apertura con destornillador, girar en sentido horario hasta lograr el valor deseado. 1/4 de vuelta equivale a 2.5 cm (1") de recorrido (véase el Paso 20).

Desglose de piezas de conjunto de riel – Todos los modelos



nro.	Pieza nro.	Descripción	Nro. por unidad	nro.	Pieza nro.	Descripción	Nro. por unidad
1a.	325756	Riel derecho, 2.1 m (7')	1	12.	220959	Soporte de pared frontal	1
	325758	Riel derecho, 2.4 m (8')	1	13.	157559	Perno de cabeza hexagonal de 1/4" - 20 x 4" con contratuerca	1
	325760	Riel derecho, 3.0 m (10')	1	14a.	220958	Soporte frontal - Cadena	1
1b.	325753	Riel izquierdo, 2.1 m (7')	1	14b.	320696	Soporte frontal - Correa	1
	325757	Riel izquierdo, 2.4 m (8')	1	15.	220956	Soporte de puerta	1
	325759	Riel izquierdo, 3.0 m (10')	1	16.	326207	Chaveta hendida	1
2a.	324527	Conjunto de trole – Cadena	1	17.	326206	Pasador de horquilla de sujeción múltiple de 5/16" x 1-1/4"	1
2b.	320697	Conjunto de trole – Correa	1	18a.	325022	Acoplamiento de rueda dentada con casquillo - Cadena	1
3.	309960	Conjunto de pestillo para cadena	1	18b.	325687	Acoplamiento de rueda dentada con casquillo - Correa	1
4.	324273	Brazo de puerta (superior)	1	19.	252106	Conjunto base de rueda dentada	1
5.	324272	Brazo de puerta (inferior)	1	20.	251228	Pernos hexagonales de 5/16" - 18 x 2"	2
6.	308967	Perno común de 1/4" - 20 x 3/4"	2	21.	221014	Tubos espaciadores	2
7a.	325682	Cadena, 2.1 m (7')	1	22.	220999	Tuerca KEP de 5/16" - 18	Según sea necesario
	325683	Cadena, 2.4 m (8')	1	23.	157143	Perilla roja de desenganche	1
	325684	Cadena, 3.0 m (10')	1	24.	157665	Tuercas de ajuste	2
7b.	325685	Correa, 2.1 m (7')	1	25.	324270	Conjunto de tapa de rueda dentada	1
	325686	Correa, 2.4 m (8')	1	26.	157600	Perno autoremachante de 5/16" - 18 x 1/2"	3
	325572	Correa, 3.0 m (10')	1	27.	324200	Casquillo de nilón con reborde	1
8.	157510	Tornillo de montaje de 1/4" - 20 x 5/8" para cabezal de motor	4	28.	157561	Contratuercas	2
9.	220960	Soporte espaciador de riel	3 ó 4	29.	157602	Pernos de carruaje de 5/16" - 18 x 1/2"	Según sea necesario
10.	294674	Tope de riel con tornillo de fijación	1	30.	309907	Pernos de carruaje de cabeza plana de 5/16" - 18 x 1/2"	Según sea necesario
11a.	318113	Conjunto de polea-guía de cadena	1	31.	320693	Resortes de tensión - Correa	2
11b.	320704	Conjunto de polea-guía de correa	1	32.	324200	Casquillo de nilón con reborde - Correa	2

Desglose de piezas del conjunto del accionador y accesorios – Todos los modelos



nro.	Pieza nro.	Descripción	Nro. por unidad	nro.	Pieza nro.	Descripción	Nro. por unidad
1.	157167	Bastidor	1	16.	301675	Abrazadera de capacitor	1
2.	325017	Motor de 0.5 hp	1	17.	252118	Juego de sensor infrarrojo de seguridad cableado	1
3.	306131	Tablero de control del motor	1	18.	252092	Conjunto de límites	1
4.	306364	Cordón de suministro eléctrico	1	19.	249321	Interruptor de diodo emisor de luz	1
5.	260570	Capacitor de 0.5 hp	1	20.	260556	Engranaje matriz de límites	1
6.	306486	Cableado preformado	1	21.	157039	Disco de interruptor	1
7.	269028	Receptáculo de bombilla	1	22.	260557	Eje, impulsor de límites	1
8.	260552	Lente	1	23.	157055	Ajustador de límites	2
9.	252994	Supresor de sobretensiones transitorias MOV	1	24.	306134	Acceso inalámbrico sin llave de 5 botones	1
10.	252993	Interruptor de límites	1	25.	311365	Estación multifunción inalámbrica de pared	1
11.	325567	Sub-bastidor	1	26.	312962	Minitransmisor de 3 botones	1 ó 2
12.	325067	Tapa de extremo (negra)	1	27.	157666	Tuerca hexagonal #10-32	3
13.	325066	Carcasa (negra)	1	29.	157496	Espaciador de nilón para motor	3
14.	325020	Impulsión de transmisión	1				
15.	251248	Tornillo de 1/4" - 20 x 3/8"	7				

Por favor, no devolver este producto al concesionario. ¡Llámenos directamente! Nuestros técnicos capacitados responderán cualquier pregunta y/o enviarán cualquier pieza necesaria. Se nos puede contactar al número telefónico gratuito 1-888-827-3667 para Asistencia al Consumidor, o bien, en conexión a red a www.wayne-dalton.com

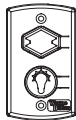
Accesorios del Prodrive®

Minitransmisor de tres botones para visera



Controla hasta 6 puertas o accesorios inalámbricos. Incluye abrazadera para visera.

Estación de lujo para pared, cableada



Permite el control independiente arriba / abajo de la puerta y encendido / apagado de la luz superior.

Estación inalámbrica multifunción de operación a radiofrecuencia, para instalación en pared

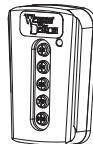


Unidad completamente inalámbrica con control independiente para abrir y cerrar la puerta, control independiente para encender y apagar la luz, apertura automática para mascotas, temporizador de cierre demorado para salir y botón de programación.

Acceso inalámbrico sin llave

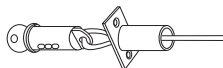


Teclado numérico de 10 dígitos que permite la operación del accionador de la puerta del garaje desde el exterior mediante la introducción de un código personal programable en un teclado numérico. Se lo puede programar para cientos de puertas.



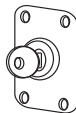
Teclado numérico de 5 dígitos que permite la operación del accionador de la puerta del garaje desde el exterior mediante la introducción de un código personal programable en un teclado numérico. Se lo puede programar para cientos de puertas.

Cable desconector exterior con llave



Recomendado para todo garaje tipo bóveda, sin puerta de acceso.

Interruptor de llave exterior



Utilizado para abrir la puerta automáticamente desde afuera del garaje cuandoquiera que el control remoto no esté disponible. Enviado con 2 llaves.

Carrete de alambre conductor



80 pies, calibre 22, 2 conductores polarizados. Homologado por UL (CL-2, 75° C).

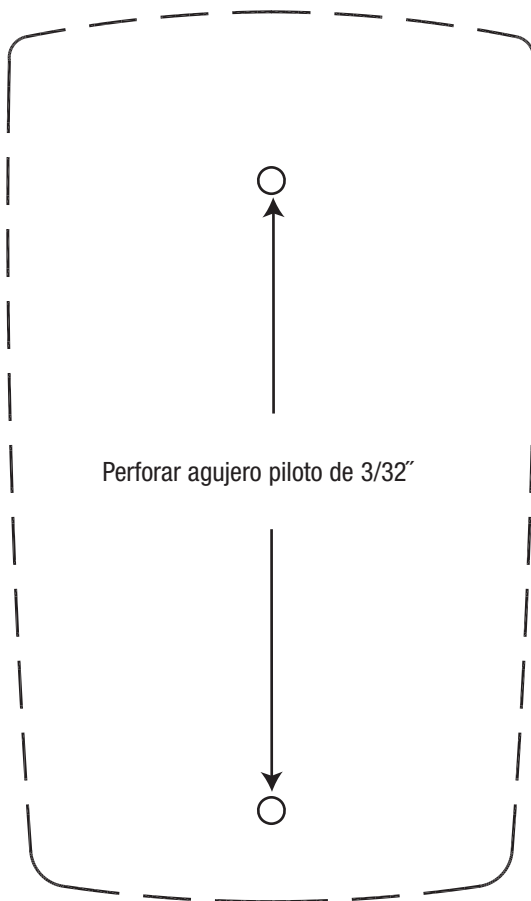
Sensores infrarrojos de seguridad cableados



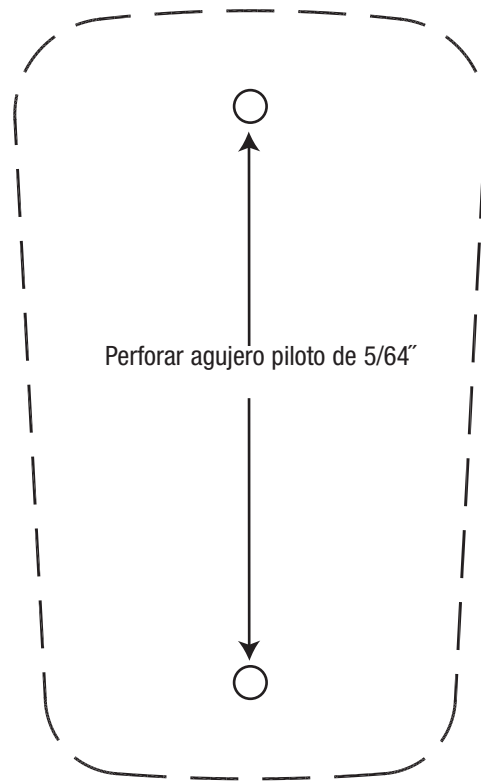
Los sensores de inversión se comunican con el accionador de la puerta mediante conexiones directas cableadas para detectar obstrucciones en la trayectoria de la puerta y reaccionan mediante el retroceso de la puerta.



Plantilla recortable para ayudar en la instalación



Plantilla para la estación multifunción de pared



Plantilla de acceso sin llave de 5 botones

Por favor, no devolver este producto al concesionario

¡Llámenos directamente! Nuestros técnicos capacitados responderán cualquier pregunta y/o enviarán cualquier pieza necesaria.

**Llámenos gratuitamente:
(888) 827-3667**

Gracias por su compra

www.wayne-dalton.com



GARANTÍA LIMITADA DE POR VIDA

El Fabricante garantiza que los componentes electrónicos y mecánicos (excluyendo el motor) del Accionador Prodrive® para puertas de garaje estarán libres de defectos en materiales y mano de obra durante un período de **UN AÑO** (Modelos 3220C, 3221C, 3222C, 3320B, 3322B, 3220C-Z, 3221C-Z, 3222C-Z, 3320B-Z, 3322B-Z) y de **CINCO AÑOS** (Modelos 3224C, 3324B, 3224C-Z, 3324B-Z) a partir de la fecha de instalación, siempre y cuando se lo instale correctamente y reciba mantenimiento y servicio bajo el régimen de uso y servicio especificado.

El motor está garantizado durante **CINCO AÑOS** (Modelos 3220C, 3221C, 3320B, 3220C-Z, 3221C-Z, 3320B-Z) y de **POR VIDA** (Modelos 3222C, 3224C, 3322B, 3324B, 3222C-Z, 3224C-Z, 3322B-Z, 3324B-Z) contra defectos en materiales y mano de obra. Las pilas no están garantizadas.

La presente Garantía limitada se extiende al propietario de vivienda original, siempre que el Accionador Prodrive® para puertas de garaje esté instalado en su lugar de residencia primaria. Esta Garantía limitada no es transferible. La Garantía limitada es pertinente a propiedad residencial únicamente.

NINGÚN EMPLEADO, DISTRIBUIDOR O REPRESENTANTE ESTÁ AUTORIZADO PARA CAMBIAR LA GARANTÍA LIMITADA QUE ANTECEDE DE NINGUNA MANERA NI CONCEDER NINGUNA OTRA GARANTÍA EN NOMBRE DEL FABRICANTE.

El Fabricante no será responsable por daño alguno a sus productos o causados por sus productos debido a instalación, almacenamiento inadecuado, servicio no autorizado, alteración de productos, descuido o abuso, cualesquier actos de fuerza mayor fuera del control del Fabricante (tales como, pero no limitados a, rayos, sobretensiones eléctricas, daños por agua, etc.), o al intento de utilizar los productos para un uso distinto a su uso normal previsto o para su propósito específico. La Garantía limitada anterior no cubre desgaste normal ni ningún daño fuera del control del Fabricante. Esta Garantía limitada no cubre el costo de la mano de obra para reemplazos.

ESTA GARANTÍA LIMITADA AMPARA UN PRODUCTO PARA CONSUMIDORES TAL COMO SE LO DEFINE EN "THE MAGNUSON-MOSS WARRANTY ACT" (LEY DE MAGNUSON-MOSS). NINGUNA GARANTÍA, EXPRESA O IMPLÍCITA (INCLUYENDO PERO NO LIMITADA A, LA GARANTÍA DE COMERCIABILIDAD O IDONEIDAD PARA UN PROPÓSITO PARTICULAR) SE EXTENDERÁ MÁS ALLÁ DEL PERÍODO DE TIEMPO CONSIGNADO EN LETRA NEGRITA SUBRAYADA EN ESTA GARANTÍA, ARRIBA.

Las reclamaciones por defectos en materiales y mano de obra cubiertas por esta Garantía limitada serán hechas por escrito, dentro del período de garantía, al concesionario de quien se compró el producto. El Fabricante podrá enviar un representante de mantenimiento, o bien, podría requerir que el producto sea devuelto al Fabricante, por cuenta del comprador, para inspección. Si a juicio del Fabricante, el producto tiene defectos en materiales o mano de obra, éste será reemplazado o reparado a opción del Fabricante, sin costo alguno, a excepción del transporte autorizado y la mano de obra de reemplazo. La unidad de reemplazo podría ser un modelo equivalente que ha sido reconstruido en la fábrica. El resto del período original de la Garantía limitada se aplicará a la unidad reparada o reemplazada.

LOS RECURSOS PARA EL COMPRADOR AQUÍ DESCRITOS SON EXCLUSIVOS Y PREVALECEN SOBRE CUALQUIER OTRO RECURSO, LA RESPONSABILIDAD DEL FABRICANTE, SEA EN CONTACTO, AGRAVIO, BAJO CUALQUIER GARANTÍA O DE CUALQUIER OTRA MANERA, NO SE EXTENDERÁ MÁS ALLÁ DE SU OBLIGACIÓN DE REPARAR O REEMPLAZAR, A SU DISCRECIÓN, CUALQUIER PRODUCTO O PIEZA DETERMINADA, POR EL FABRICANTE, DEFECTUOSA CON RESPECTO A MATERIALES O MANO DE OBRA. EL FABRICANTE NO ASUME RESPONSABILIDAD ALGUNA POR EL COSTO DE RETIRO O INSTALACIÓN NI SERÁ RESPONSABLE POR NINGÚN DAÑO DIRECTO, INDIRECTO, ESPECIAL O EMERGENTE DE NINGUNA NATURALEZA.

Esta Garantía limitada brinda al comprador original del producto derechos legales específicos; el comprador original también podría tener otros derechos, los cuales varían de un estado a otro. Sin embargo, algunos Estados no permiten limitaciones en la duración de las garantías implícitas o la exclusión o limitación de daños incidentales o emergentes, por lo cual las limitaciones o exclusiones que anteceden podrían ser no pertinentes en algunos casos.

Información sobre patentes

Modelos: 3220C, 3221C, 3222C, 3224C, 3320B, 3322B, 3324B, 3220C-Z, 3221C-Z, 3222C-Z, 3224C-Z, 3320B-Z, 3322B-Z, 3324B-Z

Fabricado al amparo de las patentes estadounidenses y métodos siguientes: D413,579; D505,393; 6,326,754; 6,897,630; 6,903,650; 7,109,677; 7,116,072; 7,183,732; 7,190,266; 7,193,502; 7,211,975; 7,280,031; 7,327,107; 7,327,108; 7,327,249; 7,375,484; 7,375,612; 7,376,401. Otras patentes estadounidenses y extranjeras pendientes.

Declaración de la FCC e IC

Información normativa de la FCC:

Este dispositivo respeta el título 15 de la normativa de la FCC. Su funcionamiento está sujeto a dos condiciones: (1) el dispositivo no debe provocar interferencias nocivas y (2) el dispositivo debe aceptar toda interferencia recibida, incluidas aquellas que podrían ocasionar un funcionamiento no deseado.

Información normativa de IC:

Este aparato digital Clase B satisface todos los requisitos del Canadian Interference Causing Equipment Regulations (Normativa canadiense de equipo que provoca interferencia). El funcionamiento está sujeto a las dos condiciones siguientes: (1) este dispositivo no puede provocar interferencias nocivas, y (2) este dispositivo ha de aceptar toda interferencia recibida, incluidas aquellas que podrían causar un funcionamiento no deseado.

NOTA: Este equipo ha sido sometido a pruebas y se ha determinado que cumple los límites para un dispositivo digital Clase B, de conformidad con el título 15 de la normativa de la FCC. Estos límites están previstos para brindar protección razonable contra interferencias nocivas en una instalación residencial. Este equipo genera, utiliza y puede radiar energía de radiofrecuencias y, si no se lo instala y utiliza de conformidad con las instrucciones, podría provocar interferencia nociva a radiocomunicaciones. Sin embargo, no hay garantía de que la interferencia no ocurra en una instalación particular. Si este equipo en efecto provoca interferencia nociva a la recepción de radio o televisión, lo cual se puede determinar al apagar y encender el equipo, se exhorta al usuario a intentar corregir la interferencia mediante una o más de las medidas siguientes: reorientar o reubicar la antena de recepción. Aumentar la separación entre el equipo y el receptor. Conectar el equipo a un tomacorriente en un circuito diferente al cual el receptor está conectado. Consultar al concesionario o a un técnico de radio y/o televisión experimentado para solicitar ayuda.

ADVERTENCIA: Cambios o modificaciones a esta unidad no expresamente aprobados por la parte responsable por el cumplimiento podrían anular la autoridad del usuario para operar este equipo.

Free Manuals Download Website

<http://myh66.com>

<http://usermanuals.us>

<http://www.somanuals.com>

<http://www.4manuals.cc>

<http://www.manual-lib.com>

<http://www.404manual.com>

<http://www.luxmanual.com>

<http://aubethermostatmanual.com>

Golf course search by state

<http://golfingnear.com>

Email search by domain

<http://emailbydomain.com>

Auto manuals search

<http://auto.somanuals.com>

TV manuals search

<http://tv.somanuals.com>