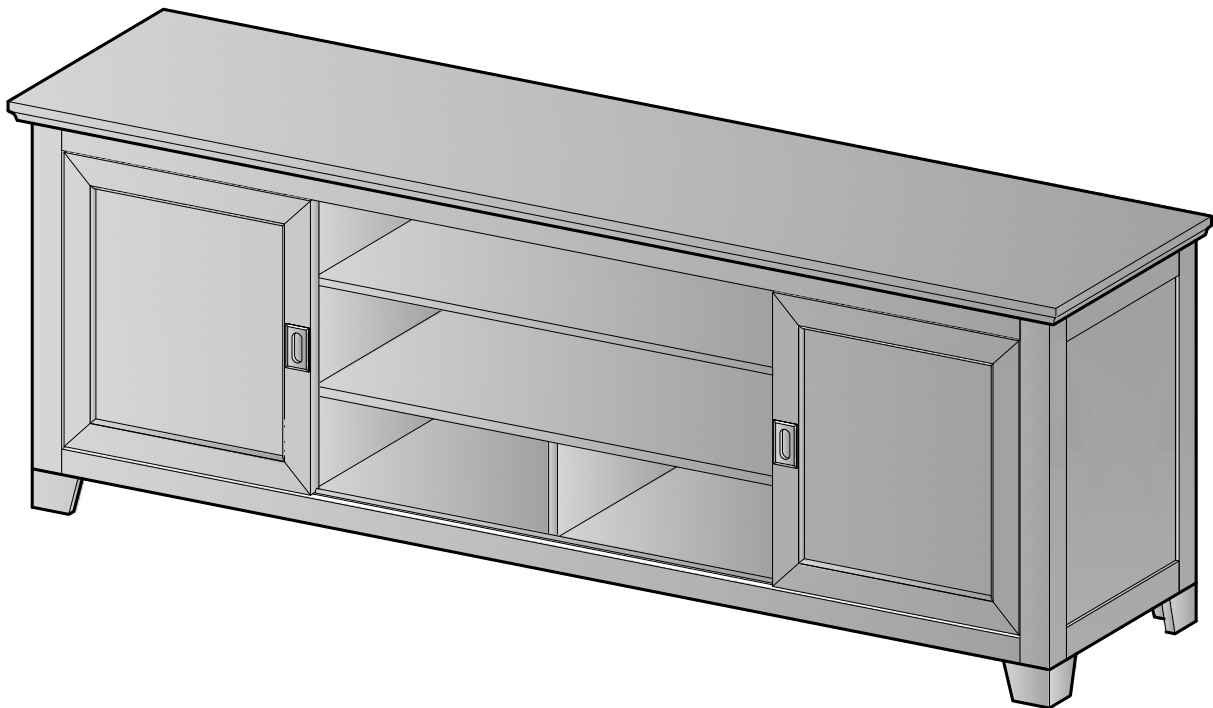


**W** Walker  
**E** Edison  
furniture company

Item # : W70C25SDES  
Assembly Instructions

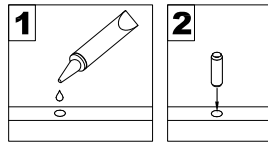


*For our most current instructions, to request missing, lost, or broken parts, or for any other Customer Service issues, please visit our website at [www.walkeredison.com](http://www.walkeredison.com) or call us at 877-207-5906.*

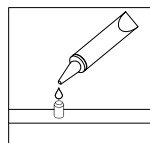
Revised 10/2012

# General Assembly Guidelines

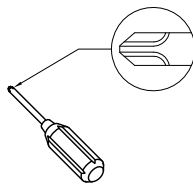
- I. Ensure that all parts and hardware are available before beginning assembly.
- II. Follow each step carefully to ensure the proper assembly of this product.
- III. Two people are recommended for ease in the assembly of this product.
- IV. The three main types of hardware used to assemble this product are : wood dowels , screws and bolts.
- V. The provided glue is to secure wood dowels in place . When first inserting dowels , locate the appropriate hole for the dowel , place a small amount of glue in the hole and insert the dowel . Wipe away excess glue immediately.



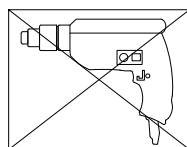
In future assembly steps when dowels are necessary to attach assembly parts together , place a small amount of glue on the end of the dowel before attaching parts together . Wipe away excess glue immediately.



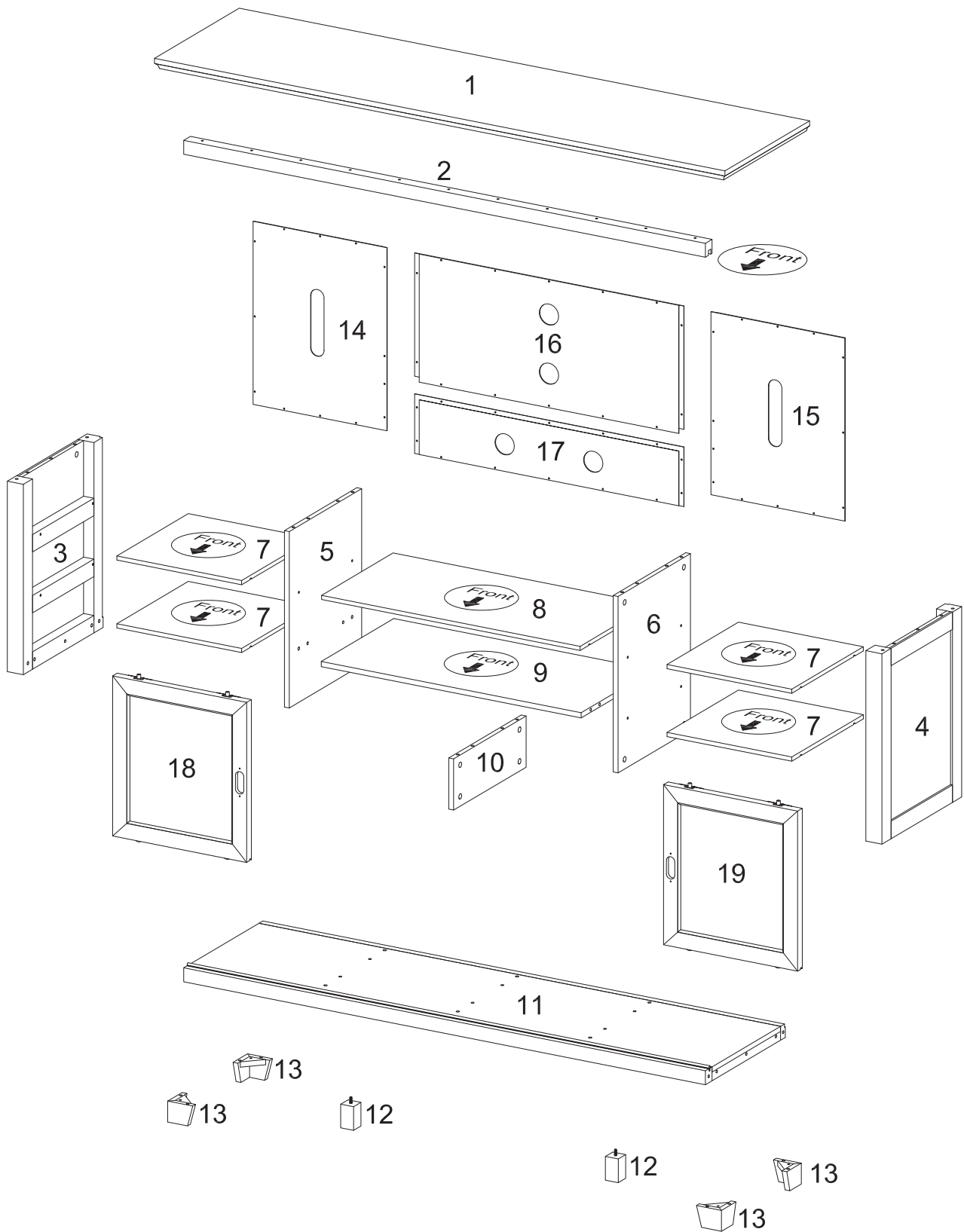
- VI. A Phillips head screwdriver is required for the assembly of this product .





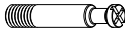

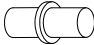
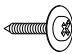








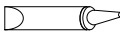
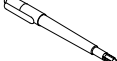
- VII. Power tools should not be used to assemble this product .



# Parts List

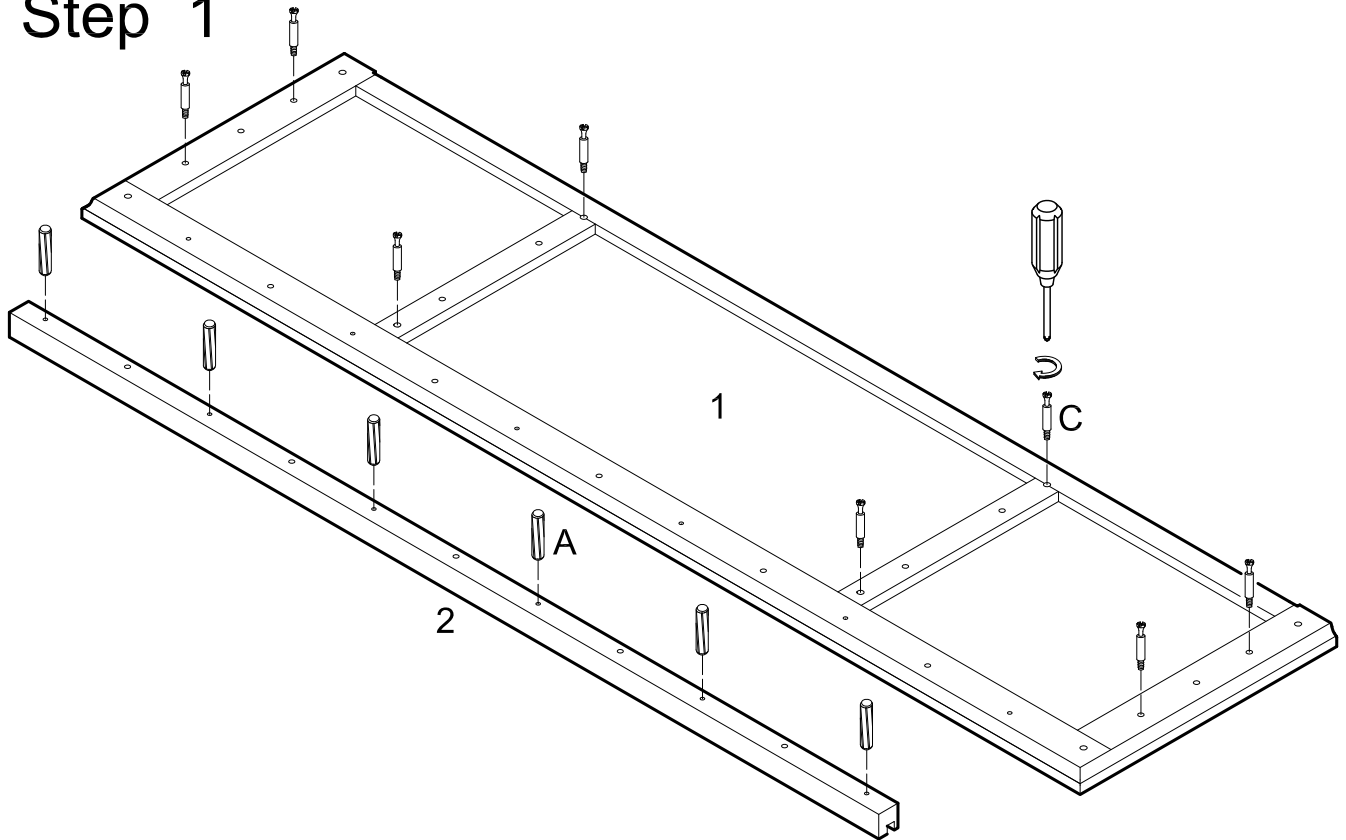


# Hardware List

A		M8*30(mm)	Wooden dowel	34 pcs
B		M6*30(mm)	Wooden dowel	4 pcs
C			Cam bolt	28 pcs
D			Cam lock	28 pcs
E			Shelf support pin	20 pcs
F		M3.5*12(mm)	Screw	41 pcs
G		M4*18(mm)	Handle Screw	4 pcs
H		M4*50(mm)	Screw	5 pcs
J		M6*35(mm)	Bolt	4 pcs
K			Spring washer	4 pcs
L			Washer	4 pcs
M			Handle	2 pcs
N			Handle back plate	2 pcs
P			Sticker	16 pcs
Q			Glue tube	2 pcs
R			Touch-up marker	1 pc

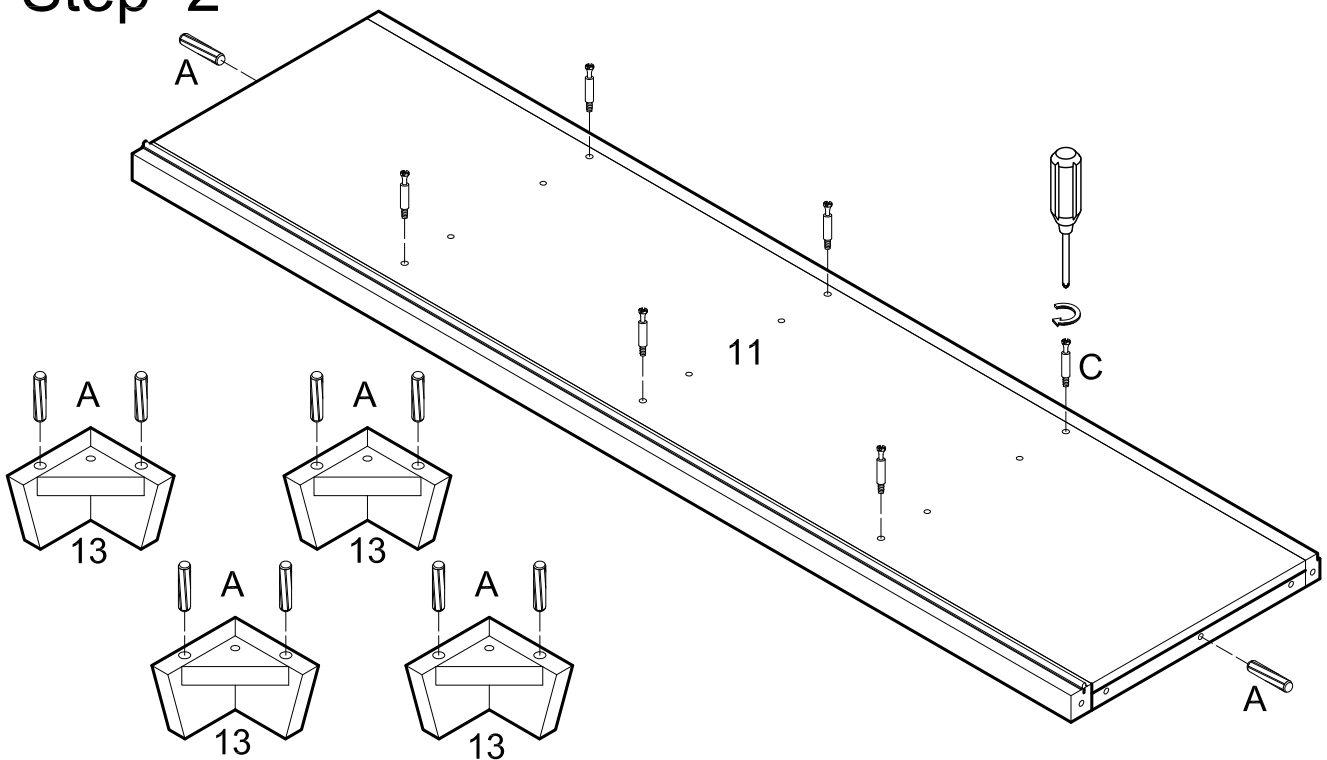
*The hardware quantities listed above are required for proper assembly.  
Some extra hardware may also have been included.*

# Step 1



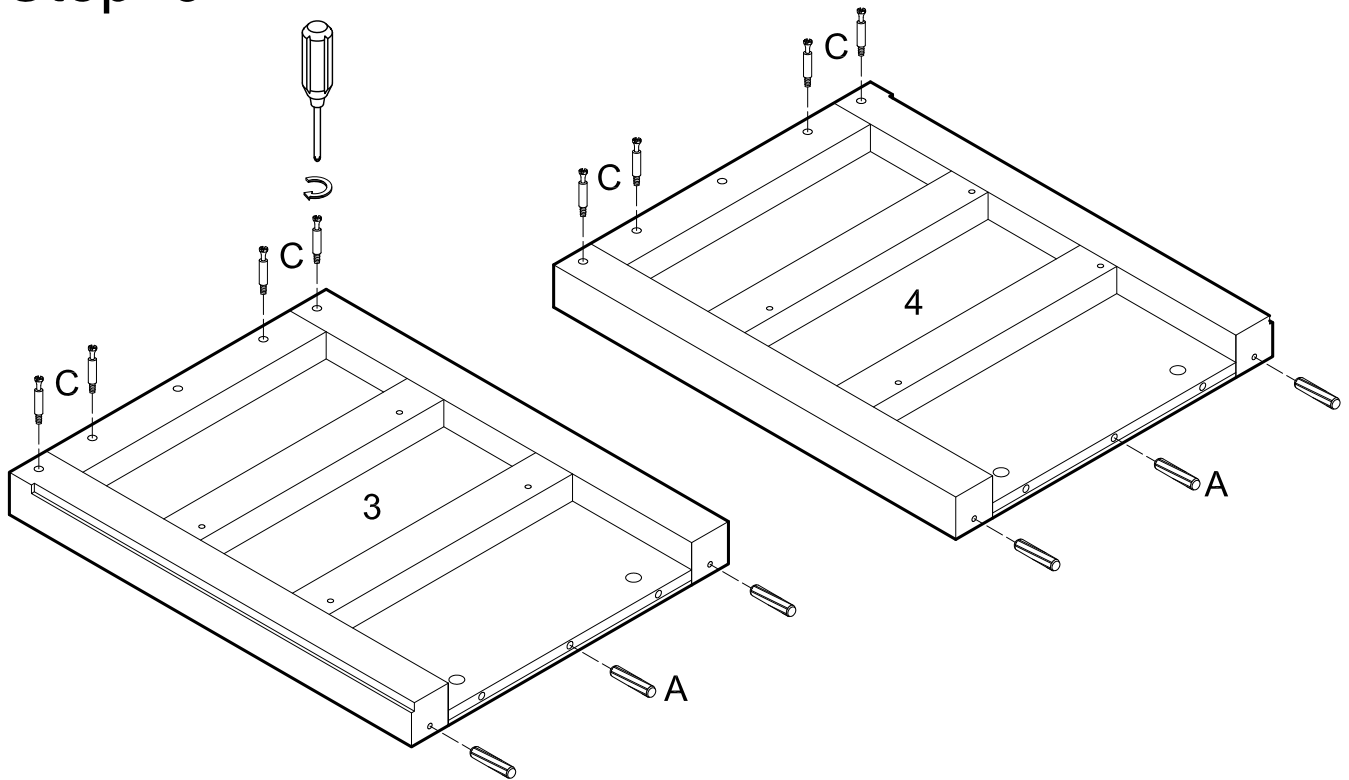
Inset dowels (A) into slat (2). Screw cam bolts (C) into top panel (1).

# Step 2



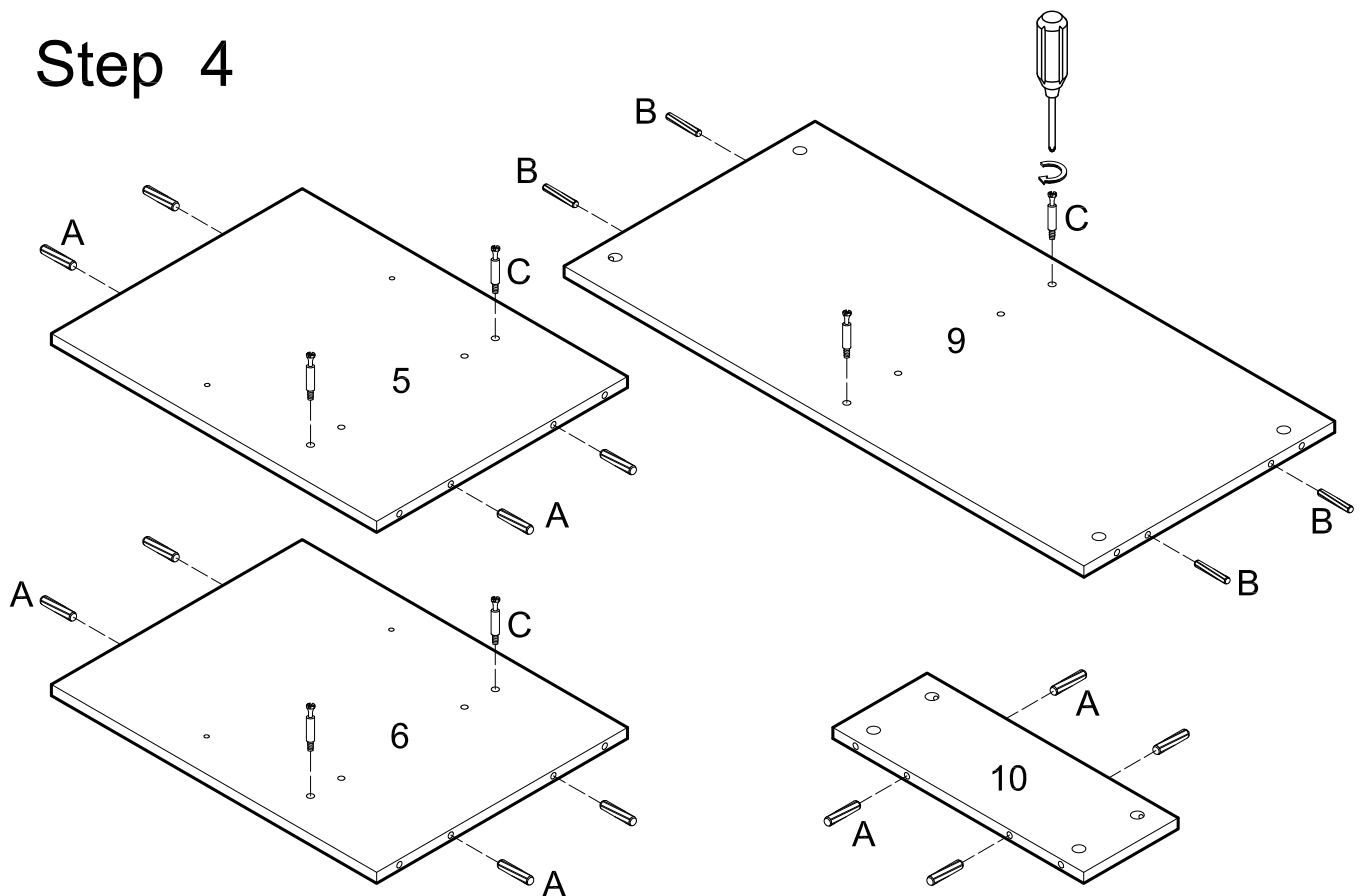
Insert dowels (A) and screw cam bolts (C) into bottom panel (11). Insert dowels (A) into legs (13).

## Step 3



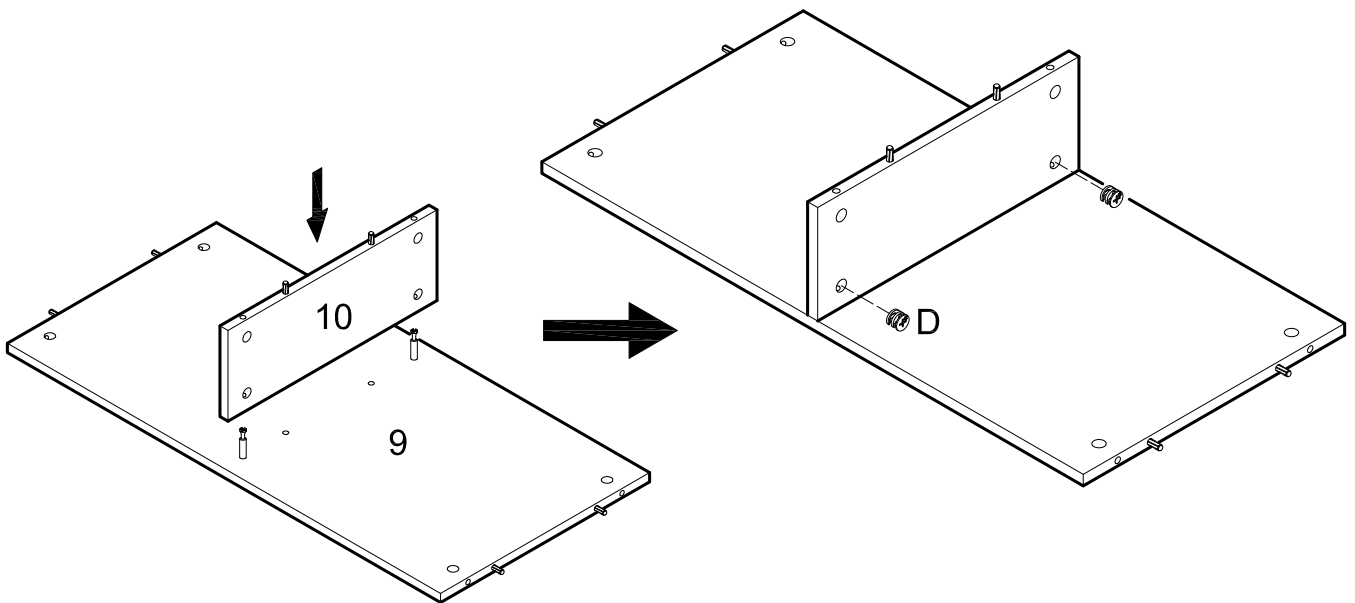
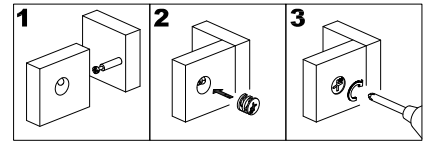
Insert dowels (A) and screw cam bolts (C) into panels (3,4).

## Step 4



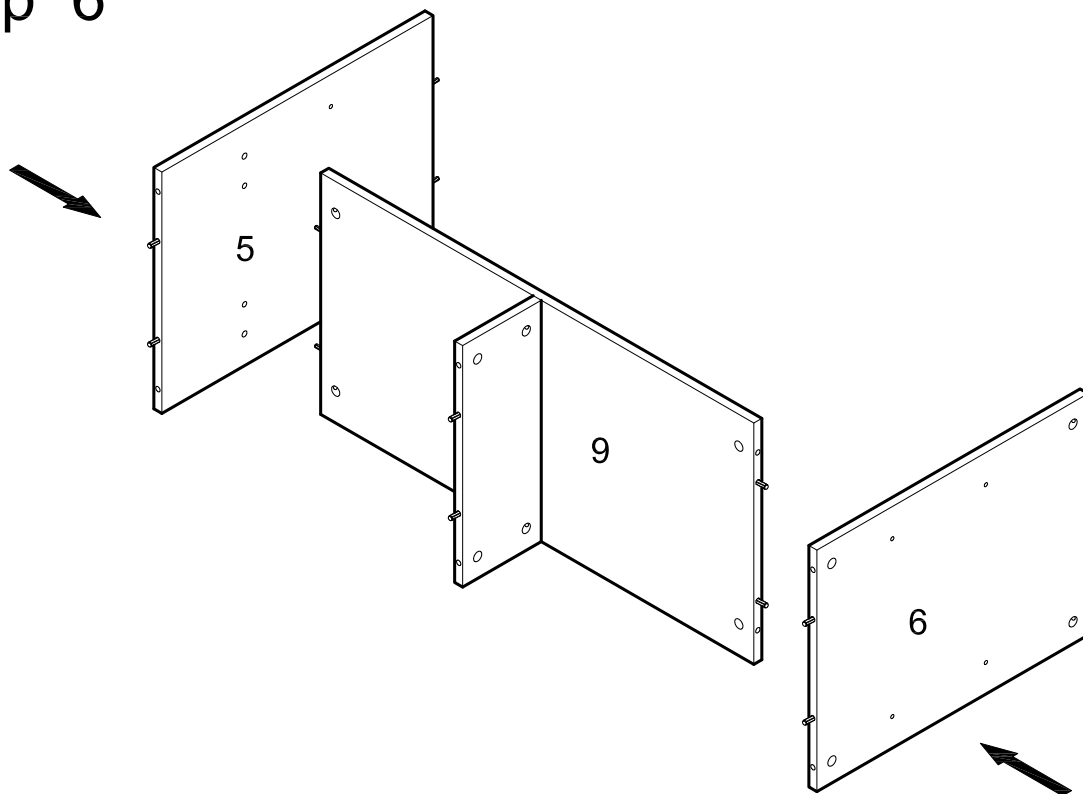
Insert dowels (B) into panel (9). Insert dowels (A) into panels (5,6,10). Screw cam bolts (C) into panels (5,6,9,10).

## Step 5



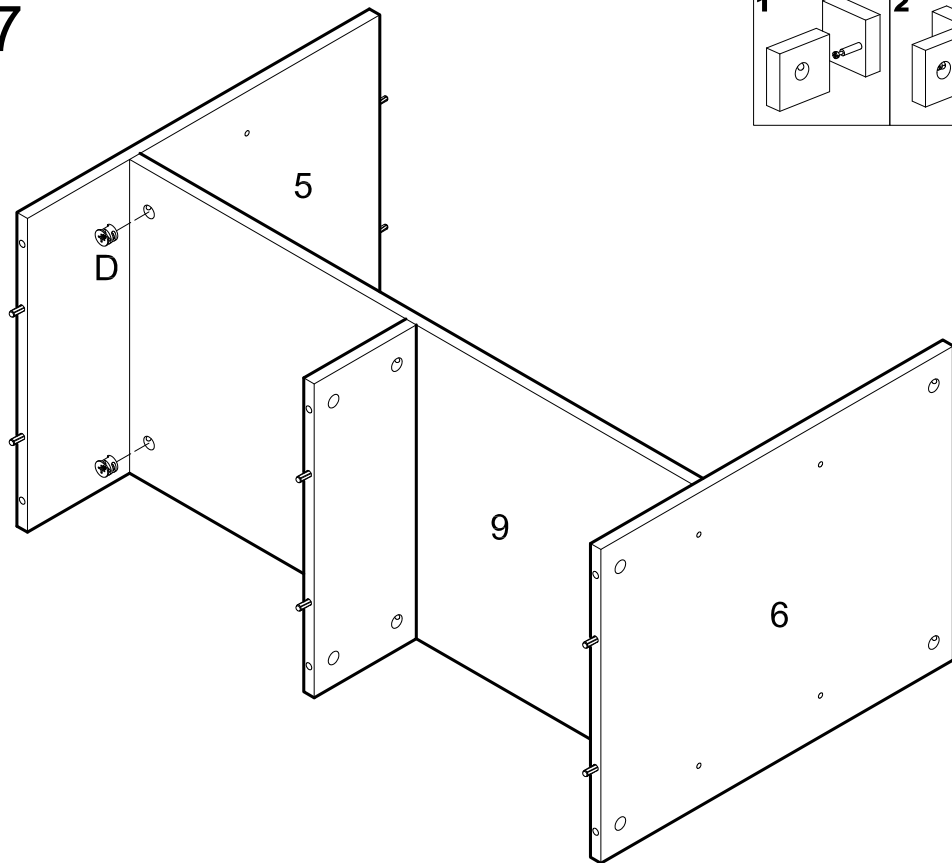
Attach panel (10) to panel (9) using cam bolts and dowels as guides. Secure panel (10) to panel (9) using cam locks (D). Tighten cam locks (D) with a screwdriver.

## Step 6



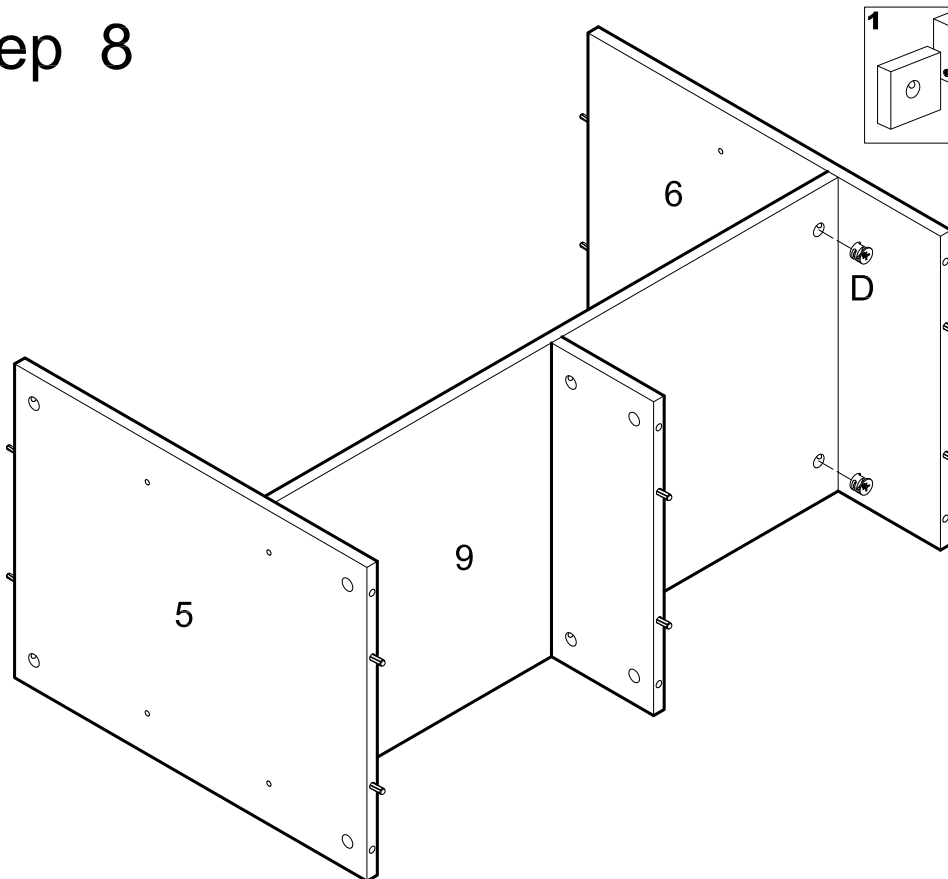
Attach panels (5,6) to panel (9) using cam bolts and dowels as guides.

## Step 7



Secure panel (5) to panel (9) using cam locks (D). Tighten cam locks (D) with a screwdriver.

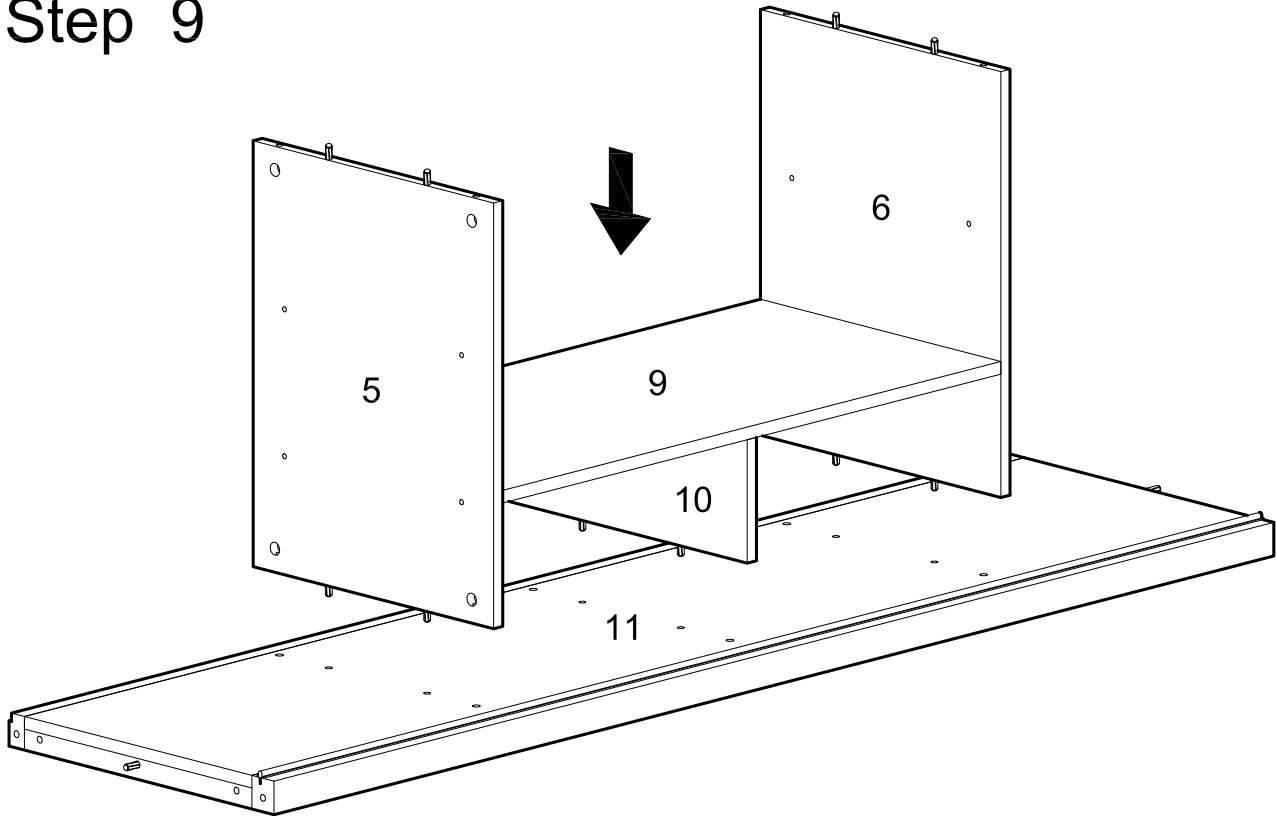
## Step 8



Secure panel (6) to panel (9) using cam locks (D). Tighten cam locks (D) with a screwdriver.

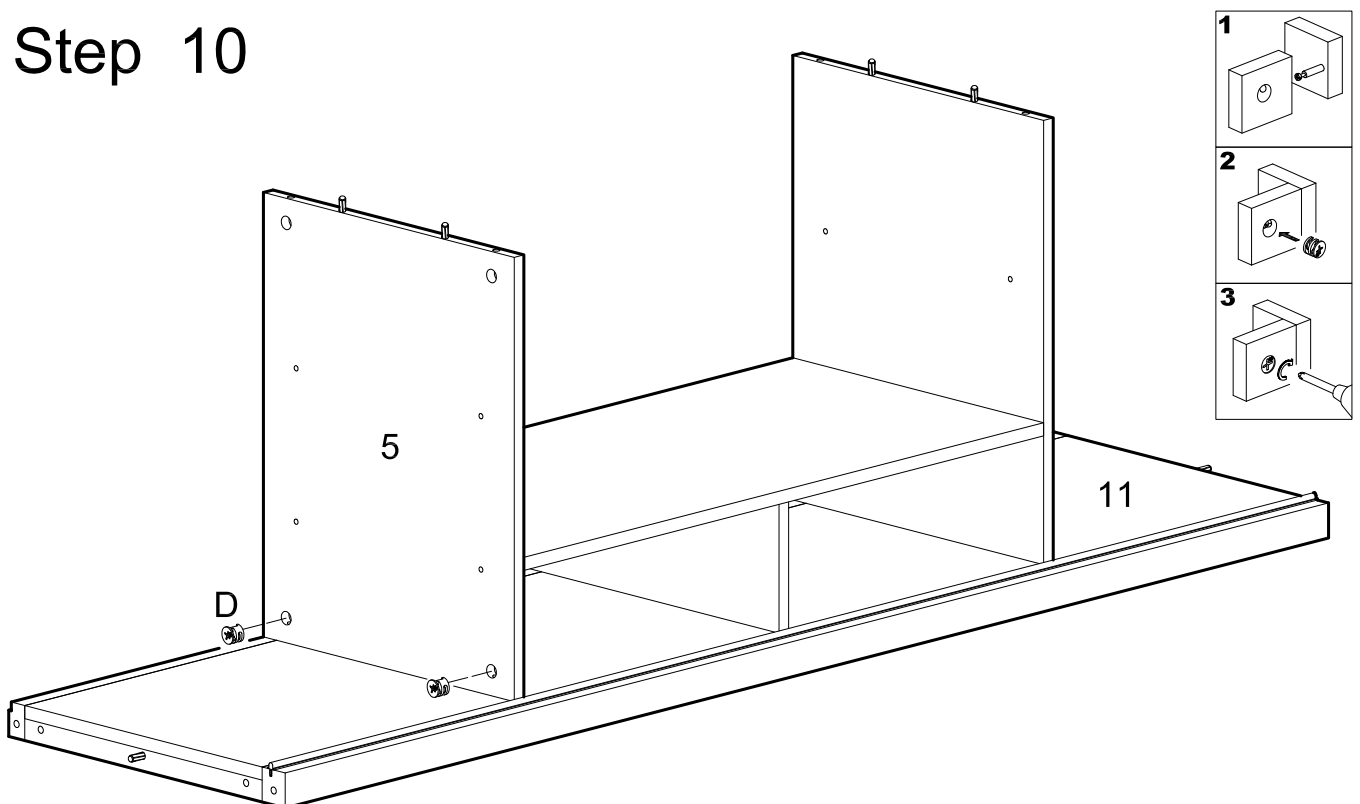


## Step 9



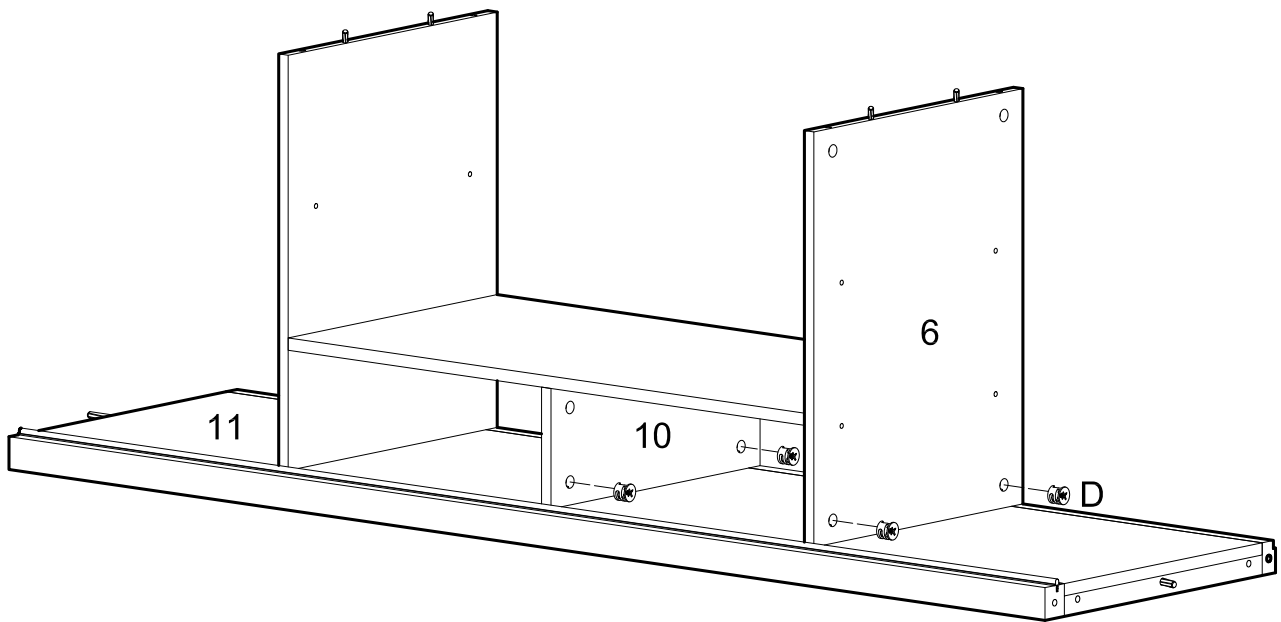
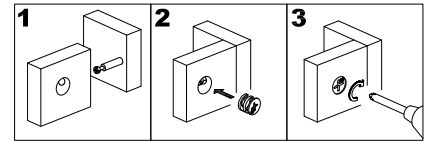
Attach the assembly from the previous step to bottom panel (11) using cam bolts and dowels as guides.

## Step 10



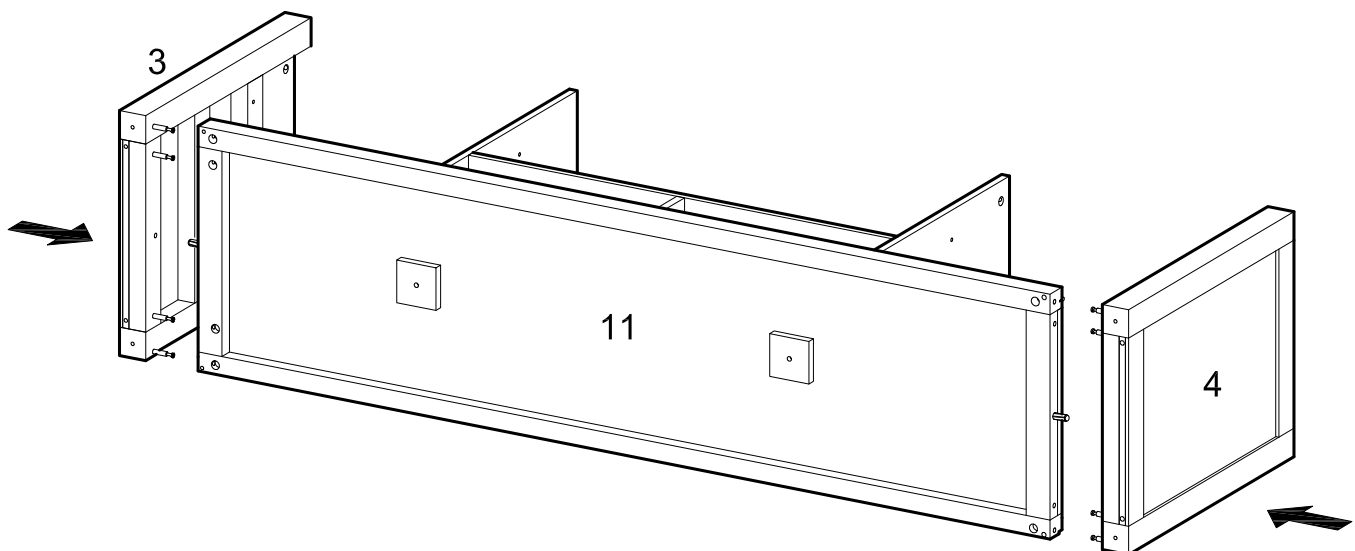
Secure panel (5) to bottom panel (11) using cam locks (D). Tighten cam locks (D) with a screwdriver.

## Step 11



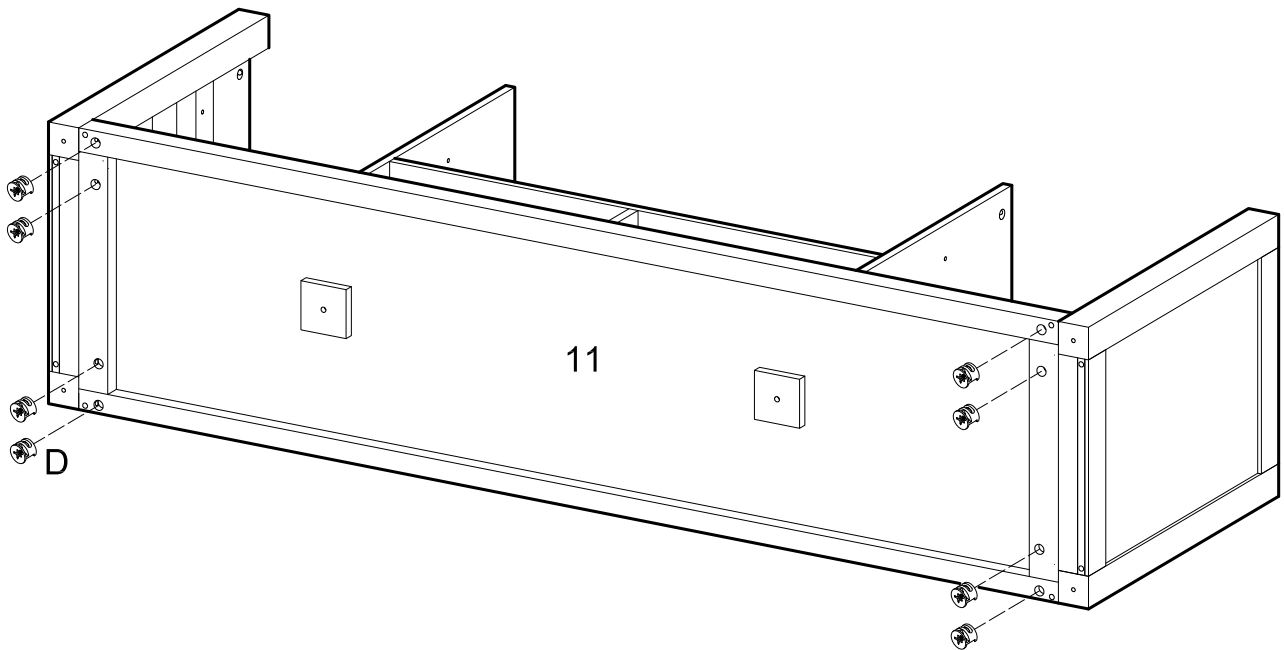
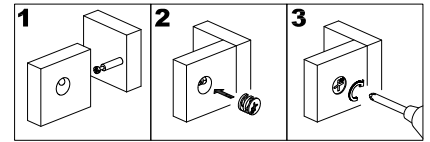
Secure panels (6,10) to bottom panel (11) using cam locks (D). Tighten cam locks (D) with a screwdriver.

## Step 12



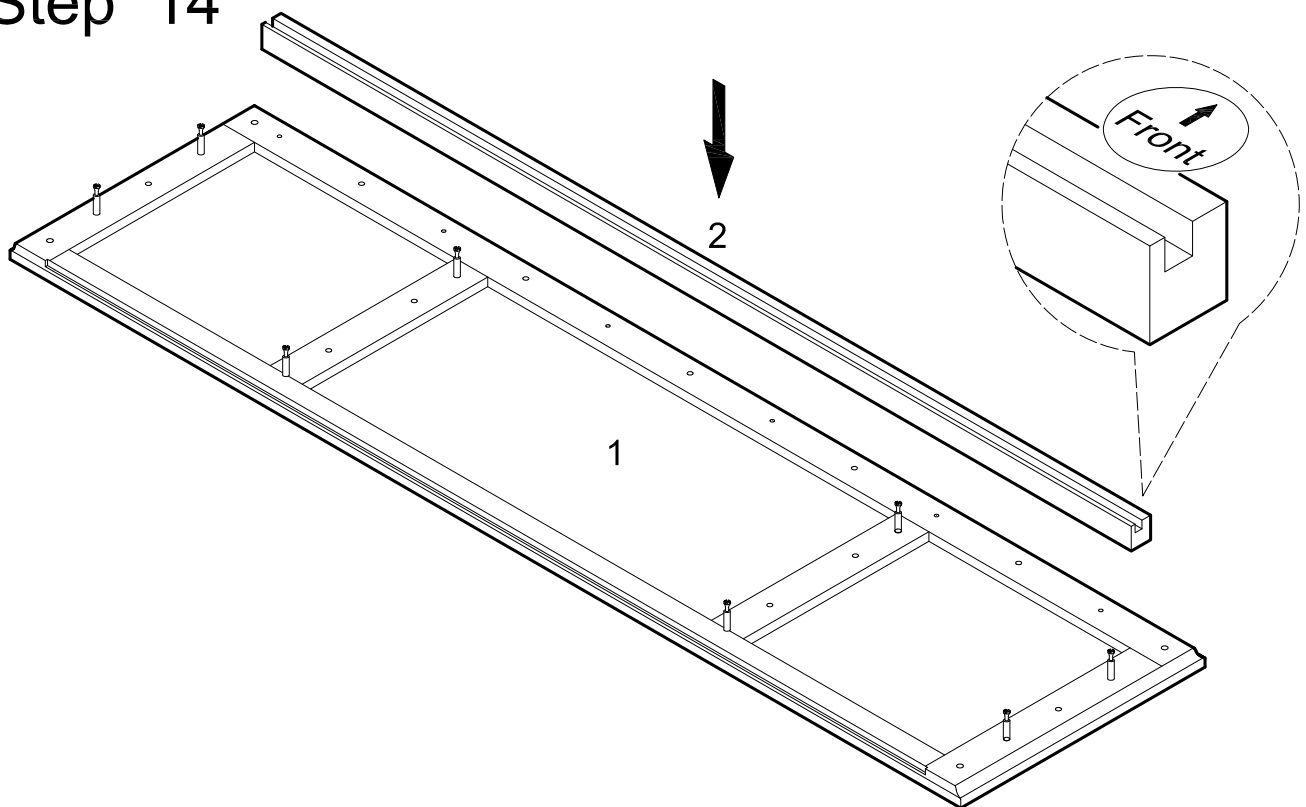
Attach panels (3,4) to bottom panel (11) using cam bolts and dowels as guides.

## Step 13



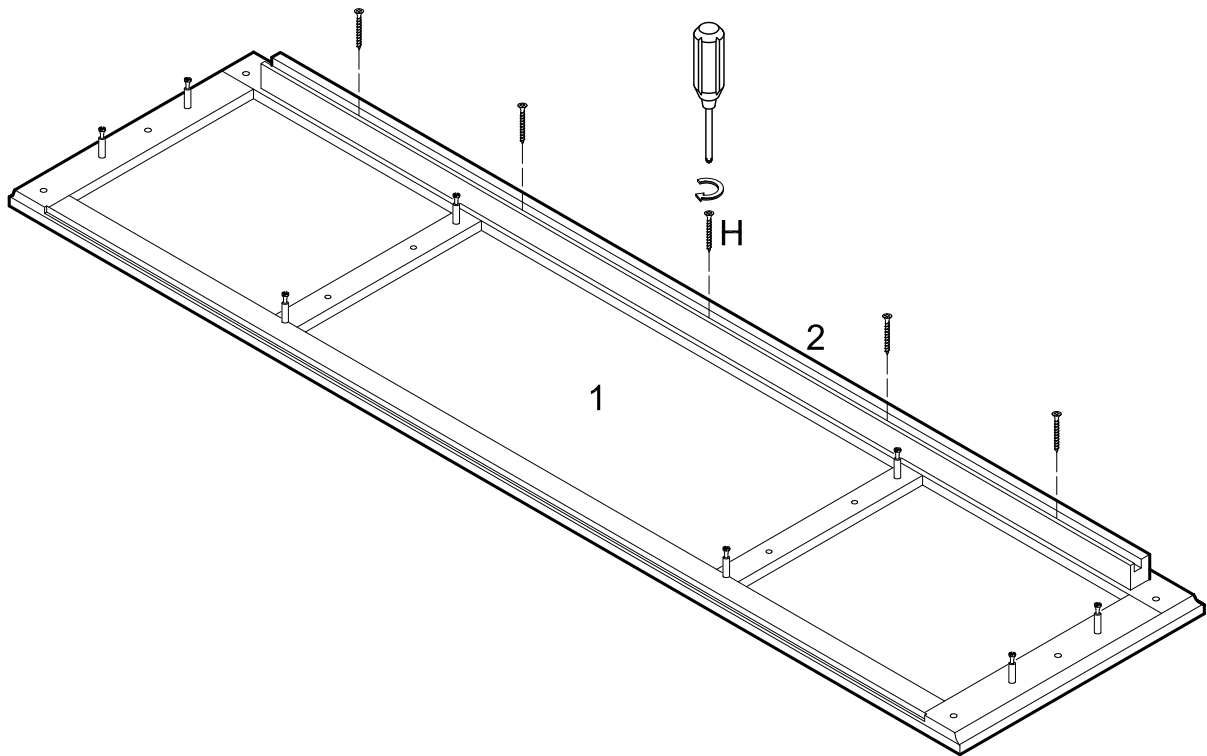
Secure panels (3,4) to bottom panel (11) using cam locks (D). Tighten cam locks (D) with a screwdriver.

## Step 14



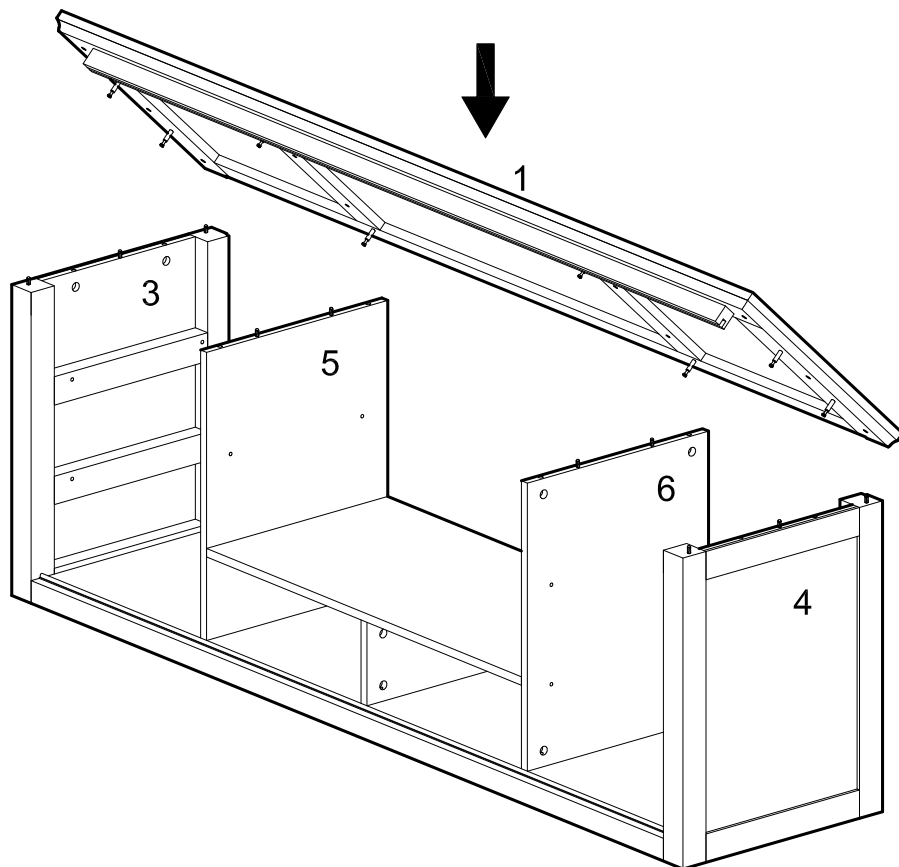
Attach slat (2) to top panel (1) using dowels as guides. Note the direction of slat (2) as shown above.

## Step 15



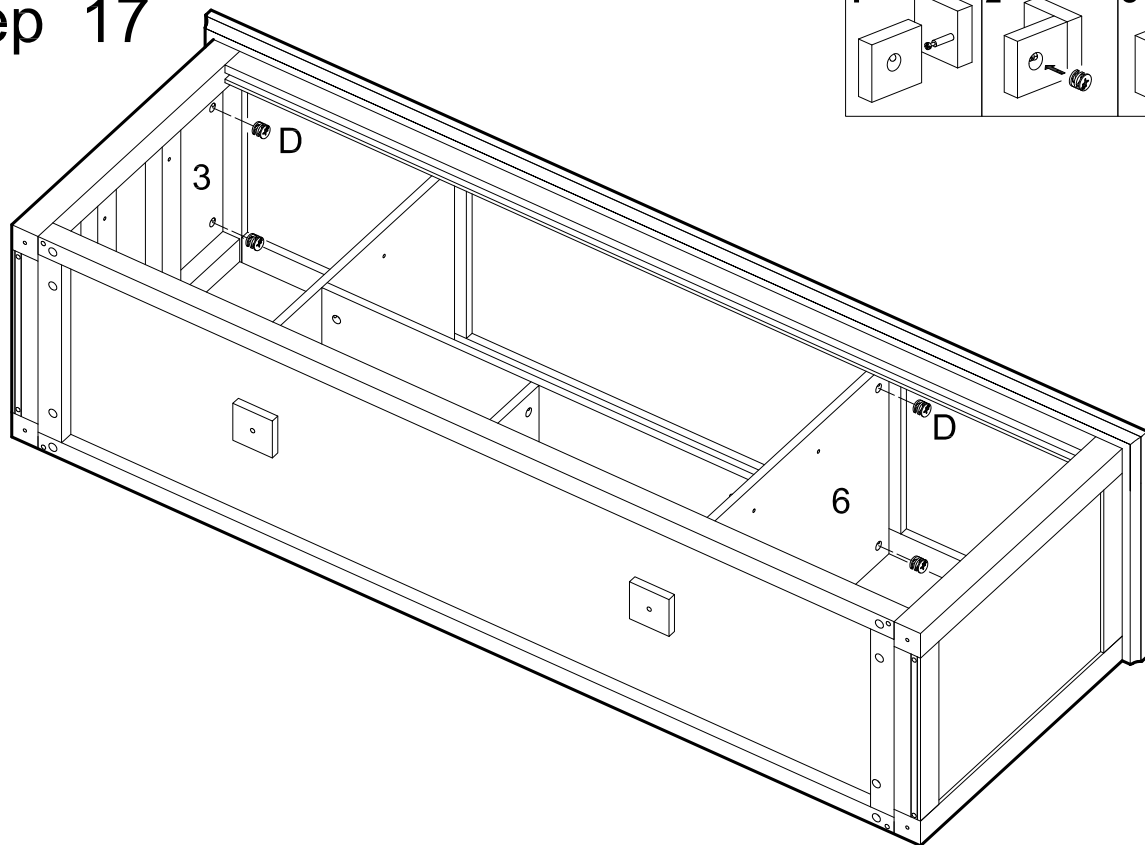
Attach slat (2) to top panel (1) using screws (H).

## Step 16



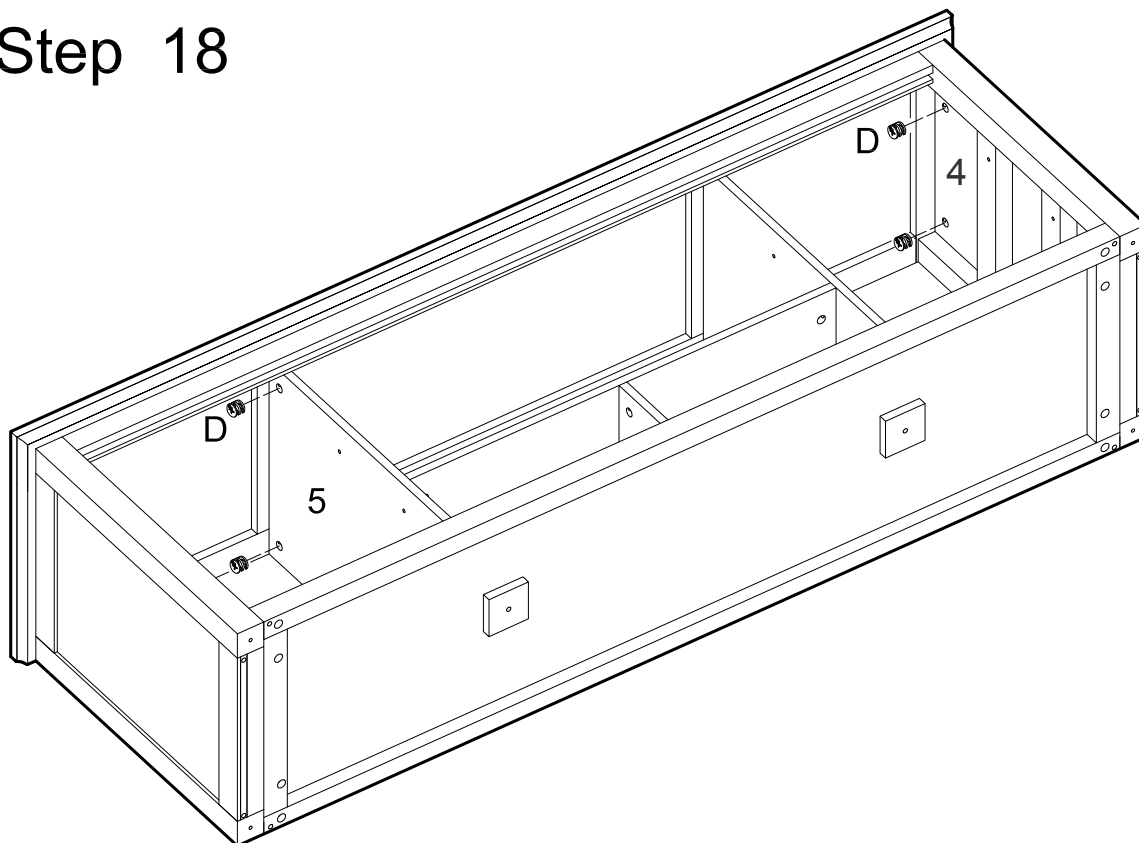
Attach the top panel (1) to the assembly from the previous step using cam bolts and dowels as guides.

## Step 17



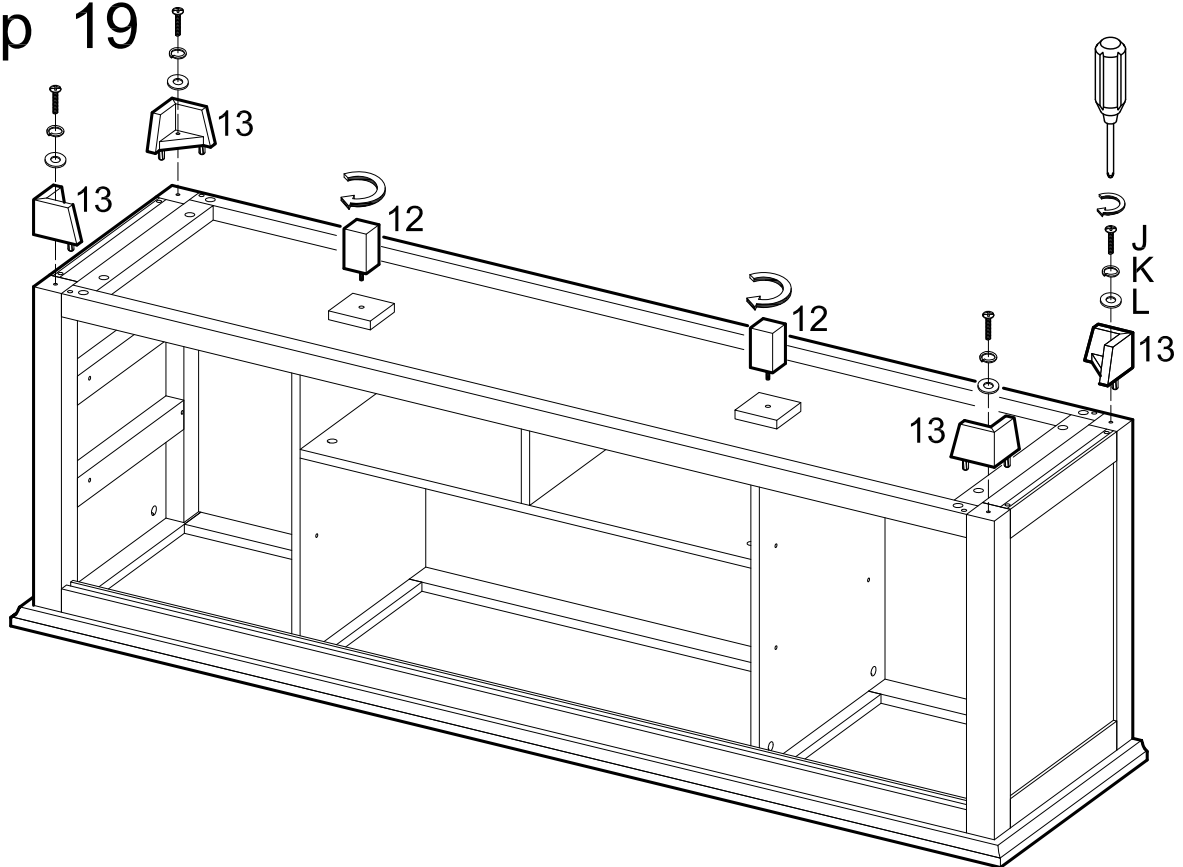
Secure top panel (1) to panels (3,6) using cam locks (D). Tighten cam locks (D) with a screwdriver.

## Step 18



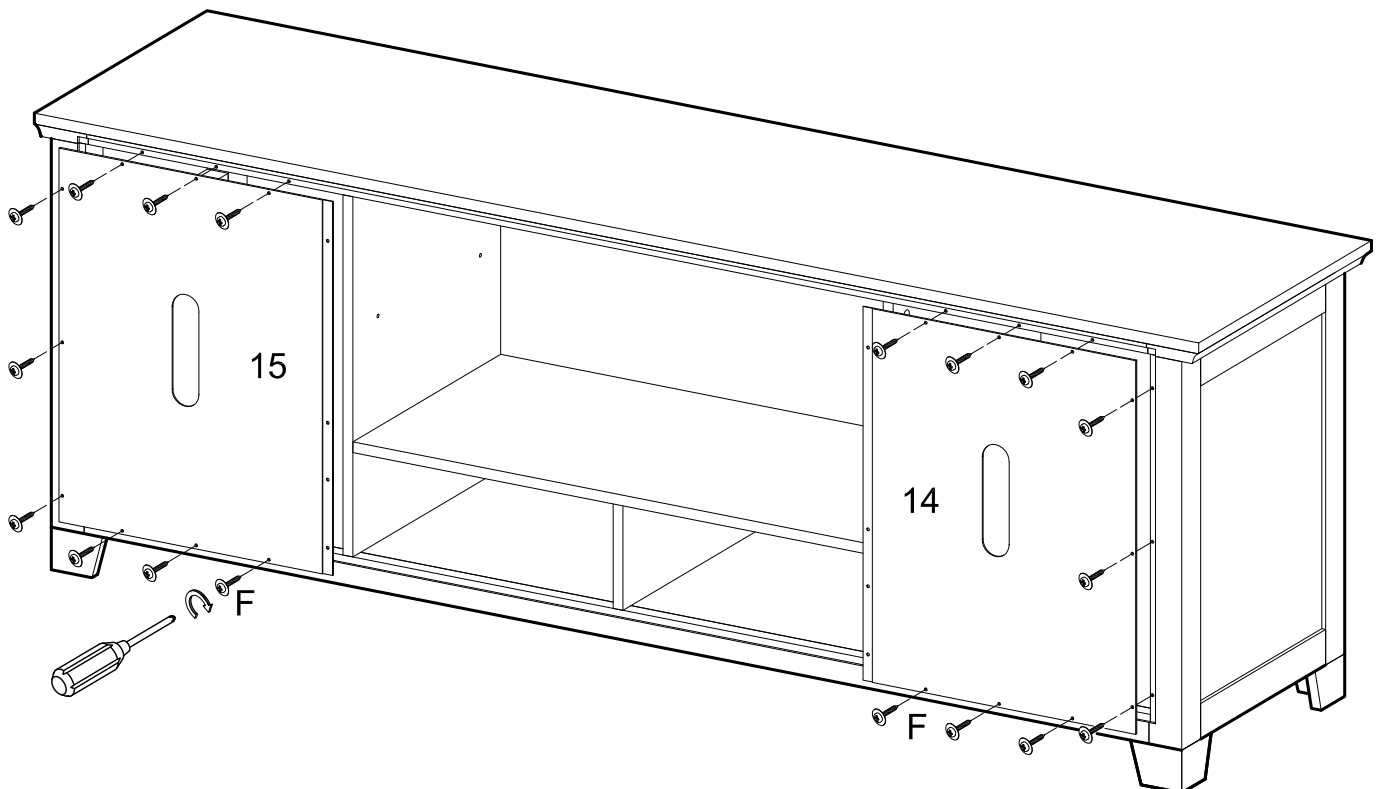
Secure top panel (1) to panels (4,5) using cam locks (D). Tighten cam locks (D) with a screwdriver.

## Step 19



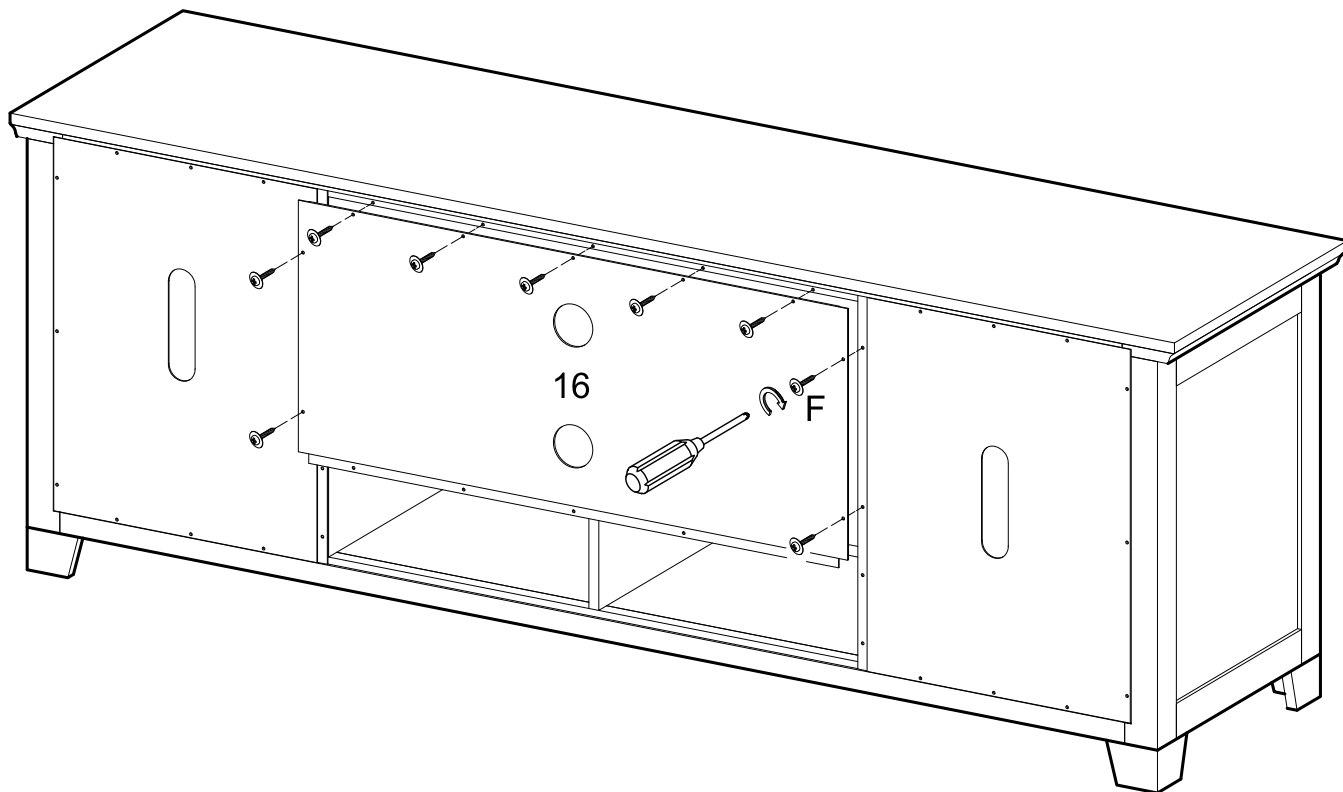
Attach legs (13) to bottom panels (3,4) using bolts (J), spring washers (K) and washers (L) as guides. Screw support legs (12) into bottom panel (11).

## Step 20



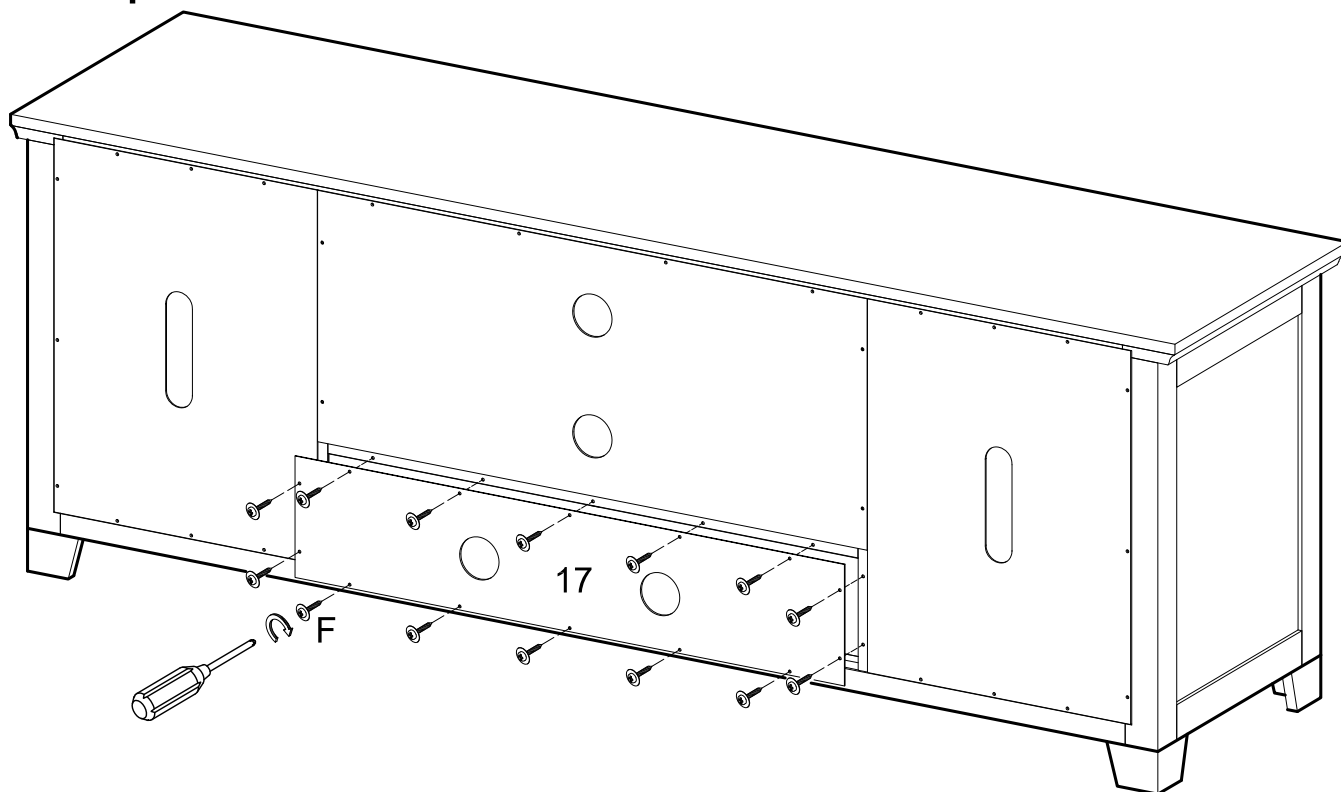
Attach panels (14,15) to the back of the console using screws (F). Note the direction of panels (14, 15) as shown above.

## Step 21



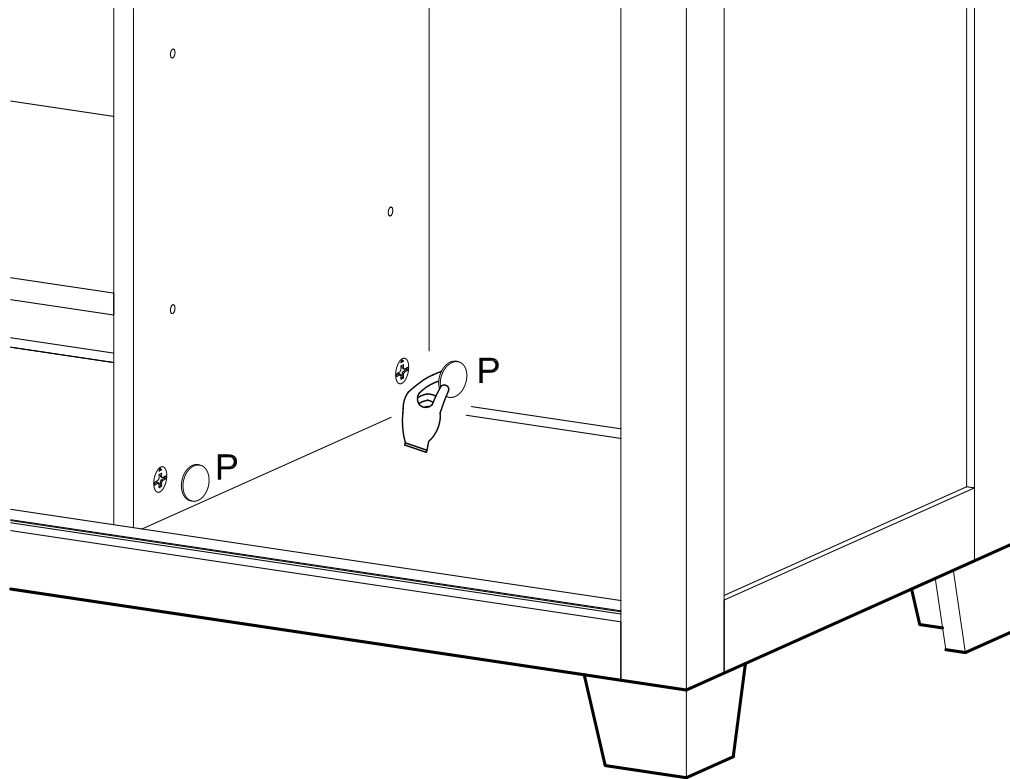
Attach panel (16) to the back of the console using screws (F). Note the direction of panel (16) as shown above.

## Step 22



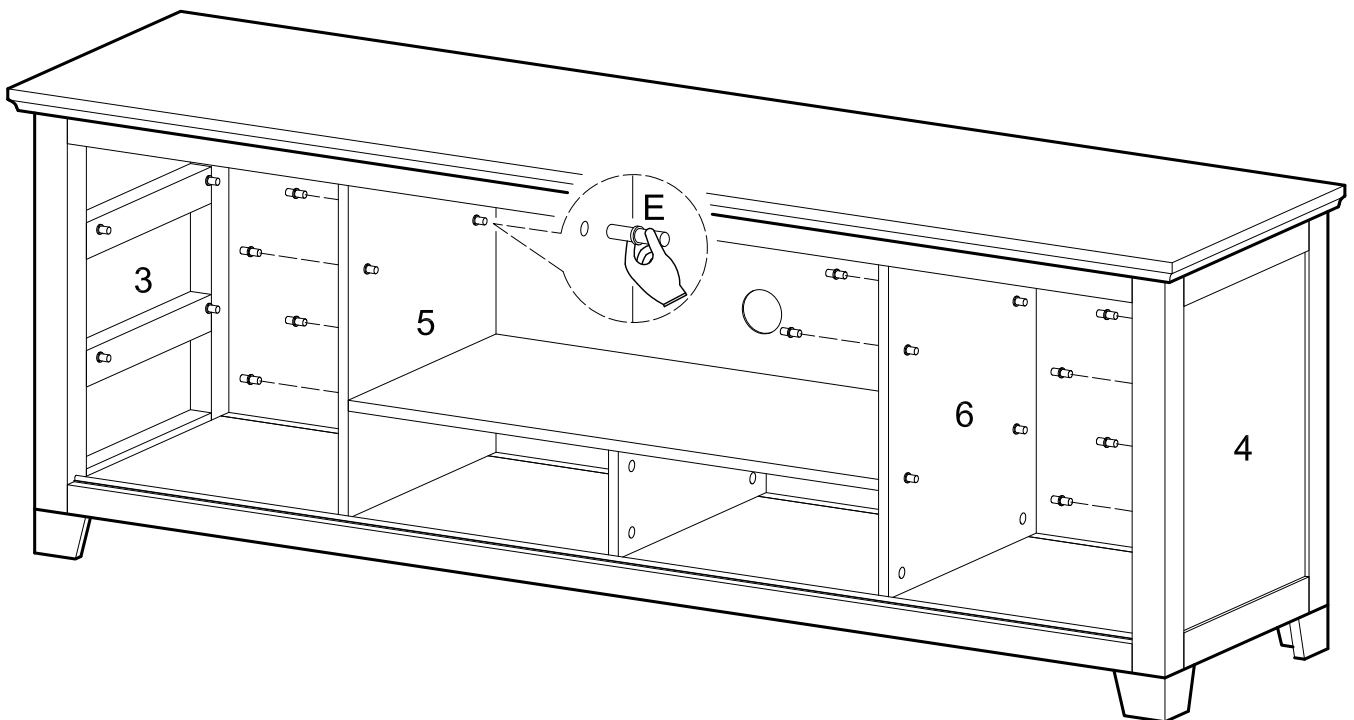
Attach panel (17) to the back of the console using screws (F).

## Step 23



Cover all visible cam locks with stickers (P) as desired.

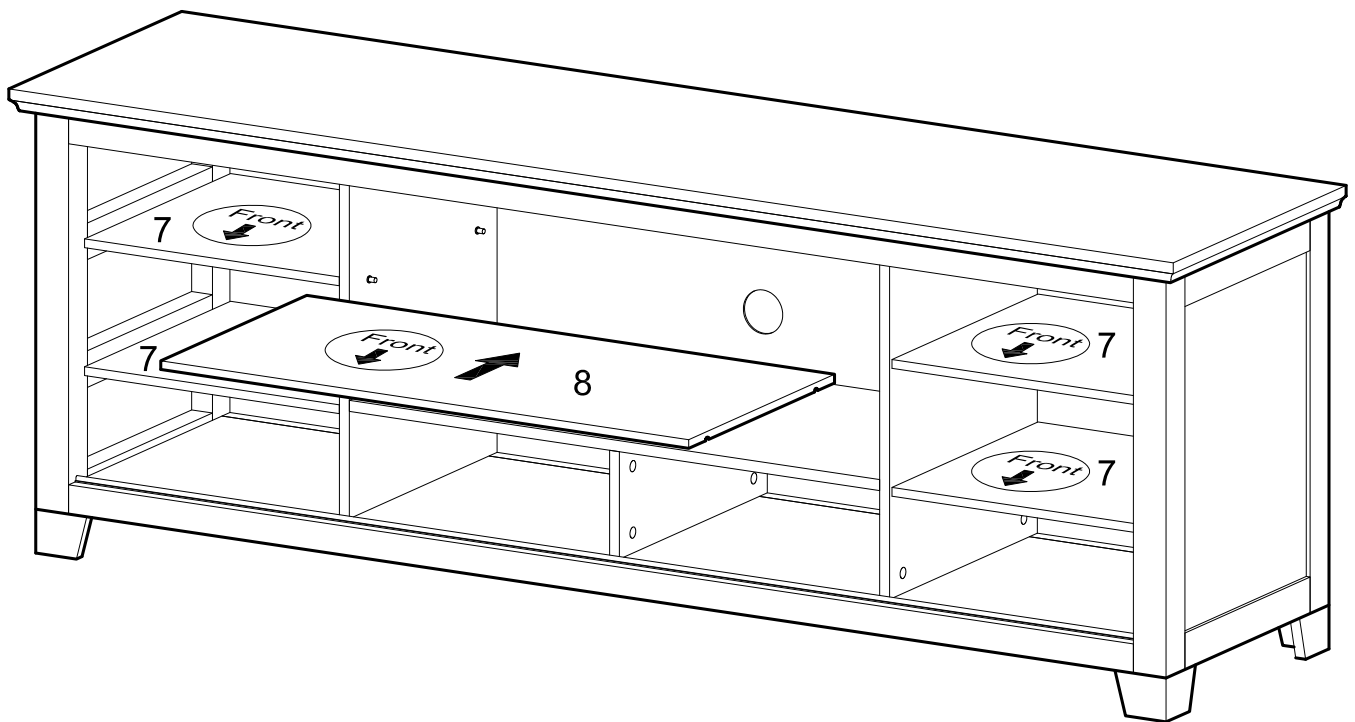
## Step 24



Insert shelf support pins (E) into panels (3,4,5,6).

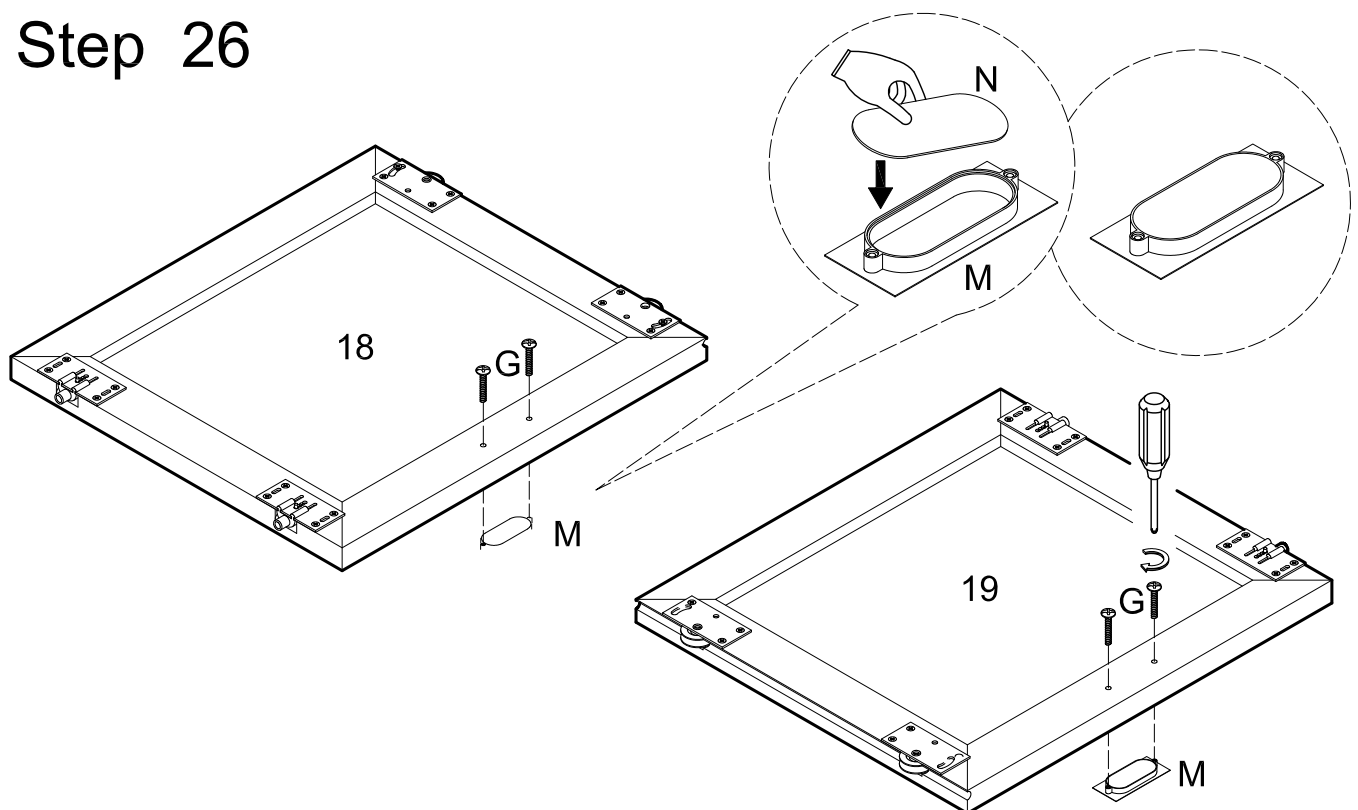


## Step 25



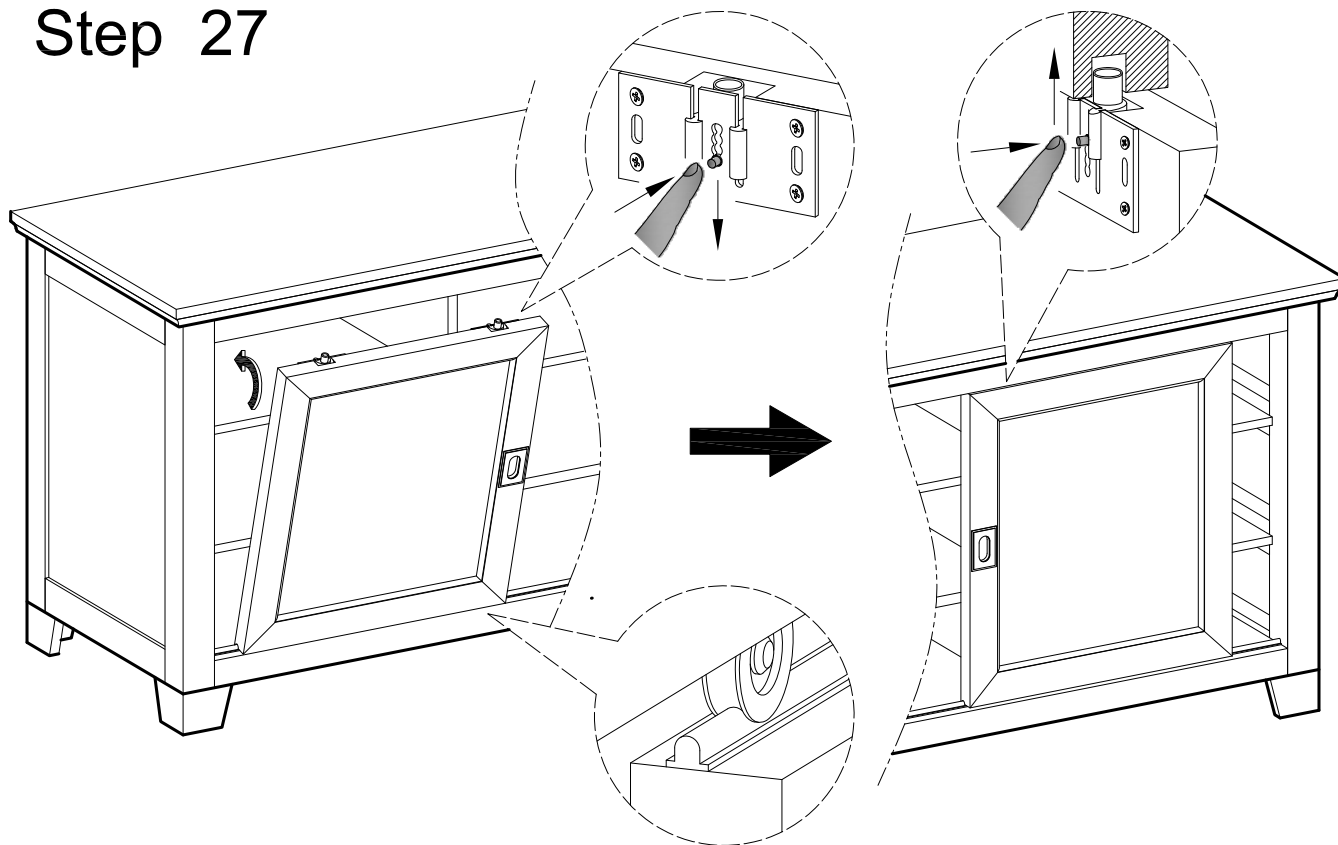
Carefully place shelves (7,8) into the console. Note the direction of the shelves as shown in the diagram. Shelves will rest on the shelf support pins.

## Step 26



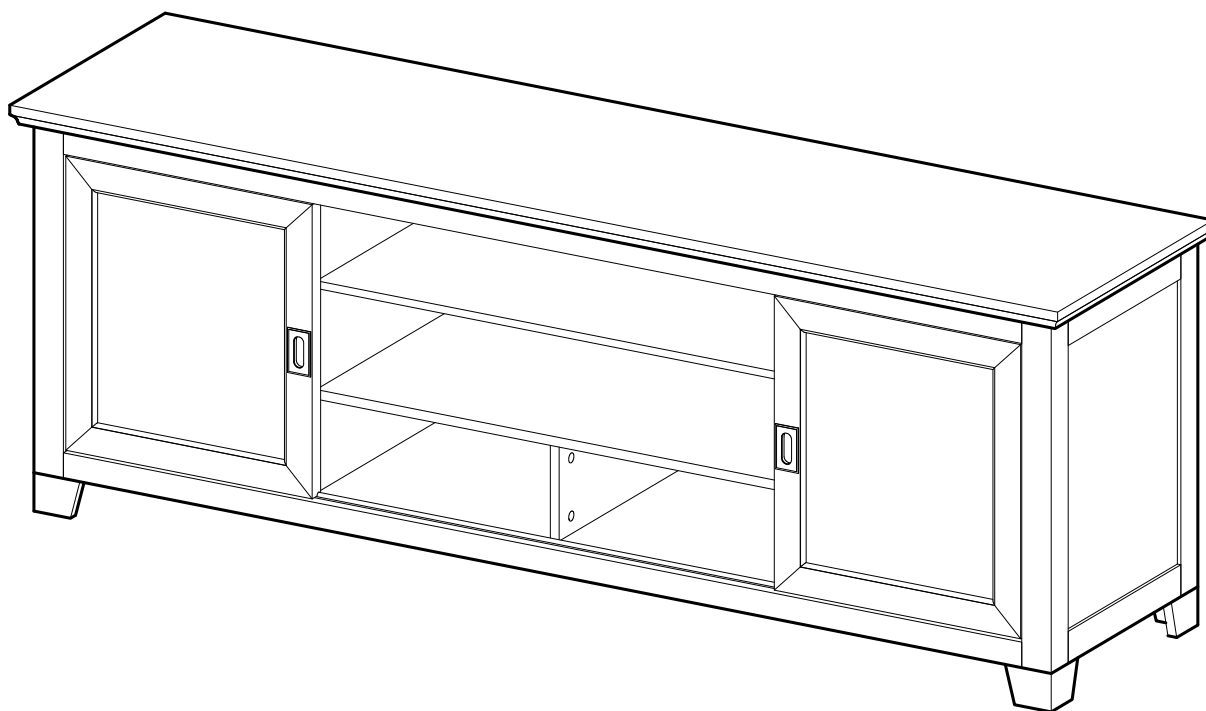
Place the handle back plate (N) into handle (M). Attach the handles (M,N) to doors (18,19) using handle screws (G)

## Step 27



Insert the doors into the console by pulling down the upper door pins and carefully placing the door wheels over the slide in the bottom panel. Secure the doors into place by pressing the upper door pins into the groove in the top panel.

## Step 28



### Final Assembly

## Free Manuals Download Website

<http://myh66.com>

<http://usermanuals.us>

<http://www.somanuals.com>

<http://www.4manuals.cc>

<http://www.manual-lib.com>

<http://www.404manual.com>

<http://www.luxmanual.com>

<http://aubethermostatmanual.com>

Golf course search by state

<http://golfingnear.com>

Email search by domain

<http://emailbydomain.com>

Auto manuals search

<http://auto.somanuals.com>

TV manuals search

<http://tv.somanuals.com>