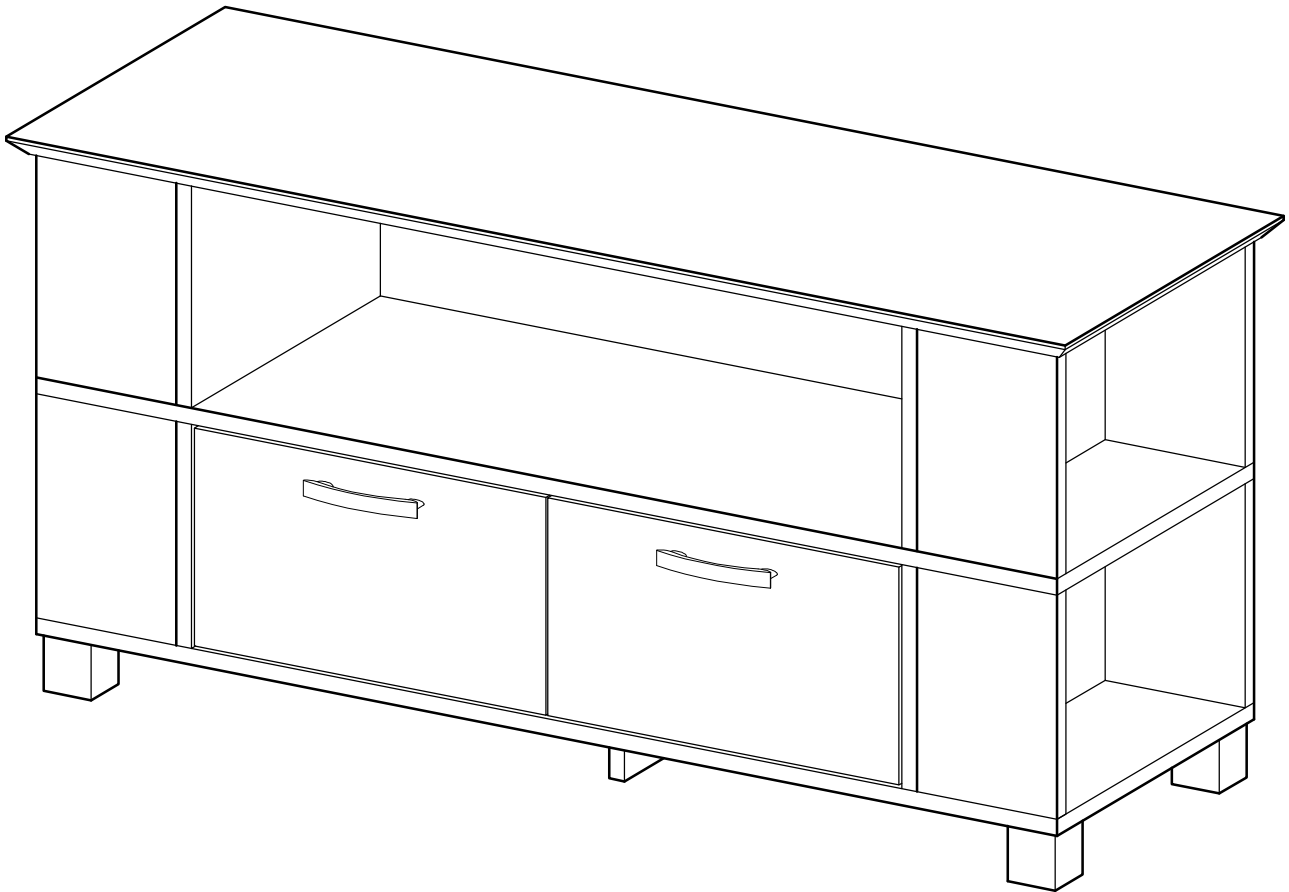


**W** Walker  
**E** Edison  
furniture company

Item #: W44CMP  
Assembly Instructions

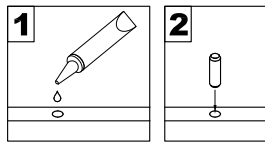


*For our most current instructions, to request missing, lost or broken parts, or for any other Customer Service issues, please visit our website at [www.walkeredison.com](http://www.walkeredison.com) or call us at 877-207-5906.*

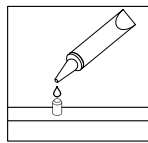
Revised 10/2010

# General Assembly Guidelines

- I. Ensure that all parts and hardware are available before beginning assembly.
- II. Follow each step carefully to ensure the proper assembly of this product.
- III. Two people are recommended for ease in the assembly of this product.
- IV. The four main types of hardware used to assemble this product are: wood dowels, cam bolts and locks, bolts and screws.
- V. The provided glue is to secure wood dowels in place. When first inserting dowels, locate the appropriate hole for the dowel, place a small amount of glue in the hole and insert the dowel. Wipe away excess glue immediately.



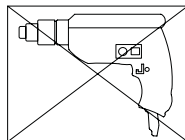
In future assembly steps when dowels are necessary to attach assembly parts together, place a small amount of glue on the end of the dowel before attaching parts together. Wipe away excess glue immediately.



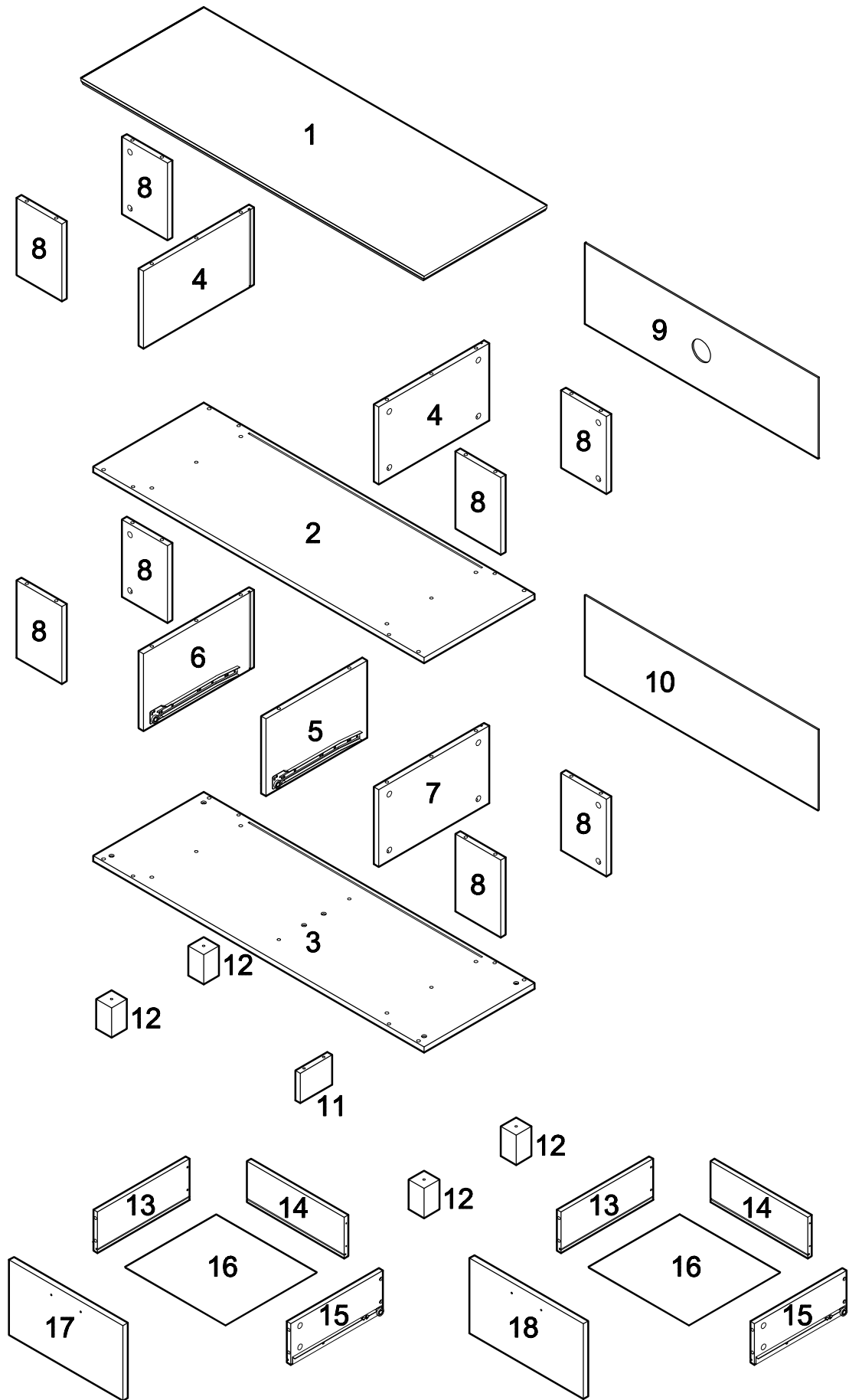
- VI. A Phillips head screwdriver is required for the assembly of this product.








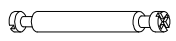
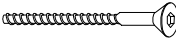






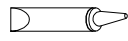

- VII. Power tools should not be used to assemble this product.



# Parts List

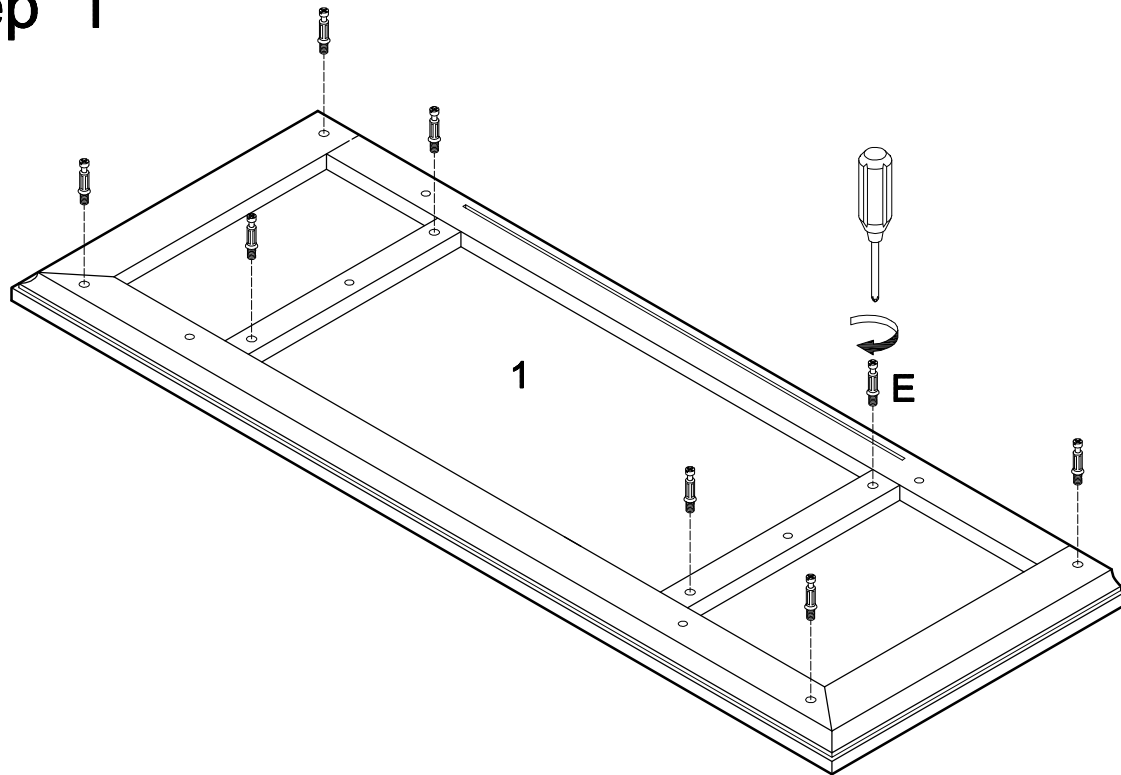


## Hardware List

A		Ø8x30mm	Short wood dowel	16 pcs
B		Ø8x50mm	Long wood dowel	6 pcs
C		Ø15x12mm	Large cam lock	32 pcs
D		Ø15x10mm	Small cam lock	8 pcs
E			Short cam bolt	24 pcs
F			Long cam bolt	8 pcs
G		Ø6x50mm	Bolt	6 pcs
H			Wrench	1 pc
J			Handle	2 pcs
K		Ø4x25mm	Round-head screw	4 pcs
L			Plastic wedge	8 pcs
M		Ø3x17mm	Small screw	8 pcs
N		Ø8x30mm	Large screw	8 pcs
P			Glue tube	2 pcs
Q		Ø25mm	Sticker	40 pcs

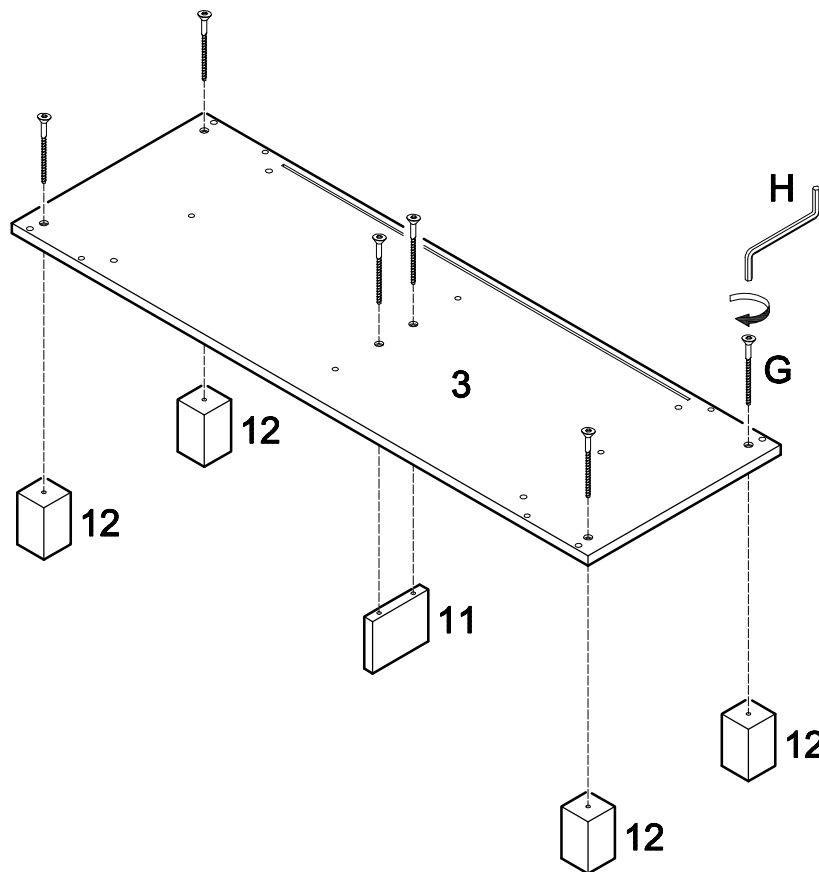
*The hardware quantities listed above are required for proper assembly. Some extra hardware may also have been included.*

# Step 1



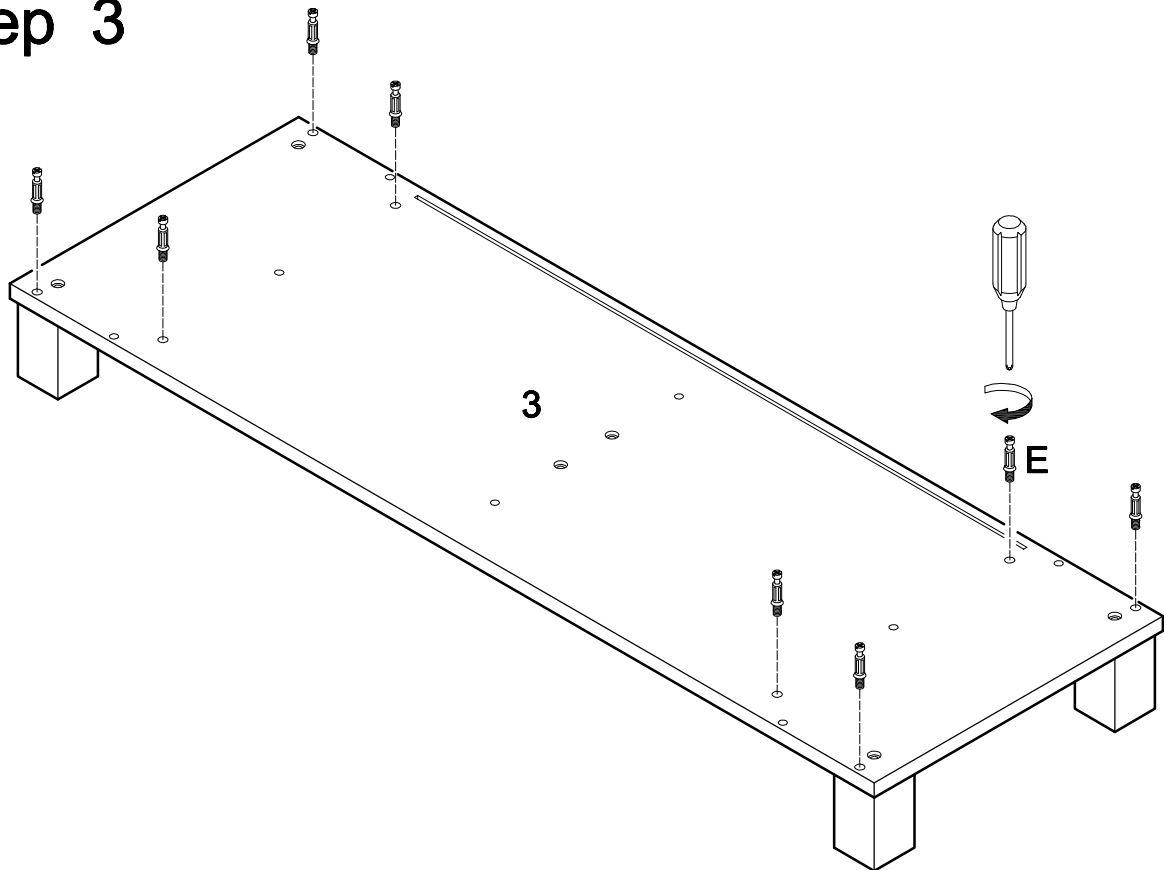
Screw short cam bolts (E) into stand top (1).

# Step 2



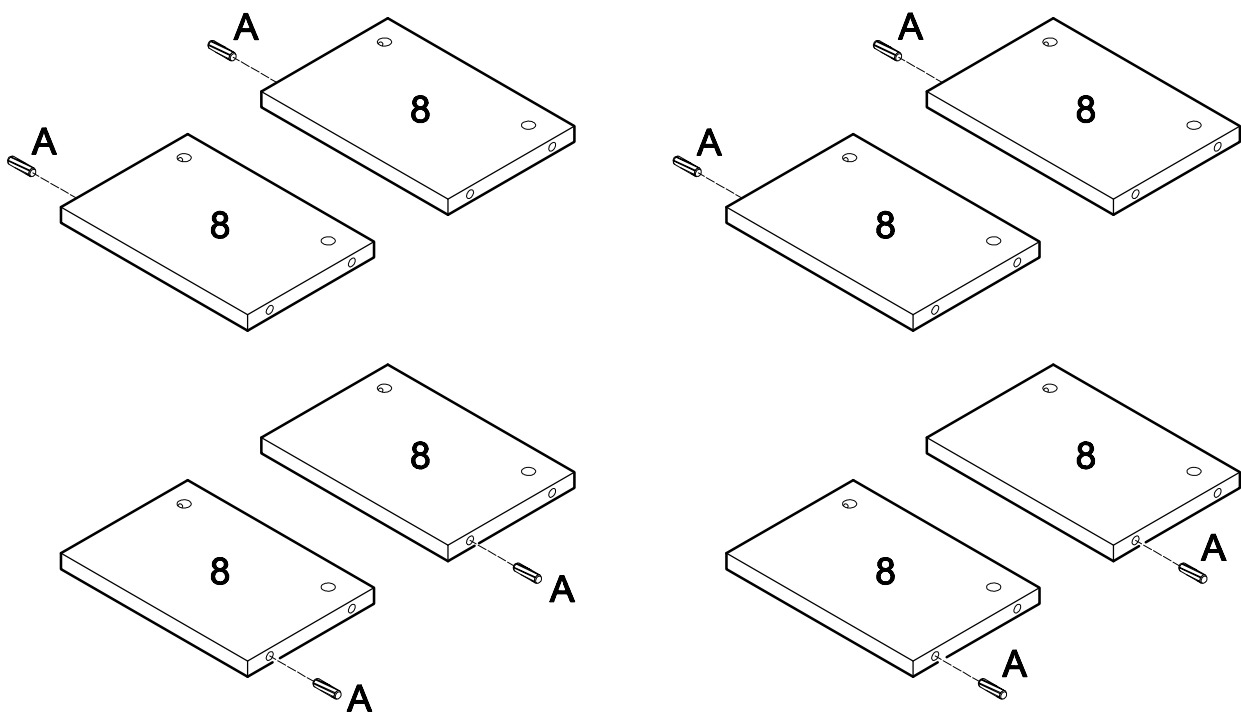
Attach feet (12) and stand support (11) to stand base (3) using bolts (G) and wrench (H).

## Step 3



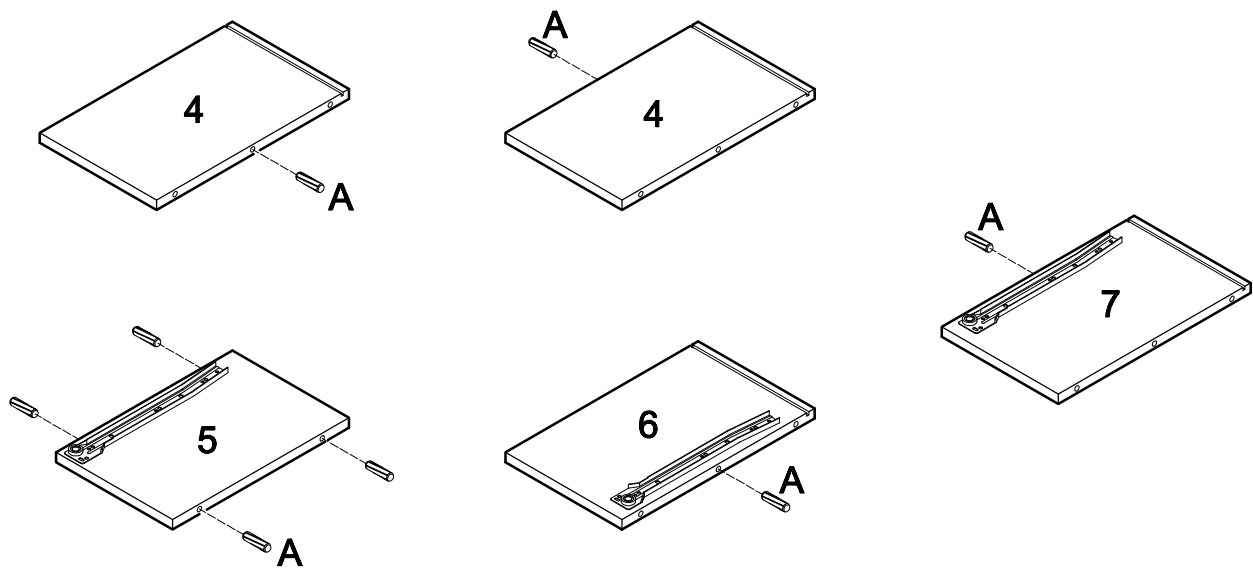
Screw short cam bolts (E) into stand base (3).

## Step 4



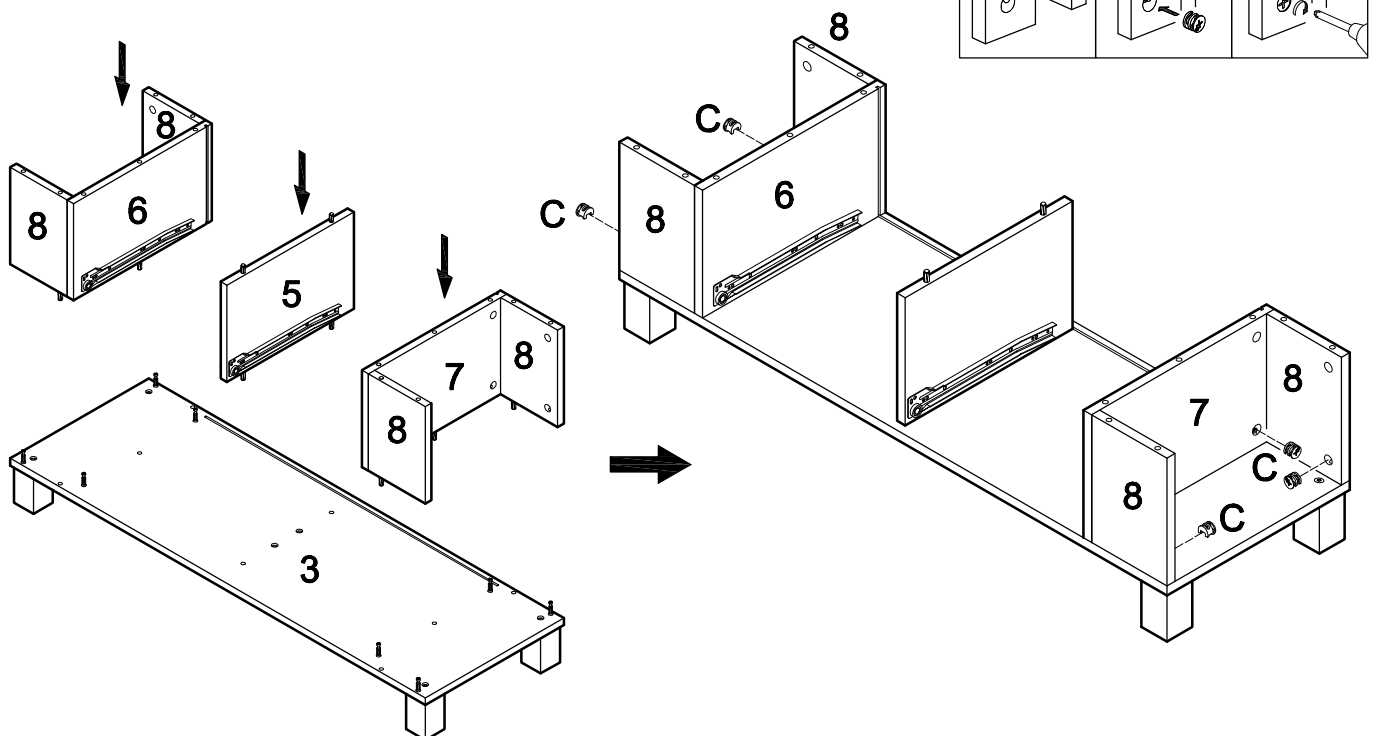
Insert short dowels (A) into panels (8) on appropriate sides.

## Step 5



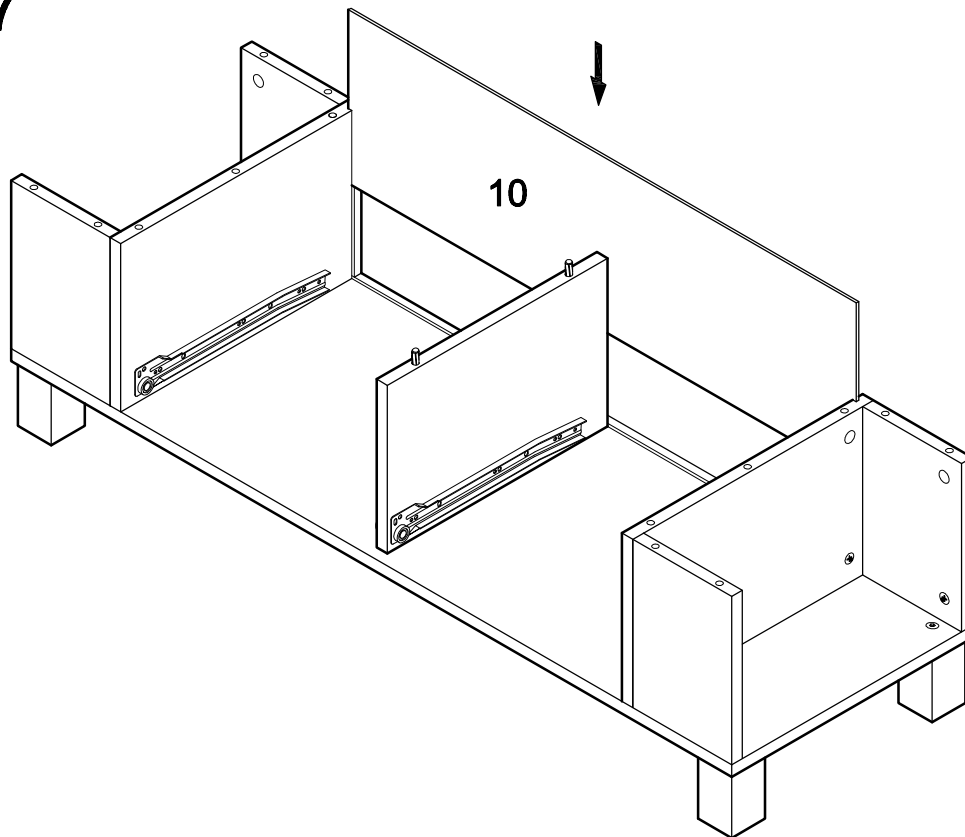
Insert short dowels (A) into panels (4,5,6,7) on appropriate sides.

## Step 6



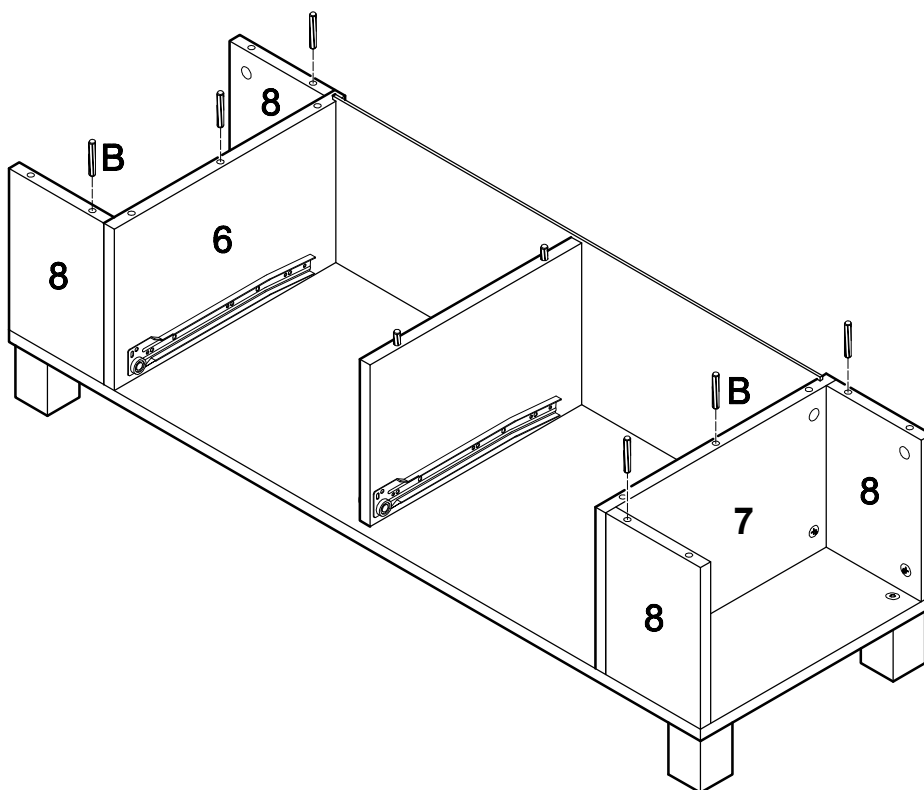
Attach panels (5,6,7,8) to stand base (3) using cam bolts and dowels as guides. *Note that panels (8) are not attached to panels (6,7), but that all panels should align when attached to stand base (3).* Secure panels (6,7,8) to stand base (3) by inserting large cam locks (C) into panels (6,7,8) and tightening with a screwdriver.

## Step 7



Slide back panel (10) into the stand assembly along the grooves at the back of the assembly. *Note that the vinyl lamination of back panel (10) should face out.*

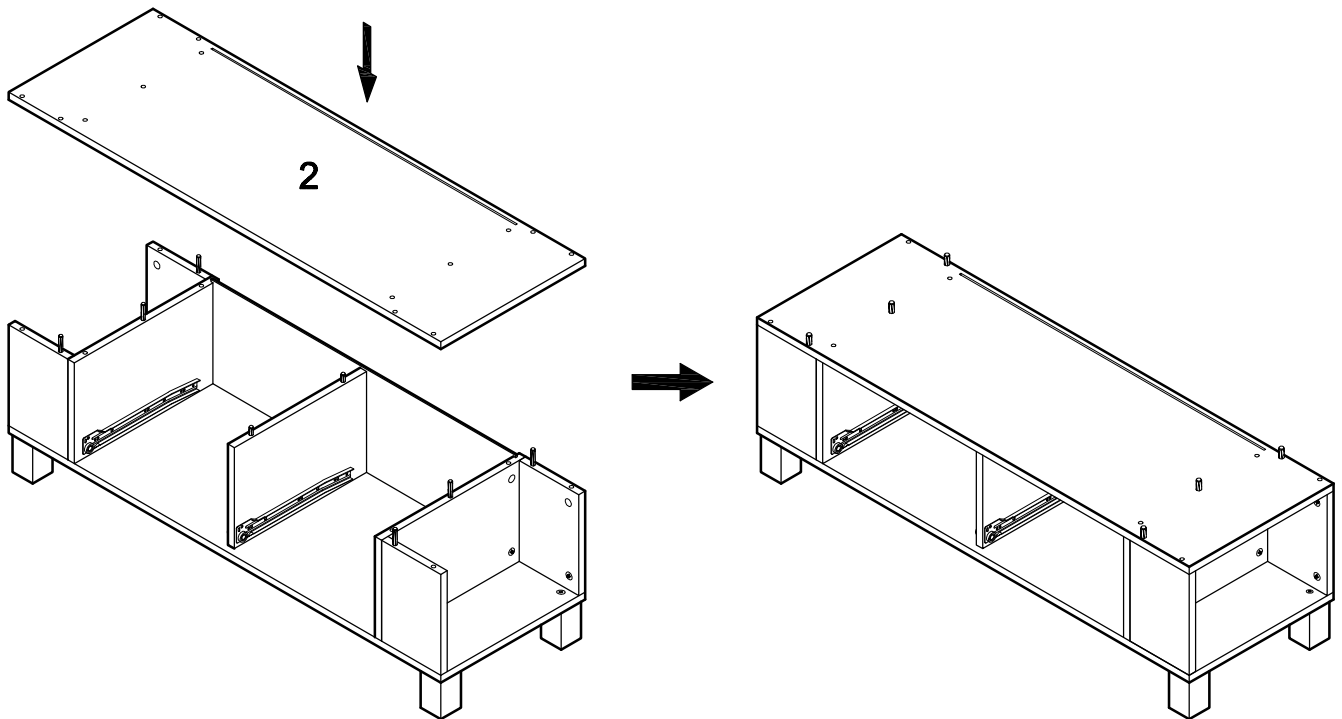
## Step 8



Insert long dowels (B) into panels (6,7,8).

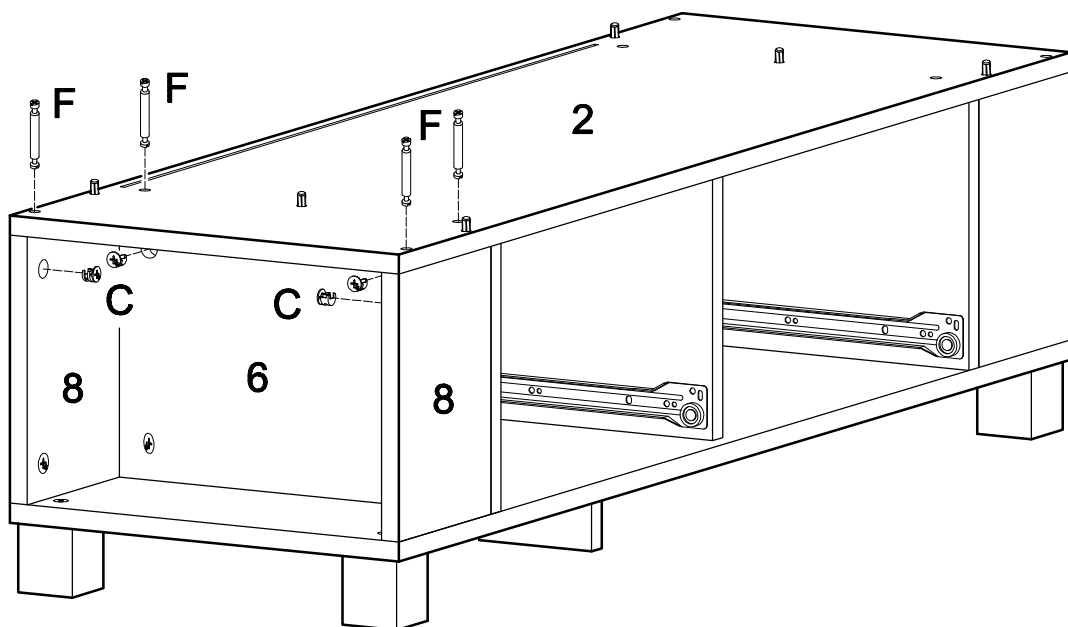
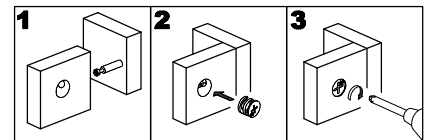


## Step 9



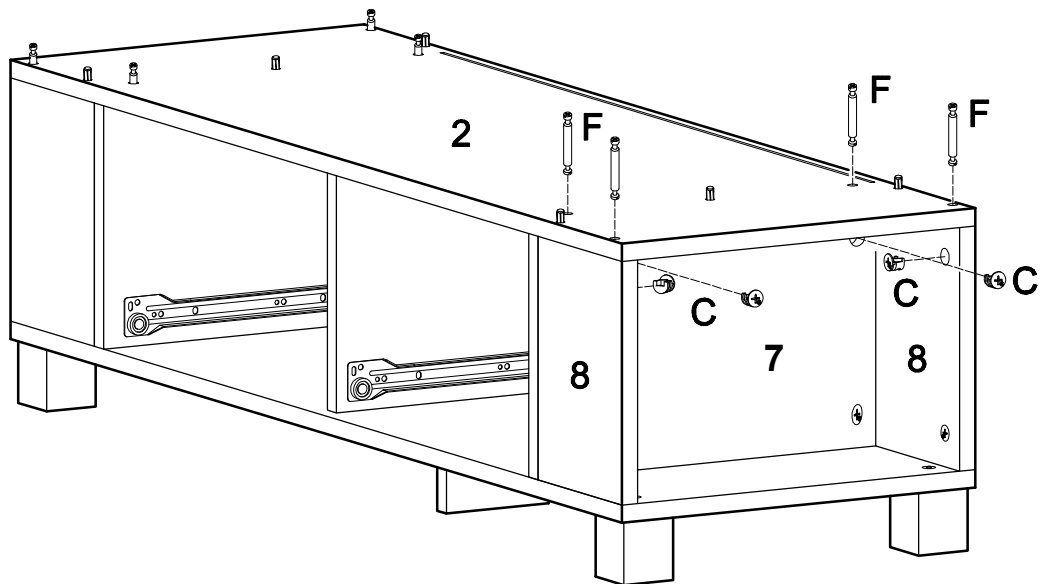
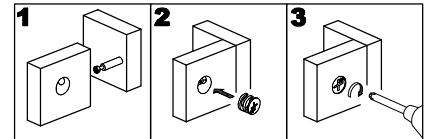
Attach middle panel (2) to stand assembly using dowels as guides.

## Step 10



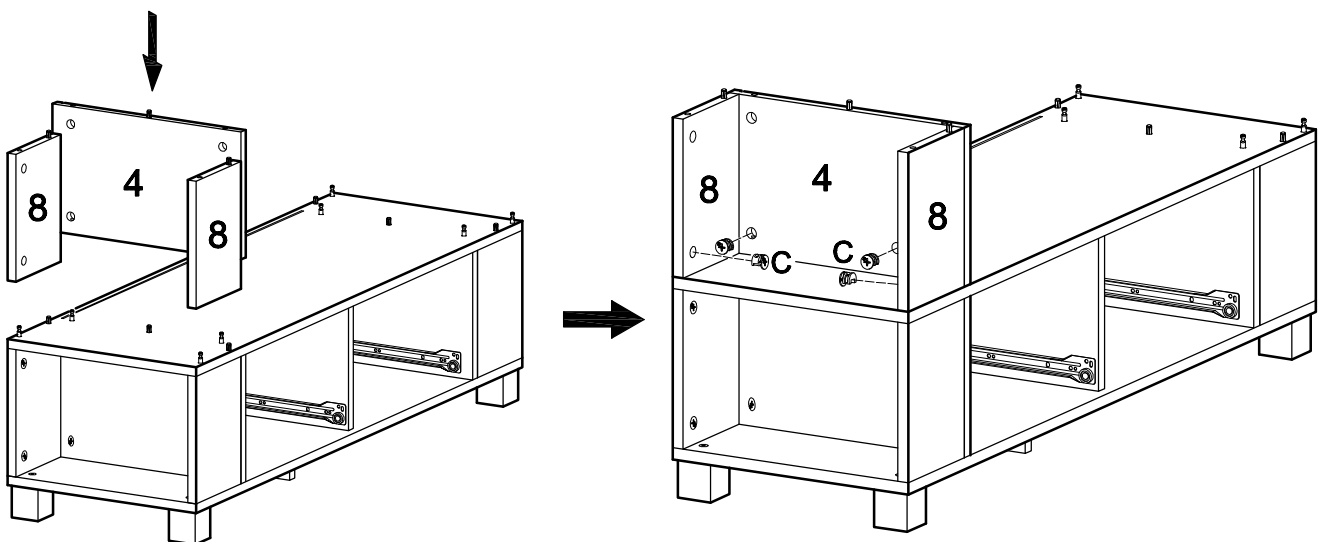
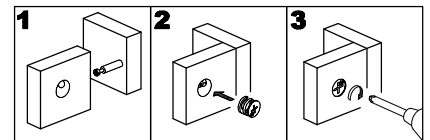
Insert long cam bolts (F) into middle panel (2). Insert large cam locks (C) into panels (6,8) and tighten with a screwdriver.

# Step 11



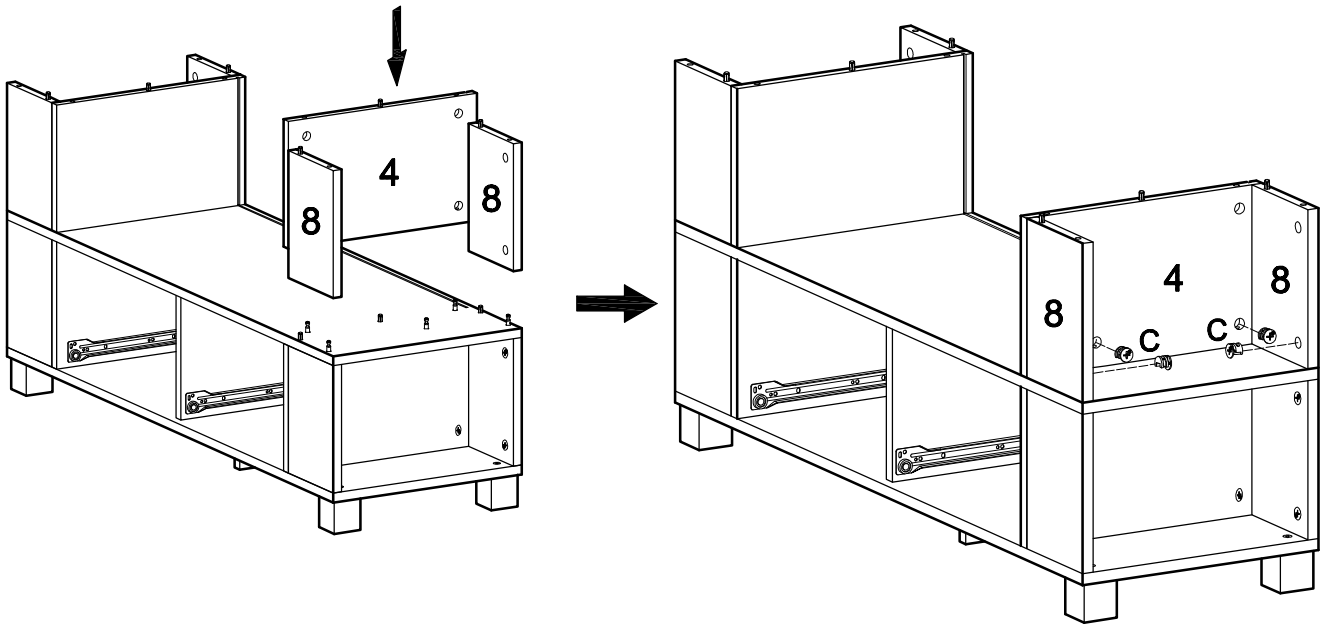
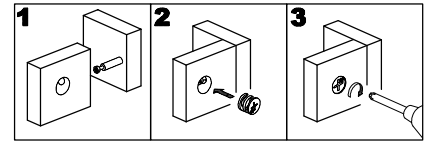
Insert long cam bolts (F) into middle panel (2). Insert large cam locks (C) into panels (7,8) and tighten with a screwdriver.

# Step 12



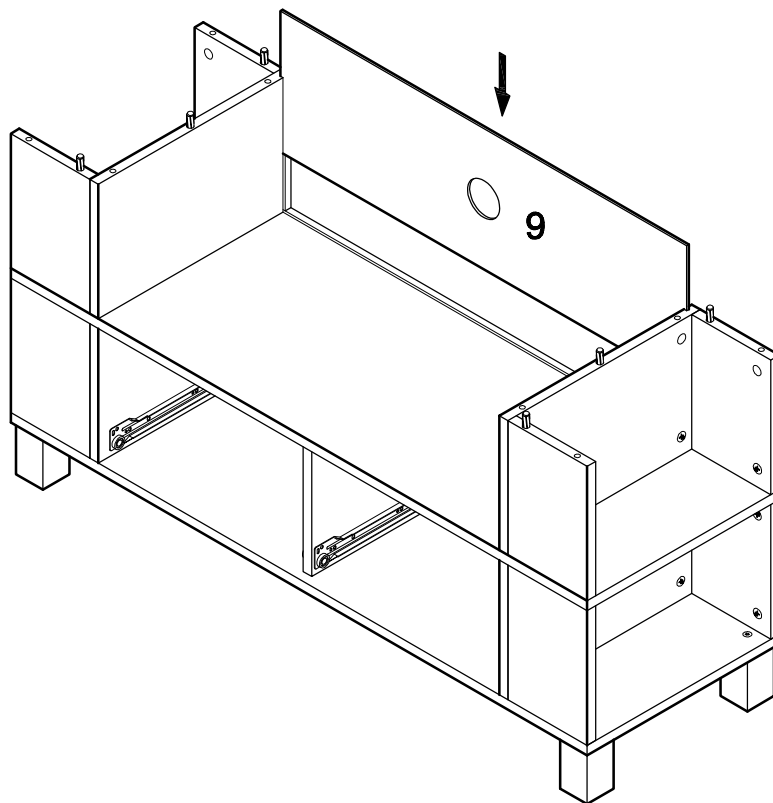
Attach panels (4,8) to the stand assembly using cam bolts and dowels as guides. Secure panels (4,8) by inserting large cam locks (C) into panels (4,8) and tightening with a screwdriver.

## Step 13



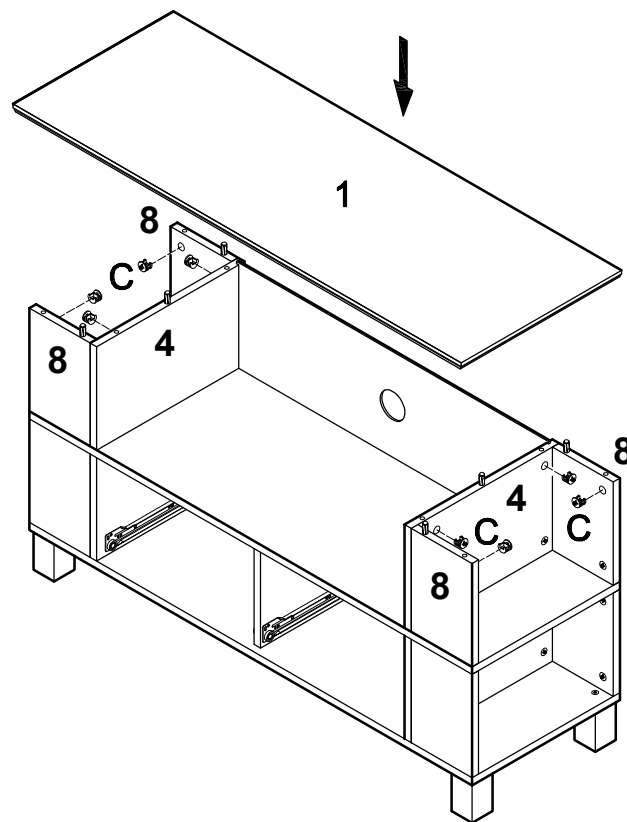
Attach panels (4,8) to the other end of the stand assembly using cam bolts and dowels as guides. Secure panels (4,8) by inserting large cam locks (C) into panels (4,8) and tightening with a screwdriver.

## Step 14



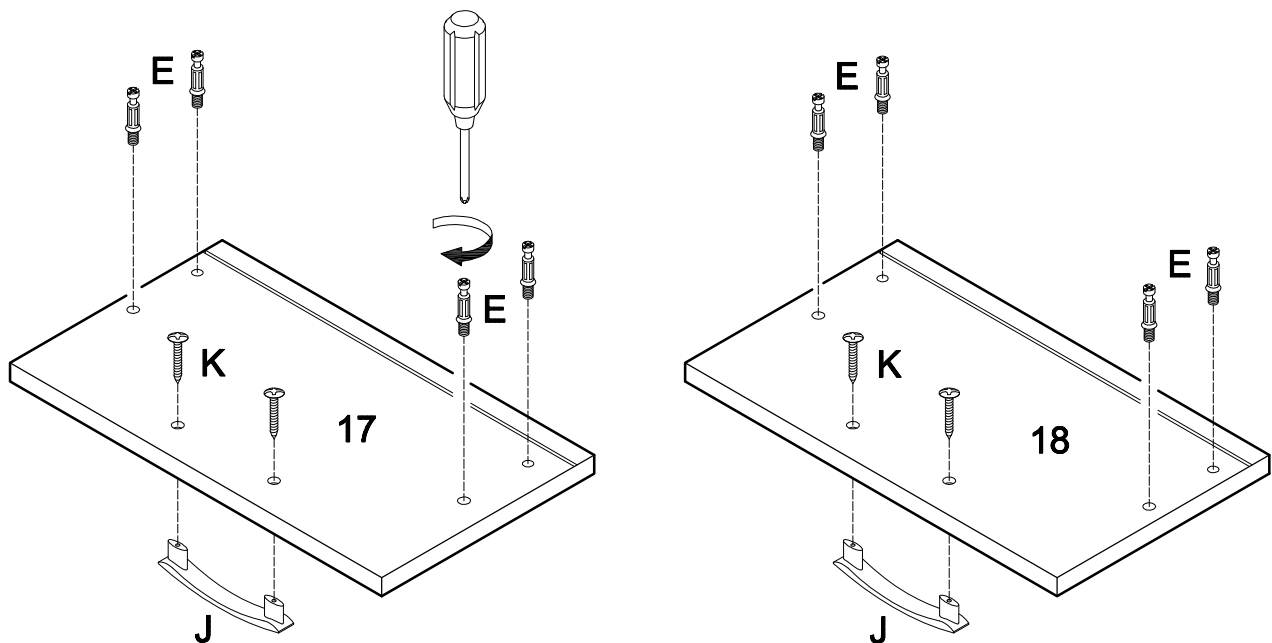
Slide back panel (9) into the stand assembly along the grooves at the back of the assembly.

## Step 15



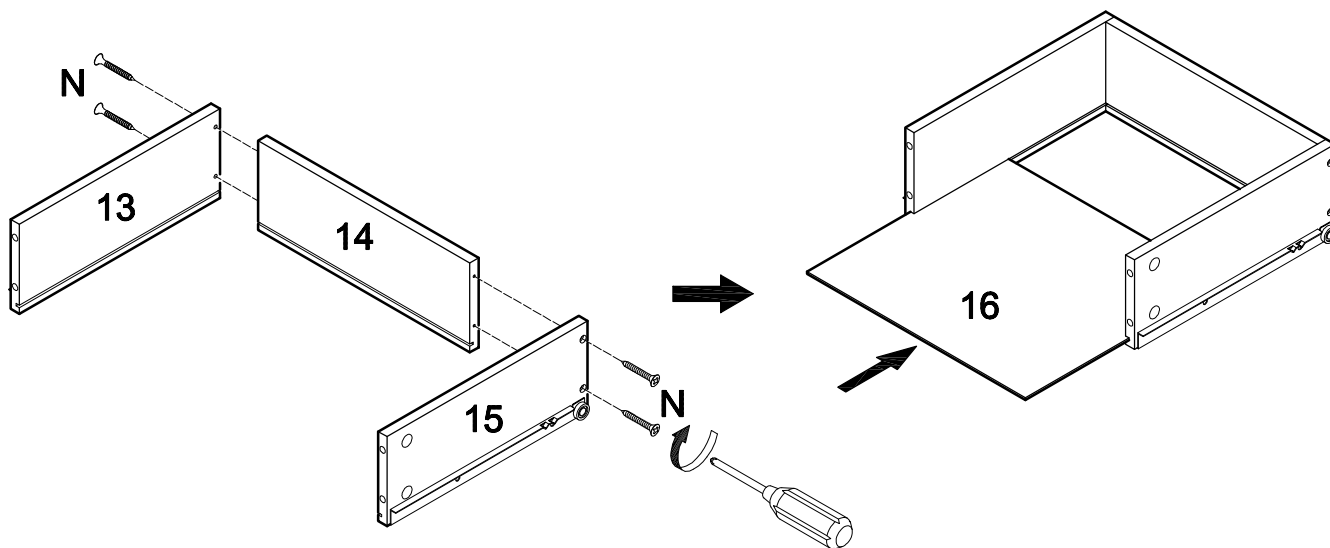
Insert large cam locks (C) into panels (4,8). Attach stand top (1) to the stand assembly using cam bolts and dowels as guides. Tighten large cam locks (C) with a screwdriver.

## Step 16



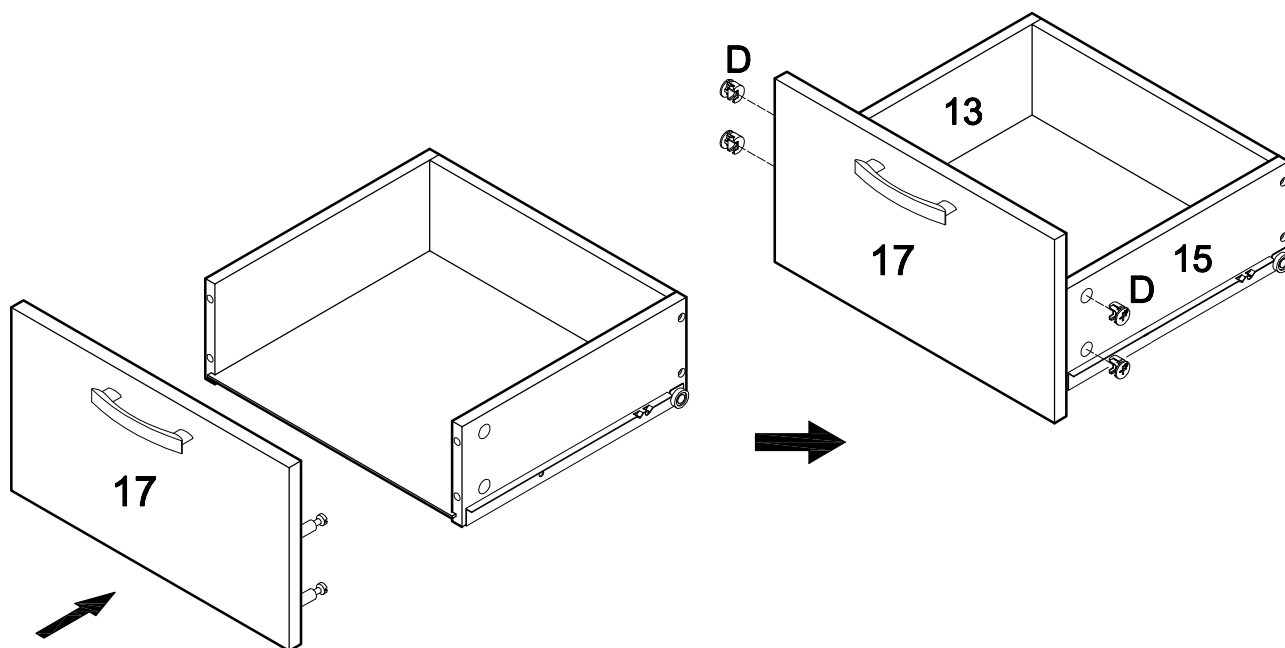
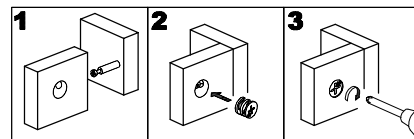
Screw short cam bolts (E) into drawer fronts (17,18). Attach handles (J) to drawer fronts (17,18) using round head screws (K).

## Step 17



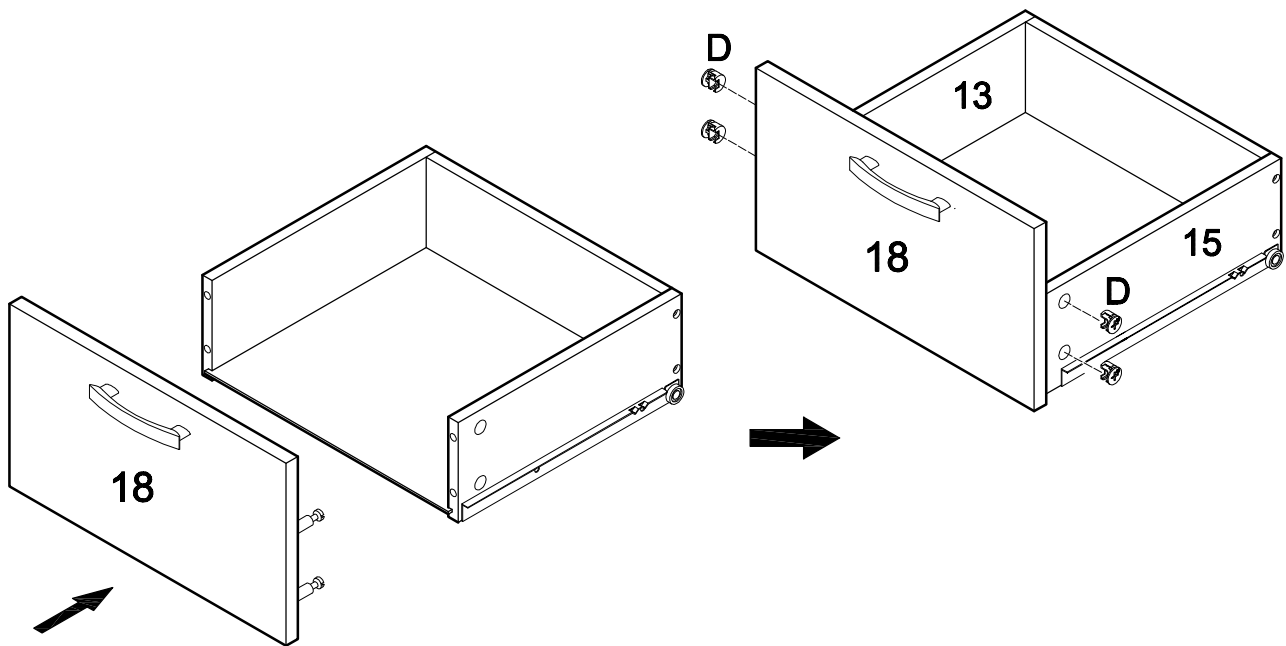
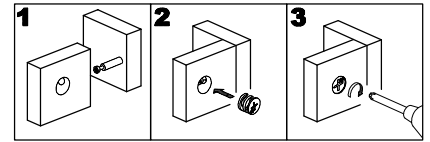
Attach drawer sides (13,15) to drawer back (14) using large screws (N). Slide drawer bottom (16) into the grooves of the drawer assembly. *Note that the vinyl lamination of drawer bottom (16) should be on the inside of the drawer.* Repeat this step for the second drawer.

## Step 18



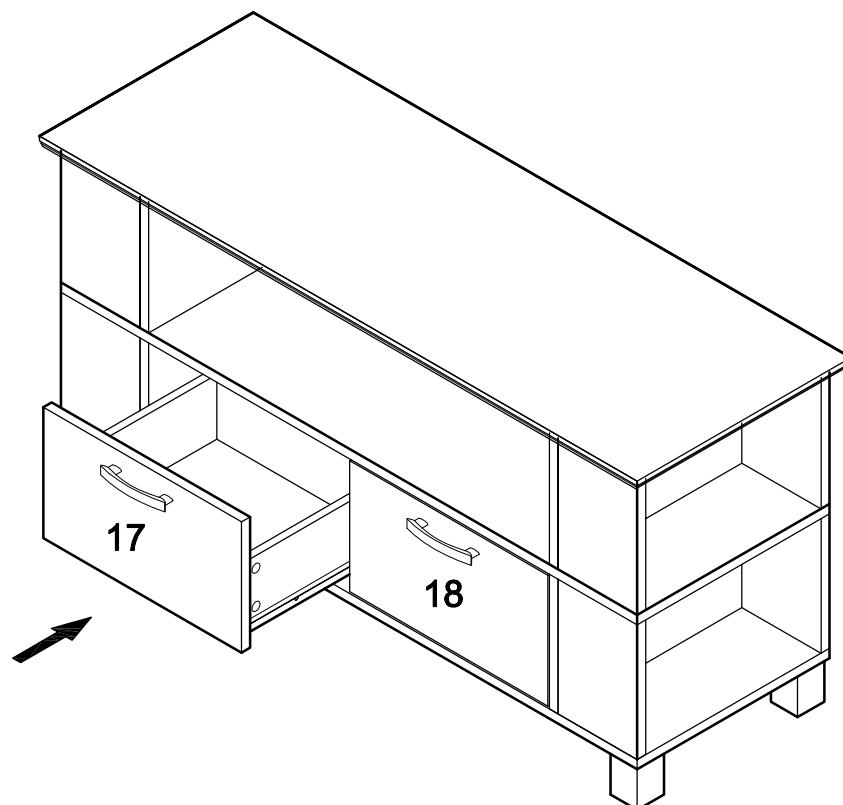
Attach drawer front (17) to the first drawer assembly using cam bolts as guides. Insert small cam locks (D) into drawer sides (13,15) and tighten with a screwdriver.

## Step 19



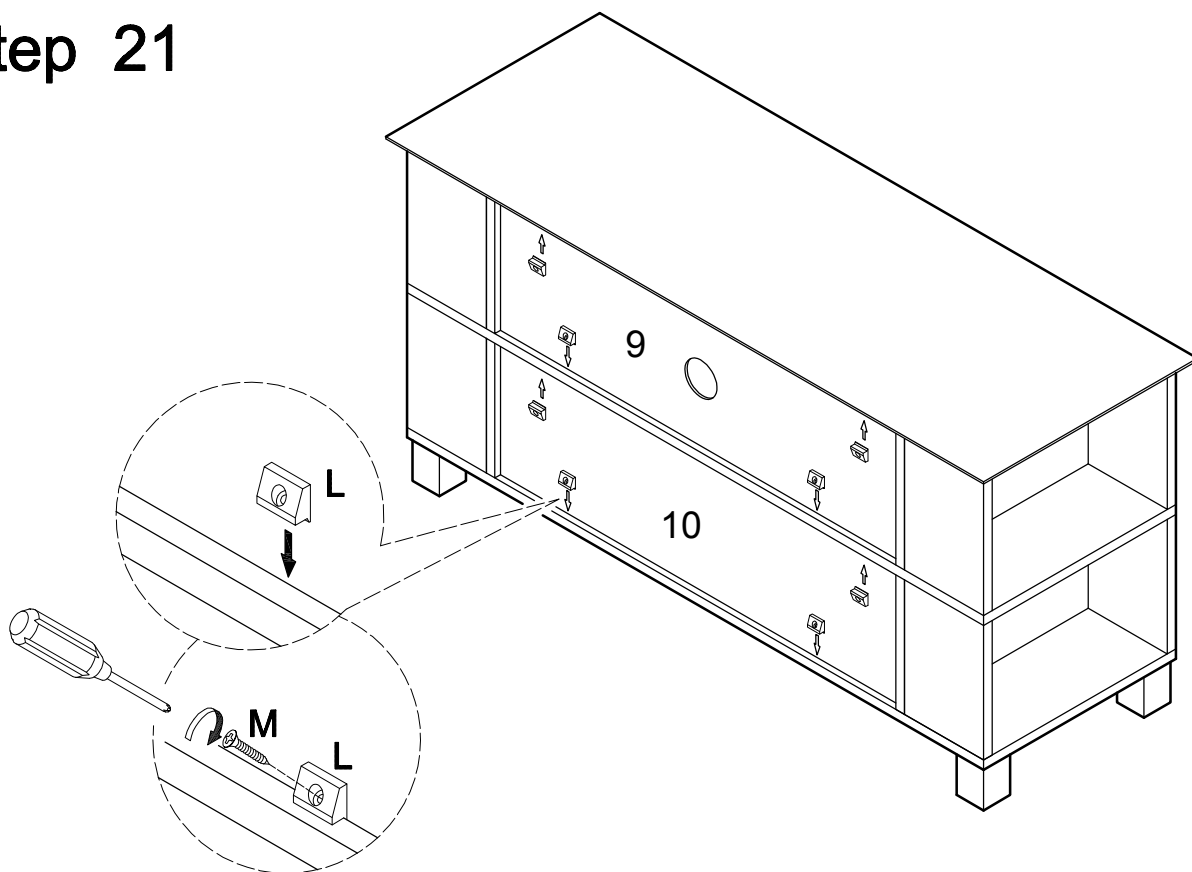
Attach drawer front (18) to the second drawer assembly using cam bolts as guides. Insert small cam locks (D) into drawer sides (13,15) and tighten with a screwdriver.

## Step 20



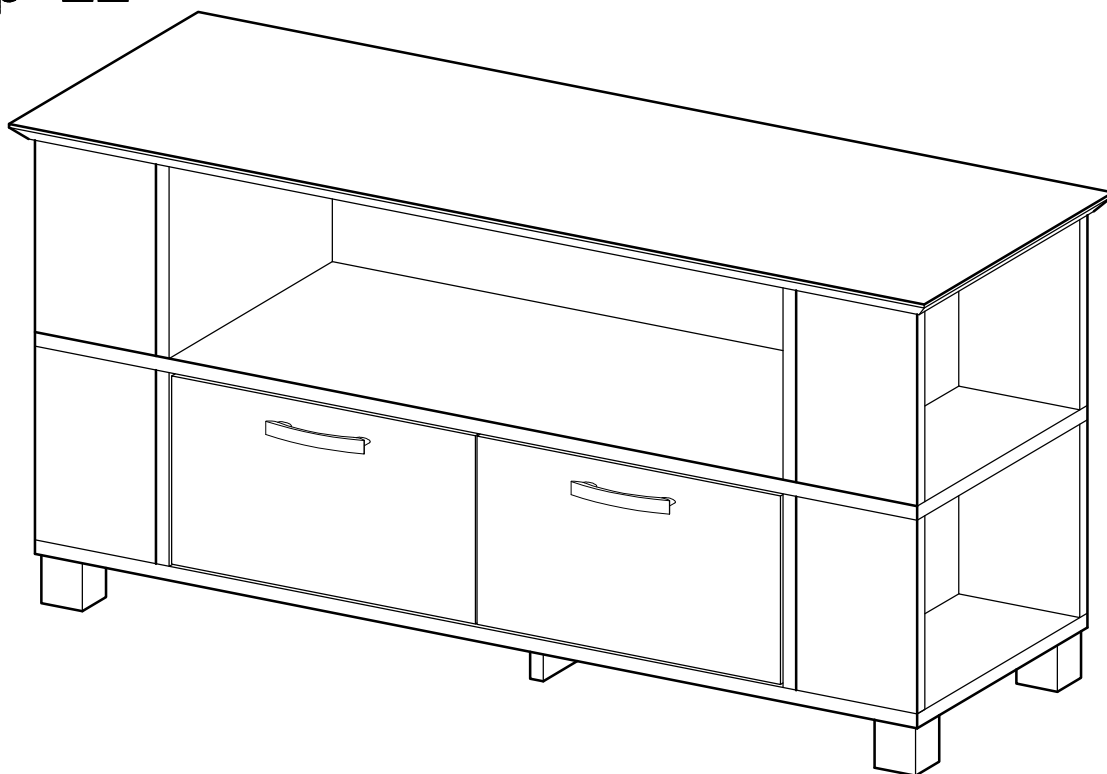
Carefully slide drawer assemblies into the stand assembly.

## Step 21



Secure back panels (9,10) to the stand assembly using plastic wedges (L) and small screws (M).

## Step 22



## Final Assembly

## Free Manuals Download Website

<http://myh66.com>

<http://usermanuals.us>

<http://www.somanuals.com>

<http://www.4manuals.cc>

<http://www.manual-lib.com>

<http://www.404manual.com>

<http://www.luxmanual.com>

<http://aubethermostatmanual.com>

Golf course search by state

<http://golfingnear.com>

Email search by domain

<http://emailbydomain.com>

Auto manuals search

<http://auto.somanuals.com>

TV manuals search

<http://tv.somanuals.com>