

Ultura Irons

Instruction Booklet

This book covers the use and care of the following Ultura Irons:

SR5990 Ultura 90 Resilium®	Shot & Spray Iron with Safety Auto-Off
SR5880 Ultura 80 Stainless	Shot & Spray Iron with Safety Auto-Off
SR5770 Ultura 70 Platinum	Shot & Spray Iron with Safety Auto-Off
SR5665 Ultura 65 Platinum	Shot & Spray Iron with Safety Auto-Off
SR5560 Ultura 60 Platinum	Shot & Spray Iron with Safety Auto-Off

Please read these instructions carefully
and retain for future reference.



Contents

Sunbeam's Safety Precautions	3
Features of your Ultura Iron	4
Using your Ultura Iron	6
The Safety Auto-Off Feature	7
Care and Cleaning of your Ultura Iron	8
Ultura Ironing Tips & Tricks	9
Ironing Chart	10

Important instructions – retain for future use.

تأكد من تفهم احتياطات السلامة المذكورة اعلاه

請務必理解上述的安全預防措施。

Assurez-vous que les précautions ci-dessus relatives à la sécurité sont bien comprises

Versichern Sie sich, dass die obenstehenden Sicherheitsmaßnahmen verstanden werden

Βεβαιώσετε πως οι παραπάνω προφυλάξεις ασφαλείας γίνονται κατανοητές

Pastikan bahwa tindakan-tindakan keselamatan seperti di atas dimengerti anda

Accertatevi che le suddette norme di sicurezza siano comprese a dovere

上記の注意事項をよくお読みになり、安全を御確認ください

Уверете се дека погоре споменатите мерки на претпазливост се добро разбрани

Asegúrese de que las precauciones de seguridad precedentes sean bien comprendidas

کاری بکنید کہ احتیاطهای بالا حتماً درک بشوند

ต้องแน่ใจว่า ข้อควรระวังเรื่องความปลอดภัยข้างต้น เป็นที่เข้าใจกันดี

Yukarda belirtilen güvenlik önlemlerinin anlaşıldığından emin olunuz

Xin kiểm chắc rằng những biện pháp làm an toàn kể trên được hiểu rõ

Sunbeam's Safety Precautions

SAFETY PRECAUTIONS FOR YOUR IRON

- Do not leave a hot iron within reach of children. If they come into contact with a hot iron it could lead to serious burns.
- Iron only on an ironing board.
- An iron takes approximately 30 minutes to cool down. Allow the iron to cool completely before storing.
- Do not wind the cord around the soleplate while the iron is still hot.
- Do not leave the iron unattended while it is plugged into the power outlet.
- Always unplug the iron from the power outlet before filling or emptying the water tank.
- The iron must be used and rested on a stable surface.
- The iron is not to be used if it has been dropped, if there are visible signs of damage or if it is leaking.

Sunbeam is very safety conscious when designing and manufacturing consumer products, but it is essential that the product user also exercise care when using an electrical appliance. Listed below are precautions which are essential for the safe use of an electrical appliance:

- Read carefully and save all the instructions provided with an appliance.
- Always turn the power off at the power outlet before you insert or remove a plug. Remove by grasping the plug - do not pull on the cord.
- Turn the power off and remove the plug when the appliance is not in use and before cleaning.
- Do not use your appliance with an extension cord unless this cord has been checked and tested by a qualified technician or service person.
- Always use your appliance from a power outlet of the voltage (A.C. only) marked on the appliance.
- This appliance is not intended for use by persons (including children) with reduced physical, sensory or mental capabilities, or lack of experience and knowledge, unless they have been given supervision or instruction concerning use of the appliance by a person responsible for their safety.
- Children should be supervised to ensure that they do not play with the appliance.
- The temperature of accessible surfaces may be high when the appliance is operating.
- Never leave an appliance unattended while in use.
- Do not use an appliance for any purpose other than its intended use.
- Do not place an appliance on or near a hot gas flame, electric element or on a heated oven.
- Do not place on top of any other appliance.
- Do not let the power cord of an appliance hang over the edge of a table or bench top or touch any hot surface.
- Do not operate any electrical appliance with a damaged cord or after the appliance has been damaged in any manner. If damage is suspected, return the appliance to the nearest Sunbeam Appointed Service Centre for examination, repair or adjustment.
- For additional protection, Sunbeam recommend the use of a residual current device (RCD) with a tripping current not exceeding 30mA in the electrical circuit supplying power to your appliances.
- Do not immerse the appliance in water or any other liquid unless recommended.
- Appliances are not intended to be operated by means of an external timer or separate remote control system.
- This appliance is intended to be used in household and similar applications such as: staff kitchen areas in shops, offices and other working environments; farm houses; by clients in hotels, motels and other residential type environments; bed and breakfast type environments.

If you have any concerns regarding the performance and use of your appliance, please visit www.sunbeam.com.au or contact the Sunbeam Consumer Service Line.

Ensure the above safety precautions are understood.

Download from www.Somanuals.com. All Manuals Search And Download.

Features of your Sunbeam Ultura Iron

Powerful shot of steam

Pressing the shot of steam button instantly produces a powerful shot of steam to remove stubborn wrinkles.

Vertical shot of steam

Pressing the shot of steam button with the iron in an upright position produces a vertical shot of steam, which is ideal for steaming curtains and suits, and removing creases from delicate fabrics.

Fine spray mist

Pressing the spray button provides a fine mist spray to dampen hard-to-iron fabrics.

Water inlet

The wide water inlet allows for easy filling and features a rubber seal to prevent spilling.

Extra large, easy-fill water tank

Holds up to 280mL of water for continual high steam performance, without having to refill the tank regularly.

Maximum water level indicator

Indicates the maximum water level when the iron is in the upright position.

Full length button groove

For ironing around buttons.

Resilium® non-scratch soleplate (SR5990)

Resilium® is a durable, scratch resistant surface that provides a superior glide and prevents rucking. Exclusive to Sunbeam, this premium soleplate features 98 steam holes to maximise steam distribution.

Stainless steel soleplate (SR5880)

Sleek and smooth, stainless steel is an excellent heat conductor and is extremely durable and hard wearing. It features a quality polished finish that is easy to clean and care for.

Teflon® Platinum Pro non-stick soleplate

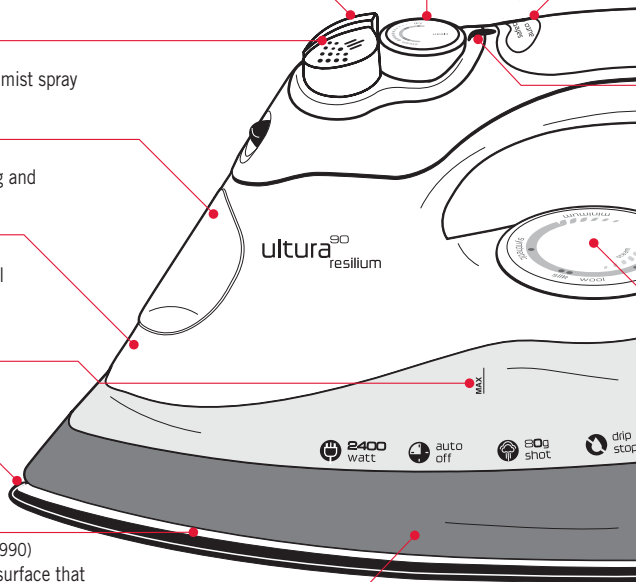
(SR5770, SR5665 & SR5560)

Teflon® Platinum Pro is DuPont's premium non-stick coating. It glides easily across all types of fabric and prevents sticking. This hard wearing surface consists of a unique three coat system for superior durability and scratch resistance. It simply wipes clean for fuss free maintenance.

2400W Fast heat up

(SR5990, SR5880 & SR5770)

Provides faster initial heat up and rapid heat recovery during ironing. The 2400 watt element better maintains your selected temperature, and provides superior shot of steam output.



Variable steam

The six-position steam dial allows you to select the desired steam output for each garment. Alternatively, select the DRY setting to iron without steam.

Removable steam valve

The steam valve is connected to the steam dial, and is removable to allow for easy cleaning. Cleaning it regularly removes scale build-up that can affect its performance.

(For instructions on how to clean the steam valve see the care and cleaning section on page 8).

Safety auto-off

The iron automatically switches itself off if left in the ironing position (horizontal) for 30 seconds, or in the heel rest position (vertical) for 15 minutes.

(For more information on the safety auto off feature see page 7).

Soft grip handle

The soft rubber grip handle allows for increased comfort during ironing.

Extra long cord with 360° cord outlet

The 360 degree cord outlet allows free movement of the cord in any direction for greater manoeuvrability when ironing. The flexible grommet protects the cord from fraying.

Power ON light

Illuminates to indicate that the iron is connected to the power outlet and the power is turned on. The power ON light doubles as the steam dial indicator.

Temperature indicator light

Align the desired setting with the temperature indicator light.

Boost light

Illuminates to indicate that the iron is heating and goes out when it has reached the temperature selected on the temperature dial. The boost light cycles on and off during ironing as the iron maintains the selected temperature.

Stable heel rest

Extra large heel rest keeps the iron stable on the ironing board.

Cord wrap facility

The built-in cord wrap facility allows you to wind the cord around the heel for neat and tidy storage of the cord when the iron is not in use.

Drip-stop steam system

The drip-stop steam system automatically stops water flowing to the steam chamber should the temperature fall too low to generate steam. This prevents dripping, even at low temperatures.

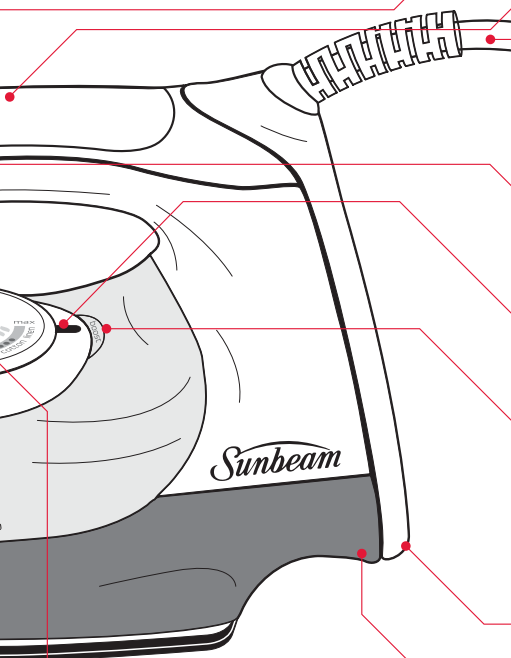


Figure 1

Temperature dial

Allows you to select the desired temperature for each garment. The adjustable temperature dial also indicates the amount of steam recommended for use on each temperature setting.

Using your Sunbeam Ultura Iron

Before first use

Remove any adhesive stickers, plastic covers or cardboard sleeves from the soleplate.

Ensure that all adhesive is removed by rubbing the soleplate with a cloth dampened with methylated spirits.

Fill the water tank and empty the water. This will rinse out any foreign particles remaining in the water tank from the manufacturing process.

NOTE: When turned on for the first time, your new iron may give off vapours for up to 10 minutes. This is due to the initial heating of the materials used. It is safe, not detrimental to the performance of the iron, and will not reoccur.

Filling the iron with water

Before filling the iron with water ensure the power is turned off and the plug is removed from the power outlet. The iron can be filled with water while it is hot.

1. Turn the STEAM/DRY dial to DRY.
2. Place the iron on its heel and open the water inlet cover.
3. Slowly pour water into the water inlet until the maximum water level is reached. Do not exceed the maximum water level indicator. Push the water inlet cover firmly to close.

NOTE: The special soleplate design allows you to use tap water with your Ultura iron without affecting the steam performance. However in very hard water areas, Sunbeam recommends the use of distilled water, or water which has been demineralised.

For best performance, we recommend the use of Sunbeam Water Demineraliser, available from Sunbeam Service Centres and selected retailers. This will produce up to 30 litres of demineralised water.

Do not fill the iron with fabric conditioner, starches or any other solution as these will damage the steam mechanism. Do not use contaminated water.

Using your iron

1. Insert the 3 pin plug into a 230/240 volt power outlet and turn the power on. The power ON light (positioned on top of the handle) will illuminate to indicate that the iron is switched on and heating.
2. Turn the temperature dial to the desired setting by aligning the setting on the dial with the temperature indicator light. The boost light will illuminate to indicate that the iron is heating to the selected temperature. When the boost light goes out the iron has reached the selected temperature and is ready to use.

NOTE: When the temperature dial is changed from a high setting to a lower temperature setting during ironing, the boost light will go out immediately. This indicates that the iron is cooling to the selected temperature. To ensure that the iron has reached the selected temperature and is not too hot, wait until the boost light comes on again and then goes out before ironing.

Dry ironing

Follow steps 1 and 2 above.

3. Select DRY on the STEAM/DRY dial. This will cut off the steam flow if there is water in the tank.

Steam ironing

Follow steps 1 and 2 above.

NOTE: When steam ironing, ensure that the temperature dial is set to any temperature within the steam band, and that the tank is at least 1/4 full of water.

4. Turn the STEAM/DRY dial to the desired steam setting.

For best results, select the steam setting that corresponds to the selected temperature, as indicated on the temperature dial.

Using your Sunbeam Ultura Iron (continued)

Using the shot of steam

The shot of steam can be used when dry or steam ironing, when the temperature dial is set to any temperature within the steam band or above the two dot (••) setting.

1. Ensure the tank is at least 1/4 full of water.
2. Select the desired temperature and wait until the boost light goes out.
3. Press the shot of steam button several times with the iron on the soleplate to prime the pump.

Note: If the tank has run dry, it may be necessary to re-prime the pump after filling the iron with water.

Using the spray mist

The spray mist can be used whether dry or steam ironing to pre-dampen hard to iron fabrics.

1. Ensure the tank is at least 1/4 full of water.
2. Press the spray button during ironing to release a fine mist from the spray nozzle.

The safety auto-off feature

The safety auto-off mechanism automatically turns the iron off if you forget.

The iron will automatically shut off if left on the heel rest (vertical) for 15 minutes, or in the ironing position (horizontal) for 30 seconds, without being moved. (See figure 2).

The safety auto-off light on the handle will illuminate and a warning beep will sound to let you know that you have left the iron unattended.

NOTE: Ultura models SR5665 and SR5560 will not produce a warning beep. The Safety auto-off light on the handle will illuminate to indicate that the auto-off function has activated.

After the iron has cut-out, the power ON light will remain illuminated, as the iron is still connected to the power outlet. Once the iron is moved, the power will reconnect. Allow the iron to heat until the boost light goes out, and continue ironing as normal.

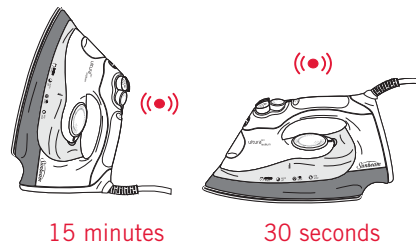


Figure 2

Care and Cleaning

After each use

- 1 Turn the STEAM/DRY dial to DRY.
- 2 Turn the power off and remove the plug from the power outlet.
- 3 Empty any remaining water from the water tank.
- 4 Allow the iron to cool before winding the cord around the built-in cord wrap.

Storage

Always store the iron on its heel rest.

NOTE: Do not store the iron with the soleplate facing down, or in the carton.

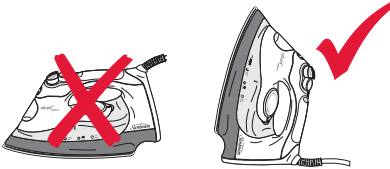


Figure 3

Cleaning

To clean the exterior of your iron, wipe over with a damp soft cloth and wipe dry.

Caution: Do not use harsh abrasives, chemical cleaners or solvents to clean the exterior of your iron as these will damage the surface.

Cleaning the removable steam valve

To remove the steam valve, turn the STEAM/DRY dial to clean, so that the steam valve pops up. Gently scrub the tip of the valve with a steel wool soap pad moistened in warm water. Rinse and dry with a clean cloth. Replace the steam valve and turn clockwise to lock into position.

Cleaning the steam holes

To remove build up from the steam holes which may affect steam performance, use a cotton wool tip moistened in methylated spirits.

Cleaning the Resilium® soleplate (SR5990)

Wipe with a soft damp cloth and wipe dry.

Cleaning the Stainless Steel soleplate (SR5880)

Using a stainless steel or metal cleaner, rub gently with a damp cloth and wipe dry.

Cleaning the Teflon® Platinum Pro non-stick soleplate

(SR5770, SR5665 & SR5560)

The non-stick coating reduces sticking of fabrics and starches to the soleplate.

Do not iron over sharp objects such as buttons, studs and zippers, as these will scratch the surface.

Wipe the soleplate with a damp soft cloth after each use. If polyester has burnt to the soleplate, iron a damp cotton cloth while hot.

Caution: Do not use scouring pads, abrasives or harsh cleaners to clean your Resilium®, Teflon® Platinum Pro, Teflon® Select or Stainless steel soleplate, as these will scratch and damage the surface.

Ultura Ironing Tips and Tricks

Tip # 27 - Iron shirts like a pro

Start with the collar, working from the outer edges into the middle. Iron the shoulder next, followed by the cuffs and sleeves. Place the collar at the narrow end of the board so that one front panel of the shirt is extended flat. Iron the front panel from shoulder to shirt tail. Rotate to iron the back of the shirt. Rotate and complete the remaining front panel.

Tip # 34 - Tips for T-shirts

Straighten seams on t-shirts before hanging out to dry. To avoid damage to printed graphics and logos turn the t-shirt inside out and iron the reverse side of the print. Never iron areas of your t-shirt where perspiration marks are visible as the heat of the iron will permanently fix the stain.

Tip # 54 - Hung out to dry

When washing is complete, remove shirts from the machine immediately, shake them out and hang them on coat hangers to air dry – this will keep wrinkles to a minimum.

Tip # 18 - Selecting the right temperature

If you are unsure of the correct setting for a particular garment, test a small area such as a seam or inside hem before ironing a visible area. Start with a low temperature and slowly increase the heat to find the best setting.

Tip # 33 - Don't be afraid to iron silk

Don't be afraid to iron silk. Although delicate in appearance, silk is the strongest and most resilient of all natural fibres. To achieve the best results, set to a low cotton setting and use regular shots of steam. Always use a pressing cloth to avoid shine marks.

Tip # 13 - Ironing the seam

Always press seams in the same direction they were made. When a garment is produced, the fibres will naturally settle in the direction they were initially pressed, so it's best not to iron against the grain.

Tip # 26 - Sort types of fabric

Sort articles to be ironed according to the type of fabric. This will reduce the need to adjust the temperature constantly. Start with articles requiring lower temperatures and work your way through to items requiring higher settings.

Tip # 2 - Summer frocks and frills

Steam is the key when ironing delicate summer fabrics such as muslin, cotton and linen. Don't press down with the iron, simply hover above the garment and steam it using a vertical shot of steam. Ruffling, netting, tulle or intricate hand detailing is also best ironed using this method.

Tip # 5 - Pressing your winter woollies

Steam is crucial when pressing your winter woollies. Woollen garments can be hung and steamed using the vertical shot of steam feature. After steaming, brush the garment with your hand to plump up woollen fibres. If ironing the garment flat it is best to use a pressing cloth. Don't be afraid to apply pressure – steam and hold.

Tip # 42 - Table settings to impress

To avoid unwanted creases always iron your table cloth after taking it out of the cupboard. A dinner party is a special occasion, so treat the table cloth as you would your own outfit. For best results, lay towels across your table and iron the table cloth over the towels. This will save you time and ensure a beautifully presented table setting.

Ironing Chart

FABRIC	TEMPERATURE SETTING	IRONING RECOMMENDATION
Acrylic	•	Dry iron on wrong side.
Acetate	•	Dry iron on wrong side while still damp or use spray to dampen.
Nylon	•	Iron on wrong side while still damp or use spray to dampen.
Polyester	•	Iron on wrong side while still damp or use spray to dampen.
Rayon	•	Iron on wrong side of fabric.
Viscose	•	Mainly dry iron. Steam can be used under manufacturer's instructions.
Silk	••	Iron on wrong side. Use an ironing cloth to prevent shine marks.
Wool	••	Steam iron on wrong side or use an ironing cloth.
Wool Blends	••	Steam iron on wrong side or use an ironing cloth.
Cotton Blends	••	Check label and follow manufacturer's instructions. Use setting for the fibre requiring the lowest setting.
Corduroy	•••	Steam iron on wrong side or use an ironing cloth and brush to raise the pile.
Cotton	•••	Dry iron while still damp or use spray to dampen. Use steam medium to high.
Linen	••• To MAX	Iron on wrong side or use an ironing cloth to prevent shine marks, especially with dark colours. Dry iron while still damp or use spray to dampen. Use steam medium to high.
Denim	••• To MAX	Use maximum steam.

2 Year Replacement Guarantee

In the unlikely event that this appliance develops any malfunction within 2 years of purchase (3 months commercial use) due to faulty materials or manufacture, we will replace it for you free of charge.

Should you experience any difficulties with your appliance, please phone our customer service line for advice on 1300 881 861 in Australia, or 0800 786 232 in New Zealand. Alternatively, you can send a written claim to Sunbeam at the address listed below. On receipt of your claim, Sunbeam will seek to resolve your difficulties or, if the appliance is defective, advise you on how to obtain a replacement or refund.

Your Sunbeam 2 Year Replacement Guarantee naturally does not cover misuse or negligent handling and normal wear and tear.

Similarly your 2 Year Replacement Guarantee does not cover freight or any other costs incurred in making a claim. Please retain your receipt as proof of purchase.

The benefits given to you by this guarantee are in addition to your other rights and remedies under any laws which relate to the appliance.

Our goods come with guarantees that cannot be excluded under the Australian Consumer Law and under the New Zealand Consumer Guarantees Act.

In Australia you are entitled to a replacement or refund for a major failure and for compensation for any other reasonably foreseeable loss or damage. You are also entitled to have the goods repaired or replaced if the goods fail to be of acceptable quality and the failure does not amount to a major failure.

Should your appliance require repair or service after the guarantee period, contact your nearest Sunbeam service centre.

For a complete list of Sunbeam's authorised service centres visit our website or call:

Australia

www.sunbeam.com.au

1300 881 861

Units 5 & 6, 13 Lord Street
Botany NSW 2019 Australia

New Zealand

www.sunbeam.co.nz

0800 786 232

26 Vestey Drive, Mt Wellington
Auckland, New Zealand

Need help with your appliance?

Contact our customer service team or visit our website for information and tips on getting the most from your appliance.

In Australia

Visit www.sunbeam.com.au

Or call 1300 881 861

In New Zealand

Visit www.sunbeam.co.nz

Or call 0800 786 232

 is a registered trademark.

'Ultura' and 'Resilium' are registered trademarks of Sunbeam Corporation.

'Teflon' is a registered trademark of DuPont.

Designed and engineered in Australia

Made in China.

Due to minor changes in design or otherwise, the product may differ from the one shown in this leaflet.

© Copyright. Sunbeam Corporation Limited 1999, 2002, 2007.

ABN 45 000 006 771

Units 5 & 6, 13 Lord Street

Botany NSW 2019 Australia

Unit 3, Building D

26 Vestey Drive

Mt Wellington Auckland

New Zealand

Sunbeam Corporation is a division of GUD Holdings Ltd.

Free Manuals Download Website

<http://myh66.com>

<http://usermanuals.us>

<http://www.somanuals.com>

<http://www.4manuals.cc>

<http://www.manual-lib.com>

<http://www.404manual.com>

<http://www.luxmanual.com>

<http://aubethermostatmanual.com>

Golf course search by state

<http://golfingnear.com>

Email search by domain

<http://emailbydomain.com>

Auto manuals search

<http://auto.somanuals.com>

TV manuals search

<http://tv.somanuals.com>