

## WARRANTY INFORMATION

### SERVICE INSTRUCTIONS

- DO NOT attempt to repair or adjust any electrical or mechanical functions on this unit. Doing so will void the warranty.
- If you have any questions regarding this unit's operation or believe any repair is necessary, please write to our Consumer Service Department.
- If you need to exchange the unit, please return it in its original carton, with a sales receipt, to the store where you purchased it. If you are returning the unit more than 30 days after the date of purchase, please see the enclosed warranty.
- If you have any other questions or comments, see our correspondence below or visit our website at [www.holmesproducts.com](http://www.holmesproducts.com).

SUNBEAM PRODUCTS, INC. D/B/A JARDEN CONSUMER SOLUTIONS  
303 NELSON AVENUE  
NEOSHO, MO 64850

For your own records, staple or attach your sales receipt to this manual. Also, please take a moment to write the store name/location and date purchase below.

STORE NAME: \_\_\_\_\_

LOCATION: \_\_\_\_\_

DATE PURCHASED: \_\_\_\_\_

(STAPLE RECEIPT HERE)

## WARRANTY INFORMATION

### 3 YEAR LIMITED WARRANTY

Sunbeam Products, Inc. d/b/a Jarden Consumer Solutions or if in Canada, Sunbeam Corporation (Canada) Limited doing business as Jarden Consumer Solutions (collectively "JCS") warrants that for a period of three years from the date of purchase, this product will be free from defects in material and workmanship. JCS, at its option, will repair or replace this product or any component of the product found to be defective during the warranty period. Replacement will be made with a new or remanufactured product or component. If the product is no longer available, replacement may be made with a similar product of equal or greater value. This is your exclusive warranty. Do NOT attempt to repair or adjust any electrical or mechanical functions on this product. Doing so will void this warranty.

This warranty is valid for the original retail purchaser from the date of initial retail purchase and is not transferable. Keep the original sales receipt. Proof of purchase is required to obtain warranty performance. JCS dealers, service centers, or retail stores selling JCS products do not have the right to alter, modify or any way change the terms and conditions of this warranty.

This warranty does not cover normal wear of parts or damage resulting from any of the following: negligent use or misuse of the product, use on improper voltage or current, use contrary to the operating instructions, disassembly, repair or alteration by anyone other than JCS or an authorized JCS service center. Further, the warranty does not cover: Acts of God, such as fire, flood, hurricanes and tornadoes.

#### What are the limits on JCS's Liability?

JCS shall not be liable for any incidental or consequential damages caused by the breach of any express, implied or statutory warranty or condition.

Except to the extent prohibited by applicable law, any implied warranty or condition of merchantability or fitness for a particular purpose is limited in duration to the duration of the above warranty.

JCS disclaims all other warranties, conditions or representations, express, implied, statutory or otherwise.

JCS shall not be liable for any damages of any kind resulting from the purchase, use or misuse of, or inability to use the product including incidental, special, consequential or similar damages or loss of profits, or for any breach of contract, fundamental or otherwise, or for any claim brought against purchaser by any other party.

Some provinces, states or jurisdictions do not allow the exclusion or limitation of incidental or consequential damages or limitations on how long an implied warranty lasts, so the above limitations or exclusion may not apply to you.

This warranty gives you specific legal rights, and you may also have other rights that vary from province to province, state to state or jurisdiction to jurisdiction.

#### How to Obtain Warranty Service

##### In the U.S.A.

If you have any question regarding this warranty or would like to obtain warranty service, please call 1-800-546-5637 and a convenient service center address will be provided to you.

##### In Canada

If you have any question regarding this warranty or would like to obtain warranty service, please call 1-800-546-5637 and a convenient service center address will be provided to you.

In the U.S.A., this warranty is offered by Sunbeam Products, Inc d/b/a Jarden Consumer Solutions located in Boca Raton, Florida 33431. In Canada, this warranty is offered by Sunbeam Corporation (Canada) Limited doing business as Jarden Consumer Solutions, located at 5975 Falbourne Street, Mississauga, Ontario L5R 3V8. If you have any other problem or claim in connection with this product, please write our Consumer Service Department. **PLEASE DO NOT RETURN THIS PRODUCT TO ANY OF THESE ADDRESSES OR TO THE PLACE OF PURCHASE.**

9100010008653

HT3806EM1

Printed In China

# Holmes®

## Owner's Guide

HT38



# Slim Profile Tower Fan

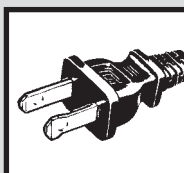
**PLEASE READ AND SAVE THESE IMPORTANT INSTRUCTIONS**

## PLEASE READ AND SAVE THESE IMPORTANT SAFETY INSTRUCTIONS

Thank you for purchasing this Holmes® product. We understand the value of quality and are committed to making superior products that stand the test of time. We trust this product will exceed your expectations of quality and reliability. We hope that you enjoy this product and will consider purchasing another Holmes® product in the future. To see our full product line or if you have any questions or comments about this product, please visit our website at: [www.holmesproducts.com](http://www.holmesproducts.com).

When using electrical appliances, basic safety precautions should always be taken including the following:

1. Read all instructions before using this appliance.
2. Use fan only for purposes described in the instruction manual.
3. To protect against electrical shock do not immerse unit, plug or cord in water or spray with liquids and plug the appliance directly into a 120V AC electrical outlet.
4. Close supervision is necessary when any appliance is used by or near children.
5. Unplug from outlet when not in use, when moving fan from one location to another, before putting on or taking off parts and before cleaning.
6. Avoid contact with moving parts.
7. Do not operate in the presence of explosive and/or flammable fumes.
8. To avoid fire hazard, NEVER place the cord under rugs or any parts near an open flame, cooking or other heating appliance.
9. Do not operate any appliance with a damaged cord or plug after the appliance malfunctions, or has been dropped/damaged in any manner.
10. The use of attachments not recommended or sold by the appliance manufacturer may cause hazards.
11. Do not let the cord hang over the edge of a table, counter or come in contact with hot surfaces or leave exposed to high traffic areas.
12. Do not use outdoors.
13. To disconnect, grip plug and pull from wall outlet. Never yank on cord.
14. Always use on a dry, level surface.
15. Do not operate fan until fully assembled with all parts properly in place.
16. This product is intended for household use ONLY and not for commercial or industrial applications.
17. WARNING: To reduce the risk of electrical shock and injury to persons, do not use in window.
18. WARNING: To reduce the risk of fire or electric shock, DO NOT use this fan with any solid-state speed control device.



**THIS APPLIANCE HAS A POLARIZED PLUG (one blade is wider than the other). To reduce the risk of electric shock, this plug is intended to fit in a polarized outlet only one way. If the plug does not fit fully in the outlet, reverse the plug. If it still does not fit, contact a qualified electrician to install the proper outlet.**

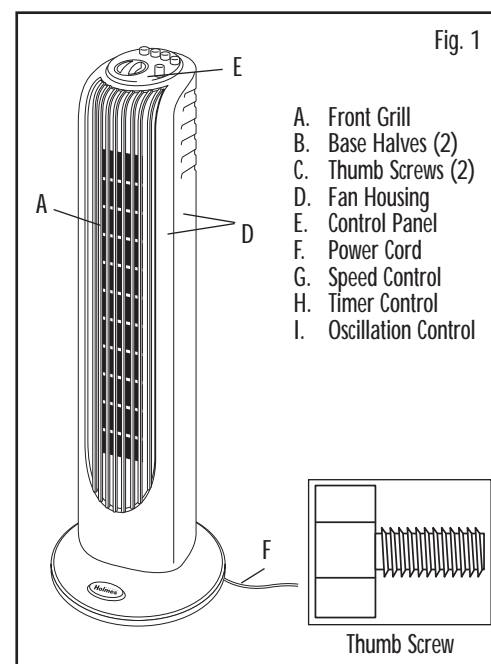
**DO NOT ATTEMPT TO MODIFY THIS PLUG OR DEFEAT THIS SAFETY FEATURE IN ANY WAY.**

## FEATURES - OPERATIONS

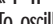






### PLEASE READ AND SAVE THESE IMPORTANT SAFETY INSTRUCTIONS

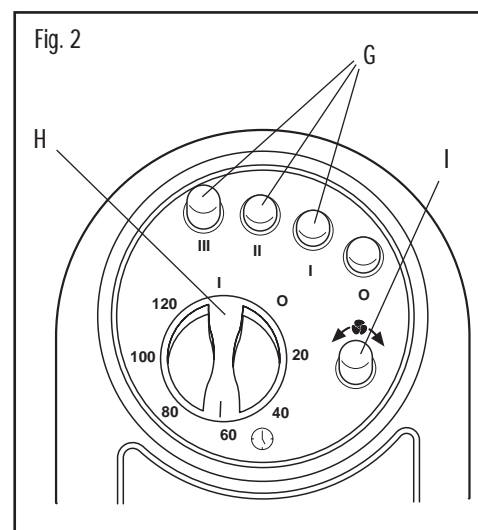
#### ASSEMBLY INSTRUCTIONS

1. Assemble Base Halves around the cord. Refer to Fig 3.
2. Secure assembled base to the Fan Housing with two thumb screws.
3. Secure Power Cord as shown in Fig 4 & 5.



#### OPERATING INSTRUCTIONS

1. Set the fan on a dry level surface.
2. Plug cord into any standard 120V AC outlet.
3. To turn the fan on, press the desired SPEED button « I II III » on the Control Panel.
4. To oscillate the fan head, press the OSCILLATION button «  » on the Control Panel. Press a second time to stop oscillation. To turn the fan off, push the off button «  ».
5. To activate the timer feature turn the Timer Control «  » clockwise to your desired duration (0-120 minutes). For continuous running turn the Timer Control «  » to « I ». To turn the fan off, turn the Timer Control «  » to «  » or push the off button «  » on the control panel.



## CLEANING/MAINTENANCE INSTRUCTIONS

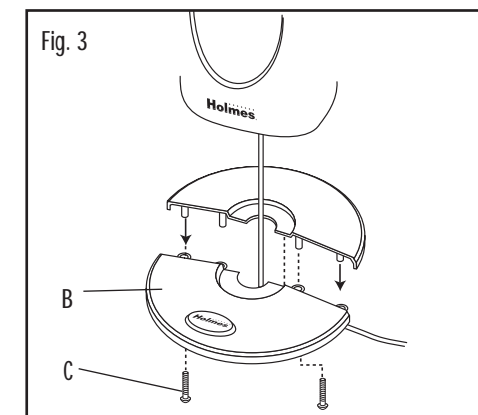
#### CLEANING/MAINTENANCE INSTRUCTIONS

Follow these instructions to correctly and safely care for your Tower Fan. Please remember:

- Always unplug the fan before cleaning.
- Clean the fan with a soft cloth moistened with a mild soap solution.
- Do not allow water to drip on or into the fan motor housing.
- Do not use any of the following as a cleaner: gasoline, thinner, benzene.
- We also recommend the periodic cleaning of this fan by lightly running a vacuum cleaner nozzle over the fan grill to remove any dust or dirt that may have accumulated inside or on the unit.

#### Fan Head and Base Cleaning

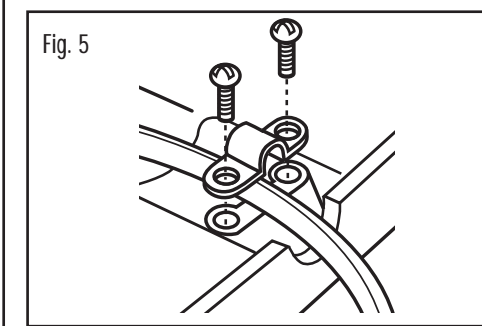
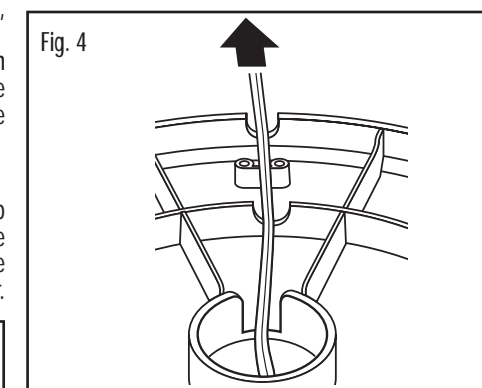
Using a soft, moist cloth, with or without a mild soap solution, carefully clean the fan base and head. Please use caution around the motor housing area. Do not allow the motor or other electrical components to be exposed to water.



#### FAN STORAGE

In the off-season, it is important to keep your fan in a safe, dry location.

- We recommend using the original (or appropriately sized) box.
- Please remember to protect the fan from dust or moisture.



## Free Manuals Download Website

<http://myh66.com>

<http://usermanuals.us>

<http://www.somanuals.com>

<http://www.4manuals.cc>

<http://www.manual-lib.com>

<http://www.404manual.com>

<http://www.luxmanual.com>

<http://aubethermostatmanual.com>

Golf course search by state

<http://golfingnear.com>

Email search by domain

<http://emailbydomain.com>

Auto manuals search

<http://auto.somanuals.com>

TV manuals search

<http://tv.somanuals.com>