

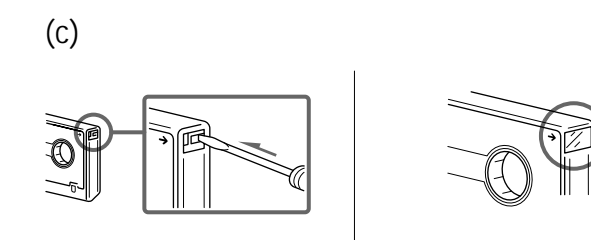
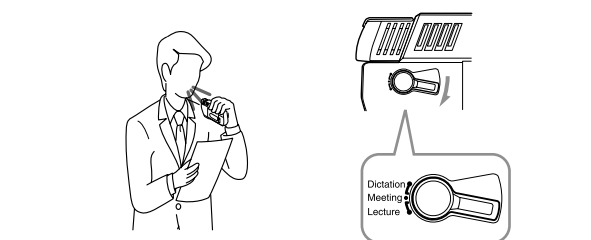
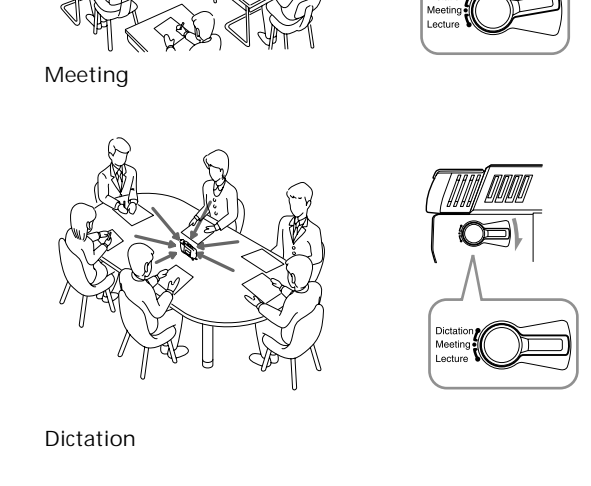
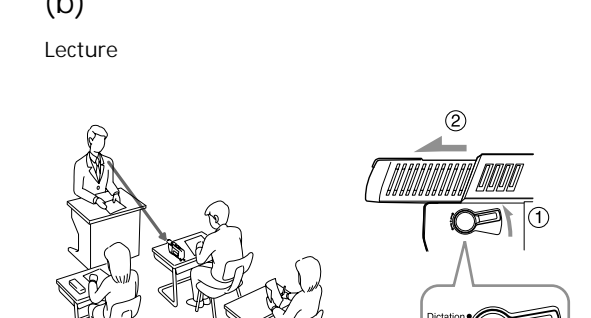
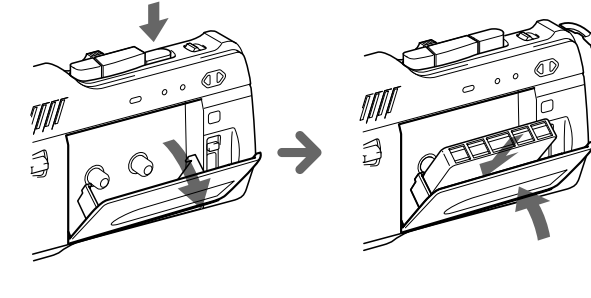
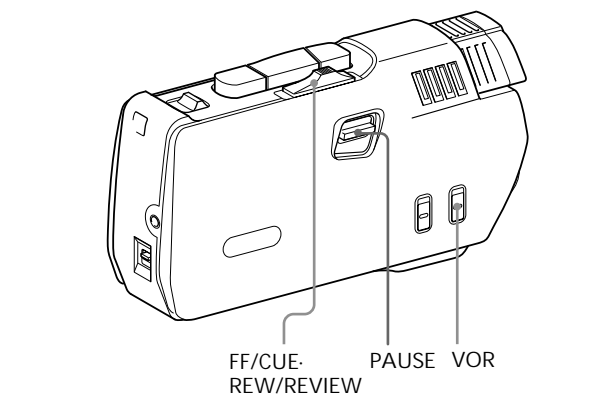
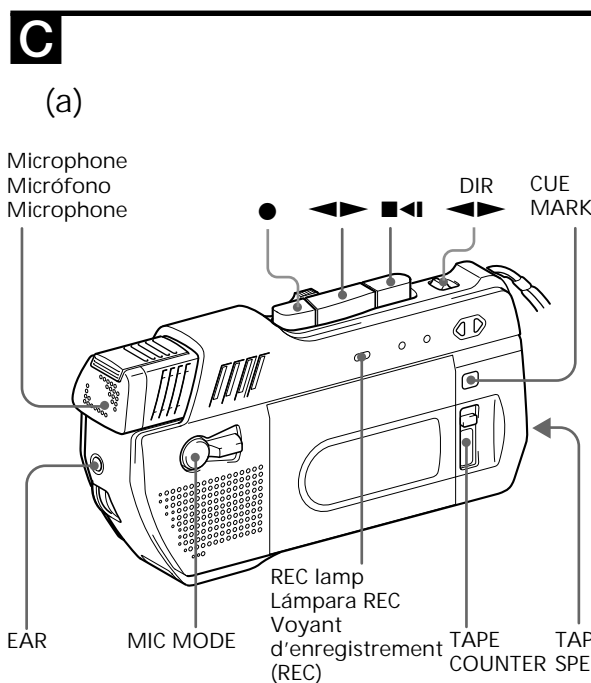
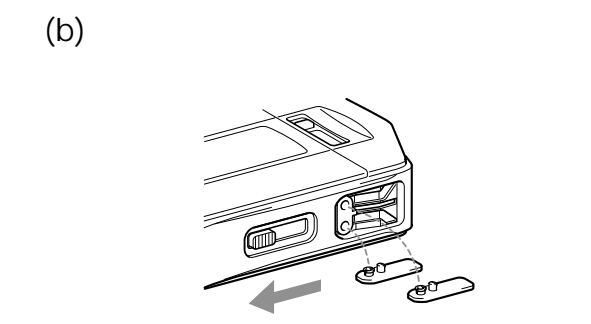
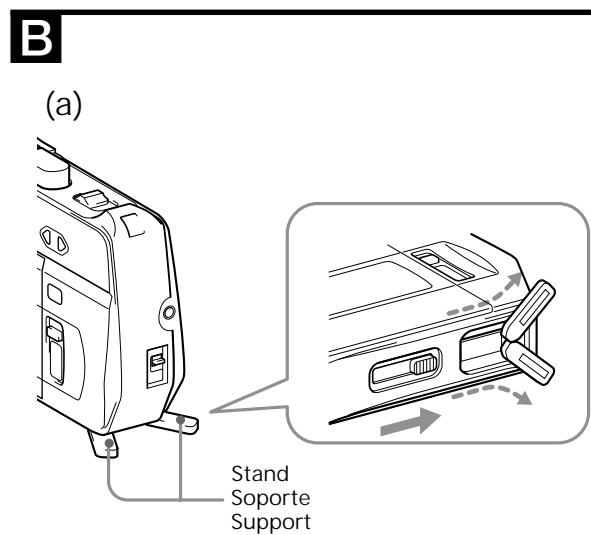
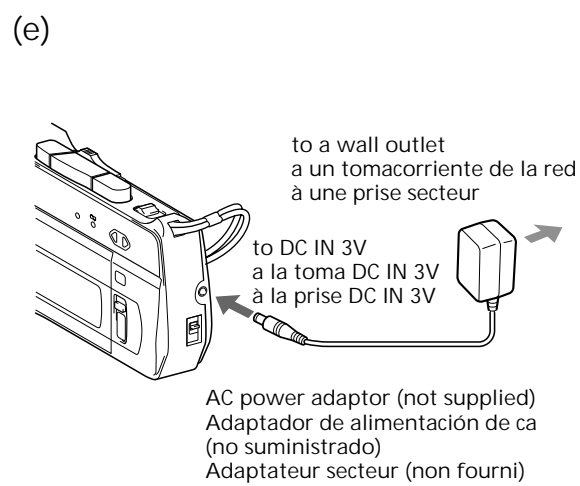
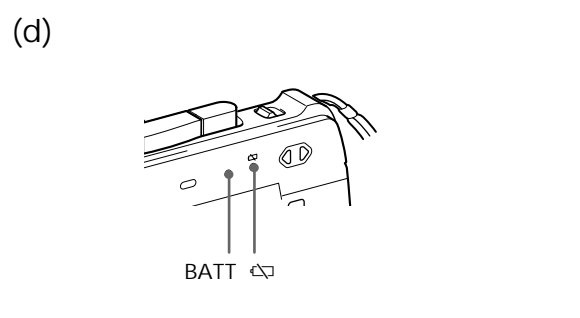
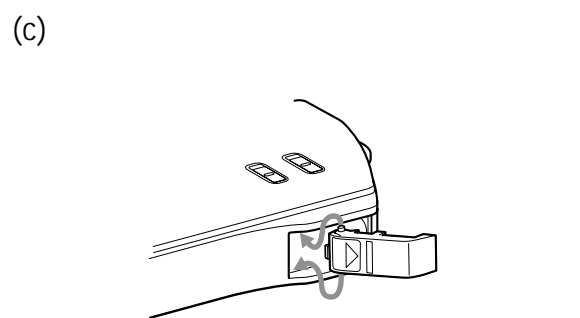
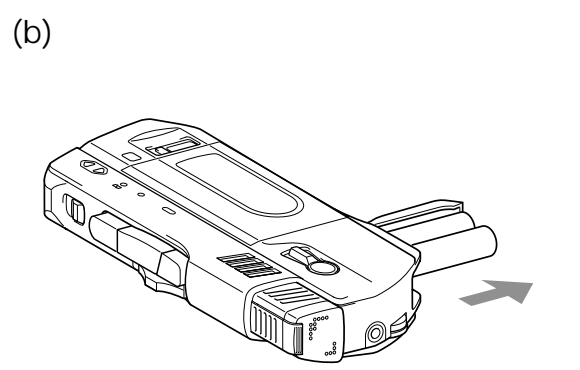
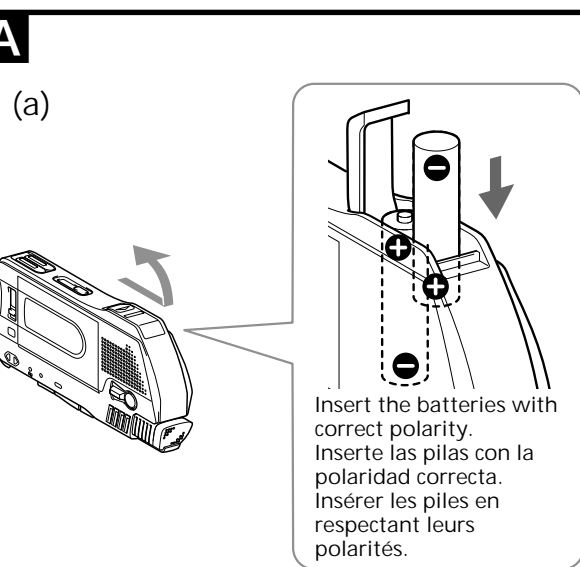
Microcassette™ - Corder

Operating Instructions
Manual de instrucciones
Mode d'emploi

M-200MC

Sony Corporation ©2001 Printed in China

http://www.sony.net/



For the customers in the U.S.A.

Owner's Record

The model number is located at the bottom and the serial number is located inside the cassette holder. Record these numbers in the spaces provided below. Refer to these numbers whenever you call upon your Sony dealer regarding this product.

Model No. M-200MC Serial No. _____

Please register this product on line at www.sony.com/productregistration
<<http://www.sony.com/productregistration>>

Proper registration will enable us to send you periodic mailings about new products, services, and other important announcements. Registering your product will also allow us to contact you in the unlikely event that the product needs adjustment or modification. Thank you.

You are cautioned that any changes or modifications not expressly approved in this manual could void your authority to operate this equipment.

Preparing Power Sources

Choose one of the following power sources.

Dry Batteries (see Fig. A-(a))

- Make sure that nothing is connected to the DC IN 3V jack.
- 1 Open the battery compartment lid.
- 2 Insert two R03 (size AAA) batteries with correct polarity and close the lid.

To take out the batteries (see Fig. A-(b))

If the battery compartment lid is accidentally detached (see Fig. A-(c))
Attach it as illustrated.

When to replace the batteries (see Fig. A-(d))
Replace the batteries with new ones when the BATT lamp goes off and the ♫ lamp flashes.

Notes

- The unit will play back normally for a while, even after the ♫ lamp flashes. However, replace the batteries as soon as you can. If not, the playback cannot be made with normal sound, noise may be recorded and the recorded sound will not be loud enough.
- The ♫ lamp flashes to indicate battery replacement during playback, recording and pause (during paused by VOR function also).
- In the following cases you do not need to replace the batteries:
 - If the BATT lamp flashes with the playback sound when you turn up the volume.
 - If the ♫ lamp lights momentarily when the tape starts running or at the end of the tape.
 - If the ♫ lamp flashes during FF/CUE or REW/REVIEW.

Battery life (Approx. hours)

Batteries	Recording	(JEITA*)
Sony alkaline LR03 (SC)	9	
Sony manganese R03 (SB)	3	

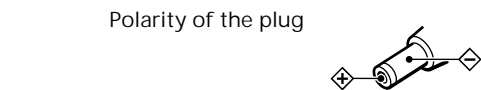
* Measured valued by the standard of JEITA (Japan Electronics and Information Technology Industries Association) (Using a Sony Microcassette)

Note

The battery life may shorten depending on the operation of the unit.

House current (see Fig. A-(e))

Connect the AC power adaptor to DC IN 3V and to a wall outlet. Use the AC-E30HG AC power adaptor (not supplied). Do not use any other AC power adaptor.



Note

Specifications for AC-E30HG vary for each area. Check your local voltage and the shape of plug before purchasing.

How to use the stands (see Fig. B)

You can use the stands to keep the unit upright. (see Fig. B-(a))

To attach the stand if it is accidentally detached (see Fig. B-(b))
Align the stands with the holes and press them firmly in.

Recording (see Fig. C-(a))

- Press the reset button of the TAPE COUNTER.

Note

The number in the tape counter will increase when playing back the forward side, and decrease when playing back the reverse side.

- Press ■◀ and insert a standard microcassette.

Note

Make sure the tab on the side you want to record on is not removed.

To record on both sides
Place the tape with the side to start recording facing the cassette compartment lid.

To record on a single side
Place the tape with the side to be recorded facing the unit.

- Set TAPE SPEED to select the desired tape speed.

2.4 cm for optimum sound (recommended for normal use):
A 30-minute recording can be made using both sides of the MC-30 microcassette.

1.2 cm for longer recording time: A 60-minute recording can be made using both sides of the MC-30 microcassette.

- Choose recording sides.

To record on both sides
Slide DIR so that the FWD indicator turns green.

Recording will start from the side facing the cassette holder window (forward side) and switches automatically to the reverse side at the end of the side (Auto Reverse).

To record on a single side
Slide DIR so that the REV indicator turns green.

Recording will start from the side facing the unit (reverse side).

Note

Make sure the tab on the reverse side is not removed.

- Set MIC MODE to select the sensitivity and directivity of the microphone (see "Using the MIC MODE selector").

Lecture: to record the sounds from where the unit is aiming (Super-directional). It is useful to record during a lecture. If you set MIC MODE to Lecture, the microphone will come out.

Meeting: to record at meetings or in a quiet or spacious place (omni-directional).

Dictation: to record for dictation or in a noisy place (uni-directional).

- Set VOR to ON or OFF.
If you set VOR to ON, the unit automatically starts recording the sound and pauses when there is no sound (you can save tapes and batteries). When the sound is not loud enough, set it to OFF, or the unit may not start recording.
- Press ●
Recording starts. While the tape runs, the REC lamp lights and flashes depending on the strength of the sound.

At the end of the reverse side, recording stops and the unit turns off automatically.

To	Press or slide
Stop recording	■◀
Start recording during playback	● during playback (the unit becomes in the recording mode) The REC lamp lights.
Review the portion just recorded	Slide FF/CUE-REW/REVIEW toward REW/REVIEW during the recording. Release it at the point to start playback.
Pause recording	Slide PAUSE in the direction of the arrow. The REC and BATT lamps go off. To release pause recording, slide PAUSE in the opposite direction.
Take out a cassette	■◀

Note

Select the 2.4 cm/s tape speed for recording, if you play back the recorded tape with another unit. Otherwise, the sound quality may be changed.

Notes on recording sides

- When recording on both sides, recording will not be made for a few seconds while the tape is switching sides.
- When you open the cassette holder, the direction of the tape is reset to the forward side.
- The DIR switch cannot be used during recording.

Notes on VOR (Voice Operated Recording)

- The VOR system depends on the environmental conditions. If you cannot get the desired results, set VOR to OFF.
- When you use VOR in a noisy place, the unit will stay in the recording mode. If the sound is too soft, on the contrary, the unit will not start recording.

Using the MIC MODE selector (see Fig. C-(b))

The sensitivity and directivity of the microphone vary depending on its position. Set MIC MODE to the optimum position for the recording situation.

Lecture

Super-directional: For recording comparatively distant sounds.

Meeting

Omi-directional: For recording sound in all directions around the microphone.

Dictation

Uni-directional: For recording only sounds near and directly facing the microphone. Sounds behind the microphone are not detected.

Notes

- If you set MIC MODE to Lecture, the microphone will come out. Aim the microphone at where the sounds come from. After use, push back the microphone if necessary. Even if you leave the microphone out, however, you can still record with MIC MODE set to Meeting or Dictation.
- The microphone on this unit is not fixed firmly and maybe unstable, but this is to absorb the vibration of the unit and to prevent the microphone from picking up noise.

To monitor the sound

Connect an earphone (not supplied) to EAR jack. The monitor volume cannot be adjusted by VOL.

To prevent a cassette from being accidentally recorded over (see Fig. C-(c))
Break out and remove the cassette tabs. To reuse the cassette for recording, cover the tab hole with adhesive tape.

Recording cue markers

While recording, you can record a special signal on the tape to mark a specific position.

At the desired position, push CUE MARKER to record a signal. The REC lamp flashes for a while and a signal will be recorded on the tape. If you want to record a signal longer than that, push CUE MARKER as long as you want.

During cue and review, you will hear the beep sound at the signal position. During playback with the headphones plugged in, you will hear the signal with low frequency.

Notes

We recommend recording cue markers when there is a break in the sound.

- During cue and review, the beep sounds differently.
- The beep may sound differently depending on the marked position on the tape because the winding speed varies from the beginning to the end of the tape.
- When recording with the MIC MODE selector set to Lecture, there might be some sound distortion where the cue marker is inserted.

Recording (see Fig. C-(a))

- Press the reset button of the TAPE COUNTER.

Note

The number in the tape counter will increase when playing back the forward side, and decrease when playing back the reverse side.

- Press ■◀ and insert a standard microcassette.

Note

Make sure the tab on the side you want to record on is not removed.

To record on both sides
Place the tape with the side to start recording facing the cassette compartment lid.

To record on a single side
Place the tape with the side to be recorded facing the unit.

- Set TAPE SPEED to select the desired tape speed.

2.4 cm for optimum sound (recommended for normal use):
A 30-minute recording can be made using both sides of the MC-30 microcassette.

1.2 cm for longer recording time: A 60-minute recording can be made using both sides of the MC-30 microcassette.

- Choose recording sides.

To record on both sides
Slide DIR so that the FWD indicator turns green.

Recording will start from the side facing the cassette holder window (forward side) and switches automatically to the reverse side at the end of the side (Auto Reverse).

To record on a single side
Slide DIR so that the REV indicator turns green.

Recording will start from the side facing the unit (reverse side).

Note

Make sure the tab on the reverse side is not removed.

- Set MIC MODE to select the sensitivity and directivity of the microphone (see "Using the MIC MODE selector").

Lecture: to record the sounds from where the unit is aiming (Super-directional). It is useful to record during a lecture. If you set MIC MODE to Lecture, the microphone will come out.

Meeting: to record at meetings or in a quiet or spacious place (omni-directional).

Dictation: to record for dictation or in a noisy place (uni-directional).

Nombre del producto : Migrabadora Portail
Modelo : M-200MC

POR FAVOR LEA DETALLADAMENTE ESTE MANUAL DE INSTRUCCIONES ANTES DE CONECTAR Y OPERAR ESTE EQUIPO.

RECUERDE QUE UN MAL USO DE SU APARATO PODRÍA ANULAR LA GARANTÍA.

Preparación de las fuentes de alimentación

Elija una de las fuentes de alimentación siguientes.

Pilas (consulte la fig. A-(a))

Cerórese de que no haya nada conectado a la toma DC IN 3V.

- 1 Abra la tapa del compartimento de las pilas.
- 2 Inserte dos pilas R03 (tamaño AAA) con la polaridad correcta y cierre la tapa.

Para extraer las pilas (consulte la fig. A-(b))

Si la tapa del compartimento de las pilas se desprende accidentalmente (consulte la fig. A-(c))
Fíjela como se muestra en la ilustración.

Cuando reemplazar las pilas (consulte la fig. A-(d))

Reemplace las pilas por otras nuevas cuando la lámpara BATT se apague y parpadee la lámpara ♫.

Notas

- La unidad reemplazará normalmente durante cierto tiempo, incluso aunque parpadee la lámpara ♫ Sin embargo, reemplace las pilas lo antes posible. En caso contrario, la reproducción no podrá realizarse con el sonido normal, podrá grabarse ruido, y 1 sonido grabado no tendrá el nivel de volumen suficiente.
- La lámpara ♫ parpadeará para indicar que habrá que reemplazar las pilas durante la reproducción, la grabación, y el modo de pausa (también durante la pausa activada con la función VOR).
- En los casos siguientes no necesitará reemplazar las pilas:
 - Si la lámpara BATT parpadea con el sonido de reproducción cuando aumente el volumen.
 - Si la lámpara ♫ parpadea momentáneamente cuando la cinta comience a moverse o cuando finalice.
 - Si la lámpara ♫ parpadea durante los modos de avance rápido/localización progresiva (FF/CUE) o rebobinado/localización regresiva (REW/REVIEW).

Duración de las pilas (horas aproximadas)

Pilas	Grabación	(JEITA*)
Alcalinas LR03 (SC) Sony	9	
De manganeso R03 (SB)	3	

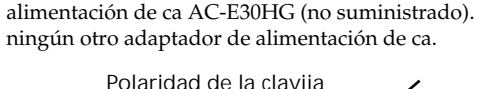
* Valor medio mediante las normas de JEITA (Japan Electronics and Information Technology Industries Association) (utilizando un microcassete Sony).

Note

La duración de las pilas puede acortarse dependiendo de la forma de utilización de la unidad.

Corriente de la red (consulte la fig. A-(e))

Conecte el adaptador de alimentación de ca en DC IN 3V y en un tomacorriente de la red. Utilice un adaptador de alimentación de ca AC-E30HG (no suministrado). No use ningún otro adaptador de alimentación de ca.



Note

Las especificaciones del AC-E30HG varían con cada zona. Antes de la adquisición, compruebe la tensión de la red local y la forma de la clavija.

Forma de utilizar los soportes (consulte la fig. B)

Usted podrá utilizar los soportes para mantener vertical la unidad. (consulte la fig. B-(a))

Para fijar los soportes si se desprenden accidentalmente (consulte la página B-(b))
Alineélos con los orificios y presínelos firmemente hacia adentro.

Grabación (consulte la fig. C-(a))

- Presione el botón de reposición de TAPE COUNTER.

Note

El número del contador de la cinta aumentará cuando reproduzca la cara frontal, y disminuirá cuando reproduzca la cara posterior.

- Presione ■◀ e inserte un microcassete estándar.

Note

Cerórese de que no está extrada la lengüeta de la cara que desea reproducir.

Para grabar en ambas caras
Coloque el microcassete con la cara que desea grabar hacia la tapa del compartimento del mismo.

Para grabar en una sola cara
Coloque el microcassete con la cara que desea grabar hacia la unidad.

- Ajuste TAPE SPEED para seleccionar la velocidad de cinta deseada.

2.4 cm para obtener el óptimo sonido (se recomienda para la utilización normal): Utilizando ambas caras de una microcassete MC-30 podrá grabar durante 30 minutos.

1.2 cm para poder grabar durante más tiempo: Utilizando ambas caras de una microcassete MC-30 podrá grabar durante 60 minutos.

- Elija la(s) cara(s) en la(s) que desea grabar.

Para grabar en ambas caras
Deslice DIR de forma que el indicador FWD se vuelva verde.

La grabación se iniciará desde la cara situada hacia la ventanilla del portacasete (cara frontal) y cambiará automáticamente a lo cara posterior al finalizar la frontal (Inversión automática).

Para grabar en una sola cara
Deslice DIR de forma que el indicador REV se vuelva verde.

La grabación se iniciará desde la cara situada hacia la unidad (cara posterior).

Note

Cerórese de que la lengüeta de la cara posterior no esté extraída.

- Ajuste MIC MODE para seleccionar la sensibilidad y la selectividad del micrófono (consulte "Utilización del selector MIC MODE").

Lecture (Clase): para grabar sonido cuando la unidad esté apuntando hacia la fuente del mismo (superdireccional). Esto será muy útil para grabar durante una clase. Si ajusta MIC MODE a Lecture, el micrófono saldrá.

Meeting (Reunión): para grabar en reuniones o en un lugar silencioso o espacioso (omnidireccional).

Dictation (Dictado): para grabar un dictado en un lugar ruidoso (unidireccional).

- Ajuste VOR a ON u OFF.
Si ajusta VOR a ON, la unidad iniciará automáticamente la grabación del sonido y entrará en el modo de pausa cuando no haya sonido (usted ahorrará cinta y pilas). Cuando el sonido no sea suficientemente fuerte, ajústelo a OFF, o la unidad puede no iniciar la grabación.
- Presione ●
Se iniciará la grabación. Mientras la cinta esté moviéndose, la lámpara REC se encenderá y parpadeará dependiendo del nivel del sonido.

Al final de la cara posterior, la grabación se parará y la alimentación de la unidad se desconectará automáticamente.

Para	Haga lo siguiente
Parar la grabación	Presione: ■◀
Iniciar la grabación durante la reproducción	Presione: ● Durante la reproducción (la unidad entrará en el modo de grabación). La lámpara REC se encenderá.
Revisar la parte recién grabada	Deslice FF/CUE-REW/REVIEW hacia REW/REVIEW durante la grabación. Súdelo en el punto en el que desea iniciar la reproducción.
Realizar una pausa en la grabación	Deslice PAUSE en el sentido de la flecha. Las lámparas REC y BATT se encenderán. Para desactivar el modo de grabación en pausa, deslice PAUSE en sentido opuesto.
Extraer el microcassete	Presione: ■◀

Note

Seleccione la velocidad de grabación de 2.4 cm/s si piensa reproducir la cinta grabada en otra unidad. De lo contrario, la calidad del sonido podría cambiar.

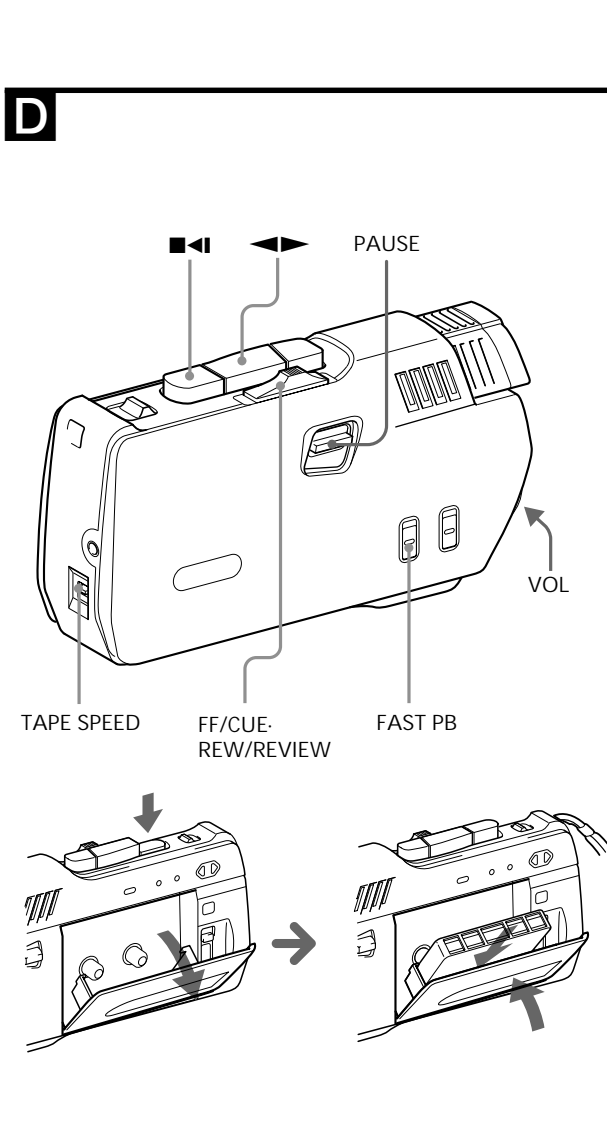
Notas sobre las caras de grabación

- Quando grabe en ambas caras, la grabación no se realizará durante algunos segundos durante el cambio de cara.
- Si abre el portacasete, la cara se repondrá a la frontal.
- Durante la grabación no podrá utilizarse el selector DIR.

Notas sobre VOR (Grabación controlada con la voz)

- El sistema VOR depende de las condiciones ambientales. Si no puede obtener los resultados deseados, ajuste VOR a OFF.
- Cuando utilice VOR en un lugar ruidoso, la unidad permanecerá en el modo de grabación. Al contrario, si el sonido es demasiado bajo, la unidad no iniciará la grabación.

Utilización del selector MIC MODE (consulte



Playing a Tape (see Fig. D)

- 1 Insert a cassette with the side to start playing facing the lid.
- 2 Select the tape speed to the same speed as that used for recording.
- 3 Press
- 4 Adjust the volume.

At the end of the reverse side, playback stops and the unit turns off automatically.
If you plug in headphones (not supplied) to the EAR jack, you will get monaural output from both left and right channels.

To	Press or slide
Stop playback/stop fast forward or rewind	
Pause playback	Slide PAUSE in the direction of the arrow. The BATT indicator goes off. <i>To release pause playback, slide PAUSE in the opposite direction.</i>
Play back only the reverse side	Slide DIR so that the REV indicator turns green and press
Fast forward**	Slide FF/CUE-REW/REVIEW toward FF/CUE during stop.
Rewind**	Slide FF/CUE-REW/REVIEW toward REW/REVIEW during stop.
Search forward during playback (CUE)	Keep FF/CUE-REW/REVIEW sliding toward FF/CUE during playback and release it at the point you want.
Search backward during playback (REVIEW)	Keep FF/CUE-REW/REVIEW sliding toward REW/REVIEW during playback and release it at the point you want.
Switch playback side	Slide DIR.

* PAUSE will also be automatically released when is pressed (stop-pause-release function).
** If you leave the unit after the tape has been wound or rewound, the batteries will be consumed rapidly. Be sure to slide FF/CUE-REW/REVIEW back to the center position.

Note
If the tape is completely wound or rewound while searching forward/backward during playback (CUE/REVIEW), the FF/CUE-REW/REVIEW switch may not return to the center position when you release the switch. In this case, push back the switch to the center to start playback.

To increase the playback speed
Slide the FAST PB switch in the direction of the arrow. The playback speed will be increased.
To return to the original speed, slide the FAST PB switch to the original position.

Precautions

- Operate the unit only on 3 V DC.

For AC operation, use the AC power adaptor recommended for the unit. Do not use any other type. For battery operation, use two R03 (size AAA) batteries.

Standard	Non-standard
Only standard microcassettes have a small indentation of side A.	
Approx. 5 mm	Approx. 2.5 mm

- Do not leave the unit in a location near heat sources, or in a place subject to direct sunlight, excessive dust or mechanical shock.
- Should any solid object or liquid fall into the unit, remove the batteries or disconnect the AC power adaptor, and have the unit checked by qualified personnel before operating it any further.
- Keep personal credit cards using magnetic coding or spring-wound watches etc. away from the unit to prevent possible damage from the magnet used for the speaker.
- When you do not use the unit for long, remove the batteries to avoid damage caused by battery leakage and subsequent corrosion.
- If the unit has not been used for long, set it in the playback mode and warm it up for a few minutes before inserting a cassette.

If you have any questions or problems concerning your unit, please consult your nearest Sony dealer.

Troubleshooting

Should any problem persist after you have made these checks, consult your nearest Sony dealer.

- A cassette cannot be inserted.
 - The cassette is inserted in the wrong direction.
 - has been already pressed.
- The unit does not operate.
 - The batteries have been inserted with incorrect polarity.
 - The batteries are weak.
 - PAUSE is slid in the direction of the arrow.
 - The AC power adaptor is not firmly connected.
 - When trying to run on dry batteries, the AC power adaptor has been left plugged in to the DC IN 3V jack, but not to the power source.
- Recording cannot be made.
 - The cassette is not inserted.
 - The tab on the tape has been removed. (Even if only the tab on the reverse side is removed, recording cannot be made.) To reuse the tape for recording, cover the tab hole with adhesive tape. To record on one side only, insert a cassette with the side to start recording facing away from the lid (reverse side).
 - Improper setting of the VOR switch.
- Recording is interrupted.
 - The VOR switch is set to ON. When you do not use VOR, set it to OFF.
- Recording cannot be erased completely.
 - The heads are contaminated.
- Playback cannot be made.
 - The tape has reached the end of the reverse side. Slide DIR to switch playback side to FWD.
- No sound comes from the speaker.
 - The earphone is plugged in.
 - The volume is turned down completely.
- The sound drops out or comes with noise.
 - The volume is turned down completely.
 - The batteries are weak.
 - Use the unit away from radiowave-emitting devices such as cellular phones.
 - The heads are contaminated. See "Maintenance".
- During CUE/REVIEW the tape stops or does not run. You cannot fast-forward or rewind.
 - The batteries are weak.

Tape speed is too fast or too slow in the playback mode.

- Improper setting of the TAPE SPEED switch. Set it to the same speed as that used for recording.
- The batteries are weak.

Tape speed is faster than the normal playback speed.

- The FAST PB switch is slid in the direction of the arrow.

Maintenance (see Fig. E)

To clean the tape heads and path
Press and wipe the heads, capstan and the pinch roller with a cotton swab, moistened with alcohol every 10 hours or of use.

To clean the exterior
Use a soft cloth slightly moistened in water. Do not use alcohol, benzine or thinner.

Specifications

Tape	(normal position type)
Recording system	2-track 1-channel monaural
Speaker	Approx. 2.8 cm (1 1/8 in.) dia.
Tape speed	2.4 cm/s (5/32 ips), 1.2 cm/s (1/2 ips)
Frequency range	300 - 4 000 Hz (with TAPE SPEED switch at 2.4 cm)
Output	Earphone jack (mini) for 8 - 300 Ω earphone
Power output (at 10% harmonic distortion)	250 mW
Power requirements	3 V DC, two R03 (size AAA) batteries/External DC 3V power sources
Dimensions (w/h/d)	Approx. 27.8 × 127 × 69 mm (1 1/8 × 5 × 2 3/4 in.) incl. projecting parts and controls
Mass	Approx. 140 g (5 oz) (main unit only)

Design and specifications are subject to change without notice.

Reproducción de una cinta (consulte la fig. D)

- 1 Inserte el microcasete con la cara que desee reproducir encaraco hacia la tapa.
- 2 Seleccione la velocidad de cinta utilizada para grabar.
- 3 Presione .
- 4 Ajuste el volumen.

Cuando finalice la cara posterior, la reproducción se parará y la alimentación de la unidad se desconectará automáticamente. Si enchufa unos auriculares (no suministrados) en la toma EAR, obtendrá sonido monoaural a través de los canales izquierdo y derecho.

Para	Haga lo siguiente
Parar la reproducción, el avance rápido, o el rebobinado	Presione
Realizar una pausa en la reproducción	Deslice PAUSE en el sentido de la flecha. El indicador BATT se apagará. <i>Para desactivar el modo de reproducción en pausa, deslice PAUSE en sentido opuesto.</i>
Reproducir solamente la cara posterior	Deslice DIR de forma que el indicador REV se vuelva verde y presione .
Hacer que la cinta avance rápidamente**	Deslice FF/CUE-REW/REVIEW hacia FF/CUE durante el modo de parada.
Rebobinar la cinta**	Deslice FF/CUE-REW/REVIEW hacia REW/REVIEW durante el modo de parada.
Buscar progresivamente durante la reproducción (CUE)	Mantenga FF/CUE-REW/REVIEW deslizado hacia FF/CUE durante la reproducción y suéltelo en el punto deseado.
Buscar regresivamente durante la reproducción (REVIEW)	Mantenga FF/CUE-REW/REVIEW deslizado hacia REW/REVIEW durante la reproducción y suéltelo en el punto deseado.
Cambiar la cara de reproducción	Deslice DIR.

* PAUSE también se soltará automáticamente cuando presione (función de parada-pausa-desactivación).
** Si deja la unidad después de que la cinta se haya bobinado o rebobinado completamente, las pilas se consumirán rápidamente. Cerdónese de deslizar FF/CUE-REW/REVIEW hasta la posición central.

Nota
Si la cinta se bobina o rebobina completamente en las operaciones de avance rápido/rebobinado durante la reproducción (CUE/REVIEW), el selector FF/CUE-REW/REVIEW puede no volver a la posición central cuando lo suelte. En este caso, deslícelo hasta el centro para iniciar la reproducción.

Para aumentar la velocidad de reproducción
Deslice FAST PB en el sentido de la flecha. La velocidad de reproducción aumentará.
Para volver a la velocidad original, deslice FAST PB hasta su posición original.

Precauciones

Acerca de la alimentación
• Alimente la unidad solamente con 3 V cc.
Para la operación con ca, utilice el adaptador de alimentación de ca recomendado para la unidad. No use ningún otro tipo. Para la operación con pilas, utilice dos pilas R03 (tamaño AAA).

Acerca de la unidad
• Utilice solamente microcasetes (estándar) con esta unidad. Los microcasetes no estándar no podrán utilizarse porque su dimensión "L" (consulte la ilustración) es diferente.

Estándar	No estándar
Solamente los microcasetes estándar poseen una pequeña hendidura en la cara A.	
Approx. 5 mm	Approx. 2.5 mm

- No deje la unidad cerca de fuentes térmicas, ni en un lugar sometido a la luz solar directa, polvo excesivo, ni golpes.
- Si dentro de la unidad cae algún objeto sólido o líquido, extraiga las pilas o desconecte el adaptador de alimentación de ca, y haga que sea comprobada por personal cualificado antes de seguir utilizándola.
- Mantenga la tarjetas de crédito, que utilizan codificación magnética, los relojes de cuerda, etc. alejados de la unidad para evitar los daños que podría causar el imán de la misma.
- Cuando no vaya a utilizar la unidad durante mucho tiempo, extraígalas las pilas para evitar los daños que podría causar el electrolito de las mismas en caso de fugarse.
- Cuando no haya utilizado la unidad durante mucho tiempo, póngala en el modo de reproducción y deje que se caliente durante algunos minutos antes de insertarle un microcasete.

Si tiene alguna pregunta o problema en relación con su unidad, consulte a su proveedor Sony.

Solución de problemas

Si cualquier problema persiste después de haber realizado estas comprobaciones, consulte a su proveedor Sony.

- No es posible insertar un microcasete.
 - Está tratando de insertarlo en sentido incorrecto.
 - Ya ha presionado .
- La unidad no funciona.
 - Ha insertado las pilas con la polaridad incorrecta.
 - Las pilas están débiles.
 - PAUSE está deslizado en el sentido de la flecha.
 - El adaptador de alimentación de ca no está firmemente conectado.
 - Al intentar alimentar la unidad con pilas, el adaptador de alimentación de ca está enchufado en la toma DC IN 3V, pero no en un tomacorriente de la red.
- No es posible grabar.
 - No hay microcasete insertado.
 - Las lengüetas del microcasete están extraídas. (Aunque solamente esté extraída la lengüeta de la cara posterior, la grabación no podrá realizarse.) Para volver a utilizar este microcasete para grabación, cubra los orificios dejados por las lengüetas. Para grabar en una cara solamente, inserte el microcasete con la cara en la que desee iniciar la grabación encarada hacia la unidad (cara posterior).
 - Ajuste inadecuado del selector VOR.
- La grabación se interrumpe.
 - El selector VOR está en ON. Cuando no vaya a utilizar la función VOR, póngalo en OFF.
- La grabación no puede borrarse completamente.
 - Las cabezas están contaminadas.
- No es posible reproducir.
 - La cinta ha finalizado en la cara posterior. Deslice DIR para cambiar la cara de reproducción a FWD (frontal).
- El altavoz no emite sonido.
 - Hay unos auriculares enchufados.
 - El volumen está al mínimo.

El sonido se corta o se oye con ruido.

- El volumen está al mínimo.
- Las pilas están débiles.

Utilice la unidad alejada de dispositivos que emitan ondas radioeléctricas, como teléfonos modulares (móviles).

- Las cabezas están contaminadas. Consulte "Mantenimiento".

Durante la operación de localización progresiva/regresiva (CUE/REVIEW) la cinta se para o no se mueve. No es posible hacer que la cinta avance rápidamente o se rebobine.

- Las pilas están débiles.

La velocidad es demasiado rápida o lenta en el modo de reproducción.

- Ajuste inapropiado del selector TAPE SPEED. Ajústelo a la velocidad utilizada para grabar.
- Las pilas están débiles.

La velocidad de la cinta es más rápida que la de reproducción normal.

- El selector FAST PB está deslizado en el sentido de la flecha.

Mantenimiento (consulte la fig. E)

Limpieza de las cabezas y la trayectoria de la cinta
Presione y frote las cabezas , e, j de arrastre , y el rodillo compresor con un pañillo de cabeza de algodón humedecido en alcohol cada 10 horas de utilización.

Limpieza del exterior
Utilice un paño suave ligeramente humedecido en agua. No use alcohol, bencina ni diluidor de pintura.

Especificaciones

Casete	(tipo de posición normal)
Sistema de grabación	2 pistas, 1 canal, monoaural
Altavoz	Aprox. 2.8 cm de diámetro
Velocidad de la cinta	2.4 cm/s, 1.2 cm/s
Gama de frecuencias	300 - 4 000 Hz (con TAPE SPEED ajustado a 2.4 cm)
Salida	Toma para auriculares (mínimo) de 8-300 Ω
Salida de potencia (al 10% de distorsión armónica total)	250 mW
Alimentación	3 V cc, dos pilas R03 (tamaño AAA)/fuentes de alimentación externas de 3V cc
Dimensiones (an/al/prf)	Aprox. 27.8 × 127 × 69 mm, incluyendo partes y controles salientes
Masa	Aprox. 140 g (unidad principal solamente)

El diseño y las especificaciones están sujetos a cambio sin previo aviso.

Lecture d'une bande (voir Fig. D)

- 1 Insérez une cassette en dirigeant sa face à écouter d'avord vers le volet du logement.
- 2 Sélectionnez la même vitesse que celle utilisée lors de l'enregistrement de la cassette.
- 3 Appuyez sur .
- 4 Ajustez le volume sonore.

A la fin de la face arrière, la lecture s'arrête et l'appareil se met automatiquement hors tension.
Si vous branchez un casque d'écoute (non fourni) sur la prise EAR, vous obtiendrez un son monaural, provenant des canaux gauche et droit.

Si vous voulez	Appuyez ou glissez
Arrêter la lecture, l'avance rapide ou le rebobinage	
Interrompre la lecture	Glissez PAUSE dans le sens de la flèche. Le voyant BATT s'éteint. <i>Pour continuer la lecture interrompue, glissez PAUSE dans le sens opposé.</i>
Écouter seulement la face arrière	Glissez DIR de sorte que le voyant REV devienne vert et appuyez sur .
Déclencher l'avance rapide**	Glissez FF/CUE-REW/REVIEW vers FF/CUE pendant l'arrêt.
Déclencher le rebobinage**	Glissez FF/CUE-REW/REVIEW vers REW/REVIEW pendant l'arrêt.
Lancer une recherche avant pendant la lecture (CUE)	Maintenez FF/CUE-REW/REVIEW glissé vers FF/CUE pendant la lecture et relâchez-la au point souhaité.
Lancer une recherche arrière pendant la lecture (REVIEW)	Maintenez FF/CUE-REW/REVIEW glissé vers REW/REVIEW pendant la lecture et relâchez-la au point souhaité.
Changer la face de cassette	Glissez DIR.

* La PAUSE sera annulée également si vous appuyez sur (fonction de libération d'arrêt-pause).
** Si vous abandonnez l'appareil alors que la bande de la cassette a été bobinée à fond vers l'avant ou l'arrière (CUE/REVIEW), il est possible que la commande FF/CUE-REW/REVIEW ne revienne pas à la position centrale lors que vous la relâchez. Dans ce cas, repoussez la commande vers le centre au centre pour lancer la lecture.

Remarque
Si la bande est complètement bobinée à l'une ou l'autre de ses extrémités pendant la recherche vers l'avant/l'arrière (CUE/REVIEW), il est possible que la commande FF/CUE-REW/REVIEW ne revienne pas à la position centrale lors que vous la relâchez. Dans ce cas, repoussez la commande vers le centre au centre pour lancer la lecture.

Pour accroître la vitesse de lecture
Glissez la commande FAST PB dans le sens de la flèche et la vitesse de lecture sera plus rapide.
Pour revenir à la vitesse originale, ramenez la commande FAST PB à sa position originale.

Précautions

A propos de l'alimentation
• Alimentez l'appareil sur courant continu de 3 V seulement.
Pour une alimentation sur le secteur, utilisez l'adaptateur secteur recommandé pour cet appareil à l'exclusion de tout autre. Pour le fonctionnement sur piles, utilisez deux piles R03 (format AAA).

A propos de l'appareil
• Utilisez uniquement des microcassettes standards sur cet appareil. Il n'est pas possible d'utiliser des cassettes non standards car leur dimension "L" est différente (voir l'illustration).

Cassette standard	Cassette non standard
Seules les microcassettes standard ont une petite entaille sur la face A.	
Env. 5 mm	Env. 2.5 mm

- Ne laissez pas l'appareil près d'une source de chaleur ou dans un endroit en plein soleil, très poussiéreux ou soumis à des chocs mécaniques.
- Si un solide ou un liquide devait s'infiltrer dans l'appareil, retirez ses piles ou débranchez l'adaptateur secteur et faites vérifier l'appareil par un technicien compétent avant de le remettre en service.
- Tenez les cartes de crédit à codage magnétique, les montres à ressort, etc. à l'écart de l'appareil pour éviter de les endommager par l'aimant, incorporé au haut-parleur.
- Si vous prévoyez de ne pas utiliser l'appareil pendant longtemps, retirez-en les piles pour éviter une corrosion interne que provoquerait un suintement de leur électrolyte.
- Si l'appareil n'a pas été utilisé pendant longtemps, réglez-le en mode de lecture pendant quelques minutes pour qu'il se réchauffe avant d'y insérer une cassette.

Pour toute question ou difficulté, liée à cet appareil, veuillez consulter un revendeur Sony.

Guide de dépannage

Si vous ne parvenez pas à porter remède à une difficulté après avoir passé en revue les points suivants, contactez un revendeur Sony.

- Impossible d'insérer une cassette.
 - La cassette est présentée à l'envers.
 - La touche a déjà été actionnée.
- L'appareil ne fonctionne pas.
 - Les polarités des piles n'ont pas été respectées lors de leur mise en place.
 - Les piles sont faibles.
 - La commande PAUSE est glissée dans le sens de la flèche.
 - L'adaptateur d'alimentation secteur n'est pas branché à fond.
 - Pour une alimentation par les piles, l'adaptateur d'alimentation secteur est laissé branché sur la prise DC IN 3V, mais pas sur la source du secteur.
- Un enregistrement est impossible.
 - Une cassette n'est pas insérée dans le logement.
 - Le taquet de protection de la cassette a été brisé. (L'enregistrement est impossible même si seul le taquet de la face arrière est brisé.) Pour enregistrer sur une cassette protégée, recouvrez l'orifice du taquet avec du ruban adhésif. Pour enregistrer sur une seule face, dirigez la face où doit commencer l'enregistrement vers l'intérieur de l'appareil (côté opposé au volet).
 - La commande VOR est mal réglée.
- L'enregistrement est interrompu.
 - La commande VOR est réglée sur ON. Si vous n'utilisez pas le système VOR, réglez la commande sur OFF.
- L'enregistrement n'est pas complètement effacé.
 - Les têtes sont souillées.
- La lecture est impossible.
 - La bande a atteint la fin de la face arrière. Glissez DIR pour changer le côté de lecture à FWD (avant).
- Absence de sons au niveau du haut-parleur.
 - L'écouteur est branché sur la prise.
 - Le volume est complètement coupé.

Coupages du son ou son parasité.

- Le volume est complètement coupé.
- Les piles sont faibles.
- Utilisez le M-200MC à l'écart d'appareils émettant des ondes radio, comme les téléphones cellulaires.
- Les têtes sont souillées. Voir "Entretien".

Pendant la recherche avant/arrière (CUR/REVIEW), la bande s'arrête ou ne défille pas. L'avance rapide ou le rebobinage est impossible.

- Les piles sont faibles.

La vitesse de la bande est trop rapide ou trop lente en mode de lecture.

- Réglage incorrect de la commande TAPE SPEED. Réglez-la à la même vitesse que celle utilisée lors de l'enregistrement.
- Les piles sont faibles.

La vitesse de la bande est plus rapide que pendant une lecture normale.

- La commande FAST PB est glissée dans le sens de la flèche.

Entretien (voir Fig. E)

Nettoyage des têtes et du passage de la bande
Appuyez sur et, toutes les 10 heures d'utilisation, frotez les têtes , le cabestan et le galet presseur au moyen d'un coton-tige, trempé dans un peu d'alcool.

Nettoyage de l'extérieur
Servez-vous d'un lingé doux légèrement trempé dans de l'eau. N'utilisez pas d'alcool, de benzine ou de diluant pour peinture.

Caractéristiques techniques

Bande	(type à position Normal)
Système d'enregistrement	Monaural 2 voies, 1 canal
Haut-parleur	Env. 2,8 cm diam. (1 1/8 pouce)
Vitesse de bande	2,4 cm/s et 1,2 cm/s (5/32 et 1/2 ips)
Frequency range	Plage de fréquence 300 - 4 000 Hz (la commande TAPE SPEED étant sur 2,4 cm)
Sortie	Prise écouteur (mini) pour écouter de 8 à 300 Ω
Puissance de sortie (à distorsion harmonique de 10%)	250 mW
Alimentation électrique	CC de 3 V, 2 piles R03 (format AAA) / Sources externes de courant continu 3 V
Dimensions (l/h/p)	Env. 27,8 × 127 × 69 mm (1 1/8 × 5 × 2 3/4 pouces) y compris les parties saillantes et les commandes
Poids	Env. 140 g (5 onces) (unité principale seule)

Conception et spécifications sous réserve de modifications sans avis préalable.

Free Manuals Download Website

<http://myh66.com>

<http://usermanuals.us>

<http://www.somanuals.com>

<http://www.4manuals.cc>

<http://www.manual-lib.com>

<http://www.404manual.com>

<http://www.luxmanual.com>

<http://aubethermostatmanual.com>

Golf course search by state

<http://golfingnear.com>

Email search by domain

<http://emailbydomain.com>

Auto manuals search

<http://auto.somanuals.com>

TV manuals search

<http://tv.somanuals.com>