

Marine Pack

Operating Instructions

EN

Mode d'emploi

F

Handycam

MPK-TRV2

©1997 by Sony Corporation

Table of contents

Features	2
Supplied accessories	3
Precautions	4
Labeling the parts and controls	5
Position of the adaptor and the remote control cable	6
Notes on the O-ring	8
Attaching the video camera recorder to the marine pack	9
Recording	13
When the LEAK lamp flashes	14
Removing the video camera recorder	15
Underwater recording	16
Specifications	17
Prerecording checklist	17



This mark indicates that this product is a genuine accessory for Sony video products. When purchasing Sony video products, Sony recommends that you purchase accessories with this "GENUINE VIDEO ACCESSORIES" mark.

WARNING

This equipment has been tested and found to comply with the limits for a Class B digital device, pursuant to Part 15 of the FCC Rules. These limits are designed to provide reasonable protection against harmful interference in a residential installation. This equipment generates, uses, and can radiate radio frequency energy and, if not installed and used in accordance with the instructions, may cause harmful interference to radio communications. However, there is no guarantee that interference will not occur in a particular installation. If this equipment does cause harmful interference to radio or television reception, which can be determined by turning the equipment off and on, the user is encouraged to try to correct the interference by one or more of the following measures:

- Reorient or relocate the receiving antenna.
- Increase the separation between the equipment and receiver.
- Connect the equipment into an outlet on a circuit different from that to which the receiver is connected.
- Consult the dealer or an experienced radio/TV technician for help.

You are cautioned that any changes or modifications not expressly approved in this manual could void your authority to operate this equipment.

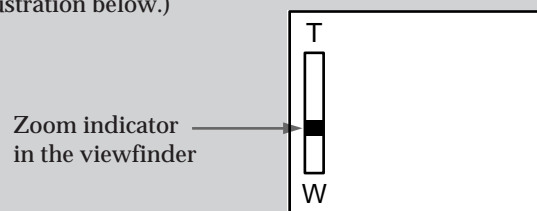
Features

The MPK-TRV2 marine pack allows the following 8 mm video camera recorders to be used underwater.

CCD-TR44	CCD-TRV11
CCD-TR54	CCD-TRV12
CCD-TR64	CCD-TRV21
CCD-TR66	CCD-TRV22
CCD-TR74	CCD-TRV30
CCD-TR78	CCD-TRV32
CCD-TR84	CCD-TRV33
CCD-TR86	CCD-TRV40
CCD-TR88	CCD-TRV41*
CCD-TR94	CCD-TRV52
CCD-TR96	CCD-TRV53
CCD-TR98	CCD-TRV62
CCD-TR99	CCD-TRV70
CCD-TR200	CCD-TRV72
CCD-TR300	CCD-TRV81*
CCD-TR500	CCD-TRV82
CCD-TR514	CCD-TRV101
CCD-TR555	CCD-TRV112
CCD-TR614	CCD-TRV212
CCD-TR710*	CCD-TRV312
CCD-TR714	CCD-TRV512
CCD-TR814	
CCD-TR910*	
CCD-TR916	
CCD-TR930	
CCD-TR2300*	
CCD-TR3000*	
CCD-TR3300*	
CCD-TR3400	

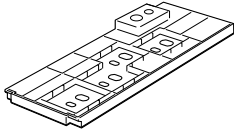

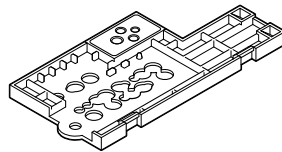
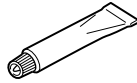
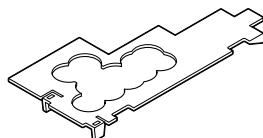

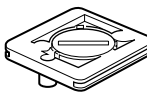
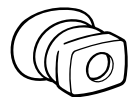
- Recording at a depth of 246 feet (75 meters) is possible.
- The following operations can be performed underwater.
 - Power on/off
 - Auto focusing on/off (Only models marked with *)
 - Recording start/stop
 - Power zooming

If there are specks or dust in focus on the front glass of the marine pack, move the power zoom lever towards the T (telephoto) side slightly so that the zoom indicator inside the viewfinder moves towards T. (See the illustration below.)



We recommend you use a **wide-conversion lens** (not supplied) when using the marine pack.

Supplied accessories

 <p>Adaptor A (1)</p>	 <p>O-rings (2)</p>
 <p>Adaptor B (1)</p>	 <p>Grease (1)</p>
 <p>Adaptor C (1)</p>	 <p>Accessory belt (1)</p>
 <p>Mounting screw plate (1)</p>	 <p>Viewfinder adaptor (1)</p>

EN

Precautions

On the video camera recorder

Take care not to expose the equipment to salty air. Do not drip water on the equipment.

- Do not open the marine pack while at sea or at the seaside. Preparations such as installing and checking the equipment should be made in a place with low humidity and no salty air.
- When a video camera recorder is to be used near the sea for a long time, we recommend that it be checked periodically by a Sony dealer.
- If the equipment becomes wet, take it immediately to the nearest Sony dealer for preventive maintenance.

On the video camera recorder power source

We recommend you use battery packs with a large capacity. However, in some cases battery packs NP-99/4500/F930 cannot be attached to the video camera recorder.

On the marine pack

- If you open and join the front and rear shells in a place with high temperature and high humidity, moisture condensation may occur when you put the marine pack in the water, causing the front glass to fog.
- The waterproof integrity of the marine pack is maintained by the O-ring, and the groove and surface where it touches. Be especially careful not to damage or deform that area.
- Do not leave the marine pack under direct sunlight for a long period of time, otherwise the temperature in the marine pack may rise and the equipment inside may be damaged.
- If you cannot avoid leaving the marine pack under direct sunlight, be sure to cover the marine pack with a towel or other protection.
- Do not throw the marine pack into the water. Lower it gently into the water.

On recording underwater

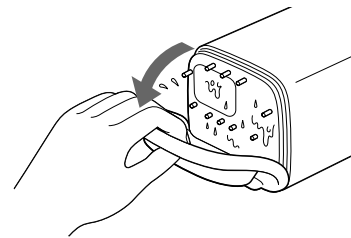
- Check that the equipment operates correctly and that there is no water leak at a depth of about 3 feet (one meter) before you dive deeper.
- Be sure to follow the safety rules for diving, such as diving period and depth.
- Remove the bubbles from the outside of the front glass.

Sony does not accept liability for damage to the video camera recorder, battery, etc. in the marine pack or for the loss of prerecorded material if water leak caused by incorrect operation occurs.

On maintenance

After recording in the sea, submerge the marine pack with the buckles tightly fastened in fresh water for a while to remove the sea water. Then rinse it with fresh water and dry it with a soft cloth.

- Every time you use the marine pack and the video camera recorder underwater, clean the video camera recorder and the inside of the marine pack with a dry soft cloth. Do not use any type of solvent, such as alcohol or benzene for cleaning, as this may damage the finish.
- When you store the marine pack, grease the O-ring and put it in the groove correctly. Join the front and rear shells then put in a cool place without fastening the buckles. Avoid storing the marine pack in a hot or very cold place, in a place subject to direct sunlight or excessive dust, or together with naphthalene or camphor. This will damage the marine pack.
- If water comes between the rear shell and the rubber part, remove the rubber and clean it with a dry soft cloth.

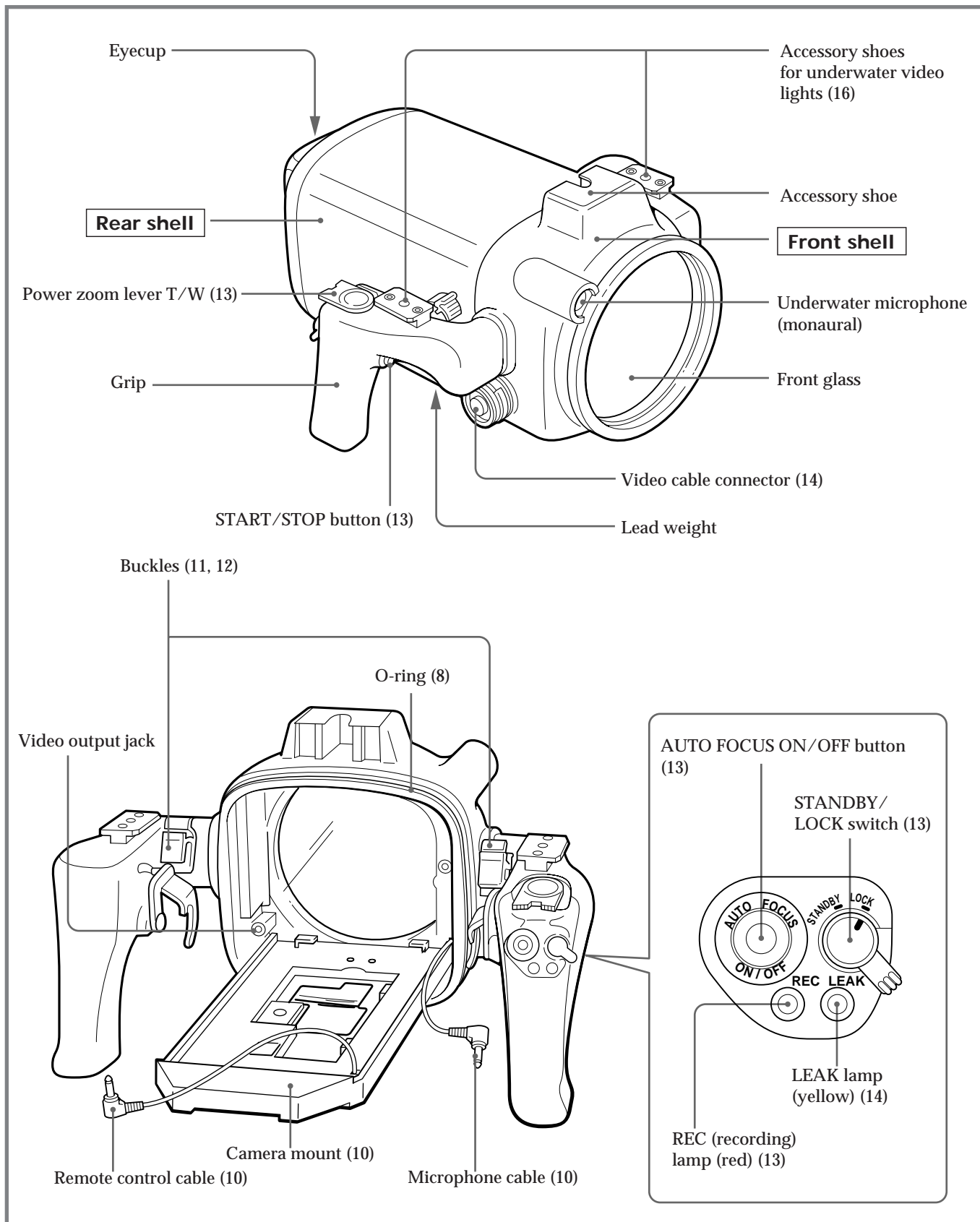


On transportation

- When transporting the marine pack, be sure to remove the video camera recorder from the marine pack.
- When transporting the marine pack by air or by car, use a marine pack carrying case (not supplied).

Labeling the parts and controls

- For the use of each part or control, see the pages indicated in parenthesis.



Position of the adaptor and the remote control cable

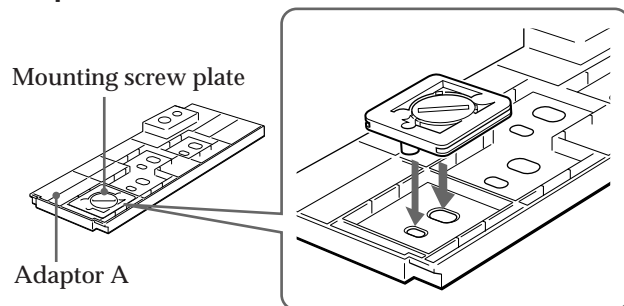
The position of the adaptor and the mounting screwplace depend on the video camera model. See the following page when adjusting the adaptor and mounting screwplace position.

Check the position for the video camera recorder you use. Mounting instructions are explained in "Attaching the video camera recorder to the marine pack" on page 9.

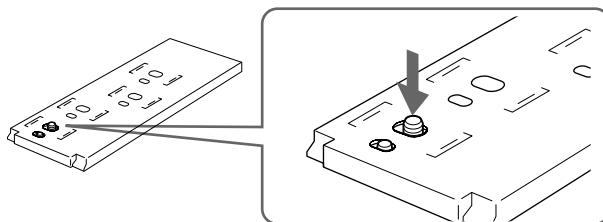
Position of the mounting screw plate on the adaptor

Put the mounting screw plate on the number of the adaptor depending upon the model of video camera recorder.

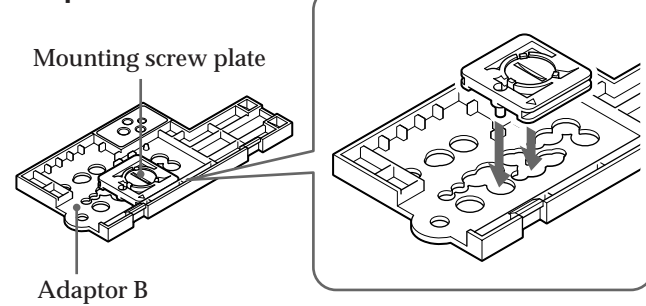
adaptor A



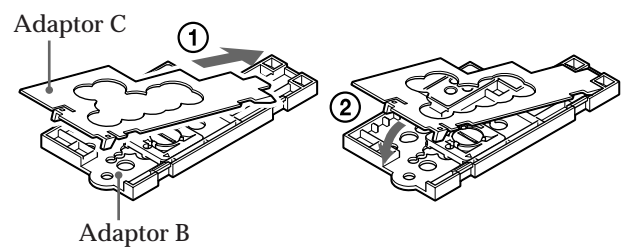
To disassemble after using.



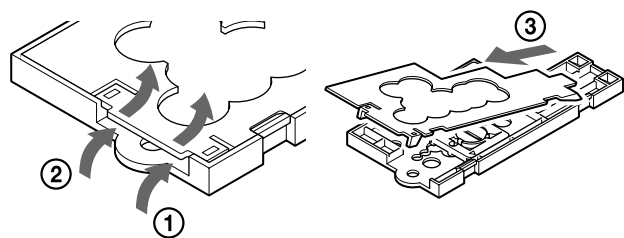
adaptor B



Attach adaptor C to adaptor B.



To detach adaptor C from adaptor B.



Video camera recorder CCD-	Position of the mounting screw plate on the adaptor		Video camera recorder CCD-	Position of the mounting screw plate on the adaptor	
	Without a wide- conversion lens	With a wide- conversion lens		Without a wide- conversion lens	With a wide- conversion lens
TRV30/TRV40/TRV70	A1	A2	TR200/TR300/TR500	B1	B3
TR44/TR54/TR64/TR66/ TR74/TR78/TR84/TR88/ TR94/TR98/TR99/TR514/ TR614/TR714/TR814	A3		TR86/TR96/TR916/ TRV11/TRV12/TRV21/ TRV22/TRV32/TRV33/ TRV52/TRV53/TRV112/ TRV212/TRV312/TRV512	B2	B5
			TRV62/TRV72/TRV82	B2	B9
			TR3000	B3	B6
			TR555	B3	B7
			TRV101	B3	—
			TR710/TR910	B4	B6
			TR2300/TR3300/TR3400/ TRV41/TRV81	B4	B7
			TR930	B5	B8

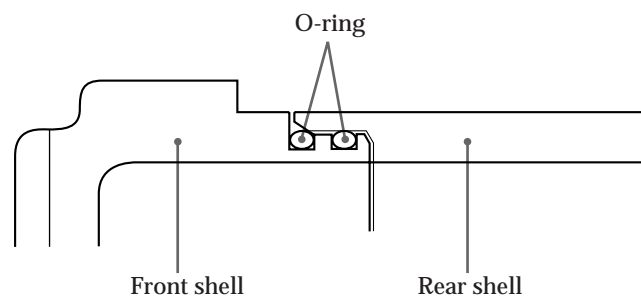
A, B ——— adaptor to be used.
1, 2, 3... — corresponding number on the adaptor.

Notes

- The CCD-TRV101 video camera recorder cannot be fitted with a wide conversion lens.
- When you attach a wide conversion lens to the CCD-TRV11/TRV12/TRV21/TRV22/TRV33/TRV41/TRV81/TRV112/TRV212 video camera recorders, you cannot attach the viewfinder adaptor.
- When you attach a wide conversion lens to the CCD-TRV11/TRV12/TRV21/TRV22/TRV33/TRV112/TRV212 video camera recorders, you cannot attach Sony battery NP-99/4500.
- When you attach a wide conversion lens to the CCD-TR2300/TR3300/TR3400 video camera recorders, you cannot attach Sony battery NP-F930.

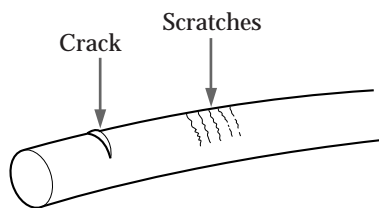
Notes on the O-ring

The O-ring assures the waterproof function of the marine pack. To maintain waterproof integrity, use it correctly. Incorrect handling may cause water to leak in.



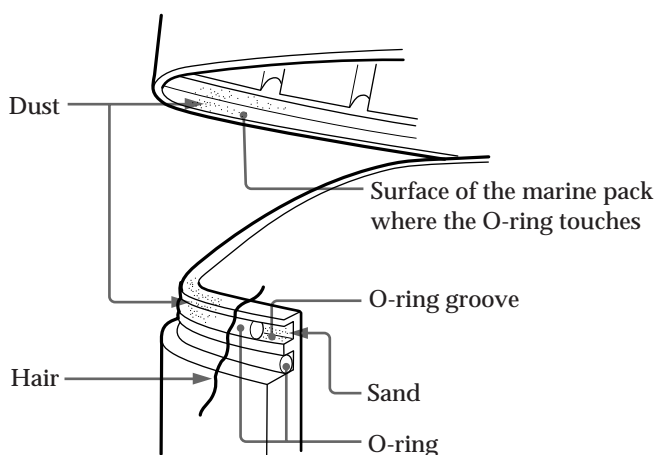
Check that there are no scratches or cracks.

Scratches or cracks on the O-ring may cause water to leak in. If the O-ring is damaged in this way, replace it with a new one. Do not remove the O-ring from the groove with a metal tool or a tool with a sharp point.



Remove any dust, sand or hair from the O-ring.

Make sure there is no dust, sand or hair on the O-ring, in the groove, or on the surface of the marine pack where the O-ring touches. If there is, clean them completely, or the O-ring and the surface of the marine pack may be damaged and water may leak in.

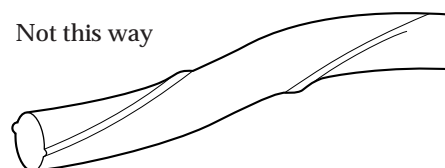


Grease the O-ring

The grease protects the O-ring from wear. Check that there are no cracks or dust on the O-ring, then grease it using your finger. While greasing, double check that there are no cracks or dust. Never use cloth or paper to apply grease because the fibers may cling. Do not use any type of grease other than the supplied one, or it may damage the O-ring. If you run out of silicone grease (2-115-921-01) you can purchase it from your nearest Sony Service Center.

Do not twist the O-ring.

Put the O-ring in the groove evenly. Never twist it.



Do not pinch the O-ring with the marine pack.

When joining the front and rear shells, take care not to pinch the O-ring between them. If this happens, not only will the O-ring be damaged, but water may leak in.

Storage

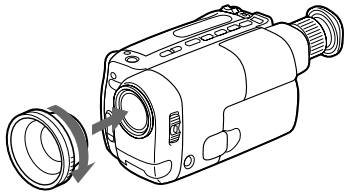
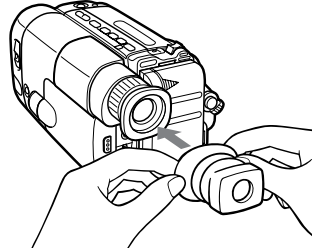
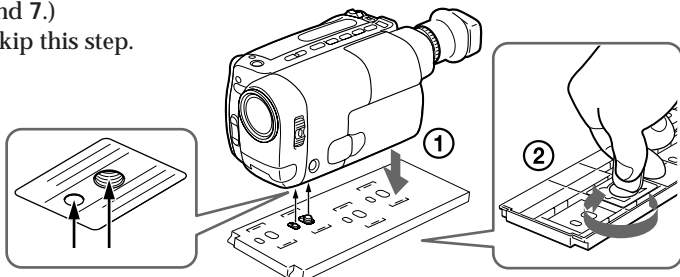
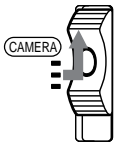
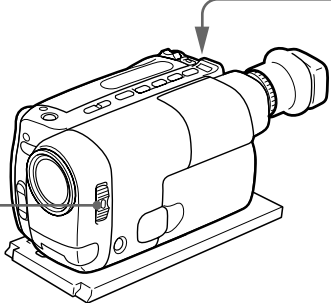

Put the supplied spare O-rings in the original carton and store it in a cool place.

- Do not expose the O-ring to direct sunlight.
- Do not place a heavy object on the O-ring.
- Do not fold the O-ring.

Useful life of the O-ring.

Depending upon maintenance and the length of use, we recommend changing the O-ring every one or two years. The O-ring (3-952-928-01) can be replaced at your nearest Sony Service Center.

Attaching the video camera recorder to the marine pack

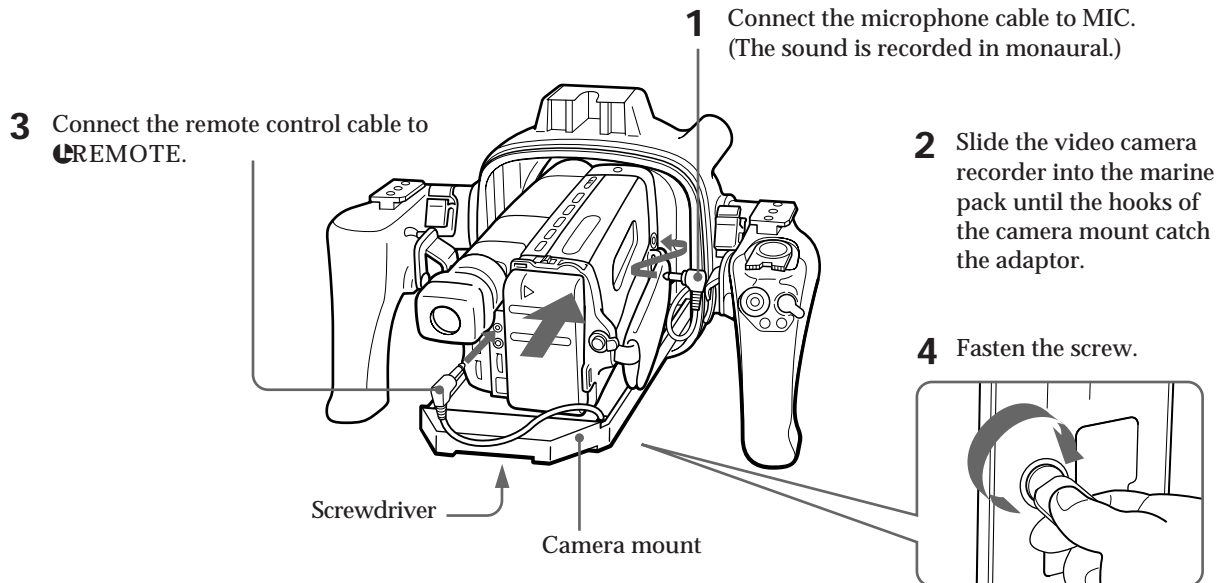
<p>1 Remove the lens cap, shoulder strap, filter, etc., from the video camera recorder.</p>	<p>2 Attach a charged battery pack and insert a video cassette.</p>								
<p>3 Attach the wide conversion lens (not supplied). By attaching the wide conversion lens, the shooting coverage becomes wider, and the subject size becomes smaller.</p> 	<p>4 Attach the Viewfinder adaptor. If the viewfinder adaptor is loose when it is attached, bend the eyecup of the camcorder and attach it again.</p> 								
<p>5 When using adaptor A, attach it to the video camera recorder. Check that the position of the mounting screw plate is correct. (See pages 6 and 7.) When using adaptor B, skip this step.</p> 									
<p>6 Adjust the video camera recorder. Refer to the operation manual of your video camera recorder.</p> <div style="display: flex; justify-content: space-around;"> <div data-bbox="425 1640 724 1879"> <p>1 Set the POWER switch to CAMERA.</p>  </div> <div data-bbox="807 1586 1136 1887">  </div> <div data-bbox="1182 1632 1516 1879"> <p>2 Set the STANDBY switch to STANDBY.</p>  </div> </div> <p>The following adjustments are needed when your video camera recorder has the corresponding function. Refer to the operation manual of the video camera recorder for details.</p> <table border="1" data-bbox="363 2016 1193 2244"> <tr> <td>White balance</td> <td>Normally set to ☀ (outdoor). Set to 🌙 (indoor) for night diving.</td> </tr> <tr> <td>Shutter speed</td> <td>Set where no indicator appears.</td> </tr> <tr> <td>Program AE</td> <td>Set where no indicator appears.</td> </tr> <tr> <td>Brightness</td> <td>Turn off the indicator.</td> </tr> </table> <p>On some video camera recorder models, you cannot adjust the focus with the button on the marine pack. Set the focus to auto focus mode (see page 2).</p>		White balance	Normally set to ☀ (outdoor). Set to 🌙 (indoor) for night diving.	Shutter speed	Set where no indicator appears.	Program AE	Set where no indicator appears.	Brightness	Turn off the indicator.
White balance	Normally set to ☀ (outdoor). Set to 🌙 (indoor) for night diving.								
Shutter speed	Set where no indicator appears.								
Program AE	Set where no indicator appears.								
Brightness	Turn off the indicator.								

(continued)

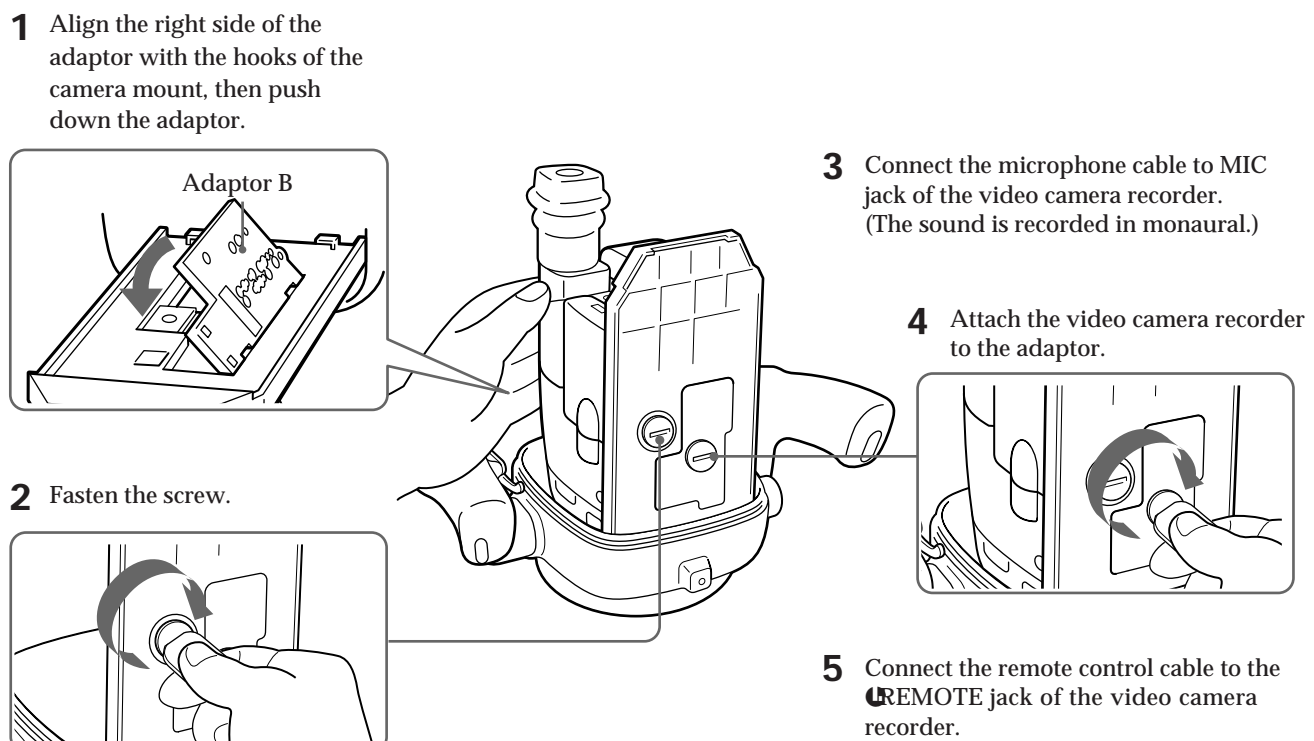
Attaching the video camera recorder to the marine pack

- 7** Attach the video camera recorder to the marine pack.
Check the position of the adaptor. (See pages 6 and 7.)

When using adaptor A

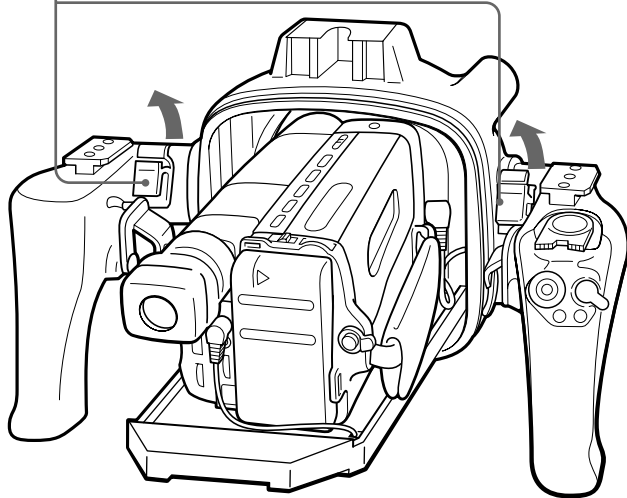


When using adaptor B

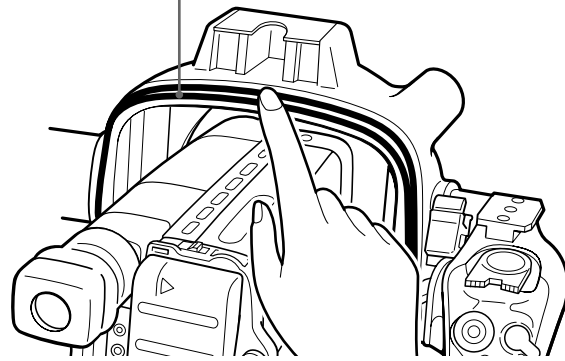


8 Raise the buckles until they stop.

Buckles

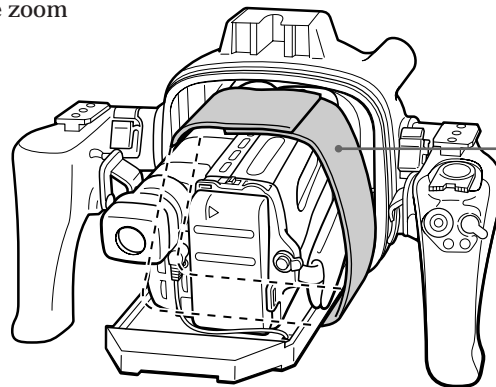


O-ring



Check the O-ring and grease it slightly.

9 Fasten the video camera recorder with the accessory belt.
When you fasten the video camera recorder with accessory belt, take care not to touch the zoom button.



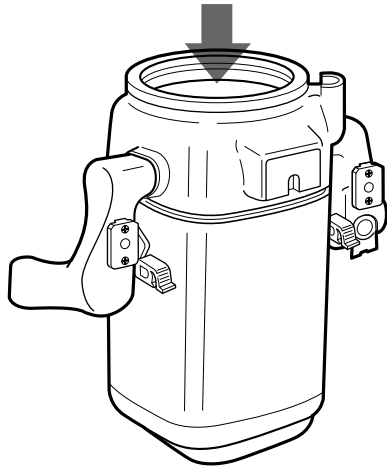
Accessory belt

(continued)

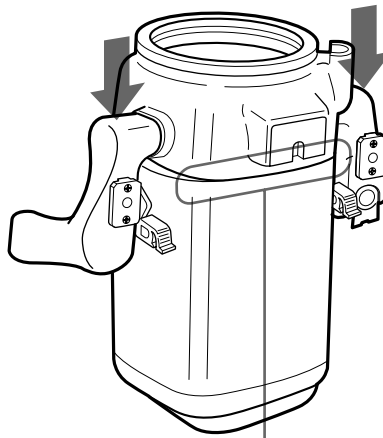
Attaching the video camera recorder to the marine pack

10 Attach the front shell to the rear shell.

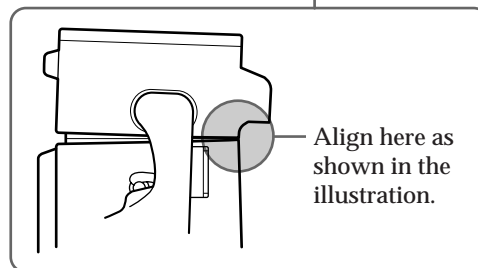
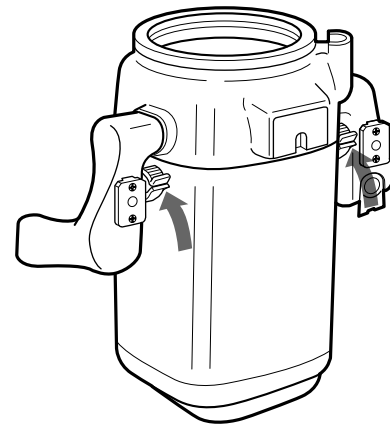
1 Put the front shell on the rear shell.



2 Press the top of both grips firmly.



3 Lower both buckles at the same time until they are locked. You will hear a click.



Now you are ready for underwater recording.

Set the STANDBY/LOCK switch of the marine pack to LOCK.
If you set it to STANDBY, the battery may be used up before recording.

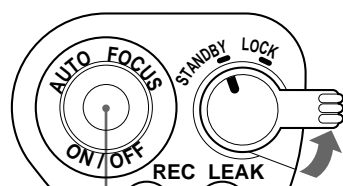
Note

When the viewfinder adaptor is attached to the viewfinder of your camcorder, you get a wide view of what appears in the viewfinder screen. However, when viewed from an angle, the screen may appear distorted.

Recording

Check that the equipment operates correctly and that there is no water leak at a depth of about 3 feet (one meter) before you dive deeper.

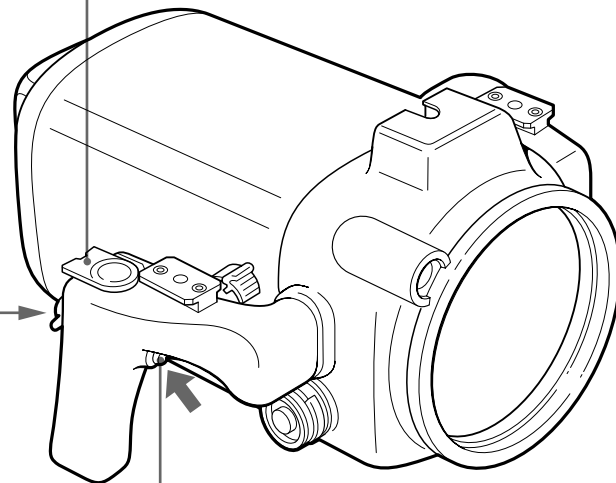
1 Set the STANDBY/LOCK switch to STANDBY.



The REC lamp (red) lights up during recording.

AUTO FOCUS ON/OFF button

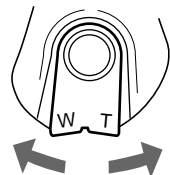
Power zoom lever



2 Press START/STOP button to start recording.

To zoom

Slide the power zoom lever towards T for telephoto (subject appears closer) or W for wide-angle (subject appears farther away). The zooming speed can be changed on some video camera recorder models from a slow speed to faster by sliding the zooming lever a little more.



Wide-angle Telephoto

When you set the power zoom lever to the full wide-angle position (macro), specks or bubbles on the front glass may come into focus. In this case, slide the power zoom lever a little towards T and return towards W.

To keep a subject in focus

After you focus on a subject, press the AUTO FOCUS ON/OFF button to set the video camera recorder to manual focus mode.

Even if fish swim between the video camera recorder and the subject, you can still keep the subject in focus.

Note

On some video camera recorder models, the AUTO FOCUS ON/OFF button is not operative. Set the video camera recorder to auto focus mode (see page 2).

To stop recording

Press the START/STOP button.

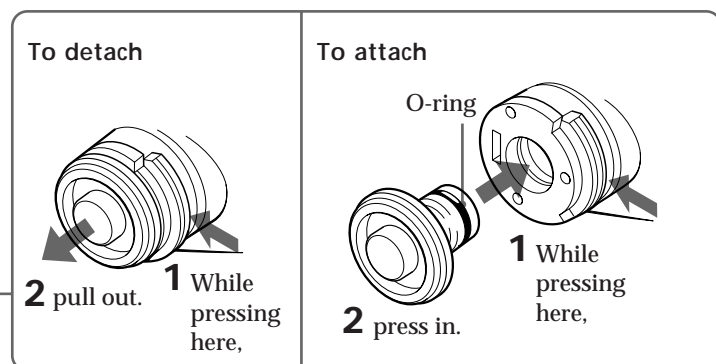
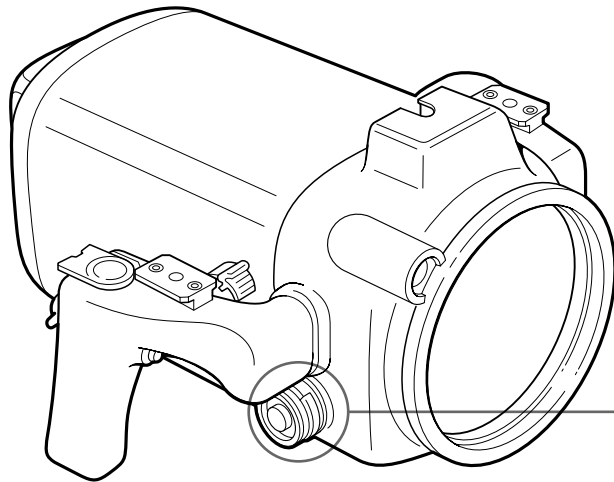
(continued)

Recording

To attach/detach the lid of the video cable connector

A video cable connector is provided so that video equipment can be connected to the marine pack in the future.

When you reattach the lid, grease the O-ring of the lid before inserting it into the connector.



Note

Do not remove the lid underwater.

When the LEAK lamp flashes

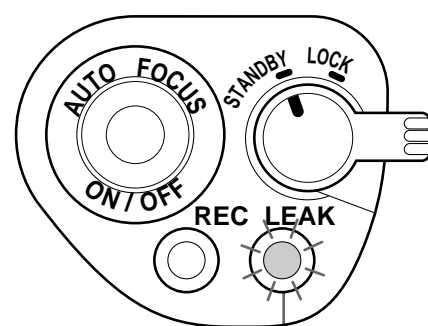
If water happens to leak in, the LEAK lamp (yellow) flashes.

In such a case, remove the marine pack from the water as soon as possible, keeping it horizontal. Be sure to surface following the safety rules for diving.

Dry the marine pack with a soft cloth and then open it. To switch off the lamp, disconnect the remote control cable.

Check the cause of the leak.

If the video camera recorder is wet, take it to the nearest Sony dealer immediately.



LEAK lamp (yellow)

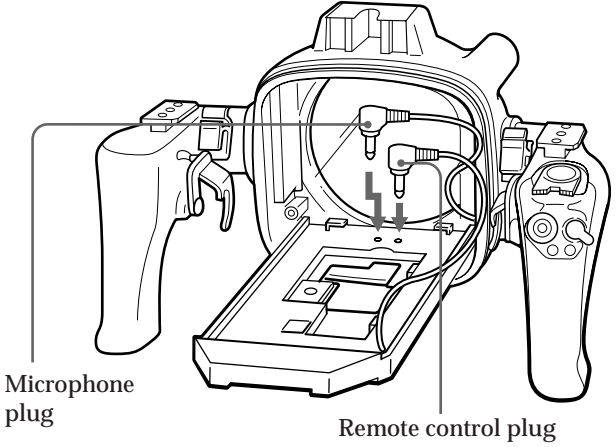
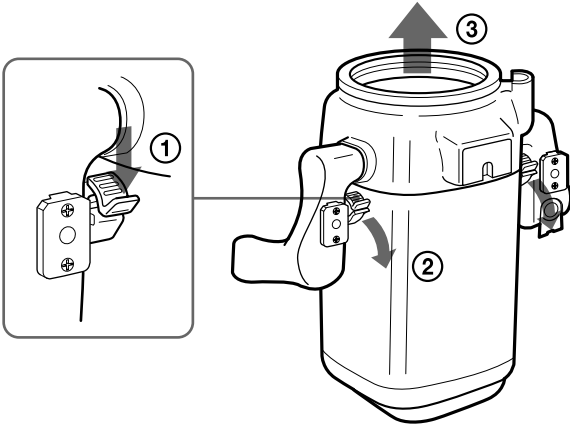
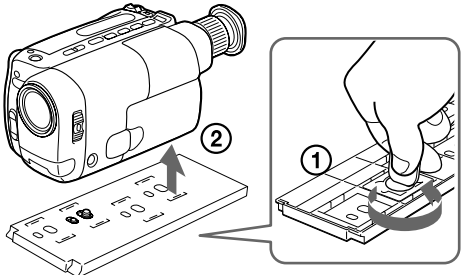
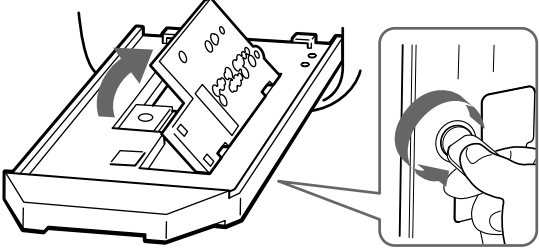
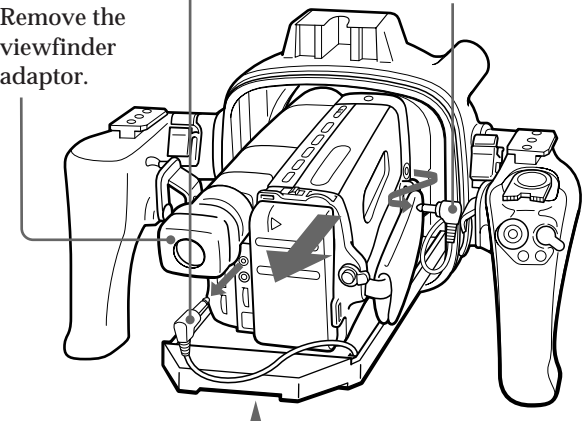
Removing the video camera recorder

Before opening the marine pack, rinse it with fresh water and dry with a soft cloth.

Note

When you open the marine pack, follow this procedure to prevent the video camera recorder from getting wet.

- Dry the marine pack well.
- Wipe off any water between the front and rear shells with a towel.
- Make sure you are dry. Take care that no water drips from your wet suit.

<p>1 Remove the accessories.</p>	<p>4 Insert the remote control plug and the microphone plug where they were.</p> 
<p>2 Open the marine pack.</p> <p>1 Before opening the marine pack, rinse it with fresh water and dry with a soft cloth.</p> <p>2 Unfasten both buckles and remove the front shell.</p> 	<p>5 Remove the adaptor.</p> <p>adaptor A</p>  <p>adaptor B</p> 
<p>3 Take the video camera recorder out of the front shell.</p> <p>1 Disconnect the remote control cable. 4 Disconnect the microphone cable.</p> <p>5 Remove the viewfinder adaptor.</p>  <p>2 Unfasten the screw. 3 Detach the video camera recorder.</p>	

Underwater recording

Recording underwater is different from recording on land because it is affected by the clarity and depth of the water and the light conditions. The following are hints for good recording underwater.

Color characteristics underwater

Water absorbs light, especially red light, so that objects in deep water are seen as bluish. The color of objects is affected by the clarity of the water.

Best time for recording

The best recording time is from 10:00 a.m. to 2:00 p.m. When the sun is highest, optimum results can be obtained.

Subject size underwater

Since the refractive index underwater is higher than that in air, an object appears 1/4 more closer, and therefore larger. This phenomenon affects the lens on the video camera recorder as well as the human eye. Using a **wide-conversion lens**(not supplied) is recommended.

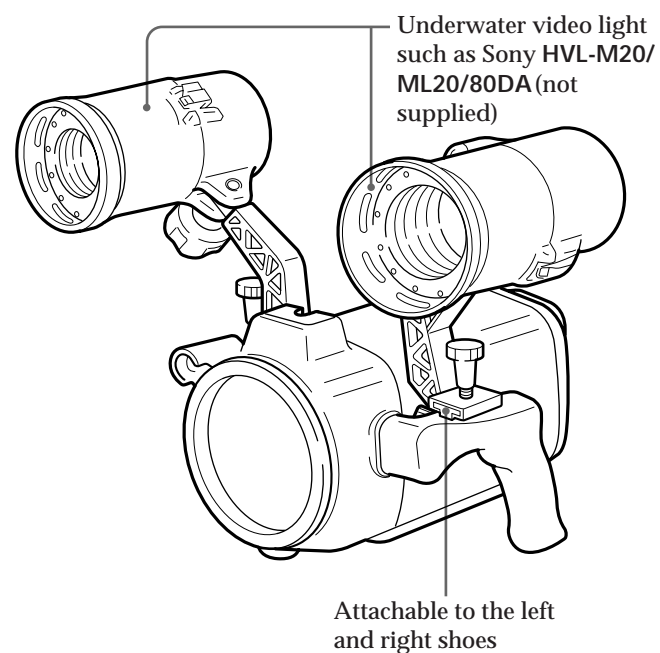
Camera work In slow and stable motion

When recording, keep your body stable. An unstable shot will be magnified on the TV screen. Move the video camera recording as slowly as possible. As most of the object underwater move, you can record a good programme without moving the video camera recorder.

Underwater video light

In deep water or under rocks where direct sunlight does not reach, recording with an underwater video light is recommended.

To record at night, use a powerful underwater video light.



Specifications

Compatible video camera recorder

See page 2.

Material Aluminum alloy, glass, plastic, lead

Waterproofing O-ring, 2 buckles

Usable depth Up to 246 feet (75 meters)

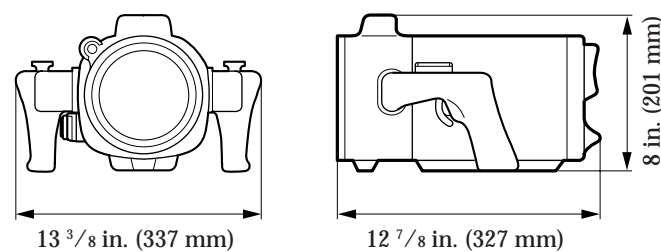
Underwater microphone

Condenser microphone (monaural)

Controllable function

Power on/off, recording start/stop, auto focus on/off, power zooming

Dimensions



Mass Approx. 17 lb 10 oz (8 kg)

Supplied accessories

Adaptor A(1)/B(1)/C(1)

Mounting screw plate (1)

O-rings (2)

Grease (1)

Accessory belt (1)

Viewfinder adaptor (1)

Recommended accessories

Underwater video light HVL-M20, HVL-

ML20, HVL-80DA

Carrying case LCH-M40

Design and specifications are subject to change without notice.

Prerecording checklist

To make sure that you do not miss shooting opportunities, go over the following checklist.

Item	Checkpoints
Battery pack	<ul style="list-style-type: none"> Fully charged.
Video cassette	<ul style="list-style-type: none"> A cassette is inserted. Tape length will cover the planned recording time. The tape is wound to the point where recording is to begin. The safety tab on the cassette is in the correct position. (The window is not red.)
Microphone cable, remote control cable	<ul style="list-style-type: none"> Firmly connected to the respective jacks of the video camera recorder (p. 10).
Video camera recorder	<ul style="list-style-type: none"> Set POWER to CAMERA (p. 9). Set STANDBY/LOCK to STANDBY (p. 9).
O-ring	<ul style="list-style-type: none"> No scratches or cracks. No dust, sand or hair around it. Correctly set in the groove (p. 8).
Buckles	<ul style="list-style-type: none"> Correctly fastened (p. 12).

Français

Tables des matières

Caractéristiques	2
Accessoires fournis	3
Précautions	4
Nomenclature	5
Position de l'adaptateur et du câble de télécommande	6
Remarques sur le joint torique	8
Fixation du camescope dans le Marine Pack	9
Enregistrement	13
Si le témoin LEAK clignote	14
Retrait du camescope	15
Enregistrement sous-marin	16
Spécifications	17
Liste des vérifications avant enregistrement	17



Ce logo indique qu'il s'agit d'un accessoire d'origine pour les produits vidéo Sony. Quand vous achetez des produits vidéo Sony, Sony vous recommande les accessoires portant le logo "GENUINE VIDEO ACCESSORIES".

Caractéristiques

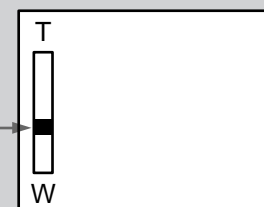
Le Marine Pack MPK-TRV2 permet d'utiliser dans l'eau les camescopes 8 mm suivants.

CCD-TR44	CCD-TRV11
CCD-TR54	CCD-TRV12
CCD-TR64	CCD-TRV21
CCD-TR66	CCD-TRV22
CCD-TR74	CCD-TRV30
CCD-TR78	CCD-TRV32
CCD-TR84	CCD-TRV33
CCD-TR86	CCD-TRV40
CCD-TR88	CCD-TRV41*
CCD-TR94	CCD-TRV52
CCD-TR96	CCD-TRV53
CCD-TR98	CCD-TRV62
CCD-TR99	CCD-TRV70
CCD-TR200	CCD-TRV72
CCD-TR300	CCD-TRV81*
CCD-TR500	CCD-TRV82
CCD-TR514	CCD-TRV101
CCD-TR555	CCD-TRV112
CCD-TR614	CCD-TRV212
CCD-TR710*	CCD-TRV312
CCD-TR714	CCD-TRV512
CCD-TR814	
CCD-TR910*	
CCD-TR916	
CCD-TR930	
CCD-TR2300*	
CCD-TR3000*	
CCD-TR3300*	
CCD-TR3400	

- Un enregistrement à une profondeur de 246 pieds (75 mètres) est possible.
- Les fonctions suivantes sont utilisables sous l'eau.
 - Mise sous/hors tension
 - Mise en/hors service de l'autofocus (modèles signalés par un* seulement)
 - Marche/arrêt d'enregistrement
 - Zoom électrique

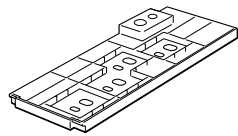
Si de la poussière ou des taches apparaissent sur la vitre avant du Marine Pack, pousser légèrement le levier du zoom électrique vers "T" (téléphoto) pour que le témoin à l'intérieur du viseur se déplace vers "T". (Voir l'illustration ci-dessous.)

Témoin de zoom dans le viseur.



Lorsque vous utilisez le Marine pack, nous vous conseillons d'utiliser un convertisseur grand angle (non fourni).

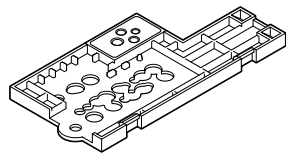
Accessoires fournis



Adaptateur A (1)



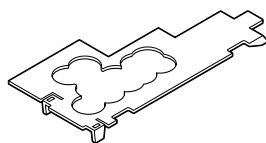
Jointts toriques (2)



Adaptateur B (1)



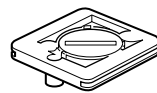
Graisse (1)



Adaptateur C (1)



Sangle à accessoires (1)



Plaque de montage (1)



Adaptateur de viseur (1)

F

Précautions

A propos du caméscope

Veiller à ne pas exposer le caméscope aux embruns marins et à ne pas le mouiller.

- Eviter d'ouvrir le Marine Pack en mer ou sur une plage. Les préparatifs, tels que la mise en place et la vérification de l'appareil, doivent être effectués dans un endroit sec et à l'abri de l'air marin.
- Si le caméscope doit être utilisé en mer pendant longtemps, il est conseillé de le faire vérifier régulièrement par un revendeur Sony.
- Si le caméscope a été mouillé, l'emporter immédiatement chez le revendeur Sony pour le faire contrôler.

Source d'alimentation du caméscope

Nous vous conseillons d'utiliser des batteries rechargeables ayant une grande capacité. Cependant avec certains caméscopes, les batteries rechargeables NP-99/4500/F930 ne peuvent pas être utilisées.

A propos du Marine Pack

- Si le Marine Pack est plongé dans l'eau après avoir été ouvert et scellé dans un endroit très chaud et très humide, une condensation d'eau risque de se produire qui peut embuer le verre.
- L'étanchéité du Marine Pack dépend du joint torique ainsi que de la rainure et de la surface avec lesquels il est en contact. Veiller tout particulièrement à ne pas endommager ou déformer ces pièces.
- Ne pas laisser le Marine Pack en plein soleil pendant une durée prolongée, car l'élévation de la température interne peut endommager le caméscope qui se trouve à l'intérieur.
- Si le Marine Pack doit être laissé en plein soleil, prendre soin de le recouvrir d'une serviette ou autre.
- Ne pas jeter le Marine Pack dans l'eau, mais l'immerger avec précaution.

Enregistrement sous-marin

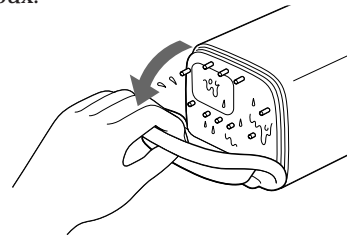
- Avant la plongée, il est conseillé de vérifier que l'appareil fonctionne et que l'eau ne s'infiltré pas à l'intérieur à trois pieds de profondeur (un mètre).
- Respecter strictement les règles de plongée, notamment en ce qui concerne la durée et la profondeur.
- Avant un enregistrement, enlever les bulles sur l'extérieur du verre avant.

Sony décline toute responsabilité pour les dégâts que le caméscope, la batterie et les autres composants du Marine Pack ainsi que le matériel enregistré peuvent avoir subis suite à une infiltration d'eau provenant d'une utilisation inadéquate.

Entretien

Après avoir filmé sous l'eau, plonger le Marine Pack, toutes boucles fermées, pendant un certain temps dans de l'eau douce. Le rincer ensuite à l'eau douce, puis le sécher avec un chiffon sec.

- Chaque fois que le Marine Pack est utilisé avec le caméscope sous l'eau, nettoyer le caméscope et l'intérieur du Marine Pack avec un chiffon doux et sec. Ne pas utiliser de solvants, tels que l'alcool ou la benzine, pour ne abîmer la finition.
- Avant de ranger le Marine Pack, graisser les joints toriques puis les insérer comme il faut dans les rainures. Fermer le Marine Pack et le mettre dans un endroit frais sans serrer les boucles. Eviter d'entreposer le Marine Pack dans un endroit très chaud ou froid, en plein soleil, dans un endroit poussiéreux ou avec de la naphthaline ou du camphre, car il pourrait être endommagé.
- Si de l'eau rentre entre la partie arrière et la partie en caoutchouc, enlever le caoutchouc et le nettoyer avec un chiffon doux.

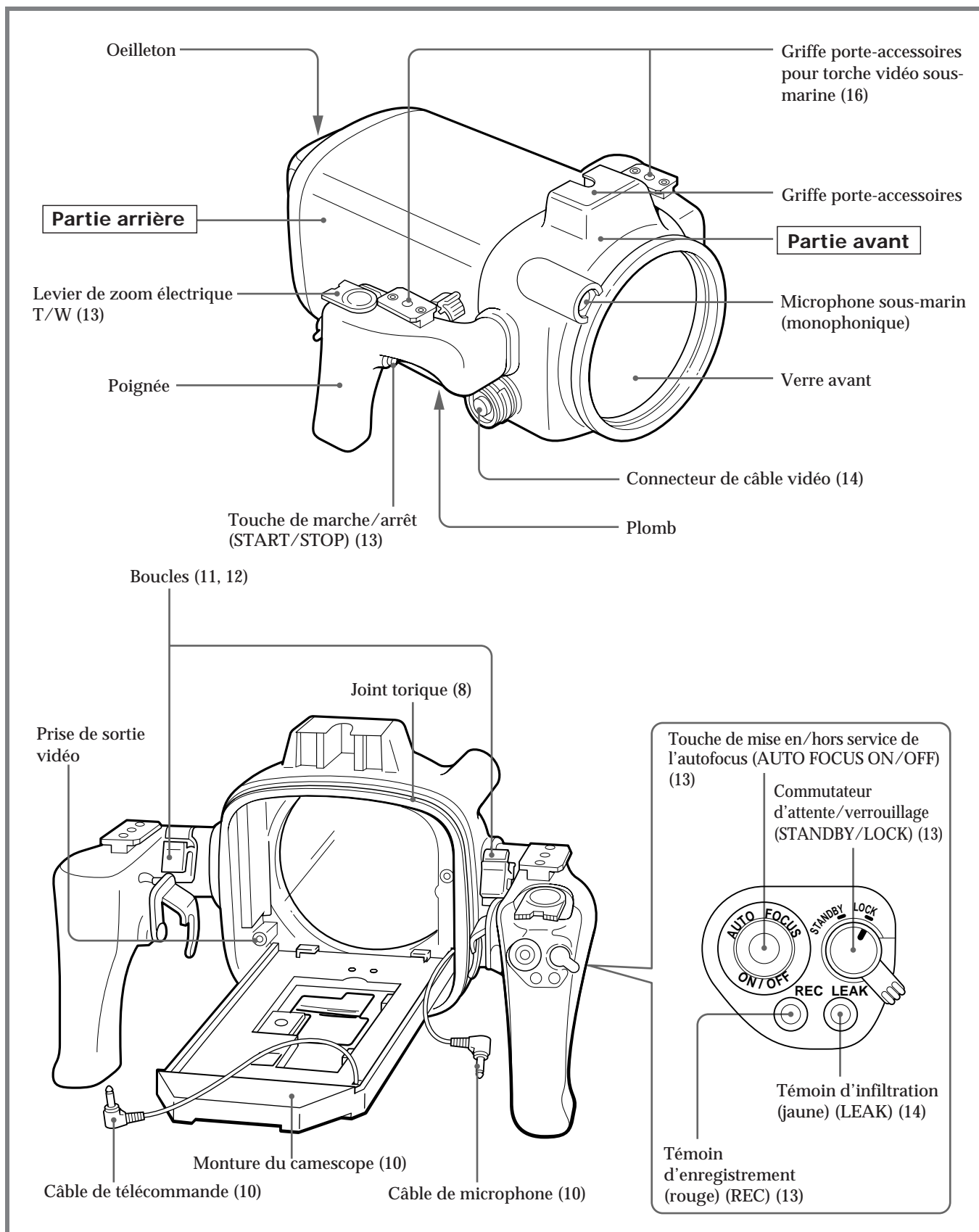


Transport

- Avant de transporter le Marine Pack, en retirer le caméscope.
- Pour transporter le Marine Pack en avion ou en voiture, utiliser une valise de transport (non fournie).

Nomenclature

- Pour l'utilisation de chaque élément ou commande, voir les pages indiquées entre parenthèses.



Position de l'adaptateur et du câble de télécommande

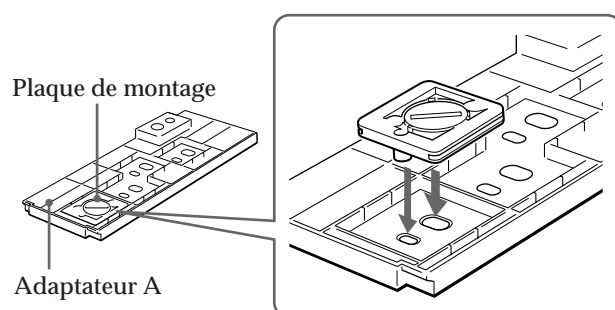
La position de l'adaptateur et de la plaque de montage dépend du camescope. Voir page suivante pour l'ajustement de l'adaptateur et la position de la plaque de montage.

Vérifier leur position pour le camescope utilisé. Voir les explications "Fixation du camescope dans le Marine Pack" à la page 9.

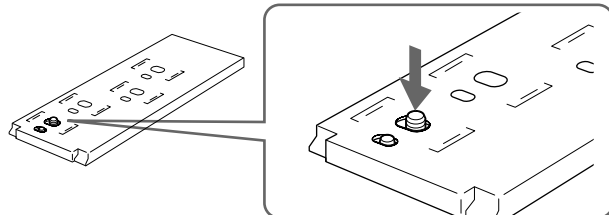
Position de la plaque de montage sur l'adaptateur

Placez la plaque de montage sur le numéro d'adaptateur correspondant à votre modèle de camescope.

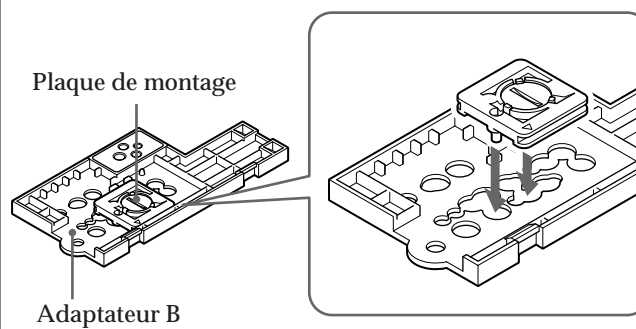
Adaptateur A



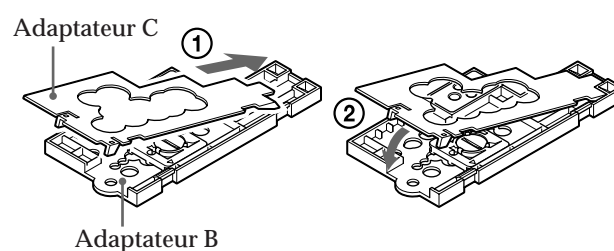
Pour le démonter après utilisation.



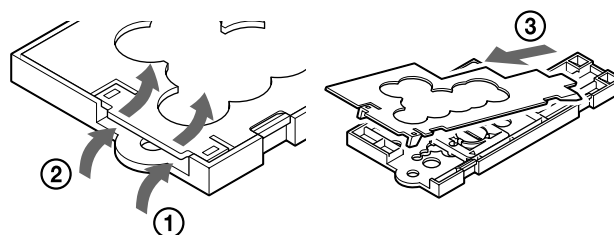
Adaptateur B



Fixer l'adaptateur C sur l'adaptateur B.



Pour détacher l'adaptateur C de l'adaptateur B.



Camescope CCD-	Position de la plaque de montage sur l'adaptateur		Camescope CCD-	Position de la plaque de montage sur l'adaptateur	
	Sans convertisseur grand angle	Avec convertisseur grand angle		Sans convertisseur grand angle	Avec convertisseur grand angle
TRV30/TRV40/TRV70	A1	A2	TR200/TR300/TR500	B1	B3
TR44/TR54/TR64/TR66/ TR74/TR78/TR84/TR88/ TR94/TR98/TR99/TR514/ TR614/TR714/TR814	A3	TR86/TR96/TR916/TRV11/ TRV12/TRV21/TRV22/ TRV32/TRV33/TRV52/ TRV53/TRV112/TRV212/ TRV312/TRV512	B2	B5	
		TRV62/TRV72/TRV82	B2	B9	
		TR3000	B3	B6	
		TR555	B3	B7	
		TRV101	B3	—	
		TR710/TR910	B4	B6	
		TR2300/TR3300/TR3400/ TRV41/TRV81	B4	B7	
		TR930	B5	B8	

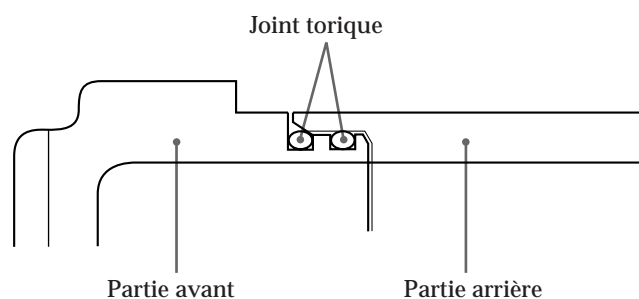
A, B — Adaptateur à utiliser
1, 2, 3... — Numéro correspondant sur l'adaptateur

Remarques

- Le camescope CCD-TRV101 ne peuvent pas être équipés d'objectif grand angle.
- Si vous fixez un objectif grand angle sur les camescopes CCD-TRV11/TRV12/TRV21/TRV22/TRV33/TRV41/TRV81/TRV112/TRV212, vous ne pourrez pas fixer l'adaptateur de viseur.
- Si un objectif grand angle est fixé sur les camescopes CCD-TRV11/TRV12/TRV21/TRV22/TRV33/TRV112/TRV212, les batteries rechargeables Sony NP-99/4500 ne pourront pas être utilisées.
- Si un objectif grand angle est fixé sur les camescopes CCD-TR2300/TR3300/TR3400, la batterie rechargeable Sony NP-F930 ne pourra pas être utilisée.

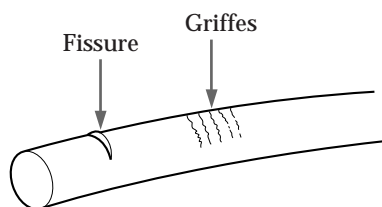
Remarques sur le joint torique

Le joint torique assure l'étanchéité du Marine Pack. Pour prévenir toute infiltration d'eau, ce joint doit être utilisé correctement. Une infiltration d'eau peut provenir d'une mauvaise manipulation.



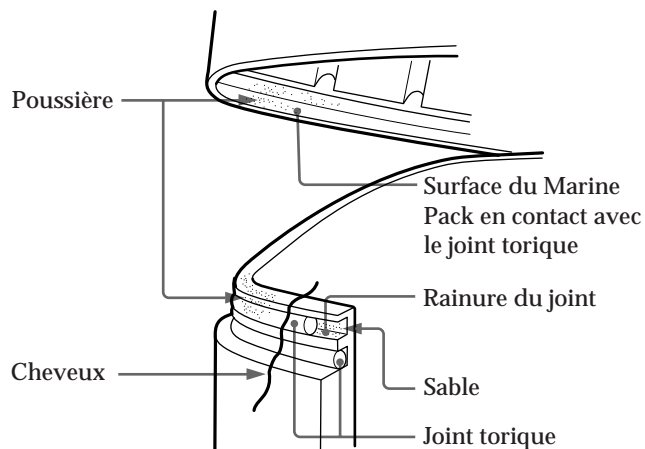
Présence de fissures ou de griffes

Des fissures ou des griffes sur le joint torique peuvent entraîner une infiltration d'eau. Si le joint est endommagé, le remplacer par un neuf. Ne pas retirer le joint torique de la rainure à l'aide d'un outil métallique ou d'un objet pointu.



Enlever la poussière, le sable et les cheveux sur le joint torique

Vérifier qu'il n'y a pas de poussière, de sable ou de cheveux sur le joint torique ou dans la rainure et sur la surface du Marine Pack avec laquelle le joint torique est en contact. Le cas échéant, les enlever, sinon le joint torique et la surface du Marine Pack risquent d'être endommagés et une infiltration de se produire.



Graissage du joint torique

La graisse protège le joint torique de l'usure. Après avoir vérifié qu'il n'y a aucune fissure ni poussière sur le joint, le graisser avec le bout du doigt. En le graissant, s'assurer encore une fois qu'il n'y a pas de fissure ni de poussière.

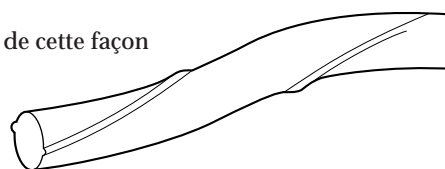
Ne jamais utiliser de tissu ou de papier soie pour le graissage, car des fibres pourraient rester collées. Utiliser uniquement le type de graisse fournie, afin d'éviter d'endommager le joint torique.

Quand le tube de graisse au silicone (2-115-921-01) est épuisé, il est possible de s'en procurer auprès d'un service après-vente Sony.

Ne pas tordre le joint torique

Poser le joint bien à plat dans sa rainure sans le tordre.

Pas de cette façon



Ne pas pas coincer le joint torique

Lors du scellage, prendre soin de ne pas coincer le joint torique entre les parties avant et arrière du Marine Pack, car non seulement il risque d'être endommagé mais de l'eau peut s'infiltrer.

Entreposage

Ranger les joints toriques fournis dans le carton original et entreposer celui-ci dans un endroit frais.

- Ne pas exposer le joint torique à la lumière directe du soleil.
- Ne pas placer d'objet lourd sur le joint.
- Ne pas tordre le joint.

Durée d'utilisation du joint torique

Elle dépend de l'entretien et de la fréquence d'utilisation, mais il est conseillé de le changer chaque année ou tous les deux ans.

Il est possible de se procurer un nouveau joint torique (3-952-928-01) auprès d'un service après-vente Sony.

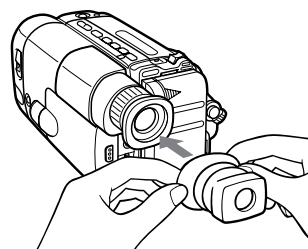
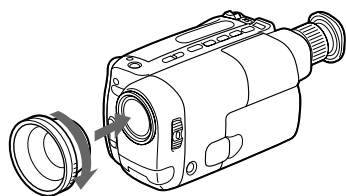
Fixation du camescope dans le Marine Pack

1 Enlever le capuchon d'objectif, la bandoulière, le filtre, etc, du camescope.

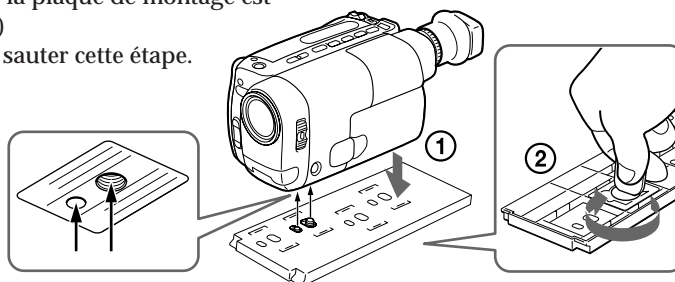
2 Fixer une batterie rechargée et insérer une cassette vidéo.

3 Fixer l'objectif grand angle (non fourni). Avec l'objectif grand angle, la plage de prise de vues devient plus large et le sujet plus petit.

4 Fixer l'adaptateur de viseur. Si l'adaptateur de viseur bouge quand il est fixé, rabattre l'oeillon du camescope et insérer à nouveau l'adaptateur.

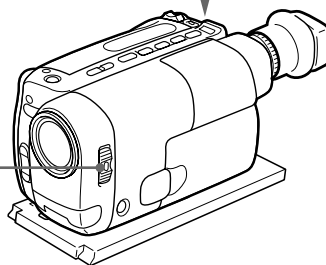
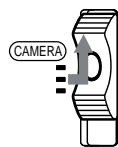


5 Si l'adaptateur A est utilisé, le fixer sur le camescope. S'assurer que la position de la plaque de montage est correcte. (Voir pages 6 et 7.) Si l'adaptateur B est utilisé, sauter cette étape.



6 Effectuer les réglages sur le camescope. Se reporter au mode d'emploi du camescope.

1 Mettre l'interrupteur POWER sur CAMERA.



2 Mettre le commutateur STANDBY sur STANDBY.



Les réglages suivants sont indispensables si le camescope présente ces fonctions. Se reporter au mode d'emploi du camescope pour les détails.

Balance du blanc	Normalement, régler sur ☀ (extérieur). Régler sur ☁ (intérieur) pour la plongée nocturne.
Vitesse d'obturation	Régler sur la position sans témoin.
Programme AE	Régler sur la position sans témoin.
Luminosité	Eteindre le témoin.

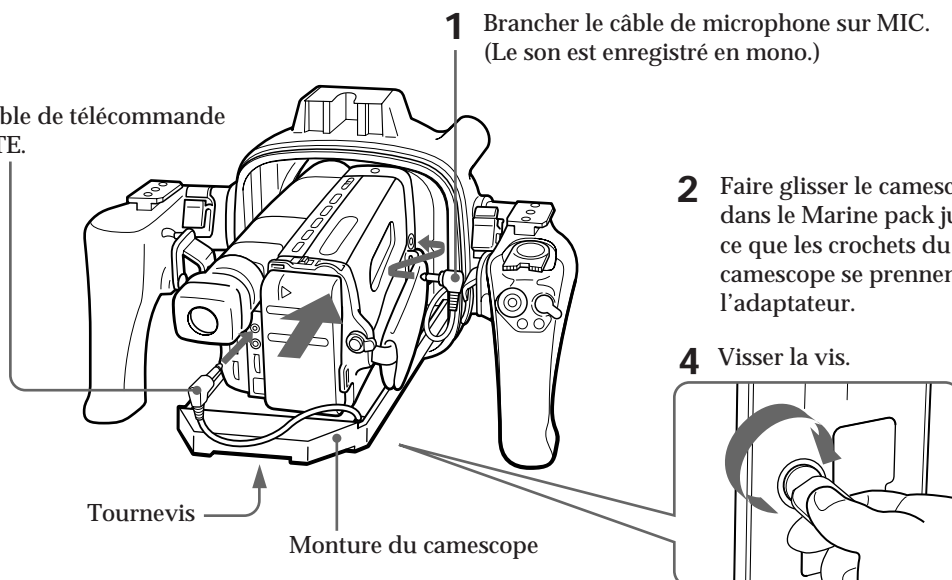
Sur certains modèles de camescope, vous ne pouvez pas régler la mise au point à l'aide de la touche du Marine pack. Dans ce cas, sélectionnez le mode de mise au point automatique (voir page 2).

(voir page suivante)

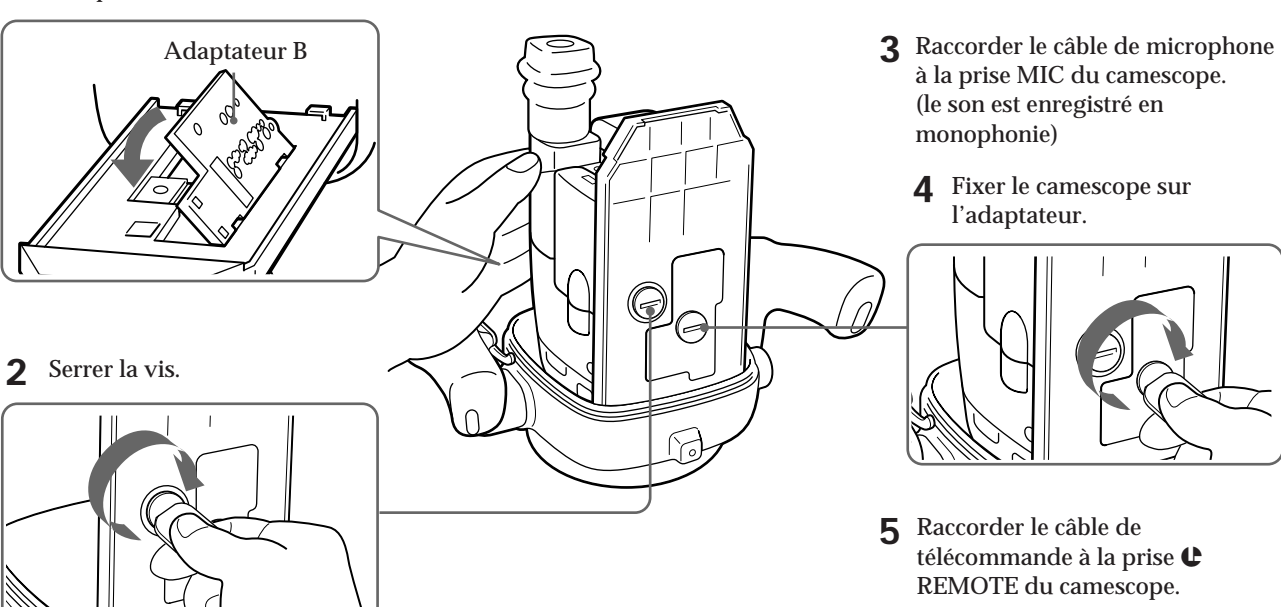
Fixation du caméscope dans le Marine Pack

- 7** Fixer le caméscope dans le Marine Pack.
Vérifier la position de l'adaptateur. (Voir pages 6 et 7.)

Quand l'adaptateur A est utilisé

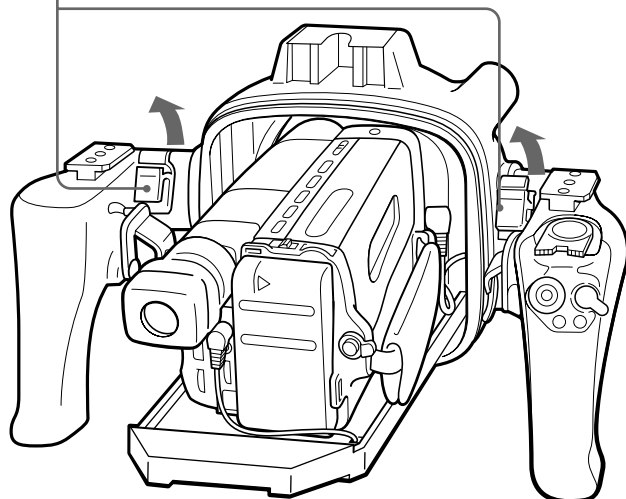
- 1** Brancher le câble de microphone sur MIC.
(Le son est enregistré en mono.)
 - 2** Faire glisser le caméscope dans le Marine pack jusqu'à ce que les crochets du caméscope se prennent dans l'adaptateur.
 - 3** Brancher le câble de télécommande sur **REMOTE**.
 - 4** Visser la vis.
- 
- Tournevis
- Monture du caméscope

Quand l'adaptateur B est utilisé

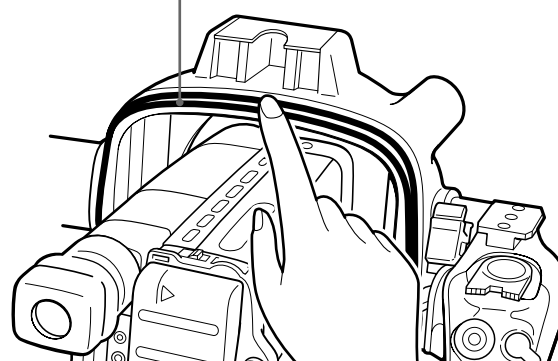
- 1** Aligner le côté droit de l'adaptateur sur les crochets de la monture de caméscope, puis appuyer sur l'adaptateur.
 - 2** Serrer la vis.
 - 3** Raccorder le câble de microphone à la prise MIC du caméscope.
(le son est enregistré en monophonie)
 - 4** Fixer le caméscope sur l'adaptateur.
 - 5** Raccorder le câble de télécommande à la prise **REMOTE** du caméscope.
- 
- Adaptateur B

8 Relever complètement les boucles.

Boucles



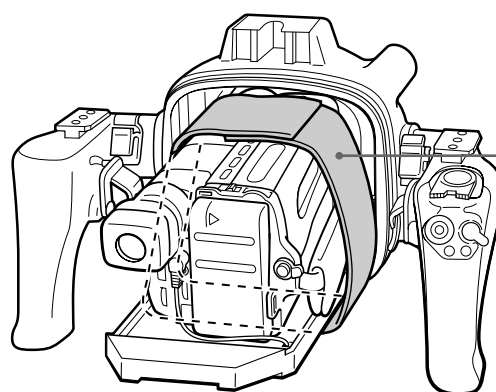
Joint torique



Vérifier le joint torique et le graisser légèrement.

9 Maintenir le camescope à l'aide de la sangle à accessoires.

Lorsque vous fixez le camescope à l'aide de la sangle à accessoires, veillez à ne pas toucher la touche de commande du zoom.



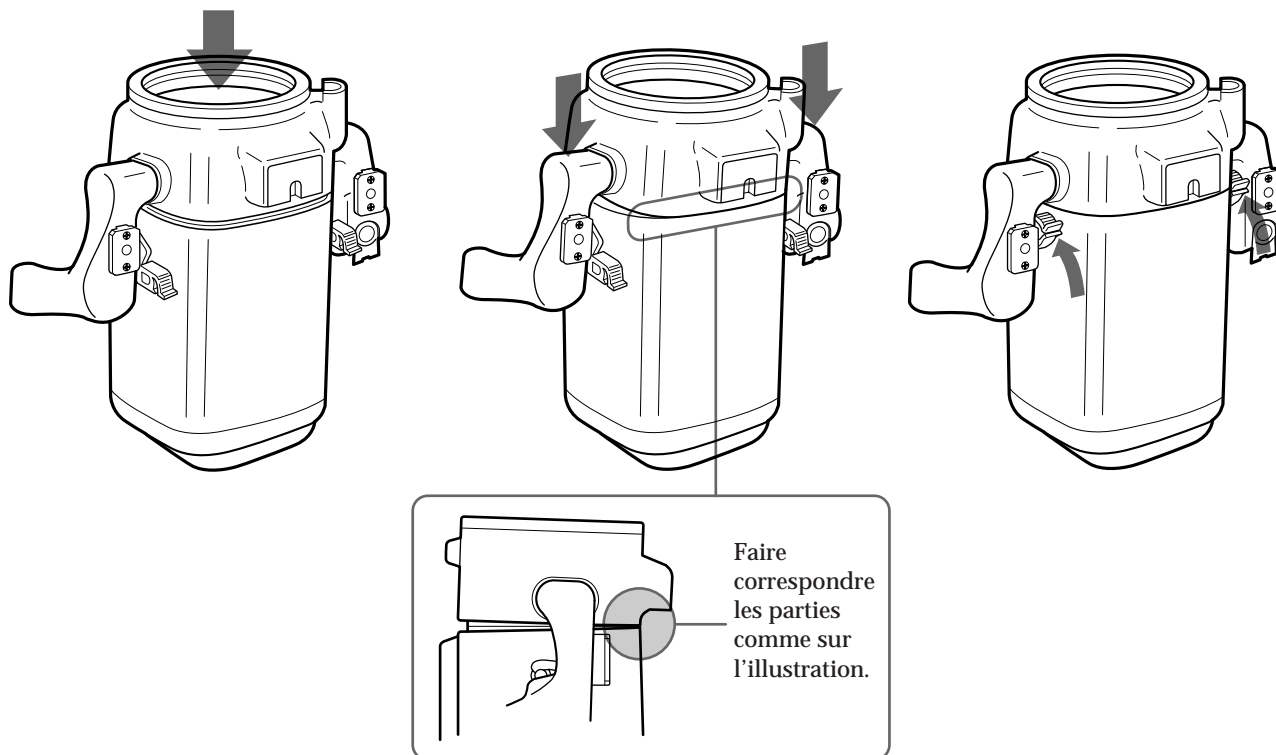
Sangle à accessoires

(voir page suivante)

Fixation du camescope dans le Marine Pack

10 Fixer la partie avant sur la partie arrière.

- 1 Mettre la partie avant sur la partie arrière.
- 2 Appuyer fermement sur le haut de chaque poignée.
- 3 Rabattre les boucles en même temps de manière qu'elles se bloquent. Un déclic est audible.



L'appareil est prêt pour l'enregistrement sous-marin

Mettre le commutateur STANDBY/LOCK du Marine Pack sur LOCK.
S'il est sur STANDBY, la batterie risque d'être épuisée avant l'enregistrement.

Remarque

Quand l'adaptateur de viseur est installé sur le viseur du camescope, l'image qui apparaît dans le viseur est grossie, mais vue de côté, elle peut paraître déformée.

Enregistrement

Avant la plongée en profondeur, s'assurer que l'appareil fonctionne correctement et qu'il n'y a pas d'infiltration d'eau à environ un mètre (3 pieds) de profondeur.

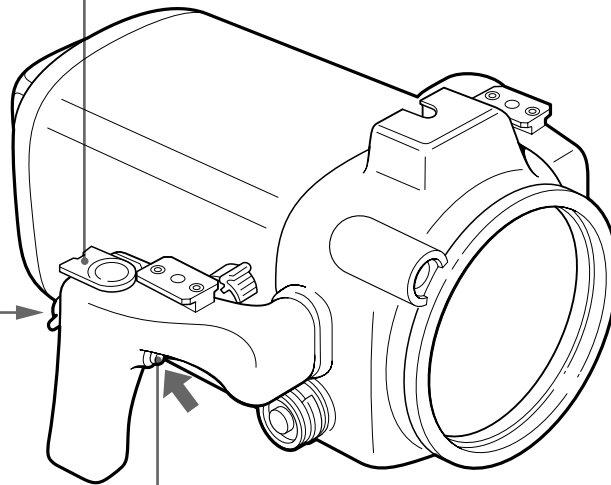
- 1 Mettre le commutateur STANDBY/LOCK sur STANDBY.



Le témoin rouge d'enregistrement (REC) s'allume pendant la prise de vues.

Touche AUTO FOCUS ON/OFF

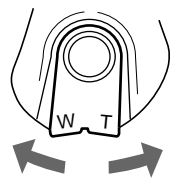
Levier de zoom électrique



- 2 Appuyer sur la touche START/STOP pour commencer l'enregistrement.

Variation de focale

Pousser le levier de zoom électrique vers T pour la téléphoto (sujet rapproché) et vers W pour le grand angle (sujet éloigné). On peut augmenter la vitesse du zoom sur certains modèles de caméscope en appuyant un peu plus sur le levier.



Grand angle Téléphoto

Lorsque le levier du zoom électrique est à la position extrême du grand angle (macro), les taches ou des bulles sur le verre avant peuvent devenir visibles. Dans ce cas, pousser le levier un peu vers T puis revenir vers W.

Verrouillage de la mise au point

Après avoir effectué la mise au point, appuyer sur la touche AUTO FOCUS ON/OFF pour passer au mode de mise au point manuel du caméscope. La mise au point ne changera pas si un poisson nage devant le caméscope.

Remarque

Sur certains modèles de caméscope, la touche AUTO FOCUS ON/OFF est inopérante. Régler le caméscope en mode de mise au point automatique (voir page 2).

Arrêt de l'enregistrement

Appuyer sur la touche START/STOP.

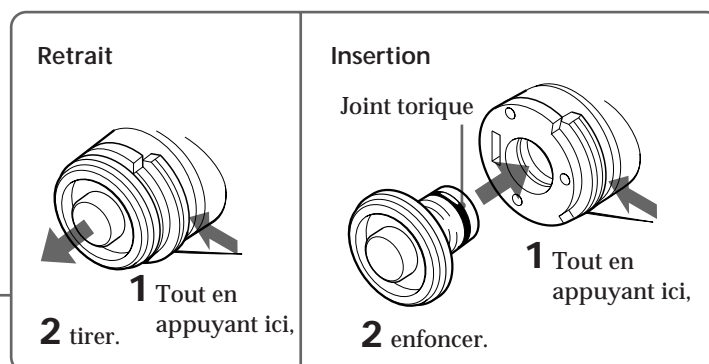
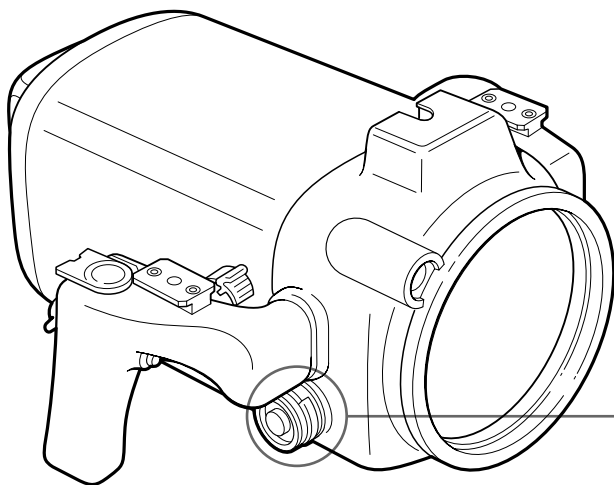
(voir page suivante)

Enregistrement

Insertion et retrait du cache-connecteur de câble vidéo

Le connecteur de câble vidéo se trouvant sur le Marine Pack permet de raccorder celui-ci à un appareil vidéo.

Avant d'insérer le cache dans le connecteur, graisser le joint torique.



Remarque

Ne pas enlever le cache sous l'eau.

Si le témoin LEAK clignote

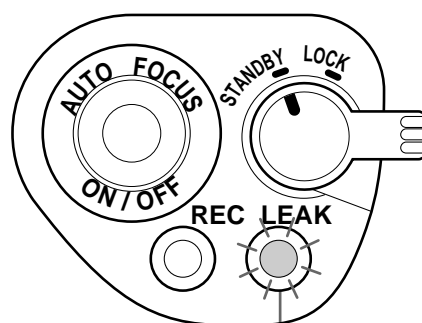
Si de l'eau s'infiltré dans le Marine Pack, le témoin LEAK (jaune) clignote.

Dans ce cas, retirer le Marine Pack le plus vite possible de l'eau en le tenant à l'horizontal. Veiller à respecter les règles de plongée en refaisant surface.

Après avoir séché le Marine Pack avec un chiffon doux, l'ouvrir.

Débrancher le câble de télécommande pour éteindre le témoin et rechercher la cause de l'infiltration.

Si le camescope est mouillé, le confier immédiatement à revendeur Sony.



Témoin d'infiltration (jaune) (LEAK)

Retrait du camescope

Avant d'ouvrir le Marine Pack, le rincer à l'eau douce, puis le sécher avec un chiffon sec.

Remarque

Ouvrir en respectant les points suivants le Marine Pack afin d'éviter que le camescope ne soit mouillé.

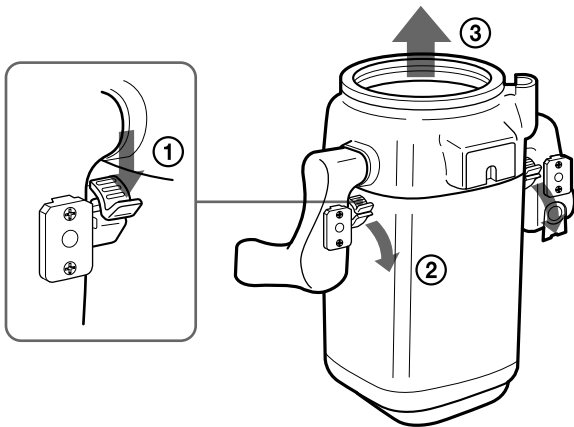
- Bien sécher le Marine Pack.
- Essuyer l'eau entre les parties avant et arrière du Marine Pack à l'aide d'une serviette.
- Veiller à ne pas être mouillé et à ce qu'aucune goutte d'eau ne tombe du vêtement isothermique.

1 Enlever les accessoires.

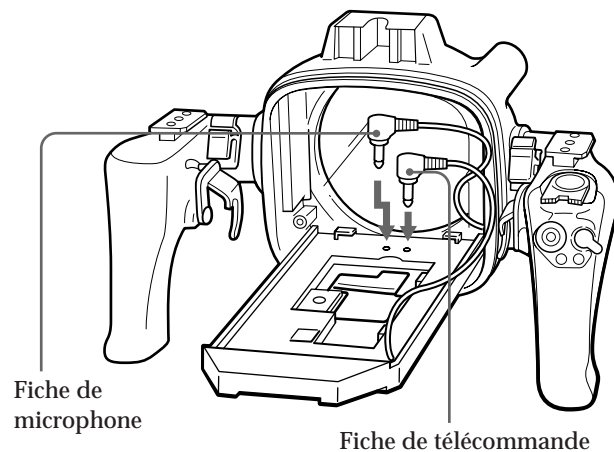
2 Ouvrir le Marine Pack.

1 Avant d'ouvrir le Marine Pack, le rincer à l'eau douce et l'essuyer avec un chiffon doux.

2 Desserrer les deux boucles et retirer la partie avant.



4 Insérer la fiche de télécommande et celle du microphone dans leurs prises respectives.

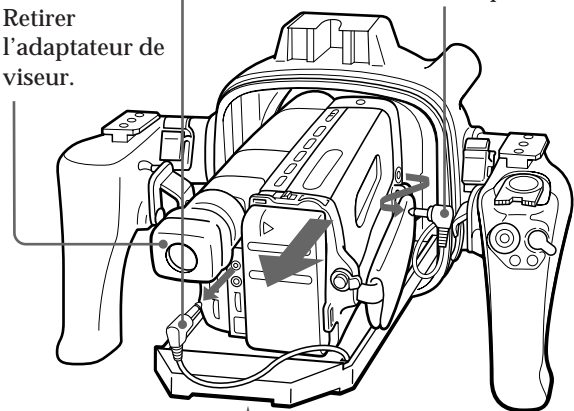


3 Sortir le camescope de la partie avant.

1 Débrancher le câble de télécommande.

4 Débrancher le câble de microphone.

5 Retirer l'adaptateur de viseur.

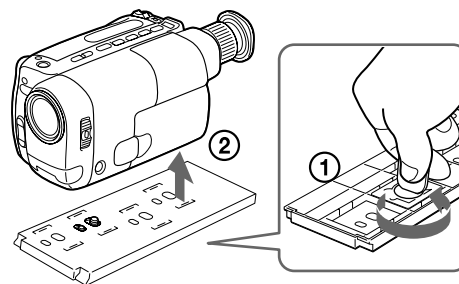


2 Desserrer la vis.

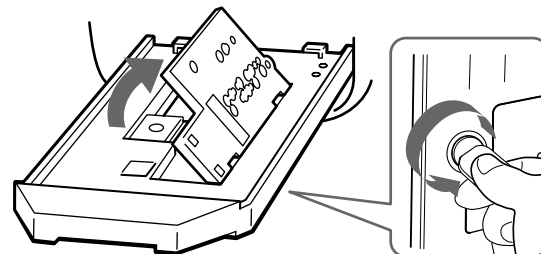
3 Enlever le camescope.

5 Retirer l'adaptateur.

Adaptateur A



Adaptateur B



Enregistrement sous-marin

Un enregistrement sous-marin diffère d'un enregistrement ordinaire car il dépend de la clarté et de la profondeur de l'eau ainsi que des conditions d'éclairage. Les conseils suivants seront utiles pour réussir des enregistrements sous l'eau.

Caractéristiques des couleurs sous l'eau

Les couleurs absorbent la lumière, particulièrement la lumière rouge, ce qui explique que les objets dans l'eau apparaissent bleus. La couleur des objets est également affectée par la limpidité de l'eau.

Moment de l'enregistrement

Le meilleur moment pour effectuer un enregistrement est entre 10:00 du matin et 2:00 de l'après-midi. Les meilleurs résultats sont obtenus lorsque le soleil est au zénith.

Taille des objets sous l'eau

Etant donné que sous l'eau l'indice de réfraction est plus élevé que dans l'air, un objet se rapproche d' $1/4$ et paraît par conséquent plus grand. Ce phénomène affecte aussi bien l'objectif du camescope que l'oeil humain. C'est pourquoi l'utilisation d'un **objectif de conversion grand angle** (non fourni) est conseillé.

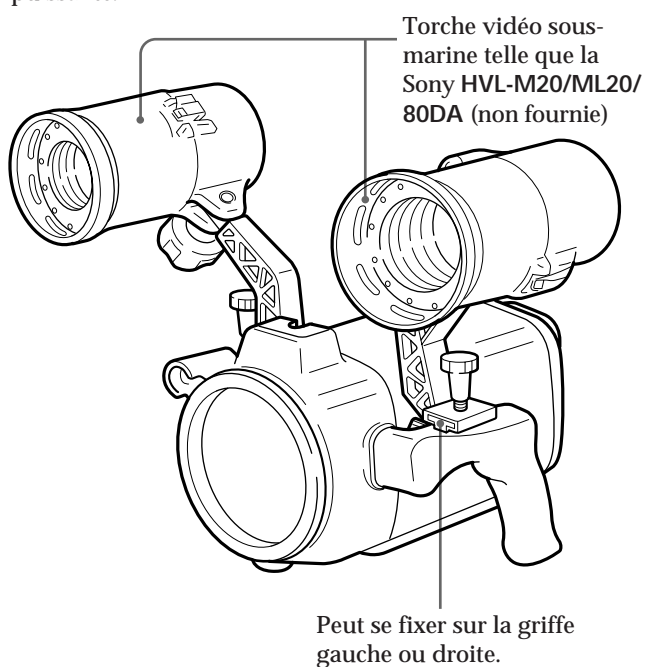
Tournage au ralenti et en position stable

Comme les instabilités de la prise de vues seront renforcées sur le téléviseur, essayer de maintenir une position stable. Déplacer le camescope aussi lentement que possible. Comme la plupart des objets filmés sous l'eau sont en mouvement, un tournage réussi et intéressant est possible sans guère déplacer le camescope.

Torche vidéo sous-marine

En profondeur et sous les rochers, où la lumière directe du soleil ne parvient pas, il est conseillé d'enregistrer avec une torche vidéo sous-marine.

Pour enregistrer la nuit, utiliser une torche sous-marine puissante.



Spécifications

Camescopes compatibles

Voir page 2.

Matériau Alliage d'aluminium, verre, plastique, plomb

Étanchéité Joint torique, deux boucles

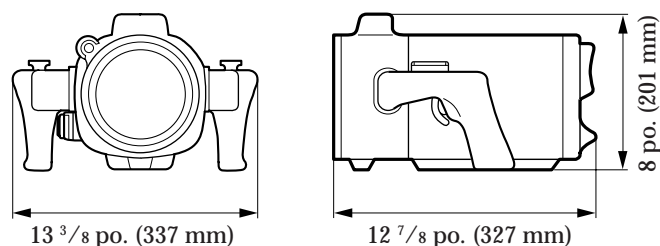
Profondeur utilisable Jusqu'à 246 pieds (75 mètres)

Microphone sous-marin Microphone électrostatique (monophonique)

Fonctions utilisables

Mise sous/hors tension, marche/arrêt d'enregistrement, marche/arrêt de l'auto-focus, zoom électrique

Dimensions



Poids Environ 17 li. 10 on. (8 kg)

Accessoires fournis

Adaptateurs A(1)/B(1)/C(1)

Plaque de montage (1)

Joints toriques (2)

Graisse (1)

Sangle à accessoires (1)

Adaptateur de viseur (1)

Accessoires recommandés

Torche vidéo sous-marine HVL-M20, HVL-ML20, HVL-80DA

Valise de transport LCH-M40

La conception et les spécifications peuvent être modifiées sans préavis.

Liste des vérifications avant enregistrement

Pour ne pas manquer des enregistrements intéressants, passer en revue cette liste avant d'effectuer un enregistrement.

Poste	Points à vérifier
Batterie rechargeable	<ul style="list-style-type: none"> Est-elle rechargée à fond?
Cassette vidéo	<ul style="list-style-type: none"> Une cassette est-elle insérée? La longueur de la cassette est-elle suffisante pour l'enregistrement envisagé? La bande est-elle rembobinée au point où l'enregistrement doit commencer? Le taquet de sécurité de la cassette se trouve-t-il sur la position correcte? (Le voyant n'est pas rouge.)
Câble de microphone, câble de télécommande	<ul style="list-style-type: none"> Sont-ils branchés sur les prises respectives du camescope? (p. 10)
Camescope	<ul style="list-style-type: none"> POWER est-il réglé sur CAMERA? (p. 9) Est-ce que STANDBY/LOCK est réglé sur STANDBY? (p. 9)
Joint torique	<ul style="list-style-type: none"> Absence de fissures et de griffes. Absence de poussière, sable ou cheveux. Est-il correctement inséré dans la rainure? (p. 8)
Boucles	<ul style="list-style-type: none"> Sont-elles correctement fixées? (p. 12)

Sony Corporation Printed in Japan



Sony MPK-TRV2 (EN,F) 3-859-264-1X

Free Manuals Download Website

<http://myh66.com>

<http://usermanuals.us>

<http://www.somanuals.com>

<http://www.4manuals.cc>

<http://www.manual-lib.com>

<http://www.404manual.com>

<http://www.luxmanual.com>

<http://aubethermostatmanual.com>

Golf course search by state

<http://golfingnear.com>

Email search by domain

<http://emailbydomain.com>

Auto manuals search

<http://auto.somanuals.com>

TV manuals search

<http://tv.somanuals.com>