

Singer 114-51

Form 20486
(152)
Printed in U.S.A.

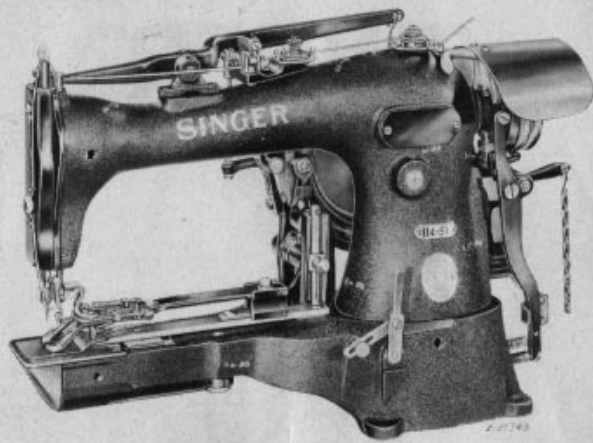
HISTORICAL COPY
DO NOT REMOVE

SINGER**



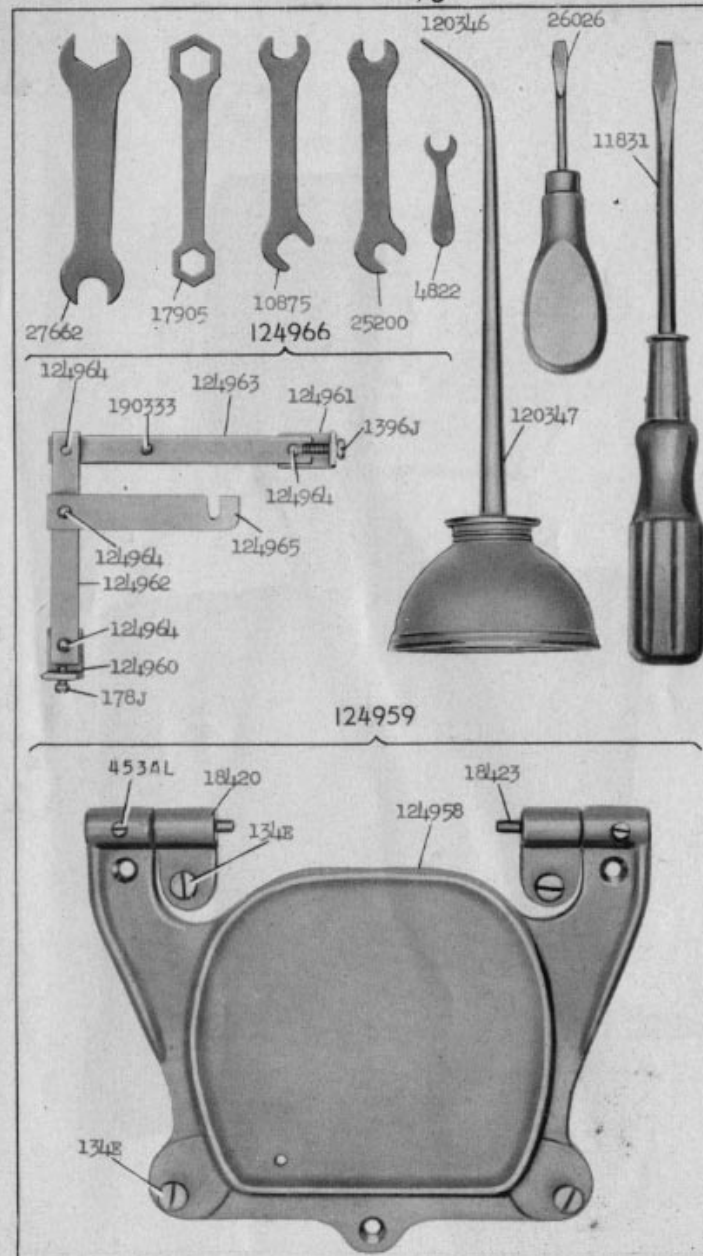
MACHINE No. 114-51

**** A TRADE MARK OF
THE SINGER MANUFACTURING COMPANY**



Copyright, U. S. A., 1940, 1951 and 1952 by
 The Singer Manufacturing Company
 All Rights Reserved for All Countries

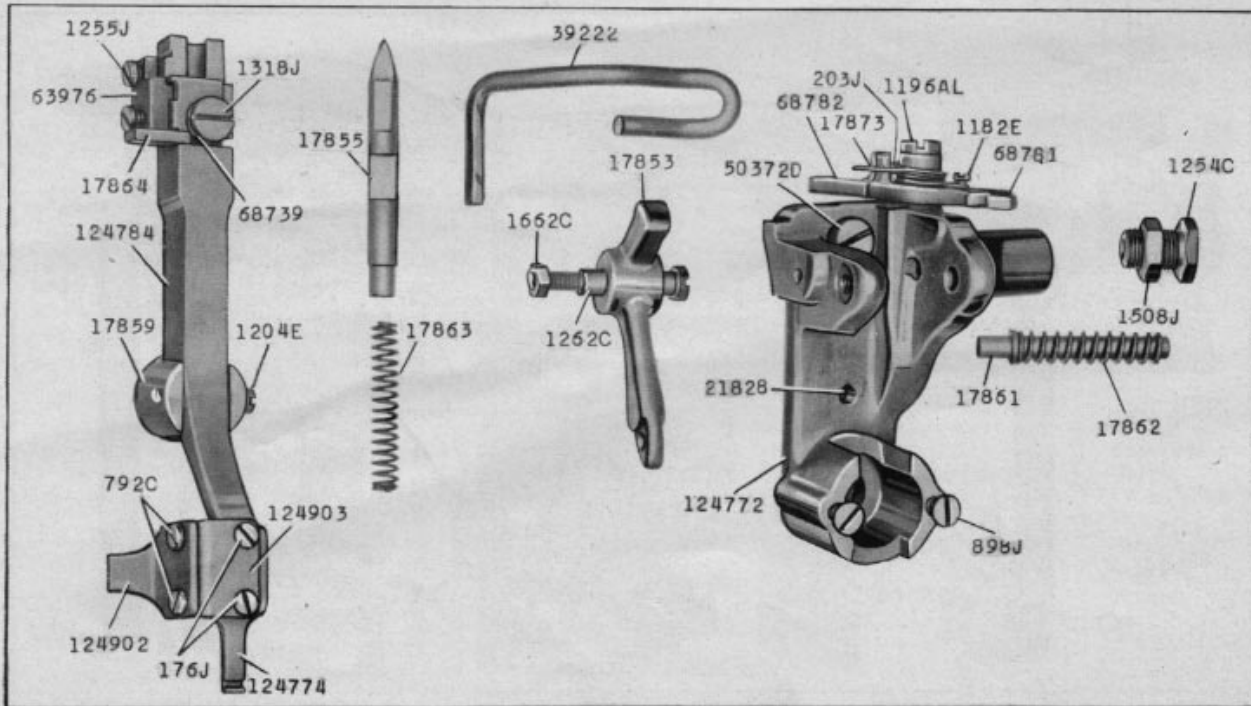
23157 - 1/3



23174 - 1/2

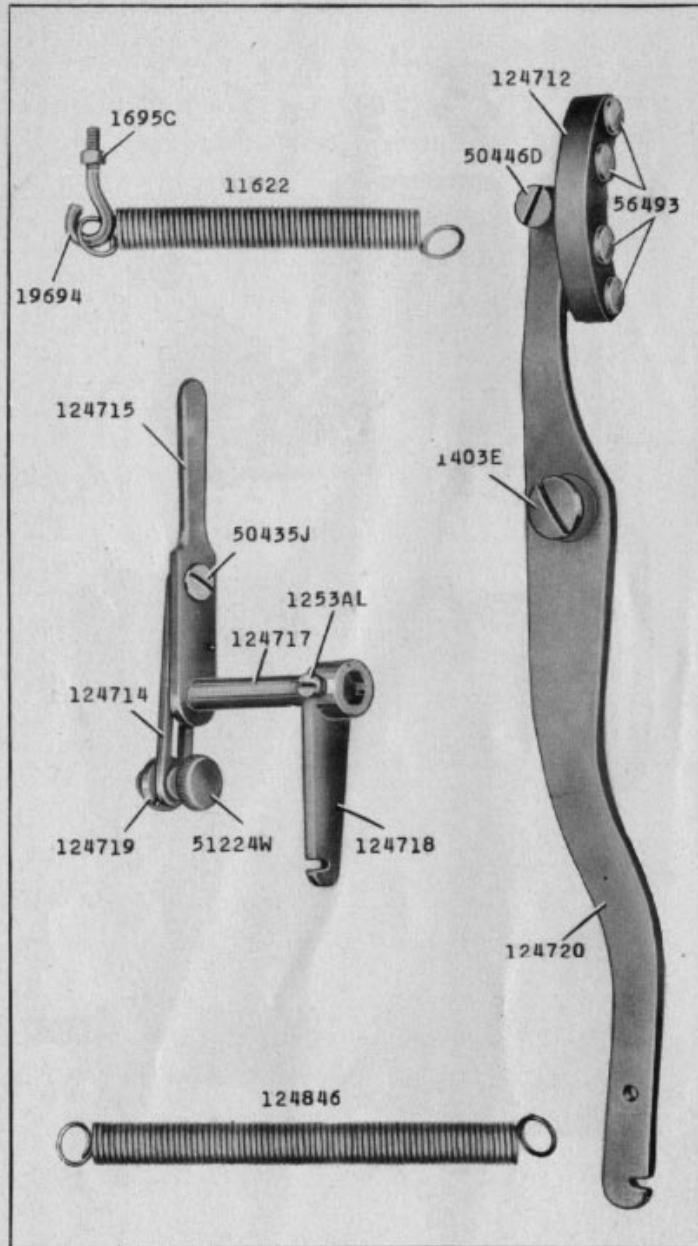
59797

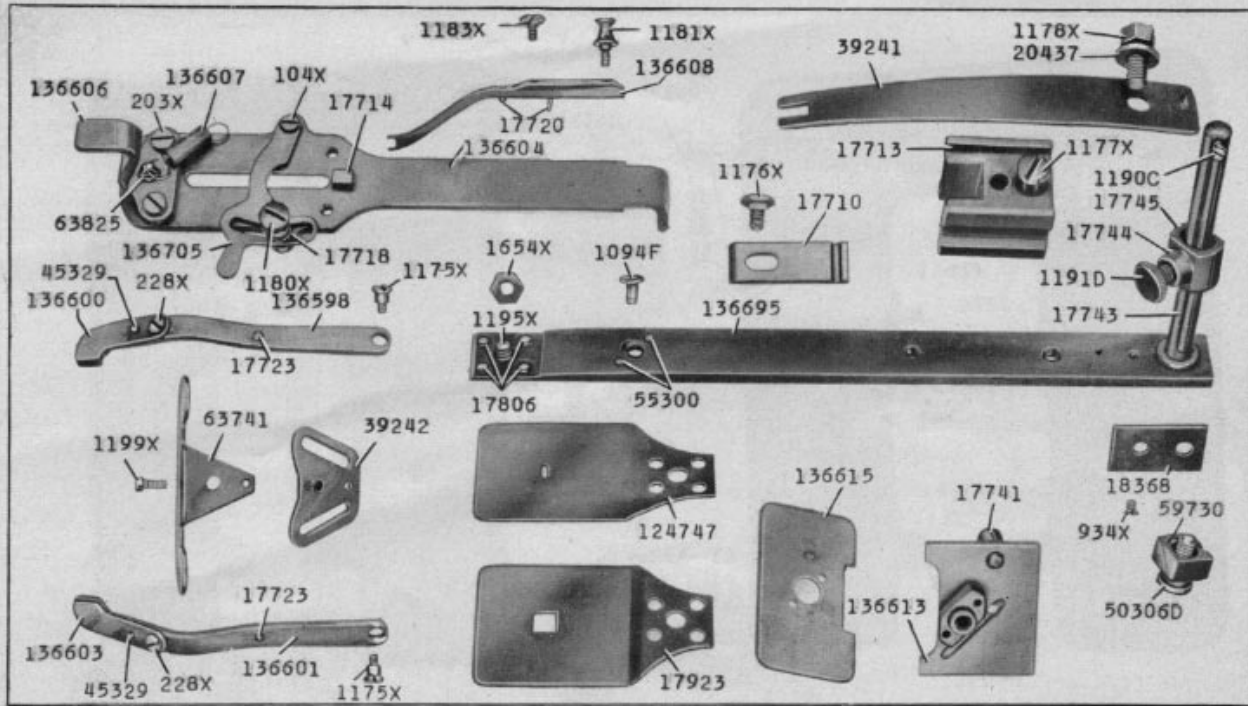




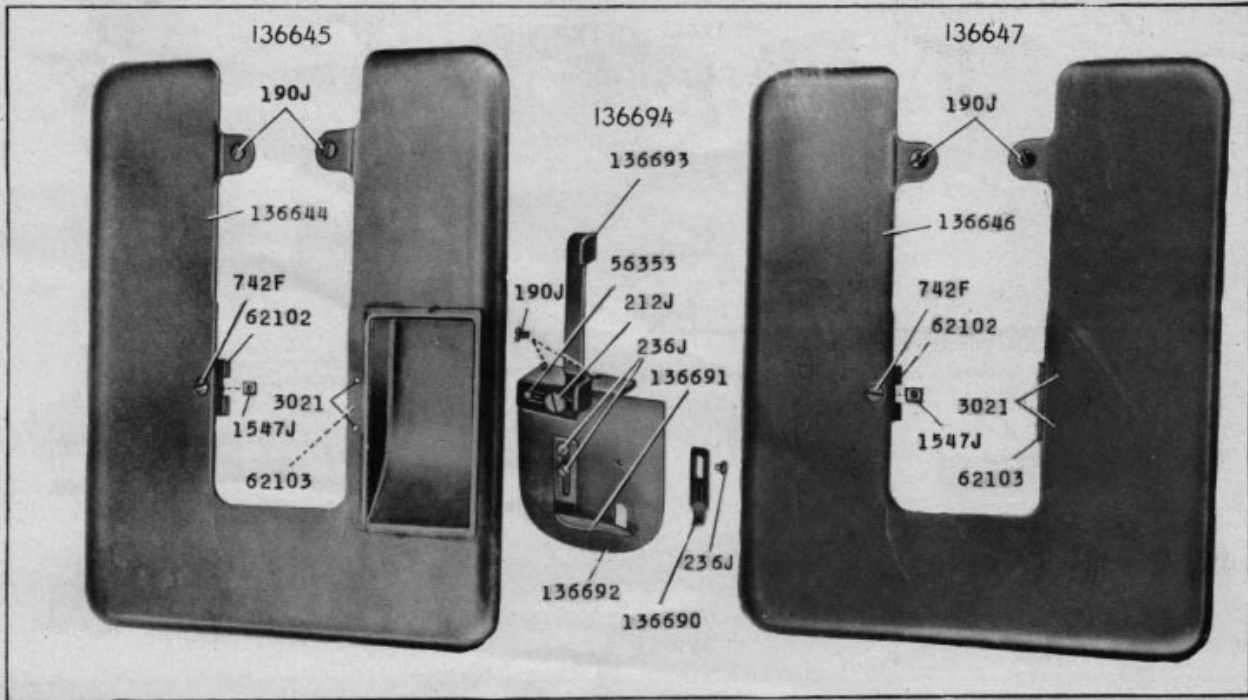
23195-2/3

23196 - 2/3

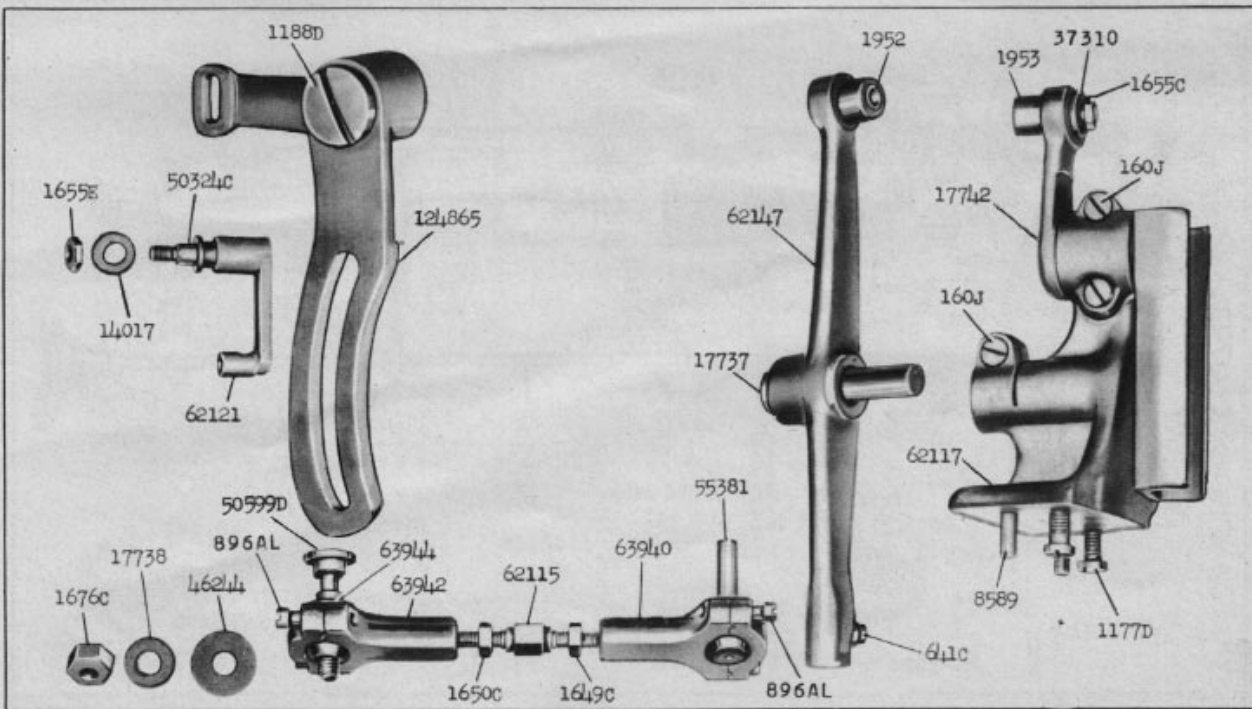




23197-1/2

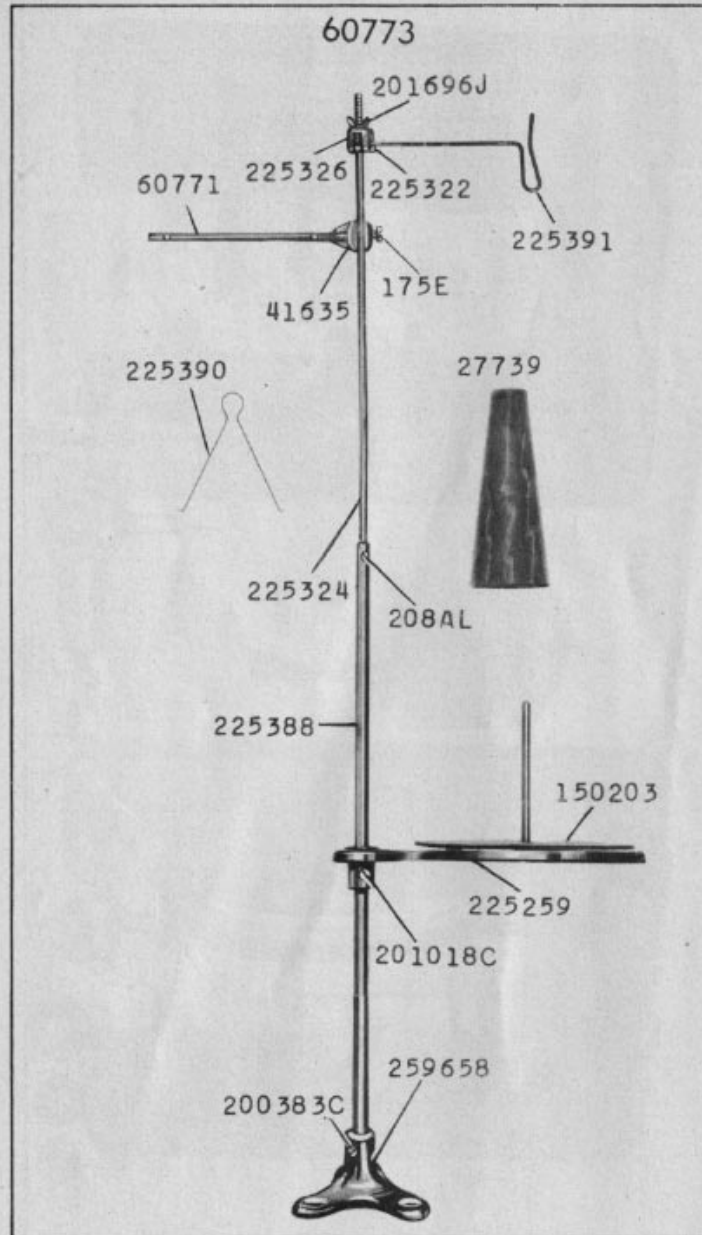


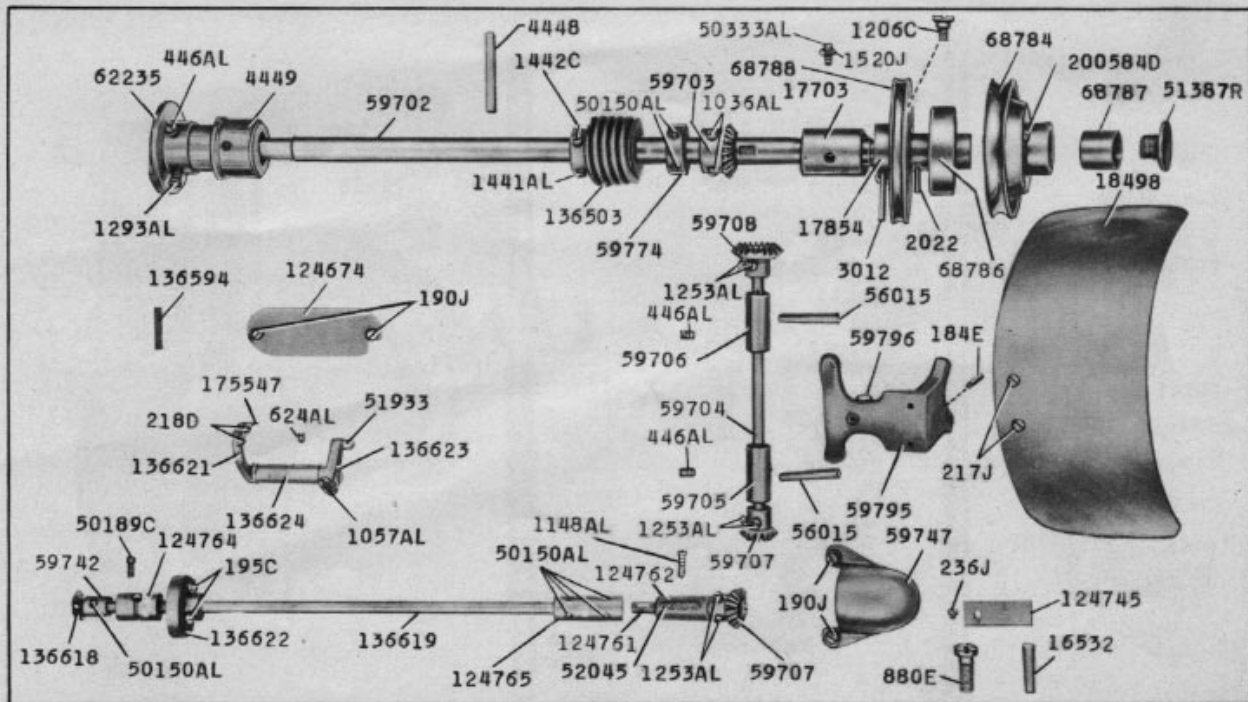
25261 - 1/3



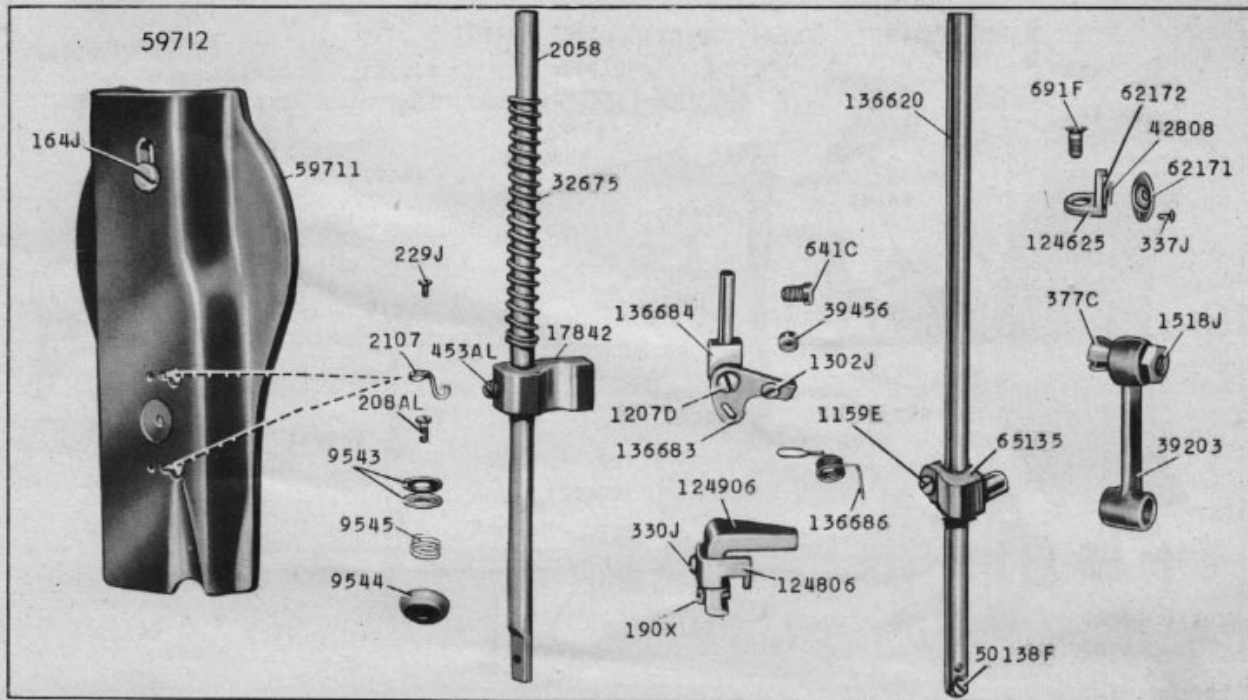
25262 - 1/2

25265 - 1/4

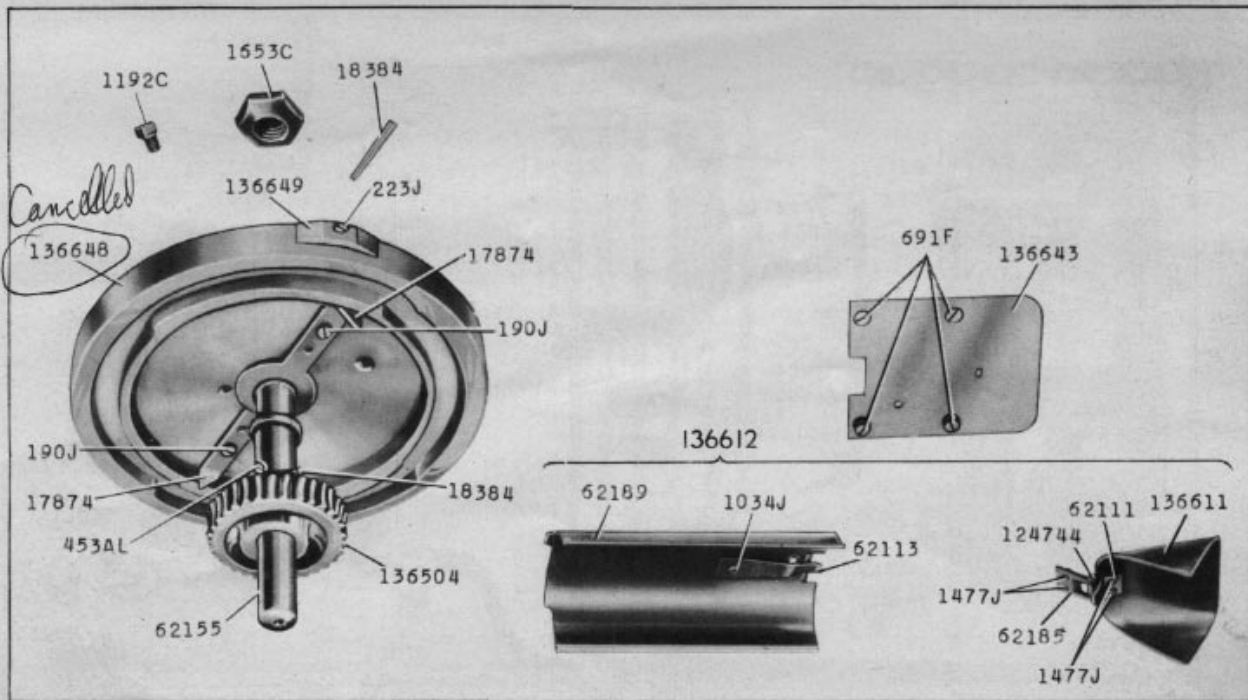




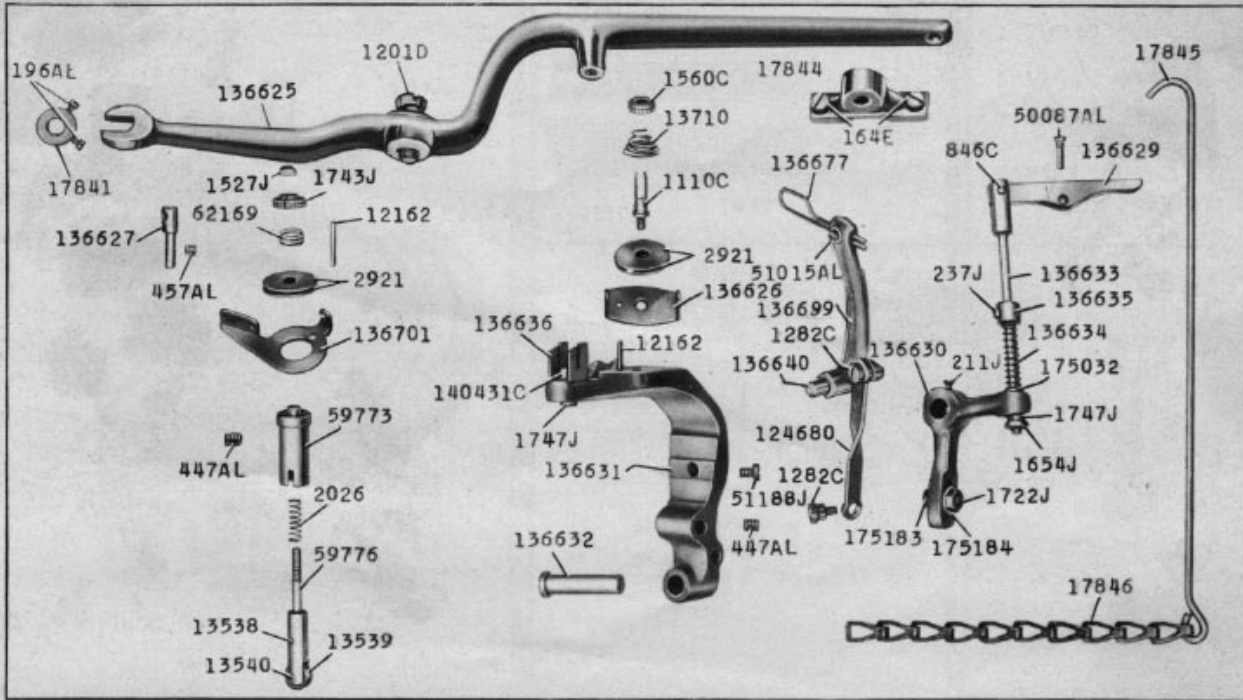
25267-1/4



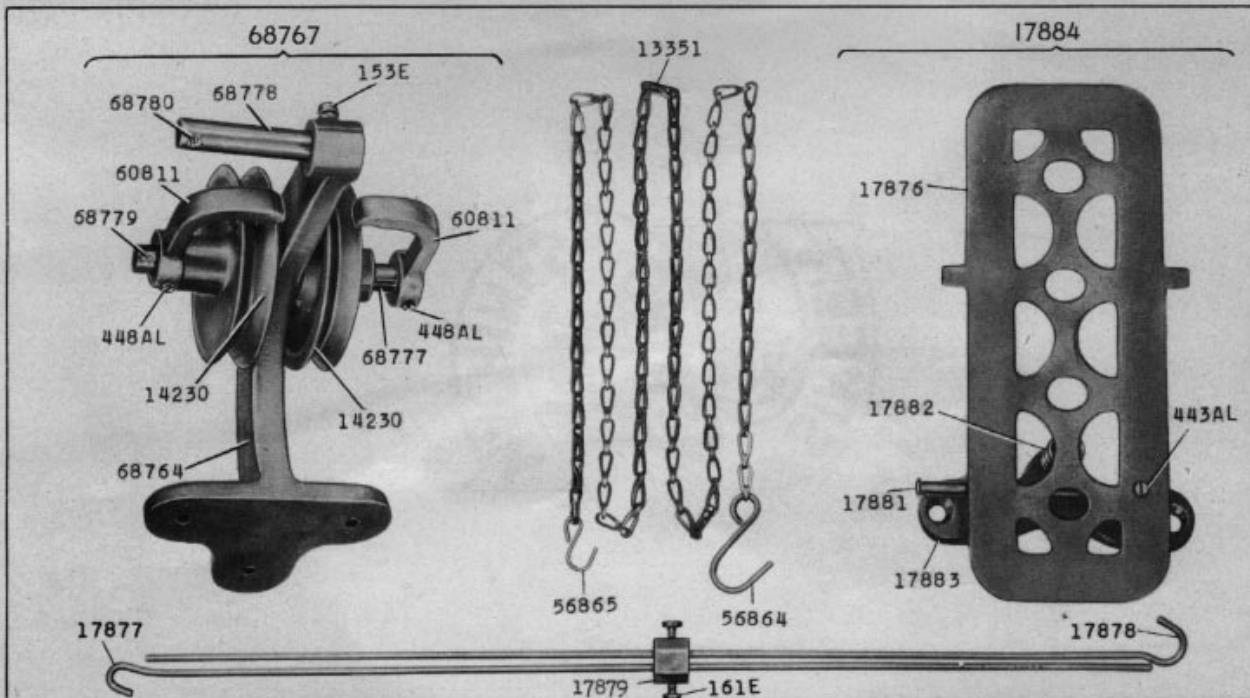
25269-1/2



25271-1/3



25275-1/3



25276-1/3

Free Manuals Download Website

<http://myh66.com>

<http://usermanuals.us>

<http://www.somanuals.com>

<http://www.4manuals.cc>

<http://www.manual-lib.com>

<http://www.404manual.com>

<http://www.luxmanual.com>

<http://aubethermostatmanual.com>

Golf course search by state

<http://golfingnear.com>

Email search by domain

<http://emailbydomain.com>

Auto manuals search

<http://auto.somanuals.com>

TV manuals search

<http://tv.somanuals.com>