

# SHURE®

Shure Brothers Incorporated  
222 Hartrey Avenue  
Evanston IL 60202-3696 U.S.A.

## Model 550L User Guide



### MODEL 550L

#### OMNIDIRECTIONAL DYNAMIC BASE STATION MICROPHONE

The Shure 550L is a dynamic base station microphone with a frequency response specially tailored for voice intelligibility. It is equally useful for radio communications, paging and dispatching systems, and its low-impedance connection makes it adaptable to most PA amplifiers. The low-impedance design also makes it useful for long runs, or under severe hum disturbance conditions.

The microphone is not affected by heat or humidity. Its exclusive ARMO-DUR® case is immune to oil, grease, fumes, salt spray, sun, rust, and corrosion—and is outstanding in its ability to resist mechanical shocks and vibration. The “Million-Cycle” leaf-type switch is designed to withstand rigorous operating conditions and constant use.

#### Features

- *Low-impedance operation for long cable runs or severe hum disturbance*
- *Crisp, natural, high-intelligibility voice response*
- *Fingertip control bar actuates microphone circuit and external relay or control circuit*
- *Long-life switch meets rigorous requirements of communications and paging systems*
- *Sturdy, high-impact ARMO-DUR base and microphone case—impervious to corrosion*

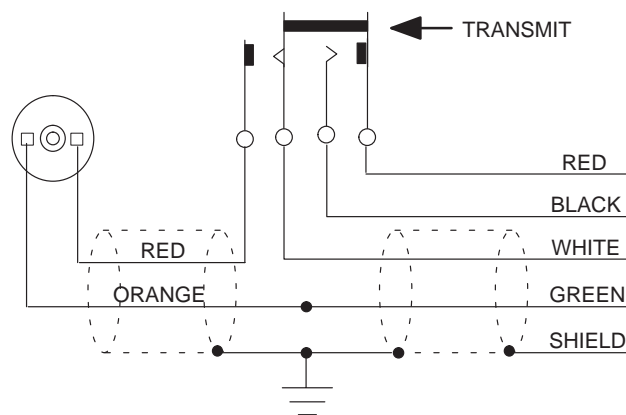
- *Reliability plus—under all operating conditions*
- *Neoprene feet prevent microphone slipping*

#### PRESS-TO-TALK SWITCH OPERATION

The fingertip control bar is a non-locking switch; simply depress the control bar and release after transmission.

#### CONNECTIONS

Figure 1 shows the internal wiring of the 550L microphone. The 550L is designed for balanced-line, low-impedance operation. The WHITE and GREEN cable leads are the two conductors for the microphone circuit; the shield is connected to the amplifier or chassis ground. The RED and BLACK leads control an external relay or switching circuit.



#### INTERNAL CONNECTIONS

FIGURE 1

Low-impedance operation is extremely useful where long cable lengths are required, or under conditions of severe hum disturbance. The permissible cable length is practically unlimited, since neither response nor level is appreciably affected. Shure A95 Series Line Matching Transformers are available for use in those cases where a low-impedance microphone is to be used with an amplifier with a high-impedance input. These transformers provide a proper impedance match between a 19- to 300-ohm microphone and a high-impedance input, and are available with various input and output connectors.

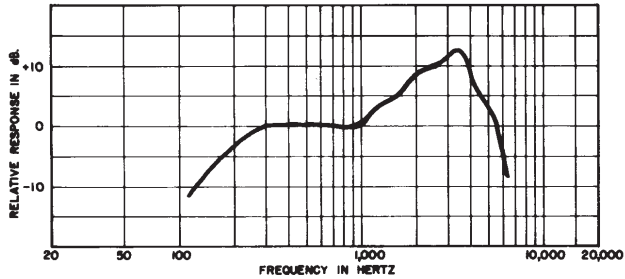
## SPECIFICATIONS

### Type

Dynamic

### Frequency Response

150 to 6,000 Hz (see Figure 2)



TYPICAL FREQUENCY RESPONSE

FIGURE 2

### Polar Pattern

Omnidirectional

### Impedance (at 1,000 Hz)

Microphone rating impedance is 150 ohms (220 ohms actual) for connection to microphone inputs rated at 75 to 300 ohms

### Output Level (at 1,000 Hz)

Open Circuit Voltage\* ..... -74.0 dB (0.2mV)

Power Level\*\* ..... -53.5 dB

\*0 dB = 1 volt per microbar

\*\*0 dB = 1 milliwatt per 10 microbars

### Switch

Press-to-Talk Switch actuates microphone circuit and external relay or control circuit. Microphone circuit normally open.

### Cable

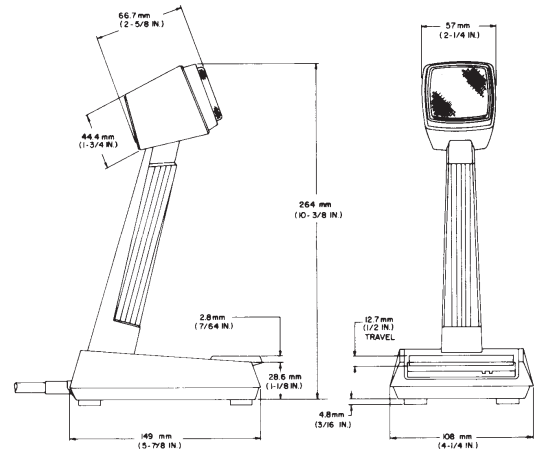
2.1m (7 ft) four-conductor, two conductor shielded, non-detachable

### Case

Brown ARMO-DUR® with dull chrome-plated steel screen

### Dimensions

See Figure 3



OVERALL DIMENSIONS

FIGURE 3

### Net Weight

836 grams (1 lb 13-1/2 oz)

### Shipping Weight

1.12 kilograms (2 lb 7-1/2 oz)

### REPLACEMENT PARTS

Cartridge ..... R50  
Cable ..... C32C  
Switch ..... RK321S

For additional service or parts information, please contact Shure's Service Department at 1-800-516-2525. Outside the United States, please contact your authorized Shure Service Center.

## Free Manuals Download Website

<http://myh66.com>

<http://usermanuals.us>

<http://www.somanuals.com>

<http://www.4manuals.cc>

<http://www.manual-lib.com>

<http://www.404manual.com>

<http://www.luxmanual.com>

<http://aubethermostatmanual.com>

Golf course search by state

<http://golfingnear.com>

Email search by domain

<http://emailbydomain.com>

Auto manuals search

<http://auto.somanuals.com>

TV manuals search

<http://tv.somanuals.com>