

# SHURE

LEGENDARY  
PERFORMANCE™

# AXIENT



**AXT200 Handheld Frequency Diversity Transmitter**

**Émetteur main AXT200**

**Transmisor de mano AXT200**

**Transmissor de Mão AXT200**

©2012 Shure Incorporated  
27B15018 (Rev. 3)



Printed in USA



**WARNING:** This product contains a chemical known to the State of California to cause cancer and birth defects or other reproductive harm.



### **WARNING**

- Battery packs may explode or release toxic materials. Risk of fire or burns. Do not open, crush, modify, disassemble, heat above 140°F (60°C), or incinerate
- Follow instructions from manufacturer
- Never put batteries in mouth. If swallowed, contact your physician or local poison control center
- Do not short circuit; may cause burns or catch fire
- Do not charge or use battery packs with other than specified Shure products
- Dispose of battery packs properly. Check with local vendor for proper disposal of used battery packs



### **AVERTISSEMENT**

- Les accus risquent d'exploser ou d'émettre des matières toxiques. Risque d'incendie ou de brûlures. Ne pas ouvrir, écraser, altérer, démonter, chauffer au-dessus de 60 °C (140 °F) ou incinérer
- Suivre les instructions du fabricant
- Ne jamais mettre les accus dans la bouche. En cas d'ingestion, contacter un médecin ou le centre antipoison local
- Ne pas court-circuiter ; cela risque de causer des brûlures ou un incendie
- Ne pas charger ou utiliser les accus avec des produits autres que les produits Shure spécifiés
- Mettre les accus au rebut de manière appropriée. Vérifier auprès du fournisseur local la manière appropriée de mettre au rebut les accus usagés



### **ADVERTENCIA**

- Los conjuntos de baterías pueden estallar o soltar materiales tóxicos. Riesgo de incendio o quemaduras. No se deben abrir, triturar, modificar, desarmar, calentar a más de 60°C (140°F) ni incinerar.
- Siga las instrucciones del fabricante
- Nunca ponga baterías en la boca. Si se tragan, acuda al médico o a un centro local de control de envenenamiento
- No ponga en cortocircuito; esto puede causar quemaduras o incendios
- Sólo se deben cargar o usar los conjuntos de baterías con los productos Shure especificados
- Deseche los conjuntos de baterías de forma apropiada. Consulte al vendedor local para desechar adecuadamente los conjuntos de baterías usados



### **ATENÇÃO**

- Baterias podem explodir ou liberar materiais tóxicos. Risco de incêndio ou queimaduras. Não abra, esmague, modifique, desmonte, aqueça acima de 140 °F (60 °C) ou incinere
- Siga as instruções do fabricante
- Nunca ponha baterias na boca. Se engolida, procure um médico ou centro local de controle de veneno
- Não provoque curto-circuito; isto pode causar queimaduras ou incêndios
- Não carregue ou use baterias diferentes dos produtos especificados pela Shure
- Descarte as baterias apropriadamente. Verifique com o fornecedor local a forma correta de descarte de baterias usadas



# AXT200 Handheld Transmitter

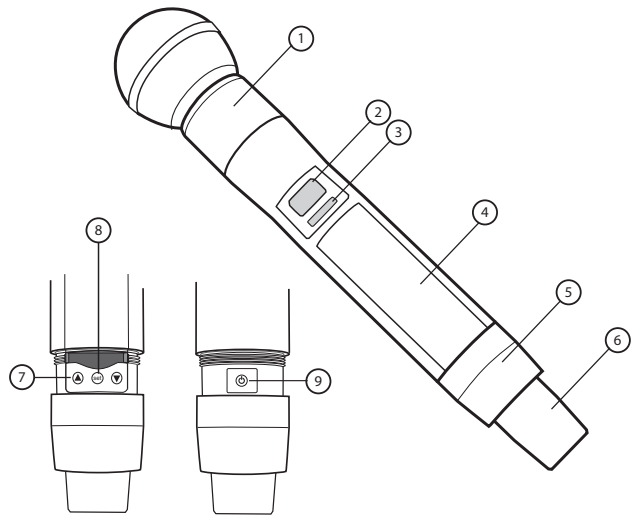
The AXT200 Handheld Frequency Diversity Transmitter is a rechargeable, remotely controllable handheld transmitter with Frequency Diversity for seamless, uninterrupted audio in even the most challenging RF environments. In addition to Frequency Diversity, the AXT200 delivers ultra-linear RF performance for more channels on-air and superb audio quality. Advanced power management supports extended battery life and highly accurate status metering. ShowLink™ Remote Control enables comprehensive real-time remote control of all transmitter parameters, including real-time frequency adjustments.

## Features

- Frequency Diversity enables simultaneous transmission on two independent frequencies to ensure seamless, uninterrupted audio for mission-critical transmitters. Single carrier mode is available if Frequency Diversity is not required.
- Ultra-linear RF performance enables more channels on-air
- IR Sync function automatically tunes transmitter to the receiver frequency
- Comprehensive real-time remote control of all transmitter parameters when a Linked transmitter is within range of a ShowLink Access Point
- Shure lithium-ion rechargeable battery delivers up to 9 hours of runtime from a single charge
- Advanced control menu to adjust frequency and audio settings from the transmitter
- 42 dB of adjustable gain for optimal audio quality
- Lockable user interface prevents accidental or inadvertent changes to controls once settings are made

## Transmitter Overview

- Microphone Cartridge**  
Interchangeable with a variety of Shure cartridges
- LCD Display**  
View menu screens and settings. Momentarily press power button to activate backlight.
- Infrared (IR) Port**  
Use for automated transmitter programming. Links transmitter to AXT400 Receiver.
- Shure Rechargeable Lithium-ion Battery**  
Delivers up to 9 hours of runtime from a single charge
- Locking Ring**  
Secures the battery and protects the control buttons
- Dual-Band Antenna**  
Covers UHF tuning range and 2.4 GHz ShowLink signal
- Arrow Buttons**  
Use to scroll through menu screens and to change parameter values
- Set Button**  
Enables parameter editing. After editing is complete, press to save changes and return to the main menu screen.
- Power Button**  
Hold for 1 second to turn the transmitter on. To power off, press and hold for 2 seconds until the display reads **Powering Off**. When editing parameters, acts as an exit button to cancel changes and return to a previous parameter or to the main menu screen.



## Included Components

Handheld rechargeable lithium-ion battery (2)	AXT920 or AXT920SL
Transmitter carrying case	95A15475
Zipper bag	26A14
Microphone stand adaptor	WA371

## Optional Accessories

Handheld rechargeable lithium-ion battery	AXT920 or AXT920SL
Portable handheld charging station	AXT904
1-AA battery carrier for AXT200 handheld transmitter	AXT921
Microphone stand adaptor	WA371

### Choice of (1) of the following Shure microphone cartridges:

<b>SM58</b> (RPW112)	<b>KSM9 Champagne</b> (RPW180)
<b>BETA 87C</b> (RPW122)	<b>BETA 87A</b> (RPW120)
<b>BETA 58A</b> (RPW 118)	<b>KSM9 Black</b> (RPW184)

### Optional Shure microphone cartridges:

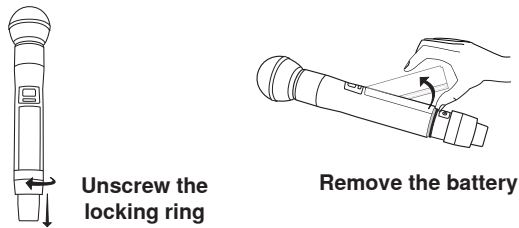
<b>SM58</b> (RPW112)	<b>BETA 87C</b> (RPW122)	<b>VP68</b> (RPW124)
<b>BETA 87A</b> (RPW120)	<b>SM87A</b> (RPW116)	<b>KSM9 Black</b> (RPW184)
<b>SM86</b> (RPW114)	<b>KSM9 Champagne</b> (RPW180)	<b>BETA 58A</b> (RPW118)

## Batteries

The transmitter is powered by a Shure lithium-ion rechargeable battery.

**Caution:** Turn off the transmitter before changing batteries.

**Note:** Refer to your battery charger manual for charging instructions.



## Battery Runtime

Battery runtime varies according to the transmitter's operating mode. High power settings or operating in Frequency Diversity mode will reduce battery runtime.

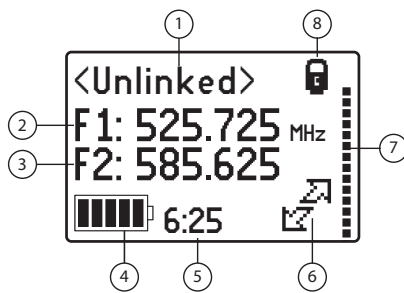
Remaining battery runtime is shown on the display in hours and minutes (accurate to within 15 minutes).

The times shown in the table represent a battery with a minimum of 5 charge cycles, fully charged, at 100% health.

RF Power (mW)	Mode	Runtime ShowLink Enabled (hours/minutes)	Runtime Without ShowLink (hours/minutes)
10	Single Carrier	9:05	10:00
	Frequency Diversity	6:15	6:45
50	Single Carrier	6:45	7:15
	Frequency Diversity	4:20	4:40

## Main Menu Screen

The main menu screen displays the following transmitter parameters:



### ① Link Status

- **Linked** : Displays Linked receiver channel name
- **Unlinked** : Not Linked to a receiver

### ② Frequency 1

Tuned frequency 1 of the transmitter

### ③ Frequency 2

Tuned frequency 2 of the transmitter (Frequency Diversity mode enabled)

### ④ Battery Charge Indicator

5-segment icon visually indicates battery life

### ⑤ Remaining Battery Life

Displays remaining battery life in hours and minutes

### ⑥ Showlink Icon

Indicates remote control of transmitter via ShowLink is possible

### ⑦ Audio Meter

Indicates the audio signal level

### ⑧ Control Lock Icon

Displayed when buttons are locked

## Locking the Buttons

Lock the buttons of the transmitter to prevent accidental or unauthorized parameter changes.

Press and hold the ▼ and ▲ buttons for 2 seconds to lock. Repeat to unlock.

## Power-on RF Mute

Power-on RF mute prevents transmission of audio when powering on the transmitter.

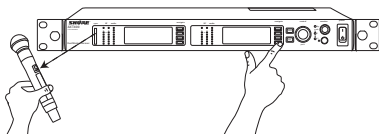
With the transmitter turned off, press and hold both the ▼ button and the **SET** button, and then press and hold the **Power** button.

After power-on, an **RF Muted** message indicates that the transmitter is in RF Mute mode.

**Note:** RF Mute mode persists through power cycles of the transmitter.

## Linking a Transmitter using IR Sync

The IR Sync function forms a Link and sets the frequency between the transmitter and an AXT400 Receiver.



1. Access the IR Sync function in the AXT400 receiver menu: **Tx**
2. Align the IR Sync ports of the transmitter and the receiver. The red IR Sync LED on the receiver IR port will illuminate to indicate correct alignment. Press **Sync**.
3. The receiver display indicates if the IR Sync is successful. Check the transmitter alignment and select **Retry** if a failure occurs.
4. The transmitter device ID will be shown in the receiver Tx menu and the receiver channel name and frequency will be shown on the transmitter display, indicating a successful IR sync.

## AXT200 Frequency Diversity Mode

Operating an AXT200 in Frequency Diversity mode with an AXT400 Receiver enables simultaneous transmission of audio on 2 independent frequencies.

1. From the AXT400 menu: **Radio > Options > Diversity**
2. Use the control wheel to set the mode to **FD-Handheld**.
3. Perform an IR Sync to Link the transmitter to the receiver.

---

## Parameter Menus

Use the arrow buttons to access the following parameter menus.

### Group and Channel

A group is a set of compatible frequencies. A single frequency within a group is a channel.

- G:**  
Change the group
- Ch:**  
Change the channel

### F1: and F2: Frequency

Use the set and arrow keys to change the frequency in 25 KHz increments.

### Disable F2

When in frequency diversity mode, the second frequency can be disabled from the **F2:** frequency menu or the **F2:** group and channel menu.

- F2: ON**  
Enable F2
- F2: OFF**  
Disable F2

### Gain

Sets the input sensitivity level (gain). Gain range is -10 to +32 dB in 1 dB steps.

### RF Mute

Disables the RF carrier signal, which mutes transmission of audio.

- TX On:**  
RF signal enabled
- TX Off:**  
RF signal disabled

### Firmware

Displays the installed firmware version.

### Device ID

Identifies the transmitter on a linked receiver or in WWB software.

- ID length can be up to 8 characters
- Use arrow buttons to scroll through characters
- Use **set** button to save and move to the next character

### AA Type

This setting ensures accurate battery metering when using the optional AA battery carrier. Set the battery type to **Alkaline**, **NiMH**, or **Lithium**.

**Note:** Menu not displayed unless an AA battery carrier is installed.

### ShowLink Test

Activates the ShowLink test 5-bar display. Measures the remote control range of a ShowLink Access Point.

- 5 bars indicate the center of the coverage area
- 1 bar indicates the outer boundary of the coverage area
- If bars are not displayed, ShowLink control is not available

### Unlink

Ends the Link relationship between transmitter and receiver.

- YES:**  
Ends the Link between transmitter and receiver.
- NO:**  
Preserves the Link between transmitter and receiver.

**Note:** When a transmitter is unlinked, the channel name reverts to **Unlinked**.

### RFPWR

Sets RF power level. Access this menu by pressing and holding the **set** button and then pressing the **▼** button.

Use lower power settings to conserve battery life and to prevent RF overload at the receiver.

**Note:** A password is required in some regions.

### PCB Serial Number

Displays the serial number of the printed circuit board (PCB) installed in the unit.

1. Enter the **RFPWR** menu by pressing and holding the **set** button, and then pressing the **▼** button.
2. Press the **▲** button to access the serial number.
3. Momentarily press the power button to return to the home menu screen.

---

## Troubleshooting

### No ShowLink Alert

This alert appears when frequency is edited on a linked transmitter that is beyond the range of an active ShowLink access point. Choose **OK** to unlink the transmitter and complete the frequency change, or **Cancel** to return to the home screen.

### Input Overload

The **Input Overload** message indicates an excessive signal level at the transmitter input. To prevent overload, reduce the gain setting.

### Deeply Discharged Batteries

Deep discharge occurs when a battery is discharged to less than 3.0 volts. The battery chargers have a recovery mode designed to restore charge to a deeply discharged battery.

When the charger detects a deeply discharged battery, it automatically enters recovery mode which supplies reduced current to the battery for up to 30 minutes.

If recovery is successful, the charger will exit recovery mode and charge the battery to capacity. If the battery cannot be recharged, charging stops and the battery must be replaced.

---

## Firmware Updates

Firmware is embedded software used to control features and the user interface. Periodically, new versions of firmware are available for download from [www.shure.com/wwb](http://www.shure.com/wwb) to incorporate additional features and enhancements. New versions of the firmware can be downloaded to AXT400 Receiver using the Firmware Update Manager tool available in WWB6 software and installed on the transmitter using the infrared ports on the transmitter and receiver.

To access the AXT400 receiver firmware update menu: **Tx > IR Presets > FW Update**

# Specifications- AXT200 Handheld Transmitter

<b>RF Carrier Frequency Range</b>	470–814 MHz Note: varies by region
<b>Working Range</b>	<b>Under typical conditions:</b> 150 m (500 ft) <b>Line of Sight, outdoors for a single system:</b> 500 m (1600 ft) Note: Actual range depends on RF signal absorption, reflection and interference.
<b>Audio Frequency Response</b>	40 – 18 kHz (+1, -3 dB) Note: Dependent on microphone type
<b>RF Tuning Step Size</b>	25 kHz
<b>Modulation</b> 45 kHz max. deviation	FM, Audio Reference Companding with pre- and de-emphasis
<b>Dynamic Range</b>	>113 dB, A-weighted (referenced at 0 dB setting on transmitter)
<b>Total Harmonic Distortion</b> 45 kHz max. deviation	<0.3%, A-weighted, typical
<b>System Audio Polarity</b>	Positive pressure on microphone diaphragm (or positive voltage applied to tip of WA302 phone plug) produces positive voltage on pin 2 (with respect to pin 3 of low-impedance output) and the tip of the high impedance 1/4-inch output.

## AXT200

<b>Gain Adjustment Range</b>	-10 to +32 dB (in 1 dB steps)
<b>Battery Type</b>	Shure AXT920/920SL (Rechargeable Li-Ion)
<b>Battery Life</b>	Up to 9 hours (low power mode, Single Carrier Mode)
<b>Dimensions</b>	261 mm x 37 mm (10.3 in. x 2.6 in.) L x Dia.
<b>Weight</b>	395 g (13.9 oz.), with batteries
<b>Housing</b>	Machined aluminum
<b>Operating Temperature Range</b>	-18°C (0°F) to 63°C (145°F) Note: Battery characteristics may limit this range.
<b>Storage Temperature Range</b>	-29°C (-20°F) to 74°C (165°F) Note: Battery characteristics may limit this range.

## Audio Input

<b>Configuration</b>	Unbalanced
<b>Impedance</b>	>30 kΩ
<b>Maximum Input Level</b> 1 kHz at 1% THD	<b>gain position:</b> <b>-10 to +11 dB:</b> 5.5 dBu <b>+12 to +32 dB:</b> -6.5 dBu

## RF Output

<b>Connector</b>	SMA (UHF and ShowLink); Shell=Ground, Center=Signal
<b>Antenna Type</b>	Integrated Dual Band Helical
<b>Power</b>	See Frequency Range and Output Power table
<b>Mode</b>	<b>Frequency Diversity:</b> Dual Carrier <b>Single Carrier:</b> Single Carrier
<b>Impedance</b>	50 Ω

## ShowLink ShowLink

<b>Network Type</b>	IEEE 802.15.4
<b>Frequency Range</b>	2.40 to 2.4835 GHz (16 Channels)
<b>RF Output Power</b>	10 dBm (ERP)

## Tables and Diagrams

### Frequency Range and Transmitter Output Power

Band	Frequency Range ( MHz)	Power ( mW)
G1	470 to 530	10/50
G1E	470 to 530	10/50
H4	518 to 578	10/50
H4E	518 to 578	10/50
J5	578 to 638	10/50
J5E	578 to 638	10/50
K4E	606 to 666	10/50
L3	638 to 698	10/50
L3E	638 to 698	10/50
L3HK	638 to 698	10
M8	666 to 730	10/50
P8	710 to 790	10/50
P9	710 to 787	10/50
Q5	740 to 814	10/50
MA24	779 to 806	10
MJBX	806 to 810	10



## System Gain

In an audio system containing both AXT400 and UR4 receivers, the overall system audio gain at the XLR (line) output varies depending on the receiver model and the type of transmitter.

The table below offers a comparison of the output gain at the XLR output for AXT400 and UR4 receivers for each transmitter model. Use the information in the table to achieve consistent gain levels when using systems comprised of both Axient series and UR series components.

### System gain from transmitter input to receiver XLR output (line) when transmitter gain = 0 dB

Transmitter		AXT100 Bodypack	AXT200 Handheld	UR1 Bodypack	UR1M Bodypack	UR2 Handheld
		gain = 0 dB	gain = 0 dB	gain = 0 dB	gain = 0 dB	gain = 0 dB
Receiver		AXT400	AXT200	UR1	UR1M	UR2
gain setting = 0 dB	AXT400	+10 dB gain	+15 dB gain	+15 dB gain	+15 dB gain	+15 dB gain
	UR4	N/A	N/A	+18 dB gain	+18 dB gain	+18 dB gain

## Certifications

Meets essential requirements of the following European Directives:

- R&TTE Directive 99/5/EC
- WEEE Directive 2002/96/EC, as amended by 2008/34/EC
- RoHS Directive 2002/95/EC, as amended by 2008/35/EC

**Note:** Please follow your regional recycling scheme for batteries and electronic waste

Meets requirements of the following standards: EN 300 328, EN 300 422 Parts 1 and 2, EN 301 489 Parts 1 and 9, EN60065.

Certified under FCC Part 15 and FCC Part 74.

Certified in Canada by IC to RSS-123 and RSS-210.

This Class B digital apparatus complies with Canadian ICES-003. Cet appareil numérique de la classe B est conforme à la norme NMB-003 du Canada.

This radio transmitter has been approved by Industry Canada to operate with the antenna types listed below with the maximum permissible gain and required antenna impedance for each antenna type indicated. Antenna types not included in this list, having a gain greater than the maximum gain indicated for that type, are strictly prohibited for use with this device.

**FCC ID:** DD4AXT200A, DD4AXT200B, DD4AXT200C, DD4AXT200D. **IC:** 616A-AXT200A, 616A-AXT200C, 616A-AXT200D.

This device complies with Industry Canada licence-exempt RSS standard(s). Operation of this device is subject to the following two conditions: (1) this device may not cause interference, and (2) this device must accept any interference, including interference that may cause undesired operation of the device.

Le présent appareil est conforme aux CNR d'Industrie Canada applicables aux appareils radio exempts de licence. L'exploitation est autorisée aux deux conditions suivantes : (1) l'appareil ne doit pas produire de brouillage, et (2) l'utilisateur de l'appareil doit accepter tout brouillage radioélectrique subi, même si le brouillage est susceptible d'en compromettre le fonctionnement.

The CE Declaration of Conformity can be obtained from Shure Incorporated or any of its European representatives. For contact information please visit [www.shure.com](http://www.shure.com)

The CE Declaration of Conformity can be obtained from: [www.shure.com/europe/compliance](http://www.shure.com/europe/compliance)

Authorized European representative:

Shure Europe GmbH

Headquarters Europe, Middle East & Africa

Department: EMEA Approval

Jakob-Dieffenbacher-Str. 12

75031 Eppingen, Germany

Phone: 49-7262-92 49 0

Fax: 49-7262-92 49 11 4

Email: [EMEAsupport@shure.de](mailto:EMEAsupport@shure.de)

### LICENSING INFORMATION

Licensing: A ministerial license to operate this equipment may be required in certain areas. Consult your national authority for possible requirements. Changes or modifications not expressly approved by Shure Incorporated could void your authority to operate the equipment. Licensing of Shure wireless microphone equipment is the user's responsibility, and licensability depends on the user's classification and application, and on the selected frequency. Shure strongly urges the user to contact the appropriate telecommunications authority concerning proper licensing, and before choosing and ordering frequencies.

### Information to the user

This equipment has been tested and found to comply with the limits for a Class B digital device, pursuant to Part 15 of the FCC Rules. These limits are designed to provide reasonable protection against harmful interference in a residential installation. This equipment generates uses and can radiate radio frequency energy and, if not installed and used in accordance with the instructions, may cause harmful interference to radio communications. However, there is no guarantee that interference will not occur in a particular installation. If this equipment does cause harmful interference to radio or television reception, which can be determined by turning the equipment off and on, the user is encouraged to try to correct the interference by one or more of the following measures:

- Reorient or relocate the receiving antenna.
- Increase the separation between the equipment and the receiver.
- Connect the equipment to an outlet on a circuit different from that to which the receiver is connected.
- Consult the dealer or an experienced radio/TV technician for help.



## Émetteur main AXT200

L'émetteur main à Diversity de fréquence AXT200 est un émetteur main rechargeable, contrôlable à distance, et intégrant la fonction Diversity de fréquence pour un son parfait et sans interruption, même dans les environnements HF les plus difficiles. Outre le Diversity de fréquence, l'AXT200 offre des performances HF ultralinières pour plus de canaux émis et une excellente qualité audio. La gestion avancée de l'alimentation fournit une plus grande autonomie de l'accu et une mesure très précise de son état. Le contrôle distant ShowLink™ permet le pilotage distant complet en temps réel de tous les paramètres de l'émetteur, y compris les réglages de fréquence en temps réel.

### Caractéristiques

- Le Diversity de fréquence permet une transmission simultanée sur deux fréquences indépendantes du signal audio afin de garantir un son sans interruption pour tous les émetteurs vitaux. Le mode à porteuse simple est disponible si le Diversity de fréquence n'est pas nécessaire.
- Performances RF ultralinières pour un plus grand nombre de canaux émis
- La fonction de Synchro IR règle automatiquement l'émetteur à la fréquence du récepteur.
- Contrôle distant complet et en temps réel de tous les paramètres de l'émetteur quand un émetteur lié est dans la zone de couverture d'un point d'accès ShowLink
- L'accu rechargeable lithium-ion de Shure fournit jusqu'à 9 heures de fonctionnement avec une seule charge.
- Menu de commande avancé permettant de régler les paramètres de fréquence et d'audio de l'émetteur
- Plage de gain réglable sur 42 dB pour une qualité audio optimale
- L'interface utilisateur verrouillable empêche les modifications accidentelles ou par inadvertance des commandes une fois les réglages effectués.

## Généralités sur l'émetteur

### ① Capsule de microphone

Interchangeable avec un grand choix de capsules Shure

### ② Affichage LCD

Afficher les écrans de menu et les réglages. Appuyer momentanément sur le bouton d'alimentation pour activer le rétroéclairage.

### ③ Port infrarouge (IR)

Utiliser pour la programmation automatisée de l'émetteur. Relie l'émetteur au récepteur AXT400.

### ④ Accu ion-lithium rechargeable Shure

Fournit jusqu'à 9 heures de fonctionnement avec une seule charge

### ⑤ Bague de verrouillage

Maintient l'accu et protège les boutons de commande

### ⑥ Antenne bi-bande

Couvre la plage de réception UHF et le signal ShowLink à 2,4 GHz

### ⑦ Boutons fléchés

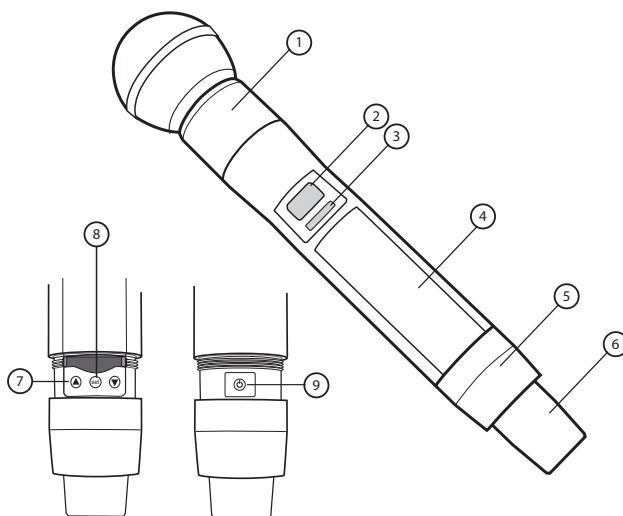
Servent à faire défiler les écrans de menu et à modifier les valeurs des paramètres

### ⑧ Bouton Set (réglage)

Permet de modifier les paramètres. Une fois les modifications terminées, appuyer sur ce bouton pour les enregistrer et retourner à l'écran du menu principal.

### ⑨ Bouton d'alimentation

Appuyer pendant 1 seconde pour allumer l'émetteur. Pour l'éteindre, appuyer pendant 2 secondes, jusqu'à ce que l'affichage indique **Powering Off** (mise hors tension). Lors de la modification des paramètres, sert de bouton Quitter pour annuler les modifications et retourner à un paramètre précédent ou à l'écran du menu principal.



## Composants fournis

Accu ion-lithium rechargeable pour émetteur main (2)	AXT920 ou AXT920SL
Mallette de transport pour émetteur	95A15475
Sac à glissière	26A14
Pince de microphone	WA371

### Choix d'une (1) capsule de microphone Shure parmi les modèles suivants :

SM58 (RPW112)	KSM9 champagne (RPW180)
BETA 87C (RPW122)	BETA 87A (RPW120)
BETA 58A (RPW 118)	KSM9 noir (RPW184)

## Accessoires en option

Accu ion-lithium rechargeable pour émetteur main	AXT920 ou AXT920SL
Ensemble chargeur portatif pour émetteur main	AXT904
Boîtier 1 pile AA pour émetteur main AXT200	AXT921
Adaptateur de pied de microphone	WA371

### Capsules de microphone Shure en option :

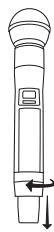
SM58 (RPW112)	BETA 87C (RPW122)	VP68 (RPW124)
BETA 87A (RPW120)	SM87A (RPW116)	KSM9 noir (RPW184)
SM86 (RPW114)	KSM9 champagne (RPW180)	BETA 58A (RPW118)

## Accus

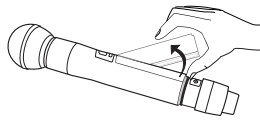
L'émetteur est alimenté par un accus ion-lithium rechargeable Shure.

**Attention :** Éteindre l'émetteur avant de remplacer les accus.

**Remarque :** Consulter le mode d'emploi du chargeur d'accus pour les instructions de charge.



Dévisser la bague de verrouillage



Retirer la pile

## Durée de fonctionnement des piles

La durée de fonctionnement de l'accu dépend du mode de fonctionnement de l'émetteur. Les réglages à forte puissance ou le fonctionnement en mode Diversity de fréquence réduisent la durée de fonctionnement de l'accu.

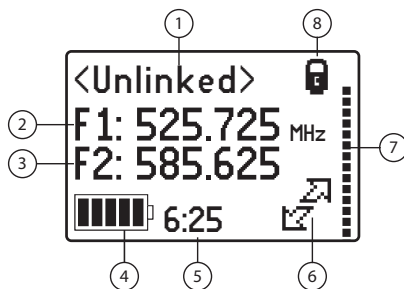
La durée de fonctionnement restante est affichée en heures et minutes (précise à 15 minutes près).

Les durées indiquées dans le tableau correspondent à un accus ayant un minimum de 5 cycles de charge, complètement chargé, avec une santé de 100 %.

Puissance HF (mW)	Mode	Durée de fonctionnement avec ShowLink activé (heures/minutes)	Durée de fonctionnement sans ShowLink (heures/minutes)
10	Porteuse simple	9:05	10:00
	Diversity de fréquence	6:15	6:45
50	Porteuse simple	6:45	7:15
	Diversity de fréquence	4:20	4:40

## Écran du menu principal

L'écran du menu principal affiche les paramètres d'émetteur suivants :



### ① État de liaison

- **Linked :** Affiche le nom du canal du récepteur lié
- **Unlinked :** Non lié à un récepteur

### ② Fréquence 1

Fréquence réglée 1 de l'émetteur

### ③ Fréquence 2

Fréquence réglée 2 de l'émetteur (mode Diversity de fréquence activé)

### ④ Témoin de charge de l'accu

Une icône à 5 segments indique visuellement l'autonomie de l'accu.

### ⑤ Autonomie restante de l'accu

Affiche l'autonomie restante de l'accu en heures et minutes

### ⑥ Icône Showlink

Indique que le contrôle distant de l'émetteur via Showlink est possible

### ⑦ Vu-mètre audio

Indique le niveau du signal audio

### ⑧ Icône de verrouillage des commandes

Affichée quand les boutons sont verrouillés

## Verrouillage des boutons

Verrouiller les boutons de l'émetteur pour empêcher toute modification accidentelle ou non autorisée des paramètres.

Appuyer sur les boutons ▼ et ▲ pendant environ 2 secondes pour les verrouiller. Faire de même pour les déverrouiller.

## Coupure RF à la mise sous tension

La coupure RF à la mise sous tension empêche la transmission du son lors de la mise sous tension de l'émetteur.

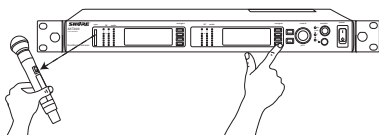
L'émetteur étant hors tension, appuyer simultanément sans relâcher sur le bouton ▼ et le bouton **SET**, puis appuyer sans relâcher sur le bouton **Power**.

Une fois qu'il est sous tension, un message **RF Muted** indique que l'émetteur est en mode Coupure RF.

**Remarque :** Le mode Coupure RF persiste durant les cycles de mise sous et hors tension de l'émetteur.

## Liaison d'un émetteur à l'aide de la Synchro IR

La fonction de Synchro IR crée une liaison et établit la fréquence entre l'émetteur et un récepteur AXT400.



1. Accéder à la fonction Synchro IR dans le menu du récepteur AXT400 : **Tx**

2. Aligner les ports Synchro IR de l'émetteur et du récepteur. La LED Synchro IR rouge du port IR du récepteur s'allume, indiquant un alignement correct. Appuyer sur **Sync**.

3. L'affichage du récepteur indique si la synchro IR a réussi. Vérifier l'alignement de l'émetteur et sélectionner **Retry** (réessayer) en cas d'échec.

4. L'ID d'appareil de l'émetteur sera indiqué dans le menu Tx du récepteur ; le nom et la fréquence du canal du récepteur seront affichés sur l'écran de l'émetteur, indiquant une synchronisation IR réussie.

## Mode Diversity de fréquence du AXT200

L'utilisation d'un AXT200 en mode Diversity de fréquence avec un récepteur AXT400 permet la transmission simultanée du son sur deux fréquences indépendantes.

1. Dans le menu de l'AXT400 : **Radio > Options > Diversity**

2. Utiliser la molette de commande pour régler le mode sur **FD-Handheld**.

3. Effectuer une Synchro IR pour lier l'émetteur et le récepteur.

---

## Menus de paramètres

Se servir des boutons fléchés pour accéder aux menus de paramètres suivants.

### Groupe et canal

Un groupe est un ensemble de fréquences compatibles. Un canal est une fréquence donnée au sein d'un groupe.

- G:**  
Changer de groupe
- Ch:**  
Changer de canal

### F1: et F2: Fréquence

Utiliser le bouton SET et les touches fléchées pour changer la fréquence par pas de 25 KHz.

### Désactiver F2

En mode Diversity de fréquence, la seconde fréquence peut être désactivée à partir du menu de fréquence **F2:** ou du menu de groupe et de canal **F2:**.

- F2: ON**  
Activer F2
- F2: OFF**  
Désactiver F2

### Gain

Définit le niveau de sensibilité d'entrée (gain). La plage de gain va de -10 à +32 dB par pas de 1 dB.

### Coupure HF

Désactive la porteuse HF, ce qui coupe la transmission audio.

- TX On:**  
Signal HF activé
- TX Off:**  
Signal HF désactivé

### Firmware

Affiche la version du firmware installé.

### Device ID

Identifie l'émetteur sur un récepteur lié ou dans le logiciel WWB.

- L'ID peut comporter jusqu'à 8 caractères.
- Utiliser les boutons fléchés pour faire défiler les caractères.
- Utiliser le bouton **set** pour enregistrer et passer au caractère suivant.

### AA Type

Ce paramètre permet une mesure précise des piles lorsque le boîtier de piles AA optionnel est utilisé. Réglez le type de pile sur **Alkaline**, **NiMH** ou **Lithium**.

**Remarque :** Ce menu ne s'affiche que si un boîtier de piles AA est installé.

### ShowLink Test

Active l'affichage de test à 5 barres du ShowLink. Mesure la zone de couverture du contrôle distant d'un point d'accès ShowLink.

- 5 barres indiquent le centre de la zone de couverture
- 1 barre indique les limites de la zone de couverture
- Si aucune barre n'est affichée, le contrôle ShowLink n'est pas disponible.

### Unlink

Met fin à la relation de Liaison entre l'émetteur et le récepteur.

#### YES:

Met fin à la Liaison entre l'émetteur et le récepteur.

#### NO:

Préserve la Liaison entre l'émetteur et le récepteur.

**Remarque:** Quand un émetteur n'est pas lié à un récepteur, le nom de canal repasse à **Unlinked**.

### RFPWR

Règle le niveau de puissance RF. Accéder à ce menu en appuyant sans relâcher sur le bouton **set** puis en appuyant sur le bouton **▼**.

Utiliser les réglages de faible puissance pour économiser les piles et empêcher toute surcharge RF du récepteur.

**Remarque :** Un mot de passe est requis dans certaines régions.

### PCB Serial Number

Affiche le numéro de série du circuit imprimé de l'appareil.

1. Entrer dans le menu **RFPWR** en appuyant sans relâcher sur le bouton **set** puis en appuyant sur le bouton **▼**.
2. Appuyer sur le bouton **▲** pour accéder au numéro de série.
3. Appuyer momentanément sur le bouton d'alimentation pour retourner au menu d'accueil.

---

## Dépannage

### No ShowLink Alert

Cette alerte s'affiche lorsqu'on modifie la fréquence sur un émetteur lié qui se trouve au-delà de la zone de couverture d'un point d'accès ShowLink actif. Choisir **OK** pour supprimer la liaison de l'émetteur et effectuer le changement de fréquence, ou sur **Cancel** (annuler) pour retourner à l'écran d'accueil.

### Surcharge d'entrée

Le message **InputOverload** (surcharge d'entrée) indique un niveau de signal audio excessif à l'entrée de l'émetteur. Pour éviter une surcharge, réduire la valeur du gain.

### Accus fortement déchargés

On parle de forte décharge quand un accu présente une tension inférieure à 3,0 volts. Les chargeurs d'accu sont équipés d'un mode remise en service permettant de recharger un accu fortement déchargé.

Lorsque le chargeur détecte un accu fortement déchargé, il se met automatiquement en mode remise en service, et fournit à l'accu une intensité réduite pour une durée maximum de 30 minutes.

Si la remise en service est effectuée avec succès, le chargeur quitte le mode remise en service et charge l'accu à sa pleine capacité. S'il est impossible de recharger l'accu, la charge s'arrête et l'on doit remplacer l'accu.

---

## Mises à jour du firmware

Les firmwares sont des logiciels intégrés servant à contrôler les fonctions et l'interface utilisateur. De nouvelles versions de firmware sont régulièrement disponibles en téléchargement sur le site [www.shure.com/wwb](http://www.shure.com/wwb) pour incorporer des fonctions supplémentaires et des améliorations. Les nouvelles versions du firmware peuvent être téléchargées sur un récepteur AXT400 à l'aide de l'outil de mise à jour de firmware intégré au logiciel WWB6 et installées sur l'émetteur par le biais des ports infrarouge de l'émetteur et du récepteur.

Pour accéder au menu de mise à jour du firmware du récepteur AXT400 : **Tx > IR Presets > FW Update**

# Caractéristiques- Émetteur à main AXT200

<b>Gamme de fréquences porteuses HF</b>	470–814 MHz Remarque : varie suivant la région
<b>Plage de fonctionnement</b>	<b>Dans des conditions typiques :</b> 150 m (500 pi) <b>Ligne de visée, à l'extérieur pour un système unique :</b> 500 m (1600 pi)  Remarque : La portée réelle dépend de l'absorption et de la réflexion des signaux HF, ainsi que des parasites.
<b>Réponse en fréquence audio</b>	40 – 18 kHz (+1, -3 dB) Remarque : dépend du type de microphone
<b>Largeur de palier d'accord HF</b>	25 kHz
<b>Modulation</b> 45 kHz max. de déviation	FM, Compression-extension de référence audio avec préaccentuation et désaccentuation
<b>Plage dynamique</b>	>113 dB, pondéré en A (bezogen auf 0-dB-Einstellung am Sender)
<b>Distorsion harmonique totale</b> 45 kHz max. de déviation	<0,3%, pondéré en A, typique
<b>Polarité audio système</b>	Une pression positive sur le diaphragme du microphone (ou une tension positive appliquée à la pointe du jack téléphone WA302) produit une tension positive à la broche 2 (par rapport à la broche 3 de la sortie basse impédance) et à la pointe de la sortie haute impédance de 1/4 po.

## AXT200

<b>Plage de réglage de gain</b>	-10 à +32 dB (par paliers de 1 dB)
<b>Type d'accu</b>	Shure AXT920/920SL (Li-ion rechargeable)
<b>Autonomie des piles</b>	Jusqu'à 9 heures (Mode basse puissance, Mode de porteuse simple)
<b>Dimensions</b>	261 mms x 37 mms (10,3 po x 2,6 po) L x diam.
<b>Poids</b>	395 g (13,9 oz), avec piles
<b>Boîtier</b>	Aluminium usiné
<b>Plage de températures de fonctionnement</b>	-18°C (0°F) à 63°C (145°F) Remarque : Les caractéristiques des piles peuvent limiter cette plage.
<b>Plage de températures de stockage</b>	-29°C (-20°F) à 74°C (165°F) Remarque : Les caractéristiques des piles peuvent limiter cette plage.

## Entrée audio

<b>Configuration</b>	Asymétrique
<b>Impédance</b>	>30 kΩ
<b>Niveau d'entrée maximum</b> 1 kHz avec DHT de 1 %	<b>position de gain :</b> -10 à +11 dB : 5,5 dBu +12 à +32 dB : -6,5 dBu

## Sortie HF

<b>Connecteur</b>	SMA (UHF et ShowLink); Capot=masse, centre=signal
<b>Type d'antenne</b>	Intégrée hélicoïdale bi-bande
<b>Alimentation</b>	Voir tableau de gamme de fréquences et de puissance de sortie
<b>Mode</b>	<b>Diversité de fréquence :</b> Porteuse double <b>Porteuse simple :</b> Porteuse simple
<b>Impédance</b>	50 Ω

## ShowLink ShowLink

<b>Type de réseau</b>	IEEE 802.15.4
<b>Plage de fréquences</b>	2,40 à 2,4835 GHz (16 canaux)
<b>Puissance de sortie HF</b>	10 dBm (PAR)

## Tableaux et schémas

### Gamme de fréquences et puissance de sortie de l'émetteur

Bandes	Plage de fréquences ( MHz)	Alimentation ( mW)
G1	470 à 530	10/50
G1E	470 à 530	10/50
H4	518 à 578	10/50
H4E	518 à 578	10/50
J5	578 à 638	10/50
J5E	578 à 638	10/50
K4E	606 à 666	10/50
L3	638 à 698	10/50
L3E	638 à 698	10/50
L3HK	638 à 698	10
M8	666 à 730	10/50
P8	710 à 790	10/50
P9	710 à 787	10/50
Q5	740 à 814	10/50
MA24	779 à 806	10
MJBX	806 à 810	10

## Gain du système

Dans un système audio contenant à la fois des récepteurs AXT400 et UR4, le gain audio général du système à la sortie (ligne) XLR varie en fonction du modèle de récepteur et du type d'émetteur.

Le tableau ci-dessous permet de comparer le gain de sortie à la sortie XLR pour les récepteurs AXT400 et UR4 pour chaque modèle d'émetteur. Utiliser les informations de ce tableau pour obtenir des niveaux de gain constants quand on utilise des systèmes comprenant à la fois des composants des séries Axient et UR.

### Gain du système de l'entrée de l'émetteur à la sortie XLR (ligne) du récepteur quand le gain de l'émetteur = 0 dB

Émetteur		AXT100 émetteur ceinture	AXT200 émetteur main	UR1 émetteur ceinture	UR1M émetteur ceinture	UR2 émetteur main
		gain = 0 dB	gain = 0 dB	gain = 0 dB	gain = 0 dB	gain = 0 dB
				sens. = 0 dB	sens. = 0 dB	
Récepteur	AXT400	gain +10 dB	gain +15 dB	gain +15 dB	gain +15 dB	gain +15 dB
réglage de gain = 0 dB	UR4	N/A	N/A	gain = +18 dB	gain = +18 dB	gain = +18 dB

## Homologations

Conforme aux exigences essentielles des directives européennes suivantes :

- Directive R&TTE 99/5/CE
- Directive DEEE 2002/96/CE tel que modifiée par 2008/34/CE

Suivre le plan de recyclage régional en vigueur pour les déchets électroniques

- Directive RoHS 2002/95/CE tel que modifiée par 2008/35/CE

Conforme aux exigences des normes suivantes : EN 300 328, EN 300 422 parties 1 et 2., EN 301 489 parties 1 et 9., EN60065.

Homologué selon la partie 15 et la partie 74 des réglementations FCC.

Homologué par IC au Canada selon les normes RSS-123 et RSS-210.

Cet appareil numérique de classe B est conforme à la norme ICES-003 (Canada). Cet appareil numérique de la classe B est conforme à la norme NMB-003 du Canada.

Cet émetteur radio a été homologué par Industry Canada pour une utilisation avec les types d'antenne indiqués ci-dessous avec le gain maximum admissible et l'impédance d'antenne requise pour chaque type d'antenne indiqué. Il est strictement interdit d'utiliser des types d'antenne ne figurant pas dans cette liste avec l'appareil, car ces types d'antenne ont un gain supérieur au gain maximum indiqué.

**Code FCC :** DD4AXT200A, DD4AXT200B, DD4AXT200C, DD4AXT200D. **IC :** 616A-AXT200A, 616A-AXT200C, 616A-AXT200D.

Cet appareil est conforme à la ou aux normes RSS d'exemption de licence d'Industrie Canada. L'utilisation de ce dispositif est assujettie aux deux conditions suivantes : (1) ce dispositif ne doit pas causer d'interférences et (2) ce dispositif doit accepter toutes les interférences, y compris celles qui pourraient provoquer un fonctionnement non souhaitable de l'appareil.

Le présent appareil est conforme aux CNR d'Industrie Canada applicables aux appareils radio exempts de licence. L'exploitation est autorisée aux deux conditions suivantes : (1) l'appareil ne doit pas produire de brouillage, et (2) l'utilisateur de l'appareil doit accepter tout brouillage radioélectrique subi, même si le brouillage est susceptible d'en compromettre le fonctionnement.

La déclaration de conformité CE peut être obtenue auprès de Shure Incorporated ou de ses représentants européens. Pour les coordonnées, visiter [www.shure.com](http://www.shure.com)

La déclaration de conformité CE peut être obtenue auprès de : [www.shure.com/europe/compliance](http://www.shure.com/europe/compliance)

Représentant agréé européen :

Shure Europe GmbH

Siège Europe, Moyen-Orient et Afrique

Service : Homologation EMA

Jakob-Dieffenbacher-Str. 12

75031 Eppingen, Allemagne

Téléphone : 49-7262-92 49 0

Télécopie : 49-7262-92 49 11 4

Courriel : [EMEAsupport@shure.de](mailto:EMEAsupport@shure.de)

### RENSEIGNEMENTS SUR L'OCTROI DE LICENCE

Autorisation d'utilisation : Une licence officielle d'utilisation de ce matériel peut être requise dans certains pays. Consulter les autorités compétentes pour les exigences éventuelles. Tout changement ou modification n'ayant pas fait l'objet d'une autorisation expresse de Shure Incorporated peut entraîner la nullité du droit d'utilisation de l'équipement. La licence d'utilisation de l'équipement de microphone sans fil Shure demeure de la responsabilité de l'utilisateur, et dépend de la classification de l'utilisateur et de l'application prévue par lui ainsi que de la fréquence sélectionnée. Shure recommande vivement de se mettre en rapport avec les autorités compétentes des télécommunications pour l'obtention des autorisations nécessaires, et ce avant de choisir et de commander des fréquences.

### Information à l'utilisateur

Cet équipement a été testé et déclaré conforme aux limites pour les appareils numériques de classe B, selon la section 15 des règlements de la FCC. Ces limites sont destinées à assurer une protection raisonnable contre les interférences nuisibles dans une installation résidentielle. Cet équipement produit, utilise et peut émettre de l'énergie radio électrique et, s'il n'est pas installé et utilisé conformément aux présentes instructions, peut causer des interférences nuisibles aux communications radio. Il n'existe toutefois aucune garantie que de telles interférences ne se produiront pas dans une installation particulière. Si cet équipement produit des interférences nuisibles à la réception d'émissions de radio ou de télévision, ce qui peut être établi en mettant l'appareil sous, puis hors tension, il est recommandé à l'utilisateur d'essayer de corriger le problème en prenant l'une ou plusieurs des mesures suivantes :

- Réorienter ou déplacer l'antenne réceptrice.
- Augmenter la distance séparant l'équipement du récepteur.
- Brancher l'équipement sur un circuit électrique différent de celui du récepteur.
- Consulter le distributeur ou un technicien radio et télévision.





## Transmisor de mano AXT200

El transmisor de mano AXT200 con diversidad de frecuencias es un transmisor de mano recargable y controlable remotamente, con diversidad de frecuencias para transmitir audio en una forma fluida y sin interrupciones en los entornos de RF más exigentes. Además de la diversidad de frecuencias, el AXT200 suministra un rendimiento de RF ultra lineal para permitir una mayor cantidad de canales en el aire y proporcionar una excelente calidad de audio. La administración avanzada de potencia proporciona una duración de carga prolongada para las baterías y una medición de estado de alta precisión. El control remoto ShowLink™ permite un control total en tiempo real de todos los parámetros del transmisor, incluidos los ajustes de frecuencia en tiempo real.

### Características

- La diversidad de frecuencias permite la transmisión simultánea en dos frecuencias independientes, lo que garantiza que la señal de audio se transmita en forma fluida y sin interrupciones para transmisores en aplicaciones críticas. El modo de portadora única está disponible, si la diversidad de frecuencias no es necesaria.
- Rendimiento de RF ultra lineal que permite una mayor cantidad de canales en el aire
- Función de sincronización con el puerto IR que sintoniza automáticamente el transmisor a la frecuencia del receptor
- Control remoto total en tiempo real de todos los parámetros del transmisor cuando un transmisor enlazado está dentro del alcance de un punto de acceso ShowLink
- Batería Shure recargable de iones de litio que suministra hasta 9 horas de funcionamiento con una sola carga
- Menú de control avanzado que permite ajustar la frecuencia y los parámetros de audio desde el transmisor
- 42 dB de ganancia ajustable para proporcionar audio de óptima calidad
- Interfaz de usuario con bloqueo para evitar cambios accidentales o inadvertidos en los controles después de establecer los valores de configuración

## Descripción general del transmisor

### ① Cápsula de micrófono

Intercambiable con una amplia variedad de cápsulas Shure

### ② Pantalla LCD

Muestra las pantallas de menú y los valores de configuración. Oprima momentáneamente el botón de alimentación para activar la iluminación de fondo.

### ③ Puerto infrarrojo (IR)

Se usa para la programación automatizada del transmisor. Enlaza el transmisor a un receptor AXT400.

### ④ Batería Shure recargable de iones de litio

Suministra hasta 9 horas de funcionamiento con una sola carga

### ⑤ Anillo de bloqueo

Sujeta firmemente la batería y protege los botones de control

### ⑥ Antena de banda doble

Cubre el intervalo de sintonización de UHF y la señal ShowLink de 2,4 GHz

### ⑦ Botones de flecha

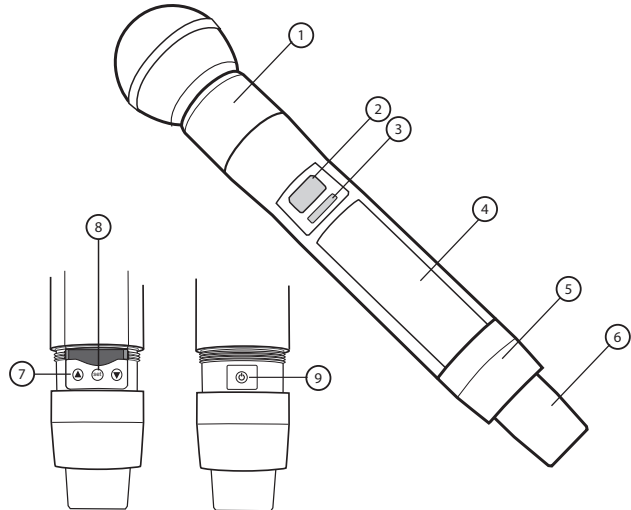
Se usan para desplazarse por las pantallas de menú y para cambiar los valores de los parámetros

### ⑧ Botón Set

Permite la edición de los parámetros. Después de terminar la edición, oprímalo para guardar los cambios y regresar a la pantalla de menú principal.

### ⑨ Botón de alimentación

Manténgalo oprimido durante 1 segundo para encender el transmisor. Para apagar el transmisor, manténgalo oprimido durante 2 segundos hasta que la pantalla muestre **Powering Off**. Durante el proceso de edición de parámetros, funciona como un botón de salida para cancelar los cambios y regresar a los parámetros anteriores o a la pantalla de menú principal.



## Componentes incluidos

Batería recargable de iones de litio (2) para unidad de mano	AXT920 o AXT920SL
Estuche de transporte del transmisor	95A15475
Bolsa con cremallera	26A14
Adaptador de pedestal para micrófono	WA371

### Una (1) de las siguientes cápsulas de micrófono Shure:

SM58 (RPW112)	KSM9 color champán (RPW180)
BETA 87C (RPW122)	BETA 87A (RPW120)
BETA 58A (RPW 118)	KSM9 color negro (RPW184)

## Accesorios opcionales

Batería recargable de iones de litio para unidad de mano	AXT920 o AXT920SL
Estación de carga portátil para unidad de mano	AXT904
Portador para 1 batería AA para el transmisor AXT200 de mano	AXT921
Adaptador de pedestal para micrófono	WA371

### Cápsulas opcionales para micrófonos Shure:

SM58 (RPW112)	BETA 87C (RPW122)	VP68 (RPW124)
BETA 87A (RPW120)	SM87A (RPW116)	KSM9 color negro (RPW184)
SM86 (RPW114)	KSM9 color champán (RPW180)	BETA 58A (RPW118)

## Baterías

El transmisor se alimenta con una batería Shure recargable de iones de litio.

**Precaución:** Apague el transmisor antes de cambiar las baterías.

**Nota:** Consulte el manual de su cargador de baterías para las instrucciones de carga.



## Tiempo de funcionamiento de la batería

El tiempo de funcionamiento de la batería varía de acuerdo con el modo de funcionamiento del transmisor. Unos valores altos en la configuración de alimentación o el funcionamiento en modo de diversidad de frecuencias disminuirán el tiempo de funcionamiento de la batería.

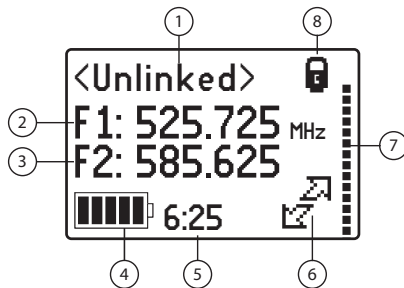
El tiempo restante de funcionamiento de la batería se muestra en la pantalla en horas y minutos (con una tolerancia de 15 minutos).

Los tiempos que se muestran en la tabla corresponden a una batería con un mínimo de 5 ciclos de carga, completamente cargada y en perfecto estado de funcionamiento.

Potencia de RF (mW)	Modo	Tiempo de funcionamiento con ShowLink activado (horas/minutos)	Tiempo de funcionamiento sin ShowLink (horas/minutos)
10	Portador único	9:05	10:00
	Diversidad de frecuencias	6:15	6:45
50	Portador único	6:45	7:15
	Diversidad de frecuencias	4:20	4:40

## Pantalla de menú principal

La pantalla de menú principal muestra los siguientes parámetros del transmisor:



### ① Estado del enlace

- **Linked:** Muestra el nombre del canal del receptor enlazado
- **Unlinked:** No está enlazado a un receptor

### ② Frecuencia 1

Frecuencia 1 sintonizada del transmisor

### ③ Frecuencia 2

Frecuencia 2 sintonizada del transmisor (modo de diversidad de frecuencias habilitado)

### ④ Indicador de carga de la batería

Icono de 5 segmentos que indica visualmente el nivel de carga de la batería

### ⑤ Duración de la carga restante de la batería

Muestra la duración de la carga restante de la batería en horas y minutos

### ⑥ Icono ShowLink

Indica que es posible usar el ShowLink para el control remoto del transmisor

### ⑦ Medidor de audio

Indica el nivel de la señal de audio

### ⑧ Icono de bloqueo del control

Se muestra cuando los botones están bloqueados

## Bloqueo de los botones

Bloquee los botones del transmisor para evitar cambios accidentales o no autorizados en los parámetros.

Mantenga oprimidos los botones **▼** y **▲** durante 2 segundos para bloquearlos. Repita este procedimiento para desbloquearlos.

## Silenciamiento de RF durante el encendido

El silenciamiento de RF durante el encendido evita que se transmita audio durante la secuencia de encendido del transmisor.

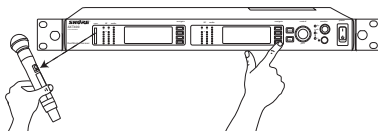
Con el transmisor apagado, mantenga pulsado los botones **▼** y **SET**, y, a continuación, pulse y mantenga pulsado el botón **Power**.

Después del encendido, el mensaje **RF Muted** indica que el transmisor está en el modo de silenciamiento de RF.

**Nota:** El modo de silenciamiento de RF persiste aunque se apague y vuelva a encender el transmisor.

## Enlace a un transmisor con la función de sincronización de IR

La función de sincronización con el puerto IR establece un enlace y la frecuencia entre el transmisor y el receptor AXT400.



1. Obtenga acceso a la función de sincronización de IR en el menú del receptor AXT400: **Tx**
2. Alinee los puertos IR Sync del transmisor y del receptor. El LED IR Sync rojo en el puerto IR del receptor se iluminará para indicar que se ha obtenido el alineamiento correcto. Presione **Sync**.
3. La pantalla del receptor indica si la sincronización con el puerto IR se estableció correctamente. Revise la alineación del transmisor y seleccione **Retry** si ocurre una falla.
4. La identificación de dispositivo transmisor se mostrará en el menú Tx del receptor, y el nombre del canal y la frecuencia del receptor se mostrarán en la pantalla del transmisor para indicar que la sincronización con el puerto IR se estableció correctamente.

## Modo de diversidad de frecuencias del AXT200

El uso de un AXT200 en el modo de diversidad de frecuencias con un receptor AXT400 permite la transmisión simultánea de audio en 2 frecuencias independientes.

1. En el menú del AXT400, vaya a: **Radio > Options > Diversity**
2. Use la perilla de control para fijar el modo en **FD-Handheld**.
3. Ejecute la sincronización de IR para enlazar el transmisor al receptor.

---

## Menús de parámetros

Use los botones de flecha para obtener acceso a los siguientes menús de parámetros.

### Grupo y canal

Un grupo es un conjunto de frecuencias compatibles. Cada una de las frecuencias en el grupo es un canal.

- G:**  
Cambia el grupo
- Ch:**  
Cambia el canal

### F1: y F2: Frecuencia

Use las teclas SET y de flecha para cambiar la frecuencia en incrementos de 25 kHz.

### Disable F2

En el modo de diversidad de frecuencias, es posible inhabilitar la segunda frecuencia en el menú de frecuencia **F2:** o el menú de grupo y canal **F2:**.

- F2: ON**  
Enable F2
- F2: OFF**  
Disable F2

### Gain

Establece el nivel de sensibilidad de entrada (ganancia). El intervalo de la ganancia está entre -10 y +32 dB, en pasos de 1 dB.

### Silenciamiento de RF

Inhabilita la señal portadora de RF, lo que silencia la transmisión de audio.

- TX On:**  
Señal de RF habilitada
- TX Off:**  
Señal de RF inhabilitada

### Firmware

Muestra la versión del firmware instalado.

### Device ID

Identifica al transmisor en un receptor enlazado o en el software WWB.

- La longitud de la identificación puede ser de hasta 8 caracteres
- Use los botones de flecha para desplazarse a través de los caracteres
- Use el botón **set** para guardar el carácter seleccionado y moverse al siguiente carácter

### AA Type

Este valor de configuración garantiza una medición precisa de la batería cuando se usa el portador opcional para baterías AA. Establezca el tipo de batería en **Alkaline** (alcalina), **NiMH** o **Lithium** (litio).

**Nota:** El menú no se muestra a menos que un portador de baterías AA esté instalado.

### ShowLink Test

Activa la visualización de las 5 barras para la prueba de ShowLink. Mide el alcance del control remoto de un punto de acceso ShowLink.

- 5 barras indican el centro del área de cobertura
- 1 barra indica el límite exterior del área de cobertura
- Si no se muestra ninguna barra, el control ShowLink no está disponible

### Unlink

Desactiva la relación de enlace entre el transmisor y el receptor.

- YES:**  
Desactiva el enlace entre el transmisor y el receptor.
- NO:**  
Mantiene activo el enlace entre el transmisor y el receptor.

**Nota:** Cuando un transmisor se desenlaza, el nombre del canal regresa a **Unlinked**.

### RF PWR

Establece el nivel de potencia de RF. Obtenga acceso a este menú manteniendo oprimido el botón **set** y presionando luego el botón **▼**.

Use los valores más bajos de configuración de potencia para conservar la duración de la batería y evitar la sobrecarga de RF en el receptor.

**Nota:** Se requiere una contraseña en algunas regiones.

### PCB Serial Number

Muestra el número de serie de la tarjeta de circuitos impresos (PCB) instalada en la unidad.

1. Ingrese al menú **RF PWR** manteniendo presionado el botón **set** y presionando luego el botón **▼**.
2. Presione el botón **▲** para obtener acceso al número de serie.
3. Oprima momentáneamente el botón de alimentación para regresar a la pantalla de menú inicial.

---

## Localización de averías

### No ShowLink Alert

Esta alerta se muestra cuando se edita la frecuencia en un transmisor enlazado que está fuera del alcance de un punto de acceso ShowLink activo. Seleccione **OK** para desenlazar el transmisor y completar el cambio de frecuencia, o **Cancel** para regresar a la pantalla inicial.

### Sobrecarga de entrada

El mensaje **Input Overload** (sobrecarga de entrada) indica un nivel excesivo de señal en la entrada del transmisor. Para evitar la sobrecarga, disminuya el valor de configuración de la ganancia.

### Baterías excesivamente descargadas

La descarga excesiva ocurre cuando una batería se descarga a un nivel menor que 3,0 voltios. Los cargadores de baterías tienen un modo de recuperación, diseñado para recuperar la carga de una batería excesivamente descargada.

Cuando un cargador detecta una batería excesivamente descargada, entra automáticamente en el modo de recuperación, en el cual se suministra corriente reducida a la batería durante un máximo de 30 minutos.

Si no hay problemas con la recuperación, el cargador sale del modo de recuperación y carga la batería hasta su plena capacidad. Si no es posible recargar la batería, la carga se suspende y la batería debe reemplazarse.

---

## Actualizaciones del firmware

El firmware es un software incorporado que se usa para controlar las características y la interfaz del usuario. Periódicamente, nuevas versiones del firmware se ponen a disposición para su descarga en [www.shure.com/wwb](http://www.shure.com/wwb) a fin de incorporar características y mejoras adicionales. Las nuevas versiones del firmware pueden descargarse al receptor AXT400 usando la herramienta Firmware Update Manager (Administrador de actualizaciones del firmware), disponible en el software WWB6 e instalada en el transmisor usando los puertos infrarrojos del transmisor y del receptor.

Para obtener acceso al menú de actualización del firmware del receptor AXT400, vaya a: **Tx > IR Presets > FW Update**

# Especificaciones- Transmisor de mano AXT200

<b>Rango de frecuencias portadoras</b>	470-814 MHz Nota: varía según la región
<b>Alcance</b>	<b>En condiciones típicas:</b> 150 m (500 pies) <b>Línea de vista, a la intemperie para sistema único:</b> 500 m (1600 pies) Nota: El alcance real depende de los niveles de absorción, reflexión e interferencia de la señal de RF.
<b>Respuesta de audiofrecuencia</b>	40 – 18 kHz (+1, -3 dB) Nota: Depende del tipo de micrófono
<b>Tamaño del incremento de sintonización de RF</b>	25 kHz
<b>Modulación</b> Desviación máxima de 45 kHz	FM, Comander de referencia de audio con preénfasis y deénfasis
<b>Rango dinámico</b>	>113 dB, Ponderación A (referenciado al ajuste de 0 dB en el transmisor)
<b>Distorsión armónica total</b> Desviación máxima de 45 kHz	<0,3%, Ponderación A, típico
<b>Polaridad de audio del sistema</b>	Una presión positiva en el diafragma del micrófono (o un voltaje positivo aplicado a la punta del conector tipo audífono WA302) produce un voltaje positivo en la clavija 2 (con respecto a la clavija 3 de la salida de baja impedancia) y con respecto a la punta de la salida de alta impedancia con jack de 1/4 pulg.

## AXT200

<b>Rango de ajuste de ganancia</b>	-10 a +32 dB (en incrementos de 1 dB)
<b>Tipo de batería</b>	Shure AXT920/920SL (Iones de litio recargable)
<b>Duración de la pila</b>	Hasta 9 horas (modo de baja potencia, Modo portador único)
<b>Dimensiones</b>	261 mm x 37 mm (10,3 pulg x 2,6 pulg) L x Diám.
<b>Peso</b>	395 g (13,9 oz), con pilas
<b>Caja</b>	Aluminio fresado
<b>Gama de temperatura de funcionamiento</b>	-18°C (0°F) a 63°C (145°F) Nota: Las características de la pila podrían limitar este rango.
<b>Intervalo de temperaturas de almacenamiento</b>	-29°C (-20°F) a 74°C (165°F) Nota: Las características de la pila podrían limitar este rango.

## Entrada de audio

<b>Configuración</b>	Desequilibrada		
<b>Impedancia</b>	>30 kΩ		
<b>Nivel máximo de entrada</b> 1 kHz con 1% THD	<b>posición de ganancia:</b>	<b>-10 a +11 dB:</b>	5,5 dBu
		<b>+12 a +32 dB:</b>	-6,5 dBu

## Salida de RF

<b>Conector</b>	SMA (UHF y ShowLink); Casco=tierra, centro=señal		
<b>Tipo de antena</b>	Helicoidal de banda doble integrada		
<b>Alimentación</b>	Consulte la tabla de intervalos de frecuencia y potencia de salida		
<b>Modo</b>	<b>Diversidad de frecuencias:</b>	<b>Portador doble</b>	
	<b>Portador único:</b>	<b>Portador único</b>	
<b>Impedancia</b>	50 Ω		

## ShowLink ShowLink

<b>Tipo de red</b>	IEEE 802.15.4
<b>Rango de frecuencias</b>	2,40 a 2,4835 GHz (16 canales)
<b>Potencia RF de salida</b>	10 dBm (Energía irradiada efectiva (ERP))

## Tablas y diagramas

### Rango de frecuencias y potencia de salida del transmisor

Banda	Rango de frecuencias ( MHz)	Alimentación ( mW)
G1	470 a 530	10/50
G1E	470 a 530	10/50
H4	518 a 578	10/50
H4E	518 a 578	10/50
J5	578 a 638	10/50
J5E	578 a 638	10/50
K4E	606 a 666	10/50
L3	638 a 698	10/50
L3E	638 a 698	10/50
L3HK	638 a 698	10
M8	666 a 730	10/50
P8	710 a 790	10/50
P9	710 a 787	10/50
Q5	740 a 814	10/50
MA24	779 a 806	10
MJBX	806 a 810	10

## Ganancia del sistema

En un sistema de audio que contiene receptores AXT400 y UR4, la ganancia de audio total del sistema en la salida XLR (línea) varía dependiendo del modelo de receptor y del tipo de transmisor.

La tabla siguiente presenta una comparación de la ganancia de salida en la salida XLR para receptores AXT400 y UR4 para cada modelo de transmisor. Use la información de la tabla para obtener niveles de ganancia consistentes cuando se utilicen sistemas que tienen componentes serie Axient y serie UR.

### Ganancia del sistema desde la entrada del transmisor hasta la salida XLR (línea) del receptor cuando la ganancia del transmisor es 0 dB

Transmisor		AXT100 de cuerpo	AXT200 de mano	UR1 de cuerpo	UR1M de cuerpo	UR2 de mano
		ganancia = 0 dB	ganancia = 0 dB	ganancia = 0 dB	ganancia = 0 dB	ganancia = 0 dB
				sens = 0 dB	sens = 0 dB	
Receptor	AXT400	ganancia +10 dB	ganancia +15 dB	ganancia +15 dB	ganancia +15 dB	ganancia +15 dB
ajuste de ganancia = 0 dB	UR4	N/C	N/C	ganancia +18 dB	ganancia +18 dB	ganancia +18 dB

## Certificaciones

Cumple los requisitos de las siguientes directrices europeas:

- Directriz R&TTE 99/5/EC
- Directriz WEEE 2002/96/EC, según enmienda 2008/34/EC

Se recomienda respetar las directrices de reciclado de la región relativas a desechos electrónicos

- Directriz RoHS 2002/95/EC, según enmienda 2008/35/EC

Cumple los requisitos de las siguientes normas: EN 300 328, EN 300 422 Partes 1 y 2, EN 301 489 Partes 1 y 9, EN60065.

Certificado de acuerdo con FCC Parte 15 y FCC Parte 74.

Certificado en Canadá por IC según RSS-123 y RSS-210.

Este aparato digital de categoría B cumple con la norma canadiense ICES-003. Cet appareil numérique de la classe B est conforme à la norme NMB-003 du Canada.

Este transmisor de radio está aprobado por Industry Canada para funcionar con los tipos de antena que se indican a continuación, con la máxima ganancia permisible y la impedancia de antena requerida para cada tipo de antena. El uso en este dispositivo de tipos de antena que no se incluyen en esta lista, con una ganancia mayor que la ganancia máxima indicada para ese tipo, está estrictamente prohibido.

**IDENT. FCC:** DD4AXT200A, DD4AXT200B, DD4AXT200C, DD4AXT200D. **IC:** 616A-AXT200A, 616A-AXT200C, 616A-AXT200D.

Este dispositivo cumple las normas RSS de excepción de licencia de Industry Canada. El uso de este dispositivo está sujeto a las dos condiciones siguientes: (1) no se permite que este dispositivo cause interferencias, y (2) este dispositivo deberá aceptar cualquier interferencia, incluso la que pudiera causar su mal funcionamiento.

Le présent appareil est conforme aux CNR d'Industrie Canada applicables aux appareils radio exempts de licence. L'exploitation est autorisée aux deux conditions suivantes : (1) l'appareil ne doit pas produire de brouillage, et (2) l'utilisateur de l'appareil doit accepter tout brouillage radioélectrique subi, même si le brouillage est susceptible d'en compromettre le fonctionnement.

La declaración de homologación de CE puede obtenerse de Shure Incorporated o de cualquiera de sus representantes europeos. Para información de contacto, por favor visite [www.shure.com](http://www.shure.com)

La declaración de homologación de CE se puede obtener en: [www.shure.com/europe/compliance](http://www.shure.com/europe/compliance)

Representante europeo autorizado:

Shure Europe GmbH

Casa matriz en Europa, Medio Oriente y África

Departamento: Aprobación para región de EMEA

Jakob-Dieffenbacher-Str. 12

75031 Eppingen, Alemania

Teléfono: 49-7262-92 49 0

Fax: 49-7262-92 49 11 4

Correo electrónico: [EMEAsupport@shure.de](mailto:EMEAsupport@shure.de)

### INFORMACION DE LICENCIA

Licencia de uso: Se puede requerir una licencia ministerial para utilizar este equipo en algunas áreas. Consulte a la autoridad nacional para posibles requisitos. Los cambios o modificaciones que no tengan la aprobación expresa de Shure Incorporated podrían anular su autoridad para usar el equipo. La obtención de licencias para los equipos de micrófonos inalámbricos Shure es responsabilidad del usuario, y la posibilidad de obtenerlas depende de la clasificación del usuario y el uso que va a hacer del equipo, así como de la frecuencia seleccionada. Shure recomienda enfáticamente que el usuario se ponga en contacto con las autoridades de telecomunicaciones correspondientes respecto a la obtención de licencias antes de seleccionar y solicitar frecuencias.

### Información para el usuario

Este equipo ha sido probado y hallado en cumplimiento con los límites establecidos para un dispositivo digital categoría B, según la Parte 15 de las normas de la FCC. Estos límites han sido diseñados para proporcionar una protección razonable contra las interferencias perjudiciales en instalaciones residenciales. Este equipo genera, utiliza y puede irradiar energía de radiofrecuencia y, si no se instala y utiliza de acuerdo con las instrucciones, puede causar interferencias perjudiciales a las comunicaciones de radio. Sin embargo, no se garantiza que no ocurrirán interferencias en una instalación particular. Si este equipo causara interferencias perjudiciales a la recepción de radio o televisión, que se puede determinar apagando y encendiendo el equipo, se recomienda tratar de corregir la interferencia realizando una de las siguientes acciones:

- Cambie la orientación o la ubicación de la antena receptora.
- Aumente la distancia entre el equipo y el receptor.
- Conecte el equipo a un tomacorriente de un circuito diferente al que está conectado el receptor.
- Consulte al concesionario o a un técnico de radio/TV con experiencia para recibir ayuda.



## Transmissor de Mão AXT200

O Transmissor de Mão AXT200 com Diversidade de Frequência é um transmissor manual recarregável, com possibilidade de ser controlado remotamente e com Diversidade de Frequência, para áudio contínuo e ininterrupto, mesmo nos mais desafiadores ambientes de RF. Além da Diversidade de Frequência, o AXT200 fornece desempenho ultra linear de RF para mais canais no ar e qualidade de áudio soberba. Um avançado gerenciamento de energia possibilita uma vida útil estendida da bateria e alta precisão na medição de status. O controle remoto ShowLink™ possibilita o controle abrangente em tempo real de todos os parâmetros do transmissor, incluindo ajustes de frequência em tempo real.

### Recursos

- A Diversity de Frequência possibilita a transmissão simultânea em duas frequências independentes para garantir áudio perfeito e ininterrupto para transmissores essenciais em situações de RF extremas. Se a Diversity de Frequência não for necessária, está disponível o modo de portadora única.
- Desempenho ultra linear de RF disponibiliza mais canais no ar
- A função de sincronização IR automaticamente sintoniza o transmissor na frequência do receptor.
- Controle remoto abrangente em tempo real de todos os parâmetros do transmissor quando um transmissor conectado está no alcance de um Ponto de Acesso ShowLink
- Bateria recarregável Shure de íons de lítio possibilita até 9 horas de operação com uma única carga
- Avançado menu de controle para ajuste de frequência e configurações de áudio a partir do transmissor
- Ganho ajustável de 42 dB para melhor qualidade de áudio
- Interface de usuário bloqueável evita alterações acidentais ou inadvertidas aos controles após as configurações

## Visão Geral do Transmissor

### ① Cápsula do microfone

Intercambiável com uma série de cápsulas Shure

### ② Mostrador de LCD

Exibe telas de menus e configurações. Pressione momentaneamente o botão liga/desliga para ativar a iluminação de fundo.

### ③ Porta de Infravermelho (IR)

Use para a programação automatizada do transmissor. Conecta o transmissor ao Receptor AXT400.

### ④ Bateria Recarregável de Íons de Lítio Shure

Possibilita até 9 horas de operação com uma única carga

### ⑤ Anel de Travamento

Prende a bateria e protege os botões de controle

### ⑥ Antena de Banda Dupla

Cobre a faixa de sintonia de UHF e o sinal de 2,4 GHz do ShowLink

### ⑦ Teclas de Seta

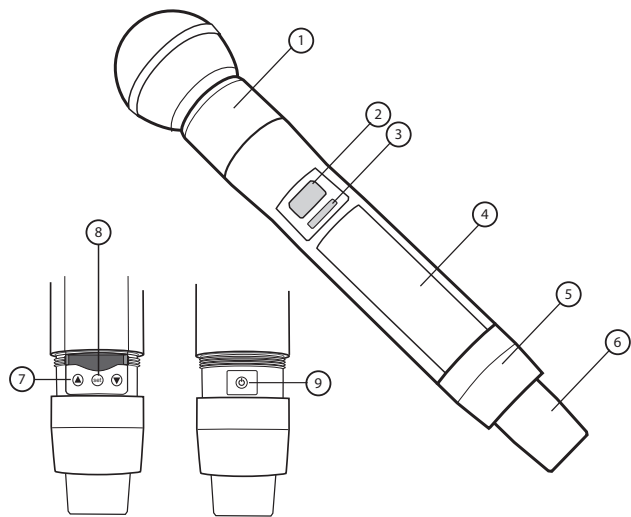
Utilize para rolar pelas telas do menu e para alterar valores de parâmetros

### ⑧ Botão Set (Ajustar)

Possibilita a edição de parâmetros. Ao final da edição, pressione para salvar as alterações e retornar à tela do menu principal.

### ⑨ Botão Liga/Desliga

Pressione durante 1 segundo para ligar o transmissor. Para desligar, pressione e segure durante 2 segundos até que o mostrador exiba **Powering Off** (Desligando). Durante a edição de parâmetros, atua como um botão de saída para cancelar alterações e retornar a um parâmetro anterior ou à tela do menu principal.



## Componentes Incluídos

Bateria recarregável de íons de lítio do portátil (2)	AXT920 ou AXT920SL
Maleta de transporte do transmissor	95A15475
Bolsa com zíper	26A14
Adaptador para pedestal de microfone	WA371

### Escolha de uma (1) das seguintes cápsulas de microfone Shure:

SM58 (RPW112)	KSM9 Champanhe (RPW180)
BETA 87C (RPW122)	BETA 87A (RPW120)
BETA 58A (RPW 118)	KSM9 Preto (RPW184)

## Acessórios Opcionais

Bateria de mão recarregável de íons de lítio	AXT920 ou AXT920SL
Carregador portátil de mão	AXT904
Cartucho para 1 pilha AA para transmissor de mão AXT200	AXT921
Adaptador para pedestal de microfone	WA371

### Cápsulas de microfone Shure opcionais:

SM58 (RPW112)	BETA 87C (RPW122)	VP68 (RPW124)
BETA 87A (RPW120)	SM87A (RPW116)	KSM9 Preto (RPW184)
SM86 (RPW114)	KSM9 Champagne (RPW180)	BETA 58A (RPW118)

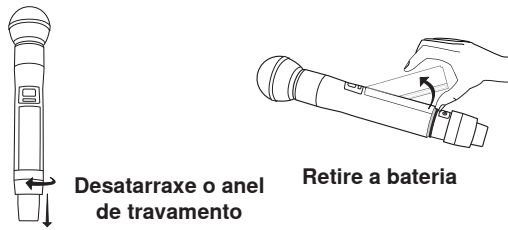


## Baterias

O transmissor é alimentado por uma bateria recarregável Shure de íons de lítio

**Cuidado:** Desligue o transmissor antes de trocar as baterias.

**Observação:** Consulte o manual do carregador da bateria para saber as instruções de carga.



## Tempo de Operação da Bateria

O tempo de operação da bateria varia de acordo com o modo de operação do transmissor. Ajustes de alta potência ou a operação no modo Diversidade de Frequência reduzirão o tempo de operação da bateria.

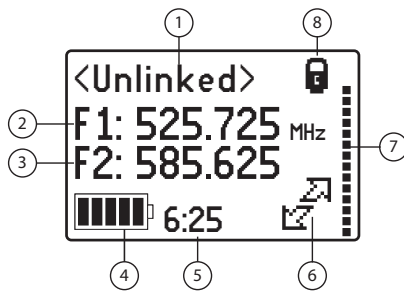
O tempo restante de operação é exibido no mostrador em horas e minutos (preciso até 15 minutos).

Os tempos mostrados na tabela representam uma bateria com um mínimo de 5 ciclos de carga, totalmente carregada, com saúde 100%.

Potência de RF (mW)	Modo	Tempo de operação com ShowLink ativado (horas/minutos)	Tempo de operação sem o ShowLink (horas/ minutos)
10	Portadora única	9:05	10:00
	Diversidade de frequência	6:15	6:45
50	Portadora única	6:45	7:15
	Diversidade de frequência	4:20	4:40

## Tela do Menu Principal

A tela do menu principal exibe os seguintes parâmetros do transmissor:



### 1 Status da Conexão

- Linked** (Conectado): Exibe nome do canal do receptor conectado
- Unlinked** (Não conectado): Não conectado a um receptor

### 2 Frequência 1

Sintonizada frequência 1 do transmissor

### 3 Frequência 2

Sintonizada frequência 2 do transmissor (modo Diversidade de Frequência ativado)

### 4 Indicador de Carga da Bateria

Ícone de 5 segmentos indica visualmente a duração da bateria

### 5 Duração Restante da Bateria

Exibe a duração restante da bateria em horas e minutos

### 6 Ícone Showlink

Indica que é possível o controle remoto do transmissor via ShowLink

### 7 Medidor de Áudio

Indica o nível do sinal de áudio

### 8 Ícone de Bloqueio do Controle

Exibido quando os botões estão bloqueados

## Bloqueio dos Botões

Bloqueia os botões do transmissor para evitar alterações acidentais ou não autorizadas das configurações.

Pressione e segure os botões ▼ e ▲ por 2 segundos para bloquear. Repita para desbloquear.

## Emudecimento de RF ao Ligar

O emudecimento de RF ao ligar evita a transmissão de áudio quando o transmissor é ligado.

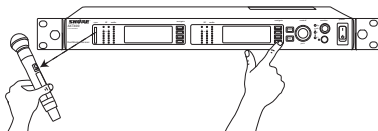
Com o transmissor desligado, pressione e mantenha pressionados os botões ▼ e SET e depois pressione e mantenha pressionado o botão Power.

Depois de ligar, uma mensagem **RF Muted** (RF mudo) indica que o transmissor está no modo de emudecimento de RF.

**Observação:** O modo de emudecimento de RF permanece ativo mesmo que o transmissor seja desligado e religado.

## Conexão a um Transmissor usando a Sincronização IR (Infravermelha)

A função de sincronização IR faz a conexão e configura a frequência entre o transmissor e um Receptor AXT400.



1. Acesso à função de Sincronização IR no menu do receptor AXT400: **Tx**

2. Alinhe as portas de Sincronização IR do transmissor e do receptor. O LED vermelho de Sincronização IR na porta IR do receptor acende para indicar alinhamento correto. Pressione **Sync**.

3. O mostrador do receptor indica se a sincronização IR teve êxito. Se houve falha, verifique o alinhamento do transmissor e selecione **Retry** (Tentar novamente).

4. A ID do dispositivo transmissor será mostrada no menu TX do receptor e o nome do canal e a frequência do receptor serão exibidos no mostrador do transmissor, indicando uma sincronização IR bem sucedida.

## Modo Diversidade de Frequência do AXT200

A operação do AXT200 no modo Diversidade de Frequência com um Receptor AXT400 possibilita a transmissão simultânea de áudio em 2 frequências independentes.

1. No menu do AXT400: **Radio > Options > Diversity**

2. Use o botão de controle para definir o modo para **FD-Handheld**.

3. Faça uma Sincronização IR para Conectar o transmissor ao receptor.



---

## Menus de Parâmetros

Use os botões de seta para acessar os seguintes menus de parâmetros.

### Grupo e Canal

Um grupo é um conjunto de frequências compatíveis. Uma única frequência dentro de um grupo é um canal.

- G:**  
Alteração do grupo
- Ch:**  
Alteração do canal

### F1: e F2: Frequência

Use as teclas de configuração e de seta para alterar a frequência em incrementos de 25 KHz.

### Desativa F2

Quando no modo diversidade de frequência, a segunda frequência pode ser desativada no menu de frequência **F2:** ou no menu de grupo e canal **F2:** .

- F2: ON (Ligada)**  
Ativa F2
- F2: OFF (Desligada)**  
Desativa F2

### Gain

Ajusta o nível de sensibilidade da entrada (ganho). A faixa do ganho é de -10 a +32 dB em passos de 1 dB.

### Emudecimento de RF

Desativa o sinal da portadora de RF, o que emudece a transmissão de áudio.

- TX On:**  
Sinal de RF ativado
- TX Off:**  
Sinal de RF desativado

### Firmware

Exibe a versão de firmware instalada.

### Device ID

Identifica o transmissor em um receptor conectado ou no software WWB.

- O comprimento da ID pode ser de até 8 caracteres
- Use os botões de seta para rolar pelos caracteres
- Use o botão **set** (ajustar) para salvar e mover para o próximo caractere

### AA Type

Esta configuração assegura medição precisa da bateria quando utilizando o cartucho opcional para pilhas AA. Defina o tipo da bateria como **Alkaline** (Alcalina), **NiMH** ou **Lithium** (Lítio).

**Observação:** O menu não é exibido até que seja instalado o cartucho para pilhas AA.

### ShowLink Test

Ativa a exibição de 5 barras do teste do ShowLink. Mede o alcance do controle remoto do Ponto de acesso do ShowLink.

- 5 barras indica o centro da área de cobertura
- 1 barra indica o limite externo da área de cobertura
- Se as barras não são exibidas, o controle do ShowLink não está disponível

### Unlink

Finaliza a Interconexão entre o transmissor e o receptor.

- YES:**  
Finaliza a Interconexão entre o transmissor e o receptor.
- NO:**  
Preserva a Interconexão entre o transmissor e o receptor.

**Observação:** Quando um transmissor é desconectado, o nome do canal reverte para **Unlinked** (não conectado).

### RFPWR

Ajusta o nível de potência de RF. Acesse este menu pressionando e segurando o botão **set** (ajustar) e em seguida pressionando o botão **v**.

Use ajustes menores de potência para poupar as pilhas e para evitar sobrecarga de RF no receptor.

**Observação:** Em algumas regiões será necessário uma senha.

### PCB Serial Number

Exibe o número de série da PCB (placa de circuito impresso) instalada na unidade.

1. Entre no menu **RFPWR** pressionando e segurando o botão **set** e em seguida pressionando o botão **v**.
2. Pressione o botão **▲** para acessar o número de série.
3. Pressione momentaneamente o botão liga/desliga para retornar à tela do menu inicial.

---

## Resolução de Problemas

### No ShowLink Alert

Este alerta aparece quando uma frequência é editada em um transmissor conectado que está fora do alcance de um ponto de acesso ativo do ShowLink. Selecione **OK** para desconectar o transmissor e concluir a troca de frequência ou **Cancel** (Cancelar) para retornar à tela inicial.

### Sobrecarga na Entrada

A mensagem **Input Overload** (Sobrecarga na entrada) indica um nível excessivo de sinal na entrada do transmissor. Para evitar a sobrecarga, reduza o ajuste de ganho.

### Baterias Profundamente Descarregadas

A descarga profunda ocorre quando a bateria é descarregada a menos de 3,0 V. Os carregadores de bateria possuem um modo apropriado para restaurar a carga de uma bateria profundamente descarregada.

Quando o carregador detecta uma bateria profundamente descarregada, ele entra automaticamente no modo de recuperação, que carrega a bateria utilizando uma corrente reduzida por até 30 minutos.

Se a recuperação for bem-sucedida, o carregador sai do modo de recuperação e carrega a bateria até sua capacidade. Se a bateria não puder ser recarregada, a carga para e a bateria deverá ser substituída.

---

## Atualizações de Firmware

O firmware é um software incorporado usado para controlar recursos e a interface com o usuário. Periodicamente, novas versões de firmware são disponibilizadas para download em [www.shure.com/wwb](http://www.shure.com/wwb) para incorporar recursos adicionais e melhorias. Novas versões de firmware podem ser descarregadas no Receptor AXT400 utilizando a ferramenta Firmware Update Manager disponível no software WWB6 e instaladas no transmissor através das portas infravermelho do transmissor e do receptor.

Para acessar o menu de atualização de firmware do receptor AXT400: **Tx > (Transmissor)IRPresets > (Predefinidos para IR)(FW Update** (Atualização de firmware)

# Especificações- Transmissor de Mão AXT200

<b>Faixa de frequência da portadora de RF</b>	470-814 MHz Observação: varia conforme a região
<b>Faixa de trabalho</b>	<b>Sob condições típicas:</b> 150 m (500 pés) <b>Linha de Vista, externa para um único sistema:</b> 500 m (1600 pés)  Observação: A faixa real de alcance depende da absorção, reflexão e interferência do sinal de RF.
<b>Resposta da Frequência de Áudio</b>	40 – 18 kHz (+1, -3 dB) Observação: Depende do tipo de microfone
<b>Intervalo do Passo da Sintonia de RF</b>	25 kHz
<b>Modulação</b> Desvio máximo de 45 kHz	FM, Compressão de Referência de Áudio com pré- e de-ênfase
<b>Escala Dinâmica</b>	>113 dB, Ponderação A (referenciado ao ajuste de 0 dB no transmissor)
<b>Distorção Harmônica Total</b> Desvio máximo de 45 kHz	<0,3%, Ponderação A, típico
<b>Polaridade de Áudio do Sistema</b>	Pressão positiva no diafragma do microfone (ou tensão positiva aplicada na ponta do plugue de fone WA302) produz uma tensão positiva no pino 2 (em relação ao pino 3 da saída de baixa impedância) e na ponta da saída de 1/4 de polegada de alta impedância.

## AXT200

<b>Faixa de ajuste de ganho</b>	-10 a +32 dB (em passos de 1 dB)
<b>Tipo de Bateria</b>	Shure AXT920/920SL (Li-íon Recarregável)
<b>Vida Útil da Bateria</b>	Até 9 horas (modo de potência baixo, Modo de Portadora Única)
<b>Dimensões</b>	261 mm x 37 mm (10,3 pol. x 2,6 pol.) Compr. x Diâm.
<b>Peso</b>	395 g (13,9 oz.), com baterias
<b>Alojamento</b>	Alumínio usinado
<b>Faixa de Temperatura de Operação</b>	-18°C (0°F) a 63°C (145°F) Observação: As características da bateria podem limitar esta faixa.
<b>Faixa de Temperatura de Armazenamento</b>	-29°C (-20°F) a 74°C (165°F) Observação: As características da bateria podem limitar esta faixa.

## Entrada de Áudio

<b>Configuração</b>	Desbalanceado
<b>Impedância</b>	>30 kΩ
<b>Nível Máximo de Entrada</b> 1 kHz a 1% THD	<b>posição de ganho:</b> -10 a +11 dB: 5,5 dBu +12 a +32 dB: -6,5 dBu

## Saída de RF

<b>Conector</b>	SMA (UHF e ShowLink); Invólucro=Terra, Centro=Sinal
<b>Tipo de Antena</b>	Helicoidal de Banda Dupla Integrada
<b>Alimentação Elétrica</b>	Consulte a tabela de Faixa de Frequências e Potência de Saída
<b>Modo</b>	<b>Diversidade de Frequência:</b> Portadora Dupla <b>Portadora Única:</b> Portadora Única
<b>Impedância</b>	50 Ω

## ShowLink ShowLink

<b>Tipo de Rede</b>	IEEE 802.15.4
<b>Faixa de Frequência</b>	2,40 a 2,4835 GHz (16 Canais)
<b>Potência de Saída de RF</b>	10 dBm (ERP)

## Tabelas e Diagramas

### Faixa de Frequência e Potência de Saída do Transmissor

Banda	Faixa de Frequência ( MHz)	Alimentação Elétrica ( mW)
G1	470 a 530	10/50
G1E	470 a 530	10/50
H4	518 a 578	10/50
H4E	518 a 578	10/50
J5	578 a 638	10/50
J5E	578 a 638	10/50
K4E	606 a 666	10/50
L3	638 a 698	10/50
L3E	638 a 698	10/50
L3HK	638 a 698	10
M8	666 a 730	10/50
P8	710 a 790	10/50
P9	710 a 787	10/50
Q5	740 a 814	10/50
MA24	779 a 806	10
MJBX	806 a 810	10

## Ganho do Sistema

Em um sistema de áudio contendo ambos receptores AXT400 e UR4, o ganho de áudio geral do sistema na saída XLR (linha) varia dependendo do modelo do receptor e do tipo de transmissor.

A tabela abaixo mostra uma comparação do ganho de saída na saída XLR para os receptores AXT400 e UR4 para cada modelo de transmissor. Use a informação na tabela para obter níveis de ganho consistentes ao usar sistemas compostos de componentes da série Axient e da série UR.

### Ganho do sistema da entrada do transmissor à saída XLR do receptor (linha) quando o ganho do transmissor = 0 dB

Transmissor		Bodypack AXT100	AXT200 de Mão	Bodypack UR1	Bodypack UR1M	UR2 de Mão
		ganho = 0 dB	ganho = 0 dB	ganho = 0 dB sens = 0 dB	ganho = 0 dB sens = 0 dB	ganho = 0 dB
Receptor	AXT400	ganho +10 dB	ganho +15 dB	ganho +15 dB	ganho +15 dB	ganho +15 dB
ajuste de ganho = 0 dB	UR4	N/D	N/D	ganho +18 dB	ganho +18 dB	ganho +18 dB

## Certificações

Atende aos requisitos essenciais das seguintes Diretivas Europeias:

- Diretiva R&TTE 99/5/EC
- Diretiva WEEE 2002/96/EC como emendada pela 2008/34/EC.

Siga o esquema de reciclagem regional para resíduos eletrônicos.

- Diretiva RoHS 2002/95/EC como emendada pela 2008/35/EC.

Atende aos requisitos das seguintes normas: EN 300 328, Partes 1 e 2 da Norma EN 300 422, Partes 1 e 9 da Norma EN 301 489, EN60065.

Certificado de acordo com a Parte 15 e Parte 74 da FCC.

Certificado pelo IC no Canadá sob a RSS-123 e RSS-210.

Este aparelho digital Classe B está em conformidade com a Canadian ICES-003. Cet appareil numérique de la classe B est conforme à la norme NMB-003 du Canada.

Este transmissor de rádio foi aprovado pela Industry Canada para operar com os tipos de antenas listados abaixo com o ganho máximo permissível e a necessária impedância de antena para cada tipo de antena indicada. Os tipos de antenas não incluídas nesta lista, que tenham um ganho maior que o ganho máximo indicado para aquele tipo, estão terminantemente proibidas para uso com este dispositivo.

**ID da FCC:** DD4AXT200A, DD4AXT200B, DD4AXT200C, DD4AXT200D. **IC:** 616A-AXT200A, 616A-AXT200C, 616A-AXT200D.

Este dispositivo está em conformidade com a(s) norma(s) RSS de isenção de licença da Indústria Canadense. A operação deste dispositivo está sujeita às seguintes condições: (1) este dispositivo não pode causar interferência; e (2) este dispositivo deve aceitar quaisquer interferências, incluindo algumas que possam causar operação não desejada do dispositivo.

Le présent appareil est conforme aux CNR d'Industrie Canada applicables aux appareils radio exempts de licence. L'exploitation est autorisée aux deux conditions suivantes : (1) l'appareil ne doit pas produire de brouillage, et (2) l'utilisateur de l'appareil doit accepter tout brouillage radioélectrique subi, même si le brouillage est susceptible d'en compromettre le fonctionnement.

A Declaração de Conformidade da CE pode ser obtida da Shure Incorporated ou de qualquer um dos seus representantes europeus. Para informações de contato, visite [www.shure.com](http://www.shure.com)

A Declaração de Conformidade da CE pode ser obtida em: [www.shure.com/europe/compliance](http://www.shure.com/europe/compliance)

Representante Autorizado Europeu:

Shure Europe GmbH

Headquarters Europe, Middle East & Africa

Department: EMEA Approval

Jakob-Dieffenbacher-Str. 12

75031 Impingem, Alemanha

Telefone: 49-7262-92 49 0

Fax: 49-7262-92 49 11 4

E-mail: [EMEAsupport@shure.de](mailto:EMEAsupport@shure.de)

### INFORMAÇÕES SOBRE A LICENÇA

Licença: Em determinados locais, pode ser necessário obter uma autorização ministerial para operar este equipamento. Consulte a sua autoridade nacional sobre possíveis requisitos. Alterações ou modificações não expressamente aprovadas pela Shure Incorporated podem anular a autorização do usuário para a operação do equipamento. A licença do equipamento de microfone sem fio da Shure é de responsabilidade do usuário e a licença depende da classificação e aplicação do usuário e da frequência selecionada. A Shure recomenda enfaticamente ao usuário contatar a devida autoridade de telecomunicações com relação à devida licença antes de escolher e encomendar as frequências.

### Informações para o usuário

Este equipamento foi testado e está de acordo com os limites para um dispositivo digital Classe B, segundo a Parte 15 das Normas do FCC. Estes limites foram projetados para fornecer razoável proteção contra interferência prejudicial em uma instalação residencial. Este equipamento gera, usa e pode irradiar energia de radiofrequência e, se não for instalado e usado conforme as instruções, pode causar interferência prejudicial às comunicações de rádio. Entretanto, não há garantias de que não ocorrerão interferências em uma determinada instalação. Se este equipamento causar interferência prejudicial à recepção de rádio ou televisão, o que pode ser determinado ao desligar e ligar o equipamento, o usuário deve tentar corrigir a interferência tomando uma das seguintes medidas:

- Reorientar ou mudar de lugar a antena receptora.
- Aumentar a distância entre o equipamento e o receptor.
- Conectar o equipamento a uma tomada de um circuito diferente do circuito da tomada onde o receptor está conectado.
- Consultar o fabricante do equipamento ou um técnico de rádio/televisão experiente.



**United States, Canada, Latin  
America, Caribbean:**

Shure Incorporated  
5800 West Touhy Avenue  
Niles, IL 60714-4608 USA

Phone: 847-600-2000  
Fax: 847-600-1212 (USA)  
Fax: 847-600-6446  
Email: [info@shure.com](mailto:info@shure.com)

**Europe, Middle East, Africa:**

Shure Europe GmbH  
Jakob-Dieffenbacher-Str. 12,  
75031 Eppingen, Germany

Phone: 49-7262-92490  
Fax: 49-7262-9249114  
Email: [info@shure.de](mailto:info@shure.de)

**Asia, Pacific:**

Shure Asia Limited  
22/F, 625 King's Road  
North Point, Island East  
Hong Kong

Phone: 852-2893-4290  
Fax: 852-2893-4055  
Email: [info@shure.com.hk](mailto:info@shure.com.hk)

[www.shure.com](http://www.shure.com)

©2011 Shure Incorporated

## Free Manuals Download Website

<http://myh66.com>

<http://usermanuals.us>

<http://www.somanuals.com>

<http://www.4manuals.cc>

<http://www.manual-lib.com>

<http://www.404manual.com>

<http://www.luxmanual.com>

<http://aubethermostatmanual.com>

Golf course search by state

<http://golfingnear.com>

Email search by domain

<http://emailbydomain.com>

Auto manuals search

<http://auto.somanuals.com>

TV manuals search

<http://tv.somanuals.com>