

# SYSTEM 8/10 Plus PROJECTOR COMMUNICATIONS KIT

## ATTENTION!

### PLEASE READ THIS DOCUMENT FOR IMPORTANT INSTALLATION INSTRUCTIONS

THIS KIT HAS BEEN SHIPPED WITH THE FOLLOWING COMPONENTS:

## Kit Type: SHARP

### Included Communications Adapter(s):

Quantity	Part Number	Description
1	26-426-01	ADP, SHARP IR
1	26-467-01	ADP, UNV, "A"

THE TABLE BELOW LISTS THE POSSIBLE CONFIGURATION(S) AND CORRESPONDING COMMUNICATIONS ADAPTER(S) FOR YOUR PROJECTOR MANUFACTURER'S VARIOUS MODELS. **PLEASE NOTE THAT YOUR SWITCHER HAS BEEN CONFIGURED AS INDICATED BY THE "✓" IN THE "Config as" COLUMN.** IF YOUR PROJECTOR MODEL DIFFERS FROM THIS CONFIGURATION, YOU **MUST** RECONFIGURE YOUR SWITCHER WITH THE CORRECT SETTINGS.

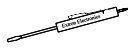
PLEASE REFER TO THE FOLLOWING PAGES FOR COMPLETE CONFIGURATION AND SIGNAL CONNECTION INSTRUCTIONS.

**THIS SWITCHER HAS BEEN CONFIGURED FOR: SHARP XG (RS-232)**

Config as	Model	Rotary Switches				Cable J2/J3	SW15 Settings										Comm Adapter
		RS1	RS2	RS3	RS4		1	2	3	4	5	6	7	8	9	10	
✓	XG (RS-232)	0	0	F	9	J2	↓	↓	↑	↓	↑	↓	↓	↓	↑	↓	26-467-01
	XG-E1200U	1	0	F	3	J2	↑	↓	↑	↓	↑	↓	↓	↓	↑	↓	26-426-01
	XG-1000/E1100	0	0	F	3	J2	↑	↓	↑	↓	↑	↓	↓	↓	↑	↓	26-426-01
	XG-NV6/NV2U/NV5	2	0	F	9	J2	↑	↓	↑	↓	↑	↓	↓	↓	↑	↓	26-467-01
	XG-NV3	1	0	F	9	J2	↑	↓	↑	↓	↑	↓	↓	↓	↑	↓	26-467-01
	XG-P10XU	2	0	F	9	J2	↑	↓	↑	↓	↑	↓	↓	↓	↑	↓	26-467-01
	PG-C30XU	2	0	F	9	J2	↑	↓	↑	↓	↑	↓	↓	↓	↑	↓	26-467-01
	XG-P20XU	1	0	F	9	J2	↑	↓	↑	↓	↑	↓	↓	↓	↑	↓	26-467-01

## Sharp XG Series Projector Configuration (RS-232)

Verify that the System 8/10 Plus is already configured for the Sharp XG Series projector by following the procedure and switch settings below. The general setup is explained on page 3-4 of your System 8/10 Plus User's Manual.



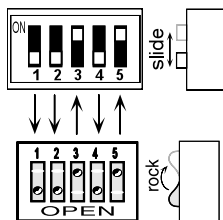
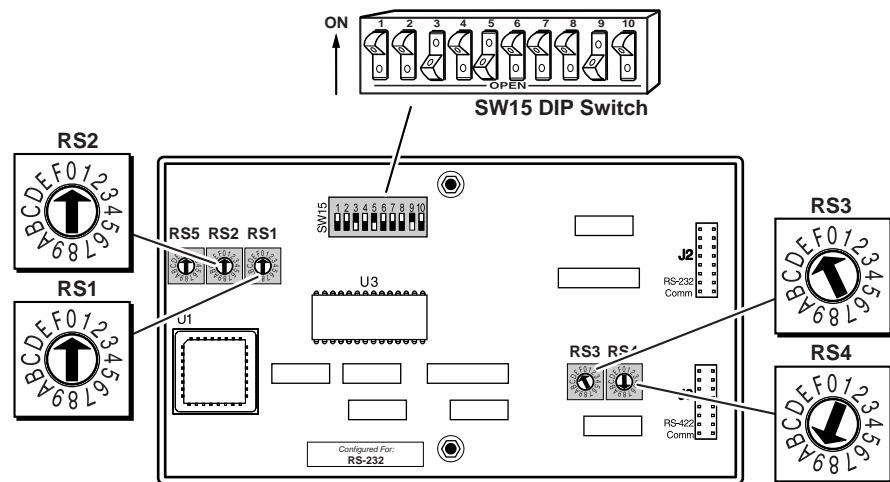
1. Use a small screwdriver to remove the access cover from the System 8/10 Plus front panel. Refer to page 3-3 of the User's Manual.



Before changing anything, remove the AC power cord to the System 8/10 Plus and also turn the projector's power OFF.

2. Set the System 8/10 Plus switches as follows:

Config as	Model	Rotary Switches				Cable J2/J3	SW15 Settings										Comm Adapter
		RS1	RS2	RS3	RS4		1	2	3	4	5	6	7	8	9	10	
	Sharp XG (RS-232)	0	0	F	9	J2	↓	↓	↑	↓	↑	↓	↓	↓	↑	↓	26-467-01



3. Locate the switcher's Address DIP switches on the rear panel, lower right. Unless this is part of a master/slave system, set #3 and #5 to the up position and the others in the down position. See illustration on the left.
4. Use the illustration on the following page and continue with the steps below.
5. Connect the BNC cables from the System 8/10 Plus outputs to the projector inputs according to the application requirements (RGBS, S-Video or Composite Video).



The projector's RGB BNC input will not accept rates lower than VGA or higher than XGA. Please refer to your projector user manual.



Some Sharp projectors will only select S-Video when connected to an S-Video source. You should not input S-Video and Composite Video sources simultaneously on these models. Consult your Sharp manual to determine if your model supports CVID and SVID simultaneously.



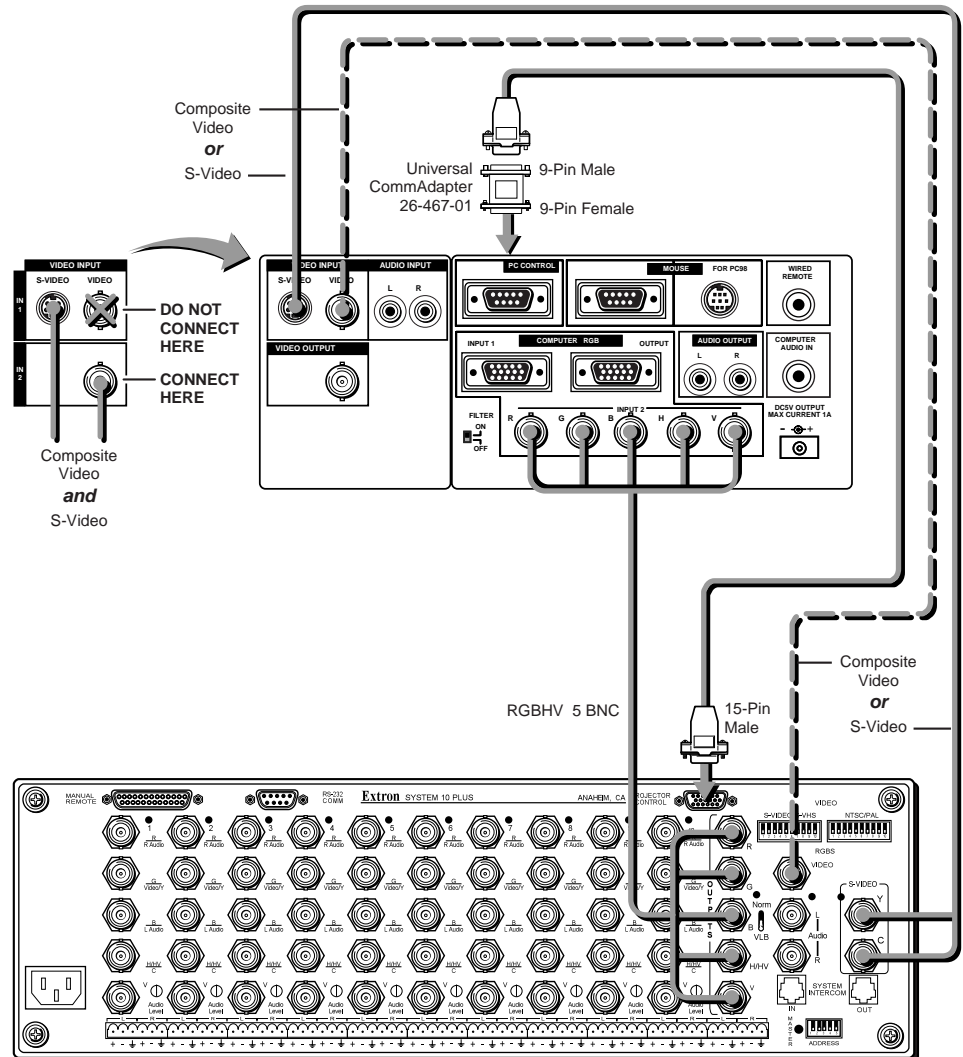
6. Apply Main Power to the System 8/10 Plus by connecting the power cord. The Main Power LED should light. Apply power to the projector.
7. Installation is now completed.

System 8/10 Plus to Sharp XG Series Projector Connections (RS-232)

Use the illustration below as a guide when connecting the System 8/10 Plus to a Sharp projector. Refer to Sharp documentation to continue the installation.



*Important note! For Sharp projectors which **do not** allow simultaneous connections to S-Video and Composite Video (see last note on previous page), please refer to the following diagram where either S-Video **or** Composite Video may be connected, but **not both** at the same time. For those Sharp projectors which will allow you to connect to S-Video **and** Composite Video sources simultaneously - please refer to the inset diagram below.*



When RS-232 control of the projector is used, the projector's IR remote can be used. However, because the projector's IR remote does not communicate with the System 8/10 Plus switcher, the projector and switcher can become out-of-sync if the projector's IR remote is used to change the projector's input, picture mute or power settings. Should this occur, press the power, mute or channel buttons on the switcher to allow the projector and switcher to resynchronize.



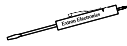
If the installation includes looping (master/slave) switchers, see Chapter 5 of the System 8/10 Plus User's Manual.



If Video Loop Back is part of the installation, refer to pages 2-10 and 2-11.

## Sharp XG-1000/E1100 Projector Configuration

Verify that the System 8/10 PLUS is already configured for the Sharp projector. The general setup is explained on page 3-4 and the switch settings for the Sharp projector are repeated below.



1. Use a small screwdriver to remove the access cover from the System 8/10 PLUS front panel. See bottom of page 3-3. The label on the back of the access cover also has the configuration information.

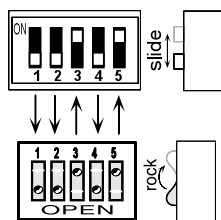
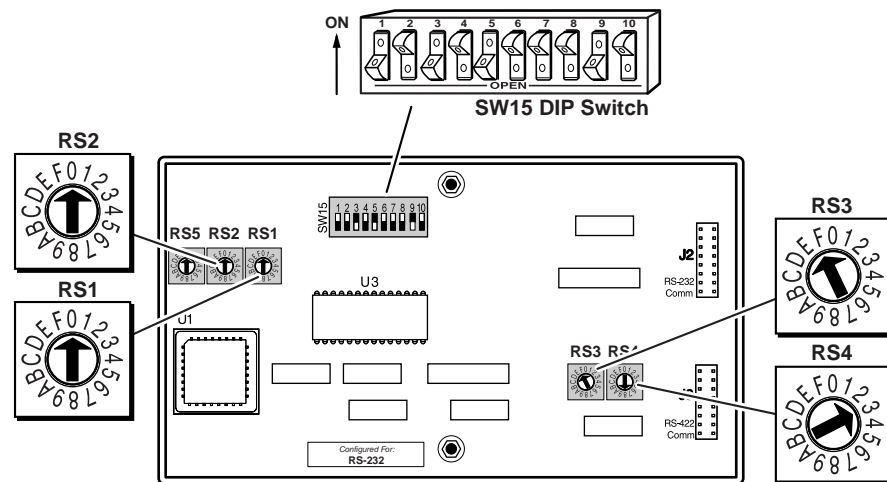


Before changing anything, remove the AC power cord to the System 8/10 PLUS to verify that the main power is OFF; also turn the projector power OFF.

2. Set the switches as follows:

Config as	Model	Rotary Switches				Cable	SW15 Settings										Comm Adapter
		RS1	RS2	RS3	RS4		1	2	3	4	5	6	7	8	9	10	
	Sharp XG	0	0	F	3	J2	↑	↓	↑	↓	↑	↓	↓	↓	↑	↓	26-426-01

RS5 is for RGB switching delay. See page 3-4 for more information.



3. Use a grease pencil (or other rub-off marker) to mark the space on the label next to "Sharp XG".
4. Locate the switcher's Address DIP switches on the rear panel, lower right. Unless this is part of a master/slave system, set #3 and #5 to the up position and the others down. See picture to the left.

Use the illustration on the next page to do the following steps.

5. Connect the Comm Adapter's miniphone connector to the "Wired Remote" input jack and the power plug to the Aux power port on the rear panel of the projector.
6. Connect the CC-50' (or CC-100') cable from the 9-pin male connector of the Comm Adapter to the 15-pin HD "Projector Control" port located on the rear panel of the System 8/10 PLUS. (If you wish to make your own communications cable, see page 3-2.)



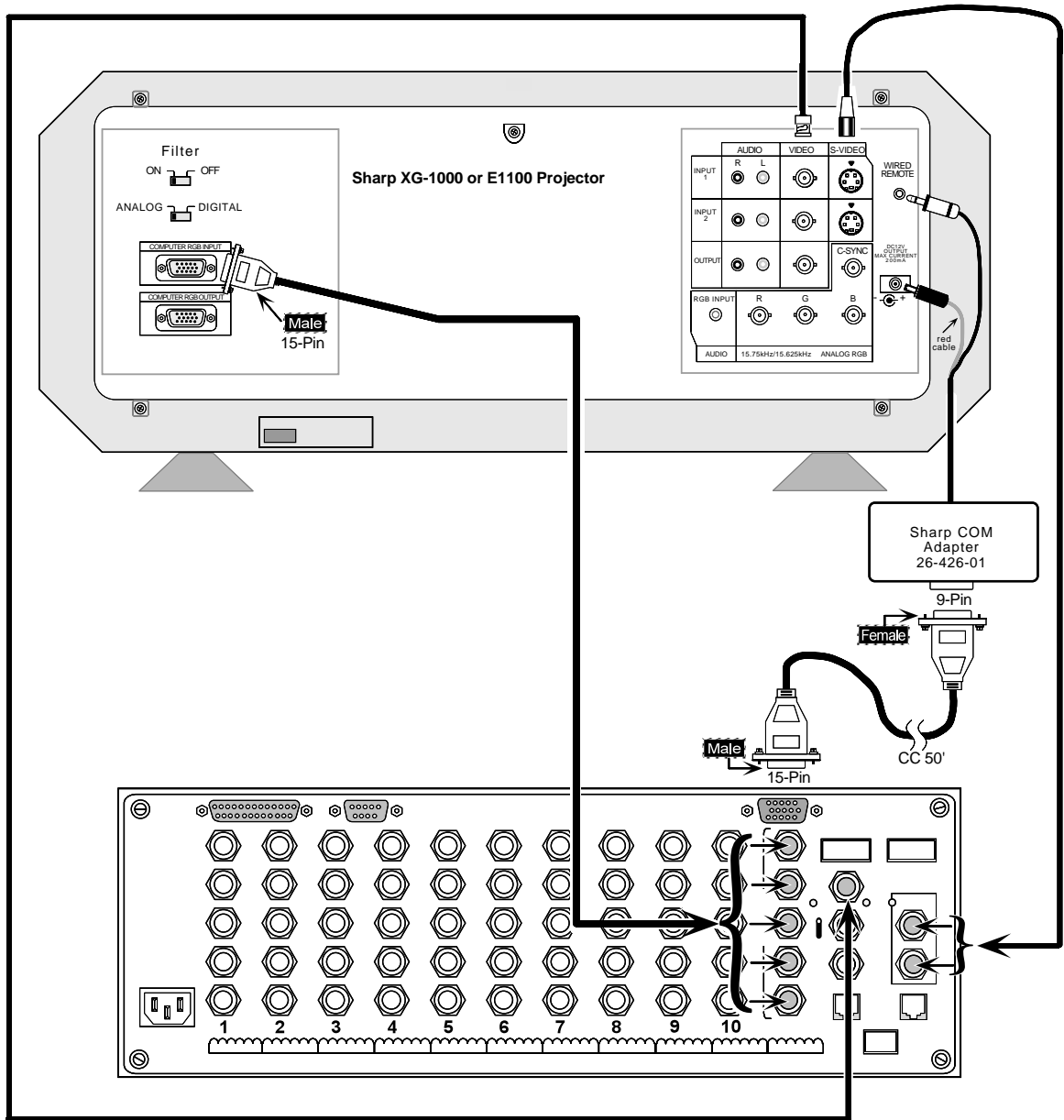
Secure the screws on all D connectors.



7. Connect the BNC cables from the System 8/10 PLUS outputs to the Sharp projector inputs according to the application requirements.
8. Apply Main Power to the System 8/10 PLUS by connecting the power cord. The Main Power LED should light. Apply power to the projector.
9. Return System 8/10 PLUS and projector to normal operation.

### Sharp XG-1000/E1100 Projector Connections

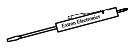
Use the illustration below when connecting the System 8/10 Plus to a Sharp XG-1000/E1100 projector. Refer to Sharp documentation to continue the installation.



If the installation includes looping (master/slave) switchers, see Chapter 5.  
 If Video Loop Back is part of the installation, see pages 2-10 and 2-11.

## Sharp XG-E1200U LCD Projector Configuration

Verify that the System 8/10 Plus is already configured for the Sharp XG-E1200U projector by following the procedure and switch settings below. The general setup is explained on page 3-4 of your System 8/10 Plus User's Manual.



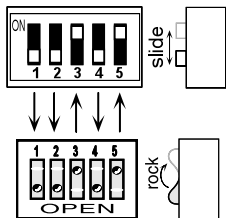
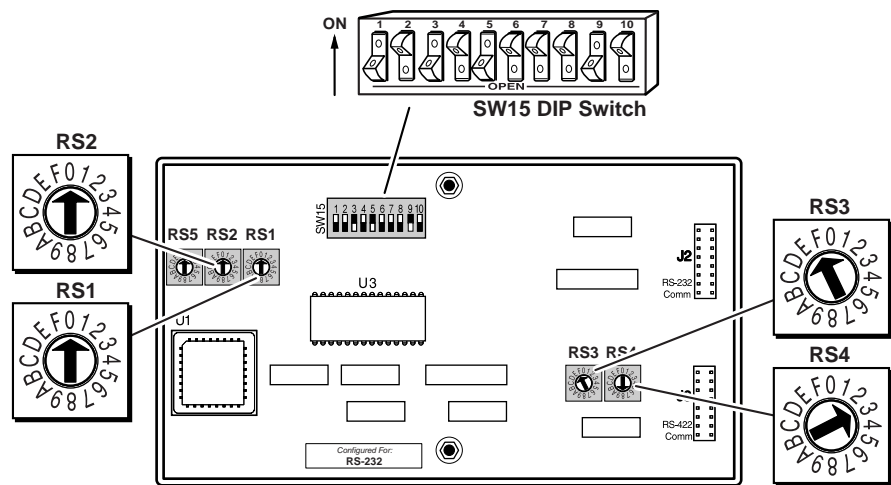
1. Use a small screwdriver to remove the access cover from the System 8/10 Plus front panel. Refer to page 3-3 of the User's Manual.



Before changing anything, remove the AC power cord to the System 8/10 Plus and also turn the projector's power OFF.

2. Set the System 8/10 Plus switches as follows:

Config as	Model	Rotary Switches				Cable J2/J3	SW15 Settings										Comm Adapter
		RS1	RS2	RS3	RS4		1	2	3	4	5	6	7	8	9	10	
	Sharp XG-E1200U	0	0	F	3	J2	↑	↓	↑	↓	↑	↓	↓	↓	↑	↓	26-426-01



3. Locate the switcher's Address DIP switches on the rear panel, lower right. Unless this is part of a master/slave system, set #3 and #5 to the up position and the others in the down position. See illustration on the left.

4. Use the illustration on the following page and continue with the steps below.

5. Connect the BNC cables from the System 8/10 Plus outputs to the projector inputs according to the application requirements (RGBS, S-Video or Composite Video).



The projector's RGB BNC input will not accept rates lower than VGA or higher than XGA. Please refer to your projector user manual.



Because the projector's video port will only select S-Video when connected to an S-Video source, you should not input S-Video and Composite Video sources simultaneously since Composite Video will be ignored.

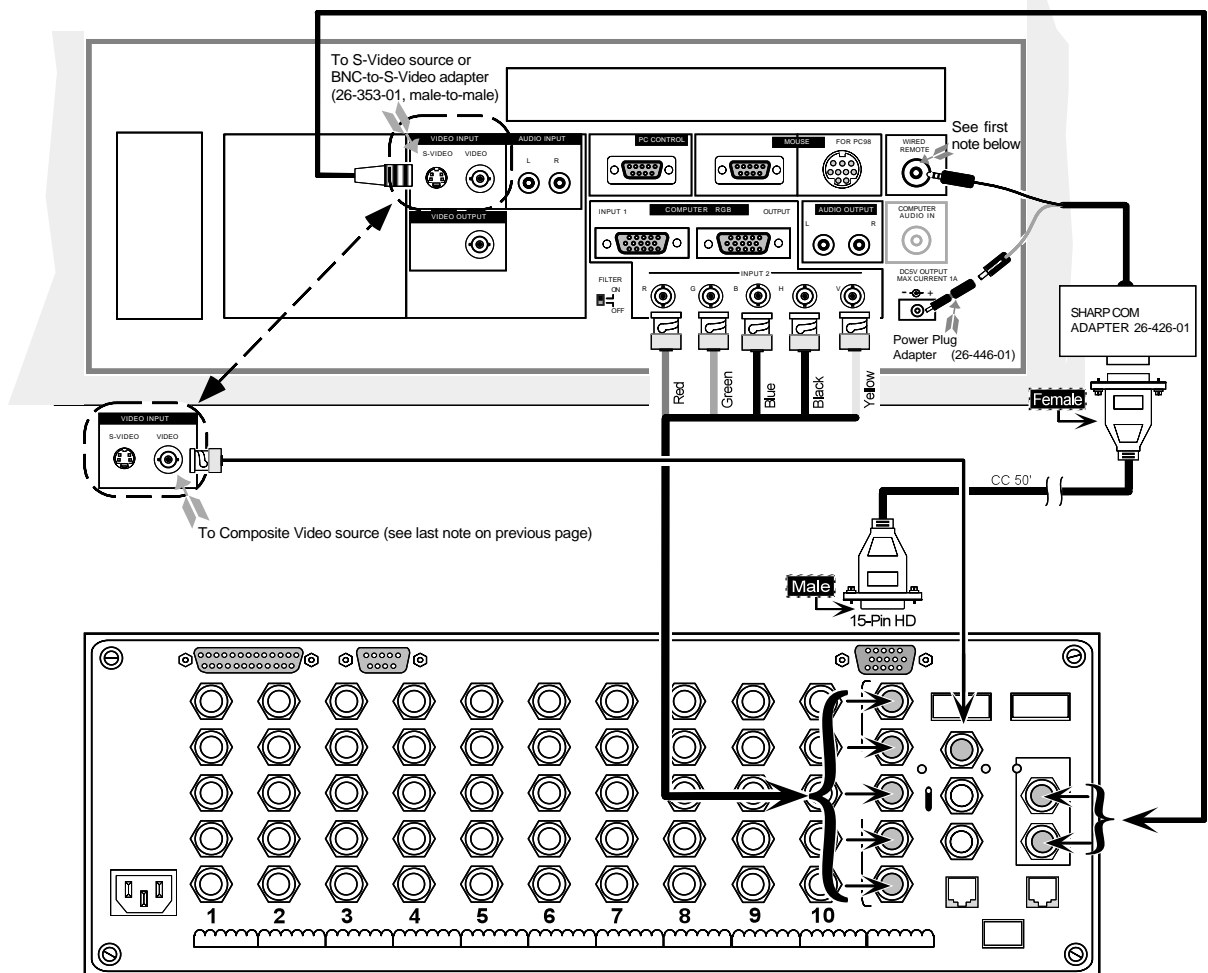


6. Apply Main Power to the System 8/10 Plus by connecting the power cord. The Main Power LED should light. Apply power to the projector.

7. Installation is now completed.

**System 8/10 Plus - Sharp XG-E1200U LCD Projector Cable Diagram**

Use the illustration below as a guide when connecting the System 8/10 Plus to a Sharp XG-E1200U projector. Refer to Sharp documentation to continue the installation.



When the Wired Remote jack is installed, the projector's IR Receivers are disabled. This jack can be installed or removed at any time. Please perform the basic projector setup before installing the Wired Remote jack.



If the installation includes looping (master/slave) switchers, see Chapter 5 of the System 8/10 Plus User's Manual.



If Video Loop Back is part of the installation, refer to pages 2-10 and 2-11.

**Configuring the Projector**

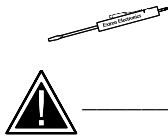
Please refer to your Sharp XG-E1200U Operations Manual to set up your projector. Also, in order for the System 8/10 Plus to know whether the projector is "ON" or "OFF", the projector's 5VDC output jack must be set to "LAMP".

1. Select **MENU**.
2. Select **SYSTEM SETUP**.
3. Select **DC 5V OUTPUT**.
4. Using the ◀ ▶ buttons on the rear of the Sharp XG-E1200U, select **LAMP**.



## Sharp NV6 Projector Configuration

Verify that the System 8/10 Plus is already configured for the Sharp NV6 projector by following the procedure and switch settings below. The general setup is explained on page 3-4 of your System 8/10 Plus User's Manual.

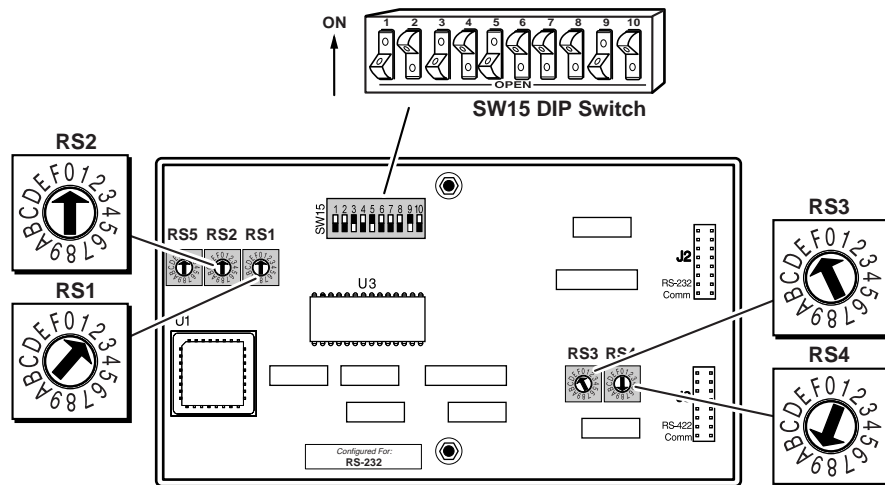


1. Use a small screwdriver to remove the access cover from the System 8/10 Plus front panel. Refer to page 3-3 of the User's Manual.

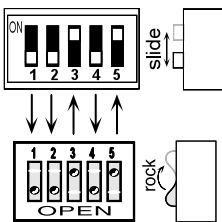
Before changing anything, remove the AC power cord to the System 8/10 Plus and also turn the projector's power OFF.

2. Set the System 8/10 Plus switches as follows:

Config as	Model	Rotary Switches				Cable	SW15 Settings										Comm Adapter
		RS1	RS2	RS3	RS4		J2/J3	1	2	3	4	5	6	7	8	9	
	Sharp NV6	2	0	F	9	J2	↑	↓	↑	↓	↑	↓	↓	↓	↑	↓	26-467-01



3. Locate the switcher's Address DIP switches on the rear panel, lower right. Unless this is part of a master/slave system, set #3 and #5 to the up position and the others in the down position. See illustration on the left.



4. Use the illustration on the following page and continue with the steps below.
5. Connect the video cables from the System 8/10 Plus outputs to the projector inputs according to the application requirements (RGBS, S-Video or Composite Video).



The projector's RGB BNC input will not accept rates lower than VGA or higher than XGA. Please refer to your projector user manual.



Because the projector's video port will only select S-Video when connected to an S-Video source, you should not input S-Video and Composite Video sources simultaneously since Composite Video will be ignored.

6. Apply Main Power to the System 8/10 Plus by connecting the power cord. The Main Power LED should light. Apply power to the projector.



7. Installation is now completed.



System 8/10 Plus - Sharp NV6 Projector Connections

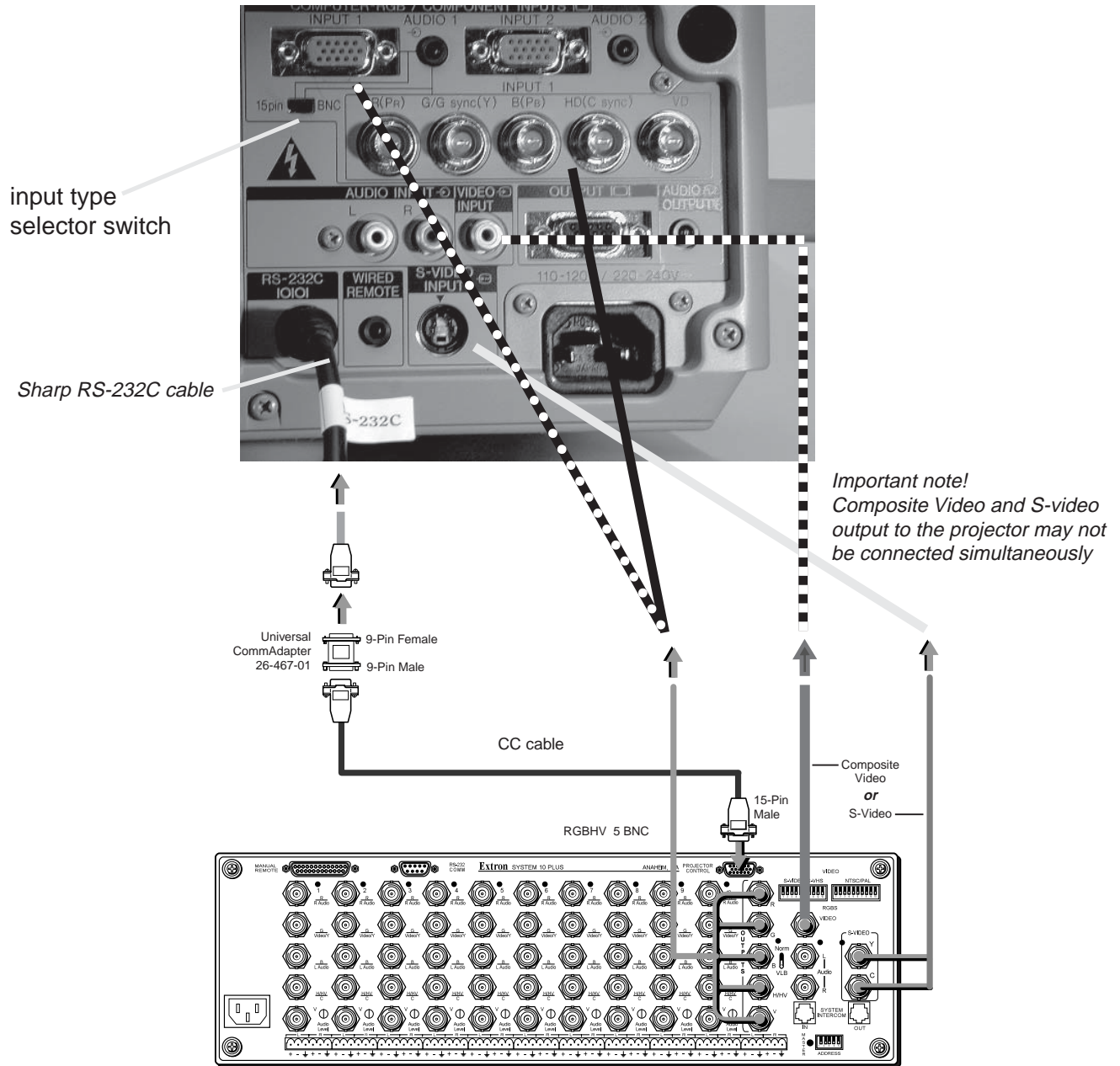
Use the illustration below as a guide when connecting the System 8/10 Plus to a Sharp NV6 projector. Refer to Sharp documentation to continue the installation.



*Important note!* When connecting the Switcher's BNC output to either the projector's BNC or 15-pin input (but not both simultaneously), set the projector's **input type** selector switch to the appropriate "BNC" or "15-pin" setting.



The Sharp NV6 projector **does not** allow simultaneous connections to S-Video and Composite Video (see last note on previous page), please refer to the following diagram where either S-Video **or** Composite Video may be connected, but **not both** at the same time.



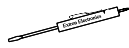
If the installation includes looping (master/slave) switchers, see Chapter 5 of the System 8/10 Plus User's Manual.



If Video Loop Back is part of the installation, refer to pages 2-10 and 2-11.

## Sharp NV3 Projector Configuration

Verify that the System 8/10 Plus is already configured for the Sharp NV3 projector by following the procedure and switch settings below. The general setup is explained on page 3-4 of your System 8/10 Plus User's Manual.



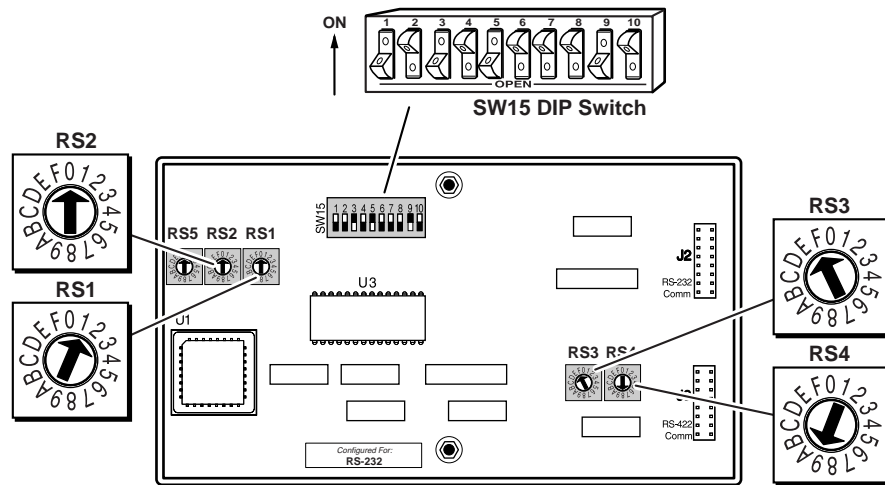
1. Use a small screwdriver to remove the access cover from the System 8/10 Plus front panel. Refer to page 3-3 of the User's Manual.



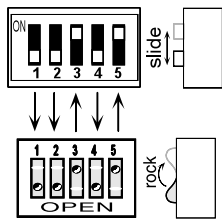
Before changing anything, remove the AC power cord to the System 8/10 Plus and also turn the projector's power OFF.

2. Set the System 8/10 Plus switches as follows:

Config as	Model	Rotary Switches				Cable J2/J3	SW15 Settings										Comm Adapter
		RS1	RS2	RS3	RS4		1	2	3	4	5	6	7	8	9	10	
	Sharp NV3	1	0	F	9	J2	↑	↓	↑	↓	↑	↓	↓	↓	↑	↓	26-467-01



3. Locate the switcher's Address DIP switches on the rear panel, lower right. Unless this is part of a master/slave system, set #3 and #5 to the up position and the others in the down position. See illustration on the left.



4. Use the illustration on the following page and continue with the steps below.
5. Connect the video cables from the System 8/10 Plus outputs to the projector inputs according to the application requirements (RGBS, S-Video or Composite Video). One end of the Universal Comm adapter plugs into the **IOIOI** port of the Sharp PC Control adapter. The Sharp PC Control adapter plugs into the projector's PC Control port 1.



The projector's RGB BNC input will not accept rates lower than VGA or higher than XGA. Please refer to your projector user manual.



Because the projector's video port will only select S-Video when connected to an S-Video source, you should not input S-Video and Composite Video sources simultaneously since Composite Video will be ignored.



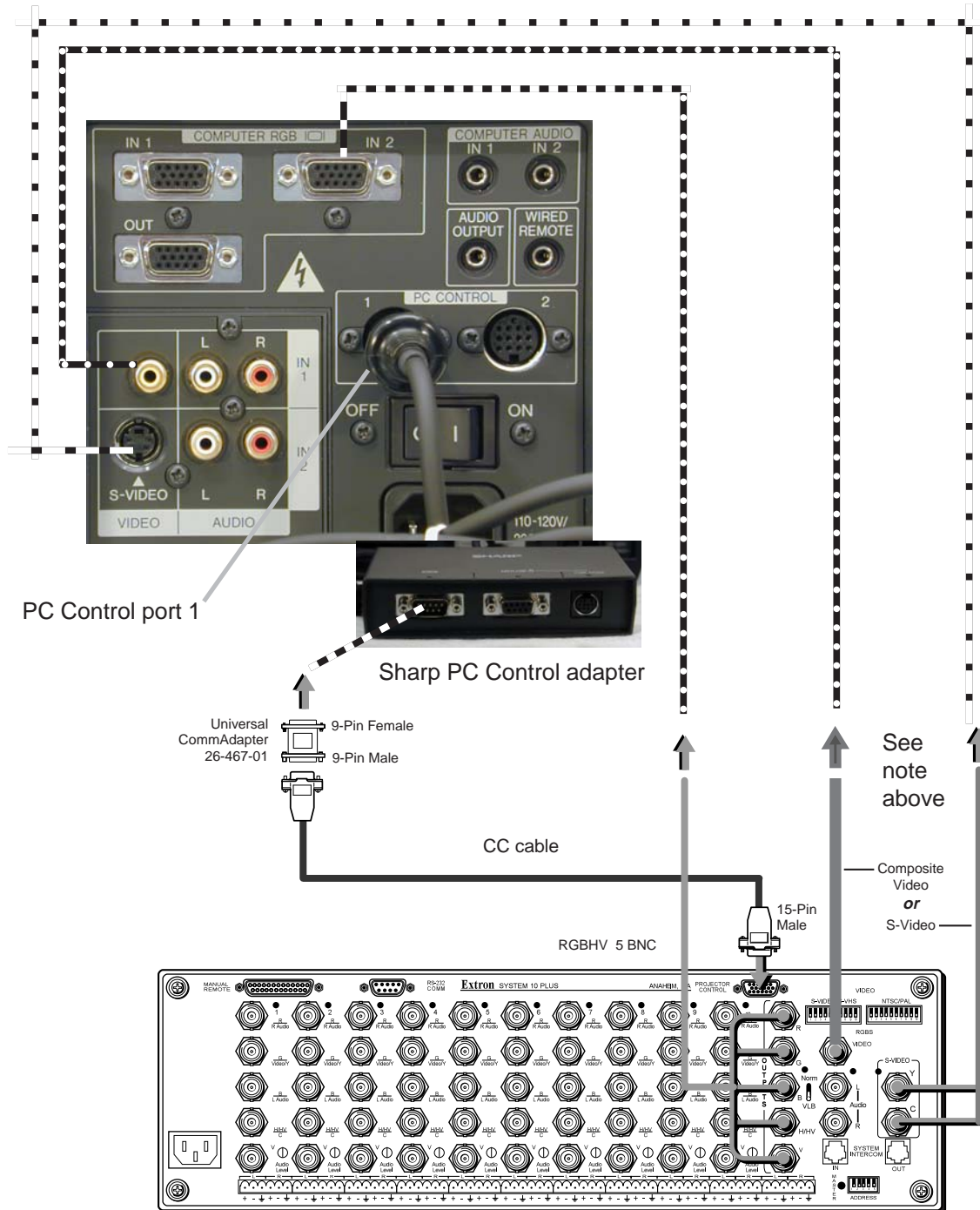
6. Apply Main Power to the System 8/10 Plus by connecting the power cord. The Main Power LED should light. Apply power to the projector.
7. Installation is now completed.

System 8/10 Plus - Sharp NV3 Projector Connections

Use the illustration below as a guide when connecting the System 8/10 Plus to a Sharp NV3 projector. Refer to Sharp documentation to continue the installation.



The Sharp NV3 projector **does not** allow simultaneous connections to S-Video and Composite Video (see last note on previous page), please refer to the following diagram where either S-Video **or** Composite Video may be connected, but **not both** at the same time.



If the installation includes looping (master/slave) switchers, see Chapter 5 of the System 8/10 Plus User's Manual.



If Video Loop Back is part of the installation, refer to pages 2-10 and 2-11.

## Free Manuals Download Website

<http://myh66.com>

<http://usermanuals.us>

<http://www.somanuals.com>

<http://www.4manuals.cc>

<http://www.manual-lib.com>

<http://www.404manual.com>

<http://www.luxmanual.com>

<http://aubethermostatmanual.com>

Golf course search by state

<http://golfingnear.com>

Email search by domain

<http://emailbydomain.com>

Auto manuals search

<http://auto.somanuals.com>

TV manuals search

<http://tv.somanuals.com>