

# SHARP®

## INSTALLATION INSTRUCTIONS

### For Sharp Carousel® Built-in Kit Models RK-46S24, RK-46K24 or RK-46W24.

THIS KIT IS UL APPROVED TO ALLOW CERTAIN MICROWAVE OVENS TO BE INSTALLED ABOVE CERTAIN CONVENTIONAL/CONVECTION WALL OVENS. PLEASE SEE THE OPERATION MANUAL REGARDING APPROVED BUILT-IN APPLICATIONS.

#### IMPORTANT :

This Built-in Kit is designed for and approved only for those Sharp Microwave Ovens specifying Built-In Kit RK-46S24, RK-46K24 or RK-46W24 on the rating label on the left side wall of the oven cavity.

The cabinet or wall opening must be within the following dimensions:

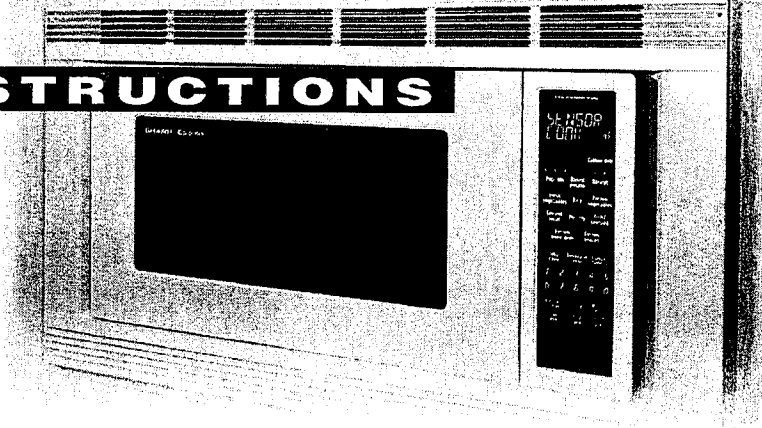
<b>HEIGHT</b>	: 15 11/16" to 16"
<b>WIDTH</b>	: 22 1/16" to 22 3/8"
<b>DEPTH</b>	: minimum 20 3/8"

\* IF YOUR LOWER CONVENTIONAL OVEN IS NOT LISTED IN THE OPERATION MANUAL OF THE MICROWAVE OVEN AS AN APPROVED MAKE AND MODEL, THEN DO NOT INSTALL THE MICROWAVE OVEN ABOVE IT OR IN ANY AREA WHERE HEAT AND STEAM ARE GENERATED; FOR EXAMPLE, NEXT TO OR ABOVE A CONVENTIONAL RANGE.

S= Stainless, K=Black, W=White

PLEASE READ THESE INSTRUCTIONS THOROUGHLY BEFORE BEGINNING INSTALLATION!

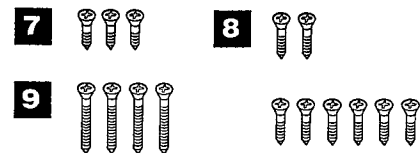
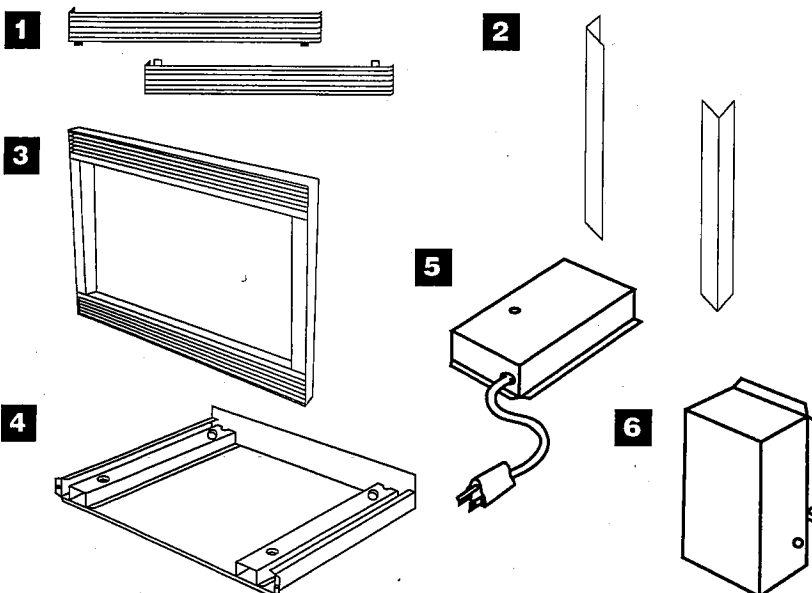
- Be sure to DISCONNECT THE PLUG of the microwave oven from the electrical outlet before installing the Built-in Kit. Remove the Carousel turntable from the oven cavity.
- Because the kit includes metal parts, due caution should be used in handling and installation to avoid the possibility of injury.



NO.	PART NAME PART CODE	QTY
1*	LOUVER	2
	K24 - PDIF-A007WRF0	
	W24 - PDIF-A008WRF0	
2*	SASH	2
	K24 - HDECQA153WRF0	
	W24 - HDECQA154WRF0	
3**	FRAME ASSEMBLY	1
	S24 - FDECAB015MRY0	
4	EXHAUST DUCT ASSEMBLY	1
	S24 - FDUC-B045MRK0	
	K24 - FDUC-B045MRK0	
	W24 - FDUC-B045MRK0	
5	POWER SUPPLY CORD	1
	S24 - FCOVHB004MRK0	
	K24 - FCOVHB004MRK0	
	W24 - FCOVHB004MRK0	
6	REAR DUCT	1
	S24 - PDUC-B072MRP0	
	K24 - PDUC-B072MRP0	
	W24 - PDUC-B072MRP0	
7	SCREW A	3
	S24 - XCTSD40P1000	
	K24 - XCTSD40P1000	
	W24 - XCTSD40P1000	
8	SCREW B	2
	S24 - XTTSD40P3000	
	K24 - XTTSD40P3000	
	W24 - XTTSD40P3000	
9	SCREW C	4
	S24 - LX-CZB012MRE0	

\* for louver & sash installation only

\*\* for frame installation only



## STEP 1 CABINET OR WALL OPENING

The opening in the wall or cabinet must be within the following dimensions:

**HEIGHT :** 15 11/16" to 16"

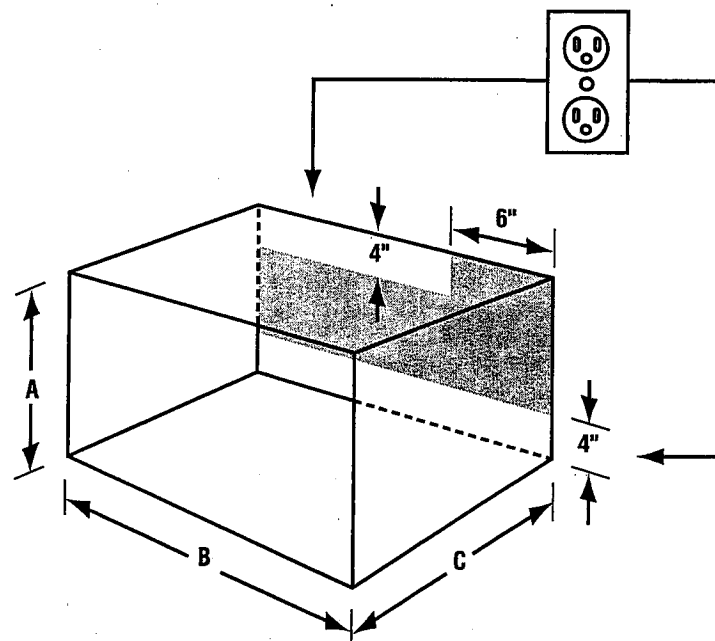
**WIDTH :** 22 1/16" to 22 3/8"

**DEPTH :** minimum 20 3/8"

Outlet should NOT be in the shaded area as indicated on Sketch 1.

**NOTE 1:** If the dimension of DEPTH (C) is more than 21", the outlet location may be any area on the rear wall.

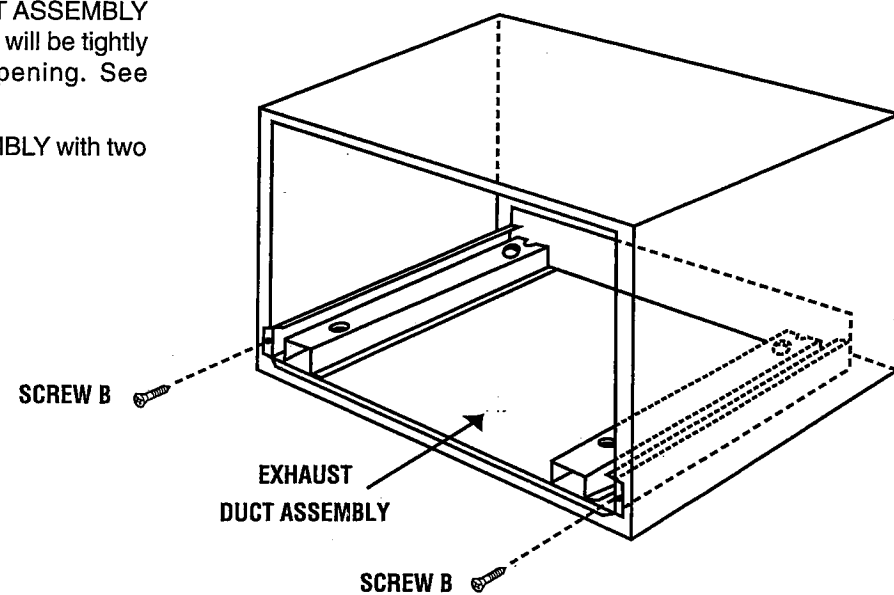
**NOTE 2:** The floor of the opening should be constructed of plywood strong enough to support the weight of the oven and floor load (about 100 pounds). The floor should be level for proper operation of the oven. Be sure to check the local building code as it may require that the opening be enclosed with sides, ceiling and rear partition. The proper functioning of the oven does not require the enclosure.



Sketch 1

## STEP 2 EXHAUST DUCT ASSEMBLY INSTALLATION

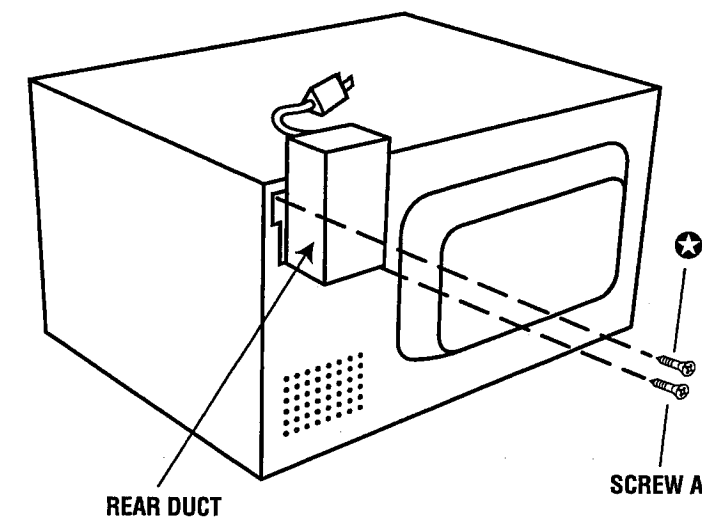
1. Place the EXHAUST DUCT ASSEMBLY in the opening. When the EXHAUST DUCT ASSEMBLY is in the opening correctly, its flanges will be tightly against the lower edge of the opening. See Sketch 2.
2. Secure the EXHAUST DUCT ASSEMBLY with two SCREWS B. See Sketch 2.



Sketch 2

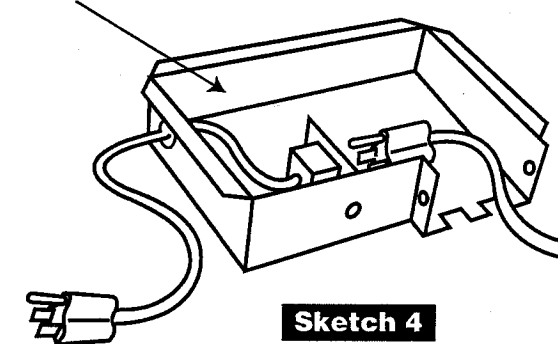
## STEP 3 POWER SUPPLY CORD BOX ASSEMBLY AND REAR DUCT INSTALLATION

1. Roll the power supply cord into the REAR DUCT.
2. Remove the screw from left top of outer cabinet. Secure the left flange of the REAR DUCT with the screw removed from the oven and secure the right flange of the REAR DUCT with SCREW A. See Sketch 3.
3. Plug the oven power supply cord into the POWER SUPPLY CORD BOX ASSEMBLY receptacle. See Sketch 4.
4. Slide the POWER SUPPLY CORD BOX ASSEMBLY into the REAR DUCT and secure the POWER SUPPLY CORD BOX ASSEMBLY and REAR DUCT with two SCREWS A. See Sketch 5.

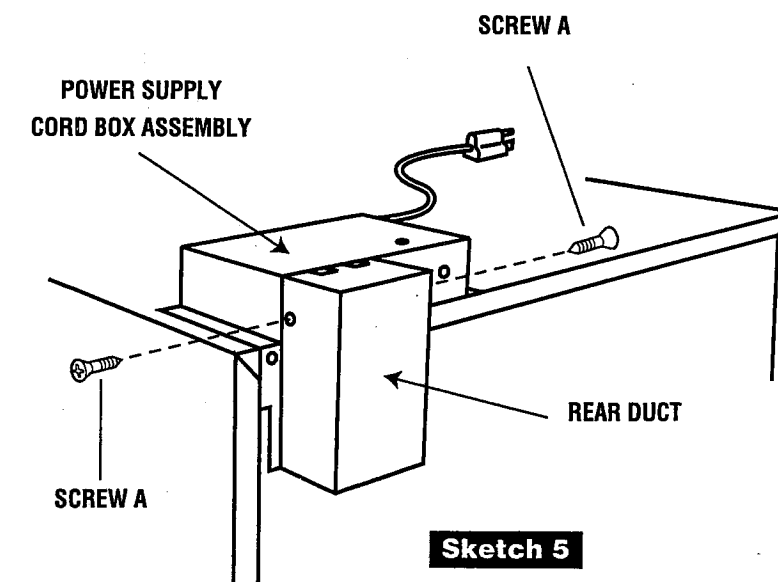


Sketch 3

POWER SUPPLY  
CORD BOX ASSEMBLY



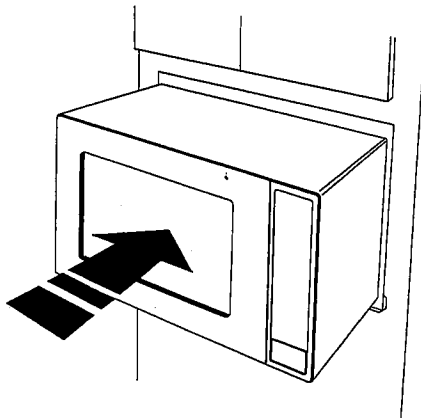
Sketch 4



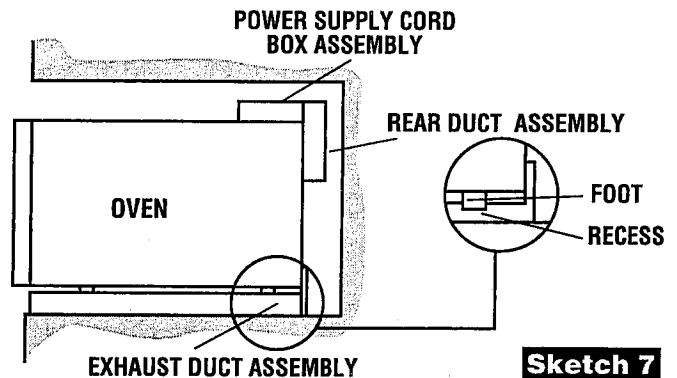
Sketch 5

## STEP 4 | FRAME INSTALLATION | LOUVER & SASH INSTALLATION

1. Place the oven adjacent to the wall or cabinet opening. Plug the POWER SUPPLY CORD BOX ASSEMBLY cord into the electrical outlet.
2. Carefully guide the assembled oven into the prepared opening. Slide the oven on the EXHAUST DUCT ASSEMBLY. See Sketch 6. Avoid pinching the cord between the oven and the wall. Adjust the position of the oven so that the feet of the oven are fitted into the recesses of the EXHAUST DUCT ASSEMBLY. See Sketch 7.



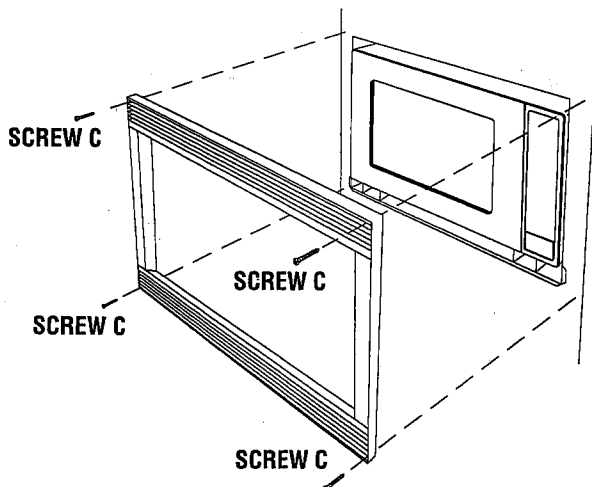
Sketch 6



Sketch 7

### FRAME INSTALLATION

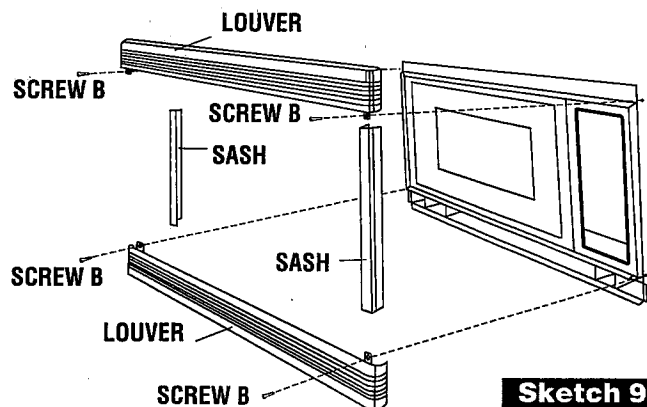
3. Position the FRAME ASSEMBLY to be square with the oven. Carefully place the FRAME ASSEMBLY on the oven. Check that it is level and then secure with two SCREWS C. See Sketch 8.
4. Secure the bottom portion of the FRAME ASSEMBLY with the two remaining SCREWS C. See Sketch 8.



Sketch 8

### LOUVER & SASH INSTALLATION

3. Position the top LOUVER on the upper side of the oven so that it is level both horizontally and vertically. Secure with two SCREWS B provided in the kit. See Sketch 9.
4. Position the bottom LOUVER measuring the interval between the upper and lower LOUVERS with the SASH. Secure it with two SCREWS B provided in the kit. See Sketch 9.
5. Snap left and right SASHES into place. See Sketch 9.



Sketch 9

# SHARP®

SHARP ELECTRONICS CORPORATION  
Sharp Plaza, Mahwah, New Jersey 07430-2135

For any other assistance or information about this kit, please call  
Sharp's Customer Assistance Center at  
**1-800-BE-SHARP (1-800-237-4277)**

TINSEB325MRR0  
Printed in U.S.A.

## Free Manuals Download Website

<http://myh66.com>

<http://usermanuals.us>

<http://www.somanuals.com>

<http://www.4manuals.cc>

<http://www.manual-lib.com>

<http://www.404manual.com>

<http://www.luxmanual.com>

<http://aubethermostatmanual.com>

Golf course search by state

<http://golfingnear.com>

Email search by domain

<http://emailbydomain.com>

Auto manuals search

<http://auto.somanuals.com>

TV manuals search

<http://tv.somanuals.com>