

SHARP SERVICE MANUAL

CODE: 00ZER2395SMBE



The photo shows Model ER-2395.

SECTION 1 PROGRAMMING MANUAL

ELECTRONIC CASH REGISTER

ER-2385 MODEL ER-2395

- OPTIONS: ER-11KT2 (For ER-2385)
 ER-20BT (Except for U.S.A., Canada)
 ER-35CC (For 5B/5C)
 ER-35CC1 (For 4B/5C)
- PRINTER: CR-802A (ER-2385)
 CR-911D (ER-2395)
- SRV KEY: LKGIM7113RCZZ

CONTENTS

1. Internal Block Diagram	1
2. Special Service Tools	1
3. Reference Documents	1
4. Options	2
5. Specifications	2
6. SRV (Service) Mode Programming	8
7. Functional Outline of OP X/Z, X1, X2/Z2, PGM Modes, and Validation printing	13
Validation of Service Options	18
Index	

Internal Block Diagram

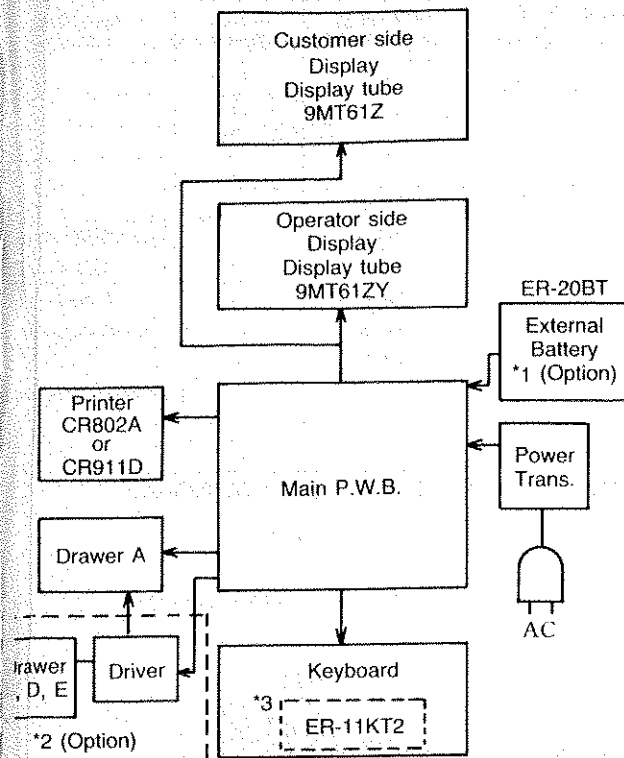


Fig. 1-1

- 1: Option for ER-2385/ER-2395 (Except for U.S.A., Canada)
 2: Option for ER-2395
 3: Option for ER-2385

Reference Documents

No.	Models	Manual code	Description	Contents
①	ER2385/ER2395	00ZER1920SMBE	Section 1 Programming manual Section 3 Parts guide	Specifications, SRV/PGM Programming, Option/Tools Install of svc. option, parts guide etc.
②	ER2385/ER2395	00ZER2395SMHE	Section 2 Hardware	Diagnostic function, Circuit description
③	ER2385/ER2395	00ZER2395CD1M	Circuit Diagram & PWB parts layout	Circuit Diagram and PWB parts layout
④	CR802/CR812A	00ZCR802ASM/M	Printer manual for ER2385	Specs., parts guide, Difference table of CR802/812 ←→ CR802A/812A or CR911A ←→ CR911D
	CR911D	00ZCR911DSM/M	Printer manual for ER2395	
⑤	CR802/812/CR911A	00ZCR802SM/E	Printer manual	Principle of function, Specs., parts guide etc.
⑥	All ECR	-	Cash register basic manual	Principle of cash register in hardwares
⑦	ER2385/ER2395	TINSE7009RCZZ	Instruction Manual (U.S.A.)	Specification, PGM programming, OPX/Z, REG, X1, X2/Z2 operations etc.
		TINSK7047RCZZ	Instruction Manual (except U.S.A)	

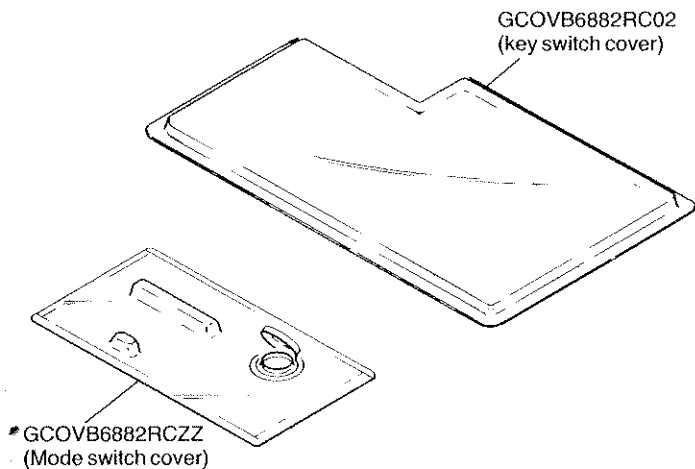
2. Special Service Tools

No.	Part code	Description	Price rank
1	UKOG-6634RCZZ	Key top remover	AX
2	UKOG-6635RCZZ	Key stem (switch) remover	AX
3	LKGIM7113RCZZ	Service key (SRV)	AK

4. Options

No.	Model Name or Part Code	Description	Applied Model		SRV setting (Job #)	Service Option	Applicable country
			ER2385	ER2395			
1	GCOVB6882RC02	Drip-proof key switch cover	○	○	-	○	
2	GCOVB6882RCZZ	Drip-proof mode switch cover	○	○	-	○	
3	DKIT-8356RCZZ	Kit for key cover Note*1	○	○	-	○	
4	DKIT-8324RCZZ	Drawer bell kit	○	○	-	○	
5	DKIT-8325RCZZ	Drawer open sensor μ SW kit*9	○	○	904-B	○	
6	DKIT-8323RCZZ	Remote drawer kit (without drawer)	-	○	904-B	○	U.S.A. Canada, South Africa
7	GBOXD6907RCZZ	Remote drawer (5B/5C)	-	○	904-B	○	U.S.A.
8	GBOXD6908RCZZ	Remote drawer (4B/5C)	-	○	904-B	○	Canada
9	GBOXD6909RCZZ	Remote drawer (4B/5C)	-	○	904-B	○	South africa (SH)
10	ER-11KT2	Dept. key kit (1 × 1 size) × 30 pcs.	○	-	903-B	-	
11	ER-20BT	External option battery	○	○	-	-	Except U.S.A. Canada
12	ER35CC	Coin case for 5B/5C	○	○	-	-	
13	ER35CC1	Coin case for 4B/5C	○	○	-	-	

Note: *1: The key cover kit contains a key switch cover (GCOVB6882RC02) and a mode switch cover (GCOVB6882RCZZ).



Rear side
Customer display

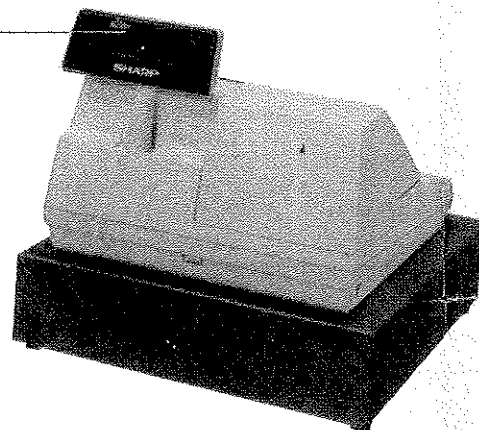


Fig. 5-2

The above photos show the ER-2395. The appearance of the ER-2385 is the same as that of the ER-2395 except for the keyboard (see the following pages.)

5. Specifications

5-1. Appearance



Fig. 5-1

5-2. Rating

Model	: ER-2385, ER-2395
External size	: 405(W) × 425(D) × 310(H)mm Maximum height with lifting the customer display 381mm
Weight	: 12.7Kg
Power supply	: AC local voltage \pm 10% 50/60 Hz
Power consumptions	: 11.9W on stand-by 37W (max.) in operation
Operating temp.	: 32°F to 104°F (0°C to 40°C)
Built-in battery	: Ni-cd rechargeable battery Memory holding time: approx. 1 month (With fully charged at room temperature) Recharging time: 24-48 hours
Color	: Cabinet Dark office grey Drawer Charcoal grey
Built-in clock	: \pm 50 sec. in a month

at 68°F (20°C)

4. Options

No.	Model Name or Part Code	Description	Applied Model		SRV setting (Job #)	Service Option	Applicable country
			ER2385	ER2395			
1	GCOVB6882RC02	Drip-proof key switch cover	○	○	-	○	
2	GCOVB6882RCZZ	Drip-proof mode switch cover	○	○	-	○	
3	DKIT-8356RCZZ	Kit for key cover Note*1	○	○	-	○	
4	DKIT-8324RCZZ	Drawer bell kit	○	○	-	○	
5	DKIT-8325RCZZ	Drawer open sensor μ.SW kit*	○	○	-	○	
6	DKIT-8323RCZZ	Remote drawer kit (without drawer)	-	○	904-B	○	U.S.A. Canada, South Africa
7	GBOXD6907RCZZ	Remote drawer (5B/5C)	-	○	904-B	○	U.S.A.
8	GBOXD6908RCZZ	Remote drawer (4B/5C)	-	○	904-B	○	Canada
9	GBOXD6909RCZZ	Remote drawer (4B/5C)	-	○	904-B	○	South africa (SH)
10	ER-11KT2	Dept. key kit (1 × 1 size) × 30 pcs.	○	-	903-B	-	
11	ER-20BT	External option battery	○	○	-	-	
12	ER35CC	Coin case for 5B/5C	○	○	-	-	Except U.S.A. Canada
13	ER35CC1	Coin case for 4B/5C	○	○	-	-	

Note: *1: The key cover kit contains a key switch cover (GCOVB6882RC02) and a mode switch cover (GCOVB6882RCZZ).

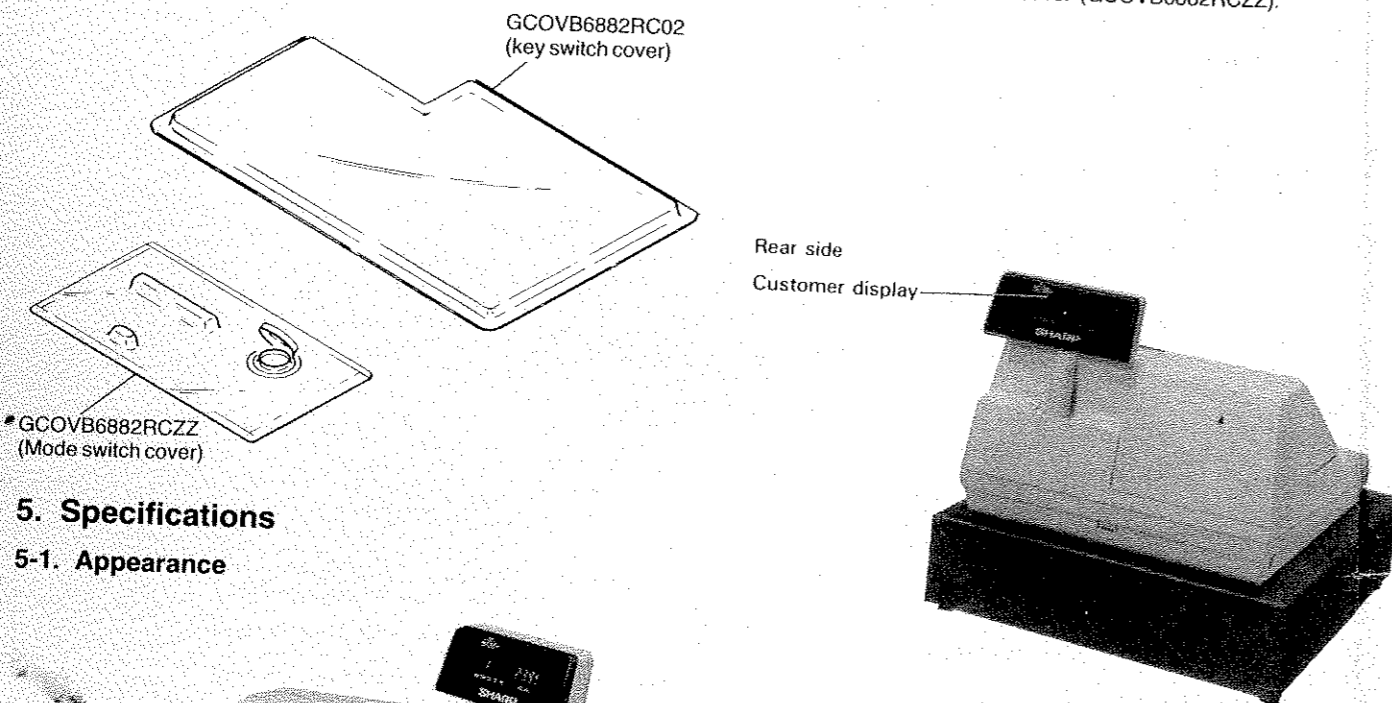


Fig. 5-2

The above photos show the ER-2395. The appearance of the ER-2385 is the same as that of the ER-2395 except for the keyboard (see the following pages.)

5. Specifications

5-1. Appearance

5-2. Rating

Model	: ER-2385, ER-2395
External size	: 405(W) × 425(D) × 310(H)mm Maximum height with lifting the customer display 381mm
Weight	: 12.7Kg
Power supply	: AC local voltage ±10% 50/60 Hz
Power consumptions	: 11.9W on stand-by 37W (max.) in operation
Operating temp.	: 32°F to 104°F (0°C to 40°C)
Built-in battery	: Ni-cd rechargeable battery Memory holding time: approx. 1 month (With fully charged at room temperature) Recharging time: 24~48 hours
Color	: Cabinet Dark office grey at 68°F (20°C) Drawer Charcoal grey
Built-in clock	: ±50 sec. in a month

Fig. 5-1

5-3. Key Board

(1) Key layout

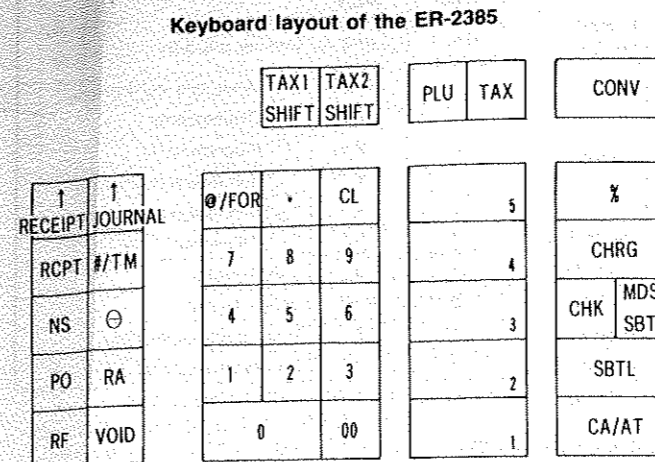


Fig. 5-3

Keyboard layout of the ER-2395

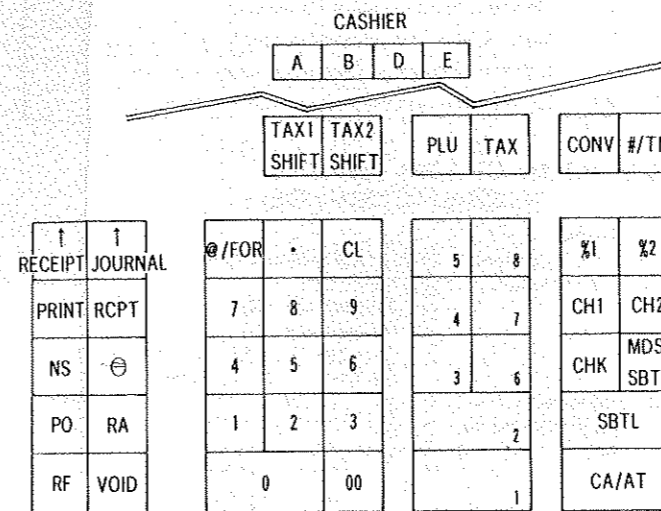


Fig. 5-4

(2) Key function name

- ↑ : Receipt/Journal paper key
- RCPT : Receipt key
- #/TM : Non-add/Time display key
- PRINT : Validation printing key (ER-2395)
- NS : No-sale key
- ⊖ : Minus key
- PA : Paid-out key
- RA : Received-on account key
- FR : Refund key
- VOID : Void key
- 0 ~ 9 : Numeric keys
- 00 : Clear key
- : Decimal point key
- @/FOR : Multiplication key

- 1 ~ 5 : Department keys (ER-2385)
- 1 ~ 8 : Department keys (ER-2395)
- % : Percent key (ER-2385)
- %1 %2 : Percent keys (ER-2395)
- CHRG : Charge key (ER-2385)
- CH1 CH2 : Charge keys (ER-2395)
- CHK : Check key
- MDSE SBTL : Merchandise Subtotal key
- SBTL : Subtotal key
- CA/AT : Cash Amount-tendered key
- CONV : Currency conversion key
- TAX : tax key
- TAX1 SHIFT TAX2 SHIFT : Taxable 1 and 2 shift keys
- PLU : Price look-up key
- A ~ E : Cashier push-button keys (ER-2395) (Stay down cashier key type)

(3) Mode switch

ER-2385 key operative range

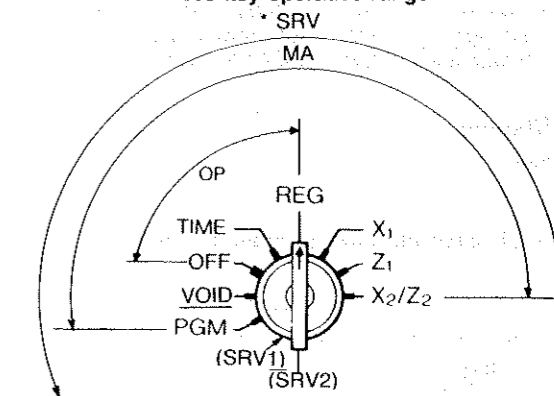


Fig. 5-5

ER-2395 key operative range

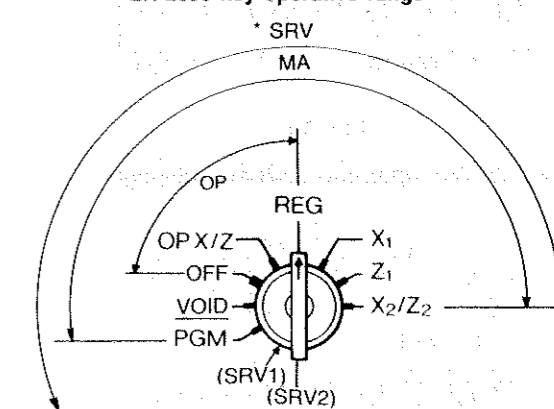


Fig. 5-6

- OFF : Turns off the power. The memory contents of the machine are retained.
- OP X/Z : Allows individual cashiers to print their own X/Z sales report on daily totals. (only ER-2395)
- TIME : Allows time display. (only ER-2385)
- REG : Allows registrations.
- X1 : Allows reading (X report) of daily sales totals.
- Z1 : Allows resetting (Z report) of daily sales totals.
- X2/Z2 : Allows reading and resetting of weekly or monthly sales total.
- VOID : Allows cancellation after the finish of a transaction.
- PGM : Allows programming essential to registrations.

(4) Mode key

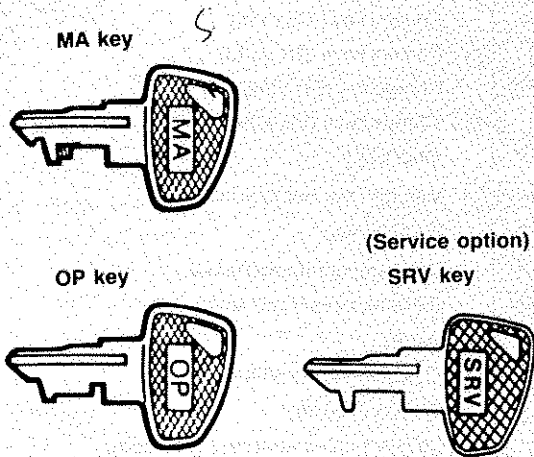


Fig. 5-7

Service key SRV : LKGIM7113RCZZ (Option)
 Master key MA : 0DUMAKEY00001
 Operator key OP : 0DUOPKEY00001

5-4. Display

(1) layout

• ER-2385 operator/customer display

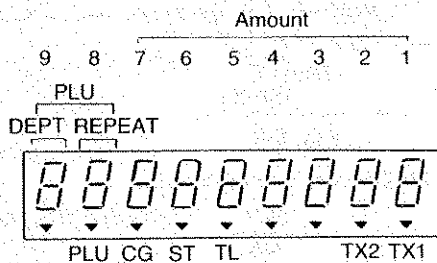


Fig. 5-8

• ER-2395 operator/customer display

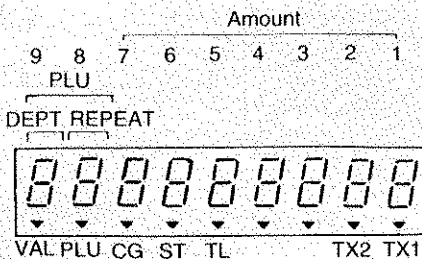


Fig. 5-9

(2) Usage of the digits

Display	No. of Digits	Used Digits	Pattern
Numeric number	Max. 7	1-7	See Fig. 5-8, 5-9
Symbol	1	2-8	"-" Minus sale registrations
		9	"E" Overflow error
		9	"P" Program mode
		9*	"□" Sub-total or short tender
Decimal point	1	9*	"□" Sub-total in conversion
		1-3	"." Tabulation " " 2-4
Dept. No.	1	9	1-digit display
PLU No.	2	8-9	2-digit display
Repeat	1	8	Endless ring counter from 2
Repeat (PLU)	1	7	Endless ring counter from 2

* The symbol is not shown after MRS or with factory presets.

(3) Indicator lamps

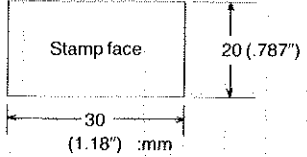
Lamp	Meaning
VAL	Lights up when the machine is programmed for validation print "Compulsory". (For ER-2395)
PLU	Lights up when a PLU entry is made.
CG	Lights up when the change due amount is displayed.
ST	Lights up when the subtotal is displayed.
TL	Lights up when direct finalization is made.
TX1	Lights up When a registration using taxable 1 is made.
TX2	Lights up when a registration using taxable 2 is made.

5-5. Printer CR-802A (ER-2385)
 CR-911D (ER-2395)

(1) Printer

- Printing system : Print wheel selective type
- Print column : 20 char. in total
 - Journal side : 10
 - Receipt side : 10
 - Amount : 8 (3~10 column)
 - Symbol : 2 (1~2 column)
- Dimensions of printing character (mm) : Figure 1.7(W)×3.2(H)
 Symbol 2.4(W)×3.2(H)
 Spacing 3.35 Between 1st and 2nd column
 3 After 3rd column
 5.1 Between lines
- Printing speed : Approx. 2.6 lines/sec. (CR-802A)
 Approx. 3.0 lines/sec. (CR-911D)
- Paper feed : Approx. 18 lines/sec.
 (Receipt issue quick feed)
- Functions : (1) Stamping
 (2) Validation printing only CR-911D
 20 column and 1 line
 (3) Receipt ON-OFF and Journal select
 (4) Individual R/J paper feeding
- Roll paper : 44.5±0.5mm (W)
 83φ (Max. Diameter)
 (DPAPR1006CSZZ)
- Paper quality : 0.06~0.09mm (Thickness)
 52.3~64.0g/m² in weight
- Reliability : MCBF 2 million lines (CR-802A)
 5 million lines (CR-911D)
- Ink roller : NRO/R6638RCZZ
 Color Purple
 Life 0.6 million lines

(2) Logo stamp

Type	Porous rubber
Stamp colour	Purple alone
Max. printable size	30(W) × 20(H) 
Stamp pattern (standard)	One of the following is provided as standard depending on the destination: VIELEN DANK, THANK YOU, MERCI, MUCHAS GRACIAS, DANK U, TACK, THANK YOU/DANKIE.
Replenishment ink	UINK-1001CCZZ (For stamp only)

(3) Print wheel layout (CR-802A, CR-911D)

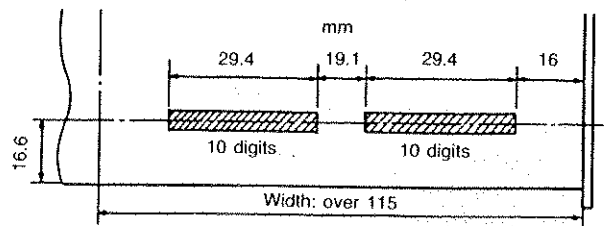
Part code : 00BM712002160 (2-16)
Price rank : BK

11	10	9	8	7	6	5	4	3	2	1
PL	TX	Z	GT	CA	@	
-	-	-	-	-	-	-	#	CK	1	
★	★	★	★	★	★	★	%	CH	2	
0	0	0	0	0	0	0	0	A	TD	
1	1	1	1	1	1	1	1	B	CG	
2	2	2	2	2	2	2	2	D	RA	
3	3	3	3	3	3	3	3	E	PO	
4	4	4	4	4	4	4	4	TX	ST	
5	5	5	5	5	5	5	5	T	TL	
6	6	6	6	6	6	6	6	⊖	Q	
7	7	7	7	7	7	7	7	X	VD	
8	8	8	8	8	8	8	8	EX	NS	
9	9	9	9	9	9	9	9	RF	VD	

(4) Validation slip specification (For only CR-911D)

- 1) Type of paper
 - a) Plain paper, b) pressure sensitive paper
 - c) Duplicating carbon paper
 - 2) Width : over 115mm
 - 3) Thickness
 - ① Plain paper alone: 0.09~0.19mm (82~157g/m² in weight)
 - ② Plain paper + duplicating paper
 - Mount paper 0.08~0.19mm (64~157g/m² in weight)
 - Pressure-sensitive paper 0.08mm (max.)
 - Duplicating carbon paper 0.035mm (max.)
 - Plain or duplicating paper 0.05mm~0.09mm
- With a combination of the above paper, the total thickness must not exceed 0.25mm and be less than 3 sheets.

4) Printing position



5-6. Drawer/Lock

- (1) Drawer
 - Metallic drawer
 - The micro switch can be installed as a service option.
 - DRAWER LOCK KEY (0AGLKMDC60A01)

LOCK: 180° counterclockwise
UNLOCK: 180° clockwise

■ Drawer lock key



Fig. 5-11

(2) Basic specification for drawers

Specs.	*Country U.S.A., SJ		Canada, RB(2, 7)		SH		RB6, RB8	
	Standard	Remote	Standard	Remote	Standard	Remote	Standard	Remote
Compartment	5B/5C	5B/5C	4B/5C	4B/5C	4B/5C	4B/5C	4B/5C	4B/5C
Bill separator	X	X	X	X	○	○	○	○
Coin sub case	X	X	X	X	○	○	○	○
Micro switch	△	○	△	○	△	○	△	○
Drawer bell	△	○	△	○	△	○	△	○

* See destination code table for country name.
○ : Standard feature
△ : Optionally available
X : Not available

6. Service Mode (SRV) Operation

To go into SRV mode, the service key (LKGIM7113RCZZ) is required for service mode operation.

6-1. Reset Operation

At SRV mode (SRV1), the following 2 types of reset operations are provided.

(1) Master Reset

When the Master Reset is executed, the data stored in all the memories will be initialized such as preset memories. And all the totalizers/counters/date and time are cleared to zeroes.

[Key Operation]

- ① Turn the mode switch to SRV2 mode.
- ② Holding down the numeric 9 key, then turn the mode switch to SRV1.

③

(For ER2385)

(For ER2395)

Enter 90 and press **CA/AT** key. Enter 91 and press **CA/AT** key.

9 0 → **CA/AT**

9 1 → **CA/AT**

- ④ Upon pressing **CA/AT** key, the master Reset is finalized.

Note: To verify the contents of the memories after Master Reset or Service Preset programming. A print message shown in Fig. 6-1 is given by doing following key operation.

9 0 0 → **@/FOR** → **CA/AT**

(2) Program Reset

By turning the mode switch from SRV2 to SRV1 mode, the register returns to initial status even while in a locked status or any registrations.

However, all the data before the reset are kept maintained except for resetting date and time memories.

Note: Job #901-D (Tabulation preset) varies by each country though, after Master Reset it will always be set at 2 (0.00). Therefore, you may be required to re-program the tabulation suitable for your country.

Fig. 6-1

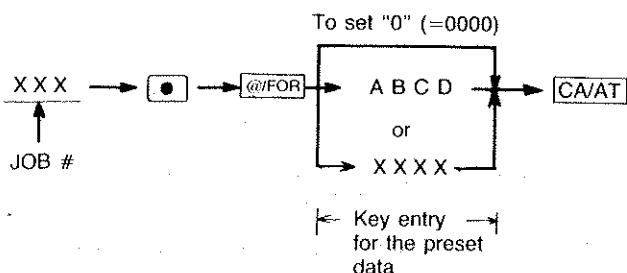
		Initial Preset After Master Reset	
		(ER2385)	(ER2395)
		00-00-00	00-00-00
		900#	900#
Service preset	901	0002	0002
	902	0015	0015
	903	0510	0810
	904	1070	3070
	905	1331	1331
	906	3505	3555
	907	3577	3577
	908	1037	5127
	909	7777	7777
	910	3173	7173
	911	7733	7733
Z1, Z2 counters	Z	0000 1	0000 1
	Z	0000 2	0000 2
GT1 totalizer	1	GT 000000 0000.00	GT 000000 0000.00
	2	GT 000000 0000.00	GT 000000 0000.00
GT2 totalizer	3	GT -000000 0000.00	GT -000000 0000.00
	3	GT -000000 0000.00	GT -000000 0000.00
Time		12-00 000-0001	12-00 000-0001A

Register No. Consecutive Number Cashier Code

6-2. SRV (service) mode programming

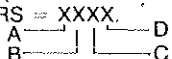
(1) Common programming procedure

[Key operation]



The common procedure for SRV mode programming is shown above. Therefore, perform the following SRV programmings according to the procedure.

Note: All the initial preset values (same as the values after Master Reset) are indicated as MRS = XXXX.



(2) Job # Table

JOB#	FUNCTION
900	SRV mode reading
901	Tabulation
902	Number of drawers/Fractional treatment
903	No. of dept./Receipt ON/OFF switch/MDSE SBTL key point
904	Cashier/Drawer/Error/Key
905	NS/Split price /Time/Date / @/FOR
906	Conversion/Multiplication/Validation etc.
907	X/Z reports
908	GT1 reset/Validation/Key etc.
909	Function programming
910	Function programming
911	Programming for print skip
912	Upper 6 digits of GT2
913	Lower 6 digits of GT2
914	Upper 6 digits of GT3
915	Lower 6 digits of GT3
916	Preset of Z1 counter
917	Preset of Z2 counter

(3) Programming procedure

[JOB #901] MRS = 0002

- 901-A Not used (Fixed to "0")
- 901-B Not used (Fixed to "0")
- 901-C Not used (Fixed to "0")

901-D Tabulation (The initial preset value as the factory preset may varies by each country.)

Tabulation	Key entry
TAB = 0 (0)	0
TAB = 1 (0.0)	1
TAB = 2 (0.00)	2
TAB = 3 (0.000)	3

[JOB #902] MRS = 0015

- 902-A Not used (Fixed to "0")
- 902-B Not used (Fixed to "0")

902-C Number of drawers and cashier assignment. (Only ER-2395 for cashier assignment)
The cashier A, B, D and E are assigned to a drawer by a fixed relation which is decided automatically by the number of drawers used for an ECR.

Number of drawer	(Cashier) drawer #	KEY ENTRY
0	No drawer	0
1	(A, B, D, E)1	1
2	(A, B)1, (D, E)2	2
2	(A)1, (B, D, E)2	3
3	(A)1, (B)2, (D, E)3	4
4	(A)1, (B)2, (D)3, (E)4	5

Drawer #1 = Standard fixed drawer
Drawer #2-4 = Optional remote drawers
(Only for ER-2395)

902-D Fractional treatment

Function	Key entry
Round down	0
Round off	5
Round up	9

[JOB #903] MRS = 0510 (ER-2385)
0810 (ER-2395)

903-A Not used (Fixed to "0")

903-B Number of department

Function	Key entry
Department function inhibited	0
2 depts.	2
3 depts.	3
4 depts.	4
5 depts. (ER-2385)	5
6 depts.	6
7 depts.	7
8 depts. (ER-2395)	8

Note: To expand the number of department, department expansion kit is required. (ER-11KT2)

903-C No receipting in any mode with the receipt ON/OFF switch in OFF position.

Receipt in OFF position	Key entry
No receipt in any mode	0
No receipt in REG mode only	1

903-D Printing when the MDSE SBTL key is pressed.

Function	Key entry
No print	0
Print	1

[JOB #904] MRS = 1070 (ER-2385)
3070 (ER-2395)

904-A 1. Cashier function
2. Void mode function

1. Cashier function	2. Void mode	Key entry
Disable	Disable	0
	Enable	1
Enable	Disable	2
	Enable	3

* The cashier function is only available for ER-2395.

- 904-B** 1. Drawer (Till) open count function
2. Drawer closing at the operation

1. Drawer open count	2. Drawer closing	Key entry
Disable	Non-compulsory	0
	Compulsory	1
Enable	Non-compulsory	2
	Compulsory	3

Note: To enable the drawer open count and drawer closing compulsory functions, the drawer open sensor (service route option) must have been installed and the preset of drawer closing must be set to "compulsory".

- 904-C** 1. Lock error beep
2. Error beep for incorrect operation (see note)
3. Key catch sound

1. Lock error	2. Error	3. Key catch sound	Key entry
Continuous	Lock & one shot	No	0
		Yes	1
	All lock error	No	2
		Yes	3
Stop after 2 sec. beep	Lock & one shot	No	4
		Yes	5
	All lock error	No	6
		Yes	7

Note: All Lock error: Long error released by CL key (2 seconds)
Lock & one shot: Short error (CL key clear is not required.)

- 904-D** 1. Key buffer clearing at the end of a transaction
2. 00 key or 000 key selection at 00 key position

1. Key buffer	2. <input type="checkbox"/> 00 <input type="checkbox"/> key or <input type="checkbox"/> 000 <input type="checkbox"/> key	Key entry
Clear	<input type="checkbox"/> 00 <input type="checkbox"/> key	0
	<input type="checkbox"/> 000 <input type="checkbox"/> key	1
Not cleared	<input type="checkbox"/> 00 <input type="checkbox"/> key	2
	<input type="checkbox"/> 000 <input type="checkbox"/> key	3

[JOB #905] MRS = 1331

- 905-A** No sale after the entry of non-add code number

No sale	Key entry
Disable	0
Enable	1

- 905-B** 1. No sale in VOID mode
2. No sale function key
3. Receipt issue at No sale entry

1. No sale in VOID mode	2. No sale key	3. Receipt for no sale	Key entry
Disable	<input type="checkbox"/> CA/AT	No	0
		Yes	1
	<input type="checkbox"/> NS	No	2
		Yes	3
Enable	<input type="checkbox"/> CA/AT	No	4
		Yes	5
	<input type="checkbox"/> NS	No	6
		Yes	7

- 905-C** 1. Split pricing counter
2. Multiplication sequence

1. Split pricing q'ty	2. Multiplication sequence	Key entry
Fractional set	Unit price × Q'ty	0
	Q'ty × Unit price	1
Whole units	Unit price × Q'ty	2
	Q'ty × unit price	3

- 905-D** 1. Time print/display format
2. Date print format

1. Time format	2. Date format	Key entry
12 hours system	Year/Month/Day	0
	Month/Day/Year	1
	Day/Month/Year	2
24 hours system	Year/Month/Day	4
	Month/Day/Year	5
	Day/Month/Year	6

[JOB #906] MRS = 3505 (ER-2385)
3555 (ER-2395)

- 906-A** 1. "c" symbol in the ninth digit during currency conversion.
2. "□" symbol in the ninth digit in full subtotaling.

1. "c" symbol for conversion	2. "□" symbol for sub-total	Key entry
Off	Off	0
	On	1
On	Off	2
	On	3

- 906-B** 1. Entry of numerical values including a decimal point in a multiplication entry for Depts. & PLUs.
2. Number of digits of percentage.
3. Printing of the number of purchased item.

1. Decimal in multiplication	2. Integers & decimals in percentage	3. Prints item number	Key entry
Disable	2-digit integer + 2-digit decimal	No Print	0
		Print	1
	2-digit integer	No Print	2
		Print	3
Enable	2-digit integer + 2-digit decimal	No print	4
		Print	5
	2-digit integer	No print	6
		Print	7

- 906-C** 1. Limits the number of times of validation printing.
2. Selects the contents of the amount in the validation prints.
3. Selects Validation print format [Machine #/Consecutive #/Cashier code/Amount] or [Date/Amount].

1. Number of validation	2. Contents of the amount	3. Validation print format	Key entry
No limit	Tendering	Date/Amount	0
		M. #/Con. #/Ca. code/Amount	1
	Total	Data/Amout	2
		M. #/Con. #/Ca. code/Amount	3
Limited (1-9, See PGM Job #255)	Tendering	Data/Amount	4
		M. #/Con. #/Ca. code/Amount	5
	Total	Data/Amount	6
		M. #/Con. #/Ca. code/Amount	7

Note: Validation function is only provided for ER-2395. For ER-2385, set this to "0".

- 906-D**
1. Direct finalization after under tendered entry
 2. Subtotaling before tendering
 3. Entry which causes the sub-total to be smaller than "0".

1. Direct finalization	2. Subtotal before tender	3. Subtotal < 0	Key entry
Disable	Non-compulsory	Disable	0
		Enable	1
	Compulsory	Disable	2
		Enable	3
Enable	Non-compulsory	Disable	4
		Enable	5
	Compulsory	Disable	6
		Enable	7

[JOB #907] MRS = 3577

- 907-A**
1. Zero skipping in Dept. report.
 2. Zero skipping in PLU report.
 3. Zero skipping in Hourly report.

1. Zero skip Dept. report	2. Zero skip PLU report	3. Zero skip Hourly report	Key entry
Print	Print	Print	0
		Zero skipping	1
	Zero skipping	Print	2
		Zero skipping	3
Zero skipping	Print	Print	4
		Zero skipping	5
	Zero skipping	Print	6
		Zero skipping	7

- 907-B**
1. Daily net total report print. (Max. 31 days)
 2. GT1 print on X1 report.
 3. Hourly report and cashier report in X1 report printing. (Cashier report is only for ER-2395)

1. Daily report print	2. GT1 print on X1	3. Hourly & cashier report	Key entry
Disable	No Print	No Print	0
		Print	1
	Print	No Print	2
		Print	3
Enable	No Print	No Print	4
		Print	5
	Print	No Print	6
		Print	7

- 907-C**
1. X2/Z2 mode function
 2. Prints components ratio of a dept. against all depts. in X2/Z2 mode

1. X2/Z2 mode function	2. Components ratio printing	Key entry
Disable	No print	2
	Print	3
Enable	No print	6
	Print	7

- 907-D**
1. GT3 print in Z mode
 2. GT2 print in Z mode
 3. GT1 print in Z mode

1. GT3 print	2. GT2 print	3. GT1 print	Key entry
No print	No print	No print	0
		Print	1
	Print	No print	2
		Print	3
Print	No print	No print	4
		Print	5
	Print	No print	6
		Print	7

1137
[JOB #908] MRS = 1037 (ER-2385)
5127 (ER-2395)

- 908-A**
1. OP X/Z mode function (Only for ER-2395)
 2. Resets GT1 after Z1 report is printed.

1. OP X/Z mode function	2. GT1 reset after Z1 report	Key entry
Disable	Disable	0
	Enable	1
Enable	Disable	4
	Enable	5

- 908-B** Validation print function.

Validation print function	Key entry
Disable	0
Enable	1

- 908-C**
1. Conversion of key position for 1 & 2, 2 & 1 keys. (see Fig. 6-2)
 2. key selection
 3. key selection

1. Key position	2. <input type="checkbox"/> key selection	3. <input type="checkbox"/> key selection	Key entry
<input type="checkbox"/> 1 <input type="checkbox"/> % <input type="checkbox"/> 2	<input type="checkbox"/> 1 <input type="checkbox"/> 2	<input type="checkbox"/> %	1
<input type="checkbox"/> <input type="checkbox"/> %1 <input type="checkbox"/> %2	<input type="checkbox"/> <input type="checkbox"/> %	<input type="checkbox"/> %1 <input type="checkbox"/> %2 (ER-2395)	2
<input type="checkbox"/> <input type="checkbox"/> %	<input type="checkbox"/> <input type="checkbox"/> %	<input type="checkbox"/> % (ER-2385)	3
<input type="checkbox"/> % <input type="checkbox"/> 1 <input type="checkbox"/> 2	<input type="checkbox"/> 1 <input type="checkbox"/> 2	<input type="checkbox"/> %	5
<input type="checkbox"/> %1 <input type="checkbox"/> <input type="checkbox"/> %2	<input type="checkbox"/> <input type="checkbox"/> %	<input type="checkbox"/> %1 <input type="checkbox"/> %2	6
<input type="checkbox"/> % <input type="checkbox"/> <input type="checkbox"/> %	<input type="checkbox"/> <input type="checkbox"/> %	<input type="checkbox"/> %	7

Note: The key position on the keyboard for and keys by each key entry will be seen as follows;

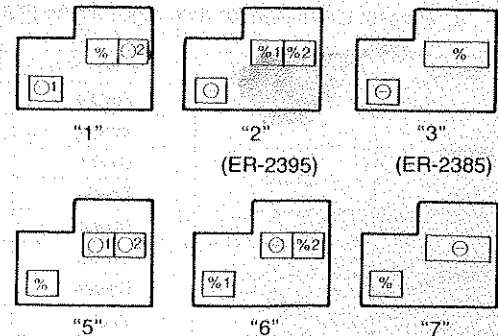


Fig. 6-2

- 908-D**
1. CONV (Currency exchange) key function
 2. # (Non-add code number) key function
 3. . (Decimal point) key function

1. Currency exchange	2. Non-add number	3. Decimal point	Key entry
Disable	Disable	Disable	0
		Enable	1
	Enable	Disable	2
		Enable	3
Enable	Disable	Disable	4
		Enable	5
	Enable	Disable	6
		Enable	7

[JOB #909] MRS = 7777

- 909-A**
1. Specifies reporting range in PLU report print.
 2. PLU function.
 3. Split pricing function.

1. PLU report range	2. PLU	3. Split pricing	Key entry
Disable	Disable	Disable	0
		Enable	1
	Enable	Disable	2
		Enable	3
Enable	Disable	Disable	4
		Enable	5
	Enable	Disable	6
		Enable	7

- 909-B**
1. Sub-total void function
 2. Indirect void function (correction of an earlier registration)
 3. Direct void function (correction just after registration)

1. Sub-total void	2. Indirect void	3. Direct void	Key entry
Disable	Disable	Disable	0
		Enable	1
	Enable	Disable	2
		Enable	3
Enable	Disable	Disable	4
		Enable	5
	Enable	Disable	6
		Enable	7

- 909-C**
1. Refund registration function
 2. Percent calculation for sub-totals (SBTL %)
 3. Percent calculation for item registrations (Item %)

1. Refund	2. SBTL %	3. Item %	Key entry
Disable	Disable	Disable	0
		Enable	1
	Enable	Disable	2
		Enable	3
Enable	Disable	Disable	4
		Enable	5
	Enable	Disable	6
		Enable	7

- 909-D**
1. No sale function.
 2. Discount (price reduction) calculation for sub-totals. (SBTL ⊖)
 3. Discount (price reduction) calculation for item registration. (Item ⊖)

1. NO sale	2. SBTL ⊖	3. Item ⊖	Key entry
Disable	No	No	0
		Yes	1
	Yes	No	2
		Yes	3
Enable	No	No	4
		Yes	5
	Yes	No	6
		Yes	7

[JOB #910] MRS = 3173 (ER-2395)
7173 (ER-2395)

- 910-A**
1. CHRG key selection (CHRG or CH1, CH2 keys)
 2. "Sale on credit (charge to the customer's account)" function.
 3. "Sale on check" function.

1. <input type="checkbox"/> CHRG key selection	2. Credit function	3. Check function	Key entry
<input type="checkbox"/> CHRG	Disable	Disable	0
		Enable	1
	Enable	Disable	2
		Enable	3
<input type="checkbox"/> CH1 <input type="checkbox"/> CH2	Disable	Disable	4
		Enable	5
	Enable	Disable	6
		Enable	7

- 910-B**
1. Enables or disables RCPT key function. (Issuance of a receipt after finalization.)

<input type="checkbox"/> RCPT key function	Key entry
Disable	0
Enable	1

- 910-C**
1. TAX delete function in the automatic taxation on the taxable item(s).
 2. Enables or Disables the manual tax entry of the tax amount.
 3. Automatic tax calculation function using tax tables or rates and tax status.

1. TAX delete	2. Manual tax entry	3. Tax calculation	Key entry
Disable	Disable	Disable	0
		Enable	1
	Enable	Disable	2
		Enable	3
Enable	Disable	Disable	4
		Enable	5
	Enable	Disable	6
		Enable	7

- 910-D**
1. Enables or disables Paid-out (PO) registrations.
 2. Enables or disables Received-on-Account (RA) registrations.

1. PO	2. RA	Key entry
Disable	Disable	0
	Enable	1
Enable	Disable	2
	Enable	3

[JOB #911] MRS = 7733

- 911-A**
1. Taxable 2 subtotal is printed on X/Z reports or skipped.
 2. Gross Tax 2 and refund Tax 2 total are printed on X/Z reports or skipped.
 3. Net Tax 2 total is printed on X/Z reports or skipped.

subtotal	1. Taxable 2 Refund Tax 2 total	2. Gross Tax 2 and total	3. Net Tax 2 Key entry
Skip	Skip	Skip	0
		Print	1
	Print	Skip	2
		Print	3
Print	Skip	Skip	4
		Print	5
	Print	Skip	6
		Print	7

- 911-B**
1. Taxable 1 subtotal is printed on X/Z reports or skipped.
 2. Gross Tax 1 and refund Tax 1 total are printed on X/Z reports or skipped.
 3. Net Tax 1 total is printed on X/Z reports or skipped.

1. Taxable 1 subtotal	2. Gross Tax 1 and Refund Tax 1 total	3. Net Tax 1 total	Key entry
Skip	Skip	Skip	0
		Print	1
	Print	Skip	2
		Print	3
Print	Skip	Skip	4
		Print	5
	Print	Skip	6
		Print	7

- 911-C**
1. Gross manual tax and refund manual tax total are printed on X/Z reports or skipped.
 2. Net manual tax total is printed on X/Z reports or skipped.

1. Gross manual tax and refund manual tax total	2. Net manual tax total	Key entry
Skip	Skip	0
	Print	1
Print	Skip	2
	Print	3

- 911-D**
1. Prints "Net sales total" or skipped on X/Z reports.
 2. Prints "Check change total" or skipped on X/Z reports.

1. Net sales total	2. Check change total	Key entry
Skip	Skip	0
	Print	1
Print	Skip	2
	Print	3

[JOB #912, 913, 914, 915]

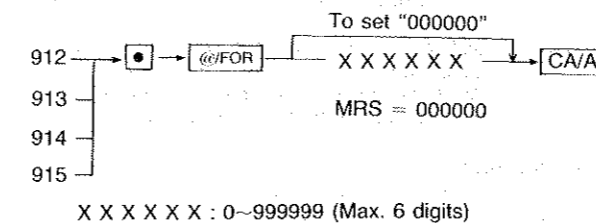
Set-up a value to Grand Total 2 and 3.

GT2: +GT (Gross GT)
GT3: -GT (Refund GT)

Note: On the GT1, the value is determined by calculating the sum of GT2 and GT3, then automatically set into the GT1 memory.

- JOB #912: Upper 6 digits of GT2
- JOB #913: Lower 6 digits of GT2
- JOB #914: Upper 6 digits of GT3
- JOB #915: Lower 6 digits of GT3

(Programming procedure)

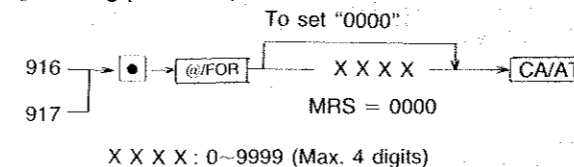


[JOB #916, 917]

Set-up a value to the resetting counter Z1, Z2.

JOB #916: Resetting counter (Z1)
JOB #917: Resetting counter (Z2)

(Programming procedure)



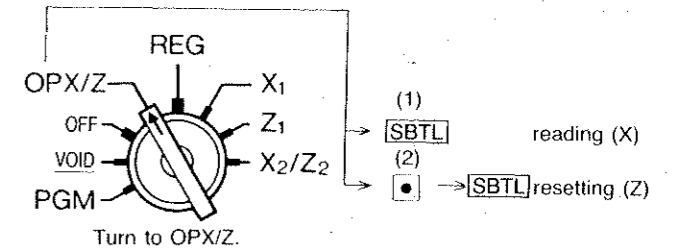
7. Functional outline of OPX/Z, X1, Z1, X2/Z2, PGM modes

Only the outline of PGM, OPX/Z, X1, Z1 and X2/Z2 modes are described in this service manual. Please refer to the instruction (Operation) manual for the detail.

7-1. OPX/Z mode (Only for ER-2395)

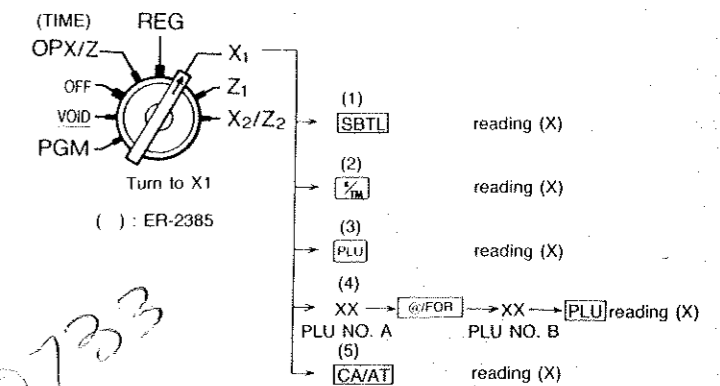
Note: Depress the corresponding cashier key beforehand.

- (1) Individual Cashier record reading (X report)
- (2) Individual Cashier record resetting (Z report)



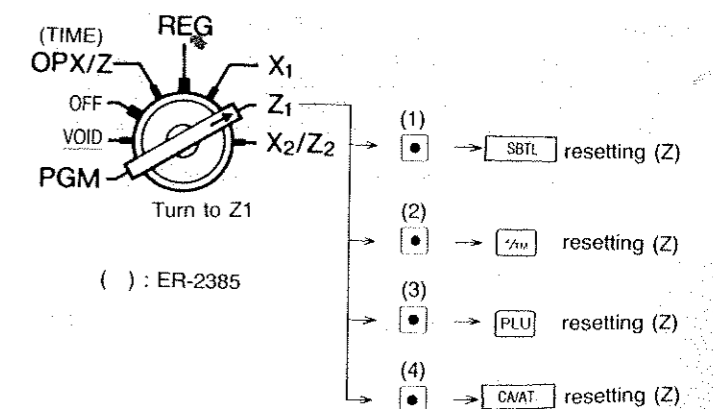
7-2. X1 mode (Reading): X1 Reports

- (1) All cashier records (Only ER-2395)
- (2) Hourly sales record
- (3) PLU-basis sales record
- (4) PLU-basis sales record for a specified range (A ~ B) of consecutive PLU numbers.
- (5) Sales record on all items except for cashier, hourly and PLU sales records.



7-3. Z1 mode (Resetting): Z1 Reports

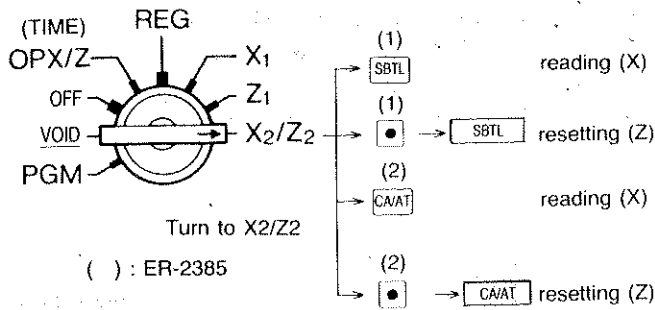
- (1) All cashier records. (Only ER-2395)
- (2) Hourly sales record.
- (3) PLU-basis sales record.
- (4) Sales record on all items except for cashier, hourly and PLU sales records..



7-4. X2/Z2 mode (Reading/Resetting):

X2 Reports/Z2 Reports

- (1) Reading and resetting the daily net sales record
- (2) Reading and resetting the periodic consolidated record on all items.

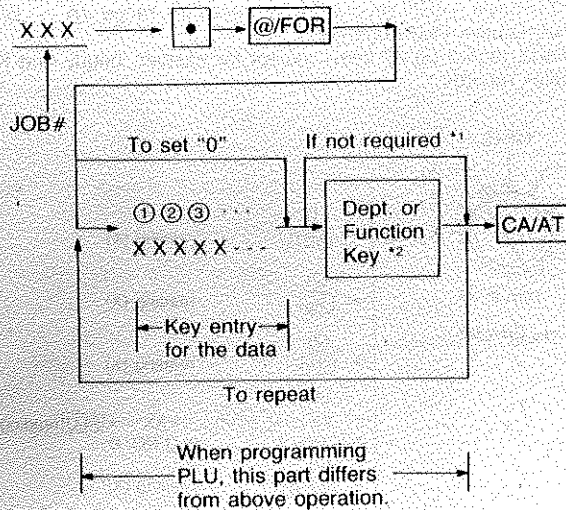


Note: When every sales transaction is made, the sales records will be added to the totalizers for the periodic consolidated record.

7-5. PGM mode (Programming)

1. Common programming procedure

[Basic key operation]



*1: Job#s 250, 251, 252, 253, 255, 257, 263 are not required.

*2: When programming a function related to the department or function keys, press one of those [Dept. 1], [PO], [PA], [CHRG], [CH1], [CH2], [CHK], [@/FOR], [%], [CONV], [⊖], [TAX] keys.

2. Programming

JOB#	CONTENTS	
250	Setting the date (Day, Month, Year)	X X X X X X
251	Setting the time (Hour, Minute)	X X X X
252	Machine number (max. 3 digits)	X X X
253	Consecutive number (max. 4 digits)	X X X X

Note: In Job#253, to start from "0001", press the [CA/AT] key without entering any number.

For [DEPT.] keys

- 210 Specifies functional selections for an individual department.
- ① Single item cash sale 1
 - Ordinary department 0

- ② Unit Price Dept. prohibition 0
- Open entry 1
- Preset 2
- Preset & Open entry 3

110 Setting the unit price for the department.
X X X X X (Max. 6 digits)
(If a unit price is set to the department, the registration using the preset price is enable regardless the contents of JOB# 210.)

- 211 Specifying the tax staus and sign for department keys
- ① Tax 2 Non-taxable 0
 - Taxable 1
 - ② Tax Non-taxable 0
 - Taxable 1
 - ③ Sign Plus (+) department 0
 - Minus (-) department 1

212 Setting the high amount limit on prices entered into each department.

- ① Setting the value of high-order
- Entry prohibition 0
- Value of high-order digit 1~9

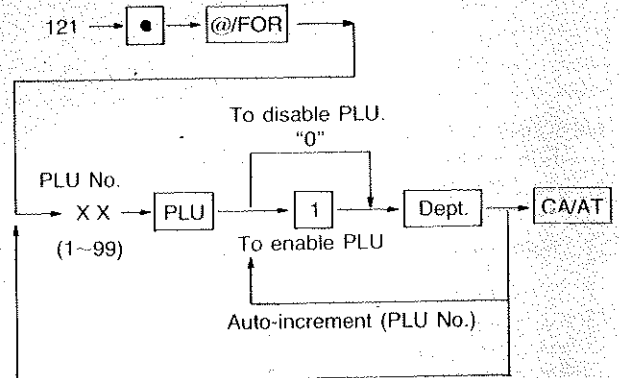
- ② Setting the digit limitation for department key
- Entry prohibition 0
- Number of digits 1~7

Note: When "00" (Zeroes) are set, keyed (open) unit price entry is prohibited.

For [PLU] function

- 121
- Assigning PLU numbers to departments.
 - Enable or Disable PLU registration.

[Procedure]

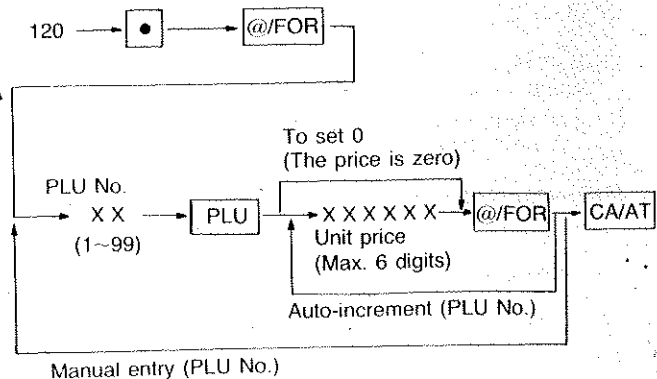


Manual entry (PLU No.)

- Disable PLU registration 0
- Enable PLU registration 1

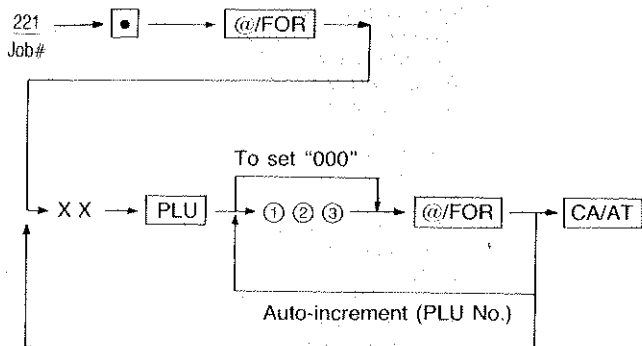
120 Setting the unit price for each item to assigned PLU number(s).
The PLU number of the item should have been assigned to a department beforehand by JOB# 121.

[Procedure]



JOB# CONTENTS
221 Specifying the tax and sign to an individual PLU number

[Procedure]



Manual entry (PLU No.)

- ① Tax 2 Non-taxable 0
Taxable 1
- ② Tax 1 Non-taxable 0
Taxable 1
- ③ Sign Plus (+) 0
Minus (-) 1

For FUNCTION keys

130

Setting the rates for:

- (1) Percent [%] or [%1] [%2] keys
Percent rate X X X X → 0.00~99.99%
- (2) Conversion [CONV] key
Conversion rate X X X X X X → 0.000~999.999
X X X X (0.000 ~ 99.99%)
- Note 1. [%1] and [%2] keys are only for ER-2395.
2. Enter the required rate without using decimal point.

231

Assigning the tax status and plus or minus sign for the percent keys [%] or [%1], [%2], and ⊖ key.

- ① Tax 2 Non-taxable 0
Taxable 1
- ② Tax 1 Non-taxable 0
Taxable 1
- ③ Sign Plus (+) 0
Minus (-) 1

Note: In case of ⊖ key, only the minus (-) sign can be assigned. Even if you enter "0" (plus) in assigning the sign to the ⊖ key, "1" (minus) is set automatically.

232

Setting the high amount digit limitation for [TAX], ⊖, [PO] and [RA] keys.

- ① Setting the limit on the most significant digit.
Entry prohibition 0
Value of the digit 1~9
- ② Setting the digit limitation
Entry prohibition 0
Number of digits 1~7

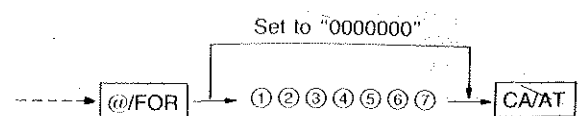
255

Setting the limit on the number of times of validation printing. (Only ER-2395)

- ① Prohibition 0
No. of times 1~9 times

257

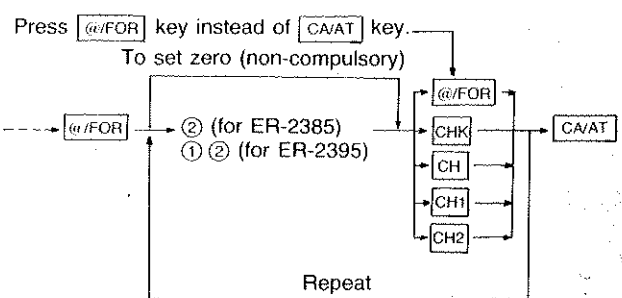
Enables or prohibits optional feature selection.



	Function	Choice	Entry
①	Subtotal void in the REG mode	enable	0
		prohibit	1
②	Indirect void in the REG mode	enable	0
		prohibit	1
③	Direct void in the REG mode	enable	0
		prohibit	1
④	Refund registrations in the REG mode	enable	0
		prohibit	1
⑤	Receipt printing format	detailed	0
		summary	1
⑥	Journal printing format	detailed	0
		summary	1
⑦	Printing of transaction time	both receipt and journal	0
		journal only	1
		receipt only	2
		neither receipt nor journal	3

260

Setting the functions for the finalization keys ([CA/AT], [CHRG], [CH1], [CH2], [CHK])



	Function	Choice	Entry
①	Validation printing	Compulsory	1
		Non-compulsory	0
②	Amount-tendered entry	Compulsory	1
		Non-compulsory	0

261

Setting the limit on the amount of check change [CHK] key.

- ① Maximum of the most significant digit
Entry prohibition 0
Value of digit 1~9
- ② Maximum number of entry digits
Entry prohibition 0
Number of digits 1~7

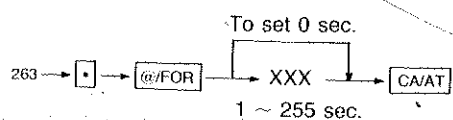
262

Setting the high amount limit for the [CHK] and [CHRG] or [CH1], [CH2] keys.

- ① Maximum of the most significant digit
Entry prohibition 0
Value of digit 1~9
- ② Maximum number of entry digits
Entry prohibition 0
Number of digits 1~7

263

Setting the time limit for open drawer



OPEN DRAWER COUNT*1 (In REG or VOID modes)
If a drawer is opened by a normal operation*2 and is kept opened more than the preset time interval*3, a drawer open counter (corresponding to the cashier: ER-2395) is incremented by one.

For this purpose, the drawer open counter is provided (for each cashier and a totalizer for the sum of the counters: ER-2395).

If the drawer is closed, or an effective key operation⁴ (permitted even with the drawer open) is performed before passage of the preset time interval, the timer stops and the counter does not increment. (The machine will not recognize that the drawer was open.)

Note:

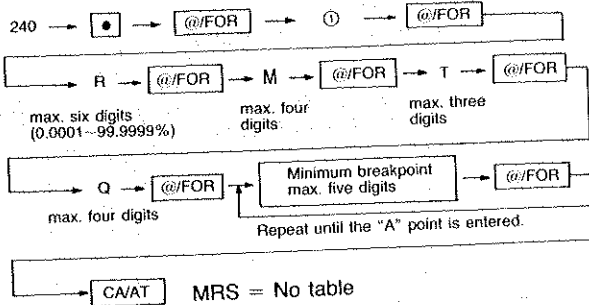
- *1: This function does not work unless "drawer closing compulsory: SRV Job#904B" is programmed and "drawer open sensor: Service option" is installed for the machine.
- *2: If the drawer is opened irregularly such as manual-open, this function will not work.
- *3: It ranges from 0 to 255 seconds.
- *4: Validation print, etc.

For TAX related function

240 Setting the tax table
144 breakpoints can be used for two tax tables. (Maximum 72 for each table.)

- ① Specifying the tax table kind
Tax table 1 _____ 1
Tax table 2 _____ 2

[Procedure]



Note: If you make an incorrect entry before entering the M in programming a tax table, cancel it with the CL key; and if you make an error after entering the M, cancel it with the @/FOR key. Then program again from the beginning correctly.

(1) Programming the tax table

- ① For this example, refer to the New Jersey tax table below (column A) New Jersey tax table: 6% rate.

Tax.	A		B	C
	Minimum breakpoint	Maximum breakpoint		
.00	.01	.10	-	Non-cyclic
.01←T	.11←Q	.22	10	
.02	.23	.38	12	Cyclic (I)
.03	.39	.56	16	
.04	.57	.72	18	
.05	.73	.88	16	
.06	.89	1.10	16	
.07	1.11←"A" point	1.22	22	Cyclic (II)
.08	1.23	1.38	12	
.09	1.39	1.56	16	
.10	1.57	1.72	18	
.11	1.73	1.88	16	
.12	1.89	2.10	16	
.13	2.11	2.22	22	

The information which must be supplied to the ECR for tax table oriented calculations include the following:
R: The Rate (R) is entered as a six-digit number (2-digit integer and 4-digit decimal). Thus, a 6% rate would be entered as 60000. If the rate is fractional (e.g. 4 3/8%), then the fractional portion (3/8) would be converted to its decimal equivalent

(i.e. 3750) and the resulting rate of 43750 would be entered. Note that the nominal rate (R) is generally indicated on the tax table.

The other values which must be entered for correct table-based tax calculations are as follows:

- Q: The smallest amount for which tax must be collected. In some states, there are amounts which are not subject to tax (e.g. if amounts of \$0.01 to \$0.10 are not taxed, the value of Q - being the smallest taxable amount - would be \$0.11).
- T: The amount of tax which is associated with the amount Q.
- M: The value is associated with the cyclical nature of many tax tables. In fact, the need to support tax tables as opposed to the use of a straight percentage calculation is because there are amounts where the result of applying the percentage calculation does not result in a tax amount which is the same as the related table amount. The table must, therefore, be used to obtain the data (i.e. the value M) necessary for the register to obtain the correct tax amount. The procedures to obtain this value are as follows:

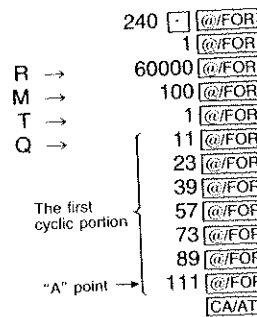
The tax table must be examined in order to find repeating cycles in terms of the breakpoint differences as indicated in the preceding tax table (Note that a 'breakpoint' is that amount at which a tax amount increment takes place).

As you can see from the table, the breakpoint differences indicated by Cycle I repeat in Cycle II. I indicates the tax table's cyclical pattern and thus the value for M is determined by adding the breakpoint difference amounts associated with I (i.e. for purposes of the sample table, this value is 100).

The value of M may be viewed as the taxable amount which is covered by the cycle. Thus, it can be determined by adding all of the breakpoint differences in a cycle or by simply taking the difference between the first breakpoint of the cycle and the first breakpoint of the next cycle.

Example: Programming the sample tax table shown below is tax table 1.

Key operation

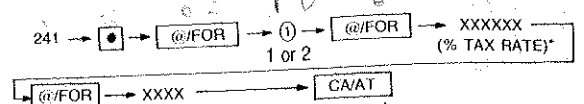


241

Setting % Tax rate
① Specifying the tax table kind

- TAX table 1 _____ 1
- TAX table 2 _____ 2

Presettable TAX RATE range = 0.0001 - 99.9999%
Lowest taxation limit = 0 - \$99.99



* No decimal point key is required.

7-6. Reading the program contents

At PGM mode;

- 1) 110 → [@/FOR] → [CAAT] Program contents for departments.
- 2) 120 → [@/FOR] → [CAAT] Program contents for PLUs.
- 3) 130 → [@/FOR] → [CAAT] The other program contents.

Note: All the print samples shows initial presets after MRS. (Except Fig. 7-3)

```

00-00-00
  110#
1  1097
  0.00
2  1097
  0.00
3  1097
  0.00
4  1097
  0.00
5  1097
  0.00
6  1097
  0.00
7  1097
  0.00
8  1097
  0.00
12-00
000-0002A
    
```

Job#

Setting for job# 210 (Functional selection)

Setting for job# 212 (Digit limitation)

Setting for job# 110 (Unit price)

Department NO. (1~5 for ER-2385) (1~8 for ER-2395)

Cashier code This will not be printed by ER-2385.

Fig. 7-1 Print sample for Job# 110

```

15-02-87
120#
14-56
000-0005E
    
```

Note: If there is no presets stored in the memory, all the contents are zero-skipped.

Fig. 7-2 Print sample for Job# 120 without presets

```

00-00-00
  120#
PL 1 110
  1.50
PL 2 TX 110 1
  2.50
PL 3 TX 210 2
  4.50
PL 98 TX 810
  35.00
PL 99 810
  -0.50
12-06
000-0011A
    
```

Job#

PLU No.

Dept. No. } Job# 121
PLU enable }

Ordinary sale or SICS (Depends on the department presets)

Unit price Job# 120

TAX status Job# 221

Fig. 7-3 Print sample for Job# 120 with preset example

```

00-00-00
  130#
-0.00% 1
-0.00% 2
0.0000 EX
97 0
97 TX
97 RA
97 PO
00 CA
0097 CH 1
0097 CH 2
0097 CK
97 CK CG
1 Q
0000000#
--- VD
TX 1
--- VD
TX 2
12-00
000-0003A
    
```

Job# 130

Percent rate and sign Job# 130, 231

Exchange rate

Digit limitation for [⊖] key.

Digit limitation for [TAX] key.

Digit limitation for [RA] key

Digit limitation for [PO] key

Validation print

Digit limitation and amount-tendered entry compulsory for [CHK]/[CHRG] (ER2385), or [CH1] [CH2] (ER2395) keys.

Digit limitation for check change

Number of validation print

Optional feature selection

TAX table or rate will be Printed when they have been programmed.

Fig. 7-4 Print sample for Job# 130

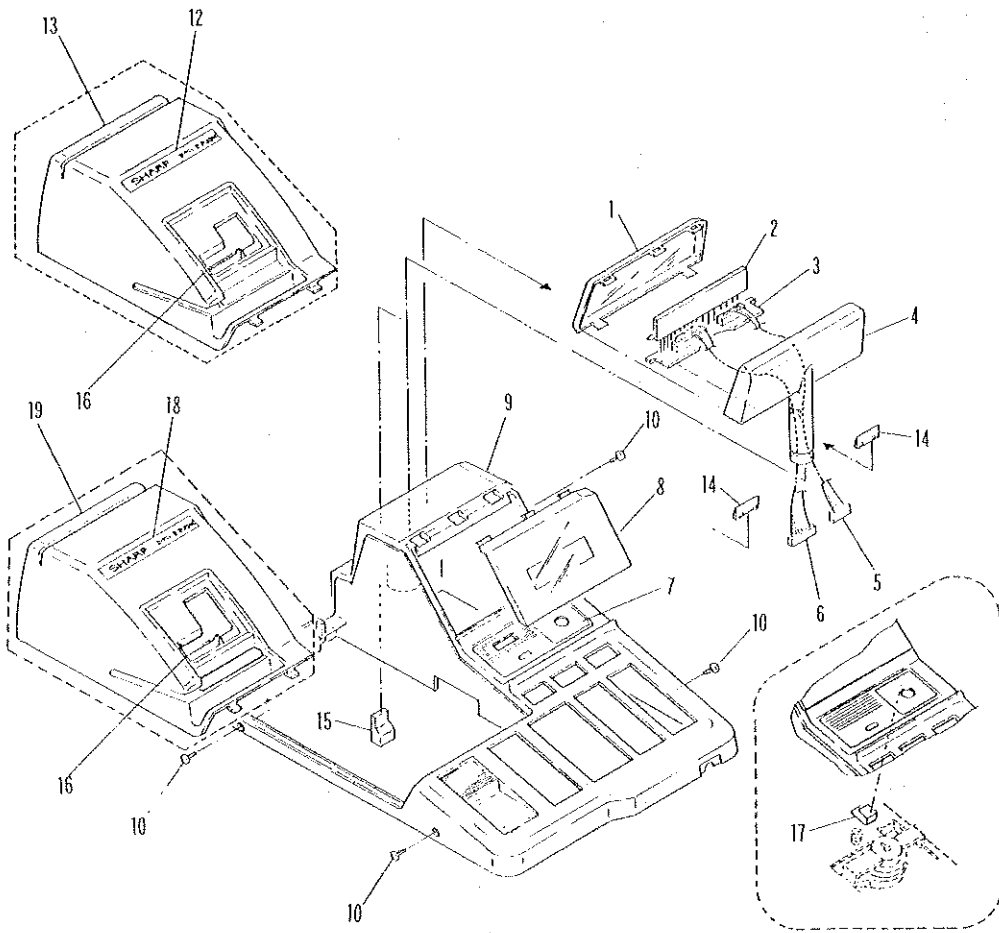
1 Exteriors

NO.	PARTS CODE	PRICE RANK	NEW MARK	PART RANK	DESCRIPTION	ER 2385	ER 2395
1	P F I L W 6 8 1 0 R C Z Z	AG	N	C	Pop up filter	○	○
	P F I L W 6 8 0 3 R C Z Z	AG	N	C	Pop up filter	○	○
2	V V K H 9 M T 1 0 Z / - 1	AY		B	Display tube (H9MT10Z)	○	○
3	Q P W B F 7 0 5 1 R C Z Z	AC		C	Pop up PWB (Board only)	○	○
4	G C A B F 6 9 2 7 R C Z Z	AH	N	D	Pop up cabinet	○	○
5	Q C N C W 6 9 1 8 R C 0 9	AH		C	Connector with wires (9pin)	○	○
6	Q C N C W 6 9 1 8 R C 1 1	AK		C	Connector with wires (11pin)	○	○
7	H D E C A 6 7 4 8 R C Z Z	AG	N	D	Decoration panel (without cashier hole)	○	○
	H D E C A 6 7 5 0 R C Z Z	AG	N	D	Decoration panel (with cashier hole)	○	○
8	P F I L W 6 8 0 9 R C Z Z	AH	N	C	Filter	○	○
	P F I L W 6 8 0 2 R C Z Z	AB	N	C	Filter	○	○
9	G C A B B 6 9 2 5 R C Z Z	AV	N	D	Top cabinet	○	○
10	X B B S C 3 0 P 1 2 0 0 0	AA		C	Screw (3×12)	○	○
12	H B D G D 6 8 2 0 R C Z Z	AC	N	D	Model badge	○	○
13	G C O V A 6 8 8 7 R C Z A	AQ	N	D	Printer cover	○	○
14	G F T A B 6 7 1 2 R C Z Z	AC		D	Mask lid for pop up	○	○
15	P G U M S 6 6 5 2 R C Z Z	AB		C	Cushion rubber	○	○
16	P C U T - 1 0 2 7 C C Z Z	AC		C	Paper cutter	○	○
17	P S H E Z 6 7 1 8 R C Z Z	AB	N	C	Sheet (aluminium)	○	○
18	H B D G D 6 8 2 2 R C Z Z	AC	N	D	Model badge	○	○
19	G C O V A 6 8 8 7 R C Z Z	AL	N	D	Printer cover	○	○
501	C P W B F 7 0 5 1 R C 0 1	BB		E	Pop up PWB unit (Include No.2,3,5,6)	○	○

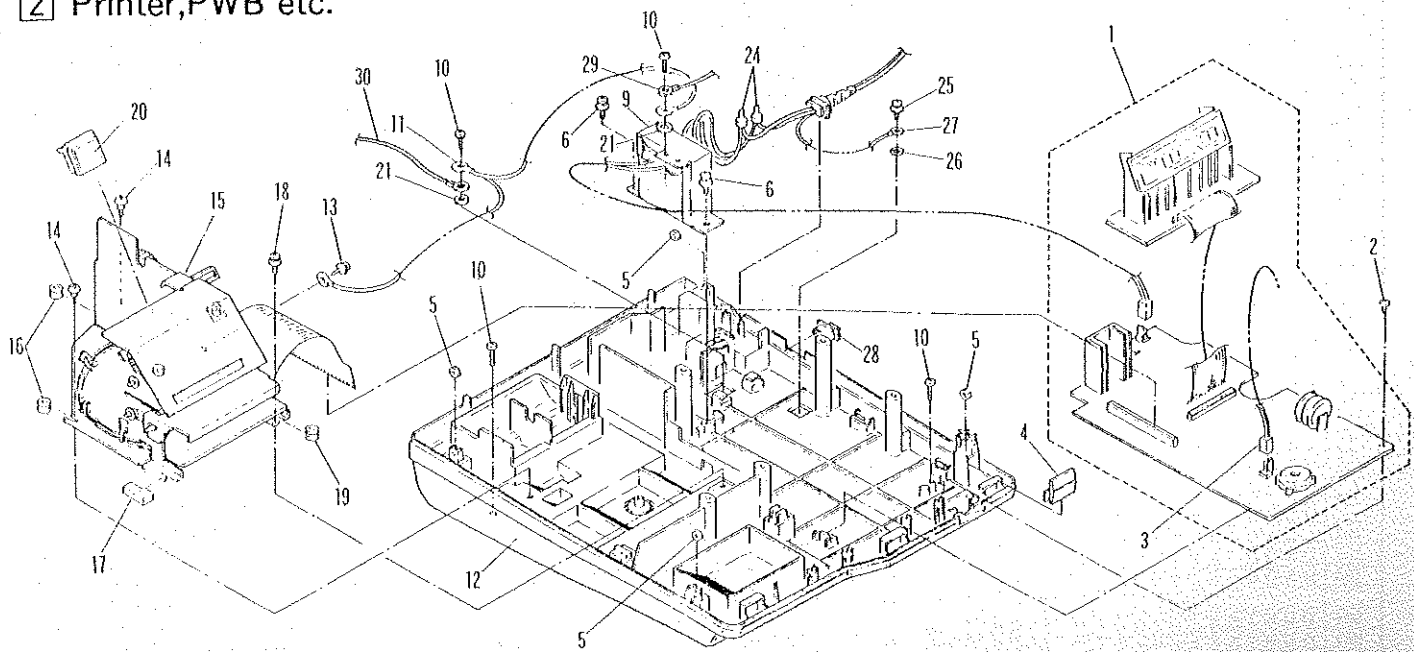
2 Printer, PWB etc.

NO.	PARTS CODE	PRICE RANK	NEW MARK	PART RANK	DESCRIPTION	ER 2385	ER 2395
1	C P W B F 7 0 5 0 R C 0 3	CD	N	E	Main PWB unit (U.S.A., CANADA)	○	○
	C P W B F 7 0 5 0 R C 0 7	CD	N	E	Main PWB unit (Other countries)	○	○
2	X U B S D 3 0 P 0 8 0 0 0	AA		C	Screw (3×8)	○	○
3	0 A G Q C W 2 0 6 M K S S	AE		B	Connector with wire (2pin)	○	○
4	G F T A B 6 7 1 4 R C Z Z	AB	N	D	Mask lid (Cashier switch cover)	○	○
5	X N E S D 3 0 - 2 4 0 0 0	AA		C	Nut (3NS)	○	○
6	X B P S D 3 0 P 0 8 K S 0	AA		C	Screw (3×8KS)(only for AC cord Type-E)	○	○
9	R T R N P 6 7 6 5 R C Z Z	AV	N	B	Power transformer (U.S.A., CANADA)	○	○
	R T R N P 6 7 6 9 R C Z Z	AX		B	Power transformer (RB2,8,SJ,SH)	○	○
	R T R N P 6 7 6 7 R C Z Z	AX		B	Power transformer (RB6,7)	○	○
10	X F P S D 3 0 P 0 8 0 0 0	AA		C	Screw (3×8)	○	○
11	Q C N W - 6 9 1 8 R C Z Z	AC		C	Earth wire (Printer-Trans.-Drawer) (RB6,7,SJ,SH)	○	○
12	G C A B A 6 9 2 6 R C Z Z	AW	N	D	Bottom cabinet	○	○
13	X B P S D 4 0 P 0 6 0 0 0	AA		C	Screw (4×6)	○	○
14	L X - B Z 1 0 0 7 C C Z Z	AB		C	Screw	○	○
15	K I - 0 8 6 7 0 9 R C Z Z	BY	N	E	Printer unit (CR802)	○	○
	K I - 0 8 6 7 1 2 R C Z Z	CA	N	E	Printer unit (CR911D)	○	○
16	P C U S - 4 1 0 1 C C Z Z	AB		C	Printer cushion	○	○
17	P G U M M 6 2 6 3 R C Z Z	AC		C	Printer cushion	○	○
18	X B P S D 3 0 P 1 0 K S 0	AB		C	Screw (3×10KS)	○	○
19	P C U S G 1 2 2 0 C C Z Z	AB		C	Printer cushion	○	○
20	P S T M - 6 6 6 0 R C 0 1	AR		C	Stamp (MUCHAS GRACIAS) (RB6)	○	○
	P S T M - 6 6 5 8 R C 0 1	AR	N	C	Stamp (YOUR RECEIPT THANK YOU) (Other countries)	○	○
21	L X - W Z 6 6 9 8 R C Z Z	AA		C	Washer	○	○
24	Q T A N P 1 0 9 4 C C Z Z	AA		C	Terminal (U.S.A., CANADA)	○	○
25	X B P B Z 4 0 P 0 6 K 0 0	AA		C	Screw (4×6K) (U.S.A., CANADA, RB2,8,SH)	○	○
26	L X - W Z 0 0 4 6 F C Z Z	AA		C	Washer	○	○
27	Q T A N P 0 0 0 4 H C Z Z	AB		C	Lug terminal (4φ) (U.S.A., CANADA, RB2,8,6)	○	○
28	G F T A B 6 2 6 4 R C Z Z	AB		D	Battery connector cover (except U.S.A., CANADA)	○	○
29	Q C N W - 7 0 8 6 R C Z Z	AL	N	C	Earth wire with core (Gray) (RB6,7,SJ)	○	○
	Q C N W - 7 0 8 5 R C Z Z	AL	N	C	Earth wire with core (G/Y) (except RB6,7,SJ)	○	○
	Q C N W - 7 0 7 9 R C Z Z	AC	N	C	Earth wire (to the keyboard) (except RB6,7,SJ)	○	○
30	Q C N W - 7 0 8 0 R C Z Z	AC	N	C	Earth wire (to the keyboard) (RB6,7,SJ)	○	○

1 Exteriors



2 Printer, PWB etc.



3 Packing material & Accessories

NO.	PARTS CODE	PRICE RANK	NEW MARK	PART RANK	DESCRIPTION	ER 2385	ER 2395	
1	SPAKA7562RCZZ	AM	N	D	Packing cushion (Right)	○	○	
2	SPAKA7563RCZZ	AM	N	D	Packing cushion (Left)	○	○	
3	PSHEP6681RCZZ	AC		C	Sheet	○	○	
4	SPAKC7561RCZZ	AN	N	D	Packing case	○	○	
	SPAKC7565RCZZ	AN	N	D	Packing case	○	○	
5	SSAKH3015CCZZ	AA		D	Vinyl bag (260×360mm)	○	○	
6	SSAKH3012CCZZ	AA		D	Vinyl bag (80×120mm)	○	○	
101	UINK-1001CCZZ	AK		S	Ink (5cc)	○	○	
102	SPAKF7025RCZZ	AC		D	Packing bag(for AC plug)	(RB2,8,SJ,SH)	○	○
103	SSAKA5004CCZZ	AA		D	Vinyl bag (100×300mm)	○	○	
104	TCADH6653RCZZ	AB		D	Caution card	(U.S.A.)	○	○
	TCADH6654RCZZ	AB		D	Caution card	(Other countries)	○	○
	TCADH6660RCZZ	AF		D	Card	(Canada)	○	○
106	TCAUA6655RCZZ	AA	N	D	Battery caution label	(Canada)	○	○
107	TINSE7009RCZZ	AQ	N	D	Instruction book	(U.S.A.)	○	○
	TINSK7047RCZZ	AW		D	Instruction book	(Other countries)	○	○
108	UBNDA1008CCZZ	AA		C	AC cord band	○	○	
109	LKGIM7113RCZZ	AK		B	Service key (for mode switch) (SRV : Option)(1pc)	○	○	

4 Keyboard unit

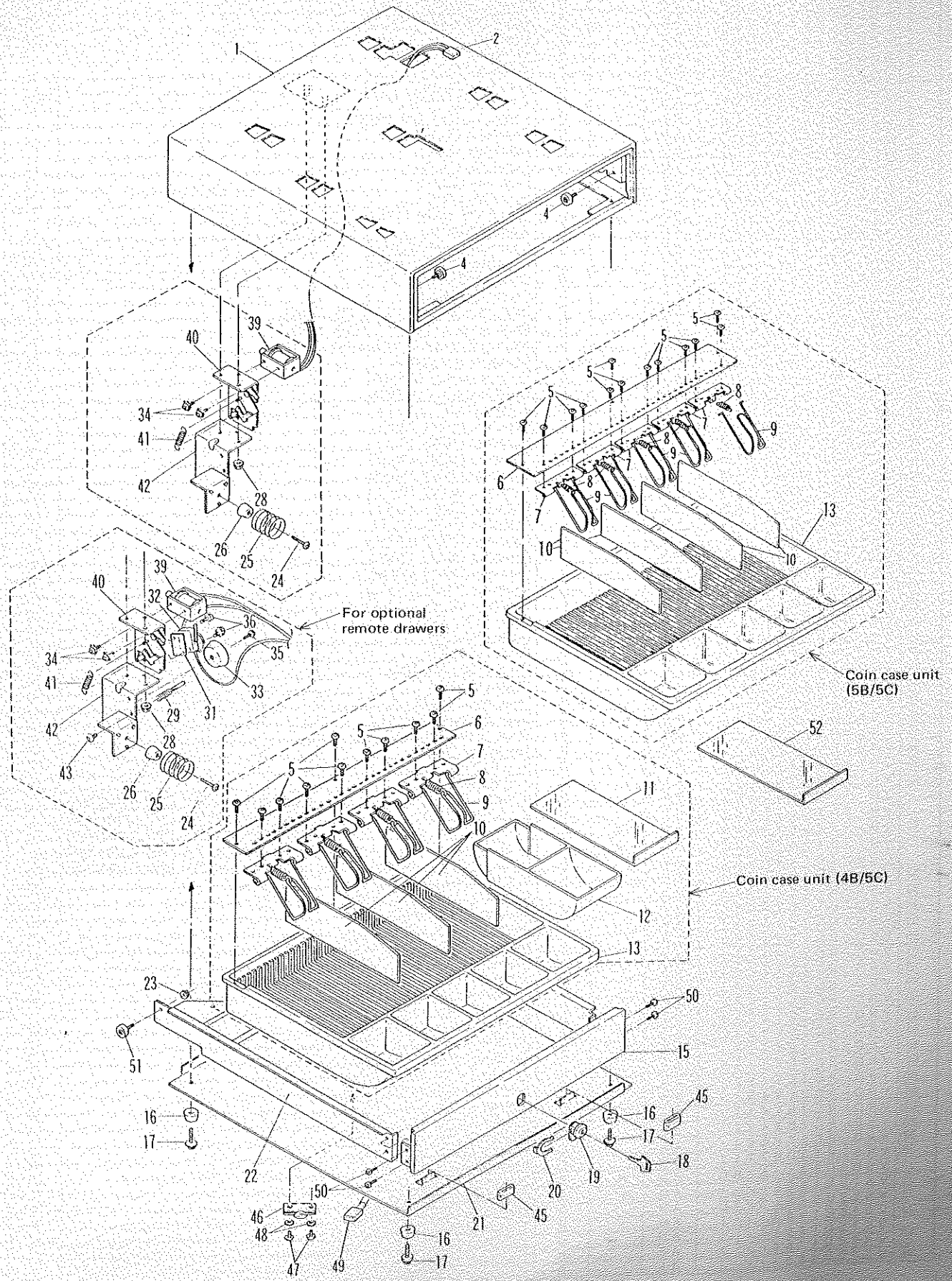
NO.	PARTS CODE	PRICE RANK	NEW MARK	PART RANK	DESCRIPTION	ER 2385	ER 2395	
1	JKNBZ6767RCZZ	AA		C	Key cap (1×1)	○	○	
2	JKNBZ6771RCZZ	AC		C	Key cap (1×2)	○	○	
3	JKNBZ6766RCZZ	AA		C	Key top (blank) (1×1)	○	○	
4	JKNBZ6770RCZZ	AC		C	Key top (blank) (1×2)	○	○	
5	JKNBZ6751RCZZ	AB		C	Key top 1 (1×1)	○	○	
	JKNBZ6752RCZZ	AB		C	Key top 2 (1×1)	○	○	
	JKNBZ6753RCZZ	AB		C	Key top 3 (1×1)	○	○	
	JKNBZ6754RCZZ	AB		C	Key top 4 (1×1)	○	○	
	JKNBZ6755RCZZ	AB		C	Key top 5 (1×1)	○	○	
	JKNBZ6756RCZZ	AB		C	Key top 6 (1×1)	○	○	
	JKNBZ6757RCZZ	AB		C	Key top 7 (1×1)	○	○	
	JKNBZ6758RCZZ	AB		C	Key top 8 (1×1)	○	○	
	JKNBZ6759RCZZ	AB		C	Key top 9 (1×1)	○	○	
	JKNBZ6777RCZZ	AB		C	Key top . (1×1)	○	○	
	JKNBZ6778RCZZ	AB		C	Key top CL (1×1)	○	○	
	JKNBZ6762RCZZ	AB		C	Key top 00 (1×1)	○	○	
	JKNBZ6788RCZZ	AB		C	Key top @/FOR (1×1)	○	○	
	JKNBZ6761RCZZ	AC		C	Key top "0" (1×2)	○	○	
6	CFRM-6636RCZZ	AD		B	Key switch (J-F0432#01)(for 1×2 key)	○	○	
7	PGIDM6680RCZZ	AD		B	Key guide (Dummy switch)(for 1×2 key)	○	○	
8	CFRM-6632RCZZ	AD		B	Key switch (for 1×1 key)	○	○	
9	0ALZ-D3008041	AA		C	Screw (for cashier switch)	○	○	
10	0ALZ-B2004002	AA		C	Screw (2×4)	○	○	
11	XUSSF30P06000	AA		C	Screw (3×6)	○	○	
12	0AL501KBS-177	AX	N	C	Frame B (501KBS-177-90R)	○	○	
13	0DU0PKEY00001	AG		B	Operator key (OP)	○	○	
	0DUMAKEY00001	AG		B	Master key (MA)	○	○	
14	0DUBODY000002	AP		B	Mode switch	○	○	
15	0ALKBSE034805	AT	N	B	Cashier switch unit (KBS0101E034805)	○	○	
16	0ALKBSE033804	AG	N	B	Slide switch unit (KBS0101E033804)	○	○	
17	0AL523KBS-007	AB	N	C	Supporter (523KBS-007-02)	○	○	
18	0ALKBSE033803	AX	N	E	PWB unit (KBS0101E033803)	○	○	
19	0ALZ-D3020510	AA	N	C	Screw (Z-D3020-510)	○	○	
20	0ALKBSE033801	AY	N	C	Element ass'y (KBS0101E033801)	○	○	
21	0AL523KBS-009	AB		C	Supporter (523KBS-009-01)	○	○	
22	LX-BZ6672RCZZ	AA		C	Screw with spacer	○	○	
23	0AL207KAG-001	AL		C	Label set (207KAG-001-01R)	○	○	
24	PSPAK2331RCZZ	AA		C	Spacer	○	○	
25	LX-WZ6698RCZZ	AA		C	Washer	○	○	
26	QCNW-7087RCZZ	AC	N	C	Earth wire for PWB	(RB6,7,SJ)	○	○
27	QCNW-7086RCZZ	AL	N	C	Earth wire with core	(except RB6,7,SJ)	○	○
	QCNW-7085RCZZ	AL	N	C	Earth wire with core		○	○
28	XNESD30-24000	AH		C	Nut	○	○	
29	XBPSD30P08000	AA		C	Screw (3×8)	○	○	
30	MSPRC6690RCZZ	AA	N	C	Spring	○	○	
31	XWHNZ40-08100	AA		C	Washer	○	○	
32	XBPRZ30P08000	AA		C	Screw (3×8)	○	○	
33	QCNW-7080RCZZ	AC	N	C	Earth wire (to the drawer)	(RB6,7,SJ)	○	○
	QCNW-7079RCZZ	AC	N	C	Earth wire (to the drawer)	(Other countries)	○	○
101	LBNDJ0004UCZZ	AA		C	Band	○	○	
102	UKOG-6635RCZZ	AX		C	Key stem (switch) remover	○	○	
103	UKOG-6636RCZZ	AX		C	Key top remover	○	○	
	(Unit)					○		
901	DUNTK8253RCZZ	BR	N	E	Keyboard unit		○	
901	DUNTK8259RCZZ	BR	N	E	Keyboard unit		○	

5 Drawer box unit

NO.	PARTS CODE	PRICE RANK	NEW MARK	PART RANK	DESCRIPTION	STD DW	SRV OP
						○	○
1	0AGGCM100SS42	BD	N	D	Drawer cabinet	○	○
	0AGGCM104SS42	BD	N	D	Drawer cabinet (without holes on the top surface)	○	○
2	0AGQCW206MKSS	AE		B	Connector with wire (2pin)	○	○
4	0AGNRP19B2000	AE		C	Roller	○	○
5	0AGXBD805304N	AA		C	Screw (3x4)	○	○
6	0AGLBC602MKSS	AG		C	Bill pressure bracket	○	○
7	0AGLBC603MKSS	AD		C	Bill pressure sub angle	○	○
8	0AGMST601MKSB	AB		C	Bill pressure spring	○	○
9	0AGMLV602MKSS	AD		C	Bill pressure lever	○	○
10	0AGPSR606MKSS	AE		C	Separator	○	○
11	0AGGSP600MKSS	AF		C	Bill separator (RB6,8,SH)(SRV OP for South Africa)	○	○
12	0AGGSP601MKSS	AM		C	Coin sub case (RB6,8,SH)(SRV OP for South Africa)	○	○
13	0AGGCP606MKSS	AW		C	Coin case	○	○
15	0AGGDW403S423	AP		D	Drawer (Front)	○	○
16	0AGGLG800K230	AB		C	Rubber foot	○	○
17	0AGXBD201415S	AA		C	Screw (4x15)	○	○
18	0AGLKMDC60A01	AH		B	Lock key (1PC)	○	○
19	0AGDC60A-010S	AP		B	Lock key body (body)	○	○
20	0AGMSK801MKSS	AE		C	Lock key spring	○	○
21	0AGGIU100SS42	AT	N	D	Bottom plate	○	○
	0AGGIU101SS42	AT	N	D	Bottom plate	○	○
22	0AGGDW409S423	AX		C	Drawer case	○	○
23	0AGLXZ801M6SP	AA		C	Spring nut (6mm)	○	○
24	0AGXBD803315S	AA		C	Screw (3x15)	○	○
25	0AGMST806423A	AC		C	Push out spring	○	○
26	0AGGLG8022017	AB		C	Stopper rubber (Rear)(K2017)	○	○
28	0AGLXZ800M4SP	AA		C	Nut (4mm)	○	○
29	0AGMLF230MKSS	AC		C	Bell hammer unit	○	○
31	0AGPSP200MKSS	AB		C	Insulator sheet	○	○
32	0AGQSW201MKSS	AM	N	B	Micro switch	○	○
33	0AGRAL202MKSS	AC		C	Bell	○	○
34	0AGXBD201306X	AA		C	Screw with washer (3x6)	○	○
35	0AGXBD801408W	AA		C	Screw with spring washer (4x8)	○	○
36	0AGXBD202314X	AA		C	Screw (3x14)	○	○
39	0AGRLU208MKSS	AN		C	Plunger	○	○
40	0AGMKS210MKSS	AK		C	Lock unit	○	○
41	0AGMST800MKSB	AB		C	Lock spring	○	○
42	0AGLCS202MKSS	AH		C	Unit chassis	○	○
43	0AGXBD806406N	AA		C	Screw	○	○
45	0AGLSG200MKSS	AB		C	Stopper rubber(Front) (Front)	○	○
46	0AGLDW200MKSS	AD		C	Holder	○	○
47	0AGXBD20038C1	AA		C	Screw	○	○
48	0AGXWD8003050	AA		C	Washer (3mm)	○	○
49	0AGQCW209MKSS	AN	N	C	Connector with wires	○	○
50	0AGXBD500306S	AA		C	Screw (3x6)	○	○
51	0AGNRP19B0010	AE		B	Roller	○	○
52	GCASP6640RCZZ	AF		C	Bill separator (SJ)	○	○
	0AGCCP6065500	BA	N	E	Coin case unit (5B/5C) (U.S.A.,SJ)	○	○
	0AGCCP6064500	AZ		E	Coin case unit (4B/5C) (CANADA,RB2,7)	○	○
	0AGCCP6063700	BD	N	E	Coin case unit (4B/5C) (RB6,8,SH)	○	○
	(Unit)						
	GB0XD6886RCZZ	BN	N	E	Drawer box unit (5B/5C) (U.S.A.,SJ)(except No52)	○	○
	GB0XD6910RCZZ	BN	N	E	Drawer box unit (4B/5C) (CANADA,RB2,7)	○	○
	GB0XD6888RCZZ	BP		E	Drawer box unit (4B/5C) (RB6,8,SH)	○	○
901	GB0XD6907RCZZ	NH	N	E	Drawer box unit (5B/5C) (SRV OP for U.S.A.)	○	○
	GB0XD6908RCZZ	NH	N	E	Drawer box unit (4B/5C) (SRV OP for CANADA)	○	○
	GB0XD6909RCZZ	NH	N	E	Drawer box unit (4B/5C) (SRV OP for South Africa)	○	○

NOTE1: STD:Standard parts
SRV OP:Optional parts as service route

5 Drawer box unit



Free Manuals Download Website

<http://myh66.com>

<http://usermanuals.us>

<http://www.somanuals.com>

<http://www.4manuals.cc>

<http://www.manual-lib.com>

<http://www.404manual.com>

<http://www.luxmanual.com>

<http://aubethermostatmanual.com>

Golf course search by state

<http://golfingnear.com>

Email search by domain

<http://emailbydomain.com>

Auto manuals search

<http://auto.somanuals.com>

TV manuals search

<http://tv.somanuals.com>