

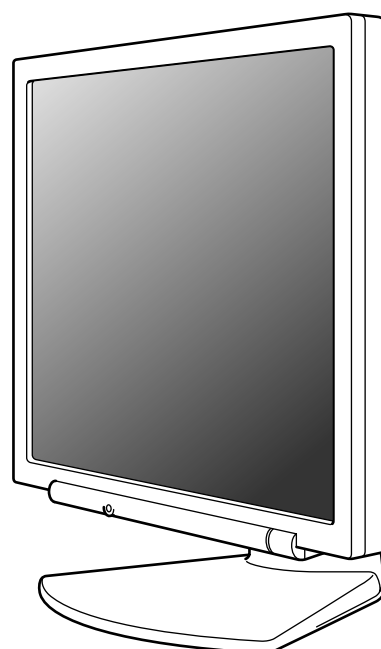
SHARP®

LCD Monitor
LCD Farbmonitor
Moniteur LCD
Monitor LCD
Monitor LCD

LL-171A

LL-171G

OPERATION MANUAL
BEDIENUNGSANLEITUNG
MODE D'EMPLOI
MANUALE D'USO
MANUAL DE FUNCIONAMIENTO



LL-171A

Table of Contents/Inhaltsverzeichnis/Table des matières/Indice/Índice

Notice for Users in the USA	3
Notice for Users in Europe	4
Notice for Users in the UK	5
Notice for Users in Australia	5
TCO'99	6
English	7
Deutsch	33
Français	59
Italiano	85
Español	111

Notice for Users in the USA

IMPORTANT:

To aid in reporting in case of loss or theft, please record the monitor's model and serial numbers in the space provided. The numbers are located on the rear of the monitor.

Model No.:

Serial No.:

FCC Statement

WARNING – FCC Regulations state that any unauthorized changes or modifications to this equipment not expressly approved by the manufacturer could void the user's authority to operate this equipment.

Note: This equipment has been tested and found to comply with the limits for a Class B digital device pursuant to Part 15 of the FCC Rules.

These limits are designed to provide reasonable protection against harmful interference in a residential installation. This equipment generates, uses and can radiate radio frequency energy and, if not installed and used in accordance with the instructions, may cause harmful interference to radio communications. However, there is no guarantee that interference will not occur in a particular installation. If this equipment does cause harmful interference to radio or television reception, which can be determined by turning the equipment off and on, the user is encouraged to try to correct the interference by one or more of the following measures:

- Reorient or relocate the receiving antenna.
- Increase the distance between the equipment and receiver.
- Connect the equipment into an outlet on a circuit different from that to which the receiver is connected.
- Consult the dealer or an experienced radio/TV technician for help.

Use nothing but the included cables and AC cord to insure compliance with FCC regulation for Class B computing equipment.

Declaration of Conformity

SHARP LCD Color Monitor LL-171A-W/LL-171A-B/LL-171G-W/LL-171G-B

This device complies with part 15 of the FCC rules. Operation is subject to the following conditions: (1) this device may not cause harmful interference, and (2) this device must accept any interference received, including interference that may cause undesired operation.

Responsible Party: SHARP ELECTRONICS CORPORATION
Sharp Plaza, Mahwah, New Jersey 07430
TEL: 1-800-BE-SHARP



* As an ENERGY STAR® Partner, SHARP has determined that this product meets the ENERGY STAR® guidelines for energy efficiency.

This product utilizes tin-lead solder, and fluorescent lamp containing a small amount of mercury. Disposal of these materials may be regulated due to environmental considerations. For disposal or recycling information, please contact your local authorities or the Electronics Industries Alliance: www.eiae.org

Notice for Users in Europe

This equipment complies with the requirements of Directives 89/336/EEC and 73/23/EEC as amended by 93/68/EEC.

Dieses Gerät entspricht den Anforderungen der EG-Richtlinien 89/336/EWG und 73/23/EWG mit Änderung 93/68/EWG.

Ce matériel répond aux exigences contenues dans les directives 89/336/CEE et 73/23/CEE modifiées par la directive 93/68/CEE.

Dit apparaat voldoet aan de eisen van de richtlijnen 89/336/EEG en 73/23/EEG, gewijzigd door 93/68/EEG.

Dette udstyr overholder kravene i direktiv nr. 89/336/EEC og 73/23/EEC med tillæg nr. 93/68/EEC.

Quest' apparecchio è conforme ai requisiti delle direttive 89/336/EEC e 73/23/EEC, come emendata dalla direttiva 93/68/EEC.

Η εγκατάσταση ανταποκρίνεται στις απαιτήσεις των οδηγιών της Ευρωπαϊκής Ένωσης 89/336/ΕΟΚ και 73/23/ΕΟΚ, όπως οι κανονισμοί αυτοί συμπληρώθηκαν από την οδηγία 93/68/ΕΟΚ.

Este equipamento obedece às exigências das directivas 89/336/CEE e 73/23/CEE, na sua versão corrigida pela directiva 93/68/CEE.

Este aparato satisface las exigencias de las Directivas 89/336/CEE y 73/23/CEE, modificadas por medio de la 93/68/CEE.

Denna utrustning uppfyller kraven enligt riktlinjerna 89/336/EEC och 73/23/EEC så som komplette ras av 93/68/EEC.

Dette produktet oppfyller betingelsene i direktivene 89/336/EEC og 73/23/EEC i endringen 93/68/EEC.

Tämä laite täyttää direktiivien 89/336/EEC ja 73/23/EEC vaatimukset, joita on muutettu direktiivillä 93/68/EEC.

CAUTION:

TO PREVENT ELECTRICAL SHOCK, DISCONNECT THE AC CORD BEFORE SERVICING.

CAUTION:

FOR A COMPLETE ELECTRICAL DISCONNECTION, PULL OUT THE MAIN PLUG.

VORSICHT:

UM DIE STROMZUFUHR VOLLSTÄNDIG ZU UNTERBRECHEN, DEN NETZSTECKER HERAUSZIEHEN ENTFERNEN.

ATTENTION :

POUR UN ARRÊT TOTAL DE L'APPAREIL, DEBRANCHEZ LA PRISE DU COURANT SECTEUR.

VARNING:

FÖR TOTAL ELEKTRISK URKOPPLING, KOPPLA UR KONTAKTEN OCH.

PRECAUCION:

PARA UNA COMPLETA DESCONEXION ELECTRICA DESENCHUFE LA CLAVIJA DE LA RED.

PRECAUCION:

A FIN DE EVITAR DESCARGAS ELÉCTRICAS, DESCONECTE EL ENCHUFE DE LA RED ANTES DE REALIZAR CUALQUIER OPERACIÓN DE SERVICIO.

ATTENZIONE:

PER EVITARE FOLGORAZIONI, SCOLLEGATE IL CAVO DI COLLEGAMENTO ALLA RETE IN ALTERNATA PRIMA DI EFFETTUARE UN INTERVENTO DI SERVIZIO TECNICO.

ATTENZIONE:

PER UNO SCOLLEGAMENTO ELETTRICO COMPLETO, TIRATE FUORI LA SPINA PRINCIPALE.

Notice for Users in the UK

FOR CUSTOMERS IN U.K.

IMPORTANT

The wires in this mains lead are coloured in accordance with the following code:

GREEN-AND-YELLOW : Earth
BLUE : Neutral
BROWN : Live

As the colours of the wires in the mains lead of this apparatus may not correspond with the coloured markings identifying the terminals in your plug proceed as follows:

- The wire which is coloured GREEN-AND-YELLOW must be connected to the terminal in the plug which is marked by the letter **E** or by the safety earth \perp or coloured green or green-and-yellow.
- The wire which is coloured BLUE must be connected to the terminal which is marked with the letter **N** or coloured black.
- The wire which is coloured BROWN must be connected to the terminal which is marked with the letter **L** or coloured red.

Ensure that your equipment is connected correctly. If you are in any doubt consult a qualified electrician.

"WARNING: THIS APPARATUS MUST BE EARTHED."

Notice for Users in Australia

Service Inquiries

Please contact your dealer for service if required or contact Sharp Corporation of Australia on 1 300 13 50 22 for referral to your nearest Sharp authorized Service Center.



TCO Development

SE-114 94 Stockholm, Sweden

Fax: +46 8 782 92 07

Email (Internet): development@tco.se

Current information regarding TCO'99 approved and labelled products may also be obtained via the Internet, using the address: <http://www.tco-info.com/>

Congratulations!

You have just purchased a TCO'99 approved and labelled product! Your choice has provided you with a product developed for professional use. Your purchase has also contributed to reducing the burden on the environment and also to the further development of environmentally adapted electronics products.

Why do we have environmentally labelled computers?

In many countries, environmental labelling has become an established method for encouraging the adaptation of goods and services to the environment. The main problem, as far as computers and other electronics equipment are concerned, is that environmentally harmful substances are used both in the products and during their manufacture. Since it is not so far possible to satisfactorily recycle the majority of electronics equipment, most of these potentially damaging substances sooner or later enter nature.

There are also other characteristics of a computer, such as energy consumption levels, that are important from the viewpoints of both the work (internal) and natural (external) environments. Since all methods of electricity generation have a negative effect on the environment (e.g. acidic and climate-influencing emissions, radioactive waste), it is vital to save energy. Electronics equipment in offices is often left running continuously and thereby consumes a lot of energy.

What does labelling involve?

This product meets the requirements for the TCO'99 scheme which provides for international and environmental labelling of personal computers. The labelling scheme was developed as a joint effort by the TCO (The Swedish Confederation of Professional Employees), Svenska Naturskyddsforeningen (The Swedish Society for Nature Conservation) and Statens Energimyndighet (The Swedish National Energy Administration).

Approval requirements cover a wide range of issues: environment, ergonomics, usability, emission of electric and magnetic fields, energy consumption and electrical and fire safety.

The environmental demands impose restrictions on the presence and use of heavy metals, brominated and chlorinated flame retardants, CFCs (freons) and chlorinated solvents, among other things. The product must be prepared for recycling and the manufacturer is obliged to have an environmental policy which must be adhered to in each country where the company implements its operational policy.

The energy requirements include a demand that the computer and/or display, after a certain period of inactivity, shall reduce its power consumption to a lower level in one or more stages. The length of time to reactivate the computer shall be reasonable for the user. Labelled products must meet strict environmental demands, for example, in respect of the reduction of electric and magnetic fields, physical and visual ergonomics and good usability.

Below you will find a brief summary of the environmental requirements met by this product. The complete environmental criteria document may be ordered from:

Environmental requirements

Flame retardants

Flame retardants are present in printed circuit boards, cables, wires, casings and housings. Their purpose is to prevent, or at least to delay the spread of fire. Up to 30% of the plastic in a computer casing can consist of flame retardant substances. Most flame retardants contain bromine or chloride, and those flame retardants are chemically related to another group of environmental toxins, PCBs. Both the flame retardants containing bromine or chloride and the PCBs are suspected of giving rise to severe health effects, including reproductive damage in fish-eating birds and mammals, due to the bio-accumulative* processes. Flame retardants have been found in human blood and researchers fear that disturbances in foetus development may occur.

The relevant TCO'99 demand requires that plastic components weighing more than 25 grams must not contain flame retardants with organically bound bromine or chlorine. Flame retardants are allowed in the printed circuit boards since no substitutes are available.

Cadmium**

Cadmium is present in rechargeable batteries and in the colour-generating layers of certain computer displays. Cadmium damages the nervous system and is toxic in high doses. The relevant TCO'99 requirement states that batteries, the colour-generating layers of display screens and the electrical or electronics components must not contain any cadmium.

Mercury**

Mercury is sometimes found in batteries, relays and switches. It damages the nervous system and is toxic in high doses. The relevant TCO'99 requirement states that batteries may not contain any mercury. It also demands that mercury is not present in any of the electrical or electronics components associated with the labelled unit. There is however one exception. Mercury is, for the time being, permitted in the back light system of flat panel monitors as there today is no commercially available alternative. TCO aims on removing this exception when a mercury free alternative is available.

CFCs (freons)

The relevant TCO'99 requirement states that neither CFCs nor HCFCs may be used during the manufacture and assembly of the product. CFCs (freons) are sometimes used for washing printed circuit boards. CFCs break down ozone and thereby damage the ozone layer in the stratosphere, causing increased reception on earth of ultraviolet light with e.g. increased risks of skin cancer (malignant melanoma) as a consequence.

Lead**

Lead can be found in picture tubes, display screens, solders and capacitors. Lead damages the nervous system and in higher doses, causes lead poisoning. The relevant TCO'99 requirement permits the inclusion of lead since no replacement has yet been developed.

* Bio-accumulative is defined as substances which accumulate within living organisms.

** Lead, Cadmium and Mercury are heavy metals which are Bio-accumulative.

Table of Contents

Tips and safety precautions	8
Product description	10
Angle adjustment, height adjustment	11
Connecting the monitor and turning the monitor on and off	12
Securing the cables [LL-171G]	12
Connecting the monitor to a computer	12
Connection of headphones (commercially available)	15
Connecting the monitor to a power source	15
Turning the power on	15
Changing between input terminals [LL-171G]	16
Turning the power off	16
Adjusting the screen display and speaker volume	17
Adjusting the backlight	17
Adjusting the speaker volume	18
Setting display mode	18
Checking product information	18
Adjusting the screen display	19
Automatic screen adjustment (When using an analog signal)	19
Manual screen adjustment	20
Monitor care	23
Monitor care	23
Storage	23
Troubleshooting	23
Specifications	24
Installing set-up information and the ICC profile (For Windows)	28
Information about the ColorSync profile (For MacOS)	31
Instructions for attaching a VESA-compliant arm	32

Tips and safety precautions

- The TFT color LCD panel used in this monitor is made with the application of high precision technology. However, there may be minute points on the screen where pixels never light or are permanently lit. Also, if the screen is viewed from an acute angle there may be uneven colors or brightness. Please note that these are not malfunctions but common phenomena of LCDs and will not affect the performance of the monitor.
- Do not display a still picture for a long time, as this could cause an afterimage to remain.
- If the brightness is adjusted to the minimum setting it may be difficult to see the screen.
- The quality of the computer signal may influence the quality of the display. We recommend using a computer able to emit high quality video signals.
- Never rub or tap the monitor with hard objects.
- Please understand that Sharp Corporation bears no responsibility for errors made during use by the customer or a third party, nor for any other malfunctions or damage to this product arising during use, except where indemnity liability is recognized under law.
- This monitor and its accessories may be upgraded without advance notice.

Location

- Do not use the monitor where ventilation is poor, where there is a lot of dust, where humidity is high, or where the monitor may come into contact with oil or steam, as this could lead to fire.
- Ensure that the monitor does not come into contact with water or other fluids. Ensure that no objects such as paper clips or pins enter the monitor as this could lead to fire or electric shock.
- Do not place the monitor on top of unstable objects or in unsafe places. Do not allow the monitor to come into contact with strong shocks or vibrations. Causing the monitor to fall or topple over may damage it.
- Do not use in places where the monitor will be subject to direct sunlight, near heating equipment or anywhere else where there is likelihood of high temperature, as this may lead to generation of excessive heat and outbreak of fire.

The Power Cord

- Do not damage the power cord nor place heavy objects on it, stretch it or over bend it. Also, do not add extension cords. Damage to the cord may result in fire or electric shock.
- Use only the power cord supplied with the monitor.
- Insert the power plug directly into the AC outlet. Adding an extension cord may lead to fire as a result of overheating.
- Do not remove or insert the power plug with wet hands. Doing so could result in electric shock.

Tips and safety precautions

Monitor and accessory checklist

- Please check that the following items are included in the package.
 - LCD monitor (1)
 - Analog signal cable (1)
(model name: 0NW1738GAB01A)
 - [LL-171G] Digital signal cable (1)
(model name: 0NW1748LAB007)
 - Audio cable (1)
(model name: 0NW0173056023)
 - [LL-171G] Cable clamp (2)
 - CD-ROM (1)
 - Operation manual (1)

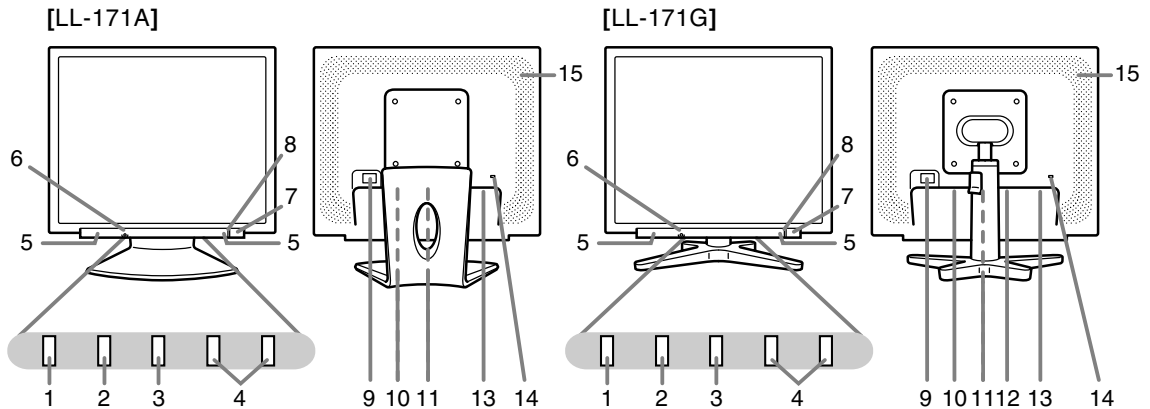
Notes:

- [LL-171A] Use only the cables supplied with the monitor.
- Be sure to use cables that are less than 3 m in length.
- [LL-171G] The analog signal cable (DVI-I29 pin – mini D-sub15 pin) is to be purchased separately.
(model name: NL-C02E)
- [LL-171G] The 2-input cable (DVI-I29 pin – DVI-D24 pin/mini D-sub15 pin) is to be purchased separately.
(model name: NL-C03J)
- You are advised to retain the carton in case the monitor needs to be transported.
- Sharp Corporation holds authorship rights to the Utility Disk program. Do not reproduce it without permission.
- The shape of the supplied accessories may not be exactly same as shown in this manual.

Manual Scope

- This manual is written for use with the LL-171A and the LL-171G. When describing a different specification between the models, the model name is also given. (If the model name isn't given, the description is true for both models. For product appearance, illustrations of the LL-171A are used in this manual.)
- In this manual, Microsoft Windows XP will be referred to as "Windows XP", Microsoft Windows Millennium as "Windows Me", Microsoft Windows 2000 as "Windows 2000", Microsoft Windows 98 as "Windows 98", Microsoft Windows 95 as "Windows 95", and Microsoft Windows Version 3.1 as "Windows 3.1". When there is no need to distinguish between programs, the term "Windows" will be used.
- Microsoft and Windows are registered trademarks of Microsoft Corporation.
- Macintosh is a registered trademark of Apple Computer, Inc.
- All other brand and product names are trademarks or registered trademarks of their respective holders.

Product description



1. **AUTO button [LL-171A]** This button is used to perform automatic adjustment of the screen (CLOCK, PHASE, H-POS and V-POS). (p.19)
- INPUT button [LL-171G]** To switch between the signal's input terminals.
2. **MENU button** This button is used to pop-up, select and close the OSD (On Screen Display) Menu.
3. **▼ / MODE button** When the OSD Menu is displayed:
 This button is used to select menu options.
 When the OSD Menu is not displayed:
 This button is used to set DISPLAY MODE.
4. **◀▶ buttons** When the OSD Menu is displayed:
 These buttons are used to select an option or adjust the value of the selected option.
 When the OSD Menu is not displayed:
 These buttons are used to adjust backlight brightness and speaker volume.
5. **Speakers** Audio entering via the external device connected to the monitor can be heard.
6. **Headphone terminal** Headphones (commercially available) can be connected here.
7. **Power button** Pressing this button turns the power on.
 Press the button again to turn the power off.
8. **Power LED** This LED is lit green when in use and orange when in power-saving mode.
9. **Main power switch**
10. **Power terminal**
11. **Audio input terminal** A computer's audio output terminal can be connected here. The audio cable included should be used.
12. **DVI-I input terminal [LL-171G]** The computer's digital RGB output terminal or analog RGB output terminal can be connected here.
 For a digital signal input: It can be connected to a computer with a DVI-compatible output terminal (DVI-D24 pin or DVI-I29 pin) and which has SXGA output ability. Depending on the computer to be connected, correct display may or may not be possible.
13. **Analog RGB input terminal** The analog signal cable is connected here. The analog signal cable included should be used.
14. **Security lock anchor** By connecting a security lock (commercially available) to the security lock anchor, the monitor is fixed so that it cannot be transported.
 The security slot works in conjunction with Kensington Micro Saver Security Systems.
15. **Ventilation openings** Never block the ventilation openings as this may lead to overheating inside the monitor and result in malfunction.

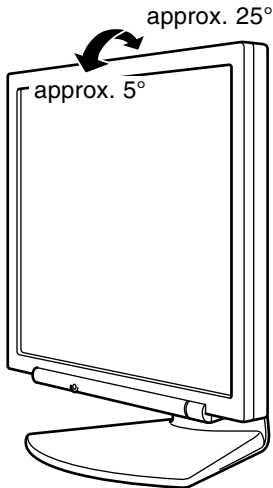
Angle adjustment, height adjustment

CAUTION!

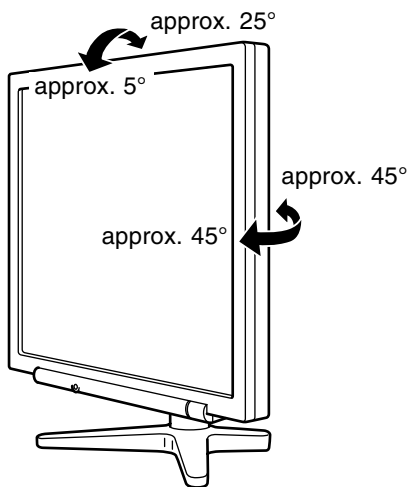
- Be sure to hold both sides of the monitor when adjusting the viewing angle. The LCD panel used in this monitor is made of glass. Pressure from hands on the LCD panel could cause damage.
- Be careful not to allow your fingers to be pinched.

Angle adjustment

[LL-171A]

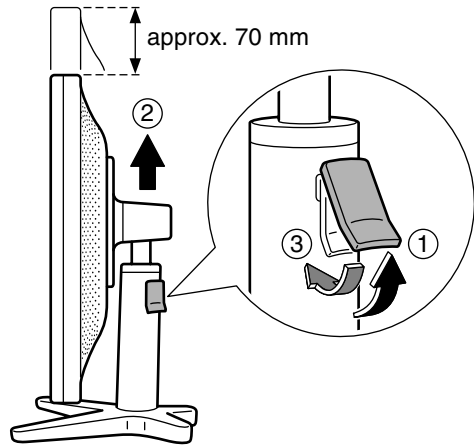


[LL-171G]



Height adjustment [LL-171G]

1. Release the lock.
2. Adjust the height of the stand.
3. Set the lock.



CAUTION!

- Be sure to release the lock before adjusting the height of the stand. Extending/contracting the stand when it's locked may result in damage to the product.
- Ensure that the stand is properly locked except while adjusting the height.

Connecting the monitor and turning the monitor on and off

CAUTION!

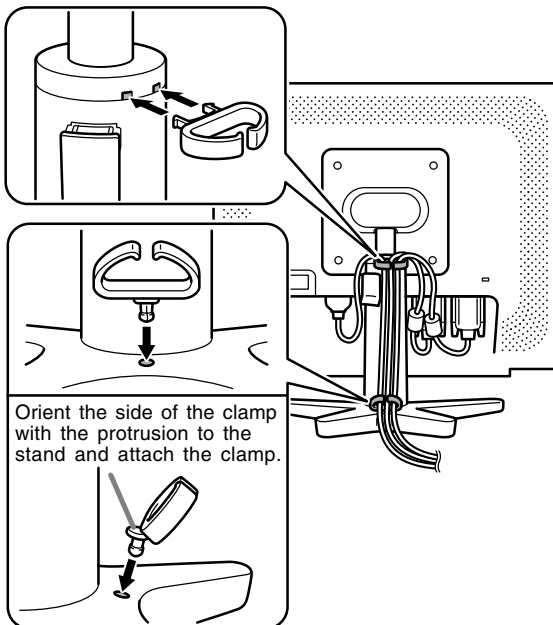
- When connecting, ensure that both the monitor and computer are switched off.
- Be careful not to over bend the cable or add extension cords as this could lead to a malfunction.

Securing the cables [LL-171G]

Use the supplied cable clamps to secure the cables connected to the terminals. The upper and lower cable clamps have different shapes. Check the shapes of the clamps before attaching them to the stand.

CAUTION!

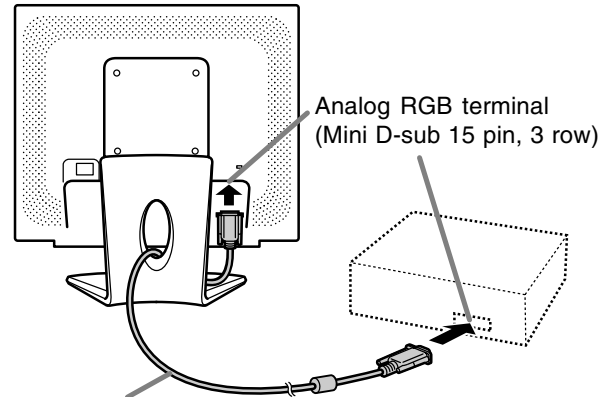
- When adjusting the viewing angle, cables may be pulled. Therefore, ensure that the cables have sufficient slack.



Connecting the monitor to a computer

Analog connection [LL-171A]

Connect the accessory analog signal cable to the analog RGB output terminal of the computer.



Analog signal cable

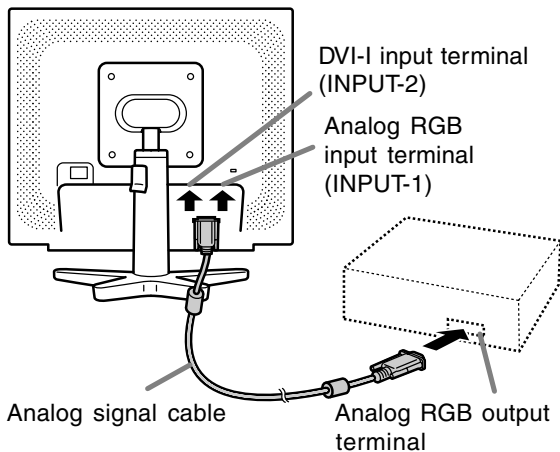
- Paying attention to connector direction, firmly insert the signal cable vertically into the connector, and then tighten the screws at both sides.

Connecting the monitor and turning the monitor on and off

Analog connection [LL-171G]

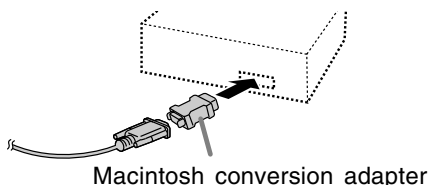
Connect the accessory analog signal cable, or separately-sold analog signal cable (model name: NL-C02E) to the analog RGB output terminal of the computer.

- Connect the accessory analog signal cable to the analog RGB input terminal (INPUT-1).
- Connect the separately-sold analog signal cable (model name: NL-C02E) to the DVI-I input terminal (INPUT-2).



- Paying attention to connector direction, firmly insert the signal cable vertically into the connector, and then tighten the screws at both sides.

If connecting to a D-sub15 pin 2 row Apple Power Macintosh, attach a Macintosh conversion adapter (commercially available) to the analog signal cable.



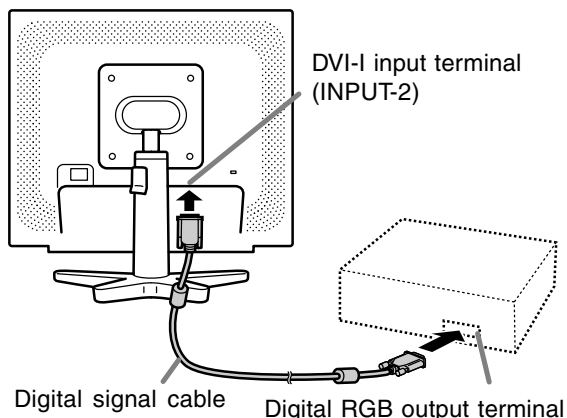
Note:

- If connecting to the Sun Ultra series, a conversion adapter (commercially available) may be required.

Digital connection [LL-171G]

Connect the accessory digital signal cable to the digital RGB output terminal of the computer.

- The monitor has an input for connecting to a computer with a DVI-compatible output connector (DVI-D24 pin or DVI-I29 pin) and SXGA output capability. (Depending on the type of computer to be connected, the display may not work correctly.)



- Paying attention to connector direction, firmly insert the signal cable vertically into the connector, and then tighten the screws at both sides.

Set the monitor as follows when establishing a digital connection with a Power Mac using an ADC-DVI adapter made by Belkin. (Operation has been checked with the Power Mac G4 M7627J/A.)

- Perform settings with the Power Mac power supply off.
1. After connecting the power cord, turn on the monitor's main power.
 2. Press the ◀ button and ▶ button simultaneously, and while doing this press the power button (i.e. turn the power on).



3. Set to [ON] with the ◀▶ buttons.
 - Do not set to [ON] if you are not using a Belkin ADC-DVI adapter, as this may result in incorrect display.
4. Press the MENU button.

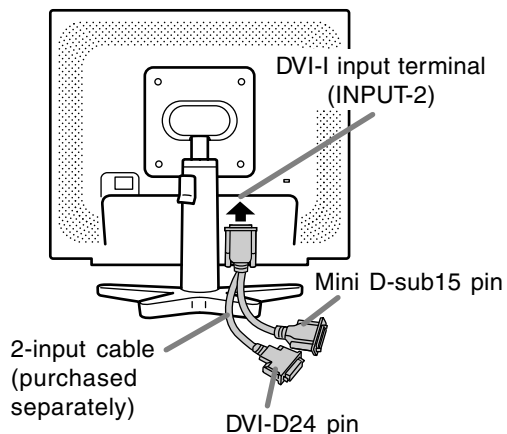
This completes setting.

Connecting the monitor and turning the monitor on and off

When connecting using a separately sold 2-input cable [LL-171G]

The separately sold 2-input cable (model name: NL-C03J) enables connection between the DVI-I input terminal on the monitor and the two computers. (One analog and one digital connection.)

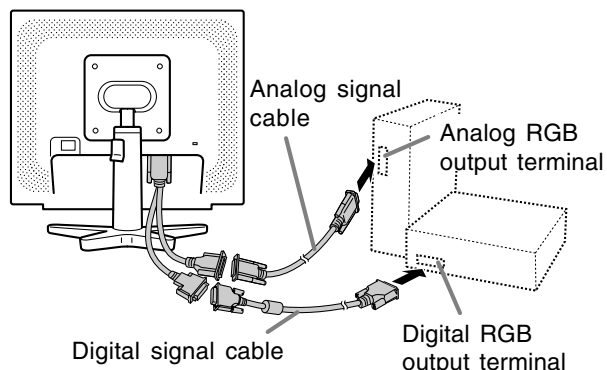
1. Connect the 2-input cable to the DVI-I input terminal of the monitor.



2. Connect the accessory or commercially available analog signal cable and the accessory digital signal cable to the 2-input cable.

- When using commercially available analog signal cable, both ends should be mini D-sub 15 pin.

3. Connect each signal cable to the computers.



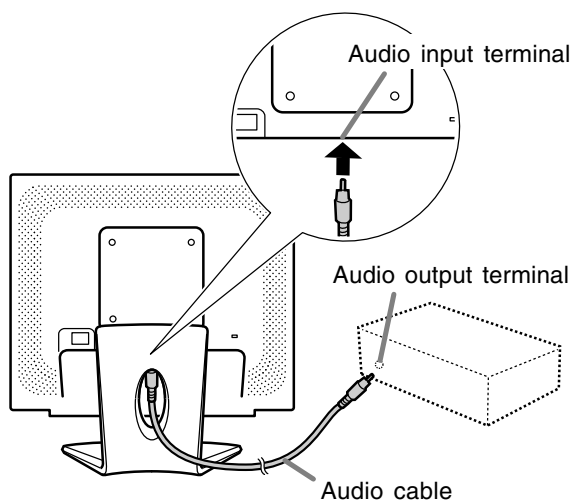
- Paying attention to connector direction, firmly insert the signal cable into the connector, and then tighten the screws at both sides.

Notes:

- When using the 2-input cable, set the connecting input terminal [INPUT-2] to [2LINES] under the MODE SELECT-2 Menu. (p.22)
- The monitor connected to the 2-input cable by analog connection may not be automatically recognized and setup under Plug & Play. Perform storage of setup information manually. (p.28)

Connect the accessory audio cable

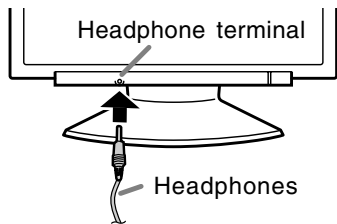
When the accessory audio cable is connected to the audio output terminal of the computer, the sound of the connected computer is output from the monitor speakers. You can also use the headphone jack of the display.



Connecting the monitor and turning the monitor on and off

Connection of headphones (commercially available)

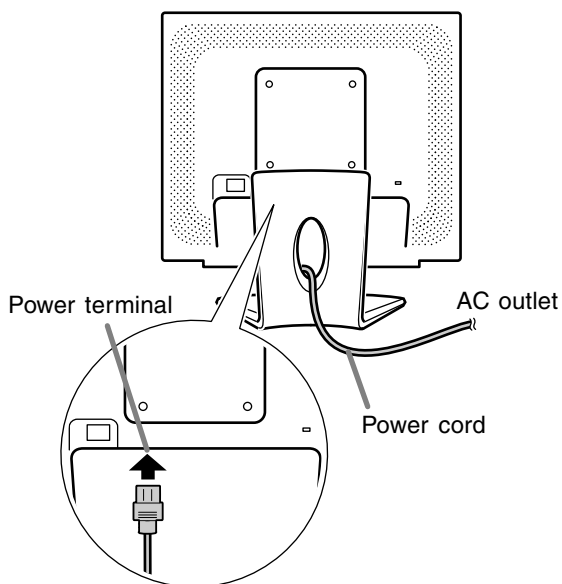
Headphones (commercially available) can be connected.



Note:

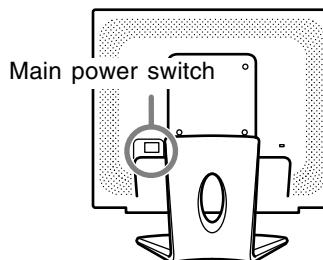
- When the headphones are connected, no sound can be heard from the monitor speakers.

Connecting the monitor to a power source



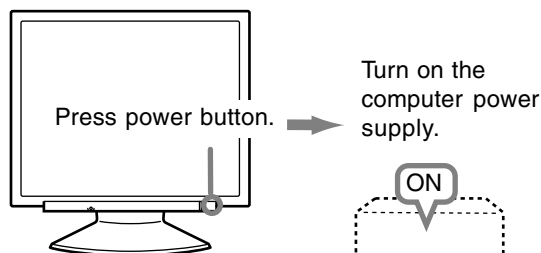
Turning the power on

1. Turn on the main power of the monitor.



- When switching the main power switch on and off, always wait for an interval of at least 5 seconds. Rapid switching may result in malfunction.

2. Press the monitor's power button.
3. Turn on the computer.



When a signal is input from the computer, the power LED lights up green, and the screen is displayed. (After power is turned on, it may take a little time until the screen is displayed.)

Note for LL-171G:

- If the input terminal to which the computer is connected has not been selected, the screen will not be displayed. If necessary, perform input terminal switching. (p.16)

Notes:

- When using an analog signal, perform an automatic screen adjustment under the following conditions (p.19):
 - Using the monitor for the first time.
 - After having changed the system settings during use.
- When using the LL-171G with a digital connection, automatic screen adjustment is unnecessary.
- Depending on the type of computer or OS, you may need to install the monitor set-up information on your system. (p.28)
- When connecting to a notebook, if the notebook computer's screen is set to display at the same time, the MS-DOS screen may not display properly. In this case, change the setting to display only the LCD monitor.

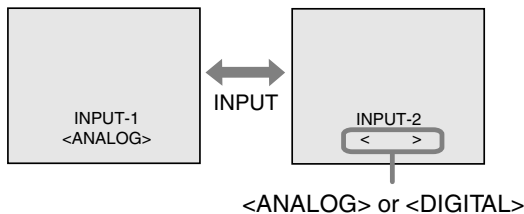
Connecting the monitor and turning the monitor on and off

Changing between input terminals

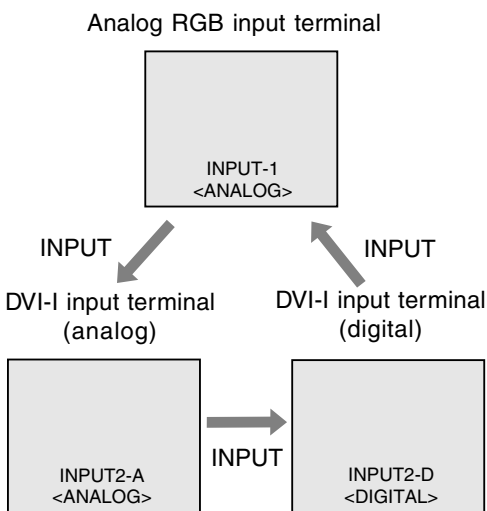
[LL-171G]

Use the INPUT button to switch between signal input terminals.

Analog RGB input terminal DVI-I input terminal



When using a 2-input cable

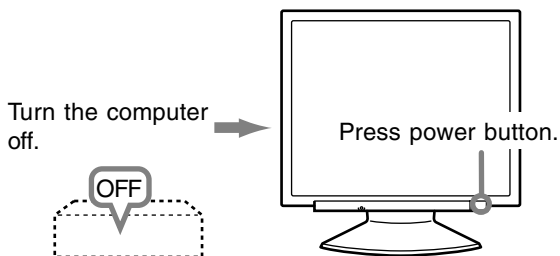


Note:

- When there is no input signal, [NO SIGNAL] is displayed.

Turning the power off

1. Turn the computer off.
2. Press the monitor's power button.
The power LED will disappear.



If the monitor will not be used for a long time, turn off the main power switch of the monitor, and remove the power plug from the outlet.

Adjusting the screen display and speaker volume

For analog signal

1. First perform an automatic adjustment. (p.19)
2. Perform manual adjustment where necessary. (p.20)

For digital signal [LL-171G]

The monitor can generally be used without adjustment. If necessary perform manual adjustment. (p.20)

Note:

- All adjustments will be saved even after turning the power off.

Resetting all adjustment values

All adjustment values can be returned to their original ex-factory values in one command.

1. Turn off the monitor power.
2. Press the MENU button and the ▼ / MODE button simultaneously, and while doing this press the power button (i.e. turn the power on). Continue to press the buttons until [ALL RESET] appears on the screen. Reset is complete when the displayed message disappears.

Notes:

- While [ALL RESET] is displayed, the control buttons are disabled.
- It is not possible to reset values when the adjustment lock is in place. Remove the adjustment lock before attempting to operate control buttons.

ADJUSTMENT Menu reset

Settings of items in the ADJUSTMENT Menu (CLOCK, PHASE, H-POS, V-POS) can be returned to their original ex-factory values.

1. Turn on the monitor power.
2. Press the MENU button and the ◀ button simultaneously. When [RESET] appears on the screen, the reset is complete.

Notes:

- While [RESET] is displayed, the control buttons are disabled.
- It is not possible to reset values when the adjustment lock is in place. Remove the adjustment lock before attempting to operate control buttons.

Adjustment lock function

By disabling the control buttons (i.e. setting the lock) any attempted changes to adjusted values will be voided.

1. Turn off the monitor power.
2. While pressing the MENU button, press the power button (i.e. turn the power on). Continue to press the buttons until [ADJUSTMENT LOCKED] appears on the screen. The lock is set when the message is displayed.

Note:

- When the lock is in place, all buttons other than the power button are disabled.

Adjustment lock release

1. Turn off the monitor power.
2. While pressing the MENU button, press the power button (i.e. turn the power on). Continue to press the buttons until [ADJUSTMENT UNLOCKED] appears on the screen. The lock is released when the message is displayed.

Adjusting the backlight

1. Without the OSD Menu being displayed, press the ◀ or the ▶ button.
2. Check that [BRIGHT] is selected. If it is not selected, press the ▼ / MODE button and select [BRIGHT].



3. Adjust by pressing the ◀ button (darker) or ▶ button (lighter).

Note:

- On Screen display for adjustment disappears several seconds after the last operation.

Adjusting the screen display and speaker volume

Adjusting the speaker volume

1. Without the OSD Menu being displayed, press the ◀ or the ▶ button.
2. Check that [VOLUME] is selected.
If it is not selected, press the ▼ / MODE button and select [VOLUME].



3. Adjust by pressing the ◀ button (decrease) or ▶ button (increase).

Note:

- On Screen display for adjustment disappears several seconds after the last operation.

Setting display mode

Color tone or brightness can be changed with one command.

STD

Displays image with the color tone results from original scheme of liquid crystal panel.

OFFICE

Display brightness is lowered. (This mode saves power.)

sRGB

sRGB is international standard of color representation specified by IEC (International Electrotechnical Commission).

Color conversion is made in taking account of liquid crystal's characteristics and represents color tone close to its original image.

VIVID

Displays an image with dynamic and vivid primary colors.

- If [DISPLAY MODE] is set to [sRGB] or [VIVID], [WHITE BALANCE] is set to [STD], and [GAMMA] is set to [0].

How to set

Press the ▼ / MODE button when the OSD Menu is not displayed.

Each time the button is pressed the next menu item appears. (STD → OFFICE → sRGB → VIVID → STD)

On Screen display for adjustment disappears several seconds after the last operation.

Checking product information

A model name (MODEL), a serial no. (S/N), and usage time (USAGE TIME) of the monitor can be checked.

1. Turn the power off.
2. While pressing the ▼ / MODE button, press the monitor's power button (i.e. turn the power on).
The product information will display.
3. Press the MENU button.

Note:

- Please note that the indication of usage time at purchase may not be 0 (zero), as a result of factory inspection and other activities during manufacture.

Adjusting the screen display

Automatic screen adjustment (When using an analog signal)

Options in the ADJUSTMENT Menu can be adjusted automatically (CLOCK, PHASE, H-POS, V-POS).

Notes:

- When setting up this monitor for the first time or after having changed an aspect of the current system, perform an automatic screen adjustment before use.
- Automatic screen adjustment is unnecessary when the LL-171G is used with a digital connection. Perform manual screen adjustment when necessary. (p.20)

Screen display for adjustment

First display an image that makes the entire screen light.

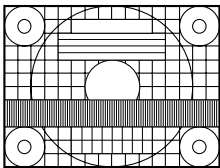
If you are using Windows, you can use the Adjustment Pattern on the accompanying CD-ROM.

Opening the Adjustment Pattern (for Windows)

This explanation is for Windows 95/98/2000/Me/XP, and assumes that the CD-ROM drive is "D" drive.

1. Load the accessory CD-ROM into the CD-ROM drive of the computer.
2. Open [My Computer] and select CD-ROM. If using Windows 3.1, open [File Manager] and choose "D" drive.
3. Double click on [Adj_uty.exe] to run the Adjustment Program. The Adjustment Pattern will appear.

Adjustment Pattern



After completing the adjustments, press the computer's [Esc] key to exit the Adjustment Program.

Note:

- If your computer's display mode is set to 65K colors, you may see the different color levels in each color pattern or the gray scale may look colored. (This is due to the specification of the input signal and is not a malfunction.)

Adjusting the screen automatically

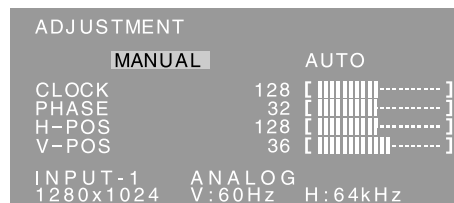
Automatic adjustment can be performed using either the AUTO button or the MENU button.

AUTO button [LL-171A]

1. Press the AUTO button.
2. Press the AUTO button again.
[ADJUSTING] will appear on the screen, and after a few seconds [ADJUSTING] will disappear. (The automatic adjustment is now complete.)

MENU button

1. Press the MENU button.
The ADJUSTMENT Menu will be displayed. (Example: Displayed screen of the LL-171G)



2. Press the ► button.
The screen will become dark and [ADJUSTING] will be displayed. After a few seconds the ADJUSTMENT Menu will return. (The automatic adjustment is now complete.)
3. Press the MENU button 5 times to make the OSD (On Screen Display) Menu disappear.

Notes:

- In most cases automatic adjustment is sufficient.
- It may not be possible to achieve correct adjustment with the first automatic adjustment. In such a case, try repeating the automatic adjustment 2 or 3 times.
- If necessary due to any of the following, manual adjustments (p.20) can be performed after the automatic adjustment.
 - When further fine adjustment is needed.
 - When [OUT OF ADJUST] is displayed. (When the screen displays an entirely dark image, the automatic screen adjustment may be disabled. When making an automatic adjustment, be sure to either use the Adjustment Pattern or try displaying an image that makes the entire screen very bright.)
 - When the computer's video input signals are Composite Sync or Sync on Green. (Automatic adjustments may not be possible.)
- Automatic adjustment may not be achieved correctly depending on what is displayed on the screen - moving pictures or the MS-DOS prompt etc.

Adjusting the screen display

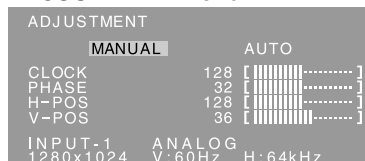
Manual screen adjustment

1. Display an image that makes the entire screen light. (p.19)

2. Display the OSD Menu by pressing the MENU button.

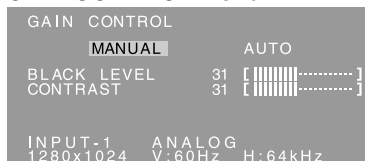
(Example: Displayed screen of the LL-171G)

ADJUSTMENT Menu



↓ MENU

GAIN CONTROL Menu



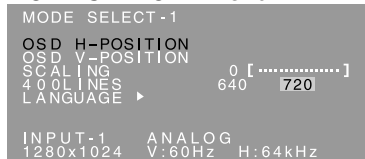
↓ MENU

COLOR CONTROL Menu



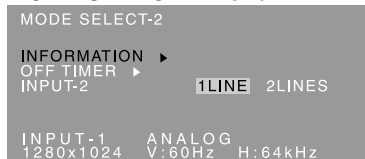
↓ MENU

MODE SELECT-1 Menu



↓ MENU

MODE SELECT-2 Menu



↓ MENU

The OSD Menu closes.

Select the option by pressing the ▼ / MODE button.

Select the option by pressing the ▼ / MODE button.

Select the option by pressing the ▼ / MODE button.

Select the option by pressing the ▼ / MODE button.

Select the option by pressing the ▼ / MODE button.

ADJUSTMENT Menu

When the LL-171G is used with a digital connection, this menu adjustment is not necessary.

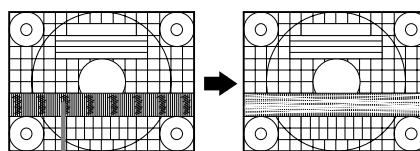
AUTO

When [AUTO] is selected with the ▶ button, the [CLOCK], [PHASE], [H-POS] and [V-POS] settings are automatically adjusted.

CLOCK

The figure below demonstrates how to adjust so that vertical flicker noise is not emitted.

(◀▶ buttons)



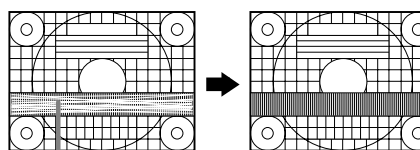
PHASE

The figure below demonstrates how to adjust so that horizontal flicker noise is not emitted.

(◀▶ buttons)

Note:

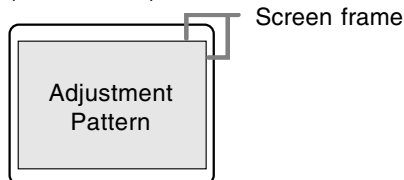
- Adjustments to [PHASE] should be made only after [CLOCK] has been correctly set.



H-POS (horizontal positioning) and V-POS (vertical positioning)

To center the Adjustment Pattern within the boundaries of the screen, adjust the left-right (H-POS) values and the up-down (V-POS) values.

(◀▶ buttons)



Notes:

- When the LL-171G is used with a digital connection, ADJUSTMENT and GAIN CONTROL Menu adjustments are not necessary.
- The OSD Menu automatically disappears approximately 30 seconds after the last command.
- This chapter provides the procedure how to adjust the screen by using Adjustment Pattern (for Windows).

Adjusting the screen display

GAIN CONTROL Menu

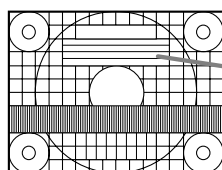
When the LL-171G is used with a digital connection, this menu adjustment is not necessary.

AUTO

When [AUTO] is selected with the ► button, the [BLACK LEVEL] and [CONTRAST] settings are automatically adjusted. After the automatic adjustment, perform manual adjustment when necessary.

BLACK LEVEL

Total screen brightness can be adjusted while watching the color pattern. (◀▶ buttons)



Color pattern

CONTRAST

While watching the color pattern, adjustments can be made so that all gradations appear.

(◀▶ buttons)

Notes:

AUTO (Auto Gain Control function)

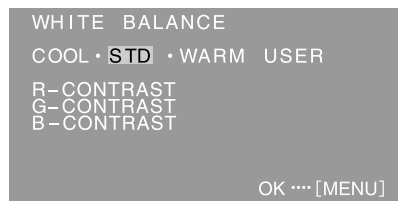
- The Auto Gain Control adjusts contrast and black level based on the brightest and darkest colors of the image displayed.
- If you are not using the Adjustment Pattern it is necessary to have black area and white area of at least 5 mm x 5 mm on the screen. Adjustment may not be possible without those areas.
- If the signal coming from the computer is Composite Sync or Sync on Green, automatic adjustment cannot be performed. Please perform manual adjustment instead.
- If [OUT OF ADJUST] is displayed, perform manual adjustment.

COLOR CONTROL Menu

WHITE BALANCE

1. After selecting [WHITE BALANCE], press the ► button.

The WHITE BALANCE menu will be displayed.



2. Use the ◀▶ buttons to select [COOL], [·], [STD], [·], [WARM] or [USER].

COOL ... Color tone bluer than standard

- Color tone slightly bluer than standard

STD Color tone standard setting

- Color tone slightly redder than standard

WARM .. Color tone redder than standard

USER

- Selecting [USER] will display the setting values for [R-CONTRAST], [G-CONTRAST] and [B-CONTRAST], in order to make fine adjustments.

- Use the ▼ / MODE button to select [R-CONTRAST], [G-CONTRAST] and [B-CONTRAST].

R-CONTRAST ◀ button for blue-green
▶ button for red

G-CONTRAST ◀ button for purple
▶ button for green

B-CONTRAST ◀ button for yellow
▶ button for blue

3. Press the MENU button.

Notes:

- On settings other than [STD] not all gradations can be displayed. To display all gradations, set to [STD].
- If [DISPLAY MODE] is set to [sRGB] or [VIVID], no other setting than [STD] can be selected.

GAMMA

Adjust so that dark and bright images are easy to see. If the screen is dark and hard to see, increase the numerical value. If it is bright and hard to see, lower the numerical value. (◀▶ buttons)

- If [DISPLAY MODE] is set to [sRGB] or [VIVID], [GAMMA] can not be set.

Adjusting the screen display

MODE SELECT-1 Menu

Note:

- Depending on the resolution of the input signal, even if menu options can be selected, the display may not change.

OSD H-POSITION (OSD horizontal position)

The position of the OSD Menu can be moved to the left and right. (◀▶ buttons)

OSD V-POSITION (OSD vertical position)

The position of the OSD Menu can be moved up and down. (◀▶ buttons)

SCALING (Level of scaling)

The sharpness of the image can be adjusted. (◀▶ buttons)

Note:

- When the display mode is set to less than 1280 x 1024 pixels, the display is enlarged to cover the whole screen (i.e. the side ratio of the display may change).

400LINES (degree of resolution)

(When using an analog signal)

You can specify the horizontal resolution of a 400-line screen when using US text, etc. (◀▶ buttons)

640: 640 x 400 dot mode

720: 720 x 400 dot mode (US text etc.)

Note:

- As the resolution input for other than 400 lines is done automatically, there is no need to set it.

LANGUAGE

You can choose the language used in OSD Menu.

1. Press the ▶ button.

The Language Selection Menu will be displayed on the screen.

2. Use the ▼ / MODE button to choose a language.

3. Press the MENU button.

MODE SELECT-2 Menu

INFORMATION

A model name (MODEL), a serial no. (S/N), and usage time (USAGE TIME) of the monitor can be checked.

1. After selecting [INFORMATION], press the ▶ button.

The product information will display.

2. Press the MENU button.

OFF TIMER

Power is automatically shut off when the set time elapses.

1. After selecting [OFF TIMER], press the ▶ button.

2. Set [ON]/[OFF] by pressing the ◀▶ buttons.

If selecting [ON], press the ▼ / MODE button and set the shut-off time by pressing the ◀▶ buttons. (Between 1 and 23 hours may be set, by the hour.)

3. Press the MENU button.

- When [ON] is selected, the remaining time is displayed in the upper right of the screen during the last 5 minutes before the shut-off. (The remaining time is displayed for approx. 5 seconds, on each minute.)

- If the power button is pressed after the first display of the remaining time but before the power shuts off, the OFF TIMER will be set to one hour.

To subsequently turn the power off, press the power button again. (When next turning on power, power is again automatically shut off when the set time elapses.)

- If the monitor is turned on when the [OFF TIMER] is set to [ON], the set time appears on the display for several seconds. (If there is no input signal, [NO SIGNAL] is displayed.)

INPUT-2 [LL-171G]

Set [1LINE] when connecting digital or analog signal cables to a DVI-I input terminal (INPUT-2) on the display.

Set [2LINES] when connecting a 2-input cable.

(◀▶ buttons)

- If the connections and settings are not correctly set, the screen will not be correctly displayed.

Monitor care

Always remove the plug from the AC outlet when cleaning the monitor.

Cabinet and control panel section

Use a soft dry cloth to lightly wipe away any grime from the cabinet and control panel.

If they are very dirty, apply neutral detergent to a dampened soft cloth, wring it out well and wipe away grime.

LCD panel section

Use a soft dry cloth to lightly wipe away dirt and dust from the surface of the LCD panel. (A soft cloth such as gauze or that used for lens cleaning is suitable.)

CAUTION!

- Never use thinner, benzine, alcohol, glass cleaner, etc, as this could lead to color change or change in shape.
- Never scratch the monitor with anything hard or apply strong pressure as this could leave marks or result in malfunction.

Storage

If the monitor will not be used for a long period of time, be sure to remove the power plug from the AC outlet.

CAUTION!

- Do not leave the monitor in contact with rubber or plastic items for long periods of time as this could lead to color change or change in shape.

Troubleshooting

If you think the monitor may be faulty, please check the following points before taking it to be repaired. If afterwards it still does not work, please contact the shop where you purchased the monitor or your nearest Sharp authorized Service Center.

The monitor's fluorescent tubes have a limited life span.

- If the screen darkens, persistently flickers or does not light up, the fluorescent tube has reached the end of its operational life span. Please inquire at the shop where you purchased the monitor or your nearest Sharp authorized Service Center.
- In the initial period of use, due to the characteristics of fluorescent tubes the screen may flicker. (This is not a malfunction.) Should this happen, check by first turning off the power, then turning it on again.

No image appears on the screen (power LED is not lit).

- Is the power cord connected properly? (p.15)
- No image appears on the screen** (power LED is lit).
- Is the computer connected properly? (p.12,13,14)
- Is the computer turned on?
- If using the LL-171G, confirm that the signal's input terminal is selected correctly. (p.16)
- If using the LL-171G, confirm that [INPUT-2] is set correctly in the MODE SELECT-2 Menu. (p.22)
- Does the computer's signal timing correspond to monitor specifications? (p.26)
- Is the computer in power-saving mode?

Control buttons do not work.

- Is the adjustment lock on? (p.17)

The image appears distorted.

- Does the computer's signal timing correspond to monitor specifications? (p.26)
- If you are using the analog signal, perform automatic screen adjustment. (p.19)
- If you can change the refresh rate on the computer you are using, change the value to a lower frequency. (p.26)

No sound can be heard from the speakers.

- Is the audio cable connected correctly? (p.14)
- Perform the volume adjustment procedure. (p.18)
- Are the headphones connected?
- There is no sound from the speakers when the monitor is in power-saving mode (the power LED lights up orange).

Specifications

Product specifications

Model name

LL-171A-W (White)/LL-171A-B (Black)
LL-171G-W (White)/LL-171G-B (Black)

LCD display

43 cm measured diagonally TFT LCD module

Resolution (max.)

SXGA 1280 x 1024 pixels

Displayable colors (max.)

Approx. 16.19 million colors (6 bit + FRC)

Brightness (max.)

250 cd/m²

Dot pitch

0.264 (H) x 0.264 (V) mm

Contrast ratio

430:1

Angle of visibility

Left-right 170°; up-down 150°
(contrast ratio > 5)

Screen display size

Horizontal 337.9 mm x Vertical 270.3 mm

Video signal

[LL-171A] Analog RGB (0.7 Vp-p) [75Ω]

[LL-171G] Analog: Analog RGB (0.7 Vp-p) [75Ω]

Digital: DVI standard based on 1.0

Sync signal

Separate Sync (TTL level: +/-), Sync on
Green, Composite Sync (TTL level: +/-)

Expansion compensation

Digital scaling (Enlarges VGA/SVGA/XGA etc. to
full screen size.)

Plug & Play

VESA DDC2B compatible

Power management

[LL-171A] VESA: based on DPMS

[LL-171G] VESA: based on DPMS

DVI: based on DMPM

Speaker output

1 W + 1 W

Input signal terminal

[LL-171A] Mini D-sub15 pin (3 row)

[LL-171G] Analog: Mini D-sub15 pin (3 row)

Digital/Analog: DVI-I29 pin

Audio input terminal

Mini stereo jack

Headphone terminal

Mini stereo jack

Height adjustment [LL-171G]

Adjustment range: approx. 70 mm

Screen tilt

Upward approx. 0 - 25°; downward approx. 0 - 5°

Screen swivel [LL-171G]

Approx. 45° from the center to the left and
approx. 45° from the center to the right.

Power supply

AC100 - 240 V, 50/60 Hz

Temperature of operating environment

5 - 35°C

Power consumption

30 W (with no audio input)

(35 W maximum, 1 W when in power-saving
mode)

Dimensions

[LL-171A]

Approx. 374 (W) x 205 (D) x 374 (H) mm

[LL-171G]

Approx. 374 (W) x 236 (D) x 368 - 438 (H) mm

Weight

[LL-171A]

Approx. 6.0 kg (approx. 4.2 kg excluding stand)
(Excluding cables.)

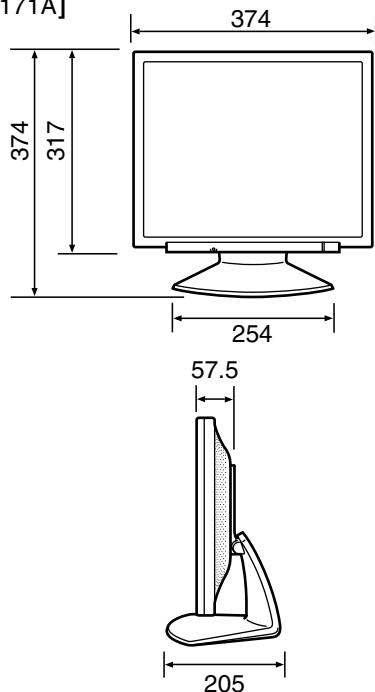
[LL-171G]

Approx. 5.6 kg (approx. 4.2 kg excluding stand)
(Excluding cables.)

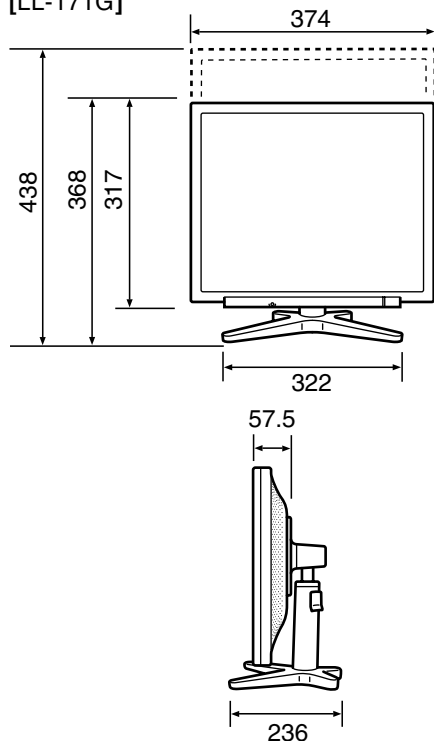
Specifications

Dimensions (Units: mm)

[LL-171A]



[LL-171G]



- Analog signal cable: approx. 1.8 m
- Audio cable: approx. 1.8 m

[LL-171G]

- Digital signal cable: approx. 1.8 m
- Analog signal cable, NL-C02E (purchased separately): approx. 2.0 m
- 2-input cable, NL-C03J (purchased separately): approx. 0.25 m

Note:

- As a part of our policy of continuous improvement, SHARP reserves the right to make design and specification changes for product improvement without prior notice. The performance specification figures indicated are nominal values of production units. There may be some deviations from these values in individual units.

Specifications

Relevant signal timings (analog)

Display mode		Hsync	Vsync	Dot frequency
VESA	640x480	31.5kHz	60Hz	25.175MHz
		37.9kHz	72Hz	31.5MHz
		37.5kHz	75Hz	31.5MHz
	800x600	35.1kHz	56Hz	36.0MHz
		37.9kHz	60Hz	40.0MHz
		48.1kHz	72Hz	50.0MHz
		46.9kHz	75Hz	49.5MHz
	1024x768	48.4kHz	60Hz	65.0MHz
		56.5kHz	70Hz	75.0MHz
		60.0kHz	75Hz	78.75MHz
	1152x864	67.5kHz	75Hz	108.0MHz
	1280x960	60.0kHz	60Hz	108.0MHz
1280x1024	64.0kHz	60Hz	108.0MHz	
	80.0kHz	75Hz	135.0MHz	
US text	720x400	31.5kHz	70Hz	28.3MHz
Power Macintosh series	640x480	35.0kHz	66.7Hz	30.2MHz
	832x624	49.7kHz	74.6Hz	57.3MHz
	1024x768	60.2kHz	75Hz	80.0MHz
	1152x870	68.7kHz	75Hz	100.0MHz
	1280x1024	64.0kHz	60Hz	108.0MHz
80.0kHz		75Hz	135.0MHz	
Sun Ultra series	1024x768	48.3kHz	60Hz	64.13MHz
		53.6kHz	66Hz	70.4MHz
		56.6kHz	70Hz	74.25MHz
	1152x900	61.8kHz	66Hz	94.88MHz
		71.8kHz	76.2Hz	108.23MHz
	1280x1024	71.7kHz	67.2Hz	117.01MHz
81.1kHz		76Hz	134.99MHz	

- Recommended resolution is 1280 x 1024.
- All are compliant only with non-interlaced.
- Frequencies for Power Macintosh and the Sun Ultra series are reference values. To connect, another adapter (commercially available) may be required.
- If the monitor is receiving timing signals that are not compatible, [OUT OF TIMING] will appear. Follow your computer's instruction manual to set the timing so that it is compatible with the monitor.
- If the monitor is not receiving any signal (synch signal), [NO SIGNAL] will appear.

Relevant signal timings (digital) [LL-171G]

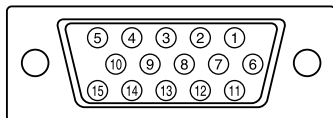
Display mode		Hsync	Vsync	Dot frequency
VESA	640x480	31.5kHz	60Hz	25.175MHz
		37.9kHz	72Hz	31.5MHz
		37.5kHz	75Hz	31.5MHz
	800x600	37.9kHz	60Hz	40.0MHz
		48.1kHz	72Hz	50.0MHz
		46.9kHz	75Hz	49.5MHz
		1024x768	48.4kHz	60Hz
	56.5kHz		70Hz	75.0MHz
	60.0kHz		75Hz	78.75MHz
	1152x864	67.5kHz	75Hz	108.0MHz
	1280x960	60.0kHz	60Hz	108.0MHz
1280x1024	64.0kHz	60Hz	108.0MHz	
US text	720x400	31.5kHz	70Hz	28.3MHz

- Recommended resolution is 1280 x 1024.
- All are compliant only with non-interlaced.
- A computer with an output terminal conforming to DVI (DVI-D24 pin or DVI-I29 pin) and with SXGA output capability can be connected here. (Depending on the type of computer to be connected, the display may not work correctly.)
- If the monitor is receiving timing signals that are not compatible, [OUT OF TIMING] will appear. Follow your computer's instruction manual to set the timing so that it is compatible with the monitor.
- If the monitor is not receiving any signal (synch signal), [NO SIGNAL] will appear.

Specifications

The analog RGB input connector pin

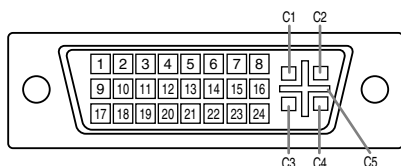
(Mini D-sub connector with 15 pins)



No.	Function
1	Red video signal input
2	Green video signal input
3	Blue video signal input
4	GND
5	GND
6	For red video signal GND
7	For green video signal GND
8	For blue video signal GND
9	+5V
10	GND
11	GND
12	DDC data
13	For Hsync signal input
14	For Vsync signal input
15	DDC clock

The DVI-I input connector pin [LL-171G]

(DVI-I connector with 29 pins)



No.	Function	No.	Function
1	TMDS data 2-	16	Hot plug detection
2	TMDS data 2+	17	TMDS data 0-
3	TMDS data 2/4 shield	18	TMDS data 0+
4	N.C.	19	TMDS data 0/5 shield
5	N.C.	20	N.C.
6	DDC clock	21	N.C.
7	DDC data	22	TMDS clock shield
8	Analog vertically synchronised signal	23	TMDS clock +
9	TMDS data 1-	24	TMDS clock -
10	TMDS data 1+	C1	Analogue red image signal
11	TMDS data 1/3 shield	C2	Analogue green image signal
12	N.C.	C3	Analogue blue image signal
13	N.C.	C4	Analogue horizontally synchronised signal
14	+5V	C5	Analogue GND
15	GND		

Power management

The LL-171A is based on VESA DPMS. The LL-171G is based on both VESA DPMS and DVI DMPM. To activate the power management function, the video card and the computer used with it must also conform to these standards.

DPMS: Display Power Management Signalling

DPMS mode	Screen	Power consumption	H-sync	V-sync
ON	Display on	35 W	Yes	Yes
STANDBY	Display off	1 W	No	Yes
SUSPEND			Yes	No
OFF			No	No

DMPM: Digital Monitor Power Management [LL-171G]

DMPM mode	Screen	Power consumption
ON	Display on	35 W
OFF	Display off	1 W

DDC (Plug & Play)

This monitor supports the VESA DDC (Display Data Channel) standard. DDC is a signal standard for carrying out Plug & Play functions on the monitor or computer. It transfers information such as degree of resolution between the monitor and computer. You can use this function if your computer is DDC compliant and if it is set so that it can detect the Plug & Play monitor.

There are many varieties of DDC due to the differences between systems. This monitor works with DDC2B.

Installing set-up information and the ICC profile (For Windows)

Depending on the type of computer or OS, you may need to install the monitor set-up information on your system. If so, follow the steps below to install the monitor set-up information. (Depending on the type of computer or OS, command names and methods may differ. Please follow the computer's own operation manual while reading this.)

About the ICC profile

An ICC (International Color Consortium) profile is a file that describes the color reproduction characteristics of the LCD monitor. Using an application compatible with an ICC profile, highly accurate color reproduction can be realized.

- Windows 98/2000/Me/XP all use the ICC profile.
- When installing Windows 98/2000/Me/XP set-up information (described below), the ICC profile is also installed. If you would like to install the ICC profile only, please refer to **Installing the ICC profile** on page 30.
- When using the ICC profile, set as follows:
 - [DISPLAY MODE]: [STD] or [OFFICE]
 - [WHITE BALANCE]: [STD]
 - [GAMMA]: [0]

For Windows 95

Installing monitor set-up information into Windows 95.

This explanation assumes that the CD-ROM drive is "D" drive.

1. Load the accessory CD-ROM into the CD-ROM drive of the computer.
2. Click on the [Start] button. From [Settings], choose [Control Panel].
3. Double click on [Display].
4. Click on [Settings], [Advanced Properties], and [Monitor], then [Change].
5. Click on [Have disk], confirm that [Copy manufacturer's files from:] is [D:] then click [OK].
6. Confirm that the monitor details are selected, and click [OK].
7. Check that the monitor details are displayed, then click [Apply].
8. Click [OK], and close the window.

For Windows 98

Installing monitor set-up information into Windows 98, and setting the monitor's ICC profile as a predetermined value.

This explanation assumes that the CD-ROM drive is "D" drive.

If the "Add New Hardware Wizard" has appeared:

1. Load the accessory CD-ROM into the CD-ROM drive of the computer.
2. Click [Next].
3. Check [Display a list of all the drivers in a specific location, so you can select the driver you want.], then click [Next].
4. When [Models] is displayed, click on [Have disk], confirm that [Copy manufacturer's files from:] is [D:], and click [OK].
5. Confirm that the monitor details are selected, then click [Next], [Next], and [Finish]. If the "Add New Hardware Wizard" appears, repeat the installation commands beginning from 2 above.

If the "Add New Hardware Wizard" has not appeared:

1. Load the accessory CD-ROM into the CD-ROM drive of the computer.
2. Click on the [Start] button. From [Settings], choose [Control Panel].
3. Double click on [Display].
4. Click on [Settings], [Advanced] and [Monitor].
5. In [Options], check [Automatically detect Plug & Play monitors] and click on [Change].
6. Click [Next].
7. Click on [Display a list of all the drivers in a specific location, so you can select the driver you want.], then click [Next].
8. When [Models] is displayed, click on [Have disk], confirm that [Copy manufacturer's files from:] is [D:], and click [OK].
9. Confirm that the monitor details are selected, then click [Next], [Next], and [Finish].
10. Check that the monitor details are displayed, then click [Apply].
11. Click [OK], and close the window.

Installing set-up information and the ICC profile (For Windows)

For Windows 2000

Installing monitor set-up information into Windows 2000, and setting the monitor's ICC profile as a predetermined value. This explanation assumes that the CD-ROM drive is "D" drive.

1. Load the accessory CD-ROM into the CD-ROM drive of the computer.
2. Click on the [Start] button. From [Settings], choose [Control Panel].
3. Double click on [Display].
4. Click on [Settings], [Advanced] and [Monitor].
5. Click on [Properties], [Driver] and [Update Driver].
6. When [Upgrade Device Driver Wizard] appears, click [Next].
7. Check [Display a list of the known drivers for this device so that I can choose a specific driver] and click [Next].
8. When [Models] is displayed, click on [Have disk], confirm that [Copy manufacturer's files from:] is [D:], and click [OK].
9. Select the monitor from the list displayed and click [Next].
10. Click [Next], confirm that the monitor's name appears on the screen, and click [Finish]. If [The Digital Signature Not Found] appears, click [Yes].
11. Click on [Close].
12. Click [OK], and close the window.

For Windows Me

Installing monitor set-up information into Windows Me, and setting the monitor's ICC profile as a predetermined value. This explanation assumes that the CD-ROM drive is "D" drive.

- If the "Add New Hardware Wizard" has appeared:
1. Load the accessory CD-ROM into the CD-ROM drive of the computer.
 2. Check [Specify the location of the driver [Advanced]] and click [Next].
 3. Check [Display a list of all the drivers in a specific location, so you can select the driver you want.], then click [Next].
 4. When [Models] is displayed, click on [Have disk], confirm that [Copy manufacturer's files from:] is [D:], and click [OK].
 5. Select the monitor details from the list, then click [Next], [Next], and [Finish]. If the "Add New Hardware Wizard" appears, repeat the installation commands beginning from 2 above.

If the "Add New Hardware Wizard" has not appeared:

1. Load the accessory CD-ROM into the CD-ROM drive of the computer.
2. Click on the [Start] button. From [Settings], choose [Control Panel].
3. Double click on [Display].
4. Click on [Settings], [Advanced] and [Monitor].
5. In [Options], check [Automatically detect Plug & Play monitors] and click on [Change].
6. Check [Specify the location of the driver [Advanced]] and click [Next].
7. Check [Display a list of all the drivers in a specific location, so you can select the driver you want.] and click [Next].
8. When [Models] is displayed, click on [Have disk], confirm that [Copy manufacturer's files from:] is [D:], and click [OK].
9. Select the monitor details, then click [Next], [Next], and [Finish].
10. Check that the monitor details are displayed, then click [Apply].
11. Click [OK], and close the window.

Installing set-up information and the ICC profile (For Windows)

For Windows XP

Installing monitor set-up information into Windows XP, and setting the monitor's ICC profile as a predetermined value.

This explanation assumes that the CD-ROM drive is "D" drive.

1. Load the accessory CD-ROM into the CD-ROM drive of the computer.
2. Click on the [Start] button. Choose [Control Panel].
3. Switch to "Classic View".
4. Double click on [Display].
5. Click on [Settings], [Advanced] and [Monitor].
6. Click on [Properties], [Driver] and [Update Driver].
7. When [Hardware Update Wizard] appears, check [Install from a list or specific location [Advanced]] and click [Next].
8. Check [Don't search. I will choose the driver to install.] and click [Next].
9. Click on [Have Disk], confirm that [Copy manufacturer's files from:] is [D:], and click [OK].
10. Select the monitor from the list displayed and click [Next].
If [has not passed Windows Logo testing...] appears, click [Continue Anyway].
11. Confirm that the monitor's name appears on the screen.
12. Click on [Finish].
13. Click on [Close].
14. Click [OK], and close the window.

Installing the ICC profile

Installing the monitor's ICC profile. (If the set-up information has already been installed, so too has the profile, and there is no need to install it.)

This explanation assumes that the CD-ROM drive is "D" drive.

1. Load the accessory CD-ROM into the CD-ROM drive of the computer.
 2. Click on the [Start] button. From [Settings], choose [Control Panel].
 3. Double click on [Display].
 4. Click on [Settings] and [Advanced].
 5. Click on [General] and from [Compatibility] select [Apply the new display setting without restarting], then click on [Color Management].
 6. Click [Add], and select CD-ROM as the file location.
 7. Choose the color profile that you would like to install, and click on [Add].
 8. Choose the profile and click on [Set As Default].
 9. Click [OK], and close the window.
- When using the ICC profile, set as follows:
 - [DISPLAY MODE]: [STD] or [OFFICE]
 - [WHITE BALANCE]: [STD]
 - [GAMMA]: [0]

Information about the ColorSync profile (For MacOS)

About the ColorSync profile

ColorSync is Apple Computer's color management system and enables color reproduction characteristics to be realized when used with a compatible application. A ColorSync profile describes the color characteristics of the LCD monitor.

Notes:

- This monitor's ColorSync profile works with MacOS 8.5 or above.
- When using the ColorSync profile, set as follows:
 - [DISPLAY MODE]: [STD] or [OFFICE]
 - [WHITE BALANCE]: [STD]
 - [GAMMA]: [0]

Setting up the ColorSync profile

Notes:

- It is necessary to have **PC Exchange** or **File Exchange** installed in your system.
 - Depending on the type of computer or OS, command names and methods may differ. Please follow the computer's own operation manual while reading this.
1. Load the accessory CD-ROM into the CD-ROM drive of the computer.
 2. Copy the profile to be used from the CD-ROM to the ColorSync profile folder in the system folder.
 3. Using the ColorSync on the control panel, choose the profile to be used.

Instructions for attaching a VESA-compliant arm

An arm or stand based on the VESA standard (commercially available) can be attached to the monitor. Procurement of the arm or stand is at the customer's discretion.

Arms or stands able to be used

Attachments must satisfy the following.

- Compatible with the VESA standard.
- Have a gap of 100 mm x 100 mm between the screw holes on the section to be attached.
- Not be likely to fall off or break off after being attached to the monitor.

How to attach the arm or stand

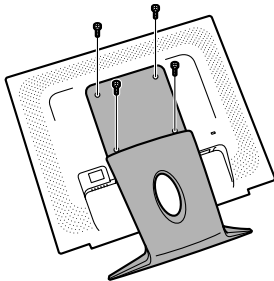
- Be careful not to over bend the cable or add extension cords as this could lead to malfunction.
- While following these instructions, please also refer to the installation instructions in the operation manual included with the arm or stand.

CAUTION!

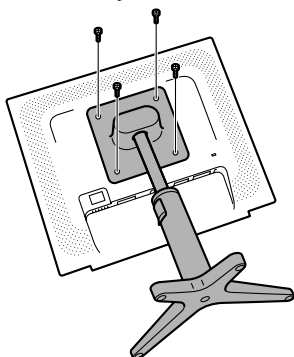
- Be careful not to get your fingers pinched between the display and stand nor to let the stand drop. These could lead to injury.

1. Remove the cables.
2. Spread out a soft cloth on a suitable horizontal surface.
3. Being careful not to damage the monitor, gently lay the monitor on it display-side down.
 - For the LL-171G, extend the stand as long as possible and lock it before positioning the monitor. (p.11)
4. Remove the four screws and then remove the stand from the monitor.

[LL-171A]



[LL-171G]



Notes:

- The stand is specially made for use with this monitor. Once having removed the stand, never attempt to attach it to another device.
- Once having removed the screws, store them together with the stand and if the stand is ever re-attached be sure to use the original screws. Using different screws could lead to a malfunction.



CAUTION!

Do not disassemble the stand. Parts may spring out and cause injury.

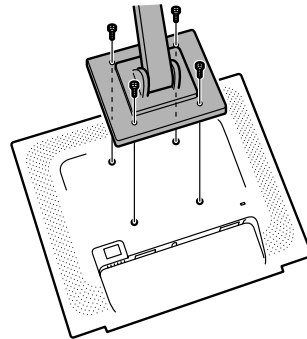


CAUTION!

Store the stand of the LL-171G in its most extended position.

When the stand is stored in a contracted state, the lock may accidentally release and the stand may abruptly extend, causing injury.

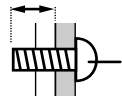
5. Attach the arm to the monitor with the four screws.



Note:

- The screws used to attach the arm should be M4 screws with a length of 4 - 5 mm protruding from the surface to be attached. Using different screws could cause the monitor to fall off or to be internally damaged.

4 - 5 mm



Screw used to attach arm

Arm

Part of monitor to which arm is attached

Inhaltsverzeichnis

Tipp und Sicherheitsvorkehrungen	34
Produktbeschreibung	36
Winklereinstellung, Höheneinstellung	37
Anschließen des Monitors und Ein- und Ausschalten des Monitors	38
Befestigen der Kabel [LL-171G]	38
Verbinden des Monitors mit einem Computer	38
Anschluss von Kopfhörern (im Handel erhältlich)	41
Anschließen des Monitors an eine Stromquelle	41
Einschalten des Monitors	41
Umschalten zwischen Eingangsanschlüssen [LL-171G]	42
Ausschalten des Monitors	42
Einstellen der Bildschirmanzeige und der Lautsprecher-Lautstärke	43
Einstellen der Hintergrundbeleuchtung	43
Einstellen der Lautsprecher-Lautstärke	44
Einstellen des Displaymodus	44
Überprüfen der Geräteinformationen	44
Einstellen der Bildschirmanzeige	45
Automatische Bildschirmeinstellung (bei Verwendung eines Analogsignals)	45
Manuelle Bildschirmeinstellung	46
Pflege des Monitors	49
Pflege des Monitors	49
Lagerung	49
Fehlersuche	49
Technische Daten	50
Installieren der Setup-Informationen und des ICC-Profiles (Für Windows)	54
Informationen zum Profil ColorSync (Für MacOS)	57
Anweisungen zum Anbringen eines VESA-kompatiblen Monitorarms	58

Tipp und Sicherheitsvorkehrungen

- Das TFT-Farb-LCD-Panel wurde unter Einsatz hochentwickelter Technologie gefertigt. Es kann jedoch vorkommen, dass an einigen Stellen Bildpunkte nicht aufleuchten oder permanent angezeigt werden. Wenn der Bildschirm von der Seite aus angesehen wird, können die Farben unregelmäßig oder zu hell erscheinen. Dies ist normal bei LCD-Monitoren und hat keinen Einfluss auf die Leistungsfähigkeit des Gerätes.
- Die Bildschirmanzeige sollte nicht über lange Zeiträume hinweg stehenbleiben, da dies einen Einbrenneffekt zur Folge haben könnte.
- Wenn die Helligkeit auf die Mindesteinstellung gesetzt wird, ist der Bildschirm eventuell schlecht lesbar.
- Die Qualität des Computersignals kann die Anzeigequalität beeinträchtigen. Wir empfehlen den Einsatz eines Computers, der Videosignale hoher Qualität aussenden kann.
- Der Monitor darf niemals mit harten Gegenständen abgerieben oder berührt werden.
- Wir bitten um Ihr Verständnis, dass Sharp Corporation über die gesetzlich anerkannte Leistungshaftung hinaus keine Haftung für Fehler übernimmt, die sich aus der Verwendung durch den Kunden oder einen Dritten ergeben, und auch nicht für sonstige Funktionsstörungen oder Schäden, die während der Verwendung am Gerät entstehen.
- Eine Aktualisierung dieses Monitors und seines Zubehörs ist vorbehalten.

Aufstellort

- Verwenden Sie den Monitor nicht an schlecht belüfteten Orten mit hoher Staubentwicklung, hoher Luftfeuchtigkeit oder an Orten, an denen der Monitor mit Öl oder Dampf in Kontakt kommen könnte, da dies ein Brandrisiko birgt.
- Achten Sie darauf, dass der Monitor nicht mit Wasser oder anderen Flüssigkeiten in Berührung kommt. Achten Sie darauf, dass keinerlei Gegenstände, beispielsweise Büroklammern oder sonstige spitze Gegenstände, in den Monitor gesteckt werden. Die Folge könnte ein Brand oder Stromschlag sein.
- Stellen Sie den Monitor nicht auf wackelige Unterlagen oder auf unsichere Stellen. Setzen Sie den Monitor keinen starken Stößen oder Erschütterungen aus. Wenn der Monitor herunterfällt oder umkippt, könnte er Schaden nehmen.
- Stellen Sie den Monitor nicht an Stellen auf, die direkter Sonneneinstrahlung ausgesetzt sind, und nicht in der Nähe von Heizungen oder an anderen Stellen, an denen hohe Temperaturen auftreten, da dies zu einer übermäßig starken Erhitzung mit der Folge eines Brandes führen könnte.

Das Netzkabel

- Beschädigen Sie das Netzkabel nicht, stellen Sie keine schweren Gegenstände darauf, und überdehnen oder knicken Sie es nicht. Verwenden Sie keine Verlängerungskabel. Ein beschädigtes Kabel kann einen Brand oder Stromschlag verursachen.
- Nur das mit dem Monitor mitgelieferte Netzkabel verwenden.
- Stecken Sie den Netzstecker direkt in die Netzsteckdose. Die Verwendung eines Verlängerungskabels kann aufgrund von Überhitzung zu einem Brand führen.
- Den Netzstecker nicht mit nassen Händen abziehen oder einstecken. Dadurch können elektrische Schläge verursacht werden.

Tipp und Sicherheitsvorkehrungen

Checkliste für Monitor und Zubehör

- Prüfen Sie den Kartoninhalt auf Vollständigkeit.
- LCD-Monitor (1)
- Analogsignalkabel (1)
(Modellbezeichnung: 0NW1738GAB01A)
- [LL-171G] Digitalsignalkabel (1)
(Modellbezeichnung: 0NW1748LAB007)
- Audiokabel (1)
(Modellbezeichnung: 0NW0173056023)
- [LL-171G] Kabelklammer (2)
- CD-ROM (1)
- Bedienungsanleitung (1)

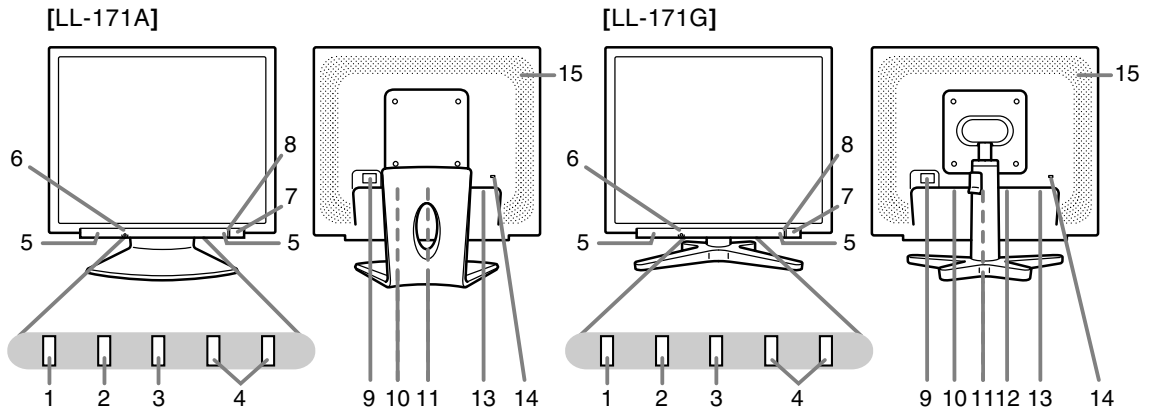
Hinweise:

- [LL-171A] Nur die mit dem Monitor mitgelieferten Kabel verwenden.
- Stellen Sie sicher, dass Kabel mit weniger als 3 m Länge verwendet werden.
- [LL-171G] Das Analogsignalkabel (DVI-I29polig – Mini-D-Sub15-polig) muß separat gekauft werden.
(Modellbezeichnung: NL-C02E)
- [LL-171G] Das 2-Eingangskabel (DVI-I29-polig – DVI-D24-polig/Mini-D-Sub15-polig) muss separat gekauft werden.
(Modellbezeichnung: NL-C03J)
- Bewahren Sie den Karton für einen eventuellen Transport des Monitors auf.
- Sharp Corporation besitzt Urheberrechte am Programm Utility Disk. Eine Reproduktion ist ohne Genehmigung nicht zulässig.
- Die Form des mitgelieferten Zubehörs kann von den Abbildungen in diese Anleitung abweichen.

Inhalt de Anleitung

- Diese Anleitung wurde zur Verwendung mit LL-171A und LL-171G geschrieben. Wenn eine abweichende technische Eigenschaft zwischen den Modellen beschrieben wird, wird jeweils die Modellbezeichnung angegeben. (Wenn die Modellbezeichnung nicht angegeben wird, gilt die Beschreibung für beide Modelle. Für Darstellungen des Produkts werden in dieser Anleitung Abbildungen des Modells LL-171A verwendet.)
- In dieser Anleitung wird Microsoft Windows XP als "Windows XP" bezeichnet, Microsoft Windows Millennium als "Windows Me", Microsoft Windows 2000 als "Windows 2000", Microsoft Windows 98 als "Windows 98", Microsoft Windows 95 als "Windows 95" und Microsoft Windows Version 3.1 als "Windows 3.1". Falls keine Unterscheidung zwischen den Programmen erforderlich ist, wird der Begriff "Windows" verwendet.
- Microsoft und Windows sind eingetragene Warenzeichen der Microsoft Corporation.
- Macintosh ist ein eingetragenes Warenzeichen der Apple Computer, Inc.
- Alle andere Warenzeichen sind das Eigentum der jeweiligen Gesellschaften.

Produktbeschreibung



1. Taste AUTO [LL-171A] Diese Taste dient zum Ausführen automatischer Einstellung des Bildschirms (CLOCK, PHASE, H-POS und V-POS). (S.45)
- Taste INPUT [LL-171G] Für die Umschaltung zwischen den Signaleingangsanschlüssen.
2. Taste MENU Mit dieser Taste öffnen, wählen und schließen Sie das OSD (On Screen Display) -Menü.
3. Taste ▼ / MODE Wenn das OSD-Menü angezeigt wird:
 Diese Taste wird zum Wählen der Menüoptionen verwendet.
 Wenn kein OSD-Menü angezeigt wird:
 Diese Taste wird zur Einstellung von DISPLAY MODE verwendet.
4. Tasten ◀▶ Wenn das OSD-Menü angezeigt wird:
 Mit diesen Tasten wählen Sie eine Option oder erhöhen oder verringern den Wert einer ausgewählten Option.
 Wenn kein OSD-Menü angezeigt wird:
 Mit diesen Tasten stellen Sie die Helligkeit der Hintergrundbeleuchtung und die Lautstärke der Lautsprecher ein.
5. Lautsprecher Töne, die über die an den Monitor angeschlossenen externen Geräte eingehen, sind hörbar.
6. Kopfhöreranschluss Hier können (im Handel erhältlich) Kopfhörer angeschlossen werden.
7. Netzschalter Mit dieser Taste schalten Sie den Monitor ein.
 Schalten Sie den Monitor über den Netzschalter wieder aus.
8. Betriebs-LED Diese LED leuchtet im Betrieb grün und im Stromsparmodus orange.
9. Hauptnetzschalter
10. Netzanschluss
11. Audioeingangsanschluss Hier kann ein Audioausgangsanschluss des Computers angeschlossen werden. Das mitgelieferte Audiokabel muss verwendet werden.
12. DVI-I-Eingangsanschluss [LL-171G] ... Der digitale RGB-Ausgangsanschluss oder der analoge RGB-Ausgangsanschluss des Computers kann hier angeschlossen werden.
 Für einen digitalen Signaleingang: Er kann an einen Computer mit DVI-kompatiblen Ausgangsanschluss (DVI-D24polig oder DVI-I29polig) und SXGA-Ausgangsfunktionalität angeschlossen werden. Ob die Anzeige einwandfrei erfolgt, hängt von dem anzuschließenden Computer ab.
13. Analoger RGB-Eingangsanschluss Hier wird der Analogsignalkabel eingesteckt. Das mitgelieferte Analogsignalkabel muss verwendet werden.
 (INPUT-1)
14. Sicherheitsverriegelung Wenn Sie eine Sicherheitsverriegelung anbringen (im Handel erhältlich), wird der Monitor so befestigt, dass er nicht wegtransportiert werden kann.
 Die Diebstahlsicherung wird in Verbindung mit dem Kensington-Mikrosicherheitsystem eingesetzt.
15. Lüftungsöffnungen Decken Sie nie die Lüftungsöffnungen ab, da sich das Monitorinnere sonst zu stark erwärmen würde und dies Funktionsstörungen zur Folge hätte.

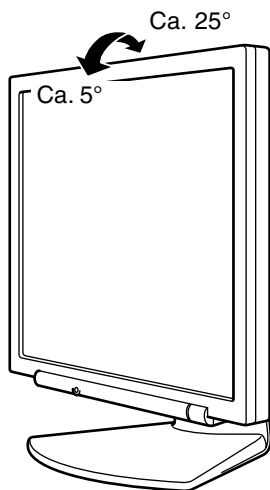
Winkeleinstellung, Höheneinstellung

ACHTUNG!

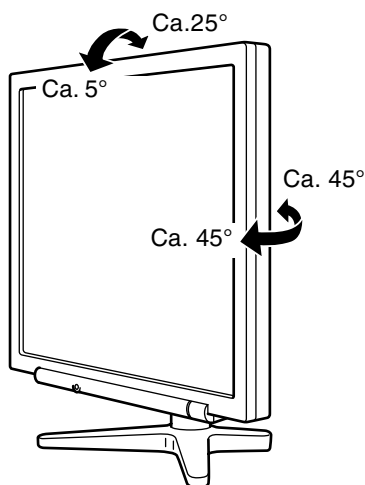
- Achten Sie darauf, den Monitor beim Einstellen des Sichtwinkels immer an beiden Seiten zu halten. Das in diesem Monitor verwendete LCD-Panel besteht aus Glas. Durch Druck mit der Hand auf das LCD-Panel können Schäden hervorgerufen werden.
- Vorsichtig vorgehen und darauf achten, dass die Finger nicht eingeklemmt werden.

Winkeleinstellung

[LL-171A]

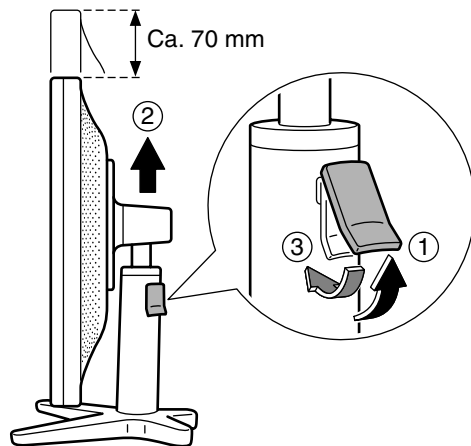


[LL-171G]



Höheneinstellung [LL-171G]

1. Heben Sie die Sperre auf.
2. Stellen Sie die Höhe des Fußes ein.
3. Aktivieren Sie die Sperre.



ACHTUNG!

- Stellen Sie sicher, dass die Sperre aufgehoben ist, bevor Sie die Höhe des Fußes einstellen. Durch Herausziehen/Einschieben des Fußes in gesperrtem Zustand kann das Produkt beschädigt werden.
- Stellen Sie sicher, dass der Fuß richtig gesperrt ist, ausgenommen beim Einstellen der Höhe.

Anschließen des Monitors und Ein- und Ausschalten des Monitors

ACHTUNG!

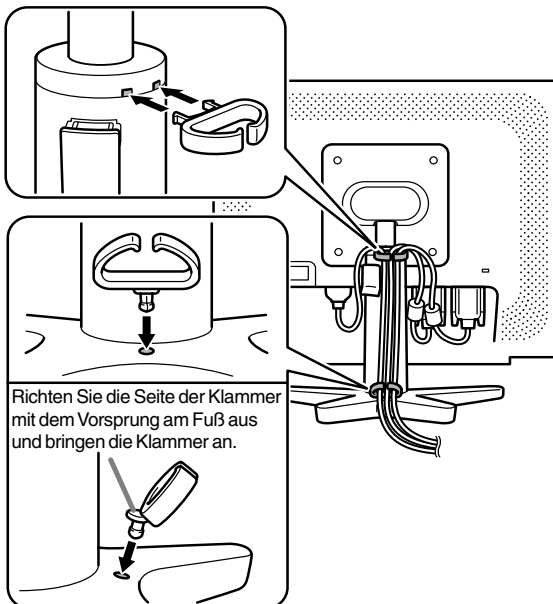
- Bevor Sie den Monitor anschließen, müssen Sie den Monitor und den Computer ausschalten.
- Achten Sie darauf, dass Sie das Kabel nicht überdehnen, und schließen Sie kein Verlängerungskabel an, da dies Funktionsstörungen hervorrufen kann.

Befestigen der Kabel [LL-171G]

Verwenden Sie die mitgelieferten Kabelklammern zum Befestigen der Kabel an den Anschlüssen. Die oberen und unteren Kabelklammern haben verschiedene Formen. Bestätigen Sie die Formen der Klammern vor dem Anbringen am Fuß.

ACHTUNG!

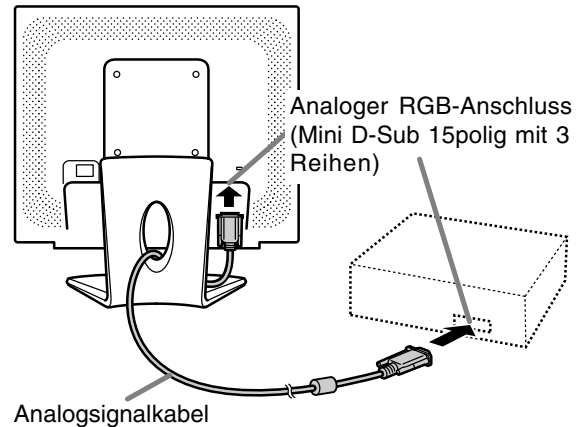
- Beim Einstellen des Sichtwinkels können Kabel gezogen werden. Stellen Sie deshalb sicher, dass die Kabel immer ausreichend Durchhang haben.



Verbinden des Monitors mit einem Computer

Analoger Anschluss [LL-171A]

Schließen Sie das als Zubehör mitgelieferte Analogsignalkabel an analogen RGB-Ausgangsanschluss des Computers an.



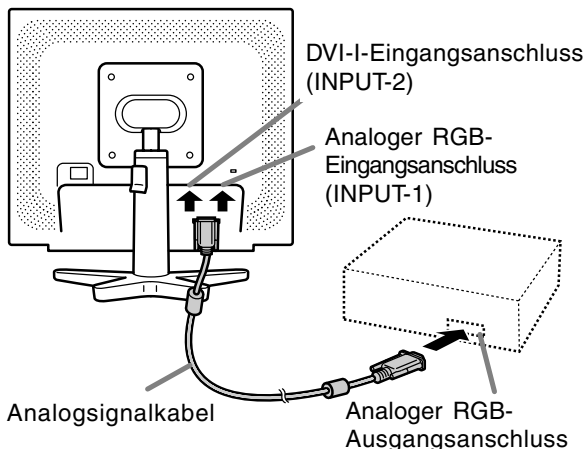
- Unter Beachtung der richtigen Steckerrichtung das Signalkabel fest in den Stecker einstecken, und dann die Schrauben an beiden Seiten festziehen.

Anschließen des Monitors und Ein- und Ausschalten des Monitors

Analoger Anschluss [LL-171G]

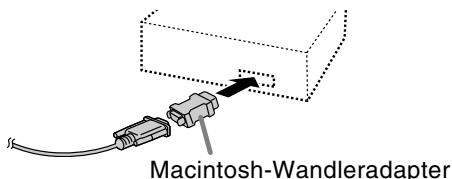
Schließen Sie das als Zubehör mitgelieferte Analogsignalkabel oder das getrennt erhältliche Analogsignalkabel (Modellbezeichnung: NL-C02E) an den analogen RGB-Ausgangsanschluss des Computers an.

- Schließen Sie das als Zubehör mitgelieferte Analogsignalkabel an den analogen RGB-Eingangsanschluss (INPUT-1) an.
- Schließen Sie das getrennt erhältliche Analogsignalkabel (Modellbezeichnung: NL-C02E) an den DVI-I Eingangsanschluss (INPUT-2) an.



- Unter Beachtung der richtigen Steckerrichtung das Signalkabel fest in den Stecker einstecken, und dann die Schrauben an beiden Seiten festziehen.

Beim Anschluss eines 15-poligen, 2reihigen D-Sub Apple Power Macintosh befestigen Sie am Analogsignalkabel einen Macintosh-Wandleradapter (im Handel erhältlich).



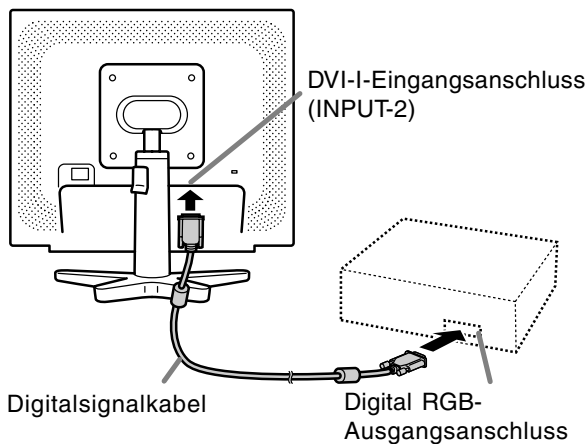
Hinweis:

- Beim Anschluss an die Sun Ultra-Serie ist eventuell ein Wandleradapter (im Handel erhältlich) erforderlich.

Digitaler Anschluss [LL-171G]

Schließen Sie das als Zubehör mitgelieferte Digitalsignalkabel an den digitalen RGB-Ausgangsanschluss des Computers an.

- Der Monitor hat einen Eingang zum Anschließen an einen Computer mit einem DVI-kompatiblen Ausgangsstecker (DVI-D-24-polig oder DVI-I-29-polig) und SXGA-Ausgangsmöglichkeit. (Abhängig vom anzuschließenden Computer kann es vorkommen, dass das Display nicht richtig funktioniert.)



- Unter Beachtung der richtigen Steckerrichtung das Signalkabel fest in den Stecker einstecken, und dann die Schrauben an beiden Seiten festziehen.

Den Monitor folgendermassen einstellen, wenn ein digitaler Anschluss mit einem Power Macintosh unter Verwendung eines ADC-DVI-Adapters des Herstellers Belkin ausgeführt wird. (Der Betrieb wurde mit dem Power Macintosh G4 M7627J/A überprüft.)

- Die Einstellungen bei ausgeschaltetem Power Macintosh ausführen.
- 1. Nach dem Anschluss des Netzkabels den Hauptnetzschalter des Monitors einschalten.
- 2. Drücken Sie gleichzeitig die Tasten ◀ und ▶ sowie den Netzschalter (d. h. Monitor einschalten).



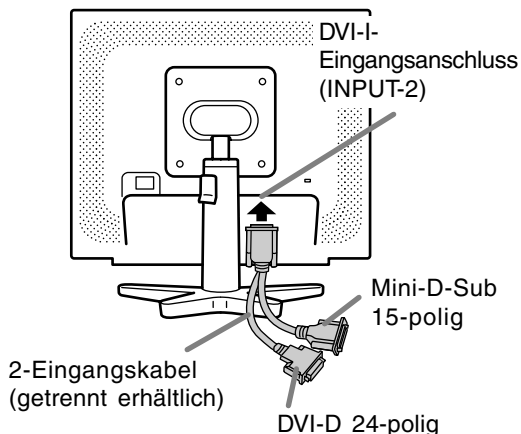
- 3. Stellen Sie mit den Tasten ◀ ▶ [ON] ein.
 - Das Gerät nicht auf [ON] einstellen, wenn kein Belkin ADC-DVI-Adapter verwendet wird, da dies zu Fehlfunktionen bei der Wiedergabe führen kann.
- 4. Drücken Sie die Taste MENU. Damit sind die Einstellungen beendet.

Anschließen des Monitors und Ein- und Ausschalten des Monitors

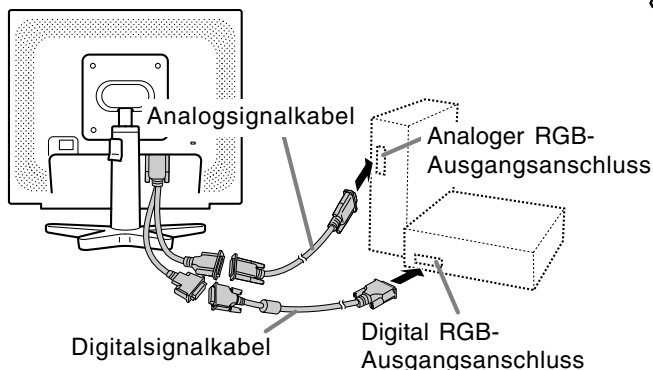
Beim Anschluss eines getrennt erhältlichen 2-Eingangskabels [LL-171G]

Das getrennt erhältliche 2-Eingangskabel (Modellbezeichnung: NL-C03J) ermöglicht die Verbindung zwischen dem DVI-I-Eingangsanschluss des Monitors und zwei Computern. (Eine analoge und eine digitale Verbindung.)

1. Schließen Sie das 2-Eingangskabel an den DVI-I-Eingangsanschluss des Monitors an.



2. Schließen Sie das als Zubehör mitgelieferte oder im Handel erhältliche Analogsignalkabel und das als Zubehör mitgelieferte Digitalsignalkabel an das 2-Eingangskabel an.
 - Bei Verwendung eines im Handel erhältlichen Analogsignalkabels müssen beide Enden als Mini-D-Sub 15-polig ausgelegt sein.
3. Die Signalkabel an den Computern anschließen.



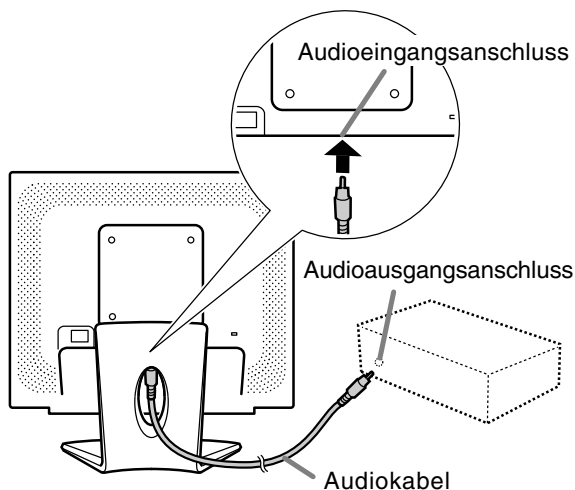
- Achten Sie streng auf die Steckerrichtung, führen Sie das Signalkabel hier fest ein und ziehen die Schrauben an beiden Seiten fest.

Hinweise:

- Bei Verwendung des 2-Eingangskabels stellen Sie den Eingangsanschluss für den Anschluss [INPUT-2] unter dem Menü MODE SELECT-2 auf [2LINES] ein. (S.48)
- Der an der analogen Verbindung des 2-Eingangskabels angeschlossene Monitor kann möglicherweise nicht automatisch festgestellt und mit Plug & Play eingestellt werden. Speichern Sie die Einstellungsinformationen manuell. (S.54)

Schließen Sie das zusätzliche Audiokabel an

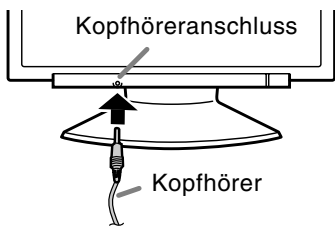
Wenn das zusätzliche Audiokabel am Audioausgangsanschluss des Computers angeschlossen wird, wird der Ton des angeschlossenen Computers über die Monitor-Lautsprecher wiedergegeben. Die Kopfhörerbuchse des Monitors kann ebenfalls verwendet werden.



Anschließen des Monitors und Ein- und Ausschalten des Monitors

Anschluss von Kopfhörern (im Handel erhältlich)

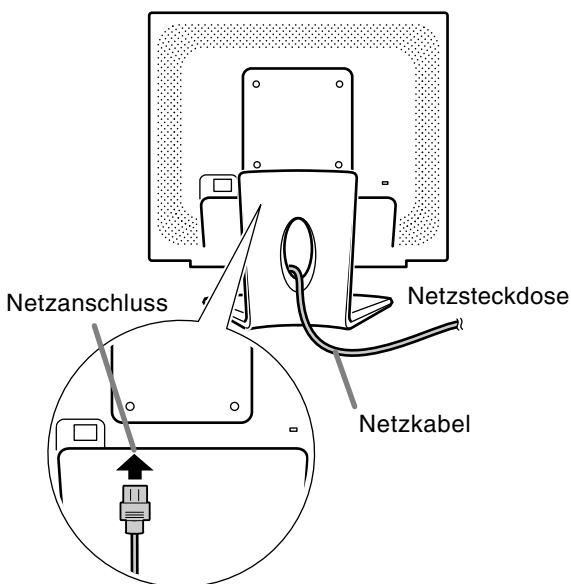
Kopfhörer (im Handel erhältlich) können angeschlossen werden.



Hinweis:

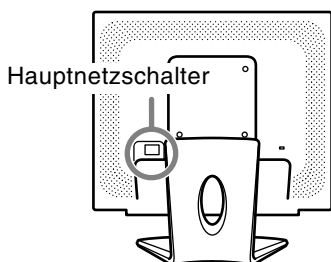
- Wenn Kopfhörer angeschlossen sind, ertönt aus den Lautsprechern des Monitors kein Klang.

Anschließen des Monitors an eine Stromquelle



Einschalten des Monitors

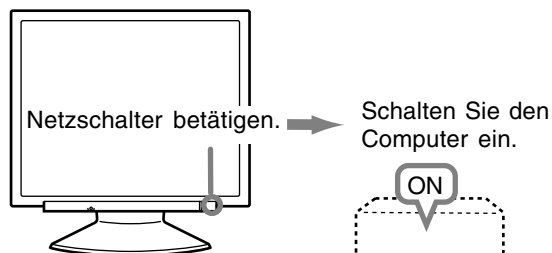
1. Den Monitor mit dem Hauptnetzschalter einschalten.



- Beim Aus- und Einschalten des Monitors mit dem Hauptnetzschalter sollten Sie mindestens fünf Sekunden warten. Durch ein schnelles Umschalten können Fehlfunktionen auftreten.

2. Drücken Sie den Netzschalter am Monitor.

3. Schalten Sie den Computer ein.



Wenn ein Signal vom Computer eingegeben wird, leuchtet die Betriebs-LED grün auf und die Wiedergabe wird aktiviert. (Nach dem Einschalten des Gerätes kann es eine kurze Zeit dauern, bis die Wiedergabe aktiviert wird.)

Hinweis für LL-171G:

- Wenn der Eingangsanschluss, an den der Computer angeschlossen ist, nicht gewählt ist, wird auf dem Bildschirm nichts angezeigt. Falls notwendig, sollte der Eingangsanschluss umgeschaltet werden. (S.42)

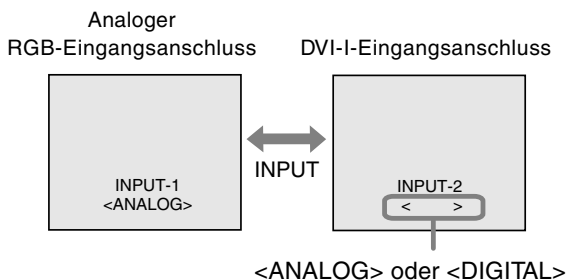
Hinweise:

- Bei der Verwendung eines Analogsignals führen Sie eine automatische Bildschirmeinstellung unter folgenden Bedingungen durch (S.45):
 - Wenn der Monitor erstmalig in Betrieb genommen wird.
 - Wenn die Systemeinstellungen während des Betriebs geändert werden.
- Bei Verwendung des LL-171G mit digitaler Verbindung ist automatische Bildschirmeinstellung nicht nötig.
- Je nach Computer oder Betriebssystem muss die Installation der Monitor-Setup-Informationen eventuell über einen Computer erfolgen. (S.54)
- Wenn der Bildschirm eines angeschlossenen Notebooks so eingestellt ist, dass er gleichzeitig angezeigt wird, wird der MS-DOS-Bildschirm möglicherweise nicht einwandfrei angezeigt. Ändern Sie in diesem Fall die Einstellungen so, dass die Anzeige nur auf dem Monitor erfolgt.

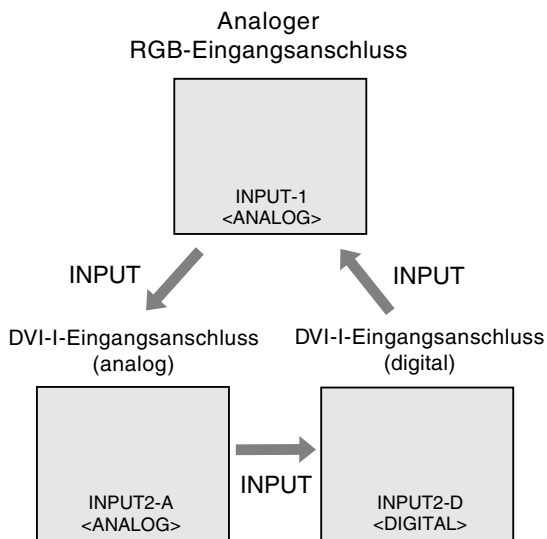
Anschließen des Monitors und Ein- und Ausschalten des Monitors

Umschalten zwischen Eingangsanschlüssen [LL-171G]

Mit der Taste INPUT schalten Sie die Signaleingangsanschlüsse um.



Wenn ein 2-Eingangskabel verwendet wird

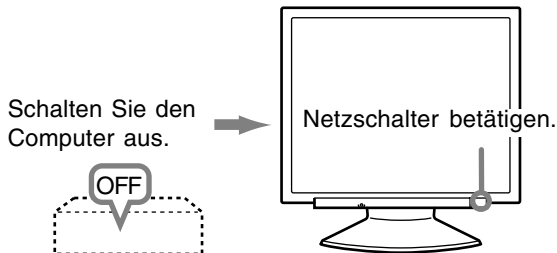


Hinweis:

- Wenn kein Eingangssignal vorhanden ist, wird [NO SIGNAL] angezeigt.

Ausschalten des Monitors

1. Schalten Sie den Computer aus.
2. Drücken Sie den Netzschalter am Monitor. Die Betriebs-LED erlischt.



Wenn der Monitor längere Zeit nicht verwendet wird, sollten Sie den Monitor mit dem Hauptnetzschalter ausschalten und den Netzstecker von der Netzsteckdose abtrennen.

Einstellen der Bildschirmanzeige und der Lautsprecher-Lautstärke

Analogsignal

1. Führen Sie zunächst eine automatische Einstellung durch. (S.45)
2. Führen Sie bei Bedarf eine manuelle Einstellung durch. (S.46)

Digitalsignal [LL-171G]

Der Monitor kann in der Regel ohne Einstellung verwendet werden. Führen Sie bei Bedarf eine manuelle Einstellung durch. (S.46)

Hinweis:

- Alle Einstellungen bleiben auch nach dem Abschalten des Monitors gespeichert.

Zurücksetzen aller Einstellwerte

Alle Einstellwerte können mit einem Befehl auf die werksseitigen Einstellungen zurückgesetzt werden.

1. Schalten Sie den Monitor aus.
2. Drücken Sie gleichzeitig die Tasten MENU und ▼ / MODE sowie den Netzschalter (d. h. Monitor einschalten).
Drücken Sie die Tasten weiterhin, bis [ALL RESET] auf dem Bildschirm angezeigt wird. Die Rückstellung ist ausgeführt, wenn die angezeigte Meldung erlischt.

Hinweise:

- Während [ALL RESET] angezeigt wird, sind die Steuertasten deaktiviert.
- Falls sich die Werte nicht zurücksetzen lassen, wenn die Einstellungssperre aktiv ist, gehen Sie folgendermaßen vor. Heben Sie die Einstellungssperre auf, bevor Sie die Steuertasten betätigen.

Zurücksetzen des Menüs ADJUSTMENT

Die Einstellungen im Menü ADJUSTMENT (CLOCK, PHASE, H-POS, V-POS) können auf die ursprünglichen Werkseinstellungen zurückgesetzt werden.

1. Schalten Sie den Monitor ein.
2. Drücken Sie gleichzeitig die Taste MENU und die Taste ◀. Wenn [RESET] auf dem Bildschirm angezeigt wird, ist der Reset abgeschlossen.

Hinweise:

- Während [RESET] angezeigt wird, sind die Steuertasten deaktiviert.
- Falls sich die Werte nicht zurücksetzen lassen, wenn die Einstellungssperre aktiv ist, gehen Sie folgendermaßen vor. Heben Sie die Einstellungssperre auf, bevor Sie die Steuertasten betätigen.

Einstellungssperrfunktion

Wenn Sie die Steuertasten deaktivieren (d. h. die Sperre setzen), können keine Werte eingestellt werden.

1. Schalten Sie den Monitor aus.
2. Drücken Sie gleichzeitig die Taste MENU und den Netzschalter (d. h. Monitor einschalten).
Drücken Sie die Tasten weiterhin, bis [ADJUSTMENT LOCKED] auf dem Bildschirm angezeigt wird. Die Sperre ist eingestellt, wenn die Meldung angezeigt wird.

Hinweis:

- Wenn die Sperre aktiviert ist, sind alle Tasten mit Ausnahme des Netzschalters deaktiviert.

Aufhebung der Einstellungssperre

1. Schalten Sie den Monitor aus.
2. Drücken Sie gleichzeitig die Taste MENU und den Netzschalter (d. h. Monitor einschalten).
Drücken Sie die Tasten weiterhin, bis [ADJUSTMENT UNLOCKED] auf dem Bildschirm angezeigt wird. Die Sperre wird aufgehoben, wenn die Meldung angezeigt wird.

Einstellen der Hintergrundbeleuchtung

1. Wenn das OSD-Menü nicht angezeigt wird, drücken Sie die Taste ◀ oder die Taste ▶.
2. Sicherstellen, dass [BRIGHT] gewählt ist.
Wenn es nicht gewählt ist, drücken Sie die Taste ▼ / MODE und wählen [BRIGHT].

VOLUME	11	[██████████]
BRIGHT	31	[██████████]
SELECT... [▼ / MODE]		

3. Stellen Sie die Helligkeit mit der Taste ◀ (dunkler) oder der Taste ▶ (heller) ein.

Hinweis:

- Die Bildschirmanzeige für die Einstellung wird einige Sekunden nach der letzten Einstellung ausgeblendet.

Einstellen der Bildschirmanzeige

Automatische Bildschirmeinstellung (bei Verwendung eines Analogsignals)

Die Optionen im Menü ADJUSTMENT können automatisch eingestellt werden (CLOCK, PHASE, H-POS, V-POS).

Hinweise:

- Wenn Sie den Monitor zum ersten Mal einrichten oder eine Komponente des bestehenden Systems geändert haben, führen Sie vor der Verwendung eine automatische Bildschirmeinstellung durch.
- Automatische Bildschirmeinstellung ist nicht nötig, wenn der LL-171G mit einer digitalen Verbindung verwendet wird. Führen Sie manuelle Bildschirmeinstellung aus, wenn nötig. (S.46)

Bildschirmanzeige zur Einstellung

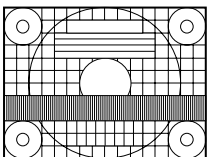
Zeigen Sie zunächst ein Bild an, das den gesamten Bildschirm sehr hell erscheinen lässt. Wenn Sie mit Windows arbeiten, können Sie das Einstellmuster auf der mitgelieferten CD-ROM verwenden.

Öffnen des Einstellmusters (für Windows)

Die in den nachstehenden Bedienungshinweisen erwähnten Windows-Meldungen basieren auf der englischen Windows-Version. Diese Anweisungen betreffen Windows 95/98/2000/Me/XP. Dabei wird von Laufwerk "D" als CD-ROM-Laufwerk angenommen.

1. Die mitgelieferte CD-ROM in das CD-ROM-Laufwerk des Computer einlegen.
2. Öffnen Sie [My Computer], und wählen Sie CD-ROM. Unter Windows 3.1 öffnen Sie [File Manager], und wählen Sie Laufwerk "D".
3. Doppelklicken Sie auf [Adj_uty.exe], um das Einstellprogramm auszuführen. Das Einstellmuster wird angezeigt.

Einstellmuster



Nach dem Ausführen aller Einstellungen drücken Sie am Computer auf die Taste [Esc], um das Einstellprogramm zu beenden.

Hinweis:

- Wenn der Anzeigemodus Ihres Computers auf 65K Farben eingestellt ist, lassen sich die verschiedenen Farbgrade in den einzelnen Farbmustern darstellen, oder die Graustufen sehen farbig aus. (Dies liegt an der Spezifikation des Eingangssignals und ist keine Funktionsstörung.)

Automatisches Einstellen des Bildschirms

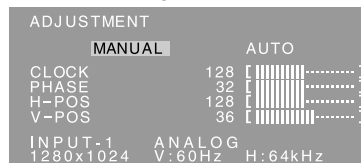
Automatische Einstellung kann entweder mit der Taste AUTO oder der Taste MENU ausgeführt werden.

Taste AUTO [LL-171A]

1. Drücken Sie die Taste AUTO.
2. Drücken Sie die Taste AUTO erneut. [ADJUSTING] erscheint im Bildschirm, und nach einigen Sekunden verschwindet [ADJUSTING] wieder. (Die automatische Einstellung ist damit abgeschlossen.)

Taste MENU

1. Drücken Sie die Taste MENU. Das Menü ADJUSTMENT wird angezeigt. (Beispiel: Dargestellter Bildschirm des LL-171G)



2. Drücken Sie die Taste ►. Der Bildschirm wird dunkel, und [ADJUSTING] wird angezeigt. Nach einigen Sekunden wird wieder das Menü ADJUSTMENT angezeigt. (Die automatische Einstellung ist hiermit abgeschlossen.)
3. Drücken Sie die Taste MENU fünfmal, um das OSD (On Screen Display)-Menü auszublenden.

Hinweise:

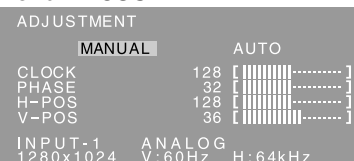
- In den meisten Fällen reicht eine automatische Einstellung aus.
- Es ist möglich, dass mit der ersten automatischen Einstellung keine richtige Einstellung erzielt werden kann. In diesem Fall sollte die automatische Einstellung zwei bis drei Mal wiederholt werden.
- Falls erforderlich, können in folgenden Fällen nach der automatischen Einstellung auch noch manuelle Einstellungen vorgenommen werden (S.46).
 - Wenn eine weitere Feineinstellung erforderlich ist.
 - Wenn [OUT OF ADJUST] angezeigt wird. (Wenn auf dem Bildschirm ein ganz dunkles Bild angezeigt wird, ist die automatische Bildschirmjustierung möglicherweise deaktiviert. Vergewissern Sie sich beim Ausführen einer automatischen Einstellung, dass entweder das Einstellmuster verwendet wird, oder versuchen Sie, ein Bild anzuzeigen, das den gesamten Bildschirm sehr hell erscheinen lässt.)
- Wenn das Videoeingangssignal des Computers Composite Sync oder Sync on Green ist. (Die automatische Einstellung ist eventuell nicht möglich.)
- Es ist möglich, dass eine automatische Einstellung abhängig von der auf dem Bildschirm wiedergegebenen Anzeige - bewegliche Bilder oder die MS-DOS-Eingabeaufforderung - nicht ausgeführt werden kann.

Einstellen der Bildschirmanzeige

Manuelle BildschirmEinstellung

1. Zeigen Sie zunächst ein Bild an, das den gesamten Bildschirm sehr hell erscheinen lässt. (S.45)
2. Rufen Sie das OSD-Menü durch Drücken der Taste MENU ab.
(Beispiel: Dargestellter Bildschirm des LL-171G)

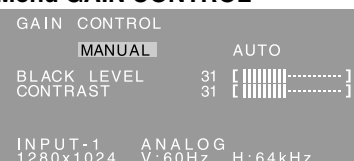
Menü ADJUSTMENT



↓ MENU

Wählen Sie die Option durch Drücken der Taste ▼ / MODE.

Menü GAIN CONTROL



↓ MENU

Wählen Sie die Option durch Drücken der Taste ▼ / MODE.

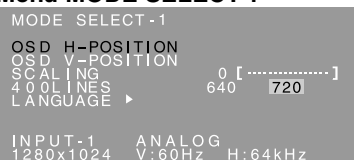
Menü COLOR CONTROL



↓ MENU

Wählen Sie die Option durch Drücken der Taste ▼ / MODE.

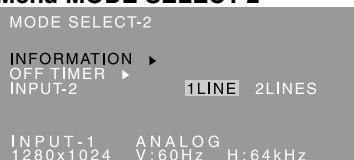
Menü MODE SELECT-1



↓ MENU

Wählen Sie die Option durch Drücken der Taste ▼ / MODE.

Menü MODE SELECT-2



↓ MENU

Wählen Sie die Option durch Drücken der Taste ▼ / MODE.

Das OSD-Menü wird geschlossen.

Hinweise:

- Wenn der LL-171G mit einer digitalen Verbindung verwendet wird, sind die Menüeinstellungen ADJUSTMENT und GAIN CONTROL nicht nötig.

- Das OSD-Menü wird ca. 30 Sekunden nach dem letzten Befehl automatisch ausgeblendet.
- In diesem Kapitel wird die Vorgehensweise zum Einstellen des Bildschirms mit Hilfe des Einstellmusters (für Windows) beschrieben.

Menü ADJUSTMENT

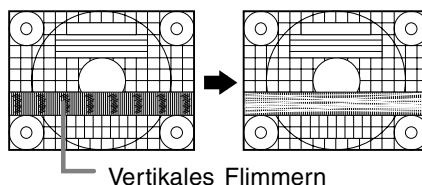
Wenn der LL-171G mit einer digitalen Verbindung verwendet wird, ist diese Menüeinstellung nicht nötig.

AUTO

Wenn [AUTO] mit der Taste ► gewählt ist, werden die Einstellungen von [CLOCK], [PHASE], [H-POS] und [V-POS] automatisch vorgenommen.

CLOCK

Die untenstehende Abbildung zeigt, welche Einstellung vorgenommen werden muss, um vertikales Flimmern zu verhindern. (Tasten ◀▶)

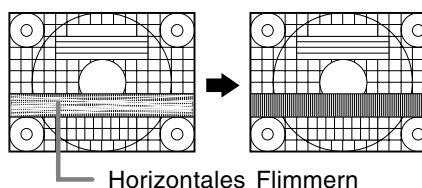


PHASE

Die untenstehende Abbildung zeigt, welche Einstellung vorgenommen werden muss, um horizontales Flimmern zu verhindern. (Tasten ◀▶)

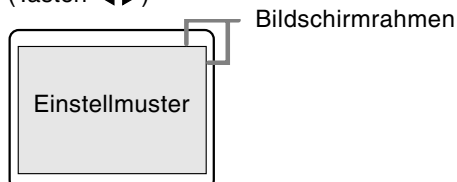
Hinweis:

- Die Einstellungen unter [PHASE] dürfen erst erfolgen, nachdem [CLOCK] korrekt eingestellt wurde.



H-POS (horizontale Positionierung) und V-POS (vertikale Positionierung)

Um das Einstellmuster innerhalb der Grenzen des Bildschirms zu zentrieren, justieren Sie die Werte links-rechts (H-POS) und oben-unten (V-POS). (Tasten ◀▶)



Einstellen der Bildschirmanzeige

Menü GAIN CONTROL

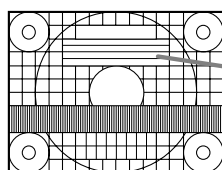
Wenn der LL-171G mit einer digitalen Verbindung verwendet wird, ist diese Menüeinstellung nicht nötig.

AUTO

Wenn [AUTO] mit der Taste ► gewählt ist, werden die Einstellungen von [BLACK LEVEL] und [CONTRAST] automatisch vorgenommen. Nach der automatischen Einstellung führen Sie manuelle Einstellung wenn erforderlich.

BLACK LEVEL

Die gesamte Bildschirmhelligkeit kann während der Anzeige des Farbmusters eingestellt werden. (Tasten ◀▶)



Farbmuster

CONTRAST

Während der Anzeige des Farbmusters können die Einstellungen so erfolgen, dass alle Abstufungen angezeigt werden. (Tasten ◀▶)

Hinweise:

AUTO (Funktion Auto Gain Control)

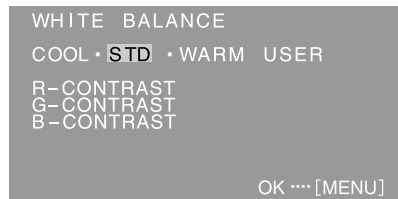
- Die Funktion Auto Gain Control justiert den Kontrast und den Schwarzwert basierend auf der hellsten und dunkelsten Farbe des angezeigten Bildes.
- Wenn Sie das Einstellmuster nicht verwenden, müssen Sie einen schwarzen und weißen Bereich in einer Größe von 5 mm x 5 mm anzeigen lassen, ansonsten ist keine Einstellung möglich.
- Wenn es sich bei dem vom Computer kommenden Signal um das Signal Composite Sync oder Sync on Green handelt, ist keine automatische Einstellung möglich. Nehmen Sie die Einstellung statt dessen manuell vor.
- Wenn [OUT OF ADJUST] angezeigt wird, sollte die manuelle Einstellung durchgeführt werden.

Menü COLOR CONTROL

WHITE BALANCE

1. Nach der Wahl von [WHITE BALANCE] drücken Sie die Taste ►.

Das Menü WHITE BALANCE erscheint.



2. Wählen Sie [COOL], [·], [STD], [·], [WARM] oder [USER] mit den Tasten ◀▶ aus.

COOL ... Farbton mit stärkerem Blaustich als normal

- Farbton mit leicht stärkerem Blaustich als normal

STD Farbton entspricht der Standardeinstellung

- Farbton mit leicht stärkerem Rotstich als normal

WARM .. Farbton mit stärkerem Rotstich als normal

- USER**
- Wenn [USER] ausgewählt wird, werden die Einstellwerte für [R-CONTRAST], [G-CONTRAST] und [B-CONTRAST] angezeigt, damit die Feineinstellung vorgenommen werden kann.
 - Wählen Sie [R-CONTRAST], [G-CONTRAST] und [B-CONTRAST] mit der Taste ▼ / MODE aus.

R-CONTRAST Taste ◀ für blau-grün
Taste ▶ für rot

G-CONTRAST Taste ◀ für violett
Taste ▶ für grün

B-CONTRAST Taste ◀ für gelb
Taste ▶ für blau

3. Drücken Sie die Taste MENU.

Hinweise:

- Bei einer anderen Einstellung als [STD] können nicht alle Abstufungen angezeigt werden. Um alle Abstufungen anzuzeigen, stellen Sie [STD] ein.
- Wenn [DISPLAY MODE] auf [sRGB] oder [VIVID] eingestellt ist, kann keine andere Einstellung als [STD] gewählt werden.

GAMMA

Das Bild so einstellen, dass dunkle und helle Bildteile sichtbar wiedergegeben werden. Wenn das Bild zu dunkel und schwer zu erkennen ist, sollte der Zahlenwert erhöht werden. Wenn das Bild zu hell und schwer zu erkennen ist, sollte der Zahlenwert verringert werden. (Tasten ◀▶)

- Wenn [DISPLAY MODE] auf [sRGB] oder [VIVID] gestellt ist, kann [GAMMA] nicht eingestellt werden.

Einstellen der Bildschirmanzeige

Menü MODE SELECT-1

Hinweis:

- Abhängig von der Auflösung des Eingangssignals ändert sich die Anzeige eventuell selbst dann nicht, wenn die Menüoptionen ausgewählt werden können.

OSD H-POSITION (OSD horizontale Position)

Die Position der OSD-Menü kann nach links und rechts verschoben werden. (Tasten ◀▶)

OSD V-POSITION (OSD vertikale Position)

Die Position der OSD-Menü kann nach oben und unten verschoben werden. (Tasten ◀▶)

SCALING (Skalierungsgrad)

Die Bildschärfe lässt sich einstellen. (Tasten ◀▶)

Hinweis:

- Wenn der Anzeigemodus auf weniger als 1280 x 1024 Pixel gesetzt ist, wird die Anzeige so vergrößert, dass sie den gesamten Bildschirm einnimmt (d. h. das Seitenverhältnis der Anzeige kann sich ändern).

400LINES (Auflösungsgrad)

(bei Verwendung eines Analogsignals)
Sie können die horizontale Auflösung eines Bildschirms mit 400 Zeilen festlegen, wenn Sie US-Text usw. verwenden. (Tasten ◀▶)

640: 640 x 400 Punktemodus

720: 720 x 400 Punktemodus (US-Text usw.)

Hinweis:

- Da die Auflösungseingabe für einen anderen Wert als 400 Zeilen automatisch erfolgt, muss diese Auflösung nicht eingestellt werden.

LANGUAGE (Sprache)

Sie können die Sprache für das OSD-Menü auswählen.

1. Drücken Sie die Taste ▶.
Das Sprachenauswahlmenü wird angezeigt.
2. Wählen Sie die Sprache mit der Taste ▼ / MODE aus.
3. Drücken Sie die Taste MENU.

Menü MODE SELECT-2

INFORMATION

Die Modellbezeichnung (MODEL), die Seriennummer (S/N) und die Verwendungszeit (USAGE TIME) des Monitors kann überprüft werden.

1. Nach der Wahl von [INFORMATION] drücken Sie die Taste ▶.
Die Produktinformation wird angezeigt.
2. Drücken Sie die Taste MENU.

OFF TIMER

Das Gerät wird automatisch ausgeschaltet, nachdem die eingestellte Zeit abgelaufen ist.

1. Nach der Wahl von [OFF TIMER] drücken Sie die Taste ▶.
2. Stellen [ON]/[OFF] durch Drücken der Tasten ◀▶ ein.
Wenn [ON] gewählt wird, drücken Sie die Taste ▼ / MODE und stellen Sie die Ausschaltzeit durch Drücken der Tasten ◀▶ ein. (Zwischen 1 und 23 Stunden können in Stunden eingestellt werden.)
3. Drücken Sie die Taste MENU.

- Wenn [ON] gewählt wurde, wird die verbleibende Zeit oben rechts auf dem Bildschirm während der letzten fünf Minuten vor dem Ausschalten angezeigt. (Die verbleibende Zeit wird ca. fünf Sekunden lang jede Minute angezeigt.)
- Wenn der Netzschalter nach der ersten Anzeige der Restzeit aber vor dem Ausschalten gedrückt wird, wird der OFF TIMER auf eine Stunde eingestellt.
Zum Ausschalten des Gerätes drücken Sie erneut den Netzschalter. (Beim nächsten Einschalten des Gerätes wird das Gerät erneut automatisch ausgeschaltet, wenn die eingestellte Zeit verstrichen ist.)
- Wenn der Monitor bei Einstellung des Ausschalttimers [OFF TIMER] auf [ON] eingeschaltet wird, wird die eingestellte Zeit einige Sekunden lang angezeigt. (Wenn kein Eingangssignal vorhanden ist, wird [NO SIGNAL] angezeigt.)

INPUT-2 [LL-171G]

Stellen Sie [1LINE] ein, wenn Digital- oder Analogsignalkabel am DVI-I-Eingangsanschluss (INPUT-2) des Displays angeschlossen werden.

Stellen Sie [2LINES] ein, wenn ein 2-Eingangskabel angeschlossen wird.

(Tasten ◀▶)

- Wenn die Anschlüsse und Einstellungen nicht richtig ausgeführt werden, wird das Bild auf dem Monitor nicht richtig wiedergegeben.

Pflege des Monitors

Ziehen Sie immer erst den Stecker aus der Netzsteckdose, bevor Sie Reinigungsarbeiten am Monitor ausführen.

Gehäuse und Bedienfeld

Wischen Sie das Gehäuse und das Bedienfeld mit einem weichen, trockenen Tuch vorsichtig sauber. Falls starke Verschmutzungen auftreten, geben Sie etwas neutrales Reinigungsmittel auf ein feuchtes, weiches Tuch, wringen Sie es gut aus, und wischen Sie den Monitor sauber.

LCD-Panel

Wischen Sie Schmutz und Staub von der Oberfläche des LCD-Panels mit einem weichen, trockenen Tuch vorsichtig ab. (Es eignet sich ein weiches Tuch, beispielsweise ein Gaze-Tuch, das auch zum Reinigen von Linsen verwendet wird.)

ACHTUNG!

- Verwenden Sie auf keinen Fall Verdüner, Benzin, Alkohol, Glasreiniger usw., da dies Farb- oder Formveränderungen hervorrufen kann.
- Verkratzen Sie den Monitor nicht mit harten Gegenständen oder durch zu starken Andruck, da dies bleibende Spuren hinterlassen oder Funktionsstörungen hervorrufen kann.

Lagerung

Wenn der Monitor längere Zeit nicht verwendet wird, ziehen Sie den Netzstecker aus der Netzsteckdose.

ACHTUNG!

- Lassen Sie den Monitor nicht über längere Zeit mit Gummi- oder Kunststoffgegenständen in Berührung kommen, da dies Farb- oder Formveränderungen verursachen kann.

Fehlersuche

Falls Störungen am Monitor auftreten, prüfen Sie erst folgende Punkte, bevor Sie sich an den Kundendienst wenden.

Falls sich die Störung hiermit nicht beheben lässt, wenden Sie sich an das Geschäft, in dem Sie den Monitor gekauft haben, oder an die nächstgelegene autorisierte Sharp-Kundendienstzentrale.

Die Leuchtstoffröhren des Monitors weisen eine begrenzte Lebensdauer auf.

- Wenn sich der Bildschirm verdunkelt, dauernd flackert oder nicht aufleuchtet, hat die Leuchtstoffröhre das Ende ihrer Betriebslebensdauer erreicht. Wenden Sie sich an das Geschäft, in dem Sie den Monitor gekauft haben, oder an das nächste autorisierte Sharp-Kundendienstzentrum.
- Am Anfang kann aufgrund der Eigenschaften der Leuchtstoffröhre Flimmern auftreten. (Es handelt sich dabei nicht um eine Funktionsstörung.) Schalten Sie in diesem Fall probeweise den Monitor aus und wieder ein.

Auf dem Monitor wird nichts angezeigt.

(Betriebs-LED leuchtet nicht)

- Ist das Netzkabel richtig angeschlossen? (S.41)

Auf dem Monitor wird nichts angezeigt.

(Betriebs-LED leuchtet)

- Ist der Computer richtig angeschlossen? (S.38,39,40)
- Ist der Computer eingeschaltet?
- Bei Verwendung des LL-171G bestätigen, dass die Signal-Eingangsanschluss richtig gewählt ist. (S.42)
- Wenn Sie den LL-171G verwenden, bestätigen Sie, dass [INPUT-2] richtig im Menü MODE SELECT-2 eingestellt ist. (S.48)
- Entspricht der Signaltakt des Computers den Monitorspezifikationen? (S.52)
- Wurde der Computer in den Stromsparmodus gesetzt?

Die Steuertasten funktionieren nicht.

- Ist die Einstellungssperre aktiviert? (S.43)

Das Bild wird verzerrt angezeigt.

- Entspricht der Signaltakt des Computers den Monitorspezifikationen? (S.52)
- Wenn Sie das Analogsignal verwenden, führen Sie die automatische Bildschirmeinstellung durch. (S.45)
- Wenn die Auffrischungsrate im verwendeten Computer geändert werden kann, sollte der Wert auf eine tiefere Frequenz geändert werden. (S.52)

Aus den Lautsprechern ertönt kein Klang.

- Ist das Audiokabel richtig angeschlossen? (S.40)
- Regeln Sie die Lautstärke. (S.44)
- Sind die Kopfhörer angeschlossen?
- Es kommt kein Ton von den Lautsprechern, wenn der Monitor im Stromsparmodus ist (die Betriebs-LED leuchtet orangefarben auf).

Technische Daten

Produktspezifikationen

Modellbezeichnung

LL-171A-W (Weiß)/LL-171A-B (Schwarz)

LL-171G-W (Weiß)/LL-171G-B (Schwarz)

LCD-Anzeige

43 cm diagonal gemessen TFT-LCD-Modul

Auflösung (max.)

SXGA 1280 x 1024 Pixel

Anzeigbare Farben (max.)

Ca. 16,19 Millionen Farben (6 bit + FRC)

Helligkeit (max.)

250 cd/m²

Punktabstand

0,264 (H) x 0,264 (V) mm

Kontrastverhältnis

430:1

Blickwinkel

Links-rechts 170°, oben-unten 150°

(Kontrastverhältnis > 5)

Bildschirmanzeigegröße

Horizontal 337,9 mm x vertikal 270,3 mm

Videosignal

[LL-171A] Analog RGB (0,7 Vp-p) [75Ω]

[LL-171G] Analog: Analog RGB (0,7 Vp-p) [75Ω]

Digital: DVI-Standard basiert auf 1.0

Sync-Signal

Separate Sync (TTL-Pegel: +/-), Sync on

Green, Composite Sync (TTL-Pegel: +/-)

Erweiterungskompensation

Digitaler Skalierungsgrad (Vergrößerung von

VGA/SVGA/XGA usw. auf gesamte

Bildschirmgröße.)

Plug & Play

VESA: DDC2B-kompatibel

Power Management

[LL-171A] VESA: basiert auf DPMS

[LL-171G] VESA: basiert auf DPMS

DVI: basiert auf DMPM

Lautsprecherausgang

1 W + 1 W

Eingangssignalanschluss

[LL-171A] 15poliger Mini-D-Sub-Anschluss (3 Reihen)

[LL-171G] Analog: 15poliger Mini-D-Sub-Anschluss (3 Reihen)

Digital/Analog: 29-polig DVI-I

Audioeingangsanschluss

Mini-Stereobuchse

Kopfhöreranschluss

Mini-Stereobuchse

Einstellung der Höhe [LL-171G]

Einstellungsbereich: ca. 70 mm

Bildschirmneigung

nach oben ca. 0 - 25°, nach unten ca. 0 - 5°

Bildschirmdrehung [LL-171G]

Ca. 45° von der Mitte nach links, und ca. 45° von der Mitte nach rechts.

Stromversorgung

100 - 240 VAC, 50/60 Hz

Umgebungstemperatur

5 - 35 °C

Leistungsaufnahme

30 W (Kein Audioeingang)

(35 W max., 1 W im Stromsparmmodus)

Abmessungen (B x T x H)

[LL-171A]

Ca. 374 mm x 205 mm x 374 mm

[LL-171G]

Ca. 374 mm x 236 mm x 368 - 438 mm

Gewicht

[LL-171A]

Ca. 6,0 kg (ca. 4,2 kg ohne Monitorfuß)

(Ohne Kabel)

[LL-171G]

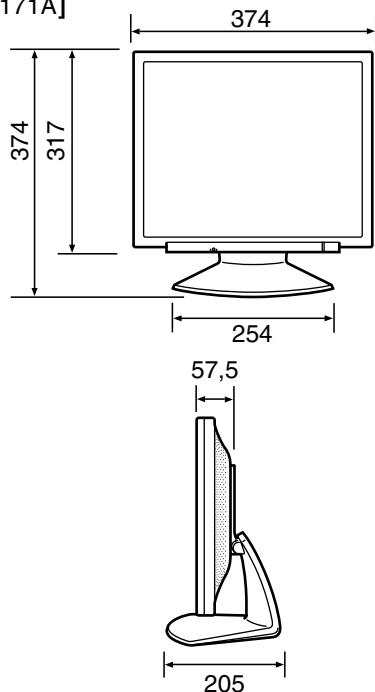
Ca. 5,6 kg (ca. 4,2 kg ohne Monitorfuß)

(Ohne Kabel)

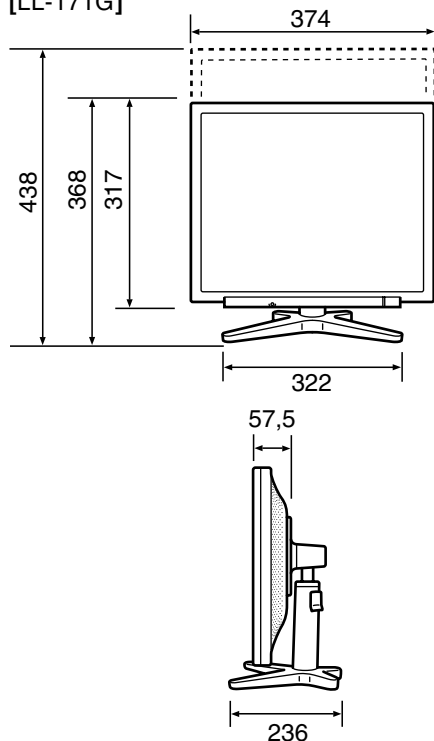
Technische Daten

Abmessungen (Einheiten: mm)

[LL-171A]



[LL-171G]



- Anlogsignalkabel: ca. 1,8 m
- Audiokabel: ca. 1,8 m

[LL-171G]

- Digitalsignalkabel: ca. 1,8 m
- Anlogsignalkabel, NL-C02E (separat erhältlich): ca. 2,0 m
- 2-Eingangskabel, NL-C03J (separat erhältlich): ca. 0,25 m

Hinweis:

- Bedingt durch fortlaufende technische Verbesserungen behält sich SHARP das Recht vor, das Design und die Spezifikationen ohne vorherige Ankündigung ändern zu können. Die angegebenen Leistungswerte stellen die Nennwerte einer in Serienherstellung produzierten Einheit dar. Geringe Abweichungen bei einzelnen Geräten sind möglich.

Technische Daten

Relevante Signaltakte (analog)

Anzeigemodus		Hsync	Vsync	Punktfrequenz
VESA	640x480	31,5kHz	60Hz	25,175MHz
		37,9kHz	72Hz	31,5MHz
		37,5kHz	75Hz	31,5MHz
	800x600	35,1kHz	56Hz	36,0MHz
		37,9kHz	60Hz	40,0MHz
		48,1kHz	72Hz	50,0MHz
		46,9kHz	75Hz	49,5MHz
	1024x768	48,4kHz	60Hz	65,0MHz
		56,5kHz	70Hz	75,0MHz
		60,0kHz	75Hz	78,75MHz
	1152x864	67,5kHz	75Hz	108,0MHz
	1280x960	60,0kHz	60Hz	108,0MHz
	1280x1024	64,0kHz	60Hz	108,0MHz
80,0kHz		75Hz	135,0MHz	
US-Text	720x400	31,5kHz	70Hz	28,3MHz
Power Macintosh-Serie	640x480	35,0kHz	66,7Hz	30,2MHz
	832x624	49,7kHz	74,6Hz	57,3MHz
	1024x768	60,2kHz	75Hz	80,0MHz
	1152x870	68,7kHz	75Hz	100,0MHz
	1280x1024	64,0kHz	60Hz	108,0MHz
80,0kHz		75Hz	135,0MHz	
Sun Ultra-Serie	1024x768	48,3kHz	60Hz	64,13MHz
		53,6kHz	66Hz	70,4MHz
		56,6kHz	70Hz	74,25MHz
	1152x900	61,8kHz	66Hz	94,88MHz
		71,8kHz	76,2Hz	108,23MHz
	1280x1024	71,7kHz	67,2Hz	117,01MHz
81,1kHz		76Hz	134,99MHz	

- Die empfohlene Auflösung ist 1280 x 1024.
- Alle nur mit Non-Interlace.
- Die Frequenzen für die Serien Power Macintosh und Sun Ultra sind lediglich Referenzwerte. Für den Anschluss ist evtl. ein anderer Adapter (im Handel erhältlich) notwendig.
- Wenn der Monitor Taktsignale empfängt, die nicht kompatibel sind, wird [OUT OF TIMING] angezeigt. Stimmen Sie den Takt anhand der Anweisungen im Computer-Benutzeranleitung auf den Monitor ab.
- Wenn der Monitor überhaupt kein Signal empfängt (Sync-Signal), wird [NO SIGNAL] angezeigt.

Relevante Signaltakte (digital) [LL-171G]

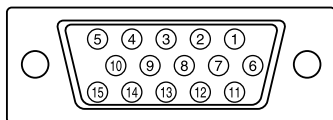
Anzeigemodus		Hsync	Vsync	Punktfrequenz
VESA	640x480	31,5kHz	60Hz	25,175MHz
		37,9kHz	72Hz	31,5MHz
		37,5kHz	75Hz	31,5MHz
	800x600	37,9kHz	60Hz	40,0MHz
		48,1kHz	72Hz	50,0MHz
		46,9kHz	75Hz	49,5MHz
		1024x768	48,4kHz	60Hz
	56,5kHz		70Hz	75,0MHz
	60,0kHz		75Hz	78,75MHz
	1152x864	67,5kHz	75Hz	108,0MHz
1280x960	60,0kHz	60Hz	108,0MHz	
1280x1024	64,0kHz	60Hz	108,0MHz	
US-Text	720x400	31,5kHz	70Hz	28,3MHz

- Die empfohlene Auflösung ist 1280 x 1024.
- Alle nur mit Non-Interlace.
- Ein Computer mit einem Ausgangsanschluss gemäß DVI (DVI-D24polig oder DVI-I29polig) und mit SXGA-Ausgangsfunktion kann hier angeschlossen werden.
(Unter Umständen erscheint die Anzeige nicht einwandfrei. Dies ist vom Typ des angeschlossenen Computers abhängig.)
- Wenn der Monitor Taktsignale empfängt, die nicht kompatibel sind, wird [OUT OF TIMING] angezeigt. Stimmen Sie den Takt anhand der Anweisungen im Computer-Benutzerhandbuch auf den Monitor ab.
- Wenn der Monitor überhaupt kein Signal empfängt (Sync-Signal), wird [NO SIGNAL] angezeigt.

Technische Daten

Pinbelegung des Analogsignal-Eingangsstecker

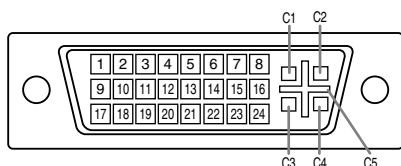
(15-poliger Mini-D-Sub-Stecker)



Nr.	Funktion
1	Roter Videosignaleingang
2	Grüner Videosignaleingang
3	Blauer Videosignaleingang
4	GND
5	GND
6	Für rotes Videosignal GND
7	Für grünes Videosignal GND
8	Für blaues Videosignal GND
9	+5V
10	GND
11	GND
12	DDC-Daten
13	Für Hsync-Signaleingang
14	Für Vsync-Signaleingang
15	DDC-Takt

Pinbelegung des DVI-I-Eingangssteckers [LL-171G]

(29-poliger DVI-I-Stecker)



Nr.	Funktion	Nr.	Funktion
1	TMDS-Daten 2-	16	Hot-Plug-Erkennung
2	TMDS-Daten 2+	17	TMDS-Daten 0-
3	TMDS-Daten 2/4 abgeschirmt	18	TMDS-Daten 0+
4	nicht belegt	19	TMDS-Daten 0/5 abgeschirmt
5	nicht belegt	20	nicht belegt
6	DDC-Takt	21	nicht belegt
7	DDC-Daten	22	TMDS-Takt abgeschirmt
8	Vertikal synchronisiertes Analogsignal	23	TMDS-Takt +
9	TMDS-Daten 1-	24	TMDS-Takt -
10	TMDS-Daten 1+	C1	Analoges rotes Bildsignal
11	TMDS-Daten 1/3 abgeschirmt	C2	Analoges grünes Bildsignal
12	nicht belegt	C3	Analoges blaues Bildsignal
13	nicht belegt	C4	Horizontal synchronisiertes Analogsignal
14	+5V	C5	Analog-GND
15	GND		

Power Management

Der LL-171A basiert auf VESA DPMS. Der LL-171G basiert auf sowohl VESA DPMS und DVI DMPM. Zum Aktivieren der Energiesparfunktion müssen die Videokarte und der verwendete Computer ebenfalls diesen Normen entsprechen.

DPMS: Display Power Management Signalling

DPMS-Modus	Bildschirm	Leistungsaufnahme	H-sync	V-sync
EIN	Anzeige ein	35 W	Ja	Ja
STANDBY	Anzeige aus	1 W	Nein	Ja
SUSPEND			Ja	Nein
AUS			Nein	Nein

DMPM: Digital Monitor Power Management [LL-171G]

DMPM-Modus	Bildschirm	Leistungsaufnahme
EIN	Anzeige ein	35 W
AUS	Anzeige aus	1 W

DDC (Plug & Play)

Dieser Monitor unterstützt den Standard VESA DDC (Display Data Channel). DDC ist ein Signalstandard zum Ausführen von Plug & Play-Funktionen am Monitor oder Computer. Er überträgt Informationen, beispielsweise den Auflösungsgrad, zwischen dem Monitor und dem Computer. Sie können diese Funktion anwenden, wenn Ihr Computer DDC-kompatibel und so gesetzt ist, dass er den Plug & Play-Monitor erkennen kann. Aufgrund der vielen verschiedenen Systeme gibt es viele Varianten von DDC. Dieser Monitor arbeitet mit DDC2B.

Installieren der Setup-Informationen und des ICC-Profiles (Für Windows)

Je nach dem verwendeten Computer oder Betriebssystem muss die Installation der Monitor-Setup-Informationen usw. eventuell über den Computer erfolgen. Führen Sie in diesem Fall die unten beschriebenen Schritte zum Installieren der Monitor-Setup-Informationen aus. (Je nach dem verwendeten Computertyp oder Betriebssystem können die Befehlsnamen und Verfahren von den hier beschriebenen abweichen. Lesen Sie auch das Benutzeranleitungs Ihres Computers.)

Informationen zum ICC-Profil

Ein ICC-Profil (International Color Consortium) ist eine Datei, in der die Farbwiedergabeeigenschaften des LCD-Monitors beschrieben sind. Durch Einsatz einer Anwendung, die mit einem ICC-Profil zusammenarbeitet, lässt sich hochgenaue Farbproduktion erzielen.

- Windows 98/2000/Me/XP verwenden alle das ICC-Profil.
- Beim Installieren der Setup-Informationen unter Windows 98/2000/Me/XP (unten beschrieben) wird auch das ICC-Profil installiert. Falls Sie nur das ICC-Profil installieren möchten, lesen Sie die Anweisungen unter **Installieren des ICC-Profiles** auf Seite 56.
- Bei Verwendung des ICC-Profiles folgende Einstellungen verwenden:
 - [DISPLAY MODE]: [STD] oder [OFFICE]
 - [WHITE BALANCE]: [STD]
 - [GAMMA]: [0]

Für Windows 95

Installieren der Monitor-Setup-Informationen unter Windows 95. Die in den nachstehenden Bedienungshinweisen erwähnten Windows-Meldungen basieren auf der englischen Windows-Version.

Dabei wird von Laufwerk "D" als CD-ROM-Laufwerk angenommen.

1. Die mitgelieferte CD-ROM in das CD-ROM-Laufwerk des Computer einlegen.
2. Klicken Sie auf die Schaltfläche [Start]. Wählen Sie unter [Settings] die Option [Control Panel].
3. Doppelklicken Sie auf [Display].
4. Klicken Sie auf [Settings], [Advanced Properties] und [Monitor] und dann auf [Change].
5. Klicken Sie auf [Have disk], bestätigen Sie, dass neben [Copy manufacturer's files from:] [D:] angezeigt wird, und klicken Sie dann auf [OK].
6. Bestätigen Sie, dass die Monitordetails ausgewählt sind, und klicken Sie auf [OK].
7. Prüfen Sie, ob der Monitor angezeigt wird, und klicken Sie dann auf [Apply].
8. Klicken Sie auf [OK], und schließen Sie das Fenster.

Für Windows 98

Installieren der Monitor-Setup-Informationen unter Windows 98 und Festlegen des Monitor-ICC-Profiles als vorbestimmter Wert. Die in den nachstehenden Bedienungshinweisen erwähnten Windows-Meldungen basieren auf der englischen Windows-Version.

Dabei wird von Laufwerk "D" als CD-ROM-Laufwerk angenommen.

Wenn der "Add New Hardware Wizard" angezeigt wird:

1. Die mitgelieferte CD-ROM in das CD-ROM-Laufwerk des Computer einlegen.
2. Klicken Sie auf [Next].
3. Aktivieren Sie [Display a list of all the drivers in a specific location, so you can select the driver you want.], und klicken Sie auf [Next].
4. Wenn [Models] angezeigt wird, klicken Sie auf [Have disk], bestätigen Sie, dass neben [Copy manufacturer's files from:] [D:] angezeigt wird, und klicken Sie dann auf [OK].
5. Bestätigen Sie, dass die Monitordetails ausgewählt sind, klicken Sie dann auf [Next], [Next] und auf [Finish]. Wenn der "Add New Hardware Wizard" angezeigt wird, wiederholen Sie die Installationsschritte ab Schritt 2.

Wenn der "Add New Hardware Wizard" nicht angezeigt wird:

1. Die mitgelieferte CD-ROM in das CD-ROM-Laufwerk des Computer einlegen.
2. Klicken Sie auf die Schaltfläche [Start]. Wählen Sie unter [Settings] die Option [Control Panel].
3. Doppelklicken Sie auf [Display].
4. Klicken Sie auf [Settings], [Advanced] und [Monitor].
5. Aktivieren Sie unter [Options] [Automatically detect Plug & Play monitors], und klicken Sie auf [Change].
6. Klicken Sie auf [Next].
7. Klicken Sie auf [Display a list of all the drivers in a specific location, so you can select the driver you want.] und dann auf [Next].
8. Wenn [Models] angezeigt wird, klicken Sie auf [Have disk], bestätigen Sie, dass neben [Copy manufacturer's files from:] [D:] angezeigt wird, und klicken Sie dann auf [OK].
9. Bestätigen Sie, dass die Monitordetails ausgewählt sind, klicken Sie dann auf [Next], [Next] und auf [Finish].
10. Prüfen Sie, ob der Monitor angezeigt wird, und klicken Sie dann auf [Apply].
11. Klicken Sie auf [OK], und schließen Sie das Fenster.

Installieren der Setup-Informationen und des ICC-Profiles (Für Windows)

Für Windows 2000

Installieren der Monitor-Setup-Informationen unter Windows 2000 und Festlegen des Monitor-ICC-Profiles als vorbestimmter Wert. Die in den nachstehenden Bedienungshinweisen erwähnten Windows-Meldungen basieren auf der englischen Windows-Version.

Dabei wird von Laufwerk "D" als CD-ROM-Laufwerk angenommen.

1. Die mitgelieferte CD-ROM in das CD-ROM-Laufwerk des Computer einlegen.
2. Klicken Sie auf die Schaltfläche [Start]. Wählen Sie unter [Settings] die Option [Control Panel].
3. Doppelklicken Sie auf [Display].
4. Klicken Sie auf [Settings], [Advanced] und [Monitor].
5. Klicken Sie auf [Properties], [Driver] und [Update Driver].
6. Wenn [Upgrade Device Driver Wizard] angezeigt wird, klicken Sie auf [Next].
7. Aktivieren Sie [Display a list of the known drivers for this device so that I can choose a specific driver], und klicken Sie auf [Next].
8. Wenn [Models] angezeigt wird, klicken Sie auf [Have disk], bestätigen Sie, dass neben [Copy manufacturer's files from:] [D:] angezeigt wird, und klicken Sie dann auf [OK].
9. Wählen Sie den Monitor aus der angezeigten Liste aus, und klicken Sie auf [Next].
10. Klicken Sie auf [Next], vergewissern Sie sich, dass der Name des Monitors angezeigt wird, und klicken Sie auf [Finish]. Wenn [The Digital Signature Not Found] angezeigt wird, klicken Sie auf [Yes].
11. Klicken Sie auf [Close].
12. Klicken Sie auf [OK], und schließen Sie das Fenster.

Für Windows Me

Installieren der Monitor-Setup-Informationen unter Windows Me und Festlegen des Monitor-ICC-Profiles als vorbestimmter Wert. Die in den nachstehenden Bedienungshinweisen erwähnten Windows-Meldungen basieren auf der englischen Windows-Version.

Dabei wird von Laufwerk "D" als CD-ROM-Laufwerk angenommen.

Wenn der "Add New Hardware Wizard" angezeigt wird:

1. Die mitgelieferte CD-ROM in das CD-ROM-Laufwerk des Computer einlegen.
2. Aktivieren Sie [Specify the location of the driver [Advanced]], und klicken Sie auf [Next].
3. Aktivieren Sie [Display a list of all the drivers in a specific location, so you can select the driver you want.], und klicken Sie auf [Next].
4. Wenn [Models] angezeigt wird, klicken Sie auf [Have disk], bestätigen Sie, dass neben [Copy manufacturer's files from:] [D:] angezeigt wird, und klicken Sie dann auf [OK].
5. Wählen Sie die Monitordetails aus der Liste aus, klicken Sie dann auf [Next], [Next] und auf [Finish]. Wenn der "Add New Hardware Wizard" angezeigt wird, wiederholen Sie die Installationsschritte ab Schritt 2.

Wenn der "Add New Hardware Wizard" nicht angezeigt wird:

1. Die mitgelieferte CD-ROM in das CD-ROM-Laufwerk des Computer einlegen.
2. Klicken Sie auf die Schaltfläche [Start]. Wählen Sie unter [Settings] die Option [Control Panel].
3. Doppelklicken Sie auf [Display].
4. Klicken Sie auf [Settings], [Advanced] und [Monitor].
5. Aktivieren Sie unter [Options] [Automatically detect Plug & Play monitors], und klicken Sie auf [Change].
6. Aktivieren Sie [Specify the location of the driver [Advanced]], und klicken Sie auf [Next].
7. Aktivieren Sie [Display a list of all the drivers in a specific location, so you can select the driver you want.], und klicken Sie auf [Next].
8. Wenn [Models] angezeigt wird, klicken Sie auf [Have disk], bestätigen Sie, dass neben [Copy manufacturer's files from:] [D:] angezeigt wird, und klicken Sie dann auf [OK].
9. Wählen Sie die Monitordetails, klicken Sie dann auf [Next], [Next] und auf [Finish].
10. Prüfen Sie, ob die Monitordetails angezeigt werden, und klicken Sie dann auf [Apply].
11. Klicken Sie auf [OK], und schließen Sie das Fenster.

Installieren der Setup-Informationen und des ICC-Profiles (Für Windows)

Für Windows XP

Installieren der Monitor-Setup-Informationen unter Windows XP und Festlegen des Monitor-ICC-Profiles als vorbestimmter Wert. Die in den nachstehenden Bedienungshinweisen erwähnten Windows-Meldungen basieren auf der englischen Windows-Version.

Dabei wird von Laufwerk "D" als CD-ROM-Laufwerk angenommen.

1. Die mitgelieferte CD-ROM in das CD-ROM-Laufwerk des Computer einlegen.
2. Klicken Sie auf die Schaltfläche [Start]. Wählen [Control Panel].
3. Wechseln Sie auf "Classic View".
4. Doppelklicken Sie auf [Display].
5. Klicken Sie auf [Settings], [Advanced] und [Monitor].
6. Klicken Sie auf [Properties], [Driver] und [Update Driver].
7. Wenn [Hardware Update Wizard] angezeigt wird, aktivieren Sie [Install from a list or specific location [Advanced]], und klicken Sie auf [Next].
8. Aktivieren Sie [Don't search. I will choose the driver to install.], und klicken Sie auf [Next].
9. Aktivieren Sie [Have Disk], bestätigen Sie, dass neben [Copy manufacturer's files from:] [D:] angezeigt wird, und klicken Sie dann auf [OK].
10. Wählen Sie den Monitor aus der angezeigten Liste aus, und klicken Sie auf [Next]. Wenn [has not passed Windows Logo testing...] angezeigt wird, klicken Sie auf [Continue Anyway].
11. Vergewissern Sie sich, dass der Name des Monitors angezeigt wird, und klicken Sie auf [Finish].
12. Klicken Sie auf [Close].
13. Klicken Sie auf [OK], und schließen Sie das Fenster.

Installieren des ICC-Profiles

Installieren des Monitor-ICC-Profiles. (Wenn die Setup-Informationen bereits installiert wurden, ist auch das Profil bereits installiert. Es braucht dann nicht mehr extra installiert zu werden.)

Die in den nachstehenden Bedienungshinweisen erwähnten Windows-Meldungen basieren auf der englischen Windows-Version.

Dabei wird von Laufwerk "D" als CD-ROM-Laufwerk angenommen.

1. Die mitgelieferte CD-ROM in das CD-ROM-Laufwerk des Computer einlegen.
 2. Klicken Sie auf die Schaltfläche [Start]. Wählen Sie unter [Settings] die Option [Control Panel].
 3. Doppelklicken Sie auf [Display].
 4. Klicken Sie auf [Settings] und [Advanced].
 5. Klicken Sie auf [General], und wählen Sie unter [Compatibility] die Option [Apply the new display setting without restarting]. Klicken Sie dann auf [Color Management].
 6. Klicken Sie auf [Add], und wählen Sie als Dateipfad CD-ROM aus.
 7. Wählen Sie das Farbprofil, das Sie installieren möchten, und klicken Sie auf [Add].
 8. Wählen Sie das Profil, und klicken Sie auf [Set As Default].
 9. Klicken Sie auf [OK], und schließen Sie das Fenster.
- Bei Verwendung des ICC-Profiles folgende Einstellungen verwenden:
 - [DISPLAY MODE]: [STD] oder [OFFICE]
 - [WHITE BALANCE]: [STD]
 - [GAMMA]: [0]

Informationen zum Profil ColorSync (Für MacOS)

Informationen zum Profil ColorSync

ColorSync ist das Farbverwaltungssystem von Apple Computers. Mit dieser Funktion erkennt das System die Farbwiedergabeeigenschaften bei Verwendung mit einer kompatiblen Anwendung.

Ein ColorSync-Profil beschreibt die Farbeigenschaften des LCD-Monitors.

Hinweise:

- Das ColorSync-Profil dieses Monitors kann zusammen mit MacOS 8.5 oder höher eingesetzt werden.
- Bei Verwendung des ColorSync-Profiles folgende Einstellungen verwenden:
 - [DISPLAY MODE]: [STD] oder [OFFICE]
 - [WHITE BALANCE]: [STD]
 - [GAMMA]: [0]

Einstellen des Profils ColorSync

Hinweise:

- Auf Ihrem System muss entweder **PC Exchange** oder **File Exchange** installiert sein.
 - Je nach dem verwendeten Computertyp oder Betriebssystem können die Befehlsnamen und Verfahren von den hier beschriebenen abweichen. Lesen Sie auch das Benutzeranleitung Ihres Computers.
1. Die mitgelieferte CD-ROM in das CD-ROM-Laufwerk des Computer einlegen.
 2. Kopieren Sie das zu verwendende Profil von der CD-ROM zum Profilordner ColorSync im Systemordner.
 3. Wählen Sie mit Hilfe von ColorSync im Kontrollfeld das zu verwendende Profil aus.

Anweisungen zum Anbringen eines VESA-kompatiblen Monitorarms

Ein Arm oder Fuß basierend auf dem VESA-Standard (im Handel erhältlich) kann am Monitor angebracht werden. Der Arm oder Fuß muss vom Kunden gesondert erworben werden.

Verwendbare Arme oder Füße

Wenn ein Arm oder Fuß installiert werden soll, ist folgendes zu beachten.

- Kompatibilität mit dem VESA-Standard.
- Zwischen den Schraubenbohrungen in dem zu befestigenden Abschnitt muss ein Abstand von mindestens 100 mm x 100 mm vorliegen.
- Er darf nicht abfallen oder abbrechen, nachdem er am Monitor befestigt wurde.

Befestigen des Arms oder Fußes

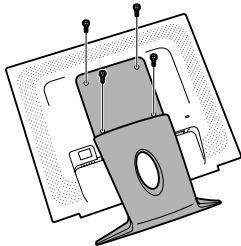
- Achten Sie darauf, dass Sie das Kabel nicht überdehnen, und schließen Sie kein Verlängerungskabel an, da dies Funktionsstörungen hervorrufen kann.
- Neben diesen Anweisungen lesen Sie auch die Installationsanweisungen in der Bedienungsanleitung, die im Lieferumfang des Arms oder Fußes enthalten ist.

ACHTUNG!

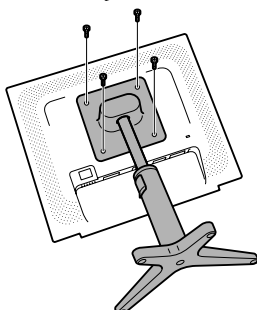
- Darauf achten, nicht die Finger zwischen Display und Fuß einzuklemmen oder den Fuß fallenzulassen. Dabei besteht die Gefahr von Verletzungen.

1. Die Kabel abtrennen.
2. Breiten Sie ein weiches Tuch auf einer waagerechten Oberfläche aus.
3. Legen Sie den Monitor mit der Anzeigeseite nach unten darauf. Achten Sie dabei darauf, dass der Monitor nicht beschädigt wird.
 - Beim LL-171G ziehen Sie den Fuß so weit wie möglich aus und sperren ihn, bevor Sie den Monitor positionieren. (S.37)
4. Lösen Sie die vier Schrauben, und nehmen Sie den Ständer vom Monitor ab.

[LL-171A]



[LL-171G]



Hinweise:

- Der Fuß ist nur für diesen Monitor bestimmt, verwenden Sie ihn für keine anderen Geräte oder nutzen Sie ihn auf keine andere Weise.
- Wir empfehlen, die vier abgenommenen Schrauben zusammen mit dem abgenommenen Fuß aufzubewahren, damit Sie den Fuß wieder mit den dazugehörigen Schrauben verwenden können. Die Verwendung anderer Schrauben kann zu Fehlfunktionen führen.



ACHTUNG:

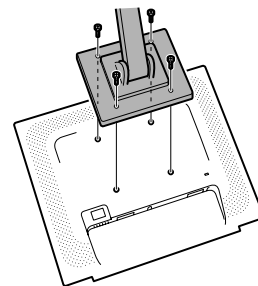
Nicht den Ständer zerlegen. Bauteile können herauspringen und Verletzungen verursachen.



ACHTUNG:

Lagern Sie den Fuß des LL-171G in seiner am weitesten ausgestreckten Position. Wenn der Fuß in eingeschobenem Zustand gelagert wird, kann die Sperre versehentlich gelöst werden, und der Fuß könnte sich plötzlich ausstrecken, was Verletzungen verursachen kann.

5. Befestigen Sie den Arm mit den vier Schrauben am Monitor.



Hinweis:

- Zur Befestigung des Arms sollten M4-Schrauben verwendet werden, die in einer Länge von 4 - 5 mm über die Fläche, an der sie befestigt werden, hervorstehen. Wenn Sie eine andere Schraubenart verwenden, kann der Monitor herunterfallen oder im Inneren beschädigt werden.

4 - 5 mm



Schraube zur Befestigung des Arms

Arm

Teil des Monitors, an dem der Arm befestigt wird

Table des matières

Conseils et mesures de sécurité	60
Description du produit	62
Réglage de l'inclinaison et de la hauteur	63
Raccordement, activation et désactivation du moniteur	64
Fixation des câbles [LL-171G]	64
Raccordement du moniteur à un ordinateur	64
Raccordement d'un casque audio (en vente dans le commerce)	67
Raccordement du moniteur à une source d'alimentation	67
Activation de l'alimentation	67
Inversion entre les bornes d'entrée [LL-171G]	68
Désactivation de l'alimentation	68
Réglage de l'affichage du moniteur et du volume des haut-parleurs	69
Réglage du rétro-éclairage	69
Réglage du volume des haut-parleurs	70
Réglage du mode d'affichage	70
Confirmation des informations sur l'appareil	70
Réglage de l'affichage du moniteur	71
Réglage automatique de l'écran (avec un signal analogique)	71
Réglage manuel de l'écran	72
Entretien du moniteur	75
Entretien du moniteur	75
Stockage	75
Dépannage	75
Caractéristiques techniques	76
Installation des fichiers relatifs au paramétrage du moniteur et au profil ICC (Pour Windows)	80
Informations sur le profil ColorSync (Pour MacOS)	83
Instructions relatives à l'installation d'un bras conforme VESA	84

Conseils et mesures de sécurité

- Le panneau couleur LCD TFT utilisé dans ce moniteur est fabriqué avec une technologie de haute précision. Cependant, il peut avoir quelques points minuscules sur l'écran où les pixels ne s'allument jamais ou sont allumés en permanence. De plus, si l'écran est regardé avec un angle aigu, les couleurs ou la luminosité peuvent paraître inégales. Noter que ce n'est pas un mauvais fonctionnement mais un phénomène courant des écrans LCD et que cela n'affecte aucunement les performances du moniteur.
- Ne pas laisser le moniteur en veille inutilement pendant de longues périodes car cela pourrait provoquer l'apparition d'image récurrente.
- Si la luminosité est ajustée à son réglage minimum, il peut s'avérer difficile de consulter le moniteur.
- La qualité du signal de l'ordinateur peut influencer la qualité de la diffusion du moniteur. Il est recommandé d'utiliser un ordinateur capable d'émettre des signaux vidéo de haute qualité.
- Ne jamais heurter ou taper sur le moniteur avec des objets durs.
- Il faut savoir que la société Sharp décline toute responsabilité en cas d'erreur survenue durant l'utilisation par le client ou une tierce personne, ainsi qu'en cas de dysfonctionnement ou d'un endommagement causé au produit en cours d'utilisation, excepté lorsque qu'un dédommagement sous garantie est reconnu par la loi.
- Ce moniteur ainsi que ces accessoires sont susceptibles d'évoluer sans avis préalable.

Lieu d'installation

- Ne pas utiliser le moniteur dans un endroit faiblement ventilé, poussiéreux, relativement humide, ou encore là où il est susceptible d'entrer en contact avec de l'huile ou de la vapeur car cela pourrait provoquer un début d'incendie.
- S'assurer que le moniteur ne sera pas entré en contact avec de l'eau ou d'autres fluides. S'assurer que des agrafes ou des attaches trombones ne pénètrent pas à l'intérieur du moniteur car cela pourrait provoquer un début d'incendie ou des chocs électriques.
- Ne pas installer le moniteur au-dessus d'objets instables ou dans des endroits peu sûrs. Faire attention que le moniteur ne reçoive pas de chocs important ni de vibrations. Laisser tomber le moniteur peut l'endommager sérieusement.
- Ne pas utiliser le moniteur dans des endroits où il est susceptible d'être exposé à la lumière directe du soleil, à proximité d'une source de chaleur ou partout ailleurs où il risque d'être soumis à des températures élevées ; cela peut mener à des dégagements excessifs de chaleur et conduire à un début d'incendie.

Le cordon d'alimentation électrique

- Ne pas endommager le cordon d'alimentation, ne pas déposer d'objets lourds sur le cordon, ne pas l'étendre ni le plier de manière excessive. Ne pas y ajouter de rallonge non plus. Tout endommagement du cordon d'alimentation peut entraîner un début d'incendie ou des chocs électriques.
- Utilisez uniquement le cordon d'alimentation fourni avec le moniteur.
- Insérer la prise d'alimentation directement dans la prise de secteur. Ajouter une rallonge peut entraîner une surchauffe, voire un début d'incendie.
- Ne débranchez pas ni ne branchez la prise d'alimentation avec des mains humides. En le faisant, vous risquez l'électrocution.

Conseils et mesures de sécurité

Moniteur et liste des accessoires

- S'assurer que les éléments suivants sont bien présents dans l'emballage :
 - Moniteur LCD (1)
 - Câble de signal analogique (1)
(nom du modèle : 0NW1738GAB01A)
 - [LL-171G] Câble de signal numérique (1)
(nom du modèle : 0NW1748LAB007)
 - Câble audio (1)
(nom du modèle : 0NW0173056023)
 - [LL-171G] Serre-câbles (2)
 - CD-ROM (1)
 - Mode d'emploi (1)

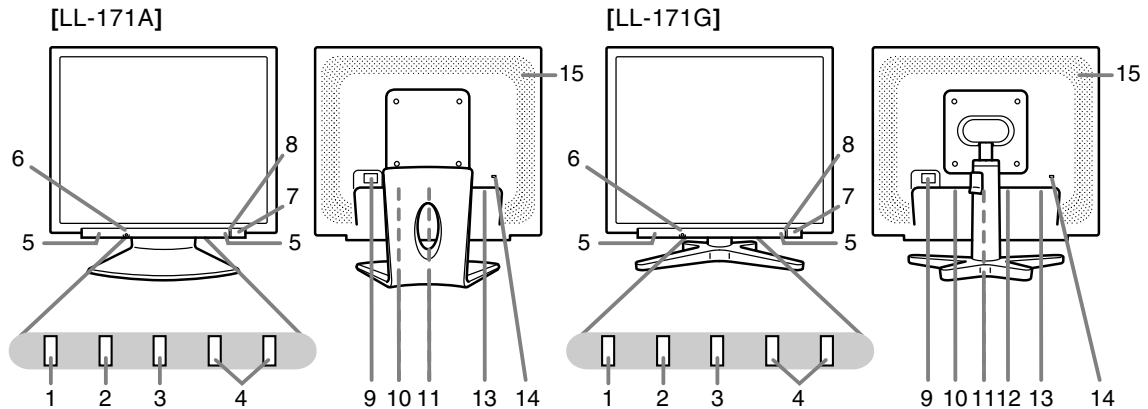
Remarques :

- [LL-171A] Utilisez uniquement les câbles fournis avec le moniteur.
- S'assurer que les câbles utilisés font moins de 3 mètres.
- [LL-171G] Le câble de signal analogique (broche DVI-I29 – mini D-sub15 broches) est à acheter séparément.
(nom du modèle : NL-C02E)
- [LL-171G] Le câble à 2 entrées (broche DVI-I29 – broche DVI-D24/mini D-sub 15 broches) est à acheter séparément.
(nom du modèle : NL-C03J)
- Il est conseillé de conserver le carton d'emballage pour le cas où le moniteur devrait être transporté.
- Sharp Corporation détient les droits d'auteur du programme Utility Disk. Ne pas le reproduire sans autorisation préalable.
- Il se peut que la forme des accessoires fournis diffère légèrement de celle des accessoires décrits dans ce mode d'emploi.

Étendue du mode d'emploi

- Ce manuel a été rédigé pour l'utilisation des modèles LL-171A et LL-171G. Lorsqu'il est décrit des caractéristiques différentes entre les modèles, le nom du modèle est également cité. (Si le nom du modèle n'est pas cité, la description est valable pour les deux modèles. Pour la représentation du produit, des illustrations du modèle LL-171A sont utilisées dans ce mode d'emploi.)
- Dans ce mode d'emploi, "Windows XP" fera référence à Microsoft Windows XP, "Windows Me" à Microsoft Windows Millennium, "Windows 2000" à Microsoft Windows 2000, "Windows 98" à Microsoft Windows 98, "Windows 95" à Microsoft Windows 95, et "Windows 3.1" à la version 3.1 de Microsoft Windows ; lorsqu'il n'y aura pas lieu de distinguer les programmes, le terme "Windows" sera utilisé.
- Microsoft et Windows sont des marques déposées de la Microsoft Corporation.
- Macintosh est une marque déposée de Apple Computer, Inc.
- Toutes les autres marques sont la propriété des compagnies respectives.

Description du produit



1. Bouton AUTO [LL-171A] Ce bouton est utilisé pour effectuer le réglage automatique sur l'écran (CLOCK, PHASE, H-POS et V-POS). (p.71)
- Bouton INPUT [LL-171G] Pour passer d'une borne d'entrée du signal à l'autre.
2. Bouton MENU Ce bouton est utilisé pour faire apparaître, sélectionner et refermer le menu OSD (On Screen Display).
3. Bouton ▼ / MODE Lorsque le menu OSD est affiché :
Ce bouton est utilisé pour sélectionner les options du menu.
Lorsque le menu OSD n'est pas affiché :
Ce bouton est utilisé pour régler DISPLAY MODE.
4. ◀▶ boutons Lorsque le menu OSD est affiché :
Ces boutons sont utilisés pour sélectionner une option ou pour régler la valeur de l'option sélectionnée.
Lorsque le menu OSD n'est pas affiché :
Ces boutons sont utilisés pour ajuster la luminosité du rétro-éclairage et le volume des haut-parleurs.
5. Haut-parleurs Les signaux audio entrant via un appareil extérieur connecté au moniteur peuvent être écoutés.
6. Borne pour casque audio Un casque audio (en vente dans le commerce) peut y être connecté.
7. Bouton d'alimentation Appuyez sur ce bouton pour mettre sous tension le moniteur.
Appuyez à nouveau sur ce bouton pour mettre le moniteur hors tension.
8. Diode d'alimentation Cette diode est éclairée en vert lorsque le moniteur est en cours d'utilisation, et en orange lorsqu'il se trouve en mode d'économie d'énergie.
9. Interrupteur principal
10. Borne d'alimentation
11. Borne d'entrée audio La borne de sortie audio d'un ordinateur peut y être connectée. Le câble audio fourni doit être utilisé.
12. Borne d'entrée DVI-I [LL-171G]... (INPUT-2) La borne de sortie numérique RVB ou la borne de sortie analogique RVB de l'ordinateur peut être raccordée ici.
Pour une entrée de signal numérique : Elle peut être raccordée à un ordinateur avec une borne de sortie compatible DVI (broche DVI-D24 ou broche DVI-I29) et avec une capacité de sortie SXGA. Selon l'ordinateur à raccorder, un affichage correct peut être possible ou non.
13. Borne d'entrée analogique RVB ... (INPUT-1) Le câble de signal analogique est raccordé. Le câble de signal analogique fourni doit être utilisé.
14. Ancrage du verrou de sécurité ... En installant un verrou de sécurité (en vente dans le commerce) sur l'ancrage du verrou de sécurité, le moniteur reste fixé et ne peut donc pas être transporté.
Les trous de prévention antivol sont adaptés aux systèmes de sécurité Kensington Micro Saver.
15. Ouvertures de ventilation Ne jamais obstruer les ouvertures de ventilation car cela peut entraîner une surchauffe à l'intérieur du moniteur et provoquer un dysfonctionnement.

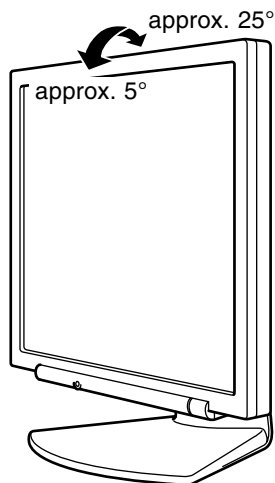
Réglage de l'inclinaison et de la hauteur

ATTENTION !

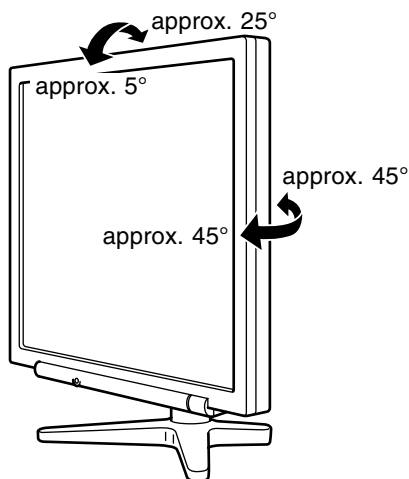
- Assurez vous de bien saisir les deux bords du moniteur lorsque vous réglez l'angle de vue. Le panneau LCD de cet appareil est en verre. Appuyer les mains sur le panneau LCD peut provoquer son endommagement.
- Prendre garde de ne pas se coincer les doigts.

Réglage de l'inclinaison

[LL-171A]

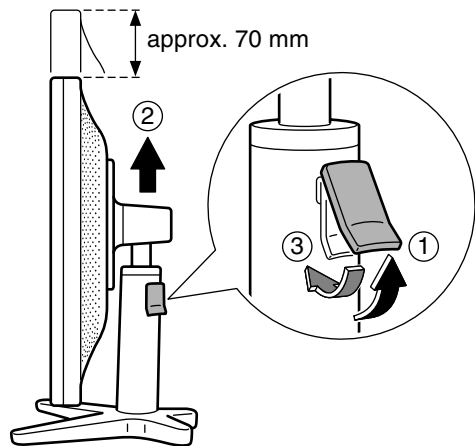


[LL-171G]



Réglage de la hauteur [LL-171G]

1. Relâcher le verrouillage.
2. Ajuster la hauteur du support.
3. Resserrer le verrouillage.



ATTENTION !

- Assurez-vous bien de relâcher le verrouillage avant d'ajuster la hauteur du support. Tirer ou pousser en force sur le support lorsqu'il est verrouillé peut provoquer le produit.
- S'assurer que le support est correctement bloqué sauf pendant le réglage de sa hauteur.

Raccordement, activation et désactivation du moniteur

ATTENTION !

- Lors du raccordement, s'assurer que l'alimentation tant du moniteur que de l'ordinateur est désactivée.
- Ne pas courber le câble de manière excessive ni y ajouter de rallonge car cela peut provoquer un dysfonctionnement.

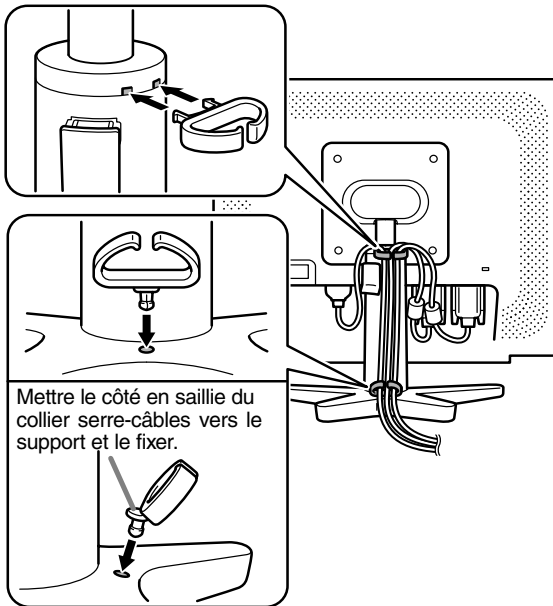
Fixation des câbles [LL-171G]

Utiliser le serre-câbles fourni pour fixer les câbles connectés aux bornes.

Les serres-câbles supérieur et inférieur ont des formes différentes. Vérifier la forme des serres avant de les fixer sur le support.

ATTENTION !

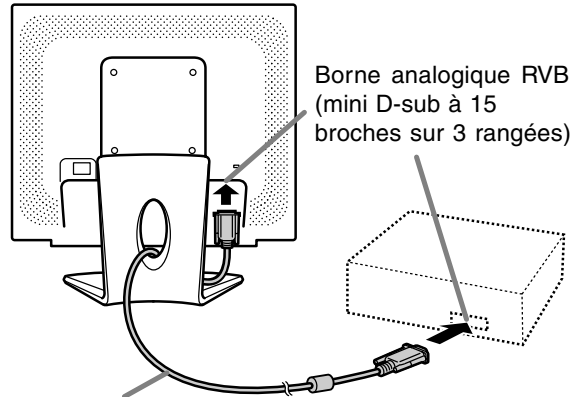
- Lorsque vous réglez l'angle de vue, les câbles peuvent être tirés. Par conséquent fixez les câbles en gardant suffisamment de mou.



Raccordement du moniteur à un ordinateur

Connexion analogique [LL-171A]

Raccorder le câble de signal analogique fourni à la borne de sortie analogique RVB de l'ordinateur.



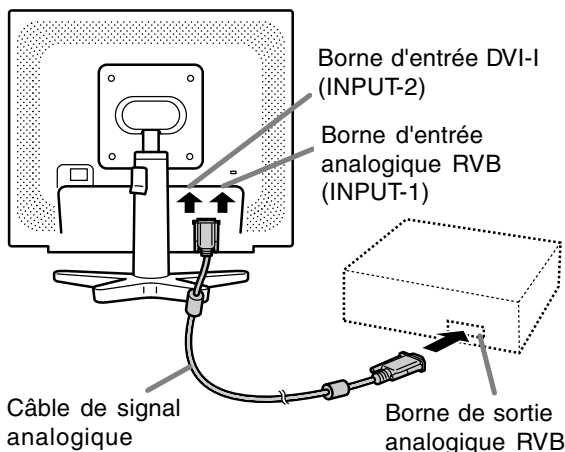
- Tout en faisant attention à la direction du connecteur, insérez bien et verticalement le câble pour signal dans le connecteur et ensuite, serrez les vis des deux côtés.

Raccordement, activation et désactivation du moniteur

Connexion analogique [LL-171G]

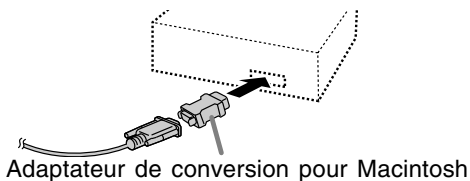
Raccorder le câble de signal analogique fourni ou un câble de signal analogique vendu séparément (nom du modèle : NL-C02E) à la borne de sortie analogique RVB de l'ordinateur.

- Raccorder le câble de signal analogique fourni en accessoire à la borne d'entrée analogique RVB (INPUT-1).
- Raccorder le câble de signal analogique vendu séparément (nom du modèle : NL-C02E) à la borne d'entrée DVI-I (INPUT-2).



- Tout en faisant attention à la direction du connecteur, insérez bien et verticalement le câble pour signal dans le connecteur et ensuite, serrez les vis des deux côtés.

S'il s'agit d'un D-sub à 15 broches sur 2 rangées pour Apple Power Macintosh, installer un adaptateur de conversion Macintosh (en vente dans le commerce) sur le câble de signal analogique.



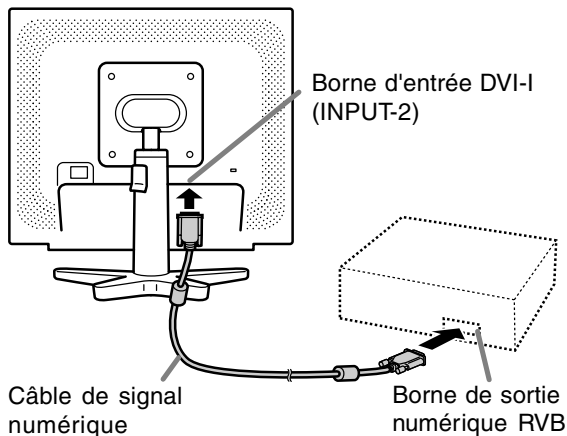
Remarque :

- Si la connexion se fait sur la série Sun Ultra, il se peut qu'un adaptateur de conversion (en vente dans le commerce) soit indispensable.

Connexion numérique [LL-171G]

Raccorder le câble de signal numérique (fourni en accessoire) à la borne de sortie numérique RVB de l'ordinateur.

- Le moniteur est équipé d'une entrée pour un raccordement avec un ordinateur au moyen d'un connecteur de sortie compatible DVI (DVI-D24 broches ou DVI-I29 broches) et une possibilité de sortie SXGA. (En fonction du type d'ordinateur à raccorder, l'écran risque de ne pas fonctionner correctement.)



- Tout en faisant attention à la direction du connecteur, insérez bien et verticalement le câble pour signal dans le connecteur et ensuite, serrez les vis des deux côtés.

Configurer le moniteur comme suit lors de l'établissement d'un raccordement numérique avec un Power Mac au moyen d'un adaptateur ADC-DVI fabriqué par Belkin. (Le fonctionnement a été vérifié avec le Power Mac G4 M7627J/A.)

- Ces réglages doivent être effectués alors que le Power Mac est éteint.

1. Après avoir branché le cordon d'alimentation, activer la source d'alimentation principale du moniteur.
2. Presser simultanément les boutons ◀ et ▶, ainsi que le bouton d'alimentation (c'est-à-dire allumer le moniteur).



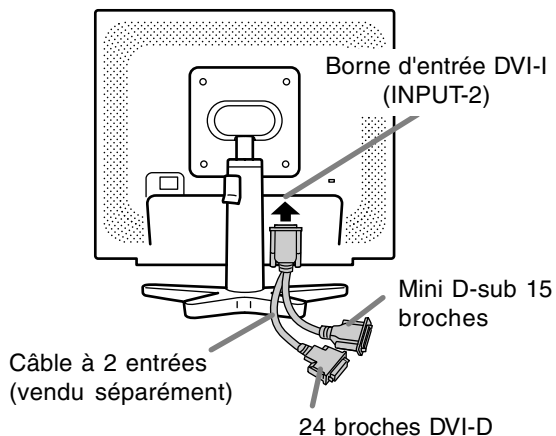
3. Définir le paramètre sur [ON] avec les boutons ◀ et ▶.
 - Ne pas régler sur [ON] si vous n'utilisez pas d'adaptateur ADC-DVI Belkin ; cela risque de perturber l'affichage.
4. Presser le bouton MENU.
Cette opération clôt la configuration.

Raccordement, activation et désactivation du moniteur

Lors du raccordement au moyen d'un câble à 2 entrées vendu séparément [LL-171G]

Le câble à 2 entrées (nom du modèle : NL-C03J), vendu séparément, permet la connexion entre la borne d'entrée DVI-I du moniteur et deux ordinateurs. (Une connexion analogique et une connexion numérique.)

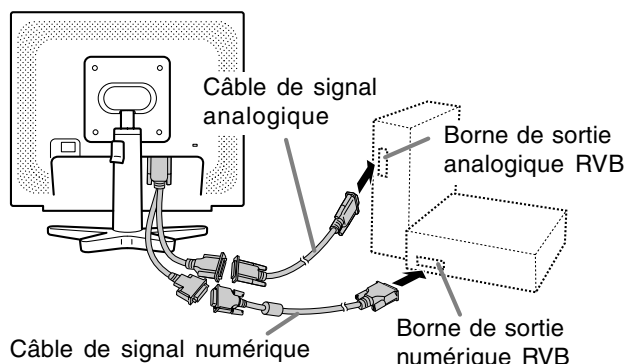
1. Raccorder le câble à 2 entrées à la prise d'entrée DVI-I du moniteur.



2. Raccorder le câble de signal analogique (fourni en accessoire ou vendu dans le commerce) et le câble de signal numérique (fourni en accessoire) au câble à 2 entrées.

- Si un câble de signal analogique vendu dans le commerce est utilisé, ses deux extrémités doivent être à 15 broches mini D-sub.

3. Reliez chaque câble de signal à l'un des ordinateurs.



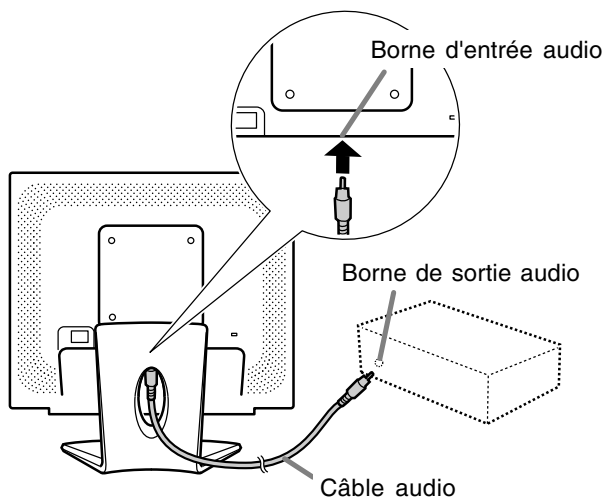
- Tout en prêtant attention à la direction du connecteur, insérer fermement le câble de signal à cet endroit et resserrer les vis des deux côtés.

Remarques :

- Pour utiliser un câble à 2 entrées, régler la borne d'entrée de connexion [INPUT-2] à [2LINES] avec le menu de MODE SELECT-2 (p.74).
- Le moniteur relié au câble à 2 entrées par le truchement de la connexion analogique n'est pas nécessairement reconnu ni pris en compte par la fonction Plug & Play. En ce cas, effectuez manuellement l'enregistrement des fichiers relatifs au paramétrage (p.80).

Connecter le câble audio fourni

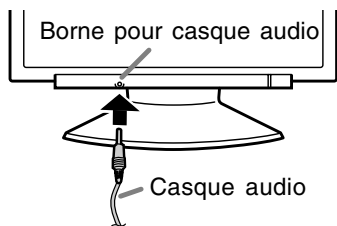
Quand le câble audio fourni est connecté à la borne de sortie audio de l'ordinateur, le son de l'ordinateur connecté est sorti par les haut-parleurs du moniteur. Il est aussi possible d'utiliser la prise casque du moniteur.



Raccordement, activation et désactivation du moniteur

Raccordement d'un casque audio (en vente dans le commerce)

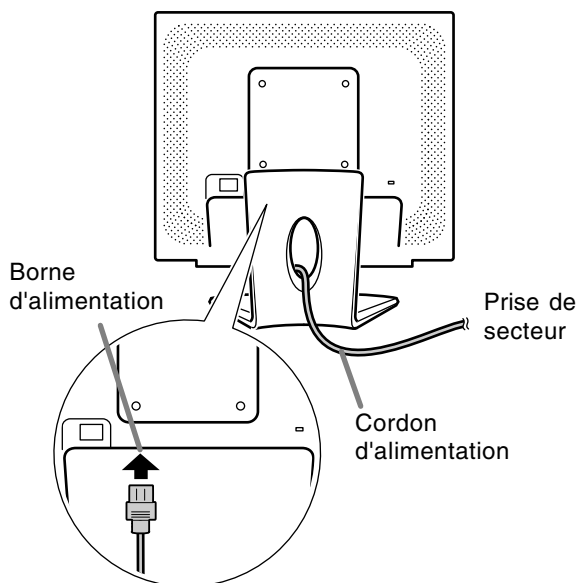
Un casque audio (en vente dans le commerce) peut être raccordé.



Remarque :

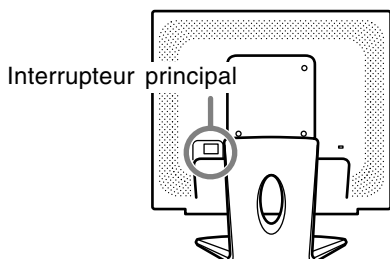
- Lorsque les casques audio sont connectés, aucun son ne peut être émis à partir des haut-parleurs du moniteur.

Raccordement du moniteur à une source d'alimentation



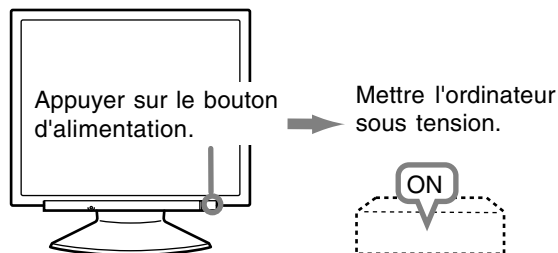
Activation de l'alimentation

1. Activer la source d'alimentation principale du moniteur.



- Pour allumer et éteindre avec l'interrupteur principal, toujours laisser un intervalle d'au moins 5 secondes. Une manœuvre trop rapide risque de causer des dysfonctionnements.

2. Appuyer sur le bouton d'alimentation du moniteur.
3. Mettre l'ordinateur sous tension.



Quand un signal arrive en entrée en provenance de l'ordinateur, la diode d'alimentation s'allume en vert, et l'écran s'affiche (après la mise sous tension, il peut s'écouler un peu de temps avant que l'image ne s'affiche).

Remarque pour le modèle LL-171G:

- Si la borne d'entrée à laquelle l'ordinateur est raccordé n'a pas été sélectionnée, l'image ne s'affichera pas. Au besoin, intervertir la sélection des bornes d'entrée. (p.68)

Remarques :

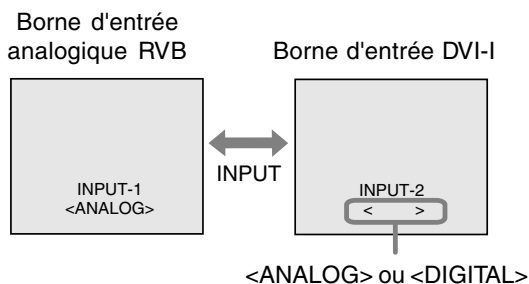
- Si le signal est analogique, effectuez un réglage automatique d'écran si l'une des conditions suivantes est satisfaite (p.71) :
- Il s'agit de la première utilisation du moniteur.
- Les paramètres système ont été modifiés en cours d'utilisation.
- Quand vous utilisez le LL-171G avec une connexion numérique, le réglage automatique d'écran n'est pas nécessaire.
- En fonction du système d'exploitation ou de l'ordinateur, il peut s'avérer nécessaire d'installer les fichiers relatifs au paramétrage du moniteur du moniteur. (p.80)
- En cas de raccordement à un ordinateur portable, si l'écran de ce dernier est réglé de façon à afficher en même temps, l'écran MS-DOS peut ne pas s'afficher correctement. Dans ce cas, modifier les paramètres afin que le moniteur soit le seul à afficher.

Raccordement, activation et désactivation du moniteur

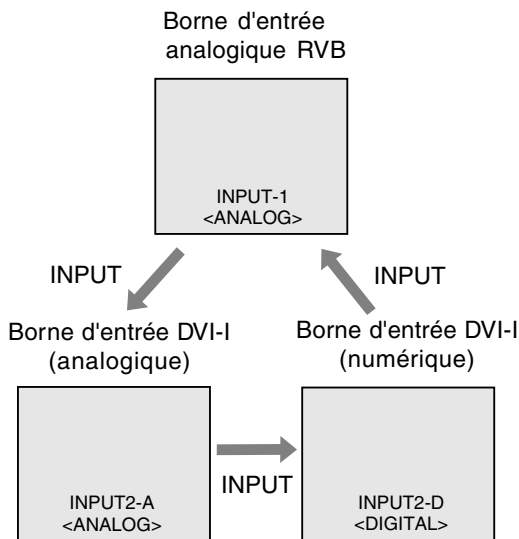
Inversion entre les bornes d'entrée

[LL-171G]

Utiliser le bouton INPUT pour basculer entre les bornes d'entrée.



Si vous utilisez un câble à 2 entrées



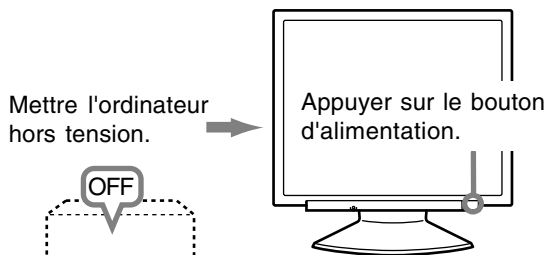
Remarque :

- Si aucun signal n'est appliqué à l'entrée, [NO SIGNAL] s'affiche.

Désactivation de l'alimentation

1. Mettre l'ordinateur hors tension.
2. Appuyer sur le bouton d'alimentation du moniteur.

La diode d'alimentation s'éteint.



Si le moniteur devait ne pas être utilisé pendant une période de temps prolongée, arrêter l'alimentation principale du moniteur, puis débrancher la prise d'alimentation de la prise de secteur.

Réglage de l'affichage du moniteur et du volume des haut-parleurs

Pour le signal analogique

1. Effectuer tout d'abord un réglage automatique. (p.71)
2. Effectuer au besoin un réglage manuel. (p.72)

Pour le signal numérique [LL-171G]

Le moniteur peut généralement être utilisé sans réglage. Effectuer au besoin un réglage manuel. (p.72)

Remarque :

- Tous les réglages seront sauvegardés, même après la mise hors tension du moniteur.

Retour de tous les paramètres de réglage aux valeurs initiales

Tous les paramètres peuvent être remis à leurs valeurs initiales définies en usine par une seule commande.

1. Mettre le moniteur hors tension.
2. Appuyer simultanément sur les boutons MENU et ▼ / MODE, ainsi que le bouton d'alimentation (c'est-à-dire réactiver l'alimentation). Continuer d'appuyer sur les boutons jusqu'à ce que [ALL RESET] s'affiche sur l'écran. Le retour aux valeurs initiales est terminé quand le message affiché disparaît.

Remarques :

- Pendant que [ALL RESET] est affiché sur l'écran du moniteur, les boutons de commande ne sont plus opérationnels.
- Il n'est pas possible de retourner aux valeurs initiales lorsque le réglage est verrouillé. Déverrouiller les réglages avant de tenter d'utiliser les boutons de commande.

R.A.Z. du menu ADJUSTMENT

Les paramètres de réglage du menu ADJUSTMENT (CLOCK, PHASE, H-POS, V-POS) peuvent être remis à leurs valeurs initiales définies en usine.

1. Mettre le moniteur sous tension.
2. Appuyer simultanément sur les boutons MENU et ◀, ainsi que le bouton d'alimentation. Lorsque [RESET] apparaît sur l'écran du moniteur, le retour aux valeurs initiales est exécuté.

Remarques :

- Pendant que [RESET] est affiché sur l'écran du moniteur, les boutons de commande ne sont plus opérationnels.
- Il n'est pas possible de retourner aux valeurs initiales lorsque le réglage est verrouillé. Déverrouiller les réglages avant de tenter d'utiliser les boutons de commande.

Fonction de verrouillage des réglages

En désactivant les boutons de commande (c'est-à-dire en les verrouillant), toute tentative de modification des valeurs sera vaine.

1. Mettre le moniteur hors tension.
2. Appuyer simultanément sur les boutons MENU et d'alimentation (c'est-à-dire allumer le moniteur).

Continuer d'appuyer sur les boutons jusqu'à ce que [ADJUSTMENT LOCKED] s'affiche sur l'écran. Le verrouillage est activé quand le message est affiché.

Remarque :

- Lorsque le verrouillage est actif, tous les boutons autres que le bouton d'alimentation ne sont plus opérationnels.

Désactivation du verrouillage des réglages

1. Mettre l'ordinateur hors tension.
2. Appuyer simultanément sur les boutons MENU et d'alimentation (c'est-à-dire allumer le moniteur).

Continuer d'appuyer sur les boutons jusqu'à ce que [ADJUSTMENT UNLOCKED] s'affiche sur l'écran. Le verrouillage est désactivé quand le message est affiché.

Réglage du rétro-éclairage

1. Sans que le menu OSD ne soit affiché, appuyer sur le bouton ◀ ou le bouton ▶.
2. S'assurer que [BRIGHT] est sélectionné. S'il n'est pas sélectionné, appuyer sur le bouton ▼ / MODE et sélectionner [BRIGHT].



3. Régler au moyen du bouton ◀ (plus sombre) ou du bouton ▶ (plus clair).

Remarque :

- Le menu à l'écran pour le réglage disparaît quelques secondes après la dernière opération.

Réglage de l'affichage du moniteur et du volume des haut-parleurs

Réglage du volume des haut-parleurs

1. Sans que le menu OSD ne soit affiché, appuyer sur le bouton ◀ ou le bouton ▶.
2. S'assurer que [VOLUME] est sélectionné. S'il n'est pas sélectionné, appuyer sur le bouton ▼ / MODE et sélectionner [VOLUME].



3. Régler au moyen du bouton ◀ (diminuer) ou du bouton ▶ (augmenter).

Remarque :

- Le menu à l'écran pour le réglage disparaît quelques secondes après la dernière opération.

Réglage du mode d'affichage

Le ton de couleur ou la luminosité peut être changée avec une seule commande.

STD

Affiche une image dont les nuances de couleur résultent des combinaisons originales d'un écran à cristaux liquides.

OFFICE

La luminosité de l'affichage est baissée. (Ce mode est un mode économie d'énergie.)

sRGB

sRGB est la norme internationale de la représentation des couleurs spécifiée par la IEC (International Electrotechnical Commission (Commission Electrotechnique Internationale)). La conversion des couleurs est réalisée en tenant compte des caractéristiques d'un écran à cristaux liquides et la représentation des couleurs est très proche de l'image originale.

VIVID

Affiche une image avec des couleurs primaires dynamiques et éclatantes.

- Si [DISPLAY MODE] est réglé sur [sRGB] ou [VIVID], [WHITE BALANCE] est réglé sur [STD], et [GAMMA] est réglé à [0].

Comment effectuer le réglage

Appuyer sur le bouton ▼ / MODE quand le menu OSD n'est pas affiché.

À chaque fois que le bouton est appuyé, l'option suivante du menu apparaît. (STD → OFFICE → sRGB → VIVID → STD)

Le menu à l'écran pour le réglage disparaît quelques secondes après la dernière opération.

Confirmation des informations sur l'appareil

Le nom du modèle (MODEL), le numéro de série (S/N) et la durée d'utilisation (USAGE TIME) du moniteur peuvent être vérifiés.

1. Coupez l'alimentation.
2. Tout en appuyant sur le bouton ▼ / MODE, appuyez sur le bouton d'alimentation du moniteur (autrement dit mettez-le sous tension). Les données sur le produit seront affichées.
3. Appuyer sur le bouton MENU.

Remarque :

- Veuillez noter que la durée d'utilisation au moment de l'achat n'est pas nécessairement nulle (0) du fait des inspections usine et des opérations intervenant au cours de la fabrication.

Réglage de l'affichage du moniteur

Réglage automatique de l'écran (avec un signal analogique)

Les options CLOCK, PHASE, H-POS, V-POS du menu ADJUSTMENT peuvent être ajustées automatiquement.

Remarques :

- Lors de la toute première installation du moniteur, ou après avoir changé un des paramètres de la configuration du système, effectuer un réglage automatique de l'écran avant l'utilisation.
- Le réglage automatique de l'écran n'est nécessaire quand le LL-171G est utilisé avec une connexion numérique. Effectuer le réglage manuel de l'écran si nécessaire. (p.72)

Affichage à l'écran pour le réglage

D'abord afficher une image qui rend la totalité de l'écran du moniteur très lumineuse.

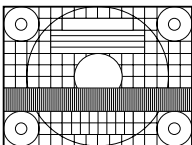
Si l'on se trouve sous un environnement Windows, on peut se servir de la mire de réglage se trouvant sur la CD-ROM fournie.

Ouverture de la mire de réglage (pour Windows)

Les messages Windows mentionnés dans le mode d'emploi suivant se réfèrent à la version anglaise de Windows. Les explications qui suivent sont valables pour les versions 95/98/Me/2000/XP de Windows et considèrent que le lecteur de CD-ROM est le lecteur "D".

1. Placer le CD-ROM d'accessoires dans le lecteur de CD-ROM de l'ordinateur.
2. Ouvrir [My Computer] et sélectionner CD-ROM. S'il s'agit de Windows 3.1, ouvrir [File Manager] et choisir le lecteur "D".
3. Double-cliquer sur [Adj_uty.exe] pour lancer le programme de réglage. La mire de réglage apparaîtra.

Mire de réglage



Après avoir effectué les réglages, appuyer sur la touche [Esc] de l'ordinateur pour quitter le programme de réglage.

Remarque :

- Si le mode d'affichage de l'ordinateur utilisé est réglé sur 65K couleurs, il est possible de voir différents niveaux de couleurs dans chaque mire de couleurs ou il se peut que l'échelle de gris ait l'air colorée. (Ceci est dû aux caractéristiques techniques du signal d'entrée ; il ne s'agit pas d'un dysfonctionnement.)

Réglage automatique de l'écran

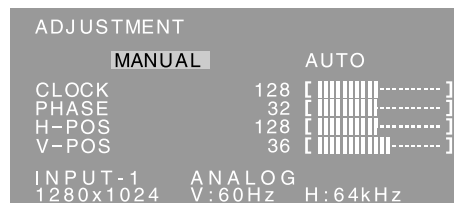
Le réglage automatique peut être effectué en utilisant soit le bouton AUTO ou le bouton MENU.

Bouton AUTO [LL-171A]

1. Appuyez sur le bouton Auto.
2. Appuyez à nouveau sur le bouton Auto. [ADJUSTING] apparaîtra sur l'écran et disparaîtra quelques secondes plus tard. (Le réglage automatique est à présent terminé.)

Bouton MENU

1. Appuyer sur le bouton MENU. Le menu ADJUSTMENT apparaîtra. (Exemple : Ecran affiché sur le modèle LL-171G)



2. Appuyer sur le bouton ►.

Le moniteur s'assombrit et [ADJUSTING] est affiché. Après quelques secondes, le menu ADJUSTMENT réapparaît. (Le réglage automatique est à présent terminé.)

3. Appuyer 5 fois sur le bouton MENU pour faire disparaître le menu OSD.

Remarques :

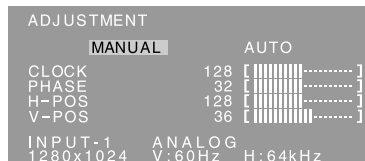
- Dans la plupart des cas, le réglage automatique s'avère suffisant.
- Il peut ne pas être possible de réaliser un réglage correct avec le premier réglage automatique. Dans ce cas, essayer de répéter le réglage automatique 2 ou 3 fois.
- Si nécessaire, en raison d'un des facteurs suivants, des réglages manuels peuvent être effectués après un réglage automatique. (p.72)
 - Lorsqu'un réglage fin est nécessaire.
 - Lorsque [OUT OF ADJUST] est affiché. (Lorsque le moniteur affiche une image complètement noire, il se peut que le réglage automatique de l'écran ne soit pas opérationnel. Lors de la réalisation d'un réglage automatique, veiller soit à utiliser la mire de réglage, soit à essayer d'afficher une image très claire.)
 - Lorsque les signaux vidéo d'entrée de l'ordinateur sont de type Composite Sync ou Sync on Green. (Il se peut que le réglage automatique soit impossible.)
- Il peut ne pas être possible de réaliser correctement un réglage automatique selon ce qui est affiché sur l'écran - images animées, commandes MS-DOS, etc.

Réglage de l'affichage du moniteur

Réglage manuel de l'écran

1. D'abord afficher une image qui rend la totalité de l'écran du moniteur très lumineuse. (p.71)
2. Faire apparaître sur l'écran le menu OSD en appuyant sur le bouton MENU.
(Exemple : Ecran affiché sur le modèle LL-171G)

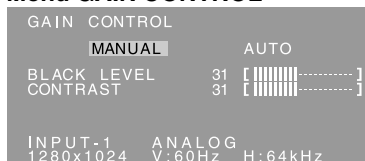
Menu ADJUSTMENT



Sélectionner l'option en appuyant sur le bouton ▼ / MODE.

↓ MENU

Menu GAIN CONTROL



Sélectionner l'option en appuyant sur le bouton ▼ / MODE.

↓ MENU

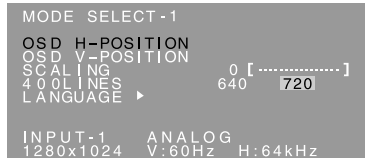
Menu COLOR CONTROL



Sélectionner l'option en appuyant sur le bouton ▼ / MODE.

↓ MENU

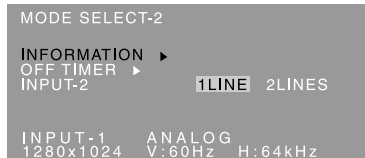
Menu MODE SELECT-1



Sélectionner l'option en appuyant sur le bouton ▼ / MODE.

↓ MENU

Menu MODE SELECT-2



Sélectionner l'option en appuyant sur le bouton ▼ / MODE.

↓ MENU

Le menu OSD est désactivé.

Remarques :

- Quand le LL-171G est utilisé avec une connexion numérique, les réglages du menu de ADJUSTMENT et GAIN CONTROL ne sont pas nécessaires.
- Le menu OSD disparaît automatiquement environ 30 secondes après la dernière commande.
- Ce chapitre aborde la procédure de réglage de l'écran au moyen de la mire de réglage (pour Windows).

Menu ADJUSTMENT (AJUST)

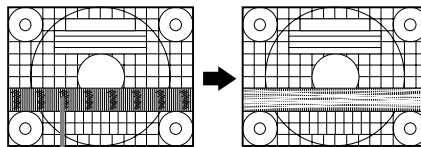
Quand le LL-171G est utilisé avec une connexion numérique, ce réglage de menu n'est pas nécessaire.

AUTO

Quand [AUTO] est sélectionné avec le bouton ▶, les réglages de [CLOCK], [PHASE], [H-POS] et [V-POS] sont effectués automatiquement.

CLOCK (HORLOGE)

L'illustration suivante montre comment le réglage doit s'opérer de manière à ce que le scintillement vertical soit minimisé. (Boutons ◀▶)



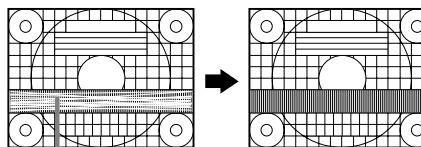
Scintillement vertical

PHASE

L'illustration suivante montre comment le réglage doit s'opérer de manière à ce que le scintillement horizontal soit minimisé. (Boutons ◀▶)

Remarque :

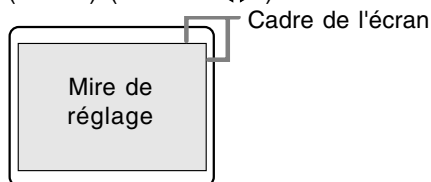
- Les réglages de [PHASE] ne doivent être effectués qu'après avoir réglé [CLOCK] correctement.



Scintillement horizontal

H-POS (positionnement horizontal) et V-POS (positionnement vertical)

Pour centrer la mire de réglage dans les limites de l'écran du moniteur, régler les valeurs gauche et droite (H-POS) ainsi que les valeurs haut et bas (V-POS). (Boutons ◀▶)



Réglage de l'affichage du moniteur

Menu GAIN CONTROL (CTRL. LUMINOSIT)

Quand le LL-171G est utilisé avec une connexion numérique, ce réglage de menu n'est pas nécessaire.

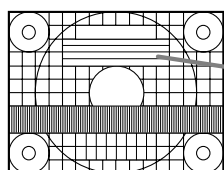
AUTO

Quand [AUTO] est sélectionné avec le bouton ►, les réglages de [BLACK LEVEL] et de [CONTRAST] sont effectués automatiquement. Après le réglage automatique, effectuer le réglage manuel si nécessaire.

BLACK LEVEL

La luminosité totale du moniteur peut être réglée tout en visualisant la mire de couleurs.

(Boutons ◀▶)



Mire de couleurs

CONTRAST

Tout en visualisant la mire de couleurs, des réglages peuvent être effectués de manière à ce que toutes les gradations apparaissent.

(Boutons ◀▶)

Remarques :

AUTO (Fonction de réglage automatique des couleurs)

- La commande du réglage automatique des couleurs ajuste le contraste et le niveau de noir en se basant sur la couleur la plus claire et la plus foncée de l'image diffusée.
- Si la mire de réglage n'est pas utilisée, il est nécessaire de préserver une zone de noir et une zone de blanc d'au moins 5 x 5 mm sur l'écran, car les réglages sont impossibles à effectuer sans ces zones.
- Si le signal émis par l'ordinateur est composite sync ou sync sur vert, le réglage automatique ne peut être exécuté. Exécuter un réglage manuel.
- Si [OUT OF ADJUST] est affiché, effectuer un réglage manuel.

Menu COLOR CONTROL (CTRL. DES COULEURS)

WHITE BALANCE

1. Après avoir sélectionné [WHITE BALANCE], appuyer sur le bouton ►.

Le menu WHITE BALANCE sera affiché.



2. Utiliser les boutons ◀▶ pour sélectionner [COOL], [·], [STD], [·], [WARM] ou [USER].

COOL Nuance de couleur plus bleutée que la couleur standard

- Nuance de couleur légèrement plus bleutée que la couleur standard

STD Paramètre standard de nuance de couleurs

- Nuance de couleur légèrement plus rougeâtre que la couleur standard

WARM Nuance de couleur plus rougeâtre que la couleur standard

USER

- Le fait de sélectionner [USER], permettra d'afficher les valeurs de réglage pour [R-CONTRAST], [G-CONTRAST] et [B-CONTRAST], afin de pouvoir effectuer des réglages fins.
- Utiliser le bouton ▼ / MODE pour sélectionner [R-CONTRAST], [G-CONTRAST] et [B-CONTRAST].

R-CONTRAST bouton ◀ pour le bleu-vert
bouton ► pour le rouge

G-CONTRAST bouton ◀ pour le violet
bouton ► pour le vert

B-CONTRAST bouton ◀ pour le jaune
bouton ► pour le bleu

3. Appuyer sur le bouton MENU.

Remarques :

- En ce qui concerne les paramètres autres que les [STD], toutes les gradations ne peuvent pas être affichées. Pour afficher toutes les gradations, définir le paramètre sur [STD].
- Si [DISPLAY MODE] est réglé sur [sRGB] ou [VIVID], il n'est pas possible de sélectionner un réglage autre que [STD].

GAMMA

Faire en sorte que les images sombres et claires soient faciles à regarder. Si l'écran est sombre et difficile à regarder, augmenter la valeur numérique. S'il est clair et difficile à regarder, réduire la valeur numérique. (Boutons ◀▶)

- Si [DISPLAY MODE] est réglé sur [sRGB] ou [VIVID], [GAMMA] ne peut pas être réglé.

Réglage de l'affichage du moniteur

Menu MODE SELECT-1 (MODE SÉLECTION-1)

Remarque :

- En fonction de la résolution du signal d'entrée, même si les options peuvent être sélectionnées, l'affichage ne peut pas être modifié.

OSD H-POSITION (positionnement horizontal OSD)

Le positionnement du menu OSD peut être modifié vers la gauche et vers la droite.
(Boutons ◀▶)

OSD V-POSITION (positionnement vertical OSD)

Le positionnement du menu OSD peut être modifié vers le haut et vers le bas. (Boutons ◀▶)

SCALING (Niveau de cadrage)

La netteté de l'image peut être réglée.
(Boutons ◀▶)

Remarque :

- Lorsque le mode d'affichage est réglé à un niveau inférieur à 1280 x 1024 pixels, l'image est étendue de manière à couvrir la totalité de l'écran (c'est-à-dire que le rapport latéral de l'image peut être modifié).

400LINES (degré de résolution)

(avec un signal analogique)

Il est possible d'utiliser une résolution horizontale d'écran de 400 lignes lors de la saisie de texte US, etc. (Boutons ◀▶)

640 : Mode 640 x 400 points

720 : Mode 720 x 400 points (saisie de texte US, etc.)

Remarque :

- Étant donné que la résolution du signal d'entrée pour les moniteurs autres que les 400 lignes se règle automatiquement, il n'y a aucune raison de la définir.

LANGUAGE (LANGUE)

Il est possible de choisir la langue d'affichage du menu OSD.

1. Appuyer sur le bouton ▶.

Le Menu du choix de la langue sera affiché sur l'écran du moniteur.

2. Utiliser le bouton ▼ / MODE pour choisir la langue.

3. Appuyer sur le bouton MENU.

Menu MODE SELECT-2 (MODE SÉLECTION-2)

INFORMATION

Le nom du modèle (MODEL), le numéro de série (S/N) et la durée d'utilisation (USAGE TIME) du moniteur peuvent être vérifiés.

1. Après avoir sélectionné [INFORMATION], appuyez sur le bouton ▶.

Les données sur le produit seront affichées.

2. Appuyer sur le bouton MENU.

OFF TIMER (Minuterie de mise hors service)

L'alimentation est coupée à l'expiration de la durée prescrite.

1. Après avoir sélectionné [OFF TIMER], appuyez sur le bouton ▶.

2. Choisissez Marche [ON] ou Arrêt [OFF] en utilisant les boutons ◀▶.

Si vous choisissez Marche [ON], appuyez sur le bouton ▼ / MODE. puis précisez la durée avant coupure de l'alimentation en utilisant les

boutons ◀▶. (La durée peut être réglée entre 1 et 23 heures par pas d'une heure.)

3. Appuyer sur le bouton MENU.

- Si vous choisissez Marche [ON], le temps restant avant la coupure de l'alimentation est indiqué dans le coin supérieur droit de l'écran dès que ce temps devient égal à 5 minutes. (Le temps restant est affiché pendant environ 5 secondes toutes les minutes.)

- Si le bouton d'alimentation reste appuyé après le premier affichage du temps restant et avant la coupure de l'alimentation, OFF TIMER sera réglé à une heure.

Pour couper ensuite l'alimentation, appuyez une nouvelle fois sur le bouton d'alimentation. (Après une nouvelle mise sous tension, la coupure de l'alimentation intervient à nouveau lorsque la durée prescrite est écoulée.)

- Si le moniteur est mis en service lorsque [OFF TIMER] est sur [ON], la durée réglée s'affiche pendant plusieurs secondes. (Si aucun signal n'est appliqué à l'entrée, [NO SIGNAL] s'affiche.)

INPUT-2 [LL-171G]

Choisissez [1LINE] si vous reliez des câbles de signaux numériques ou analogiques à la borne d'entrée DVI-I (INPUT-2) de l'écran.

Choisissez [2LINES] si vous reliez un câble à 2 entrées. (Boutons ◀▶)

- Si les raccordements et les réglages ne sont pas correctement réalisés, l'image n'est pas convenablement affichée.

Entretien du moniteur

Toujours débrancher la prise de l'alimentation de la prise de secteur lors du nettoyage du moniteur.

Châssis et panneau de commande

Utiliser un chiffon doux et sec pour éliminer la poussière du châssis et du panneau de commande.

Si le châssis et le panneau de commande s'avèrent vraiment sales, imbiber le chiffon doux avec un détergent neutre, le tordre et éliminer les saletés.

Panneau LCD

Utiliser un chiffon doux et sec pour éliminer la poussière de la surface du panneau LCD. (Un chiffon doux tel qu'une gaze utilisée pour le nettoyage des lentilles est idéal.)

ATTENTION !

- Ne jamais utiliser de dissolvant, d'essence, d'alcool, de nettoyant pour vitre, etc. car ceux-ci peuvent décolorer ou altérer le moniteur.
- Ne jamais frotter le moniteur avec des matériaux durs ni appliquer sur le moniteur des pressions excessives car celui-ci peut laisser des marques ou entraîner des dysfonctionnements.

Stockage

Si le moniteur devait ne pas être utilisé pendant une période de temps prolongée, s'assurer que la prise d'alimentation est débranchée de la prise de secteur.

ATTENTION !

- Ne pas laisser le moniteur en contact avec des objets en caoutchouc ou en plastique pendant des périodes de temps prolongées car ceux-ci peuvent décolorer ou altérer le moniteur.

Dépannage

Si le moniteur est jugé défectueux, vérifier les points suivants avant de l'emmener en réparation. Si après cela, il ne fonctionne toujours pas correctement, contacter le magasin où il a été acheté ou votre réparateur agréé Sharp le plus proche.

Les lampes de rétroéclairage du moniteur ont une durée de vie limitée.

- Si l'écran s'assombrit, scintille constamment ou ne s'éclaire plus, c'est que la lampe de rétroéclairage a atteint sa limite de vie. Se renseigner auprès du revendeur ou du réparateur agréé Sharp le plus proche.
- Au début de l'utilisation, en raison de la conception des lampes de rétroéclairage, il se peut que l'écran scintille. (Il ne s'agit pas d'un dysfonctionnement.) Si cela se produit, essayer d'abord d'éteindre et de rallumer le moniteur.

Aucune image n'apparaît à l'écran du moniteur

(la diode d'alimentation ne s'éclaire pas).

- le cordon d'alimentation est-il branché correctement? (p.67)

Aucune image n'apparaît à l'écran du moniteur

(la diode est éclairée).

- L'ordinateur est-il branché correctement? (p.64,65,66)
- L'ordinateur est-il sous tension?
- Si le modèle LL-171G est utilisé, confirmez que la borne d'entrée du signal est sélectionnée correctement. (p.68)
- Si le modèle LL-171G est utilisé, vérifiez que [INPUT-2] est sélectionnée correctement dans le menu MODE SELECT-2. (p.74)
- La fréquence du signal de l'ordinateur correspond-elle aux caractéristiques techniques du moniteur? (p.78)
- L'ordinateur est-il en mode d'économie d'énergie?

Les boutons de commande ne fonctionnent pas.

- Le verrouillage est-il actif? (p.69)

L'image est déformée.

- La fréquence du signal de l'ordinateur correspond-elle aux caractéristiques techniques du moniteur? (p.78)
- Si vous utilisez le signal analogique, effectuez le réglage automatique de l'écran. (p.71)
- Si vous pouvez modifier la fréquence de rafraîchissement de l'ordinateur utilisé, choisissez une valeur plus basse. (p.78)

Aucun son n'est émis par les haut-parleurs.

- Le câble audio est-il raccordé correctement? (p.66)
- Exécutez la procédure de réglage du volume. (p.70)
- Les casques audio sont-ils branchés?
- Aucun son ne sort des haut-parleurs quand le moniteur est en mode d'économie d'énergie (la diode d'alimentation est éclairée en orange).

Caractéristiques techniques

Caractéristiques techniques du produit

Nom du modèle

LL-171A-W (Blanc)/LL-171A-B (Noir)
LL-171G-W (Blanc)/LL-171G-B (Noir)

Moniteur LCD

43 cm en diagonale
Module TFT à cristaux liquides

Résolution (max.)

SXGA 1280 x 1024 pixels

Couleurs affichables (max.)

Approx. 16,19 millions de couleurs (6 bit + FRC)

Luminosité (max.)

250 cd/m²

Définition

0,264 (H) x 0,264 (V) mm

Rapport de contraste

430 : 1

Angle de visibilité

Gauche-droite : 170° ; Haut-bas : 150°
(Rapport de contraste > 5)

Surface d'affichage

Horizontal : 337,9 mm x Vertical : 270,3 mm

Signal vidéo

[LL-171A]

Analogique RVB (0,7 Vp-p) [75Ω]

[LL-171G]

Analogique : Analogique RVB (0,7 Vp-p) [75Ω]

Numérique : DVI standard basé sur 1.0

Signal sync.

Sync individuel (niveau TTL : +/-), type Sync
On green, Composite Sync (niveau TTL : +/-)

Compensation d'extension

Redimensionnement numérique (Élargissement
de VGA/SVGA/XGA, etc. à la taille plein écran.)

Plug & Play

VESA : DDC2B compatible

Gestion de l'alimentation

[LL-171A] VESA : basé sur le DPMS

[LL-171G] VESA : basé sur le DPMS

DVI : basé sur le DMPM

Sortie des haut-parleurs

1 W + 1 W

Borne d'entrée signal

[LL-171A]

Mini D-sub 15 broches sur 3 rangées

[LL-171G]

Analogique : Mini D-sub 15 broches sur 3 rangées

Numérique/Analogique : 29 broches DVI-I

Borne d'entrée audio

Mini-prise stéréo

Borne pour casque audio

Mini-prise stéréo

Réglage de la hauteur [LL-171G]

Plage : approx. 70 mm

Inclinaison du moniteur

Vers le haut approx. 0 - 25°

Vers le bas approx. 0 - 5°

Rotation du moniteur [LL-171G]

Environ. 45° du centre vers la gauche et environ.
45° du centre vers la droite.

Alimentation

CA100 - 240 V, 50/60 Hz

Température recommandée du lieu d'utilisation

5 - 35°C

Consommation d'électricité

30 W (Sans entrée audio)

(35 W Maximum, 1 W en mode économie
d'énergie)

Dimensions (L x P x H)

[LL-171A]

Approx. 374 mm x 205 mm x 374 mm

[LL-171G]

Approx. 374 mm x 236 mm x 368 - 438 mm

Poids

[LL-171A]

Approx. 6,0 kg (approx. 4,2 kg sans le support)
(Sans les câbles.)

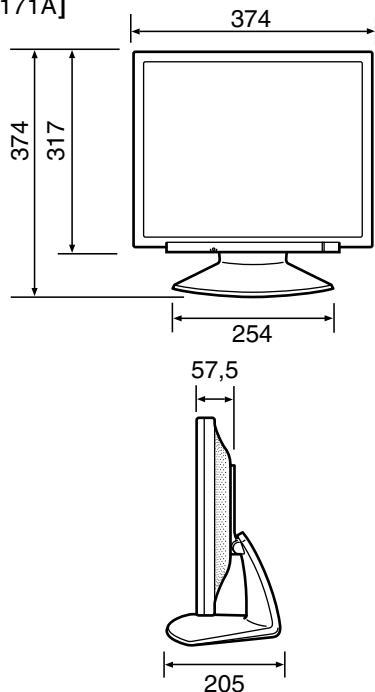
[LL-171G]

Approx. 5,6 kg (approx. 4,2 kg sans le support)
(Sans les câbles.)

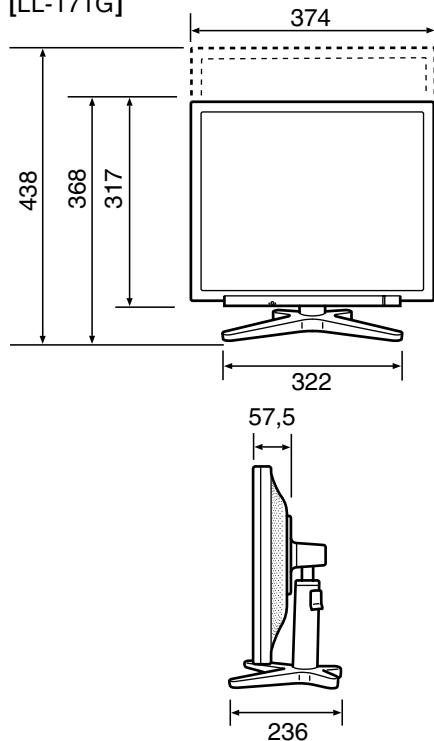
Caractéristiques techniques

Dimensions (Unités : mm)

[LL-171A]



[LL-171G]



- Câble de signal analogique : approx. 1,8 m
- Câble audio : approx. 1,8 m

[LL-171G]

- Câble de signal numérique : approx. 1,8 m
- Câble de signal analogique, NL-C02E (à acheter séparément) : approx. 2,0 m
- Câble à 2 entrées, NL-C03J (à acheter séparément) : approx. 0,25 m

Remarque :

- SHARP se réserve le droit d'apporter des modifications à la présentation et aux caractéristiques des appareils à fin d'amélioration. Les valeurs indiquées dans ce document sont les valeurs nominales des appareils de série mais de légères différences peuvent être constatées d'un appareil à l'autre.

Caractéristiques techniques

Fréquences des signaux (analogique)

Mode affichage		Hsync	Vsync	Bande passante
VESA	640x480	31,5kHz	60Hz	25,175MHz
		37,9kHz	72Hz	31,5MHz
		37,5kHz	75Hz	31,5MHz
	800x600	35,1kHz	56Hz	36,0MHz
		37,9kHz	60Hz	40,0MHz
		48,1kHz	72Hz	50,0MHz
		46,9kHz	75Hz	49,5MHz
	1024x768	48,4kHz	60Hz	65,0MHz
		56,5kHz	70Hz	75,0MHz
		60,0kHz	75Hz	78,75MHz
	1152x864	67,5kHz	75Hz	108,0MHz
	1280x960	60,0kHz	60Hz	108,0MHz
	1280x1024	64,0kHz	60Hz	108,0MHz
		80,0kHz	75Hz	135,0MHz
Saisie de texte US	720x400	31,5kHz	70Hz	28,3MHz
Série Macintosh	640x480	35,0kHz	66,7Hz	30,2MHz
	832x624	49,7kHz	74,6Hz	57,3MHz
	1024x768	60,2kHz	75Hz	80,0MHz
	1152x870	68,7kHz	75Hz	100,0MHz
	1280x1024	64,0kHz	60Hz	108,0MHz
80,0kHz		75Hz	135,0MHz	
Série Sun Ultra	1024x768	48,3kHz	60Hz	64,13MHz
		53,6kHz	66Hz	70,4MHz
		56,6kHz	70Hz	74,25MHz
	1152x900	61,8kHz	66Hz	94,88MHz
		71,8kHz	76,2Hz	108,23MHz
	1280x1024	71,7kHz	67,2Hz	117,01MHz
		81,1kHz	76Hz	134,99MHz

- La résolution recommandée est 1280 x 1024.
- Toutes les fréquences sont non entrelacées.
- Les fréquences pour les séries Macintosh et Sun Ultra sont des valeurs de référence. Pour le raccordement, un autre adaptateur (en vente dans le commerce) peut être nécessaire.
- Si le moniteur reçoit des signaux de fréquence non compatibles, le message [OUT OF TIMING] apparaîtra. Suivre le mode d'emploi de l'ordinateur utilisé pour régler la fréquence de manière à ce qu'elle soit compatible avec le moniteur.
- Si le moniteur ne reçoit pas de signal de fréquence (signal de synchronisation), le message [NO SIGNAL] apparaîtra.

Fréquences des signaux (numérique) [LL-171G]

Mode affichage		Hsync	Vsync	Bande passante
VESA	640x480	31,5kHz	60Hz	25,175MHz
		37,9kHz	72Hz	31,5MHz
		37,5kHz	75Hz	31,5MHz
	800x600	37,9kHz	60Hz	40,0MHz
		48,1kHz	72Hz	50,0MHz
		46,9kHz	75Hz	49,5MHz
		1024x768	48,4kHz	60Hz
	56,5kHz		70Hz	75,0MHz
	60,0kHz		75Hz	78,75MHz
	1152x864	67,5kHz	75Hz	108,0MHz
	1280x960	60,0kHz	60Hz	108,0MHz
1280x1024	64,0kHz	60Hz	108,0MHz	
Saisie de texte US	720x400	31,5kHz	70Hz	28,3MHz

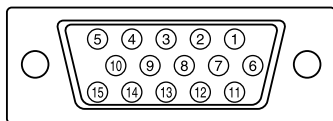
- La résolution recommandée est 1280 x 1024.
- Toutes les fréquences sont non entrelacées.
- Un ordinateur avec une borne de sortie conforme DVI (broche DVI-D24 ou DVI-I29) et avec une capacité de sortie SXGA peut être raccordé ici. (Selon le type d'ordinateur raccordé, l'affichage peut ne pas fonctionner correctement.)
- Si le moniteur reçoit des signaux de fréquence non compatibles, le message [OUT OF TIMING] apparaîtra. Suivre le mode d'emploi de l'ordinateur utilisé pour régler la fréquence de manière à ce qu'elle soit compatible avec le moniteur.
- Si le moniteur ne reçoit pas de signal de fréquence (signal de synchronisation), le message [NO SIGNAL] apparaîtra.

Caractéristiques techniques

La broche du connecteur d'entrée

analogique RVB

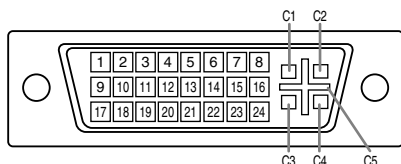
(Mini connecteur de type D-sub 15 broches)



N°	Fonction
1	Entrée du signal vidéo rouge
2	Entrée du signal vidéo vert
3	Entrée du signal vidéo bleu
4	GND
5	GND
6	Pour mise à la terre du signal vidéo rouge
7	Pour mise à la terre du signal vidéo vert
8	Pour mise à la terre du signal vidéo bleu
9	+5V
10	GND
11	GND
12	Données DDC
13	Pour entrée signal H-sync.
14	Pour entrée signal V-sync.
15	Horloge DDC

La broche du connecteur d'entrée DVI-I [LL-171G]

(Connecteur DVI-I à 29 broches)



N°	Fonction	N°	Fonction
1	TMDS données 2-	16	Détection de surchauffe de la prise
2	TMDS données 2+	17	TMDS données 0-
3	Ecran TMDS data 2/4	18	TMDS données 0+
4	N.C.	19	Ecran TMDS data 0/5
5	N.C.	20	N.C.
6	DDC horloge	21	N.C.
7	DDC données	22	Ecran horloge TMDS
8	Signal analogique synchronisé verticalement	23	Horloge TMDS +
9	TMDS données 1-	24	Horloge TMDS -
10	TMDS données 1+	C1	Signal analogique d'image rouge
11	Ecran TMDS data 1/3	C2	Signal analogique d'image vert
12	N.C.	C3	Signal analogique d'image bleu
13	N.C.	C4	Signal analogique synchronisé horizontalement
14	+5V	C5	GND analogique
15	GND		

Gestion de l'alimentation

Le modèle LL-171A est basé sur le système VESA DPMS. Le modèle LL-171G est basé sur les deux systèmes VESA DPMS et DVI DMPM. Pour activer la fonction de gestion de l'alimentation du moniteur, la carte vidéo et l'ordinateur utilisés doivent aussi être conformes à la norme VESA DPMS ou à la norme DVI DMPM.

DPMS : Display Power Management Signalling

Mode DPMS	Ecran	Consommation électrique	H-sync	V-sync
Activé	Affichage activé	35 W	Oui	Oui
En veille	Affichage désactivé	1 W	Non	Oui
Suspendu			Oui	Non
Désactivé			Non	Non

DMPM : Digital Monitor Power Management [LL-171G]

Mode DMPM	Ecran	Consommation électrique
Activé	Affichage activé	35 W
Désactivé	Affichage désactivé	1 W

DDC (Plug & Play)

Ce moniteur supporte la norme VESA DDC (Display Data Channel).

Le DDC est une norme de signal servant à exécuter les fonctions Plug & Play sur un moniteur ou un ordinateur. Il transfère des informations telles que le degré de résolution entre le moniteur et l'ordinateur. Il est possible d'utiliser cette fonction si l'ordinateur utilisé est conforme à la norme DDC et s'il est réglé de manière à pouvoir détecter un moniteur Plug & Play.

Il existe de nombreuses variétés de DDC en raison des différences entre les systèmes. Ce moniteur fonctionne selon les DDC2B.

Installation des fichiers relatifs au paramétrage du moniteur et au profil ICC (Pour Windows)

En fonction du type d'ordinateur ou du système d'exploitation, il peut parfois s'avérer nécessaire d'installer des fichiers relatifs au paramétrage du moniteur. Si c'est le cas, il convient de procéder comme suit pour installer sur l'ordinateur les fichiers relatifs au paramétrage du moniteur. (Le nom des commandes et les procédures peuvent varier en fonction du type d'ordinateur ou du système d'exploitation. Veiller à suivre le propre mode d'emploi de l'ordinateur tout en lisant ce qui suit.)

A propos du profil ICC

Le profil ICC (International Color Consortium) est un fichier qui décrit les caractéristiques de l'affichage des couleurs du moniteur LCD. L'utilisation d'une application compatible avec un profil ICC permet de réaliser un affichage très fidèle des couleurs.

- Windows 98/2000/Me/XP utilisent tous les trois le profil ICC.
- Lors de l'installation de Windows 98/2000/Me/XP (décrite ci-après), le profil ICC s'installe également. Si l'on veut uniquement installer le profil ICC, il faut se reporter à la section **Installation du profil ICC** à la page 82.
- Si vous utilisez le profil ICC, effectuez les réglages suivants :
 - [DISPLAY MODE] : [STD] ou [OFFICE]
 - [WHITE BALANCE] : [STD]
 - [GAMMA] : [0]

Pour Windows 95

Installation des fichiers relatifs au paramétrage du moniteur sous Windows 95. Les messages Windows mentionnés dans le mode d'emploi suivant se réfèrent à la version anglaise de Windows.

Les explications qui suivent considèrent que le lecteur de CD-ROM est le lecteur "D".

1. Placer le CD-ROM d'accessoires dans le lecteur de CD-ROM de l'ordinateur.
2. Cliquer sur le bouton [Start]. Dans le menu [Settings], choisir l'option [Control Panel].
3. Double-cliquer sur [Display].
4. Cliquer sur [Settings], sur [Advanced Properties], et sur [Monitor], et enfin sur [Change].
5. Cliquer sur [Have disk], confirmer que le [Copy manufacturer's files from:] est [D:] et ensuite cliquer sur [OK].
6. Confirmer la sélection des caractéristiques du moniteur et ensuite cliquer sur [OK].

7. S'assurer que le moniteur affiche une image, ensuite cliquer sur [Apply].
8. Cliquer sur [OK] et refermer la fenêtre.

Pour Windows 98

Installation des fichiers relatifs au paramétrage du moniteur sous Windows 98, et au réglage du profil ICC du moniteur en tant que valeur par défaut. Les messages Windows mentionnés dans le mode d'emploi suivant se réfèrent à la version anglaise de Windows.

Les explications qui suivent considèrent que le lecteur de CD-ROM est le lecteur "D".

Si la boîte de dialogue "Add New Hardware Wizard" est affichée :

1. Placer le CD-ROM d'accessoires dans le lecteur de CD-ROM de l'ordinateur.
2. Cliquer sur [Next].
3. Cocher la case [Display a list of all the drivers in a specific location, so you can select the driver you want.], ensuite cliquer sur [Next].
4. Lorsque [Models] apparaît, cliquer sur [Have disk], confirmer que le [Copy manufacturer's files from:] est [D:] et ensuite cliquer sur [OK].
5. Confirmer la sélection des caractéristiques du moniteur et ensuite cliquer sur [Next], [Next] et [Finish]. Si la boîte de dialogue "Add New Hardware Wizard" apparaît, répéter les commandes d'installation à partir du point 2.

Si la boîte de dialogue "Add New Hardware Wizard" n'est pas affichée :

1. Placer le CD-ROM d'accessoires dans le lecteur de CD-ROM de l'ordinateur.
2. Cliquer sur le bouton [Start]. Dans le menu [Settings], choisir l'option [Control Panel].
3. Double-cliquer sur [Display].
4. Cliquer sur [Settings], sur [Advanced], et sur [Monitor].
5. Dans [Options], cocher [Automatically detect Plug & Play monitors] et cliquer sur [Change].
6. Cliquer sur [Next].
7. Cocher la case [Display a list of all the drivers in a specific location, so you can select the driver you want.], ensuite cliquer sur [Next].
8. Lorsque [Models] apparaît, cliquer sur [Have disk], confirmer que le [Copy manufacturer's files from:] est [D:] et ensuite cliquer sur [OK].
9. Confirmer la sélection des caractéristiques du moniteur et ensuite cliquer sur [Next], [Next] et [Finish].
10. S'assurer que le moniteur diffuse une image, ensuite cliquer sur [Apply].
11. Cliquer sur [OK] et refermer la fenêtre.

Installation des fichiers relatifs au paramétrage du moniteur et au profil ICC (Pour Windows)

Pour Windows 2000

Installation des fichiers relatifs au paramétrage du moniteur sous Windows 2000, et au réglage du profil ICC du moniteur en tant que valeur par défaut. Les messages Windows mentionnés dans le mode d'emploi suivant se réfèrent à la version anglaise de Windows.

Les explications qui suivent considèrent que le lecteur de CD-ROM est le lecteur "D".

1. Placer le CD-ROM d'accessoires dans le lecteur de CD-ROM de l'ordinateur.
2. Cliquer sur le bouton [Start]. Dans le menu [Settings], choisir l'option [Control Panel].
3. Double-cliquer sur [Display].
4. Cliquer sur [Settings], sur [Advanced], et sur [Monitor].
5. Cliquer sur [Properties], sur [Driver], et sur [Update Driver].
6. Lorsque [Upgrade Device Driver Wizard] apparaît, cliquer sur [Next].
7. Cocher la case [Display a list of the known drivers for this device so that I can choose a specific driver] et cliquer sur [Next].
8. Lorsque [Models] apparaît, cliquer sur [Have disk], et s'assurer que [Copy manufacturer's files from:] est [D:] et cliquer sur [OK].
9. Sélectionner le moniteur dans la liste déroulante et cliquer sur [Next].
10. Cliquer sur [Next], s'assurer que le nom du moniteur apparaît dans l'écran et cliquer sur [Finish]. Si [The Digital Signature Not Found] apparaît, cliquer [Yes].
11. Cliquer sur [Close].
12. Cliquer sur [OK] et refermer la fenêtre.

Pour Windows Me

Installation des fichiers relatifs au paramétrage du moniteur sous Windows Me, et au réglage du profil ICC du moniteur en tant que valeur par défaut. Les messages Windows mentionnés dans le mode d'emploi suivant se réfèrent à la version anglaise de Windows.

Les explications qui suivent considèrent que le lecteur de CD-ROM est le lecteur "D".

Si la boîte de dialogue "Add New Hardware Wizard" est apparue :

1. Placer le CD-ROM d'accessoires dans le lecteur de CD-ROM de l'ordinateur.
2. Cocher la case [Specify the location of the driver [Advanced]] et cliquer [Next].
3. Cocher la case [Display a list of all the drivers in a specific location, so you can select the driver you want.], ensuite cliquer sur [Next].
4. Lorsque [Models] apparaît, cliquer sur [Have disk], et s'assurer que [Copy manufacturer's files from:] est [D:] et cliquer sur [OK].
5. Sélectionner les caractéristiques du moniteur dans la liste et ensuite cliquer sur [Next], [Next] et [Finish]. Si la boîte de dialogue "Add New Hardware Wizard" apparaît, répéter les commandes d'installation à partir du point 2.

Si la boîte de dialogue "Add New Hardware Wizard" n'est pas apparue :

1. Placer le CD-ROM d'accessoires dans le lecteur de CD-ROM de l'ordinateur.
2. Cliquer sur le bouton [Start]. Dans le menu [Settings], choisir l'option [Control Panel].
3. Double-cliquer sur [Display].
4. Cliquer sur [Settings], sur [Advanced], et sur [Monitor].
5. Dans [Options], cocher [Automatically detect Plug & Play monitors] et cliquer sur [Change].
6. Cocher la case [Specify the location of the driver [Advanced]] et cliquer sur [Next].
7. Cocher la case [Display a list of all the drivers in a specific location, so you can select the driver you want.] et cliquer sur [Next].
8. Lorsque [Models] apparaît, cliquer sur [Have disk], et s'assurer que [Copy manufacturer's files from:] est [D:] et cliquer sur [OK].
9. Sélectionner les caractéristiques du moniteur et ensuite cliquer sur [Next], [Next] et [Finish].
10. S'assurer que les caractéristiques du moniteur sont affichés, ensuite cliquer sur [Apply].
11. Cliquer sur [OK] et refermer la fenêtre.

Installation des fichiers relatifs au paramétrage du moniteur et au profil ICC (Pour Windows)

Pour Windows XP

Installation des fichiers relatifs au paramétrage du moniteur sous Windows XP, et au réglage du profil ICC du moniteur en tant que valeur par défaut. Les messages Windows mentionnés dans le mode d'emploi suivant se réfèrent à la version anglaise de Windows.

Les explications qui suivent considèrent que le lecteur de CD-ROM est le lecteur "D".

1. Placer le CD-ROM d'accessoires dans le lecteur de CD-ROM de l'ordinateur.
2. Cliquer sur le bouton [Start]. Sélectionner [Control Panel].
3. Commutation sur "Classic View".
4. Double-cliquer sur [Display].
5. Cliquer sur [Settings], sur [Advanced], et sur [Monitor].
6. Cliquer sur [Properties], sur [Driver], et sur [Update Driver].
7. Lorsque [Hardware Update Wizard] apparaît, cocher la case [Install from a list or specific location [Advanced]] et cliquer sur [Next].
8. Cocher la case [Don't search. I will choose the driver to install.] et cliquer sur [Next].
9. Cliquer sur [Have disk], et s'assurer que [Copy manufacturer's files from:] est [D:] et cliquer sur [OK].
10. Sélectionner le moniteur dans la liste déroulante et cliquer sur [Next].
Si [has not passed Windows Logo testing...] apparaît, cliquer [Continue Anyway].
11. S'assurer que le nom du moniteur apparaît dans l'écran et cliquer sur [Finish].
12. Cliquer sur [Close].
13. Cliquer sur [OK] et refermer la fenêtre.

Installation du profil ICC

Installation du profil ICC du moniteur. (Si l'information relative au paramétrage a déjà été installée, alors le profil l'a été également, et il n'est donc plus nécessaire de l'installer.)

Les messages Windows mentionnés dans le mode d'emploi suivant se réfèrent à la version anglaise de Windows.

Les explications qui suivent considèrent que le lecteur de CD-ROM est le lecteur "D".

1. Placer le CD-ROM d'accessoires dans le lecteur de CD-ROM de l'ordinateur.
 2. Cliquer sur le bouton [Start]. Dans le menu [Settings], choisir l'option [Control Panel].
 3. Double-cliquer sur [Display].
 4. Cliquer sur [Settings] et sur [Advanced].
 5. Cliquer sur [General] et dans [Compatibility] sélectionner [Apply the new display setting without restarting], ensuite cliquer sur [Color Management].
 6. Cliquer sur [Add], et sélectionner CD-ROM comme emplacement du fichier.
 7. Choisir le profil de couleur souhaité et cliquer sur [Add].
 8. Choisir le profil et cliquer sur [Set As Default].
 9. Cliquer sur [OK] et refermer la fenêtre.
- Si vous utilisez le profil ICC, effectuez les réglages suivants :
- [DISPLAY MODE] : [STD] ou [OFFICE]
 - [WHITE BALANCE] : [STD]
 - [GAMMA] : [0]

Informations sur le profil ColorSync (Pour MacOS)

A propos du profil ColorSync

ColorSync est le système de gestion des couleurs de Apple Computer et il permet de réaliser les caractéristiques de l'affichage de couleurs lors d'une utilisation avec une application compatible. Un profil ColorSync décrit les caractéristiques de couleur du moniteur LCD.

Remarques :

- Le profil ColorSync de ce moniteur fonctionne sous MacOS 8.5 ou version ultérieure.
- Si vous utilisez le profil ColorSync, effectuez les réglages suivants :
 - [DISPLAY MODE] : [STD] ou [OFFICE]
 - [WHITE BALANCE] : [STD]
 - [GAMMA] : [0]

Configuration du profil ColorSync

Remarques :

- Il est nécessaire que **PC Exchange** ou **File Exchange** soient installés sur votre ordinateur.
 - Le nom des commandes et les procédures peuvent varier en fonction du type d'ordinateur ou du système d'exploitation. Veiller à suivre le propre mode d'emploi de l'ordinateur tout en lisant ce qui suit :
1. Placer le CD-ROM d'accessoires dans le lecteur de CD-ROM de l'ordinateur.
 2. Copiez le profil à utiliser du CD-ROM dans le dossier profil de ColorSync du dossier système.
 3. En utilisant ColorSync sur le panneau de configuration, choisir le profil souhaité.

Instructions relatives à l'installation d'un bras conforme VESA

Un bras ou un support conforme à la norme VESA (en vente dans le commerce) peut servir de support au moniteur. L'acquisition du bras ou du support est laissée à l'appréciation du client.

Bras ou supports pouvant être utilisés

Les fixations doivent satisfaire aux points suivants :

- Compatibilité avec la norme VESA
- Subsistance d'un écart d'au moins 100 mm x 100 mm entre les trous des vis présents sur la section à fixer
- Le bras ou le support ne doit ni tomber ni se rompre après l'installation du moniteur.

Comment fixer le bras ou le support

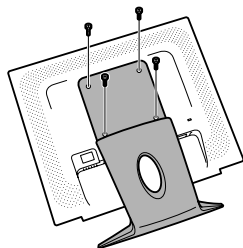
- Ne pas courber le câble de manière excessive ni y ajouter de rallonge car cela peut provoquer un dysfonctionnement.
- Tout en suivant ces instructions, se reporter aux instructions relatives à l'installation dans le mode d'emploi qui accompagne le bras ou le support.

ATTENTION !

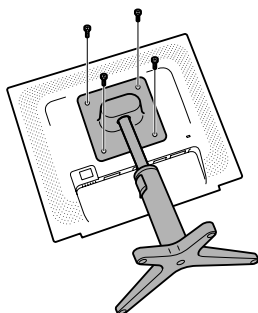
- Faites attention de ne pas vous pincer les doigts entre l'affichage et le support ou de ne pas laisser tomber le support. Ceci pourrait entraîner des blessures corporelles.

1. Retirer les câbles.
2. Étendre un drap doux sur une surface horizontale adéquate.
3. Tout en prenant garde de ne pas endommager le moniteur, déposer avec précautions le moniteur l'écran tourné vers le bas.
 - Pour le raccordement de LL-171G, allonger le support le plus possible et le bloquer avant de positionner le moniteur. (p.63)
4. Retirer les quatre vis et ensuite le support du moniteur.

[LL-171A]



[LL-171G]



Remarques :

- Le support est conçu spécifiquement pour ce moniteur, ne pas l'utiliser pour un autre équipement ou à d'autres fins.
- il est conseillé de conserver ensemble les quatre vis retirées avec le support afin de pouvoir réutiliser le support en le fixant à l'aide des quatre vis adaptées. L'utilisation d'autres vis risque d'endommager le moniteur.



Attention :

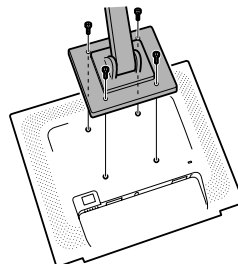
Ne pas démonter le support. Les pièces risquent de jaillir partout et de blesser quelqu'un.



Attention :

Ranger le support de LL-171G dans sa position la plus allongée. Si le support est rangé en position pliée, le blocage peut se relâcher accidentellement entraînant une extension brutale du support et provoquant des blessures.

5. Fixer le bras au moniteur à l'aide des quatre vis.



Remarque :

- Les vis servant à fixer le bras doivent être de type M4 d'une longueur de 4 mm à 5 mm dépassant de la surface à fixer. Utiliser d'autres types de vis peut provoquer la chute du moniteur ou un endommagement des pièces internes.

4 - 5 mm



Vis de fixation du bras

Bras

Partie du moniteur à laquelle vient se fixer le bras

Indice

Suggerimenti e precauzioni per la sicurezza	86
Descrizione del prodotto	88
Regolazione dell'angolazione, regolazione dell'altezza	89
Collegamento del monitor ed accensione e spegnimento del monitor	90
Fissaggio dei cavi [LL-171G]	90
Collegamento del monitor ad un computer	90
Collegamento delle cuffie (da acquistare in commercio)	93
Collegamento del monitor ad una sorgente di alimentazione elettrica	93
Accensione	93
Commutare tra i terminali di ingresso [LL-171G]	94
Spegnimento	94
Regolazione della visualizzazione sullo schermo e volume dell'altoparlante	95
Regolazione della retroilluminazione	95
Regolazione del volume dell'altoparlante	96
Impostazione della modalità del display	96
Verifica delle informazioni relative al prodotto	96
Regolazione della visualizzazione sullo schermo	97
Regolazione automatica dello schermo (quando si usa un segnale analogico)	97
Regolazione manuale dello schermo	98
Cura del monitor	101
Cura del monitor	101
Immagazzinamento	101
Ricerca ed eliminazione di inconvenienti	101
Specifiche	102
Installazione delle informazioni di setup e del profilo ICC (Per Windows)	106
Informazioni sul profilo ColorSync (Per MacOS)	109
Istruzioni per collegare un braccio compatibile VESA	110

Suggerimenti e precauzioni per la sicurezza

- Lo schermo LCD-TFT a colori usato in questo monitor è stato fabbricato applicando tecnologia di alta precisione. Ciononostante sullo schermo potrebbero apparire piccolissimi punti dove i pixel o non s'illuminano o rimangono sempre illuminati. Inoltre, nel caso che la visione avviene da un'angolazione molto alta potrebbero notarsi disuniformità di colori o luminosità. Vogliate notare che queste cose non sono sintomi di cattivo funzionamento ma rientrano nella norma per gli schermi a cristalli liquidi e non hanno effetto alcuno sul rendimento del funzionamento del monitor.
- Non lasciate che lo schermo visualizzi inutilmente per lunghi periodi di tempo, in quanto ciò può lasciare una persistenza dell'immagine.
- Se la luminosità è regolata sull'impostazione minima, sarà difficile vedere lo schermo.
- La qualità del segnale del computer può esercitare un'influenza sulla qualità del display. Consigliamo l'uso di un computer in grado di emettere dei segnali video di alta qualità.
- Non strofinate e non battete mai il monitor con oggetti duri.
- Per favore abbiate comprensione per il fatto che la Sharp Corporation non si assume nessuna responsabilità per errori fatti nell'uso da parte del cliente o di terzi, né per altri difetti di funzionamento o danni a questo prodotto, che si verifichino durante l'uso, ad eccezione dei casi nei quali la responsabilità per un indennizzo è riconosciuta dalla legge.
- Il monitor ed i suoi accessori possono venire aggiornati con ampliamenti senza preavviso.

Collocazione

- Non utilizzate il monitor in luoghi nei quali la ventilazione è scadente, vi è molta polvere, l'umidità è elevata e nei quali il monitor può venire a contatto con olio o vapore, in quanto ciò può dar luogo ad un incendio.
- Assicuratevi che il monitor non venga a contatto con acqua oppure altri liquidi. Assicuratevi che nessun oggetto come graffette o spilli penetri nel monitor, in quanto ciò può dare luogo a incendio oppure folgorazione.
- Non collocate il monitor su oggetti instabili oppure in posti insicuri. Non consentite che il monitor venga sottoposto a forti urti e vibrazioni. Provocando la caduta oppure il rovesciamento del monitor lo si può danneggiare.
- Non utilizzate il monitor in luoghi, nei quali esso può essere esposto alla luce solare diretta, trovarsi vicino ad apparecchi di riscaldamento oppure in qualsiasi altro luogo, nel quale un'alta temperatura è probabile, in quanto ciò può dare luogo ad un'eccessiva generazione di calore ed allo scoppio di un incendio.

Il cavo di alimentazione rete

- Non danneggiate il cavo alimentazione rete, non mettete degli oggetti pesanti su di esso, non tiratelo e non piegatelo eccessivamente. Non aggiungete inoltre dei cavi di prolunga. Danni al cavo possono dare luogo ad incendi o folgorazioni.
- Usare solamente il cavo di alimentazione rete fornito insieme al monitor.
- Inserite la spina di alimentazione direttamente nella presa di corrente alternata. L'aggiunta di un cavo di prolunga può dare luogo ad un incendio, derivante da surriscaldamento.
- Non rimuovere o non inserire la spina di alimentazione con le mani bagnate. Si rischia di provocare una scossa elettrica.

Suggerimenti e precauzioni per la sicurezza

Lista di controllo del monitor e degli accessori

- Per favore controllate che la confezione contenga i seguenti articoli.
 - Monitor LCD (1)
 - Cavo segnale analogico (1)
(nome del modello: 0NW1738GAB01A)
 - [LL-171G] Cavo segnale digitale (1)
(nome del modello: 0NW1748LAB007)
 - Cavo audio (1)
(nome del modello: 0NW0173056023)
 - [LL-171G] Morsetti serracavo (2)
 - CD-ROM (1)
 - Manuale d'uso (1)

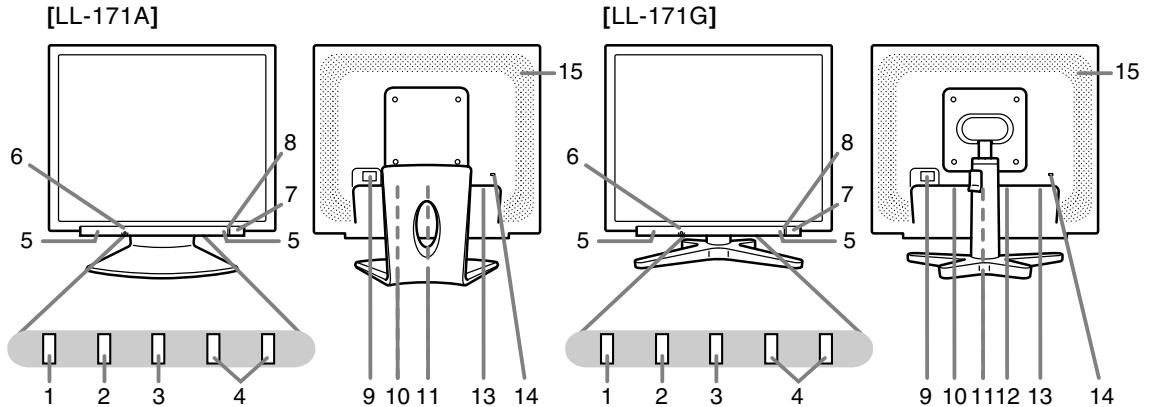
Note:

- [LL-171A] Usare solamente i cavi forniti in dotazione con il monitor.
- Utilizzare solo cavi di lunghezza inferiore a 3 m.
- [LL-171G] Il cavo segnale analogico (DVI-I29 pin - D sub mini a 15 pin) va acquistato separatamente.
(nome del modello: NL-C02E)
- [LL-171G] Il cavo a 2 ingressi (DVI-I29 pin, e DVI-D24 pin o D sub mini a 15 pin) va acquistato separatamente.
(nome del modello: NL-C03J)
- Vi si suggerisce di conservare il cartone per il caso in cui risulti necessario trasportare il monitor.
- La Sharp Corporation è proprietaria dei diritti d'autore per i programmi del dischetto delle utilità. Non riprodurcelo senza averne il permesso.
- La forma degli accessori forniti può non corrispondere esattamente a quanto illustrato in questo manuale.

Presentazione del manuale

- Questo manuale è relativo ai modelli LL-171A e LL-171G. Quando si descrive una caratteristica diversa tra i modelli, sarà indicato anche il nome del modello. (Quando non si indica il nome del modello, la descrizione vale per entrambi i modelli. Le illustrazioni contenute in questo manuale riguardano il modello LL-171A.)
- In questo manuale si farà riferimento a Microsoft Windows XP come "Windows XP", a Microsoft Windows Millennium come "Windows Me", a Microsoft Windows 2000 come "Windows 2000", a Microsoft Windows 98 come "Windows 98", a Microsoft Windows 95 come "Windows 95", ed a Microsoft Windows Versione 3.1 come "Windows 3.1". Quando non occorre fare una distinzione tra programmi, si userà il termine "Windows".
- Microsoft e Windows sono marchi registrati della Microsoft Corporation.
- Macintosh è un marchio registrato della Apple Computer, Inc.
- Tutti gli altri nomi di marca o di prodotto sono marchi o marchi registrati dei rispettivi titolari.

Descrizione del prodotto



1. Tasto AUTO [LL-171A] Questo tasto si usa per eseguire la regolazione automatica dello schermo (CLOCK, PHASE, H-POS e V-POS). (p.97)
- Tasto INPUT [LL-171G] Per commutare tra i terminali di ingresso del segnale.
2. Tasto MENU Questo tasto si usa per visualizzare, selezionare e chiudere il menu OSD (On Screen Display).
3. Tasto ▼ / MODE Quando il menu OSD è visualizzato:
 Questo tasto si usa per selezionare delle opzioni di menu.
 Quando il menu OSD non è visualizzato:
 Questo tasto serve per predisporre DISPLAY MODE.
4. Tasti ◀▶ Quando il menu OSD è visualizzato:
 Questi tasti si usano per selezionare una opzione od impostare il valore dell'opzione selezionata.
 Quando il menu OSD non è visualizzato:
 Questi tasti si usano per regolare la luminosità della retroilluminazione e il volume dell'altoparlante.
5. Altoparlanti Si può sentire l'entrata dell'audio attraverso il dispositivo esterno collegato al monitor.
6. Terminale per le cuffie Le cuffie (da acquistare in commercio) si possono collegare qui.
7. Tasto di alimentazione Premendo questo tasto si accende l'alimentazione.
 Premete il tasto ancora una volta, per spegnere l'alimentazione.
8. LED di alimentazione Questo LED è illuminato in verde durante l'uso ed in arancione nel modo risparmio energetico.
9. Interruttore principale rete
10. Terminale di alimentazione
11. Terminale di ingresso audio ... Il terminale di uscita audio di un computer può essere collegato in questa posizione. Si dovrebbe usare il cavo audio accluso.
12. Terminale di ingresso DVI-I [LL-171G] Qui si possono collegare il terminale di uscita RGB digitale oppure il terminale di uscita RGB analogico del computer.
 Per un ingresso segnale digitale: Esso può essere collegato ad un computer con un terminale di uscita DVI compatibile (DVI-D24 pin oppure DVI-I29 pin) e che ha la capacità di fornire l'uscita SXGA. A seconda del computer da collegare una visualizzazione corretta può essere possibile oppure no.
13. Terminale di ingresso RGB analogico Collegare il cavo segnale analogico in questa posizione. Si dovrebbe usare il cavo segnale analogico accluso.
14. Ancoraggio di sicurezza Collegando una serratura di sicurezza (da acquistare in commercio) all'ancoraggio di sicurezza, il monitor rimane bloccato, in modo da non poter essere trasportato.
 Il foro antifurto funziona unitamente ai sistemi di sicurezza Kensington Micro Saver.
15. Fori per la ventilazione Non ostruite mai i fori per la ventilazione, in quanto ciò può provocare un surriscaldamento all'interno del monitor e dare luogo a disturbi al funzionamento.

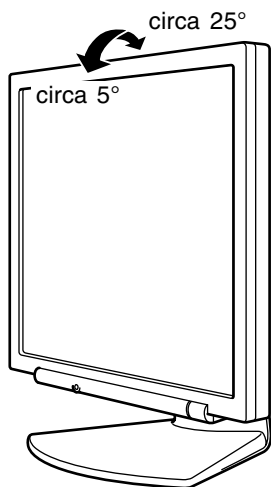
Regolazione dell'angolazione, regolazione dell'altezza

ATTENZIONE!

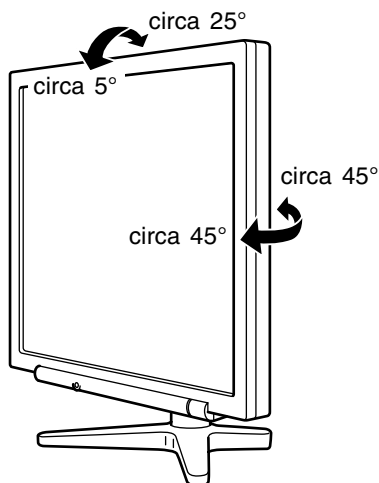
- Assicurarsi di tenere entrambi i lati del monitor quando si regola l'angolo di visione. Il schermo LCD usato in questo monitor è fatto di vetro. Una pressione con le mani sullo schermo LCD può causare danni.
- Fare attenzione a non rimanere con le dita incastrate.

Regolazione dell'angolazione

[LL-171A]

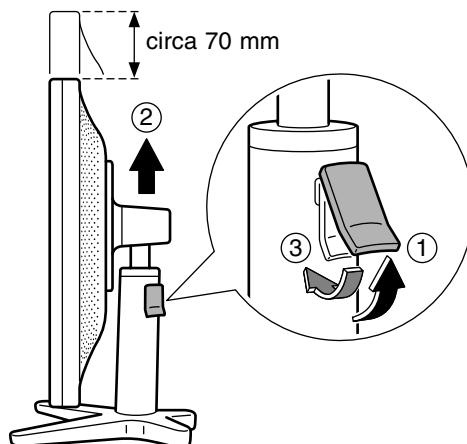


[LL-171G]



Regolazione dell'altezza [LL-171G]

1. Liberare il fermo.
2. Regolare l'altezza del supporto.
3. Regolare il fermo.



ATTENZIONE!

- Assicurarsi di liberare il fermo prima di regolare l'altezza del supporto. Se si estende o si contrae il supporto quando è bloccato, si rischia di danneggiare il prodotto.
- Accertarsi che il supporto sia bloccato correttamente eccetto quando si regola l'altezza.

Collegamento del monitor ed accensione e spegnimento del monitor

ATTENZIONE!

- Quando eseguite i collegamenti, assicuratevi che sia il monitor che il computer siano spenti.
- Fate attenzione a non piegare eccessivamente il cavo oppure nell'aggiungere dei cavi di prolunga, in quanto ciò potrebbe dare luogo a disturbi al funzionamento.

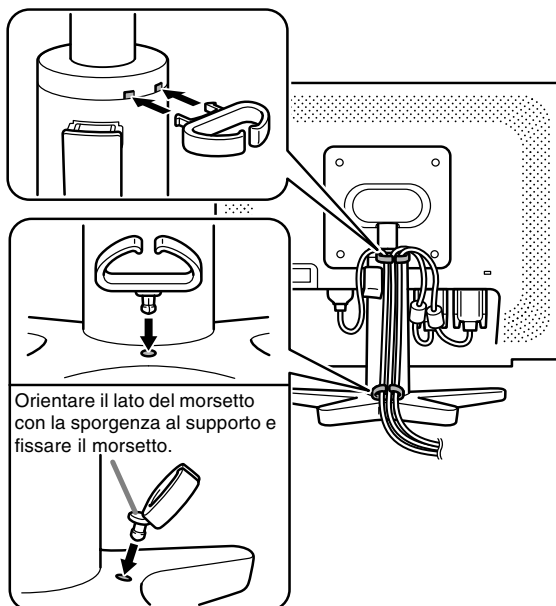
Fissaggio dei cavi [LL-171G]

Utilizzare i morsetti serracavo forniti per fissare i cavi collegati ai terminali.

I morsetti serracavo superiori e inferiori hanno differenti figure. Controllare le figure dei morsetti prima di fissarli al supporto.

ATTENZIONE!

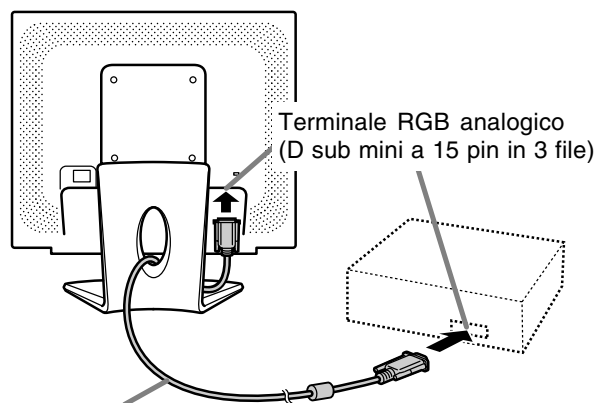
- Quando si regola l'angolo di visibilità, i cavi possono essere tirati. Assicursi quindi che i cavi siano abbastanza allentati.



Collegamento del monitor ad un computer

Collegamento analogico [LL-171A]

Collegare il cavo accessorio del segnale analogico al terminale di uscita analogica RGB del computer.



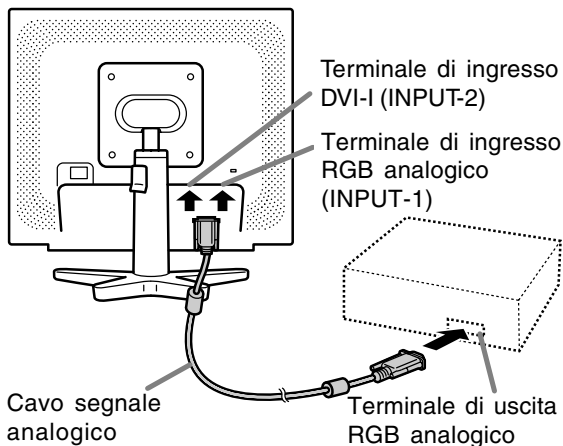
Cavo segnale analogico

- Prestando attenzione alla direzione del connettore, inserire bene il cavo del segnale verticalmente nel connettore, poi stringere le viti su entrambi i lati.

Collegamento del monitor ed accensione e spegnimento del monitor

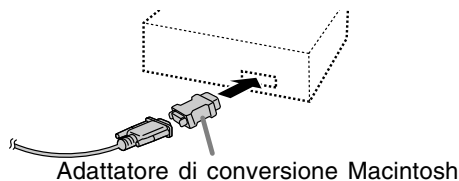
Collegamento analogico [LL-171G]

- Collegare il cavo accessorio del segnale analogico, o il cavo segnale analogico venduto separatamente (nome del modello: NL-C02E) al terminale di uscita analogica RGB del computer.
- Collegare il cavo accessorio del segnale analogico al terminale di ingresso RGB analogico (INPUT-1).
 - Collegare il cavo segnale analogico venduto separatamente (nome del modello: NL-C02E) al terminale di ingresso DVI-I (INPUT-2).



- Prestando attenzione alla direzione del connettore, inserire bene il cavo del segnale verticalmente nel connettore, poi stringere le viti su entrambi i lati.

Se eseguite il collegamento ad un D sub a 15 pin in 2 file per un Apple Power Macintosh, collegate un adattatore di conversione Macintosh (da acquistare in commercio) al cavo segnale analogico.

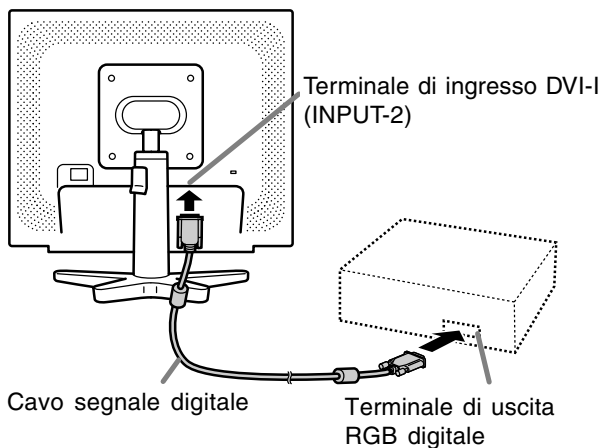


Nota:

- Se eseguite il collegamento alla serie Sun Ultra, potrebbe essere necessario un adattatore di conversione (da acquistare in commercio).

Collegamento digitale [LL-171G]

- Collegare il cavo accessorio del segnale digitale al terminale di uscita digitale RGB del computer.
- Il monitor ha un ingresso per il collegamento a un computer con un connettore di uscita compatibile DVI (DVI-D a 24 pin o DVI-I a 29 pin), e capacità d'uscita SXGA. (In funzione del tipo di computer da collegare, lo schermo potrebbe non funzionare correttamente.)



- Prestando attenzione alla direzione del connettore, inserire bene il cavo del segnale verticalmente nel connettore, poi stringere le viti su entrambi i lati.

Impostare il monitor come segue allorché si stabilisce un collegamento digitale con un Power Mac usando un adattatore ADC-DVI fabbricato da Belkin. (Il funzionamento è stato controllato con il Power Mac G4 M7627J/A.)

- Eseguire le impostazioni con l'alimentatore del Power Mac disattivato.
1. Dopo aver collegato il cavo di alimentazione, posizionate su acceso l'interruttore principale rete del monitor.
 2. Premete il tasto ◀ ed il tasto ▶ simultaneamente, e, nel farlo, premete il tasto di alimentazione (cioè accendete l'alimentazione).



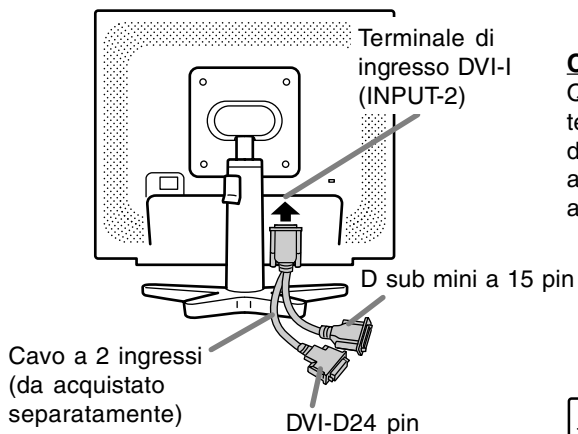
3. Impostare su [ON] usando i tasti ◀▶.
 - Non impostare su [ON] se non si sta usando un adattatore Belkin ADC-DVI, in quanto potrebbe determinare una visualizzazione non corretta.
 4. Premere il tasto MENU.
- A questo punto l'impostazione è completata.

Collegamento del monitor ed accensione e spegnimento del monitor

Per il collegamento usare un cavo a 2 ingressi, da acquistare separatamente [LL-171G]

Il cavo a 2 ingressi venduto a parte (nome del modello: NL-C03J) consente il collegamento fra il terminale di ingresso DVI-I del monitor ed i due computer (un collegamento digitale ed uno analogico).

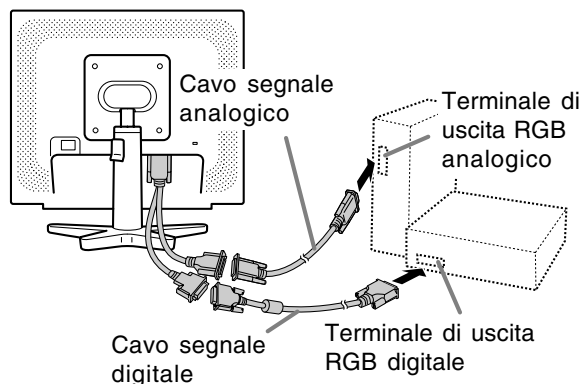
1. Collegare il cavo a 2 ingressi al terminale di ingresso DVI-I del monitor.



2. Collegare il cavo di segnale analogico accessorio o disponibile in commercio e il cavo di segnale digitale accessorio al cavo a 2 ingressi.

- Quando si usa il cavo di segnale analogico disponibile in commercio, entrambe le estremità dovrebbero essere degli spinotti D sub mini a 15 pin.

3. Collegare ciascun cavo ai computer.



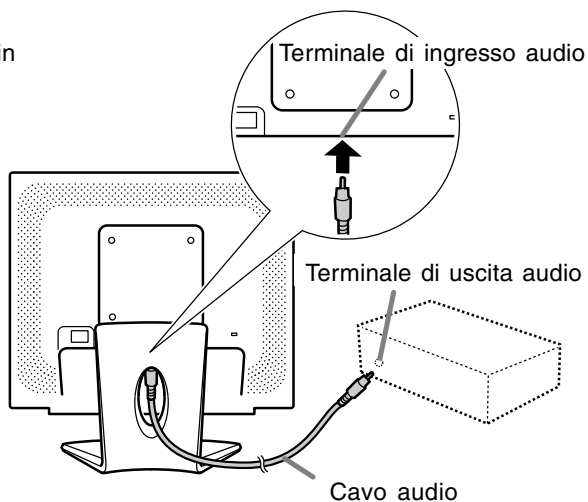
- Facendo attenzione alla direzione del connettore, inserite saldamente il cavo del segnale qui e quindi serrate le viti da entrambi i lati.

Note:

- Quando si utilizza il cavo a 2 ingressi, regolare il terminale di ingresso di connessione [INPUT-2] a [2LINES] nel menu MODE SELECT-2. (p.100).
- Il monitor collegato al cavo a 2 ingressi tramite collegamento analogico può non venire riconosciuto e configurato in modo automatico, in base al sistema Plug & Play ("inserire ed utilizzare"). In tal caso provvedere manualmente alla memorizzazione delle informazioni di setup (p.106).

Collegare il cavo audio, accessorio

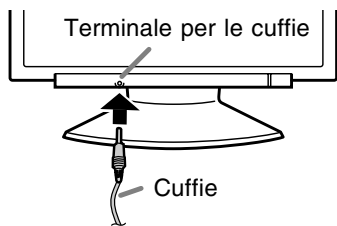
Quando il cavo audio, accessorio, è collegato al terminale di uscita audio del computer, il suono del computer collegato viene ascoltato dagli altoparlante dello schermo. È anche possibile avvalersi della presa per cuffie dello schermo.



Collegamento del monitor ed accensione e spegnimento del monitor

Collegamento delle cuffie (da acquistare in commercio)

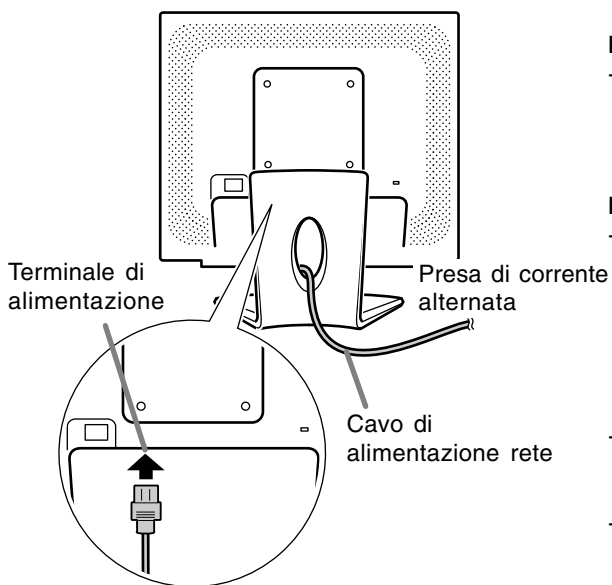
Le cuffie (da acquistare in commercio) possono essere collegate.



Nota:

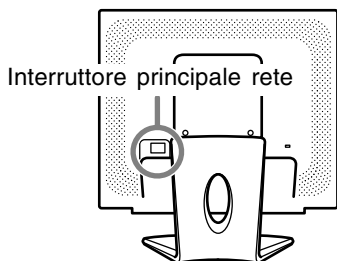
- Quando le cuffie sono collegate, non è possibile sentire nessun suono dagli altoparlanti del monitor.

Collegamento del monitor ad una sorgente di alimentazione elettrica



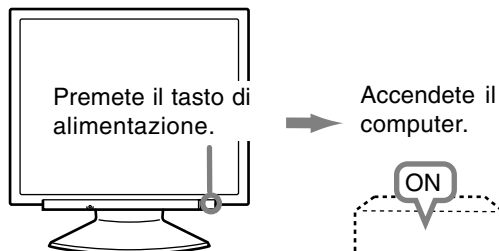
Accensione

1. Posizionate su acceso l'interruttore principale rete del monitor.



- Per accendere e spegnere l'interruttore dell'alimentazione principale, attendere sempre un tempo di almeno 5 secondi fra le due operazioni. Farlo rapidamente potrebbe essere causa di malfunzionamento.

2. Premere il tasto di alimentazione del monitor.
3. Accendete il computer.



Quando in ingresso arriva un segnale dal computer, il LED di alimentazione si illuminerà in verde ed appare la schermata. (Dopo l'accensione, per la visualizzazione della schermata bisogna attendere un piccolissimo tempo.)

Nota relativa al modello LL-171G:

- Se non è stato selezionato il terminale d'ingresso a cui il computer è collegato, la schermata non sarà visualizzata. Se necessario, cambiare terminale d'ingresso. (p.94)

Note:

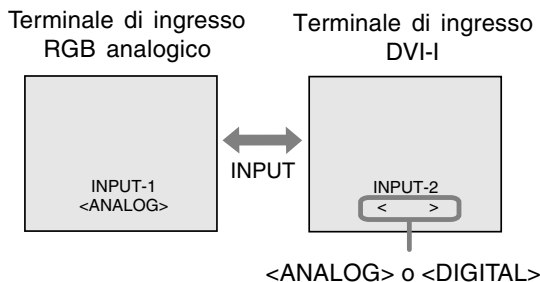
- Quando si utilizza un segnale analogico, è necessario eseguire una regolazione automatica dello schermo se si verifica una delle seguenti condizioni (p.97):
 - Si utilizza il monitor per la prima volta.
 - Sono state modificate le impostazioni del sistema durante l'uso.
- Quando viene usato il LL-171G con un collegamento digitale, la regolazione automatica dello schermo è inutile.
- A seconda del computer o del sistema operativo, potrebbe essere necessario usare il computer per installare le informazioni di setup del monitor. (p.106)
- Quando collegate ad un notebook, se lo schermo del computer del notebook è impostato in modo da visualizzare contemporaneamente, lo schermo MS-DOS potrebbe non essere in grado di visualizzare correttamente. In questo caso modificate le impostazioni in modo che solo il monitor visualizzi.

Collegamento del monitor ed accensione e spegnimento del monitor

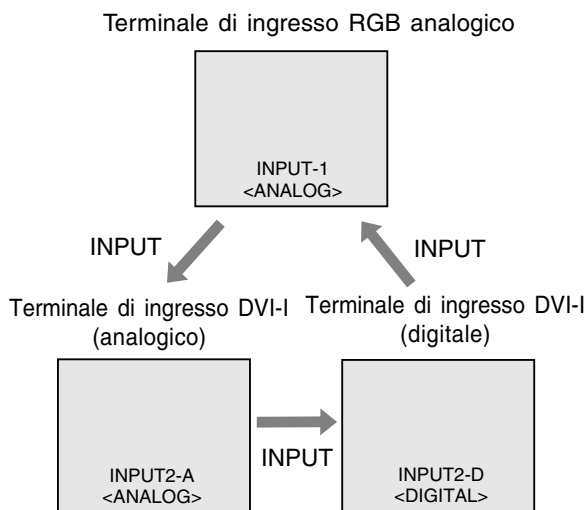
Commutare tra i terminali di ingresso

[LL-171G]

Utilizzate il pulsante INPUT per commutare tra i terminali di ingresso del segnale.



Se si fa uso di un cavo a 2 ingressi

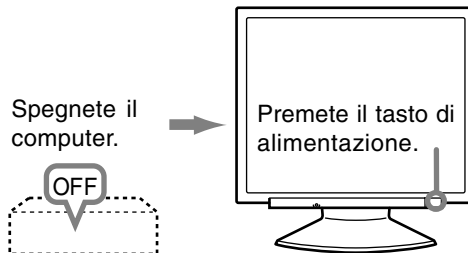


Nota:

- In assenza di segnali di ingresso compare il messaggio [NO SIGNAL] ("nessun segnale").

Spegnimento

1. Spegnete il computer.
2. Premete il tasto di alimentazione del monitor. Il LED di alimentazione si spegnerà.



Se si prevede di non usare il monitor per un periodo di tempo piuttosto lungo, spegnere l'interruttore principale rete del monitor, e rimuovere la spina dell'alimentazione principale dalla presa della rete elettrica.

Regolazione della visualizzazione sullo schermo e volume dell'altoparlante

Regolazione del volume dell'altoparlante

1. Senza che il menu OSD sia visualizzato premete il tasto ◀ oppure il tasto ▶.
2. Controllare che [VOLUME] sia selezionato. Se non è selezionato, premere il tasto ▼ / MODE e selezionare [VOLUME].



3. Eseguite la regolazione, premendo il tasto ◀ (diminuisce) oppure il tasto ▶ (aumenta).

Nota:

- L'On Screen display per la regolazione scompare alcuni secondi dopo l'ultima operazione.

Impostazione della modalità del display

La tonalità del colore o la luminosità si può impostare come segue.

STD

Visualizza un'immagine con la tonalità di colore risultante dallo schema originale del pannello a cristalli liquidi.

OFFICE

La luminosità dell'esposizione è abbassata. (Questo modo permette di risparmiare l'alimentazione.)

sRGB

sRGB è lo standard internazionale della rappresentazione dei colori specificato dall' IEC (International Electrotechnical Commission (Commissione Elettrotecnica Internazionale)). La conversione del colore si effettua, tenendo conto delle caratteristiche dei cristalli liquidi e rappresenta la tonalità di colore vicina a quella dell'immagine originale.

VIVID

Visualizza un'immagine con colori primari dinamici e vividi.

- Se [DISPLAY MODE] viene impostato su [sRGB] o [VIVID], [WHITE BALANCE] verrà impostato su [STD], e [GAMMA] su [0].

Predisposizione

A menu OSD non visualizzato agire sul tasto

▼ / MODE .

Ad ogni successiva pressione del tasto compare la voce successiva del menù (nell'ordine: STD → OFFICE → sRGB → VIVID → STD).

L'On Screen display per la regolazione scompare alcuni secondi dopo l'ultima operazione.

Verifica delle informazioni relative al prodotto

Sullo schermo si possono verificare il nome del modello (voce MODEL), il numero di serie (voce S/N), e la durata di uso (voce USAGE TIME).

1. Spegnere l'apparecchio.
2. Tenendo premuto il tasto ▼ / MODE button, agire sul tasto di attivazione ubicato sul telecomando (cioè, accendere l'apparecchio). Le informazioni del prodotto vengono visualizzate.
3. Premere il tasto MENU.

Nota:

- Notare che l'indicazione dalla durata di uso al momento dell'acquisto può risultare diversa da 0 (zero), a seguito dei controlli effettuati in fabbrica e di altre simili attività che possono aver avuto luogo durante la fabbricazione.

Regolazione della visualizzazione sullo schermo

Regolazione automatica dello schermo (quando si usa un segnale analogico)

Le opzioni nel menu ADJUSTMENT si possono regolare automaticamente (CLOCK, PHASE (FASE), H-POS, V-POS).

Note:

- Quando impostate questo monitor per la prima volta oppure dopo aver cambiato un aspetto del sistema corrente, prima dell'uso, eseguite una regolazione automatica dello schermo.
- La regolazione automatica dello schermo è inutile quando il LL-171G è usato con un collegamento digitale. Eseguire la regolazione manuale dello schermo se necessario. (p.98)

Visualizzazione della schermata per regolazione

Prima di tutto visualizzate un'immagine che rende chiaro l'intero schermo.

Se state utilizzando Windows, potete usare il monoscopio sul CD-ROM accluso.

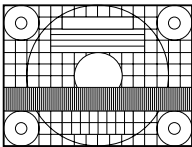
Visualizzazione del monoscopio (per Windows)

I messaggi di Windows, citati nelle istruzioni per l'uso che seguono, si basano sulla versione inglese di Windows.

Questa spiegazione è per Windows 95/98/Me/2000/XP, e parte dall'ipotesi che l'unità per CD-ROM sia "D".

1. Inserire il CD-ROM degli accessori nel lettore CD-ROM del computer.
2. Aprite [My Computer] e selezionate CD-ROM. Se state usando Windows 3.1, aprite [File Manager] e selezionate drive D.
3. Fate un doppio clic su [Adj_uty.exe], per eseguire il Programma di regolazione. Il monoscopio apparirà.

Monoscopio



Dopo aver completato le regolazioni, premete il tasto [Esc] del computer, per uscire dal Programma di regolazione.

Nota:

- Se il modo di visualizzazione del vostro computer è impostato su 65K colori, potrete vedere i valori differenti del colore in ogni tracciato di colore oppure la scala dei grigi potrà apparire colorata. (Ciò è dovuto alle specifiche del segnale di ingresso e non ad un difetto del funzionamento.)

Regolazione automatica dello schermo

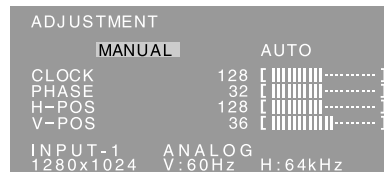
La regolazione automatica può essere effettuata usando il tasto AUTO o il tasto MENU.

Tasto AUTO [LL-171A]

1. Premere il tasto AUTO.
2. Premere nuovamente il tasto AUTO. [ADJUSTING] comparirà sullo schermo e dopo alcuni secondi [ADJUSTING] sparirà. (La regolazione automatica ora è completata.)

Tasto MENU

1. Premete il tasto MENU. Il menu ADJUSTMENT verrà visualizzato. (Esempio: schermo del modello LL-171G)



2. Premete il tasto ►.

Lo schermo diventerà scuro e verrà visualizzato [ADJUSTING]. Pochi secondi dopo il menu ADJUSTMENT ritornerà. (La regolazione automatica è ora completa.)

3. Premete il tasto MENU 5 volte per far scomparire il menu OSD (On Screen Display).

Note:

- Nella maggioranza dei casi la regolazione automatica è sufficiente.
- Potrebbe non essere possibile ottenere la giusta regolazione mediante la prima regolazione automatica. In questo caso, provare a ripetere la regolazione automatica 2 o 3 volte.
- Se necessario, per una qualsiasi delle cause seguenti, si possono eseguire delle regolazioni manuali dopo aver eseguito la regolazione automatica (p.98).
 - Quando occorre un'ulteriore regolazione fine.
 - Quando [OUT OF ADJUST] viene visualizzato. (Quando lo schermo visualizza un'immagine completamente scura, la regolazione automatica dello schermo può essere disattivata. Quando eseguite una regolazione automatica, assicuratevi di usare il monoscopio di regolazione oppure tentate di visualizzare un'immagine che rende lo schermo molto luminoso.)
 - Quando i segnali video di input del computer sono Composite Sync oppure Sync on Green. (Le regolazioni automatiche potrebbero non essere possibili.)
- La regolazione automatica potrebbe non essere ottenuta correttamente a seconda di quanto è visualizzato sullo schermo - immagini in movimento o la richiesta MS-DOS, ecc.

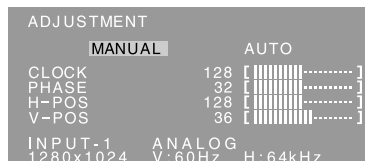
Regolazione della visualizzazione sullo schermo

Regolazione manuale dello schermo

1. Prima di tutto visualizzate un'immagine che rende chiaro l'intero schermo. (p.97)
2. Visualizzare il menu OSD premendo il tasto MENU.

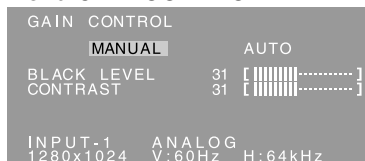
(Esempio: schermo del modello LL-171G)

Menu ADJUSTMENT



↓ MENU

Menu GAIN CONTROL



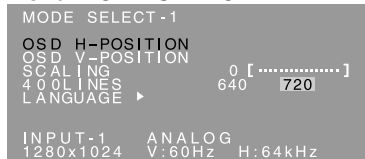
↓ MENU

Menu COLOR CONTROL



↓ MENU

Menu MODE SELECT-1



↓ MENU

Menu MODE SELECT-2



↓ MENU

Il menu OSD si chiude.

Note:

- Quando il LL-171G è usato con un collegamento digitale, le impostazioni del menu ADJUSTMENT e GAIN CONTROL non sono necessarie.
- Il menu OSD scompare automaticamente circa 30 secondi dopo l'ultimo comando.
- Questo capitolo fornisce la procedura di regolazione dello schermo mediante il monoscopio (per Windows).

Menu ADJUSTMENT (REGOL)

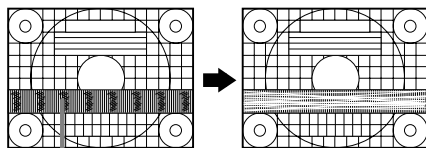
Quando il LL-171G è usato con un collegamento digitale, questa impostazione del menu non è necessaria.

AUTO

Quando [AUTO] è selezionato con il tasto ►, le impostazioni [CLOCK], [PHASE], [H-POS] e [V-POS] sono eseguite automaticamente.

CLOCK

La figura seguente dimostra come eseguire la regolazione in modo che non venga emesso del rumore di sfarfallamento verticale. (tasti ◀▶)



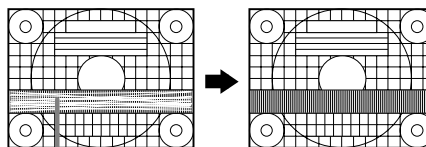
Rumore di sfarfallamento verticale

PHASE (FASE)

La figura seguente dimostra come eseguire la regolazione in modo che non venga emesso del rumore di sfarfallamento orizzontale. (tasti ◀▶)

Nota:

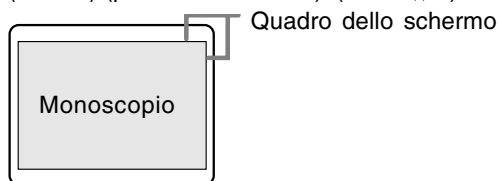
- La regolazione della [PHASE] (FASE) si dovrebbe eseguire solo dopo che si è impostato correttamente il [CLOCK].



Rumore di sfarfallamento orizzontale

H-POS (posizionamento orizzontale) e V-POS (posizionamento verticale)

Per centrare il monoscopio all'interno dei bordi dello schermo, regolate i valori sinistra - destra (H-POS) (posizione orizzontale) ed i valori su - giù (V-POS) (posizione verticale). (tasti ◀▶)



Regolazione della visualizzazione sullo schermo

Menu GAIN CONTROL (CTRL. GUADAGNO)

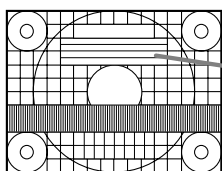
Quando il LL-171G è usato con un collegamento digitale, questa impostazione del menu non è necessaria.

AUTO

Quando [AUTO] viene selezionato con il tasto ►, le impostazioni [BLACK LEVEL] e [CONTRAST] sono eseguite automaticamente. Dopo la regolazione automatica, eseguire la regolazione manuale se necessario.

BLACK LEVEL (LIVELLO DEL NERO)

La luminosità totale dello schermo si può regolare, osservando il tracciato di colore. (tasti ◀▶)



Tracciato di colore

CONTRAST (CONTRASTO)

Mentre state osservando il tracciato di colore, si possono eseguire le regolazioni in modo che tutte le gradazioni appaiano. (tasti ◀▶)

Note:

AUTO (Auto Gain Control function (funzione controllo automatico del guadagno))

- Il Controllo automatico del guadagno regola il contrasto ed il livello del nero sulla base del colore più luminoso e più scuro dell'immagine visualizzata.
- Se non utilizzate il monoscopio, è necessario avere un'area di nero ed un'area di bianco di almeno 5 mm x 5 mm sullo schermo. In caso contrario, le regolazioni potrebbero non essere possibili.
- Se il segnale proveniente dal computer è un segnale sinc composito oppure sinc su verde, risulta impossibile eseguire la regolazione automatica. Per favore eseguite invece la regolazione manuale.
- Se risulta visualizzato il messaggio [OUT OF ADJUST] procedere alla regolazione manuale.

Menu COLOR CONTROL (CONTROLLO COLORE)

WHITE BALANCE

1. Dopo aver selezionato [WHITE BALANCE], premere il tasto ►.
Il menu WHITE BALANCE sarà visualizzato.



2. Usate i tasti ◀▶ per selezionare [COOL], [-], [STD], [-], [WARM] oppure [USER].

COOL (freddo) tonalità del colore più tendente al blu rispetto allo standard

- tonalità del colore leggermente più tendente al blu rispetto allo standard

STD Impostazione standard della tonalità di colore

- tonalità del colore leggermente più tendente al rosso rispetto allo standard

WARM (caldo) tonalità di colore più tendente al rosso rispetto allo standard

USER (UTENTE)

- Selezionando [USER] si visualizzano i valori delle impostazioni per [R-CONTRAST], [G-CONTRAST] e [B-CONTRAST], allo scopo di eseguire delle regolazioni fini.
- Usate il tasto ▼ / MODE per selezionare [R-CONTRAST], [G-CONTRAST] e [B-CONTRAST].

R-CONTRAST ◀ tasto per blu - verde
▶ tasto per rosso

G-CONTRAST ◀ tasto per porpora
▶ tasto per verde

B-CONTRAST ◀ tasto per giallo
▶ tasto per blu

3. Premete il tasto MENU.

Note:

- Nelle impostazioni diverse da [STD] non tutte le gradazioni possono essere visualizzate. Per visualizzare tutte le gradazioni, impostate su [STD].
- Se la modalità del colore [DISPLAY MODE] si trova su [sRGB] o [VIVID], non è possibile selezionare alcuna altra predisposizione all'infuori di [STD].

GAMMA

Regolare in modo da migliorare la visione delle immagini scure e di quelle chiare. Se lo schermo è scuro e la visione non è buona, aumentare il valore numerico. Se lo schermo è chiaro e la visione non è buona, diminuire il valore numerico. (tasti ◀▶)

- Se [DISPLAY MODE] viene impostato su [sRGB] o [VIVID], [GAMMA] non può essere impostato.

Regolazione della visualizzazione sullo schermo

Menu MODE SELECT-1 (SELEZ. MODO-1)

Nota:

- A seconda della risoluzione del segnale di input, anche se si possono selezionare delle opzioni di menu, il display potrebbe non cambiare.

OSD H-POSITION (posizione orizzontale dell'OSD)

La posizione del menu dell'OSD può essere spostata verso sinistra e verso destra. (tasti ◀▶)

OSD V-POSITION (posizione verticale dell'OSD)

La posizione del menu dell'OSD può essere spostata in su ed in giù. (tasti ▲▼)

SCALING (livello della scala)

Si può regolare la definizione dell'immagine. (tasti ◀▶)

Nota:

- Quando la modalità del display è impostata su meno di 1280 x 1024 pixel, il display è ingrandito per coprire l'intero schermo (cioè il rapporto dei lati del display può cambiare).

400 LINES (grado di risoluzione)

(quando si usa un segnale analogico)

Potete specificare la risoluzione orizzontale di uno schermo a 400 righe, quando usate del testo US text, ecc. (tasti ◀▶)

640: modo 640 x 400 pixel

720: modo 720 x 400 pixel (testo US ecc.)

Nota:

- Dato che l'input della risoluzione in casi diversi dalle 400 righe è eseguito automaticamente, non vi è l'esigenza di impostarlo.

LANGUAGE (LINGUA)

Potete cambiare la lingua usata nel menu OSD.

1. Premete il tasto ▶.

Il menu di selezione della lingua verrà visualizzato sullo schermo.

2. Usate il tasto ▼ / MODE per scegliere una lingua.

3. Premete il tasto MENU.

Menu MODE SELECT-2 (SELEZ. MODO-2)

INFORMATION (INFORMAZIONE)

Sullo schermo si possono verificare il nome del modello (voce MODEL), il numero di serie (voce S/N), e la durata di uso (voce USAGE TIME).

1. Una volta selezionata la voce [INFORMATION], agire sul tasto ▶.

Le informazioni del prodotto vengono visualizzate.

2. Premere il tasto MENU.

OFFTIMER

(TIMER PER SPEGNIMENTO AUTOMATICO)

Allo scadere del periodo di tempo predisposto l'apparecchio si spegne automaticamente.

1. Dopo aver selezionato la voce [OFF TIMER], premere il tasto ▶.

2. Selezionare la posizione [ON] o [OFF] agendo opportunamente sui tasti ◀ o ▶.

Se è stata selezionata la posizione [ON], agire poi sul tasto ▼ / MODE e predisporre il periodo di tempo al termine del quale si vuole che l'apparecchio si spenga automaticamente, agendo opportunamente sui tasti ◀ o ▶. (La predisposizione può essere effettuata in unità di ore, da 1 a 23 ore.)

3. Premere il tasto MENU.

- Se è stata selezionata la posizione [ON], nel corso degli ultimi 5 minuti prima dello spegnimento, e per una durata di circa 5 secondi allo scadere di ogni minuto, sullo schermo in alto a destra viene visualizzato il tempo rimanente sino allo spegnimento.

- Se il tasto di alimentazione viene premuto dopo il primo display del tempo rimanente pero prima che venga scollegata l'alimentazione, l'OFF TIMER verrà impostato su un'ora.

Per procedere poi allo spegnimento dell'apparecchio premere di nuovo il tasto di alimentazione (quando, successivamente, si riaccenderà l'apparecchio, questo verrà nuovamente a spegnersi automaticamente al termine del periodo di tempo precedentemente predisposto).

- Se si attiva il monitor con il timer di spegnimento a tempo [OFF TIMER] sulla posizione [ON], sullo schermo compare per alcuni secondi il tempo predisposto per lo spegnimento (in assenza di segnali di ingresso compare il messaggio [NO SIGNAL] "nessun segnale").

INPUT-2 [LL-171G]

Se al terminale di ingresso DVI-I (INPUT-2) sono stati collegati dei cavi per segnali digitali o analogici, selezionare la posizione [1LINE]. In caso di collegamento di un cavo a 2 ingressi selezionare la posizione [2LINES] (agendo opportunamente sui tasti ◀ o ▶).

- Se i collegamenti e le predisposizioni non sono state effettuate correttamente la visualizzazione sullo schermo non avviene in modo corretto.

Cura del monitor

Quando pulite il monitor, scollegate sempre la spina dalla presa di corrente alternata.

Mobile e pannello di controllo

Usate un panno morbido ed asciutto per portare via ogni sporcizia dal mobile e dal pannello di controllo.

Se sono molto sporchi, applicate del detersivo neutro ad un panno morbido inumidito, strizzatelo bene, e portate via la sporcizia, detergendo.

Sezione schermo LCD

Usate un panno morbido ed asciutto per portare via la sporcizia e la polvere dalla superficie dello schermo LCD. (E' adatto un panno morbido come la garza oppure quello che si usa per pulire le lenti.)

ATTENZIONE!

- Non usate mai dei solventi, della benzina, dell'alcol, del detersivo per vetri, ecc. in quando ciò può dare luogo a cambiamenti di colore o di forma.
- Non graffiate mai il monitor con qualcosa di duro e non esercitate mai una forte pressione, in quanto ciò può lasciare dei segni o dare luogo a difetti di funzionamento.

Immagazzinamento

Se il monitor non verrà usato per lungo tempo, assicuratevi di aver scollegato la spina rete dalla presa di corrente alternata.

ATTENZIONE!

- Non lasciate il monitor a contatto con gomma o plastica per periodi di tempo prolungati in quanto ciò può dare luogo a cambiamenti del colore o delle forme.

Ricerca ed eliminazione di inconvenienti

Se pensate che il monitor possa avere dei difetti di funzionamento, per favore controllate i punti seguenti, prima di portarlo a riparare.

Se, dopo questo, esso continua a non funzionare, per favore mettetevi in contatto con il negozio dove avete acquistato il monitor oppure al più vicino centro autorizzato del Servizio Tecnico Assistenza Clienti della Sharp.

I tubi fluorescenti del monitor hanno una durata di vita utile limitata.

- Se lo schermo si scurisce, lampeggia con insistenza o non si illumina, significa che il tubo fluorescente ha raggiunto la fine della sua durata di servizio.
Per favore informatevi presso il negozio, dal quale avete acquistato il monitor oppure dal Centro del Servizio Tecnico Assistenza Clienti della Sharp più vicino a voi.
- Nel periodo iniziale del loro uso, a causa delle caratteristiche dei tubi fluorescenti, lo schermo potrebbe presentare uno sfarfallamento. (Questo non è un difetto del funzionamento.)
Se ciò dovesse verificarsi, controllate, spegnendo prima di tutto l'alimentazione e quindi riaccendendola.

Nel monitor non appare nessun'immagine

(il LED dell'alimentazione non è acceso).

- Il cavo di alimentazione rete è collegato correttamente? (p.93)

Nel monitor non appare nessun'immagine

(il LED dell'alimentazione è acceso).

- Il computer è collegato correttamente? (p.90,91,92)
- Il computer è acceso?
- Se si utilizza il modello LL-171G, accertarsi che si sia selezionato il terminale di ingresso del segnale corretto.(p.94)
- Quando si usa il LL-171G, verificare se [INPUT-2] è impostato correttamente nel menu MODE SELECT-2. (p.100)
- La sincronizzazione del segnale del computer corrisponde alle specifiche del monitor? (p.104)
- Il computer si trova nel modo risparmio energetico?

I tasti di controllo non funzionano.

- Il blocco di regolazioni è attivo? (p.95)

L'immagine appare distorta.

- La sincronizzazione del segnale del computer corrisponde alle specifiche del monitor? (p.104)
- Se state usando il segnale analogico, eseguite la regolazione automatica dello schermo. (p.97)
- Se è possibile modificare il rapporto di frequenza del computer che si sta utilizzando, passare ad una frequenza inferiore. (p.104)

Non si sente nessun suono dagli altoparlanti.

- Il cavo audio è connesso correttamente? (p.92)
- Eseguite la procedura di regolazione del volume. (p.96)
- Le cuffie sono collegate?
- Non c'è suono dagli altoparlanti quando il monitor si trova in modalità di risparmio energetico (la spia LED di alimentazione si illumina in colore arancione).

Specifiche

Specifiche del prodotto

Nome del modello

LL-171A-W (Bianco)/LL-171A-B (Nero)

LL-171G-W (Bianco)/LL-171G-B (Nero)

Display LCD

43 cm misurati diagonalmente Modulo TFT LCD

Risoluzione (max.)

SXGA 1280 x 1024 pixel

Colori visualizzabili (max.)

Circa 16,19 million di colori (6 bit + FRC)

Luminosità (max.)

250 cd/m²

Dimensione dei pixel

0,264 (H) x 0,264 (V) mm

Rapporto del contrasto

430:1

Angolo di visibilità

Sinistra - destra 170°; alto - basso 150°

(rapporto del contrasto > 5)

Dimensioni di visualizzazione dello schermo

Orizzontale 337,9 mm x Verticale 270,3 mm

Segnale video

[LL-171A] RGB analogico (0,7 Vp-p) [75Ω]

[LL-171G] Analogico: RGB analogico (0,7 Vp-p) [75Ω]

Digitale: DVI standard basato su 1.0

Segnale di sincronismo

Sincronismo separato (livello TTL: +/-),

sincronismo su verde, sincronismo composito

(livello TTL: +/-)

Compensazione dell'espansione

Filtraggio digitale (Ingrandimento degli schermi VGA/SVGA/XGA, ecc. sino a schermo di grandi dimensioni.)

Plug & Play

VESA Compatibile DDC2B

Gestione dell'energia

[LL-171A] VESA: basata su DPMS

[LL-171G] VESA: basata su DPMS

DVI: basata su DMPM

Uscita altoparlanti

1 W + 1 W

Terminale del segnale di ingresso

[LL-171A] D sub mini a 15 pin in 3 file

[LL-171G] Analogico: D sub mini a 15 pin in 3 file

Digitale/Analogico: 29 pin DVI-I

Terminale di ingresso audio

Jack stereo mini

Terminale per le cuffie

Jack stereo mini

Regolazione dell'altezza [LL-171G]

Campo di regolazione: circa 70 mm

Inclinazione dello schermo

Verso l'alto circa 0 - 25°; verso il basso circa 0 - 5°

Rotazione dello schermo [LL-171G]

Circa 45° dal centro alla sinistra e circa 45° dal centro alla destra.

Alimentazione

AC100 - 240 V, 50/60 Hz

Temperatura dell'ambiente operativo

5 - 35°C

Potenza assorbita

30 W (senza ingresso audio)

(35 W Massima, 1 W in modo risparmio energetico)

Dimensioni (L x P x A)

[LL-171A]

Circa 374 mm x 205 mm x 374 mm

[LL-171G]

Circa 374 mm x 236 mm x 368 - 438 mm

Peso

[LL-171A]

Circa 6,0 kg (circa 4,2 kg escluso il supporto)

(Esclusi i cavi.)

[LL-171G]

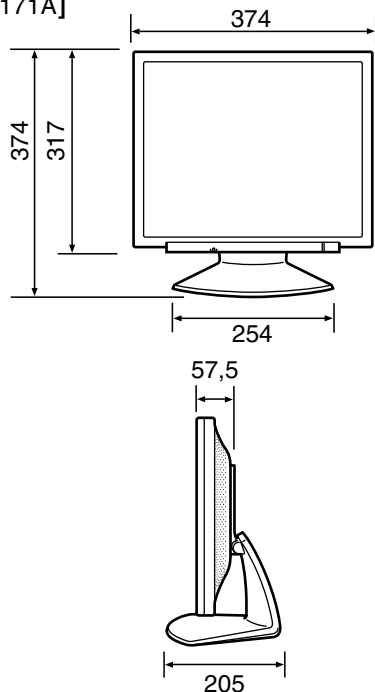
Circa 5,6 kg (circa 4,2 kg escluso il supporto)

(Esclusi i cavi.)

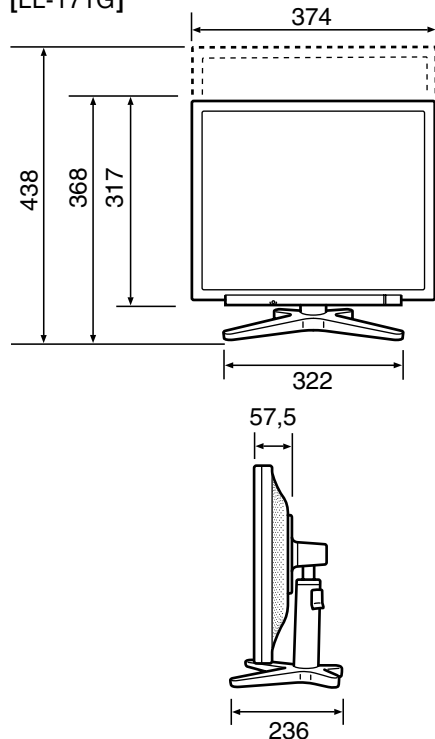
Specifiche

Dimensioni (Unità: mm)

[LL-171A]



[LL-171G]



- Cavo segnale analogico: circa 1,8 m
- Cavo audio: circa 1,8 m

[LL-171G]

- Cavo segnale digitale: circa 1,8 m
- Cavo segnale analogico, NL-C02E (da acquistato separatamente): circa 2,0 m
- Cavo a 2 ingressi, NL-C03J (da acquistato separatamente): circa 0,25 m

Nota:

- Per facilitare una politica di miglioramenti continui, la SHARP si riserva il diritto di cambiare il disegno e le caratteristiche per perfezionamenti senza preavviso. Le caratteristiche di prestazioni numericamente indicate sono valori nominali delle unità di produzione. Possono tuttavia verificarsi variazioni di valori rispetto ai suddetti nelle unità individuali.

Specifiche

Sincronizzazioni rilevanti del segnale (analogico)

Modalità di visualizzazione		Sincronismo orizzontale	Sincronismo verticale	Frequenza punti	
VESA	640x480	31,5kHz	60Hz	25,175MHz	
		37,9kHz	72Hz	31,5MHz	
	800x600	37,5kHz	75Hz	31,5MHz	
		35,1kHz	56Hz	36,0MHz	
		37,9kHz	60Hz	40,0MHz	
		48,1kHz	72Hz	50,0MHz	
	1024x768	46,9kHz	75Hz	49,5MHz	
		48,4kHz	60Hz	65,0MHz	
		56,5kHz	70Hz	75,0MHz	
	1152x864	60,0kHz	75Hz	78,75MHz	
		67,5kHz	75Hz	108,0MHz	
		1280x960	60,0kHz	60Hz	108,0MHz
		1280x1024	64,0kHz	60Hz	108,0MHz
80,0kHz		75Hz	135,0MHz		
Testo US	720x400	31,5kHz	70Hz	28,3MHz	
Serie Power Macintosh	640x480	35,0kHz	66,7Hz	30,2MHz	
	832x624	49,7kHz	74,6Hz	57,3MHz	
	1024x768	60,2kHz	75Hz	80,0MHz	
	1152x870	68,7kHz	75Hz	100,0MHz	
	1280x1024	64,0kHz	60Hz	108,0MHz	
Serie Sun Ultra	1024x768	80,0kHz	75Hz	135,0MHz	
		48,3kHz	60Hz	64,13MHz	
		53,6kHz	66Hz	70,4MHz	
	1152x900	56,6kHz	70Hz	74,25MHz	
		61,8kHz	66Hz	94,88MHz	
	1280x1024	71,8kHz	76,2Hz	108,23MHz	
		71,7kHz	67,2Hz	117,01MHz	
		81,1kHz	76Hz	134,99MHz	

- La risoluzione consigliata è 1280 x 1024.
- Tutti sono conformi solo al non interlacciamento.
- Le frequenze per le serie Power Macintosh e Sun Ultra sono valori di riferimento. Per collegare, potrebbe essere necessario un altro adattatore (da acquistare in commercio).
- Se il monitor riceve dei segnali di sincronismo che non sono compatibili, verrà visualizzato [OUT OF TIMING]. Seguite il manuale di istruzioni del vostro computer per impostare il sincronismo in modo da renderlo compatibile con quello del monitor.
- Se il monitor non riceve nessun segnale (segnale di sincronismo), verrà visualizzato [NO SIGNAL].

Sincronizzazioni rilevanti del segnale (digitale) [LL-171G]

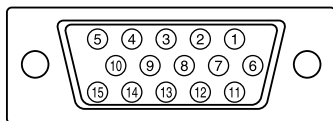
Modalità di visualizzazione		Sincronismo orizzontale	Sincronismo verticale	Frequenza punti
VESA	640x480	31,5kHz	60Hz	25,175MHz
		37,9kHz	72Hz	31,5MHz
	800x600	37,5kHz	75Hz	31,5MHz
		37,9kHz	60Hz	40,0MHz
		48,1kHz	72Hz	50,0MHz
		46,9kHz	75Hz	49,5MHz
	1024x768	48,4kHz	60Hz	65,0MHz
		56,5kHz	70Hz	75,0MHz
		60,0kHz	75Hz	78,75MHz
	1152x864	67,5kHz	75Hz	108,0MHz
	1280x960	60,0kHz	60Hz	108,0MHz
1280x1024	64,0kHz	60Hz	108,0MHz	
Testo US	720x400	31,5kHz	70Hz	28,3MHz

- La risoluzione consigliata è 1280 x 1024.
- Tutti sono conformi solo al non interlacciamento.
- A questo terminale è possibile collegare un computer con un terminale di uscita conforme a DVI (DVI-D24 pin oppure DVI-I29 pin) e con capacità di uscita SXGA. (A seconda del tipo di computer da collegare il display può non funzionare correttamente.)
- Se il monitor riceve dei segnali di sincronismo che non sono compatibili, verrà visualizzato [OUT OF TIMING]. Seguite il manuale di istruzioni del vostro computer per impostare il sincronismo in modo da renderlo compatibile con quello del monitor.
- Se il monitor non riceve nessun segnale (segnale di sincronismo), verrà visualizzato [NO SIGNAL].

Specifiche

Pin del connettore di ingresso del segnale analogico

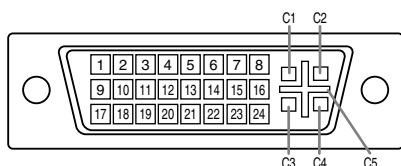
(Connettore D sub mini a 15 pin)



N°	Funzione
1	Segnale video rosso in ingresso
2	Segnale video verde in ingresso
3	Segnale video blu in ingresso
4	GND (massa)
5	GND (massa)
6	GND (massa) per il segnale video rosso
7	GND (massa) per il segnale video verde
8	GND (massa) per il segnale video blu
9	+5V
10	GND (massa)
11	GND (massa)
12	Dati DDC
13	Per l'input del segnale di sincronismo orizzontale
14	Per l'input del segnale di sincronismo verticale
15	Clock DDC

Pin del connettore di ingresso DVI-I [LL-171G]

(Connettore DVI-I con 29 pin)



N°	Funzione	N°	Funzione
1	Dati TMDS 2-	16	Rilevamento Hot plug
2	Dati TMDS 2+	17	Dati TMDS 0-
3	Dati TMDS schermo 2/4	18	Dati TMDS 0+
4	N.C.	19	Dati TMDS schermo 0/5
5	N.C.	20	N.C.
6	Clock DDC	21	N.C.
7	Dati DDC	22	Clock TMDS schermo
8	Segnale analogico sincronizzato verticalmente	23	Clock TMDS +
9	Dati TMDS 1-	24	Clock TMDS -
10	Dati TMDS 1+	C1	Segnale analogico rosso dell'immagine
11	Dati TMDS schermo 1/3	C2	Segnale analogico verde dell'immagine
12	N.C.	C3	Segnale analogico blu dell'immagine
13	N.C.	C4	Segnale analogico sincronizzato orizzontalmente
14	+5V	C5	GND (massa) analogica
15	GND (massa)		

Gestione dell'energia

Il modello LL-171A si basa sul VESA DPMS. Il modello LL-171G si basa sia sul VESA DPMS che sul DVI DMPM. Per attivare la funzione di gestione energetica, è necessario che anche la scheda video e il computer utilizzato siano conformi a queste norme.

DPMS: Display Power Management Signalling

Modo DPMS	Schermo	Potenza assorbita	Sinc. orizzontale	Sinc. verticale
ON	Attivo	35 W	Sì	Sì
STANDBY	Non attivo	1W	No	Sì
SUSPEND			Sì	No
OFF			No	No

DMPM: Digital Monitor Power Management [LL-171G]

Modo DMPM	Schermo	Potenza assorbita
ON	Attivo	35 W
OFF	Non attivo	1 W

DDC (Plug & Play)

Questo monitor supporta lo standard VESA DDC (Display Data Channel).

DDC è uno standard per i segnali per eseguire le funzioni Plug & Play sul monitor o sul PC. Esso trasferisce delle informazioni, come il grado di risoluzione, tra il monitor ed il PC. Potete utilizzare questa funzione se il vostro PC è conforme al DDC e se è impostato in modo da rilevare il monitor Plug & Play.

Vi sono molte varietà di DDC dovute alle differenze tra i sistemi. Questo monitor funziona con DDC2B.

Installazione delle informazioni di setup e del profilo ICC (Per Windows)

A seconda del computer oppure del sistema operativo può essere necessario usare il computer per eseguire l'installazione delle informazioni di setup del monitor, ecc. In questo caso, seguite i passi indicati sotto per installare le informazioni di setup del monitor. (A seconda del tipo di computer oppure del sistema operativo, i nomi dei comandi ed i metodi possono essere differenti. Per favore seguite il manuale d'uso proprio del computer, mentre leggete questo.)

Profilo ICC

Un profilo ICC (International Color Consortium) è un file che descrive le caratteristiche cromatiche di riproduzione del monitor LCD. Utilizzando un'applicazione che funziona con un profilo ICC, si può realizzare un'elevata riproduzione dei colori.

- Windows 98/Me/2000/XP utilizzano tutti i profili ICC.
- Quando si installano le informazioni del setup di Windows 98/Me/2000/XP (descritte di seguito), anche il profilo ICC viene installato. Se desiderate installare solo il profilo ICC, per favore fate riferimento a **Installazione del profilo ICC** a pagina 108.
- In caso di uso del profilo ICC, procedere alla predisposizione come segue:
 - Modalità [DISPLAY MODE]: [STD] o [OFFICE]
 - Modalità [WHITE BALANCE]: [STD]
 - Modalità [GAMMA]: [0]

Per Windows 95

Installazione delle informazioni di setup del monitor in Windows 95. I messaggi di Windows, citati nelle istruzioni per l'uso che seguono, si basano sulla versione inglese di Windows. In questa spiegazione si parte dall'ipotesi che l'unità per CD-ROM sia "D".

1. Inserire il CD-ROM degli accessori nel lettore CD-ROM del computer.
2. Fate clic sul pulsante [Start]. Da [Settings], scegliete [Control Panel].
3. Fate doppio clic su [Display].
4. Fate clic su [Settings], [Advanced Properties], e [Monitor], e quindi [Change].
5. Fate clic su [Have disk], confermate che [Copy manufacturer's files from:] è [D:] quindi fate clic su [OK].
6. Verificate che le impostazioni del monitor siano selezionate e fate clic su [OK].
7. Controllate che il monitor visualizzi, quindi fate clic su [Apply].
8. Fate clic su [OK], e chiudete la finestra.

Per Windows 98

Installazione delle informazioni di setup del monitor in Windows 98, e impostazione del profilo ICC del monitor come valore predeterminato. I messaggi di Windows, citati nelle istruzioni per l'uso che seguono, si basano sulla versione inglese di Windows.

In questa spiegazione si parte dall'ipotesi che l'unità per CD-ROM sia "D".

Se è apparsa la schermata "Add New Hardware Wizard":

1. Inserire il CD-ROM degli accessori nel lettore CD-ROM del computer.
2. Fate clic su [Next].
3. Spuntate [Display a list of all the drivers in a specific location, so you can select the driver you want.], quindi fate clic su [Next].
4. Quando viene visualizzato [Models], fate clic su [Have disk], confermate che [Copy manufacturer's files from:] è [D:], e fate clic su [OK].
5. Verificate che i particolari del monitor siano selezionati, fate quindi clic su [Next], [Next], e [Finish]. Se appare "Add New Hardware Wizard", ripetete i comandi dell'installazione, cominciando da 2 sopra.

Se la schermata "Add New Hardware Wizard" non è apparsa:

1. Inserire il CD-ROM degli accessori nel lettore CD-ROM del computer.
2. Fate clic sul pulsante [Start]. Da [Settings], scegliete [Control Panel].
3. Fate doppio clic su [Display].
4. Fate clic su [Settings], [Advanced] e [Monitor].
5. In [Options], spuntate [Automatically detect Plug & Play monitors] e fate clic su [Change].
6. Fate clic su [Next].
7. Fate clic su [Display a list of all the drivers in a specific location, so you can select the driver you want.], quindi fate clic su [Next].
8. Quando viene visualizzato [Models], fate clic su [Have disk], confermate che [Copy manufacturer's files from:] è [D:], e fate clic su [OK].
9. Verificate che i particolari del monitor siano selezionati, fate quindi clic su [Next], [Next], e [Finish].
10. Controllate che il monitor visualizzi, quindi fate clic su [Apply].
11. Fate clic su [OK], e chiudete la finestra.

Installazione delle informazioni di setup e del profilo ICC (Per Windows)

Per Windows 2000

Installazione delle informazioni di setup del monitor in Windows 2000, e impostazione del profilo ICC del monitor come valore predeterminato. I messaggi di Windows, citati nelle istruzioni per l'uso che seguono, si basano sulla versione inglese di Windows. In questa spiegazione si parte dall'ipotesi che l'unità per CD-ROM sia "D".

1. Inserire il CD-ROM degli accessori nel lettore CD-ROM del computer.
2. Fate clic sul pulsante [Start]. Da [Settings], scegliete [Control Panel].
3. Fate doppio clic su [Display].
4. Fate clic su [Settings], [Advanced] e [Monitor].
5. Fate clic su [Properties], [Driver] e [Update Driver].
6. Quando appare [Upgrade Device Driver Wizard], fate clic su [Next].
7. Spuntate [Display a list of the known drivers for this device so that I can choose a specific driver] e fate clic su [Next].
8. Quando viene visualizzato [Models], fate clic su [Have disk], confermate che [Copy manufacturer's files from:] è [D:], e fate clic su [OK].
9. Selezionate il monitor dall'elenco visualizzato e fate clic su [Next].
10. Fate clic su [Next], verificate che il nome del monitor appaia sullo schermo, e fate clic su [Finish]. Se appare [The Digital Signature Not Found], fate clic su [Yes].
11. Fate clic su [Close].
12. Fate clic su [OK], e chiudete la finestra.

Per Windows Me

Installazione delle informazioni di setup del monitor in Windows Me, e impostazione del profilo ICC del monitor come valore predeterminato. I messaggi di Windows, citati nelle istruzioni per l'uso che seguono, si basano sulla versione inglese di Windows. In questa spiegazione si parte dall'ipotesi che l'unità per CD-ROM sia "D".

Se è apparsa la schermata "Add New Hardware Wizard":

1. Inserire il CD-ROM degli accessori nel lettore CD-ROM del computer.
2. Spuntate [Specify the location of the driver [Advanced]] e fate clic su [Next].
3. Spuntate [Display a list of all the drivers in a specific location, so you can select the driver you want.], quindi fate clic su [Next].
4. Quando viene visualizzato [Models], fate clic su [Have disk], confermate che [Copy manufacturer's files from:] è [D:], e fate clic su [OK].
5. Selezionate i dettagli del monitor dalla lista, fate quindi clic su [Next], [Next], e [Finish]. Se appare "Add New Hardware Wizard", ripetete i comandi dell'installazione, cominciando da 2 sopra.

Se la schermata "Add New Hardware Wizard" non è apparsa:

1. Inserire il CD-ROM degli accessori nel lettore CD-ROM del computer.
2. Fate clic sul pulsante [Start]. Da [Settings], scegliete [Control Panel].
3. Fate doppio clic su [Display].
4. Fate clic su [Settings], [Advanced] e [Monitor].
5. In [Options], spuntate [Automatically detect Plug & Play monitors] e fate clic su [Change].
6. Spuntate [Specify the location of the driver [Advanced]] e fate clic su [Next].
7. Spuntate [Display a list of all the drivers in a specific location, so you can select the driver you want.] e fate clic su [Next].
8. Quando viene visualizzato [Models], fate clic su [Have disk], confermate che [Copy manufacturer's files from:] è [D:], e fate clic su [OK].
9. Selezionate i dettagli del monitor, quindi fate clic su, [Next], [Next], e [Finish].
10. Controllate che i dettagli del monitor siano visualizzati, fate quindi clic su [Apply].
11. Fate clic su [OK], e chiudete la finestra.

Installazione delle informazioni di setup e del profilo ICC (Per Windows)

Per Windows XP

Installazione delle informazioni di setup del monitor in Windows XP, e impostazione del profilo ICC del monitor come valore predeterminato. I messaggi di Windows, citati nelle istruzioni per l'uso che seguono, si basano sulla versione inglese di Windows.

In questa spiegazione si parte dall'ipotesi che l'unità per CD-ROM sia "D".

1. Inserire il CD-ROM degli accessori nel lettore CD-ROM del computer.
2. Fate clic sul pulsante [Start]. Scegliete [Control Panel].
3. Cambia in "Classic View".
4. Fate doppio clic su [Display].
5. Fate clic su [Settings], [Advanced] e [Monitor].
6. Fate clic su [Properties], [Driver] e [Update Driver].
7. Quando appare [Hardware Update Wizard], spuntate [Install from a list or specific location [Advanced]], fate clic su [Next].
8. Spuntate [Don't search. I will choose the driver to install.] e fate clic su [Next].
9. Fate clic su [Have disk], confermate che [Copy manufacturer's files from:] è [D:], e fate clic su [OK].
10. Selezionate il monitor dall'elenco visualizzato e fate clic su [Next].
Se appare [has not passed Windows Logo testing...], fate clic su [Continue Anyway].
11. Verificate che il nome del monitor appaia sullo schermo, e fate clic su [Finish].
12. Fate clic su [Close].
13. Fate clic su [OK], e chiudete la finestra.

Installazione del profilo ICC

Installazione del profilo ICC del monitor. (Se le informazioni di setup sono già installate, lo è anche il profilo e non occorre installarlo.)

I messaggi di Windows, citati nelle istruzioni per l'uso che seguono, si basano sulla versione inglese di Windows.

In questa spiegazione si parte dall'ipotesi che l'unità per CD-ROM sia "D".

1. Inserire il CD-ROM degli accessori nel lettore CD-ROM del computer.
 2. Fate clic sul pulsante [Start]. Da [Settings], scegliete [Control Panel].
 3. Fate doppio clic su [Display].
 4. Fate clic su [Settings] e [Advanced].
 5. Fate clic su [General] e da [Compatibility] selezionate [Apply the new display setting without restarting], quindi fate clic su [Color Management].
 6. Fate clic su [Add], e selezionate CD-ROM come localizzazione del file.
 7. Selezionate il profilo cromatico che volete installare e fate clic su [Add].
 8. Selezionate il profilo e fate clic su [Set As Default].
 9. Fate clic su [OK], e chiudete la finestra.
- In caso di uso del profilo ICC, procedere alla predisposizione come segue:
- Modalità [DISPLAY MODE]: [STD] o [OFFICE]
 - Modalità [WHITE BALANCE]: [STD]
 - Modalità [GAMMA]: [0]

Informazioni sul profilo ColorSync (Per MacOS)

Il profilo ColorSync

ColorSync è il sistema di gestione dei colori della Apple Computer e consente di realizzare la riproduzione dei colori, quando lo si usa con un'applicazione compatibile. Un profilo ColorSync descrive le caratteristiche cromatiche del monitor LCD.

Note:

- Il profilo ColorSync di questo monitor funziona con MacOS 8.5 o superiore.
- In caso di uso del profilo ColorSync, procedere alla predisposizione come segue:
 - Modalità [DISPLAY MODE]: [STD] o [OFFICE]
 - Modalità [WHITE BALANCE]: [STD]
 - Modalità [GAMMA]: [0]

Impostazione del profilo ColorSync

Note:

- Il computer deve contenere installati uno dei due programmi **PC Exchange** o **File Exchange**.
- A seconda del tipo di computer oppure del sistema operativo, i nomi dei comandi ed i metodi possono essere differenti. Per favore seguite il manuale d'uso proprio del computer, mentre leggete questo.

1. Inserire il CD-ROM degli accessori nel lettore CD-ROM del computer.
2. Copiare il profilo da usare dal CD-ROM alla cartella di profili ColorSync nella cartella sistema.
3. Utilizzando il ColorSync sul pannello di controllo, selezionate il profilo da usare.

Istruzioni per collegare un braccio compatibile VESA

E' possibile collegare al monitor un braccio oppure un supporto basati sullo standard VESA (da acquistare in commercio). L'acquisto del braccio oppure del supporto è a discrezione del cliente.

Bracci o supporti che si possono utilizzare

I collegamenti devono soddisfare le seguenti condizioni.

- Compatibilità con lo standard VESA.
- Presentare un intervallo di almeno 100 mm x 100 mm tra i fori delle viti sulla sezione da collegare.
- Avere una struttura che renda improbabile una caduta oppure una rottura dopo il collegamento al monitor.

Come collegare il braccio oppure il supporto

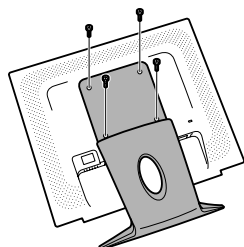
- Fate attenzione a non piegare eccessivamente il cavo oppure nell'aggiungere dei cavi di prolunga, in quanto ciò potrebbe dare luogo a disturbi al funzionamento.
- Nel seguire queste istruzioni, per favore fate riferimento anche alle istruzioni per l'installazione nel manuale d'uso accluso al braccio oppure al supporto.

ATTENZIONE!

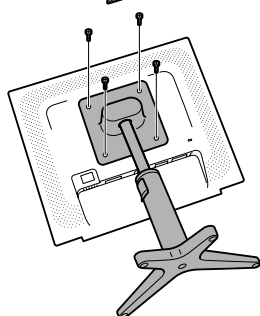
- Fare attenzione non mettere le vostre dita intrappolate fra il display ed il supporto né lasciare il supporto cadere. Si rischia di ferirsi.

1. Rimuovere i cavi.
2. Stendete un panno morbido su una superficie orizzontale adatta.
3. Facendo attenzione a non danneggiare il monitor, appoggiate il monitor sul lato del suo display.
 - Per il LL-171G, estendere il supporto al massimo e bloccarlo prima di posizionare il monitor. (p.89)
4. Rimuovete le quattro viti e rimuovete quindi il supporto dal monitor.

[LL-171A]



[LL-171G]



Note:

- Il supporto è progettato appositamente per questo monitor, non usatelo per altri apparecchi e scopi.
- Vi si raccomanda di conservare le quattro viti, che sono state tolte, insieme al supporto, che è stato rimosso, in modo da poterlo usare di nuovo, fissando con le quattro viti corrette. Usando altre viti si può danneggiare il monitor internamente.



ATTENZIONE:

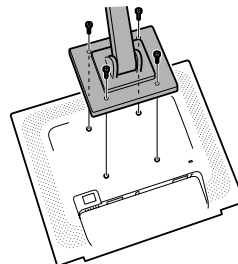
Non smontare il supporto di sostegno. Le parti potrebbero saltar fuori ed essere causa d'infortunio.



ATTENZIONE:

Immagazzinare il supporto del LL-171G nella sua posizione più estesa. Quando il supporto è immagazzinato in uno stato contratto, il fermo può liberarsi inavvertitamente ed il supporto può estendersi bruscamente, provocando una ferita.

5. Attaccate il braccio al monitor con le quattro viti.



Nota:

- Le viti usate per attaccare il braccio dovrebbero essere viti M4 con una lunghezza di 4 - 5 mm sporgenti dalla superficie da collegare. Usando qualsiasi altro tipo di viti può dare luogo alla caduta del monitor oppure a danni alla parte interna del monitor.

4 - 5 mm



Viti usate per attaccare il braccio

Braccio

Parte del monitor alla quale il braccio è collegato

Índice

Sugerencias y precauciones de seguridad	112
Descripción del producto	114
Ajuste de ángulo y ajuste de altura	115
Conexión del monitor y encendido/apagado del mismo	116
Asegurando los cables [LL-171G]	116
Conexión del monitor a un ordenador	116
Conexión de auriculares (de venta en el comercio)	119
Conexión del monitor a una toma de corriente	119
Encendido	119
Alternar entre bornes de entrada [LL-171G]	120
Apagado	120
Ajuste de la pantalla y volumen del altavoz	121
Regulación de la retroiluminación	121
Ajuste del volumen del altavoz	122
Configuración del modo de pantalla	122
Comprobación de la información del producto	122
Ajuste de la pantalla	123
Ajuste de pantalla automático (cuando se utiliza una señal analógica)	123
Ajuste de pantalla manual	124
Conservación del monitor	127
Conservación del monitor	127
Almacenamiento	127
Solución de problemas	127
Especificaciones	128
Instalación de la información de configuración y del perfil ICC (Para Windows)	132
Información acerca del perfil ColorSync (Para MacOS)	135
Instrucciones para acoplar un brazo de compatibilidad VESA	136

Sugerencias y precauciones de seguridad

- El panel LCD en color TFT utilizado en este monitor ha sido fabricado aplicando una tecnología de alta precisión. Sin embargo, hay muchos puntos minúsculos en la pantalla en los que los píxeles nunca se encienden o se mantienen encendidos permanentemente. Además, si la pantalla se mira desde un ángulo agudo, pueden verse incluso colores o brillo irregulares. Tenga en cuenta que esto no es ningún fallo del funcionamiento, sino que es un fenómeno común de los LCDs y no afectará para nada al rendimiento del monitor.
- No deje el monitor funcionando en imagen fija durante prolongados intervalos de tiempo, ya que ello puede provocar que permanezcan imágenes oscuras.
- Si la luminosidad se ajusta al nivel mínimo, puede resultar difícil ver el contenido de la pantalla.
- La calidad de la señal transmitida por el ordenador puede afectar la calidad de la pantalla. Le recomendamos que utilice un ordenador capaz de transmitir señales de vídeo de alta calidad.
- No frote ni golpee jamás el monitor con objetos duros.
- Sharp Corporation no asume responsabilidad alguna por las faltas cometidas durante el uso por parte del usuario o de terceros, ni por cualquier otra anomalía o daños a este producto que pudieran resultar durante su utilización, excepto en los casos en los que la obligación de indemnizar esté legalmente reconocida.
- El presente monitor y sus accesorios pueden actualizarse sin previo aviso.

Ubicación

- No coloque el monitor en lugares mal ventilados, polvorientos o con un alto grado de humedad o donde el monitor pueda entrar en contacto con aceite o vapor, ya que ello podría provocar un incendio.
- Asegúrese de que el monitor no entre en contacto con agua u otros líquidos. Asegúrese de que no penetren en el monitor objetos tales como clips o alfileres ya que ello podría provocar un incendio o una descarga eléctrica.
- No coloque el monitor sobre objetos inestables o en lugares inseguros. No permita que el monitor quede sometido a intensas sacudidas o vibraciones. La caída o vuelco del monitor puede provocar la avería del mismo.
- No coloque el monitor en lugares en los que quede expuesto directamente a los rayos solares, ni cerca de equipos de calefacción o cualquier otro lugar donde se puedan alcanzar altas temperaturas, ya que ello puede llevar a un calentamiento excesivo y provocar un incendio.

El cable de alimentación

- No deteriore el cable de alimentación ni coloque objetos pesados sobre el mismo ni lo estire o doble excesivamente. No utilice tampoco cables de prolongación. Si el cable de alimentación se daña, puede provocar un incendio o una descarga eléctrica.
- Utilice solamente el cable de alimentación suministrado con el monitor.
- Enchufe la clavija de alimentación directamente en la toma de corriente alterna. El uso de un cable de prolongación puede provocar un incendio como resultado de un calentamiento excesivo.
- No quite ni introduzca la clavija de alimentación con las manos húmedas. Esto podría ocasionar una descarga eléctrica.

Sugerencias y precauciones de seguridad

Lista de comprobación del monitor y sus accesorios

- Compruebe que el paquete incluye los siguientes componentes:
 - Monitor LCD (1)
 - Cable de señal analógica (1)
(nombre del modelo: 0NW1738GAB01A)
 - [LL-171G] Cable de señal digital (1)
(nombre del modelo: 0NW1748LAB007)
 - Cable de audio (1)
(nombre del modelo: 0NW0173056023)
 - [LL-171G] Abrazadera para cables (2)
 - CD-ROM (1)
 - Manual de uso (1)

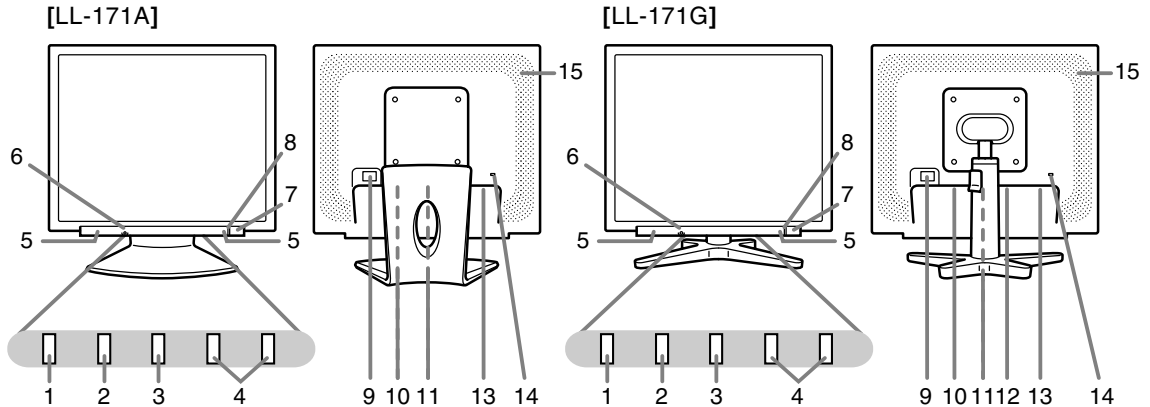
Notas:

- [LL-171A] Utilice solamente los cables suministrados con el monitor.
- Asegúrese de utilizar cables que tengan menos de 3 m de longitud.
- [LL-171G] El cable de señal analógica (DVI-I29 vías – mini D-sub 15 vías) debe comprarse por separado.
(nombre del modelo: NL-C02E)
- [LL-171G] El cable de 2 entradas (DVI-I29 vías – DVI-D24 vías/mini D-sub 15 vías) debe comprarse por separado.
(nombre del modelo: NL-C03J)
- Guarde la caja de cartón por si necesita transportar el monitor.
- Sharp Corporation es titular de los derechos de autor del programa del Disquete de utilidades. No lo reproduzca sin previa autorización.
- La forma de los accesorios suministrados puede no coincidir totalmente con la mostrada en este manual.

Contenido del manual

- Este manual fue diseñado para ser utilizado con LL-171A y LL-171G. Cuando se describe una especificación diferente entre los modelos, también se brindará el nombre del modelo. (Si no se brinda el nombre del modelo, la descripción es válida para ambos modelos. Para conocer la apariencia del producto, se utilizan ilustraciones de LL-171A en este manual.)
- En este manual nos referimos a Microsoft Windows XP como "Windows XP", a Microsoft Windows Millennium como "Windows Me", a Microsoft Windows 2000 como "Windows 2000", a Microsoft Windows 98 como "Windows 98", a Microsoft Windows 95 como "Windows 95" y a Microsoft Windows Versión 3.1 como "Windows 3.1". Cuando no haya necesidad de hacer distinción entre los diferentes programas, se utilizará el término "Windows".
- Microsoft y Windows son marcas registradas de Microsoft Corporation.
- Macintosh es una marca registrada de Apple Computer, Inc.
- Todas las otras marcas comerciales son de propiedad de la compañía respectiva.

Descripción del producto



1. Botón AUTO [LL-171A] Este botón se utiliza para hacer un ajuste automático de la pantalla (CLOCK, PHASE, H-POS y V-POS). (p.123)
- Botón INPUT [LL-171G] Para conmutar entre los bornes de entrada de la señal.
2. Botón MENU Este botón se utiliza para ampliar, seleccionar y cerrar el menú OSD (On Screen Display).
3. Botón ▼ / MODE Cuando el menú OSD se vea en la pantalla:
Este botón se utiliza para seleccionar opciones de menú.
Cuando el menú OSD no se vea en la pantalla:
Este botón se utiliza para seleccionar DISPLAY MODE.
4. Botones ◀▶ Cuando el menú OSD se vea en la pantalla:
Estos botones se utilizan para seleccionar una opción o ajustar el valor la opción seleccionada.
Cuando el menú OSD no se vea en la pantalla:
Estos botones se utilizan para regular la luminosidad de la retroiluminación y el volumen de los altavoces.
5. Altavoces Puede escuchar el audio que entra a través del dispositivo externo conectado al monitor.
6. Borne de auriculares Aquí se pueden conectar unos auriculares (de venta en el comercio).
7. Botón de encendido/apagado .. Si pulsa este botón se enciende el monitor.
Pulse de nuevo el botón para apagar el monitor.
8. LED indicador de conexión Este indicador LED se ilumina de color verde cuando el monitor se encuentra en uso y naranja cuando se encuentra en el modo de ahorro de energía.
9. Interruptor primario
10. Borne de alimentación
11. Borne de audio Aquí se puede conectar un borne de salida de audio de un ordenador. Debe usarse el cable de audio incluido.
12. Borne de entrada DVI-I [LL-171G] El borne de salida RGB digital o el borne de salida RGB analógica del ordenador puede conectarse aquí.
Para una entrada de señal digital: Puede conectarse a un ordenador con un borne de salida compatible con DVI (DVI-D24 vías o DVI-I29 vías), y que tenga capacidad de salida SXGA. En función del ordenador a conectarse, puede o no puede ser posible una correcta visualización.
13. Borne de entrada RGB analógica El cable de señal analógica suministrado se conecta aquí. Debe usarse el cable de señal analógica incluido.
14. Anclaje de seguridad Si conecta un cierre de seguridad (de venta en el comercio) al anclaje de seguridad, el monitor queda enclavado de forma que es imposible transportarlo.
El orificio de seguridad antirrobo actúa junto con los sistemas de seguridad Kensington Micro Saver.
15. Orificios de ventilación No bloquee jamás los orificios de ventilación, ya que ello puede llevar a un calentamiento excesivo del interior del monitor y hacer que funcione de manera anómala.

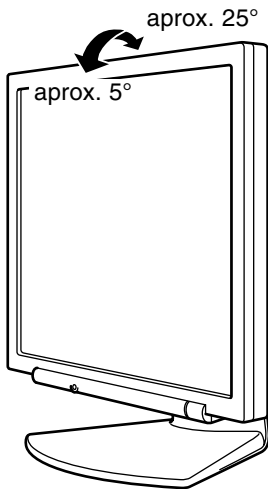
Ajuste de ángulo y ajuste de altura

¡PRECAUCIÓN!

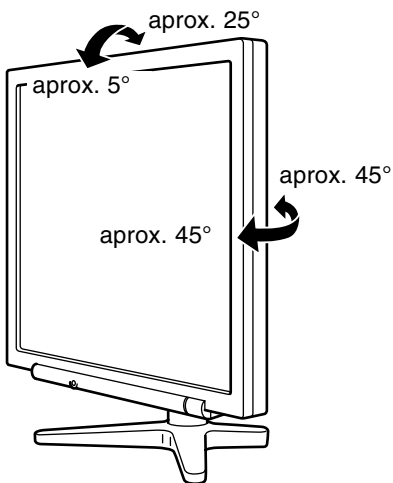
- Asegúrese de sostener ambos lados del monitor al ajustar el ángulo de visión. El panel LCD que se utiliza en este monitor es de vidrio. Si presiona el panel LCD con las manos podría dañarlo.
- Tenga cuidado para que sus dedos no queden atrapados.

Ajuste de ángulo

[LL-171A]

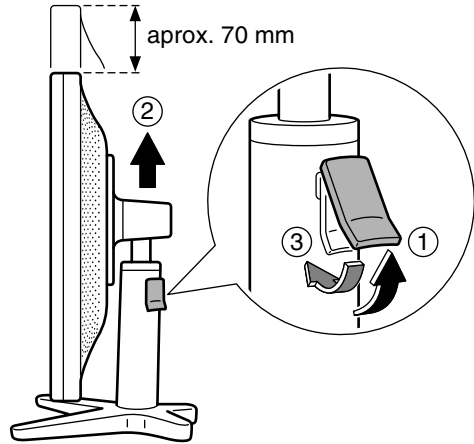


[LL-171G]



Ajuste de altura [LL-171G]

1. Suelte el seguro.
2. Ajuste la altura del pedestal.
3. Fije el seguro.



¡PRECAUCIÓN!

- Asegúrese de soltar el seguro antes de ajustar la altura del pedestal. Si alarga/contrae el pedestal cuando está bloqueado puede dañar el producto.
- Asegúrese que el pedestal está bien fijado excepto cuando ajuste la altura.

Conexión del monitor y encendido/apagado del mismo

¡PRECAUCIÓN!

- Antes de realizar la conexión, asegúrese de que tanto el monitor como el ordenador están apagados.
- Tenga cuidado de no doblar excesivamente el cable ni utilizar cables de prolongación ya que ello podría llevar a un funcionamiento anómalo.

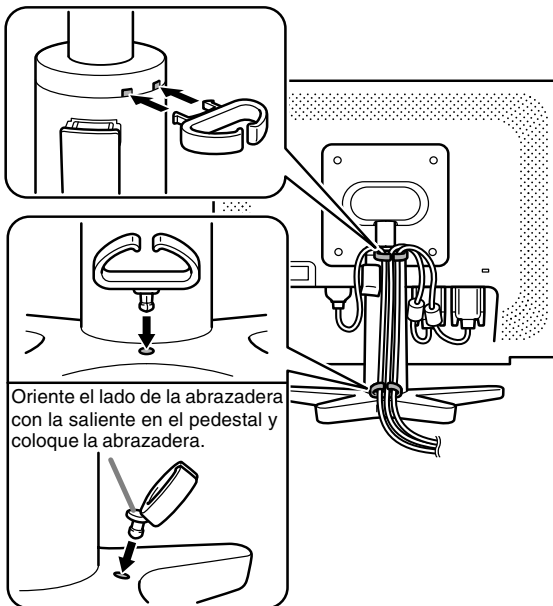
Asegurando los cables [LL-171G]

Utilice las abrazaderas para cables entregadas para asegurar los cables conectados a los bornes.

Las abrazaderas para cables superior e inferior tienen diferentes formas. Verifique las formas de las abrazaderas antes de fijarlas en el pedestal.

¡PRECAUCIÓN!

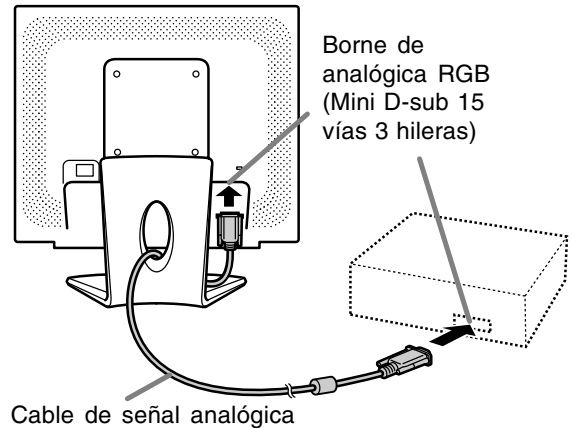
- Al ajustar el ángulo de visión, los cables pueden ser arrancados. Por lo tanto, compruebe que están lo suficientemente flojos.



Conexión del monitor a un ordenador

Conexión analógica [LL-171A]

Conecte el cable de señal analógica accesoria en el borne de salida RGB analógica del ordenador.



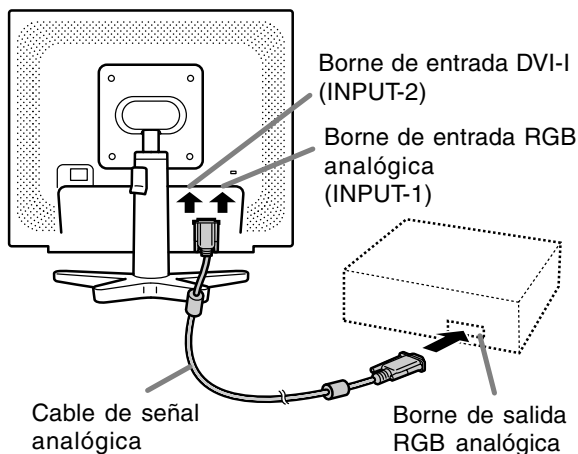
- Tenga cuidado con el sentido del conector e inserte firmemente el cable de señal verticalmente en el conector y apriete los tornillos en ambos lados.

Conexión del monitor y encendido/apagado del mismo

Conexión analógica [LL-171G]

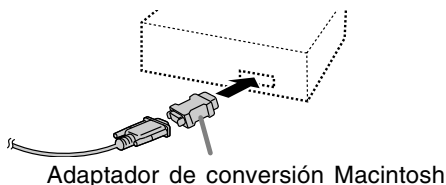
Conecte el cable de señal analógica accesoria o cable de señal analógica vendido separadamente (nombre del modelo: NL-C02E) en el borne de salida RGB analógica del ordenador.

- Conecte el cable de señal analógica accesoria en el borne de entrada RGB analógica (INPUT-1).
- Conecte el cable de señal analógica vendido separadamente (nombre del modelo: NL-C02E) en el borne de entrada DVI-I (INPUT-2).



- Tenga cuidado con el sentido del conector e inserte firmemente el cable de señal verticalmente en el conector y apriete los tornillos en ambos lados.

Si la conexión es a un D-sub de 15 vías en 2 hileras Apple Power Macintosh, acople un adaptador de conversión Macintosh (de venta en el comercio) al cable de señal analógica.



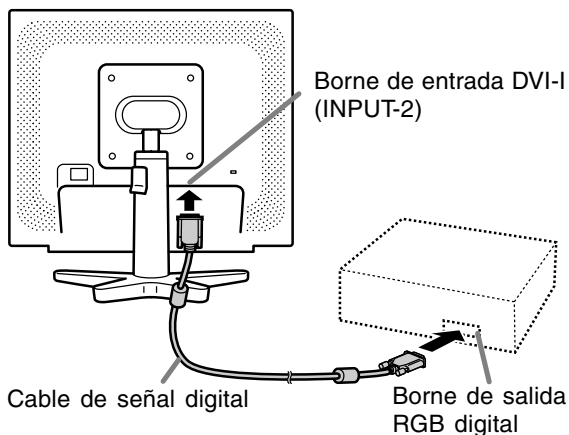
Nota:

- Si la conexión es a la serie Sun Ultra, puede necesitar un adaptador de conversión (de venta en el comercio).

Conexión digital [LL-171G]

Conecte el cable de señal digital accesoria en el borne de salida RGB digital del ordenador.

- El monitor tiene una entrada para conectar a un ordenador con conector de salida compatible con DVI (DVI-D de 24 contactos o DVI-I de 29 contactos) y capacidad de salida SXGA. (Dependiendo del tipo de ordenador que vaya a ser conectado, es posible que la pantalla no funcione correctamente.)



- Tenga cuidado con el sentido del conector e inserte firmemente el cable de señal verticalmente en el conector y apriete los tornillos en ambos lados.

Prepare el monitor como se indica a continuación cuando realice una conexión digital con un Power Mac usando un adaptador ADC-DVI fabricado por Belkin. (La operación ha sido comprobada con el Power Mac G4 M7627J/A.)

- Realice los ajustes con la alimentación del Power Mac desconectada.
1. Después de conectar el cable de alimentación, conmute el interruptor primario del monitor.
 2. Pulse los botones ◀ y ▶ al mismo tiempo y, mientras lo hace, pulse el botón de encendido/apagado (es decir, encienda el monitor).



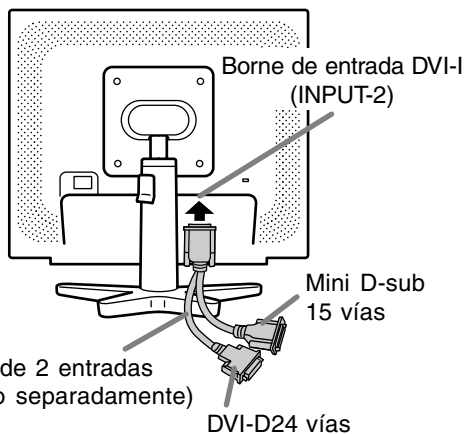
3. Ponga en [ON] con los botones ◀ ▶.
 - No use [ON] si no está usando un adaptador ADC-DVI de Belkin, porque esto puede dar origen a una indicación incorrecta.
 4. Pulse el botón MENU.
- Con esto se completa el ajuste.

Conexión del monitor y encendido/apagado del mismo

Quando haga la conexión utilizando un cable de 2 entradas vendido separadamente [LL-171G]

El cable de 2 entradas vendido separadamente (nombre del modelo: NL-C03J) permite hacer la conexión entre el borne de entrada DVI-I del monitor y los dos ordenadores. (Una conexión analógica y una conexión digital.)

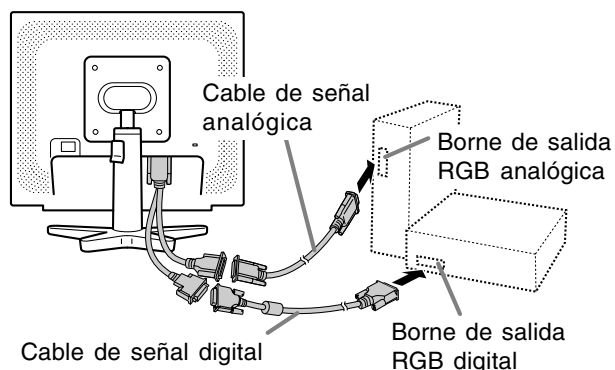
1. Conecte el cable de 2 entradas en el borne de entrada DVI-I del monitor.



2. Conecte el accesorio o cable de señal analógica de venta en el comercio y el cable de señal digital accesorio en el cable de 2 entradas.

- Cuando utilice un cable de señal analógica de venta en el comercio, ambas puntas deben ser mini D-sub 15 vías.

3. Conecte cada cable de señal a los ordenadores.



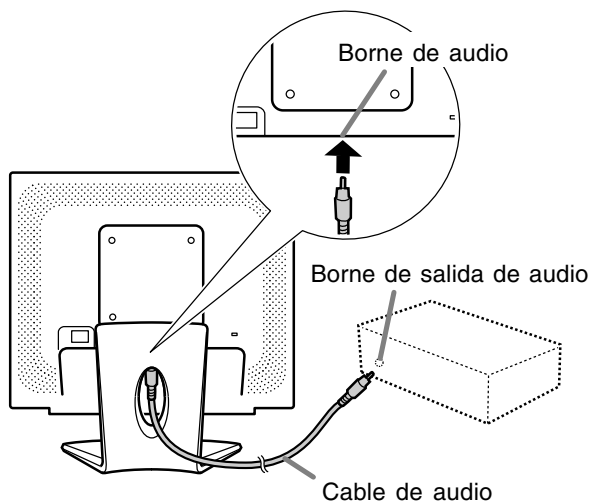
- Prestando atención a la dirección del conector, introduzca aquí firmemente el cable de señal y apriete los tornillos que hay a los lados.

Notas:

- Cuando utilice el cable de 2 entradas, configure la conexión del borne de entrada [INPUT-2] a [2LINES] en el menú MODE SELECT-2. (p.126)
- El monitor conectado al cable de 2 entradas mediante conexión analógica puede que no sea reconocido e instalado automáticamente bajo Plug & Play. Guarde manualmente la información de configuración. (p.132)

Conecte el cable de audio suministrado

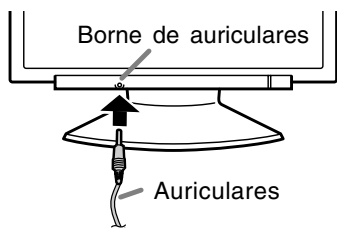
Quando el cable de audio suministrado se conecte al borne de salida de audio del ordenador, el sonido del ordenador conectado saldrá por los altavoces del monitor. También podrá utilizar auriculares conectados a la toma de auriculares de la pantalla.



Conexión del monitor y encendido/apagado del mismo

Conexión de auriculares (de venta en el comercio)

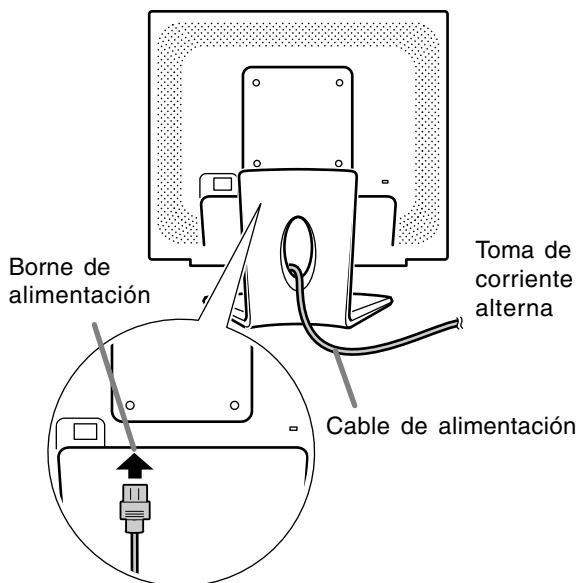
Se pueden conectar auriculares (de venta en el comercio).



Nota:

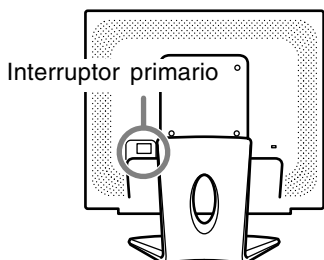
- Cuando están conectados los auriculares, no se oye ningún sonido por los altavoces del monitor.

Conexión del monitor a una toma de corriente



Encendido

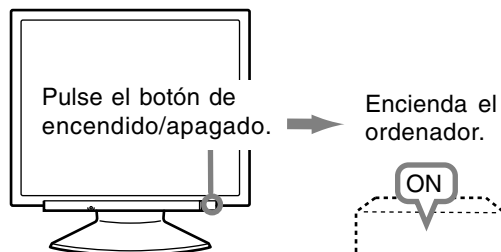
1. Conmute el interruptor primario del monitor.



- Cuando conecte y desconecte la Interruptor primario, espere siempre durante un intervalo de 5 segundos. El cambio rápido puede causar un fallo en el funcionamiento.

2. Pulse el botón de encendido/apagado del monitor.

3. Encienda el ordenador.



Cuando se introduzca una señal procedente del ordenador, el LED indicador de conexión se iluminará de color verde, y se visualizará la pantalla. (Después de conectar la alimentación, puede que la pantalla tarde en visualizarse un poco de tiempo.)

Nota para LL-171G:

- Si no se ha seleccionado el borne de entrada al que está conectado el ordenador, la pantalla no se visualizará. Si es necesario, haga la conmutación del borne de entrada. (p.120)

Notas:

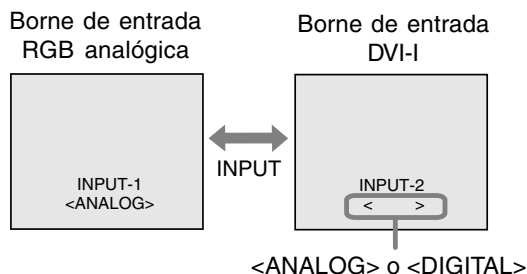
- Cuando utilice una señal analógica, realice un ajuste de pantalla automático bajo las condiciones siguientes (p.123):
- Cuando utilice el monitor por primera vez.
- Después de haber cambiado los ajustes del sistema durante la utilización.
- Cuando utilice el LL-171G con una conexión digital, no es necesario el ajuste de pantalla automático.
- Según sea el tipo de ordenador o de sistema operativo, puede que sea necesario utilizar el ordenador para llevar a cabo la instalación de la información de configuración del monitor. (p.132)
- Si la conexión es a un ordenador portátil y la pantalla del portátil está configurada de modo que funcione al mismo tiempo, puede que la pantalla de MS-DOS no se vea correctamente. En este caso, cambie la configuración de modo que sólo se vea el monitor.

Conexión del monitor y encendido/apagado del mismo

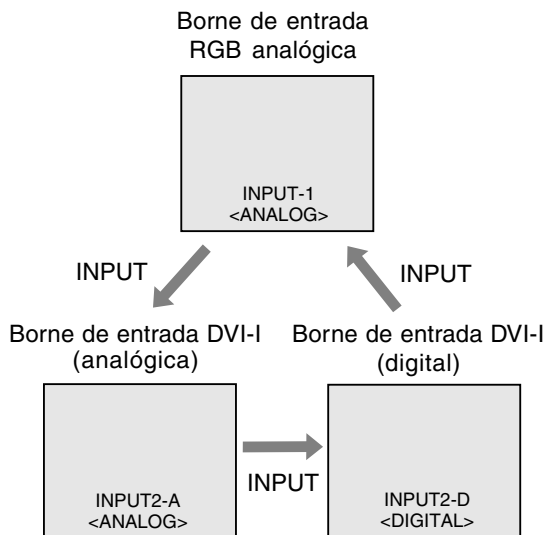
Alternar entre bornes de entrada

[LL-171G]

Utilizar el botón de ENTRADA (INPUT) para conmutar entre bornes de entrada de señal.



Cuando se utiliza un cable de 2 entradas



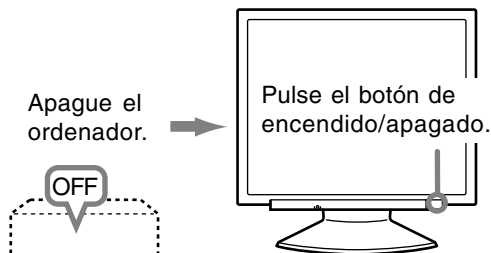
Nota:

- Cuando no hay señal de entrada se visualiza [NO SIGNAL].

Apagado

1. Apague el ordenador.
2. Pulse el botón de encendido/apagado del monitor.

El LED indicador de conexión se apagará.



Si no se va a utilizar el monitor durante mucho tiempo, desconecte la interruptor primario del monitor y desenchufe la clavija de alimentación de la toma de corriente.

Ajuste de la pantalla y volumen del altavoz

Para la señal analógica

1. En primer lugar, lleve a cabo un ajuste automático. (p.123)
2. En caso necesario, realice un ajuste manual. (p.124)

Para la señal digital [LL-171G]

Normalmente no es necesario ajustar el monitor antes de utilizarlo. En caso necesario, realice un ajuste manual. (p.124)

Nota:

- Todos los ajustes quedarán guardados incluso después de apagar.

Reposición de todos los valores de ajuste

Puede reponer todos los valores de ajuste a los valores originales de fábrica con una sola instrucción.

1. Apague el monitor.
2. Pulse los botones MENU y ▼ / MODE al mismo tiempo y, mientras lo hace, pulse el botón de encendido/apagado (es decir, encienda el monitor).
Siga pulsando los botones hasta que aparezca [ALL RESET] en la pantalla. La reposición se completa cuando desaparece el mensaje visualizado.

Notas:

- Mientras se ve [ALL RESET] en la pantalla, los botones de control no funcionan.
- No se pueden reponer los valores cuando la función de bloqueo de ajustes se encuentra activada. Desactive la función de bloqueo de ajustes antes de utilizar los botones de control.

Puesta a cero de menú de AJUSTE (ADJUSTMENT)

Los valores de ajuste del menú AJUSTE (ADJUSTMENT) (CLOCK, PHASE, H-POS, y V-POS) pueden restaurarse a sus valores originales de fábrica.

1. Encienda el monitor.
2. Pulse al mismo tiempo los botones MENU y ◀. Cuando [RESET] aparece en la pantalla significa que la reposición ha finalizado.

Notas:

- Mientras se ve [RESET] en la pantalla, los botones de control no funcionan.
- No se pueden reponer los valores cuando la función de bloqueo de ajustes se encuentra activada. Desactive la función de bloqueo de ajustes antes de utilizar los botones de control.

Función de bloqueo de ajustes

Si deshabilita los botones de control (es decir, activa el bloqueo) no podrá cambiar los valores configurados.

1. Apague el monitor.
2. Pulse al mismo tiempo el botón MENU y el botón de encendido/apagado (es decir, encienda el monitor).
Siga pulsando los botones hasta que aparezca [ADJUSTMENT LOCKED] en la pantalla. El bloqueo se establece cuando se visualiza el mensaje.

Nota:

- Cuando la función de bloqueo se encuentra activada, se deshabilitan todos los botones excepto el de encendido/apagado.

Ajuste de la liberación del bloqueo

1. Apague el monitor.
2. Pulse al mismo tiempo el botón MENU y el botón de encendido/apagado (es decir, encienda el monitor).
Siga pulsando los botones hasta que aparezca [ADJUSTMENT UNLOCKED] en la pantalla. El bloqueo se libera cuando se visualiza el mensaje.

Regulación de la retroiluminación

1. Sin el menú OSD a la vista, pulse el botón ◀ o ▶.
2. Compruebe que esté seleccionado [BRIGHT]. Si no está seleccionado [BRIGHT], pulse el botón ▼ / MODE y selecciónelo.



3. Realice el ajuste pulsando el botón ◀ (más oscuro) o el botón ▶ (más claro).

Nota:

- El menú de Máscara en pantalla (OSD) para realizar el ajuste desaparece pasados unos segundos después de la última instrucción.

Ajuste de la pantalla y volumen del altavoz

Ajuste del volumen del altavoz

1. Sin el menú OSD a la vista, pulse el botón ◀ o ▶.
2. Compruebe que esté seleccionado [VOLUME].
Si no está seleccionado [VOLUME], pulse el botón ▼ / MODE y selecciónelo.



3. Realice el ajuste pulsando el botón ◀ (disminución) o el botón ▶ (aumento).

Nota:

- El menú de Máscara en pantalla (OSD) para realizar el ajuste desaparece pasados unos segundos después de la última instrucción.

Configuración del modo de pantalla

La tonalidad cromática o brillo puede cambiarse con un comando.

STD

La imagen se verá con la tonalidad resultante de la combinación de colores original del panel de cristal líquido.

OFFICE

Baja el brillo de la pantalla. (Este modo ahorra energía.)

sRGB

sRGB es la norma internacional de representación cromática especificada por la IEC (International Electrotechnical Commission (Comisión Electrotécnica Internacional)).

La conversión cromática se hace teniendo en cuenta las características del cristal líquido y representa una tonalidad parecida a la de la imagen original.

VIVID

Muestra una imagen con colores dinámicos y vivos.

- Si el [DISPLAY MODE] está en [sRGB] o [VIVID], [WHITE BALANCE] está en [STD] y [GAMMA] está en [0].

Forma de ajustar

Pulse el botón ▼ / MODE cuando no esté visualizándose el menú OSD.

Cada vez que pulse el botón, aparecerá el elemento siguiente del menú. (STD → OFFICE → sRGB → VIVID → STD)

El menú de Máscara en pantalla (OSD) para realizar el ajuste desaparece pasados unos segundos después de la última instrucción.

Comprobación de la información del producto

Se puede comprobar el nombre del modelo (MODEL), el número de serie (S/N) y tiempo de utilización (USAGE TIME) del monitor.

1. Desconecte la alimentación.
2. Mientras pulsa el botón ▼ / MODE, pulse el botón de encendido/apagado del monitor (es decir, conecte la alimentación). Aparecerá la información del producto.
3. Pulse el botón MENU.

Nota:

- Tenga en cuenta que la indicación del tiempo de utilización en el momento de la compra tal vez no sea 0 (cero) debido a las inspecciones hechas en la fábrica y a otras actividades realizadas durante la fabricación.

Ajuste de la pantalla

Ajuste de pantalla automático (cuando se utiliza una señal analógica)

Las opciones del Menú ADJUSTMENT (RELOJ, FASE, H-POS, V-POS) se pueden ajustar automáticamente.

Notas:

- Al configurar por primera vez el monitor o tras cambiar cualquier aspecto del sistema actual, lleve a cabo un ajuste de pantalla automático antes de su uso.
- El ajuste de pantalla automático no es necesario cuando se utiliza LL-171G con una conexión digital. Haga el ajuste de pantalla manual cuando sea necesario. (p.124)

Máscara en pantalla para el ajuste

En primer lugar aparece una imagen que pone toda la pantalla muy clara.

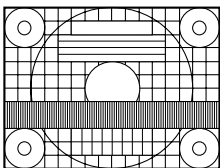
Si está utilizando Windows, puede utilizar el Patrón de ajuste incluido en el CD-ROM.

Apertura del Patrón de ajuste (para Windows)

Los mensajes de Windows mencionados a continuación se refieren la versión inglesa. Esta explicación es para Windows 95/98/Me/2000/XP y en ella se da por supuesto que la unidad de CD-ROM es la "D".

1. Introduzca el CD-ROM suministrado en la unidad de CD-ROM del ordenador.
2. Abra [My Computer] y seleccione CD-ROM. Si está utilizando Windows 3.1, abra [File Manager] y seleccione unidad "D".
3. Haga doble clic en [Adj_uty.exe] para ejecutar el programa de ajuste. En la pantalla aparecerá el Patrón de ajuste.

Patrón de ajuste



Una vez finalizados los ajustes, pulse la tecla [Esc] del ordenador para salir del programa de ajuste.

Nota:

- Si el modo de visualización del ordenador está configurado en 65.000 colores, puede ver los diferentes niveles de color de cada patrón cromático o la escala de grises puede aparecer coloreada. (Esto se debe a la especificación de la señal de entrada y no se trata de una anomalía.)

Ajuste automático de la pantalla

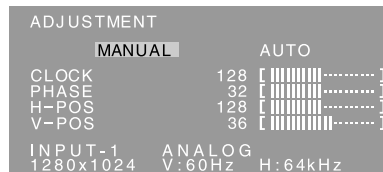
El ajuste automático puede hacerse utilizando el botón AUTO o el botón MENU.

Botón AUTO [LL-171A]

1. Pulse el botón AUTO.
2. Vuelva a pulsar el botón AUTO.
Aparecerá [ADJUSTING] en la pantalla y después de unos segundos, desaparecerá [ADJUSTING].
(Esto completa el ajuste automático.)

Botón MENU

1. Pulse el botón MENU.
Aparecerá el menú ADJUSTMENT.
(Por ejemplo: Pantalla de LL-171G que se mostrará)



2. Pulse el botón ►.
La pantalla se oscurecerá y aparecerá [ADJUSTING]. Tras unos segundos volverá a verse el menú ADJUSTMENT. (El ajuste automático ha finalizado.)
3. Pulse el botón MENU 5 veces para que desaparezca el menú OSD de la pantalla.

Notas:

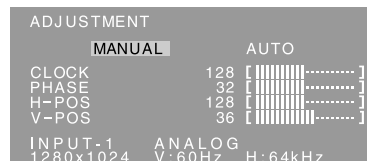
- En la mayoría de los casos, el ajuste automático es suficiente.
- Puede que no sea posible lograr el ajuste correcto con el primer ajuste automático. En tal caso, intente repetir el ajuste automático 2 ó 3 veces.
- Se puede llevar a cabo un ajuste manual tras el ajuste automático, si resultara necesario debido a una de las siguientes circunstancias. (p.124)
 - Cuando sea necesario realizar un ajuste de precisión.
 - Cuando se vea [OUT OF ADJUST] en la pantalla. (Cuando en la pantalla se vea una imagen totalmente oscura, el ajuste automático de la pantalla puede estar deshabilitado. Al realizar un ajuste automático, asegúrese de utilizar bien el Patrón de ajuste o bien intentar que aparezca una imagen que ponga toda la pantalla muy clara.)
 - Cuando las señales de entrada de vídeo del ordenador sean Composite Sync o Sync on Green. (Los ajustes automáticos quizás no puedan realizarse.)
- El ajuste automático puede que no se realice correctamente dependiendo de lo que se visualiza en la pantalla: imágenes en movimiento, indicación MS-DOS, etc.

Ajuste de la pantalla

Ajuste de pantalla manual

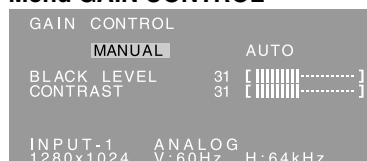
1. En primer lugar aparece una imagen que pone toda la pantalla muy clara. (p.123)
2. Haga que aparezca el menú OSD pulsando el botón MENU.
(Por ejemplo: Pantalla de LL-171G que se mostrará)

Menú ADJUSTMENT



↓ MENU

Menú GAIN CONTROL



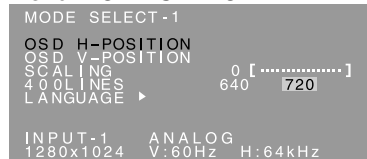
↓ MENU

Menú COLOR CONTROL



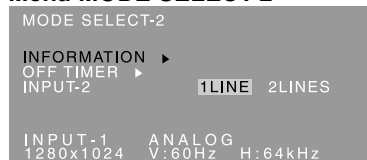
↓ MENU

Menú MODE SELECT-1



↓ MENU

Menú MODE SELECT-2



↓ MENU

Se cierra el menú OSD.

Seleccione la opción pulsando el botón ▼ / MODE.

Seleccione la opción pulsando el botón ▼ / MODE.

Seleccione la opción pulsando el botón ▼ / MODE.

Seleccione la opción pulsando el botón ▼ / MODE.

Seleccione la opción pulsando el botón ▼ / MODE.

Menú ADJUSTMENT

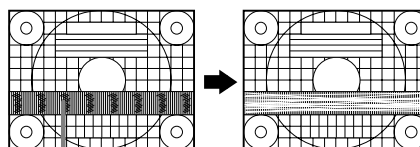
Cuando se utiliza LL-171G con una conexión digital, no es necesario este ajuste de menú.

AUTO

Cuando se selecciona [AUTO] con el botón ►, se ajustan automáticamente las selecciones [CLOCK], [PHASE], [H-POS] y [V-POS].

CLOCK

En la figura siguiente se muestra cómo efectuar el ajuste de forma que no se genere un parpadeo vertical. (botones ◀▶)

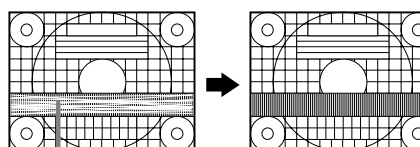


Parpadeo vertical

PHASE

En la figura siguiente se muestra cómo efectuar el ajuste de forma que no se genere un parpadeo horizontal. (botones ◀▶)

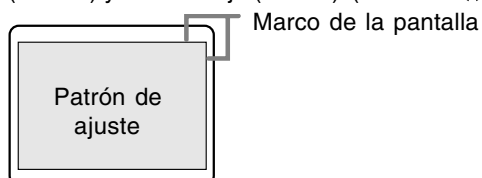
Nota:
- Los ajustes de [PHASE] deberían realizarse sólo después de haber ajustado correctamente [CLOCK].



Parpadeo horizontal

H-POS (posición horizontal) y V-POS (posición vertical)

Para centrar el Patrón de ajuste dentro de los límites de la pantalla, ajuste los valores a izquierda/derecha (H-POS) y arriba abajo (V-POS). (botones ◀▶)



Notas:

- Cuando se utiliza LL-171G con una conexión digital, no son necesarios los ajustes de menú ADJUSTMENT y GAIN CONTROL.
- El menú OSD desaparece automáticamente unos 30 segundos después de la última instrucción.
- En este capítulo se describe cómo ajustar la pantalla utilizando el Patrón de ajuste (para Windows).

Ajuste de la pantalla

Menú GAIN CONTROL

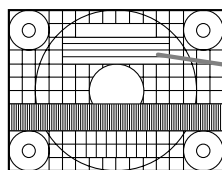
Cuando se utiliza LL-171G con una conexión digital, no es necesario este ajuste de menú.

AUTO

Cuando se selecciona [AUTO] con el botón ►, se ajustan automáticamente las selecciones [BLACK LEVEL] y [CONTRAST]. Después del ajuste automático, haga el ajuste manual cuando sea necesario.

BLACK LEVEL

La luminosidad total de la pantalla puede ajustarse mientras se observa el patrón cromático. (botones ◀▶)



Patrón cromático

CONTRAST

Mientras se observa el patrón cromático pueden realizarse ajustes de modo que aparezcan todas las gradaciones. (botones ◀▶)

Notas:

AUTO (Función Control Automático de Ganancia)

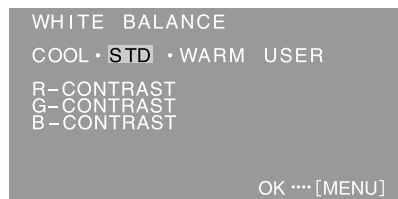
- La función Control Automático de Ganancia ajusta el contraste y el nivel de negro en base al color más claro y más oscuro de la imagen mostrada.
- Si no está utilizando el Patrón de ajuste, necesita ver un sector blanco de 5 x 5 mm en la pantalla. El ajuste no es posible sin este sector.
- Si la señal procedente del ordenador es Composite Sync o Sync on Green, no se podrá realizar un ajuste automático. En tal caso, realice un ajuste manual.
- Si se visualiza [OUT OF ADJUST], realice el ajuste manual.

Menú COLOR CONTROL

WHITE BALANCE

1. Después de seleccionar [WHITE BALANCE], pulse el botón ►.

Aparecerá el menú WHITE BALANCE.



2. Utilice los botones ◀▶ para seleccionar [COOL], [·], [STD], [·], [WARM] o [USER].

COOL ... Tonalidad más azul que la estándar

- Tonalidad ligeramente más azul que la estándar

STD Ajuste de tonalidad cromática estándar

- Tonalidad ligeramente más roja que la estándar

WARM .. Tonalidad más roja que la estándar

USER

- Al seleccionar [USER] (usuario), aparecen los valores programados para [R-CONTRAST], [G-CONTRAST] y [B-CONTRAST], para poder efectuar ajustes de precisión.
- Utilice el botón ▼ / MODE para seleccionar [R-CONTRAST], [G-CONTRAST] y [B-CONTRAST].

R-CONTRAST ◀ botón para azul-verde
▶ botón para rojo

G-CONTRAST ◀ botón para púrpura
▶ botón para verde

B-CONTRAST ◀ botón para amarillo
▶ botón para azul

3. Pulse el botón MENU.

Notas:

- No todas las gradaciones pueden verse en ajustes diferentes a [STD]. Ajuste a [STD] para ver todas las gradaciones.
- Si ajusta [DISPLAY MODE] a [sRGB] o [VIVID], no podrá seleccionar más que el ajuste [STD].

GAMMA

Ajuste para que las imágenes oscuras y brillantes se puedan ver fácilmente. Si la pantalla está oscura y se ve con dificultad, aumente el valor numérico. Si está brillante y difícil de ver, disminuya el valor numérico. (botones ◀▶)

- Si [DISPLAY MODE] está en [sRGB] o [VIVID], no puede seleccionar [GAMMA].

Ajuste de la pantalla

Menú MODE SELECT-1

Nota:

- Según sea la resolución de la señal de entrada, la pantalla puede no cambiar incluso si pueden seleccionarse las opciones del menú.

OSD H-POSITION (posición horizontal OSD)

La posición del menú OSD puede moverse hacia la izquierda y hacia la derecha. (botones ◀▶)

OSD V-POSITION (posición vertical OSD)

La posición del menú OSD puede moverse hacia arriba y abajo. (botones ◀▶)

SCALING (nivel de graduación)

La nitidez de la imagen puede regularse. (botones ◀▶)

Nota:

- Cuando el modo de pantalla se ajusta de modo que sea inferior a 1280 x 1024 píxels, la imagen aumenta ocupando toda la pantalla (es decir, la relación lateral de la pantalla puede cambiar).

400LINES (grado de resolución)

(cuando se utiliza una señal analógica)

Puede programar la resolución horizontal de una pantalla de 400 líneas si utiliza US text, etc. (botones ◀▶)

640: 640 x 400 dot mode

720: 720 x 400 dot mode (US text etc.)

Nota:

- Puesto que la entrada de resolución diferente a la de 400 líneas se realiza automáticamente, no hay necesidad de programarla.

LANGUAGE

Puede seleccionar el idioma del menú OSD.

1. Pulse el botón ▶.

En la pantalla aparecerá el Menú de selección del idioma.

2. Utilice el botón ▼ / MODE para seleccionar un idioma.

3. Pulse el botón MENU.

Menú MODE SELECT-2

INFORMATION (INFORMACIÓN)

Se puede comprobar el nombre de modelo (MODEL), el número de serie (S/N) y tiempo de utilización (USAGE TIME) del monitor.

1. Después de seleccionar [INFORMATION], pulse el botón ▶.

Aparecerá la información del producto.

2. Pulse el botón MENU.

OFF TIMER (TEMPORIZADOR DE APAGADO)

La alimentación se desconecta automáticamente cuando pasa el tiempo establecido.

1. Después de seleccionar [OFF TIMER], pulse el botón ▶.

2. Ponga [ON]/[OFF] pulsando los botones ◀▶.

Si se selecciona [ON], pulse el botón ▼ / MODE y ponga el tiempo de apagado pulsando los botones ◀▶. (Se puede poner un tiempo de entre 1 y 23 horas en intervalos de 1 hora.)

3. Pulse el botón MENU.

- Cuando se seleccione [ON], el tiempo restante se visualizará en la esquina superior derecha de la pantalla durante los últimos 5 minutos antes de desconectarse la alimentación. (El tiempo restante se visualiza durante 5 segundos aproximadamente cada minuto.)
- Si se pulsa el botón de encendido/apagado después de la primera indicación del tiempo remanente pero antes de que se desactive, se ajustará el OFF TIMER a una hora. Para desconectar la alimentación posteriormente, pulse de nuevo el botón de encendido/apagado. (Cuando conecte de nuevo la alimentación, ésta se desconectará otra vez automáticamente al transcurrir el tiempo establecido.)
- Si se enciende el monitor cuando [OFF TIMER] está en [ON], la hora establecida aparecerá en la pantalla durante varios segundos. (Si no hay señal de entrada, se visualizará [NO SIGNAL].)

INPUT-2 [LL-171G]

Ponga [1LINE] cuando conecte cables de señal digital o analógica al borne de entrada DVI-I (INPUT-2) del monitor.

Ponga [2LINES] cuando conecte un cable de 2 entradas. (Botones ◀▶)

- Si las conexiones y los ajustes no son correctos, la pantalla no se mostrará correctamente.

Conservación del monitor

Conservación del monitor

Desenchufe siempre la clavija de la toma de corriente alterna antes de limpiar el monitor.

Caja y sector del panel de control

Utilice un paño suave y seco para limpiar, sin apretar demasiado, la caja y el panel de control. Si estuvieran muy sucios, eche un poco de detergente neutro en un paño suave previamente humedecido, escúrralo bien y proceda a la limpieza.

Sector del panel LCD

Utilice un paño suave y seco para limpiar, sin apretar demasiado, la suciedad y el polvo de la superficie del panel LCD. (Es adecuado un paño tal como gasa o los utilizados para limpiar gafas.)

¡PRECAUCIÓN!

- No utilice jamás disolventes, gasolina, alcohol, limpiacristales, etc., ya que podrían decolorarlo o deformarlo.
- No rasque jamás el monitor con objetos duros ni aplique una presión fuerte sobre el mismo, ya que ello podría dejar señales o resultar en un funcionamiento anómalo.

Almacenamiento

Si no va a utilizar el monitor durante un largo período de tiempo, asegúrese de desenchufar la clavija de alimentación de la toma de corriente alterna.

¡PRECAUCIÓN!

- No deje el monitor en contacto con objetos de caucho o plástico durante períodos prolongados, ya que esto podría decolorarlo o deformarlo.

Solución de problemas

Si cree que el monitor pudiera estar averiado, compruebe los puntos siguientes antes de llevarlo a reparar.

Si después de ello sigue sin funcionar, póngase en contacto con su proveedor o con el servicio autorizado de asistencia técnica de Sharp más cercano.

Los tubos fluorescentes del monitor tienen una vida útil limitada.

- Si la pantalla se oscurece, parpadea persistentemente o no se enciende, el tubo fluorescente ha llegado al fin de su vida útil. Consulte a su proveedor o al servicio autorizado de asistencia técnica de Sharp más cercano.
- Debido a las características de los tubos fluorescentes, la pantalla puede reverberar durante el período inicial de uso. (No se trata de una anomalía.) Si esto ocurriera, intente en primer lugar solucionar el problema apagando y encendiendo el monitor de nuevo.

Si no se ve ninguna imagen en el monitor (el LED indicador de conexión no se enciende).

- ¿Está correctamente conectado el cable de alimentación? (p.119)

Si no se ve ninguna imagen en el monitor (el LED indicador de conexión está encendido).

- ¿Está el ordenador conectado correctamente? (p.116,117,118)
- ¿Está el ordenador encendido?
- Si está utilizando LL-171G, confirme que la borne de entrada de la señal esté correctamente seleccionada.(p.120)
- Si utiliza el LL-171G, confirme que se ajustó correctamente [INPUT-2] en el menú MODE SELECT-2. (p.126)
- ¿Se corresponde la sincronización de la señal del ordenador con las especificaciones del monitor? (p.130)
- ¿Se encuentra el ordenador en el modo de ahorro de energía?

Los botones de control no funcionan.

- ¿Está activado el bloqueo de ajustes? (p.121)

La imagen aparece distorsionada.

- ¿Se corresponde la sincronización de la señal del ordenador con las especificaciones del monitor? (p.130)
- Si está utilizando la señal analógica, haga un ajuste automático de la pantalla. (p.123)
- Si puede cambiar la frecuencia de regeneración en el ordenador que está utilizando, cambie el valor a una frecuencia más baja. (p.130)

No sale ningún sonido de los altavoces.

- ¿Está conectado correctamente el cable de audio? (p.118)
- Lleve a cabo el procedimiento de ajuste del volumen. (p.122)
- ¿Están conectados los auriculares?
- No hay sonido de los altavoces cuando el monitor está en el modo de ahorro de energía (el LED indicador de conexión se enciende en naranja).

Especificaciones

Especificaciones del producto

Nombre del modelo

LL-171A-W (Blanco)/LL-171A-B (Negro)
LL-171G-W (Blanco)/LL-171G-B (Negro)

Display LCD

43 cm medidos en diagonal Módulo TFT LCD

Resolución (máx.)

SXGA 1280 x 1024 pixels

Colores reproducibles (máx.)

Aprox. 16,19 millones de colores (6 bit + FRC)

Luminosidad (máx.)

250 cd/m²

Retícula

0,264 (H) x 0,264 (V) mm

Relación de contraste

430:1

Ángulo de visibilidad

Izquierda-derecha 170°; arriba-abajo 150°
(relación de contraste > 5)

Tamaño de pantalla

Horizontal 337,9 mm x Vertical 270,3mm

Señal vídeo

[LL-171A] Analógica RGB (0,7 Vp-p) [75Ω]
[LL-171G] Analógica: Analógica RGB (0,7 Vp-p) [75Ω]
Digital: Estándar DVI basado en 1.0

Señales de sincronización

Separate Sync (nivel TTL: +/-), Sync on
Green, Composite Sync (nivel TTL: +/-)

Compensación de la ampliación

Graduación digital (Amplía VGA/SVGA/XGA, etc.
a tamaño de pantalla completo.)

Plug & Play

VESA: DDC2B compatible

Gestión de energía

[LL-171A] VESA: basada en DPMS
[LL-171G] VESA: basada en DPMS
DVI: basada en DMPM

Salida de altavoces

1 W + 1 W

Borne de señales de entrada

[LL-171A] Mini D-sub de 15 vías (3 hileras)
[LL-171G] Analógica: Mini D-sub de 15 vías (3 hileras)
Digital/Analógica: DVI-I de 29 vías

Borne de audio de entrada

Clavija estéreo mini

Borne de auriculares

Clavija estéreo mini

Ajuste de altura [LL-171G]

Margen de ajuste: aprox. 70 mm

Inclinación de pantalla

Hacia arriba aprox. 0 - 25°
Hacia abajo aprox. 0 - 5°

Giro de pantalla [LL-171G]

Aprox. 45° del centro a la izquierda y aprox. 45°
del centro a la derecha.

Suministro eléctrico

CA100 - 240 V, 50/60 Hz

Temperatura ambiental

5 - 35°C

Consumo eléctrico

30 W (Sin entrada de audio)
(35 W máximo, 1 W en el modo de ahorro de
energía)

Dimensiones (An. x F x Al.)

[LL-171A]
Aprox. 374 mm x 205 mm x 374 mm
[LL-171G]
Aprox. 374 mm x 236 mm x 368 - 438 mm

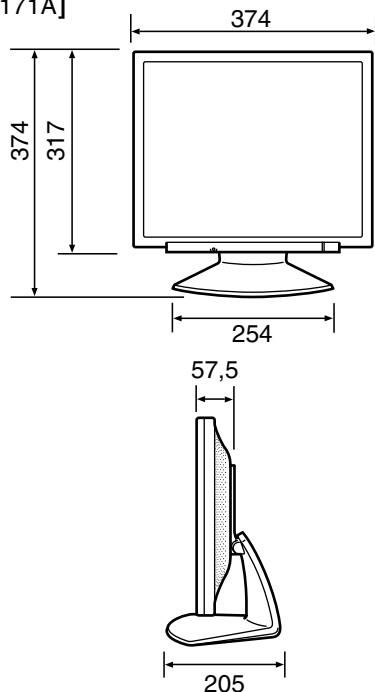
Peso

[LL-171A]
Aprox. 6,0 kg (4,2 kg aprox. sin el pedestal)
(Excluyendo los cables.)
[LL-171G]
Aprox. 5,6 kg (4,2 kg aprox. sin el pedestal)
(Excluyendo los cables.)

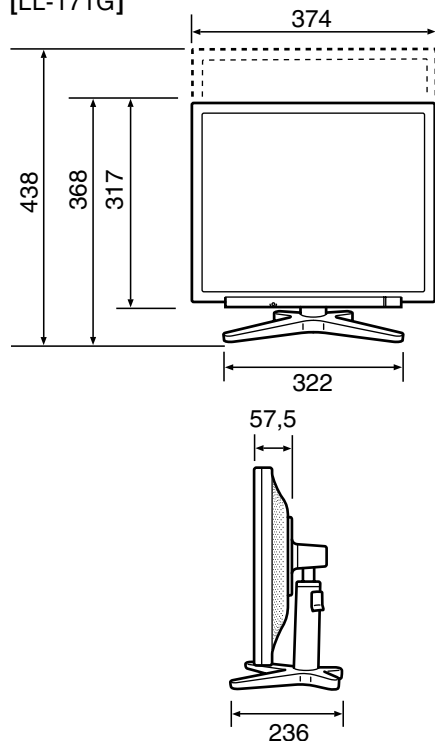
Especificaciones

Dimensiones (Unidades: mm)

[LL-171A]



[LL-171G]



- Cable de señal analógica: aprox. 1,8 m
- Cable de audio: aprox. 1,8 m

[LL-171G]

- Cable de señal digital: aprox. 1,8 m
- Cable de señal analógica, NL-C02E (que debe adquirir aparte): aprox. 2,0 m
- Cable de 2 entradas, NL-C03J (que debe adquirir aparte): aprox. 0,25 m

Nota:

- Como parte de la política de mejoras continuas, SHARP se reserva el derecho de realizar cambios en el diseño y especificaciones para la mejora del producto sin previo aviso. Las figuras indicadas que especifican el rendimiento son valores nominales de los aparatos de producción. Puede haber algunas desviaciones de estos valores en los aparatos individuales.

Especificaciones

Sincronizaciones de las señales correspondientes (analógica)

Modo display		Hsync	Vsync	Frecuencia
VESA	640x480	31,5kHz	60Hz	25,175MHz
		37,9kHz	72Hz	31,5MHz
		37,5kHz	75Hz	31,5MHz
	800x600	35,1kHz	56Hz	36,0MHz
		37,9kHz	60Hz	40,0MHz
		48,1kHz	72Hz	50,0MHz
		46,9kHz	75Hz	49,5MHz
	1024x768	48,4kHz	60Hz	65,0MHz
		56,5kHz	70Hz	75,0MHz
		60,0kHz	75Hz	78,75MHz
	1152x864	67,5kHz	75Hz	108,0MHz
	1280x960	60,0kHz	60Hz	108,0MHz
	1280x1024	64,0kHz	60Hz	108,0MHz
		80,0kHz	75Hz	135,0MHz
US text	720x400	31,5kHz	70Hz	28,3MHz
Series Power Macintosh	640x480	35,0kHz	66,7Hz	30,2MHz
	832x624	49,7kHz	74,6Hz	57,3MHz
	1024x768	60,2kHz	75Hz	80,0MHz
	1152x870	68,7kHz	75Hz	100,0MHz
	1280x1024	64,0kHz	60Hz	108,0MHz
80,0kHz		75Hz	135,0MHz	
Series Sun Ultra	1024x768	48,3kHz	60Hz	64,13MHz
		53,6kHz	66Hz	70,4MHz
		56,6kHz	70Hz	74,25MHz
	1152x900	61,8kHz	66Hz	94,88MHz
		71,8kHz	76,2Hz	108,23MHz
	1280x1024	71,7kHz	67,2Hz	117,01MHz
		81,1kHz	76Hz	134,99MHz

- La resolución recomendada es de 1280 x 1024.
- Todos son compatibles únicamente con «non-interlace».
- Las frecuencias para las series Power Macintosh y Sun Ultra son sólo valores de referencia. Para establecer la conexión puede que sea necesario otro adaptador (de venta en el comercio).
- Si el monitor recibe señales de sincronización que no son compatibles, aparecerá [OUT OF TIMING]. Consulte el manual de instrucciones de su ordenador para ajustar la sincronización de forma compatible con el monitor.
- Si el monitor no recibe ninguna señal (synch signal), aparecerá [NO SIGNAL].

Sincronizaciones de las señales correspondientes (digital) [LL-171G]

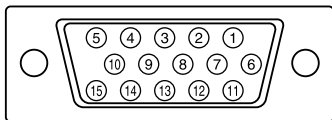
Modo display		Hsync	Vsync	Frecuencia
VESA	640x480	31,5kHz	60Hz	25,175MHz
		37,9kHz	72Hz	31,5MHz
		37,5kHz	75Hz	31,5MHz
	800x600	37,9kHz	60Hz	40,0MHz
		48,1kHz	72Hz	50,0MHz
		46,9kHz	75Hz	49,5MHz
		48,4kHz	60Hz	65,0MHz
	1024x768	56,5kHz	70Hz	75,0MHz
		60,0kHz	75Hz	78,75MHz
		60,0kHz	75Hz	78,75MHz
	1152x864	67,5kHz	75Hz	108,0MHz
1280x960	60,0kHz	60Hz	108,0MHz	
1280x1024	64,0kHz	60Hz	108,0MHz	
US text	720x400	31,5kHz	70Hz	28,3MHz

- La resolución recomendada es de 1280 x 1024.
- Todos son compatibles únicamente con «non-interlace».
- Aquí se puede conectar un ordenador con un borne de salida DVI (DVI-D24 vías o DVI-I29 vías) y con una capacidad de salida SXGA. (El que la pantalla funcione correctamente depende del tipo de ordenador a conectar.)
- Si el monitor recibe señales de sincronización que no son compatibles, aparecerá [OUT OF TIMING]. Consulte el manual de instrucciones de su ordenador para ajustar la sincronización de forma compatible con el monitor.
- Si el monitor no recibe ninguna señal (synch signal), aparecerá [NO SIGNAL].

Especificaciones

Vías del conector de entrada RGB analógica

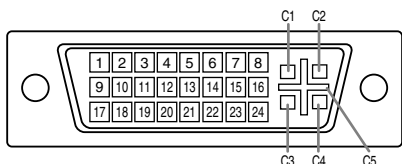
(Conector Mini D-sub de 15 vías)



Nº	Función
1	Señal de entrada vídeo rojo
2	Señal de entrada vídeo verde
3	Señal de entrada vídeo azul
4	GND
5	GND
6	GND para señal de vídeo rojo
7	GND para señal de vídeo verde
8	GND para señal de vídeo azul
9	+5V
10	GND
11	GND
12	Datos DDC
13	Para entrada de señal Hsync
14	Para entrada de señal Vsync
15	Reloj DDC

Vías del conector de entrada DVI-I [LL-171G]

(Conector DVI-I de 29 vías)



Nº	Función	Nº	Función
1	Datos TMDS 2-	16	Detección de clavija en caliente
2	Datos TMDS 2+	17	Datos TMDS 0-
3	Protector 2/4 de datos TMDS	18	Datos TMDS 0+
4	N.C.	19	Protector 0/5 de datos TMDS
5	N.C.	20	N.C.
6	Reloj DDC	21	N.C.
7	Datos DDC	22	Protector de reloj TMDS
8	Señal analógica sincronizada verticalmente	23	Reloj TMDS +
9	Datos TMDS 1-	24	Reloj TMDS -
10	Datos TMDS 1+	C1	Señal analógica de imagen roja
11	Protector 1/3 de datos TMDS	C2	Señal analógica de imagen verde
12	N.C.	C3	Señal analógica de imagen azul
13	N.C.	C4	Señal analógica sincronizada horizontalmente
14	+5V	C5	GND analógica
15	GND (masa)		

Gestión de energía

LL-171A está basado en VESA DPMS. LL-171G está basado tanto en VESA DPMS como en DVI DMPM. Para activar la función de administrador de electricidad, la placa de video y el ordenador utilizado con ésta deben ajustarse a estos estándares.

DPMS: Display Power Management Signalling (Sistema de administración de energía del monitor)

Modo DPMS	Pantalla	Consumo de corriente	H-sync	V-sync
ON	Encendida	35 W	Sí	Sí
STANDBY	Apagada	1 W	No	Sí
SUSPEND			Sí	No
OFF			No	No

DMPM: Digital Monitor Power Management (Gestión de energía del monitor digital) [LL-171G]

Modo DMPM	Pantalla	Consumo de corriente
ON	Encendida	35 W
OFF	Apagada	1 W

DDC (Plug & Play)

Este monitor soporta el estándar VESA DDC (Display Data Channel). DDC es un estándar de señalización para la ejecución de las funciones Plug & Play en el monitor u ordenador. Transmite información tal como el grado de resolución entre el monitor y el ordenador. Puede utilizar esta función si su ordenador tiene compatibilidad DDC y si está configurado de modo que pueda detectar el monitor Plug & Play.

Existen numerosas variedades de DDC debido a las diferencias entre los sistemas. El presente monitor opera con DDC2B.

Instalación de la información de configuración y del perfil ICC (Para Windows)

Según sea el tipo de ordenador o de sistema operativo, puede que sea necesario utilizar el ordenador para llevar a cabo la instalación de la información de configuración del monitor, etc. Si así fuera, siga los pasos que se indican a continuación para instalar la información de configuración del monitor. (Dependiendo del tipo de ordenador o de sistema operativo, los nombres de los comandos y los procedimientos a seguir podrían ser diferentes. Siga el manual de uso propio del ordenador mientras lee esto.)

Acerca del perfil ICC

Un perfil ICC (Consortio Internacional de Color) es un archivo en el que se describen las características de reproducción cromática del monitor LCD. El uso de una aplicación compatible con un perfil ICC permite obtener una reproducción cromática muy precisa.

- Tanto Windows 98/2000/Me/XP utilizan el perfil ICC.
- Al instalar la información de configuración de Windows 98/2000/Me/XP (descrita a continuación), se instala también el perfil ICC. Si únicamente desea instalar el perfil ICC consulte el apartado **Instalación del perfil ICC** en la página 134.
- Cuando se utilice el perfil ICC, ajuste de la forma siguiente:
 - [DISPLAY MODE]: [STD] o [OFFICE]
 - [WHITE BALANCE]: [STD]
 - [GAMMA]: [0]

Para Windows 95

Instalación de la información de configuración del monitor en Windows 95. Los mensajes de Windows mencionados en la siguiente nota de servicio se basan en la versión inglesa. En la explicación se da por supuesto que la unidad de CD-ROM es la "D".

1. Introduzca el CD-ROM suministrado en la unidad de CD-ROM del ordenador.
2. Haga clic sobre el botón [Start]. En [Settings], seleccione [Control Panel].
3. Haga doble clic en [Display].
4. Haga clic sobre [Settings], [Advanced Properties], [Monitor] y por último sobre [Change].
5. Haga clic en [Have disk], confirme que [Copy manufacturer's files from:] es [D:] y a continuación haga clic sobre [OK].
6. Confirme que los datos sobre el monitor están seleccionados y haga clic sobre [OK].

7. Compruebe que el monitor está funcionando y a continuación haga clic en [Apply].
8. Haga clic sobre [OK] y cierre la ventana.

Para Windows 98

Instalación de la información de configuración del monitor en Windows 98 y configuración del perfil ICC del monitor como valor predeterminado. Los mensajes de Windows mencionados a continuación se refieren a la versión inglesa. En la explicación se da por supuesto que la unidad de CD-ROM es la "D".

Si ya ha aparecido el "Add New Hardware Wizard":

1. Introduzca el CD-ROM suministrado en la unidad de CD-ROM del ordenador.
2. Haga clic sobre [Next].
3. Coloque una tilde en [Display a list of all the drivers in a specific location, so you can select the driver you want.] y a continuación haga clic sobre [Next].
4. Cuando aparezca [Models], haga clic en [Have disk], confirme que [Copy manufacturer's files from:] es [D:] y haga clic sobre [OK].
5. Confirme que los datos sobre el monitor están seleccionados y a continuación haga clic sobre [Next], [Next] y [Finish]. Si aparece el "Add New Hardware Wizard", repita los comandos de instalación empezando por el paso 2 antes descrito.

Si el "Add New Hardware Wizard" no apareció:

1. Introduzca el CD-ROM suministrado en la unidad de CD-ROM del ordenador.
2. Haga clic sobre el botón [Start]. En [Settings], seleccione [Control Panel].
3. Haga doble clic en [Display].
4. Haga clic en [Settings], [Advanced] y [Monitor].
5. En [Options], seleccione [Automatically detect Plug & Play monitors] y haga clic sobre [Change].
6. Haga clic sobre [Next].
7. Haga clic en [Display a list of all the drivers in a specific location, so you can select the driver you want.] y a continuación sobre [Next].
8. Cuando aparezca [Models], haga clic en [Have disk], confirme que [Copy manufacturer's files from:] es [D:] y haga clic sobre [OK].
9. Confirme que los datos sobre el monitor están seleccionados y a continuación haga clic sobre [Next], [Next] y [Finish].
10. Compruebe que el monitor está funcionando y a continuación haga clic en [Apply].
11. Haga clic sobre [OK] y cierre la ventana.

Instalación de la información de configuración y del perfil ICC (Para Windows)

Para Windows 2000

Instalación de la información de configuración del monitor en Windows 2000 y configuración del perfil ICC del monitor como valor predeterminado. Los mensajes de Windows mencionados a continuación se refieren a la versión inglesa. En la explicación se da por supuesto que la unidad de CD-ROM es la "D".

1. Introduzca el CD-ROM suministrado en la unidad de CD-ROM del ordenador.
2. Haga clic sobre el botón [Start]. En [Settings], seleccione [Control Panel].
3. Haga doble clic en [Display].
4. Haga clic en [Settings], [Advanced] y [Monitor].
5. Haga clic sobre [Properties], [Driver] y [Update Driver].
6. Cuando aparezca el Asistente [Upgrade Device Driver Wizard], haga clic sobre [Next].
7. Coloque una tilde en [Display a list of the known drivers for this device so that I can choose a specific driver] y haga clic sobre [Next].
8. Cuando aparezca [Models], haga clic en [Have disk], confirme que [Copy manufacturer's files from:] es [D:] y haga clic sobre [OK].
9. Seleccione el monitor en la lista que aparece y haga clic en [Next].
10. Haga clic sobre [Next], asegúrese de que el nombre del monitor aparece en la pantalla y haga clic en [Finish]. Si aparece [The Digital Signature Not Found], haga clic en [Yes].
11. Haga clic sobre [Close].
12. Haga clic sobre [OK] y cierre la ventana.

Para Windows Me

Instalación de la información de configuración del monitor en Windows Me y configuración del perfil ICC del monitor como valor predeterminado. Los mensajes de Windows mencionados a continuación se refieren a la versión inglesa. En la explicación se da por supuesto que la unidad de CD-ROM es la "D".

Si ya ha aparecido "Add New Hardware Wizard":

1. Introduzca el CD-ROM suministrado en la unidad de CD-ROM del ordenador.
2. Coloque una tilde en [Specify the location of the driver [Advanced]] y haga clic sobre [Next].
3. Coloque una tilde en [Display a list of all the drivers in a specific location, so you can select the driver you want.] y a continuación haga clic sobre [Next].
4. Cuando aparezca [Models], haga clic en [Have disk], confirme que [Copy manufacturer's files from:] es [D:] y haga clic sobre [OK].
5. Seleccione en la lista los datos del monitor y a continuación haga clic sobre [Next], [Next] y [Finish]. Si aparece el "Add New Hardware Wizard", repita los comandos de instalación empezando por el paso 2 antes descrito.

Si el "Add New Hardware Wizard" no apareció:

1. Introduzca el CD-ROM suministrado en la unidad de CD-ROM del ordenador.
2. Haga clic sobre el botón [Start]. En [Settings], seleccione [Control Panel].
3. Haga doble clic en [Display].
4. Haga clic en [Settings], [Advanced] y [Monitor].
5. En [Options], seleccione [Automatically detect Plug & Play monitors] y haga clic sobre [Change].
6. Coloque una tilde en [Specify the location of the driver [Advanced]] y haga clic sobre [Next].
7. Coloque una tilde en [Display a list of all the drivers in a specific location, so you can select the driver you want.] y haga clic sobre [Next].
8. Cuando aparezca [Models], haga clic en [Have disk], confirme que [Copy manufacturer's files from:] es [D:] y haga clic sobre [OK].
9. Seleccione los datos del monitor y a continuación haga clic sobre [Next], [Next] y [Finish].
10. Compruebe que los datos del monitor aparecen en la pantalla y a continuación haga clic en [Apply].
11. Haga clic sobre [OK] y cierre la ventana.

Instalación de la información de configuración y del perfil ICC (Para Windows)

Para Windows XP

Instalación de la información de configuración del monitor en Windows XP y configuración del perfil ICC del monitor como valor predeterminado. Los mensajes de Windows mencionados a continuación se refieren a la versión inglesa. En la explicación se da por supuesto que la unidad de CD-ROM es la "D".

1. Introduzca el CD-ROM suministrado en la unidad de CD-ROM del ordenador.
2. Haga clic sobre el botón [Start]. Seleccione [Control Panel].
3. Cambie a "Classic View".
4. Haga doble clic en [Display].
5. Haga clic en [Settings], [Advanced] y [Monitor].
6. Haga clic sobre [Properties], [Driver] y [Update Driver].
7. Cuando aparezca el Asistente [Hardware Update Wizard], compruebe [Install from a list or specific location [Advanced]], haga clic sobre [Next].
8. Coloque una tilde en [Don't search. I will choose the driver to install.] y haga clic sobre [Next].
9. Haga clic en [Have disk], confirme que [Copy manufacturer's files from:] es [D:] y haga clic sobre [OK].
10. Seleccione el monitor en la lista que aparece y haga clic en [Next].
Si aparece [has not passed Windows Logo testing...], haga clic en [Continue Anyway].
11. Asegúrese de que el nombre del monitor aparece en la pantalla y haga clic en [Finish].
12. Haga clic sobre [Close].
13. Haga clic sobre [OK] y cierre la ventana.

Instalación del perfil ICC

Instalación del perfil ICC del monitor. (Si ya ha instalado la información de configuración, se habrá instalado también el perfil por lo que no hace falta que lo vuelva a instalar.)

Los mensajes de Windows mencionados a continuación se refieren a la versión inglesa. En la explicación se da por supuesto que la unidad de CD-ROM es la "D".

1. Introduzca el CD-ROM suministrado en la unidad de CD-ROM del ordenador.
 2. Haga clic sobre el botón [Start]. En [Settings], seleccione [Control Panel].
 3. Haga doble clic en [Display].
 4. Haga clic en [Settings] y [Advanced].
 5. Haga clic sobre [General], en [Compatibility] seleccione [Apply the new display setting without restarting] y a continuación haga clic en [Color Management].
 6. Haga clic sobre [Add] y seleccione CD-ROM para indicar la ubicación de los archivos.
 7. Seleccione el perfil color que desea instalar y haga clic sobre [Add].
 8. Seleccione el perfil y haga clic en [Set As Default].
 9. Haga clic sobre [OK] y cierre la ventana.
- Cuando se utilice el perfil ICC, ajuste de la forma siguiente:
- [DISPLAY MODE]: [STD] o [OFFICE]
 - [WHITE BALANCE]: [STD]
 - [GAMMA]: [0]

Información acerca del perfil ColorSync (Para MacOS)

Acerca del perfil ColorSync

ColorSync es el sistema de gestión del color de Apple Computer y permite obtener características de reproducción cromática cuando se utiliza con una aplicación compatible. Un perfil ColorSync describe las características cromáticas del monitor LCD.

Notas:

- El perfil ColorSync de este monitor funciona con MacOS 8.5 o superior.
- Cuando se utilice el perfil ColorSync, ajuste de la forma siguiente:
 - [DISPLAY MODE]: [STD] o [OFFICE]
 - [WHITE BALANCE]: [STD]
 - [GAMMA]: [0]

Configuración del perfil ColorSync

Notas:

- Debe tener **PC Exchange** o **File Exchange** instalado en su sistema.
 - Dependiendo del tipo de ordenador o de sistema operativo, los nombres de los comandos y los procedimientos a seguir podrían ser diferentes. Siga el manual de uso propio del ordenador mientras lee esto.
1. Introduzca el CD-ROM suministrado en la unidad de CD-ROM del ordenador.
 2. Copie el perfil a utilizarse desde un CD-ROM a la carpeta de perfil ColorSync en la carpeta de sistema.
 3. En el panel de control seleccione ColorSync y elija el perfil a utilizar.

Instrucciones para acoplar un brazo de compatibilidad VESA

Puede acoplar al monitor un brazo o una base (de venta en el comercio) conforme al estándar VESA. La adquisición del brazo o el pedestal queda a discreción del cliente.

Brazos o bases aptos para el uso

Los accesorios deben cumplir los siguientes requisitos:

- Deben ser compatibles con el estándar VESA.
- Deben tener una separación mínima de 100 mm x 100 mm entre los orificios para los tornillos en la sección a acoplar.
- No deben caerse ni romperse una vez acoplados al monitor.

Cómo acoplar el brazo o el pedestal

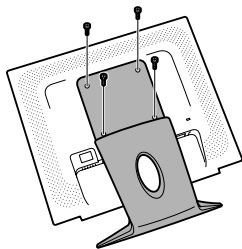
- Tenga cuidado de no doblar excesivamente el cable ni utilizar cables de prolongación ya que ello podría llevar a un funcionamiento anómalo.
- Al mismo tiempo que sigue estas instrucciones, consulte también las instrucciones de instalación en el manual de uso suministrado con el brazo o el pedestal.

¡PRECAUCIÓN!

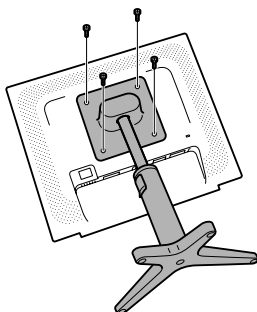
- Tenga cuidado de no atrapar sus dedos entre la pantalla y el pedestal ni deje caer el pedestal. Puede herirse.

1. Retire los cables.
2. Extienda un paño suave sobre una superficie horizontal apropiada.
3. Con mucho cuidado de no dañar el monitor, deposítelo suavemente sobre el paño con la parte de la pantalla mirando hacia abajo.
 - Para LL-171G, alargue el pedestal lo más que sea posible y fíjelo antes de mover el monitor a su posición. (p.115)
4. Retire los cuatro tornillos y desmonte el pedestal del monitor.

[LL-171A]



[LL-171G]



Notas:

- El pedestal se ha diseñado específicamente para este monitor, no la use con ningún otro equipo ni para otro fin.
- Le recomendamos que guarde los cuatro tornillos junto con el pedestal que ha retirado para que volver a utilizar el pedestal fijando los cuatro tornillos correctos. Si utiliza otro tipo de tornillos, puede dañar la parte interior del monitor.



Precaución:

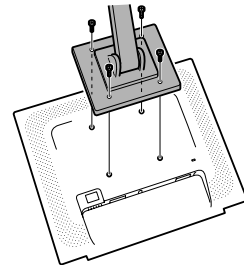
No desarme el pedestal. Hay piezas que podrían salir despedidas y causar lesiones.



Precaución:

Guarde el pedestal del LL-171G a su posición más alargada. Cuando se guarda el pedestal en su posición contraída, el seguro puede soltarse accidentalmente y el pedestal puede alargarse abruptamente provocando heridas.

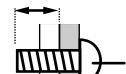
5. Acople el brazo al monitor apretando los cuatro tornillos.



Nota:

- Los tornillos utilizados para acoplar el brazo deberían de ser del tamaño M4 con un saliente de 4 - 5 mm desde el plano sobre el que debe acoplarse. El uso de diferentes tornillos puede provocar la caída del monitor o causar daños en la parte interior.

4 - 5 mm



Tornillo utilizado para fijar el brazo

Brazo

Parte del monitor a la que se fija el brazo

Memo

Memo

A large, empty rectangular box with rounded corners, intended for writing a memo. The box is defined by a thin black border and occupies most of the page area below the title.

SHARP[®]
SHARP CORPORATION

Printed in China
Gedruckt in China
Imprimé en Chine
Stampato in Cina
Impreso en China
0NW170184302A (1)

Free Manuals Download Website

<http://myh66.com>

<http://usermanuals.us>

<http://www.somanuals.com>

<http://www.4manuals.cc>

<http://www.manual-lib.com>

<http://www.404manual.com>

<http://www.luxmanual.com>

<http://aubethermostatmanual.com>

Golf course search by state

<http://golfingnear.com>

Email search by domain

<http://emailbydomain.com>

Auto manuals search

<http://auto.somanuals.com>

TV manuals search

<http://tv.somanuals.com>