

SHARP®



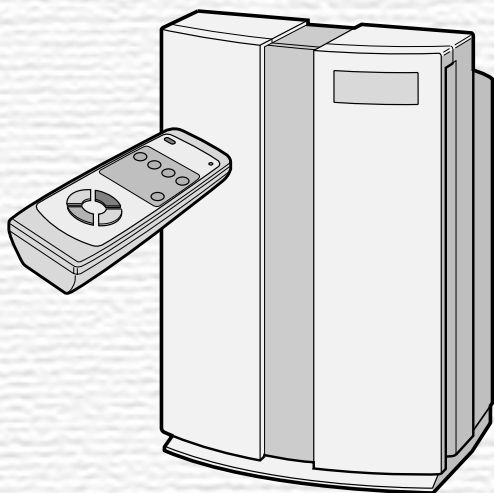
FP-N60CX

**AIR PURIFIER
OPERATION MANUAL**

**PURIFICATEUR D'AIR
MANUEL D'UTILISATION**

ENGLISH

FRANÇAIS



**Floor / Tabletop type
Type mobile**

*Plasmacluster is a trademark of Sharp Corporation.

*Plasmacluster est une marque de commeree de Sharp Corporation.

FEATURES

Plasmacluster Ion Control

The unit controls the ratio of negative ions and positive ions depending on the condition of the room.

• Clean Mode

Approximately the same numbers of positive and negative ions are discharged.

• Ion Control Mode

Plenty of negative ions exist in natural surroundings such as waterfalls or forests. In this mode, negative ions will be released in an increased rate, in order to bring the room air close to this natural environment.

• AUTO Plasmacluster Ion Mode

The unit will switch between Clean Mode and Ion Control Mode automatically depending on the amount of impurities in the air detected by the dust and odor sensor.

• Filters

1) Pre-Filter

It collects large particles.

2) Washable Active Carbon Filter

Its deodorizing performance can be maintained by washing.

3) True HEPA (High Efficiency Particulate Air) Filter with anti-bacterial Apatite Filter

High-efficiency particle collection including pollen and dust.

FILTER MAINTENANCE

Some odor ingredients absorbed by the filters may become separated and may be discharged through the air outlet and result in additional odor.

Depending on the usage environment, the air outlet odor may become strong after several months.

In this case, clean the Washable Active Carbon Filter. (Refer to E-16)

If this odor persists, this is because the odor components absorbed by the HEPA Filter have come off the filter. Purchase the optional filter FZ-N60HFU and replace the original filters.

CONTENTS

- FOR YOUR PROTECTION (U.S.) E-2
- CONSUMER LIMITED WARRANTY (U.S.) . E-3
- FOR YOUR PROTECTION (CANADA) E-4
- LIMITED WARRANTY (CANADA) E-5

SAFETY PRECAUTIONS E-6

- RISK OF ELECTRIC SHOCK E-6
- CAUTIONS CONCERNING THE OPERATION OF THIS PRODUCT E-7
- REMOTE CONTROL LIMITATIONS E-7
- INSTALLATION GUIDELINES E-7
- FILTER GUIDELINES E-7

PART NAMES E-8

- MAIN UNIT DISPLAY E-8
- BACK E-10
- ACCESSORIES E-10

PREPARATION E-11

- INSERTING BATTERIES IN THE REMOTE CONTROL E-11
- REMOTE CONTROL USE E-11
- FILTER INSTALLATION E-12

OPERATION E-14

- MAIN UNIT OPERATION E-14
- REMOTE CONTROL OPERATION E-15

CARE AND MAINTENANCE E-16

- WASHABLE ACTIVE CARBON FILTER CARE E-16
- FILTER CLEANING E-17
- MAIN UNIT E-18
- ODOR SENSOR, DUST SENSOR E-18
- FILTER REPLACEMENT GUIDELINES E-19

OPERATION GUIDE E-20

TROUBLE SHOOTING E-21

SPECIFICATIONS E-22

Thank you for purchasing the SHARP FP-N60CX. Please read this manual carefully for the correct usage information. Before using this product, be sure to read the section: "Safety Precautions."

After reading this manual, retain it in a convenient location for future reference.

This product is for household use only.

FOR YOUR PROTECTION (the United States)

To aid in answering questions if you call for service or for reporting loss or theft, please record below the model and serial number located on the back side of the unit.

MODEL NUMBER

SERIAL NUMBER

DATE OF PURCHASE

Dealer Name

Address

City

State

Zip

Telephone

TO PHONE: Dial 1-800-BE-SHARP (237-4277) for:
SERVICE (for your nearest Sharp Authorized Servicer)
PARTS (for your Authorized Parts Distributor)
ACCESSORIES
ADDITIONAL CUSTOMER INFORMATION

TO WRITE: For service problems, warranty information, missing items and other assistance:
Sharp Electronics Corporation
Customer Assistance Center
1300 Naperville Drive
Romeoville, IL 60446-1091

Please provide the following information when you write or call: model number, serial number, date of purchase, your complete mailing address (including zip code), your daytime telephone number (including area code) and description of the problem.

CONSUMER LIMITED WARRANTY

CONSUMER LIMITED WARRANTY FOR THE U.S. USERS

SHARP ELECTRONICS CORPORATION warrants to the first consumer purchaser that this Sharp brand product (the "Product"), when shipped in its original container, will be free from defective workmanship and materials, and agrees that it will, at its option, either repair the defect or replace the defective Product or part thereof with a new or remanufactured equivalent at no charge to the purchaser for parts or labor for the period(s) set forth below.

This warranty does not apply to any appearance items of the Product nor to the additional excluded item(s) set forth below nor to any Product the exterior of which has been damaged or defaced, which has been subjected to improper voltage or other misuse, abnormal service or handling, or which has been altered or modified in design or construction.

In order to enforce the rights under this limited warranty, the purchaser should follow the steps set forth below and provide proof of purchase to the servicer.

The limited warranty described herein is in addition to whatever implied warranties may be granted to purchasers by law. ALL IMPLIED WARRANTIES INCLUDING THE WARRANTIES OF MERCHANTABILITY AND FITNESS FOR USE ARE LIMITED TO THE PERIOD(S) FROM THE DATE OF PURCHASE SET FORTH BELOW. Some states do not allow limitations on how long an implied warranty lasts, so the above limitation may not apply to you.

Neither the sales personnel of the seller nor any other person is authorized to make any warranties other than those described herein, or to extend the duration of any warranties beyond the time period described herein on behalf of Sharp.

The warranties described herein shall be the sole and exclusive warranties granted by Sharp and shall be the sole and exclusive remedy available to the purchaser. Correction of defects, in the manner and for the period of time described herein, shall constitute complete fulfillment of all liabilities and responsibilities of Sharp to the purchaser with respect to the Product, and shall constitute full satisfaction of all claims, whether based on contract, negligence, strict liability or otherwise. In no event shall Sharp be liable, or in any way responsible, for any damages or defects in the Product which were caused by repairs or attempted repairs performed by anyone other than an authorized servicer. Nor shall Sharp be liable or in any way responsible for any incidental or consequential economic or property damage. Some states do not allow the exclusion of incidental or consequential damages, so the above exclusion may not apply to you.

THIS WARRANTY GIVES YOU SPECIFIC LEGAL RIGHTS. YOU MAY ALSO HAVE OTHER RIGHTS WHICH VARY FROM STATE TO STATE.

<u>Your Product Model Number & Description:</u>	FP-N60CX Air Purifier. Be sure to have this information available when you need service for your Product.
<u>Warranty Period for this Product:</u>	One (1) year parts and labor from date of purchase.
<u>Additional Item(s) Excluded From Warranty Coverage (If any):</u>	Appearance items of the Product, filter, or accessories, or any printed materials.
<u>Where to Obtain Service:</u>	From a Sharp Authorized Servicer located in the United States. To find the location of the nearest Sharp Authorized Servicer, call Sharp Toll Free at 1-800-BE-SHARP.
<u>What to Do to Obtain Service:</u>	Contact your Sharp Authorized Servicer to obtain in-home service for this Product. The Servicer will come to your home, and if it is necessary to remove the Product, the Servicer will reinstall it. Be sure to have Proof of Purchase available.

TO OBTAIN SUPPLY, ACCESSORY OR PRODUCT INFORMATION, GO TO OUR WEBSITE AT www.sharppusa.com

SHARP®

SHARP ELECTRONICS CORPORATION

Sharp Plaza, Mahwah, New Jersey 07430-2135

FOR YOUR PROTECTION (Canada)

To aid in answering questions if you call for service or for reporting loss or theft, please record below the model and serial number located on the back side of the unit.

MODEL NUMBER

SERIAL NUMBER

DATE OF PURCHASE

Dealer Name

Address

City

Province

Postal Code

Telephone

TO PHONE: Dial 1-905-568-7140 for:

SERVICE (for your nearest Sharp Authorized Servicer)

PARTS (for your Authorized Parts Distributor)

ACCESSORIES

ADDITIONAL CUSTOMER INFORMATION

TO WRITE: For service problems, warranty information, missing items and other assistance:
Sharp Electronics of Canada Ltd.

Customer Care

335 Britannia Road East

Mississauga, Ontario L4Z 1W9

Please provide the following information when you write or call: model number, serial number, date of purchase, your complete mailing address (including Postal Code), your daytime telephone number (including area code) and description of the problem.

SHARP®

LIMITED WARRANTY

Consumer Electronics Products

Congratulations on your purchase!

Sharp Electronics of Canada Ltd. (hereinafter called "Sharp") gives the following express warranty to the first consumer purchaser for this Sharp brand product, when shipped in its original container and sold or distributed in Canada by Sharp or by an Authorized Sharp Dealer:

Sharp warrants that this product is free, under normal use and maintenance, from any defects in material and workmanship. If any such defects should be found in this product within the applicable warranty period, Sharp shall, at its option, repair or replace the product as specified herein.

This warranty shall not apply to:

- (a) Any defects caused or repairs required as a result of abusive operation, negligence, accident, improper installation or inappropriate use as outlined in the owner's manual.
- (b) Any Sharp product tampered with modified, adjusted or repaired by any party other than Sharp, Sharp's Authorized Service Centres or Sharp's Authorized Servicing Dealers.
- (c) Damage caused or repairs required as a result of the use with items not specified or approved by Sharp, including but not limited to head cleaning tapes and chemical cleaning agents.
- (d) Any replacement of accessories, glassware, consumable or peripheral items required through normal use of the product including but not limited to earphones, remote controls, AC adapters, batteries, temperature probe, stylus, trays, filters, belts, ribbons, cables and paper.
- (e) Any cosmetic damage to the surface or exterior that has been defaced or caused by normal wear and tear.
- (f) Any damage caused by external or environmental conditions, including but not limited to transmission line/power line voltage or liquid spillage.
- (g) Any product received without appropriate model, serial number and CSA/cUL markings.
- (h) Any products used for rental or commercial purposes.
- (i) Any installation, setup and/or programming charges.

Should this Sharp product fail to operate during the warranty period, warranty service may be obtained upon delivery of the Sharp product together with proof of purchase and a copy of this LIMITED WARRANTY statement to an Authorized Sharp Service Centre or an Authorized Sharp Servicing Dealer. In home warranty service may be provided at Sharp's discretion on any Sharp television with the screen size of 27" or larger and on any Sharp Over-the-Range Microwave Oven.

This warranty constitutes the entire express warranty granted by Sharp and no other dealer, service centre or their agent or employee is authorized to extend, enlarge or transfer this warranty on behalf of Sharp. To the extent the law permits, Sharp disclaims any and all liability for direct or indirect damages or losses or for any incidental, special or consequential damages or loss of profits resulting from a defect in material or workmanship relating to the product, including damages for the loss of time or use of this Sharp product or the loss of information. The purchaser will be responsible for any removal, reinstallation, transportation and insurance costs incurred. Correction of defects, in the manner and period of time described herein, constitute complete fulfillment of all obligations and responsibilities of Sharp to the purchaser with respect to the product and shall constitute full satisfaction of all claims, whether based on contract, negligence, strict liability or otherwise.

WARRANTY PERIODS:

WARRANTY PERIODS:	Parts & Labour (exceptions noted)
Audio Products	1 year
Camcorder	1 year
DVD Products	1 year
LCD Projector	1 year (lamp 90 days)
LCD TV	1 year
Microwave Oven	2 years (magnetron component-3 additional years)
Television Products	1 year (picture tube component-1 additional year)
VCR Products	1 year
Vacuum Cleaner	1 year
Air Purifier	1 year (filters)

To obtain the name and address of the nearest Authorized Sharp Service Centre or Dealer, please contact:
SHARP ELECTRONICS OF CANADA LTD. 335 Britannia Road East Mississauga, Ontario L4Z 1W9

For more information on this Warranty, Sharp Canada Products, Accessory Sales, Dealer or Service Locations, please call (905) 568-7140

Visit our Web site: www.sharp.ca



ENGLISH

SAFETY PRECAUTIONS

RISK OF ELECTRIC SHOCK

- **These servicing instructions are for use by qualified personnel only. To reduce the risk of electric shock, do not perform any servicing other than that contained in the operating instructions unless you are qualified to do so.**
- **To reduce the risk of electric shock, this equipment has a polarized plug (one blade is wider than the other). This plug will fit in a polarized outlet only one way. If the plug does not fit fully in the outlet, reverse the plug. If it still does not fit, contact qualified personnel to install the proper outlet. Do not alter the plug in any way.**
- **Do not use the unit if the power cord or plug is damaged or the connection to the wall outlet is loose.**
Electrical shock, short circuit and/or fire may occur as a result.
- **Do not damage, break, coat, forcefully bend, pull, twist, bundle, pinch or place heavy objects on the power cord.**
If the power cord is damaged, fire and/or electrical shock may occur as a result.
- **Use AC 120V only.**
Fire and/or electrical shock may occur as a result.
- **Do not modify. Repair and disassembly of this product are to be performed by authorized service personnel only.**
Fire, electrical shock and/or bodily injury may occur if not.
For repair, contact your dealer or the nearest Sharp Service Center.
- **Periodically remove dust from the power plug**
Accumulated dust on the power plug may cause bad insulation from humidity, etc.
Fire and/or electrical shock may occur as a result.
- **When cleaning the unit, be sure to remove the power plug from the wall outlet.**
In addition, never handle the power plug with wet hands.
Electrical shock and/or bodily injury may occur as a result.
- **Do not use the unit where there are oil ingredients such as cooking oil, in the air.**
Cracking of the unit surface may occur as a result.
- **Do not wipe the unit with benzene or paint thinner. Also, do not spray insecticides on the unit.**
Cracking, electrical shock and/or fire may occur as a result.
- **Do not operate the unit when using indoor smoke-generating insecticides.**
Chemical ingredients may accumulate within the unit and then discharge from the air outlet when the unit operates. Discharge of such chemicals may be unhealthy to your body.
- **Do not allow the unit to intake flammable gases, sparks from lit cigarettes, incense, etc.**
The unit may ignite as a result.
- **Do not use the unit where it is humid, such as in a bathroom, or where the unit may get wet.**
Electrical shock and/or malfunction may occur as a result.
- **Do not insert fingers or foreign objects into the intake or air outlet.**
Electrical shock and/or malfunction may occur as a result.
- **When removing the power plug, always hold the plug and never pull the cord.**
Electrical shock and/or fire from short circuit may occur as a result.
- **Ventilate when using the unit along with a heating appliance.**
Carbon monoxide poisoning may occur as a result.
- **Remove the power plug when not using the unit.**
Electrical shock from bad insulation and/or fire from short circuit may occur as a result.
- **If the power cord is damaged, it must be replaced by the manufacturer, its service agent or similarly qualified person in order to avoid a hazard.**
- **The batteries must be removed from the remote control before it is disposed and the batteries must be disposed of safely.**

NOTE

This equipment has been tested and found to comply with the limits for a Class B digital device, pursuant to 15 of the FCC Rules. These limits are designed to provide reasonable protection against harmful interference in a residential installation. This equipment generates, uses and can radiate radio frequency energy and, if not installed and used in accordance with the instructions, may cause harmful interference to radio communications. However, there is guarantee that interference will not occur in a particular installation.

If this equipment does cause harmful interference to radio or television reception, which can be determined by turning the equipment off and on, the user is encouraged to try to correct the interference by one or more of the following measures:

- Reorient or relocate the receiving antenna.
- Increase the separation between the equipment and receiver.
- Connect the equipment into an outlet on a circuit different from that to which the receiver is connected.
- Consult the dealer or an experienced radio/TV technician for help.

CAUTIONS CONCERNING THE OPERATION OF THIS PRODUCT

- **Do not block the intake and air outlet.**
- **Do not use the unit near or on hot objects, such as a stove. Also, do not use the unit where it may come into contact with steam.**
- **Do not use the unit on its side.**
Deformation, malfunction and/or overheating of the motor may occur as a result.
- **Do not install when there is generation of oily residue, such as in a kitchen.**
- **Do not use detergent when cleaning the unit.**
The unit surface may become damaged or cracked.
In addition, the sensors may malfunction as a result.
- **Do not operate the unit without the filter.**
It will have no purification effect. In addition, it becomes the cause of the trouble.
- **Do not wash and reuse True HEPA filter.**
Not only it does not improve filter performance, it may cause electric shock or malfunction.
- **Let Washable Active Carbon Filter dry thoroughly after cleaning it.**
Wet filter may damage True HEPA filter, and it may cause strong odor.
- **When transporting the unit, always hold the handle on the back of the unit.**
Holding the front panel when carrying may cause it to detach, thus dropping the unit and resulting in bodily injury.

REMOTE CONTROL LIMITATIONS

DO NOT USE THE REMOTE CONTROL IN THE FOLLOWING LOCATIONS

- **Any location where there is inverter lighting equipment or electronic spontaneous lighting equipment**
The remote control may become inoperative. In this case, move away from such lighting equipment or change direction.
- **Location exposed to direct sunlight**
The unit may not receive signals from the remote control.
The unit may not respond to the signals of the remote control if the ends of fluorescent lighting become black or lights flicker due to the depletion of service life; however, this is not a malfunction of the remote control or the main unit. In this case, replace the lighting with new fluorescent tubes.

INSTALLATION GUIDELINES

- **Leave at least 7 feet (2m) of space from equipments which involve electric wave such as televisions, radios or wave clocks.**
Electrical interference may occur if not.
- **Leave at least 2 feet (60cm) of space from the wall**
The motor may overheat, causing malfunction if not.
- **Avoid a location where sensors are exposed to direct wind**
The unit may not operate properly.
- **Avoid a location where curtains, etc., come into contact with the intake or air outlet.**
Curtains, etc., may become dirty or malfunction may occur as a result.

EFFECTIVE OPERATION

- **Place on a stable surface with sufficient air circulation**

FILTER GUIDELINES

- Do not wash and reuse the True HEPA Filter. It does not work effectively, and may become a cause of electric shock.
- The wall behind the air outlet may become dirty as time passes. When using the unit for extensive period in the same location, use a vinyl sheet, etc., to prevent the wall from becoming dirty. In addition, periodically clean the wall, etc.

PART NAMES

MAIN UNIT DISPLAY

OFF Timer Display Indicator Lights
(set using remote control)

Filter Indicator Light

If the Filter Indicator Light is lit, the Washable Active Carbon Filter needs to be cleaned.

PLASMACLUSTER INDICATOR LIGHT

Plasmacluster ion operation is selected using the remote control.

Blue light

When the Plasmacluster ion operation is in Clean Mode, or in AUTO Plasmacluster Ion Mode and the air in the room is impure, the light will activate and the unit will operate in Clean Mode.

Green light

When the Plasmacluster ion operation is in the Ion Control Mode, or in AUTO Plasmacluster Ion Mode and the air in the room is clean, this light will activate and the unit will operate in Ion Control Mode.

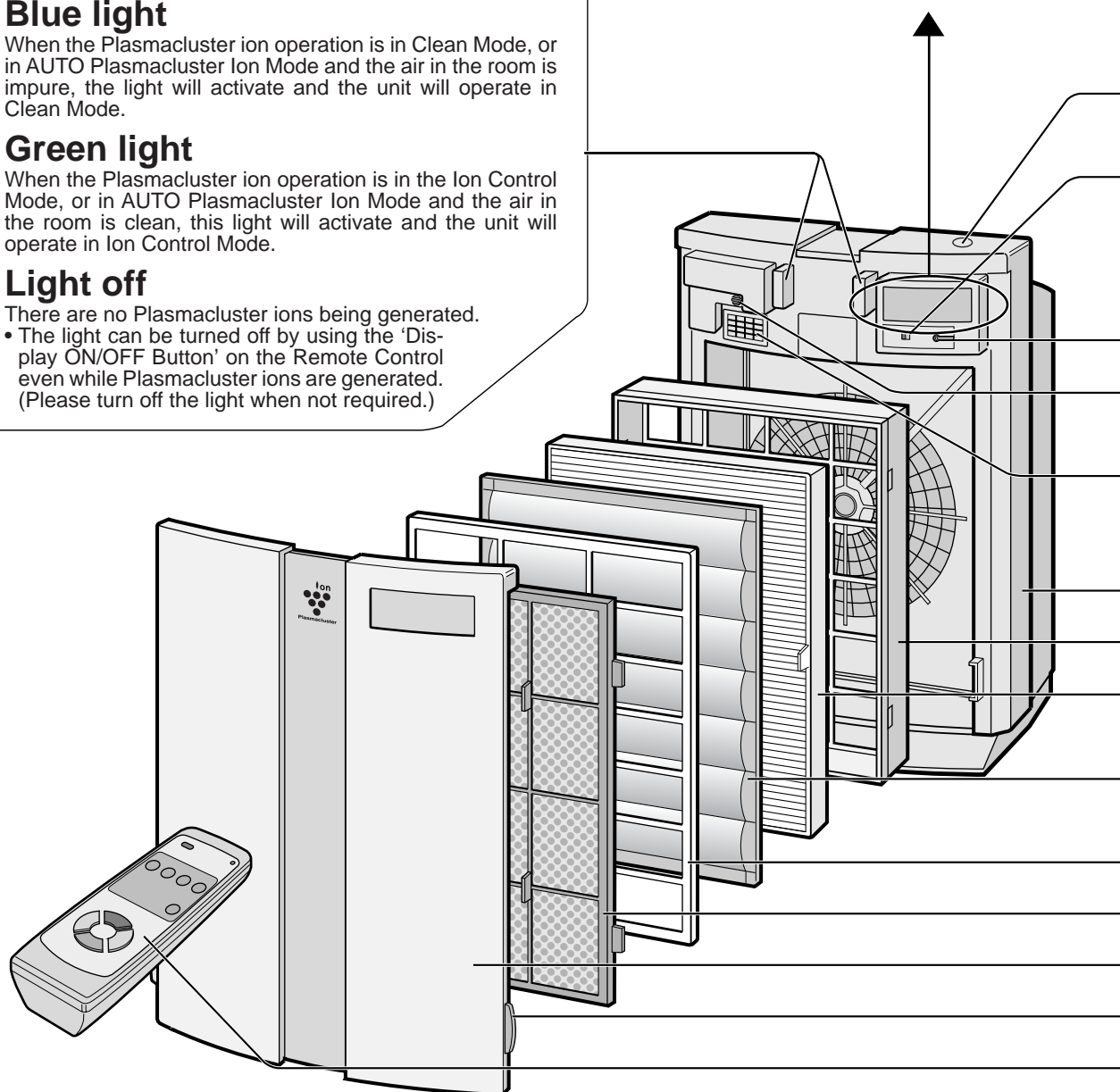
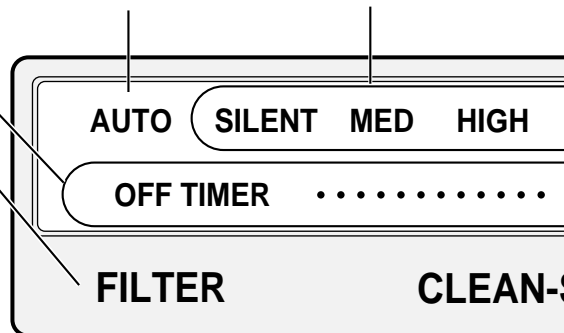
Light off

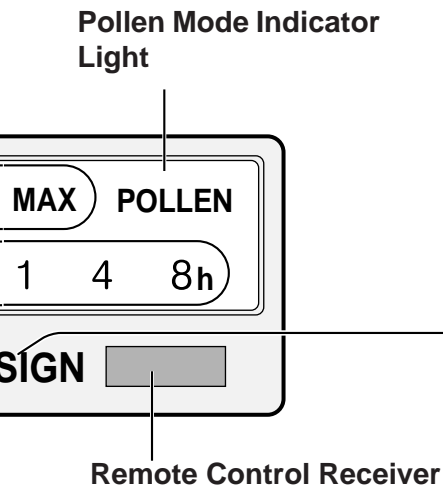
There are no Plasmacluster ions being generated.

- The light can be turned off by using the 'Display ON/OFF Button' on the Remote Control even while Plasmacluster ions are generated. (Please turn off the light when not required.)

AUTO Operation
Indicator Light

Fan Level Indicator
Light





CLEAN-SIGN LIGHT

The color changes according to the air condition.

Clean (Green) **Slightly Impure (Orange)** **Very Impure (Red)**
 CLEAN-SIGN → CLEAN-SIGN → CLEAN-SIGN

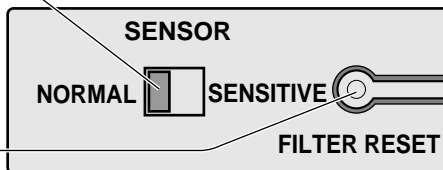
ABOUT THE CLEAN-SIGN

- The sensors display a CLEAN-SIGN depending on relative changes to the environment from the time the power plug is inserted into the wall outlet and thereafter.
- When the air is extremely impure at the time the power plug is inserted, the CLEAN-SIGN LIGHT may light green since the impure condition is the environment against which the sensors base the impurity rate on. In this case, operate the unit for a while in Clean Mode first, then switch to the desired operation mode. See Page E-15
- To reset the base impurity rate on the CLEAN-SIGN remove and insert the power plug.
- The CLEAN-SIGN LIGHT can be turned off using the "Display ON/OFF" Button of the Remote Control. See Page E-15

MODE-ON / OFF button See Page E-14
 (Used to select operations or turn the unit off)

Sensor sensitivity select switch

The unit's sensitivity to odor and dust detection can be adjusted. This setting is factory set to "NORMAL", and it is recommended that you use the unit in this setting. Set the sensitivity to "SENSITIVE" if the sensitivity seems too low depending on the room condition.



Filter Reset Button

Odor Sensor

Detects odors such as tobacco smoke, pets, cosmetics, etc.

Sensor Cover

Dust Sensor

Detects dusts, smoke, pollen, house dust, etc. See Page E-18, E-20

*Before pressing the Filter Reset Button, be sure that the unit is plugged in. There is also a Filter Reset Button on the remote control. After cleaning and reinserting the Washable Active Carbon Filter, press the Filter Reset Button.

Main Unit

Filter Frame

True HEPA Filter (white) See Page E-19
 (Dust Collection Filter with Anti-Bacterial Apatite Filter sheet covering its front surface)

Washable Active Carbon Filter (black)
 (Deodorizing Filter) See Page E-16

Filter Separator

Pre-Filter

Front Panel

Hook

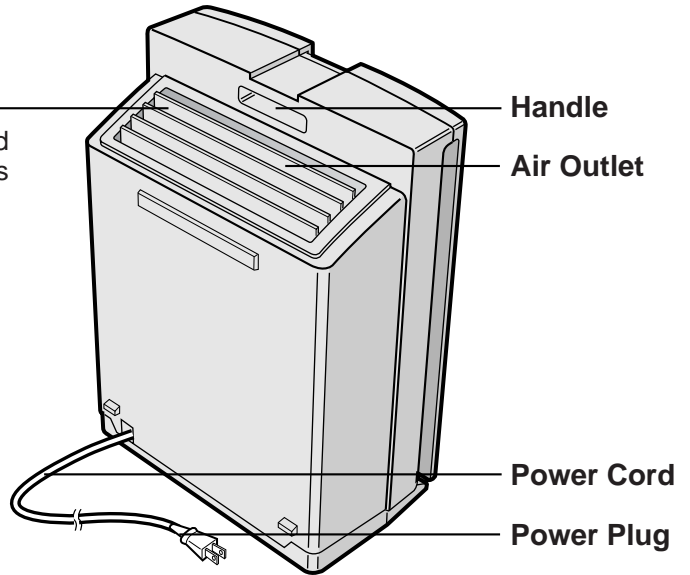
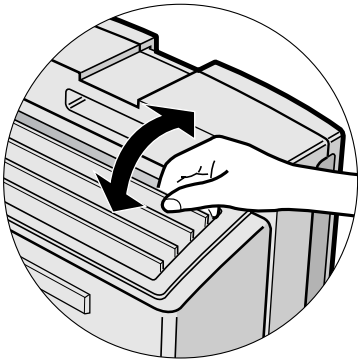
Remote Control See Page E-15

PART NAMES

BACK

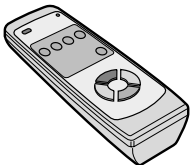
Purified Air Louver

- The purified air discharge can be changed to the directions indicated by the arrows as desired.



ACCESSORIES

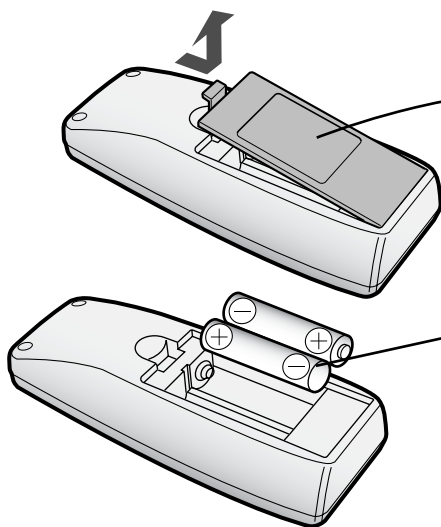
Remote Control (1 unit) Battery (AA battery X 2)



- Operation Manual

PREPARATION

INSERTING BATTERIES IN THE REMOTE CONTROL



1

Remove the back cover

Press and slide the back cover to remove.

2

Insert batteries

Insert batteries with \oplus and \ominus as shown below.

3

Close the back cover

Battery Information

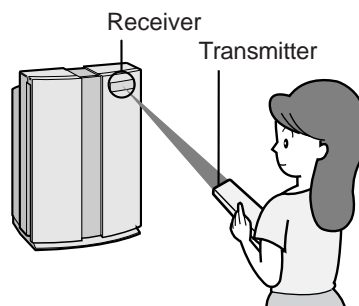
- The batteries for this remote control are for initial use only . Change the batteries when necessary.
- Incorrect usage of the batteries may cause battery fluid leakage and/or damage.
Take care of the following when handling:
 - When replacing the batteries, replace both batteries with new ones of the same type. (Use 2 AA manganese batteries.)
 - When not using the unit or remote control for an extended period, remove the batteries. (This prevents malfunction of the remote control from battery fluid leakage.)
 - The batteries of the accessory are for initial use only and may be depleted within 1 year.

REMOTE CONTROL USE

- Operate with the remote control facing the main unit (Receiver).
- The signal range is about 23 feet (front).
- Make sure there are no objects blocking the path of the signal.
- A beep sound will be heard from the main unit when a signal is received.

NOTE

- Avoid dropping or damaging the remote control. In addition, be sure the remote control avoids moisture or place in direct sunlight or near an electric heater, etc., otherwise a malfunction may occur.



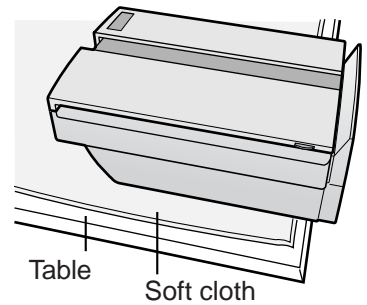
FILTER INSTALLATION

To maintain the quality of the filters, they are placed in the main unit within plastic bags. Be sure to remove the filters from the plastic bags before using the unit.

1 Filter Removal

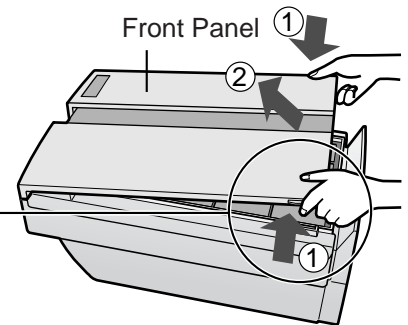
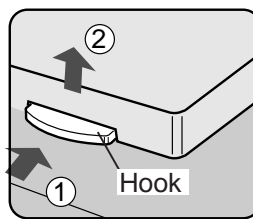
1 Place the unit facing up.

Lay the unit on a flat surface such as a table, making sure not to pinch the power cord on the rear of the unit.

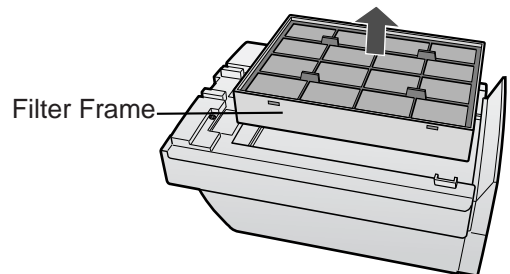


2 Remove the Front Panel.

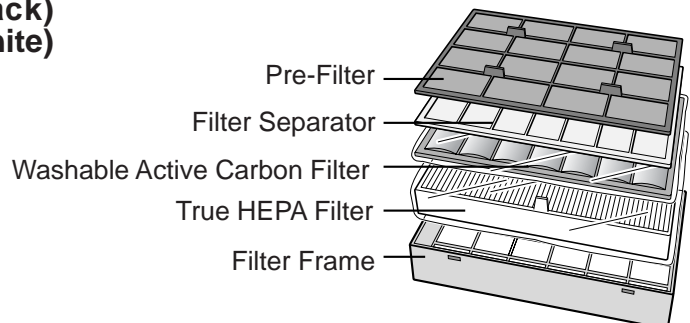
Press in the hook on the bottom of the front panel and lift to remove.



3 Pull out the Filter Frame and remove the Pre-Filter and Filter Separator.



4 Remove the Washable Active Carbon Filter (black) and True HEPA Filter (white) from the plastic bags.

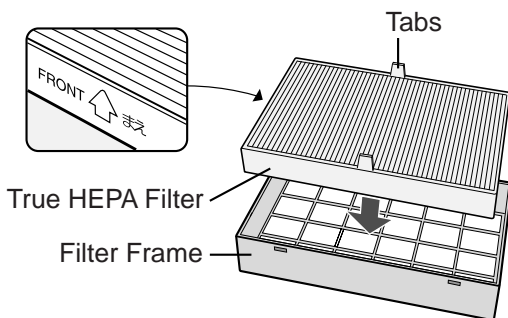


2 Filter Installation

- 1** After the True HEPA Filter is removed from the plastic bag, place it within the Filter Frame with the tabs facing up.

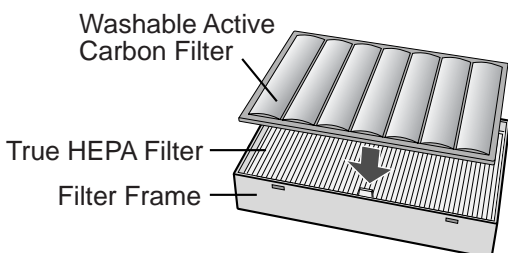
(See the diagram to the right.)

Ensure that the filter is installed correctly. Do not install the filter backwards or the unit will not operate properly.



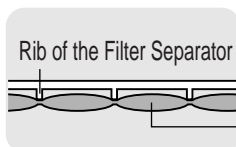
- 2** After removing the Washable Active Carbon Filter from the plastic bag, place it within the Filter Frame on top of the True HEPA Filter.

(See the diagram to the right.)



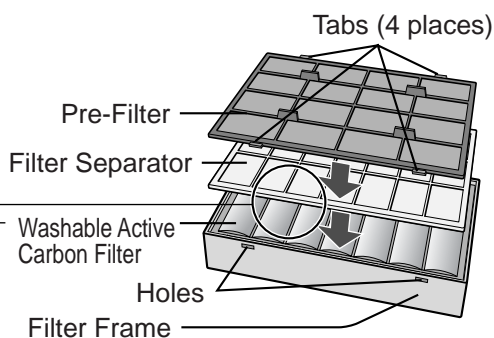
- 3** Next, place the Filter Separator and then the Pre-Filter within the Filter Frame.

- Place the Filter Separator so that the ribs are facing down as shown in the diagram on the right.



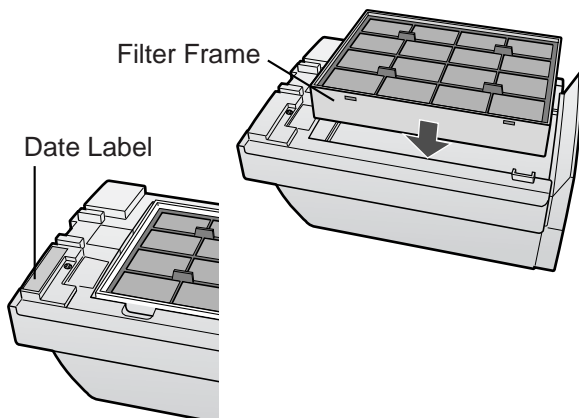
- Insert the tabs, (4), of the Pre-Filter into the associated holes found on the Filter Frame.

- Mount the Filter Frame as shown in the diagram to the right to the main unit.



- 4** Fill in the usage start date on the Date Label, which can be found on upper left corner of the Main unit. Mount the Front Panel to the Main Unit.

Use the date as a guide for your Filter Replacement schedule.



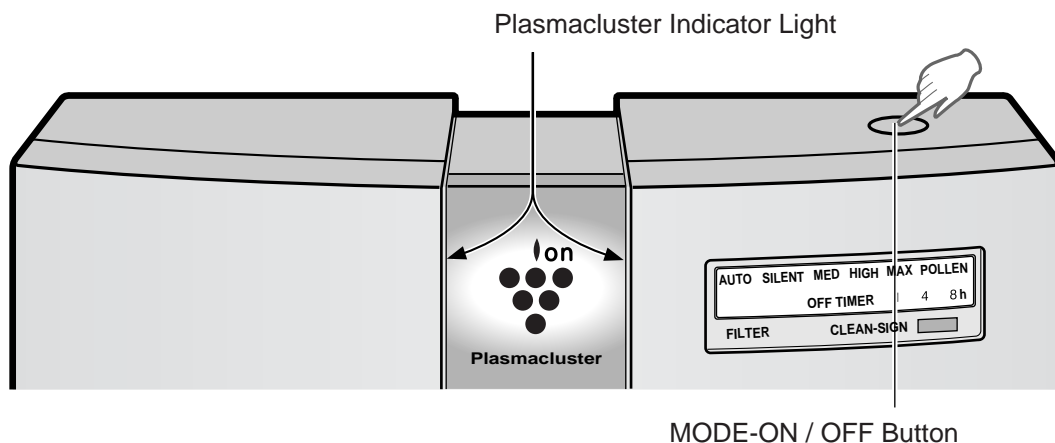
OPERATION

For the first 30 seconds after the power plug is inserted into the wall outlet, the unit will check the condition of the air. If operation is set to ON during this time, the CLEAN-SIGN LIGHT will alternately flash green, orange and red.

MAIN UNIT OPERATION

Main Unit Controls

- AUTO
- SILENT
- MEDIUM
- HIGH
- MAX
- POLLEN



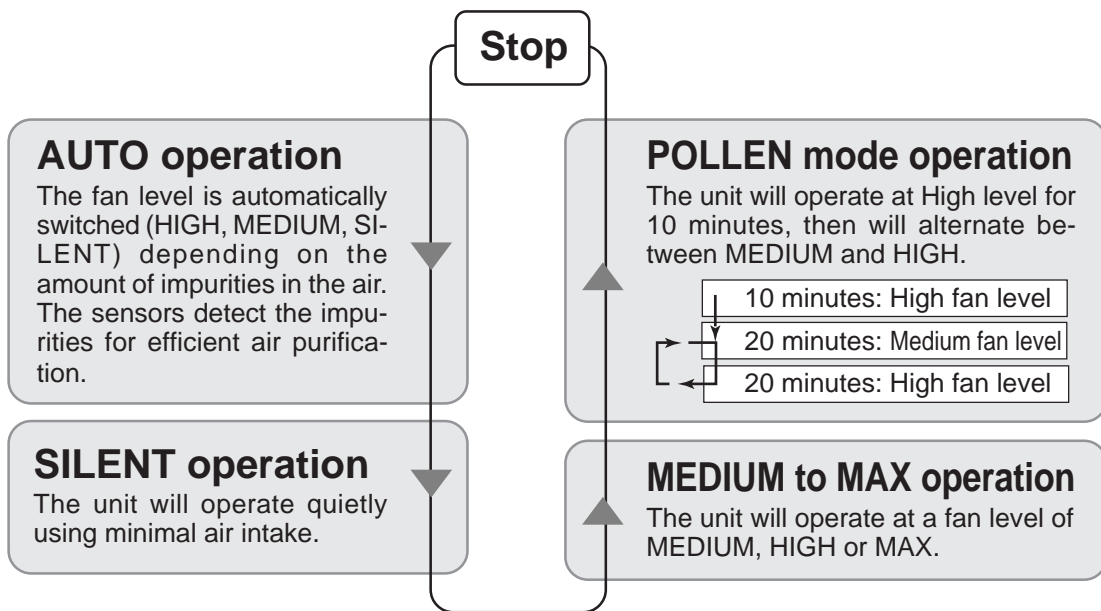
The unit will start operating when the MODE-ON / OFF Button is pressed.

The unit will begin operating in the AUTO Mode. (fan level)

- While operating the Plasmacluster Indicator Light will be on.

To switch operating controls, press the MODE-ON / OFF Button until the desired control is activated. (Your desired control will have its Indicator Light lit.)

For the best results of the room environment, set your operation control as desired.



Operations available with the Remote Control

- AUTO
- MANUAL
- POLLEN
- OFF TIMER
- DISPLAY ON/OFF

Plasmacluster ion mode selections

- AUTO
- CLEAN
- ION CONTROL
- OFF

REMOTE CONTROL OPERATION

- When you press the POWER ON/OFF Button, a short beep will sound and operation will start. As the initial operation mode, it automatically goes to the AUTO (Fan level) and AUTO Plasmacluster ion Mode.
- To stop operation, press the POWER ON/OFF Button again. A long beep will sound and operation will stop.

POWER ON/OFF Button

Used to start AUTO operation of the unit. A short beep will signal that the unit is on and a long beep means that the unit is off.

Auto (Fan Level) Button

The fan level switches automatically depending on the amount of impurities in the air.

Manual (Fan Level) Button

The fan level can be switched between Silent, Medium, High and Max.

Display ON/OFF Button

Switches the Plasmacluster Indicator Light and CLEAN-SIGN Light either ON or OFF.

- The Plasmacluster Indicator Light is turned on for about 3 seconds by pressing the Plasmacluster Ion Select Button (except for the OFF Button) during "Display OFF" mode.

Transmitter

Filter Reset Button

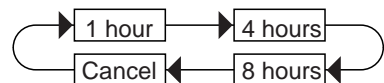
When you have cleaned the Washable Active Carbon Filter and re-inserted into the main unit, press the Filter Reset Button with an instrument with a point such as a pen.

Pollen Mode Operation Button

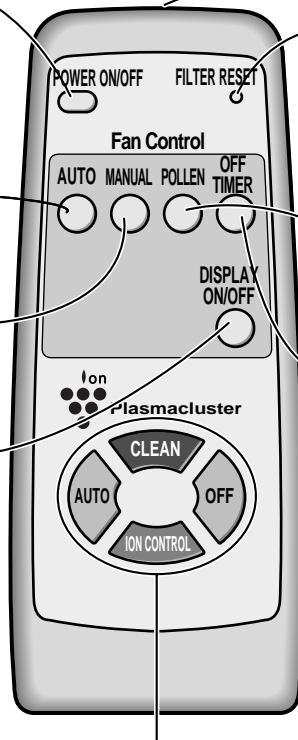
The unit operates effectively when you suspect there is pollen in the air. See Page E-14

Off Timer Button

Used to set the Off Timer. The set time switches every time the button is pressed as shown below.



- The indicator light shows the remaining time.
- The unit will cease operating when the timer is up.



Plasmacluster Ion mode Selections

Auto

When pressed, the unit will switch between Clean Mode and the Ion Control Mode automatically depending on the amount of impurities in the air as detected by the dust and odor sensors. Clean Mode will operate for about 1 minute when the Auto function is selected.

Ion Control

When pressed, the unit will constantly operate in Ion Control Mode. Ion balance is maintained in the room environment by increasing the ratio of negative ions. (The Plasmacluster Indicator Light is green)

Clean

When pressed, the unit will constantly operate in the Clean Mode, in which the same numbers of positive and negative ions are discharged. (The Plasmacluster Indicator Light is blue.)

Off

The generation of ions will cease and the Plasmacluster Indicator Light will go out.

If the room is damp or has a mold problem, operate the unit in Clean Mode.

CARE AND MAINTENANCE

WASHABLE ACTIVE CARBON FILTER CARE

**HAND WASH ONLY!
DO NOT TUMBLE DRY!**

Care Cycle

When the Filter Indicator Light comes on, this indicates that the filter needs to be cleaned. If the unit is kept on 24 hours a day then the Filter Indicator Light will activate in about 2 months.

The Filter Indicator Light is for reference. Clean the filter as often as necessary when odor persists.

- The operating time is recorded continuously, even if the power plug is disconnected to move the unit to another room or for some other reason.

- 1 Remove visible dirt with a vacuum cleaner.**



- 2 Fill a large container with a mild household detergent and warm water.**

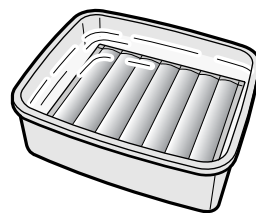
Dilute as indicated on the detergent container.



CAUTION

- Do not use any cleaner other than mild (pH neutral) household detergent.
- Make sure that the Washable Active Carbon Filter does not come into direct contact with undiluted detergent.

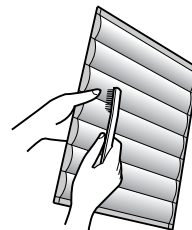
- 3 Allow the filter to soak approximately 30 minutes before washing.**



If the filter surface is very dirty, scrub with an old toothbrush or the like.

CAUTION

Handle with care to prevent damage to the activated carbon particles.



- 4 Rinse thoroughly with clean water**

CAUTION

If rinsing in a container, be sure to rinse 3 to 4 times so that the odor is rinsed thoroughly from the filter. If not rinsed thoroughly enough, an odor may remain.

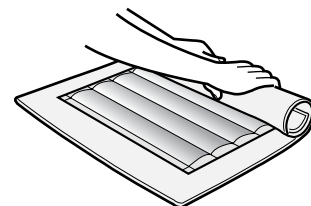


- 5 Remove excess water**

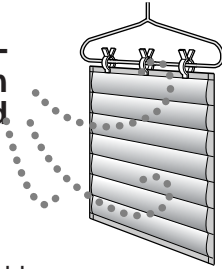
The filter will be soaked with water after rinsing. To decrease drying time, wrap the filter in an old thick hand towel so that excess water can be removed. It may take 1 or 2 days to dry.

CAUTION

Some black powder (activated carbon) may adhere to the towel. It is harmless, but you may want to use an old towel.



6 Dry the filter outdoors if possible in a well ventilated area.



CAUTION

- Let the filter dry thoroughly. If used while the filter is still moist, then the air that is exhausted from the main unit will have an odor. It may take 1 or 2 days to dry.
- Dry the filter outdoors in a well ventilated area. If dried indoors, it may give an odor. In addition, the water dripping off the filter may soil your floor.
- Make sure that the activated carbon has not shifted to one side inside the filter. If it has, distribute it evenly with your fingers.
- Dry the filter as shown in the above illustration. The wet filter is heavy. Fix it securely for drying to make sure it does not fall down.
- The filter takes longer to dry in winter, on rainy days. Wash it on a day when the weather is good and dry it in the sun. Move it indoors at night to prevent freezing.

7 Reinstalling the Filter and Restart

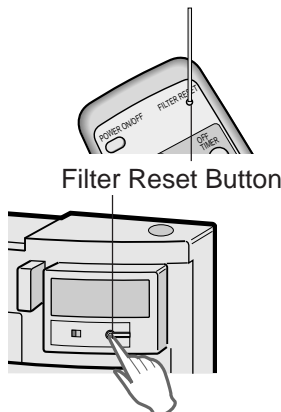
Reinstall the filter as shown on Page E-13.

- The filter air may have an odor until the filter is completely dry.

8 Once the Washable Active Carbon Filter has been cleaned, connect the power cord to the outlet and use a pointed instrument to activate the Filter Reset Button on either the Remote Control or the Main Unit.

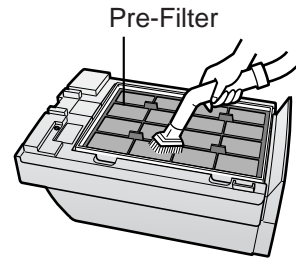
(Refer to page E-8,E-9,E-15)

- Once the Filter Reset Button has been activated, you will hear a beep sound that means that the unit has been reset.
- The Filter indicator light will then go out automatically.
- If you press the Filter Reset Button on the main unit, remove the front panel first.



FILTER CLEANING

Clean the top surface of the Pre-Filter lightly with a vacuum cleaner.



NOTE

- The True HEPA Filter is damaged easily. Do not bring it into direct contact with the nozzle of a vacuum cleaner or wash it with water. The True HEPA Filter should never be washed or cleaned.

CARE AND MAINTENANCE

(To maintain optimum performance of this product, please clean the unit including its sensors and filters periodically.)

When cleaning the unit, be sure to unplug the power cord, and never handle the plug with wet hands. Electrical shock and/or bodily injury may occur as a result.

MAIN UNIT

To prevent dirt or stains on the main unit, clean as often as necessary. If stains are allowed to remain, they may become hard to clean.

Wipe with a dry, soft cloth

For stubborn stains or dirt, use a soft cloth dampened with warm water.

Do not use volatile fluids

Benzene, paint thinner, polishing powder, etc., may damage the unit surface.

Do not use detergents

Detergent ingredients may damage the unit surface.

Keep the unit dry

Never apply water to the unit.

DUST SENSOR ODOR SENSOR

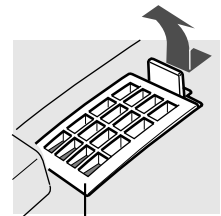
The maintenance cycle for both the Odor and Dust sensors is every 3 months.

The sensitivity of the sensors will become unstable if the odor or dust sensor is dirty or blocked. Please clean the parts as outlined below.

DUST SENSOR

1 Remove the front panel and detach the sensor filter

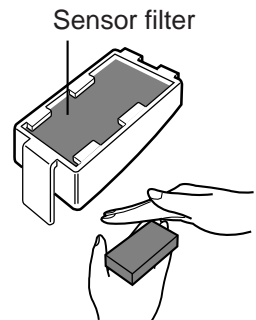
- Remove the sensor filter while pulling the tab on the sensor cover.



Sensor cover

2 Remove any dust from the sensor filter.

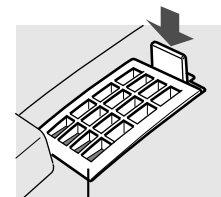
- Detach the sensor filter and tap it lightly with your hand to remove the dust. If it is very dirty, wash it with water and then allow it to dry thoroughly.



Sensor filter

3 Insert the sensor filter into the cover, install it in the main unit and attach the front panel.

- The sensor filter can be inserted either way round.



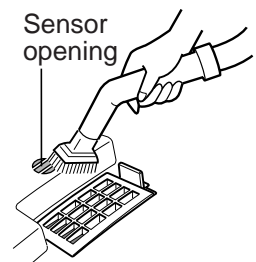
Sensor cover

CAUTION

- Do not forget to reinstall the sensor cover before restarting the unit.
- Do not insert any foreign objects into the filter. This may result in a malfunction or damage to the unit.

ODOR SENSOR

Remove dust from the surface of the sensor opening with a vacuum cleaner.



Sensor opening

FILTER REPLACEMENT GUIDELINES

- The replacement period differs depending on the usage hours and location of installation.
- Some odor ingredients absorbed by the filters may become separated and may be discharged through the air outlet and result in additional odor.

Depending on the usage environment, the air outlet odor may become strong after several months.

If dust or odors cannot be removed easily, replace the filters.

(Refer to E-1 FILTER MAINTENANCE)

Guide for filter replacement timing

- The following filter life and replacement period is based on the condition that smoking 10 cigarettes per day and the dust collection/deodorization power is reduced by half than that of new filters. For more information on filter life, please contact Sharp.

- | | |
|---------------------------------|-----------------------------|
| • True HEPA Filter | About 5 years after opening |
| • Washable Active Carbon Filter | About 5 years after open |

REPLACING THE FILTERS

1 See page E-12 for directions on how to install the filters when replacing.

2 After replacing the filters:

Be sure to press the Reset Button on the Remote Control with the power cord connected to the outlet.

A short beep will be heard and the operation hours stored in the memory will be reset. The Filter Indicator Light will then go out automatically.

3 Fill in the usage start date of the filters on the Date Label, which can be found on upper left corner of the Main unit.

Replacement Filters

- True HEPA Filter: 1 unit
- Washable Active Carbon Filter: 1 unit

Model: FZ-N60HFU

For replacement filters contact Sharp for information

(U.S.A.) 1-800-BE-SHARP or website at www.sharpusa.com

(Canada) (905)568-7140 or website at www.sharp.ca

Disposal of Filters

Please dispose of replaced filters according to the local disposal laws and regulations.

True HEPA Filter Materials:

- Filter: Polypropylene
- Frame: Polyester

Washable Active Carbon Filter Materials:

- Deodorizer: Activated charcoal
- Net: Polypropylene 60% Polyester 40%

OPERATION GUIDE

ODOR SENSOR GUIDELINES

- The odor sensor responds to cigarette and pet odors, as well as other scents such as Insecticide, cosmetics, spray, alcohol, or sudden changes in temperature or humidity.
- When the unit is in Auto Mode and room is in a closed environment the sensor will respond to some odors by increasing the air flow. If you do not desire increased air flow, please adjust the sensitivity of the sensor.




DUST SENSOR GUIDELINES

- The dust sensor detects particles in the air, such as cigarette smoke and house dust or pollen.
- Compared with cigarette smoke, the amount of dust released when cleaning your carpet is so small that it may not be detected by the Dust sensor. Therefore, the amount of dust seen with the eye may differ from the indication of the CLEAN-SIGN Light.

FILTER RESET

- Once the Washable Active Carbon Filter has been cleaned or replaced, connect the power cord to the outlet and use a pointed instrument to activate the Filter Reset on either the Remote Control or the Main Unit.
Once the Filter Reset Button has been activated, you will hear a beep sound that means that the unit has been reset. If the Filter Indicator Light is on, it will then go out automatically.

GUIDE FOR WASHABLE ACTIVE CARBON FILTER

- | | |
|---|---|
| <ul style="list-style-type: none">• Can this filter be washed? When should I wash this filter? |  <ul style="list-style-type: none">• Yes! The Active Carbon Filter is washable. Generally, you should wash it every 2 months or if odor persists. |
| <ul style="list-style-type: none">• Will washing improve the filter's performance? |  <ul style="list-style-type: none">• After time the filter will loose its deodorizing ability. When washed, the filter will be restored to a nearly new working level of deodorization. |
| <ul style="list-style-type: none">• When does Washable Active Carbon Filter need replacement? |  <ul style="list-style-type: none">• Sharp recommends to replace filters 5 years after opening. Even if washed regularly (every 2 months), the Washable Active Carbon Filter usually needs to be replaced 5 years after opening the filter package. Replace your True HEPA Filter at the same time you replace the Washable Active Carbon Filter since the deodorizing performance will slowly decrease with repeated washing. |

Please refer to E-16 page for directions on how to clean your Washable Active Carbon Filter.

TROUBLESHOOTING

Before calling for repair, please review the list below, since the problem may not be a unit malfunction.

SYMPTOM	REMEDY (not a malfunction)
The Remote Control does not work	<ul style="list-style-type: none"> • Have the batteries been depleted? • Are the batteries inserted correctly? • Is a fluorescent lighting in the room flickering due to service life? (Refer to E-7,E-11)
Odors and smoke are not removed	<ul style="list-style-type: none"> • Clean the filters if they appear to be heavily soiled. (Refer to E-16,E-17)
The CLEAN-SIGN Light lights green even when the air is impure	<ul style="list-style-type: none"> • Is the opening of the odor sensor blocked or the sensor filter clogged? (Refer to E-18) • The air could be impure at the time the unit was plugged in. (Refer to E-9)
The CLEAN-SIGN Light lights orange or red even when the air is clean	<ul style="list-style-type: none"> • Is the sensor filter dirty or clogged? The sensitivity of the sensor becomes unstable when the opening of the dust sensor is dirty or is clogged. Remove dust from the sensor filter. (Refer to E-18)
The Plasmacluster Indicator Light remains green (blue) and does not change	<ul style="list-style-type: none"> • When in Clean Mode (or Ion Control Mode), the Plasmacluster Indicator Light color will not change.
A clicking or ticking sound is heard from the unit	<ul style="list-style-type: none"> • Clicking sound is emitted when the unit is in the Ion Control Mode. If the sound is irritating, set the unit away from you. • Ticking sound is emitted when the unit is generating ions. If the sound is irritating, such as when sleeping, set the unit away from you.
A ticking sound is sometimes heard from the unit and is not sometimes heard.	<ul style="list-style-type: none"> • A sound is sometime low, loud or not at all, but the effect of the Plasmacluster ion is the same.
The discharged air has an aroma or odor.	<ul style="list-style-type: none"> • Check to see if the filters are heavily soiled. Care the Washable Active Carbon Filter or replace filters. (Refer to E-16,E-19) • Check to see if the Washable Active Carbon Filter is dried thoroughly after cleaning it. • Very low concentration of ozone generated by the Plasmacluster ion generator may have a odor. This is harmless and will not affect the human body. Also, the ozone will break down quickly and will not accumulate in the room environment.
The unit does not operate when cigarette smoke is in the air.	<ul style="list-style-type: none"> • Is the unit installed in a location that is difficult for the sensors to detect cigarette smoke? • Are the odor or dust sensor openings blocked or clogged? (In this case, clean the openings.) (Refer to E-18)
The Filter Indicator Light remains activated even after washing or replacing filter.	<ul style="list-style-type: none"> • After cleaning or replacing filters, connect the power cord to an outlet and press the Filter Reset Button on the main unit or on the remote control. (Refer to E-17)
The Plasmacluster Indicator Light or the CLEAN-SIGN Light will not activate.	<ul style="list-style-type: none"> • Check to see if the Display OFF Mode on the Remote Control is selected. If so, then press the Display ON/OFF Button on the Remote Control to activate the indicator light. (Refer to E-15)

SPECIFICATIONS

Model		FP-N60CX			
Power supply		120V / 60Hz			
Fan Level Operation	Fan Level Adjustment	MAX	HIGH	MEDIUM	SILENT
	Rated Power	54 W	19 W	9 W	4 W
	Fan Level CFM (m ³ /min.)	212 (6.0)	131 (3.7)	88 (2.5)	28 (0.8)
Applicable Floor Surface		330 sq.ft.* (30m ²)			
CADR(Dust/Smoke/Pollen)		209 / 213 / 205			
Cord Length		8.3 ft (2.5m)			
Dimensions		16-3/8 in.(W)x9-7/16 in.(D)x22-1/2 in(H) 415mm(W)x238mm(D)x572mm(H)			
Weight		19.8 lbs (9.0kg)			

* The applicable floor surface area is appropriate for operating the unit at maximum fan level.

Standby Power

In order to operate the electrical circuits while the power plug is inserted in the wall outlet, this product consumes about 0.5W of standby power.

For energy conservation, unplug the power cord when the unit is not in use.

CARACTÉRISTIQUES

Contrôle d'ions Plasmacluster

L'appareil contrôle le rapport des groupes d'ions négatifs et positifs en fonction des conditions dans la pièce.

• Mode de nettoyage

Environ la même quantité de groupes d'ions négatifs et positifs est déchargée.

• Mode contrôle d'ions

Il est dit que l'on trouve beaucoup d'ions négatifs à proximité des chutes d'eau et dans les forêts. Dans ce mode opératoire, des ions négatifs sont libérés en proportions plus élevées pour rapprocher l'air de la pièce d'une atmosphère naturelle.

• Mode d'ions Plasmacluster AUTO

Cet appareil se commut automatiquement entre les modes de nettoyage et de rafraîchissement suivant l'importance de la pollution de l'air détectée par le capteur de poussière et d'odeur.

• Filtres

1) Pré-filtre

Ce filtre collecte les grosses particules.

2) Filtre à charbon actif lavable

Son efficacité désodorisante peut être maintenue par lavage.

3) Filtre HEPA (High Efficiency Particulate Air) avec filtre apatite antibactérien

Collecteur de particules de grande efficacité y compris le pollen et la poussière.

ENTRETIEN DU FILTRE

Certains composants d'odorants absorbés par les filtres se séparent et sont évacués par la sortie d'échappement comme odeurs.

Suivant le lieu d'utilisation, cette odeur risque de devenir forte au bout de quelques mois.

Dans ce cas, nettoyez le filtre à charbon actif lavable. (Veuillez vous référer à la page F-14)

Si cette odeur persiste, elle est due aux composants odorants absorbés par le filtre HEPA qui se sont détachés du filtre. Achetez le filtre optionnel FZ-N60HFU et remplacez les filtres d'origine.

TABLE DES MATIÈRES

• POUR VOUS PROTÉGER	F-2
• GARANTIE LIMITÉE	F-3
PRÉCAUTIONS DE SÉCURITÉ	F-4
• RISQUE D'ÉLECTROCUTION	F-4
• PRÉCAUTIONS CONCERNANT LE FONCTIONNEMENT DE CET APPAREIL ...	F-5
• LIMITATIONS DE LA TÉLÉCOMMANDE	F-5
• GUIDE D'INSTALLATION	F-5
• GUIDE D'UTILISATION DU FILTRE	F-5
DÉSIGNATION DES PIÈCES	F-6
• AFFICHAGE DE L'UNITÉ PRINCIPALE	F-6
• DOS DE L'APPAREIL	F-8
• ACCESSOIRES	F-8
PRÉPARATION	F-9
• MISE EN PLACE DES PILES DANS LA TÉLÉCOMMANDE	F-9
• FONCTIONNEMENT DE LA TÉLÉCOMMANDE	F-9
• INSTALLATION DU FILTRE	F-10
FONCTIONNEMENT	F-12
• FONCTIONNEMENT DE L'UNITÉ PRINCIPALE	F-12
• FONCTIONNEMENT DE LA TÉLÉCOMMANDE	F-13
SOIN ET ENTRETIEN	F-14
• ENTRETIEN DU FILTRE A CHARBON ACTIF LAVABLE	F-14
• NETTOYAGE DU FILTRE	F-15
• UNITÉ PRINCIPALE	F-16
• CAPTEUR DE POUSSIÈRE, CAPTEUR D'ODEUR	F-16
• PÉRIODE DE REMPLACEMENT DES FILTRES	F-17
GUIDE D'UTILISATION	F-18
RÉSOLUTION DES PROBLÈMES	F-19
CARACTÉRISTIQUES	F-20

Merci de vous être porté acquéreur du FP-N60CX de SHARP. Veuillez lire ce manuel avec attention afin d'utiliser correctement cet appareil. Avant d'utiliser ce produit, consultez impérativement la section "Précautions de sécurité".

Après avoir lu ce manuel, gardez-le à portée de main pour future référence.

Cet appareil est destiné uniquement à un usage domestique.

POUR VOUS PROTÉGER

Pour nous aider à répondre à vos questions au cas où vous appelleriez pour demander du service ou pour déclarer le vol ou la perte de votre machine, veuillez écrire les numéros de modèle et de série de la machine dans les espaces indiqués en bas de cette page. Vous trouverez ces numéros sur le dos de l'unité.

NUMÉRO DE MODÈLE

NUMÉRO DE SÉRIE

DATE DE L'ACHAT

Nom du Détaillant

Adresse

Ville

Province

Code Postal

Téléphone

POUR TÉLÉPHONER : Composez le 1-905-568-7140 pour :

SERVICE (pour obtenir les coordonnées du Centre de Service Agréé Sharp le plus proche)

PIÈCES (Pour le nom d'un Revendeur de Pièces Agréé)

ACCESSOIRES

AUTRES INFORMATIONS

POUR NOUS ÉCRIRE : Pour de l'aide côté service, des informations sur la garantie, des pièces manquantes ou autre :

Sharp Électronique du Canada Ltée.
Service aux Client(e)s
335 Britannia Road East
Mississauga, Ontario L4Z 1W9

SHARP®

GARANTIE LIMITÉE

Produits Électroniques grand public

Bravo ! Vous venez de faire un excellent achat !

Sharp Électronique du Canada Ltée (ci-après nommée "Sharp") donne la garantie expresse suivante à l'acheteur initial du produit ci-dessous mentionné de Sharp, si celui-ci est emballé dans son contenant original et s'il est vendu et distribué au Canada par Sharp ou par un Détaillant autorisé Sharp.

Sharp garantit que ledit produit est, s'il est utilisé et entretenu normalement, exempt de défaut de fabrication. Si un défaut de fabrication est décelé durant la période de garantie stipulée, Sharp s'engage à réparer ou remplacer, selon son choix, le produit spécifié ci-dessous.

La garantie offerte par Sharp ne s'applique pas :

- (a) Aux appareils qui ont été l'objet d'un emploi abusif, de négligence, d'un accident, d'une installation inadéquate ou d'une utilisation non appropriée, tel qu'il est mentionné dans le manuel du propriétaire ;
- (b) Aux produits Sharp altérés, modifiés, réglés ou réparés ailleurs qu'aux bureaux de Sharp, à un centre agréé de service Sharp ou à un Détaillant autorisé au service Sharp ;
- (c) Au dommage causé ou réparation requise à la suite de l'utilisation avec des articles non désignés ou approuvés par Sharp, y compris, mais non limité aux rubans pour nettoyage de tête et les nettoyeurs chimiques ;
- (d) Au remplacement des accessoires, des pièces en verre, des articles consommables ou périphériques, devenu nécessaire à la suite d'une utilisation normale du produit, y compris, mais sans en être limité, aux écouteurs, aux télécommandes, aux adaptateurs c.a., aux piles, à la sonde de température, aux pointes de lecture, aux plateaux, aux filtres, aux courroies, rubans, papier ou autre ;
- (e) Aux défauts cosmétiques à la surface ou à l'extérieur de l'appareil qui sont causés par une usure normale ;
- (f) Aux dommages causés par des conditions extérieures et relatives à l'environnement, y compris mais non limité à du liquide répandu, une tension de la ligne électrique ou de transmission trop élevée ou autre ;
- (g) Aux produits dont le numéro de série et de modèle ou le marquage CSA/cUL, ou les deux, ont été enlevés ou effacés ;
- (h) Aux produits de consommation utilisés à des fins de location.
- (i) Aux coûts d'installation, configuration et/ou programmation.

Si un défaut de fabrication est décelé dans ce produit Sharp au cours de la période de la garantie, la réparation sous garantie est offerte à la condition que le produit Sharp soit livré accompagné de la preuve d'achat et une copie de cette GARANTIE LIMITÉE à un centre agréé de service Sharp ou à un Détaillant autorisé au service Sharp. La garantie de service à domicile peut être offerte, à la discrétion de Sharp, sur tous les téléviseurs Sharp dont l'écran est de 27 pouces ou plus et sur les fours à micro-ondes Sharp au-dessus de la cuisinière.

La garantie ci-dessus constitue la seule garantie expresse accordée par Sharp. Aucun autre détaillant, aucun centre de service, leurs représentants ou employés, ne sont autorisés à prolonger la durée de la garantie, à fournir des garanties autres ou à transférer cette garantie au nom de Sharp. Dans la mesure où la loi en vigueur le permet, Sharp décline toute responsabilité des pertes ou des dommages directs ou indirects, des pertes ou des dommages imprévus et des pertes de profits indirectes résultant d'un défaut de fabrication du produit, y compris les dommages reliés à la perte de temps ou d'utilisation de ce produit Sharp. L'acheteur doit assumer les coûts de démontage, de réinstallation, de transport et d'assurance de l'appareil. La réparation des défauts, selon la manière et durant la période de temps ci-haut décrites, constitue l'exécution complète de toutes les obligations et les responsabilités de Sharp vis-à-vis de l'acheteur en ce qui a trait au produit et constituera un acquittement complet pour toute réclamation, qu'elle soit basée sur le contrat, la négligence, la responsabilité stricte ou autre.

PÉRIODES DE GARANTIE :

	Pièces et travail (exceptions notées)
Produits audio	1 an
Caméscope	1 an
Produits DVD	1 an
Projecteurs ACL	1 an (ampoule 90 jours)
TV à affichage aux cristaux liquides	1 an
Four à micro-ondes	2 ans (magnétron 3 ans supplémentaires-pièces seulement)
Téléviseurs	1 an (tube cathodique 1 an supplémentaire)
Magnétoscopes	1 an
Aspirateurs	1 an
Purificateur d'air	1 an (filtres)

Pour obtenir le nom et l'adresse du Centre de service ou du Détaillant autorisé au service Sharp le plus près, veuillez écrire ou téléphoner à :
SHARP ÉLECTRONIQUE DU CANADA LTÉE., 335 Britannia Road East, Mississauga, Ontario, L4Z 1W9

Pour plus de renseignements sur cette garantie, sur des produits de Sharp Canada, sur la vente d'accessoires, sur l'emplacement de détaillants ou de centres de service chez le détaillant, veuillez composer le (905) 568-7140

Visitez notre site Internet : www.sharp.ca



PRÉCAUTIONS DE SÉCURITÉ

RISQUE D'ÉLECTROCUTION

- Ces instructions d'entretien concernent uniquement les techniciens qualifiés. Pour réduire les risques d'électrocution, n'effectuez pas d'opérations d'entretien autres que celles préconisées dans les instructions d'utilisation à moins d'être qualifié.
- Afin de réduire les risques d'électrocution, cet équipement est doté d'une fiche polarisée (une lame est plus large que l'autre). Cette fiche s'adapte dans une prise polarisée uniquement d'un côté. Si la fiche n'entre pas à fond dans la prise, retournez-la. Si elle ne rentre toujours pas dans la prise, contactez un technicien qualifié pour installer la prise appropriée. Ne modifiez pas la fiche d'aucune façon.
- N'utilisez pas cet appareil si le câble d'alimentation ou sa prise est endommagée ou encore, si le raccordement à la prise du secteur n'est pas sûr.
Cela risque de provoquer une électrocution, un court-circuit et/ou de déclencher un incendie.
- Prenez garde de ne pas endommager, casser, couvrir, plier de force, tirer, tordre, grouper, serrer le câble d'alimentation et ne posez aucun objet lourd dessus.
Si le câble d'alimentation est endommagé, cela risque de provoquer un incendie et/ou une électrocution.
- Utilisation uniquement avec du 120 V alternatif.
Dans le cas contraire, un incendie et/ou une électrocution pourrait se produire.
- N'effectuez aucune modification. Seul un personnel d'entretien qualifié peut effectuer les réparations et le démontage de cet appareil.
Dans le cas contraire, cela peut provoquer un incendie, une électrocution et/ou des blessures corporelles. Pour toute réparation, contactez votre revendeur ou le centre SAV Sharp le plus proche.
- Nettoyez périodiquement la prise du secteur pour la débarrasser de toute poussière.
La poussière accumulée sur la prise du secteur peut, en se combinant à l'humidité, provoquer un défaut d'isolement, etc. Cela risque de provoquer un incendie et/ou une électrocution.
- Lors du nettoyage de l'appareil, débranchez d'abord la prise du secteur.
De plus, ne manipulez jamais la prise du câble d'alimentation avec les mains mouillées. Cela risque de provoquer une électrocution et/ou des blessures corporelles.
- N'utilisez pas cet appareil dans les lieux exposés aux vapeurs d'huile de cuisine, dans l'air.
La finition de surface de l'appareil risque de se craqueler.
- N'essuyez pas l'appareil avec du benzène ou un diluant de peinture. Ne pulvérisez pas non plus d'insecticide dessus.
Dans le cas contraire, cela peut provoquer des craquelures, une électrocution et/ou déclencher un incendie.
- N'utilisez pas cet appareil en même temps que des fumigènes insecticides pour l'intérieur.
Les composants chimiques peuvent s'accumuler à l'intérieur de l'appareil et être ensuite refoulés par la sortie d'échappement en cours de fonctionnement. Ces composants chimiques risquent d'être dangereux pour la santé.
- N'exposez pas cet appareil à des gaz inflammables, à la fumée des cigarette, d'encens, etc.
L'appareil risque de s'enflammer.
- N'utilisez pas cet appareil dans les endroits humides comme une salle de bains, ou dans un endroit où il risque d'être mouillé.
Dans le cas contraire, cela risque de provoquer une électrocution et/ou un dysfonctionnement.
- N'introduisez pas vos doigts ou le moindre objet dans les ouïes d'entrée d'air ou d'évacuation.
Dans le cas contraire, cela risque de provoquer une électrocution et/ou un dysfonctionnement.
- Pour débrancher le câble d'alimentation, tirez-le en le tenant par la prise, ne tirez jamais sur le câble.
Cela risque de provoquer une électrocution et/ou un incendie par court-circuit.
- Ventilez lors de l'utilisation de l'appareil en même temps qu'un appareil de chauffage.
Cela peut entraîner une asphyxie au monoxyde de carbone.
- Débranchez l'appareil du secteur lorsque celui-ci n'est pas utilisé.
Cela risque de provoquer une électrocution par mauvaise isolation et/ou un incendie par court-circuit.
- Si le câble d'alimentation est endommagé, celui-ci doit être remplacé par le fabricant ou le SAV pour éviter tout danger.
- Retirez les piles de la télécommande avant de mettre l'appareil au rebut et débarrassez-vous en respectant la réglementation.

NOTE

Cet équipement a été testé et reconnu conforme aux limites pour le matériel numérique de Classe B, selon les spécifications de la 15^{ème} partie des Réglementations FCC. Ces limites sont conçues pour assurer une protection suffisante contre des interférences nuisibles dans une zone résidentielle. Cet équipement génère et utilise des signaux radio électriques et si ce matériel n'est pas installé et employé en suivant les instructions, il peut provoquer des interférences avec les communications radio. Toutefois, il n'y a pas de garantie que les interférences n'aurent pas lieu dans une installation particulière.

Si cet équipement provoque effectivement des interférences avec la réception radio et télévision, qui peuvent être déterminées en allumant et éteignant l'équipement, il est conseillé à l'utilisateur d'essayer d'y remédier, au moyen de l'une ou de plusieurs des mesures suivantes :

- Réorientez ou déplacez l'antenne de réception.
- Éloignez l'équipement du poste de radio.
- Branchez l'équipement et le récepteur sur des circuits électriques différents.
- Consultez le revendeur ou un technicien radio/TV confirmé pour de l'assistance technique.

PRÉCAUTIONS CONCERNANT LE FONCTIONNEMENT DE CET APPAREIL

- **N'obtenez pas les ouïes d'entrée et d'évacuation.**
- **N'utilisez pas cet appareil à proximité, ou sur une source de chaleur telle qu'un chauffage. N'utilisez pas non plus cet appareil à proximité d'une source de vapeur d'eau.**
- **N'utilisez pas cet appareil en le plaçant sur le côté.**
Une déformation, un dysfonctionnement et/ou une surchauffe du moteur risque de se produire.
- **N'installez pas cet appareil dans une cuisine, pour éviter la formation de résidus de graisse.**
- **N'utilisez pas de détergent pour nettoyer l'appareil.**
Sa surface risque d'être endommagée ou craquelée.
De plus, les capteurs risquent de ne plus fonctionner.
- **Ne faites pas fonctionner cet appareil sans filtre.**
Il n'aura aucun effet purificateur. De plus, cela devient cause de problème.
- **Ne lavez pas et ne réutilisez pas le filtre HEPA.**
Il perd totalement son efficacité et présente des risques d'électrocution ou de dysfonctionnement.
- **Séchez bien le filtre à charbon actif lavable après son nettoyage.**
Un filtre mouillé risque d'endommager le filtre HEPA, et risque de dégager une forte odeur.
- **Lors du transport de l'appareil, tenez-le toujours par la poignée au dos de l'appareil.**
L'appareil risque de se détacher s'il est tenu par le panneau avant pendant le transport, risquant ainsi de tomber et de provoquer des blessures corporelles.

LIMITATIONS DE LA TÉLÉCOMMANDE

N'UTILISEZ PAS LA TÉLÉCOMMANDE DANS LES ENDROITS SUIVANTS

- **Les endroits où un éclairage fluorescent ou spontané est utilisé.**
La télécommande risque de ne pas fonctionner. Dans ce cas, éloignez-vous de cet éclairage ou changez d'orientation.
- **Les emplacements exposés au soleil**
L'appareil risque de ne pas recevoir les signaux de la télécommande.
L'appareil risque de ne pas répondre aux signaux de la télécommande si l'extrémité du tube fluorescent devient noire ou si le tube commence à clignoter en fin de vie; cependant, cela ne signifie pas un dysfonctionnement de la télécommande ou de l'unité principale. Dans ce cas, remplacez le tube fluorescent par un neuf.

GUIDE D'INSTALLATION

- **Veillez laisser un espace libre d'au moins 2m (7 pieds) de diamètre autour de l'appareil vide de tout dispositif émettant des ondes électriques comme les téléviseurs, les radios ou les radios-réveils radiocommandées.**
Dans le cas contraire, des interférences électriques risquent de se produire.
- **Placez l'appareil au moins à 60cm (2 pieds) des murs.**
Dans le cas contraire, le moteur risque de surchauffer et de causer un dysfonctionnement.
- **Évitez les emplacements où les capteurs sont exposés directement au vent.**
L'appareil risque de ne pas fonctionner correctement.
- **Évitez les emplacements où des rideaux risquent d'entrer en contact avec les ouïes d'entrée ou d'évacuation.**
Les rideaux, etc., risquent de se salir ou un dysfonctionnement risque de se produire.

FONCTIONNEMENT EFFICACE

- **Placez l'appareil sur une surface stable dans un endroit aéré.**

GUIDE D'UTILISATION DU FILTRE

- Ne lavez pas et ne réutilisez pas le filtre HEPA. Il perd totalement son efficacité et présente des risques d'électrocution.
- Le mur situé derrière l'ouïe d'évacuation peut devenir sale avec le temps. Lors d'une utilisation pendant une longue période de temps au même endroit, utilisez une feuille de vinyle, etc., pour empêcher que le mur ne se salisse. De plus, nettoyez le mur, etc. périodiquement.

DÉSIGNATION DES PIÈCES

AFFICHAGE DE L'UNITÉ PRINCIPALE

Voyant de fonctionnement
AUTO

Voyant de vitesse
du ventilateur

Voyants indicateurs de temporisation d'arrêt
(à régler en utilisant la télécommande)

Voyant de filtre

Si le voyant de filtre s'allume, le filtre à charbon actif doit être nettoyé.

VOYANT INDICATEUR DE PLASMACLUSTER

L'opération de groupe d'ions est sélectionnée à l'aide de la télécommande.

Voyant bleu

Lorsque le fonctionnement en d'ions Plasmacluster est en mode de nettoyage ou d'ions Plasmacluster AUTO et que l'air de la pièce est sale, ce voyant s'allume et l'appareil fonctionne en mode de nettoyage.

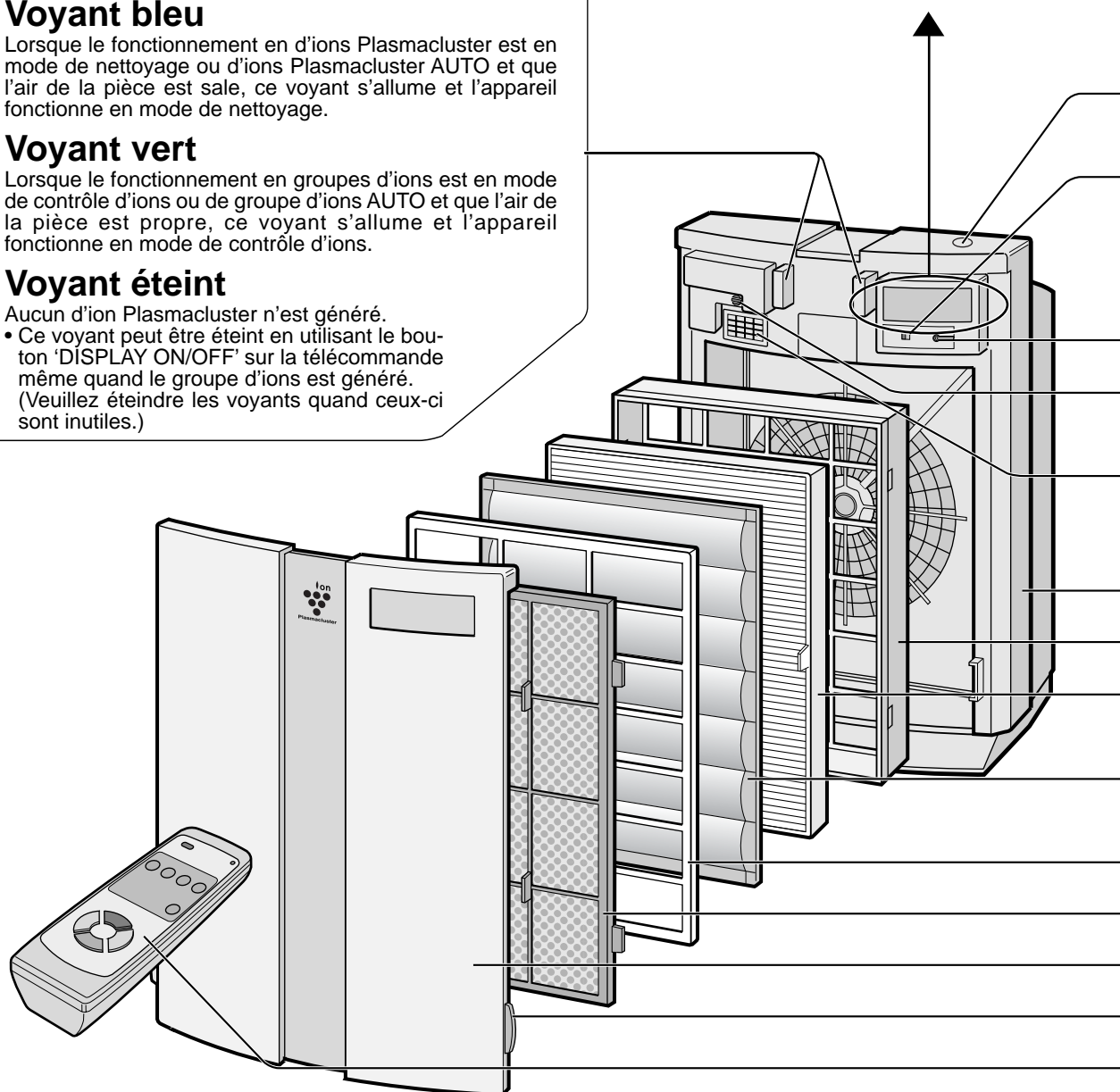
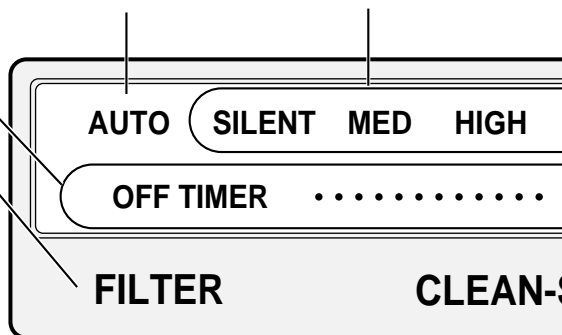
Voyant vert

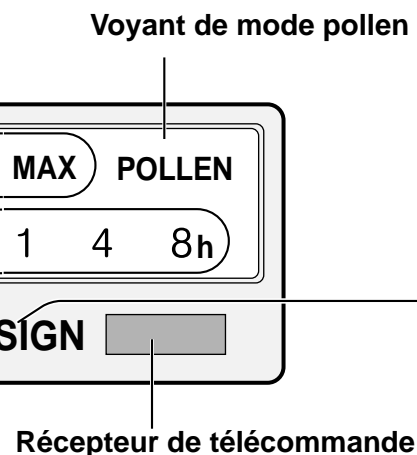
Lorsque le fonctionnement en groupes d'ions est en mode de contrôle d'ions ou de groupe d'ions AUTO et que l'air de la pièce est propre, ce voyant s'allume et l'appareil fonctionne en mode de contrôle d'ions.

Voyant éteint

Aucun d'ion Plasmacluster n'est généré.

- Ce voyant peut être éteint en utilisant le bouton 'DISPLAY ON/OFF' sur la télécommande même quand le groupe d'ions est généré. (Veuillez éteindre les voyants quand ceux-ci sont inutiles.)





Voyant CLEAN-SIGN (indication d'état de propreté)

La couleur change selon l'état de l'air.

Propre (vert) Légèrement sale (orange) Très sale (rouge)

CLEAN-SIGN → CLEAN-SIGN → CLEAN-SIGN

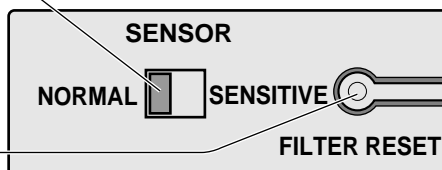
À PROPOS DU VOYANT INDICATEUR DE PROPRETÉ (CLEAN-SIGN)

- Les capteurs affichent CLEAN-SIGN suivant l'état de l'environnement au moment du branchement du câble d'alimentation dans une prise du secteur et ce qu'il détecte ensuite.
- Lorsque l'air est extrêmement impur au moment où la fiche d'alimentation est introduite, il est possible que le CLEAN-SIGN s'allume en vert, étant donné que cet état d'impureté sert d'environnement de référence en fonction duquel le capteur juge le taux d'impureté. Dans ce cas, faites fonctionner l'appareil premièrement en mode de nettoyage pendant quelque temps, puis commutez sur le mode de fonctionnement souhaité. Voyez page F-13
- Pour réinitialiser le taux d'impureté de base du voyant CLEAN-SIGN, retirez et insérez la fiche d'alimentation.
- Le voyant CLEAN-SIGN peut être éteint à l'aide du bouton "DISPLAY ON/OFF" de la télécommande. Voyez page F-13

Bouton de sélection MODE-ON/OFF Voyez page F-12
(S'utilise pour sélectionner le mode de fonctionnement ou pour arrêter l'appareil)

Sélecteur de sensibilité de capteur

La sensibilité de l'appareil aux odeurs et à la poussière est réglable. Cette fonction est réglée en usine sur "NORMAL", et il est recommandé d'utiliser cet appareil avec ce réglage. Réglez la sensibilité sur "SENSITIVE" si celle-ci semble trop faible en fonction des conditions ambiantes.



Bouton de réinitialisation du filtre

Capteur d'odeur

Détecte les odeurs telles que la fumée de tabac, d'encens, d'animaux domestiques, de cosmétiques, etc.

Couvercle de capteur

Capteur de poussière

Détecte la poussière, la fumée, le pollen, la poussière domestique, etc. Voyez page F-16, F-18

Unité principale

Cadre de filtre

Filtre HEPA (blanc) Voyez page F-17

(Filtre de dépolluissage avec film antibactérien en apatite recouvrant la surface avant)

Filtre à charbon actif lavable (noir)

(Filtre Désodorisant) Voyez Page F-14

Séparateur de filtre

Pré-filtre

Panneau avant

Crochet

Télécommande Voyez page F-13

*Avant d'appuyer sur le bouton de réinitialisation de filtre, assurez-vous que l'appareil est branché.

La télécommande comporte aussi un bouton de réinitialisation de filtre.

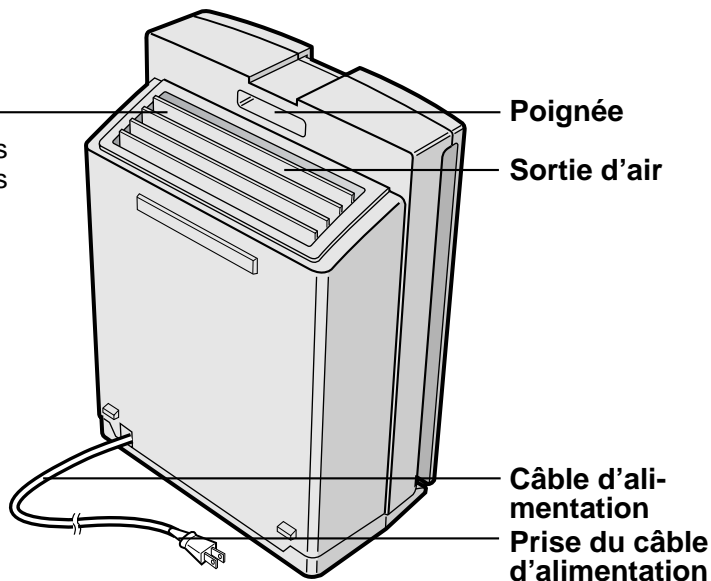
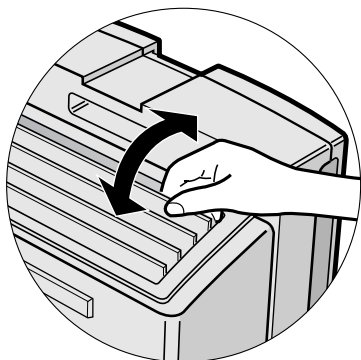
Après avoir nettoyé et réinséré le filtre à charbon actif lavable, appuyez sur la touche de réinitialisation du filtre.

DÉSIGNATION DES PIÈCES

DOS DE L'APPAREIL

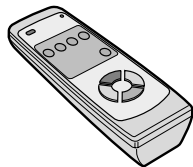
Volet d'air purifié

- La sortie d'air purifié peut être orientée dans toutes les directions indiquées par les flèches, en fonction de votre choix.



ACCESSOIRES

Télécommande (1 unité)



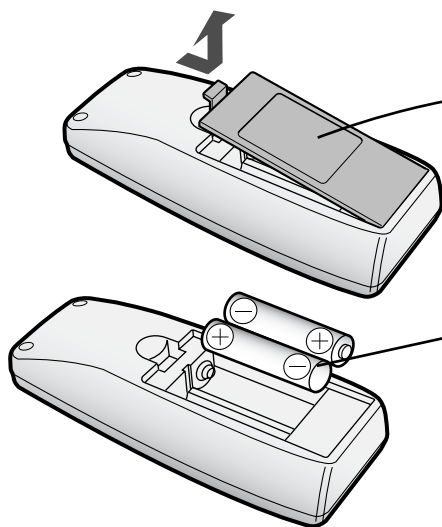
Piles (AA X 2)



- Manuel d'utilisation

PRÉPARATION

MISE EN PLACE DES PILES DANS LA TÉLÉCOMMANDE



1

Retirez le couvercle arrière

Pressez et faites glisser le couvercle arrière pour le retirer.

2

Introduisez les piles

Introduisez les piles en positionnant \oplus et \ominus comme illustré ci-dessous.

3

Refermez le couvercle arrière

Au sujet des piles

- Les piles de cette télécommande sont destinées uniquement à l'utilisation initiale. Remplacez les piles si nécessaire.
- Une utilisation incorrecte des piles peut causer une fuite du liquide des piles et/ou des dommages. Prenez les précautions suivantes lors de la manipulation :
 - Lors du remplacement des piles, remplacez les deux piles par des neuves du même type. (Utilisez des 2 piles au manganèse AA .)
 - Lorsque l'appareil ou la télécommande ne va pas être utilisé pendant une longue période, retirez les piles. (Cela évitera tout risque de dysfonctionnement de la télécommande causé par une fuite du liquide des piles.)
- Les piles de l'accessoire sont destinées uniquement à l'utilisation initiale et risquent d'être épuisées dans l'année.

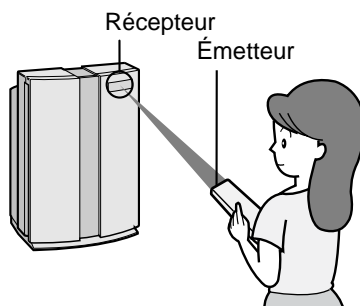
FRANÇAIS

FONCTIONNEMENT DE LA TÉLÉCOMMANDE

- Utilisez la télécommande en la tenant face à l'unité principale (récepteur).
- La portée du signal est d'environ 7m (en face).
- Vérifiez qu'aucun obstacle ne se trouve entre la télécommande et l'appareil.
- Un bip est émis de l'unité principale lorsqu'un signal est reçu.

NOTE

- Évitez de faire tomber ou d'endommager la télécommande. De plus, évitez de la mouiller, de l'exposer au soleil ou à la chaleur, etc., car celle-ci risque de ne pas fonctionner.



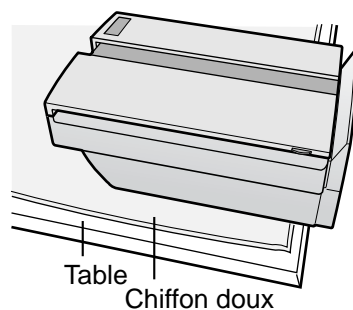
INSTALLATION DU FILTRE

Pour maintenir la qualité des filtres, ceux-ci sont placés dans l'unité principale à l'intérieur de sacs en plastique. N'oubliez pas de retirer les filtres des sacs avant d'utiliser l'appareil.

1 Retrait du filtre

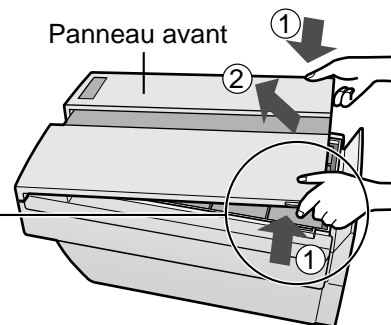
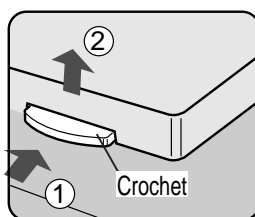
1 Placez l'appareil avec la façade vers le haut.

Couchez l'appareil sur une surface plane telle qu'une table, en prenant garde de ne pas pincer le câble d'alimentation à l'arrière de l'appareil.

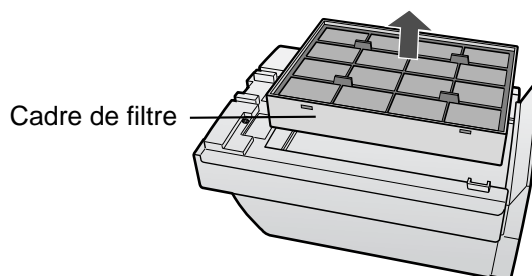


2 Retirez le panneau avant.

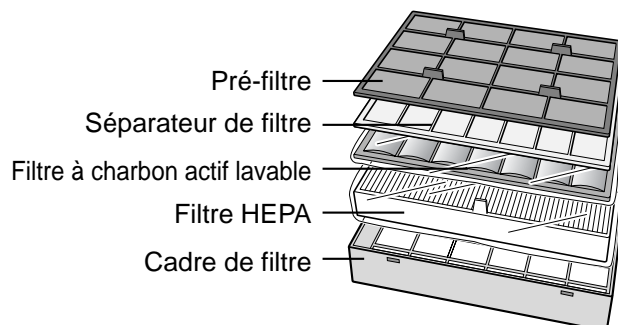
Appuyez sur le crochet au bas du panneau avant et soulevez-le pour le retirer.



3 Extrayez le cadre de filtre et retirez le pré-filtre et le séparateur de filtre.



4 Retirez le filtre à charbon actif lavable (noir) et le filtre HEPA (blanc) des sacs en plastique.

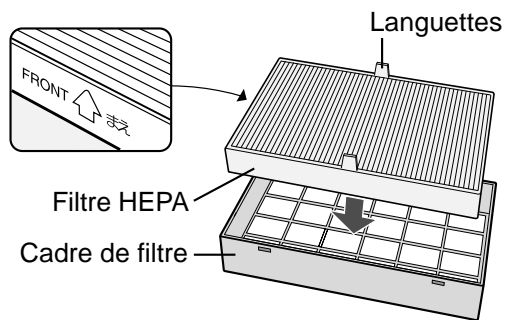


2 Installation du filtre

1 Après avoir retiré le filtre HEPA du sac en plastique, placez-le dans le cadre de filtre avec les languettes vers le haut.

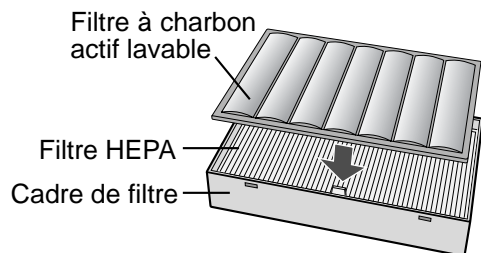
(Voyez le schéma à droite.)

Assurez-vous que le filtre est installé correctement. N'installez pas le filtre à l'envers sinon l'appareil ne fonctionnera pas correctement.



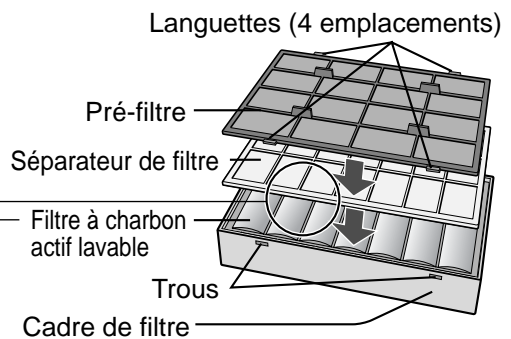
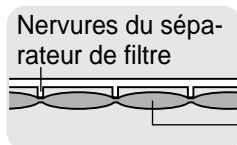
2 Après avoir retiré le filtre à charbon actif lavable du sac en plastique, placez-le dans le cadre du filtre au dessus du filtre HEPA.

(Voyez le schéma à droite.)



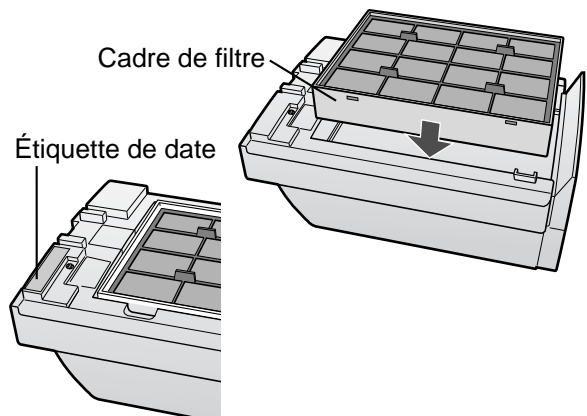
3 Ensuite, placez le séparateur de filtre puis le pré-filtre dans le cadre de filtre.

- Placez le séparateur de filtre avec les nervures vers le bas comme indiqué sur l'illustration à droite.
- Introduisez les languettes (4) du pré-filtre dans les encoches correspondantes sur le cadre de filtre.
- Montez le cadre de filtre à droite de l'unité principale comme indiqué sur l'illustration.



4 Remplissez la date de début d'utilisation sur l'étiquette de date, qui est située sur le coin gauche supérieur de l'unité principale. Montez le panneau avant sur l'unité principale.

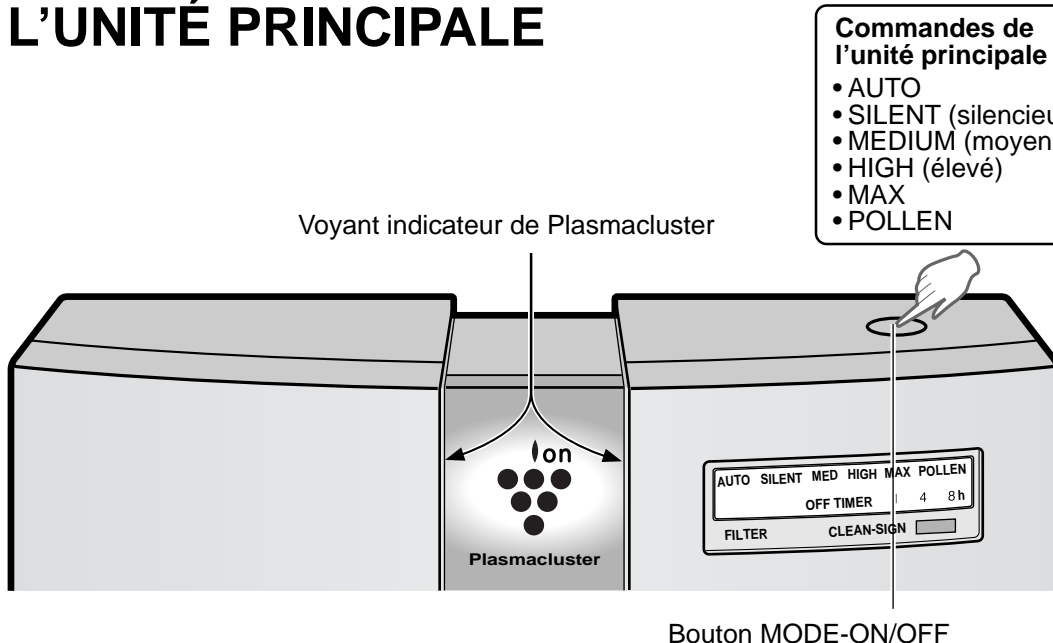
Utilisez la date pour déterminer la période de remplacement du filtre.



FONCTIONNEMENT

Pendant les 30 premières secondes suivant le branchement du câble d'alimentation dans une prise du secteur murale, l'appareil vérifie les conditions de l'air. Si l'appareil est en marche sur ON pendant cette période, le voyant CLEAN-SIGN clignote alternativement en vert, en orange et en rouge.

FONCTIONNEMENT DE L'UNITÉ PRINCIPALE



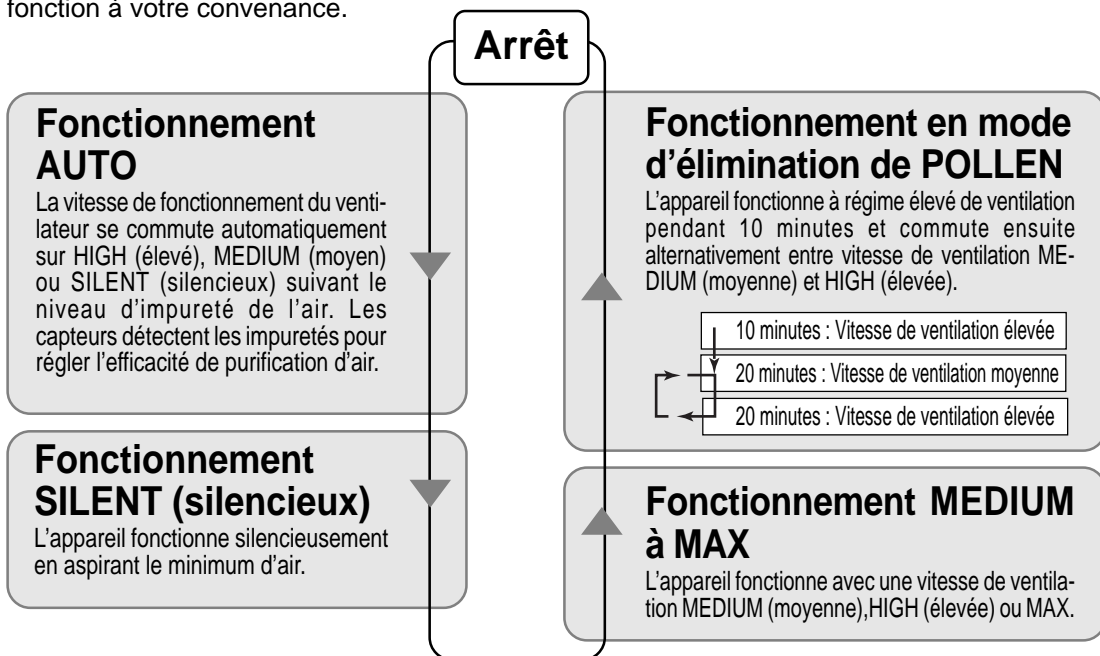
L'appareil commence à fonctionner lorsque l'on appuie sur le bouton MODE-ON/OFF.

L'appareil démarrera en fonctionnement AUTO. (Vitesse de ventilation)

- En cours de fonctionnement, le voyant indicateur de Plasmacluster s'allume.

Le mode de fonctionnement se commute en appuyant sur le bouton MODE-ON/OFF jusqu'à ce que la commande désirée soit activée. (Le voyant de la commande désirée s'allume.)

Pour obtenir les meilleurs résultats de la condition de la pièce, placez la commande de fonction à votre convenance.



Fonctions disponibles avec la télécommande

- AUTO
- MANUAL (manuel)
- POLLEN
- OFF TIMER (minuterie de désactivation)
- DISPLAY ON/OFF (activation/désactivation des voyants)

Sélection du mode d'ions Plasmacluster

- AUTO
- CLEAN (nettoyage)
- ION CONTROL (contrôle d'ions)
- OFF (désactivé)

FONCTIONNEMENT DE LA TÉLÉCOMMANDE

- Lorsque le bouton POWER ON/OFF est enfoncé, un bip court est émis et l'opération démarre. Comme le mode de fonctionnement initial, il passe automatiquement au mode AUTO (vitesse de ventilation) et au mode d'ions Plasmacluster AUTO.
- Pour arrêter l'appareil, appuyez à nouveau sur le bouton POWER ON/OFF. Un bip long retentit et l'appareil s'arrête.

Bouton POWER ON/OFF

S'utilise pour lancer le fonctionnement AUTO de l'appareil. Un bip court signale que l'appareil est en marche et un bip long signifie que l'appareil est arrêté.

Bouton Auto (Vitesse du ventilateur)

La vitesse de ventilation se commut automatiquement suivant l'importance d'impureté de l'air.

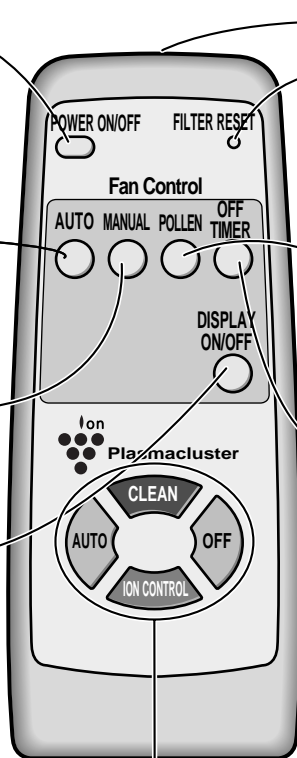
Bouton de commande manuelle (Vitesse de ventilation)

La vitesse de ventilation peut être commutée entre silencieux, moyen, fort et maxi.

Bouton de commande des voyants (DISPLAY ON/OFF)

Active ou désactive les voyants de l'indicateur de Plasmacluster et l'indicateur de propreté CLEAN-SIGN.

- Le voyant de groupes d'ions s'allume pendant environ 3 secondes en appuyant sur le bouton de sélection de groupes d'ions (à l'exception du bouton OFF) en mode voyants éteints "Display OFF".



Émetteur

Bouton de réinitialisation du filtre

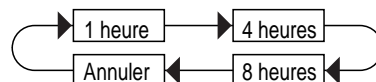
Lorsque vous avez nettoyé le filtre à charbon actif lavable et réinséré dans l'unité principale, appuyez sur le bouton de réinitialisation du filtre avec un objet pointu tel qu'un stylo.

Bouton de commande de mode d'élimination de pollen

L'appareil fonctionne effectivement en mode d'élimination de pollen lorsque l'on suspecte la présence de pollen dans l'air. Voyez page F-12

Bouton de désactivation de la minuterie

S'utilise pour régler la minuterie de désactivation. La durée du réglage commute à chaque pression sur le bouton comme indiqué ci-dessous.



- Le voyant indique le temps restant.
- L'appareil cesse de fonctionner lorsque la minuterie se déclenche.

Sélection du mode d'ions Plasmacluster

Automatique (AUTO)

Cet appareil se commut automatiquement entre les modes de nettoyage et de contrôle d'ions suivant l'importance d'impureté de l'air détectée par les capteurs de poussière et d'odeur. Le mode de nettoyage fonctionne pendant environ 1 minute lorsque la fonction automatique est sélectionnée.

Contrôle d'ions (ION CONTROL)

Lorsque ce bouton est enfoncé, l'appareil fonctionne constamment en mode de contrôle de groupes d'ions. L'équilibrage d'ions est maintenu dans la pièce en augmentant le taux d'ions négatifs. (Le voyant indicateur de Plasmacluster s'allume en vert.)

Nettoyage (CLEAN)

Lorsque ce bouton est enfoncé, l'appareil fonctionne constamment en mode de nettoyage, dans lequel le même nombre d'ions positifs et négatifs sont évacués. (Le voyant indicateur de Plasmacluster s'allume en bleu.)

Désactivé (OFF)

La génération d'ions cesse et le voyant indicateur de Plasmacluster s'éteint.

Si la pièce sent fortement le moisi, faites fonctionner l'appareil en mode de nettoyage.

ENTRETIEN DU FILTRE A CHARBON ACTIF LAVABLE

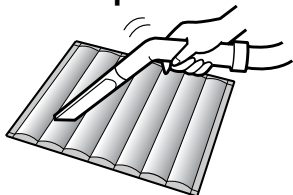
**LAVAGE A MAIN
UNIQUEMENT !
NE SÉCHEZ PAS EN
MACHINE !**

Cycle d'entretien

Si le voyant du filtre s'allume, cela signifie que le filtre doit être nettoyé. Si l'appareil est maintenu en service 24 heures par jour, le voyant du filtre est activé dans les 2 mois environ. Le voyant du filtre sert de référence. Nettoyez le filtre aussi souvent que nécessaire lorsque l'odeur persiste.

- La durée de fonctionnement est enregistrée en continu, même si la fiche d'alimentation est débranchée pour le déplacement de l'appareil vers une autre pièce ou pour toute autre raison.

1 Retirez la saleté visible en utilisant un aspirateur.



2 Remplissez un gros bidon d'eau tiède, ajoutez un détergent ménager doux et agitez.

Diluez comme indiqué sur le bidon de détergent.

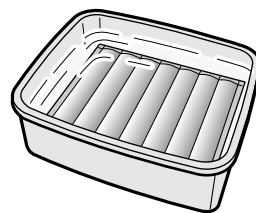


ATTENTION

- N'utilisez que des détergents domestiques doux (pH neutre) pour nettoyer l'appareil.
- Assurez-vous que le filtre à charbon actif lavable n'entre pas en contact direct avec le détergent concentré.

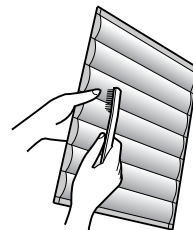
3 Trempez le filtre environ 30 minutes avant de le laver.

Si la surface du filtre est très sale, frottez avec une vieille brosse à dent ou objet similaire.



ATTENTION

Manipulez soigneusement pour éviter d'endommager les particules de charbon actif.



4 Rincez abondamment avec de l'eau propre.

ATTENTION

En cas de rinçage dans un bidon, rincez 3 à 4 fois de sorte que l'odeur soit rincée abondamment du filtre.

Si le rinçage n'est pas effectué abondamment, l'odeur risque de rester.

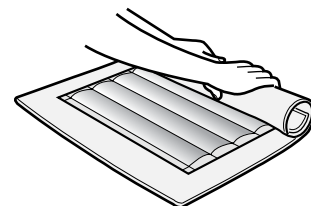


5 Retirez l'excès d'eau.

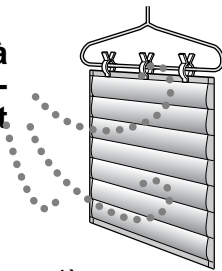
Le filtre sera trempé dans l'eau après rinçage. Pour réduire le temps de séchage, enveloppez le filtre dans une vieille serviette épaisse de sorte que l'eau en excès puisse être éliminée. Le séchage peut durer 1 ou 2 jours.

ATTENTION

Une poudre noire (charbon actif) risque d'adhérer sur la serviette. Elle ne représente pas de danger, mais vous pouvez vouloir utiliser une vieille serviette.



6 Séchez le filtre à l'extérieur, si possible dans un endroit bien aéré.



ATTENTION

- Laissez le filtre sécher complètement. Si l'appareil est utilisé pendant que le filtre est encore humide, l'air évacué de l'unité principale aura une odeur. Le séchage peut durer 1 ou 2 jours.
- Séchez le filtre à l'extérieur dans un endroit bien aéré. Si le filtre est séché à l'intérieur, il risque d'avoir une odeur. De plus, l'eau égouttée du filtre risque de salir votre sol.
- Assurez-vous que le charbon actif ne s'est pas déplacé vers un côté à l'intérieur du filtre. Si c'est le cas, répartissez-le de façon uniforme avec vos doigts.
- Essuyez le filtre comme indiqué sur l'illustration ci-dessus. Le filtre mouillé est lourd. Fixez-le fermement pour le séchage afin qu'il ne tombe pas.
- Le filtre sèche plus lentement en hiver, pendant la pluie. Lavez-le un jour où il fait beau et séchez-le au soleil. Déplacez-le à l'intérieur la nuit pour éviter le gel.

7 Réinstallation du filtre et Redémarrage.

Réinstallez le filtre comme indiqué page F-13.

- L'air du filtre peut avoir une odeur jusqu'à ce que le filtre soit complètement sec.

8 Dès que le filtre à charbon actif lavable a été nettoyé, branchez le câble d'alimentation à la prise et utilisez un objet pointu pour activer le bouton de réinitialisation du filtre soit sur la télécommande, soit sur l'unité principale.

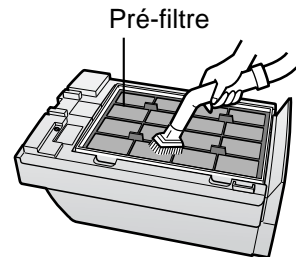
(Veuillez consulter les pages F-6, F-7, F-13)

- Dès que le bouton de réinitialisation du filtre a été enfoncé, vous entendrez un bip qui signifie que l'appareil a été réinitialisé.
- Le voyant du filtre s'éteint ensuite automatiquement.
- Si vous appuyez sur le bouton de réinitialisation de l'unité principale, retirez d'abord le panneau avant.



NETTOYAGE DU FILTRE

Nettoyez la surface supérieure du pré-filtre avec un aspirateur.



NOTE

- Le filtre HEPA est très fragile. Ne le mettez pas en contact direct avec l'embout de l'aspirateur et ne le lavez pas à l'eau. Le filtre HEPA ne doit jamais être lavé ou nettoyé.

SOIN ET ENTRETIEN

(Afin de maintenir une efficacité optimale de ce produit, nettoyez périodiquement l'appareil ainsi que son capteur et les filtres.)

Lors du nettoyage de l'appareil, débranchez le câble d'alimentation, et ne manipulez jamais la fiche avec des mains mouillées. Dans le cas contraire, cela peut provoquer une électrocution et/ou des blessures corporelles.

UNITÉ PRINCIPALE

Afin d'éviter l'accumulation de saleté ou de souillures sur l'unité principale, nettoyez aussi souvent que nécessaire. Les salissures rebelles peuvent être difficiles à nettoyer.

Essayez avec un chiffon sec et doux

Pour les salissures rebelles ou la saleté, essayez avec un chiffon doux humide ou imbibé d'eau tiède.

N'utilisez pas de solvants

Le benzène, diluant de peinture, pâte à polir, etc., risquent d'endommager la surface de l'appareil.

N'utilisez pas de détergents

Les détergents risquent d'endommager la surface de l'appareil.

Ne mouillez pas l'appareil

Ne projetez jamais d'eau sur l'appareil.

CAPTEUR DE POUSSIÈRE CAPTEUR D'ODEUR

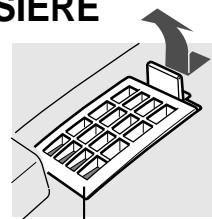
Les cycles d'entretien des capteurs d'odeur et de poussière est d'une fois tous les 3 mois.

La sensibilité des capteurs devient instable s'ils sont sales ou obturés. Nettoyez les composants de la façon montrée ci-dessous.

CAPTEUR DE POUSSIÈRE

1 Retirez le panneau avant et détachez le filtre du capteur

- Retirez le filtre du capteur tout en tirant sur la languette du couvercle de capteur.

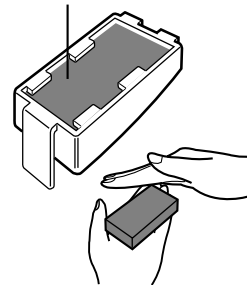


2 Éliminez toute poussière du filtre du capteur.

- Détachez le filtre du capteur et tapotez-le légèrement à la main pour retirer la poussière. Si ce dernier est très sale, lavez-le à l'eau et laissez-le bien sécher.

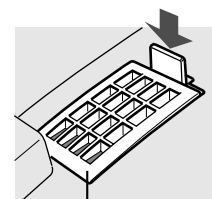
Couvercle de capteur

Filtre de capteur



3 Placez le filtre du capteur dans le couvercle, mettez-le en place dans l'unité principale et fixez le panneau avant.

- Le filtre du capteur peut être mis en place dans les deux sens.



Couvercle de capteur

ATTENTION

- N'oubliez pas de réinstaller le couvercle du capteur avant de redémarrer l'appareil.
- N'introduisez pas le moindre objet dans le filtre. Cela peut causer un dysfonctionnement ou endommager l'appareil.

Ouverture du capteur



CAPTEUR D'ODEUR

Retirez la poussière des surfaces de l'ouverture de capteur en utilisant un aspirateur.

PÉRIODE DE REMPLACEMENT DES FILTRES

- La période de remplacement diffère suivant les heures d'utilisation et l'emplacement de l'installation.
- Il est possible que certaines particules porteuses de mauvaises odeurs soient absorbées par les filtres à ce niveau et filtrées puis évacuées par les orifices de ventilation sous forme d'odeurs.

Il est possible que cette odeur devienne trop forte après quelques mois en fonction des conditions d'utilisation.

Si de la poussière ou des odeurs ne peuvent être éliminées facilement, remplacez les filtres.

(Veuillez vous référer à la page F-1 ENTRETIEN DU FILTRE)

Guide de remplacement des filtres

- La durée de vie du filtre et la période de remplacement est déterminée en considérant que la fumée de 10 cigarettes par jour réduit la puissance d'élimination de poussière et de désodorisation de moitié par rapport à des filtres neufs .
Pour plus de détail sur la durée de vie des filtres, veuillez consulter votre revendeur Sharp.

• Filtre HEPA	Environ 5 ans après ouverture
• Filtre à charbon actif lavable	Environ 5 ans après ouverture

REEMPLACEMENT DES FILTRES

1 Voyez page F-10 pour les instructions d'installation des filtres en cas de remplacement.

2 Après le remplacement des filtres :

Appuyez sur le bouton de réinitialisation sur la télécommande avec le câble d'alimentation branché à la prise secteur.

Un bip court est émis et les heures de service stockées dans la mémoire seront réinitialisées. Le voyant du filtre s'éteint ensuite automatiquement.

3 Remplissez la date de début d'utilisation des filtres sur l'étiquette de date, située près du coin supérieur gauche de l'unité principale.

Remplacement des filtres

- Filtre HEPA : 1 unité
 - Filtre à charbon actif lavable : 1 unité
- Modèle : FZ-N60HFU

Pour le remplacement des filtres, contactez Sharp pour information

(U.S.A.) 1-800-BE-SHARP ou le site Internet www.sharpusa.com

(Canada) (905)568-7140 ou le site Internet www.sharp.ca

Élimination des filtres

Veuillez- vous débarrasser des filtres remplacés selon la législation locale.

Matériaux de filtre HEPA :

- Filtre : Polypropylène
- Cadre : Polyester

Matériaux du filtre à charbon actif lavable :

- Désodorisant : Charbon actif
- Grille : Polypropylène 60%, Polyester 40%

GUIDE D'UTILISATION

RECOMMANDATIONS POUR LE CAPTEUR D'ODEUR

- Le capteur d'odeur réagit aux odeurs telles que celles de la fumée de tabac ou d'animal domestique, ainsi qu'aux autres odeurs telles que celles d'insecticides, de cosmétiques, d'aérosols, d'alcool et aux brusques changements de température ou d'humidité.
- Lorsque l'appareil est en fonctionnement automatique et que des produits similaires sont utilisés dans une pièce fermée, le capteur réagit en augmentant le débit d'air. Si vous ne souhaitez pas une augmentation de débit d'air, modifiez la sensibilité du capteur.

RECOMMANDATIONS POUR LE CAPTEUR DE POUSSIÈRE

- Le capteur de poussière détecte les particules de poussière dans l'air de la pièce, telles que celles de fumée de cigarette et poussière domestique.
- Comparée à la fumée de cigarette, la quantité de poussière libérée en nettoyant un tapis peut être trop faible pour être détectée par le capteur de poussière. Donc, la quantité de poussière visible à l'oeil nu peut être différente de l'indication du voyant CLEAN-SIGN.

RÉINITIALISATION DU FILTRE

- Après le nettoyage ou le remplacement du filtre à charbon actif lavable, n'oubliez pas de rebrancher le câble d'alimentation à la prise et utilisez un objet pointu pour la réinitialisation de filtre soit sur la télécommande, soit sur l'unité principale.
Dès que le bouton de réinitialisation du filtre a été enfoncé, vous entendrez un bip qui signifie que l'appareil a été réinitialisé. Si le voyant du filtre est allumé, il s'éteint automatiquement.

RECOMMANDATION POUR LE FILTRE A CHARBON ACTIF LAVABLE

- | | | |
|--|---|--|
| • Ce filtre peut-il être lavé ?
Quand dois-je laver ce filtre ? | ► | • Oui ! Le filtre charbon actif est lavable.
En règle générale, vous devez le laver tous les 2 mois ou si l'odeur persiste. |
| • Le lavage va-t-il améliorer l'efficacité du filtre ? | ► | • Avec le temps le filtre va perdre sa capacité désodorisante. Lorsqu'il est lavé, le filtre sera restauré à un niveau de travail de désodorisation presque neuf. |
| • Quand le filtre à charbon actif lavable doit-il être remplacé ? | ► | • Sharp recommande de remplacer les filtres 5 ans après l'ouverture.
Même si le filtre est lavé régulièrement (tous les 2 mois), le filtre à charbon actif lavable doit normalement être remplacé 5 ans après l'ouverture de son emballage. Remplacez le filtre HEPA en même temps que le filtre à charbon actif lavable étant donné que l'efficacité désodorisante diminuera lentement après des lavages répétés. |

Veillez vous référer à la page F-14 pour les instructions de nettoyage du filtre à charbon actif lavable.

RÉSOLUTION DES PROBLÈMES

Avant de faire appel au SAV, vérifiez les symptômes ci-dessous pour déterminer une solution possible, car le problème n'est peut-être pas un dysfonctionnement de l'appareil.

SYMPTÔMES	SOLUTIONS (pas un dysfonctionnement)
La télécommande ne fonctionne pas.	<ul style="list-style-type: none"> • Est-ce que les piles sont à plat ? • Est-ce que les piles sont insérées correctement ? • Est-ce qu'un éclairage fluorescent clignote dans la pièce parce que sa durée de vie est atteinte ? (Veuillez vous référer à la page F-5, F-9)
Les odeurs et la fumée ne sont pas éliminées.	<ul style="list-style-type: none"> • Nettoyez les filtres s'ils sont très sales. (Veuillez vous référer à la page F-14, F-15)
Le voyant CLEAN-SIGN s'allume en vert même si l'air est sale.	<ul style="list-style-type: none"> • Est-ce que l'ouverture du capteur d'odeur est bouchée ou le filtre du capteur obturé ? (Veuillez vous référer à la page F-16) • L'air pourrait être pollué au moment où l'appareil a été branché. (Veuillez vous référer à la page F-7)
Le voyant CLEAN-SIGN s'allume en orange ou rouge même si l'air est propre.	<ul style="list-style-type: none"> • Est-ce que le filtre du capteur est sale ou obturé ? La sensibilité des capteurs devient instable lorsque l'ouverture du capteur de poussière est sale ou obturée. Éliminez la poussière qui souille le filtre du capteur. (Veuillez vous référer à la page F-16)
Le voyant indicateur de Plasmacluster reste vert (bleu) et ne change pas.	<ul style="list-style-type: none"> • En mode de nettoyage (ou de contrôle d'ions), le voyant indicateur de Plasmacluster ne change pas de couleur.
Un son " clic " ou " tic " est émis par l'appareil.	<ul style="list-style-type: none"> • C'est le son qui est émis lorsque l'appareil est en mode de contrôle d'ions. Si le bruit est gênant, éloignez l'appareil. • C'est le son qui est émis lorsque l'appareil est en mode de génération de groupes d'ions. Si le son est gênant, empêche de dormir, éloignez l'appareil.
L'appareil peut parfois émettre un bruit de tic-tac et d'autres fois pas.	<ul style="list-style-type: none"> • Le son est parfois faible, fort ou inexistant, mais l'action d'ions reste la même.
L'air refoulé ne sent pas bon.	<ul style="list-style-type: none"> • Est-ce que les filtres sont très sales ? Entretenez le filtre à charbon actif lavable ou remplacez les filtres. (Veuillez vous référer à la page F-14, F-17) • Est-ce que le filtre à charbon actif lavable a été bien séché après le nettoyage ? • L'ozone en faible concentration généré par le générateur d'ions a peut-être une odeur. Cela ne représente aucun danger pour le corps humain. De plus, l'ozone se décompose rapidement et donc ne s'accumule pas dans la pièce.
L'appareil ne fonctionne pas même lorsque vous fumez des cigarettes.	<ul style="list-style-type: none"> • Est-ce que l'appareil est installé dans un endroit difficile aux capteurs à détecter la fumée de cigarette ? • Est-ce que l'ouverture du capteur d'odeur ou de poussière est sale ou bouchée ? (Dans ce cas, nettoyez les ouvertures.) (Veuillez vous référer à la page F-16)
Le voyant de filtre reste allumé après avoir remplacé ou lavé le filtre.	<ul style="list-style-type: none"> • Après le nettoyage ou le remplacement des filtres, rebranchez le câble d'alimentation et appuyez sur le bouton de réinitialisation de filtre sur l'unité principale ou la télécommande. (Veuillez vous référer à la page F-15)
Le voyant indicateur de Plasmacluster ou le voyant CLEAN-SIGN ne s'allume pas.	<ul style="list-style-type: none"> • Est-ce que le mode voyants indicateurs désactivés sur la télécommande est sélectionné ? Si c'est le cas, appuyez sur le bouton DISPLAY ON/OFF sur la télécommande. (Veuillez vous référer à la page F-13)

CARACTÉRISTIQUES

Modèle :		FP-N60CX			
Alimentation		120 V / 60 Hz			
Fonctionnement de la vitesse de ventilation	Réglage de la vitesse du ventilateur	MAXI	ÉLEVÉ	MOYEN	SILENCIEUX
	Puissance nominale	54 W	19 W	9 W	4 W
	Vitesse de ventilation m ³ /min (pi ³ /min)	6,0 (212)	3,7 (131)	2,5 (88)	0,8 (28)
Surface au sol applicable		330 pi ² * (30m ²)			
CADR(poussière/fumée/pollen)		209 / 213 / 205			
Longueur du câble		8,3 pi (2,5m)			
Dimensions		16-3/8 po (L) x 9-7/16 po (P) x 22-1/2 po (H) 415mm (L) x238mm (P) x572mm (H)			
Poids		9,0kg (19,8 lbs)			

*La surface au sol applicable est la surface de fonctionnement de l'appareil à la vitesse de ventilation maximale.

Consommation en veille

Pour être capable de faire fonctionner les circuits électriques lorsque le câble d'alimentation est raccordé au secteur, cet appareil consomme environ 0,8 W en mode veille.

Pour économiser de l'énergie, débranchez le câble d'alimentation lorsque l'appareil n'est pas utilisé.

SHARP®

SHARP ELECTRONICS CORPORATION

Sharp Plaza, mahwah,
New Jersey 07430-2135 U.S.A.

SHARP CORPORATION

Osaka, Japan

SHARP®

SHARP ELECTRONICS OF CANADA LTD.

335 Britannia Road East Mississauga,
Ontario L4Z 1W9 Canada

SHARP CORPORATION

Osaka, Japan

Free Manuals Download Website

<http://myh66.com>

<http://usermanuals.us>

<http://www.somanuals.com>

<http://www.4manuals.cc>

<http://www.manual-lib.com>

<http://www.404manual.com>

<http://www.luxmanual.com>

<http://aubethermostatmanual.com>

Golf course search by state

<http://golfingnear.com>

Email search by domain

<http://emailbydomain.com>

Auto manuals search

<http://auto.somanuals.com>

TV manuals search

<http://tv.somanuals.com>