

M34553T-PTCB

Converter Board for 48-pin 0.5-mm-pitch LQFP (4553 Group)

User's Manual

Keep safety first in your circuit designs!

- Renesas Technology Corporation and Renesas Solutions Corporation put the maximum effort into making semiconductor products better and more reliable, but there is always the possibility that trouble may occur with them. Trouble with semiconductors may lead to personal injury, fire or property damage. Remember to give due consideration to safety when making your circuit designs, with appropriate measures such as (i) placement of substitutive, auxiliary circuits, (ii) use of nonflammable material or (iii) prevention against any malfunction or mishap.

Notes regarding these materials

- These materials are intended as a reference to assist our customers in the selection of the Renesas Technology product best suited to the customer's application; they do not convey any license under any intellectual property rights, or any other rights, belonging to Renesas Technology Corporation, Renesas Solutions Corporation or a third party.
- Renesas Technology Corporation and Renesas Solutions Corporation assume no responsibility for any damage, or infringement of any third-party's rights, originating in the use of any product data, diagrams, charts, programs, algorithms, or circuit application examples contained in these materials.
- All information contained in these materials, including product data, diagrams, charts, programs and algorithms represents information on products at the time of publication of these materials, and are subject to change by Renesas Technology Corporation and Renesas Solutions Corporation without notice due to product improvements or other reasons. It is therefore recommended that customers contact Renesas Technology Corporation, Renesas Solutions Corporation or an authorized Renesas Technology product distributor for the latest product information before purchasing a product listed herein. The information described here may contain technical inaccuracies or typographical errors. Renesas Technology Corporation and Renesas Solutions Corporation assume no responsibility for any damage, liability, or other loss rising from these inaccuracies or errors. Please also pay attention to information published by Renesas Technology Corporation and Renesas Solutions Corporation by various means, including the Renesas home page (<http://www.renesas.com>).
- When using any or all of the information contained in these materials, including product data, diagrams, charts, programs, and algorithms, please be sure to evaluate all information as a total system before making a final decision on the applicability of the information and products. Renesas Technology Corporation and Renesas Solutions Corporation assume no responsibility for any damage, liability or other loss resulting from the information contained herein.
- Renesas Technology semiconductors are not designed or manufactured for use in a device or system that is used under circumstances in which human life is potentially at stake. Please contact Renesas Technology Corporation, Renesas Solutions Corporation or an authorized Renesas Technology product distributor when considering the use of a product contained herein for any specific purposes, such as apparatus or systems for transportation, vehicular, medical, aerospace, nuclear, or undersea repeater use.
- The prior written approval of Renesas Technology Corporation and Renesas Solutions Corporation is necessary to reprint or reproduce in whole or in part these materials.
- If these products or technologies are subject to the Japanese export control restrictions, they must be exported under a license from the Japanese government and cannot be imported into a country other than the approved destination. Any diversion or reexport contrary to the export control laws and regulations of Japan and/or the country of destination is prohibited.
- Please contact Renesas Technology Corporation or Renesas Solutions Corporation for further details on these materials or the products contained therein.

Precautions to be taken when using this product

- This product is a development supporting unit for use in your program development and evaluation stages. In mass-producing your program you have finished developing, be sure to make a judgment on your own risk that it can be put to practical use by performing integration test, evaluation, or some experiment else.
- In no event shall Renesas Solutions Corporation be liable for any consequence arising from the use of this product.
- Renesas Solutions Corporation strives to renovate or provide a workaround for product malfunction at some charge or without charge. However, this does not necessarily mean that Renesas Solutions Corporation guarantees the renovation or the provision under any circumstances.
- This product has been developed by assuming its use for program development and evaluation in laboratories. Therefore, it does not fall under the application of Electrical Appliance and Material Safety Law and protection against electromagnetic interference when used in Japan.



CAUTION

If the requirements shown in the "CAUTION" sentences are ignored, the equipment may cause personal injury or damage to the products.

Renesas Tools Homepage <http://www.renesas.com/en/tools>

1. Outline

The M34553T-PTCB is a converter board for connecting the M34552T2-CPE to a 48-pin 0.5-mm-pitch LQFP (48P6Q-A) foot pattern (4553 Group) with the M34553T-PTCA.

2. Components (See Figure 1)

- | | |
|--|-----|
| (1) M34553T-PTCB converter board | x 1 |
| (2) YQPACK048SD
(made by Tokyo Eletech Corporation) | x 1 |
| (3) NQPACK048SD
(made by Tokyo Eletech Corporation) | x 1 |
| (4) YQ-GUIDE's
(made by Tokyo Eletech Corporation) | x 4 |
| (5) User's manual (This manual) | x 1 |
| (6) User's manual (Japanese) | x 1 |

3. Specifications

Table 1 Specifications

Applicable package	48P6Q-A (48-pin 0.5-mm-pitch LQFP)
Insertion/removal iterations of connector	20 times

4. Usage (See Figure 2)

You can use the M34553T-PTCB for debugging and board mounted evaluation in common by mounting the NQPACK048SD on the target board.

1. For debugging

Mount the NQPACK048SD and the YQPACK048SD in that order on a foot pattern of the target system. Then attach the YQ-GUIDE's and M34553T-PTCB to the YQPACK048SD. Lastly, connect the M34553T-PTCA to the M34553T-PTCB.

2. For board-mounted evaluation

Mount an MCU with PROM (OTP) and the HQPACK048SD (not included) on the NQPACK048SD on the target system. Then secure them with the screws.

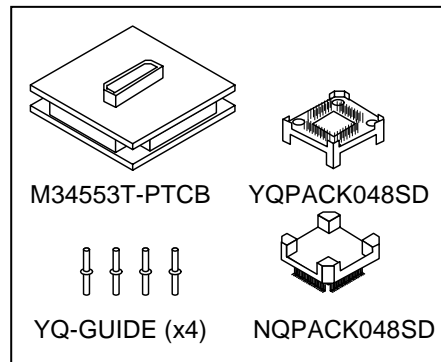


Figure 1 Package Components

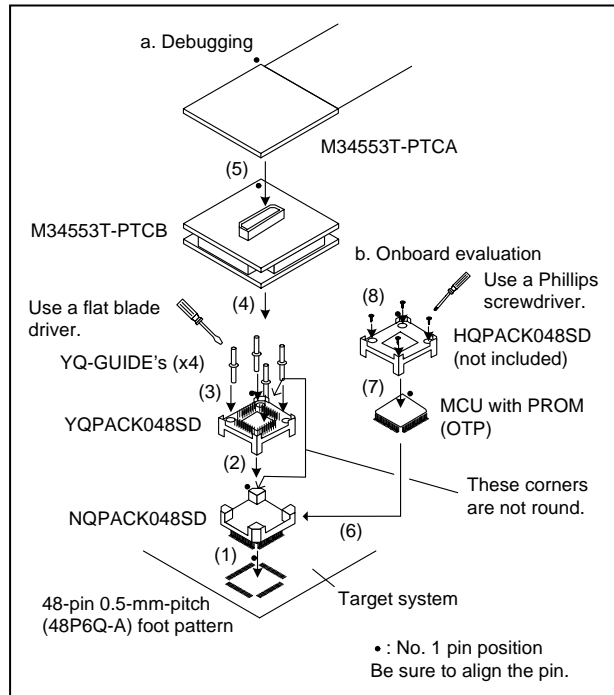


Figure 2 Usage of the M34553T-PTCB

5. Connection Procedure (See Figure 3)

3. Mount the NQPACK048SD.
4. Attach the YQPACK048SD on the NQPACK048SD.
5. Secure the four corners of the YQPACK048SD with the YQ-GUIDE's.

- Do NOT use the screws included with the YQPACK048SD for securing it.
- Do NOT use the driver included with the NQPACK048SD for securing the YQ-GUIDE's. It is used for securing the HQPACK048SD.

6. Attach the M34553T-PTCB to the YQPACK048SD.
7. Connect the M34553T-PTCA converter board to the M34553T-PTCB.

Before using the M34553T-PTCB, be sure to read "7. Precautions" on page 4.

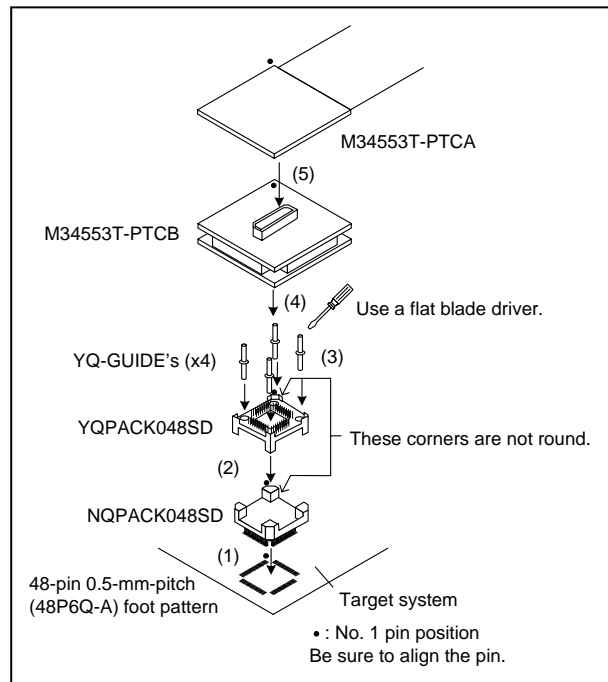


Figure 3 Connection procedure of the M34553T-PTCB

6. External Dimensions and a Sample Foot Pattern (see Figure 4)

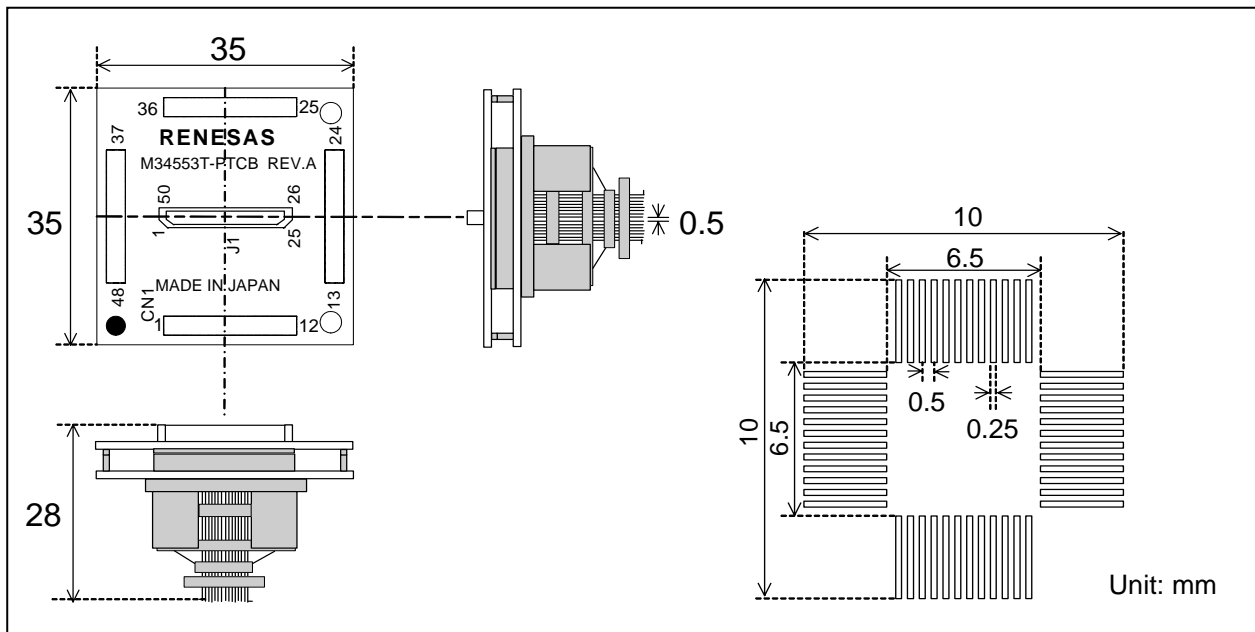


Figure 4 External dimensions and a sample foot pattern

7. Precautions

⚠ CAUTION

Cautions to Be Taken for Handling This Product:



- Be sure to align the pins when connecting the M34553T-PTCB.
- Do not apply excessive stress to the M34553T-PTCB main unit.
- To attach the M34553T-PTCB, be sure to use the YQ-GUIDE's included with this product.
- Do not use the screws included with the YQPACK048SD for securing it.

IMPORTANT

Regarding This Product:

- We cannot accept any request for repair.
- For purchasing the NQPACK048SD, YQPACK048SD and HQPACK048SD, contact the following:
Tokyo Eletech Corporation
<http://www.tetc.co.jp/>
- For inquiries about this product or the contents of this manual, contact your local distributor.
Renesas Tool Homepage <http://www.renesas.com/en/tools>

8. Correspondence of Connectors J1, J2

Table 2 lists the correspondence of the M34553T-PTCB and NQPACK.

Table 2 Correspondence of the M34553T-PTCB and NQPACK

Pin number of connector J1	NQPACK	Signal	Pin number of connector J1	NQPACK	Signal
1	41	SEG12	26	NC	NC
2	42	SEG13	27	45	D5/INT
3	19	XIN	28	46	P20/SEG17
4	20	XOUT	29	47	P21/SEG18
5	21	CNVSS	30	48	P22/SEG19
6	22	XCIN/D6	31	1	P23/SEG20
7	23	XCOU/D7	32	2	P00/SEG21
8	24	RESET*	33	3	P01/SEG22
9	25	COM0	34	4	P02/SEG23
10	26	COM1	35	5	P03/SEG24
11	27	COM2	36	6	P10/SEG25
12	28	COM3	37	7	P11/SEG26
13	29	SEG0/VLC3	38	8	P12/SEG27
14	30	SEG1/VLC2	39	9	P13/SEG28
15	31	SEG2/VLC1	40	10	D0
16	32	SEG3	41	11	D1
17	33	SEG4	42	12	D2
18	34	SEG5	43	13	D3
19	35	SEG6	44	14	D4
20	36	SEG7	45	15	D5/INT
21	37	SEG8	46	16	C/CNTR
22	38	SEG9	47	17	VDD
23	39	SEG10	48	18	VSS
24	40	SEG11	49	43	SEG14
25	NC	NC	50	44	SEG15

(NC: No connection)

Free Manuals Download Website

<http://myh66.com>

<http://usermanuals.us>

<http://www.somanuals.com>

<http://www.4manuals.cc>

<http://www.manual-lib.com>

<http://www.404manual.com>

<http://www.luxmanual.com>

<http://aubethermostatmanual.com>

Golf course search by state

<http://golfingnear.com>

Email search by domain

<http://emailbydomain.com>

Auto manuals search

<http://auto.somanuals.com>

TV manuals search

<http://tv.somanuals.com>