



M34502T-MCU

MCU Board for PC4504 Emulator System

User's Manual

- MS-DOS is a registered trademarks of Microsoft Corporation in the U.S. and other countries.
- IBM and AT are registered trademarks of International Business Machines Corporation.

Keep safety first in your circuit designs!

- Renesas Technology Corporation and Renesas Solutions Corporation put the maximum effort into making semiconductor products better and more reliable, but there is always the possibility that trouble may occur with them. Trouble with semiconductors may lead to personal injury, fire or property damage. Remember to give due consideration to safety when making your circuit designs, with appropriate measures such as (i) placement of substitutive, auxiliary circuits, (ii) use of nonflammable material or (iii) prevention against any malfunction or mishap.

Notes regarding these materials

- These materials are intended as a reference to assist our customers in the selection of the Renesas Technology product best suited to the customer's application; they do not convey any license under any intellectual property rights, or any other rights, belonging to Renesas Technology Corporation, Renesas Solutions Corporation or a third party.
- Renesas Technology Corporation and Renesas Solutions Corporation assume no responsibility for any damage, or infringement of any third-party's rights, originating in the use of any product data, diagrams, charts, programs, algorithms, or circuit application examples contained in these materials.
- All information contained in these materials, including product data, diagrams, charts, programs and algorithms represents information on products at the time of publication of these materials, and are subject to change by Renesas Technology Corporation and Renesas Solutions Corporation without notice due to product improvements or other reasons. It is therefore recommended that customers contact Renesas Technology Corporation, Renesas Solutions Corporation or an authorized Renesas Technology product distributor for the latest product information before purchasing a product listed herein. The information described here may contain technical inaccuracies or typographical errors. Renesas Technology Corporation and Renesas Solutions Corporation assume no responsibility for any damage, liability, or other loss rising from these inaccuracies or errors. Please also pay attention to information published by Renesas Technology Corporation and Renesas Solutions Corporation by various means, including the Renesas home page (<http://www.renesas.com>).
- When using any or all of the information contained in these materials, including product data, diagrams, charts, programs, and algorithms, please be sure to evaluate all information as a total system before making a final decision on the applicability of the information and products. Renesas Technology Corporation and Renesas Solutions Corporation assume no responsibility for any damage, liability or other loss resulting from the information contained herein.
- Renesas Technology semiconductors are not designed or manufactured for use in a device or system that is used under circumstances in which human life is potentially at stake. Please contact Renesas Technology Corporation, Renesas Solutions Corporation or an authorized Renesas Technology product distributor when considering the use of a product contained herein for any specific purposes, such as apparatus or systems for transportation, vehicular, medical, aerospace, nuclear, or undersea repeater use.
- The prior written approval of Renesas Technology Corporation and Renesas Solutions Corporation is necessary to reprint or reproduce in whole or in part these materials.
- If these products or technologies are subject to the Japanese export control restrictions, they must be exported under a license from the Japanese government and cannot be imported into a country other than the approved destination. Any diversion or reexport contrary to the export control laws and regulations of Japan and/or the country of destination is prohibited.
- Please contact Renesas Technology Corporation or Renesas Solutions Corporation for further details on these materials or the products contained therein.

Precautions to be taken when using this product

- This product is a development supporting unit for use in your program development and evaluation stages. In mass-producing your program you have finished developing, be sure to make a judgment on your own risk that it can be put to practical use by performing integration test, evaluation, or some experiment else.
- In no event shall Renesas Solutions Corporation be liable for any consequence arising from the use of this product.
- Renesas Solutions Corporation strives to renovate or provide a workaround for product malfunction at some charge or without charge. However, this does not necessarily mean that Renesas Solutions Corporation guarantees the renovation or the provision under any circumstances.
- This product has been developed by assuming its use for program development and evaluation in laboratories. Therefore, it does not fall under the application of Electrical Appliance and Material Safety Law and protection against electromagnetic interference when used in Japan.

For inquiries about the contents of this document or product, fill in the text file the installer of the emulator debugger generates in the following directory and email to your local distributor.

\\SUPPORT\Product-name\SUPPORT.TXT

Renesas Tools Homepage <http://www.renesas.com/en/tools>

Contents

Preface	4
1. Precautions for Safety	5
1.1 Safety Symbols and Meanings	5
2. Handling Precautions	9
3. Contents of the Package	11
3.1 Package Components of the M34502T-MCU	11
3.2 Other Necessary Products	11
4. M34502T-MCU	13
4.1 Outline	13
4.2 Specifications	14
4.3 Switches	15
4.4 Check Pins	16
4.5 Connectors	16
4.6 Connecting to the Target System	19
4.7 LED	23
5. Precautions to Be Taken When Debugging	25
5.1 Reset	25
5.2 System Clock	25
5.3 Real-time Capability of Timer	25
5.4 Watchdog Timer	26
5.5 Port I/O Timing	26
5.6 Port I/O Characteristics	27
5.7 Pullup Transistor	27
5.8 RAM Backup Mode	28
5.9 Program Execution (G, GB)	29
5.10 External Trigger Signal	31
5.11 Other Precautions	31
6. Connection Circuit Diagram of the M34502T-MCU	33
7. External Dimensions of the Pitch Converter Board	35
7.1 M34501T-PTC	35
Appendix A. How to Request for Repair	36

Preface

This user's manual describes the specifications of the M34502T-MCU emulator board for Renesas 4501, 4502, 4506, 4507 and 4580 Groups of 4-bit single-chip MCUs. The M34502T-MCU is an MCU board for the PC4504 system used by installing on the PC4504 emulator main unit. For emulator main unit PC4504 and emulator debugger M3T-PD45, refer to each user's manual.

To use the product properly

Precautions for Safety





- In both this User's Manual and on the product itself, several icons are used to insure proper handling of this product and also to prevent injuries to you or other persons, or damage to your properties.
- The icons' graphic images and meanings are given in "Chapter 1. Precautions for Safety". Be sure to read this chapter before using the product.

1. Precautions for Safety


In both the user's manual and on the product itself, several icons are used to insure proper handling of this product and also to prevent injuries to you or other persons, or damage to your properties.


This chapter describes the precautions which should be taken in order to use this product safely and properly. Be sure to read this chapter before using this product.


1.1 Safety Symbols and Meanings

	WARNING	If the requirements shown in the "WARNING" sentences are ignored, the equipment may cause serious personal injury or death.
	CAUTION	If the requirements shown in the "CAUTION" sentences are ignored, the equipment may malfunction.
	IMPORTANT	It means important information on using this product.

In addition to the three above, the following are also used as appropriate.

△ means WARNING or CAUTION.
Example:  **CAUTION AGAINST AN ELECTRIC SHOCK**

⊘ means PROHIBITION.
Example:  **DISASSEMBLY PROHIBITED**

● means A FORCIBLE ACTION.
Example:  **UNPLUG THE POWER CABLE FROM THE RECEPTACLE.**

The following pages describe the symbols "WARNING", "CAUTION", and "IMPORTANT".

WARNING

Warning for Installation:



- Do not set this product in water or areas of high humidity. Spilling water or some other liquid into the main unit can cause an unreparable damage.

Warning for Use Environment:

- This equipment is to be used in an environment with a maximum ambient temperature of 35°C. Care should be taken that this temperature is not exceeded.

CAUTION

Cautions to Be Taken for This Product:



- Do not disassemble or modify this product. Disassembling or modifying this product can cause damage.
- Use caution when handling the main unit. Be careful not to apply a mechanical shock.
- Do not pull the emulator by the probe (60-wire half-pitch cable or 26-wire normal-pitch cable).
- Do not use inch-size screws for this equipment. The screws used in this equipment are all ISO (meter-size) type screws. When replacing screws, use same type screws as equipped before.

IMPORTANT

Notes on Differences between an Actual MCU and the Emulator:

- Emulator operation differs from emulation of a mask MCU, as listed below. For details refer to "5. Precautions to Be Taken When Debugging".
 - (1) Reset condition
 - (2) Initial values of internal resource data at power-on
 - (3) Internal ROM and RAM capacities, etc.
 - (4) Electrical characteristics
 - (5) Operation in the RAM backup mode
 - (6) Operation of the watchdog timer function
 - (7) Port I/O Timing
- Therefore, always be sure to evaluate your system with an evaluation MCU (OTP version). Also, be sure to perform board-mounted evaluation with an ES (Engineering Sample) version MCU to make final confirmation of device operation before starting mask production.

Note on the Target System:

- Make sure that the target's supply voltage specification is +3.0 V or +5.0 V. Therefore the target's supply voltage should be in the range of +3.0 V \pm 10% or +5.0 V \pm 10%.

Notes on Connecting the Target System:

- When connecting the emulator probe, be careful to the wrong connection.
- When connecting the emulator probe, be careful to a warp of the cable. The warp may cause breaking the wire.

MEMO

2. Handling Precautions

When using the M34502T-MCU board, pay attention to the following:

(1) About the emulator

To use the M34502T-MCU board, install it on the PC4504 emulator main unit.

(2) About the MCU board installation

Before installing (and removing) the MCU board, always be sure to power off the PC4504 emulator main unit and unplug its power cord from the outlet. For details on how to install and remove the MCU board, see "Chapter 2. Setup" in the PC4504 System User's Manual.

(3) Emulator debugger (M3T-PD45)

When using the M34502T-MCU board to debug your program, you need emulator debugger M3T-PD45 (sold separately). Be sure to use the data file for 4501, 4502 or 4580 Group included with emulator debugger M3T-PD45.

(4) Registers that can be operated from M3T-PD45

Tables 2.1 and 2.2 list the registers that can be operated from M3T-PD45.

Table 2.1 Registers that can be operated for 4501, 4502, 4506 and 4507 Group MCUs

Register	Reference	Modification	Register	Reference	Modification
PC	Yes	Yes	W1	Yes	Yes
CY	Yes	Yes	W2	Yes	Yes
A	Yes	Yes	W6	Yes	Yes
B	Yes	Yes	Q1	Yes	Yes
X	Yes	Yes	K0	Yes	Yes
Y	Yes	Yes	K1	Yes	Yes
Z	Yes	Yes	K2	Yes	Yes
D	Yes	Yes	PU0	-	Yes
E	Yes	Yes	PU1	-	Yes
SP	Yes	-	PU2	-	Yes
V1	Yes	Yes	MR	Yes	Yes
V2	Yes	Yes	R1	-	Yes
I1	Yes	Yes	R2	-	Yes

Table 2.2 Registers that can be operated for 4580 Group MCUs

Register	Reference	Modification	Register	Reference	Modification
PC	Yes	Yes	W2	Yes	Yes
CY	Yes	Yes	W6	Yes	Yes
A	Yes	Yes	Q3	Yes	Yes
B	Yes	Yes	Q4	Yes	Yes
X	Yes	Yes	K0	Yes	Yes
Y	Yes	Yes	K1	Yes	Yes
Z	Yes	Yes	K2	Yes	Yes
D	Yes	Yes	PU0	-	Yes
E	Yes	Yes	PU1	-	Yes
SP	Yes	-	PU2	-	Yes
V1	Yes	Yes	MR	Yes	Yes
V2	Yes	Yes	R1	-	Yes
I1	Yes	Yes	R2	-	Yes
W1	Yes	Yes			

3. Contents of the Package

3.1 Package Components of the M34502T-MCU

Table 3.1 shows the contents of the M34502T-MCU package. When unpacking your M34502T-MCU package, check to see that all of these components are included.

Table 3.1 Contents of the M34502T-MCU

Item	Product name	Quantity
1	M34502T-MCU	1
2	60-wire half-pitch cable (40 cm)	1
3	26-wire normal-pitch cable (10 cm)	1
4	2-wire cable for external trigger signal (50 cm)	1
5	PCA4029 pitch converter board	1
6	OSC-2 oscillator circuit board (J1 connector mounted)	1
7	M34501T-PTC pitch converter board	1
8	M34502T-MCU user's manual (this manual)	1

*1 The M34502T-MCU has an oscillator circuit board OSC-2 (for 4.19 MHz) that is incorporated when shipped from the factory. In addition, it comes with an oscillator circuit board OSC-2, with only a connector J1 mounted.

*2 Keep the packaging carton and cushion material of the M34502T-MCU to transport it for repair or for other purposes in the future.

*3 If you find any item missing or faulty, or any suggestion, contact your local distributor.

3.2 Other Necessary Products

To bring forward programs development on the 4501, 4502, 4506, 4507 and 4580 Group of 4-bit MCUs, the products given below are necessary in addition to those contained in the package above. Get them separately to be ready when necessary.

- (1) Emulator main unit: PC4504
- (2) Emulator debugger: M3T-PD45
- (3) Programming adapter: MS4238-20F
(for serial programming 4501, 4506 and 4580 Group MCUs)
MS4502-24F
(for serial programming 4502 and 4507 Group MCUs)
- (4) Serial programmer: MSP-II or EFP-I

The programming adapters and the serial programmers listed above are products of Suisei Electronics System Co., Ltd. For details on products, contact Suisei Electronics System Co., Ltd.

http://www.suisei.co.jp/index_e.htm

MEMO

4. M34502T-MCU

4.1 Outline

By using with the PC4504 emulator main unit, the M34502T-MCU can make up an emulator system which can be operated by a personal computer. Figure 4.1 shows the development support system configuration for 4502 and 4507 Group MCUs. And Figure 4.2 shows the development support system configuration for 4501, 4506 and 4580 Groups.

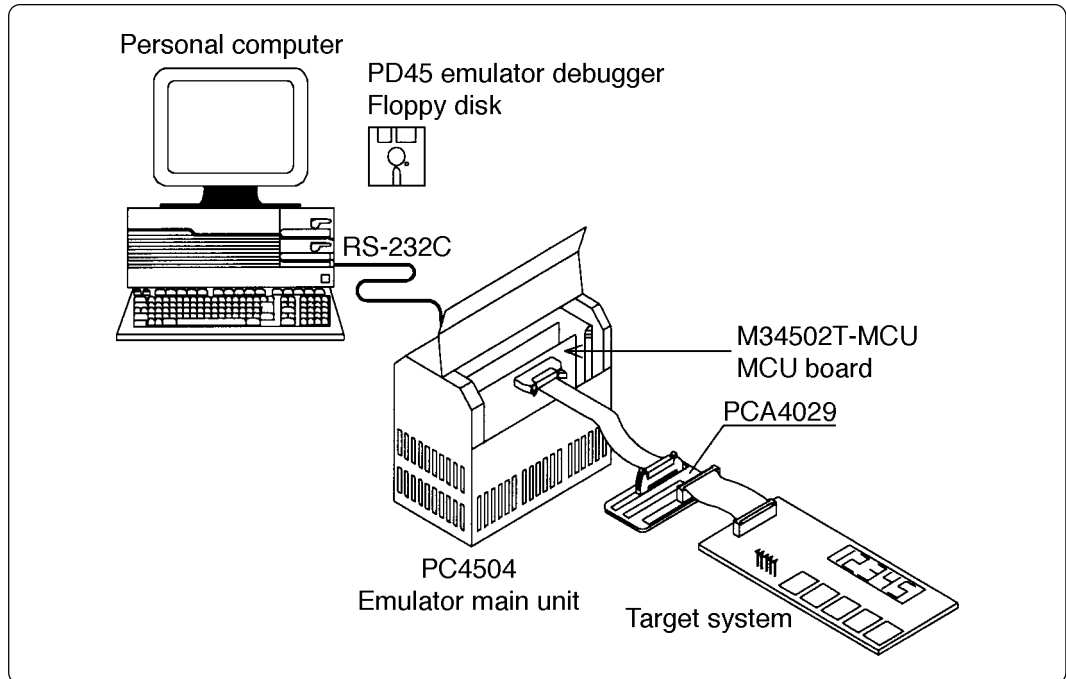


Figure 4.1 Development support system configuration for 4502 and 4507 Group MCUs

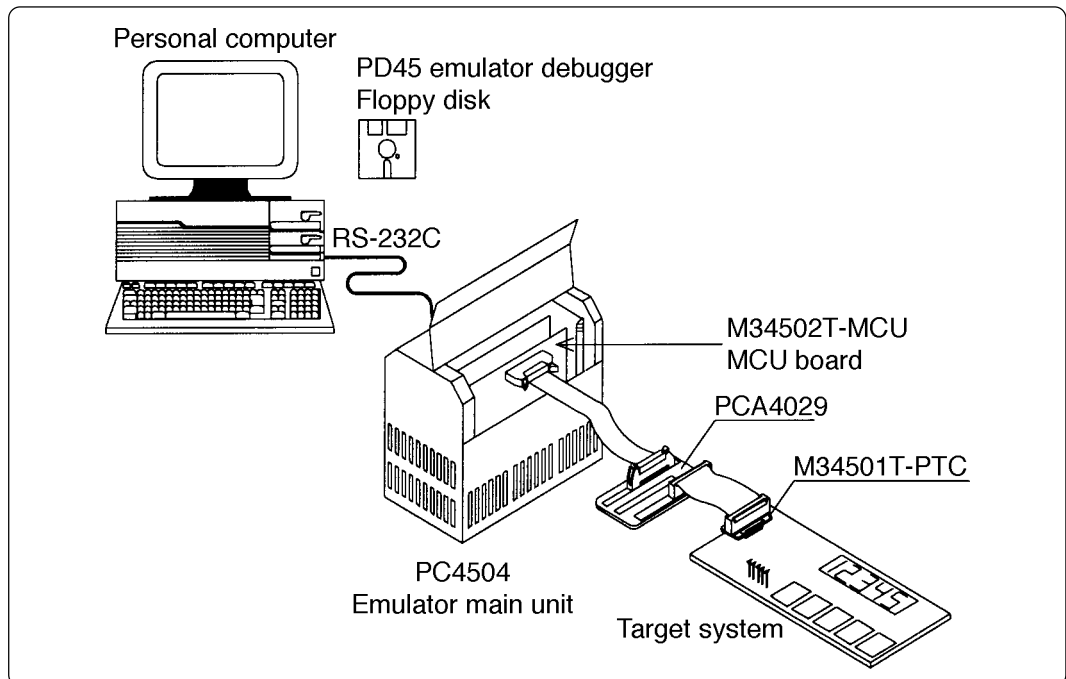


Figure 4.2 Development support system configuration for 4501, 4506 and 4580 Group MCUs

*1 Use the M34501T-PTC pitch converter board for 20SDIP.

For details on the connections above, see "4.6 Connecting to the Target System" (page 19).

4.2 Specifications

Table 4.1 lists specifications of the M34502T-MCU.

Table 4.1 M34502T-MCU specifications

Applicable MCUs	4501 Group				
	4502 Group				
	4506 Group				
	4507 Group				
	4580 Group				
Evaluation MCU	M34502E4FP (mounted)				
Maximum operating clock frequency	System clock: 4.19 MHz (with OSC-2 for 4.19 MHz)* ¹				
	3 V	Default mode		4.4 MHz	
		Low-speed mode			
		Medium-speed mode			3.0 MHz
		High-speed mode			1.5 MHz
	5 V	Default mode		4.4 MHz	
		Low-speed mode			
		Medium-speed mode			
High-speed mode					
Target system voltage	3 V or 5 V				
Power supply	Supplied by the PC4504's internal power supply (+5 V, +12 V)				
Port emulation	Port	Output type	Direction	Device used	
	D ₀ - D ₅	N-channel open drain	Input/output	Input: 74HC4050 Output: 74LS06	
	P0 ₀ - P0 ₃		Input/output		
	P1 ₀ - P1 ₃		Input/output		
	P2 ₀ , P2 ₁	-	Input/output	Input/output: 74HC4066	
Board dimensions	233 (D) x 135 (W) x 1.6 (H) mm				
Operating temperature	5 to 35°C (no dew)				
Product configuration	<ul style="list-style-type: none"> • M34502T-MCU • 60-wire half-pitch cable • 26-wire normal-pitch cable • External trigger cable • PCA4029 • OSC-2 (for changing frequencies) • M34501T-PTC 				

*1 The M34502T-MCU has an oscillator circuit board OSC-2 (for 4.19 MHz) that is incorporated when shipped from the factory. In addition, it comes with an oscillator circuit board OSC-2, with only a connector J1 mounted.

And the M34502T-MCU operates in the default mode (instruction-clock: $f(X_{IN})/8$) immediately after a RESET is released.

4.3 Switches

Figure 4.3 shows the positions of switches of the M34502T-MCU. Table 4.2 lists the functions of the switches and their factory-settings.

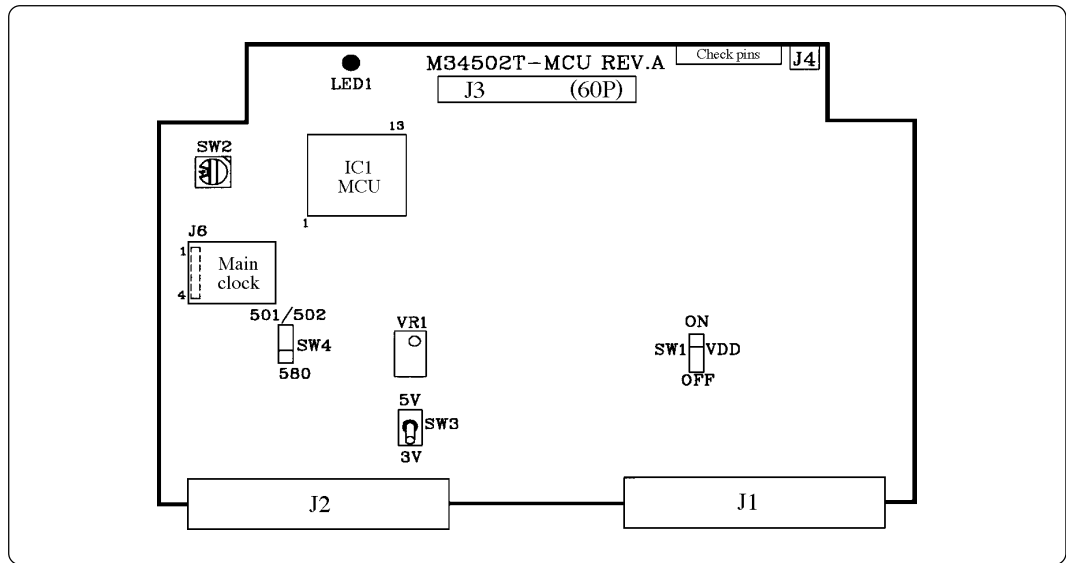






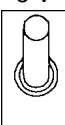

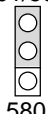
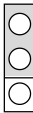
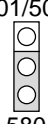


Figure 4.3 Positions of switches

Table 4.2 Functions of switches

Switch	Label	Setting	Description	Factory-setting
SW1	OFF	 OFF	Does not output the V _{DD} of the M34502T-MCU to the target system.	 OFF
	ON	 OFF	Outputs the V _{DD} of the M34502T-MCU to the target system.	
SW2	ROMSIZE		Set the MCU's ROM size. <ul style="list-style-type: none"> Set "2" for M2 Set "4" for M4 	 Set to "4"
SW3	5 V	 3 V	Operates the evaluation MCU on the M34502T-MCU at +5 V.	 5 V
	3 V	 3 V	Operates the evaluation MCU on the M34502T-MCU at +3 V.	
SW4	501/502	 580	The M34502T-MCU operates for 4501, 4502, 4506 and 4507 Groups.	 501/502
	580	 580	The M34502T-MCU operates for 4580 Group.	

4.4 Check Pins

The M34502T-MCU has check pins listed in Table 4.3.

Table 4.3 Check pins

Pins	Function
V _{DD}	Outputs 3 V or 5 V by MCU voltage according to the setting of SW3.
GND	Ground
X _{IN}	Outputs an instruction clock (depending on the operating mode) of the MCU.
$\overline{\text{RUN/STOP}}$	"L" when running user program, "H" when stopping execution.
WRST	"H" when decoding WRST instruction, possible to monitor the clear cycle of the watchdog timer flag by a waveform.

4.5 Connectors

Table 4.4 lists the functions of the connectors, and Figure 4.4 shows the positions of connectors.

Table 4.4 Connectors

Connector	Function
J1	Connects the evaluation MCU bus.
J2	Connects the monitor CPU bus.
J3	Connects the target system (60-pin).
J4	Connects the external trigger signal (2-pin).
J6	Connects the oscillator circuit board (4-pin).

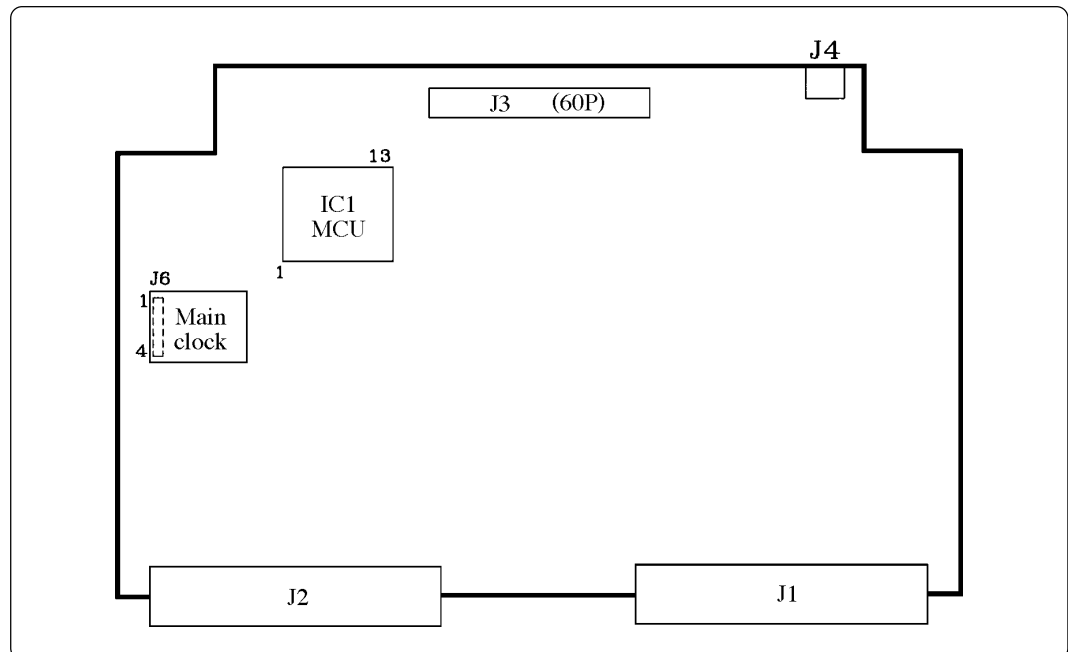


Figure 4.4 Positions of the connectors

(1) Connector J3

Table 4.5 lists the pin assignments of the 60-wire half-pitch connector (J3) for connecting the PCA4029. And Figure 4.5 shows the connector J3 pin layout.

Table 4.5 Pin assignments of the 60-wire half-pitch connector (J3) for connecting the PCA4029

Line A			Line B			Line C			Line D		
Pin No.	Signal	I/O	Pin No.	Signal	I/O	Pin No.	Signal	I/O	Pin No.	Signal	I/O
1	GND		1	GND		1	EV _{DD}	O	1	P3 ₀ /A _{IN2}	I/O
2	GND		2	GND		2	V _{SS}		2	P3 ₁ /A _{IN3}	I/O
3	GND		3	GND		3	X _{IN}	-	3	EP ₀	I/O
4	GND		4	GND		4	X _{OUT}	-	4	EP ₀ ₁	I/O
5	GND		5	GND		5	CNV _{SS}	-	5	EP ₀ ₂	I/O
6	GND		6	GND		6	$\overline{\text{ERESET}}$	I	6	EP ₀ ₃	I/O
7	GND		7	GND		7	EP ₂ ₁ /A _{IN1}	I/O	7	EP ₁ ₀	I/O
8	GND		8	GND		8	EP ₂ ₀ /A _{IN0}	I/O	8	EP ₁ ₁	I/O
9	GND		9	GND		9	ED ₅	I/O	9	EP ₁ ₂ /CNTR	I/O
10	GND		10	GND		10	ED ₄	I/O	10	EP ₁ ₃ /INT	I/O
11	GND		11	GND		11	ED ₃	I/O	11	ED ₀	I/O
12	GND		12	GND		12	ED ₂	I/O	12	ED ₁	I/O
13	GND		13	GND		13	NC	-	13	NC	-
14	GND		14	GND		14	NC	-	14	NC	-
15	GND		15	GND		15	NC	-	15	NC	-

In the I/O column "I" denotes "Input"; "O" denotes "Output"; "I/O" denotes "Input/output"; "-" denotes "Not connected".

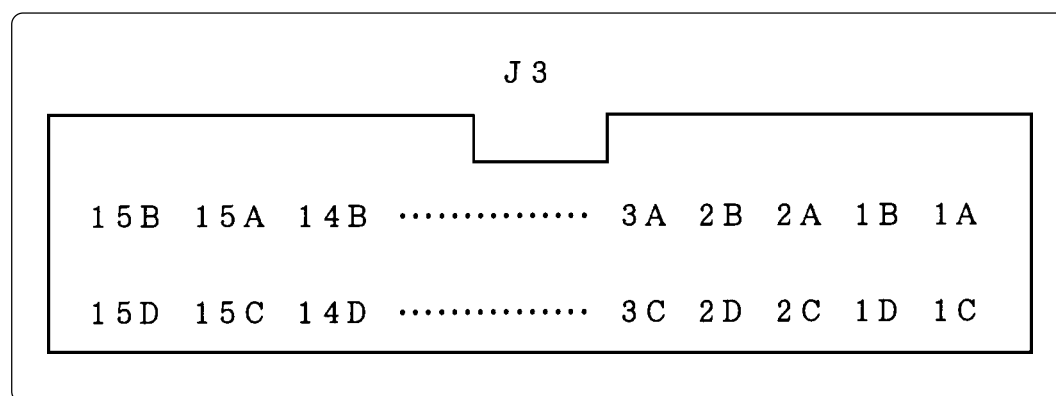


Figure 4.5 Connector J3 pin layout

(2) Connector J4

For the connector J4 for the external trigger signal, use the 2-wire external trigger signal cable included with your M34502T-MCU. Connect the black clip of the external trigger cable to GND, and use the white clip for an external trigger signal input. Use the external trigger signal as an external trigger break or an event input of the trace point by the external trigger. Table 4.6 lists the pin assignments of the connector J4.

Table 4.6 Pin assignments of the connector J4

Pin No.	Signal	Function
1	TRIG	External trigger signal input
2	GND	GND

(3) Connector J6

The connector J6 is a connector used to connect an oscillator circuit board OSC-2. Table 4.7 lists the pin assignments of the connector J6. Figure 4.6 shows the pin layout of the connector J6. For the 4.19MHz operation with the oscillator circuit board OSC-2, see Figure 4.7.

Table 4.7 Pin assignments of the connector J6

Pin No.	Signal	Function
1	V _{CC}	Power supply
2	GND	GND
3	CLK	Clock input
4	GND	GND

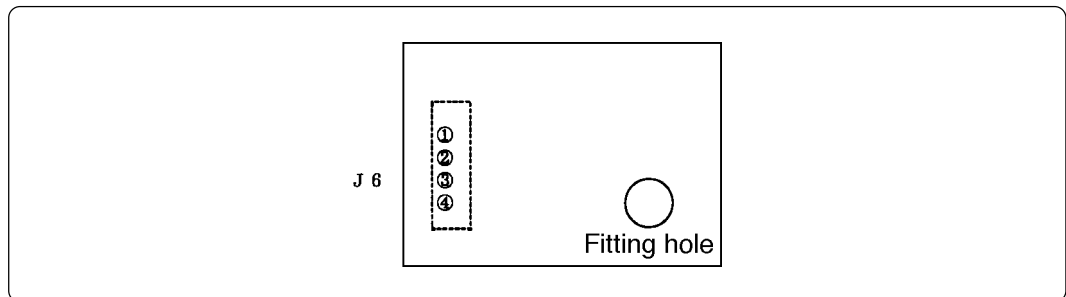


Figure 4.6 Pin layout of the connector J6

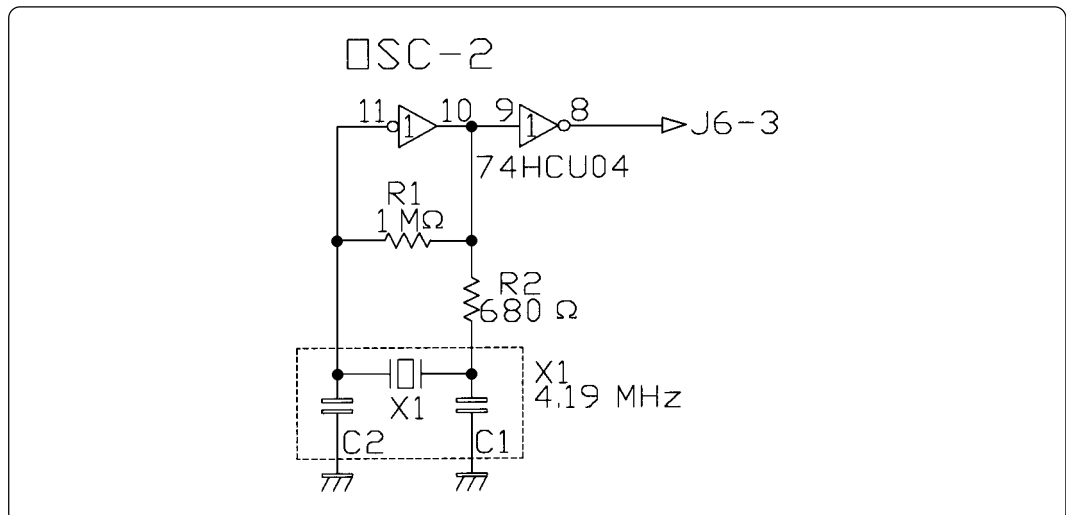


Figure 4.7 Circuit diagram of oscillator circuit board OSC-2 (4.19 MHz)

4.6 Connecting to the Target System

(1) For 4502 and 4507 Groups

How to connect the M34502T-MCU to the target system when using for 4502 and 4507 Groups is shown below.

Make note of the fact that it is not possible to connect the M34502T-MCU directly to the foot pattern of the MCU package (24P2Q-A).

a. Connecting to 2.54-mm-pitch Dual-in-line Pins on the Target System

Use the 26-wire normal-pitch cable (included) to connect the 26-pin dual-in-line pins on the target system. The following products are required for connection to the target system.

- 60-wire half-pitch cable (40 cm)
- Pitch converter board PCA4029
- 26-wire normal-pitch cable (10 cm)

Figure 4.8 shows the M34502T-MCU board connected to the target system using the 26-wire normal-pitch cable. Table 4.8 lists the connector signal assignments of the 26-wire normal-pitch cable. And Figure 4.9 shows the pin layout of the 26-wire normal-pitch cable.

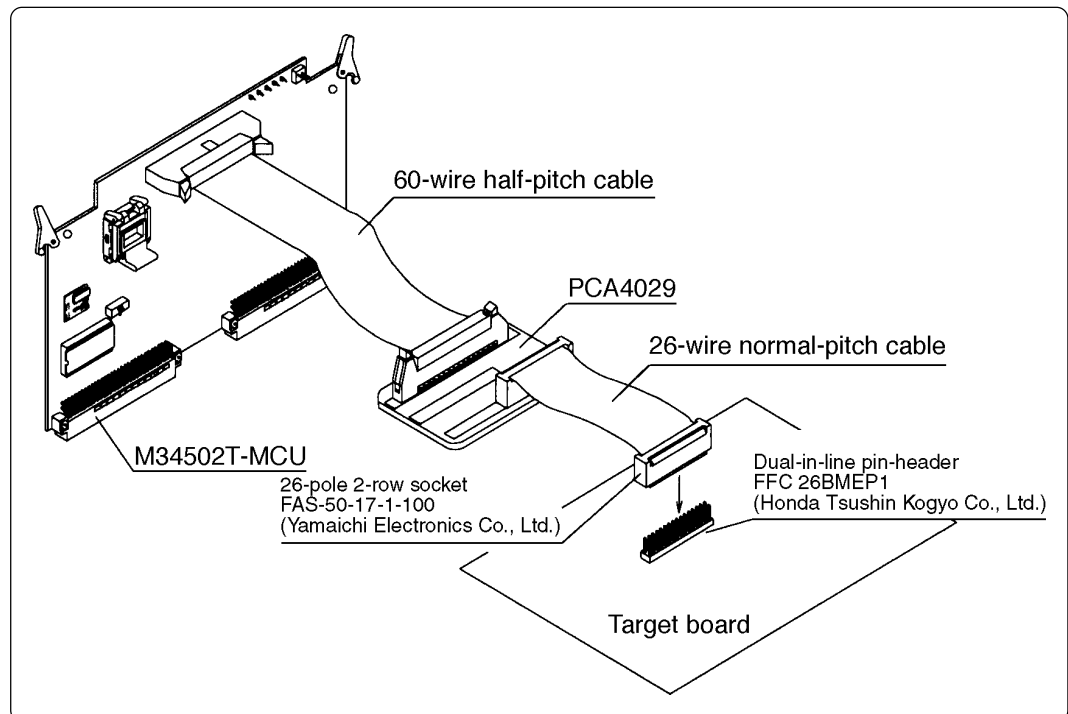


Figure 4.8 Connection to the target system using dual-in-line pins

Table 4.8 26-wire normal-pitch cable pin assignments

1	EV _{DD} *1	26	P3 ₀ /A _{IN2}
2	V _{SS}	25	P3 ₁ /A _{IN3}
3	NC (X _{IN} *2)	24	EP0 ₀
4	NC (X _{OUT})	23	EP0 ₁
5	NC (CNV _{SS})	22	EP0 ₂
6	$\overline{\text{ERESET}}$	21	EP0 ₃
7	EP2 ₁ /A _{IN1}	20	EP1 ₀
8	EP2 ₀ /A _{IN0}	19	EP1 ₁
9	ED ₅	18	EP1 ₂ /CNTR
10	ED ₄	17	EP1 ₃ /INT
11	ED ₃	16	ED ₀
12	ED ₂	15	ED ₁
13	NC	14	NC

*1 EV_{DD} does not input the power supply from the target system, but outputs it to the target system from the power circuit on the M34502T-MCU.

*2 X_{IN} is input from oscillator circuit board OSC-2 on the M34502T-MCU and cannot be input from the oscillator circuit on the target system.

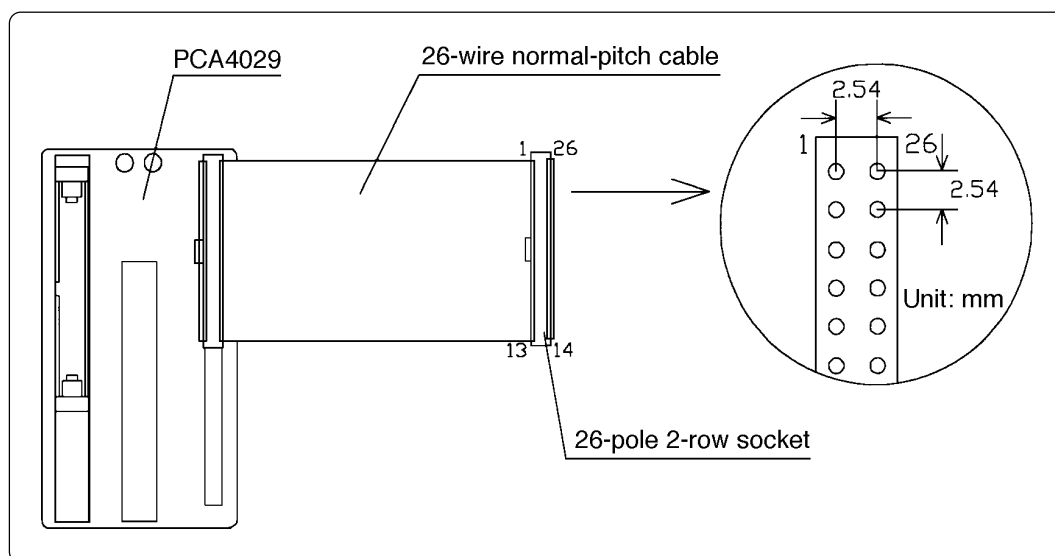


Figure 4.9 Pin layout of the 26-wire normal-pitch cable

(2) For 4501, 4506 and 4580 Groups

How to connect the M34502T-MCU to the target system when using for 4501, 4506 and 4580 Groups is shown below.

Make note of the fact that it is not possible to connect the M34502T-MCU directly to the foot pattern of the MCU package (20P2N-A).

a. Connecting to the IC Socket for 20-pin SDIP on the Target System

Attach the 26-wire normal-pitch cable (included) to pitch converter board M34501T-PTC to connect the M34501T-MCU board with the IC socket for 20-pin SDIP on the target system. Figure 4.10 shows the connection to the target system using the M34501T-PTC. And Figure 4.11 shows the pin assignments of the M34501T-PTC. The following products are required for connection to the target system.

- 60-wire half-pitch cable (40 cm)
- Pitch converter board PCA4029
- 26-wire normal-pitch cable (10 cm)
- Pitch converter board M34501T-PTC

Table 4.9 lists the connector signal assignments of pitch converter board M34501T-PTC. The pin assignments of the M34501T-PTC is the same as for the 20SDIP of the 4501 and 4506 Groups. When connecting pitch converter board M34501T-PTC, check the No. 1 pin positions of the cable and the connector.

To avoid damage to the emulator and target system, be careful of the connection.

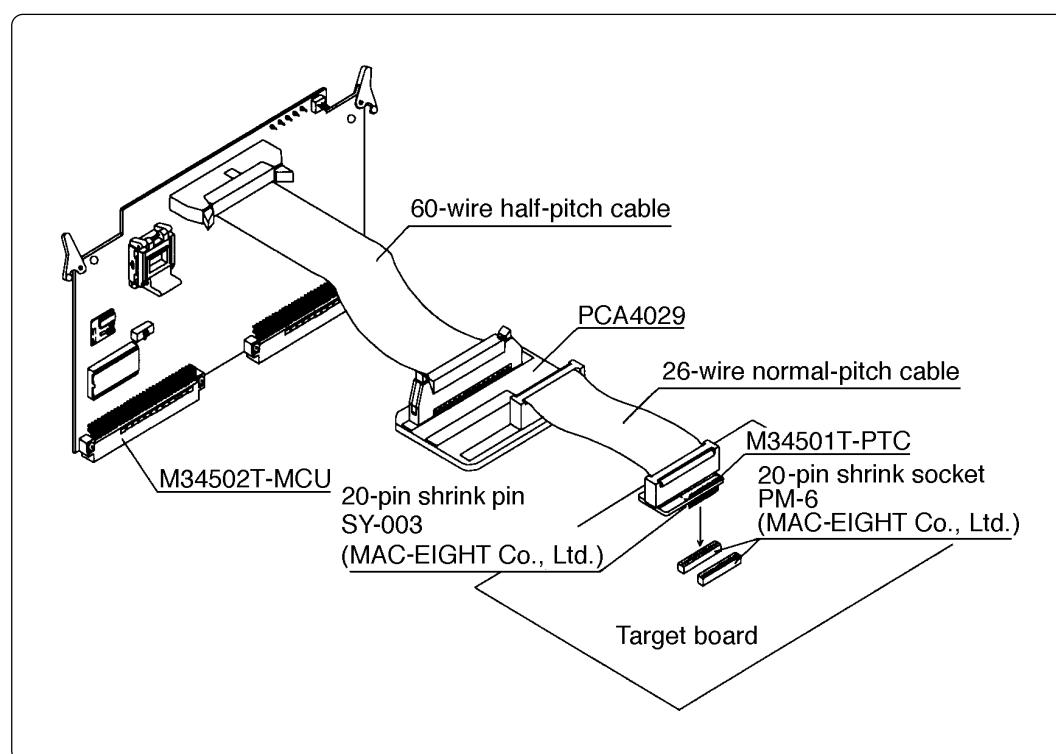


Figure 4.10 Connecting to an IC socket for 20-pin SDIP

Table 4.9 M34501T-PTC pin assignments

M34501T-PTC J2			
1	EV _{DD} *1	20	EP0 ₀
2	V _{SS}	19	EP0 ₁
3	NC (X _{IN} *2)	18	EP0 ₂
4	NC (X _{OUT})	17	EP0 ₃
5	NC (CNV _{SS})	16	EP1 ₀
6	$\overline{\text{ERESET}}$	15	EP1 ₁
7	EP2 ₁ /A _{IN1}	14	EP1 ₂ /CNTR
8	EP2 ₀ /A _{IN0}	13	EP1 ₃ /INT
9	ED ₃	12	ED ₀
10	ED ₂	11	ED ₁

*1 EV_{DD} does not input the power supply from the target system, but outputs it to the target system from the power circuit on the M34502T-MCU.

*2 X_{IN} is input from oscillator circuit board OSC-2 on the M34502T-MCU and cannot be input from the oscillator circuit on the target system.

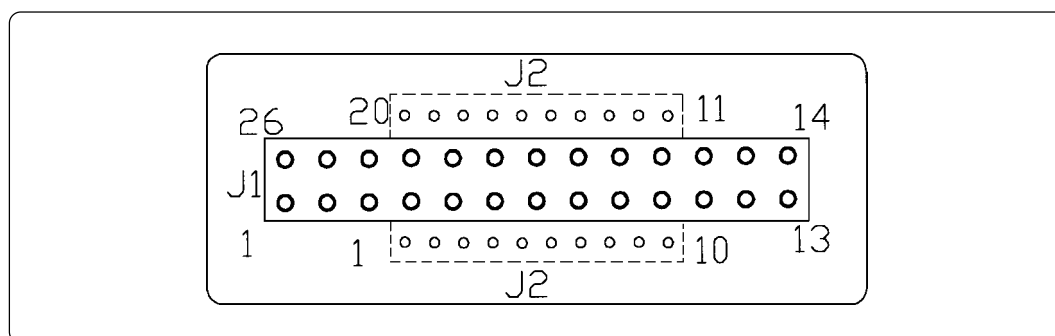


Figure 4.11 Pin layout of the M34501T-PTC

Some signals connected to the target system are emulated on the M34502T-MCU. For details, see "6. Connection Circuit Diagram of the M34502T-MCU".

(1) Pins connected directly to the target system (2 types, 3 lines)

- P3₀, P3₁*¹
- V_{SS}

(2) Pins connected to the target system via emulation circuits and other devices. (6 types, 18 lines)

- P0₀ to P0₃
- P1₀ to P1₃
- P2₀, P2₁
- D₀ to D₅*²
- RESET
- EV_{DD}*³

(3) Pins not connected to the target system (3 types, 3 lines)

- X_{IN}*⁴
- X_{OUT}
- CNV_{SS}

*1 For 4501, 4506 and 4580 Group MCUs, the ports P3₀ and P3₁ are not connected to the target system when the M34501T-PTC is mounted.

*2 For 4501, 4506 and 4580 Group MCUs, the ports D₄ and D₅ are not connected to the target system when the M34501T-PTC is mounted.

*3 EV_{DD} does not input the power supply from the target system, but outputs it to the target system from the power circuit on the M34502T-MCU. The output (ON/OFF) and the power supply (3 V/5 V) of EV_{DD} are changed by the switches SW1 and SW3 respectively.

*4 X_{IN} is input from oscillator circuit board OSC-2 on the M34502T-MCU and cannot be input from the oscillator circuit on the target system. To change the frequency of the system clock, use oscillator circuit board OSC-2 (included) with other necessary parts mounted.

4.7 LED

Figure 4.12 shows the LED layout of the M34502T-MCU. The LED lights in green when the power is supplied.

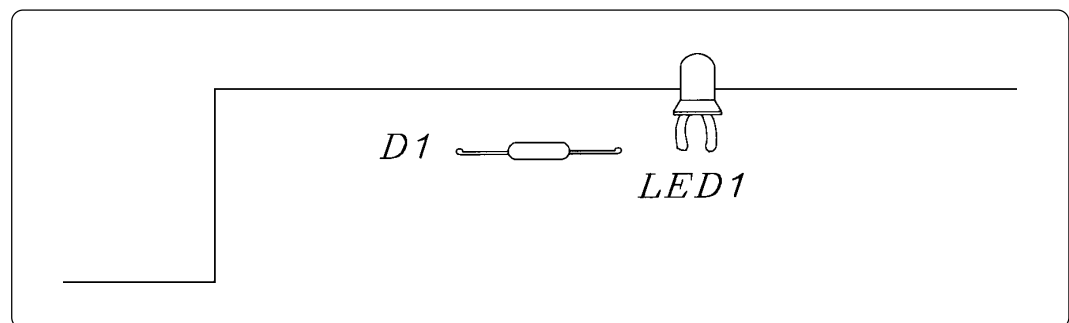


Figure 4.12 Layout of the LED

MEMO

5. Precautions to Be Taken When Debugging

5.1 Reset

The M34502T-MCU uses a 74AC14 for its $\overline{\text{RESET}}$ signal input buffer, so that its electrical characteristics differ from those of an actual MCU. Table 5.1 lists the $\overline{\text{RESET}}$ signal input characteristics of the M34502T-MCU.

Table 5.1 $\overline{\text{RESET}}$ signal input characteristics

Item	Symbol	Voltage (V _{CC})	Min.	Max.
H-level threshold voltage	V _P	3.0 V	-	2.2 V
		4.5 V	-	3.2 V
		5.5 V	-	3.9 V
L-level threshold voltage	V _N	3.0 V	0.5 V	-
		4.5 V	0.9 V	-
		5.5 V	1.1 V	-
Hysteresis voltage	V _H	3.0 V	0.3 V	1.2 V
		4.5 V	0.4 V	1.4 V
		5.5 V	0.5 V	1.6 V

5.2 System Clock

Depending on the supply voltage and operation modes, use one of the frequencies listed in Table 5.2.

Table 5.2 Operating frequencies of M34502T-MCU

Voltage	Mode	Frequency
3 V	Default	4.4 MHz or less
	Low-speed	
	Medium-speed	3.0 MHz or less
	High-speed	1.5 MHz or less
5 V	Default	4.4 MHz or less
	Low-speed	
	Medium-speed	
	High-speed	

To change this clock frequency to suit that of the target system, attach the necessary parts to oscillator circuit board OSC-2 (included).

For details about the oscillation circuit constant, consult your oscillator manufacturer.

5.3 Real-time Capability of Timer

The PC4504 and M34502T-MCU have their internal clock operating even during emulation, so that the timer values keep changing.

- Example:
- (1) When single-stepping the program
 - (2) When registers or internal RAM are referenced or modified

5.4 Watchdog Timer

The M34502T-MCU does not have an operational watchdog timer. Therefore, use an evaluation MCU (OTP version) to verify the operation associated with a watchdog timer.

The M34502T-MCU outputs a signal whose waveform is shown below from the check pin TP5 during WRST instruction execution cycles. This signal allows you to check the initialization cycle of a watchdog timer.

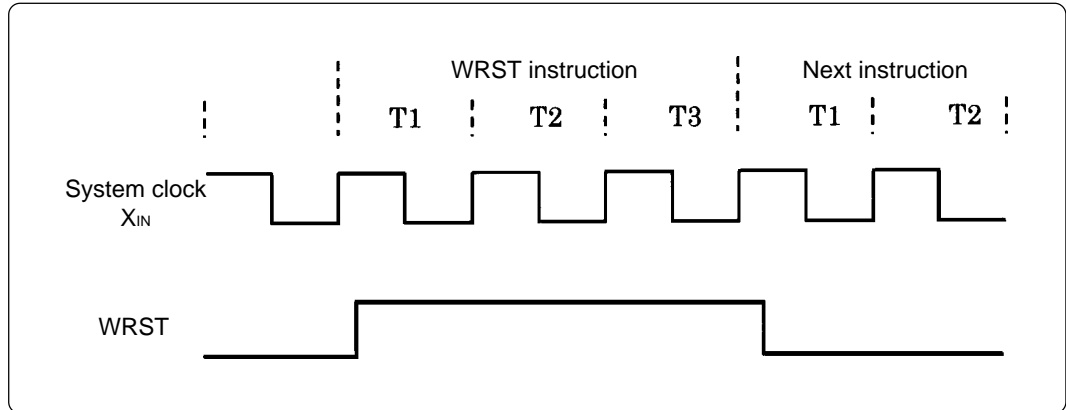


Figure 5.1 Waveform output from check pin TP5

5.5 Port I/O Timing

(1) Port input timing

Port input timings are the same as with each actual MCU.

(2) Port output timing

The output timings of the following ports are different from those of actual MCUs because of the emulation circuits configured with the ports of the M34502T-MCU.

- Ports D₀ to D₅
- Ports P0₀ to P0₃
- Ports P1₀ to P1₃

With actual MCUs, the changes occur at the beginning of the T3 state of an output instruction, while with the M34502T-MCU, the changes occur at the beginning of the T2 state of the next output instruction. Figure 5.2 shows the port output timings of actual MCUs and the M34502T-MCU. For the other ports, the output timings are the same as those of actual MCUs.

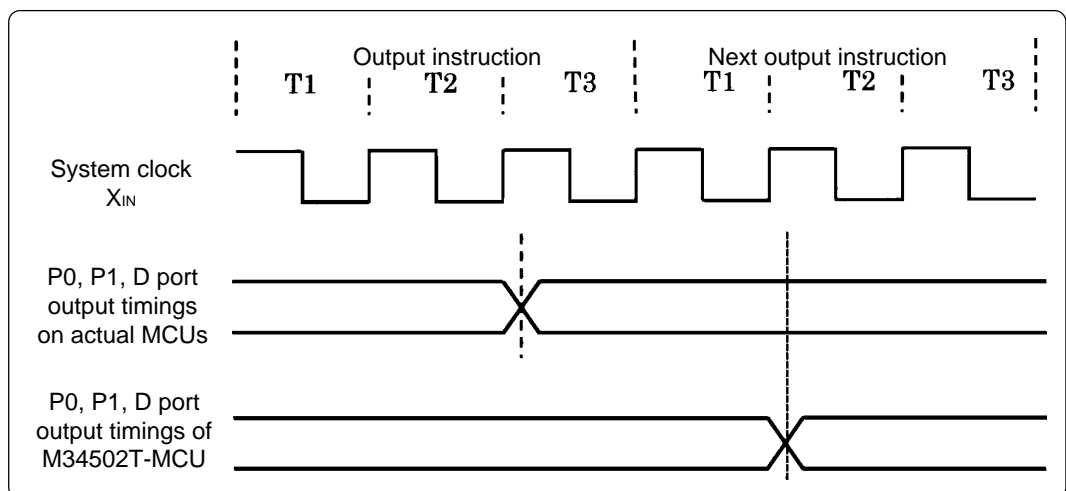


Figure 5.2 D, P0 and P1 port output timings

5.6 Port I/O Characteristics

With the M34502T-MCU, port I/O characteristics are different from those of actual MCUs because there is an emulation circuit in ports P0, P1, P2 and D0 to D5. Table 5.3 lists port I/O characteristics of the M34502T-MCU.

Table 5.3 Emulation port I/O characteristics

Port		Device	Item	Voltage (V _{CC})	Min.	Max.	Remarks
P0, P1	Input	74HC4050	V _{IH}	2.0 V	1.5 V	-	
				4.5 V	3.15 V	-	
			V _{IL}	2.0 V	-	0.5 V	
				4.5 V	-	1.35 V	
	Output	74LS06	I _{OH}	4.75 V	-	250 μA	V _{OH} = MAX
			I _{OL}		-	40 mA	
V _{OL}			-		0.4 V	I _{OL} = 16 mA	
				-	0.7 V	I _{OL} = MAX	
P2	Input/output	74HC4066	R _{ON}	2.0 V	160 Ω	-	V _{I/O} = V _{CC} to GND
				4.5 V	70 Ω	130 Ω	I _{I/O} ≤ 1 mA
			ΔR _{ON}	4.5 V	10 Ω	-	V _{I/O} = V _{CC} to GND
							I _{I/O} ≤ 1 mA
D5 - D0	Input	74HC4050	V _{IH}	2.0 V	1.5 V	-	
				4.5 V	3.15 V	-	
			V _{IL}	2.0 V	-	0.5 V	
				4.5 V	-	1.35 V	
	Output	74LS06	I _{OH}	4.75 V	-	250 μA	V _{OH} = MAX
			I _{OL}		-	40 mA	
V _{OL}			-		0.4 V	I _{OL} = 16 mA	
				-	0.7 V	I _{OL} = MAX	

5.7 Pullup Transistor

Since ports P0, P1, D2 and D3 contain emulation circuits, the pullup transistor in an MCU cannot be used.

For the M34502T-MCU, the pullup resistor of 51 kΩ is mounted. When it is necessary to change the pullup resistor, replace the resistance arrays of R3 and R4.

5.8 RAM Backup Mode

In the RAM backup mode, the M34502T-MCU operates differently from actual MCUs.

(1) On Port Output (Ports D, P0 and P1) in the RAM Backup Mode

With an actual MCU, the state of ports immediately before the RAM backup mode is retained, while with the M34502T-MCU, it is not retained. (a restriction of the M34502T-MCU)

With the M34502T-MCU, in the RAM backup mode, ports D, P0 and P1 are held HIGH, and when returned from the RAM backup mode they retain their previous state.

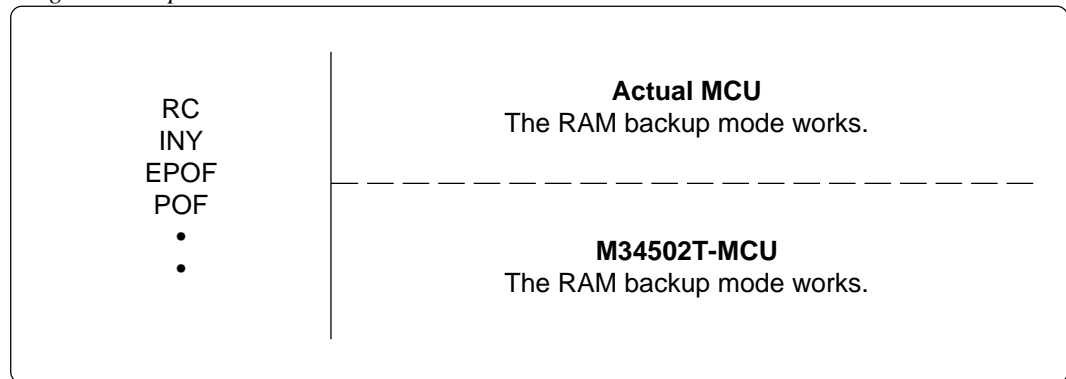
Therefore, to evaluate a system which needs ports D, P0 and P1 to be held LOW in the RAM backup mode, you need an evaluation MCU (OTP version).

(2) RAM Operation of the M34502T-MCU

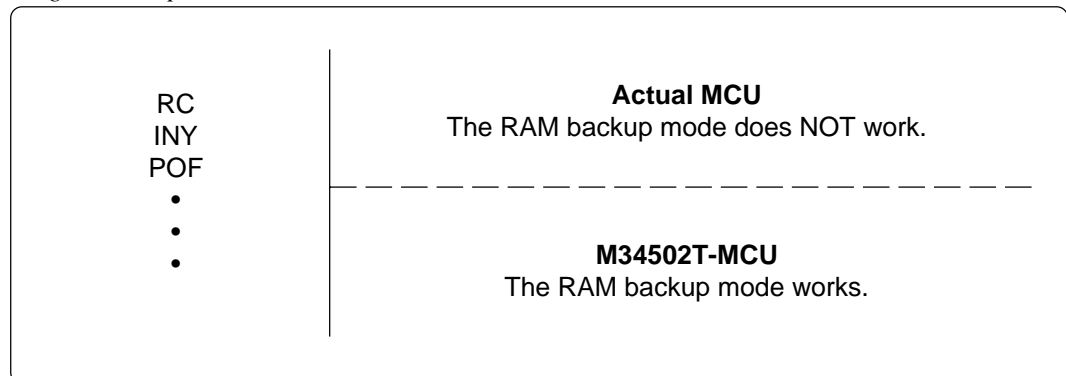
Though the actual chip is placed in the RAM backup mode by executing a combination of "EPOF" and "POF" or "POF2" instructions, the M34502T-MCU is placed in the RAM backup mode by only either "POF" instruction or "POF2" instruction.

In the M34502T-MCU, the "EPOF" instruction does not have any effect.

Program example 5.1



Program example 5.2



5.9 Program Execution (G, GB)

According to the specifications of the PC4504 and M34502T-MCU, there are following restrictions concerned to the operation of the program execution commands (G and GB commands).

(1) Continuous description of instructions

Hardware breakpoints set in a continuous description of instructions do not cause a break to occur in the continuous description of instructions. A break occurs only after fetching the address where the continuous description of instructions is discontinued. (See Program example 5.3)

However, a break does occur even in a continuous description of instructions when an external trigger break or forced break is encountered. For execution to be resumed in this case, you need to make sure that the execution start address is next to the continuous description of instructions. (See Program example 5.4)

Program example 5.3

	LA	0	
POINT:	LA	1	; Continuous description of instructions
	LA	2	
POINT+2:	XAM	3	

If a break is set at POINT, execution is halted immediately before the XAM instruction at address POINT+2.

Program example 5.4

	LA	0	
POINT:	LA	1	; Continuous description of instructions
POINT+1:	LA	2	
POINT+2:	XAM	3	

If a forced or external trigger break is applied at POINT, execution is halted at POINT +1. When resuming program execution after the break, make sure that the start address is at POINT+2, an address immediately after the continuous description of instructions is discontinued.

(2) Skip instructions (e.g. SNZP, INY, DEY, SZB, SEAM, SZC and RTS instructions)

When a skip instruction skips the next instruction, a breakpoint set in the skipped instruction does not break. (See Program examples 5.5 and 5.6)

Program example 5.5

<pre> RC SZC POINT: TABP POINTA: TAM 0 • • </pre>		<pre> SC SZC POINT: TABP POINTA: TAM 0 • • </pre>
<p>A breakpoint set at address POINT causes execution to halt immediately before address POINTA in only the case of the instruction shown on the right side.</p>		

Program example 5.6

<pre> RC INY POINT: TABP LA 0 • • </pre>	<pre> ; Skip instructions </pre>
<p>If a break with pass count is set at address POINT, the count is taken and execution is halted only when the instruction at address POINT is executed.</p>	

5.10 External Trigger Signal

(1) External trigger signal input timing

The latch timing of the external trigger signal is shown in Figure 5.3.

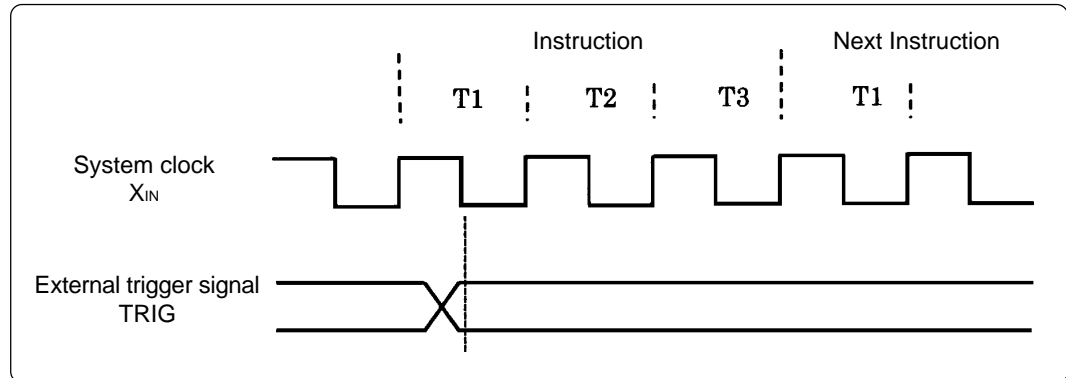


Figure 5.3 Latch timing of external trigger signal

(2) External trigger signal input characteristics

Trigger breaks work according to the condition (leading edge/trailing edge) of signals input from the external trace cable. The external trigger signals of the trace points and the external trigger signals of the break points use the same signals. The input characteristics of the external trigger signals are shown in Table 5.4 below. See the table before using external trigger signals.

Table 5.4 External trigger signal input characteristics

Item	Symbol	Voltage (V _{CC})	Max.	Min.
H-level voltage	V _{IH}	2.0 V	-	1.5 V
		4.5 V	-	3.15 V
L-level voltage	V _{IL}	2.0 V	0.5 V	-
		4.5 V	1.35 V	-

5.11 Other Precautions

With the M34502T-MCU if any of the following restrictions applies, it is necessary to evaluate the system by an evaluation MCU (OTP version).

- (1) The system which uses $\overline{\text{RESET}}$ output cannot be evaluated.
- (2) The system which uses low-power detection function cannot be evaluated.
- (3) The operation cannot be checked by a power-on reset.
- (4) After resetting, it is not possible to change to the ceramic oscillation or CR oscillation by starting up from the on-chip oscillator. After resetting, the system operates by the system clock of the M34502T-MCU.
- (5) As the operating voltage of the M34502T-MCU is 3 V or 5 V, the results of the A-D conversion may differ from the theoretical values because of the difference with the voltage of the target system.
- (6) With the M34502T-MCU, it is not possible to evaluate the system which uses the multi comparator function for 4580 Group.

MEMO

6. Connection Circuit Diagram of the M34502T-MCU

Figure 6.1 shows the connection circuit diagram of M34502T-MCU. This circuit diagram depicts the M34502T-MCU connection centering on circuits connected to the target system. Emulator control blocks and other similar circuits that are not connected to the target system are omitted in this diagram.

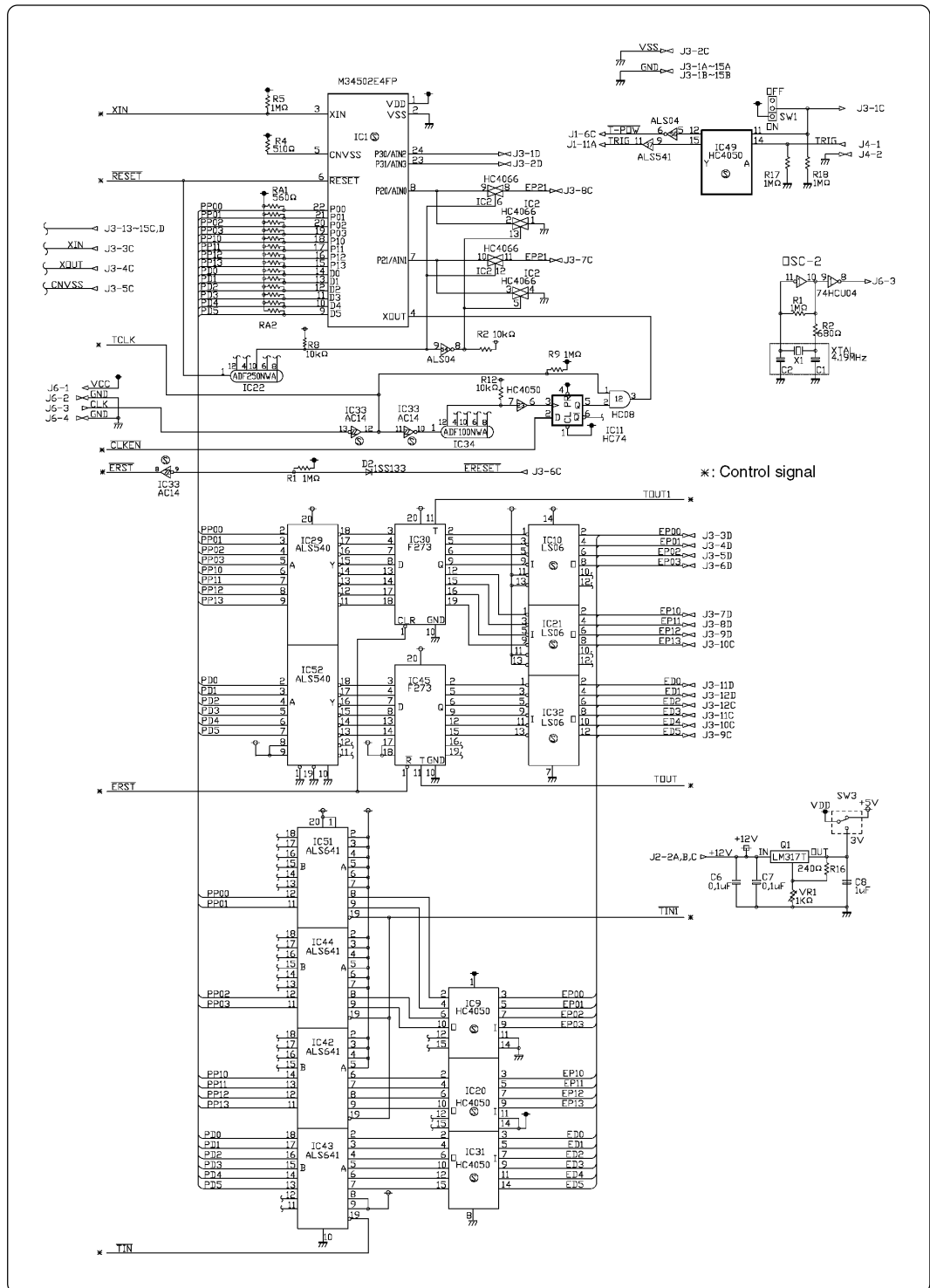


Figure 6.1 Connection circuit diagram of the M34502T-MCU

MEMO

7. External Dimensions of the Pitch Converter Board

7.1 M34501T-PTC

Figure 7.1 shows the external dimensions of the M34501T-PTC.

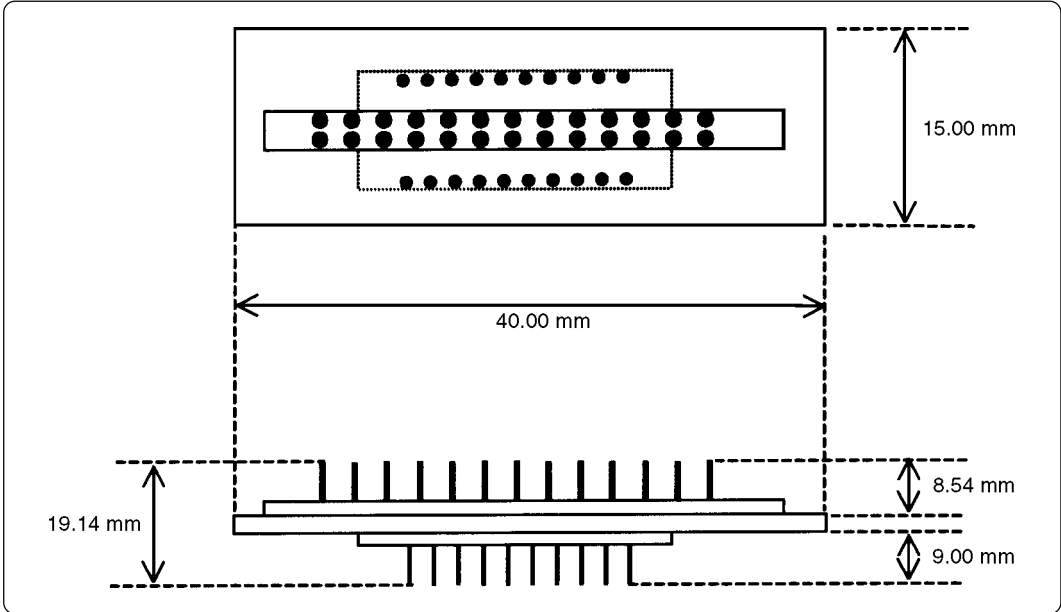


Figure 7.1 External dimensions of the M34501T-PTC

Appendix A. How to Request for Repair

If your product is found faulty, follow the procedure below to send your product for repair.

Customer



Fill in the Repair Request Sheet included with this product, then send it along with this product for repair to your local distributor. Make sure that information in the Repair Request Sheet is written in as much detail as possible to facilitate repair.

Distributor



After checking the contents of fault, the distributor should please send the faulty product along with the Repair Request Sheet to Renesas Solutions Corp.

Renesas Solutions

When the faulty product is repaired, it will be returned to the customer at the earliest convenience.

CAUTION

Note on Transporting the Product:



- When sending your product for repair, use the packing box and cushion material supplied with this product when delivered to you and specify handling caution for it to be handled as precision equipment. If packing of your product is not complete, it may be damaged during transportation. When you pack your product in a bag, make sure to use conductive polyvinyl supplied with this product (usually a blue bag). When you use other bags, they may cause a trouble on your product because of static electricity.

M34502T-MCU User's Manual

Rev.2.00
July 1, 2004
REJ10J0273-0200Z

COPYRIGHT ©2003-2004 RENESAS TECHNOLOGY CORPORATION
AND RENESAS SOLUTIONS CORPORATION ALL RIGHTS RESERVED



Renesas Technology Corp.

2-6-2, Ote-machi, Chiyoda-ku, Tokyo, 100-0004, Japan

Free Manuals Download Website

<http://myh66.com>

<http://usermanuals.us>

<http://www.somanuals.com>

<http://www.4manuals.cc>

<http://www.manual-lib.com>

<http://www.404manual.com>

<http://www.luxmanual.com>

<http://aubethermostatmanual.com>

Golf course search by state

<http://golfingnear.com>

Email search by domain

<http://emailbydomain.com>

Auto manuals search

<http://auto.somanuals.com>

TV manuals search

<http://tv.somanuals.com>