

# M30263T-42SSB

Converter Board for 42-pin 0.8-mm-pitch SSOP

## User's Manual

### Keep safety first in your circuit designs!

- Renesas Technology Corporation and Renesas Solutions Corporation put the maximum effort into making semiconductor products better and more reliable, but there is always the possibility that trouble may occur with them. Trouble with semiconductors may lead to personal injury, fire or property damage. Remember to give due consideration to safety when making your circuit designs, with appropriate measures such as (i) placement of substitutive, auxiliary circuits, (ii) use of nonflammable material or (iii) prevention against any malfunction or mishap.

### Notes regarding these materials

- These materials are intended as a reference to assist our customers in the selection of the Renesas Technology product best suited to the customer's application; they do not convey any license under any intellectual property rights, or any other rights, belonging to Renesas Technology Corporation, Renesas Solutions Corporation or a third party.
- Renesas Technology Corporation and Renesas Solutions Corporation assume no responsibility for any damage, or infringement of any third-party's rights, originating in the use of any product data, diagrams, charts, programs, algorithms, or circuit application examples contained in these materials.
- All information contained in these materials, including product data, diagrams, charts, programs and algorithms represents information on products at the time of publication of these materials, and are subject to change by Renesas Technology Corporation and Renesas Solutions Corporation without notice due to product improvements or other reasons. It is therefore recommended that customers contact Renesas Technology Corporation, Renesas Solutions Corporation or an authorized Renesas Technology product distributor for the latest product information before purchasing a product listed herein. The information described here may contain technical inaccuracies or typographical errors. Renesas Technology Corporation and Renesas Solutions Corporation assume no responsibility for any damage, liability, or other loss rising from these inaccuracies or errors. Please also pay attention to information published by Renesas Technology Corporation and Renesas Solutions Corporation by various means, including the Renesas home page (<http://www.renesas.com>).
- When using any or all of the information contained in these materials, including product data, diagrams, charts, programs, and algorithms, please be sure to evaluate all information as a total system before making a final decision on the applicability of the information and products. Renesas Technology Corporation and Renesas Solutions Corporation assume no responsibility for any damage, liability or other loss resulting from the information contained herein.
- Renesas Technology semiconductors are not designed or manufactured for use in a device or system that is used under circumstances in which human life is potentially at stake. Please contact Renesas Technology Corporation, Renesas Solutions Corporation or an authorized Renesas Technology product distributor when considering the use of a product contained herein for any specific purposes, such as apparatus or systems for transportation, vehicular, medical, aerospace, nuclear, or undersea repeater use.
- The prior written approval of Renesas Technology Corporation and Renesas Solutions Corporation is necessary to reprint or reproduce in whole or in part these materials.
- If these products or technologies are subject to the Japanese export control restrictions, they must be exported under a license from the Japanese government and cannot be imported into a country other than the approved destination. Any diversion or reexport contrary to the export control laws and regulations of Japan and/or the country of destination is prohibited.
- Please contact Renesas Technology Corporation or Renesas Solutions Corporation for further details on these materials or the products contained therein.

### Precautions to be taken when using this product

- This product is a development supporting unit for use in your program development and evaluation stages. In mass-producing your program you have finished developing, be sure to make a judgment on your own risk that it can be put to practical use by performing integration test, evaluation, or some experiment else.
- In no event shall Renesas Solutions Corporation be liable for any consequence arising from the use of this product.
- Renesas Solutions Corporation strives to renovate or provide a workaround for product malfunction at some charge or without charge. However, this does not necessarily mean that Renesas Solutions Corporation guarantees the renovation or the provision under any circumstances.
- This product has been developed by assuming its use for program development and evaluation in laboratories. Therefore, it does not fall under the application of Electrical Appliance and Material Safety Law and protection against electromagnetic interference when used in Japan.



### CAUTION

If the requirements shown in the "CAUTION" sentences are ignored, the equipment may cause personal injury or damage to the products.

Renesas Tools Homepage <http://www.renesas.com/en/tools>

## 1. Outline

The M30263T-42SSB is a converter board for connecting the emulation probe M30290T-EPB for M16C/26A, 28, 29 Groups and the compact emulator M30290T2-CPE to a foot pattern for M16C/26A Group 42-pin 0.8-mm-pitch SSOP (42P2R-E).

## 2. Package Components (See Figure 1)

- (1) M30263T-42SSB 1 pc.  
(Base board M30290T-PTCB and 150mm FFC cable included)
- (2) M3T-SSOP42B-450 1 pc.
- (3) Socket main unit 1 pc.  
(made by Matsushita Electric Works, Ltd.)
- (4) Socket frame 2 pcs.  
(made by Matsushita Electric Works, Ltd.)
- (5) M30263T-42SSB User's Manual (This manual) 1 pc.

## 3. Specifications

Table 1 Specifications

Applicable package	42P2R-E (42-pin 0.8-mm-pitch SSOP)
Insertion/removal iterations of connector	Between M30263T-42SSB and M3T-SSOP42B-450: 50 times guaranteed
	Between M30290T-EPB or M30290T2-CPE and M30290T-PTCB: 50 times guaranteed

## 4. Usage (See Figure 2)

The M30263T-42SSB can be used for debugging and board mounted evaluation in common by mounting the socket directly on the user system.

- (1) For debugging  
Mount the socket directly to the foot pattern on the user system. On top if it, mount the M3T-SSOP42B-450 and socket frame in that order.  
After connecting the M30290T-EPB or M30290T2-CPE and the M30290T-PTCB, connect the M30263T-42SSB to top of the M3T-SSOP42B-450.
- (2) For onboard evaluation  
Mount an M16C/26A Group MCU and socket frame in that order to the socket on the user system.

Before using the M30263T-42SSB, be sure to read "8. Precautions" on page 4 and the M30290T-EPB or M30290T2-CPE User's Manual.

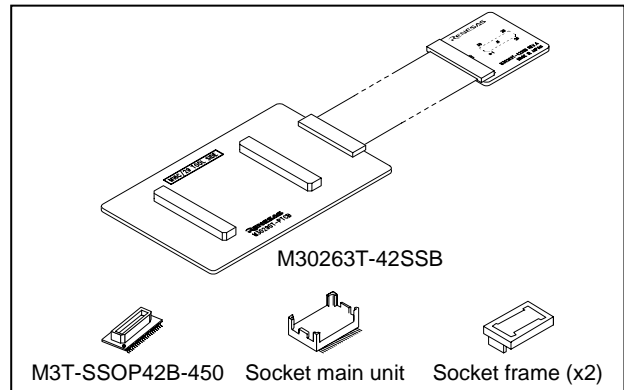


Figure 1 Package components of the M30263T-42SSB

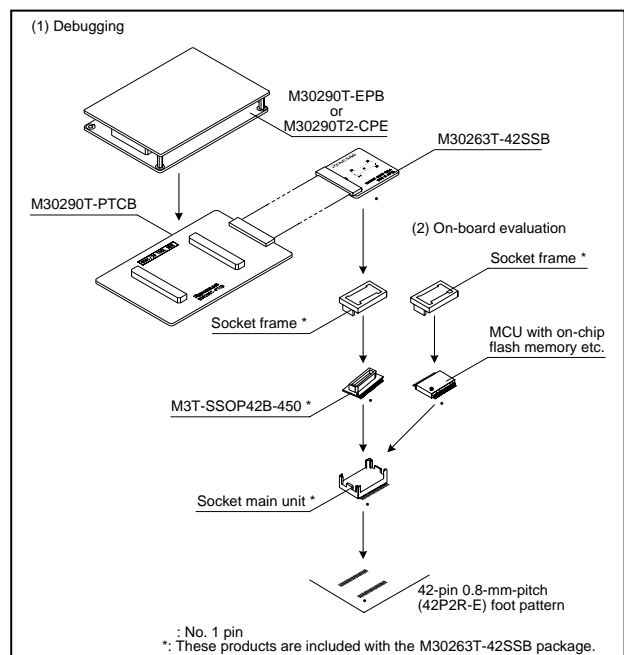


Figure 2 Usage of the M30263T-42SSB

### 5. External Dimensions of the M30263T-42SSB (See Figure 3)

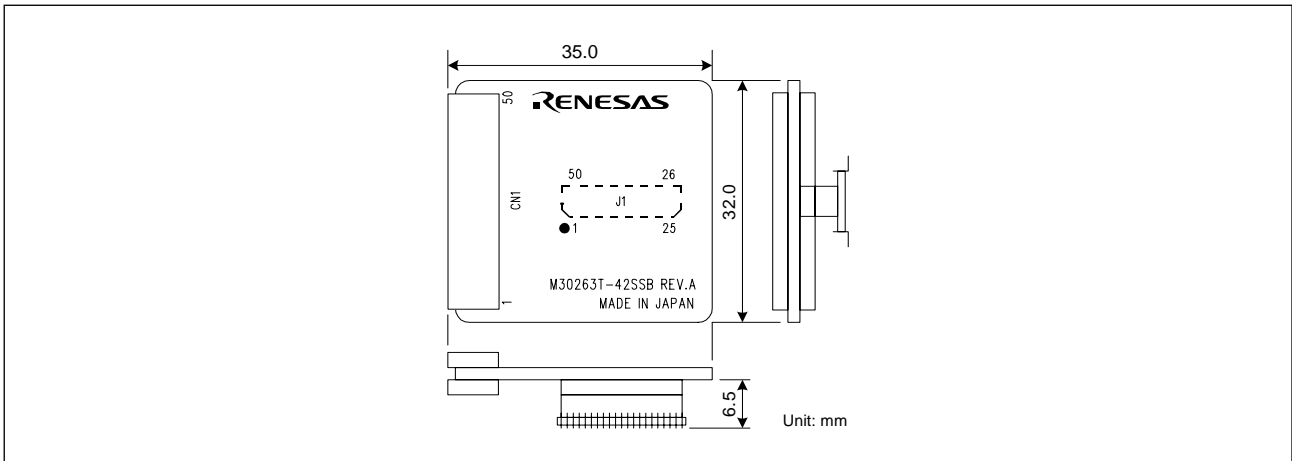


Figure 3 External Dimensions of the M30263T-42SSB

### 6. External Dimensions of the M3T-SSOP42B-450 (See Figure 4)

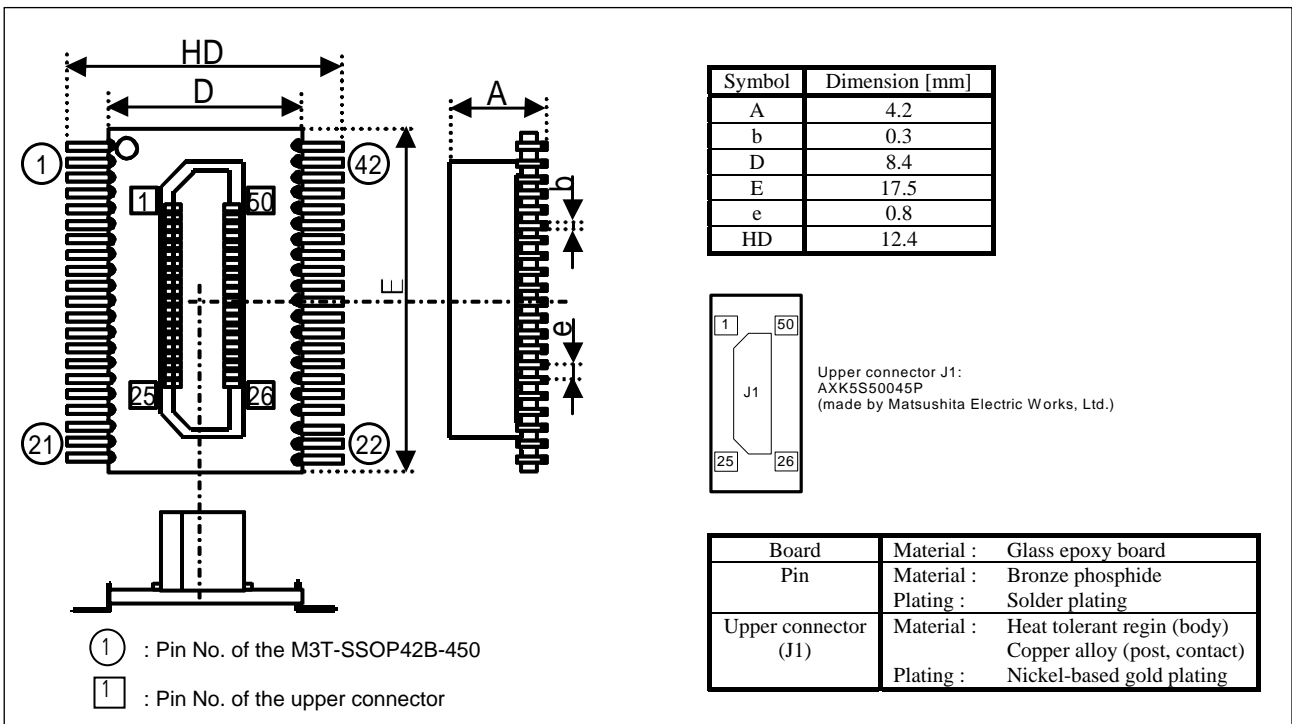


Figure 4 External Dimensions of the M3T-SSOP42B-450

## 7. Target Foot Pattern (See Figure 5)

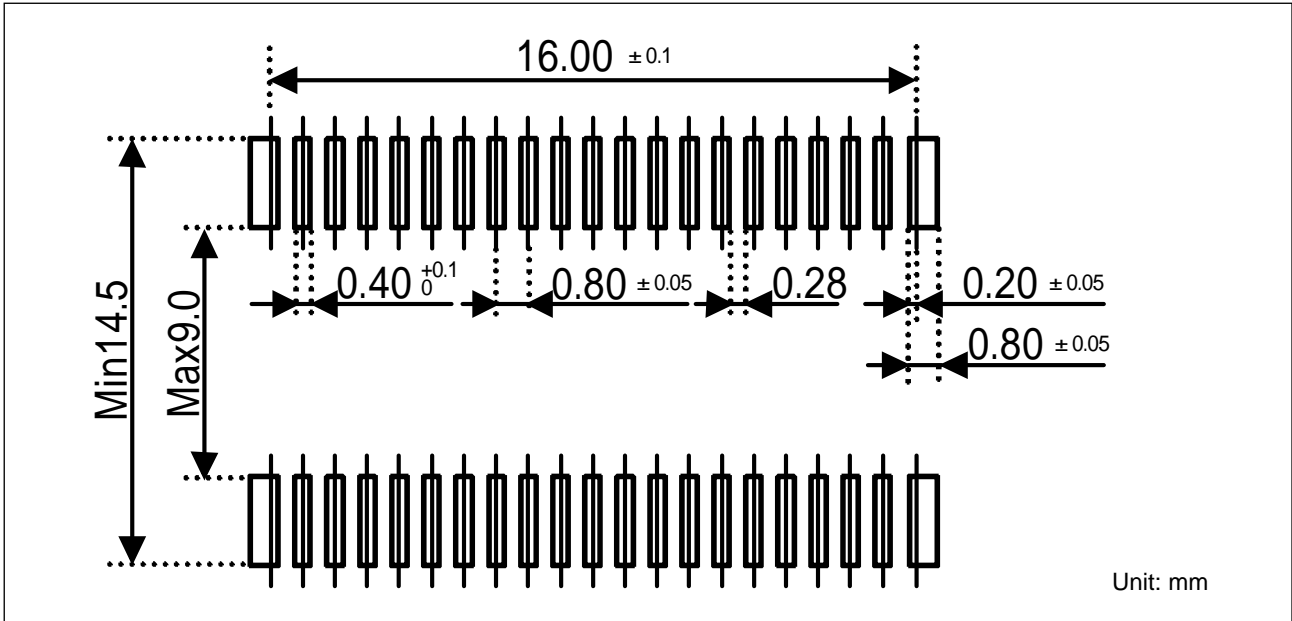


Figure 5 Dimensions of the target foot pattern (Quoted from the specifications of IC socket for SSOP by Matsushita Electric Works, Ltd.)

## 8. Precautions

### ⚠ CAUTION

#### Cautions to Be Taken for This Product:



- Do not pull or excessively flex the cable. The cable may cause a break.
- Do not solder the M3T-SSOP42B-450 directly on the target. Use the included socket.
- When attaching the M3T-SSOP42B-450, be sure to confirm the pin positions.
- When soldering the socket's body and mounting the M3T-SSOP42B-450, refer to the supplementary document "Mounting the Socket Included with the M3T-SSOP42B-450" and "Notes on Handling M3T-SSOP42B-450".
- Do not apply an unnecessary stress to the M3T-SSOP42B-450.
- Do not touch the pins of the M3T-SSOP42B-450.
- Store this product in the dedicated case.

### IMPORTANT

#### Notes on This Product:

- We cannot accept any request for repair.
- To remove the socket frame, use the dedicated tool AXY89404201\* (made by Matsushita Electric Works, Ltd.).  
\* To purchase this product and socket frame for repair, contact Matsushita Electric Works, Ltd.
- For inquiries about the product or the contents of this manual, contact your local distributor.  
Renesas Tools Homepage <http://www.renesas.com/en/tools>

## Free Manuals Download Website

<http://myh66.com>

<http://usermanuals.us>

<http://www.somanuals.com>

<http://www.4manuals.cc>

<http://www.manual-lib.com>

<http://www.404manual.com>

<http://www.luxmanual.com>

<http://aubethermostatmanual.com>

Golf course search by state

<http://golfingnear.com>

Email search by domain

<http://emailbydomain.com>

Auto manuals search

<http://auto.somanuals.com>

TV manuals search

<http://tv.somanuals.com>