

H8/36024, H8/36049 Group Expansion I/O Board for E6000 Emulator

HS36024EIO61HE User's Manual

Renesas Microcomputer Development Environment System

H8 Family / H8/300H Tiny Series

User's Manual

Cautions

Keep safety first in your circuit designs!

1. Renesas Technology Corp. puts the maximum effort into making semiconductor products better and more reliable, but there is always the possibility that trouble may occur with them. Trouble with semiconductors may lead to personal injury, fire or property damage. Remember to give due consideration to safety when making your circuit designs, with appropriate measures such as (i) placement of substitutive, auxiliary circuits, (ii) use of nonflammable material or (iii) prevention against any malfunction or mishap.

Notes regarding these materials

1. These materials are intended as a reference to assist our customers in the selection of the Renesas Technology Corp. product best suited to the customer's application; they do not convey any license under any intellectual property rights, or any other rights, belonging to Renesas Technology Corp. or a third party.
2. Renesas Technology Corp. assumes no responsibility for any damage, or infringement of any third-party's rights, originating in the use of any product data, diagrams, charts, programs, algorithms, or circuit application examples contained in these materials.
3. All information contained in these materials, including product data, diagrams, charts, programs and algorithms represents information on products at the time of publication of these materials, and are subject to change by Renesas Technology Corp. without notice due to product improvements or other reasons. It is therefore recommended that customers contact Renesas Technology Corp. or an authorized Renesas Technology Corp. product distributor for the latest product information before purchasing a product listed herein. The information described here may contain technical inaccuracies or typographical errors. Renesas Technology Corp. assumes no responsibility for any damage, liability, or other loss rising from these inaccuracies or errors. Please also pay attention to information published by Renesas Technology Corp. by various means, including the Renesas Technology Corp. Semiconductor home page (<http://www.renesas.com>).
4. When using any or all of the information contained in these materials, including product data, diagrams, charts, programs, and algorithms, please be sure to evaluate all information as a total system before making a final decision on the applicability of the information and products. Renesas Technology Corp. assumes no responsibility for any damage, liability or other loss resulting from the information contained herein.
5. Renesas Technology Corp. semiconductors are not designed or manufactured for use in a device or system that is used under circumstances in which human life is potentially at stake. Please contact Renesas Technology Corp. or an authorized Renesas Technology Corp. product distributor when considering the use of a product contained herein for any specific purposes, such as apparatus or systems for transportation, vehicular, medical, aerospace, nuclear, or undersea repeater use.
6. The prior written approval of Renesas Technology Corp. is necessary to reprint or reproduce in whole or in part these materials.
7. If these products or technologies are subject to the Japanese export control restrictions, they must be exported under a license from the Japanese government and cannot be imported into a country other than the approved destination. Any diversion or reexport contrary to the export control laws and regulations of Japan and/or the country of destination is prohibited.
8. Please contact Renesas Technology Corp. for further details on these materials or the products contained therein.

IMPORTANT INFORMATION

READ FIRST

- **READ this user's manual before using this emulator product.**
- **KEEP the user's manual handy for future reference.**

Do not attempt to use the emulator product until you fully understand its mechanism.

Emulator Product:

Throughout this document, the term "emulator product" shall be defined as the following products produced only by Renesas Technology Corp. excluding all subsidiary products.

- E6000 series emulator station
- Expansion I/O board
- User system interface cables
- PC interface board

The user system or a host computer is not included in this definition.

Purpose of the Expansion I/O Board:

This expansion I/O board is installed in the E6000 emulator, and enables the emulator station to be connected to the user system interface cable. This expansion I/O board must only be used for the above purpose.

Improvement Policy:

Renesas Technology Corp. (including its subsidiaries, hereafter collectively referred to as Renesas) pursues a policy of continuing improvement in design, functions, performance, and safety of the emulator product. Renesas reserves the right to change, wholly or partially, the specifications, design, user's manual, and other documentation at any time without notice.

Target User of the Emulator Product:

This emulator product should only be used by those who have carefully read and thoroughly understood the information and restrictions contained in the user's manual. Do not attempt to use the emulator product until you fully understand its mechanism.

It is highly recommended that first-time users be instructed by users that are well versed in the operation of the emulator product.

LIMITED WARRANTY

Renesas warrants its emulator products to be manufactured in accordance with published specifications and free from defects in material and/or workmanship. Renesas, at its option, will repair or replace any emulator products returned intact to the factory, transportation charges prepaid, which Renesas, upon inspection, determine to be defective in material and/or workmanship. The foregoing shall constitute the sole remedy for any breach of Renesas's warranty. See the Renesas warranty booklet for details on the warranty period. This warranty extends only to you, the original Purchaser. It is not transferable to anyone who subsequently purchases the emulator product from you. Renesas is not liable for any claim made by a third party or made by you for a third party.

DISCLAIMER

RENESAS MAKES NO WARRANTIES, EITHER EXPRESS OR IMPLIED, ORAL OR WRITTEN, EXCEPT AS PROVIDED HEREIN, INCLUDING WITHOUT LIMITATION THEREOF, WARRANTIES AS TO MARKETABILITY, MERCHANTABILITY, FITNESS FOR ANY PARTICULAR PURPOSE OR USE, OR AGAINST INFRINGEMENT OF ANY PATENT. IN NO EVENT SHALL RENESAS BE LIABLE FOR ANY DIRECT, INCIDENTAL OR CONSEQUENTIAL DAMAGES OF ANY NATURE, OR LOSSES OR EXPENSES RESULTING FROM ANY DEFECTIVE EMULATOR PRODUCT, THE USE OF ANY EMULATOR PRODUCT, OR ITS DOCUMENTATION, EVEN IF ADVISED OF THE POSSIBILITY OF SUCH DAMAGES. EXCEPT AS EXPRESSLY STATED OTHERWISE IN THIS WARRANTY, THIS EMULATOR PRODUCT IS SOLD "AS IS", AND YOU MUST ASSUME ALL RISK FOR THE USE AND RESULTS OBTAINED FROM THE EMULATOR PRODUCT.

State Law:

Some states do not allow the exclusion or limitation of implied warranties or liability for incidental or consequential damages, so the above limitation or exclusion may not apply to you. This warranty gives you specific legal rights, and you may have other rights which may vary from state to state.

The Warranty is Void in the Following Cases:

Renesas shall have no liability or legal responsibility for any problems caused by misuse, abuse, misapplication, neglect, improper handling, installation, repair or modifications of the emulator product without Renesas's prior written consent or any problems caused by the user system.

All Rights Reserved:

This user's manual and emulator product are copyrighted and all rights are reserved by Renesas. No part of this user's manual, all or part, may be reproduced or duplicated in any form, in hard-copy or machine-readable form, by any means available without Renesas's prior written consent.

Other Important Things to Keep in Mind:

1. Circuitry and other examples described herein are meant merely to indicate the characteristics and performance of Renesas's semiconductor products. Renesas assumes no responsibility for any intellectual property claims or other problems that may result from applications based on the examples described herein.
2. No license is granted by implication or otherwise under any patents or other rights of any third party or Renesas.

Figures:

Some figures in this user's manual may show items different from your actual system.

Limited Anticipation of Danger:

Renesas cannot anticipate every possible circumstance that might involve a potential hazard. The warnings in this user's manual and on the emulator product are therefore not all inclusive. Therefore, you must use the emulator product safely at your own risk.

SAFETY PAGE

READ FIRST

- **READ** this user's manual before using this emulator product.
- **KEEP the user's manual handy for future reference.**

Do not attempt to use the emulator product until you fully understand its mechanism.

DEFINITION OF SIGNAL WORDS



This is the safety alert symbol. It is used to alert you to potential personal injury hazards. Obey all safety messages that follow this symbol to avoid possible injury or death.



DANGER indicates an imminently hazardous situation which, if not avoided, will result in death or serious injury.



WARNING indicates a potentially hazardous situation which, if not avoided, could result in death or serious injury.



CAUTION indicates a potentially hazardous situation which, if not avoided, may result in minor or moderate injury.



CAUTION used without the safety alert symbol indicates a potentially hazardous situation which, if not avoided, may result in property damage.

NOTE emphasizes essential information.

WARNING

Observe the precautions listed below. Failure to do so will result in a FIRE HAZARD and will damage the user system and the emulator product or will result in PERSONAL INJURY. The USER PROGRAM will be LOST.

- 1. Do not repair or remodel the emulator product by yourself for electric shock prevention and quality assurance.**
- 2. Always switch OFF the E6000 emulator and user system before connecting or disconnecting any CABLES or PARTS.**
- 3. Always before connecting any CABLES, make sure that pin 1 on both sides are correctly aligned.**
- 4. Supply power according to the power specifications and do not apply an incorrect power voltage. Use only the provided power cable.**

Preface

Thank you for purchasing this H8/36024, H8/36049 group expansion I/O board (HS36024EIO61H; hereinafter referred to as the expansion I/O board) for the H8/36024, H8/36049 group E6000 emulator.

The expansion I/O board enables user systems for Renesas's original microcomputer H8/36024, H8/36049 group to be developed using an H8/36024, H8/36049 group E6000 emulator (HS3664EPI61H; hereinafter referred to as the emulator).

Contents

Section 1	Overview	1
1.1	Environment Conditions.....	1
1.2	Supported MCUs and User System Interface Cables	2
1.3	Operating Voltage and Frequency Specifications	3
1.4	Components	4
Section 2	Connection Procedures	5
2.1	Using Emulator without Connecting User System	5
2.2	Using Emulator with Connecting User System through User System Interface Cable.....	6
Section 3	User System Interface	8
Section 4	Notice.....	9

Section 1 Overview

The H8/36024, H8/36049 group E6000 expansion I/O board (hereinafter referred to as the expansion I/O board) is an efficient software and hardware development support tool for application systems using channel 3 of Renesas's original microcomputers H8/36024, H8/36049 group SCI3 (Serial Communication Interface 3).

The expansion I/O board should be used with H8/36024, H8/36049 group E6000 emulator station (HS3664EPI61H: hereinafter referred to as the emulator).

1.1 Environment Conditions

Table 1.1 Environment Conditions

Item	Specifications
Temperature	Operating: +10 to +35°C Storage: -10 to +50°C
Humidity	Operating: 35 to 80% RH; no condensation Storage: 35 to 80% RH; no condensation
Ambient gases	No corrosive gases
Power supply	Power supply from E6000 emulator station
User system voltage (UVcc)	Depends on the MCU within the range 3.0 V to 5.5 V

1.2 Supported MCUs and User System Interface Cables

Table 1.2 shows the correspondence between the MCUs and the user system interface cables supported by the E6000.

H8/36024, H8/36049 group:

Table 1.2 H8/36024, H8/36049 group MCUs and User System Interface Cable

No.	MCU Type Number	Package	E6000 User System Interface Cables
1	HD64F36024	64-pin LQFP(FP-64E)	HS36014ECH61H
	HD64F36022	48-pin LQFP(FP-48F)	HS36014ECH63H
		48-pin LQFP(FP-48B)	HS36014ECH64H
2	HD64F36049	80-pin QFP(FP-80A)	HS36049ECH61H

1.3 Operating Voltage and Frequency Specifications

Table 1.3 shows the MCU operating voltage and frequency specifications supported by the E6000. If the E6000 is used in an environment that exceeds the operating voltage range and operating frequency range guaranteed for the MCU operation, normal emulator operation is not guaranteed.

Table 1.3 Operating Voltage and Frequency Specifications

No.	MCU Types	Operating Voltage (V)	Operating Frequency (ϕ) (MHz)
1	H8/36024 Group	3.0-5.5	2-10
	H8/36049 Group	4.0-5.5	2-20

NOTE

For details on the operating voltage and frequency specifications, refer to the MCU hardware manual.

1.4 Components

Figure 1.1 shows the HS36024EIO61H expansion I/O board appearance, and table 1.4 lists the components of the expansion I/O board. Please make sure you have all of these components when unpacking.

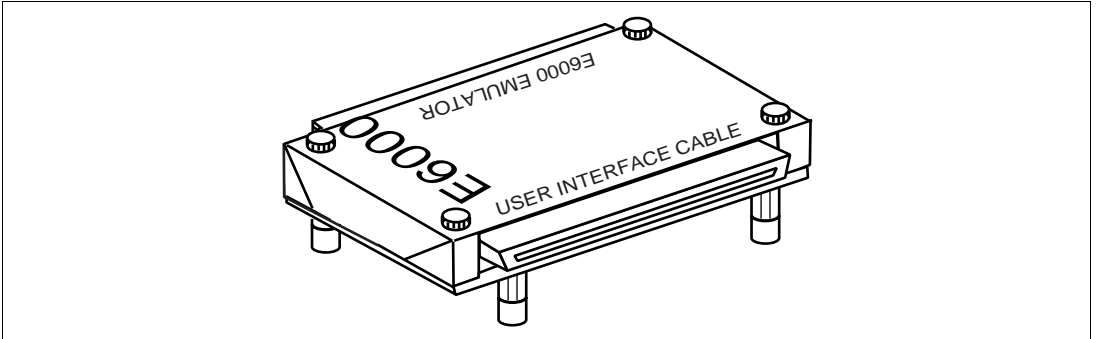


Figure 1.1 HS36024EIO61H Expansion I/O Board

Table 1.4 HS36024EIO61H Components

No.	Component	Quantity	Remarks
1	HS36024EIO61H	1	Expansion I/O board
2	Documentation	1	User's manual for HS36024EIO61H (this manual)

Section 2 Connection Procedures

WARNING

Always switch OFF the user system and the emulator product before the EXPANSION I/O BOARD or USER SYSTEM INTERFACE CABLE is connected to or removed from any part. Before connecting, make sure that pin 1 on each side is correctly aligned. Failure to do so will result in a FIRE HAZARD and will damage the user system, the emulator product, the user system interface cable, and the expansion board, or will result in PERSONAL INJURY. The USER PROGRAM will be LOST.

2.1 Using Emulator without Connecting User System

1. Make sure the emulator is turned off.
2. After making sure the direction of the expansion I/O board connector labeled E6000 EMULATOR is correct, firmly insert the expansion I/O board connector into the emulator station connector. When the emulator is operated while connected to only the expansion I/O board (without connecting the user system), disconnect the cable body from the expansion I/O board.

2.2 Using Emulator with Connecting User System through User System Interface Cable

CAUTION

When connecting or removing the user system interface cable, apply force only in the direction suitable for connection or removal, while making sure not to bend or twist the cable or connectors.

Otherwise, the cables or connectors will be damaged.

1. Make sure the emulator and the user system are turned off.
2. [1] After making sure the direction of the expansion I/O board connector labeled E6000 EMULATOR is correct, firmly insert the expansion I/O board connector into the emulator station connector ([1] in figure 2.1).
[2] To connect the expansion I/O board labeled USER INTERFACE CABLE and the user system interface cable body.

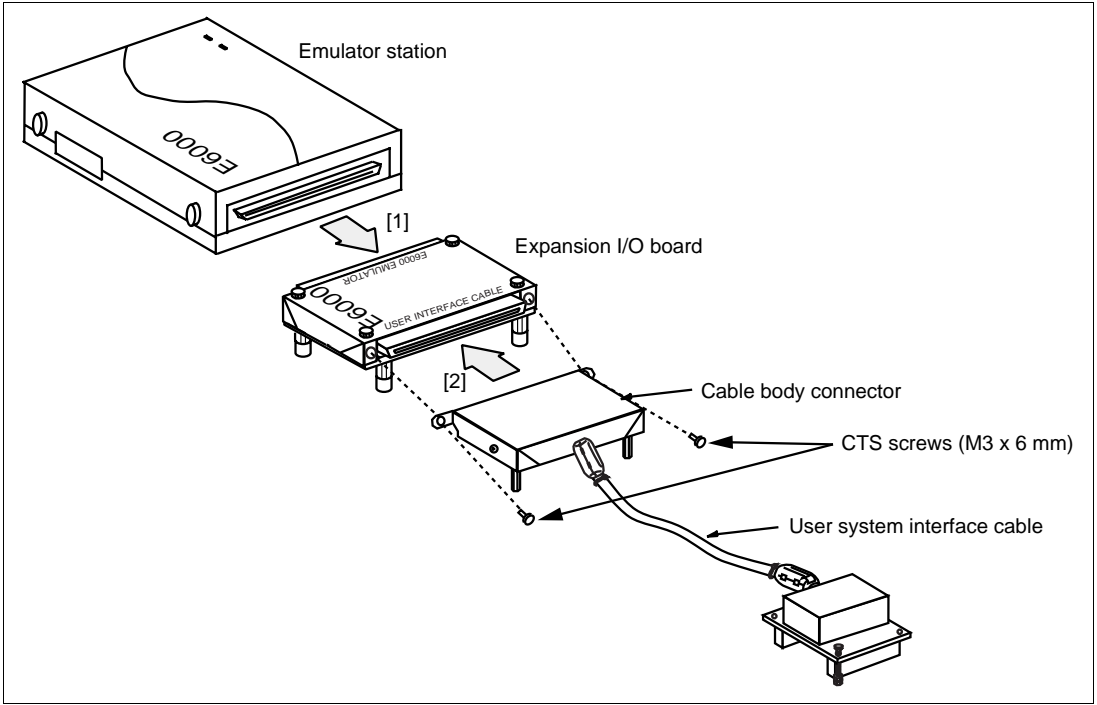


Figure 2.1 Connecting Expansion I/O Board to Emulator Station and User System Interface Cable

Section 3 User System Interface

Switches, protection circuits, and termination circuits are provided for the H8/36024, H8/36049 SCI3_3 of the expansion I/O board. Signals are connected to the user system interface cable with the protection circuit. Figure 3.1 shows user system interface circuit.

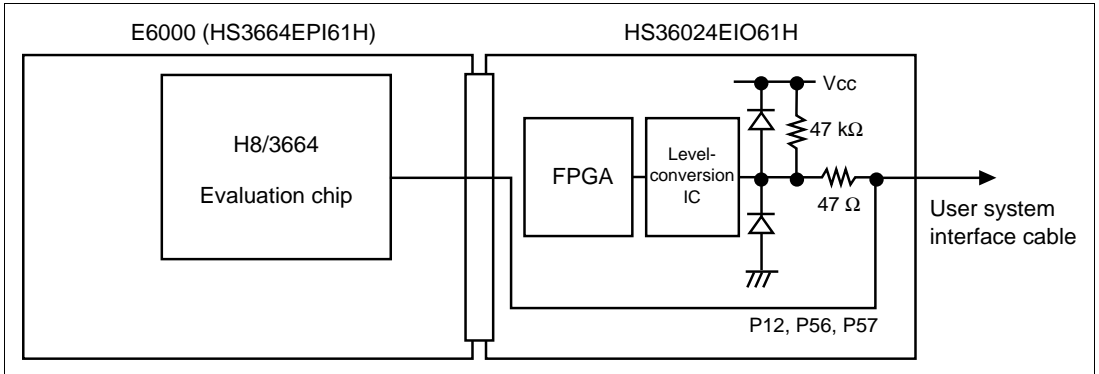


Figure 3.1 User System Interface Circuit (Port 12, 56, 57)

Section 4 Notice

WARNING

Observe the precautions listed below. Failure to do so will result in a FIRE HAZARD and will damage the user system and the emulator product or will result in PERSONAL INJURY. The USER PROGRAM will be LOST.

- 1. This expansion I/O board is specifically designed for the HS3664EPI61H. Do not use this expansion I/O board with any other emulator station.**
- 2. Use the H8/36014 and H8/36024 group user system interface cable (HS36014ECH61H for FP-64E, HS36014ECH63H for FP-48F, or HS36014ECH64H for FP-48B) and H8/36049 group user system interface cable (HS36049ECH61H for FP-80A). Do not use any otherseries of user system interface cable.**

1. Do not place heavy objects on the expansion I/O board.
2. Power is supplied from the emulator station to the expansion I/O board.

H8/36024, H8/36049 Group Expansion I/O Board for E6000 Emulator User's Manual

Publication Date: Rev.1.00, December 19, 2003
Published by: Sales Strategic Planning Div.
Renesas Technology Corp.
Edited by: Technical Documentation & Information Department
Renesas Kodaira Semiconductor Co., Ltd.

©2003 Renesas Technology Corp. All rights reserved. Printed in Japan.

H8/36024, H8/36049 Group Expansion
I/O Board for E6000 Emulator
User's Manual



Renesas Technology Corp.

2-6-2, Ote-machi, Chiyoda-ku, Tokyo, 100-0004, Japan
Download from www.somanuals.com. All Manuals Search And Download.

REJ10B0095-0100H

Free Manuals Download Website

<http://myh66.com>

<http://usermanuals.us>

<http://www.somanuals.com>

<http://www.4manuals.cc>

<http://www.manual-lib.com>

<http://www.404manual.com>

<http://www.luxmanual.com>

<http://aubethermostatmanual.com>

Golf course search by state

<http://golfingnear.com>

Email search by domain

<http://emailbydomain.com>

Auto manuals search

<http://auto.somanuals.com>

TV manuals search

<http://tv.somanuals.com>