



www.regency-fire.com

P42 Gas Fireplace

Owners & Installation Manual



MODELS: P42-NG4 Natural Gas P42-LP4 Propane

WARNING:

If the information in these instructions are not followed exactly, a fire or explosion may result causing property damage, personal injury or loss of life.

FOR YOUR SAFETY

Do not store or use gasoline or other flammable vapors and liquids in the vicinity of this or any other appliance.

Installation and service must be performed by a qualified installer, service agency or the gas supplier.

FOR YOUR SAFETY

What to do if you smell gas:

- Do not try to light any appliance
- Do not touch any electrical switch: do not use any phone in your building.
- Immediately call your gas supplier from a neighbour's phone. Follow the gas supplier's instructions.
- If you cannot reach your gas supplier, call the fire department.

Tested by:



Installer: Please complete the details on the back cover and leave this manual with the homeowner.

Homeowner: Please keep these instructions for future reference.

To the New Owner:

Congratulations!

You are the owner of a state-of-the-art Gas Fireplace by FIREPLACE PRODUCTS INTERNATIONAL. The P42 is a hand crafted appliance and has been designed to provide you with all the warmth and charm of a wood fireplace at the flick of a switch. The model P42 has been approved by Warnock Hersey for both safety and efficiency. As it also bears our own mark, it promises to provide you with economy, comfort and security for many trouble free years to follow. Please take a moment now to acquaint yourself with these instructions and the many features of your Regency® Fireplace.

INFORMATION FOR MOBILE/MANUFACTURED HOMES AFTER FIRST SALE

This Regency® product has been tested and listed by Warnock Hersey as a Vented Gas Fireplace Heater to the following standards: UL307B-1995, CAN/CGA-2.17-M91, ANSI Z21.88b-2003/CSA 2.33b-2003.

This Direct Vent System Appliance must be installed in accordance with the manufacturer's installation instructions and the Manufactured Home Construction and Safety Standard, Title 24 CFR, Part 3280, or the current Standard of Fire Safety Criteria for Manufactured Home Installations, Sites, and Communities ANSI/NFPA 501A, and with CAN/CSA Z240-MH Mobile Home Standard in Canada.

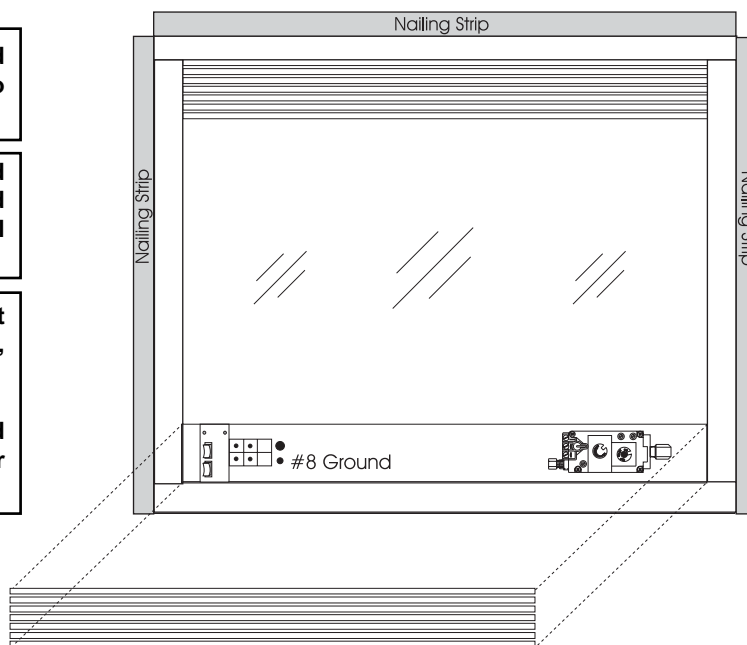
This appliance installation must comply with the manufacturer's installation instructions and local codes, if any. In the absence of local codes follow the current National Fuel Gas Code, ANSI Z223.1 and the current National Electrical Code ANSI/NFPA 70 in the U.S.A., and the current CAN/CGA B149 Gas Installation Code and the current Canadian Electrical Code CSA C22.1 in Canada.

This Regency® Mobile/Manufactured Home Listed appliance comes factory equipped with a means to secure the unit.

This Regency® Mobile/Manufactured Home listed appliance comes equipped with a dedicated #8 ground lug to which an 18 gauge copper wire from the steel chassis ground must be attached.

This appliance may be installed in an aftermarket permanently located, manufactured (mobile) home, where not prohibited by local codes.

This appliance is only use with the type of gas indicated on the rating plate. This appliance is not convertible for use with other gases, unless a certified kit is used.



We recommend that our products be installed and serviced by professionals who are certified in the U.S. by the National Fireplace Institute® (NFI) or in Canada by Wood Energy Technical Training (WETT).



ONE REGENCY = ONE TREE

For each Regency sold
we plant a tree
AmericanForests.org

TABLE OF CONTENTS

SAFETY LABEL

Copy of Safety Decal.....	4
---------------------------	---

REQUIREMENTS

MA Code - CO Detector	5
-----------------------------	---

INSTALLATION

Important Message	6
Before You Start	6
General Safety Information	6
Installation Checklist.....	6
Manufactured Mobile Home Additional Requirements ..	7
Locating Your Gas Fireplace	7
Unit Specifications	7
Heatwave Optional Duct System Kit#946-556	7
Optional Hearth	7
Clearances	8
Mantels.....	8
Mantel Leg Clearances	8
Framing And Finishing.....	9
Top Assembly & Nailing Strips.....	9
Venting Introduction.....	9
Vent Restrictor.....	9
Exterior Vent Termination Requirements.....	10
Venting	11
4" x 6-5/8" Rigid Pipe Cross Reference Chart.....	12
Rigid Pipe Venting	14
Horizontal Terminations.....	15
Vertical Terminations	17
Installation Procedures.....	23
High Elevation	24
Gas Line Installation	24
Gas Pipe Pressure Testing.....	24
Aeration Adjustment	25
Brick Panels	25
Log Set Installation	26
Standard Flush Door	27
Flush Louvers.....	27
Double Screen Doors	27
Optional Bay Door	28
Bay Louvers	28
Full Screen doors	29
Wiring Diagrams	32

OPERATING INSTRUCTIONS

Optional Remote Control.....	34
Optional Wall Switch.....	34
Optional Wall Thermostat	34
Operating Instructions	34
Lighting Procedure	34
Copy Of The Lighting Plate Instructions.....	35

MAINTENANCE

Normal Operating Sounds Of Gas Appliances	36
Shutdown Procedure.....	36
First Fire	36
Maintenance Instructions	36
Gold-Plated Louvers.....	37
Log Replacement	37
Thermopile / Thermocouple.....	37
Glass Replacement	37
Door Glass	37
Removing The Fan.....	38
Replacing The Fan	38
Removing Valve.....	38
Installing Valve.....	39

PARTS LIST

Main Assembly	40
Burner & Log Assembly	41
Flush Door & Louvers.....	42
Bay Front & Louvers.....	43

WARRANTY



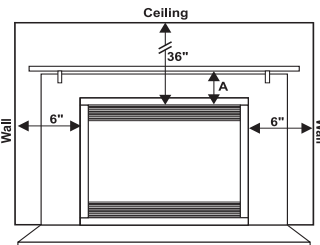
Warranty	47
----------------	----

SAFETY LABEL

This is a copy of the label that accompanies each P42 Zero Clearance Direct Vent Gas Fireplace. We have printed a copy of the contents here for your review. The safety label is located on the front inside base of the unit, visible when the bottom louver is open.

NOTE: Regency® units are constantly being improved. Check the label on the unit and if there is a difference, the label on the unit is the correct one.

COPY OF SAFETY DECAL FOR P42

DUPLICATE SERIAL NO. 307		
	Listed: VENTED GAS FIREPLACE HEATER Certified for/Certifiée pour: CANADA and U.S.A. Tested to: CAN/CGA-2.17-M91, ANSI Z21.88b-2003/CSA 2.33b-2003 Report No. 476-1319 (Aug 1996) MAY BE INSTALLED IN MANUFACTURED (MOBILE) HOMES AFTER FIRST SALE.	DO NOT REMOVE THIS LABEL / NE PAS ENLEVER CETTE ÉTIQUETTE  <div style="text-align: right; padding-top: 10px;"> Serial No./ No de serie 307 </div>
○ Model/Modèle: P42-NG4	NATURAL GAS: Model P42-NG4 Minimum supply pressure 5" WC (1.25 kPa) Manifold pressure high 3.8" WC (0.94 kPa) Manifold pressure low 0.9" WC (0.22 kPa) Orifice size # 33 DMS Minimum input 17500 Btu/h (5.13 Kwh) Maximum input 35000 Btu/h (10.25Kwh) Altitude 0-4500 ft/pi (0-1372 m)	APPAREIL FONCTIONNANT AU NATURAL GAS CONCU POUR ETRE POELE: Modèle P42-NG4 Pression d'alimentation minimum Pression à la tubulure d'échappement élevée Pression à la tubulure d'échappement basse Grandeur de l'injecteur Débit Calorifique - Ventilateur en Marche BTU Débit Calorifique - Ventilateur Éleint BTU Débit Calorifique minimum selon l'altitude Débit Calorifique maximum selon l'altitude
○ Model/Modèle: P42-LP4	PROPANE: Model P42-LP4 Minimum supply pressure 11" WC (2.74 kPa) Manifold pressure high 10" WC (2.49 kPa) Manifold pressure low 2.9" WC (0.72 kPa) Orifice size # 50 DMS Minimum input 17500 Btu/h (5.13 Kwh) Maximum input 35000 Btu/h (10.25Kwh) Altitude 0-4500 ft/pi (0-1372 m)	APPAREIL FONCTIONNANT AU PROPANE CONCU POUR ETRE POELE: Modèle P42-LP4 Pression d'alimentation minimum Pression à la tubulure d'échappement élevée Pression à la tubulure d'échappement basse Grandeur de l'injecteur Débit Calorifique - Ventilateur en Marche BTU Débit Calorifique - Ventilateur Éleint BTU Débit Calorifique minimum selon l'altitude Débit Calorifique maximum selon l'altitude
VENTING: This appliance must be installed in accordance with local codes, if any; if none, follow the National Fuel Gas Code, ANSI Z223.1/NFPA 54, or Natural Gas and Propane Installations Codes, CSA B149.1. For Manufactured Home Installation: This Direct Vent System Appliance must be installed in accordance with the manufacturer's installation instructions and Manufactured Home Construction and Safety Standard Title 24 CFR, Part 3280, or the current Standard for Fire Safety Criteria for Manufactured Home Installations, Sites, and Communities ANSI/NFPA 501A, and with CAN/CSA Z240 MH Mobile Home Standard in Canada. Electrical supply 115VAC, 1.13 A, 60Hz. NOT FOR USE WITH SOLID FUELS. This vented gas fireplace heater is not for use with air filters. Fan (Part # 600-915) Optional Bay Window (Part # 603-930) Option: HeatWave Kit # 946-556		Minimum Clearances to Combustibles / Degagement Minimum De Materiaux Combustibles  <p>0" clearance to combustibles from: Top, sides, bottom and rear of unit</p> <p>Mantel Clearances from Louver: A) Min. 7" (177mm)</p> <p>Max. Alcove Clearances: Depth 36" (914mm), Width 52" (1321mm), Height 90" (2286mm)</p> (See Instruction Manual for Detailed Instructions)
DOOR SEAL: Please check that the door is properly sealed		FPI Fireplace Products International Ltd. Delta, BC, Canada Made in Canada/ Fabrique au Canada 918-501
The "Bay Louvers" <u>MUST</u> be used with the Bay Glass option		

For the State of Massachusetts, installation and repair must be done by a plumber or gasfitter licensed in the Commonwealth of Massachusetts.

For the State of Massachusetts, flexible connectors shall not exceed 36 inches in length.

For the State of Massachusetts, the appliances individual manual shut-off must be a t-handle type valve.

The State of Massachusetts requires the installation of a carbon monoxide alarm in accordance with NFPA 720 and a CO alarm with battery back up in the same room where the gas appliance is installed.

MA Code - CO Detector (for the State of Massachusetts only)

5.08: Modifications to NFPA-54, Chapter 10

(2) Revise 10.8.3 by adding the following additional requirements:

(a) For all side wall horizontally vented gas fueled equipment installed in every dwelling, building or structure used in whole or in part for residential purposes, including those owned or operated by the Commonwealth and where the side wall exhaust vent termination is less than seven (7) feet above finished grade in the area of the venting, including but not limited to decks and porches, the following requirements shall be satisfied:

1. **INSTALLATION OF CARBON MONOXIDE DETECTORS.** At the time of installation of the side wall horizontal vented gas fueled equipment, the installing plumber or gasfitter shall observe that a hard wired carbon monoxide detector with an alarm and battery back-up is installed on the floor level where the gas equipment is to be installed. In addition, the installing plumber or gasfitter shall observe that a battery operated or hard wired carbon monoxide detector with an alarm is installed on each additional level of the dwelling, building or structure served by the side wall horizontal vented gas fueled equipment. It shall be the responsibility of the property owner to secure the services of qualified licensed professionals for the installation of hard wired carbon monoxide detectors

a. In the event that the side wall horizontally vented gas fueled equipment is installed in a crawl space or an attic, the hard wired carbon monoxide detector with alarm and battery back-up may be installed on the next adjacent floor level.

b. In the event that the requirements of this subdivision can not be met at the time of completion of installation, the owner shall have a period of thirty (30) days to comply with the above requirements; provided, however, that during said thirty (30) day period, a battery operated carbon monoxide detector with an alarm shall be installed.

2. **APPROVED CARBON MONOXIDE DETECTORS.** Each carbon monoxide detector as required in accordance with the above provisions shall comply with NFPA 720 and be ANSI/UL 2034 listed and IAS certified.

3. **SIGNAGE.** A metal or plastic identification plate shall be permanently mounted to the exterior of the building at a minimum height of eight (8) feet above grade directly in line with the exhaust vent terminal for the horizontally vented gas fueled heating appliance or equipment. The sign shall read, in print size no less than one-half (1/2) inch in size, "**GAS VENT DIRECTLY BELOW. KEEP CLEAR OF ALL OBSTRUCTIONS**".

4. **INSPECTION.** The state or local gas inspector of the side wall horizontally vented gas fueled equipment shall not approve the installation unless, upon inspection, the inspector observes carbon monoxide detectors and signage installed in accordance with the provisions of 248 CMR 5.08(2)(a)1 through 4.

(b) **EXEMPTIONS:** The following equipment is exempt from 248 CMR 5.08(2)(a)1 through 4:

1. The equipment listed in Chapter 10 entitled "Equipment Not Required To Be Vented" in the most current edition of NFPA 54 as adopted by the Board; and

2. Product Approved side wall horizontally vented gas fueled equipment installed in a room or structure separate from the dwelling, building or structure used in whole or in part for residential purposes.

(c) **MANUFACTURER REQUIREMENTS - GAS EQUIPMENT VENTING SYSTEM PROVIDED.** When the manufacturer of Product Approved side wall horizontally vented gas equipment provides a venting system design or venting system components with the equipment, the instructions provided by the manufacturer for installation of the equipment and the venting system shall include:

1. Detailed instructions for the installation of the venting system design or the venting system components; and

2. A complete parts list for the venting system design or venting system.

(d) **MANUFACTURER REQUIREMENTS - GAS EQUIPMENT VENTING SYSTEM NOT PROVIDED.** When the manufacturer of a Product Approved side wall horizontally vented gas fueled equipment does not provide the parts for venting the flue gases, but identifies "special venting systems", the following requirements shall be satisfied by the manufacturer:

1. The referenced "special venting system" instructions shall be included with the appliance or equipment installation instructions; and

2. The "special venting systems" shall be Product Approved by the Board, and the instructions for that system shall include a parts list and detailed installation instructions.

(e) A copy of all installation instructions for all Product Approved side wall horizontally vented gas fueled equipment, all venting instructions, all parts lists for venting instructions, and/or all venting design instructions shall remain with the appliance or equipment at the completion of the installation.

INSTALLATION

IMPORTANT MESSAGE SAVE THESE INSTRUCTIONS

The P42-NG/P42-LP Direct Vent Fireplace must be installed in accordance with these instructions. Carefully read all the instructions in this manual first. Consult the "authority having jurisdiction" to determine the need for a permit prior to starting the installation. It is the responsibility of the installer to ensure this fireplace is installed in compliance with manufacturers instructions and all applicable codes.

BEFORE YOU START

Safe installation and operation of this appliance requires common sense, however, we are required by the Canadian Safety Standards and ANSI Standards to make you aware of the following:

INSTALLATION AND REPAIR SHOULD BE DONE BY AN AUTHORIZED SERVICE PERSON. THE APPLIANCE SHOULD BE INSPECTED BEFORE USE AND AT LEAST ANNUALLY BY A PROFESSIONAL SERVICE PERSON. MORE FREQUENT CLEANING MAY BE REQUIRED DUE TO EXCESSIVE LINT FROM CARPETING, BEDDING MATERIAL, ETC. IT IS IMPERATIVE THAT CONTROL COMPARTMENTS, BURNERS AND CIRCULATING AIR PASSAGEWAYS OF THE APPLIANCE BE KEPT CLEAN.

DUE TO HIGH TEMPERATURES, THE APPLIANCE SHOULD BE LOCATED OUT OF TRAFFIC AND AWAY FROM FURNITURE AND DRAPERIES.

WARNING: FAILURE TO INSTALL THIS APPLIANCE CORRECTLY WILL VOID YOUR WARRANTY AND MAY CAUSE A SERIOUS HOUSE FIRE.

CHILDREN AND ADULTS SHOULD BE ALERTED TO THE HAZARDS OF HIGH SURFACE TEMPERATURES, ESPECIALLY THE FIREPLACE GLASS, AND SHOULD STAY AWAY TO AVOID BURNS OR CLOTHING IGNITION.

YOUNG CHILDREN SHOULD BE CAREFULLY SUPERVISED WHEN THEY ARE IN THE SAME ROOM AS THE APPLIANCE.

CLOTHING OR OTHER FLAMMABLE MATERIAL SHOULD NOT BE PLACED ON OR NEAR THE APPLIANCE.

GENERAL SAFETY INFORMATION

- 1) The appliance installation must conform with local codes or, in the absence of local codes, with the current Canadian or National Gas Codes, CAN1-B149 or ANSI Z223.1 Installation Codes.
- 2) The appliance when installed, must be electrically grounded in accordance with local codes, or in the absence of local codes with the current National Electrical Code, ANSI/NFPA 70 or CSA C22.1 Canadian Electrical Code.
- 3) See general construction and assembly instructions. The appliance and vent should be enclosed.
- 4) This appliance must be connected to the specified vent and termination cap to the outside of the building envelope. Never vent to another room or inside a building. Make sure that the vent is fitted as per Venting instructions.
- 5) Inspect the venting system annually for blockage and any signs of deterioration.
- 6) Venting terminals shall not be recessed into a wall or siding.
- 7) Any safety glass removed for servicing must be replaced prior to operating the appliance.
- 8) To prevent injury, do not allow anyone who is unfamiliar with the operation to use the fireplace.
- 9) Wear gloves and safety glasses for protection while doing required maintenance.
- 10) Be aware of electrical wiring locations in walls and ceilings when cutting holes for termination.
- 11) Under no circumstances should this appliance be modified. Parts that have to be removed for servicing should be replaced prior to operating this appliance.
- 12) Installation and any repairs to this appliance should be done by an authorized service person. A professional service person should be called to inspect this appliance annually. Make it a practice to have all of your gas appliances checked annually.
- 13) Do not slam shut or strike the glass door.

- 14) Under no circumstances should any solid fuels (wood, paper, cardboard, coal, etc.) be used in this appliance.
- 15) The appliance area must be kept clear and free of combustible materials, (gases and other flammable vapours and liquids).

Emissions from burning wood or gas could contain chemicals known to the State of California to cause cancer, birth defects or other reproductive harm.

INSTALLATION CHECKLIST

- 1) Locate appliance, refer to the following sections:
 - a) Locating Your Gas Fireplace
 - b) Clearances
 - c) Mantels
 - d) Mantels Legs Clearance
 - e) Framing and Finishing
- 2) Assemble Top Facing Support and Side Nailing Strips, see the "Top Assembly & Nailing Strips" section. **NOTE: must be done before installing unit into fireplace.**
- 3) Install venting, refer to the "Venting" section.
- 4) Make gas and electrical connections. Test the pilot. Must be as per diagram. See the "Pilot Adjustment" section.
- 5) Test Gas Pressure. Refer to the "Gas Pipe Pressure Testing" section.
- 6) Install standard and optional features. Refer to the following sections where applicable:
 - a. Brick Panels
 - b. Log Set
 - c. Standard Flush Door
 - d. Flush Louvers
 - e. Double Screen Door
 - f. Bay Door
 - g. Bay Louvers
 - h. Full Screen Front
 - i. Remote Control
 - j. Wall Switch
 - k. Wall Thermostat
- 11) Final check.

Before leaving this unit with the customer, the installer must ensure that the appliance is firing correctly and **operation fully explained to customer.**

This includes:

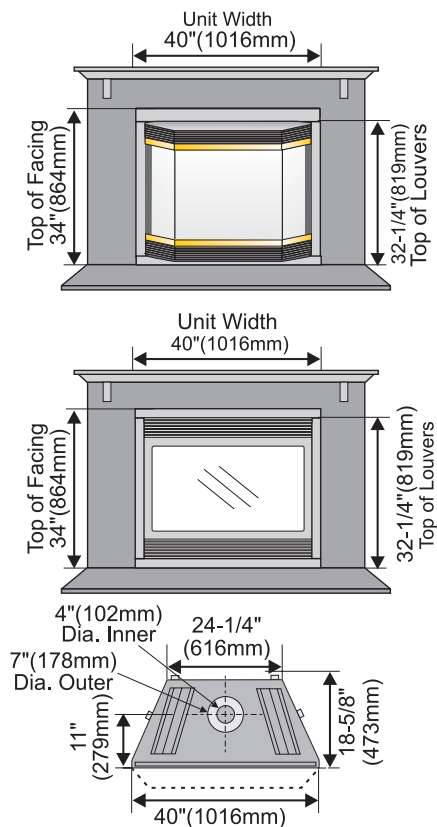
- 1) Clocking the appliance to ensure the correct firing rate (rate noted on label 35,000 Btu/h) after burning appliance for 15 minutes.
- 2) If required, adjusting the primary air to ensure that the flame does not carbon. First allow the unit to burn for 15-20 min. to stabilize.

CAUTION: Any alteration to the product that causes sooting or carboning that results in damage is not the responsibility of the manufacturer.

MANUFACTURED MOBILE HOME ADDITIONAL REQUIREMENTS

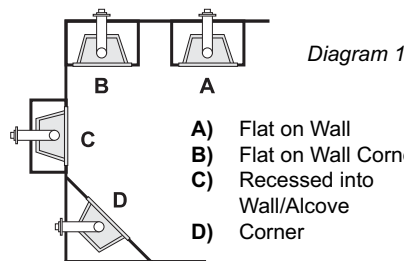
- 1) Ensure that structural members are not cut or weakened during installation.
- 2) Ensure proper grounding using the #8 ground lug provided. See the "Wiring Diagram" section.

UNIT SPECIFICATIONS



LOCATING YOUR GAS FIREPLACE

- 1) When selecting a location for your stove, ensure that the clearances outlined on this page are met.
- 2) Provide adequate clearances for servicing.
- 3) The appliance must be installed on a flat, solid, continuous surface (e.g. wood, metal, concrete). This may be the floor, or raised up on a platform to enhance its visual impact. If the appliance is going to be installed on carpeting, combustible linoleum tile or other combustible material other than wood flooring, the appliance must be installed on a metal or wood panel extending the full width and depth of the appliance.
- 4) The P42 Direct Vent Gas Fireplace can be installed in a recessed position or framed out into the room as in A, B, C, D. See Diagram 1.



- 5) This appliance is Listed for bedroom installations when used with a Listed Millivolt Thermostat. Some areas may have further requirements, check local codes before installation.
- 6) The P42 Direct Vent Gas Fireplace is approved for alcove installations, which meet the clearances listed on this page.
- 7) We recommend that you plan your installation on paper using exact measurements for clearances and floor protection before actually installing this appliance. Have an authorized inspector, dealer, or installer review your plans before installation.

Note: For vent terminations see the "Exterior Vent Termination Locations" section.



OPTIONAL DUCT SYSTEM KIT #946-556

The **HeatWave** Air Duct Kit increases the effectiveness of your fireplace by dispersing warm air from the fireplace to remote locations in the same room or other rooms in your home.

Up to two kits may be installed on the fireplace. **Please Note:** Only 1 HeatWave kit may be operated at one time. This includes the internal blower option as well.

OPTIONAL HEAT RELEASE KIT #946-570

The Heat Release Kit expels warm air from the fireplace to the outside of the building, allowing the fireplace to be operated with less heat entering the room. The kit may be used on either the left or right side.

HEARTH

A hearth is not mandatory, but is recommended for aesthetics and for added safety.

INSTALLATION

CLEARANCES

The clearances listed below are Minimum distances unless otherwise stated:

A major cause of chimney related fires is failure to maintain required clearances (air space) to combustible materials. It is of the greatest importance that this fireplace and vent system be installed only in accordance with these instructions.

Clearance to Combustibles from:

Back	0"	(0mm)
Side	0"	(0mm)
Floor	0"	(0mm)

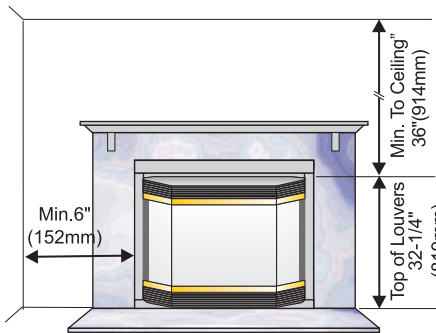
Minimum Clearance from Louver to to:

Mantel	min. 7"	(177mm)
Ceiling	36"	(914mm) from top of louvers

Side Wall	6"	(152mm)
Vent	1-1/2"	(38mm) Flex
	1-1/4"	(32mm) Rigid Pipe

Alcove Clearances:

Max. Depth	36"	(914mm)
Min. Width	52"	(1321mm)
Min. Height	90"	(2286mm)



WARNING
Fire hazard is an extreme risk if these clearances are not adhered to.

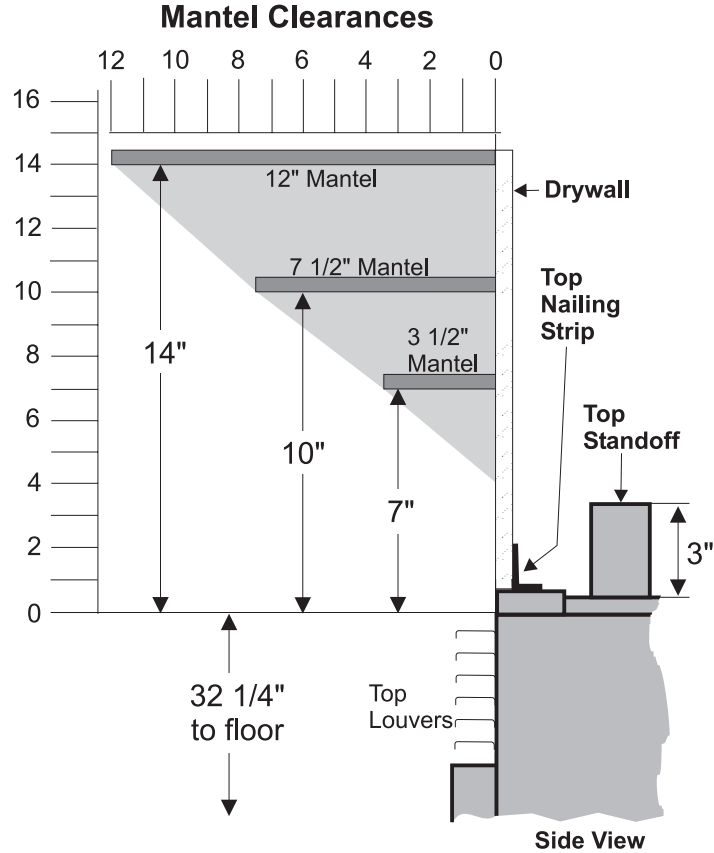
The **HeatWave** Duct Kit and the Heat Release Kit have different clearance and framing requirements, check the **HeatWave** and Heat Release manual for details.

Heat Release Kit

MANTELS

Because of the extreme heat this fireplace emits, the mantel clearances are critical. Combustible mantel clearances from louver are shown in the diagram below.

Note: A non-combustible mantel may be installed at a lower height if the framing is made of metal studs covered with a non-combustible board.



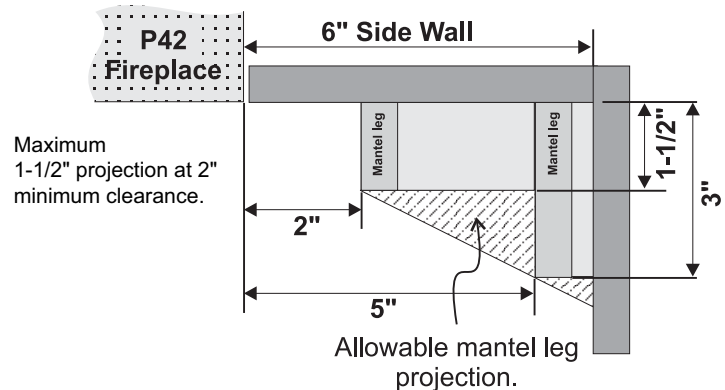
This drawing is to scale at 1:6 (one inch = 6 inches)

Mantel can be installed anywhere in shaded area using the above scale for units with the Flush Front and with the optional Bay Front.

Note: Ensure the paint that is used on the mantel and the facing is "heat resistant" or the paint may discolour.

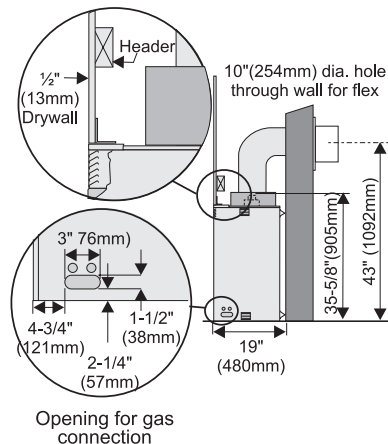
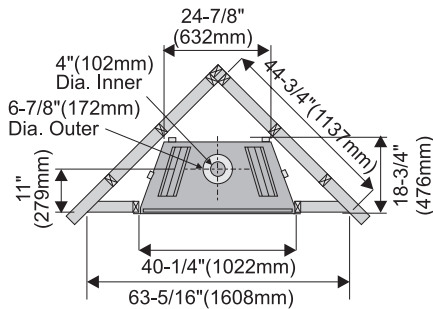
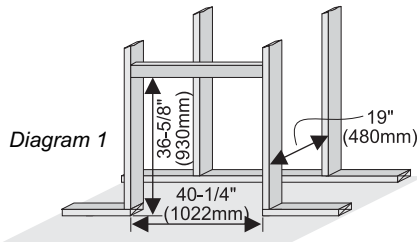
MANTEL LEG CLEARANCES

Combustible mantel leg clearances as per diagram below:



FRAMING AND FINISHING

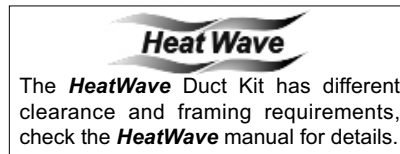
- 1) Determine the total thickness of facing material (ie. drywall plus ceramic tiles) to allow the finished surface to be flush with the front of the unit. Total facing thickness can vary from 1/2" (13mm) to 1-1/4" (32mm) thick.
- 2) Frame in the enclosure for the unit with framing material. The framed opening for the assembled kit is 36-5/8" high x 40-1/4" wide x 19" deep (930mm H x 1022mm W x 483mm D). See Diagram 1.



Note: 43" (1092mm) is the minimum height for flex termination and Rigid Pipe terminations.

- 3) For exterior walls, insulate the enclosure to the same degree as the rest of the house, apply vapour barrier and drywall, as per local installation codes. (Do not insulate the fireplace itself.)
- 4) The top louvers must not be closer than 36" (914mm) to the ceiling.

- 5) The unit does not have to be completely enclosed in a chase. The clearance on top of the unit from the top standoffs is 0" so combustible building materials can be laid directly on top of the standoffs. You must maintain these clearances from the vent to combustible materials: Flex Termination clearance 1-1/2" (38mm), Simpson Dura-Vent clearance or (1-1/4" (32mm). Combustible materials can be laid against the side and back standoffs and the fireplace base.



TOP ASSEMBLY & NAILING STRIPS

The Top Facing Support and Side Nailing Strips must be correctly positioned and attached before the unit is slipped into position.

- 1) The top standoffs are shipped installed.
- 2) The Top Facing Support and the 2 Side Nailing Strips can be installed at different depths depending on the width of your facing. Match the depths of the top facing support and the side nailing strips.
 - a) Mount Top Facing Support using the 3 supplied screws into the 3 pre-punched screw holes on the top front of the unit. See Diagrams 2 & 3 for the proper position of the Top Facing Support for the various material depths.

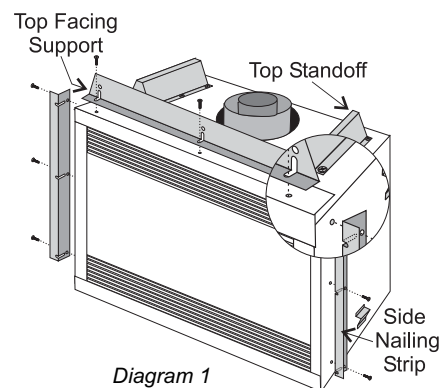


Diagram 1

Position of Top Facing Support for material depth of 1/2"

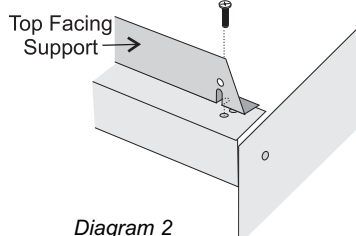


Diagram 2

Position of Top Facing Support for material depth of 3/4" to 1-1/2"

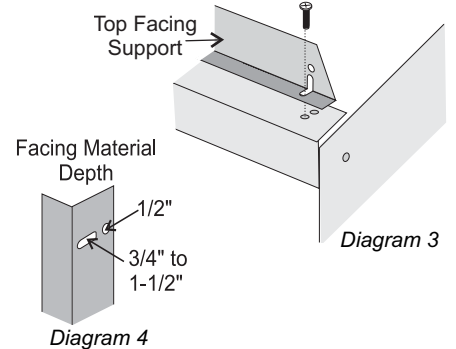


Diagram 3

Diagram 4

- b) Mount the Side Nailing Strip using the 3 supplied screws into the 3 screw holes or slots (diagram 4) on the side of the unit and repeat for the other side. Use the hole for a 1/2" (13mm) thick facing material and the slot for a range of thickness from 3/4" to 1-1/2" (25mm to 38mm).

VENTING INTRODUCTION

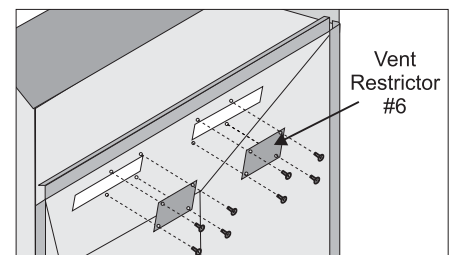
The P42 uses the "balanced flue" technology Co-Axial system. The inner liner vents products of combustion to the outside while the outer liner draws outside combustion air into the combustion chamber thereby eliminating the need to use heated room air for combustion and losing warm room air up the chimney.

Note: These flue pipes must not be connected to any other appliance.

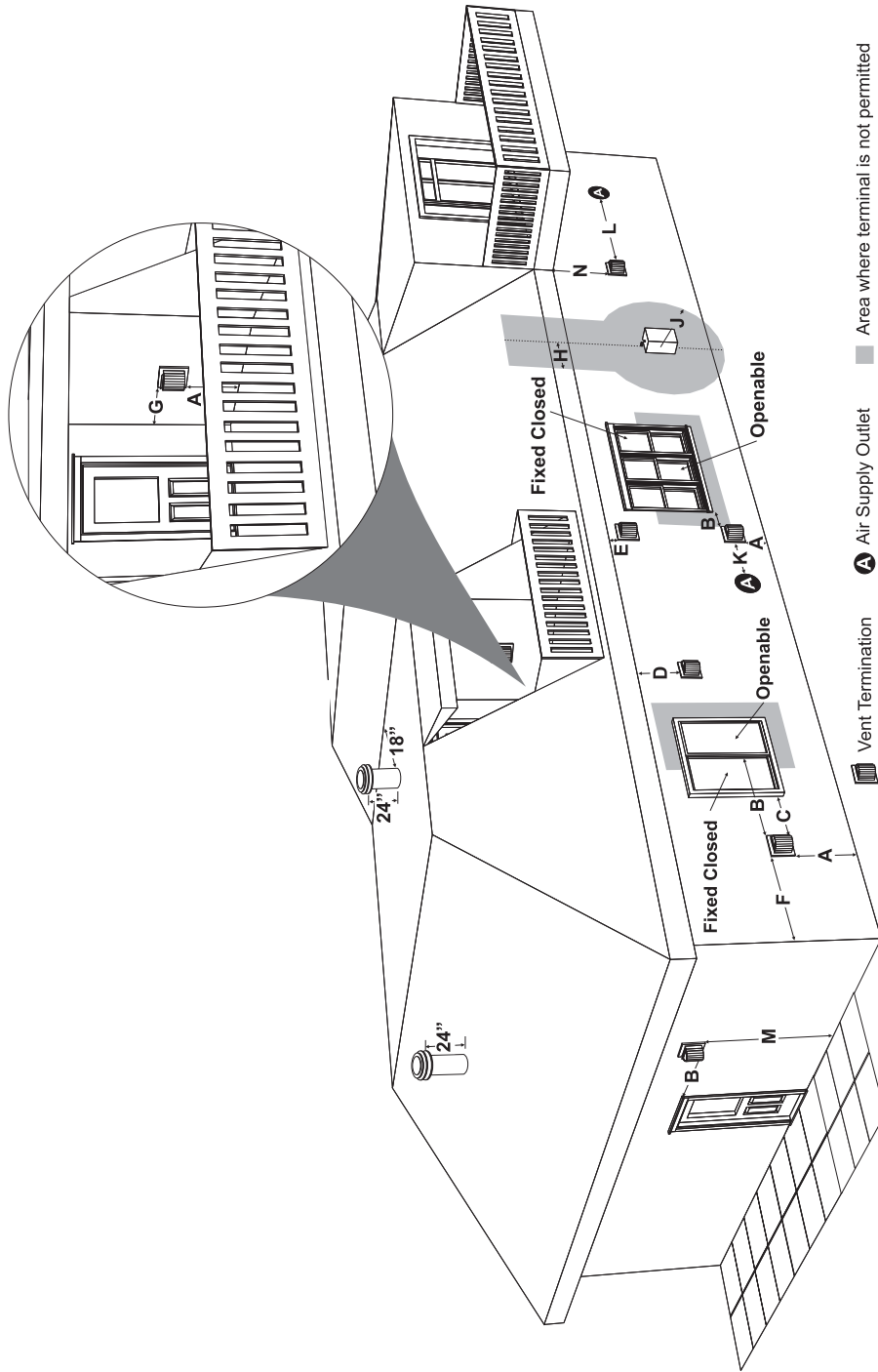
The gas appliance and vent system must be vented directly to the outside of the building, and never be attached to a chimney serving a separate solid fuel or gas burning appliance. Each direct vent gas appliance must use its own separate vent system. Common vent systems are prohibited.

VENT RESTRICTOR

A vent restrictor may be required. Check the diagrams in the "Rigid Pipe Venting Arrangements" section to determine if the #6 restrictor is needed for your vent configuration. If required, attach the 2 piece #6 restrictor using 4 screws per piece to the inside top of the firebox.



EXTERIOR VENT TERMINATION REQUIREMENTS



- A= Clearance above grade, veranda, porch, deck, or balcony *(min. 12"/30cm)
 B= Clearance to window or door that may be opened *(12"/30cm)
 C= Clearance to permanently closed window *(min. 12"/30cm)
 D= Vertical clearance to ventilated soffit located above the terminal within a horizontal distance of (24"/60cm) from the centerline of the terminal (min. 18"/46cm) check with local code.
 E= Clearance to unventilated soffit (min. 15"/38cm)
 F= Clearance to outside corner: with **AstroCap** Termination Cap (min 6"/15cm), with Dura-Vent Termination Cap (13"/33cm)
 G= Clearance to inside corner: with **AstroCap** Termination Cap (min 6"/15cm), with Dura-Vent Termination Cap (12"/30cm)
 H= Not to be installed above a meter/regulator assembly within (3'/90cm) horizontally from the centerline of the regulator.
 J= Clearance to service regulator vent outlet *(min 36"/90cm)
 K= Clearance to non-mechanical air supply inlet to building or the combustion air inlet to any other appliance *(12"/30cm)
 L= Clearance to a mechanical air supply inlet *(min. 72"/1.8m)
 M= Clearance above paved sidewalk or a paved driveway located on public property *(min. 84"/2.1m)
 N= Clearance under veranda, porch, deck, or balcony *(min. 12"/30cm)

Note:

- A vent shall not terminate directly above a sidewalk or paved driveway which is located between two single family dwellings and serves both dwellings.
 - Only permitted if veranda, porch, deck, or balcony is fully open on a minimum of two sides beneath the floor.
 - If the vent termination is accessible, a certified guard shall be installed.
- * As specified in CGA B149 Installation Code. Note: Local codes or regulations may require different clearances.

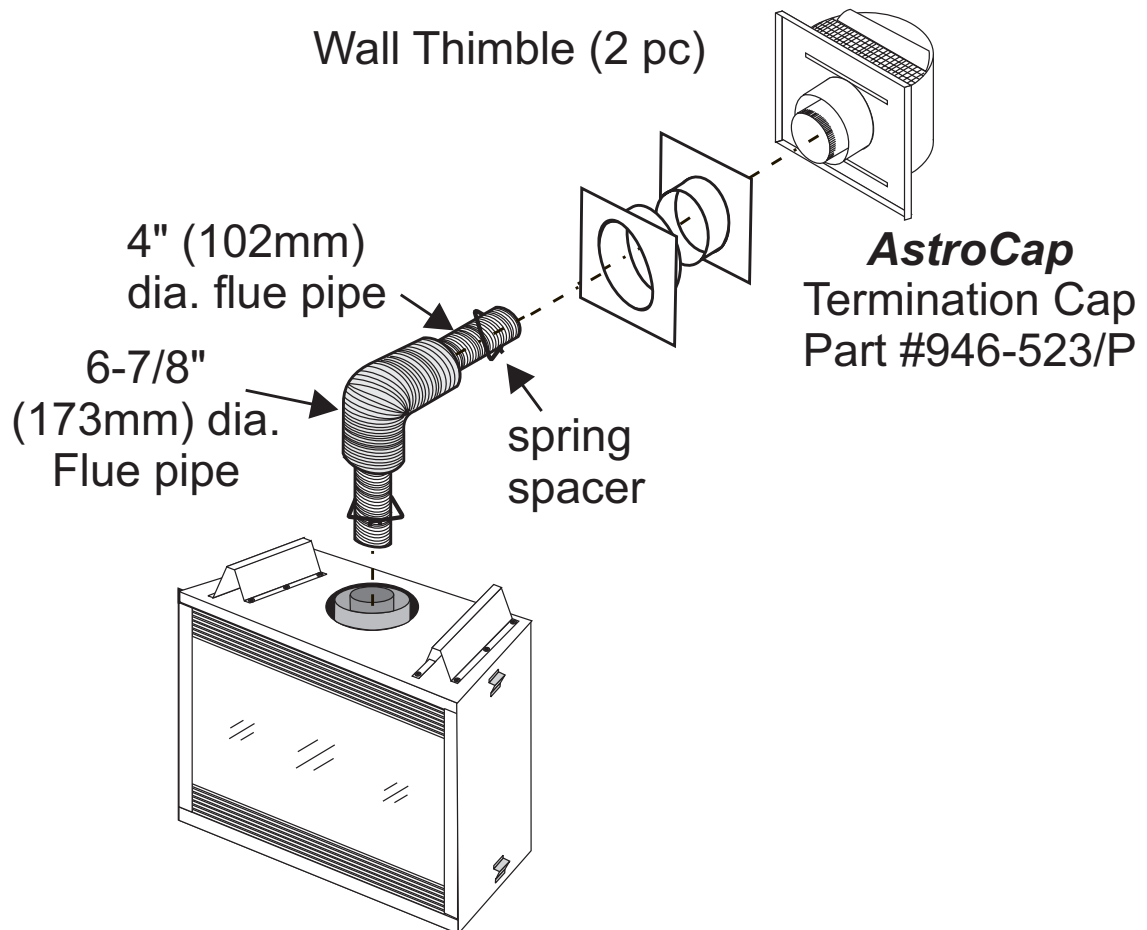
VENTING

Regency® Direct Vent System (Flex) Horizontal Terminations Only

These venting systems, in combination with the P42 Direct Vent Gas Fireplace, have been tested and listed as a direct vent heater system by Warnock Hersey. The location of the termination cap must conform to the requirements in the Vent Terminal Locations diagram in the "Exterior Vent Termination Locations" section.

Regency® Direct Vent (Flex) System Termination Kit (Part # 946-515) includes all the parts needed to install the P42 with a maximum run of 4 feet.

- 1) 6-7/8" dia. flexible liner (4 ft. length)
- 2) 4" dia. flexible liner (4 ft. length)
- 3) spring spacers (4)
- 4) thimble (2)
- 5) **AstroCap** termination cap (1)
- 6) screws (12)
- 7) tube of Mill Pac (1)
- 8) plated screws (8)
- 9) screws #8 x 1/2" Drill Point, stainless steel (4)



If longer runs are needed, the Regency® Direct Vent system (Flex) # 946-516 includes all the parts needed to install the P42 with a maximum 10' run.

- 1) 6-7/8" dia. flexible liner (10 ft. length)
- 2) 4" dia. flexible liner (10 ft. length)
- 3) spring spacers (7)
- 4) thimble (2)
- 5) **AstroCap** termination cap (1)
- 6) screws (12)
- 7) tube of Mill Pac (1)
- 8) plated screws (8)
- 9) screws #8 x 1/2" Drill Point, stainless steel (4)

Note:

- a) Liner sections should be continuous without any joints or seams.
- b) Only Flex pipe purchased from Regency® may be used for Flex Installations.

INSTALLATION

4" X 6-5/8" RIGID PIPE CROSS REFERENCE CHART

Components from different Manufacturers may not be mixed. Not All Rigid Pipe components are available directly from FPI.

Description	Simpson Direct Vent Pro®	Simpson Direct Vent GS® Discontinued	Selkirk Direct-Temp™	American Metal Products® Amerivent Direct	Metal-Fab® Sure Seal	Security Secure Vent®
6" Pipe Length, Galvanized	46DVA-06	908	4DT-6	N/A	4D6	SV4L6
6" Pipe Length, Black	46DVA-06B	908B	4DT-6B	N/A	4D6B	SV4LB6
7" Pipe Length, Galvanized	N/A	N/A	N/A	4D7	N/A	N/A
7" Pipe Length, Black	N/A	N/A	N/A	4D7B	N/A	N/A
9" Pipe Length, Galvanized	46DVA-09	907	4DT-9	N/A	N/A	N/A
9" Pipe Length, Black	46DVA-09B	907B	4DT-9B	N/A	N/A	N/A
12" Pipe Length, Galvanized	46DVA-12	906	4DT-12	4D12	4D12	SV4L12
12" Pipe Length, Black	46DVA-12B	906B	4DT-12B	4D12B	4D12B	SV4LB12
18" Pipe Length, Galvanized	46DVA-18	N/A	4DT-18	N/A	4D18	SV4LA
18" Pipe Length, Black	46DVA-18B	N/A	4DT-18B	N/A	4D18B	SV4LA
24" Pipe Length, Galvanized	46DVA-24	904	4DT-24	4D2	4D24	SV4L24
24" Pipe Length, Black	46DVA-24B	904B	4DT-24B	4D2B	4D24B	SV4LB24
36" Pipe Length, Galvanized	46DVA-36	903	4DT-36	4D3	4D36	SV4L36
36" Pipe Length, Black	46DVA-36B	903B	4DT-36B	4D3B	4D36B	SV4LB36
48" Pipe Length, Galvanized	46DVA-48	902	4DT-48	4D4	4D48	SV4L48
48" Pipe Length, Black	46DVA-48B	902B	4DT-48B	4D4B	4D48B	SV4LB48
60" Pipe Length, Galvanized	46DVA-60	N/A	N/A	N/A	N/A	N/A
60" Pipe Length, Black	46DVA-60B	N/A	N/A	N/A	N/A	N/A

Adjustable Length 3"-10", Galvanized	N/A	N/A	N/A	N/A	4DAL	N/A
Adjustable Length 3"-10", Black	N/A	N/A	N/A	N/A	4DALB	N/A
Adjustable Length 11"-14", Galvanized	Disc - See 46DV-08A	N/A	4DT-AJ	N/A	N/A	N/A
Adjustable Length 11"-14", Black	Disc - See 46DV-08AB	911B	4DT-AJB	N/A	N/A	N/A
Adjustable Length 17"-24", Galvanized	Disc - See 46DV-16A	917 - N/A from FPI	N/A	N/A	N/A	N/A
Adjustable Length 17"-24", Black	Disc - See 46DV-16AB	917B	N/A	N/A	N/A	SV4LBA24
Adjustable Length 7", Galvanized	N/A	N/A	N/A	4D7A	N/A	N/A
Adjustable Length 7", Black	N/A	N/A	N/A	4D7AB	N/A	N/A
Extension Pipe 8-1/2", Galvanized	46DVA-08A	N/A	N/A	N/A	N/A	N/A
Extension Pipe 8-1/2", Black	46DVA-08AB	N/A	N/A	N/A	N/A	N/A
Adjustable Length 12", Galvanized	N/A	N/A	N/A	4D12A	N/A	SV4LA12
Adjustable Length 12", Black	N/A	N/A	N/A	4D12AB	N/A	SV4LBA12
Extension Pipe 16", Galvanized	46DVA-16A	N/A	N/A	N/A	N/A	N/A
Extension Pipe 16", Black	46DVA-16AB	N/A	N/A	N/A	N/A	N/A

45° Elbow, Galvanized	46DVA-E45	945	4DT-EL45	4D45L	N/A	N/A
45° Elbow, Black	46DVA-E45B	945B	4DT-EL45B	4D45LB	N/A	N/A
45° Elbow, Swivel, Galvanized	Disc - See 46DVA-E45	945G	N/A	N/A	4D45L	SV4E45
45° Elbow, Swivel, Black	Disc - See 46DVA-E45B	945BG	N/A	N/A	4D45LB	SV4EB45
90° Elbow, Galvanized	46DVA-E90	990	4DT-EL90S	4D90LS	N/A	N/A
90° Elbow, Black	46DVA-E90B	990B	4DT-EL90SB	4D90LBS	N/A	SV4EBR90-1
90° Elbow, Swivel, Galvanized	Disc - See 46DVA-E90	990G	N/A	N/A	4D90L	SV4E90-1
90° Elbow, Swivel, Black	Disc - See 46DVA-E90B	990BG	N/A	N/A	4D90LB	SV4EB90-1
90° Starter Elbow, Swivel, Galvanized*	N/A	N/A	N/A	N/A	4D90A	N/A
Adaptor*	N/A	N/A	N/A	N/A	4DDA	N/A

Ceiling Support	N/A	949 - N/A from FPI	4DT-CS	4DFSP	4DSP	SV4SD
Cathedral Support Box	46DVA-CS	941	4DT-CSS	4DRSB	4DRS	SV4CSB
Wall Support/Band	46DVA-WS	988	4DT-WS/B	4DWS	4DWS	SV4BM
Offset Support	46DVA-ES - N/A from FPI	989 - N/A from FPI	4DT-OS	N/A	N/A	SV4SU
Wall Thimble, Black	46DVA-WT	942	4DT-WT	4DWT	4DWT	SV4RSM
Wall Thimble Support Box/Ceiling Support	46DVA-DC	N/A	N/A	N/A	N/A	SV4PF
Firestop Spacer	46DVA-FS	963	4DT-FS	4DFSP	4DFS	SV4BF
Trim Plate, Black	N/A	N/A	4DT-TP	4DFPB	4DCP	SV4LA
Masonry Chimney Flashing	N/A	N/A	N/A	N/A	N/A	N/A
Brass Trim for Wall Thimble/Ceiling Support	DISC.	3951	N/A	N/A	N/A	N/A

4" x 6-5/8" Rigid Pipe Cross Reference Chart (Cont.)

Components from different Manufacturers may not be mixed. Not All Rigid Pipe components are available directly from FPI.

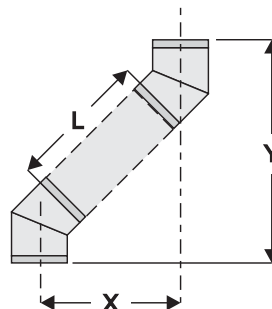
Description	Simpson Direct Vent Pro®	Simpson Direct Vent GS® Discontinued	Selkirk Direct-Temp™	American Metal Products® Amerivent Direct	Metal-Fab® Sure Seal	Security Secure Vent®
Attic Insulation Shield 12"	46DVA-IS - N/A from FPI	N/A	N/A	4DAIS12	N/A	SV4RSA
Attic Insulation Shield - Cold Climates 36"	N/A	N/A	N/A	4DAIS36	N/A	N/A
Basic Horizontal Termination Kit (A)	DISC.	970	4DT-HKA	4DHTK2	4DHTKA	SV - SHK
Horizontal Termination Kit (B)	46DVA-KHA (Changed Components)	971	4DT-HKB	4DHTK1	4DHTKB	SV - HK
Vertical Termination Kit	DISC.	978	4DT-VKC	4DVTK	4DVTK	SV - FK
High Wind Vertical Cap	46DVA-VCH	991	N/A	N/A	N/A	N/A
High Wind Horizontal Cap	46DVA-HC	985	N/A	N/A	N/A	N/A
Horizontal Square Termination Cap	Disc - See 46DVA-HC	984	4DT-HHC	4DHC	4DHT	SV4CHC-1
Vertical Termination Cap	46DVA-VC	980	4DT-HVC	4DVC	4DVT	SV4CGV-1
Storm Collar	46DVA-SC	953	4DT-SC	4DSC	4DSC	SV4FC
Adjustable Flashing, 0/12-6/12	46DVA-F6	943	4DT-AF6	4DF	4DF	SV4FA
Adjustable Flashing, 6/12-12/12	46DVA-F12	943S	4DT-AF12	4DF12	4DF-12	SV4FB
Vinyl Siding Standoff	46DVA-VSS	950	4DT-VS	N/A	4DVS	SV4VS
Vinyl Siding Shield Plate	N/A	N/A	4DT-VSP	N/A	N/A	SV4VS
Snorkel Termination 14"	46DVA-SNK14	982	4DT-ST14	4D12S	4DST14	SV4STC14
Snorkel Termination 36"	N/A	981	4DT-ST36	4D36S	4DST36	SV4STC36
Restrictor Disk	46DVA-RD	929	N/A	N/A	N/A	N/A
Extended Vertical Termination Cap	46DVA-VCE	930	N/A	N/A	N/A	N/A
Chimney Conversion Kit A	46DVA-KCA	931	N/A	N/A	N/A	N/A
Chimney Conversion Kit B	46DVA-KCB	932	N/A	N/A	N/A	N/A
Chimney Conversion Kit C	46DVA-KCC	933	N/A	N/A	N/A	N/A
Chimney Conversion Kit Masonry	46DVA-KMC	934	N/A	N/A	N/A	N/A
Masonry Chimney Conversion Kit (includes: Cap Adapter 18"x18" Flashing)	46DVA-KCT	935	N/A	N/A	N/A	N/A
Wall Firestop	46DVA-WFS	947	N/A	N/A	N/A	N/A
Colinear Flex Connectors	46DVA-ADF	923F	N/A	N/A	N/A	N/A
FPI						
946-506/P	Vent Guard (Optional) for AstropCap	946-205	Vinyl Siding Shield for Riser Vent Terminal			
510-994	Rigid Pipe Adapter (Must use with all Rigid Piping)	946-208/P	Vent Guard (Optional) for Riser Vent Terminal			
640-530/P	Riser Vent Terminal	946-523/P	AstroCap Horizontal Cap			
		946-206	Vinyl Siding Standoff for AstroCap			

***NOTE:** When using Metal-Fab Sure Seal Rigid Piping please note that either the Adaptor (4DDA) or 90° Starter Elbow (4D90A) must be used in conjunction with FPI Rigid Pipe Adaptor (510-994).

Offset Pipe Selection:

Use this table to determine offset pipe lengths.

Pipe Length	4" x 6-5/8" Venting	
	Run (X)	Rise (Y)
0"(0mm)	4-7/8"(124mm)	13-3/8"(340mm)
6"(152mm)	8"(203mm)	16-1/2"(419mm)
9"(229mm)	10-1/8"(257mm)	18-5/8"(473mm)
12"(305mm)	12-1/4"(311mm)	20-3/4"(527mm)
24"(610mm)	20-5/8"(524mm)	29-1/8"(740mm)
36"(914mm)	29"(737mm)	37-1/2"(953mm)
48"(1219mm)	37-7/16"(951mm)	45-15/16"(1167mm)



For specific instructions or details on particular venting components please visit the following websites:

Simpson Direct Vent Pro: www.duravent.com

Selkirk Direct-Temp: www.selkirkcorp.com

American Metal Products Amerivent Direct:
www.americanmetalproducts.com

Metal-Fab Sure Seal: www.mtfab.com

Security Secure Vent: www.securitychimneys.com

NOTE: Horizontal runs of vent must be level, or have a 1/4 inch rise for every 1 foot of run towards the termination. Never allow the vent to run downward. This could cause high temperatures and may present a possible fire hazard.

INSTALLATION

RIGID PIPE VENTING *Horizontal or Vertical Terminations*

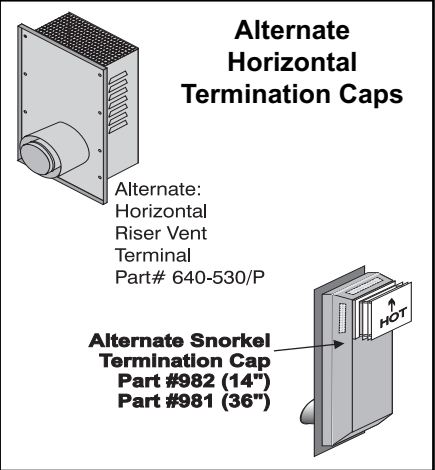
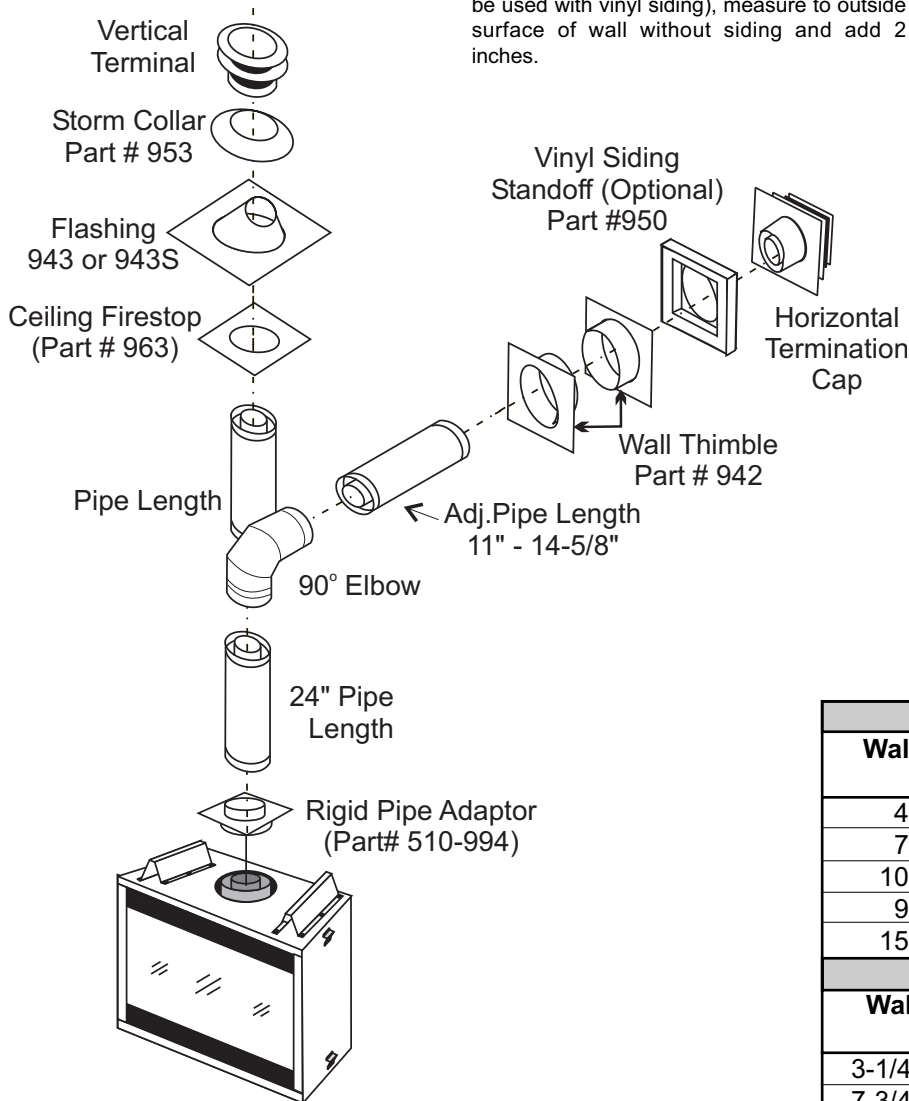
The Rigid Pipe Venting System offers a complete line of component parts for installation of both horizontal and vertical installations. Many items are offered in decorative black, as well as galvanized finish. We recommend using the galvanized finish for installation with the P42.

The minimum components required for a basic horizontal termination are:

- 1 Horizontal Termination Cap
- 1 90° Elbow
- 1 Flue Adaptor
- 1 Wall Thimble
- 1 Length of pipe to suit wall thickness (see chart)

Wall thickness is measured from the back standoffs to the inside mounting surface of termination cap. For siding other than vinyl furring strips may be used, instead of the vinyl siding standoff, to create a level surface to mount the vent terminal. The Terminal must not be recessed into siding. Measure the wall thickness including furring strips.

If a Vinyl Siding Standoff is required (it must be used with vinyl siding), measure to outside surface of wall without siding and add 2 inches.



WARNING:
Do not combine venting components from different venting systems.
However use of the the AstroCap™ and FPI Riser is acceptable with all systems.
This product has been evaluated by Intertek for using a Rigid Pipe Adaptor in conjunction with Duravent Direct-Vent GS, Selkirk Direct-Temp, Ameri Vent Direct venting and Security Secure Vent systems. Use of these systems with the Rigid Pipe adaptor is deemed acceptable and does not affect the Intertek WHI listing of components.

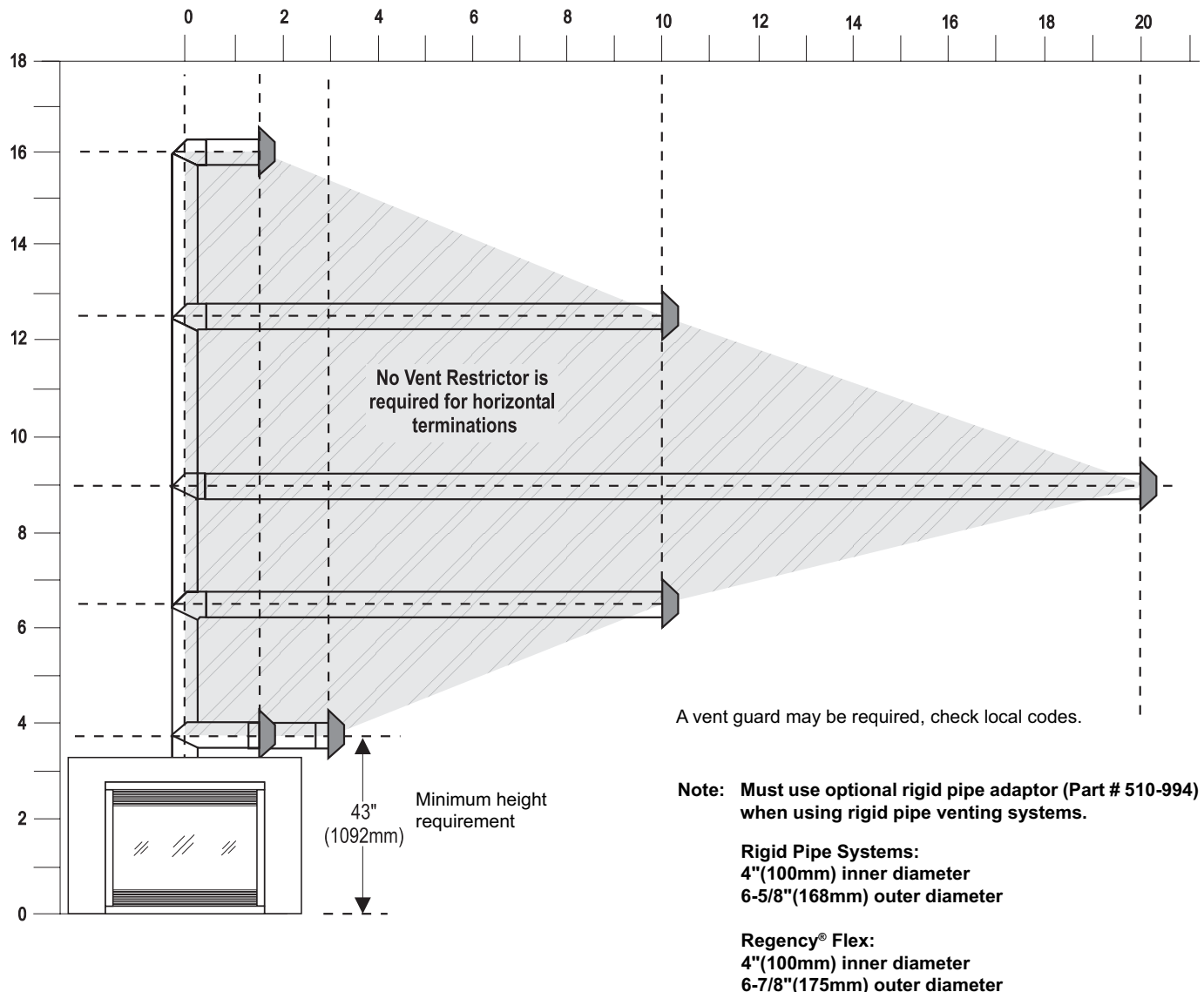
When using Rigid Vent other than Simpson Dura-Vent, 3 screws must be used to secure rigid pipe to adaptor.

Flat Wall Installation	
Wall Thickness (inches)	Vent Length Required (inches)
4" - 5-1/2"	6"
7" - 8-1/2"	9"
10" - 11-1/2"	12"
9" - 14-1/2"	11" - 14-5/8" Adj. Pipe
15" - 23-1/2"	17" - 24" Adj. Pipe
Corner Installation	
Wall Thickness (inches)	Vent Length Required (inches)
3-1/4" - 6-3/4"	11" - 14-5/8" Adj. Pipe
7-3/4" - 16-1/4"	17" - 24" Adj. Pipe
7-1/4" - 8-3/4"	6" + 12"
	9" + 9"
4-1/4" - 5-3/4"	6" + 9"

The FPI AstroCap™ and FPI Riser Vent terminal are certified for installations using FPI venting systems as well as Simpson Dura-Vent® Direct Vent GS, American Metal Products Ameri Vent Direct Vent, Security Secure Vent®, Selkirk Direct-Temp. AstroCap™ is a proprietary trademark of FPI Fireplace Products International Ltd. Dura-Vent® and Direct Vent GS are registered and/or proprietary trademarks of Simpson Dura-Vent Co. Inc.

RIGID PIPE VENTING ARRANGEMENTS - HORIZONTAL TERMINATIONS REGENCY® DIRECT VENT SYSTEM (FLEX) (Propane & Natural Gas)

The shaded areas in the diagram show all allowable combinations of vertical runs with horizontal terminations. The chart below shows the distances with one 90° bend (two 45° elbows equal one 90° elbow). For a second 90° bend, see the "Rigid Pipe Venting Arrangements - Horizontal Terminations" section.



- Rigid Pipe Systems: Maintain a 1-1/4" (32mm) clearance to combustibles
- Regency® Flex: Maintain a 1-1/2" (38mm) clearance to combustibles
- Horizontal vent must be supported every 3 feet (0.9 meter)
- Firestops are required at each floor level and whenever passing through a wall

Note: Regency® Direct Vent System (Flex) is only approved for horizontal terminations.

INSTALLATION

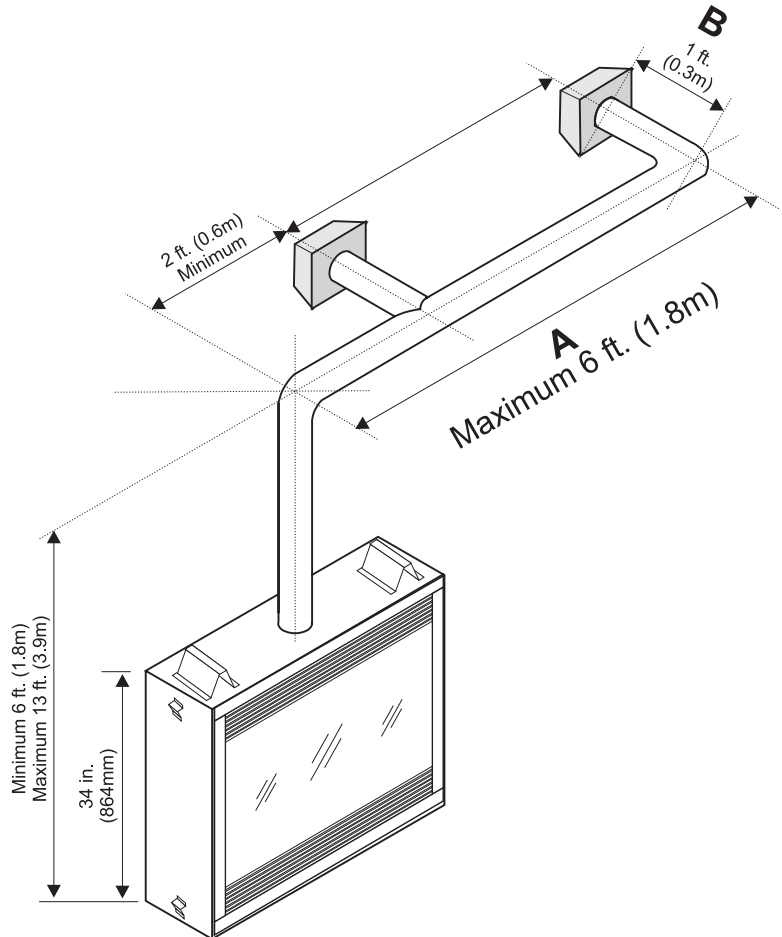
RIGID PIPE VENTING ARRANGEMENTS - HORIZONTAL TERMINATIONS REGENCY® DIRECT VENT SYSTEM (FLEX) - Propane & Natural Gas

The diagram below shows examples of horizontal termination arrangements using two 90° elbows.

- Note:
- 1) A maximum of two 90° elbows are permitted (two 45° elbows equal one 90° elbow).
 - 2) A minimum of 6 ft.(1.8m) vertical from base of unit is required if two 90° elbows are used.
 - 3) Minimum distance between elbows is 2 ft. (0.6m).

If length "B" is increased, length "A" must be decreased by a corresponding amount.

For All Horizontal Terminations
All Rigid Pipe Systems 4" inner diameter 6-5/8" outer diameter
Regency® Flex Vent 4" inner diameter 6-7/8" outer diameter
A vent guard may be required, check local codes.
<ul style="list-style-type: none">• Maintain a 1-1/4" clearance to combustibles for rigid pipe systems and 1-1/2" for Regency® Flex Vent.• Horizontal vent must be supported every 3 feet• Firestops are required at each floor level and whenever passing through a wall.
Note: Regency®DirectVentSystem(Flex)isonly approved for horizontal terminations.



RIGID PIPE VENTING ARRANGEMENTS - VERTICAL TERMINATIONS (Propane & Natural Gas)

The shaded area in the diagram shows all allowable combinations of straight vertical and offset to vertical terminations with **rigid pipe** vent systems for Propane and Natural Gas.

Maximum two 45° elbows allowed.

- Vent restrictor #6 must be used in shaded area in diagram below.
- Vent must be supported at offsets

The P42 is approved for a 37 ft. (11.3m) straight vertical, including a 20" (0.5m) horizontal offset using two 90° elbow (two 45° elbows equal one 90° elbow) with **rigid pipe** vent systems for Propane and Natural Gas, as per the diagram to the right.

- Vent restrictor #6 is required for terminations in shaded area.
- Vent must be supported at offsets.

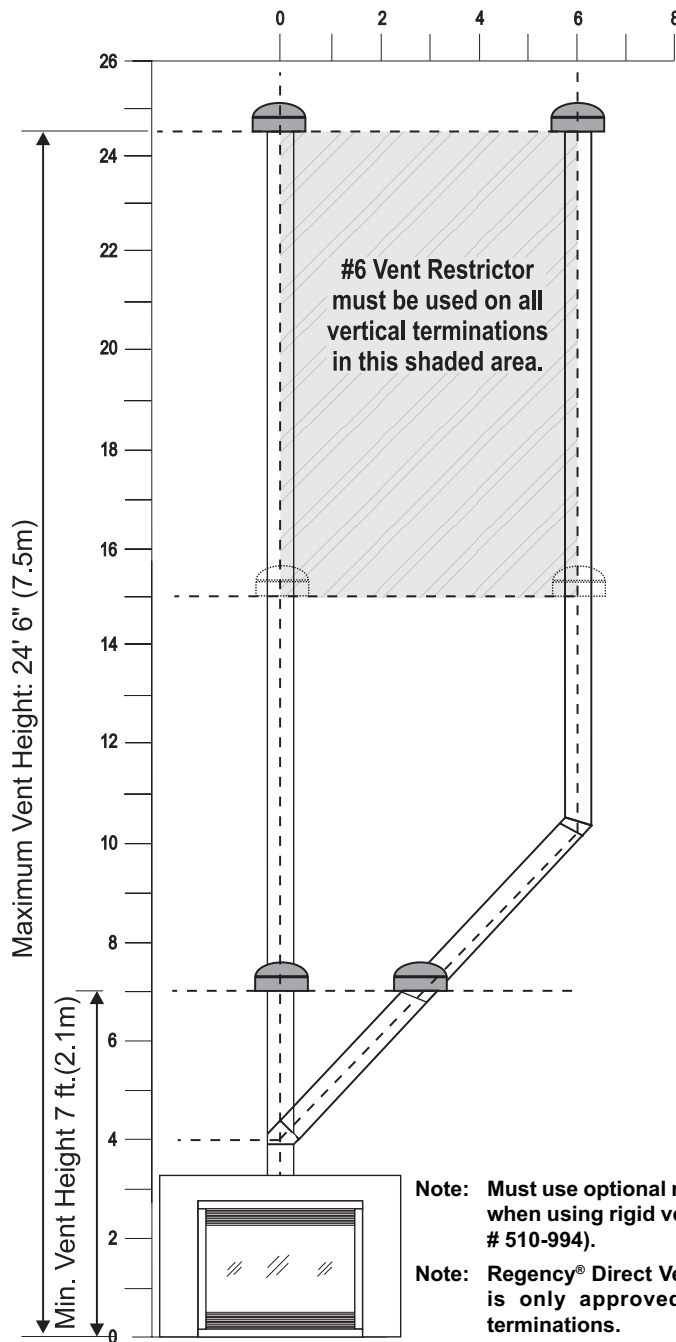


Diagram 1

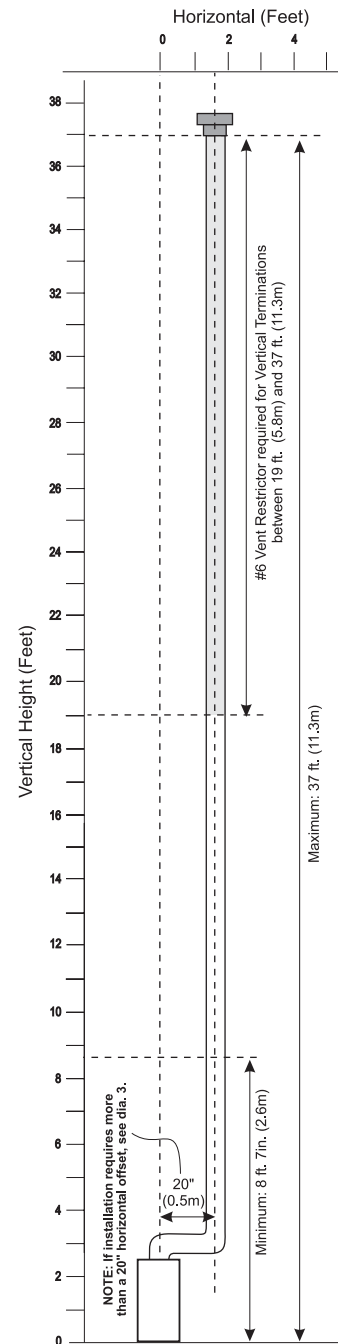


Diagram 2

INSTALLATION

The P42 is approved for a 23 ft. (7.0m) vertical, with a maximum 12 ft (3.7m) horizontal offset using two 90° elbows (two 45° elbows equal one 90° elbow) with **rigid pipe** vent systems for Propane and Natural Gas, as per the diagram below.

- No Vent restrictor is required.
- Vent must be supported at offsets

The P42 is approved for a 37 ft. (11.3m) straight vertical, with **rigid pipe** vent systems for Propane and Natural Gas, as per the diagram below.

- Vent restrictor #6 must be used

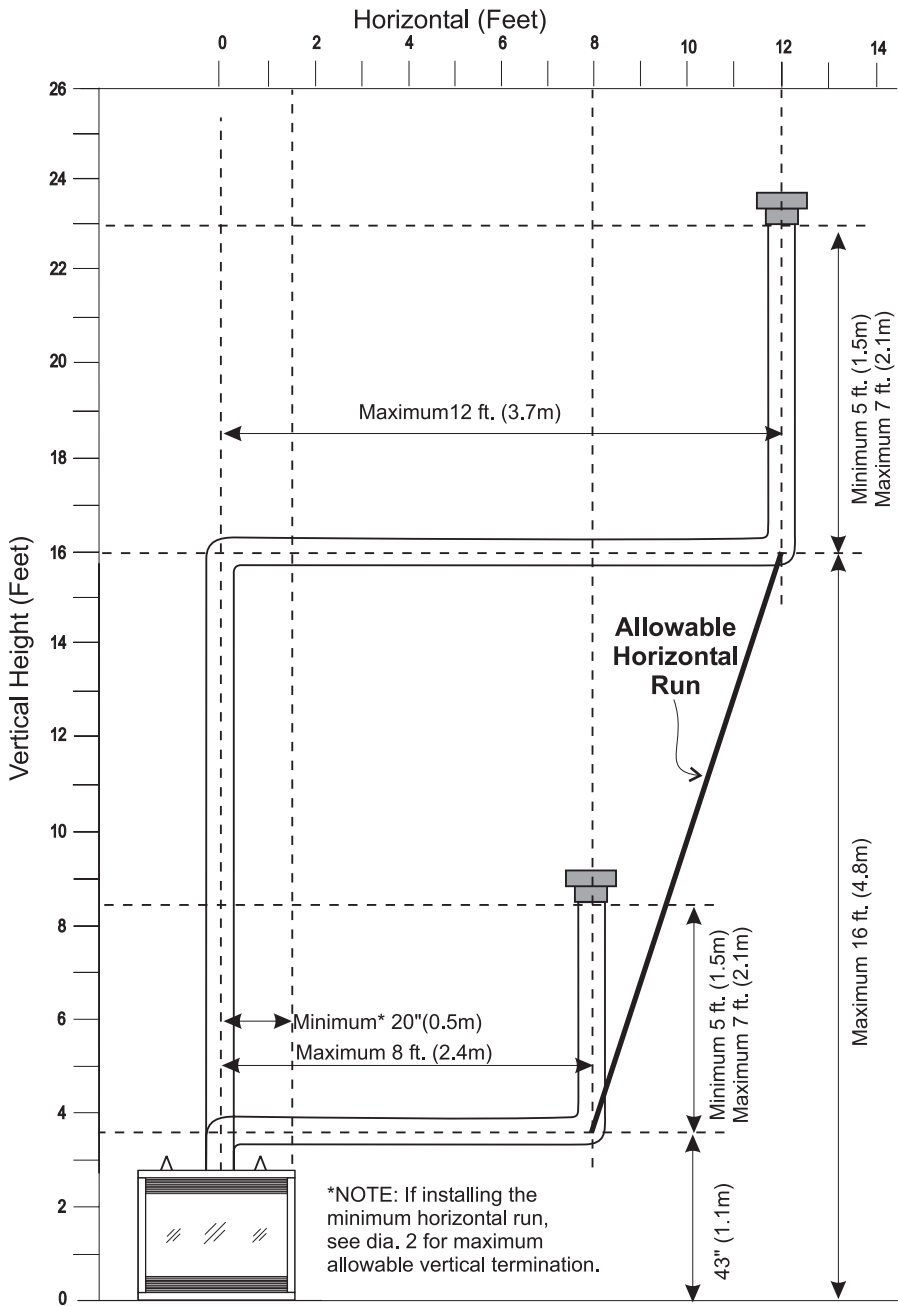


Diagram 3

Note: Regency® Direct Vent System (Flex) is only approved for horizontal terminations.

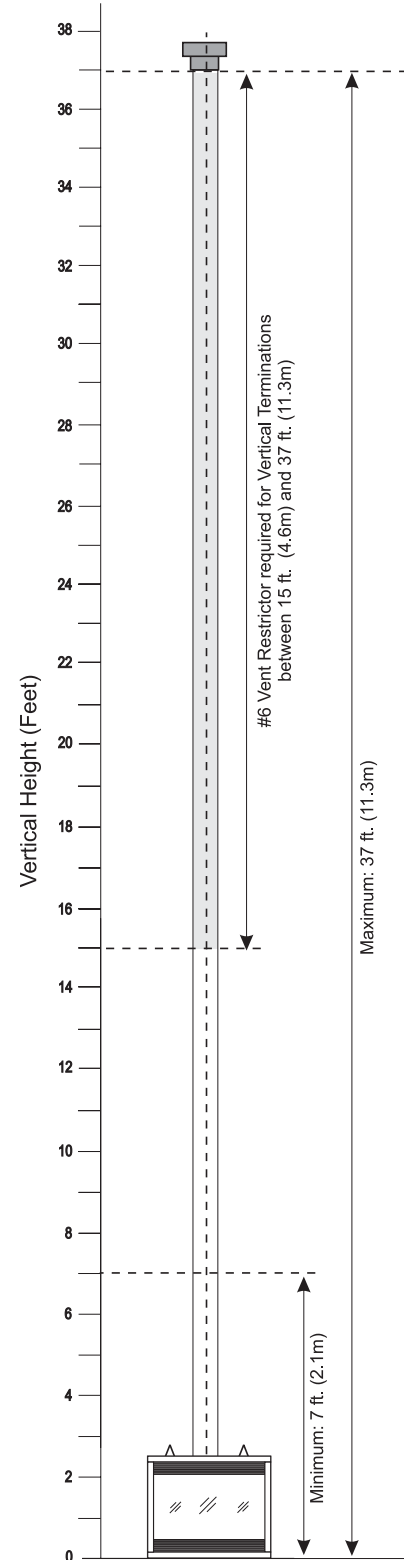


Diagram 4

VERTICAL TERMINATION WITH CO-LINEAR FLEX SYSTEM

THE APPLIANCE MUST NOT BE CONNECTED TO A CHIMNEY FLUE SERVING A SEPARATE SOLID FUEL BURNING APPLIANCE.

This appliance is designed to be attached to two 3" (76mm) co-linear aluminium flex running the full length of the chimney. See the Venting Arrangements on next page for minimum and maximum heights.

Required Parts:

Part #	Description
946-529	Co-linear DV Vertical Termination Cap
948-305	3" Flex - 35 ft.
946-563	Co-Axial to Co-Linear Adapter Kit which contains the following: Co-linear Flex Adapter Outer Pipe Inner Pipe Adapter
510-994	Rigid Pipe Adaptor

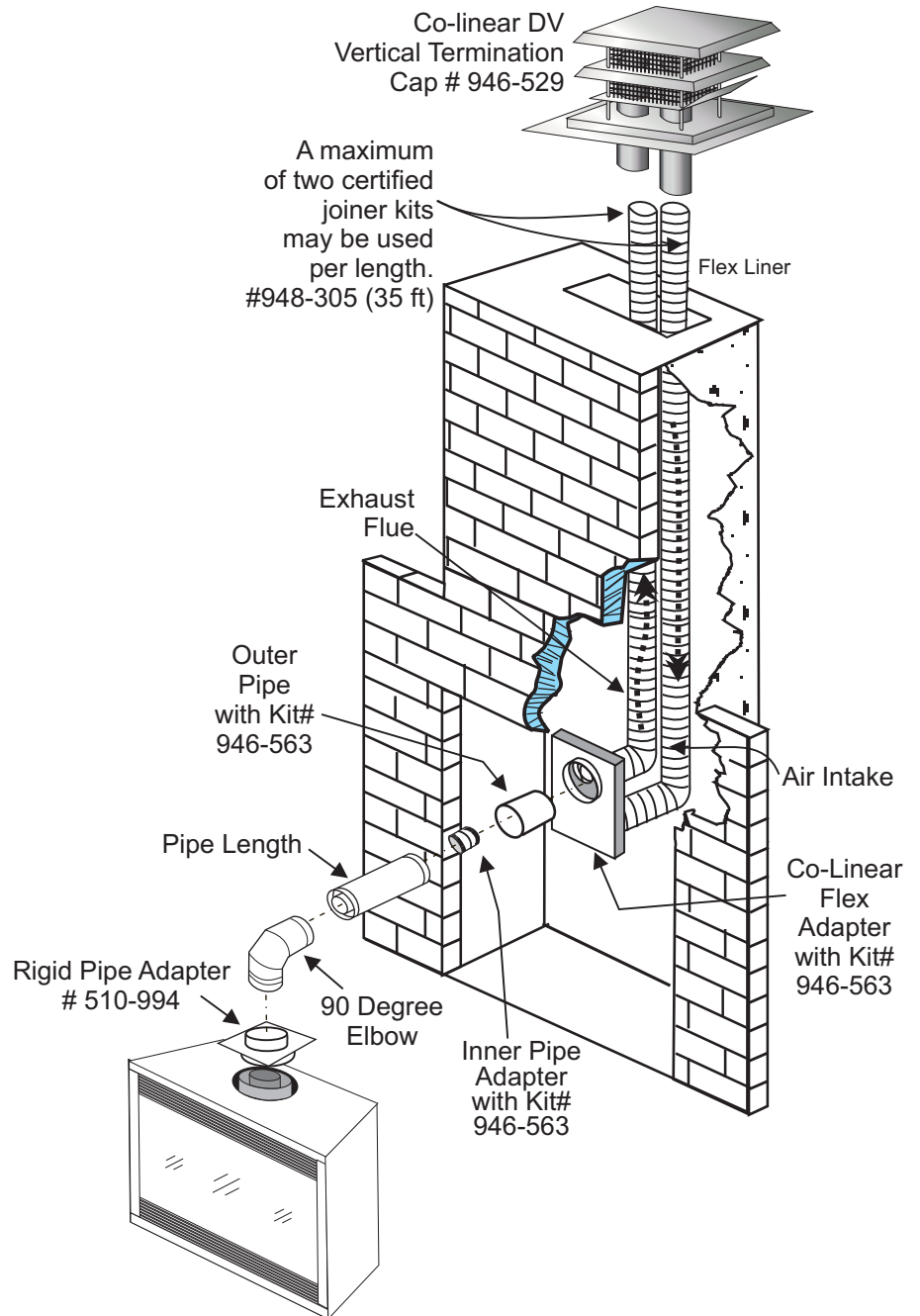
Alternate Approved Caps

980	Vertical Termination Cap
991	High Wind Cap
923GK	3" Co-linear Adapter with flashing

FPI Cabinet and/or Flat Wall Mantles may be used in these applications ensuring that clearances to combustibles are maintained.

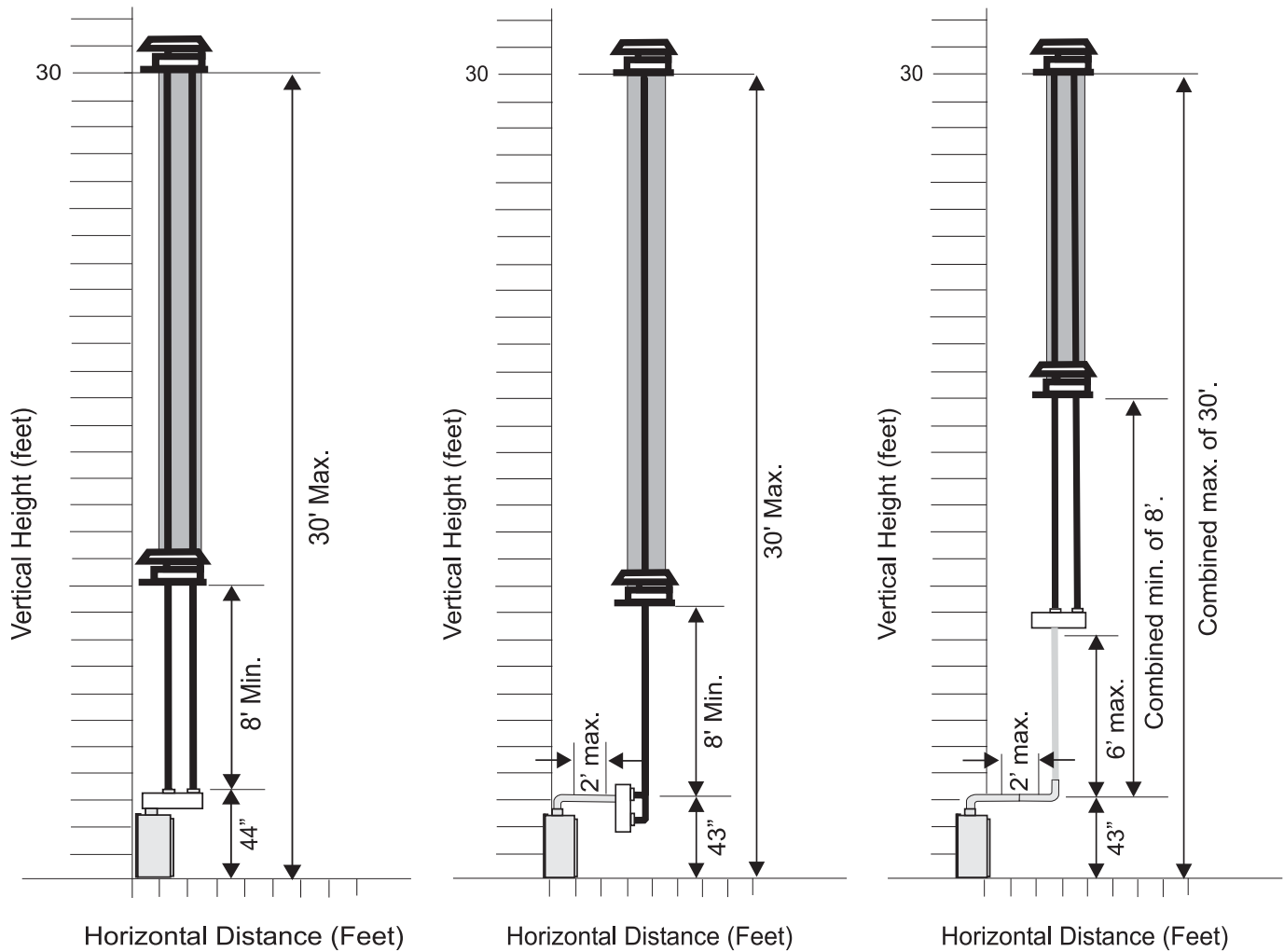
Masonry chimneys may take various contours which the flexible liner will accommodate. However, **keep the flexible liner as straight as possible**, avoid unnecessary bending.

The Air Intake pipe must be attached to the inlet air collar of the termination cap.



INSTALLATION

VENTING ARRANGEMENTS - VERTICAL TERMINATIONS with Co-linear Flex System for both Residential & Manufactured Homes into Masonry Fireplaces



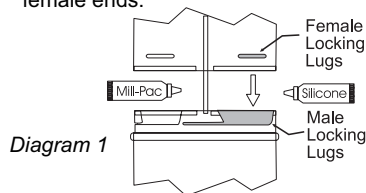
The shaded area in the diagrams show the allowable vertical terminations.

HORIZONTAL TERMINATIONS

- 1) Set the unit in its desired location. Check to determine if wall studs or roof rafters are in the way when the venting system is attached. If this is the case, you may want to adjust the location of the unit. Rough in the gas preferably on the right side of the unit and the electrical (junction block is on the left side) on the left.
- 2) Direct Vent pipe and fittings are designed with special twist-lock connections to connect the venting system to the appliance flue outlet. A twist-lock appliance adaptor is an available option that must be used in conjunction with the Simpson Dura-Vent Direct Vent GS system. Install the adaptor after the unit is set in its desired location otherwise the unit will not fit through the 36-5/8" (930mm) high frame opening.
- 3) Put a bead of silicone inside the outer section of the adapter and a bead of Stove Mate on the inner collar. Slip the adapter over the existing inner and outer flue collar and fasten to the outer collar only with the 3 supplied screws (drilling pilot holes will make this easier). Level the fireplace and fasten it to the framing using nails or screws through the nailing strips.
- 4) Assemble the desired combination of pipe and elbows to the appliance adaptor and twist-lock for a solid connection.

Note:

- a) Twist-lock procedure: Four indentations, located on the female ends of pipes and fittings, are designed to slide straight onto the male ends of adjacent pipes and fittings, by orienting the four pipe indentations so they match and slide in to the four entry slots on the male ends. (Diagram 1) Push the pipe sections completely together, then twist-lock one section clockwise approximately one-quarter turn, until the two sections are fully locked. The female locking lugs will not be visible from the outside, on the Black Pipe or fittings. They may be located by examining the inside of the female ends.

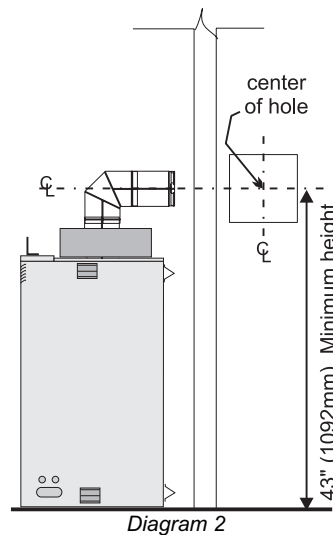


NOTE: For best results and optimum performance with each approved venting system, it is highly recommended to apply "Mill-Pac" sealant (supplied) to every inner pipe connection. Failure to do so may result in drafting or performance issues not covered under warranty. Silicone (red RTV) is optional.

- b) Horizontal runs of vent must be supported every 3 feet (0.9meter). Wall straps are available for this purpose.

- 5) Mark the wall for a 10" x 10" (254mm x 254mm) square hole. The center of the square hole should line up with the centerline of the horizontal pipe. Cut and frame the 10 inch (254mm) square hole in the exterior wall where the vent will be terminated.

If the wall being penetrated is constructed of non-combustible material, i.e. masonry block or concrete, a 7" (178mm) diameter (7-1/2" (190mm) for flex) hole is acceptable.



Note:

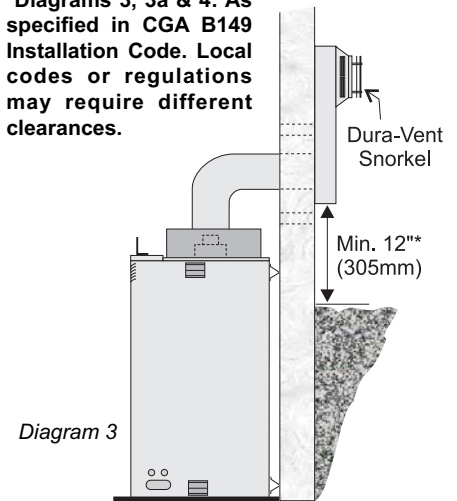
- a) The horizontal run of vent must be level, or have a 1/4 inch rise for every 1 foot of run towards the termination. Never allow the vent to run downward. This could cause high temperatures and may present the possibility of a fire.
- b) The location of the horizontal vent termination on an exterior wall must meet all local and national building codes, and must not be blocked or obstructed. For External Vent Terminal Locations, see diagram in the "Exterior Vent Termination Locations" section.

c) Snorkel Terminations:

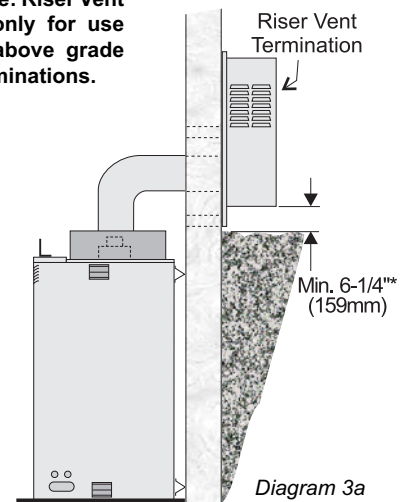
For installations requiring a vertical rise on the exterior of the building, 14-inch and 36-inch tall Snorkel Terminations (diagram 3 & 4) are available, as well as the standard Riser Vent, diagram 3a. Follow the same installation procedures as used for standard Horizontal Termination. NEVER install the snorkel upside down.

NOTE: For Snorkel terminations in ABOVE grade installations, follow national or local code requirements.

***Diagrams 3, 3a & 4: As specified in CGA B149 Installation Code. Local codes or regulations may require different clearances.**



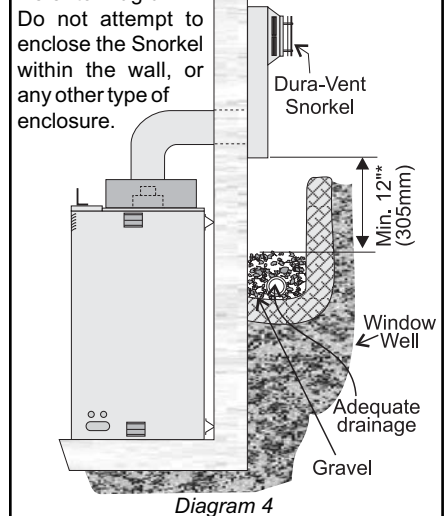
Note: Riser Vent is only for use in above grade terminations.



Below Grade Installation

If the Snorkel Termination must be installed below grade, i.e. basement application, proper drainage must be provided to prevent water from entering the Snorkel Termination. Refer to Diagram 4.

Do not attempt to enclose the Snorkel within the wall, or any other type of enclosure.



INSTALLATION

- 6) The arrow on the vent cap should be pointing up. Insure that the 1-1/4" (32mm) clearances to combustibile materials are maintained (Diagram 5). Install the termination cap.

Note: If installing termination on a siding covered wall, a vinyl siding standoff or furring strips must be used to ensure that the termination is not recessed into the siding.

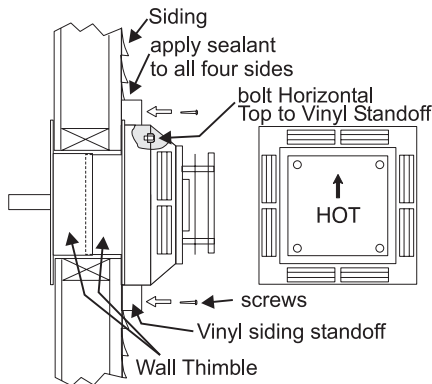


Diagram 5

The four wood screws provided should be replaced with appropriate fasteners for stucco, brick, concrete, or other types of sidings.

- 7) Before connecting the horizontal run of vent pipe to the vent termination, slide the Wall Thimble (Part # 942) over the vent pipe.
- 8) Slide the appliance and vent assembly towards the wall carefully inserting the vent pipe into the vent cap assembly. It is important that the vent pipe extends into the vent cap sufficient distance so as to result in a minimum pipe overlap of 1-1/4 inches (32mm). Secure the connection between the vent pipe and the vent cap by attaching the two sheet metal strips extending from the vent cap assembly into the outer wall of the vent pipe. Use the two sheet metal screws provided to connect the strips to the pipe section. See Diagram 6.

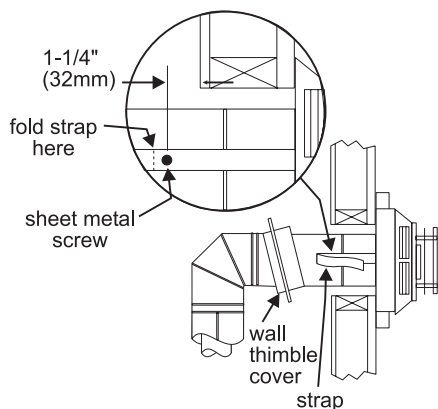


Diagram 6

- 9) Install wall thimble in the center of the 10" (254mm) square and attach with wood screws (Diagram 6).

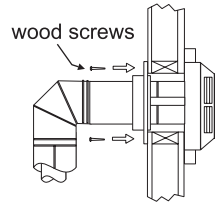


Diagram 7

VERTICAL TERMINATIONS

- 1) Maintain the 1-1/4" (32mm) clearances (air spaces) to combustibles when passing through ceilings, walls, roofs, enclosures, atticrafter, or other nearby combustibile surfaces. Do not pack air spaces with insulation. Check the "Rigid Pipe Venting Arrangements" section for the maximum vertical rise of the venting system and the maximum horizontal offset limitations.

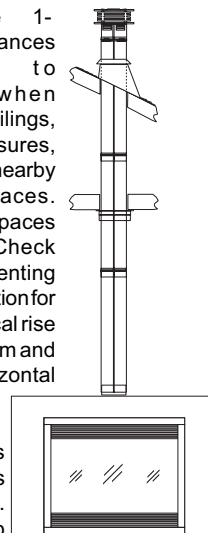


Diagram 1

- 2) Set the gas appliance in its desired location. Drop a plumb bob down from the ceiling to the position of the appliance flue exit, and mark the location where the vent will penetrate the ceiling. Drill a small hole at his point. Next, drop a plumb bob from the roof to the hole previously drilled in the ceiling, and mark the spot where the vent will penetrate the roof. Determine if ceiling joists, roof rafters or other framing will obstruct the venting system. You may wish to relocate the appliance or to offset, as shown Diagram 2 avoid cutting load bearing members.

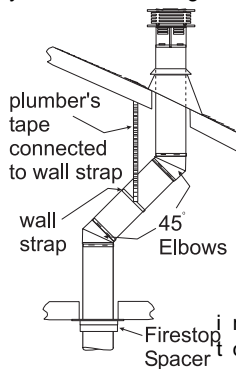


Diagram 2

- 3) A Firestop spacer must be installed in the floor or ceiling of every level. To install the Firestop spacer in a flat ceiling or wall, cut a 10 inch (254mm) square hole. Frame the hole as shown in Diagram 3 and install the firestop.

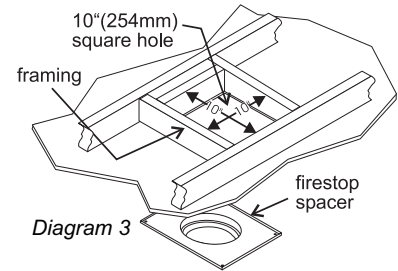
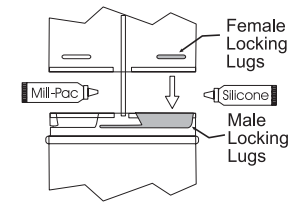


Diagram 3

- 4) Assemble the desired lengths of pipe and elbows. Ensure that all pipes and elbow connections are in the fully twist-locked position and sealed.



NOTE: For best results and optimum performance with each approved venting system, it is highly recommended to apply "Mill-Pac" sealant (supplied) to every inner pipe connection. Failure to do so may result in drafting or performance issues not covered under warranty. Silicone (red RTV) is optional.

- 5) Cut a hole in the roof centered on the small drilled hole placed in the roof in Step 2. The hole should be of sufficient size to meet the minimum requirements for clearance to combustibles of 1-1/4" (32mm). Slip the flashing under the shingles (shingles should overlap half the flashing) as per Diagram 4.

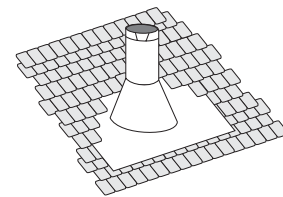


Diagram 4: The upper half of the flashing is installed under the roofing material and not nailed down until the chimney is installed. This allows for small adjustments.

- 6) Continue to assemble pipe lengths.

Note: If an offset is necessary in the attic to avoid obstructions, it is important to support the vent pipe every 3 feet (0.9 meter), to avoid excessive stress on the elbows, and possible separation. Wall straps are available for this purpose (Diagram 2).

Galvanized pipe is desirable above the roofline due to its higher corrosion resistance. Continue to add pipe sections through the flashing until the height of the vent cap meets the minimum height requirements specified in Diagram 5 or local codes. Note that for steep roof pitches, the vertical height must be increased.

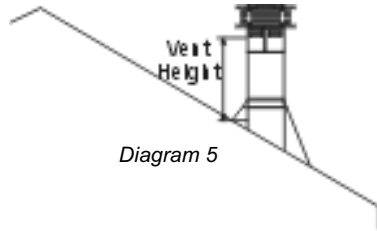


Diagram 5

Roof Pitch	Minimum Vent Height	
	Feet	Meters
flat to 7/12	2	0.61
over 7/12 to 8/12	2	0.61
over 8/12 to 9/12	2	0.61
over 9/12 to 10/12	2.5	0.76
over 10/12 to 11/12	3.25	0.99
over 11/12 to 12/12	4	1.22
over 12/12 to 14/12	5	1.52
over 14/12 to 16/12	6	1.83
over 16/12 to 18/12	7	2.13
over 18/12 to 20/12	7.5	2.29
over 20/12 to 21/12	8	2.44

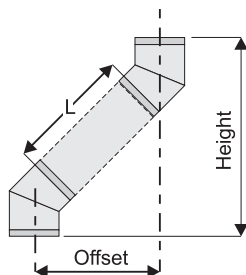
A poor draft, or down drafting can result from high wind conditions near big trees or adjoining roof lines, in these cases, increasing the vent height may solve the problem.

- Ensure vent is vertical and secure the base of the flashing to the roof with roofing nails, slide storm collar over the pipe section and seal with a mastic.
- Install the vertical termination cap by twist-locking it.

Note: Any closets or storage spaces, which the vent passes through must be enclosed.

Offset Chart

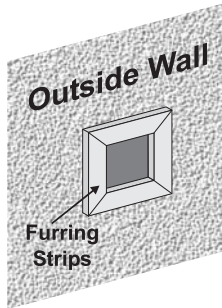
GS 6"(152mm) Nominal Diameter ID					
Offset		Pipe Length (L)		Height	
inches	mm	inches	mm	inches	mm
4 3/4	121	0	0	13 1/4	337
9	229	6	152	17 1/2	445
11 1/4	286	9	229	19 1/2	495
13 1/4	337	12	305	21 3/4	552
21 3/4	552	24	610	30 1/4	768
30 1/4	768	36	914	39	991
38	965	48	1219	47	1194



INSTALLATION PROCEDURES for Regency® Direct Vent System (Flex)

- Locate the unit in the framing, rough in the gas (preferably on the right side of the unit) and the electrical (Junction block is on the left side) on the left. Locate the centerline of the termination and mark wall accordingly. Cut a 10"(254mm) hole in the wall (inside dimension).

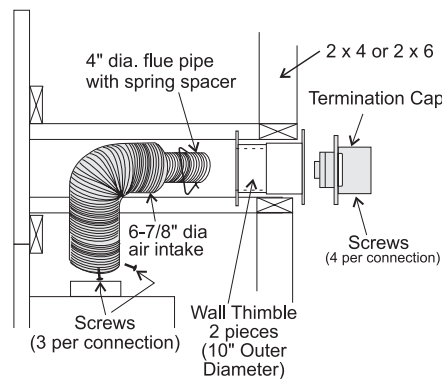
Note: To make the installation more aesthetically pleasing, we recommend framing out a square to mount the terminal to.



Note: A 1-1/2"(38mm) clearance around the liner must be maintained except that only a 1" (25mm) clearance is needed at the termination end. We recommend framing a 10"(254mm) x 10"(254mm) (inside dimensions) hole to give structural rigidity for mounting the termination.

Note: If installing termination on a siding covered wall, furring strips must be used to ensure that the termination is not recessed into the siding.

- Level the fireplace and fasten it to the framing using nails or screws through the nailing strips.



- Assemble the vent assembly by applying Mill Pac to the 4"(100mm) inner collar of the termination and slipping the 4"(100mm) liner over it at least 1-3/8" (35mm). Fasten with the 3 screws (drilling pilot holes will make this easier). Apply Mill Pac or high temperature silicone to the 6-7/8"(175mm) flex pipe and slip it over the 6-7/8" outer collar of the vent terminal at least 1-3/8"(35mm) and fasten with the 3 screws.

NOTE: Horizontal sections must be supported at intervals not exceeding 3 feet (0.9 meter). (Flame picture and performance will be affected by sags in the liner).

- Separate the 2 halves of the wall thimble and securely fasten the one with the tabs to the outside wall making sure that the tabs are on top and bottom. Fasten the other thimble half to the inside wall. The thimble halves slip inside each other and can be adjusted for 2 x 4 or 2 x 6 walls. **The liners must slip over the collars a minimum of 1-3/8".**
- Slip the assembled liner and termination assembly through the thimble making sure the termination cap faces up (there are markings on the cap that show which way is up). This will position the termination cap with proper down slope for draining water. Fasten the cap to the outer wall with the 4 supplied screws.
- Pull the centre 4"(100mm) liner and outer 6-7/8"(175mm) liner out enough to slip over the flue collars of the fireplace. (You may wish to cut the liner shorter to make it more workable.) Do not bend liner more than 90°.
- Apply Mill Pac over the fireplace inner collar and slip the 4"(100mm) liner down over it and attach with 3 supplied screws.
- Do the same with the 6-7/8"(175mm) liner.
- Apply a bead of silicone between the thimble and termination and around the outer edge of the terminal at the wall in order to keep the water out.

IMPORTANT:

Do not locate termination hood where excessive snow or ice buildup may occur. Be sure to check vent termination area after snow falls, and clear to prevent accidental blockage of venting system. When using snow blowers, make sure snow is not directed towards vent termination area.

INSTALLATION

System Data	
For 0 to 4500 feet altitude	
Burner Inlet Orifice Sizes:	
Natural Gas Burner	#33
Propane	#50
Max. Input Rating	
- Natural Gas	35,000 Btu/h
- Propane	35,000 Btu/h
Min. Input Rating	
- Natural Gas	17500 Btu/h
- Propane	17500 Btu/h
Output Capacity with blower Off	
Natural Gas	25,725 Btu/h
Propane	26,740 Btu/h
Output Capacity with blower On	
Natural Gas	26,250 Btu/h
Propane	27,300 Btu/h
Supply Pressure	
Natural Gas	min. 5.0" w.c.
Propane	min. 11.0" w.c.
Manifold Pressure (High)	
Natural Gas	3.8" +/- 0.2" w.c.
Propane	10" +/- 0.2" w.c.
Electrical: 120 V A.C. System.	
Circulation Fan: variable speed 130 CFM.	
Log Set: Ceramic fibre, 3 per set.	
Vent System: Simpson Dura-Vent Direct Vent System or Regency® Direct Vent System (Flex)	

Note: Output capacity. The efficiency rating of the appliance is a product thermal efficiency rating determined under continuous operating conditions and was determined independently of any installed system. Vent height may or may not change your efficiency ratings.

HIGH ELEVATION

This unit is approved in Canada for altitude 0 to 4500 ft. (CAN1 2.17-M90) with the orifice supplied.

GAS LINE INSTALLATION

The gas line can be brought through either the right or the left side of the appliance. The gas valve is situated on the right hand side of the unit and the gas inlet is on the right hand side of the valve.

Note: If the gas line is being installed from the left side, be sure to leave room to accommodate servicing of the fan.

The gas line connection may be made of rigid pipe, copper pipe or an approved flex connector. (If you are using rigid pipe, ensure that the valve can be removed for servicing.) Since some municipalities have additional local codes it is always best to consult with your local authorities and the CAN/CGA B149 installation code.

For USA installations follow local codes and/or the current National Fuel Gas Code, ANSI Z223.1.

When using copper or flex connectors use only approved fittings. Always provide a union so that gas lines can be easily disconnected for burner or fan servicing. Flare nuts for copper lines and flex connectors are usually considered to meet this requirement.

Important: Always check for gas leaks with a soap and water solution or gas leak detector. Do not use open flame for leak testing.

GAS PIPE PRESSURE TESTING

The appliance must be isolated from the gas supply piping system by closing its individual manual shut-off valve during any pressure testing of the gas supply piping system at test pressures equal to or less than 1/2 psig. (3.45 kPa). Disconnect piping from valve at pressures over 1/2 psig (3.45 kPa).

The manifold pressure is controlled by a regulator built into the gas control, and should be checked at the pressure test point.

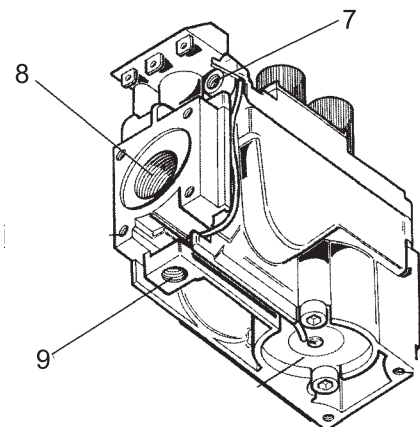
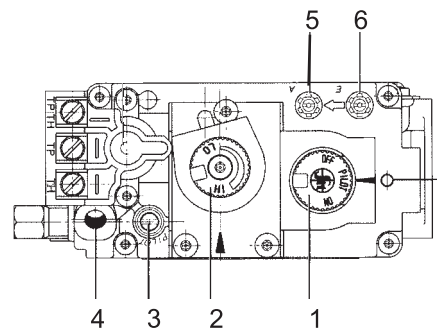
Note: To properly check gas pressure, both inlet and manifold pressures should be checked using the valve pressure ports on the valve.

- 1) Make sure the valve is in the "OFF" position.
- 2) Loosen the "IN" and/or "OUT" pressure tap(s), turning counterclockwise with a 1/8" (3mm) wide flat screwdriver.

- 3) Attach manometer to "IN" and/or "OUT" pressure tap(s) using a 5/16" (8mm) ID hose.
- 4) Light the pilot and turn the valve to "ON" position.
- 5) The pressure check should be carried out with the unit burning and the setting should be within the limits specified on the safety label.
- 6) When finished reading manometer, turn off the gas valve, disconnect the hose and tighten the screw (clockwise) with a 1/8"(3mm) flat screwdriver. **Note: Screw should be snug, but do not over tighten.**

S.I.T. Valve Description

- 1) Gas on/off knob
- 2) Manual high/low adjustment
- 3) Pilot Adjustment
- 4) Thermocouple Connection - option
- 5) Outlet Pressure Tap
- 6) Inlet Pressure Tap
- 7) Pilot Outlet
- 8) Main Gas Outlet
- 9) Alternative TC Connection Point



AERATION ADJUSTMENT

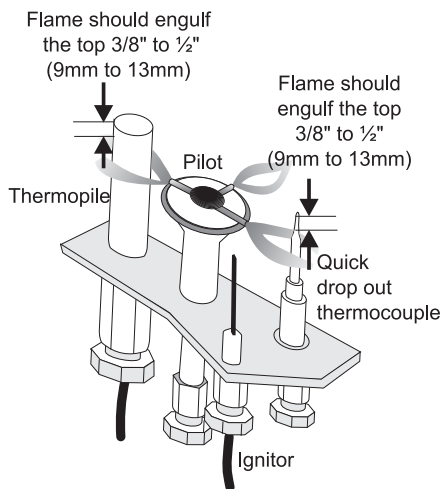
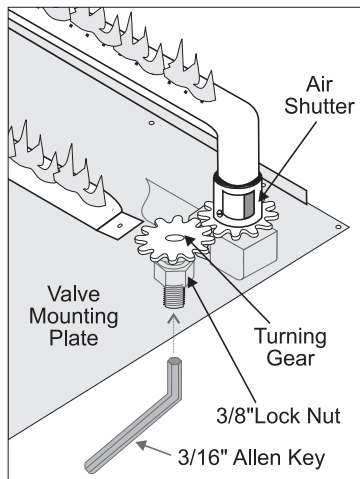
The aeration adjustment gears are located on the valve mounting plate and are accessed from underneath through the bottom louver opening.

To access the air shutter loosen the lock nut and then use the allen key to turn the turning gear which will adjust the air shutter. Open the air shutter for a blue flame or close it for a yellow flame. Tighten the lock nut when adjustment is complete. The burner aeration is factory set but may need adjusting due to either the local gas supply or altitude.

CAUTION: Carbon will be produced if air shutter is closed too much. (Should be 3/16"(4mm) open for natural gas and 1/2" (13mm) for propane.)

Note: Aeration Adjustment should only be performed by an authorized Regency® Installer at the time of installation or service.

**Closed -Tall yellow
Open -Short blue**



BRICK PANELS

- 1) Unhook the 2 spring loaded hooks from the bottom of the flush door and lift the Flush Front off the unit.
- 2) Unwrap the brick pattern panels from the protective wrapping. Handle the panels with care as they can break easily.
- 3) Remove the metal channel from the firebox top, and use it later for installing the top brick panel (refer to Diagram 1).
- 6) Rest the narrow end of the top brick panel on top of the back wall brick panel. Then, with both hands, lift the top panel up.
- 7) Slot the top metal channel 1/2 way into place onto the top of the panel.
- 8) Carefully position and push the top panel into position. Make sure the tabs of the metal channel fit into the baffle openings (refer to Diagram 2). Push downwards to secure the channel and top panel.

Note: The logs must not be in the unit.

- 3) Remove the metal channel from the firebox top, and use it later for installing the top brick panel (refer to Diagram 1).

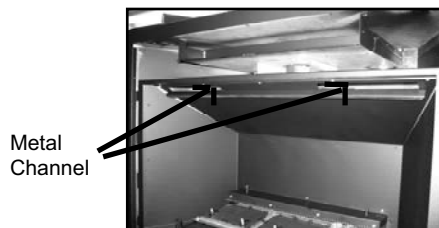


Diagram 1

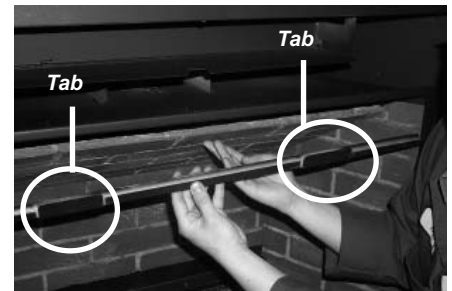
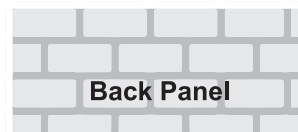
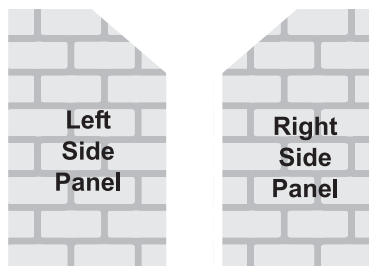


Diagram 2

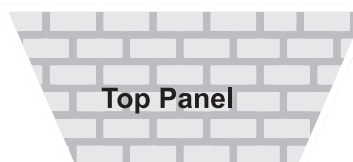
- 4) Insert the back brick panel first by carefully slipping it between the back wall of the firebox and the rear log bracket.



- 5) Insert the side panels. Tilt them in towards the middle of the firebox and put the bottom front corner in first. Be very careful not to scratch them on the firebox hardware. Place them flat up against the wall, they should fit snugly against the top of the firebox.



(front)



(back)



Diagram 3

IMPORTANT

YOUR BRICK PANELS ARE
MANUFACTURED FROM A SPECIAL HEAT
REFLECTIVE CERAMIC MATERIAL
HANDLE WITH CARE
(DO NOT FORCE INTO POSITION)

IMPORTANT: Dangerous operating conditions may occur if the panels are broken.

INSTALLATION

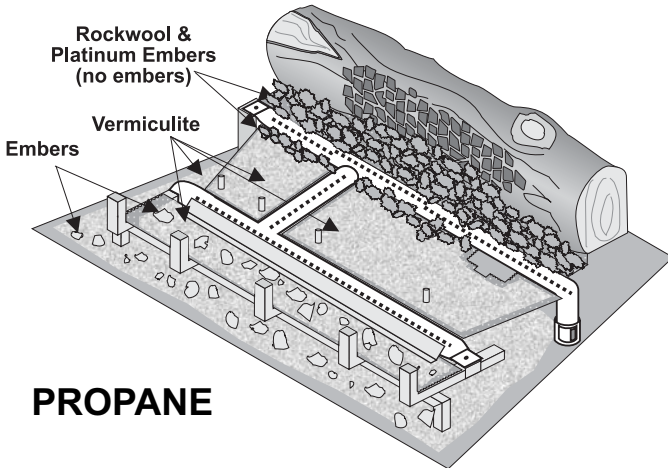
LOG SET INSTALLATION

WARNING: Dangerous operating conditions may occur if these logs are not positioned in their correct certified locations. Read the following instructions carefully and refer to the attached diagram.

The log kit contains the following:

- a) Front Right Log
 - b) Front Left Log
 - c) Rear log
 - d) Embers
 - e) Rockwool
 - f) Vermiculite
 - g) Platinum Embers (supplied with packaged manual)
- 1) Remove the logs from the box and carefully unwrap them. The logs are fragile, handle with care. Do not force into position.
 - 2) Place the rear log on the rear log support in the back of the unit with the flat side of the log facing the back of the unit. Carefully push the log down onto the pins.
 - 3) Sprinkle the vermiculite on the sides and front of the fireplace bottom being careful not to get any into the air shutter or the burner ports (burner ports are the little holes in the top of the burner). The vermiculite is used to cover the sheet metal and hardware on the firebox floor and burner assembly.
 - 4) Pull off ember size pieces of rockwool and separate platinum embers and gently place them around the burner. Do not compress the rockwool or platinum embers, leave it loose for the most realistic looking embers. Refer to the diagrams below for correct placement of rockwool and platinum embers on the Natural Gas and Propane units.

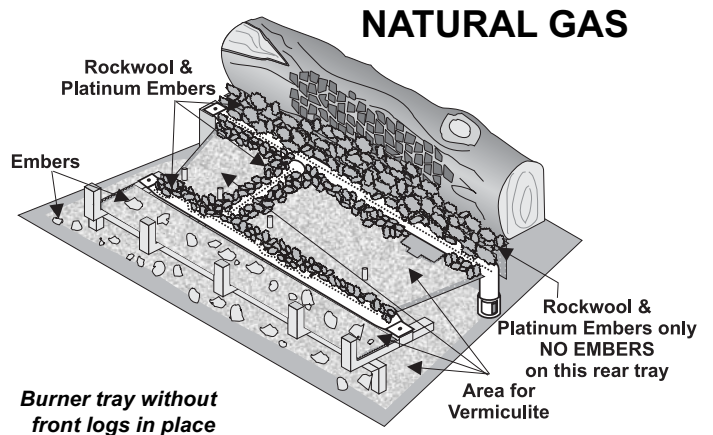
- 5) Place the front logs in the unit, aligning the holes on the underside of the logs with the log support pins in the front of the unit. Carefully push the logs down onto the pins. (*Hint: Install the front right side first.*)
- 6) Place a few embers under the front logs and a few under the front part of the burner assembly to make it look like fallen embers.
- 7) Test for pilot ignition.
- 8) Install the door and louvers.



PROPANE

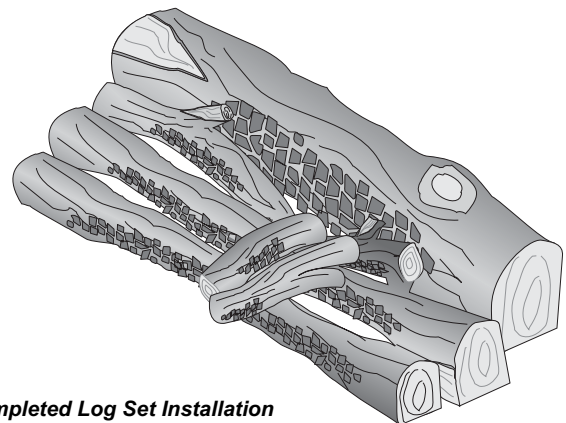
IMPORTANT

For Propane Units - only place rockwool and platinum embers on the rear burner tray behind the burner tube.



NATURAL GAS

Burner tray without front logs in place



Completed Log Set Installation

STANDARD FLUSH DOOR

The standard flush door comes with a black frame. To install the frame, simply hook the top door flange onto the top of the unit and swing the door towards the unit, diagram 1.

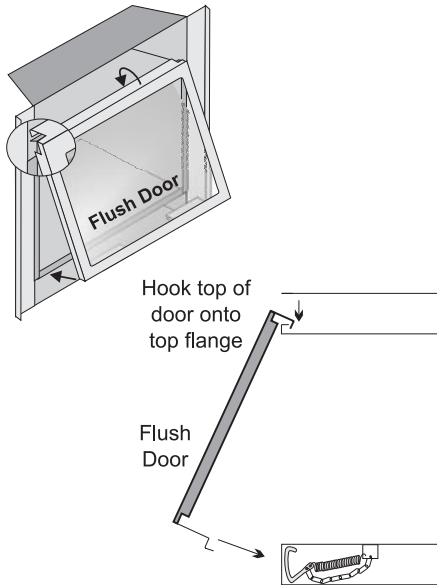


Diagram 1

Be careful that the glass gasket does not roll up; there must be a gap between the gasket and the door lip to ensure that the door sits securely on the unit. Diagram 2.

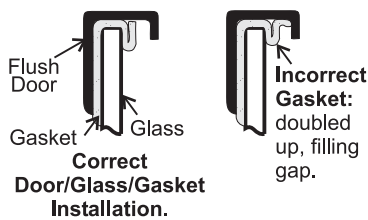


Diagram 2

Use the hook to pull the spring out until you can put the hook into the slot on the bottom door bracket. Repeat for 2nd and 3rd spring. See diagram 3.

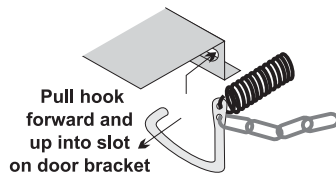


Diagram 3

NOTE: Springs must always be OVER not under the gas line.

To remove the flush door, reverse the above steps.

FLUSH LOUVERS

- 1) Install the top louver by sliding the two bracket clips into the brackets located underneath the top of the firebox. Diagram 1.
- 2) Attach the 2 bottom louver hinges to the bottom flange on the firebox using 2 screws per hinge. Diagram 1.

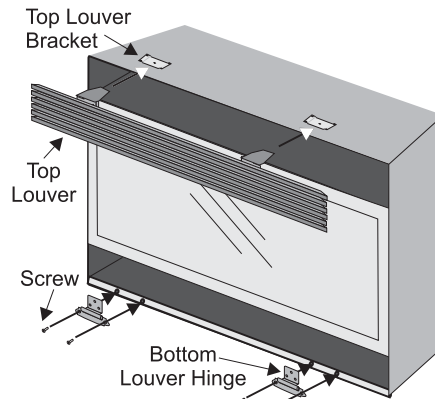


Diagram 1

Note: Top and bottom louvers are different.

- 3) Attach the bottom louver to the 2 hinges using 2 screws per hinge. Diagram 2.

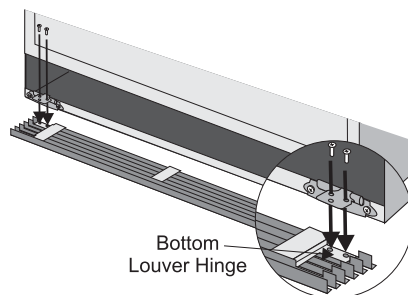


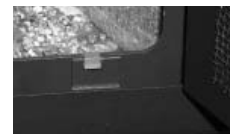
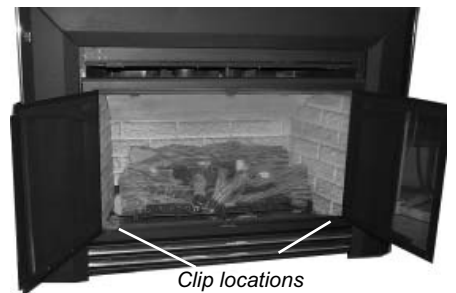
Diagram 2

DOUBLE SCREEN DOORS

- 1) Pull out the top louver.
- 2) Center the screen door and hook over the flush door.



- 3) Open the screen door(s) and secure the screen door to the flush door front with 2 clips on the bottom left and right side.



Clip installed on right side.

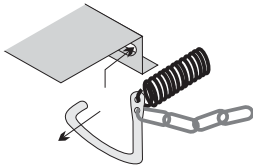
INSTALLATION

OPTIONAL BAY DOOR

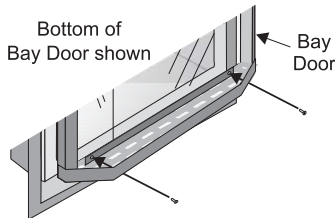
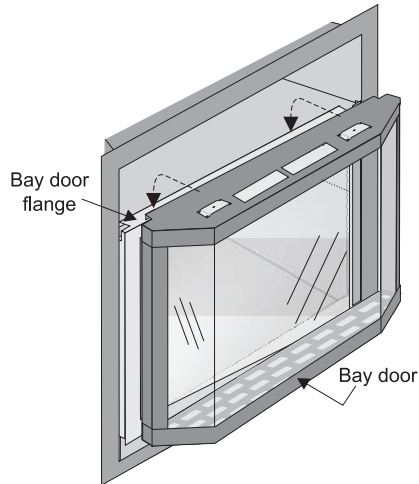
The Bay louvers **MUST** be used with the Bay glass option.

The optional Bay door is an overlay on the flush front. The standard flush door and glass must remain on the unit.

- 1) Unhook the 2 spring loaded hooks from the bottom of the flush door.



- 2) Hook the top of the bay door over the flush door flange and swing the bottom against the bottom flange of the flush door.



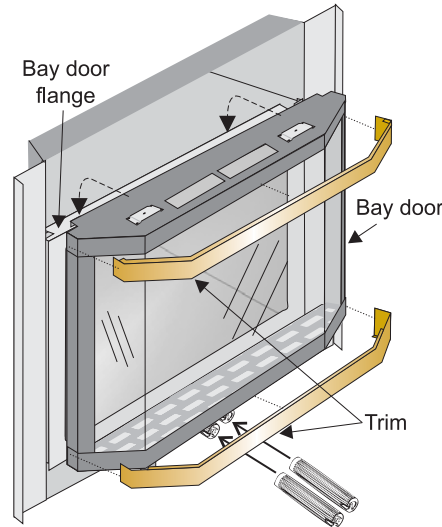
- 3) Secure to the flush door bottom bracket with 2 screws provided.

- 4) Reconnect the 2 spring hooks securing the flush door.

Note: If any maintenance etc. must be done in the firebox, first remove the Bay louvers and door.

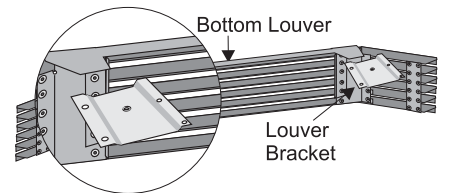
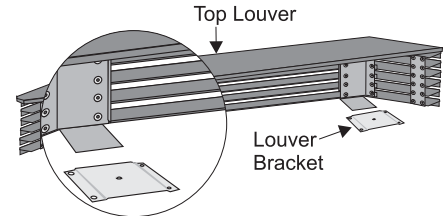
Optional Bay Trim

Attach 4 supplied magnets each to the back of the top and bottom trim pieces, and attach trim to the top and bottom of Bay door.



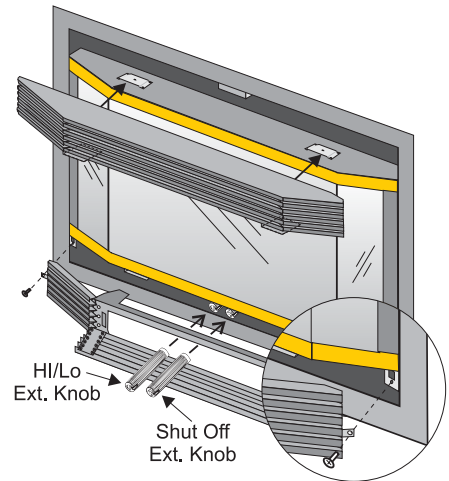
BAY LOUVERS

- 1) Install top louver by sliding the two bracket clips into the brackets located on top of the bay door. See below. The fitted louver leaves a small gap between faceplate bottom and louver top.

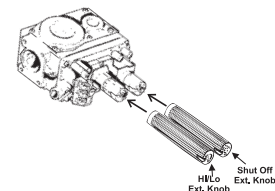


Note: Top and bottom louvers and brackets are different.

- 2) Install bottom louver by sliding the two bracket clips into the brackets located underneath the bay door. Install bottom louver by sliding the two bracket clips into the brackets located underneath the bay door and secure with 1 screw on each end.



- 3) Slide the valve extension knobs onto the valve knobs.



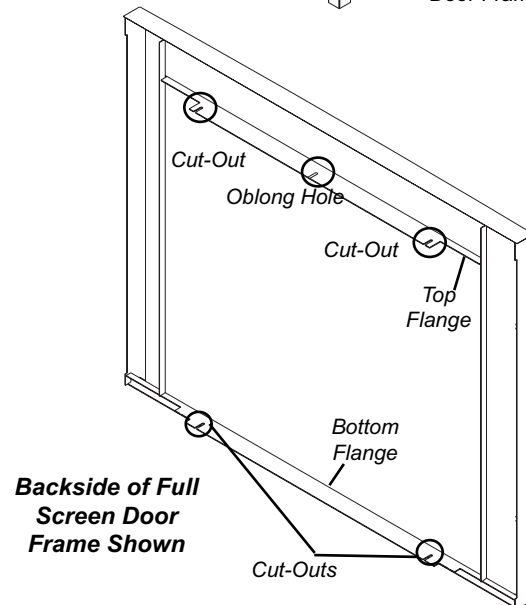
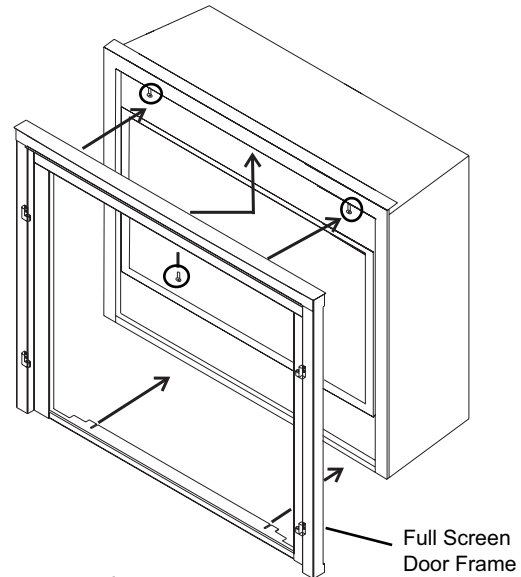
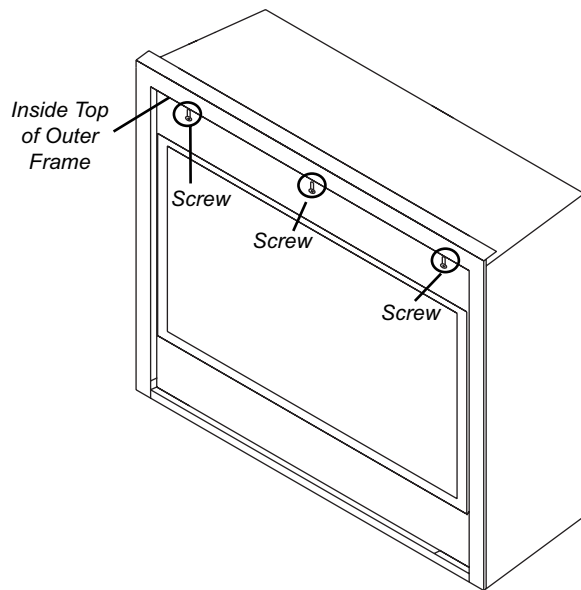
FULL SCREEN DOORS

- 1) Before beginning the installation, remove the Glass Door from the unit. Refer to the manual for instructions.
- 2) Remove the Screen Doors from the Full Screen Door Frame by fully opening the doors and lifting up off of the hinges. See important note in step 9.

3) Full Screen Door Frame Installation

- a) Before attaching the Full Screen Door Frame to the unit, loosen the left and right side #8 Self Tapping Philips Screws located on the inside top of the outer frame of the appliance. Also remove the center screw.

- b) Slide the cut-outs in the Top and Bottom Flange of the Full Screen Door Frame under the screw heads which were loosened in step 3a. Once the Frame is in place, tighten the screws to secure. Also re-secure the top center screw through the oblong hole.

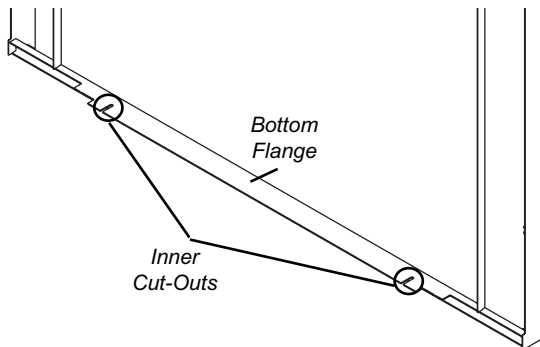


INSTALLATION

NOTE: Should the finished wall protrude beyond the face of the unit, you can accommodate up to 1/2" depth.

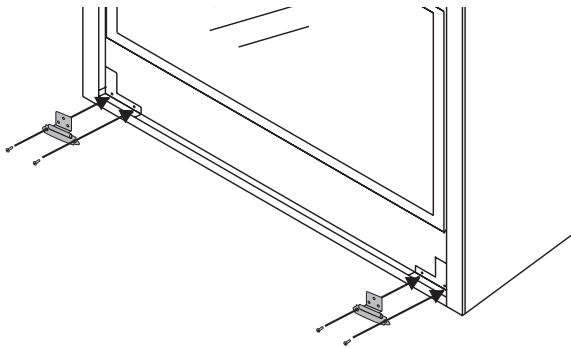
Simply push in the Full Screen Door Frame until it aligns against the finished wall. Secure Top Flange of Full Screen Door Frame as described in step 3b.

For the Bottom Flange of the Full Screen Door Frame, push the bottom of the Frame until it aligns with the wall. Use the inner cut-outs to secure the base of the Frame using the 2x #8 Hex Head Drill Point Screws provided.

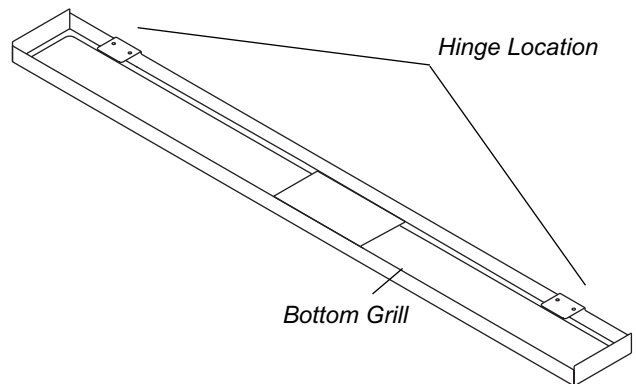


Backside of Full Screen Door Frame Shown

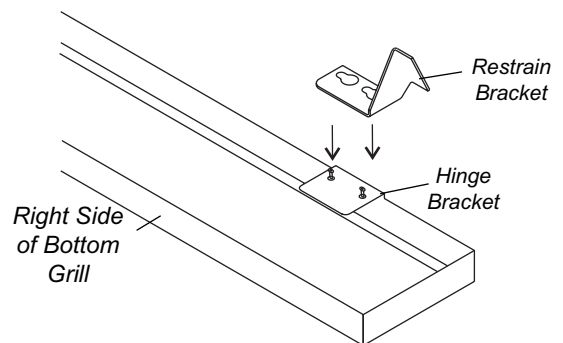
- 4) Install the Hinges to the Hinge Brackets on the left and right side of the bottom of the outer frame, secure using 2x #8 Self Tapping Phillips Screws per hinge.



- 5) Place the Bottom Grill near hinge. Flip the hinge over the Bottom Grill and secure with 2x #8 Self Tapping Phillips Screws per side.



- 6) Loosen the 2x #8 Self Tapping Phillips screws which secure the Right Side Hinge Bracket to the Bottom Grill. Place the keyholes in the Restrain Bracket through the screws and slide the Bracket to the right. Tighten the screws to secure bracket in place.

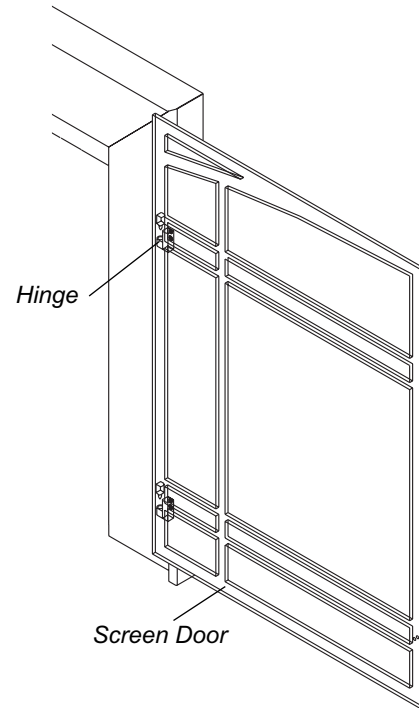
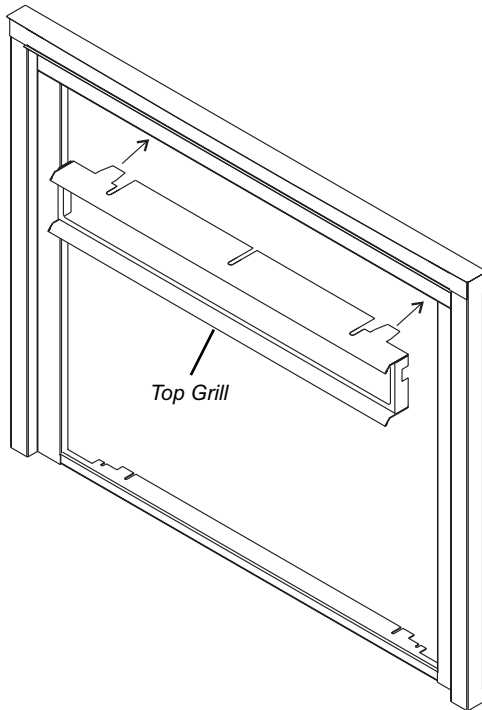


- 7) Re-install Glass Door. Refer to the manual for instructions.

INSTALLATION

- 8) Slide the Top Grill into the louver brackets located on the inside top of the firebox. Push in place.
- 9) Install the Left and Right Side Screen Doors in the fully open position by placing over top of the hinges on the Full Screen Door Frame.

NOTE: Failure to install the doors in the fully open position could result in paint damage to the surface of the door.



- 10) Close screen doors.

INSTALLATION

WIRING DIAGRAMS

No electrical power supply is required for the gas control to operate. 120 Volt AC power is needed for the fan switch and blower. The fan can be hard wired if desired. A terminal block is provided on the left hand side of the unit.

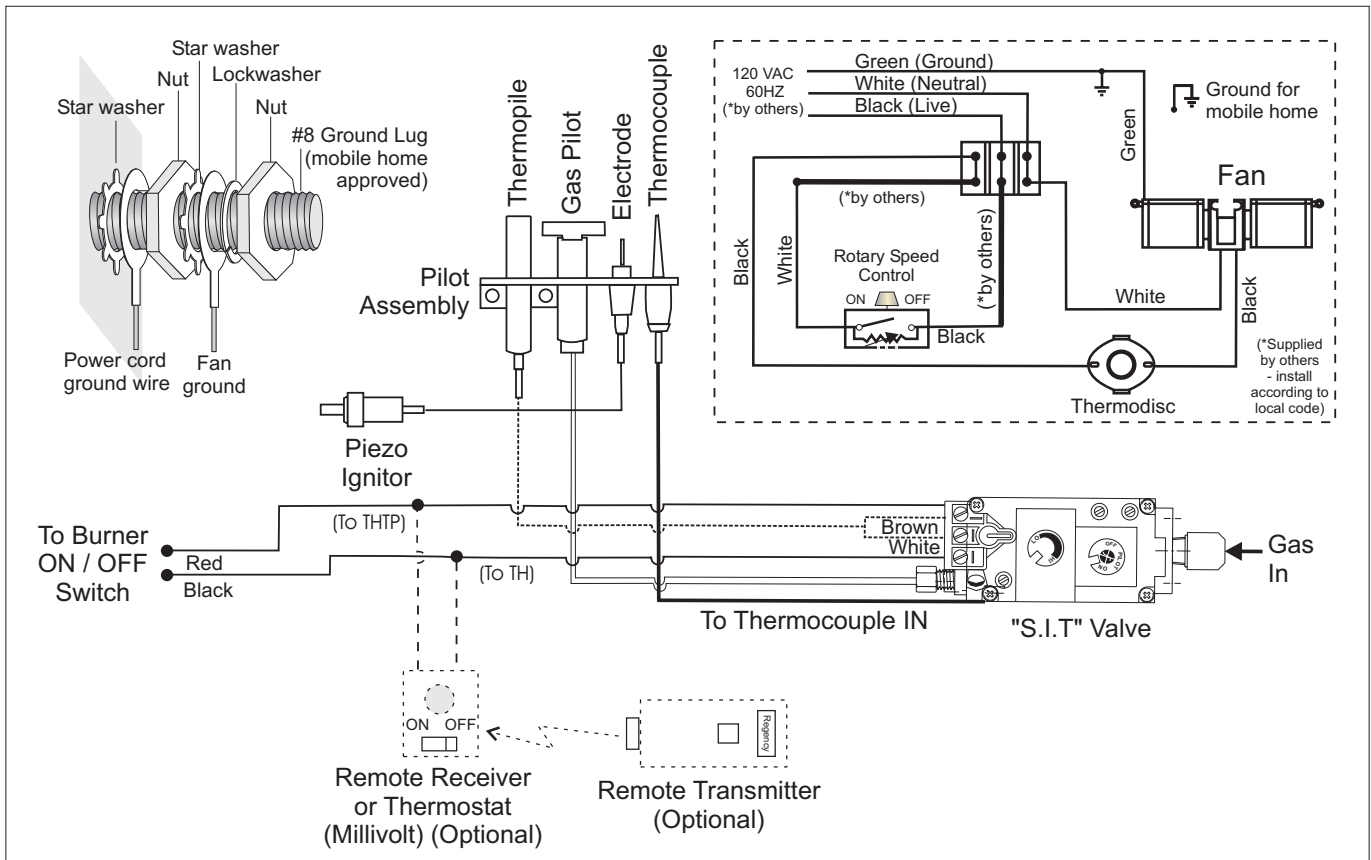
A three wire power cord can also be used and plugged into a suitable receptacle.

NOTE: Even if the fan is not purchased with the unit, it is still a good idea to hardwire the terminal block in case the fan is installed at a later date.

(Do not cut the ground terminal off under any circumstances.)

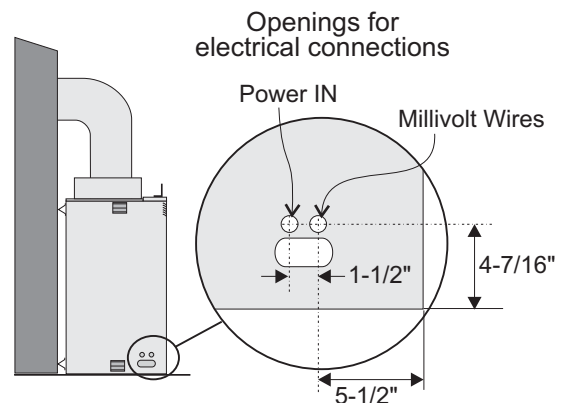
**** However DO NOT leave this connection live until the fan is installed.****

For NATURAL GAS Units and Units NOT Equipped with DC Spark Boxes

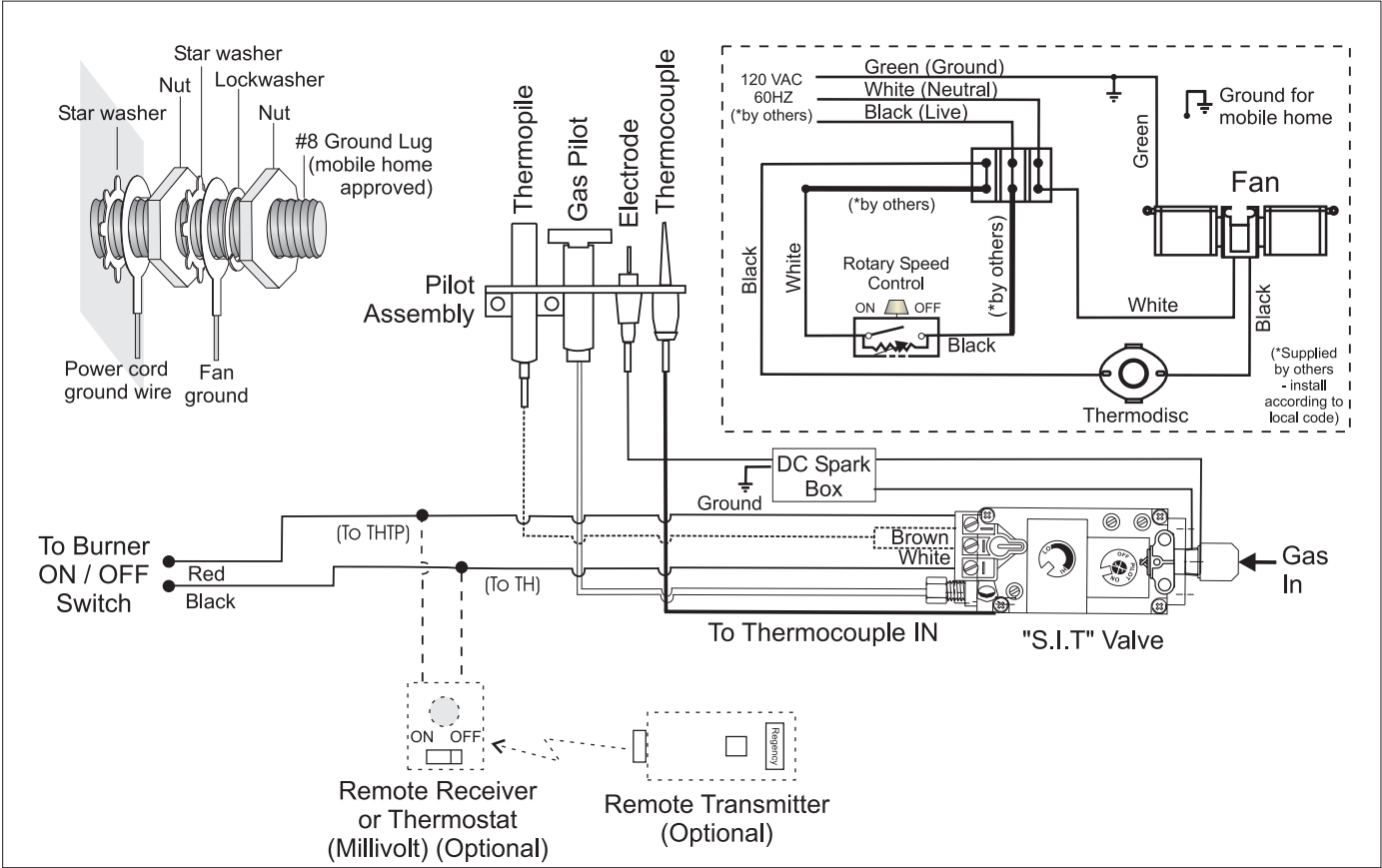


Caution: Ensure that the wires do not touch any hot surfaces and are away from sharp edges.

CAUTION: Label all wires prior to disconnection when servicing controls. Wiring errors can cause improper and dangerous operation.



For PROPANE Units and Units Equipped with DC Spark Boxes



OPERATING INSTRUCTIONS

OPTIONAL REMOTE CONTROL

Use the Regency® Remote Control Kit approved for this unit. Use of other systems may void your warranty.

The remote control kit comes with a hand held transmitter, a receiver and a wall mounting plate.

- 1) Choose a convenient location on the wall to install the receiver and the receptacle box (protection from extreme heat is very important). Run wires from the fireplace to that location. Use Thermostat Wire Table.
- 2) Connect the two wires to the gas valve. See diagram below.

CAUTION
Do not wire millivolt
remote control wires
to 120V wire.

- 3) Install 3 AAA alkaline batteries in transmitter and 4 AA alkaline batteries in the receiver. Install the receiver and its cover in the wall. Switch the remote receiver to "remote" mode. The remote control is now ready for operation.

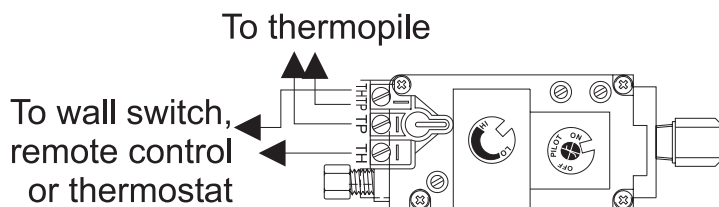
Optional WALL SWITCH

- 1) Run the supplied 15' of wire through the right or left side gas inlet opening. Be careful not to damage wire.

Note: We recommend a maximum of 15' of wire but if you wish to go with a longer run, use the Thermostat Wire Table.

- 2) Connect the wire to the supplied wall switch and install into the receptacle box.

CAUTION
Do not wire millivolt
wall switch wire
to 120V wire.



OPTIONAL WALL THERMOSTAT

A wall thermostat may be installed if desired, connect the wires as per the wiring diagram. Use table below to determine the maximum wire length.

Note: Preferable if the thermostat is installed on an interior wall.

Regency® offers an optional programmable thermostat but any 250-750 millivolt rated non-anticipator type thermostat that is CSA, ULC or UL approved may be used.

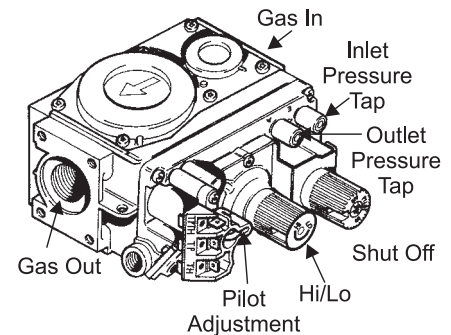
CAUTION
Do not wire millivolt
wall thermostat wires
to 120V wire.

Thermostat Wire Table

Recommended Maximum Lead Length (Two-Wire) When Using Wall Thermostat (CP-2 System)	
Wire Size	Max. Length
14 GA.	50 Ft.
16 GA.	32 Ft.
18 GA.	20 Ft.
20 GA.	12 Ft.
22 GA.	9 Ft.

OPERATING INSTRUCTIONS

- 1) Read and understand these instructions before operating this appliance.
- 2) Check to see that all wiring is correct and enclosed to prevent possible shock.
- 3) Check to ensure there are no gas leaks.
- 4) Make sure the glass in the door frame is properly positioned. Never operate the appliance with the glass removed or with broken glass.
- 5) Verify that the venting and cap are unobstructed.
- 6) Ensure that the brick panels are installed.
- 7) Verify log placement. If the pilot cannot be seen when lighting the unit, the logs have been incorrectly positioned.
- 8) The unit should never be turned off, and on again without a minimum of a 60 second wait.



LIGHTING PROCEDURE

IMPORTANT
To ignite or reignite the pilot,
you must first release the
tension springs below the door.

NOTE: For all propane units and units equipped with electric spark boxes, see "Copy of Lighting Plate Instructions" section for more details.

IMPORTANT: Gas on/off knob cannot be turned from "PILOT" to "OFF" unless it is partially depressed.

COPY OF THE LIGHTING PLATE INSTRUCTIONS

FOR YOUR SAFETY READ BEFORE LIGHTING

This appliance must be installed in accordance with local codes, if any; if none, follow the National Fuel Gas Code, ANSI Z223.1/NFPA 54, or Natural Gas and Propane Installation Codes, CSA B149.1. (Australia: AS5601-2004, New Zealand: NZS 5261)

WARNING: If you do not follow these instructions exactly, a fire or explosion may result causing property damage, personal injury or loss of life. Improper installation, adjustment, alteration, service or maintenance can cause injury or property damage. Refer to the owner's information manual provided with this appliance. For assistance or additional information consult a qualified installer, service agency or gas supplier.


- A) This appliance has a pilot which must be lighted by hand, following the instructions below exactly.
- B) BEFORE LIGHTING smell all around the appliance area for gas. Be sure to smell next to the floor because some gas is heavier than air and will settle on the floor.
- WHAT TO DO IF YOU SMELL GAS
- Do not try to light any appliance
 - Do not touch any electric switch, do not use any phone in your building
 - Immediately call your gas supplier from a neighbors phone. Follow the gas supplier's instructions.
 - If you cannot reach your gas supplier, call the fire department.
- C) Use only your hand to push in or turn the gas control knob. Never use tools. If the knob will not push in or turn by hand, don't try to repair it, call a qualified service technician. Force or attempted repair may result in a fire or explosion.
- D) Do not use this appliance if any part has been under water. Immediately call a qualified service technician to inspect the appliance and to replace any part of the control system and any gas control which has been under water.
- E) This appliance needs fresh air for safe operation and must be installed so there are provisions for adequate combustion and ventilation air.

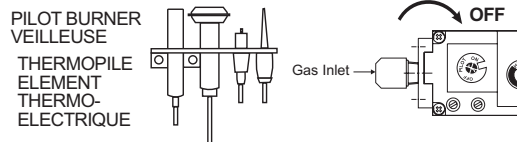
CAUTION: Hot while in operation. Do not touch. Severe Burns may result. Due to high surface temperatures keep children, clothing and furniture, gasoline and other liquids having flammable vapors away. Keep burner and control compartment clean. See installation and operating instructions accompanying appliance.


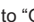
LIGHTING INSTRUCTIONS

STOP! Read the safety information above on this label.

FOR UNITS NOT EQUIPPED WITH ELECTRIC SPARK:

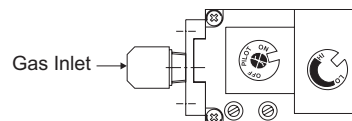
- 1) Push in gas control knob slightly and turn clockwise  to "OFF". Knob cannot be turned from "PILOT" to "OFF" unless knob is pushed in slightly. Do not force.




- 2) Wait five (5) minutes to clear out any gas. If you then smell gas STOP! follow "B" in the safety information above on this label. If you don't smell gas, go to the next step.
- 3) Turn knob on gas control counterclockwise  to "PILOT".
- 4) Push in control knob all the way and hold in. Immediately push black button on spark igniter until pilot lights. Continue to hold the control knob in for about 1/2 minute after the pilot is lit. Release knob and it will pop back up. Pilot should remain lit. If it goes out, repeat steps 3) and 4). If knob does not pop up when released, stop and immediately call your service technician or gas supplier. If the pilot will not stay lit after several tries, turn the gas control knob to "OFF" and call your service technician or gas supplier.
- 5) Turn gas control knob counterclockwise  to "ON".
- 6) Use rocker switch to operate main burner.

FOR ALL PROPANE UNITS AND UNITS EQUIPPED WITH ELECTRIC SPARK BOXES:

- 1) Push in gas control knob slightly and turn to "PILOT" position.
- 2) Push in control knob all the way and hold in until the pilot lights up. Continue to hold the control knob in for about 20 seconds after the pilot is lit. Release knob.
- 3) Push in gas control knob slightly and turn to "ON" position.
- 4) Turn ON the flame switch.



TO TURN OFF GAS APPLIANCE

- 1) Turn off the flame switch.
 - 2) Push in the gas control knob slightly and turn clockwise  to "OFF". Do not force.
 - 3) Turn off all electric power to the appliance if service is to be performed.
- You may shut off the pilot during prolonged non use periods to conserve fuel.

DO NOT REMOVE THIS INSTRUCTION PLATE

918-474a

MAINTENANCE

- 1) Push in gas control knob slightly and turn clockwise to "OFF". Knob cannot be turned from "PILOT" to "OFF" unless knob is pushed in slightly. Do not force.
- 2) Wait 5 minutes to clear out any gas.
- 3) Turn knob on gas control counterclockwise to "PILOT".
- 4) Push in control knob all the way and hold in. Immediately push black button on spark igniter until pilot lights. Continue to hold the control knob in for about 1/2 minute after the pilot light is lit. Release knob and it will pop back up. Pilot should remain lit.
- 5) Turn gas control knob counterclockwise to "ON".
- 6) Use rocker switch to operate main burner.

SHUTDOWN PROCEDURE

- 1) Use the wall switch, thermostat or remote control to turn off the main burner.
- 2) Turn the main gas control clockwise to the "OFF" position to turn off the pilot.
- 3) Turn off all electric power to appliance if service is to be performed.

FIRST FIRE

The first fire in your fireplace is part of the paint curing process. To ensure that the paint is properly cured, it is recommended that you burn your fireplace for at least four (4) hours the first time you use it with the fan on. When first operated, the unit will release an odour caused by the curing of the paint, the burning off of any oils remaining from manufacturing. Smoke detectors in the house may go off at this time. Open a few windows to ventilate the room for a couple of hours.

The glass panel may require cleaning after the unit has cooled down.

DO NOT ATTEMPT TO CLEAN THE GLASS WHILE IT IS HOT.

Note: When the glass is cold and the appliance is lit, it may cause condensation and fog the glass. This condensation is normal and will disappear in a few minutes as the glass heats up.

DO NOT BURN THE APPLIANCE WITHOUT THE GLASS FRONT IN

During the first few fires, a white film may develop on the glass front as part of the curing process. The glass should be cleaned or the film will bake on and become very difficult to remove. Use a non-abrasive cleaner and NEVER clean the glass while it is hot.

NORMAL OPERATING SOUNDS OF GAS APPLIANCES

It is possible that you will hear some sounds from your gas appliance. This is perfectly normal due to the fact that there are various gauges and types of steel used within your appliance. Listed below are some examples. All are normal operating sounds and should not be considered as defects in your appliance.

Blower:

Regency® gas appliances use high tech blowers to push heated air farther into the room. It is not unusual for the fan to make a "whirring" sound when ON. This sound will increase or decrease in volume depending on the speed setting of your fan speed control.

Burner Tray:

The burner tray is positioned directly under the burner tube and logs and is made of a different gauge material from the rest of the firebox and body. Therefore, the varying thicknesses of steel will expand and contract at slightly different rates which can cause "ticking" and "cracking" sounds. You should also be aware that as there are temperature changes within the unit these sounds will likely re-occur. Again, this is normal for steel fireboxes.

Blower Thermodisc:

When this thermally activated switch turns ON it will create a small "clicking" sound. This is the switch contacts closing and is normal.

Pilot Flame:

While the pilot flame is on it can make a very slight "whisper" sound.

Gas Control Valve:

As the gas control valve turns ON and OFF, a dull clicking sound may be audible, this is normal operation of a gas regulator or valve.

Unit Body/Firebox:

Different types and thicknesses of steel will expand and contract at different rates resulting in some "cracking" and "ticking" sounds will be heard throughout the cycling process.

MAINTENANCE INSTRUCTIONS

- 1) Always turn off the gas valve before cleaning. For relighting, refer to lighting instructions. Keep the burner and control compartment clean by brushing and vacuuming at least once a year. When cleaning the logs, use a soft clean paint brush as the logs are fragile and easily damaged.
- 2) Clean appliance and door with a damp cloth (never when unit is hot). Never use an abrasive cleaner. The glass should be cleaned with a gas fireplace glass cleaner. *The glass should be cleaned when it starts looking cloudy.*
- 3) The heater is finished in a heat resistant paint and should only be refinished with heat resistant paint. Regency® uses StoveBright Paint - Metallic Black #6309.
- 4) Make a periodic check of burner for proper position and condition. Visually check the flame of the burner periodically, making sure the flames are steady; not lifting or floating. If there is a problem, call an authorized service person.
- 5) The appliance and venting system must be inspected before use, and at least annually, by an authorized field service person, to ensure that the flow of combustion and ventilation air is not obstructed.
- 6) Verify proper operation after servicing.

Note: *Never operate the appliance without the glass properly secured in place.*

GOLD-PLATED LOUVERS

The 24 carat gold-plated finish on the louvers and trim requires little maintenance, and need only be cleaned with a damp cloth.

DO NOT use abrasive materials or chemical cleaners, as they may harm the finish and void the warranty.

Clean any fingerprints off before turning the unit on.

LOG REPLACEMENT

The unit should never be used with broken logs. Turn off the gas valve and allow the unit to cool before opening door and carefully remove the logs. (The pilot light generates enough heat to burn someone.) If for any reason a log should need replacement, you must use the proper replacement log. The position of these logs must be as shown in the diagrams under Log Installation.

Note: Improper positioning of logs may create carbon build-up and will severely alter the unit's performance which is not covered under warranty.

THERMOPILE / THERMOCOUPLE

- 1) Remove the top louver and open the bottom louvers.
- 2) Open and remove door.
- 3) Remove front logs.
- 4) Remove burner.
- 5) Loosen the thermocouple or thermopile with a 7/16" wrench.
- 6) Disconnect thermocouple by loosening nut from the valve with a 9mm wrench. Disconnect thermopile by loosening 2 screws marked TP on the valve.
- 7) Peel the silicone from the hole in the base of the unit and drop the thermocouple or thermopile down from the bracket and pull it out of the unit.
- 8) Reinstall the new ones in reverse order making sure to seal the hole in the firebox with silicone in order to maintain the seal integrity of the firebox.

GLASS REPLACEMENT

Your P42 fireplace is supplied with high temperature, 5 mm Neoceram ceramic glass that will withstand the highest heat that your unit will produce. In the event that you break the glass, purchase your replacement glass from an authorized Regency® dealer only, and follow the step-by-step instructions for glass, glass gasket and door gasket replacement.

DOOR GLASS

Your Regency® fireplace is supplied with high temperature, 5 mm Neoceram ceramic glass that will withstand the highest heat that your unit will produce. If your glass requires cleaning, we recommend using an approved glass cleaner available at all authorized dealers. Do not use abrasive materials. Do not clean the glass when hot.

In the event that you break your glass by impact, purchase your replacement from an authorized Regency® dealer only, and follow our step-by-step instructions for replacement.

WARNING

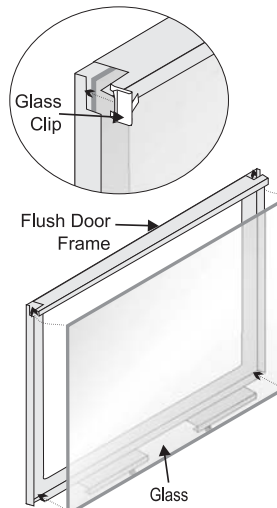
The use of substitute glass will void all product warranties.

Do not operate the appliance with the glass panel(s) removed, cracked or broken. Replacement of the glass panel(s) should be done by an authorized service person.

Flush Glass Replacement

Remove the flush door front (as per instructions in the "Standard Flush Door" section). Remove the 4 glass clips from each corner. Slide in the new replacement glass. Push the 4 glass clips back onto the frame.

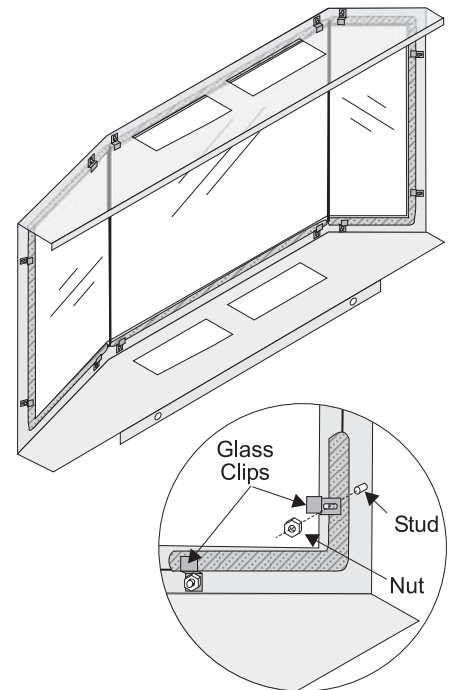
The glass must have gasketing around it.



Caution: Wear gloves when removing damaged or broken glass.

Bay Glass Replacement

- 1) Remove the door from the unit and place on a soft surface to prevent scratching.
- 2) Remove the nuts holding the glass clips in place and remove.
- 3) Replace the glass. The glass must have gasketing around it.



- 4) Reverse the previous steps, replace the glass clips and fasten with the nuts but do not over tighten, as this can break the glass.
- 5) Replace door on the fireplace and check the seal.

WARNING: Do not operate the appliance with the glass panels removed, cracked or broken. Replacement of the glass panels should be done by a licensed or qualified service person.

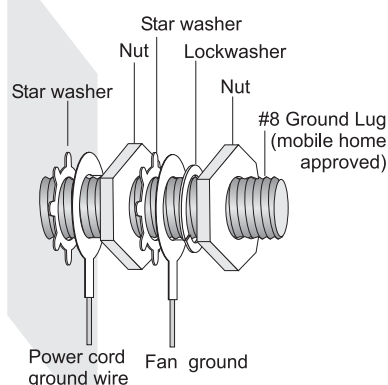
MAINTENANCE

REMOVING THE FAN

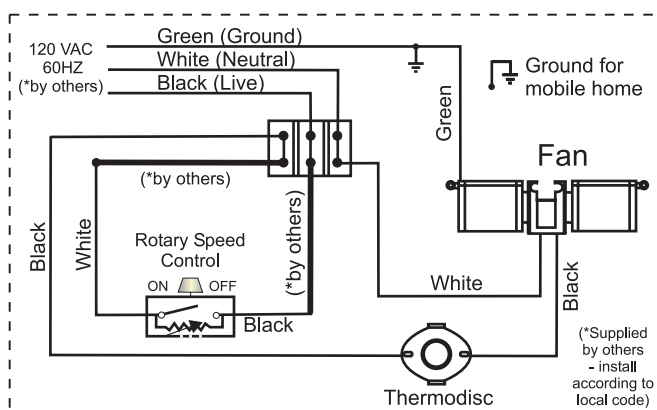
- 1) Shut the power off.
- 2) Remove the bottom louver.
- 3) Remove terminal block cover and disconnect the fan wires.
- 4) Disconnect white fan wire from the terminal block.
- 5) Disconnect black fan wire from the thermodisc.
- 6) Disconnect fan ground wire.
- 7) Lift the fan off the two mounting studs and pull out.

IMPORTANT:

These fans collect a lot of dust from within your home. Ensure you maintain these fan motors on a regular basis by vacuuming out the fan squirrel cages.



Grounding lug detail



REPLACING THE FAN

- 1) Shut the power off.
- 2) Remove the bottom louver. Slide the fan in and push it towards the rear of the unit and slip it over the two mounting studs.
- 3) Remove the terminal block cover. Wire the fan to the terminal block as shown in the wiring diagram below.
- 4) Connect white wire from fan to neutral of terminal block.
- 5) Connect black wire from fan to the thermodisc.
- 6) Connect fan ground wire. Refer to wiring diagram.
- 7) Attach the ground wire to the fireplace (ground lug provided).
- 8) Attach the terminal block cover.

Note: A 120 Volt AC power cord should be installed at rough-in stage so that the power is available. A three wire power cord can be used.

The bearings are lubricated for life. Do not lubricate them. Make sure you vacuum the fan area on a regular basis.

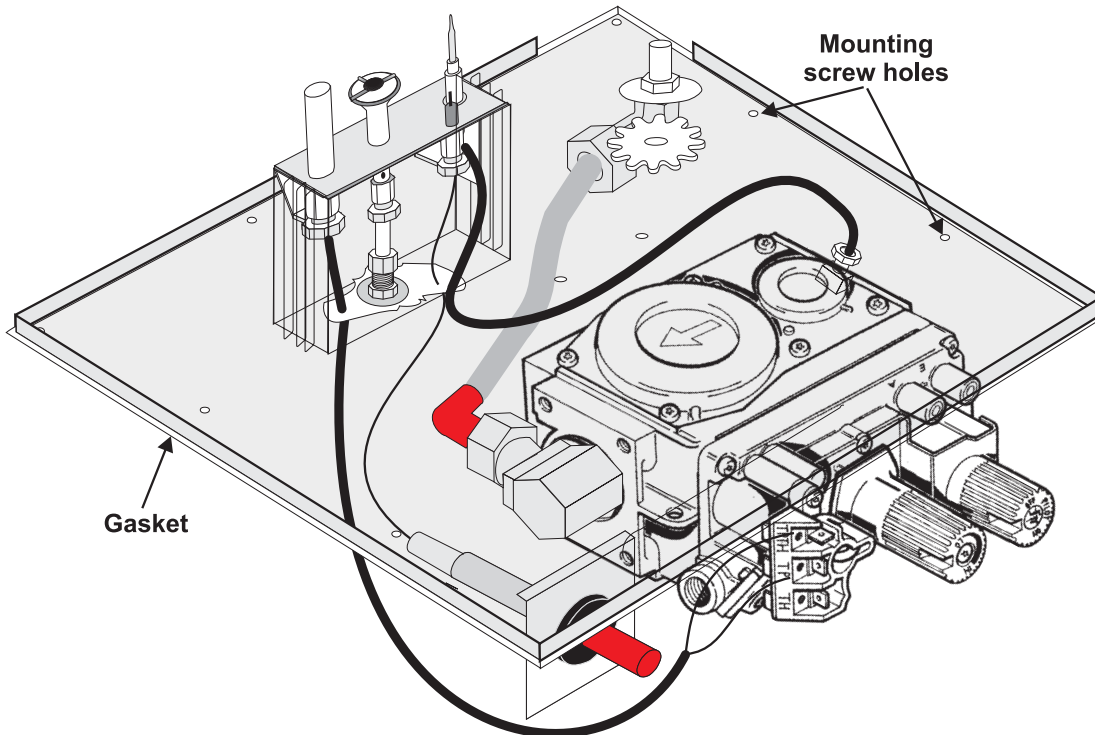
REMOVING VALVE

- 1) Shut off the gas supply.
- 2) Remove the louvers (and bay door if it is on).
- 3) Disconnect the inlet gas line.

Note: Be sure to have an 11/16" wrench on the tee to ensure that the whole line is not twisted

- 4) Disconnect the 2 TP wires and the 2 TH wires from the valve.
- 5) Remove the Piezo igniter wire.
- 6) Open and remove the flush door.
- 7) Remove the logs.
- 8) Remove the burner tube by removing the 3 Phillips head screws and then lift the burner out.
- 9) Remove the burner grate assembly by removing the 3 Phillips head screws on the feet of the grate assembly.
- 10) Brush away all the vermiculite and embers from the right hand half of the fireplace.
- 11) Remove the top and right hand side brick panels.
- 12) Remove the 12 Phillips head screws securing the valve access plate in place and then lift the entire assembly out.
- 13) Undo the pilot tube from the valve with a 7/16" wrench.
- 14) Undo the quick drop out thermocouple nut on the valve with a 9mm wrench.
- 15) Undo the "gas out" flare nut with a 13/16" wrench.
- 16) Undo the "gas out" 90° elbow flare fitting with an 11/16" wrench.
- 17) Remove the 4 Phillips head screws from the sides of the valve bracket and remove valve.

Hint: If you are using black pipe, ensure that there is a union by the valve, otherwise removal will be almost impossible.



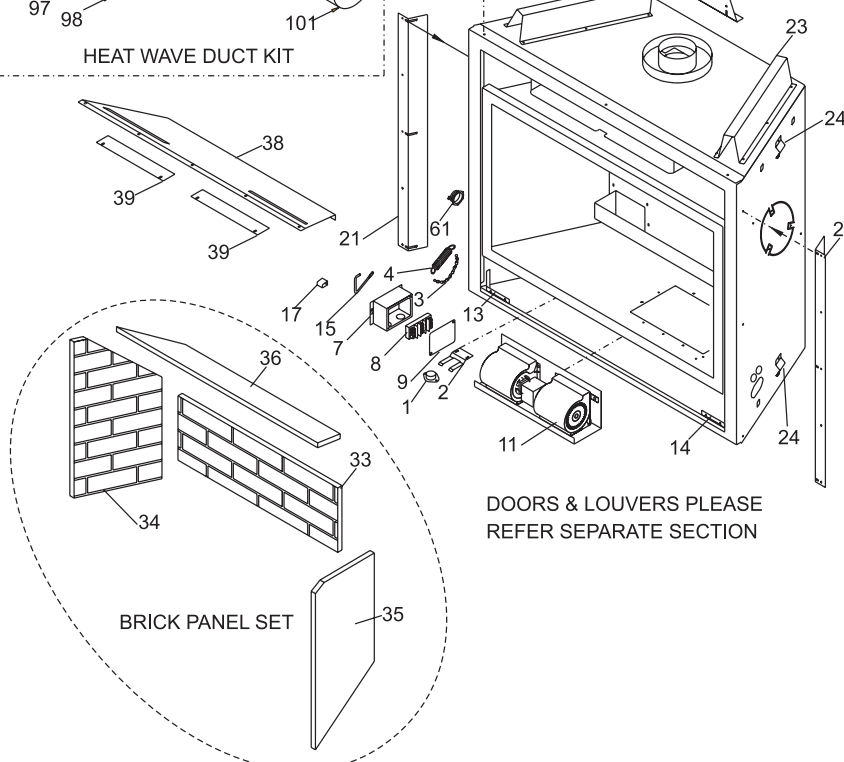
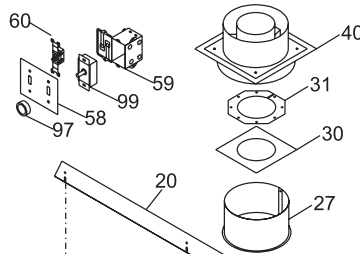
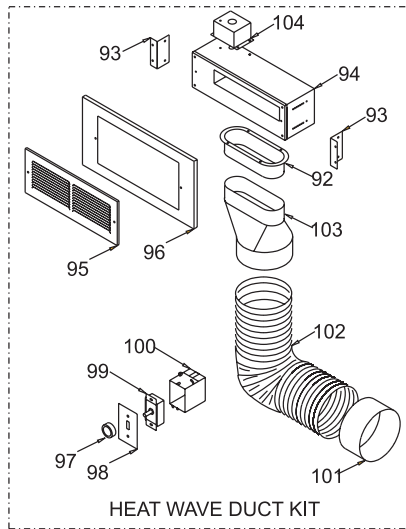
INSTALLING VALVE

- 1) Attach the valve bracket to the valve with the 4 (m5x8 metric) screws provided.
 - 2) Reconnect the "gas out" 90° elbow flare fitting with an 11/16" wrench.
 - 3) Reconnect the "gas out" flare nut with a 13/16" wrench.
 - 4) Reconnect the quick drop out thermocouple nut with a 9mm wrench.
 - 5) Reconnect the pilot tube nut with a 7/16" wrench.
 - 6) Scrape off the old gasket from the floor of the firebox.
 - 7) Install a new gasket and reinstall the valve assembly.
 - 8) Reinstall the 12 hold down screws.
 - 9) Hook up the 2 TP and 2 TH wires to the appropriate connections on the valve.
 - 10) Reinstall the burner grate. Put a dab of high temperature silicone over the 3 screw holes.
 - 11) Install Burner tube.
 - 12) Hook up the gas line and check for gas leaks with a soap and water solution or a gas leak detector. (Do not use open flame for leak testing.)
 - 13) Fire up the unit.
 - 14) Check the manifold pressure.
 - 15) Reinstall the vermiculite, embers, rockwool and logs as needed.
 - 16) Install and close the door and replace the louvers.
- Note: Failure to install a new gasket may severely affect the appliance performance.**

PARTS LIST

P42 MAIN ASSEMBLY

Part #	Description	Part #	Description	Part #	Description
1)	910-142 Fan - Auto ON/OFF Thermodisc	20)	601-077 Top Nailing Strip	38)	601-092 Baffle
2)	820-389 Thermodisc Bracket	21)	601-078 Side Nailing Strip	39)	601-171 Restrictor
3)	948-045 Chain	23)	601-036 Standoff - Top	40)	510-994 Rigid Pipe Adapter
4)	948-115 Extension Spring	24)	511-044 Standoff - Side/Back	58)	910-413 2-switch cover plate
7)	910-184 Terminal Block	510-089	Gasket - Air Inlet	59)	910-420 Double gang box
8)	510-125 Terminal Block Housing	836-105	Top Insulation	60)	910-363 Wall Switch - White
9)	510-126 Terminal Block Housing Cover	27)	* Outer Flue Collar	61)	904-687 3/8" Clamp Connector
	600-515/P Fan Assembly (120 V)	30)	* Gasket for Flue Collar	97)	910-417 White Knob
11)	910-157/P Fan / Blower (120 V)	31)	* Flue Mounting Plate	99)	910-412 Fan Speed Control (wall mounted)
	910-882 Wire (Valve to Burner Switch)	602-902	Brick Panel Std Red (Set)		946-556 Heat Wave Duct Kit (Optional)
13)	601-021 Bottom Hinge Bracket-Left	33)	* Brick Panel Back	92)	946-001 Oval Duct Adaptor
14)	601-022 Bottom Hinge Bracket-Right	34)	* Brick Panel Left Side	93)	946-007 Angle Bracket
15)	948-253 Relief Door Handle	35)	* Brick Panel Right Side	94)	946-517/P Fan Assembly - Heat Wave
17)	910-199 Wire Holder Clip	36)	* Brick Panel Top	95)	946-006 Grill Plate - White
		601-170	Top Front Brick Trim	96)	946-005/01 Wall Adaptor Plate - White
				97)	910-417 Knob - White
				98)	910-366 Switch Cover Plate - White
				99)	910-412 Fan Speed Controller
				100)	910-367 Box - Plastic Switch Receptacle
				101)	946-000 Round Duct Adaptor
				102)	946-010 Flexible Air Duct
					946-038 Insulation 6" Dia. x 24"
				103)	946-002 Round to Oval Adaptor
				104)	946-004 Junction Box

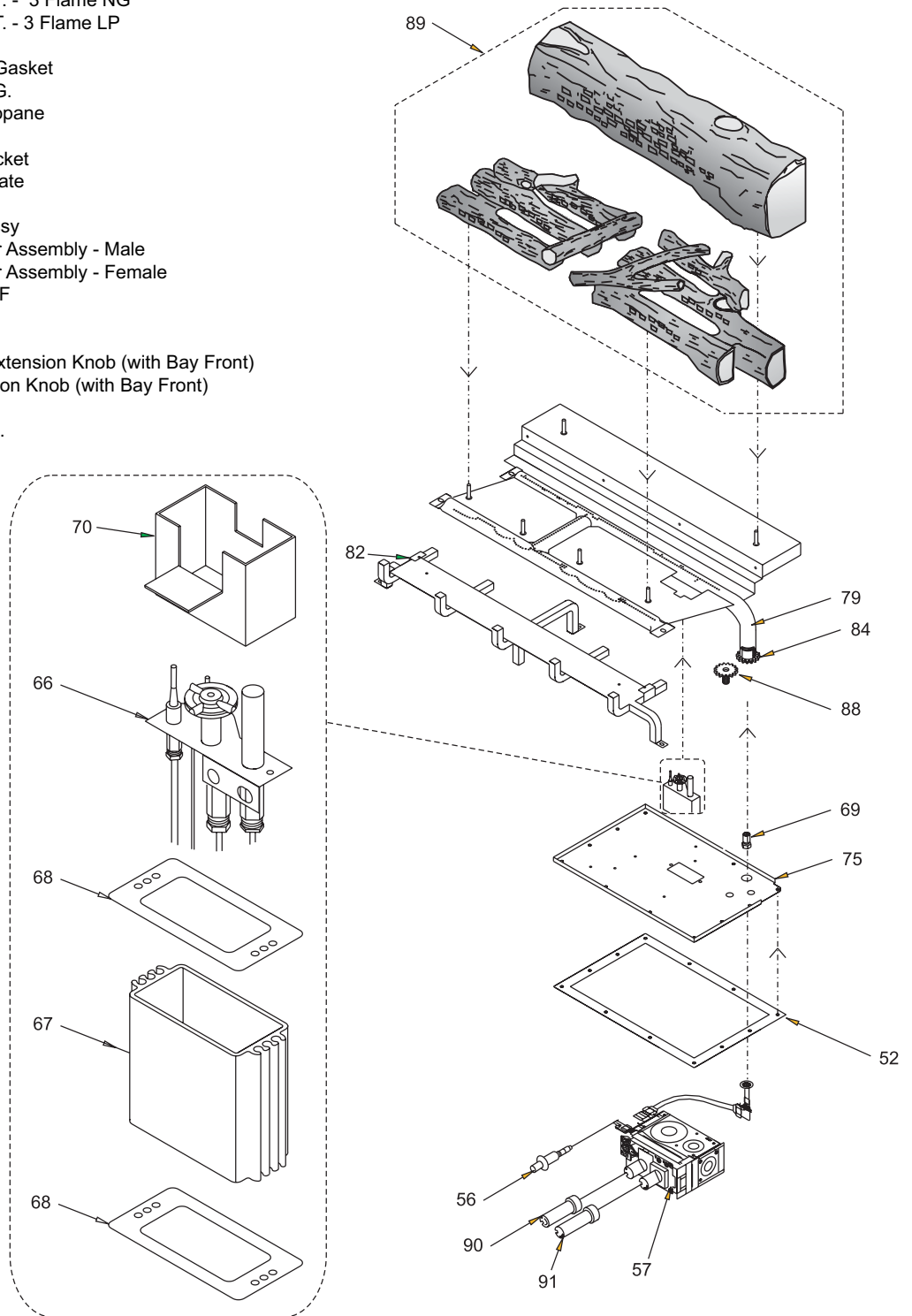


*Not available as a replacement part.

P42 BURNER & LOG ASSEMBLY

Part #	Description
602-574/P	Valve Assembly - Natural Gas
602-576/P	Valve Assembly - Propane
52) *	Gasket - Valve Access Plate
56) 910-190	Piezo Ignitor & Nut
57) 910-478	Valve S.I.T. - NG/LPG
66) 910-038	Pilot Assy - S.I.T. - 3 Flame NG
910-039	Pilot Assy - S.I.T. - 3 Flame LP
67) *	Pilot Holder
68) W840470	Pilot Assembly Gasket
69) 904-689	#33 Orifice - N.G.
904-641	#50 Orifice - Propane
936-170	Orifice Gasket
70) 601-133	Pilot Flame Bracket
75) *	Valve Access Plate
79) 601-535	Burner Assy
82) 600-555	Burner/Grate Assy
84) *	Air Shutter Gear Assembly - Male
88) 260-565	Air Shutter Gear Assembly - Female
904-565	Hex key 3/16" AF
89) 600-964	P42 Log Set
90) 910-421	Pilot ON/OFF Extension Knob (with Bay Front)
91) 910-422	HI/LOW Extension Knob (with Bay Front)

*Not available as a replacement part.

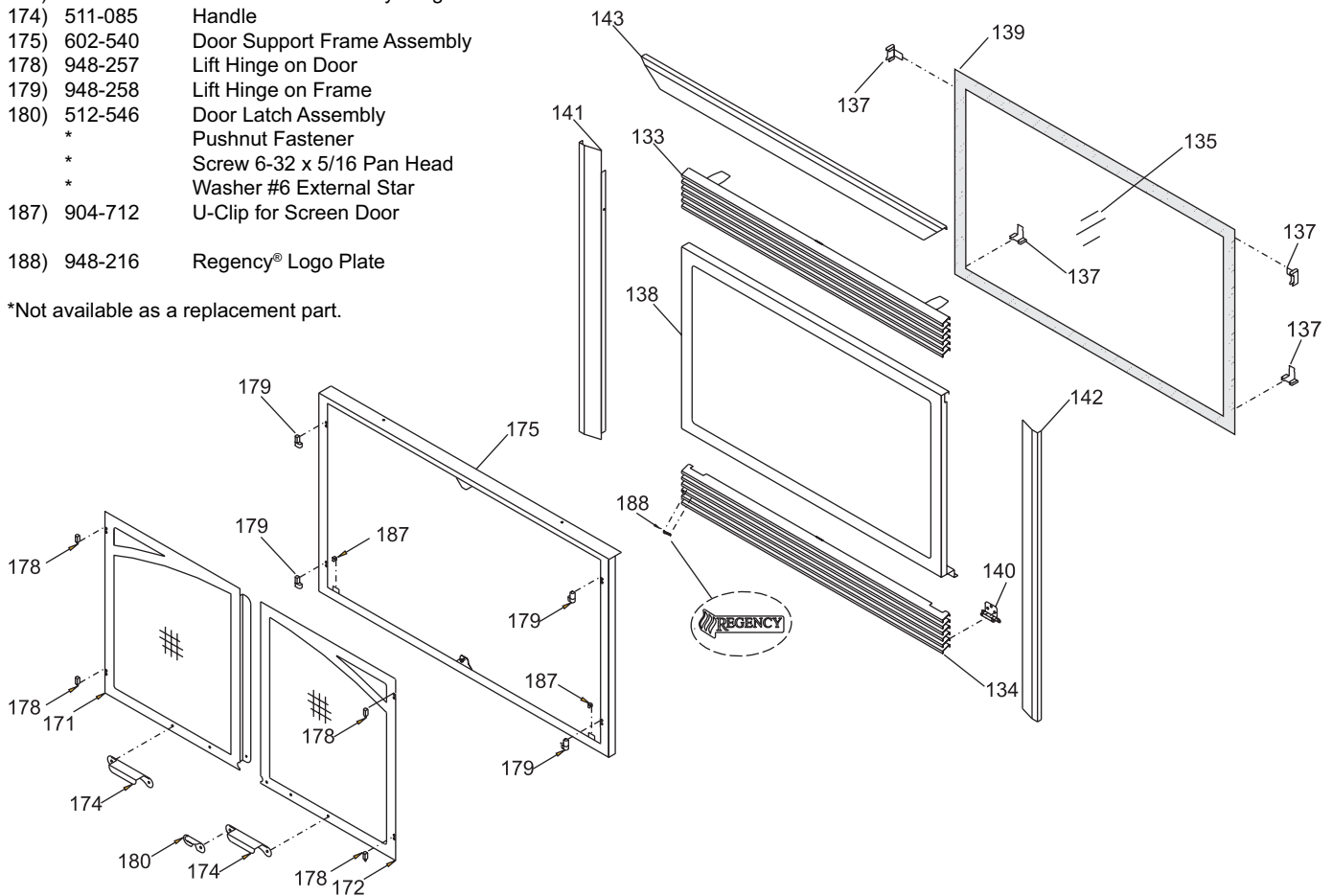


PARTS LIST

P42 FLUSH DOOR & LOUVERS

Part #	Description
600-960	Flush Louvers (Set) - Gold/Black
600-958	Flush Louvers (Set) - Black
600-961	Flush Louvers (Set) - Steel/Black
133) *	Flush Louver Assy-Top
134) *	Flush Louver Assy-Bottom
Flush Door Assembly Complete	
135) 940-086/P	Glass (Flush)
137) 904-691	U-Clip
138) *	Flush Door Frame
139) 936-155	Glass Gasket (Tadpole)
140) 948-042	Spring Hinge
600-965	Finishing Trim - Black
141) *	Trim Side Left - Black
142) *	Trim Side Right - Black
143) *	Trim Top - Black
600-943	Double Screen Door Complete (Optional)
171) *	Door Frame Assembly - Left
172) *	Door Frame Assembly - Right
174) 511-085	Handle
175) 602-540	Door Support Frame Assembly
178) 948-257	Lift Hinge on Door
179) 948-258	Lift Hinge on Frame
180) 512-546	Door Latch Assembly
*	Pushnut Fastener
*	Screw 6-32 x 5/16 Pan Head
*	Washer #6 External Star
187) 904-712	U-Clip for Screen Door
188) 948-216	Regency® Logo Plate

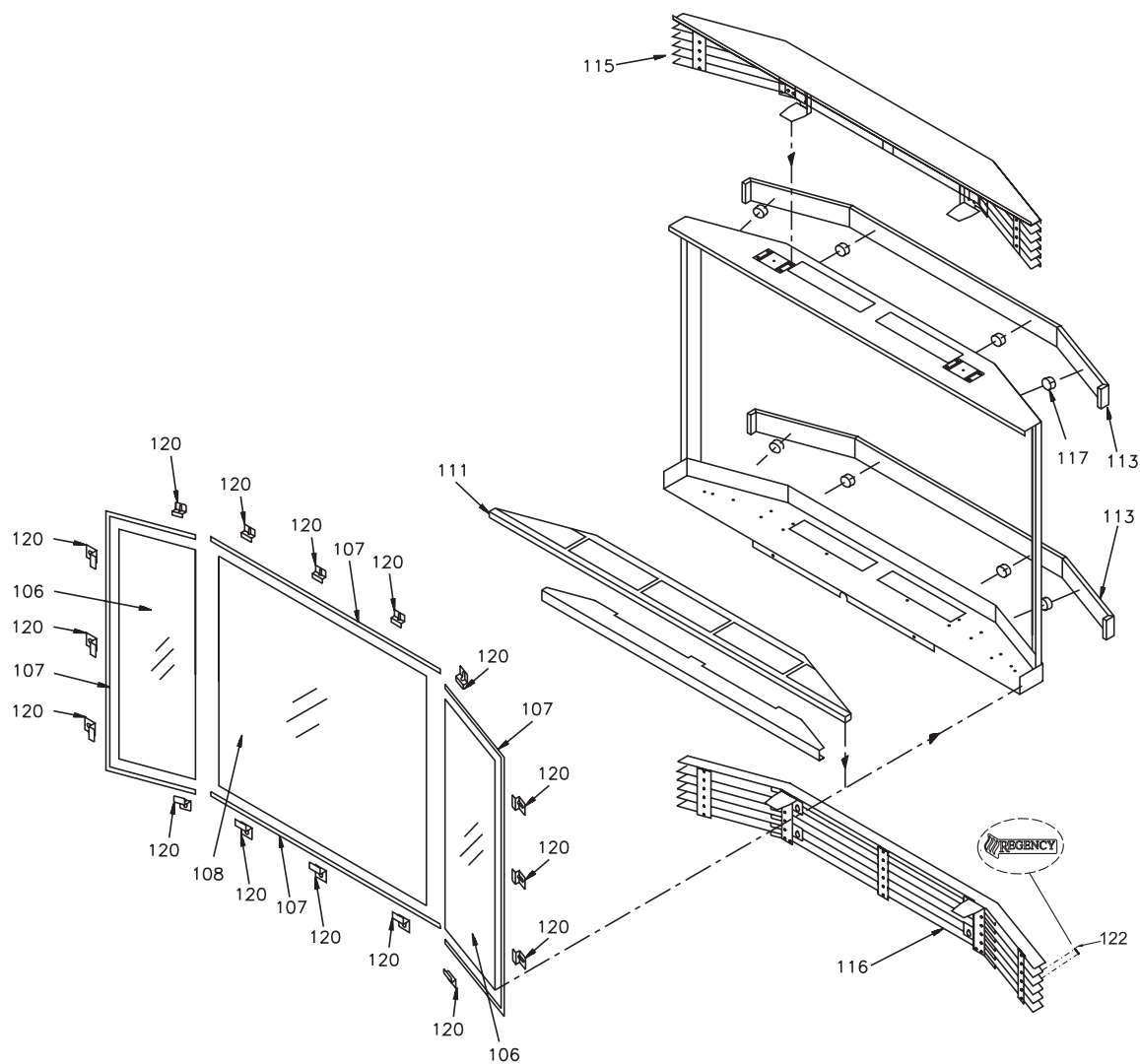
*Not available as a replacement part.



P42 BAY FRONT & LOUVERS

Part #	Description	Part #	Description
603-930	Bay Front Complete with Glass & Black Trim	600-954	Bay Louvers (Set) - Black
106)	940-102/P Side Glass	600-956	Bay Louvers (Set) - Gold/Black
107)	936-243 Glass Gasket	600-957	Bay Louvers (Set) - Steel/Black
108)	940-101/P Center Glass	115)	* Bay Louver Assy-Top
111)	602-906 Brick Panel - Bay Std Red	116)	* Bay Louver Assy-Bottom
113)	* Bay Door Trim (Each) -Black	117)	904-196 Magnet (1" round)
602-932	Bay Door Trim (Set) - Gold	120)	400-189 Flush Glass Retainer Bracket
		122)	948-216 Regency® Logo Plate

* Not available as a replacement part.





Regency Fireplace Products are designed with reliability and simplicity in mind. In addition, our internal Quality Assurance Team carefully inspects each unit thoroughly before it leaves our facility. FPI Fireplace Products International Ltd. is pleased to extend this limited lifetime warranty to the original purchaser of a Excalibur Product. This warranty is not transferable.

The Warranty: Limited Lifetime

The combustion chamber, heat exchanger, burner tubes/pans, logs, brick panels and gold plating (against defective manufacture only) are covered under the Limited Lifetime Warranty for five (5) years for parts and subsidized labour* and parts only thereafter.

Glass is covered for lifetime against thermal breakage only, parts and subsidized labour* for five (5) years and parts only thereafter from date of purchase.

External casting, surrounds and grills are covered against cracks and warps resulting from manufacturer defects, parts and subsidized labour* for three (3) years from the date of purchase and parts only thereafter.

Special Finishes - One year on brushed nickel and antique copper full screens and doors. You can expect some changes in color as the product "ages" with constant heating and cooling. FPI warrants the product for any manufacturing defects on the original product. However, the manufacturers warranty does not cover changing colors and marks, ie. finger prints, etc applied after the purchase of the product. Damage from the use of abrasive cleaners is not covered by warranty.

Electrical and mechanical components such as blowers, switches, wiring, thermodiscs, FPI remote controls, spill switches, thermopiles, thermocouples, pilot assembly components, and gas valves are covered for two years parts and one year subsidized labour* from the date of purchase. Blowers and valves replaced under warranty are considered repairs and continue as if new with appliance. ie. twelve (12) months from original purchase date of appliance with a minimum of three (3) months coverage from date of replacement.

FPI venting components are covered parts and subsidized labour* for three (3) years from date of purchase.

Simpson Dura-Vent venting components (Direct Vent units) are covered by Simpson Dura-Vent Inc. warranty.

Repair/replacement parts purchased by the consumer from FPI after the original coverage has expired on the unit will carry a 90 day warranty, valid with a receipt only. Any item shown to be defective will be repaired or replaced at our discretion. No labor coverage is included with these parts.

Conditions:

Any part or parts of this unit which in our judgement show evidence of such defects will be repaired or replaced at FPI's option, through an accredited distributor or agent provided that the defective part be returned to the distributor or agent **Transportation Prepaid**, if requested.

Porcelain/Enamel - Absolute perfection is either guaranteed nor commercially possible. Any chips must be reported and inspected by an authorized dealer within three days of installation. Reported damage after this time will be subject to rejection.

It is the general practice of FPI to charge for larger, higher priced replacement parts and issue credit once the replaced component has been returned to FPI and evaluated for manufacturer defect.

The authorized selling dealer is responsible for all in-field service work carried out on your Regency product. FPI will not be liable for results or costs of workmanship from unauthorized service persons or dealers.

At all times FPI reserves the right to inspect product in the field which is claimed to be defective.

All claims must be submitted to FPI by authorized selling dealers. It is essential that all submitted claims provide all of the necessary information including customer name, purchase date, serial #, type of unit, problem, and part or parts requested, without this information the warranty will be invalid.

Exclusions:

This limited Lifetime Warranty does not extend to or include paint, door or glass gasketing or trim.

At no time will FPI be liable for any consequential damages which exceed the purchase price of the unit. FPI has no obligation to enhance or modify any unit once manufactured. ie. as products evolve, field modifications or upgrades will not be performed.

FPI will not be liable for travel costs for service work.

Installation and environmental problems are not the responsibility of the manufacturer and therefore are not covered under the terms of this warranty policy.

Embers, rockwool, gaskets, door handles and paint are not covered under the terms of this warranty policy.

Any unit which shows signs of neglect or misuse is not covered under the terms of this warranty policy.

The warranty will not extend to any part which has been tampered with or altered in any way, or in our judgment has been subject to misuse, improper installation, negligence or accident, spillage or downdrafts caused by environmental or geographical conditions, inadequate ventilation, excessive offsets, negative air pressure caused by mechanical systems such as furnaces, fans, clothes dryer, etc.

Freight damage to stoves and replacement parts is not covered by warranty and is subject to a claim against the freight carrier by the dealer.

FPI will not be liable for acts of God, or acts of terrorism, which cause malfunction of the appliance.

Performance problems due to operator error will not be covered by this warranty policy.

Products made or provided by other manufacturers and used in conjunction with the operation of this appliance without prior authorization from FPI, may nullify your warranty on this product.

Any alteration to the unit which causes sooting or carboning that results in damage to the interior / exterior facia is not the responsibility of FPI.

* Subsidy according to job scale as predetermined by FPI.



Regency® fireplace products are designed with reliability and simplicity in mind. In addition, our internal Quality Assurance Team carefully inspects each unit thoroughly before it leaves our door.

Fireplace Products International Ltd. is pleased to extend this Limited Lifetime Warranty to the original purchaser of a Regency® Product.

See the inside back cover for details.

Register your Regency® online at
<http://www.regency-fire.com>

Installer: Please complete the following information

Dealer Name & Address: _____

Installer: _____

Phone #: _____

Date Installed: _____

Serial No.: _____

Free Manuals Download Website

<http://myh66.com>

<http://usermanuals.us>

<http://www.somanuals.com>

<http://www.4manuals.cc>

<http://www.manual-lib.com>

<http://www.404manual.com>

<http://www.luxmanual.com>

<http://aubethermostatmanual.com>

Golf course search by state

<http://golfingnear.com>

Email search by domain

<http://emailbydomain.com>

Auto manuals search

<http://auto.somanuals.com>

TV manuals search

<http://tv.somanuals.com>