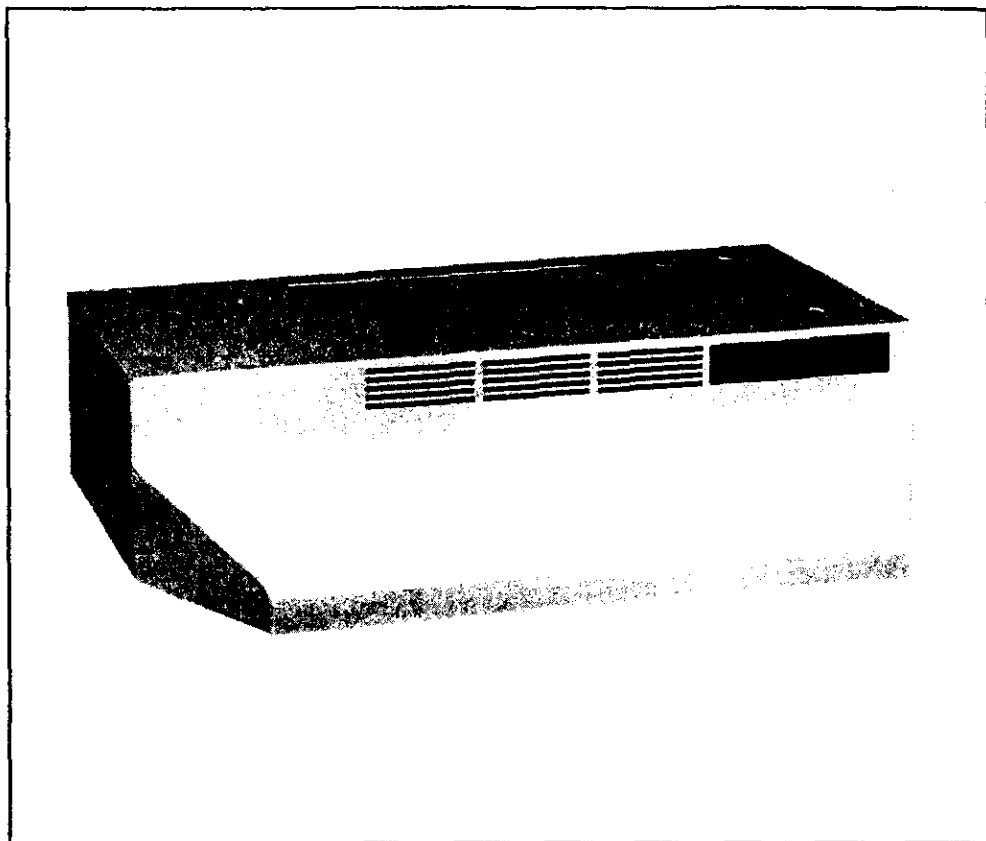


SEARS

OWNER'S MANUAL

Model Nos.
233.51345590
233.53245590
233.53345590

Caution:
Read and follow
all **Safety Rules** and
Operating Instructions
before first use of this
Product.



RANGE HOOD

- ◆ **Safety Instructions**
- ◆ **Operation**
- ◆ **Care and Maintenance**
- ◆ **Wiring Diagram**
- ◆ **Warranty**
- ◆ **Parts List**

Sears, Roebuck and Co., Hoffman Estates, IL 60179 U.S.A.

READ AND SAVE THESE INSTRUCTIONS

SAFETY INSTRUCTIONS

WARNING

TO REDUCE THE RISK OF FIRE, ELECTRICAL SHOCK, OR INJURY TO PERSONS, OBSERVE THE FOLLOWING:

1. Use this unit only in the manner intended by the manufacturer. If you have questions, contact the manufacturer at the address or telephone number listed in the warranty.
2. Before servicing or cleaning unit, switch power off at service panel and lock service panel to prevent power from being switched on accidentally.
3. Installation work and electrical wiring must be done by a qualified person(s) in accordance with all applicable codes and standards.
4. Sufficient air is needed for proper combustion and exhausting of gases through the flue (chimney) of fuel burning equipment to prevent backdrafting. Follow the heating equipment manufacturer's guideline and safety standards such as those published by the National Fire Protection Association (NFPA), and the American Society for Heating, Refrigeration and Air Conditioning Engineers (ASHRAE), and the local code authorities.
5. When cutting or drilling into wall or ceiling, do not damage electrical wiring and other hidden utilities.
6. Ducted fans must always be vented to the outdoors.
7. Do not use this unit with any solid-state speed control device.
8. To reduce the risk of fire, use only metal ductwork.
9. This unit must be grounded.

TO REDUCE THE RISK OF A RANGE TOP GREASE FIRE:

1. Keep fan, filters and grease laden surfaces clean.
2. Always turn hood ON when cooking at high heat.
3. Use high range settings on range only when necessary. Heat oil slowly on low to medium setting.
4. Don't leave range unattended when cooking.
5. Always use cookware and utensils appropriate for the type and amount of food being prepared.

TO REDUCE THE RISK OF INJURY TO PERSONS IN THE EVENT OF A RANGE TOP GREASE FIRE, OBSERVE THE FOLLOWING:*

1. SMOTHER FLAMES with a close-fitting lid, cookie sheet, or metal tray, then turn off the burner. BE CAREFUL TO PREVENT BURNS. If the flames do not go out immediately, EVACUATE AND CALL THE FIRE DEPARTMENT.
2. NEVER PICK UP A FLAMING PAN - You may be burned.
3. DO NOT USE WATER, including wet dishcloths or towels - a violent steam explosion will result.
4. Use an extinguisher ONLY if:
 - A. You know you have a Class ABC extinguisher and you already know how to operate it.
 - B. The fire is small and contained in the area where it started.
 - C. The fire department is being called.
 - D. You can fight the fire with your back to an exit.

* Based on "Kitchen Firesafety Tips" published by NFPA.

CAUTION

1. For general ventilating use only. Do not use to exhaust hazardous or explosive materials and vapors.
2. To avoid motor bearing damage and noisy and/or unbalanced impellers, keep drywall spray, construction dust, etc. off power unit.
3. For best capture of cooking impurities, your range hood should be mounted 18-24" above the cooking surface.
4. Please read specification label on product for further information and requirements.

OPERATION

CONTROLS

The fan and light are each controlled by a rocker switch. The light switch has two positions, "ON" and "OFF". The fan switch has three positions - "HIGH", "LOW", and "OFF". ("OFF" is the middle position.)

CARE AND MAINTENANCE

CLEANING

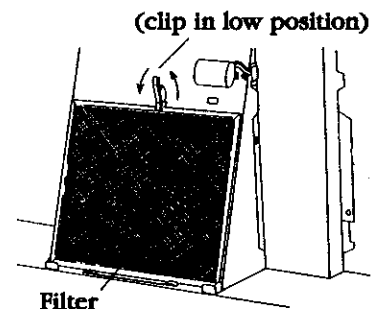
Always disconnect the electricity from the range hood before servicing. Keep your range hood clean by using a mild detergent suitable for painted surfaces. DO NOT USE ABRASIVE CLOTH, STEEL WOOL PADS OR SCOURING POWDERS. The fan assembly is designed to be easily removed for cleaning. See "Fan Assembly Removal" below.

Aluminum filters used in vented hoods are dishwasher safe. Avoid extremely caustic cleaning agents, however. They may discolor the aluminum. Clean filters once a month.

Ventless hoods are equipped with a special ventless filter. Do not wash the filter - its effectiveness will be destroyed. The ventless filter will last up to twelve months with normal use. Replace the filter whenever the blue side becomes noticeably dirty or discolored.

FILTER REPLACEMENT

Filters are removed by turning the filter retaining clip to the side and lifting the filter out. Place the filter under the embossed retaining tabs on the back of the fan housing. Turn the filter retaining clip so that the low end of the clip holds the filter in place.

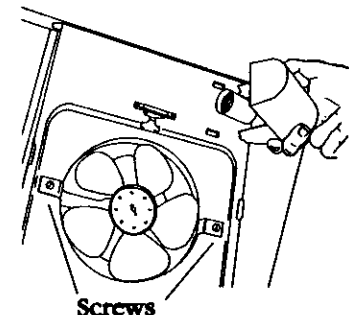


In ventless hoods, MAKE SURE THAT THE BLUE SIDE OF THE FILTER IS NEXT TO THE FAN WHEN THE FILTER IS INSTALLED.

NOTE: Make sure that the arrows on the filter retaining clip point toward the front and back of the hood.

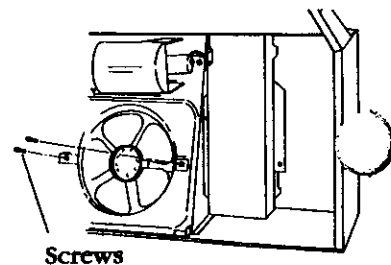
LIGHT BULB REPLACEMENT

The light bulb (not supplied with hood) should be 75 Watt maximum. Remove the light lens covering the bulb by pressing the two extending tabs together until they release from the retaining slots in the hood.

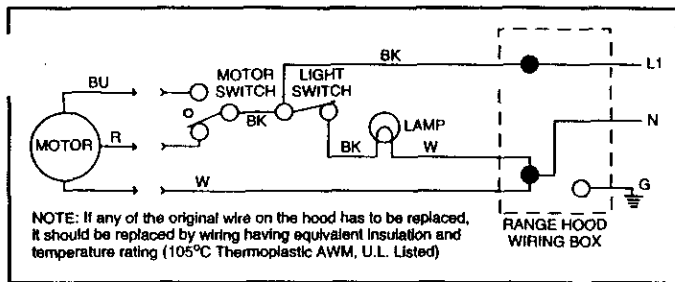


TO REMOVE FAN ASSEMBLY

Make sure that power is disconnected. Remove filter. Remove two screws holding motor bracket to range hood. Unplug fan assembly. Be careful not to allow fan assembly to drop when screws are removed. Be careful not to bend or damage the fins on the blade - they will be put out of balance.



WIRING DIAGRAM



WARRANTY

FULL THREEYEAR WARRANTY ON PARTS

If within 3 years from the date of installation, any part of this range hood fails to function properly due to a defect in material or workmanship, Sears will repair the part or furnish and install a new part, free of charge.

FULL 30-DAY WARRANTY ON FINISH ON PAINTED OR BRIGHT METAL PARTS

If within 30 days from the date of installation, the finish on any painted or bright metal parts of this range hood is defective in material or workmanship, Sears will furnish and install a new part, free of charge.

WARRANTY SERVICE IS AVAILABLE BY CONTACTING THE NEAREST SEARS SERVICE CENTER/DEPARTMENT IN THE UNITED STATES.

This warranty applies only while this product is in use in the United States. This warranty gives you specific legal rights and you may have other rights which vary from state to state.

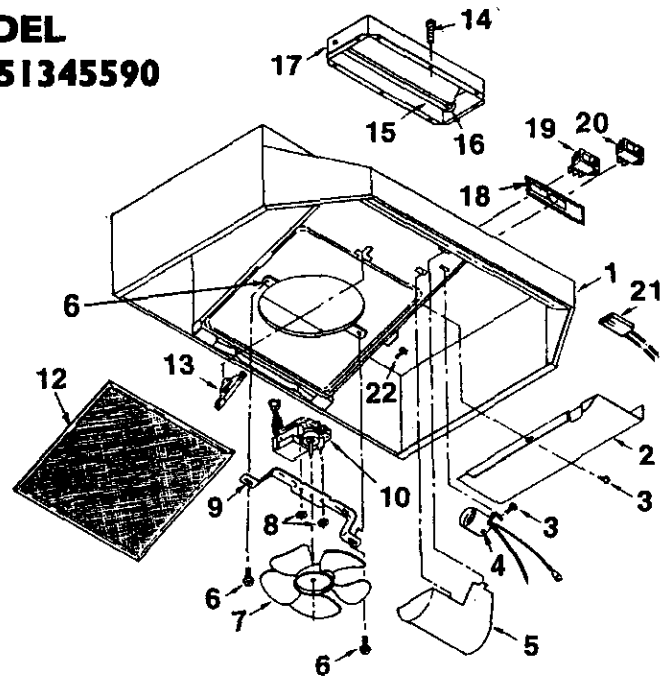
Sears, Roebuck and Co., Dept 817WA, Hoffman Estates, IL 60179

PARTS LIST

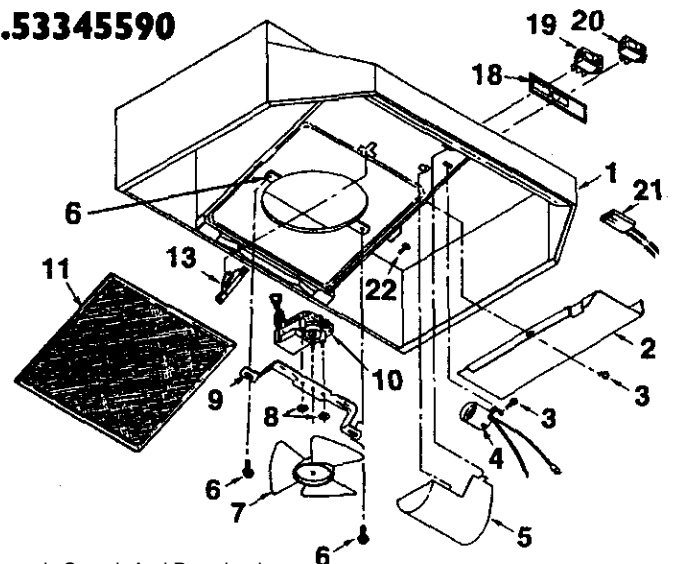
KEY NO.	233.53245590 233.53345590 PART NO.	233.51345590 PART NO.	DESCRIPTION
1	97009024	-----	Canopy - 24" White
	97009025	-----	Canopy - 24" Almond
	97009027	97009018	Canopy - 30" White
	97009028	97009019	Canopy - 30" Almond
2	98006621	98006621	Outlet Box Cover
3	99150478	99150478	8-18 x 3/8 Phillips Truss Sheet Metal Screw* (2 Required)
4	97005675	97005675	Bulb Holder with Wires
5	99110437	99110437	Light Lens
3	97011217	97011217	Screw/Nut Kit (Includes 2 - #10-16 x .500 Screws and 2 - #10-16 Sheet Metal Nuts)
7	99020249	99020248	Fan Blade
8	99260428	99260428	#6-32 Locking Nuts* (2 Required)
9	98005568	98005568	Motor Mounting Bracket
10	97011220	97012248	Motor Assembly (Includes Key Nos. 7, 8 & 9)
11	97007937	-----	Ventless Filter
12	-----	97006931	Aluminum Filter
13	99420472	99420472	Filter Retainer
14	-----	99150415	#8B x 1/4 Hex Head Sheet Metal Screw* (2 Required)
15	-----	98005221	Damper Flap
16	-----	99100379	Damper Bushing
17	-----	97005544	Damper Assembly (Includes Key Nos. 15 & 16)
18	97010709	97010709	Nameplate - Black
	99090989	99090989	Nameplate - White
19	99030172	99030172	2-Speed Motor Switch - Black
	99030248	99030248	2-Speed Motor Switch - White
20	99030171	99030171	Light Switch - Black
	99030247	99030247	Light Switch - White
21	97005678	97005678	Motor Receptacle with Wires
22	99150471	99150471	#10-32 x 1/2 Green Ground Screw* Light Bulb, 75 Watt (Not Included)* Installation Instructions

* Standard Hardware. May be purchased locally.
** Not Illustrated.

MODEL 233.51345590



MODELS 233.53245590 233.53345590



SEARS

OWNER'S MANUAL

Model Nos.
233.51345590
233.53245590
233.53345590

The model number of your range hood is found on a label inside the hood.

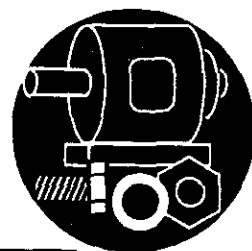
When requesting service or ordering parts, always provide the following information:

- ◆ **Product Type**
- ◆ **Model Number**
- ◆ **Part Number**
- ◆ **Part Description**



RANGE HOOD

For the repair or replacement parts you need
Call 7 am - 7 pm, 7 days a week
1-800-366-PART
(1-800-366-7278)



For in-home major brand repair service
Call 24 hours a day, 7 days a week
1-800-4-REPAIR
(1-800-473-7247)



For the location of a
Sears Repair Service Center in your area
Call 24 hours a day, 7 days a week
1-800-488-1222



For information on purchasing a Sears
Maintenance Agreement or to inquire
about an existing Agreement
call 9 am - 5 pm, Monday-Saturday
1-800-827-6655



SEARS
REPAIR SERVICES
America's Repair Specialists

Sears, Roebuck and Co., Hoffman Estates, IL 60179 U.S.A.

99042583A

Free Manuals Download Website

<http://myh66.com>

<http://usermanuals.us>

<http://www.somanuals.com>

<http://www.4manuals.cc>

<http://www.manual-lib.com>

<http://www.404manual.com>

<http://www.luxmanual.com>

<http://aubethermostatmanual.com>

Golf course search by state

<http://golfingnear.com>

Email search by domain

<http://emailbydomain.com>

Auto manuals search

<http://auto.somanuals.com>

TV manuals search

<http://tv.somanuals.com>