



Repair services

America's repair specialists

SEARS KENMORE CANISTER VACUUM CLEANER

MODEL: 721.26082B



BEFORE SERVICING THE UNIT, READ THE "SAFETY PRECAUTIONS" IN THIS MANUAL.

MODEL 721.26082B

MECHANICAL SERVICE INFORMATION

TABLE OF CONTENTS

1. SAFETY PRECAUTIONS	3
2. CAUTIONS	3
3. DESCRIPTION/SPECIFICATIONS	4
4. DISASSEMBLY	5-7
5. TROUBLE SHOOTING	8-10
6. BLOCK DIAGRAM/SCHEMATIC DIAGRAM/CIRCUIT DIAGRAM.....	11
7. EXPLODED VIEW/REPLACEMENT PARTS LIST.....	12-16

1. SAFETY PRECAUTIONS

MODEL 721.26082B

BEFORE OPERATING THIS VACUUM CLEANER, READ THIS SERVICE MANUAL THOROUGHLY, AND OBSERVE EACH POINT CAREFULLY.

1. Empty the dust bin or clean the washable filter in case the indicator moves toward red.

- 1) If the dust bin is full, intake power will be reduced.
- 2) When the dust bin is full of dust, empty the dust bin and clean the washable filter.

2. Filter

- 1) The filter is composed of a motor safety filter, an exhaust filter, a washable filter and mesh screen.
- 2) Never use the vacuum cleaner without filters. It may harm to the motor.
- 3) When the cloth bag, the motor safety filter and the exhaust filter are soiled, wash the filter with neutral cleanser.
Note : Re-use of the the motor safety filter, exhaust filter and washable filter.
 - Never wash the filter in a washing machine or in a dishwasher.
 - Never use hot water for washing the filter.
 - Re-use the filter after drying it completely in the shade.
 - Do not dry near fire or direct sun ray.

3. Dust indicator

Dust indicator shows you red color when the dust bin is full of dust.

Then, empty the dust bin and clean the washable filter.

4. Avoid suction such materials as:

- 1) Liquid or wet dust: Clogging the ventilation holes, reduces the intake power significantly and harms the motor.
- 2) Inflammable liquids such as benzene, alcohol or sol-vents.
- 3) Burning objects such as cigarette butts.
- 4) Bulky objects such as vinyl, paper, etc.
- 5) Sharp objects such as needles, pins, metal or glass particles, etc.

5. Attachments

- Nozzle : for cleaning wooden floor, the room floor and carpet.
- Crevice Tool: for cleaning any crevice, inside corners of window frames. However, do not use the crevice tool more than 20 minutes because it may cause harm to the motor.
- Dusting brush : for cleaning clothes curtains.

6. Close supervision is necessary when this vacuum cleaner is used by or near children. Children's carelessness may cause damage to the cleaner or injure persons.

7. Air exhausted from the vacuum cleaner is normally warm. But if extraordinarily hot air is exhausted, check if the extension wands, hose or dust bin is full or not.

8. Electric shock could occur if used outdoors or on wet surfaces.

2. CAUTIONS

BEFORE ATTEMPTING TO SERVICE OR ADJUST ANY PART OF THE VACUUM CLEANER, DISCONNECT THE ELECTRICAL POWER SUPPLY CORD FROM THE WALL OUTLET.

1. Motor exchange

- 1) Separate the Body Cover and Body Base by unfastening the screws.
- 2) Disconnect the lead wires.
- 3) Lift the old motor and replace it with a new one.

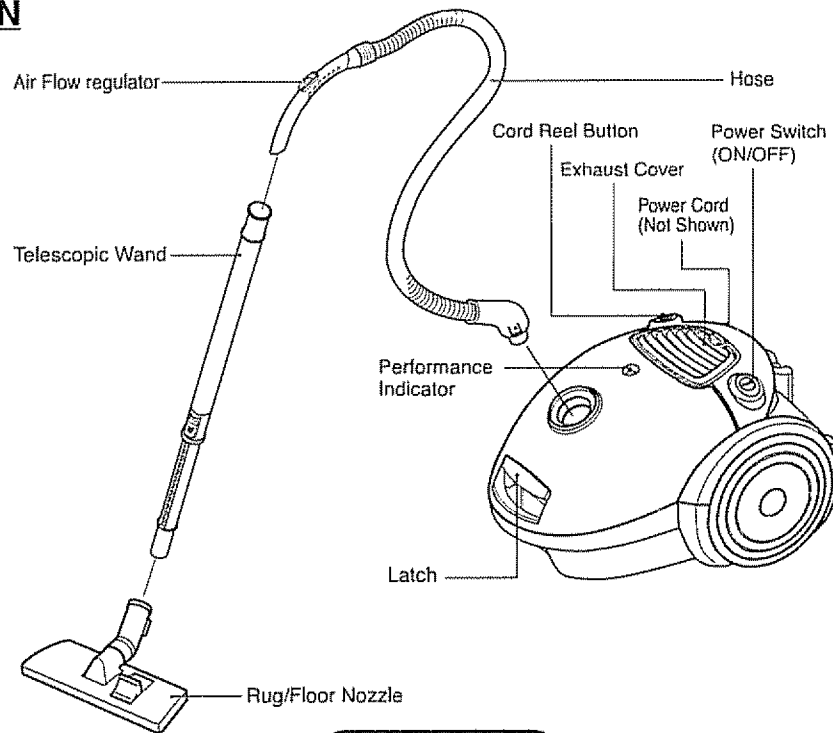
2. In case of exchanging other parts, refer to the exploded view.

3. DESCRIPTION/SPECIFICATIONS

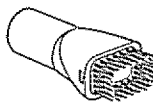
MODEL 721.26082B

3.2 MODEL 721.26082B

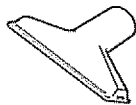
DESCRIPTION



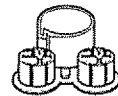
ATTACHMENTS



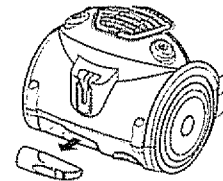
Dusting Brush



Upholstery Nozzle



Accessory Holder



Crevice Tool

SPECIFICATIONS

- POWER SOURCE : ON RATING PLATE
- POWER CONTROL :
MAIN: ON/OFF
- CAPACITY : 1.5 L
- CORD LENGTH: 17ft
- HOSE LENGTH : 6ft
- NET WEIGHT: 9.5 lb

• ATTACHMENTS

HOSE ASS'Y	1EA
TELESCOPIC WAND	1EA
RUG/FLOOR NOZZLE	1EA
CREVICE TOOL (ON BOARD)	1EA
DUSTING BRUSH	1EA
UPHOLSTERY NOZZLE	1EA

- PACKING WEIGHT: 13.5 lb
- NET DIMENSION : 10.8x15.0x8.7 (W x D x H) inch
- PACKING DIMENSION : 13x19.5x11.4(WxDxH) inch
- This specifications are subject to change according to the buyer's request.

4. DISASSEMBLY

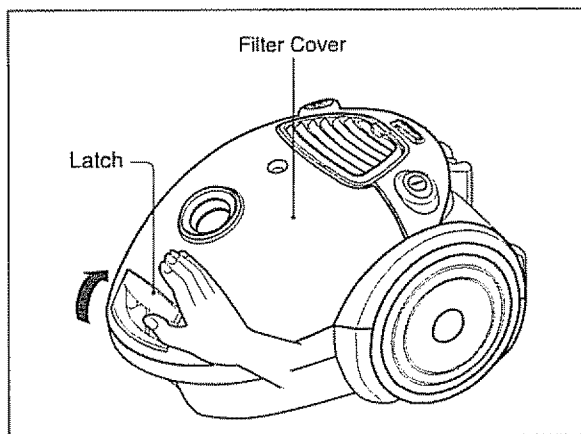
MODEL 721 26082B

NOTE: Before attempting to service or adjust any part of the vacuum cleaner, disconnect the electrical power supply cord from the wall outlet.

- Almost all of the parts of this vacuum cleaner can be disassembled with a screw driver and each connecting component easily fits each other. Disassemble one by one referring to the exploded view.
- If possible, don't disassemble except for the necessary parts. It is not necessary to disassemble the parts that are not detailed in the exploded view.

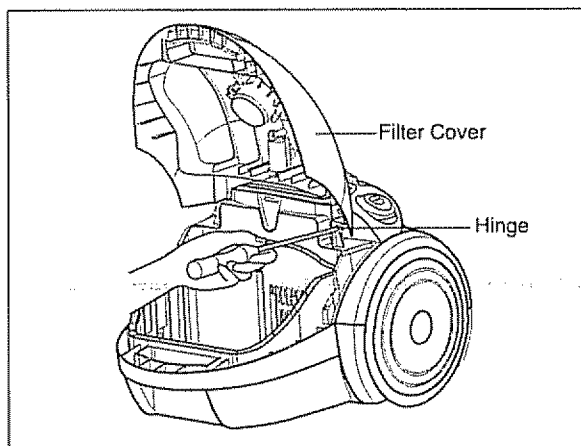
4.1 Filter Cover Assembly Replacement

- 1) Open filter cover by pushing cover latch.



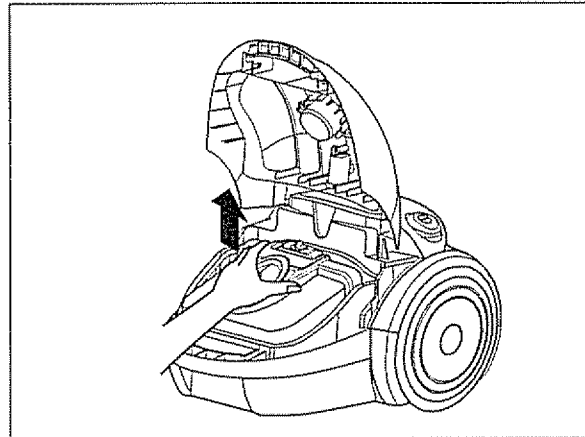
- 2) First, lift the filter cover

- Push the hinge side by inserting flat screw driver in gap between hinge and filter cover. Then the "filter cover" will be detached.

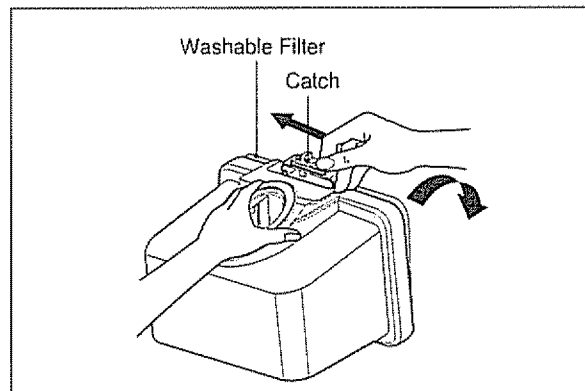


4.2 Dust Bin Replacement

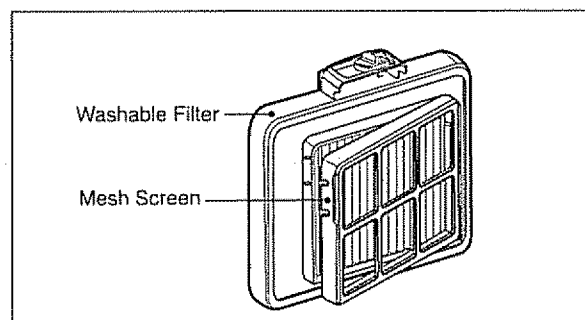
- 1) Pull the dust bin up.



- 2) Hold the handle of the washable filter and pull it out of the dust bin.

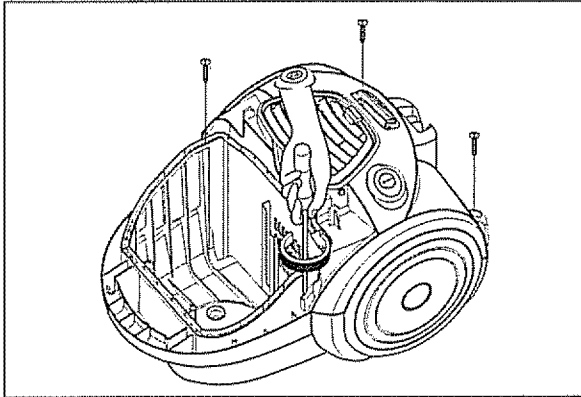


- 3) Pull the mesh screen down from the washable filter.

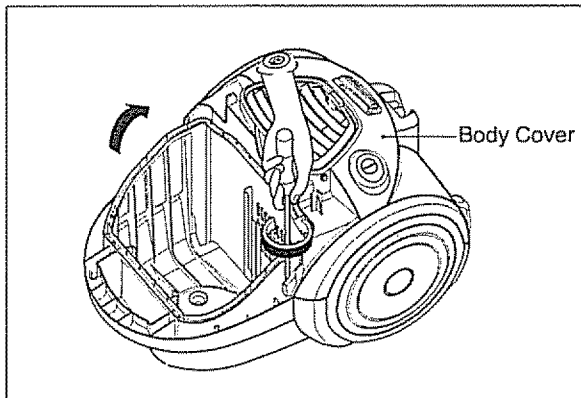


4.3 Body Cover Assembly Replacement

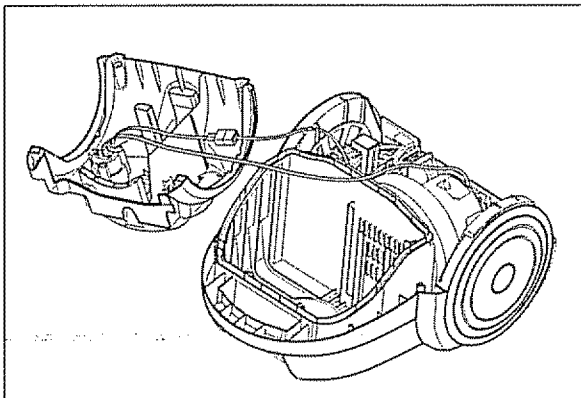
- 1) Remove the four screws fastening the body base.



- 2) Lift body cover in the direction of the arrow.

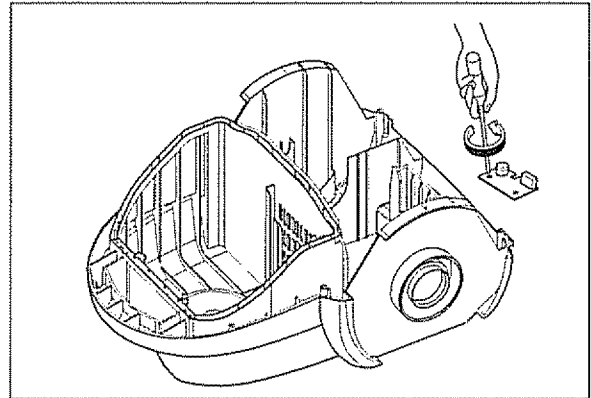


- 3) Strip off the lead wires from the motor & cord reel.



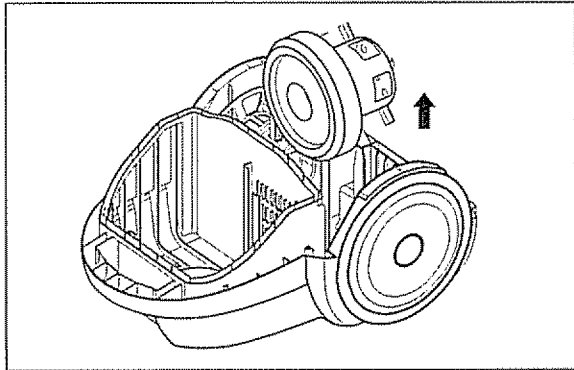
4.4 P.W.B Assembly Replacement

- 1) Remove two screws by unfastening from P.W.B on the body base, and then lift the P.W.B.



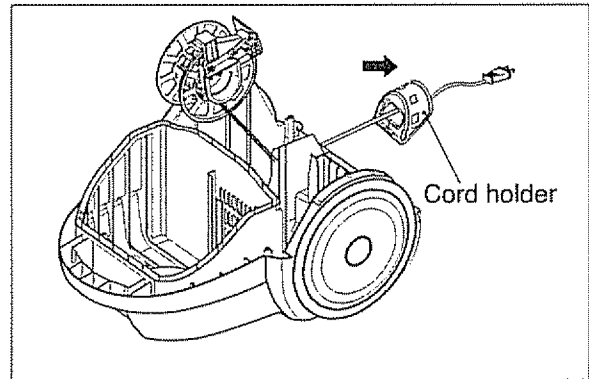
4.5 Motor Assembly Replacement.

- Lift the motor assembly in the direction of the arrow after stripping off the lead wires.

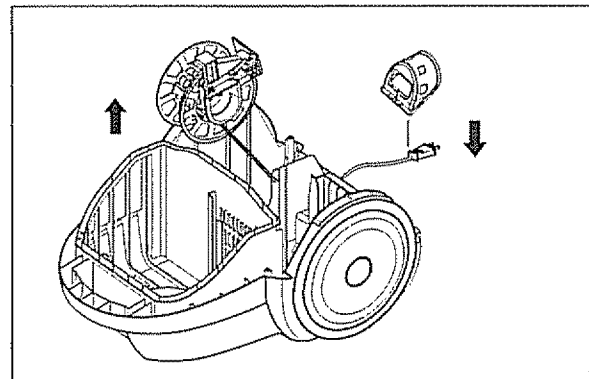


4.6 Cord Reel Assembly Replacement

- 1) Must detach cord holder first.



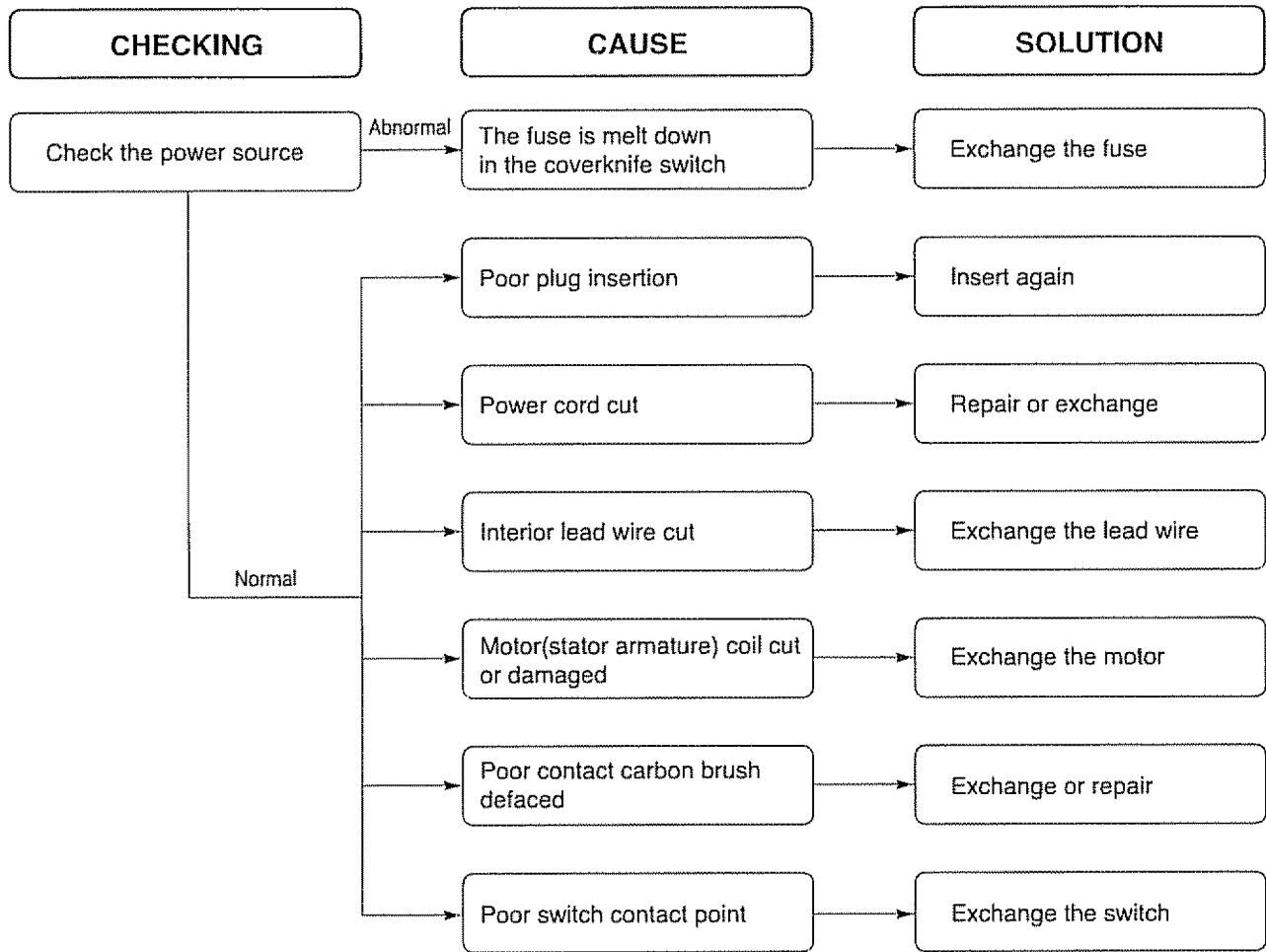
- 2) Lift the cord reel assembly from the body base in the direction of the arrow.



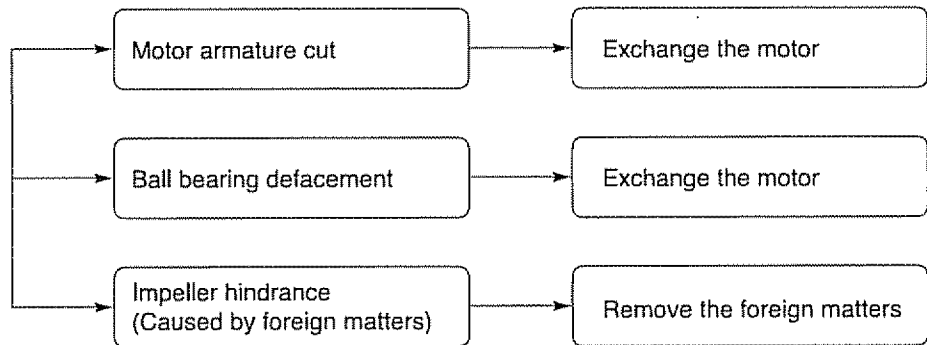
5. TROUBLE SHOOTING

MODEL 721 26082B

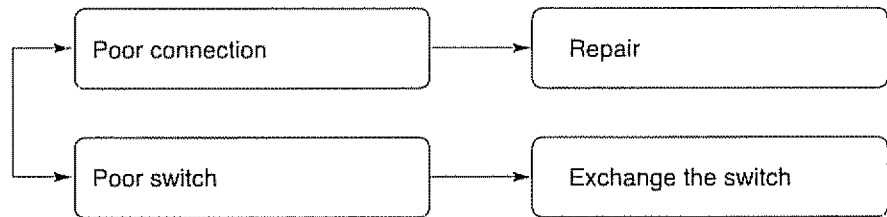
1) SWITCH ON BUT MOTOR DOES NOT RUN.



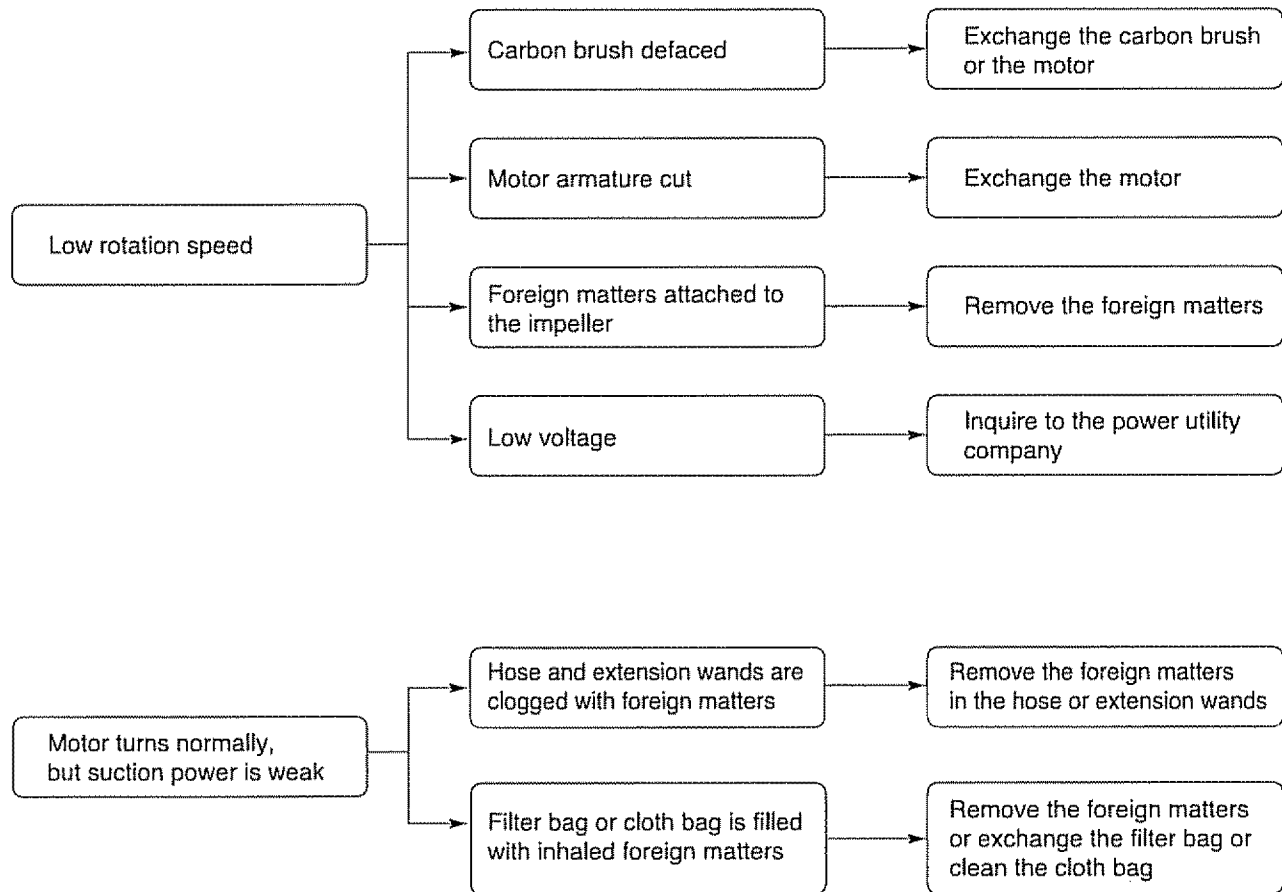
2) SWITCH ON, MOTOR DOES NOT RUN BUT BUZZES.



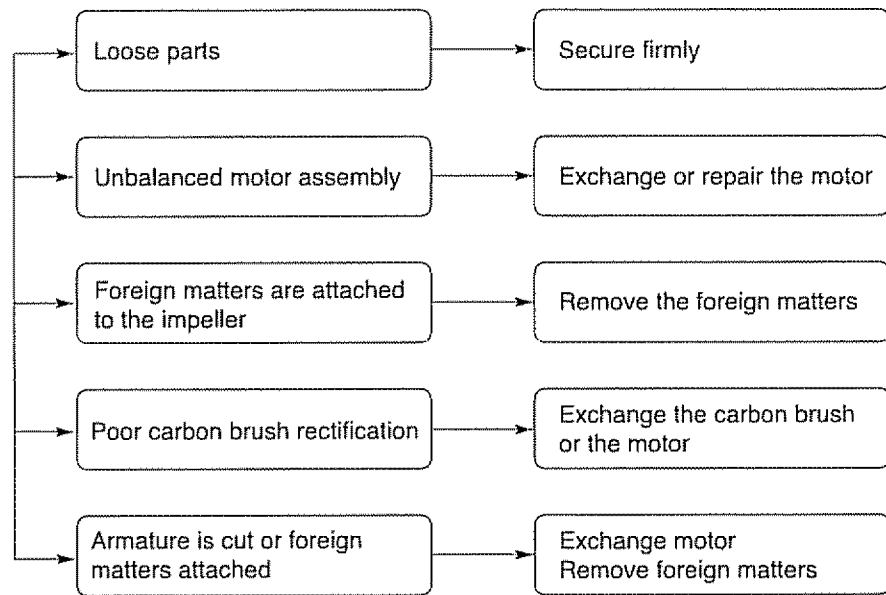
3) SWITCH OFF BUT MOTOR RUNS.



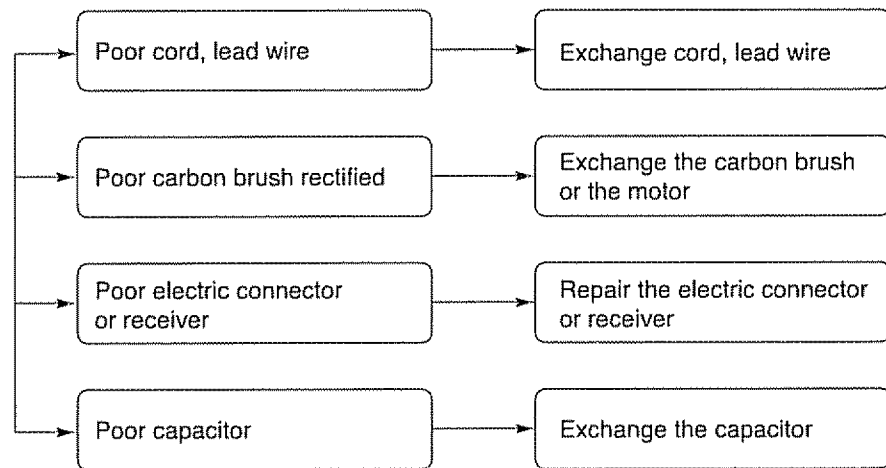
4) WEAK SUCTION POWER



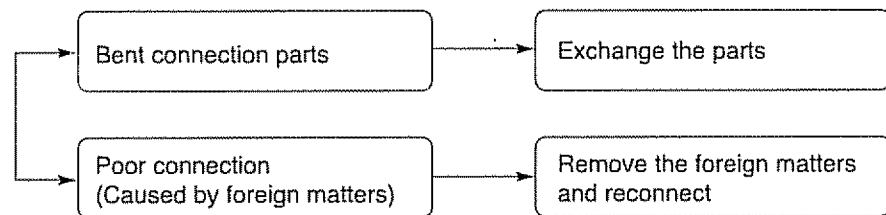
5) VIBRATION NOISES



6) RADIO, TV RECEPTION DISTURBANCE



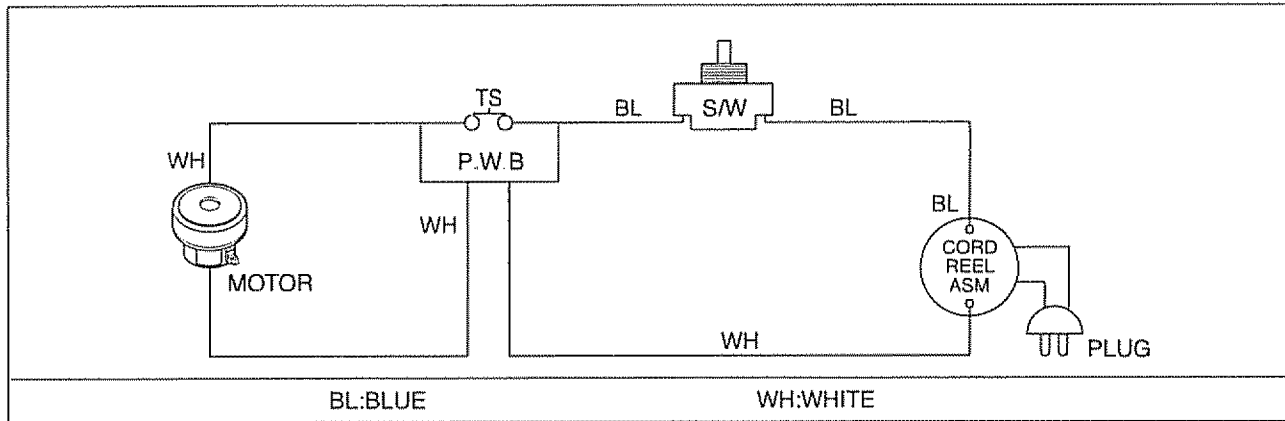
7) IMPROPER TUBE OR NOZZLE CONNECTION



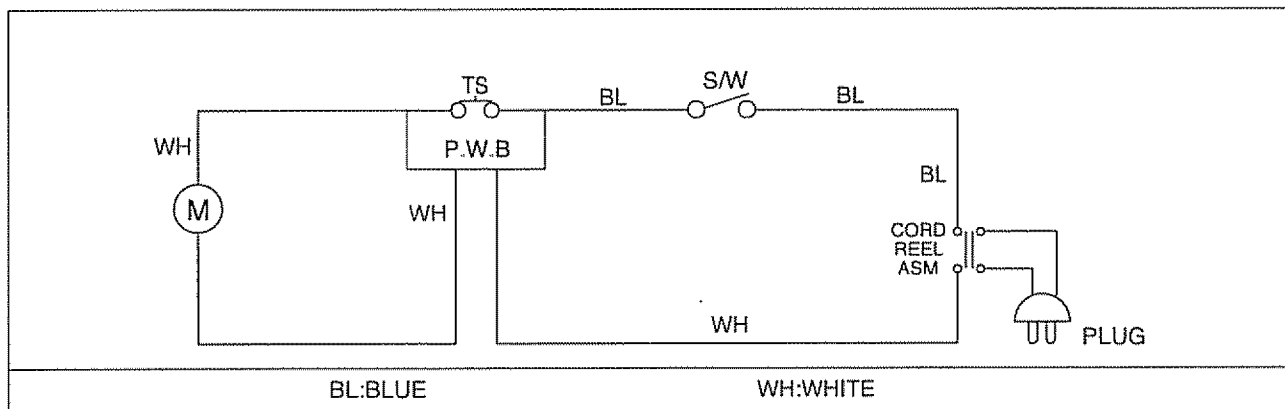
6. BLOCK DIAGRAM/SCHEMATIC DIAGRAM/CIRCUIT DIAGRAM

MODEL 721.26082B

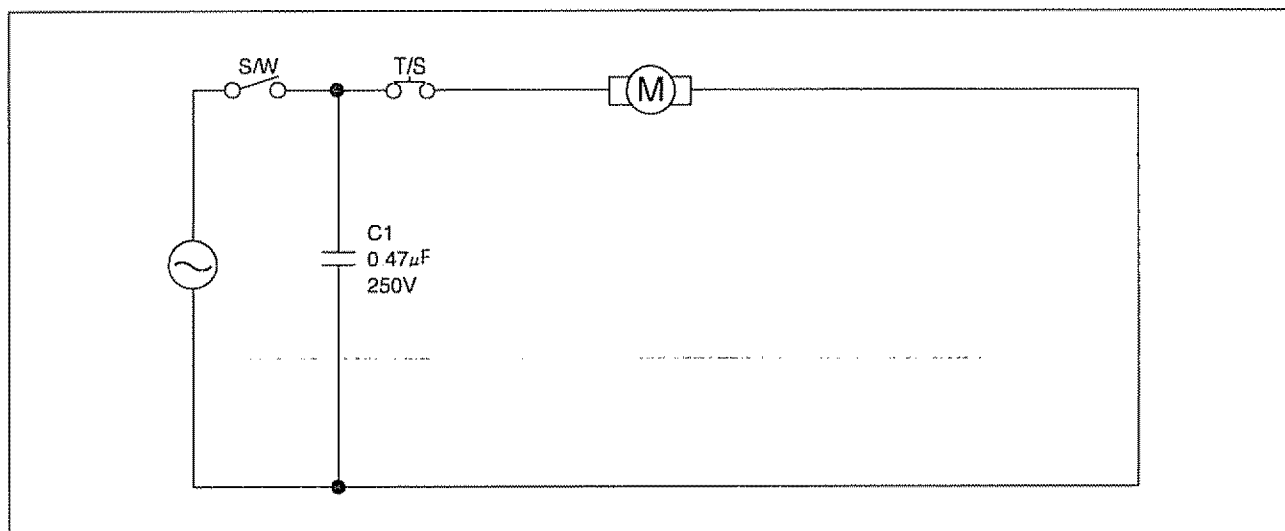
6.1 MODEL 721.26082B BLOCK DIAGRAM



SCHEMATIC DIAGRAM



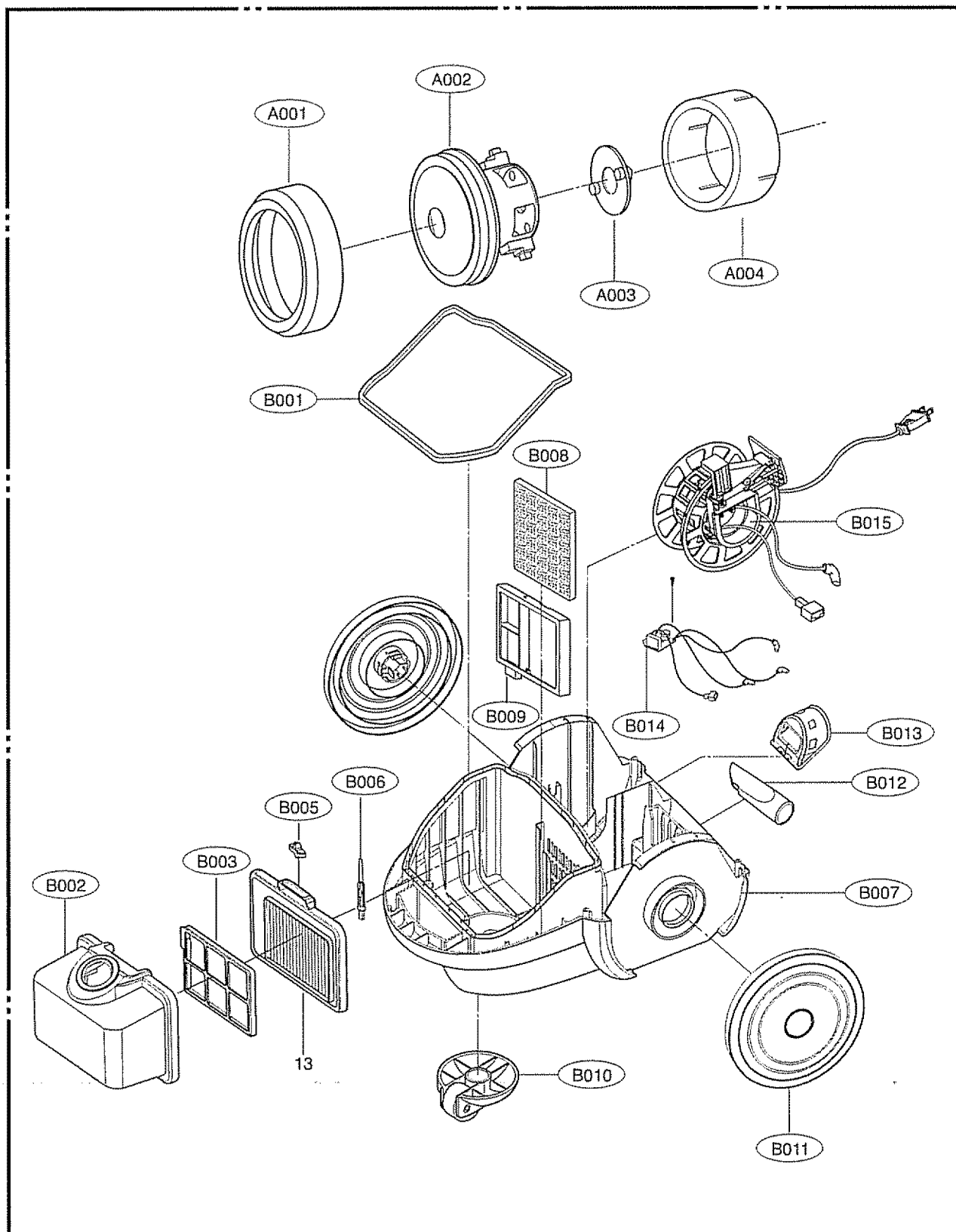
PRINTED CIRCUIT DIAGRAM



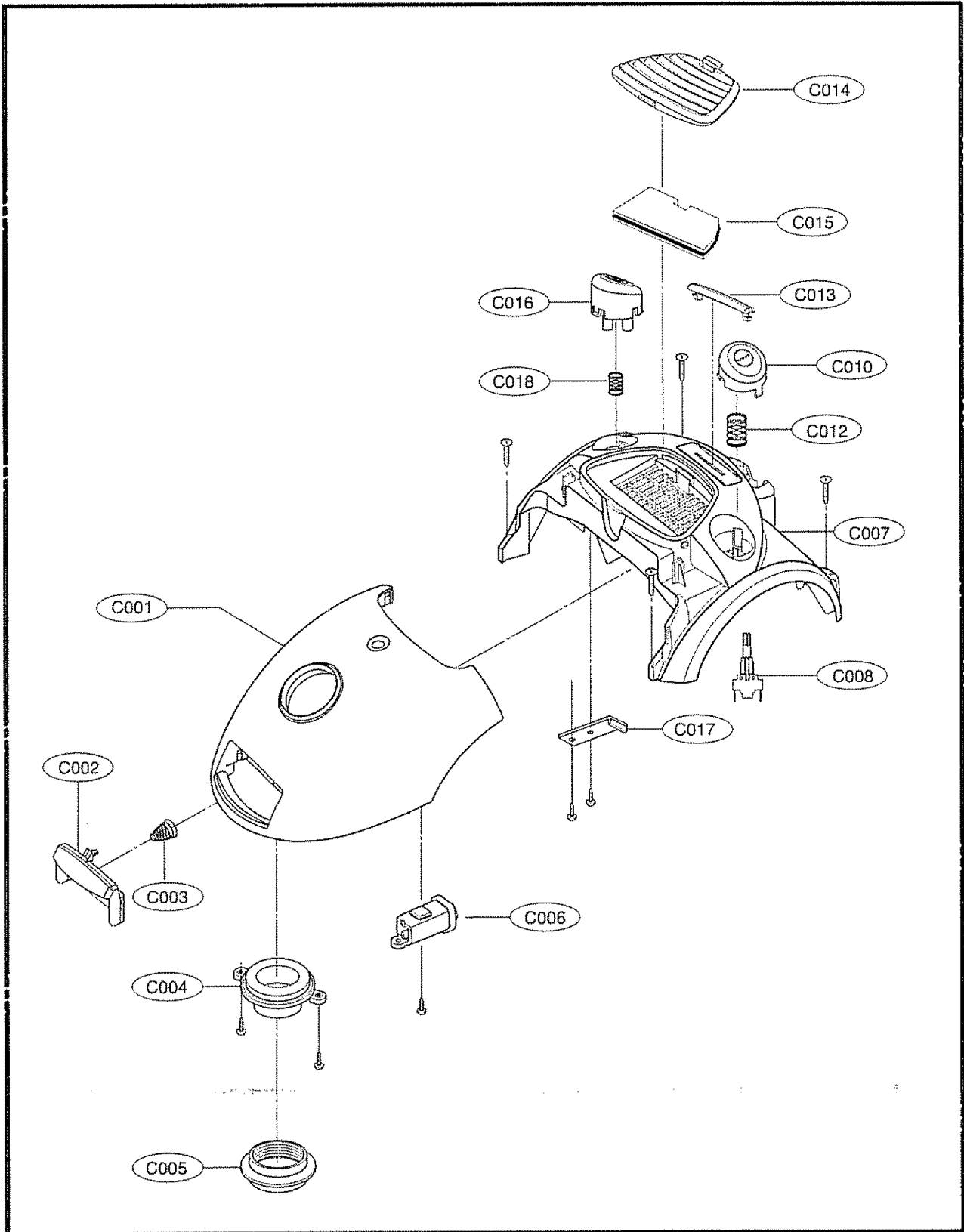
7. EXPLODED VIEW/REPLACEMENT PARTS LIST

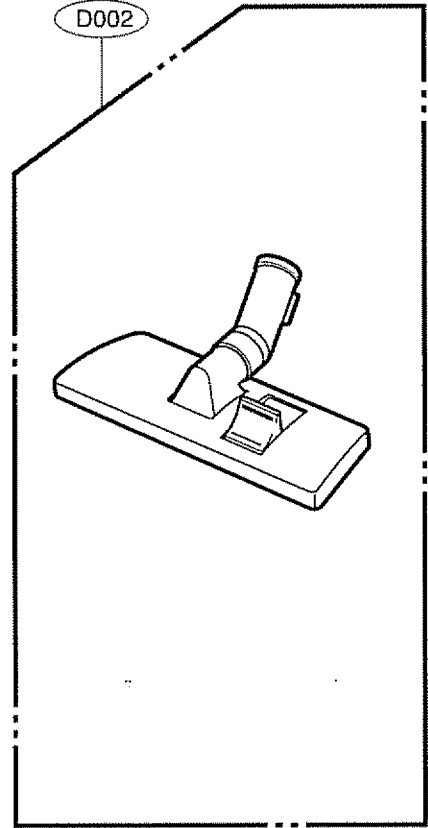
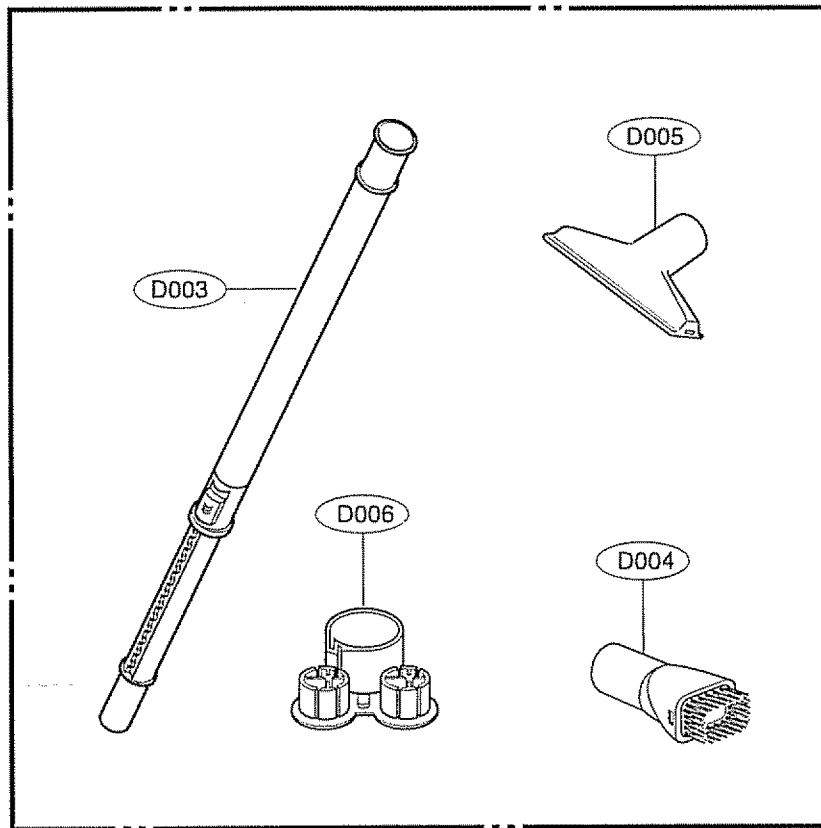
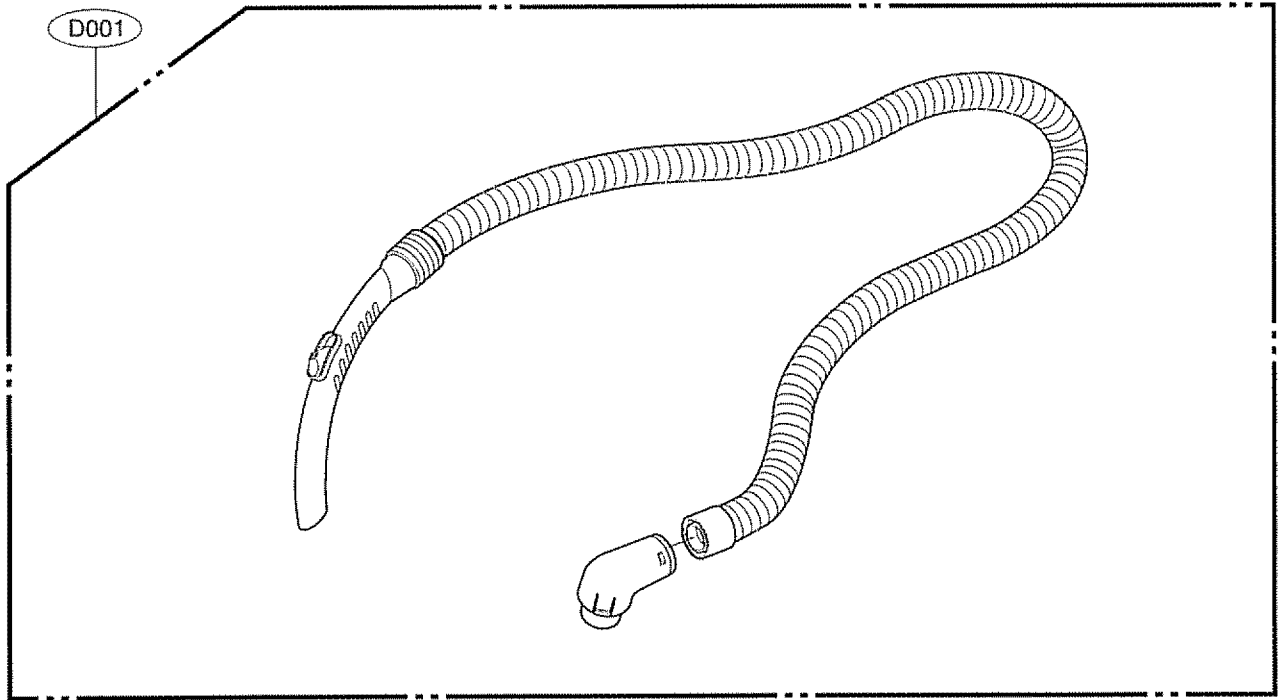
MODEL 721.26082B

7.1 MODEL 721.26082B



COVER ASSEMBLY, BODY





REPLACEMENT PARTS LIST

MODEL 721 26082B

LOCATION NO	PART NO.	DESCRIPTION	REMARKS
A001	3920FI3766A	MOTOR MOUNT PACKING	
A002	4681FI2473A	MOTOR ZHONGXIN	PA120-14
A003	3920FI4653B	SEAL PACKING	
A004	4I23008B	ABSORBING PACKING	
B001	3920FI4718W	DUST SEAL PACKING	
B002	4838FI1430A	DUST BIN	
B003	4980FI1447B	MESH SCREEN	
B004	3210FI1021A	WASHABLE FILTER	
B005	4510FI3641B	CATCH	
B006	5203FI3766A	BRUSH	
B007	3040FI1523D	BODY BASE	SHADOW GRAY
B008	5230FI3770B	MOTOR SAFETY FILTER	
B009	4980FI3805B	SUPPORTER	SHADOW GRAY
B010	4441FI3605Y	CASTER ASS'Y	SHADOW GRAY
B011	4660FI2428D	WHEEL	SHADOW GRAY
B012	3I21007T	CREVICE TOOL	SHADOW GRAY
B013	4930FI3823D	CORD HOLDER	SHADOW GRAY
B014	6871FX2168G	PWB ASS'Y ON/OFF TYPE	
B015	4687FI3002A	CORD REEL ASS'Y	
C001	3550FI1754Q	FILTER COVER	
C002	4026FI3689P	LATCH	
C003	4970FI4570A	LATCH SPRING	
C004	4350FI3778L	CONNECTOR RING	
C005	3920FI3734A	FILTER PACKING	
C006	3521FI3703R	INDICATOR ASS'Y	
C007	3550FI1753E	BODY COVER	SHADOW GRAY
C008	6601FI3149C	SWITCH	
C009	5020FI2359F	CORD REEL BUTTON	SHADOW GRAY
C010	5020FI2358F	CONTROL BUTTON	SHADOW GRAY
C011	4I70024A	CORD REEL BUTTON SPRING	
C012	4I70024A	CONTROL BUTTON SPRING	
C013	3550FI4674A	HOLE COVER	SHADOW GRAY
C014	3550FI2596D	EXHAUST FILTER COVER	SHADOW GRAY
C015	5230FI3783A	EXHAUST FILTER	
C016	MBG30132403	CORD REEL BUTTON	SHADOW GRAY
C017	4510FI2445A	LEVER CORD WINDING	
C018	4970FI4482S	CORD REEL BUTTON SPRING	
D001	5215FI1306P	HOSE ASS'Y	SHADOW GRAY
D002	5249FI2449R	RUG/FLOOR NOZZLE	SHADOW GRAY
D003	5063FI2350C	TELECOPIIC WAND	SHADOW GRAY
D004	5202FI3474B	DUSTING BRUSH	SHADOW GRAY
D005	5248FI2259C	UPHOLSTERY NOZZLE	SHADOW GRAY
D006	4930FI2457B	ACCESSORY HOLDER	SHADOW GRAY

Page 1 of 1

Downloaded from www.somanuals.com on 10/10/2014 at 10:10:10 AM. All rights reserved.

P/No.: 3828FI5888M

Free Manuals Download Website

<http://myh66.com>

<http://usermanuals.us>

<http://www.somanuals.com>

<http://www.4manuals.cc>

<http://www.manual-lib.com>

<http://www.404manual.com>

<http://www.luxmanual.com>

<http://aubethermostatmanual.com>

Golf course search by state

<http://golfingnear.com>

Email search by domain

<http://emailbydomain.com>

Auto manuals search

<http://auto.somanuals.com>

TV manuals search

<http://tv.somanuals.com>