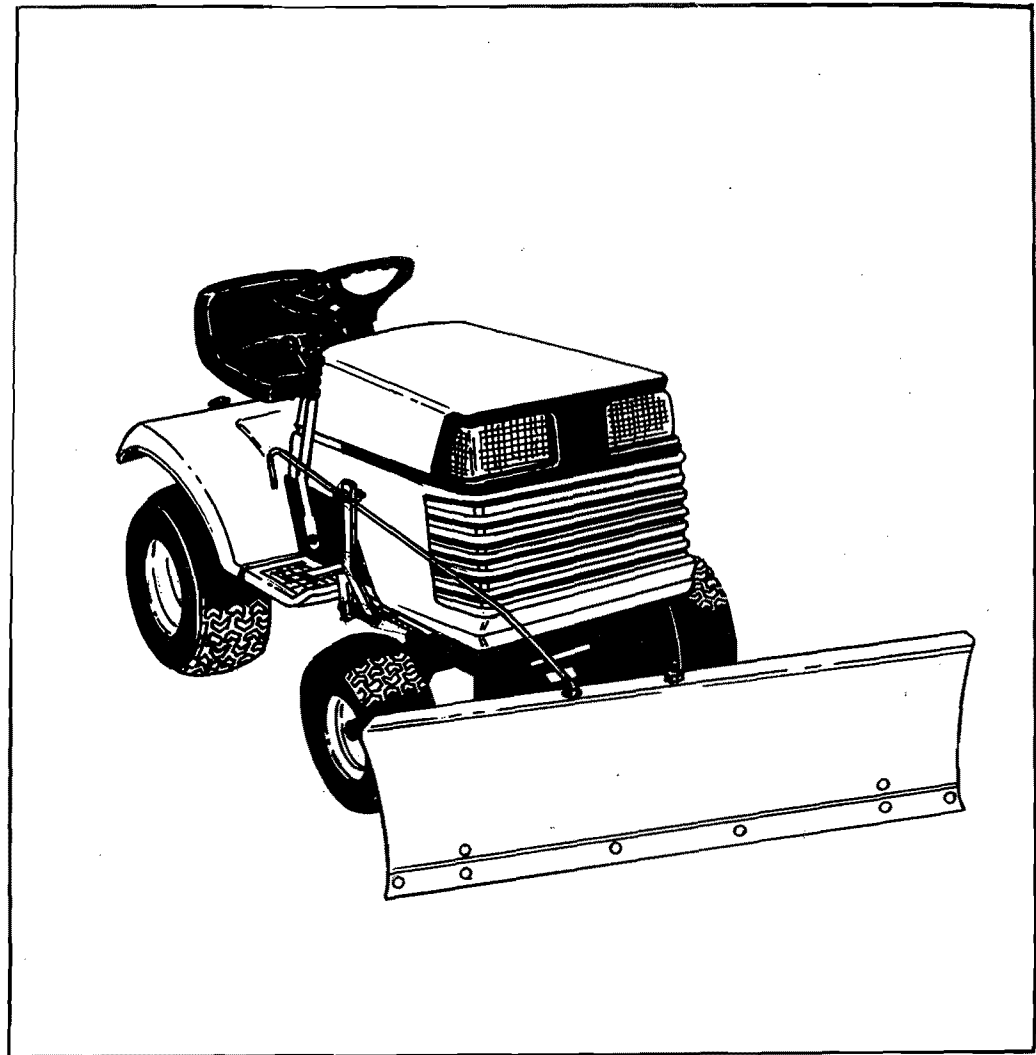


SEARS

**owners
manual**

Model No.
486.244062
42"
SNOW BLADE



42" SNOW BLADE

CAUTION:
Read Rules for
Safe Operation
and Instructions
Carefully

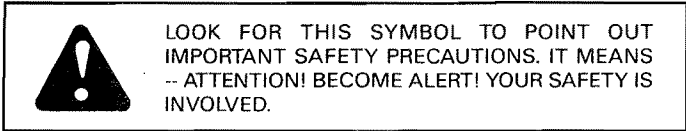
- **Assembly**
- **Operation**
- **Customer Responsibilities**
- **Repair Parts**

Sears, Roebuck and Co., Hoffman Estates, IL. 60179 U.S.A.

PRINTED IN U.S.A.

RULES FOR SAFE OPERATIONS

Any power equipment can cause injury if operated improperly or if the user does not understand how to operate the equipment.

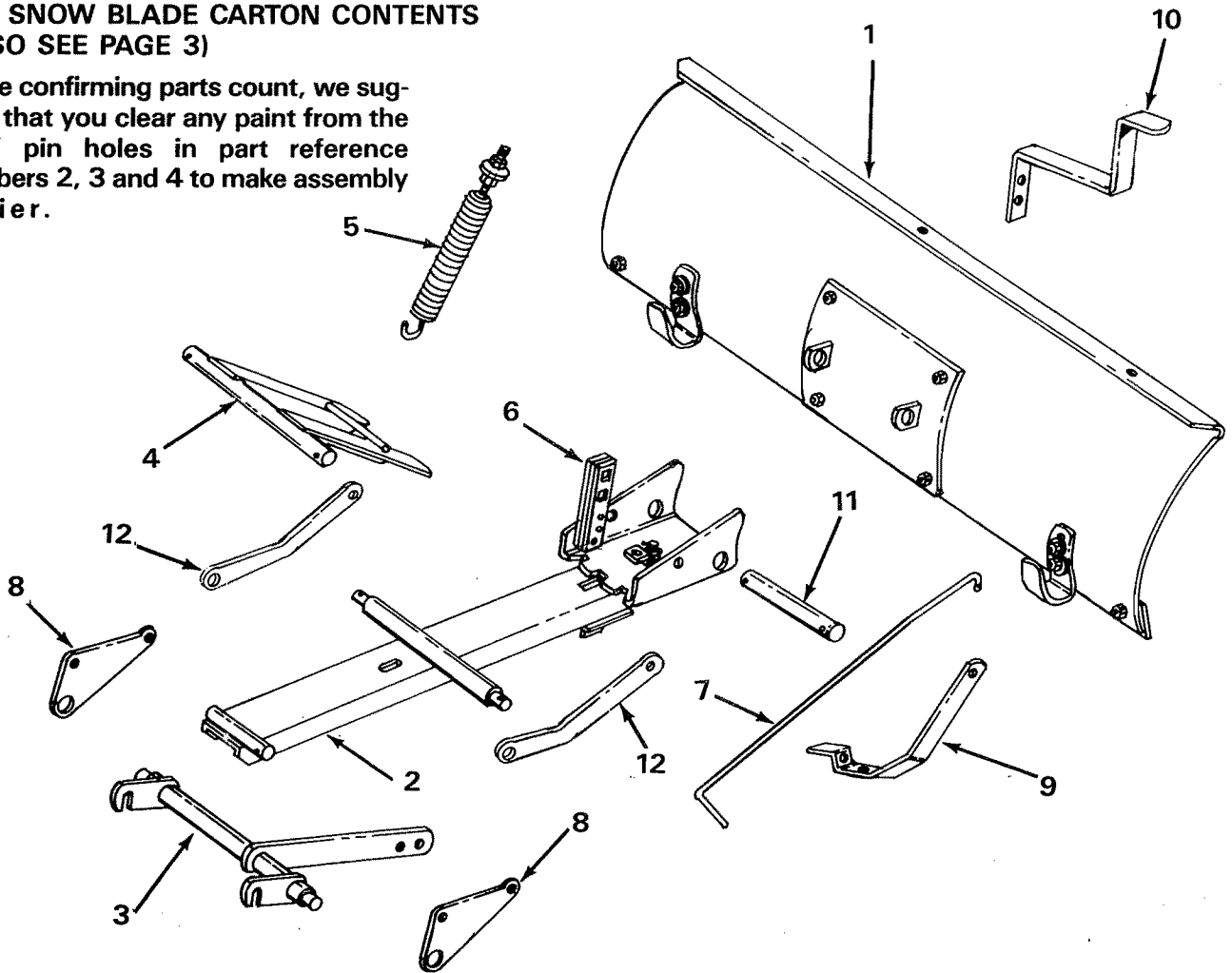


Exercise caution at all times, when using power equipment.

1. Read the tractor and snow blade owners manuals and know how to operate your tractor before using tractor with snow blade attachment.
2. Never operate tractor and snow blade without wearing proper clothing suited to weather conditions and operation of controls.
3. Never allow children to operate tractor and snow blade, and do not allow adults to operate without proper instructions.
4. Always begin with transmission in first (low) gear and gradually increase speed as required.

42" SNOW BLADE CARTON CONTENTS (ALSO SEE PAGE 3)

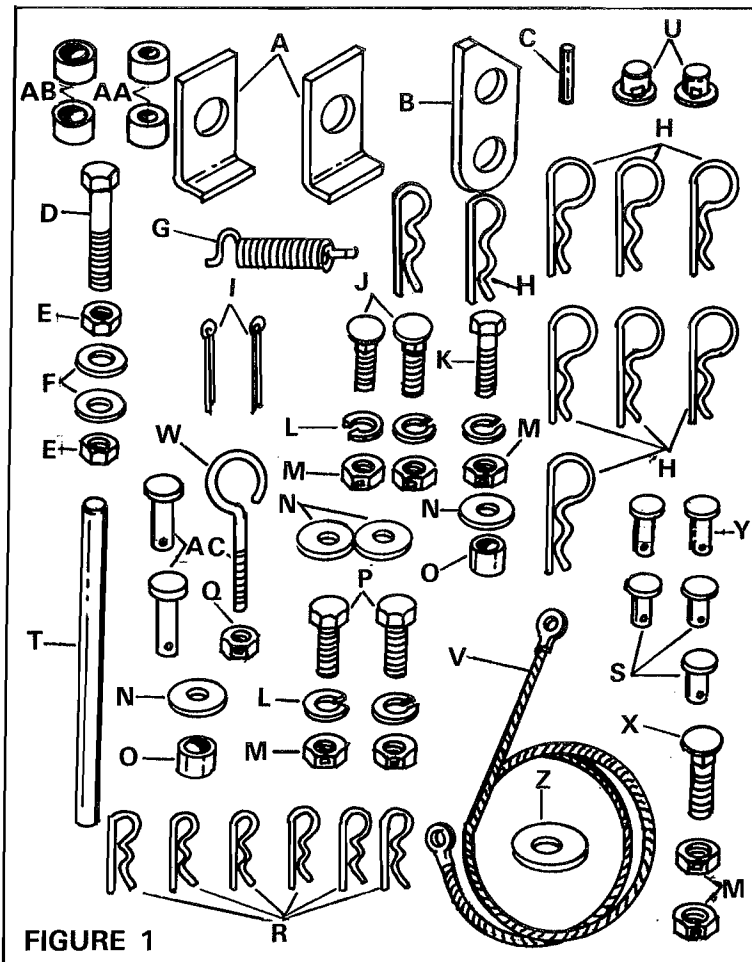
While confirming parts count, we suggest that you clear any paint from the 1/8" pin holes in part reference numbers 2, 3 and 4 to make assembly easier.



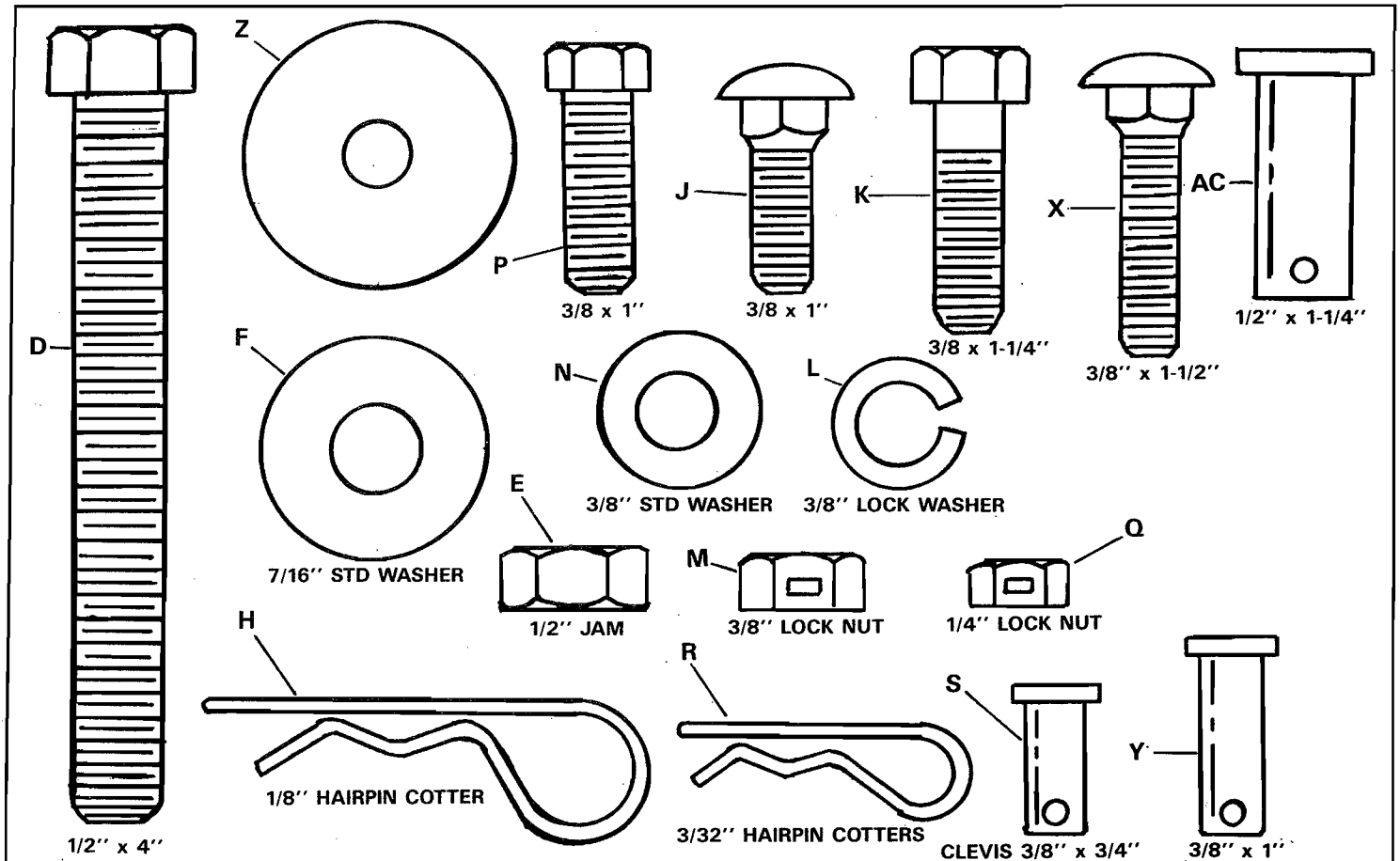
CARTON CONTENTS

REF.	QTY.	DESCRIPTION	REF.	QTY.	DESCRIPTION
1	1	Blade Assembly	7	1	Blade Pivot Rod
2	1	Channel/Pivot Plate Assembly	8	1	Lift Pivot Plate
3	1	Lift Assembly	9	2	Support Bracket
4	1	Guide Bracket Assembly	10	1	Blade Lock Release Lever
5	1	Spring Assembly	11	1	Pivot Shaft
6	2	Angle Lock Bar	12	2	Hitch Brace
			1	1	Parts Package (Not Shown)

CONTENTS OF HARDWARE PACK: (Figure 1)



REF.	QTY.	DESCRIPTION
A	2	Keeper Plate
B	1	Lift Arm Link
C	1	Spring Pin 1/4 x 1"
D	1	Hex Bolt 1/2-13 x 4"
E	2	Hex Jam Nut 1/2-13 Thread
F	2	Flat Washer 7/16" Std.
G	1	Angle Lock Spring
H	9	Hairpin Cotter 1/8"
I	2	Cotter Pin 1/8 x 1-1/4"
J	2	Carriage Bolt 3/8-16 x 1"
K	1	Hex Bolt 3/8-16 x 1-1/4"
L	5	Lock Washer 3/8
M	7	Hex Lock Nut 3/8-16 Thread
N	4	Flat Washer 3/8 Std.
O	2	Pivot Bushing
P	2	Hex Bolt 3/8-16 x 1"
Q	1	Hex Lock Nut 1/4-20 Thread
R	6	Hairpin Cotter 3/32"
S	3	Clevis Pin 3/8 x 3/4"
T	1	Spring Mount Rod
U	2	Palnut, 3/8"
V	1	Blade Lock Release Cable
W	1	Eye Bolt 1/4"
X	1	Carriage Bolt 3/8-16 x 1-1/2"
Y	2	Clevis Pin 3/8 x 1"
Z	1	Washer, 1-1/2" OD
AA	2	Spacer 1" OD
AB	2	Spacer, 1-1/4" OD
AC	2	Clevis Pin 1/2 x 1-1/4"



FULL SIZE HARDWARE REFERENCE CHART

ASSEMBLY INSTRUCTIONS

TOOLS REQUIRED FOR ASSEMBLY

- (1) Pliers
- (1) Hammer
- (1) 7/16" Open End or Box Wrench
- (1) 1/2" Open End or Box Wrench
- (1) 9/16" Open End or Box Wrench
- (1) 3/4" Open End or Box Wrench
- (1) Adjustable Wrench

Refer to carton contents figure on page 2 and figure 1 on page 3 for parts and hardware needed to assemble snow blade.



RIGHT HAND (R.H.) AND LEFT HAND (L.H.) ARE DETERMINED FROM OPERATOR'S POSITION WHILE SEATED ON TRACTOR.

1. Assemble the two angle lock bars together as shown in figure 2, using one 3/8" x 1" carriage bolt, 3/8" lock washer and 3/8" hex nut. Do not tighten at this time.

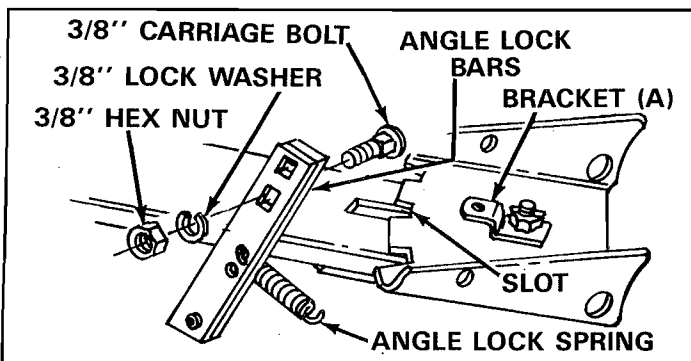


FIGURE 2

2. Assemble angle lock spring through angle lock bars positioning end hook as shown. See figures 2 and 3.
3. Assemble hook of angle lock spring into hole of bracket (A). Pull lock bars up to extend spring just enough to allow assembly of angle lock bars down through slot in pivot bracket and channel. See figure 2 and 3.

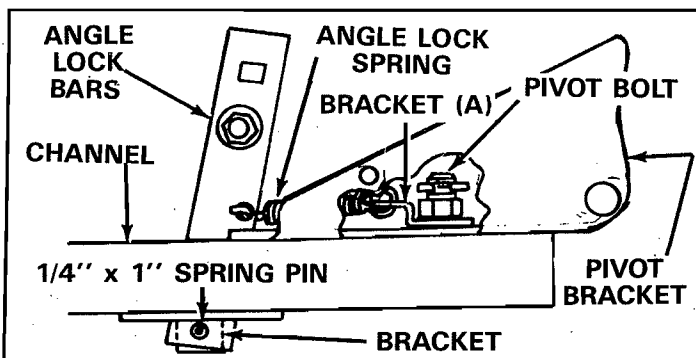


FIGURE 3

4. Using a hammer drive 1/4" x 1" spring pin through slot in bracket and hole in end of lock bars until flush with bracket. See figure 3. **Tighten 3/8" hex nut left loose in step 1.**
5. Using a hammer drive a 3/8" palnut onto one end of spring mount rod. Insert the other end of the spring mount rod through both small holes in the pivot plate. Support end (with palnut) of the spring mount rod with a block of wood and hammer on the remaining palnut. See figure 4.

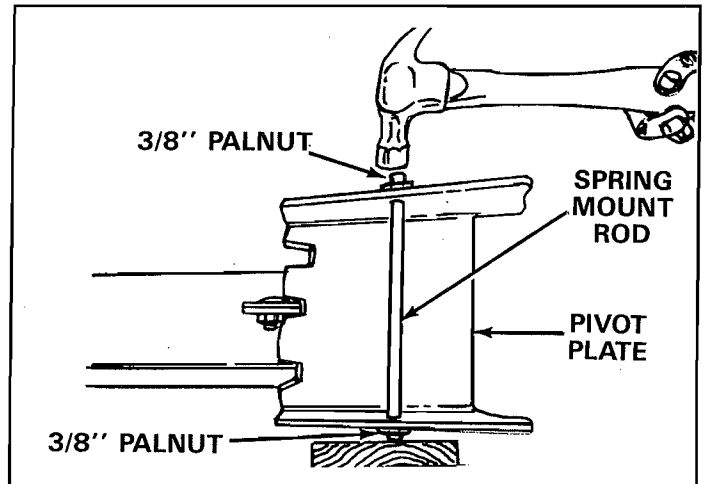


FIGURE 4

ASSEMBLY OF SNOW BLADE TO LAWN TRACTOR. (Tractor Preparation)

- A. Remove mower or any other attachment you may have mounted to your tractor. Mark all loose parts and save for re-assembly. Refer to owners manual for removal of mower/attachment.
- B. The mower suspension arms (R.H. and L.H.) must be removed to allow assembly of snow blade. Also remove and save the 3/8" bolts and lock nuts from each side of tractor frame as shown in figure 5. Remove the belt guide and hardware from right hand side of tractor frame. Save for use when re-attaching the deck next season. See figure 5.

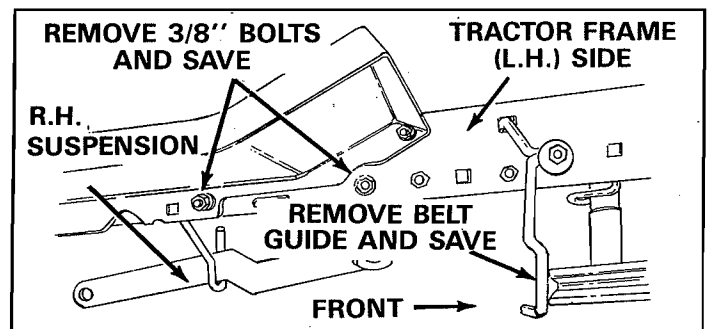


FIGURE 5

1. Assemble one 1/2" x 4" hex bolt, one 1/2" hex nut and one 7/16" standard washer into top of slotted hole in channel assembly. Assemble one 7/16" standard washer and one 7/16" hex nut on bottom of 1/2" bolt under channel assembly. See figure 6. **DO NOT TIGHTEN AT THIS TIME.**
2. Assemble channel assembly to hitch plates at front of tractor as shown in figures 6 and 7.

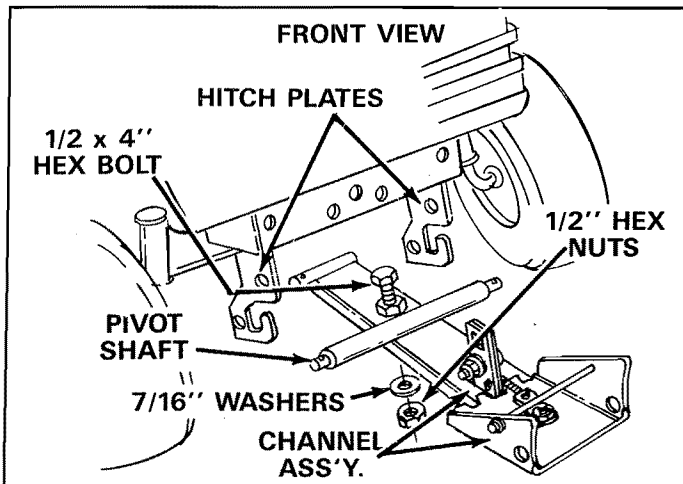


FIGURE 6

3. Assemble keeper plates over each end of pivot shaft with lip under hitch plates (see figure 7) and secure with two 1/8" (large) hairpin cotters through small holes near each end of shaft.

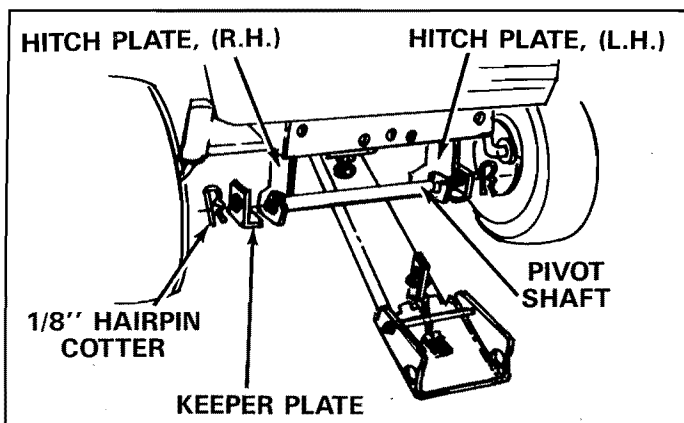


FIGURE 7

4. Adjust 1/2" x 4" stop bolt, previously assembled into channel assembly (step 1). See figure 8. Adjust hex nuts, above and below channel to provide approximately 1/8" clearance between channel and the tractor engine pulley with the stop bolt positioned against frame member. See figure 8.



NOTE
The stop bolt must be tightened in place before assembling blade assembly to channel.

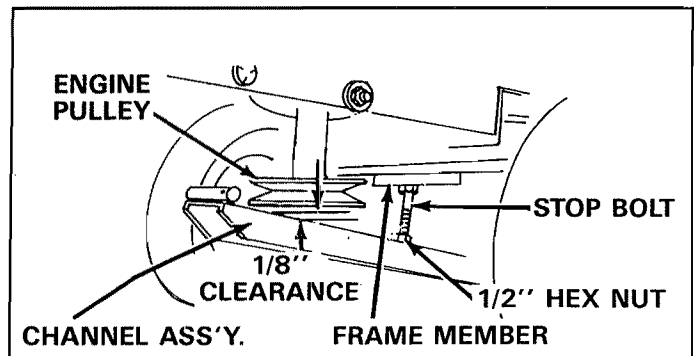


FIGURE 8

5. Assemble blade assembly to channel assembly by aligning holes in pivot plate with holes in reinforcement plate and inserting pivot shaft. See figure 9. Secure by assembling two 1/8" x 1-1/4" cotter pins into small holes near ends of pivot shaft. Spread ends to retain.



NOTE
Blade shoes are factory assembled to blade assembly in lower setting. See adjustments step "C" page 10 for repositioning.

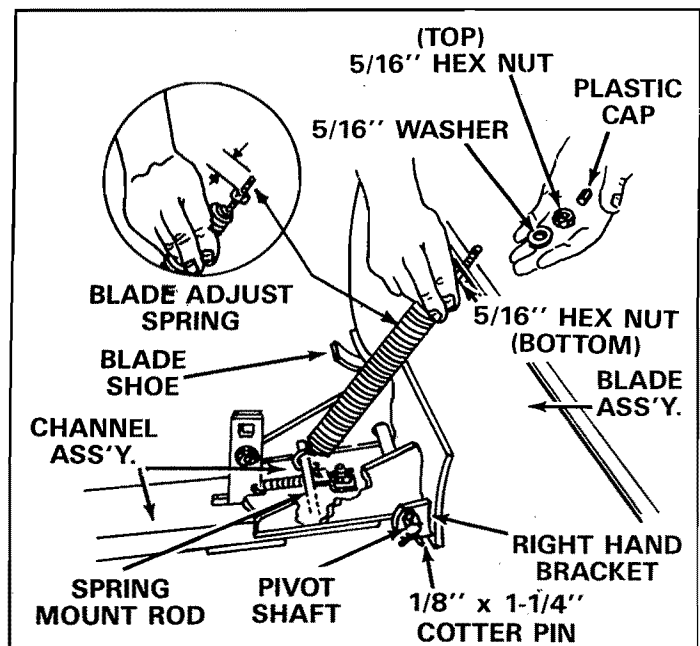


FIGURE 9

6. To assemble blade adjust spring, remove plastic cap, 5/16" flat washer and one 5/16" hex nut. Adjust the remaining 5/16" hex nut on the long bolt to approximately one inch down from end of bolt threads. Assemble adjusting bolt through hole in top edge of blade and hold in place with 5/16" flat washer and 5/16" hex nut removed earlier. **Do not tighten 5/16" hex nut at this time.** Push down on the spring and hook end of spring over spring mount rod as shown in figure 9. Tighten 5/16" hex nut on top edge of blade down against the bottom 5/16" hex nut. Replace plastic cap over end of adjusting bolt threads. See figure 9.

- Assemble one lift pivot plate under left hand foot rest and outside of frame. Secure front of lift pivot plate with one 3/8" x 1" clevis pin, 3/8" flat washer and 3/32" (small) hairpin cotter. Secure rear of lift pivot plate with one 3/8" x 3/4" clevis pin and one 3/32" (small) hairpin cotter. **DO NOT ASSEMBLE LIFT PIVOT PLATE UNDER THE RIGHT HAND FOOT REST AT THIS TIME.**

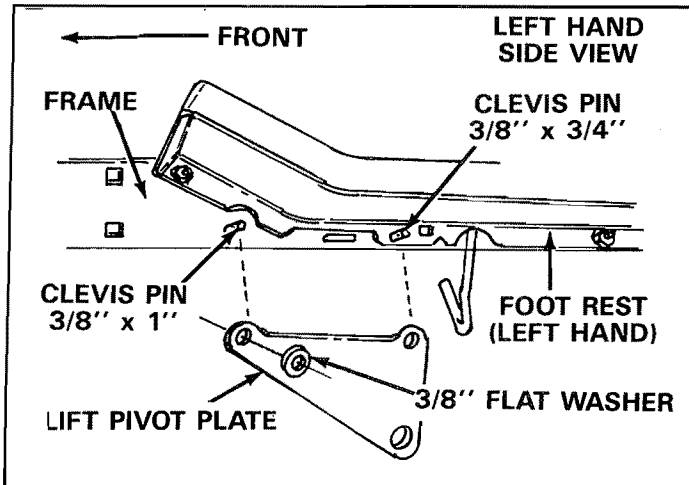


FIGURE 10

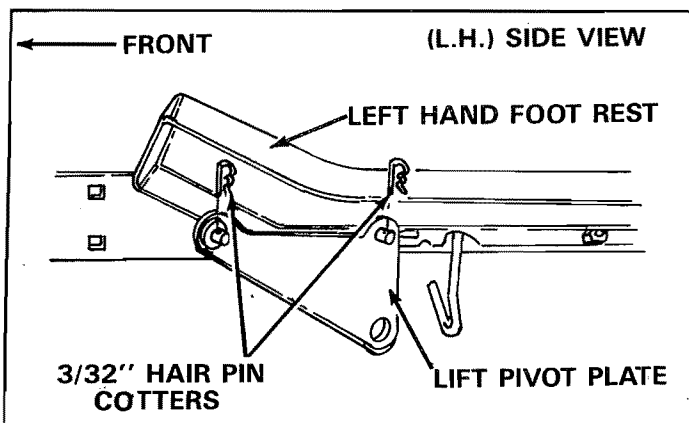


FIGURE 11

- Pre-assemble lift arm link to **inside** of long arm on lift assembly. As shown in figure 12.

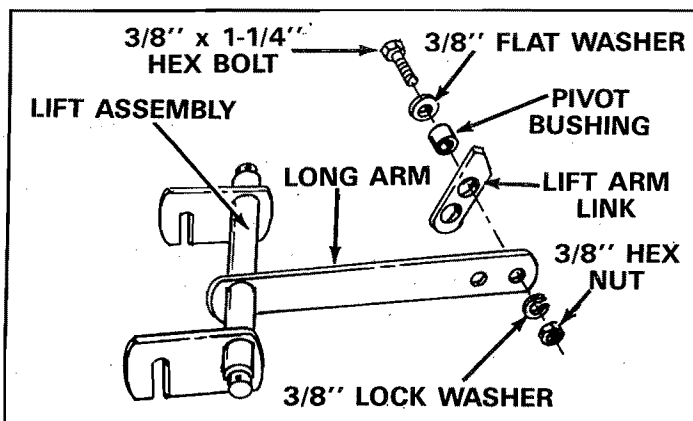


FIGURE 12

- Assemble one 3/8" x 1-1/4" hex bolt through 3/8" flat washer, through pivot bushing, through large hole in lift arm link near angle end and through hole in long arm nearest the end. Secure with one 3/8" lock washer and one 3/8" hex nut. See figure 12. **NOTE: Lift arm link must pivot freely.**



Lift arm link must be positioned as shown in figures 12 and 13.

- Assemble one 3/8" x 1" hex bolt through second hole from end of long arm. Secure with one 3/8" lock washer and one 3/8" hex nut. This bolt is used as a limit stop for the lift arm link. See figure 13.
- Move attachment lift lever all the way forward and lock in position. See figure 20, page 9.
- Hook lift assembly arms over both link rods, assemble lift arm link over channel rod and secure with one 1/8" (large) hairpin cotter. See figure 13.
- Assemble one hitch brace (end with the large hole), one 1-1/4" OD spacer onto each end of the lift assembly pivot shaft. See figure 14.
- Insert pivot shaft end (from R.H. side of tractor) into hole in L.H. lift pivot mount plate. See figure 14.

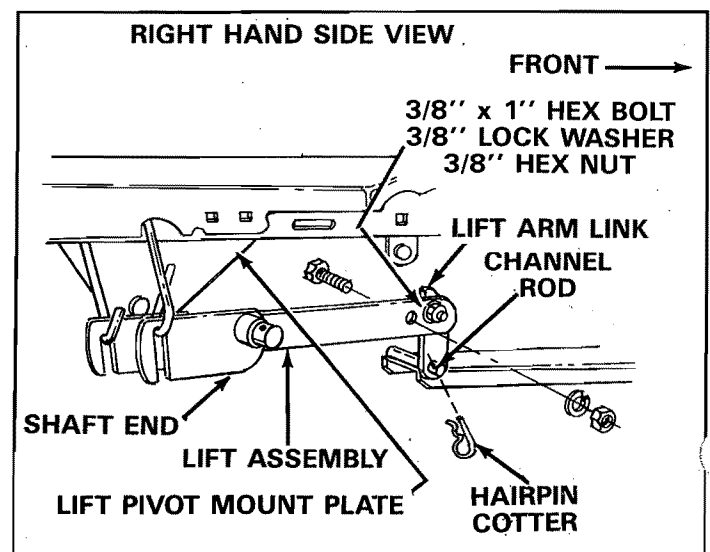


FIGURE 13

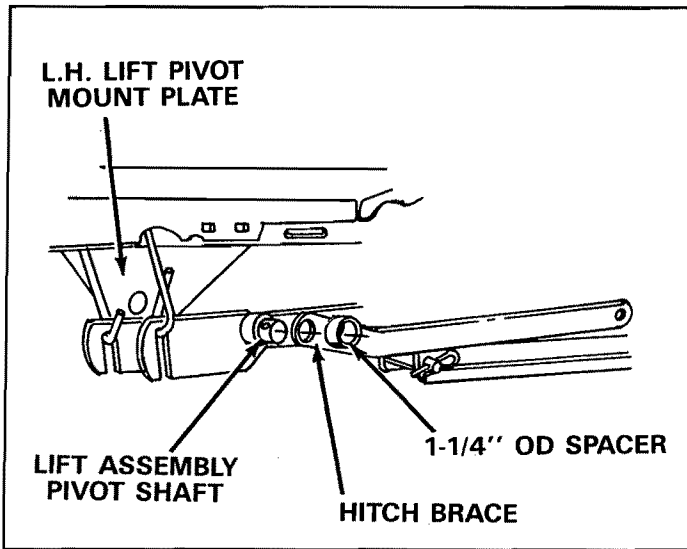


FIGURE 14

15. Assemble the other lift pivot plate, over right hand end of lift assembly pivot shaft and connect to outside of frame (see figure 15) using one 3/8" x 1" clevis pin from inside through front hole in lift pivot plate. Secure with 3/8" flat washer and 3/32" (small) hairpin cotter. Secure rear of plate with one 3/8" x 3/4" clevis pin and one 3/32" (small) hairpin cotter. Secure ends of pivot shaft to each lift pivot plate with 1/8" (large) hairpin cotter. See figures 14 and 15.

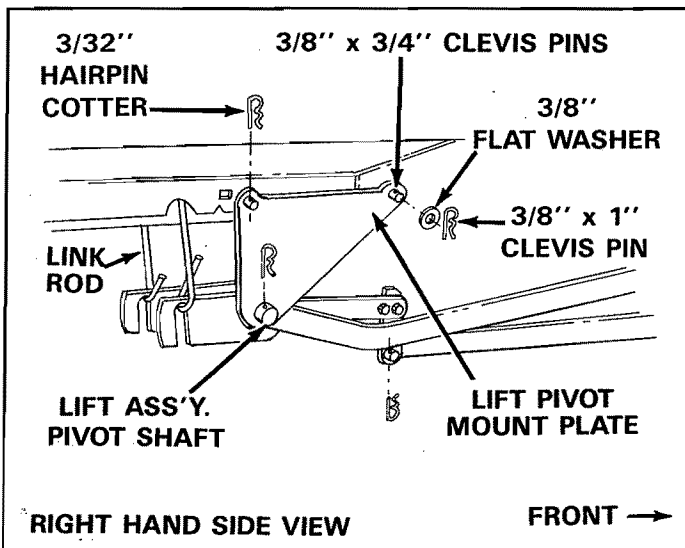


FIGURE 15

16. Assemble the front end of each hitch brace to the rear hole in each hitch plate using one 1/2" x 1-1/4" clevis pin, one 1" OD spacer and one 1/8" hairpin cotter. See figure 16.

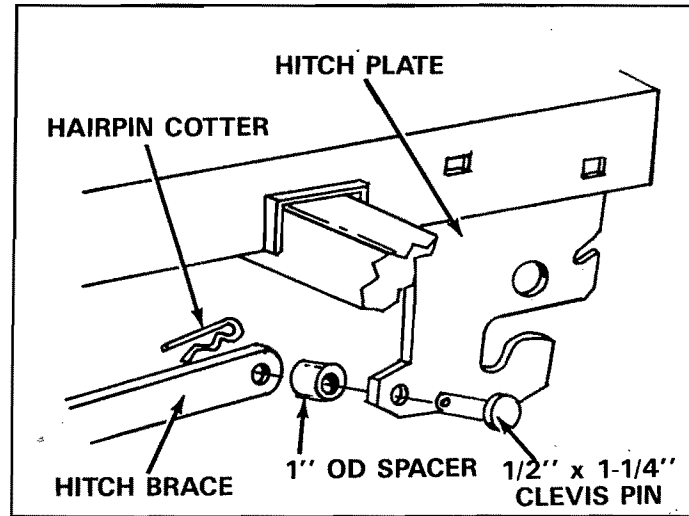


FIGURE 16

17. Assemble guide bracket assembly shaft end into the left hand hitch plate. See figure 17. Slide guide assembly back to the right and into hole of the right hand hitch plate. Secure with a 1/8" (large) hairpin cotter in each end. See figure 17. Lower front end of guide bracket assembly to straddle channel assembly.

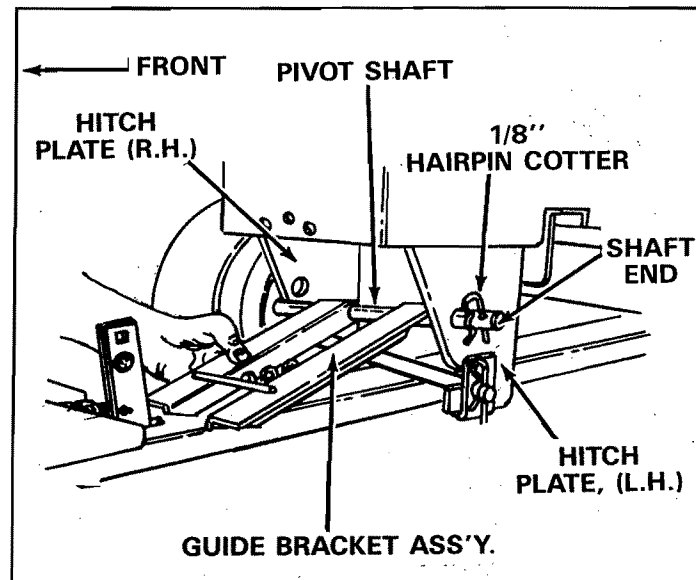


FIGURE 17

18. Raise hood and remove 3/8" carriage bolt and nut from right hand side of frame. See figure 18.

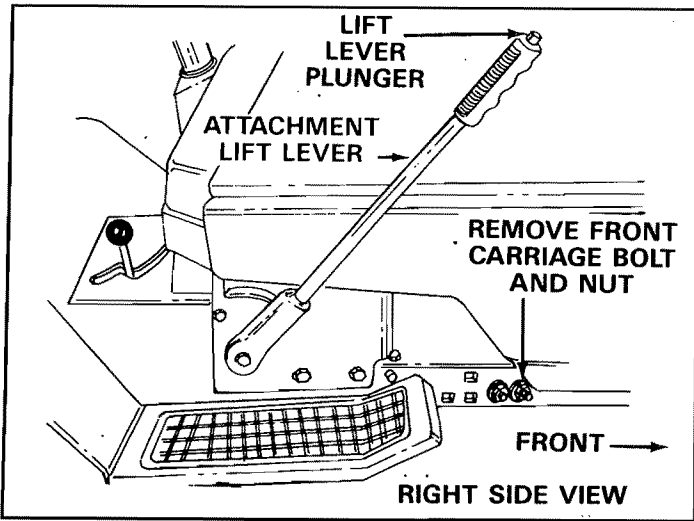


FIGURE 18

19. Assemble support bracket onto right hand side of tractor frame (where carriage bolt was removed in step 15) using 3/8" x 1" carriage bolt inside of frame and secure with 3/8" lock washer and 3/8" hex nut, on outside of frame. See figure 19.

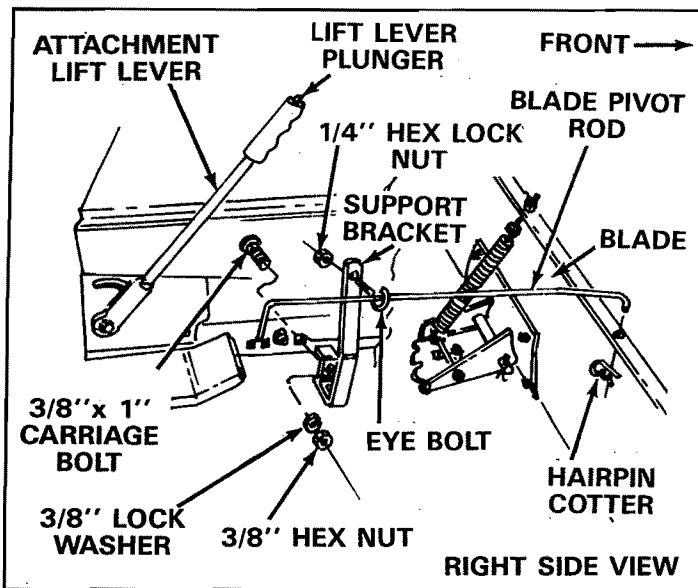


FIGURE 19

20. Assemble the 1/4" eye bolt at the top of the support bracket and secure with one 1/4" hex lock nut. See figure 19.
21. Assemble blade pivot rod through 1/4" eye bolt as shown in figure 19. Secure lower end of blade pivot rod through hole on right hand side of blade assembly with small hairpin cotter. See figure 19.
22. Assemble blade lock release lever to right side of tractor frame using one 1-1/2" O.D. washer, one 3/8" x 1" hex bolt, spacer, 3/8" flat washer and secure tightly with one 3/8" hex lock nut. See figure 20.

23. Secure one end of blade lock release cable to small hole in blade lock release lever using one 3/8" x 3/4" clevis pin and one 3/32" hairpin cotter. See figure 20.

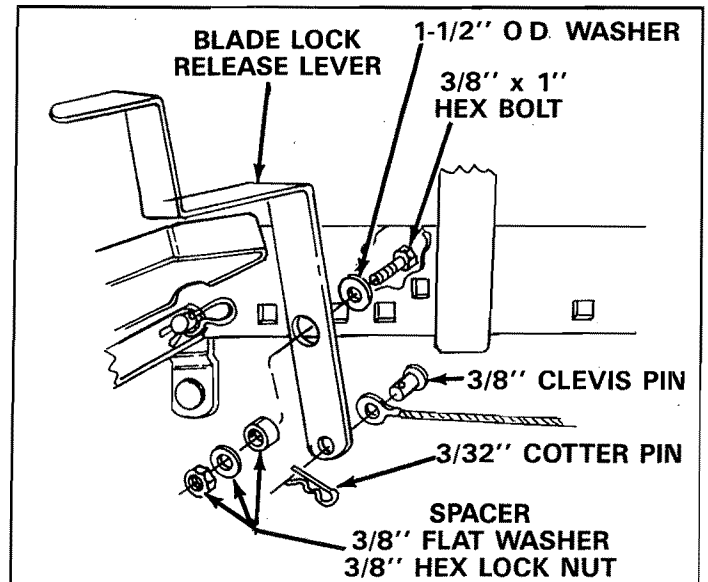


FIGURE 20

24. Thread cable toward front of tractor under steering tie rod and front axle and above guide bracket assembly. See figure 21.
25. Assemble one 3/8" x 1-1/2" carriage bolt into top hole in angle lock bars and tighten securely with one 3/8" hex lock nut. Place free end of cable over threaded end of carriage bolt and retain loosely with 3/8" hex lock nut. See figure 21.

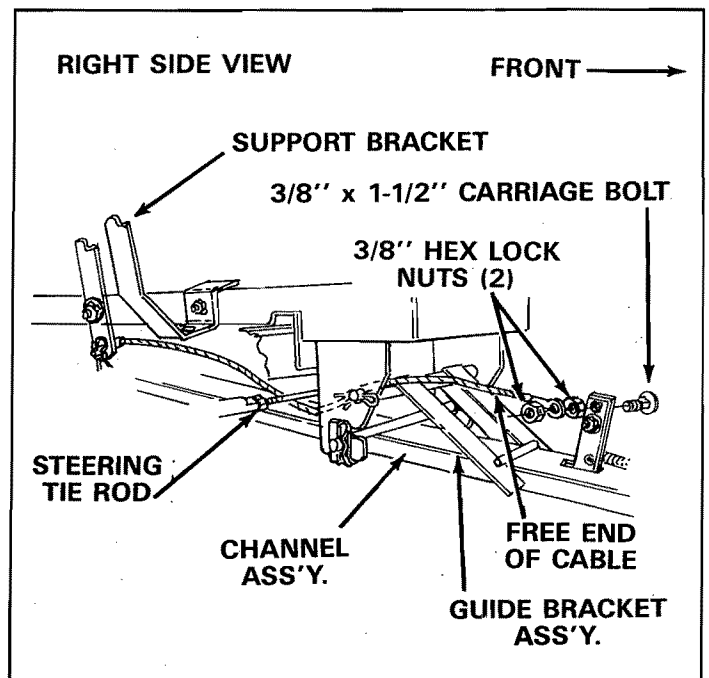


FIGURE 21

OPERATION INSTRUCTIONS AND ADJUSTMENTS

The snow blade attachment is designed to move new loose snow in depths up to 6" - 8".



HIDDEN OBJECTS CAN CAUSE SUDDEN STOPS OR CHANGE IN DIRECTION.



WITH THE SNOW BLADE IN THE "UP" POSITION DO NOT DEPRESS THE PLUNGER WITHOUT HOLDING BACK ON THE LIFT CONTROL LEVER OR SNOW BLADE MAY SUDDENLY DROP.

CONTROLS

Become familiar with all of the controls and adjustments on the tractor and snow blade before operating. Refer to tractor owner's manual for tractor controls. Controls for operating snow blade are as follows:

A. Attachment lift lever:

Located on right hand side of tractor. See figure 22. Move lever forward to lower snow blade. Pull lever back to raise and lock snow blade.

B. Lift lever plunger:

Located on top of attachment lift lever. See figure 22. Pull back on attachment lift lever and depress plunger to release.

C. Attachment depth control knob:

Adjust attachment lift lever movement with attachment **DEPTH CONTROL KNOB** (See figure 22) for **maximum movement** between locking notches and to prevent lever from locking in the down lock notch. See figure 22 .



NOTE

Some tractors are equipped with depth control notches instead of a depth control knob. See below.

Attachment depth control notches: (some models)

To adjust your snow blade to the best operating height, depress plunger on attachment lift lever, select one of six settings and release plunger.

D. Blade lock release:

Located on the right hand side of tractor at front of foot rest. See figure 22. Raise blade to transport position. Push forward on the blade lock release lever (with right foot) and hold while pushing or pulling on the blade pivot rod to move snow blade angle to left, center and right. Remove foot from blade lock release lever to lock blade into position.

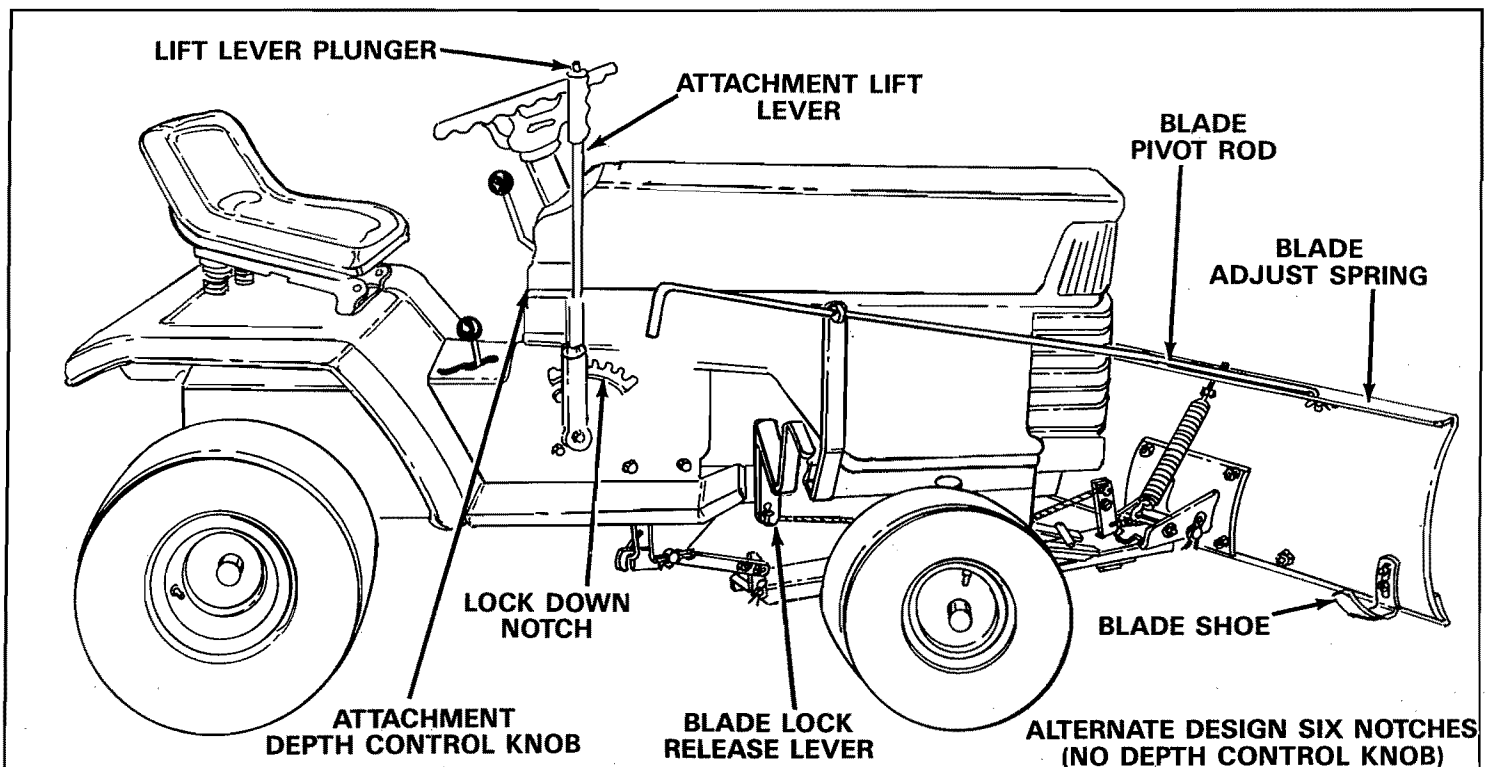


FIGURE 22

ADJUSTMENT

A. Blade angle lock bars:

Blade angle can be adjusted at the blade pivot in front of tractor by first raising the blade to transport position, pull back on angle lock bars to release the blade and pivot to the right, center, or left positions. Release lock bars to lock.

To adjust blade angle from the tractor seat:

Raise blade to transport position. Push forward on the blade lock release lever (with right foot) and hold while pushing or pulling on the blade pivot rod to move snow blade angle to left, center and right. Remove foot from blade lock release lever to lock blade into position.

B. Adjust blade spring:

Blade adjust spring tension is adjustable to permit blade to tilt forward to by-pass solid obstructions.



KNOW THE TERRAIN. AVOID EXCEPTIONALLY SHARP SLOPES OR DROPOFFS WHICH MAY BE HIDDEN BY THE SNOW. NEVER RUN THE SNOW BLADE INTO HEAVY MATERIAL AT HIGH SPEED.

C. Blade shoe adjustment:

Blade shoes on ends of blade, (see figure 22), may be raised for close work on smooth surfaces or lowered to raise the blade to work on rough or uneven areas. Make sure both shoes are set evenly and nuts are tightened securely.



NOTE

Wheel weights and tire chains must be used with your snow blade for traction. These accessories are available at your nearest Sears retail or catalog store. See page 12.

OPERATION



INSPECT THE AREA TO BE WORKED CAREFULLY BEFORE OPERATING THE SNOW BLADE. AVOID PIPES, ROOTS, CURBS OR OTHER HEAVY OBSTRUCTIONS.

1. Prepare lawn tractor engine for cold weather use following instructions furnished with lawn tractor.
2. Always begin with transmission in first (low) gear and gradually increase speed as required.

3. DO NOT push snow in the same direction causing excessive build up with each successive pass.
4. If blade is stored in heated area, allow lawn tractor and blade to adjust to outdoor temperature before operating to reduce icing on the metal surfaces.



ALWAYS LOWER BLADE TO GROUND BEFORE LEAVING TRACTOR.

TO REMOVE SNOW BLADE FROM TRACTOR

1. Lower blade to ground with blade in the center (straight) position.
2. Refer to figure 23 below and;
 - A. Remove 1/8" hairpin cotter from the lift arm link and channel assembly.
 - B. Remove 3/32" (small) hairpin cotters from right hand and left hand lift pivot plates, remove two 3/8" clevis pins from each side of frame, unhook and lower the lift assembly to the ground.
 - C. Re-assemble one 3/8"-16 x 3/4 carriage bolt and 3/8" hex nut in hole labeled A and B in figure 23 on each side of tractor frame. Also see figure 5 on page 4.
 - D. The belt guide must be re-assembled to right hand side of tractor frame. See figure 5 on page 4.

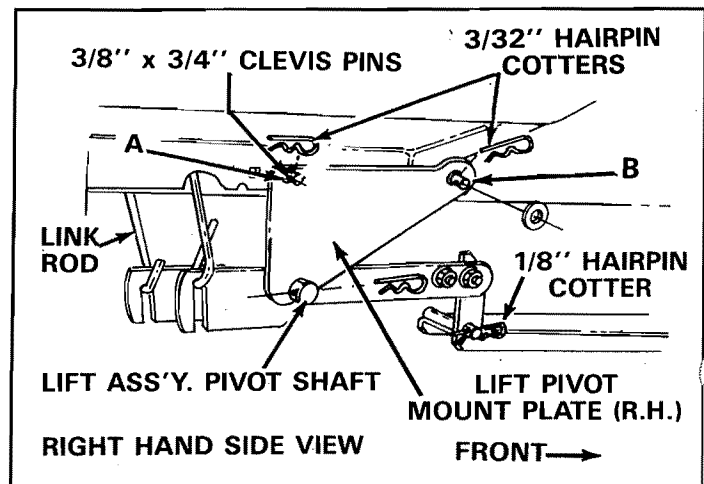


FIGURE 23

- E. Re-install suspension arms removed on page 4. See figure 5 on page 4.

CAUTION: If the suspension arms are ever removed from tractor (which may be necessary for mounting other attachments) the lift link on the LEFT side of the tractor must be removed from tractor if it is not needed or used with the attachment. Refer also to tractor manual. Failure to do so will allow the lift link to interfere with tractor steering which could cause loss of control while driving resulting in property damage and/or personal injury.

3. Refer to figure 24 below and remove 1/8" (large) hairpin cotters from ends of guide bracket assembly and remove guide bracket assembly.

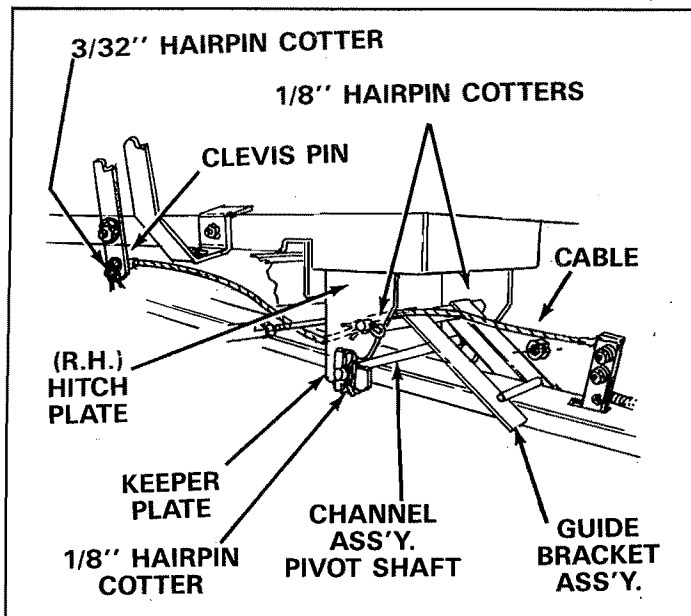


FIGURE 24

4. Refer to figure 24 above and remove 3/32" (small) hairpin cotter from 3/8" clevis pin which holds end of blade lock release cable to blade lock release lever. Pull cable free from tractor and reassemble clevis pin and cotter pin for storage. See figure 24.
5. Refer to figure 16 on page 7 and remove 1/8" (large) hairpin cotter from each clevis pin that holds each hitch brace in place. Remove hitch braces and spacers. Reassemble clevis pin and spacer to each hitch brace for storage.

6. Refer to figure 24 and remove 1/8" (large) hairpin cotters from ends of channel assembly pivot shaft and remove keeper plates. Lift the channel assembly pivot shaft out of the hitch plates and lower channel to the ground.

CUSTOMER RESPONSIBILITIES

During the operating season, check all bolts, nuts and hairpin cotters to be sure they are secure. For improved snow removal performance, coat the blade with automotive type paste wax.

LUBRICATION

Oil all pivot points so that they will work freely.

STORAGE

When the snow blade is not being used, remove all dirt and rust and touch up with paint.

Apply a light coat of grease or rust preventative to the blade and oil pivot points.

Store in an area where it is protected from weather.

Attachments That Add to the Usefulness of Your Craftsman Tractor

Sears offers a wide variety of attachments that fit your tractor. Many of these are listed below with brief explanations of how they can help you. This list was current at the time of publication; however, it may change in future years — more attachments may be added, changes (including changes in the stock number) may be made in these attachments, or some may be available.

Most of these attachments do not require additional hitches or conversion kits (those that do are indicated) and are designed for easy attaching and detaching. You may order these attachments at most Sears retail stores, catalog sales offices, and through the catalog.

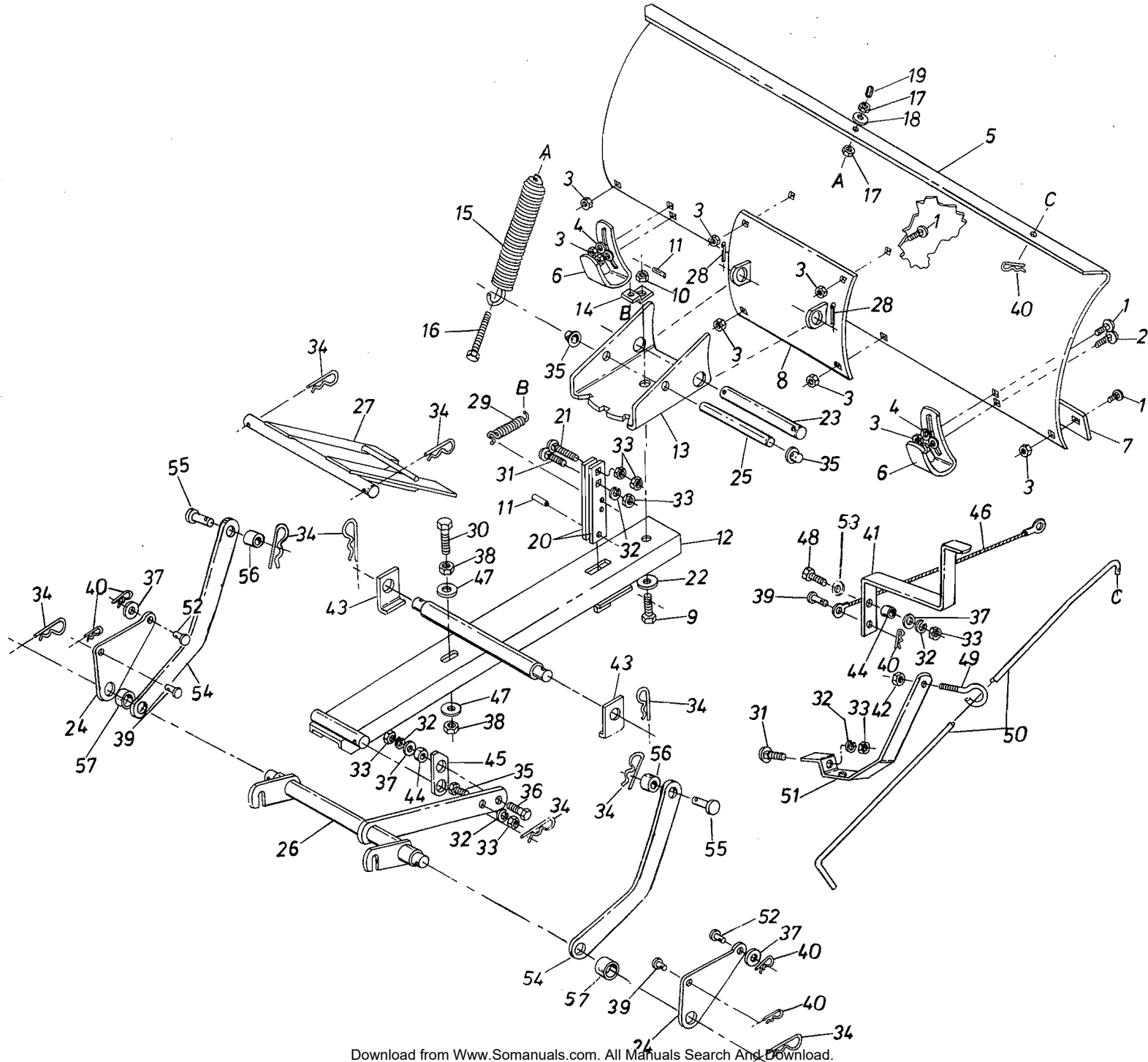
TIRE CHAINS are heavy duty; closely-spaced, extra-large cross links give smooth ride, outstanding traction.

WHEEL WEIGHTS for rear wheels provide needed traction for snow removal or dozing heavy materials.

Weight (each)	Fits
30 lb.	Lawn Tractors with 8 in. rims
33 lb.	Lawn or Yard Tractors with 10-in. rims

A mounting bracket is available to mount one 55 pound weight on the rear of your tractor frame for added traction.

REPAIR PARTS FOR MODEL 486.244062-42" SNOW BLADE



REPAIR PARTS FOR MODEL 486.244062 – 42" SNOW BLADE

REF. NO.	PART NO.	QTY.	DESCRIPTION	REF. NO.	PART NO.	QTY.	DESCRIPTION
1	43080	8	Carriage Bolt 5/16-18 x 3/4"*	30	45100	1	Hex Bolt 1/2-13 x 4"*
2	43079	2	Carriage Bolt 5/16-18 x 1"*	31	43350	2	Carriage Bolt 3/8-16 x 1"*
3	43064	10	Hex Lock Nut 5/16-18*	32	43003	5	Spring Lock Washer 3/8*
4	43081	4	Washer 5/16 Std. Wrt.*	33	43082	7	Hex Lock Nut 3/8-16*
5	23863	1	Blade 42"	34	43343	9	Hairpin Cotter 1/8*
6	23070	2	Shoe	35	44917	2	Palnut, 3/8
7	23117	1	Wear Plate 42"	36	43087	1	Hex Bolt 3/8-16 x 1-1/4"*
8	62870	1	Reinforcement Plate Ass'y.	37	43070	4	Washer 3/8 Std. Wrt.*
9	23131	1	Special Pivot Bolt	38	43019	2	Hex Jam Nut 1/2-13*
10	43262	1	Hex Lock Nut 1/2-13*	39	44044	3	Clevis Pin 3/8 Dia. x 3/4" Lg.
11	43349	2	Spring Pin 1/4 x 1"*	40	43055	6	Hairpin Cotter 3/32*
12	62869	1	Channel Ass'y.	41	23857	1	Pivot Release Lever
13	23855	1	Pivot Plate Ass'y.	42	43013	1	Hex Lock Nut 1/4-20 Thd.*
14	23130	1	Spring Mount Bracket	43	23624	2	Keeper Plate
15	43263	1	Adjustment Spring	44	23625	2	Pivot Bushing
16	44043	1	Hex Bolt 5/16-18 x 3-1/2 (special)	45	23631	1	Lift Arm Link
17	43083	2	Hex Nut 5/16-18*	46	44915	1	Blade Lock Release Cable
18	43081	1	Washer 5/16 Std. Wrt.*	47	43352	2	Washer 7/16 Std. Wrt.*
19	43331	1	Plastic Cap	48	43001	2	Hex Bolt 3/8-16 x 1"*
20	23151	2	Angle Lock Bar	49	44419	1	Eye Bolt 1/4-20
21	43069	1	Carriage Bolt 3/8-16 x 1-1/2"	50	44417	1	Blade Pivot Rod
22	43352	1	Washer 7/16" Std. Wrt.*	51	23745	1	Support Bracket
23	23122	1	Pivot Shaft	52	45091	2	Clevis Pin 3/8" Dia. x 1" Lg.
24	23859	2	Lift Pivot Plate	53	141	1	Washer, 3/8 ID x 1-1/2" OD
25	23856	1	Spring Mount Rod	54	23896	2	Hitch Brace
26	62854	1	Lift Ass'y.	55	44049	2	Clevis Pin 1/2 Dia. x 1-1/4" Lg.
27	62868	1	Guide Brk't Ass'y.	56	45133	2	Spacer, 1/2" ID x 1" OD
28	43010	2	Cotter Pin 1/8 x 1-1/4"*	57	45132	2	Spacer, 1" ID x 1-1/4" OD
29	43348	1	Angle Lock Spring		45134	1	Owner's Manual

Sears, Roebuck and Co. reserves the right to make any changes in design or improvements without imposing any obligation to install the same upon its items heretofore manufactured.

SEARS

owners manual

**Model No.
486.244062
42"
SNOW BLADE**

**How to Order
Repair Parts**

42" SNOW BLADE

Always mention the Model Number when requesting service or repair parts for your Snow Blade.

All parts listed herein may be ordered from any Sears Service Center and most Sears stores.

WHEN ORDERING REPAIR PARTS, ALWAYS GIVE THE FOLLOWING INFORMATION:

- THE PART NUMBER
- THE PART DESCRIPTION
- THE MODEL NUMBER
- THE NAME OF MERCHANDISE

If the parts you need are not stocked locally, your order will be electronically transmitted to a Sears Repair Parts Distribution Center for handling.

LIMITED ONE YEAR WARRANTY ON 42" SNOW BLADE

For one year from date of purchase, when this Snow Blade is maintained and lubricated according to the operating and maintenance instructions in the owner's manual, Sears will repair free of charge any defect in material or workmanship.

If this Snow Blade is used for commercial or rental purposes, this warranty applies for only 90 days from the date of purchase.

This warranty does not cover:

—repairs necessary because of operator abuse or negligence, including the failure to maintain the equipment according to instructions contained in the owner's manual.

WARRANTY SERVICE IS AVAILABLE BY RETURNING IT TO THE NEAREST SEARS SERVICE CENTER/DEPARTMENT IN THE UNITED STATES.

This warranty applies only while this product is in use in the United States.

This warranty gives you specific legal rights, and you may also have other rights which vary from state to state.

Sears, Roebuck and Co. D/817WA, Hoffman Estates, IL. 60179

Sears, Roebuck and Co., Hoffman Estates, IL. 60179 U.S.A.

Free Manuals Download Website

<http://myh66.com>

<http://usermanuals.us>

<http://www.somanuals.com>

<http://www.4manuals.cc>

<http://www.manual-lib.com>

<http://www.404manual.com>

<http://www.luxmanual.com>

<http://aubethermostatmanual.com>

Golf course search by state

<http://golfingnear.com>

Email search by domain

<http://emailbydomain.com>

Auto manuals search

<http://auto.somanuals.com>

TV manuals search

<http://tv.somanuals.com>