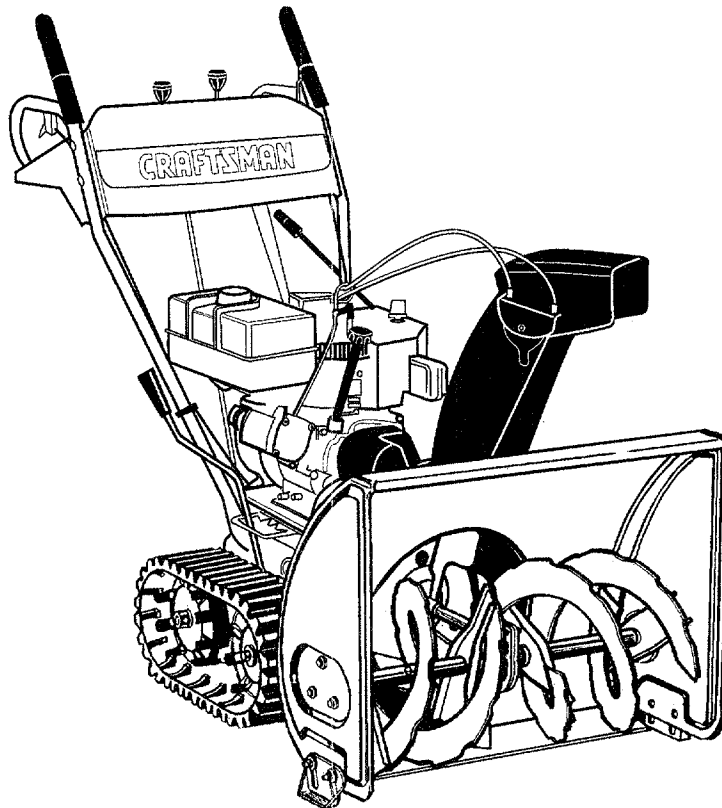


# SEARS Owner's Manual

## **CRAFTSMAN<sup>®</sup>** **7 HORSEPOWER** **24" TWO STAGE TRACK DRIVE** **SNOW THROWER**

Model No.  
247.885570



**CAUTION:** Before using this product, read this manual and follow all Safety Rules and Operating Instructions.

Sears, Roebuck And Co., Hoffman Estates, IL 60179 USA

Printed in U.S.A.

770-0372M 8/96  
(R960823)

# TABLE OF CONTENTS

Warranty .....	2	Maintenance .....	15
Safe Operation .....	3	Service and Adjustments .....	16
Hardware Pack .....	5	Off-Season Storage .....	20
Assembly .....	6	Trouble Shooting .....	21
Operation .....	10	Repair Parts .....	22

## WARRANTY INFORMATION

### TWO YEAR LIMITED WARRANTY ON CRAFTSMAN SNOW THROWER

For two years from the date of purchase, when this Craftsman Snow Thrower is maintained, lubricated and tuned up according to the instructions in the owner's manual, Sears will repair, free of charge, any defect in material and workmanship.

If this Craftsman snow thrower is used for commercial or rental purposes, this warranty applies for only 30 days from the date of purchase.

**This warranty does not cover:**

Expendable items which become worn during normal use, such as skid shoes, shave plate and spark plugs.

Repairs necessary because of operator abuse or negligence, including bent crankshafts and the failure to maintain the equipment according to the instructions contained in the owner's manual.

WARRANTY SERVICE IS AVAILABLE BY RETURNING THE CRAFTSMAN SNOW THROWER TO THE NEAREST SEARS SERVICE CENTER/DEPARTMENT IN THE UNITED STATES.

**This warranty applies only while this product is in use in the United States.**

This warranty gives you specific legal rights, and you may also have other rights which may vary from state to state.

SEARS, ROEBUCK AND CO., D/817WA, HOFFMAN ESTATES, IL 60179

### PRODUCT SPECIFICATIONS

Horsepower:	7 h.p.
Displacement:	15.04 cu.in.
Fuel Capacity:	4 quarts
Spark Plug	J-8C or equivalent
Ignition Air Gap:	.0125"
Engine	MODEL 143.977001

Model Number 247.885570

Serial Number

Date of Purchase

The model and serial numbers will be found on a label attached to the frame of the snow thrower.

You should record both serial number and date of purchase and keep in a safe place for future reference.

# SAFE OPERATION PRACTICES



This symbol points out important safety instructions which, if not followed, could endanger the personal safety and/or property of yourself and others. Read and follow all instructions in this manual before attempting to operate your snow thrower. Failure to comply with these instructions may result in personal injury.



**WARNING:** This unit is equipped with an internal combustion engine and should not be used on or near any unimproved forest-covered, brush-covered or grass-covered land unless the engine's exhaust system is equipped with a spark arrester meeting applicable local or state laws (if any). If a spark arrester is used, it should be maintained in effective working order by the operator. In the State of California the above is required by law (Section 4442 of the California Public Resources Code). Other states may have similar laws. Federal laws apply on federal lands. A spark arrester for the muffler is available through your nearest Sears Authorized Service Center. (See the REPAIR PARTS section of this manual.)

## TRAINING

- Read this owner's guide carefully in its entirety before attempting to assemble or operate this machine. Be completely familiar with the controls and the proper use of this machine before operating it. Keep this manual in a safe place for future and regular reference and for ordering replacement parts.
- Never allow children under 14 years old to operate a snow thrower. Children 14 years old and over should only operate snow thrower under close parental supervision. Only persons well acquainted with these rules of safe operation should be allowed to use your snow thrower.
- No one should operate this unit while intoxicated or while taking medication that impairs the senses or reactions.
- Keep the area of operation clear of all persons, especially small children and pets.
- Exercise caution to avoid slipping or falling, especially when operating in reverse.

## PREPARATION

- Thoroughly inspect the area where the equipment is to be used and remove all door mats, sleds, boards, wires and other foreign objects.
- Do not operate equipment without wearing adequate winter outer garments. Do not wear jewelry, long scarfs or other loose clothing which could become entangled in moving parts. Wear footwear which will improve footing on slippery surfaces.
- Before working with gasoline, extinguish all cigarettes and other sources of ignition. Check the fuel before starting the engine. Gasoline is an extremely flammable fuel. Do not fill the gasoline tank indoors, while the engine is running, or until engine has been allowed to cool at least two minutes. Replace gasoline cap securely and wipe off any spilled gasoline before starting the engine as it may cause a fire or explosion.
- Use a grounded three wire plug-in for all units with electric drive motors or electric starting motors.
- Adjust collector housing height to clear gravel or crushed rock surface.
- Never attempt to make any adjustments while engine is running (except where specifically recommended by manufacturer).
- Let engine and machine adjust to outdoor temperature before starting to clear snow.

- Always wear safety glasses or eye shields during operation or while performing an adjustment or repair, to protect eyes from foreign objects that may be thrown from the machine in any direction.

## OPERATION

- Do not put hands or feet near or under rotating parts. Keep clear of discharge opening and auger at all times.
- Exercise extreme caution when operating on or crossing gravel drives, walks, or roads. Stay alert for hidden hazards or traffic.
- Do not carry passengers.
- After striking a foreign object, stop the engine, remove wire from spark plug, and thoroughly inspect the snow thrower for any damage. Repair the damage before restarting and operating the snow thrower.
- If the snow thrower starts to vibrate abnormally, stop the engine and check immediately for the cause. Vibration is generally a warning of trouble.
- Stop engine whenever you leave the operating position, before unclogging the collector/impeller housing or discharge guide, and making any repairs, adjustments, or inspections. Never place your hand in the discharge or collector openings. Use a stick or wooden broom handle to unclog the discharge opening.
- Take all possible precautions when leaving the unit unattended. Disengage the collector/impeller, stop the engine, and remove the key.
- When cleaning, repairing, or inspecting, make certain collector/impeller and all moving parts have stopped. Disconnect spark plug wire and keep away from plug to prevent accidental starting.
- Do not run engine indoors, except when starting engine and transporting snow thrower in or out of building. Open doors. Exhaust fumes are dangerous.
- Do not clear snow across the face of slopes. Exercise extreme caution when changing direction on slopes. Do not attempt to clear steep slopes.
- Never operate snow thrower without guards, plates, or other safety protection devices in place.
- Never operate snow thrower near glass enclosure, automobiles, window wells, drop off, etc., without proper adjustments of snow thrower discharge angle. Keep children and pets away.

# ASSEMBLY

**IMPORTANT:** This engine has been shipped **without gasoline or oil**. After assembly, see operation section of this manual for proper fuel and engine oil recommendations.

**NOTE:** To determine right and left hand sides of your snow thrower, stand behind it in the normal operating position.

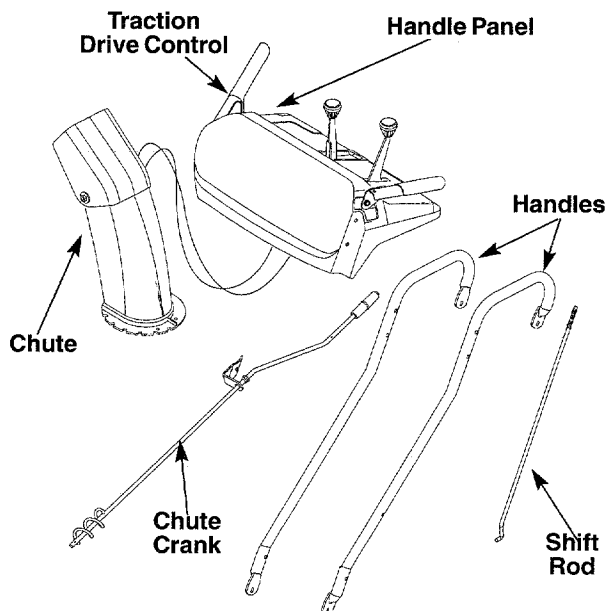


FIGURE 1: Loose Parts

## REMOVING UNIT FROM CARTON

- Cut the corners of the carton.
- Remove loose parts. Refer to figure 1.
- Remove all packing inserts.
- Slide snow thrower out of the carton.
- Make certain all parts and literature have been removed before the carton is discarded.

**Assembly Tips:** For easier assembly purposes, remove the chute from the carton and lay it on top of the engine. Do not unwrap the chute till you have installed the handle panel, the clutch cables, and the belt cover.

## LOOSE PARTS IN CARTON

Handle Panel and Chute Assembly (1)  
Right Hand Handle (1)      Left Hand Handle (1)  
Chute Crank Assembly (1)      Shift Rod (1)  
Hardware Pack (1)

## TOOLS REQUIRED

1/2" Wrench  
7/16" Wrench (2)  
3/8" Wrench  
or Adjustable Wrenches  
Pair of Pliers  
Set of screw drivers

## HARDWARE PACK

Lay out the hardware according to the illustrations and

part numbers listed on page 5. Lay each hardware piece on the picture and match the size.

## SETTING UP YOUR SNOW THROWER



**WARNING:** Make certain the spark plug wire is disconnected and moved away from the spark plug before assembling the snow thrower.

## ATTACHING THE HANDLE ASSEMBLY

- Stretch out control cables and place on the floor.
- Place right handle in position with flat side against the snow thrower. You can identify the right handle by the traction drive control label on it, and the left handle by the auger clutch control label on it.

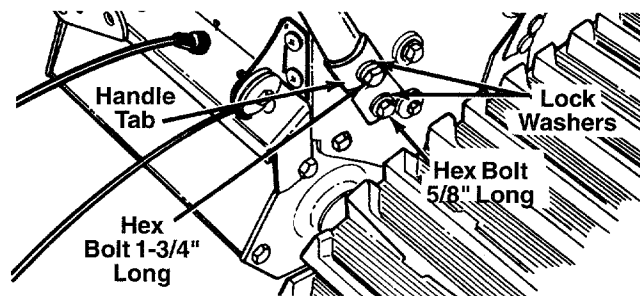


FIGURE 2

- Secure bottom hole in handle to snow thrower using 5/16 x 5/8" hex bolt and lock washer. See figure 2. Do not tighten at this time.
- Match handle tab over the upper hole in handle, so the curve in the handle tab matches the curve in the handle. See figure 2.
- Secure to the snow thrower using hex bolt 5/16 x 1-3/4" long and lock washer. Do not tighten at this time.
- Attach the left handle in the same manner. Do not tighten at this time. See figure 2.
- Place handle panel in position between the handles so the ends of the curved part of the handles go through the slots in the handle panel. Align the holes in the handle with the holes on the two sides of the handle panel. See figure 3.

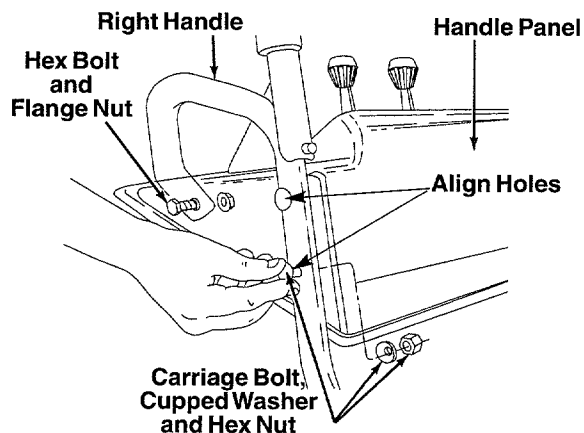


FIGURE 3

- Attach handle panel to the handle with four carriage bolts, cupped washers (cupped side against the handle panel) and hex nuts as shown in figure 3. Align the contour of the carriage bolt head with the handle.
- Attach rear of handle panel with two 1/4-20 hex bolts and flange nuts. See figure 3. Do not tighten at this time.
- Tighten all loose hardware on the handle assembly in the following order -- first the hex bolts at the bottom of the handle, then the carriage bolts, and lastly the hex bolts on the rear of the handle panel.

### ATTACHING THE CLUTCH CABLES

The Z ends of the clutch cables are hooked into the clutch grips on each handle.

- Lift the black plastic belt cover from the front of the engine (shipped loose in position). Refer to figure 4.
- Remove the two self-tapping screws from the engine frame that will be used to install the cover.
- Check and make sure that the cable is in the groove of the two cable guide rollers.

Attach cables as follows.

- Thread the hex nuts all the way up the threaded portion of the Z ends of the clutch cables.
- Place the clutch grip in the raised (up) position.
- Thread the cable onto the threaded portion of the Z until there is no slack in the cable, but the cable is NOT tight. Do not overtighten cable.
- Squeeze the auger control lever against the handle and make sure that the belts are tightening
- When correct adjustment is reached, tighten the hex nut against the bottom portion of the cable to lock it in position. Use pliers and 3/8" wrench to lock the hex nut.
- Tighten traction drive control cable in the same manner.
- Place belt cover in position and secure with self-tapping screws that you had earlier removed.

**WARNING:** If there is tension on the cable when the clutch grip is released, the safety features of the snow thrower may be overridden.

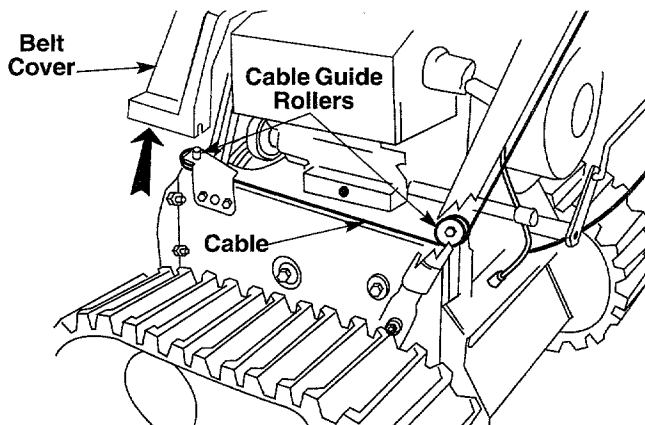


FIGURE 4

### ATTACHING THE SHIFT ROD

- Place the shift lever in the sixth (6) speed position.
- Place the bent end of the shift rod into the hole in the shift arm assembly. See figure 5. Secure with spring washer, 5/16 flat washer and hairpin clip.
- Start threading the ferrule onto the other end of the shift rod. Push down on the shift rod (and the shift arm assembly) as far as it will go.
- Thread the ferrule onto the shift rod until the ferrule lines up with the upper hole in the shift lever (beneath the handle panel). Once the ferrule slides into the hole, turn it counterclockwise one more full turn and insert it in the hole in shift lever.

**NOTE:** It may be necessary to pull the shift lever out of the sixth speed position and move it towards the fifth speed position until the ferrule slides into the hole without force.

- Insert the ferrule into the upper hole in the shift lever from the right side when adjustment is correct. Secure with 5/16 flat washer and hairpin clip.

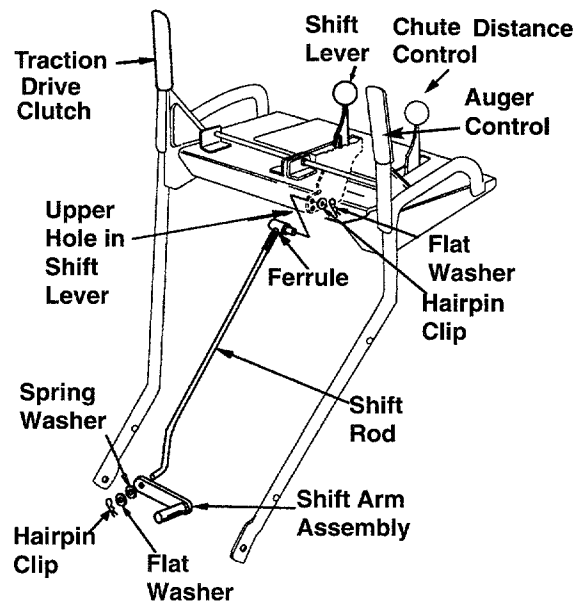


FIGURE 5

- Make certain to check for correct adjustment of the shift rod as instructed in the Adjustment section before operating the snow thrower.

### ATTACHING CHUTE

- Place chute assembly over chute opening, with the opening in the chute assembly facing the front of the unit.

**NOTE:** Make sure that the chute cables are straightened while assembling the chute.

- Place chute flange keeper (flat side down) beneath lip of chute assembly. See figure 6.
- Insert 1/4-20 hex bolt up through chute flange keeper and chute assembly as shown in figure 6. Do not tighten at this time. Rotate chute to install all the flange keepers.

- After assembling all three chute flange keepers, tighten then back off 1/4 turn to allow easier movement of the chute. Use (2) 7/16" wrenches.

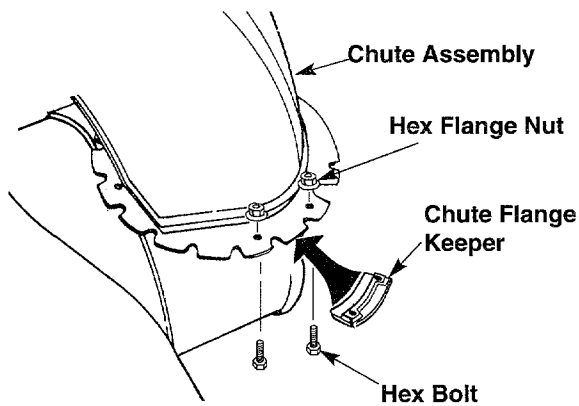


FIGURE 6

### ATTACHING CHUTE CRANK

- Insert 5/16 x 1/2" hex bolt through the upper chute crank bracket which is assembled on the chute crank. See figure 7.

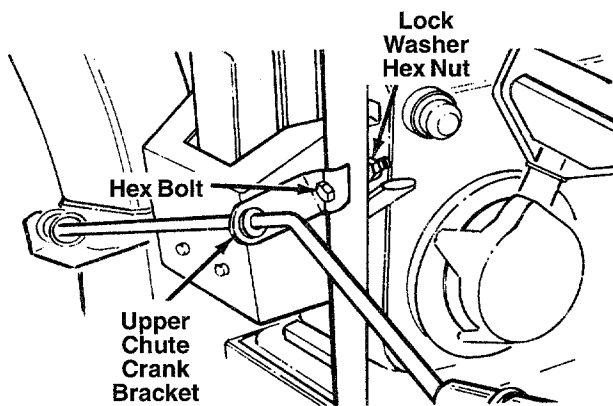


FIGURE 7

- Place the hex bolt into the hole provided in the left handle. Fasten with lock washer and 5/16 hex nut.
- Do not tighten until after attaching the other end of the chute crank.
- You may have to loosen the carriage bolts and hex lock nuts which secure the lower chute crank bracket to the extension on the left side of the chute assembly. See figure 8.

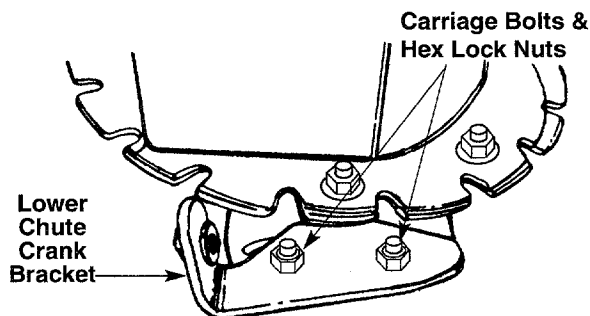


FIGURE 8

- Place one 3/8 ID flat washer on the end of the chute crank, then insert the end of the crank into the eye hole in the plastic bushing in the chute crank bracket. See figure 9.
- Place the other 3/8 ID flat washer on the end of the chute crank, and insert hairpin clip into eye hole in the end of crank.
- Adjust the chute bracket so that the spiral on the chute crank fully engages the teeth on the chute assembly. Tighten the nuts on the lower chute crank bracket securely.
- Tighten the hex bolt and nut on the upper chute crank bracket on the handle. Use a 1/2" wrench.
- Fully rotate the chute using the chute crank to make sure it moves freely.

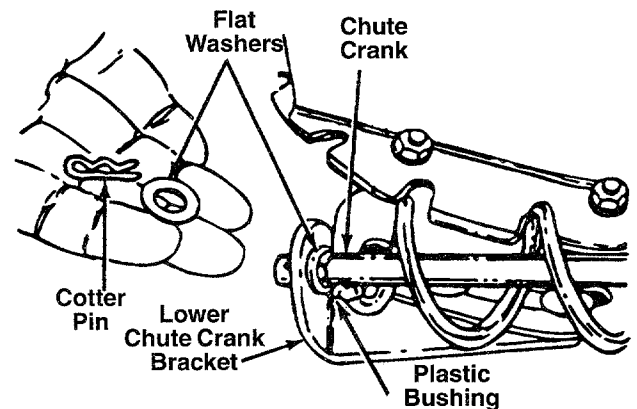


FIGURE 9

- Slip the cables that run from the handle panel to the chute into the cable guide located on top of the engine. See figure 10.

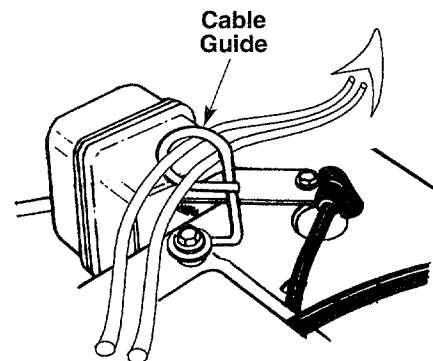


FIGURE 10

**IMPORTANT:** Assemble your snow thrower; then check the adjustments as instructed, and make any final adjustments necessary before operating the unit. Failure to follow the instructions may cause damage to the snow thrower.

## ATTACHING LEFT AND RIGHT TURN TRIGGERS

- Remove the screw from the top of the right hand turn trigger. Be careful not to lose the weld nut. Remove the trigger from the cable by pulling the cable out and down. Slide cable barrel out of the slot.
- Make sure that the right hand trigger cable is routed in front of the traction drive cable.

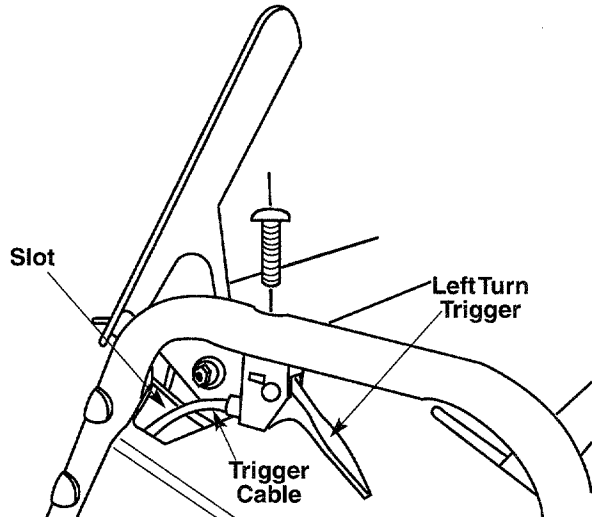


FIGURE 11

- Feed the trigger cable up through the outer side of the slot in the plastic handle panel. Do not feed the cable through the same side of the slot as the Z fitting.
- Slide and rotate the cable barrel into the slot on the trigger. Pull the cable until it snaps into place.
- Place the right turn trigger in position underneath the right handle. Secure with screw just removed. See figure 11. Use phillips screwdriver.
- Secure the right turn trigger cable to the right lower handle, using cable tie provided in the hardware pack.
- Secure the left turn trigger cable in the same manner.
- Trim excess ends from each cable tie.

**NOTE:** The right side cable tie must be used to keep cable from coming in contact with the moving shift arm from the transmission.

## FINAL ADJUSTMENTS

### AUGER CONTROL ADJUSTMENT

- To check the adjustment of the auger control, push forward on the left hand clutch grip until the rubber bumper is compressed. There should be slack in the clutch cable.
- Release the clutch grip. The cable should be straight. Make certain you can depress the auger control grip against the left handle completely.
- If necessary, loosen the hex jam nut and thread the cable in (for less slack) or out (for more slack).
- Recheck the adjustment. Tighten the jam nut against the cable when correct adjustment is reached.

## TRACTION DRIVE CONTROL ADJUSTMENT

- To check the adjustment of the traction drive control and shift lever, move the weight transfer lever to the transport position (see figure 16) and the shift lever all the way forward to sixth (6) position.
- With the traction drive control released, pull the triggers up to the handle and then push the snow thrower forward to check that the tracks turn.
- Before proceeding with adjustment, check to **make sure that the spark plug is disconnected.**
- Squeeze traction drive control against the handle and pull the starter. The tracks should turn.
- Now release the traction drive control and pull the starter again. The unit should not move.
- If the traction drive control needs adjustment, loosen the jam nut on the traction drive cable and thread the cable one turn. Recheck the adjustment and repeat as necessary.
- Tighten the jam nut to secure the cable when correct adjustment is reached.

**NOTE:** For more details, refer to the Service and Adjustment section.

## SKID SHOE ADJUSTMENT

The space between the shave plate and the ground can be changed by adjusting the skid shoe.

- Return weight transfer lever to normal position before adjusting skid shoes.
- For close snow removal, adjust skid shoes higher so there is minimum gap between the shave plate and the ground.
- For snow removal from uneven ground like gravel, adjust skid shoes down so there is sufficient clearance between the bottom edge of shave plate and the ground.
- Adjust skid shoes by loosening the four hex nuts and carriage bolts, and moving skid shoes to desired position. Make certain the entire bottom surface of skid shoe is against the ground to avoid uneven wear on the skid shoes. See figure 12.
- Retighten nuts and bolts securely.

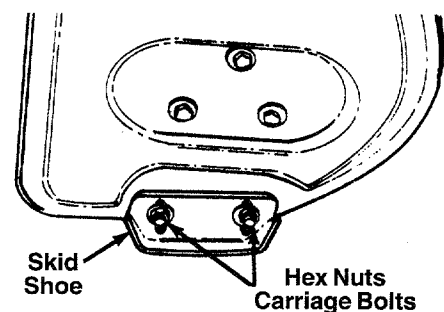


FIGURE 12

# OPERATION

## KNOW YOUR SNOW THROWER

READ THIS OWNER'S MANUAL AND SAFETY RULES BEFORE OPERATING YOUR SNOW THROWER.

Compare the illustrations in this manual with your snow thrower to familiarize yourself with the location of various controls and adjustments. Save this manual for future reference.

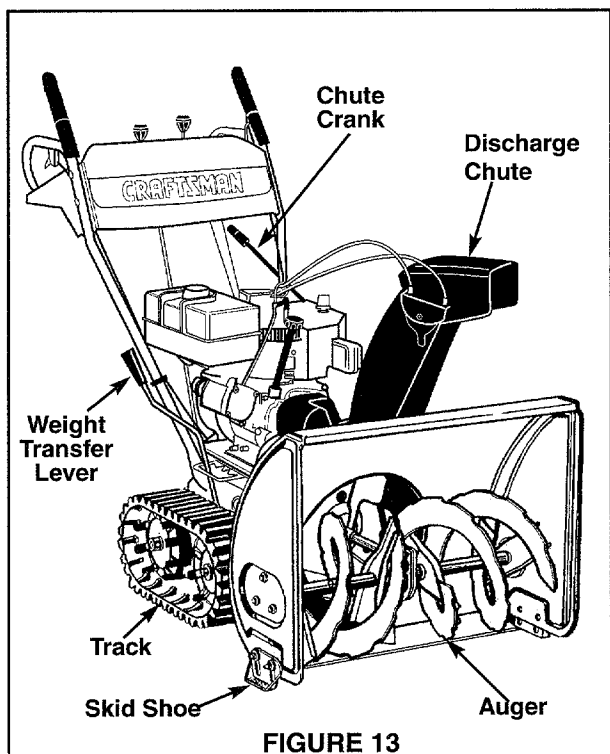


FIGURE 13

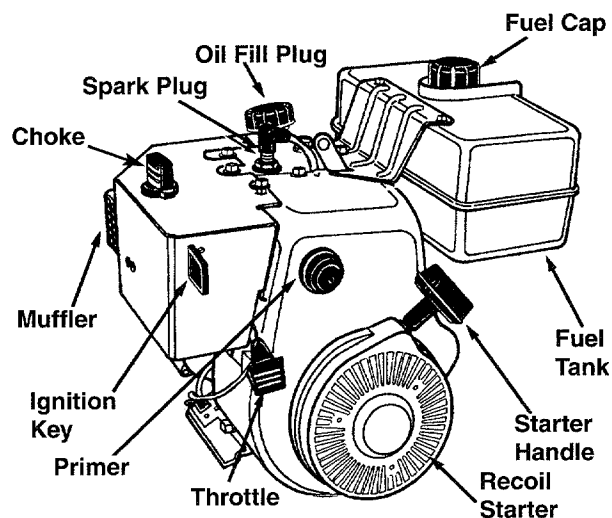


FIGURE 14

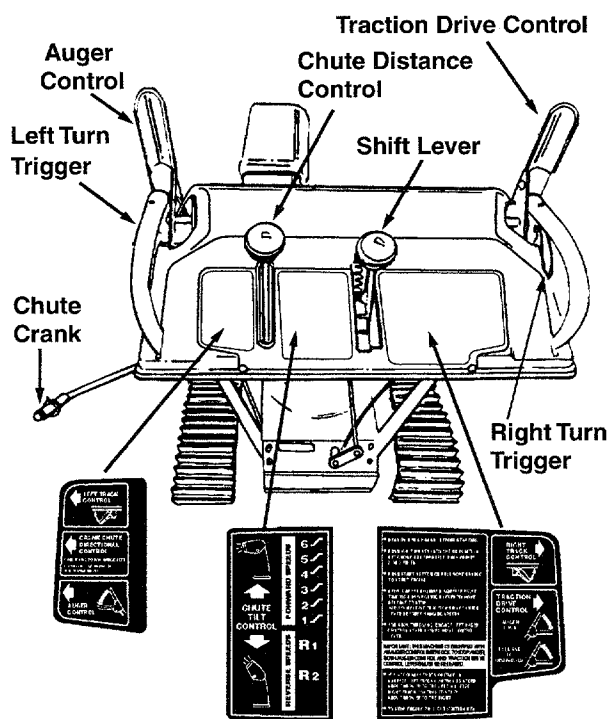


FIGURE 15

## MEETS ANSI SAFETY REQUIREMENTS B71.3

Sears snow throwers conform to the safety standards of the American National Standards Institute.





The operation of any snow thrower can result in foreign objects being thrown into the eyes, which can result in severe eye damage. Always wear safety glasses or eye shields while operating the snow thrower or performing any adjustments or repairs. We recommend standard safety glasses or wide vision safety mask for over your glasses available at SEARS retail stores.

## OPERATION CONTROLS

### CHUTE CRANK

The chute crank is located on left hand side of the snow thrower. See figure 13. To change the direction in which snow is thrown, turn chute crank as follows: turn clockwise to discharge to the left; turn counterclockwise to discharge to the right.

### THROTTLE CONTROL

The throttle control is located on the engine. It regulates the speed of the engine. See figure 14.

### SAFETY IGNITION SWITCH

The ignition key must be inserted into the switch for the unit to start. Remove the ignition key when snow thrower is not in use. See figure 14.

### LEFT AND RIGHT TURN TRIGGER

The left and right turn triggers are located on the underside of the handles and are used to assist in steering your snow thrower. See figure 15. Squeeze the right turn trigger when turning right, squeeze the left turn trigger when turning left. Operate your snow thrower in open areas until you become familiar with these controls.

### SHIFT LEVER

The shift lever is located in the center of the handle panel. The shift lever may be moved into one of eight positions. Use the shift lever to determine ground speed. **Forward**—one of six speeds; position one (1) is the slowest and position six (6) is the fastest.

**Reverse**—two reverse (R) speeds; R<sub>2</sub> is faster.

### AUGER CONTROL

The auger control is located on the left handle. See figure 15. Squeeze the auger control against the handle to engage the augers; release to disengage the augers. (Traction drive control must also be released.)

### TRACTION DRIVE CONTROL

The traction drive control is located on the right handle. Squeeze the traction drive control to engage the track drive; release to stop. See figure 15.

**This same lever also locks the auger control so you can turn the chute crank without interrupting the snow throwing process.** If the auger control is

engaged with the traction drive control engaged, you can release the auger control (on the left handle) and the augers will remain engaged. Release the traction drive control to stop both the augers and wheel drive. (Auger control must also be released).

### CHUTE DISTANCE CONTROL

The distance snow is thrown can be adjusted by adjusting the angle of the chute assembly. Move the chute distance control forward to decrease the distance, toward the rear to increase the distance. See figure 15.

### WEIGHT TRANSFER LEVER

The weight transfer lever is located on the right side of the snow thrower and is used to select the position of the housing and the method of track operation. Move the lever to the right, then forward or backward to one of the three positions. See figure 16.

**Transport**—Raises the front end of the snow thrower for easy transport. Using proper caution, this position may also be used on many gravel driveways to clear snow while leaving gravel undisturbed.

**Normal Snow**--Allows the tracks to be suspended independently for continuous ground contact.

**Packed Snow**—Locks the front end of the snow thrower down to the ground for hard-packed or icy snow conditions.

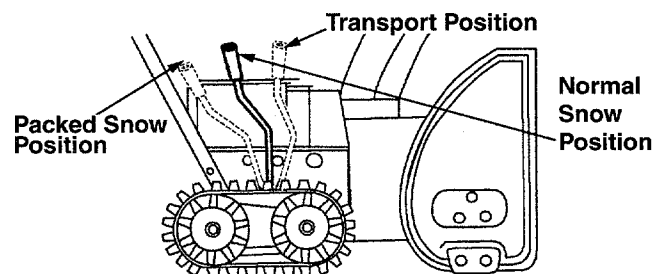


FIGURE 16

## TO STOP THE SNOW THROWER

- To stop the track, release the traction drive lever.
- To stop throwing snow, release the auger drive lever.
- To stop the engine, push the throttle control lever to OFF and pull out the ignition key. Do not turn key.

## OPERATING THE SNOW THROWER

### TO ENGAGE DRIVE

- With the engine running near top speed, move shift lever into one of six FORWARD positions or two REVERSE positions. Select a speed appropriate for the snow conditions that exist. Use slower speeds until you are familiar with the operation of the snow thrower.
- Squeeze the traction drive clutch grip against the right handle and the snow thrower will move. Release it and the drive motion will stop.

### TO ENGAGE AUGERS

- To engage the augers and start snow throwing, squeeze the left hand auger clutch grip against the left handle. Release to stop augers.
- While the left handle auger control is engaged, squeeze the right hand traction drive control to move, release to stop. **Do not** shift speeds while drive is engaged.

**NOTE:** This same lever also locks the auger control so you can turn the chute crank without interrupting the snow throwing process.

- Release the left hand auger control; the interlock mechanism should keep the left hand auger control engaged until the right hand traction drive control is released.
- Release the traction drive control to stop both the augers and the wheel drive.

**WARNING:** To stop auger both levers must be released.



Never move shift lever without first releasing the drive clutch.

### TO THROW SNOW

**CAUTION:** Check the area to be cleared for foreign objects. Remove, if any.

- Move weight transfer lever to the right, then backward or forward to the desired position.
- Start the engine following Starting Instructions.
- Rotate the discharge chute to the desired direction, away from bystanders and/or buildings. Move the chute distance control forward or backward to adjust the distance the snow is to be thrown.
- Select the speed according to the snow condition.
- Engage the auger control and traction drive control levers following the preceding instructions.

- Interlock feature will allow you to remove your left hand from the auger control lever.
- When clearing your first pass through the snow, control the traction speed of the snow thrower according to the depth and condition of the snow.
- To turn the unit left squeeze left trigger; to turn right squeeze right trigger.
- On each succeeding pass, readjust the chute deflector to the desired position and slightly overlap the previously cleared path.
- After the area is cleared, stop the snow thrower following preceding instructions.

## BEFORE STARTING ENGINE

Only use high quality detergent oil rated with API service classification SF or SG. Use SAE 5W30 engine oil only.

### FILL OIL

This snow thrower was shipped with a container of 5W30 oil. This oil must be added to the engine before starting. For extreme cold operating conditions of 0° F or below, use a partial synthetic 0W30 motor oil for easier starting.

**NOTE:** In areas where temperature is consistently at 20° F or lower, you may use 0W30 motor oil for easier starting.

- Remove the oil fill cap/dipstick.
- Pour the oil and fill the crankcase to line (Full) on dipstick (19 ounces). See figure 17.
- Tighten the oil fill cap/dipstick securely.

**NOTE:** Engine may already contain some residual oil. Check frequently when filling the crankcase. Do not overfill.

**NOTE:** Oil must be changed after the first two (2) hours of operation to extend engine life.

### FILL GAS



**WARNING:** Gasoline is flammable and caution must be used when handling or storing it. Do not fill fuel tank while snow thrower is running, when it is hot or when snow thrower is in an enclosed area.

Keep away from open flame or an electrical spark and do not smoke while filling the fuel tank.

Never fill the fuel tank completely. Fill the tank to within 1/4"-1/2" from the top to provide space for expansion of fuel.

Always fill fuel tank outdoors and use a funnel or spout to prevent spilling.

Make sure to wipe up any spilled fuel before starting the engine.

Store gasoline in a clean, approved container, and keep the cap in place on the container.

- Make sure that the container from which you pour the gasoline is clean and free from rust or other foreign particles.
- Fill fuel tank with clean, fresh, unleaded grade automotive gasoline. See figure 17.
- At the end of the job, empty the fuel tank if the snow thrower is not going to be used for 30 days or longer. See Storage instructions in this manual.

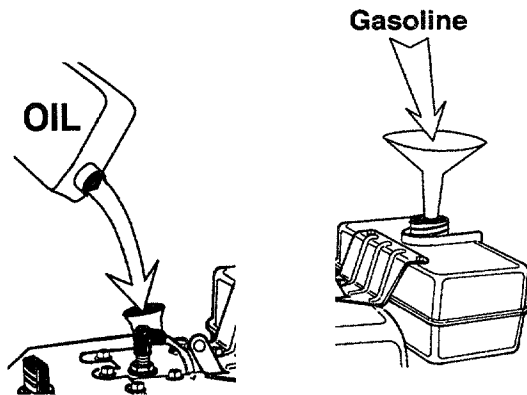


FIGURE 17

**CAUTION:** Experience indicates that alcohol blended fuels (called gasohol) or those using ethanol or methanol can attract moisture which leads to separation and formation of acids during storage.

Acidic gas can damage the fuel system of an engine while in storage.

To avoid engine problems, the fuel system should be emptied before storage for 30 days or longer. Drain the gas tank, start the engine and let it run until the fuel lines and carburetor are empty. Use fresh fuel next season. See STORAGE Instructions for additional information.

Never use engine or carburetor cleaner products in the fuel tank or permanent damage may occur.

## TO START ENGINE (ELECTRIC STARTER)

Make sure that the engine has sufficient oil. The snow thrower engine is equipped with a 120 volt A.C. electric starter and recoil starter. The electric starter is equipped with a three-wire power cord and plug, and is designed to operate on 120 volt AC household current. Follow all instructions carefully.

### COLD START

**NOTE:** If unit shows any sign of motion (drive or augers) with the clutch grips disengaged, shut engine off immediately. Readjust as instructed in the "Final Adjustments" section of the Assembly Instructions.



**WARNING:** The electric starter must be properly grounded at all times to avoid the possibility of electric shock which may be injurious to the operator.

- Determine that your house wiring is a three-wire grounded system. Ask a licensed electrician if you are not certain.
- If your house wiring system is grounded and a three-hole receptacle is not available at the point the snow thrower starter will normally be used, one should be installed by a licensed electrician.



**WARNING:** If your house wiring system is not a three-wire grounded system, do not use this electric starter under any conditions.

- When connecting the power cord, always connect cord to starter on engine first, then plug the other end into a three-hole grounded receptacle.
- When disconnecting the power cord, always unplug the end from the three-hole grounded receptacle first.
- **Attach** spark plug wire to spark plug.
- Make sure that the auger drive and the traction drive levers are in the disengaged RELEASED position.
- Move throttle control lever to FAST position.
- Remove the keys from the plastic bag. Push key into the ignition slot. Make sure it snaps into place. **DO NOT TURN KEY.** Keep the second key in a safe place.
- Rotate the choke knob to FULL choke position.
- Connect the power cord to the switch box on the engine.
- Plug the other end of the power cord into a three-hole, grounded 120 volt A.C. receptacle.
- Push the primer button while covering the vent hole as follows: (Remove finger from primer button between primes.)
  - Do not prime if temperature is above 50° F.
  - Prime two times if temperature is between 50° F and 15° F.
  - Prime four times if temperature is below 15° F.
- Push down on the starter button until the engine starts. Do not crank for more than 10 seconds at a time. This electric starter is thermally protected. If overheated, it will stop automatically and can be restarted only when it has cooled to a safe temperature (a wait of about 5 to 10 minutes is required).
- When the engine starts, release the starter button and slowly rotate the choke to OFF position. If the engine falters, rotate the choke to FULL and then gradually to OFF.
- Disconnect the power cord from the receptacle first and then from the switch box on the engine.

- Allow the engine to warm up for a few minutes because the engine will not develop full power until it reaches operating temperature.
- Operate the engine at full throttle (FAST) when throwing snow.

## WARM START

- If restarting a warm engine after a shut down, rotate choke to OFF instead of FULL and do not push the primer button.

## TO START ENGINE

### (RECOIL STARTER)

Make sure that the engine has sufficient oil and the auger drive and the traction drive levers are disengaged (released).

- Move throttle control to FAST position.
- Push key into the ignition slot and make sure that it snaps into place. Do not turn key. Remove plastic bag and keep the second key in a safe place.
- Rotate choke control to FULL choke position.
- Push the primer button while covering the vent hole. Remove finger from primer button between primes.
  - Do not prime if temperature is above 50° F.
  - Prime two times in temperatures between 50° F and 15° F.
  - Prime four times in temperatures below 15° F.
- Pull the starter handle rapidly. Do not allow the handle to snap back, but allow it to rewind slowly while keeping a firm hold on the starter handle.
- As the engine warms up and begins to operate evenly, rotate the choke knob slowly to OFF position. If the engine falters, return to FULL choke, then slowly move to OFF choke position.
- Allow the engine to warm up for a few minutes because the engine will not develop full power until it reaches operating temperature.
- Operate the engine at full throttle (FAST) when throwing snow.

## WARM START

- If restarting a warm engine after a shut down, rotate choke to OFF instead of FULL and do not push the primer button.

## FROZEN RECOIL STARTER

If the starter is frozen and will not turn the engine, proceed as follows:

- Pull as much rope out of the starter as possible.
- Release the starter handle and let it snap back against the starter.
- If the engine still fails to start, repeat the first two steps. If continued attempts do not free starter, follow the electric starter procedures to start.

Avoid possible freezing of recoil starter and the engine controls.

## OPERATING TIPS

**NOTE:** Allow the engine to warm up for a few minutes as the engine will not develop full power until it reaches operating temperature.



**Warning:** Temperature of muffler and surrounding areas may exceed 150° F. **Avoid these areas.**

- For most efficient snow removal, remove snow immediately after it falls.
- Discharge snow downwind whenever possible. Slightly overlap each previous swath.
- Set the skid shoes 1/4" below the scraper bar for normal usage. The skid shoes may be adjusted upward for hard-packed snow. Adjust downward when using on gravel or crushed rock.
- Follow the precautions listed under "To Stop Engine" and "Frozen Recoil Starter" to prevent possible freeze-up.
- Clean the snow thrower thoroughly after each use.

# MAINTENANCE

## CUSTOMER RESPONSIBILITIES

MAINTENANCE SCHEDULE		MAINTENANCE SCHEDULE						SERVICE DATES*										
		BEFORE EACH USE	AFTER EACH USE	FIRST FIVE HOURS	EVERY 25 HOURS	EVERY 50 HOURS	BEFORE STORAGE											
PRODUCT	Lubricate pivot points			✓		✓												
	Clean snow thrower	✓					✓											
	Clean shave plate				✓													
	Clean skid shoes				✓													
	Check V-Belts						✓											
	Check friction wheel rubber				✓													
ENGINE	Check engine oil	✓																
	Change engine oil			✓	✓													
	Service air cleaner				✓													
	Check spark plug						✓	✓										
	Check muffler						✓											

\* Fill in dates as you complete regular service

✓ Check

### GENERAL RECOMMENDATIONS

- Always observe safety rules when performing any maintenance.
- The warranty on this snow thrower does not cover items that have been subjected to operator abuse or negligence. To receive full value from the warranty, operator must maintain the snow thrower as instructed in this manual.
- Some adjustments will need to be made periodically to properly maintain your unit.
- All adjustments in the Service and Adjustments section of this manual should be checked at least once each season.
- Follow the maintenance schedule on this page.

### LUBRICATION



**WARNING:** Disconnect the spark plug wire and ground against the engine before performing any repairs or maintenance.

### SPROCKET SHAFT

- Lubricate the sprocket shaft with grease at least once a season or after every 25 hours of operation.

**IMPORTANT:** Keep all grease and oil off of the friction wheel and drive plate.

### SHIFTING MECHANISM

- Lubricate the shifting mechanism and pivot points on the shift rod with engine oil at least once a season or after every 25 hours of operation.

### TRACTION DRIVE CONTROL

- Lubricate cams on the ends of the control rods which interlock the traction drive and auger controls at least once a season or every twenty-five hours of operation with grease. The cams can be accessed beneath the handle panel.

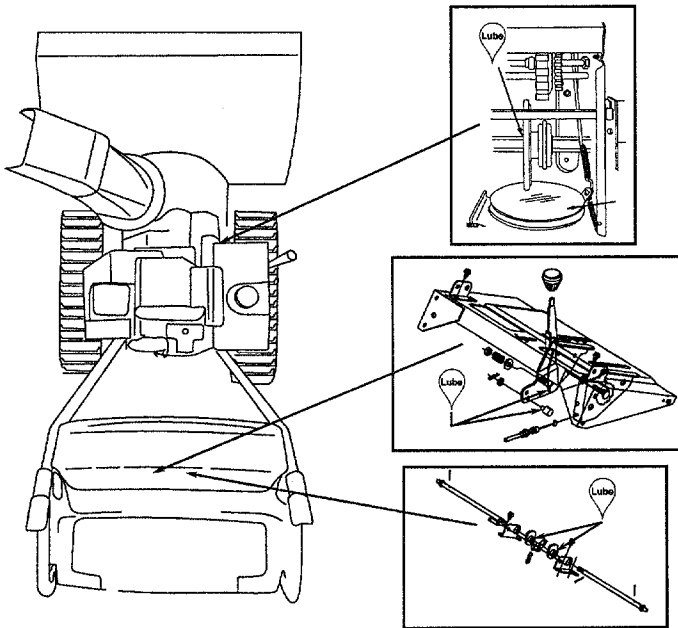
## GEAR CASE

- The gear case is lubricated with grease at the factory and does not require checking. If disassembled for any reason, lubricate with 2 ounces of Shell Alvania grease.

## BEARINGS

- Lubricate the auger bearings, wheel bearings and the bearings on the side of the frame once a season with light oil.

**Lubrication Chart:** The view shown here indicates the lubrication points. For a more specific location of the lubrication points, see pages 22 and 23.



## CHECK V-BELTS

- Remove the plastic belt cover on the front of the engine by removing two self-tapping screws.
- Visually inspect for frayed, cracked, or excessively worn out belts.

## CHECK FRICTION WHEEL

Check the condition of the friction wheel rubber after every 25 hours of operation.

- Remove the four self-tapping screws from the frame cover underneath the snow thrower.
- Visually inspect the friction wheel rubber for excessive wear, cracks, or loose fit on the friction wheel drive hub.
- Also, engage traction drive control and check if the friction wheel is making contact with the friction plate.
- If it does not make contact, adjust the traction drive cable following instructions below and recheck.
- Replace friction wheel rubber if necessary. Refer to instructions on page 19.

## CHECK ENGINE OIL

- Remove oil fill plug and dipstick.
- Wipe dipstick clean, insert it into oil fill hole and tighten securely.
- Remove dipstick and check. If oil is not up to FULL mark on dipstick, add 5W30 oil. Pour slowly and check again.

# SERVICE AND ADJUSTMENTS



**WARNING:** Always stop engine, disconnect spark plug wire, and move it away from spark plug before performing any adjustments or repairs.

**Never attempt** to clean chute or make any adjustments while engine is running.

## CHUTE ASSEMBLY

The distance snow is thrown can be adjusted by adjusting the angle of the chute assembly. Refer to page 11.

## SKID SHOE

The space between the shave plate and the ground can be adjusted by adjusting the skid shoe. Refer to page 5 of the Assembly Instructions.

## TRACTION DRIVE CONTROL

Refer to the Final Adjustment section of the Assembly Instructions to adjust the traction drive control. If you are uncertain whether you have reached the correct adjustment, the adjustment can be physically checked as follows.

- Drain the gasoline or place plastic film under the gas cap if the snow thrower has already been operated.
- Tip the snow thrower forward, and remove the four self-tapping screws that hold the frame cover underneath the snow thrower.
- With the traction drive control *released*, make sure that there is clearance between the friction wheel and the friction plate in all positions of the shift lever.

- With the traction drive control *engaged*, make sure that the friction wheel is making contact with the friction plate. See figure 18. Also make sure that the overtravel spring is stretched.

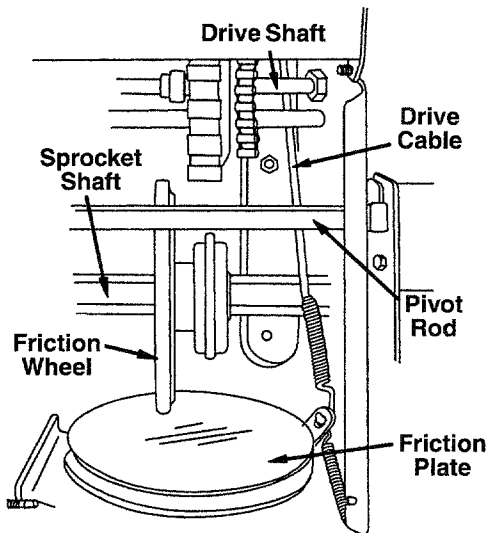


FIGURE 18

- If adjustment is necessary, loosen the jam nut on the traction drive cable and thread the cable in or out as necessary.
- Tighten the jam nut to secure the cable when correct adjustment is reached. Reassemble the frame cover.

**NOTE:** If you placed plastic under the gas cap, be certain to remove it.

## AUGERS

The augers are secured to the spiral shaft with two shear bolts and hex lock nuts. If you hit a foreign object or ice jam, the snow thrower is designed so that the bolts will shear.

- If the augers will not turn, check to see if the bolts have sheared. Replace if necessary. See figure 19. Two replacement hex bolts and hex lock nuts have been provided with the snow thrower.

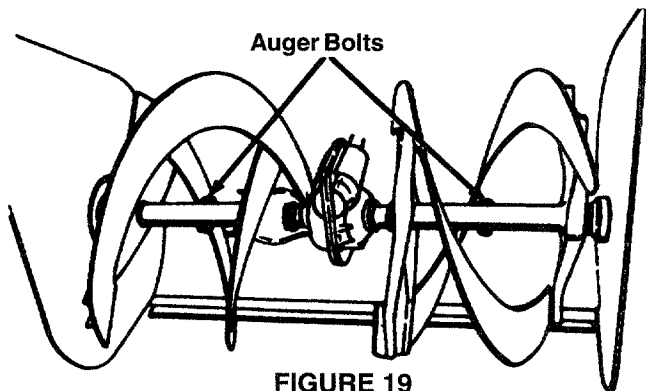


FIGURE 19

## ENGINE

### ENGINE OIL

- Only use high quality detergent oil rated with API service classification SF or SG.

Use 5W-30 oil only.

#### Oil sump capacity:

1-1/4 pints/19 ounces/.56 liter

- Maintain oil level between "FULL" and "ADD" marks on dipstick.
- Remove oil fill plug and dipstick.
- Wipe dipstick clean, insert it into oil fill hole and tighten securely. Remove dipstick. If oil is not up to "FULL" mark on dipstick, add recommended oil. POUR SLOWLY. Wipe dipstick clean each time oil level is checked.

**Important:** Do not fill above "full" mark on dipstick.

- Install oil fill plug and dipstick, tighten securely.

### SPARK PLUG

- Clean area around spark plug base.
- Remove and inspect spark plug.
- Replace spark plug if electrodes are pitted, burned, or the porcelain is cracked. For further details, refer to the engine manual.
- Clean the spark plug and reset the gap .030" at least once a season or every 50 hours of operation. Spark plug replacement is recommended at the start of each season. Refer to engine parts list for correct spark plug type. See figure 20.

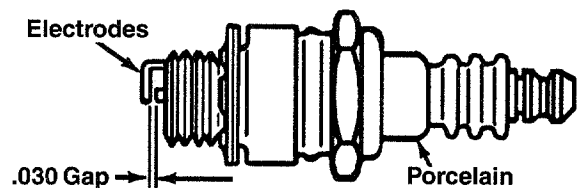


FIGURE 20

**NOTE:** Do not sandblast spark plug. Spark plug should be cleaned by scraping or wire brushing and washing with a commercial solvent.

### AUGER CLUTCH

To adjust the auger clutch, refer to Final Adjustment section of Set-Up Instructions.

### SHIFT ROD

To adjust the shift rod, proceed as follows.

- Remove the hairpin clip and flat washer from the ferrule underneath the shift panel. Remove the ferrule from the hole in the shift lever.
- Place the shift lever on the handle panel in the sixth (6) speed position (all the way forward).

- Push down on the shift rod (and shift arm assembly) as far as it will go. Hold it in this position.
- Thread the ferrule up or down the shift rod as necessary until the ferrule lines up with the **upper** hole in the shift lever. Refer to figure 9.
- Insert ferrule into the upper hole in the shift lever from the right side when adjustment is correct. Secure with flat washer and hairpin clip.
- Before operating the snow thrower, check for correct adjustment of the traction drive control as instructed in the Final Adjustment section.

## CARBURETOR



**WARNING:** If any adjustments are made to the engine while the engine is running (e.g. carburetor), keep clear of all moving parts. Be careful of heated surfaces and muffler.

If you think your carburetor needs adjusting, see your nearest authorized Tecumseh Service Outlet.

## SHAVE PLATE AND SKID SHOES

The shave plate and skid shoes on the bottom of the snow thrower are subject to wear. They should be checked periodically and replaced when necessary.

- To remove skid shoes, remove the four carriage bolts, belleville washers and hex nuts which attach them to the snow thrower.
- Reassemble new skid shoes with the four carriage bolts, belleville washers (cupped side goes against skid shoes) and hex nuts. Make certain the skid shoes are adjusted to be level.
- To remove shave plate, remove the carriage bolts, belleville washers and hex nuts which attach it to the snow thrower housing. Reassemble new shave plate, making sure heads of the carriage bolts are to the inside of the housing. Tighten securely.

## BELT REMOVAL AND REPLACEMENT



**WARNING:** Disconnect the spark plug wire from the spark plug and ground.

### AUGER BELTS

- To remove and replace either the rear or front auger drive belt, proceed as follows.
- Disconnect the chute crank at the chute assembly by removing the cotter pin and flat washer.
- Remove the plastic belt cover on the front of the engine by removing two self-tapping screws. See figure 21.

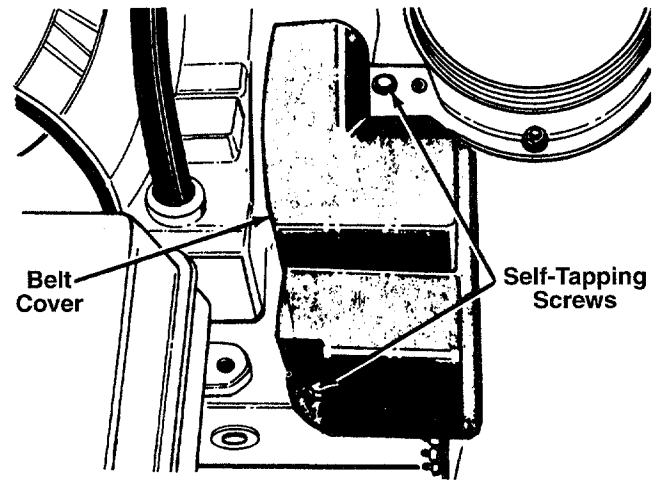


FIGURE 21

- Unthread the bottom of the auger cable from the top of the cable, leaving the hex nut in place.
- Remove the six lock washers and hex nuts which attach the auger housing assembly to the frame. See figure 22.

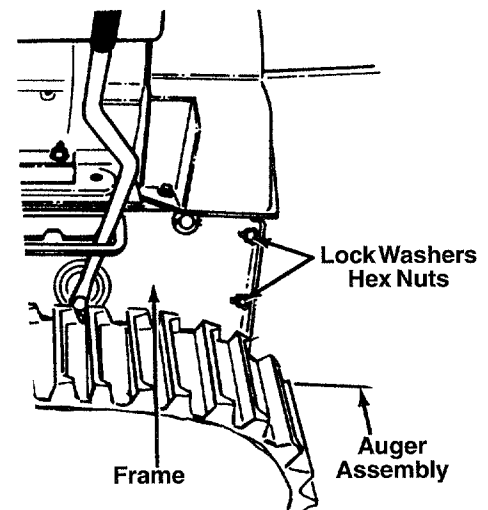


FIGURE 22

- Separate the housing from the frame assembly by standing in the operating position and lifting up on the handles. The frame and housing will separate, and the rear auger drive belt will come off the pulleys. See figure 23.
- To remove the front auger drive belt, push the idler pulley to the left, and lift front auger drive belt from the front auger pulley. See figure 23. Replace both auger drive belts by following the preceding instructions.

**NOTE:** When reassembling the two halves of the unit, make sure that the auger drive cable is routed through the cable roller guide.



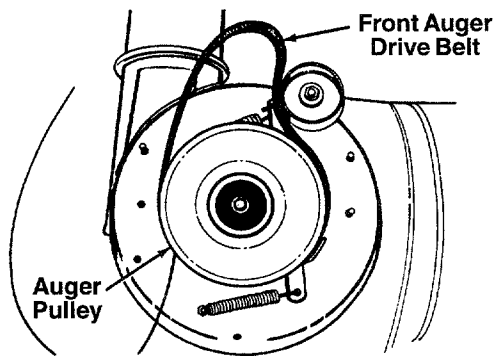


FIGURE 23

### DRIVE BELT

- Remove the plastic belt cover on the front of the engine by removing the two self-tapping screws. See figure 21.
- Drain the gasoline from the snow thrower, or place a piece of plastic under the gas cap.
- Tip the snow thrower up and forward so that it rests on the housing.
- Remove four self-tapping screws from the frame cover underneath the snow thrower.
- Pulling the idler pulley upward, roll belt off the idler and engine pulleys and lift belt off friction wheel disc.
- Back out the stop bolt until the support bracket rests on the auger pulley. See figure 24.

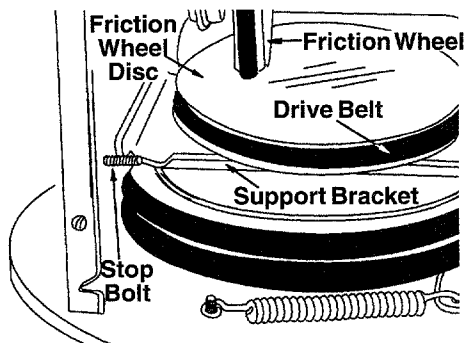


FIGURE 24

- Slip belt between friction wheel and friction disc plate. See figure 24. Reassemble by following the instructions.

**NOTE:** The support bracket must rest on the stop bolt after the new belt has been assembled. See figure 24.

### FRICION WHEEL RUBBER

The rubber on the friction wheel is subject to wear and should be checked after 25 hours of operation, and periodically thereafter. Replace the friction wheel rubber if any signs of wear or cracking are found.

- Drain the gasoline from the snow thrower, or place a piece of plastic under the gas cap.

- Tip the snow thrower up and forward, so that it rests on the housing.
- Remove four self-tapping screws from the frame cover underneath the snow thrower.
- Using a 7/8" wrench to hold the shaft, loosen, but do not completely remove, the hex bolt and bell washer from the left end of the shaft. See figure 25.

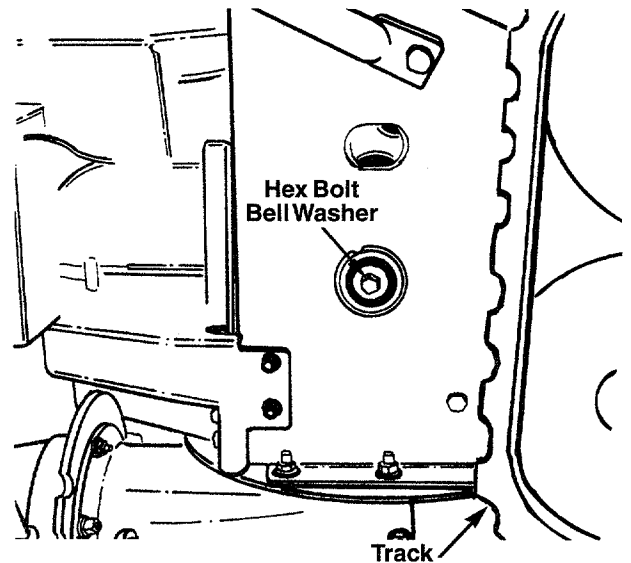


FIGURE 25

- Move the weight transfer lever to the packed snow position. Refer to figure 16.
- Lightly tap the head of bolt to dislodge the ball bearing from the right side of frame, then remove hex bolt and bell washer from left end of shaft.
- Sliding the shaft to the right, remove the spacer, sprocket, and friction wheel assembly from the shaft. See figure 26.
- Remove the six screws from the friction wheel assembly (three from each side). Remove the friction wheel rubber from between the friction wheel plate.
- Reassemble new friction wheel rubber to the friction wheel assembly, tightening the six screws in rotation and with equal force.
- Position the friction wheel assembly up onto the pin of the shift rod assembly, and slide the shaft through the friction wheel. See figure 26.
- Slide the shaft into the hex I.D. of the sprocket, the spacer, and the left ball bearing, and secure with the bell washer and hex bolt. See figure 26.

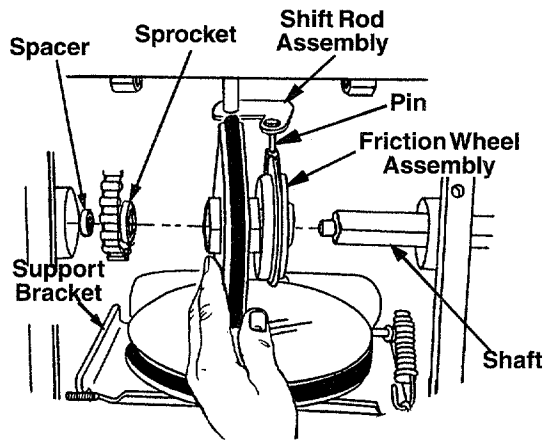


FIGURE 26

## OFF-SEASON STORAGE



**WARNING:** Never store engine with fuel in tank indoors or in poorly ventilated areas, where fuel fumes may reach an open flame, spark or pilot light as on a furnace, water heater, clothes dryer or gas appliances.

It is important to prevent gum deposits from forming in essential fuel system parts such as the carburetor, fuel filter, fuel hose or tank during storage.

Also experience indicates that alcohol blended fuels (called gasohol or using ethanol or methanol) can attract moisture which leads to separation and formation of acids during storage. Acidic gas can damage the fuel system of an engine while in storage.

To avoid engine problems, the fuel system should be emptied before storage for 30 days or longer. Follow these instructions to prepare your snow thrower for storage:

- Remove all gasoline from carburetor and fuel tank to prevent gum deposits from forming on these parts and causing possible malfunction of engine.
- Run engine until fuel tank is empty and engine stops due to lack of fuel.
- Drain carburetor by pressing upward on bowl drain, located below the carburetor cover. See figure 27.

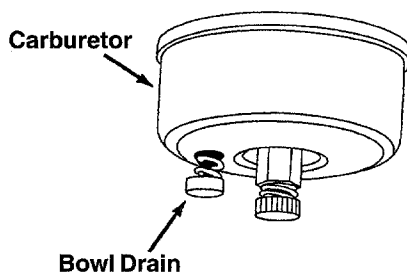


FIGURE 27

**NOTE:** Do not drain carburetor if using fuel stabilizer. Never use engine or carburetor cleaning products in the fuel tank or permanent damage may occur.



**WARNING:** Drain fuel into approved container outdoors, away from open flame. Be certain engine is cool. Do not smoke.

Fuel left in engine during warm weather deteriorates and will cause serious starting problems.

**NOTE:** Fuel stabilizer (such as STA-BIL) is an acceptable alternative in minimizing the formation of fuel gum deposits during storage. Add stabilizer to gasoline in fuel tank or storage container. Always follow mix ratio found on stabilizer container. Run engine at least 10 minutes after adding stabilizer to allow it to reach carburetor. Do not drain carburetor if using fuel stabilizer.

- Remove spark plug and pour one (1) ounce of engine oil through spark plug hole into cylinder. Crank engine several times to distribute oil. Replace spark plug.
- Remove all dirt from exterior of engine and equipment.
- Follow lubrication recommendations on pages 15 and 16.
- Store in a clean, dry area.

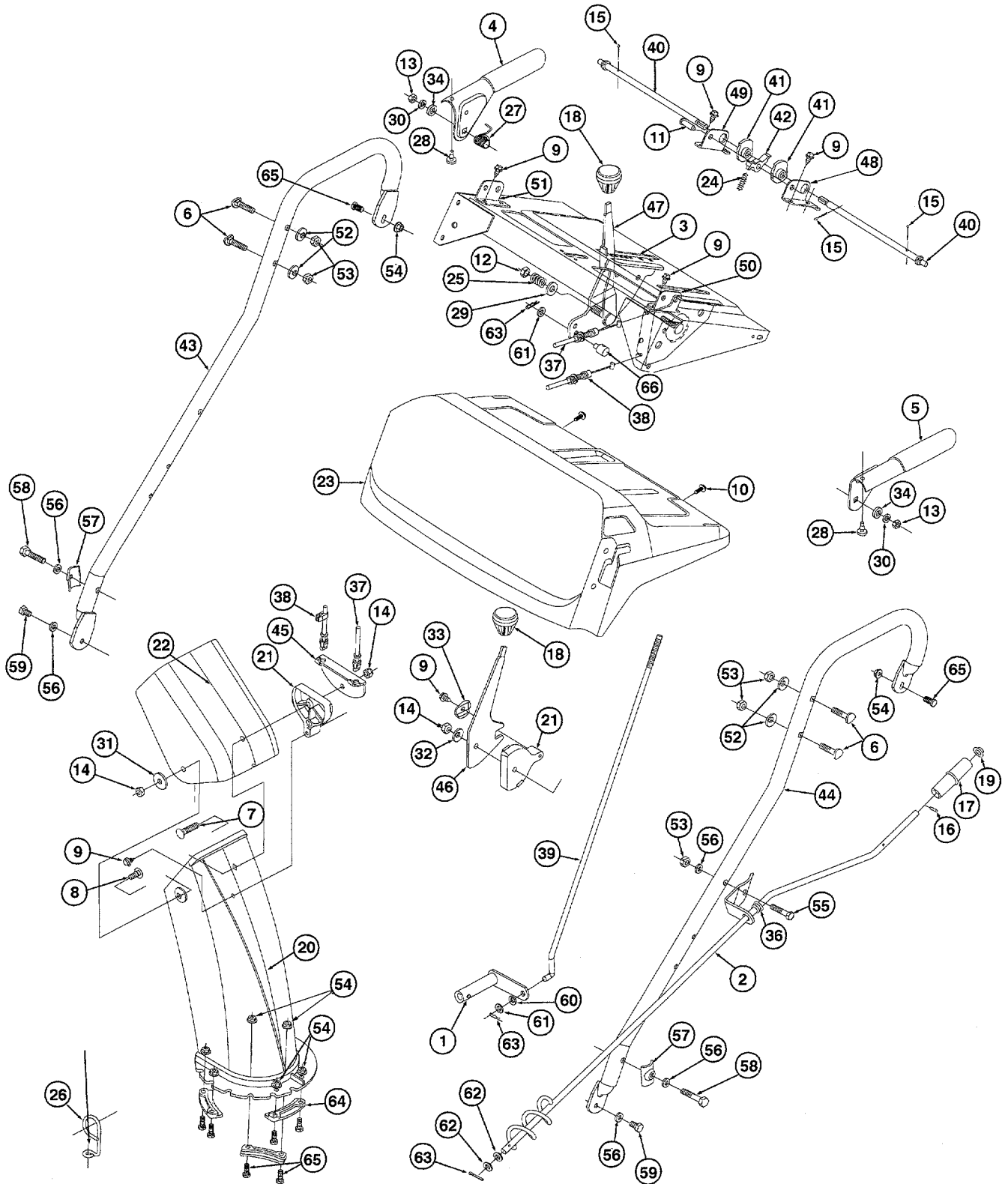
**NOTE:** When storing any type of power equipment in an unventilated or metal storage shed, care should be taken to rust proof the equipment. Using a light oil or silicone, coat the equipment, especially any chains, springs, bearings and cables.

# TROUBLE SHOOTING

Trouble	Possible Cause(s)	Corrective Action
Shift lever not locking into 6th	1. Shift rod out of adjustment.	1. Remove washer and pin. Turn ferrule clockwise one turn and reinstall.
Engine fails to start	1. Fuel tank empty, or stale fuel. 2. Fuel shut-off valve closed. 3. Key not in switch on engine. 4. Spark plug wire disconnected. 5. Blocked fuel line. 6. Faulty spark plug.	1. Fill tank with clean, fresh gasoline. 2. Open shut-off valve. 3. Insert key. 4. Connect wire to spark plug. 5. Clean fuel line. 6. Clean, adjust gap or replace.
Engine runs erratic	1. Unit running on CHOKE. 2. Blocked fuel line or stale fuel.  3. Water or dirt in fuel system. 4. Carburetor out of adjustment.	1. Turn choke knob to OFF position. 2. Clean fuel line; fill tank with clean fresh gasoline. 3. Use carburetor bowl drain to drain fuel tank. Refill with fresh fuel. 4. Adjust carburetor. See separate engine manual.
Loss of power	1. Spark plug wire loose. 2. Gas cap vent hole plugged.	1. Connect and tighten spark plug wire. 2. Remove ice and snow from cap. Be certain vent hole is clear.
Engine overheats	1. Engine oil level low. 2. Carburetor not adjusted properly.	1. Fill crankcase with proper oil. 2. Adjust carburetor. See separate engine manual.
Excessive vibration	1. Loose parts or damaged impeller.	1. Stop engine immediately and disconnect spark plug wire. Tighten all bolts and nuts. Make all necessary repairs. If vibration continues, have unit serviced by authorized service dealer.
Hard to shift, or will not shift	1. Shift rod misadjusted.	1. Readjust shift rod. See Adjustment section of this manual.
Unit fails to propel itself	1. Incorrect adjustment of drive clutch. 2. Drive belt loose or damaged.	1. Adjust drive clutch. Refer to Adjustment section. 2. Replace drive belt. Refer to Maintenance section.
Unit fails to discharge snow	1. Auger shear bolt broken. 2. Discharge chute clogged.  3. Foreign object lodged in auger.  4. Incorrect adjustment of auger drive clutch. 5. Auger drive belt loose or damaged.	1. Replace auger shear bolt. Refer to Maintenance section. 2. Stop engine immediately and disconnect spark plug wire. Clean discharge chute and inside of auger housing. 3. Stop engine immediately and disconnect spark plug wire. Remove object from auger. 4. Adjust auger clutch. Refer to Adjustment section. 5. Replace auger drive belt. Refer to Maintenance section.
Track does not turn	1. Track control cable not inserted. 2. Lower cable bracket (#52 on page 24 for reference) not fully positioned against the gear box.	1. Insert the cable completely into the trigger assembly. 2. Loosen two self-tapping screws on each slot of bracket. Retighten making sure the bolt is completely in the bottom of slot.

**NOTE:** For repairs beyond the minor adjustments listed above, please contact your nearest authorized service dealer.

# REPAIR PARTS

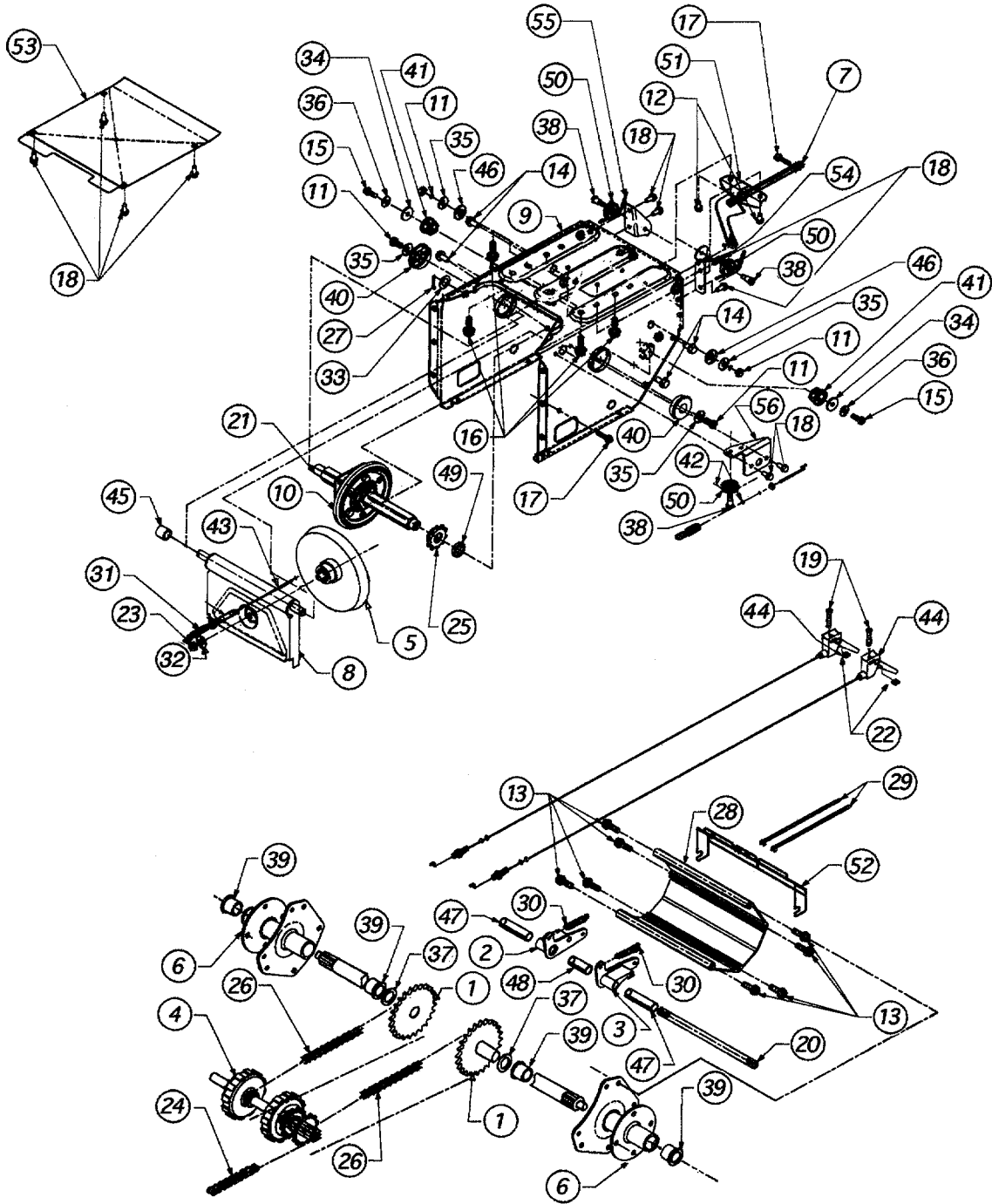


# REPAIR PARTS

## SEARS CRAFTSMAN 7 H.P. SNOW THROWER MODEL 247.885570

KEY NO.	PART NO.	DESCRIPTION	QTY.	KEY NO.	PART NO.	DESCRIPTION	QTY.
1	684-0008-0637	Shift Arm Assembly	1	34	736-0509	Washer	2
2	684-0022	Chute Crank Assembly	1	35	737-0133	Plastilube	1
3	684-0032A	Handle Panel Assembly	1	36	741-0475	Plastic Bushing	1
4	684-0112	Handle Assy. Engagement RH	1	37	746-0896	Control Cable	1
5	684-0111	Handle Assy. Engagement LH	1	38	746-0901	Chute Deflector Cable	1
6	710-1250	Carriage Bolt	4	39	747-0798A	Shift Rod	1
7	710-0262	Carriage Bolt	1	40	747-0877	CAM Rod	2
8	710-0451	Carriage Bolt	1	41	748-0362	CAM Handle Lock	2
9	710-0896	Hex Screw	6	42	748-0363	Pawl Handle Lock	1
10	710-1003	Tapp. Screw	2	43	749-0908A-0637	RH Handle	1
11	711-0653	Clevis Pin	1	44	749-0909-0637	LH Handle	1
12	712-0116	Lock Nut	1	45	784-5594	Cable Bracket	1
13	712-0267	Hex Nut	2	46	784-5604	Chute Tilt Handle	1
14	712-3068	Hex Patch Lock Nut	3	47	784-5619	Shift Handle	1
15	714-0507	Cotter Pin	3	48	784-5679	Support Bracket LH	1
16	715-0138	Rolling Pin	1	49	784-5680	Support Bracket RH	1
17	720-0201A	Chute Crank Knob	1	50	784-5681	Handle Support Bracket LH	1
18	720-0300	Shift Knob	2	51	784-5682	Handle Support Bracket RH	1
19	726-0100	Push Cap	1	52	736-0242	Cupped Washer	4
20	731-1300A	Lower Chute	1	53	712-0267	Hex Nut	5
21	731-1313B	Cable Guide	2	54	712-3027	Hex Flange Nut	8
22	731-1320	Upper Chute	1	55	710-0442	Hex Bolt	1
23	731-1576-0483	Handle Panel	1	56	736-0119	Lock Washer	5
24	732-0145	Compression Spring	1	57	784-5599	Handle Tab	2
25	732-0193	Compression Spring	1	58	710-3180	Hex Bolt	2
26	732-0705	Cable Control Wire	1	59	710-3025	Hex Bolt	2
27	732-0746	Torsion Spring	1	60	736-0271	Spring Washer	1
28	735-0199A	Rubber Bumper	2	61	736-0264	Flat Washer	2
29	736-0105	Bell Washer	1	62	736-0140	Flat Washer	2
30	736-0119	Lock Washer	2	63	714-0104	Hairpin Clip	3
31	736-0231	Washer	1	64	731-0851A	Chute Flange Keepers	3
32	736-0242	Bell Washer	1	65	710-3015	Hex Bolt	8
33	736-0506	Washer	1	66	711-0677	Ferrule	1

# REPAIR PARTS

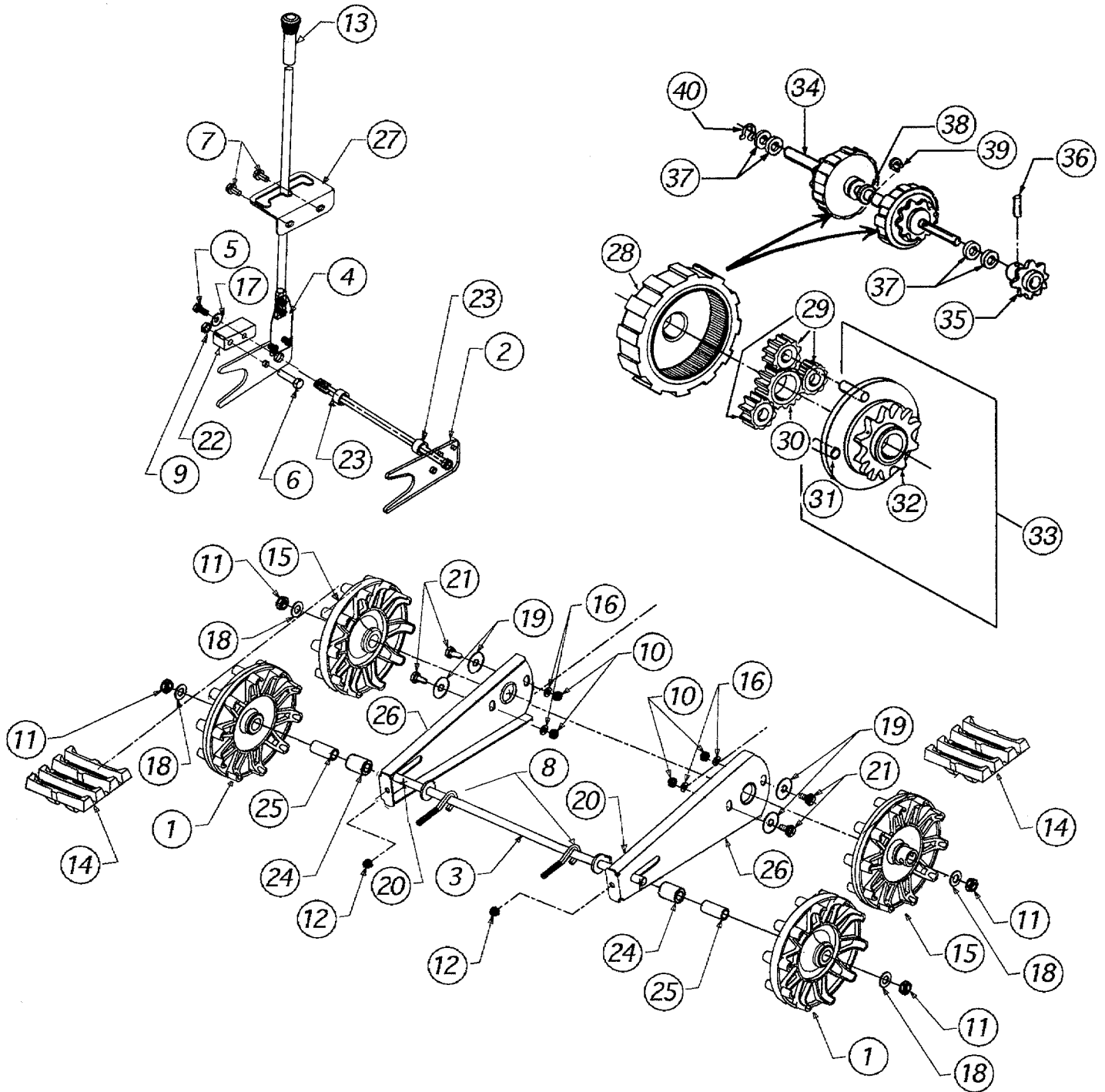


# REPAIR PARTS

## SEARS CRAFTSMAN 7 H.P. SNOW THROWER MODEL 247.885570

KEY NO.	PART NO.	DESCRIPTION	QTY.	KEY NO.	PART NO.	DESCRIPTION	QTY.
1	611-0053	Axle Assembly	2	28	719-0295A	Housing Track	1
2	618-0043	Dog Assembly—R.H.	1	29	725-0157	Cable Tie	2
3	618-0044	Dog Assembly —L.H.	1	30	732-0209	Spring	2
4	618-0169	Shaft Assembly	1	31	732-0264	Spring	1
5	656-0012A	Disc Assembly	1	32	736-0105	Bell Washer	1
6	683-0024	Hub Assembly	2	33	736-0160	Flat Washer	1
7	684-0014A	Shift Rod Assembly	1	34	736-0176	Flat Washer	2
8	684-0021	Bracket Assembly	1	35	736-0242	Bell Washer	4
9	684-0031-0483	Frame Assembly	1	36	736-0270	Bell Washer	2
10	684-0042A	Wheel Assembly Friction	1	37	736-0287	Flat Washer	4
	735-0243	Rubber Only	1	38	738-0924	Shoulder Screw	3
11	710-0118	Screw	4	39	741-0339	Flange Bearing	4
12	710-0599	Screw	2	40	741-0563	Ball Bearing	2
13	710-0602	Screw	8	41	741-0597	Hex Flange Bearing	2
14	710-0604	Screw	4	42	746-0897	Cable-Auger Clutch	1
15	710-0642	Screw	2	43	746-0898	Cable-Drive Clutch	1
16	710-0654A	Screw	4	44	746-0900	Cable with Trigger Lever	2
17	710-0788	Screw	2	45	748-0190	Spacer	1
18	710-0896	Screw	10	46	748-0234	Shoulder Spacer	2
19	710-1233	Screw	2	47	750-0903	Split Spacer	2
20	711-0911	Actuator Shaft	1	48	750-0904	Split Spacer	1
21	711-1042	Drive Shaft	1	49	750-0997	Spacer	1
22	712-0127	Flange Nut	2	50	756-0625	Roller-Cable	3
23	712-0711	Jam Nut	1	51	784-5590	Bracket	1
24	713-0233	Chain -- 1/2 pitch x 30 links	1	52	784-5609-0483	Bracket	1
			1	53	784-5648-0483	Cover-Frame	1
25	713-0413	Sprocket -- 10 tooth	1	54	784-5687-0483	Bracket-Guide	1
26	713-0437	# 420 Chain -- 32 Links	2	55	784-5688-0483	Bracket-Guide	1
27	714-0474	Pin Cotter	1	56	784-5689-0483	Bracket-Guide	1

# REPAIR PARTS





# REPAIR PARTS

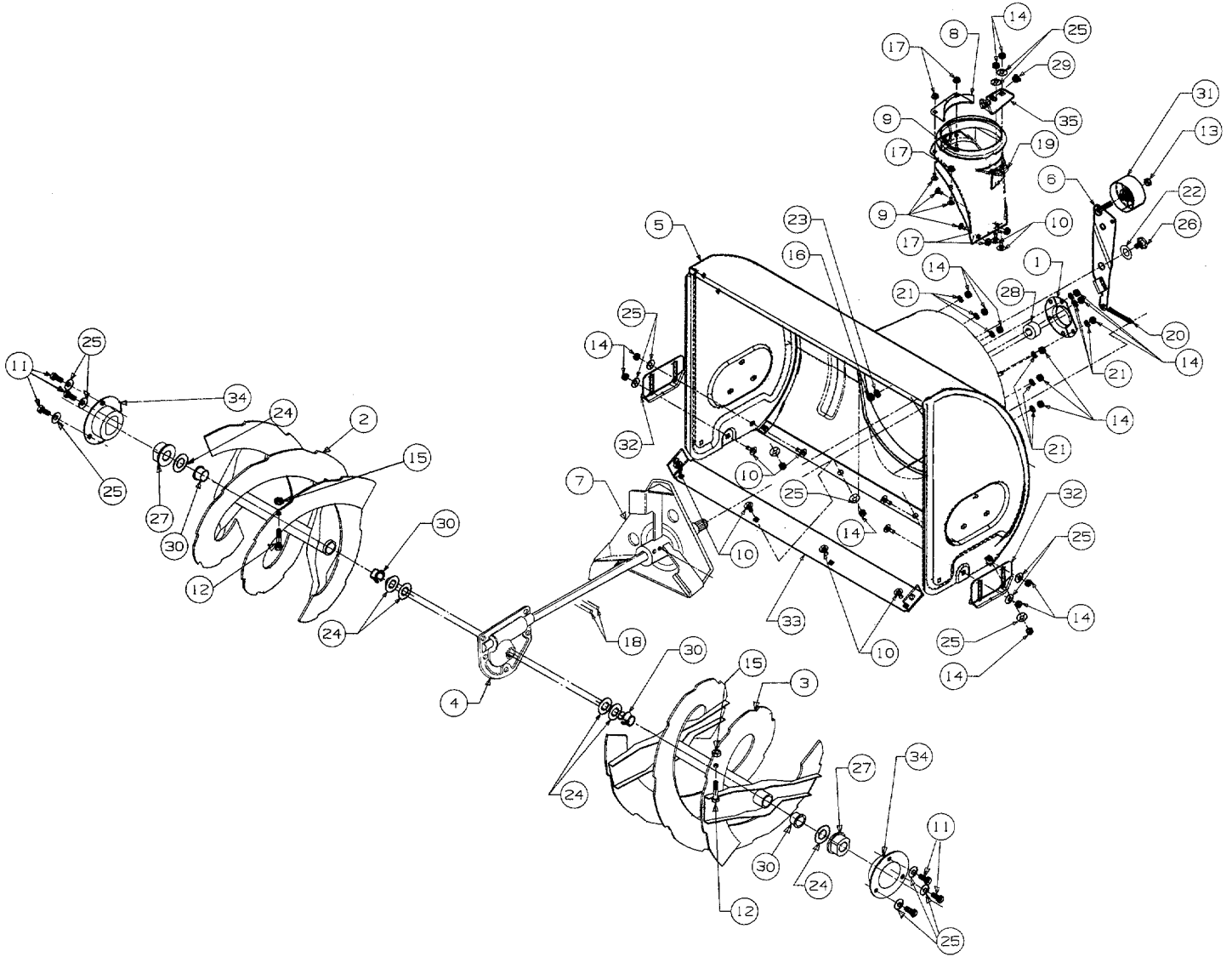
## SEARS CRAFTSMAN 7 H.P. SNOW THROWER MODEL 247.885570

KEY NO.	PART NO.	DESCRIPTION	QTY.	KEY NO.	PART NO.	DESCRIPTION	QTY.
1	631-0032	Wheel Assembly Idler	2	21	738-0140	Shoulder Screw	4
2	684-0009	Rod Track Pivot	1	22	748-0353A	Lift-Shaft Drive	1
3	684-0024	Axle Assembly	1	23	750-0547	Spacer	2
4	684-0038	Handle Assembly	1	24	750-0909	Spacer	2
5	710-0157	Screw	1	25	750-0995	Spacer	2
6	710-0459	Screw	1	26	784-5639-0483	Plate-Track Side	2
7	710-0604	Screw	2	27	784-5642	Plate-Track Lockout	1
8	710-1231	Screw	2	28	717-1211	Gear Ring	2
9	712-0214	Lock Nut	1	29	717-1209	Gear 12-Tooth	6
10	712-0267	Hex Nut	4	30	717-1210	Gear 18-Tooth	2
11	712-0346	Jam Nut	4	31	741-0542	Pin Dowel	6
12	712-0429	Hex Nut	2	32	718-0188	Carrier	2
13	720-0223	Grip	1	33	618-0046	Carrier Assembly	2
14	731-1292	Track	2	34	711-0912	Shaft—Track Drive	1
15	731-1538A	Wheel-Track Drive	2	35	713-0414	Sprocket—13 Tooth	1
16	736-0119	Lock Washer	4	36	715-0120	Spring Pin	1
17	736-0242	Bell Washer	1	37	736-0502	Flat Washer	6
18	736-0272	Flat Washer	4	38	736-0336	Flat Washer	2
19	736-0406	Flat Washer	4	39	716-0115	Snap Ring .625" Shaft	2
20	737-0170	Lubricant		40	716-0114	Snap Ring .56" Shaft	1

### LABELS

KEY NO.	PART NO.	DESCRIPTION	QTY.
1	777-4865	R.H. Traction Control	1
2	777-4866	L.H. Traction Control	1
3	777-4867	Chute Control	1
5	777-4958	Auger Control	1
7	777-3396	Warning	1
8	777-8088B	Danger, Top of Chute	1

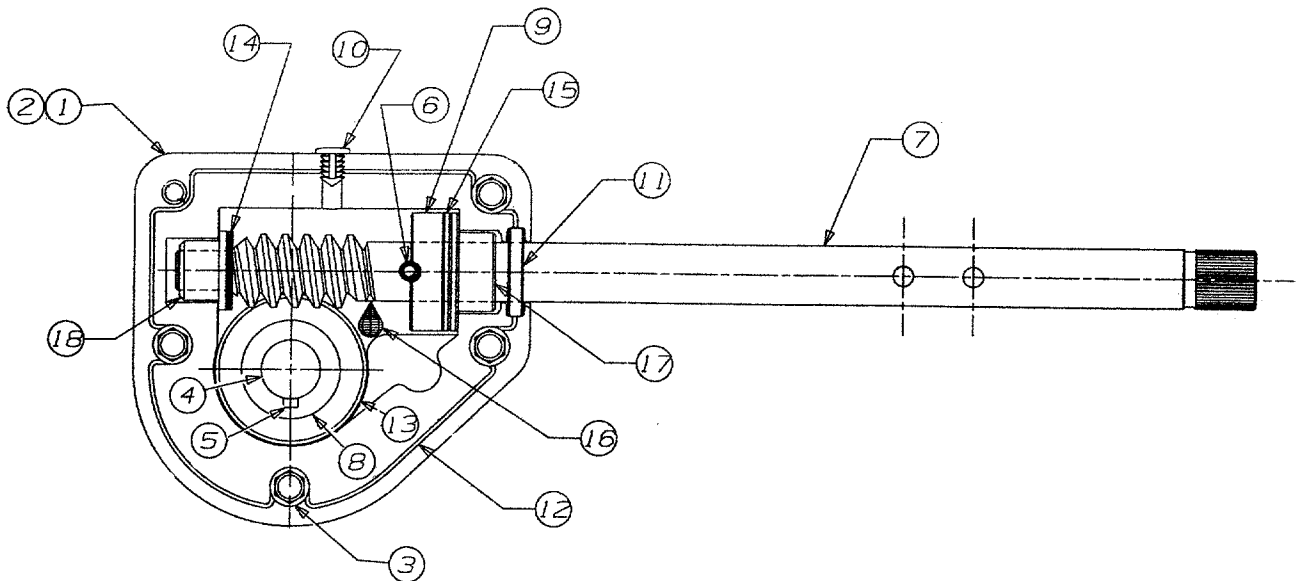
# REPAIR PARTS



# REPAIR PARTS

## SEARS CRAFTSMAN 7 H.P. SNOW THROWER MODEL 247.885570

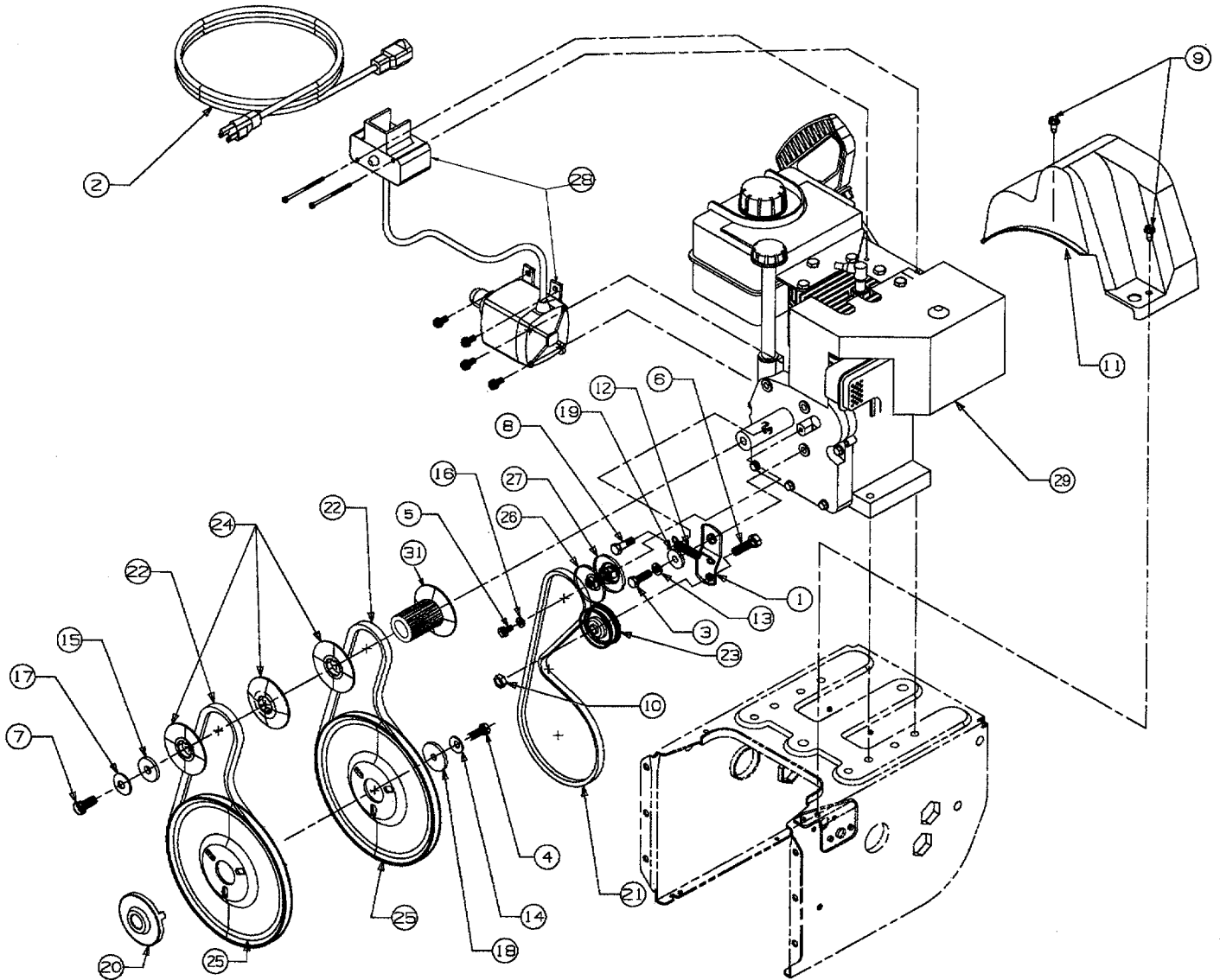
KEY NO.	PART NO.	DESCRIPTION	QTY.	KEY NO.	PART NO.	DESCRIPTION	QTY.
1	05931	Housing-Bearing	1	19	731-1379	Adapter-Chute	1
2	605-5189-0637	Spiral Assembly—L.H.	1	20	732-0611	Spring	1
3	605-5188-0637	Spiral Assembly—R.H.	1	21	736-0119	Lock Washer	9
4	618-0120	Gear Assembly	1	22	736-0167	Flat Washer	1
5	684-0039A-0483	Housing Assembly	1	23	736-0169	Lock Washer	1
6	684-0064	Arm-Idler Assembly	1	24	736-0188	Flat Washer	6
7	684-0065-0637	Impeller Assembly	1	25	736-0242	Bell Washer	16
8	705-5226	Reinforcement-Chute	1	26	738-0281	Shoulder Screw	1
9	710-0167	Carriage Screw	5	27	741-0245	Flange Bearing	2
10	710-0451	Carriage Screw	10	28	741-0309	Ball Bearing	1
11	710-0604	Hex Screw	6	29	741-0475	Plastic Bushing	1
12	710-0890	Shear Bolt	2	30	741-0493A	Flange Bushing	4
13	712-0116	Hex Lock Nut	1	31	756-0178	Flat Idler	1
14	712-0267	Hex Nut	19	32	784-5580-0483	Slide Shoe	2
15	712-0429	Hex Nut	2	33	784-5581A-0483	Shave Plate	1
16	712-0798	Hex Nut	1	34	784-5618	Housing-Bearing	2
17	712-3027	Hex Lock Nut	5	35	784-5647	Bracket-Chute Crank	1
18	715-0114	Pin-Spring	2				



KEY NO	PART NO.	DESCRIPTION	QTY	KEY NO	PART NO.	DESCRIPTION	QTY
1	618-0123-0483	Housing—R.H.	1	10	721-0325	Plug	1
2	618-0124-0483	Housing—L.H.	1	11	721-0327	Seal, Oil	1
3	710-0642	Screw	5	12	721-0328	Loctite 5699, Ultra	
4	711-0908	Axle, Spiral	1	13	736-0351	Washer	2
5	714-0161	Key, Hi-Pro	1	14	736-0369	Washer	4
6	715-0143	Pin, Spiral	1	15	736-0445	Washer	1
7	717-0526	Worm, Shaft	1	16	737-0168	Grease	1
8	717-0528	Gear, Worm	1	17	741-0662	Bearing Flange	1
9	718-0186	Collar, Thrust	1	18	741-0663	Bearing Flange	1

# REPAIR PARTS

## SEARS CRAFTSMAN 7 H.P. SNOW THROWER MODEL NO. 247.885570

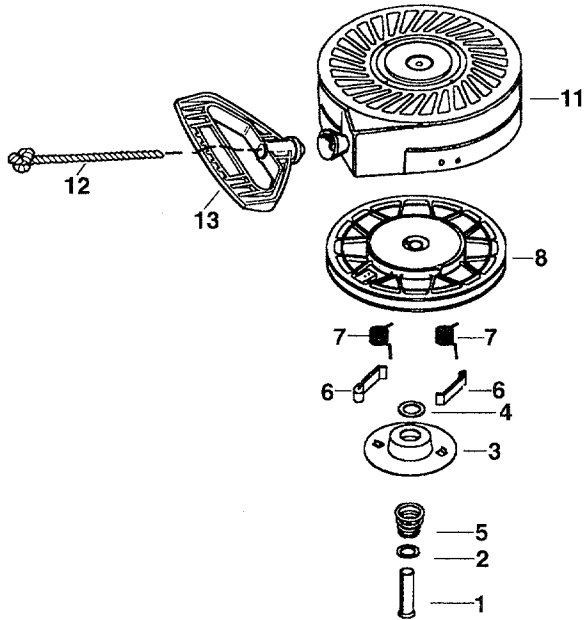


KEY NO.	PART NO.	DESCRIPTION	QTY.	KEY NO.	PART NO.	DESCRIPTION	QTY.
1	05896A	Bracket	1	17	736-0331	Washer	1
2	629-0071	Extension Cord	1	18	736-0505	Washer	1
3	710-0117	Screw	1	19	748-0234	Shoulder Spacer	1
4	710-0157	Screw	1	20	748-0360	Pulley Adapter	1
5	710-0230	Screw	1	21	754-0346	V-Belt	1
6	710-0342	Screw	1	22	754-0430	V-Belt	2
7	710-0696	Screw	1	23	756-0313	Idler, Flat	1
8	710-0888	Screw	1	24	756-0620	Pulley, Half	3
9	710-0896	Screw	2	25	756-0967	Pulley Auger	2
10	712-0181	Hex Nut	1	26	756-0986	Pulley, Half	1
11	731-1324	Belt Cover	1	27	756-0987	Pulley, Half	1
12	732-0710	Spring	1	28	390-985-000	Starter	1
13	736-0119	Washer—Lock	1	29	143.977001	Engine	1
14	736-0242	Washer—Bell	1	30	770-0372M	Owner's Manual (Not Shown)	1
15	736-0247	Flat Washer	1	31	756-0621	Pulley, Half	1
16	736-0329	Lock Washer	1				

# REPAIR PARTS

SEARS CRAFTSMAN 7 H.P. ENGINE MODEL NO. 143.977001

FOR SNOW THROWER MODEL NO. 247.885570

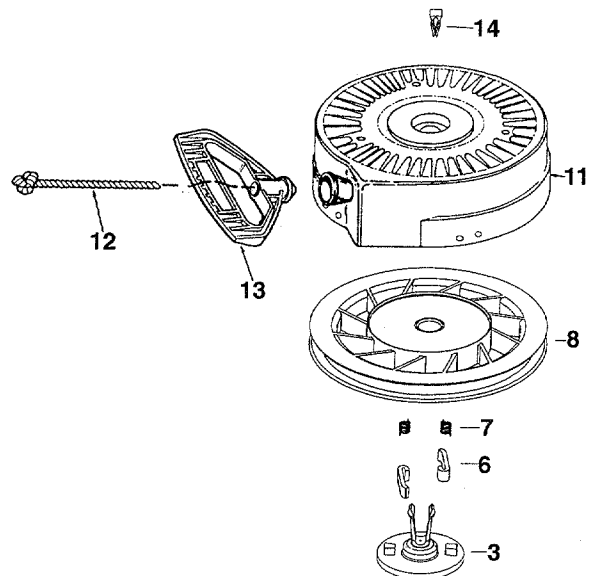


## RECOIL STARTER

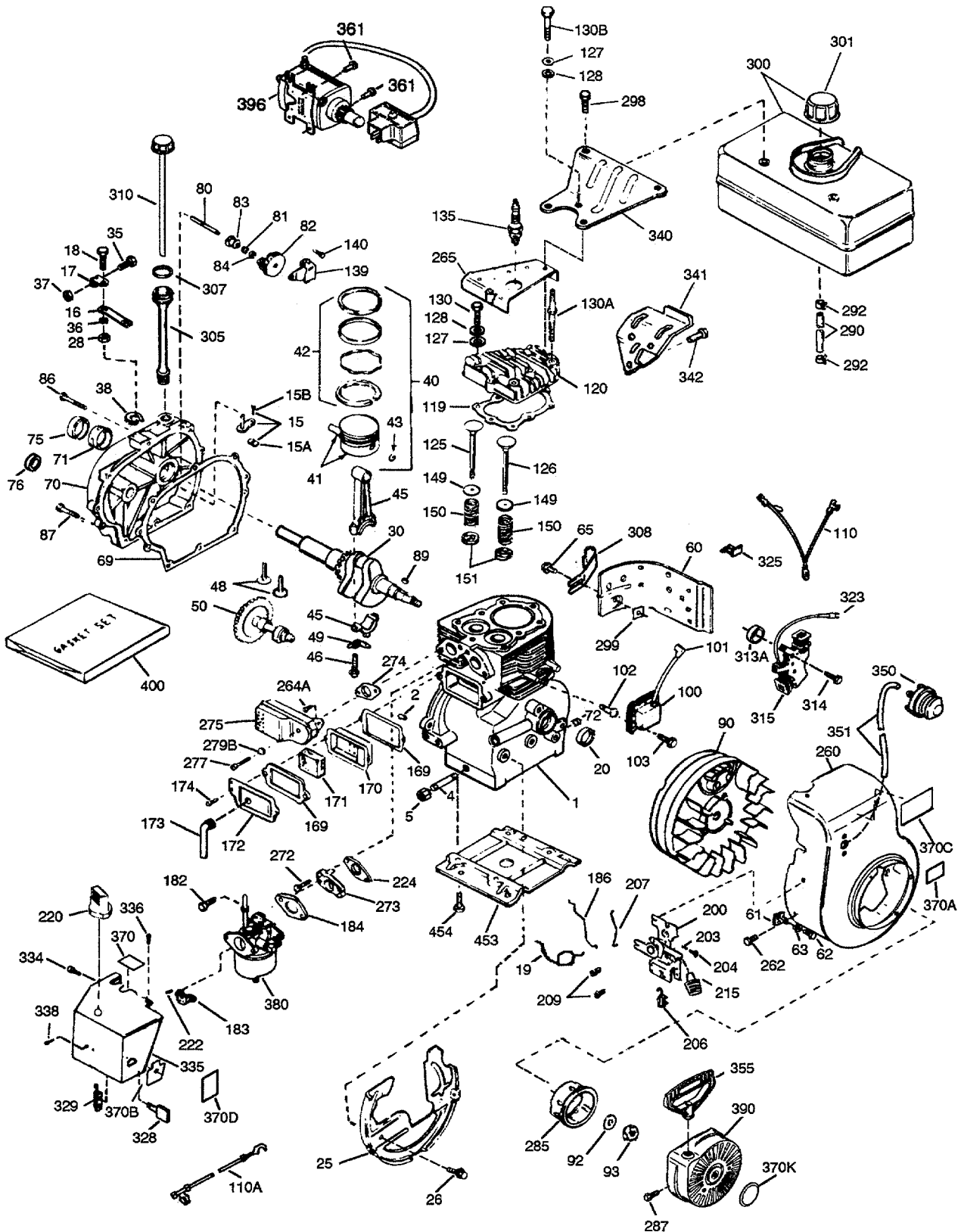
KEY NO.	PART NO.	DESCRIPTION	QTY.
0	590707	Recoil Starter	1
1	590599A	Spring Pin	1
2	590600	Washer	1
3	590696	Retainer	1
4	590601	Washer	1
5	590697	Brake Spring	1
6	590698	Starter Dog	2
7	590699	Dog Spring	2
8	590709	Pulley & Rewind Spring Ass'y.	1
11	590708	Starter Housing Ass'y.	1
12	590535	Starter Rope	1
13	590574	Mitten Grip	1

## RECOIL STARTER (OPTIONAL)

KEY NO.	PART NO.	DESCRIPTION	QTY.
0	590742	Rewind Starter	1
1	590740	Retainer	1
2	590616	Starter Dog	2
3	590617	Dog Spring	2
4	590645A	Pulley & Rewind Spring Ass'y.	1
11	590647	Starter Housing Ass'y.	1
12	590535	Starter Rope	1
13	590574	Mitten Grip	1
14	590741	Locking Tab	1



**SEARS CRAFTSMAN 7 H.P. ENGINE MODEL NO. 143.977001  
FOR SNOW THROWER MODEL NO. 247.885570**



# REPAIR PARTS

**SEARS CRAFTSMAN 7 H.P. ENGINE MODEL NO. 143.977001**

**FOR SNOW THROWER MODEL NO. 247.885570**

KEY NO.	PART NO.	DESCRIPTION	QTY.	KEY NO.	PART NO.	DESCRIPTION	QTY.
1	32586C	Cylinder (Incl. 2 & 20)	1	83	30588A	Governor Spool	1
2	27652	Dowel Pin	2	84	29193	Retaining Ring	1
4	30968	Oil Drain Extension	1	86	650488	Screw, 1/4-20 x 1-1/4"	7
5	30969	Extension Cap	1	87	650493	Screw, 1/4-20 x 1-3/4"	1
15	30699C	Governor Rod (Incl. 15A & 15B)	1	89	32589	Flywheel Key	1
15A	30700	Governor Yoke	1	90	611087	Flywheel	1
15B	650494	Screw, 6-40 x 5/16"	1	92	650815	Belleville Washer	1
16	33454	Governor Lever	1	93	8116	Flywheel Nut	1
17	29916	Governor Lever Clamp	1	100	34443A	Solid State Ignition	1
18	651028	Screw, Torx T-15, 8-32 x 3/8"	1	101	610118	Spark Plug Cover	1
19	34663	Speed Control Spring	1	102	650872	Solid State Mounting Stud	2
20	32630	Oil Seal	1	103	651007	Screw, Torx T-15, 10-24 x 15/16"	2
25	36460	Blower Housing Baffle	1				
26	650561	Screw, 1/4-20 x 5/8"	2	110	35253	Ground Wire	1
28	30322	Lock Nut, 8-32	1	110A	35305	Ground Wire	1
30	36548	Crankshaft	1	119	36453	Cylinder Head Gasket	1
35	29826	Screw, 10-32 x 3/4"	1	120	36446	Cylinder Head (Incl. 3 of 131)	1
36	29918	Lock Washer	1	125	27878A	Exhaust Valve (Std.) (Incl. 151)	1
37	29216	Lock Nut, 10-32	1		27880A	Exhaust Valve (1/32" O.S.) (Incl. 151)	1
38	29642	Retaining Ring	1				
40	34517	Piston, Pin & Ring Set (Std.)	1	126	32783	Intake Valve (Std.) (Incl. 151)	1
	34518	Piston, Pin & Ring Set (.010" O.S.)	1		32784	Intake Valve (1/32" O.S.) (Incl. 151)	1
	34519	Piston, Pin & Ring Set (.020" O.S.)	1	127	650691	Washer	3
41	32592B	Piston & Pin Ass'y. (Std.) (Incl. 43)	1	128	650690	Belleville Washer	3
	32593B	Piston & Pin Ass'y. (.010" O.S.) (Incl. 43)	1	130	650697A	Screw, 5/16-18 x 2-1/2"	3
	32594B	Piston & Pin Ass'y. (.020" O.S.) (Incl. 43)	1	130A	650697A	Screw, 5/16-18 x 2-1/2"	2
				130B	650697A	Screw, 5/16-18 x 2-1/2"	3
				135	33636	Resistor Spark Plug (J8C/356)	1
42	32595	Ring Set (Std.)	1	139	31843A	Governor Gear Bracket	1
	32596	Ring Set (.010" O.S.)	1	140	650965	Screw, Torx T-25, 10-24 x 1/2"	2
	32597	Ring Set (.020" O.S.)	1	149	27882	Valve Spring Cap	2
43	27888	Piston Pin Retaining Ring	1	150	27881	Valve Spring	2
45	32591C	Connecting Rod Ass'y. (Incl. 46 & 49)	2	151	32581	Valve Spring Keeper	2
				169	27896A	Breather Gasket	2
46	650662C	Connecting Rod Bolt	2	170	28423	Breather Body	1
48	34034	Valve Lifter	2	171	28424	Breather Element	1
49	34242	Oil Dipper	1	172	28425	Valve Cover	1
50	36654	Camshaft (MCR)	1	173	35350	Breather Tube	1
60	30622A	Blower Housing Extension	1	174	650128	Screw, 10-24 x 1/2"	2
61	34126	Grommet Mounting Bracket	1	182	650517	Screw, 1/4-20 x 27/32"	2
62	650760	Screw, 8-32 x 3/8"	1	183	32398	Choke Bracket	1
63	28545	Grommet	1	184	31688A	Carburetor to Intake Pipe Gasket	1
65	650128	Screw, 10-24 x 1/2"	1	186	34661	Governor Link	1
69	30684	Cylinder Cover Gasket	1	200	34677	Control Bracket (Incl. 203, 204 & 206)	1
70	31720A	Cylinder Cover (Incl. 71, 75 & 80)	1	203	31342	Compression Spring	1
71	31546	Crankshaft Bushing	1	204	650549	Screw, 5-40 x 7/16"	1
72	27642	Oil Drain Plug	1	206	610973	Terminal	1
75	28427	Oil Seal	1	207	34662	Throttle Link	1
76	28926	Camshaft Seal	1	209	650821	Screw, 10-32 x 1/2"	2
80	31845	Governor Shaft	1	215	35440	Control Knob	1
81	30590A	Washer	1	220	35439	Control Knob	1
82	30591	Governor Gear Ass'y.	1	222	28820	Screw, 10-32 x 1/2"	2
				224	27915A	Intake Pipe Gasket	1

# REPAIR PARTS

**SEARS CRAFTSMAN 7 H.P. ENGINE MODEL NO. 143.977001**

**FOR SNOW THROWER MODEL NO. 247.885570**

Table continued from page 33.

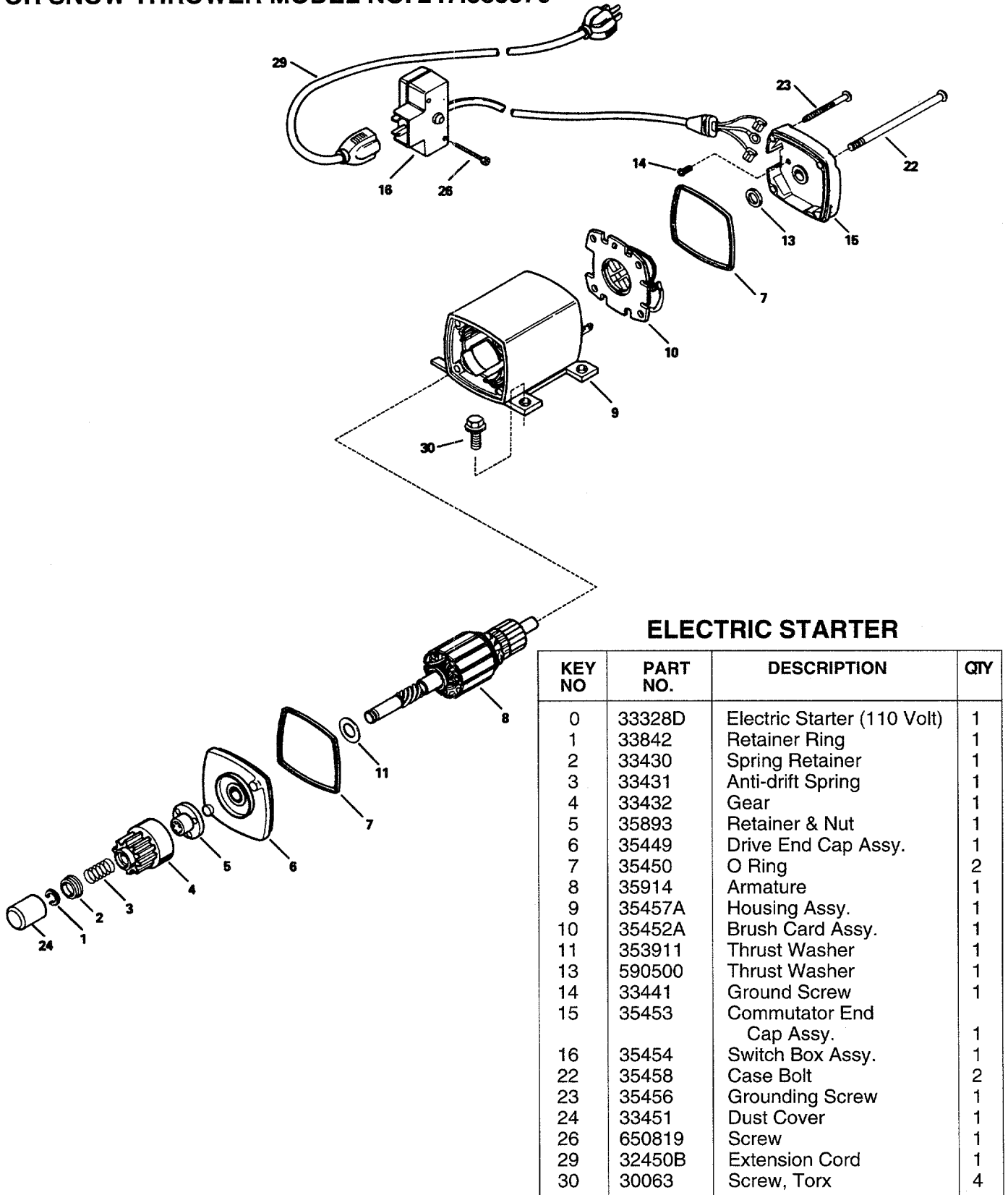
KEY NO.	PART NO.	DESCRIPTION	QTY.	KEY NO.	PART NO.	DESCRIPTION	QTY.
260	35755	Blower Housing	1	335	35060	Carburetor Cover	1
262	29747B	Screw, Torx T-40, 5/16-24 x 21/32"	1	336	650765	Screw, 10-32 x 1/2"	1
			2	338	650760	Screw, 8-32 x 3/8"	1
264A	30196	Screw, 5/16-18 x 3/4"	1	340	34159	Fuel Tank Bracket	1
265	30939A	Cylinder Head Cover	1	341	34158	Fuel Tank Bracket	1
272	30196	Screw, 5/16-18 x 3/4"	2	342	650561	Screw, 1/4-20 x 5/8"	1
273	34712	Carburetor Flange	1	350	570682	Primer Ass'y.	1
274	35865	Exhaust Manifold Gasket	1	351	32180C	Primer Line	1
275	32401	Muffler	1	355	590574	Starter Handle	1
277	650694A	Screw, 5/16-18 x 2"	1	361	650990	Screw, Torx T-30, 1/4-20 x 15/32"	4
279B	26073	Washer	1				
285	35287B	Starter Cup	1	370	34414	Warning Decal	1
287	650926	Screw, 8-32 x 21/64"	3	370A	36261	Instruction Decal	1
290	30962	Fuel Line	1	370B	34418	Warning Decal	1
292	26460	Fuel Line Clamp	4	370C	36501	Primer Decal	1
298	650665	Screw, 1/4-15 x 3/4"	2	370D	35063	Instruction Decal	1
299	650764	"U" Type Nut	1	370K	36695	Starter Decal	1
300	34186A	Fuel Tank (Incl. 292 & 301)	1	380	632371A	Carburetor (Incl. 184)	1
301	35355	Fuel Cap	1	390	590707	Rewind Starter	1
305	35554	Oil Fill Tube	1			(Note: This engine could have been built with 590742 starter. Refer to the design of the rope pulley strength ribs for part identification. Individual starter parts do not interchange. Refer to service bulletin number 518.)	
307	35499	"O" Ring	1				
308	35540	Fill Tube Clip	1				
310	36205	Dipstick	1				
313A	35189	Spacer	1	396	33328D	Electric Starter Motor (110 Volt)	1
314	650873	Screw, 1/4-20 x 3/4"	1				
315	611111	Alternator Coil (18 Watt) (Incl. 323)	1	400	36454	Gasket Set	1
323	611118	Terminal	1			Incl. part no.'s 27272A (1), 27896A (2), 27915A (1), 30684 (1), 31688A (1), 35865 (1), 36453 (1)	
325	29443	Wire Clip	1				
328	35593	Ignition Keys	2				
329	610973	Terminal	1	453	36705	Engine Mounting Base	1
334	650257	Screw, 8-32 x 5/16"	2	454	650542	Screw, 5/16-18 x 3/4"	4



# REPAIR PARTS

SEARS CRAFTSMAN 7 H.P. ENGINE MODEL NO. 143.977001

FOR SNOW THROWER MODEL NO. 247.885570



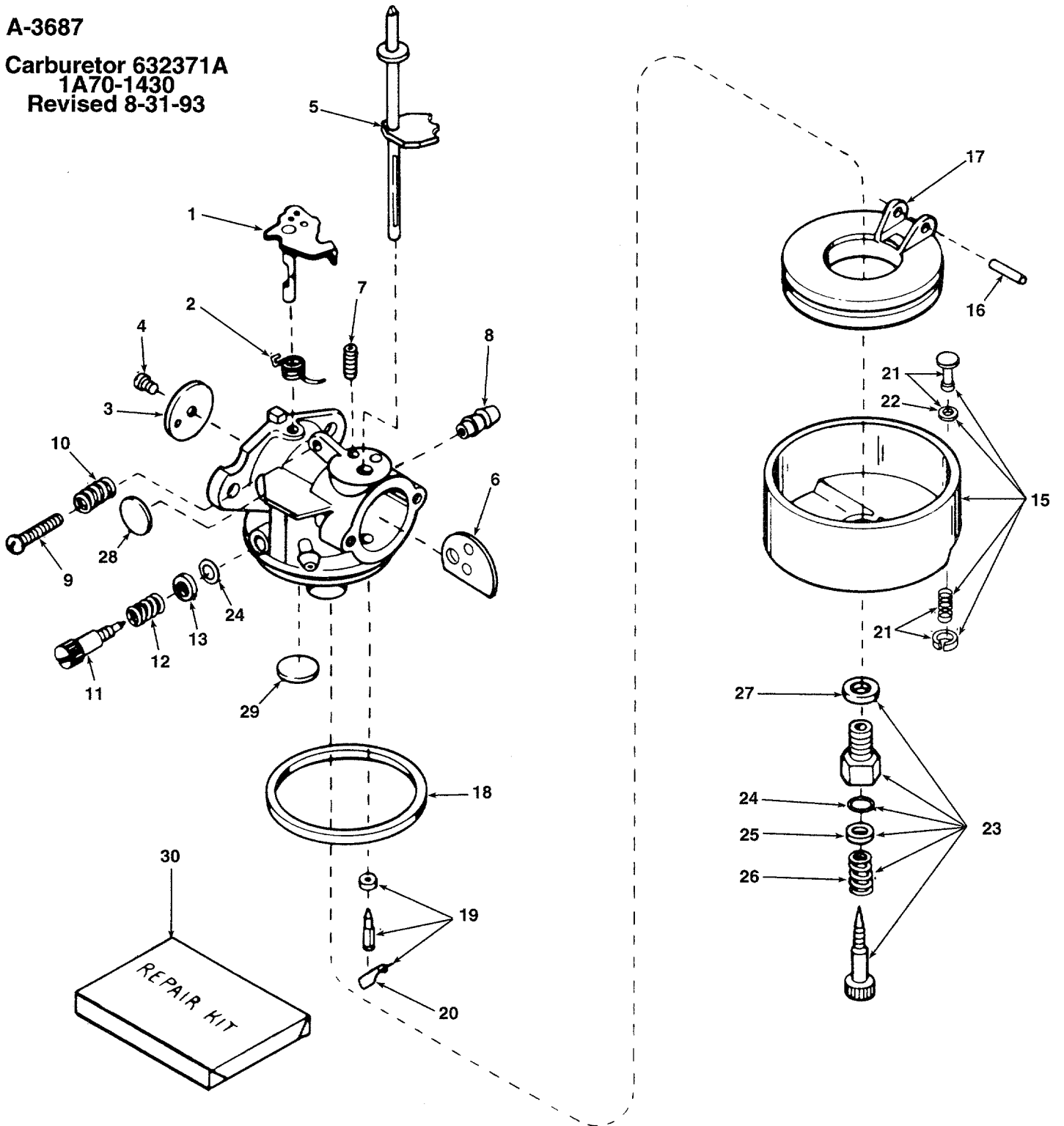
## ELECTRIC STARTER

KEY NO	PART NO.	DESCRIPTION	QTY
0	33328D	Electric Starter (110 Volt)	1
1	33842	Retainer Ring	1
2	33430	Spring Retainer	1
3	33431	Anti-drift Spring	1
4	33432	Gear	1
5	35893	Retainer & Nut	1
6	35449	Drive End Cap Assy.	1
7	35450	O Ring	2
8	35914	Armature	1
9	35457A	Housing Assy.	1
10	35452A	Brush Card Assy.	1
11	353911	Thrust Washer	1
13	590500	Thrust Washer	1
14	33441	Ground Screw	1
15	35453	Commutator End Cap Assy.	1
16	35454	Switch Box Assy.	1
22	35458	Case Bolt	2
23	35456	Grounding Screw	1
24	33451	Dust Cover	1
26	650819	Screw	1
29	32450B	Extension Cord	1
30	30063	Screw, Torx	4

# REPAIR PARTS

A-3687

Carburetor 632371A  
1A70-1430  
Revised 8-31-93



# REPAIR PARTS

SEARS CRAFTSMAN 7 H.P. ENGINE MODEL NO. 143.977001

FOR SNOW THROWER MODEL NO. 247.885570

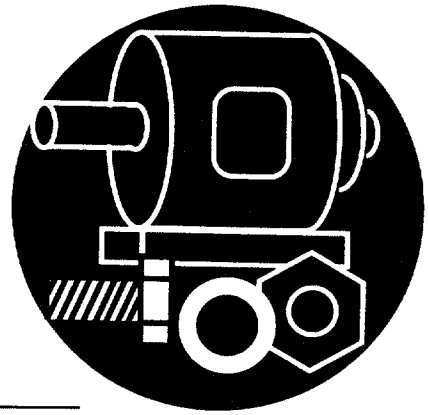
## CARBURETOR

REF. NO.	PART NO.	DESCRIPTION	QTY.
0	632371A	Carburetor	1
1	31834	Throttle Shaft & Lever Assy	1
2	631767	Throttle Return Spring	1
3	631036	Throttle Shutter	1
4	650506	Shutter Screw	1
5	632373	Choke Shaft	1
6	632372	Choke Shutter	1
7	630735	Choke Positioning Spring	1
8	632164	Fuel Fitting	1
9	650417	Throttle Crack Screw	1
10	630766	Tension Spring	1
11	631838	Idle Mixture Screw	1
12	630766	Tension Spring	1
13	630739	Idle Mixture Screw	1
14	630740	O Ring	1
15	631951	Float Bowl Assy.	1
16	631024	Float Shaft	1
17	632019	Float	1
18	631028	O Ring	1
19	631021	Inlet Needle, Seat & Clip	1
20	631022	Spring Clip	1
21	27136a	Bowl Drain Assy.	1
22	27554	Drain Plunger Gasket	1
23	31839	Adj. Screw Assy.	1
24	630740	O Ring	1
25	630739	Washer	1
26	630738	Tension Spring	1
27	27110	Bowl Nut Washer	1
28	630748	Welch Plug, Idle Mixture Well	1
29	631027	Welch Plug, Atmospheric Vent	1
30	31840	Repair Kit	1

For the repair or replacement parts you need  
delivered directly to your home  
Call 7 am - 7 pm, 7 days a week

**1-800-366-PART**

(1-800-366-7278)



For in-home major brand repair service

Call 24 hours a day, 7 days a week

**1-800-4-REPAIR**

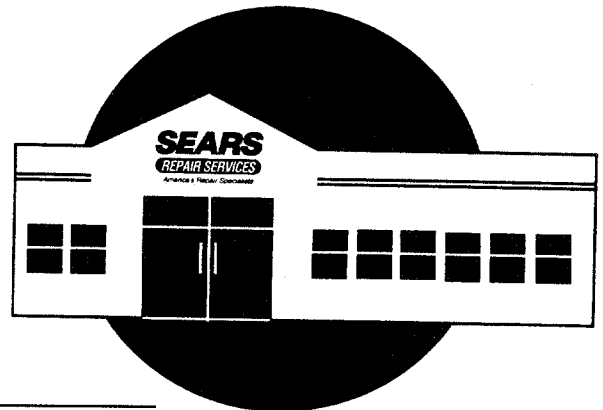
(1-800-473-7247)



For the location of a  
Sears Parts and Repair Center in your area

Call 24 hours a day, 7 days a week

**1-800-488-1222**



For information on purchasing a Sears  
Maintenance Agreement or to inquire

about an existing Agreement

call 9 am - 5 pm, Monday-Saturday

**1-800-827-6655**



**SEARS**  
**REPAIR SERVICES**  
*America's Repair Specialists*

# **SEARS** Manual Del Propietario

## **CRAFTSMAN<sup>®</sup>**

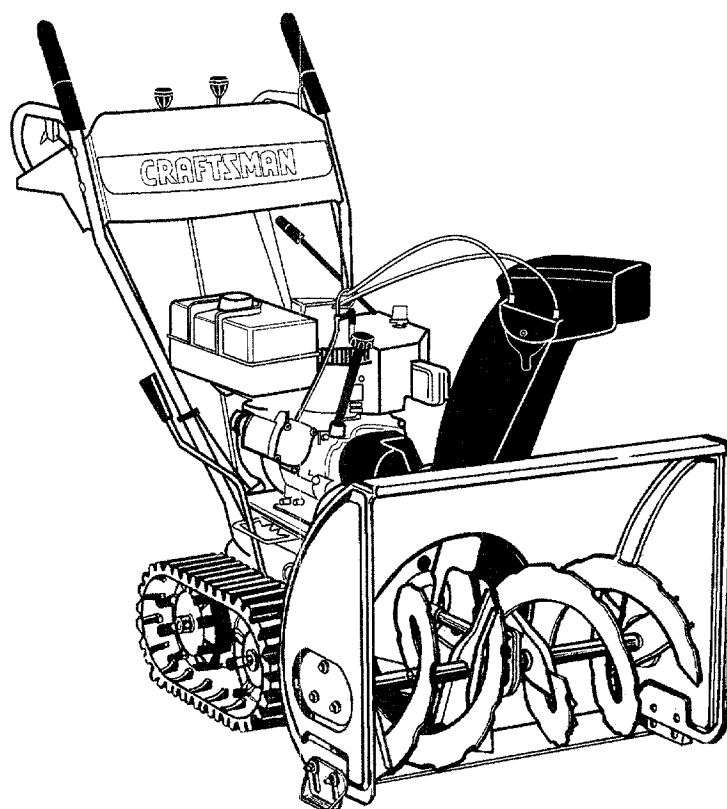
### **EXPULSOR DE NIEVE**

### **7 CABALLOS DE FUERZA**

### **PROPULSION DE ORUGA DE DOS ETAPAS DE 24"**

No. De Modelo

**247.885570**



**Precaución:** Lea y siga todas las reglas e instrucciones de seguridad antes de operar este equipo.

**Sears, Roebuck And Co., Hoffman Estates, IL 60179 USA**

**770-0372M 8/96  
(R960823)**

# TABLA DE CONTENIDO

Garantía .....	1	Responsabilidades del cliente.....	15
Operación segura .....	2	Ajuste .....	18
Paquete de ferretería.....	4	Almacenamiento fuera de temporada .....	19
Ensamblado.....	5	Localización de fallas .....	20
Operación.....	9	Piezas de repuesto .....	21
Mantenimiento.....	14		

## GARANTIA DE INFORMACION

### GARANTIA LIMITADA DE UN AÑO PARA EL EXPULSOR DE NIEVE CRAFTSMAN

Por un año desde la fecha de compra cuando este expulsor de nieve Craftsman sea mantenido, lubricado y puesto a punto de acuerdo con las instrucciones de operación y mantenimiento en el manual del propietario, Sears reparará libre de costo cualquier defecto de material o de mano de obra.

Esta garantía se aplica por 30 días solamente a partir de la fecha de compra, si el expulsor de nieve se usa para fines comerciales o de alquiler.

#### Esta garantía no cubre:

Artículos desechables que se desgastan durante el uso normal, tales como zapatas deslizantes, placa raspadora y bujías.

Reparaciones necesarias a causa de abuso o negligencia por parte del operador, incluyendo cigüeñales doblados y la falla en mantener el equipo de acuerdo con las instrucciones contenidas en el manual del propietario.

EL SERVICIO DE GARANTIA ESTA DISPONIBLE SI SE DEVUELVE EL EXPULSOR DE NIEVE CRAFTSMAN AL CENTRO/DEPARTAMENTO DE SERVICIO DE SEARS MAS CERCANO EN LOS ESTADOS UNIDOS.

**Esta garantía se aplica solamente mientras este producto esté en uso en los Estados Unidos.**

Esta garantía le otorga derechos legales específicos y usted puede también tener otros derechos que varían de Estado a Estado.

SEARS, ROEBUCK AND CO. DEPT. D817WA, HOFFMAN STATES, IL 60179

## ESPECIFICACIONES DEL PRODUCTO

Caballos de fuerza:	7 h.p.
Desplazamiento:	15.04 pies.cub.
Capacidad de combustible:	4 cuartos
Bujía	J-8C o equivalente
Separación del encendido:	.0125"
Motor	MODELO 143.977001

Numero De Modelo: 247.885570

Numero De Serie:

Fecha De Compra:

Los numeros de modelo y de serie se encuentran en el rotulo pegado al amazon del expulsor de nieve.

Usted deberia registrar el numero de serie y la fecha de compra y guardarlos en un lugar seguro para referencia futura.

# PRACTICAS SEGURAS DE OPERACION



**ESTE SIMBOLO INDICA INSTRUCCIONES IMPORTANTES DE SEGURIDAD LAS CUALES, SI NO SE SIGUEN, PUEDEN PONER EN PELIGRO LA SEGURIDAD PERSONAL Y/O LA PROPIEDAD SUYA Y AJENA. ANTES DE INTENTAR OPERAR SU EXPULSOR DE NIEVE LEA Y SIGA TODAS LAS INSTRUCCIONES EN ESTE MANUAL. LA FALTA DE CUMPLIMIENTO CON ESTAS INSTRUCCIONES PUEDE RESULTAR EN LESIONES PERSONALES.**



**ADVERTENCIA:** Esta unidad está equipada con un motor de combustión interna y no debe usarse en o cerca de tierras no mejoradas cubiertas de bosques, matorrales, y/o hierbas, a menos que el sistema de escape esté equipado con un supresor de chispas que cumpla con las leyes del estado o federales aplicables (de existir), si se usa un supresor de chispas debe ser mantenido en buenas condiciones de trabajo por el operador. En el Estado de California lo indicado arriba es requerido por ley (Sección 4442 del Código de Recursos Públicos de California). Otros Estados pueden tener leyes similares. Las leyes federales se aplican en las tierras federales. Está disponible un supresor de chispas para el silenciador en su Centro de Servicio Autorizado Sears más cercano (Vea la sección de PIEZAS DE REPUESTO de este manual).

## ENTRENAMIENTO

- Lea cuidadosamente en su totalidad esta guía del propietario antes de tratar de ensamblar u operar esta máquina. Familiarícese completamente con los controles y el uso correcto de esta máquina antes de operarla. Mantenga este manual en un lugar seguro para referencia futura y regular y para ordenar piezas de repuesto.
- Nunca permita que niños menores de 14 años operen un expulsor de nieve. Los niños de 14 años y mayores deben operar el expulsor de nieve bajo una supervisión paterna estricta. Debe permitirse el uso de su expulsor de nieve a las personas bien familiarizadas con estas reglas de operación segura solamente.
- Nadie que esté intoxicado o que esté tomando medicinas que debiliten los sentidos o las reacciones debe operar esta unidad.
- Mantenga el área de operación despejada de todas las personas, especialmente niños pequeños y animales domésticos.
- Sea precavido para evitar resbalar o caer, especialmente al operar en marcha de retroceso.

## PREPARACION

- Inspeccione completamente el área donde se usará el equipo y retire todos los felpudos, trineos, tablas, cables y otros objetos extraños.
- Desenganche todos los embragues y cambie a neutro antes de arrancar el motor.
- No opere el equipo sin usar ropas externas de invierno adecuadas. No use joyas, bufandas largas ni otras ropas holgadas que podrían enredarse en las piezas móviles. Use calzado que mejore la firmeza de su paso sobre superficies resbaladizas.
- Apague todos los cigarrillos y otras fuentes de encendido, antes de trabajar con gasolina. Inspeccione el combustible antes de arrancar el motor. La gasolina es un combustible extremadamente inflamable. No llene el tanque de gasolina bajo techo, mientras esté funcionando el motor, o hasta que se haya permitido que el motor se enfríe durante dos minutos por lo menos. Antes de arrancar el motor, vuelva a colocar seguramente la tapa de gasolina y limpie toda la gasolina derramada, ya que de lo contrario puede causarse un incendio o una explosión.
- Para todas las unidades con motores de propulsión eléctrica o con motores de arranque eléctrico use un enchufe de tres cables conectado a tierra.
- Ajuste la altura del armazón colector para despejar una superficie de pedregullo o roca triturada.
- Nunca trate de efectuar ajustes mientras el motor está funcionando (excepto donde se recomiende específicamente por el fabricante).

- Antes de comenzar a despejar la nieve, permita que el motor y la máquina se ajusten a la temperatura exterior.
- Durante la operación o mientras efectúa un ajuste o reparación, use siempre lentes de seguridad o protectores de ojos, para proteger los ojos contra objetos extraños que puedan ser despedidos por la máquina en cualquier dirección.

## OPERACION

- No coloque las manos ni los pies cerca o debajo de piezas giratorias. Manténgase alejado en todo momento de la abertura de descarga y de la hélice.
- Sea muy precavido al operar o cruzar sobre entradas de pedregullo, senderos o caminos. Permanezca alerta por riesgos ocultos o tráfico.
- No transporte pasajeros.
- Después de golpear un objeto, apague el motor, extraiga el cable de la bujía, e inspeccione completamente el expulsor de nieve por averías. Antes de volver a arrancar y operar el expulsor de nieve, repare las averías.
- Si el expulsor de nieve comienza a vibrar anormalmente, apague el motor e inspeccione inmediatamente por la causa. La vibración es generalmente una advertencia de problemas.
- Apague el motor siempre que deje la posición operativa, antes de destapar el armazón del colector/propulsor o la guía de descarga, y efectuar reparaciones, ajustes, o inspecciones. Nunca coloque su mano en las aberturas de descarga o de colecta. Use un palo o un mango de madera de escobillón para destapar la abertura de descarga.
- Tome todas las precauciones posibles al dejar la unidad desatendida. Desenganche el colector/propulsor, cambie a neutro, arranque el motor, y extraiga la llave.
- Al limpiar, reparar o inspeccionar, asegúrese que se hayan detenido el colector/propulsor y todas las piezas móviles. Desconecte el cable de la bujía y manténgalo alejado de la bujía para prevenir un arranque accidental.
- No haga funcionar el motor bajo techo, excepto cuando arranque el motor y cuando transporte el expulsor de nieve dentro o fuera del edificio. Abra las puertas. Los humos de escape son peligrosos.
- No despeje nieve a través de la superficie de pendientes. Al cambiar de dirección en las pendientes sea muy precavido. No intente despejar pendientes muy pronunciadas.
- Nunca opere el expulsor de nieve sin que las guardas, placas, u otros mecanismos protectores de seguridad, estén en su lugar.
- Nunca opere el expulsor de nieve cerca de cerramientos de vidrio, automóviles, marcos de las ventanas, caídas, etc. sin el ajuste correcto del ángulo de descarga del expulsor de nieve. Mantenga alejados a los niños y a los animales domésticos.

- No intente sobrecargar la capacidad de la máquina intentando despejar la nieve a una velocidad demasiado elevada. Nunca opere la máquina a altas velocidades de transporte sobre superficies resbalosas. Mire hacia atrás y sea precavido al retroceder.
- Nunca dirija la descarga hacia los observadores ni permita que nadie se pare delante de la unidad.
- Cuando transporte o no esté en uso desconecte la potencia al colector/propulsor.
- Use sólo aditamentos y accesorios aprobados por el fabricante del expulsor de nieve (tales como pesos de la rueda, contrapesos, cables, etc.)
- Nunca opere el expulsor de nieve sin buena visibilidad o luz. Siempre esté seguro de su equilibrio y sujete bien los mangos. Camine, nunca corra.
- El silenciador y el motor se calientan y pueden causar una quemadura. No los toque.
- Si el expulsor de nieve va a ser almacenado durante un período prolongado de tiempo, refiérase siempre a las instrucciones en la guía del propietario para detalles importantes.
- Haga funcionar la máquina por unos pocos minutos después de expeler la nieve, para prevenir la congelación de colector/propulsor.
- Inspeccione periódicamente los controles del embrague para verificar que se enganchen y desenganchen adecuadamente y reajuste si fuera necesario. Para las instrucciones de ajuste refiérase a la guía del propietario.

## MANTENIMIENTO Y ALMACENAMIENTO

- Inspeccione los pernos de corte, pernos de montaje del motor, etc., a intervalos frecuentes para un ajuste correcto para asegurarse que el equipo esté en una condición segura de trabajo.
- Nunca almacene la máquina con combustible en el tanque de combustible dentro de un edificio donde estén presentes las fuentes de encendido, tales como calentadores de agua y ambiente, secadoras de ropa, y similares. Permita que el motor se enfríe antes de almacenar en cualquier recinto.



**BUSQUE ESTE SIMBOLO PARA INDICAR- PRECAUCIONES IMPORTANTES DE SEGURIDAD. ¡¡¡SIGNIFICA - ATENCION!!! ¡¡¡ESTE ALERTA!!! ESTA EN JUEGO SU SEGURIDAD.**

Estos símbolos figuran en su unidad. Aprenda y entienda su significado, y sígalos para asegurar la operación segura de su expulsor de nieve Sears.



*Fast*



*Regulador en OFF*



*Llave de encendido*



*Regulador*



*Inserte para funcionar*



*Lento*



*Regulador en FULL*






*Extraiga para apagar*

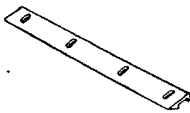

## ACCESORIOS DEL EXPULSOR DE NIEVE

Estos accesorios estaban disponibles cuando se compró el expulsor de nieve. Están también disponibles en la mayoría de las tiendas minoristas de Sears y centros de catálogos y servicio. Cuando usted provea el número de modelo de su expulsor de nieve, la mayoría de las tiendas de Sears pueden ordenar piezas de repuesto para usted.

### MOTOR

<p><b>Aceite de dos tiempos</b></p> 	<p><b>Recipiente de gasolina</b></p> 	<p><b>Bujía</b></p> 
---	--	---

### MANTENIMIENTO DEL EXPULSOR DE NIEVE

<p><b>Barra raspadora</b></p> 	<p><b>Correa</b></p> 
--	--



# PAQUETE DE FERRETERIA

Despliegue la ferretería de acuerdo con la ilustración para fines de identificación. Las piezas están ilustradas a la mitad de su tamaño aproximadamente. Los números de pieza se muestran entre paréntesis.

(El paquete de ferretería puede contener artículos adicionales que no se usan en su unidad)

### A FIJACION DEL CONJUNTO DEL MANGO

**Pernos hexagonales** 5/16-18x1-3/4" de largo (710-3180)

**Pernos hexagonales** 5/16-18x1-3/4" de largo (710-0118)

**Arandelas de seguridad** D.I. 5/16" (736-0119)

**Aletas del mango** (784-5599)

**Pernos del carro** 5/16-18x1-1/2" de largo (710-1250)

**Arandelas acopadas** D.I. 5/16" (736-0242)

**Tuercas hexagonales** Rosca de 5/16-18 (712-0267)

**Tornillos de cabeza hexagonal** 1/4-20x3/4" de largo (710-3051)  
Vea la nota de abajo.

**Contratuercas hexagonales** Rosca de 1/4-20 (712-3027)

### B FIJACION DEL CONJUNTO DE LA CANALETA

**Tornillos de cabeza hexagonal** 1/4-20x3/4" de largo (710-3051)  
Vea la nota de abajo.

**Contratuercas hexagonales** Rosca de 1/4-20 (712-3027)

**Guardas de la brida de la canaleta** (731-0851A)

### C FIJACION DE LA MANIVELA DE LA CANALETA

**Arandelas planas** 3/8" D.I. x 5/8" D.E. (736-0140)

**Perno hexagonal** 5/16-18 x 1-1/2" de largo (710-0442)

**Arandela de seguridad** 5/16" D.I. (736-0119)

**Tuerca hexagonal** 5/16-18 de rosca (712-0267)

**Broche de cabello** (714-0104)

### D FIJACION DE LA VARA DE CAMBIO Y DE LOS CABLES DEL EMBRAGUE

**Casquillo** (711-0677)

**Broches de cabello** (714-0104)

**Arandelas planas** 3/8" D.I. x 5/8" D.E. (736-0264)

**Arandela del resorte** 5/16" D.I. (736-0271)

### F TUERCAS DE CORTE DE LA HELICE

Las hélices están fijados al eje en espiral con dos pernos hexagonales y las contratuercas hexagonales de inserción. Si usted golpea un objeto extraño o se atasca con hielo, el expulsor de nieve está diseñado de manera que los pernos hexagonales se cortarán. Para su conveniencia se proveen dos pernos y tuercas hexagonales. Almacene en un lugar seguro hasta que se necesiten.

**Pernos hexagonales** 5/16-18 x 1-1/2" de largo (710-0890A)

**Contratuercas hexagonales** (712-0429)

**Nota:** Se usan seis de los tornillos de cabeza hexagonal y seis de las contratuercas hexagonales para fijar las guardas de la brida de la canaleta al armazón del ventilador. Los dos tornillos restantes se necesitan SOLAMENTE si el expulsor de nieve tiene los mangos curvos.

# ENSAMBLADO

**IMPORTANTE:** Esta unidad ha sido despachada sin gasolina ni aceite. Después del ensamblado, vea la sección de operaciones de este manual para las recomendaciones sobre combustible y aceite de motor apropiados.

**NOTA:** Para determinar los lados derecho e izquierdo de su expulsor de nieve, párese detrás en la posición operativa normal.

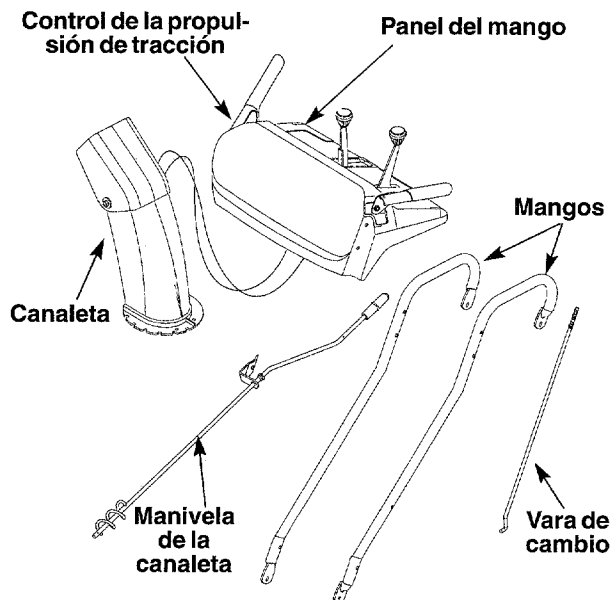


FIGURA 1

## EXTRACCION DE LA UNIDAD DE LA CAJA

- Corte las esquinas de la caja.
- Extraiga todas las inserciones de empaque.
- Ruede el expulsor de nieve fuera de la caja.
- Antes de descartar la caja, asegúrese que se hayan extraído todas las piezas y la literatura.

## PIEZAS SUELTAS EN LA CAJA

- (1) Panel del mango y conjunto de la canaleta (fijado por cable)
- (1) Mango del lado derecho
- (1) Mango del lado izquierdo
- (1) Conjunto de la manivela de la canaleta
- (1) Vara de cambio

**NOTA:** Extraiga la canaleta de la caja y colóquela sobre el tope del motor. No desempaquete la canaleta hasta que haya instalado el panel del mango, los cables del embrague y la cubierta de la correa.

## HERRAMIENTAS REQUERIDAS

- Llave de 1/2"
- Llave de 7/16" o llaves ajustables
- Par de tenazas
- Juego de destornilladores

## PAQUETE DE FERRETERIA

Despliegue la ferretería de acuerdo con las ilustraciones y números de pieza listados en la página 4. Identifíquelos con las tareas específicas en la sección de Ensamblado.

## PREPARACION DE SU EXPULSOR DE NIEVE



**ADVERTENCIA:** Antes de ensamblar el expulsor de nieve, asegúrese que el cable de la bujía esté desconectado y que esté alejado de la bujía.

## FIJACION DEL CONJUNTO DEL MANGO

- Estire los cables de control y coloque sobre el piso.
- Coloque el mango derecho en posición con el lado plano contra el expulsor de nieve. Usted puede identificar el mango derecho por la etiqueta de control del propulsor de tracción sobre el mismo, y el mango izquierdo por la etiqueta de control del embrague de la hélice sobre el mismo.
- Asegure los orificios del fondo del mango al expulsor de nieve usando pernos hexagonales de 5/8" de largo y arandelas de seguridad. No ajuste en este momento.

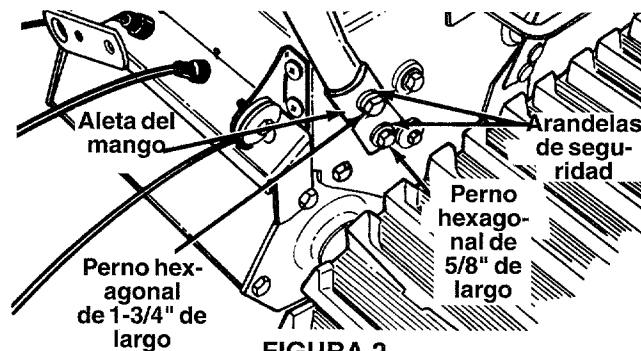


FIGURA 2

- Coloque las aletas del mango sobre los orificios superiores en el mango, de manera que la curva en la aleta del mango corresponda con la curva en los mangos.
- Asegure el expulsor de nieve usando pernos hexagonales de 1-3/4" de largo y arandelas de seguridad. No ajuste en este momento.
- Fije el mango izquierdo de la misma manera. No ajuste en este momento.
- Coloque el panel del mango en posición entre los mangos.

Por favor coloque en posición el panel del mango entre los mangos, de manera que los extremos del mango pasen a través de las ranuras del panel del mango.

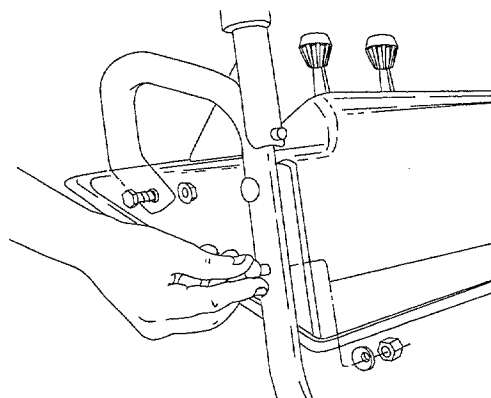


FIGURA 3

- Alinee los orificios en el mango con los orificios a los dos lados del panel del mango.
- Asegure la parte posterior del panel del mango con dos pernos hexagonales y las tuercas de la brida. Vea la figura 3.
- Asegure con los cuatro pernos del carro, arandelas acopadas (lado acopado contra el panel del mango) y tuercas hexagonales según se muestra en la figura 3. Alinee el contorno del cabezal del perno transportador con el mango.
- Ajuste toda la ferretería floja en el conjunto del mango — primero los pernos hexagonales al fondo del mango, a continuación los pernos transportadores y finalmente los pernos hexagonales en la parte posterior del panel del mango.

#### FIJACION DEL CONJUNTO DE LA CANALETA

**NOTA:** Asegúrese que los cables de la canaleta estén enderezados mientras está ensamblando la canaleta.

- Coloque el conjunto de la canaleta sobre la abertura de la canaleta, con la abertura en el conjunto de la canaleta enfrentando la parte delantera de la unidad.
- Coloque las guardas de la brida de la canaleta debajo del reborde del conjunto de la canaleta.

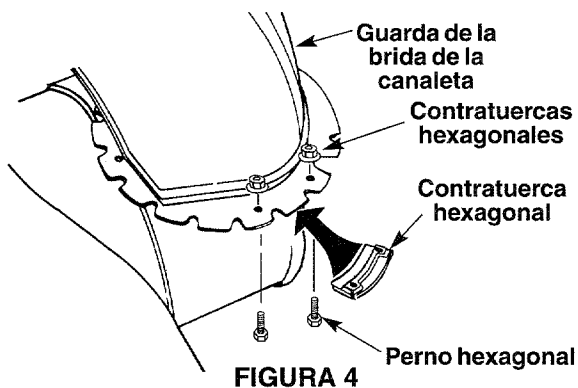


FIGURA 4

- Inserte el perno hexagonal a través de la guarda de la brida de la canaleta y del conjunto de la canaleta según se muestra en la figura 4. Asegure con la contratuerca hexagonal.
- Después de ensamblar todas las tres guardas de la brida de la canaleta, ajústelas y afloje 1/4 de vuelta para permitir un movimiento más fácil.

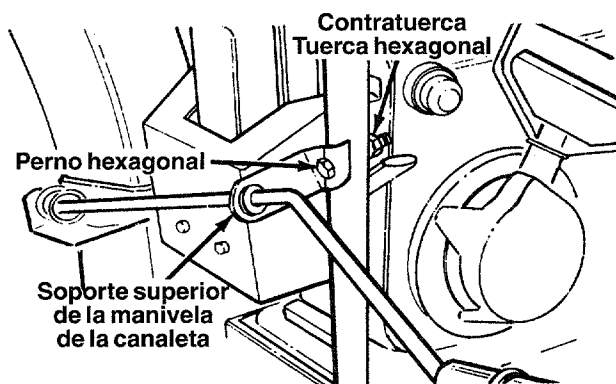


FIGURA 5

#### ATTACHING FIJACION DE LA MANIVELA DE LA CANALETA

- Inserte el perno hexagonal a través del soporte superior de la manivela de la canaleta. Vea la figura 5.
- Coloque el perno hexagonal dentro del orificio provisto en el mango izquierdo. Asegure con la contratuerca y la tuerca hexagonal.

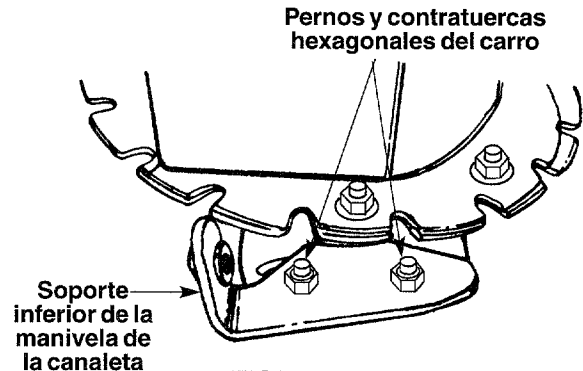


FIGURA 6

- No ajuste hasta fijar el otro extremo de la manivela de la canaleta.
- Afloje los pernos del carro y las contratuercas hexagonales que aseguran el soporte inferior de la manivela de la canaleta a la prolongación del lado izquierdo del conjunto de la canaleta. Vea la figura 6.
- Coloque una arandela plana sobre el extremo de la manivela de la canaleta y a continuación inserte el extremo de la manivela dentro del orificio en el manguito plástico en el soporte de la manivela de la canaleta. Vea la figura 7.
- Coloque la otra arandela plana sobre el extremo de la manivela de la canaleta e inserte la chaveta en el extremo de la manivela. Asegure doblando los extremos de la chaveta en direcciones opuestas.
- Ajuste el soporte de la canaleta de manera que la espiral de la manivela de la canaleta enganche completamente los dientes del conjunto de la canaleta. Ajuste seguramente las tuercas en el soporte inferior de la manivela de la canaleta.
- Ajuste el perno hexagonal y la tuerca en el soporte superior de la manivela de la canaleta en el mango.

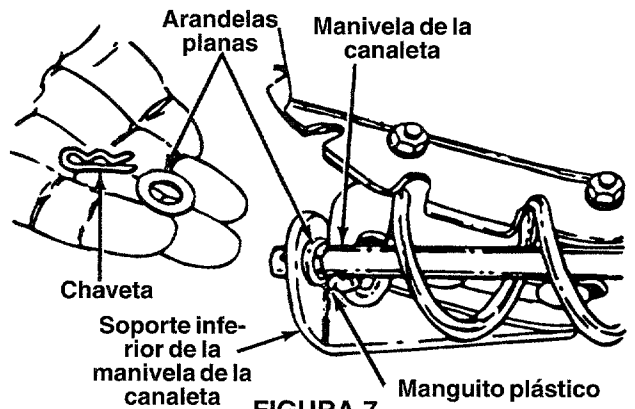


FIGURA 7

- Deslice los cables que se extienden desde el panel del mango a la canaleta dentro de la guía de cable ubicada en el tope del motor. Vea la figura 8.

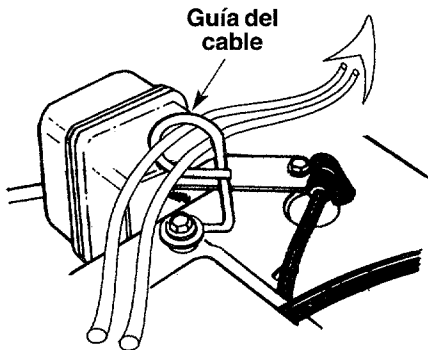


FIGURA 8

**IMPORTANTE:** Fije la vara de cambios y los cables del embrague como sigue. A continuación inspeccione los ajustes según las instrucciones, y efectúe todos los ajustes finales necesarios antes de hacer funcionar su expulsor de nieve. El no seguir las instrucciones puede causar averías al expulsor de nieve.

#### FIJACION DE LA VARA DE CAMBIOS

- Coloque la palanca de cambios en la posición de sexta (6) velocidad.
- Coloque el extremo doblado de la vara de cambio dentro del orificio en el conjunto del brazo de cambios. Vea la figura 9. Asegure con la arandela del resorte, arandela plana y broche de cabello.
- Comience a enroscar el casquillo dentro del otro extremo de la vara de cambios. Presione hacia abajo sobre la vara de cambios (y sobre el conjunto del brazo de cambios) tanto como pueda.
- Enrosque el casquillo sobre la vara de cambios hasta que el casquillo se alinee con el orificio superior en la palanca de cambios (debajo del panel del mango).

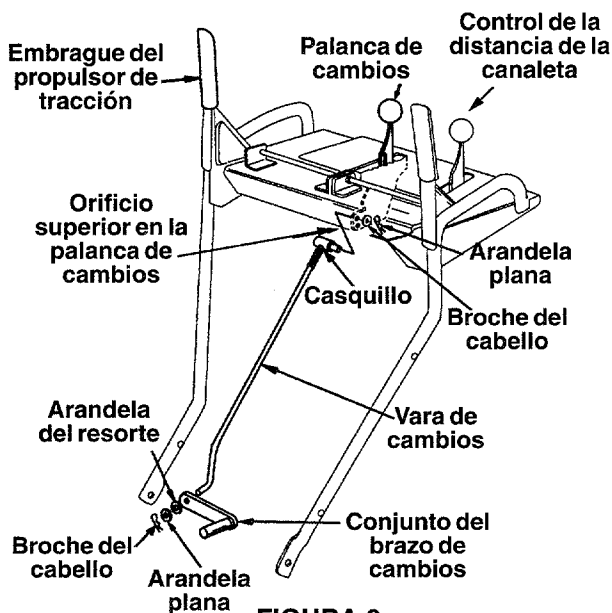


FIGURA 9

- Una vez que el casquillo se desliza dentro del orificio, retroceda una vuelta completa en sentido contrario a las agujas del reloj al casquillo con la varilla y mueva la palanca de cambios hacia la quinta posición.

**NOTA:** Puede ser necesario tirar de la palanca de cambios fuera de la posición de sexta velocidad y moverla hacia la posición de quinta velocidad hasta que el casquillo se deslice dentro del orificio sin esfuerzo.

- Inserte el casquillo dentro del orificio superior en la palanca de cambios desde el lado izquierdo cuando el ajuste es correcto. Asegure con la arandela plana y el broche del cabello.
- Asegúrese de inspeccionar por un ajuste correcto de la vara de cambios según las instrucciones de la sección de Ajuste Final, antes de hacer funcionar el expulsor de nieve.

#### FIJACION DE LOS CABLES DEL EMBRAGUE

- Levante la cubierta plástica negra de la correa fuera del frente hacia el armazón del motor. Extraiga los dos tornillos autoroscantes del armazón del motor (despachados flojos en posición) que se usarán para instalar la cubierta.
- Inspeccione y asegúrese que el cable está en la hendidura de todos los tres rodillos guía del cable.
- Enrosque las contratuercas hexagonales (en el paquete de ferretería) toda la distancia hasta la porción roscada de los extremos en Z de los cables del embrague.
- Asegúrese que cada cable esté en la ranura de las guías del rodillo del cable. Coloque la empuñadura del embrague en la posición elevada (up).
- Enrosque el cable dentro de la porción roscada del extremo en Z y hasta que no haya exceso en el cable, pero que el cable NO esté tirante. Vea la figura 10.

**ADVERTENCIA:** Pueden anularse las características de seguridad del expulsor de nieve, si el cable está tan tirante que hay tensión en el cable estando suelta la empuñadura del embrague.

- Ajuste la tuerca hexagonal contra la porción del fondo del cable para asegurarlo en posición, cuando se alcance el ajuste correcto.
- Coloque en posición la cubierta de la correa y asegure con tornillos autoroscantes que había extraído antes.

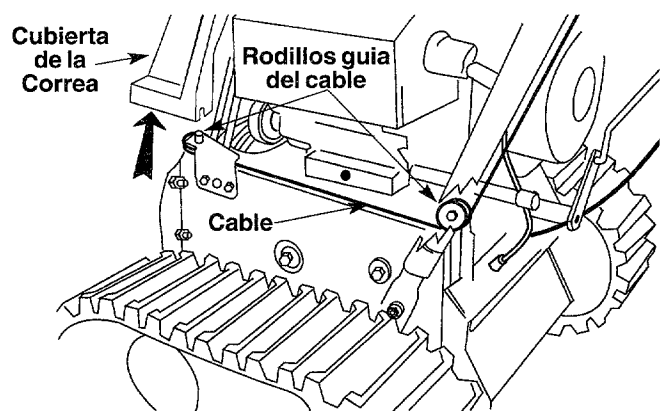


FIGURE 10

## FIJACION DE LOS GATILLOS PARA GIRO IZQUIERDO Y DERECHO

- Extraiga el tornillo del tope del gatillo de giro derecho. Tenga cuidado de no perder la tuerca soldada.
- Extraiga el gatillo del cable tirando del cable hacia afuera y hacia abajo. Deslice la bolilla del cable fuera de la ranura.
- Alimente el cable del gatillo hacia arriba a través del lado exterior de la ranura en el panel plástico del mango. No alimente el cable a través del mismo lado de la ranura que el adaptador en Z.
- Deslice y gire la bolilla del cable dentro de la ranura del gatillo. Tire del cable hasta que calce en su lugar.
- Coloque el gatillo de giro derecho en posición debajo del mango derecho. Asegure con el tornillo recién extraído. Vea la figura 11.

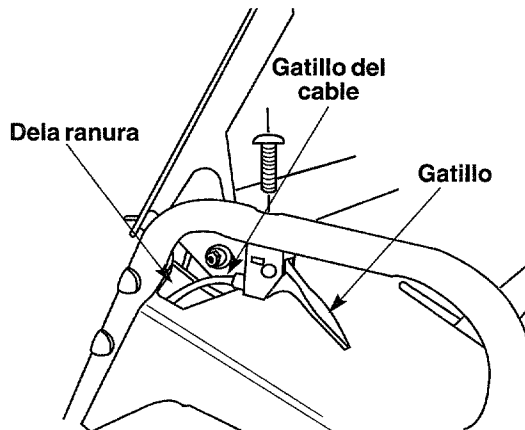


FIGURA 11

- Asegure el cable derecho de control al mango derecho usando un amarre de cable. Si su amarre de cable está equipado con un poste, inserte el poste a través del orificio provisto en el mango inferior y asegure los cables. Corte el exceso de los extremos de los amarres del cable. Si su amarre de cable no está equipado con un poste, envuelva el amarre de cable alrededor de la parte inferior del mango.
- Asegure el gatillo de giro izquierdo de la misma manera.

**NOTA:** Debe usarse el amarre de cable para evitar que el cable entre en contacto con el brazo móvil de cambios desde la transmisión.

## AJUSTES FINALES

### AJUSTE DEL CONTROL DE LA HELICE

- Para inspeccionar el ajuste del control de la hélice, empuje hacia adelante sobre la empuñadura izquierda del embrague hasta que esté comprimido el amortiguador de goma. Debe haber exceso en el cable del embrague.
- Suelte la empuñadura del embrague. El cable debe estar recto. Asegúrese de bajar completamente el mango de control de la hélice contra el mango izquierdo.
- Si fuera posible, afloje la tuerca de presión hexagonal y enrosque el cable hacia adentro (para menos exceso) o hacia afuera (para más exceso).
- Vuelva a inspeccionar el ajuste. Ajuste la tuerca de presión contra el cable cuando se alcanza el ajuste correcto.

## AJUSTE DEL CONTROL DEL PROPULSOR DE TRACCION Y DE LA PALANCA DE CAMBIOS

- Para inspeccionar el ajuste del control del propulsor de tracción y de la palanca de cambios, mueva la palanca de transferencia de peso a la posición de transporte (vea la figura 16) y la palanca de cambios todo el recorrido hasta la sexta (6) posición.
- Con el control del propulsor de tracción desenganchado, empuje el expulsor de nieve hacia adelante para verificar que giren las orugas.

**NOTA:** Para comenzar el giro de las orugas, puede ser necesario "hamacar" el expulsor de nieve hacia atrás y a continuación hacia adelante.

- Enganche el control del propulsor de tracción y empuje el expulsor de nieve. Las orugas no deben girar. Desenganche el control del propulsor de tracción y asegúrese que las orugas giren nuevamente.
- Retroceda la palanca de cambios a la posición de retroceso rápido y a continuación todo hacia adelante. No debe haber resistencia al movimiento de la palanca de cambios.
- Si hay resistencia al movimiento de la palanca de cambios o las orugas se detienen cuando no deben hacerlo, afloje la tuerca de presión sobre el cable propulsor de tracción y desenrosque el cable una vuelta.
- Si las orugas no se detienen cuando usted engancha la empuñadura del control del propulsor de tracción, afloje la tuerca de presión sobre el cable propulsor de tracción y enrosque el cable una vuelta. Vuelva a inspeccionar el ajuste y repita el ajuste según sea necesario.
- Ajuste la tuerca de presión para asegurar el cable cuando se alcanza el ajuste correcto.

**NOTA:** Para más detalles, refiérase a la sección de Ajustes.

### AJUSTE DE LA ZAPATA DESLIZANTE

- Puede cambiarse el espacio entre la placa raspadora y el suelo ajustando la zapata deslizante.
- Para una eliminación estrecha de nieve, coloque las zapatas deslizantes tan altas como sea posible de manera que la placa raspadora esté en la posición inferior.
- Para eliminar la nieve de terrenos irregulares tales como pedregullo, coloque las zapatas deslizantes tan bajas como sea posible de manera que la placa raspadora esté en la posición elevada.
- Ajuste las zapatas deslizantes aflojando las cuatro tuercas hexagonales y los pernos del carro y moviendo las zapatas deslizantes a la posición deseada. Asegúrese que toda la superficie inferior de la zapata deslizante esté apoyada sobre el suelo para evitar un desgaste irregular de las zapatas deslizantes. Vea la figura 12.

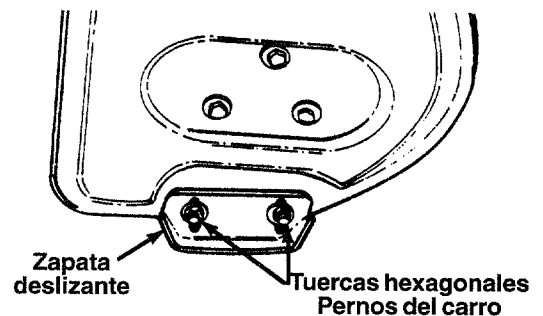


FIGURA 12

# OPERACION

## CONOZCA SU EXPULSOR DE NIEVE

ANTES DE HACER FUNCIONAR SU EXPULSOR DE NIEVE LEA ESTE MANUAL DEL PROPIETARIO  
 Compare las ilustraciones en este manual con su expulsor de nieve para familiarizarse con la ubicación de varios controles y ajustes. Guarde este manual para referencia futura.

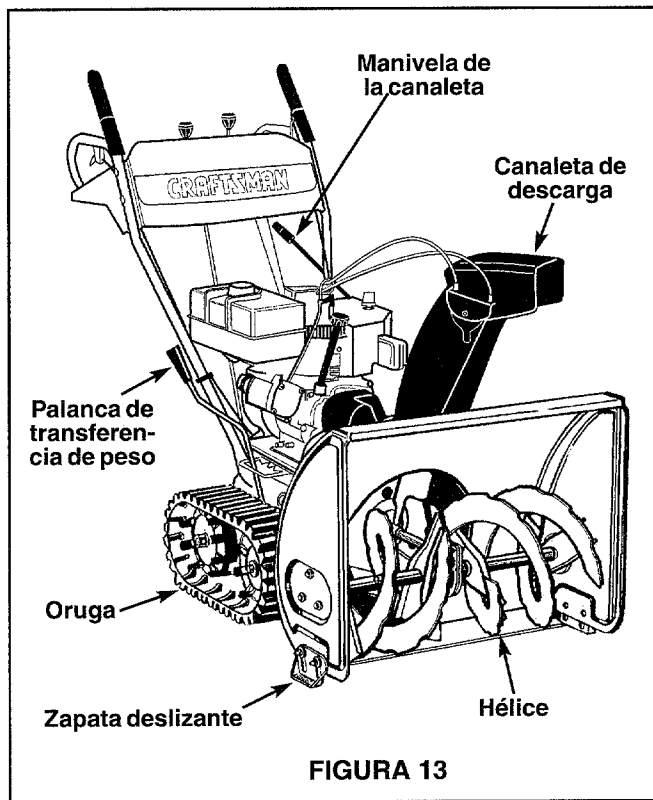


FIGURA 13

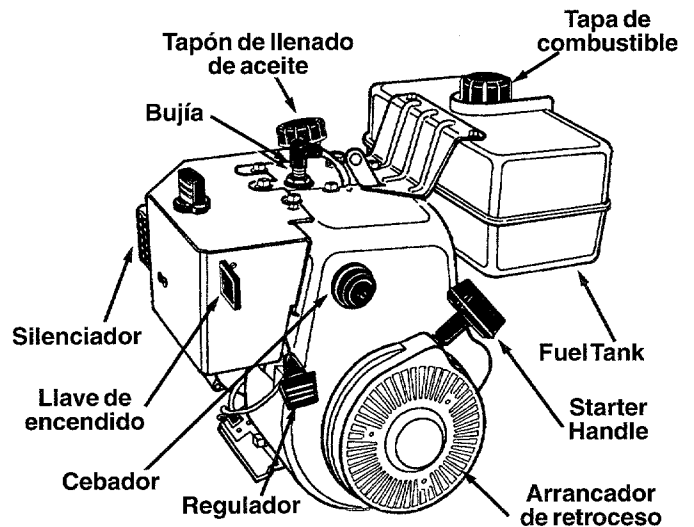


FIGURA 14

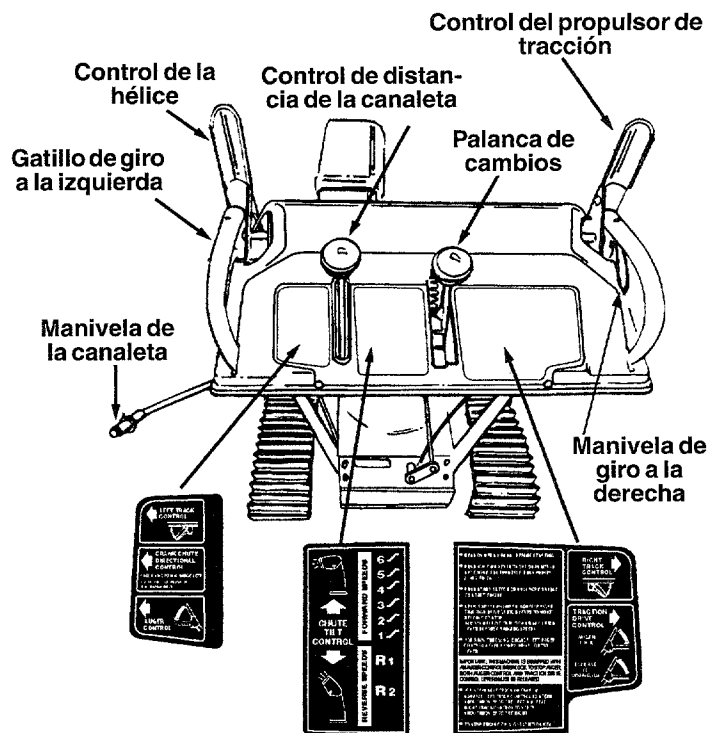


FIGURA 15

## CUMPLE CON LOS REQUERIMIENTOS DE SEGURIDAD ANSI B71.3

Los expulsores de nieve Sears conforman con las normas de seguridad del American National Standards Institute.



La operación de un expulsor de nieve puede resultar en objetos despedidos contra los ojos, lo que puede resultar en lesiones graves de los ojos. Mientras opera el o efectúa ajustes o reparaciones al expulsor de nieve use siempre lentes de seguridad o protectores de los ojos. Recomendamos lentes estándar de seguridad o una máscara de seguridad de visión amplia para colocar sobre sus lentes, disponible en sus tiendas minoristas de Sears.

### MANIVELA DE LA CANALETA

La manivela de la canaleta está ubicada del lado izquierdo del expulsor de nieve. Vea la figura 13. Para cambiar la dirección en la cual se despide la nieve, gire la manivela de la canaleta como sigue: gire en el sentido de las agujas del reloj para descargar a la izquierda; gire en sentido contrario a las agujas del reloj para descargar a la derecha.

### CONTROL DEL ACELERADOR

El control del acelerador está ubicado en el motor. Regula la velocidad del motor. Vea la figura 14.

### INTERRUPTOR DE SEGURIDAD DEL ENCENDIDO

Debe insertarse la llave de encendido en el interruptor antes de arrancar la unidad. Cuando el expulsor de nieve no esté en uso extraiga la llave de encendido. Vea la figura 14.

### GATILLOS DE GIRO IZQUIERDO Y DERECHO

Los gatillos de giro izquierdo y derecho están ubicados en el lado inferior de los mangos y se usan para asistir en el cambio de dirección de su expulsor de nieve. Vea la figura 15. Accione el gatillo de giro derecho cuando gire a la derecha, accione el gatillo de giro izquierdo cuando gire a la izquierda. Opere su expulsor de nieve en áreas abiertas hasta que se familiarice con esos controles.

### PALANCA DE CAMBIOS

La palanca de cambios está ubicada en el centro del panel del mango. La palanca de cambios puede moverse a una de ocho posiciones. Use la palanca de cambios para determinar la velocidad sobre el suelo.

**Avance** - una de seis velocidades; la posición uno (1) es la más lenta y la posición seis (6) es la más veloz.

**Retroceso** - dos velocidades de retroceso (R); R<sub>2</sub> es la más veloz.

### CONTROL DE LA HELICE

El control de la hélice está ubicado en el mango izquierdo. Vea la figura 15. Accione el control de la hélice contra el mango para enganchar las hélices; suelte para desenganchar las hélices. (Debe desengancharse también el control del propulsor de tracción).

### CONTROL DEL PROPULSOR DE TRACCION

El control del propulsor de tracción está ubicado en el mango derecho. Accione el control del propulsor de tracción para enganchar el propulsor de la oruga; desenganche para detener. Vea la figura 15.

**Esta misma palanca asegura también el control de la hélice de manera que usted puede girar la manivela de la canaleta sin interrumpir el proceso**

**de expulsión.** Si el control de la hélice se engancha cuando está enganchado el control del propulsor de tracción, usted puede desenganchar el control de la hélice (en el mango izquierdo) y las hélices permanecerán enganchadas. Para detener los propulsores de las hélices y de la rueda, desenganche el control del propulsor de tracción. (Debe desengancharse también el control de la hélice).

### CONTROL DE DISTANCIA DE LA CANALETA

Puede ajustarse la distancia a la cual se expela la nieve mediante el ajuste del ángulo del conjunto de la canaleta. Avance el control de distancia de la canaleta para disminuir la distancia y retroceda para aumentar la distancia. Vea la figura 15.

### PALANCA DE TRANSFERENCIA DE PESO

La palanca de transferencia de peso está ubicada a la derecha del expulsor de nieve y se usa para seleccionar la posición del armazón y el método de operación de la oruga. Mueva la palanca hacia la derecha, y a continuación avance o retroceda a una de las tres posiciones. Vea la figura 16.

**Transporte** - Eleva el extremo delantero del expulsor de nieve para facilidad del transporte. Usando precaución, esta posición puede usarse también en muchas entradas de pedregullo para despejar la nieve mientras deja inalterado el pedregullo.

**Nieve normal** - Permite que las orugas se suspendan independientemente para un contacto continuo con el suelo.

**Nieve compactada** - Presiona contra el suelo el extremo delantero del expulsor de nieve para condiciones de nieve dura muy compactada o cubierta de hielo.

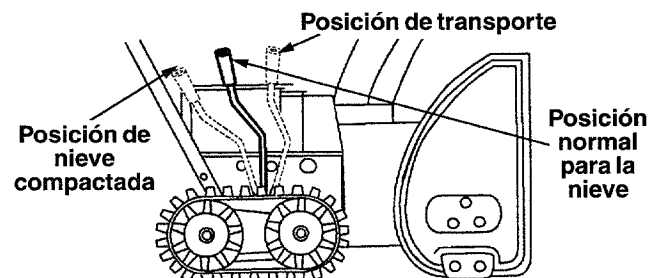


FIGURA 16

## DETENCION DEL EXPULSOR DE NIEVE

- Para detener la expulsión de nieve, desenganche la palanca del propulsor de la hélice.
- Para detener las orugas, suelte la palanca del propulsor de tracción.
- Para apagar el motor, empuje la palanca de control del acelerador a OFF y extraiga la llave de encendido. No gire la llave.

## PARA EXPELER NIEVE



**PRECAUCION:** Inpeccione el área a ser despejada por objetos extraños. Recójalos de haberlos.

- Mueva la palanca de transferencia de peso hacia la derecha, a continuación hacia adelante o atrás a la posición deseada.
- Arranque el motor siguiendo las Instrucciones de Arranque.
- Gire la canaleta de descarga a la dirección deseada, alejada de los observadores y/o edificios. Mueva el control de distancia de la canaleta hacia adelante o hacia atrás para ajustar la distancia a que se expelerá la nieve.
- Seleccione la velocidad de acuerdo con las condiciones de la nieve.
- Enganche las palancas de control de la hélice y de propulsión de tracción siguiendo las instrucciones precedentes.
- La característica de interbloqueo le permitirá retirar su mano izquierda de la palanca de control de la hélice.
- Al despejar su primera pasada a través de la nieve, controle la velocidad de tracción del expulsor de nieve de acuerdo con la profundidad y condición de la nieve.
- Para girar la unidad hacia la izquierda accione el gatillo izquierdo, para girar a la derecha accione el gatillo derecho.
- En cada pasada sucesiva, reajuste el deflector de canaleta a la posición deseada y superponga ligeramente con el recorrido previamente despejado.
- Después de despejar el área, apague el expulsor de nieve siguiendo las instrucciones precedentes.

## ANTES DE ARRANCAR EL MOTOR

Este expulsor de nieve se despachó con un recipiente de aceite 5W30.

- Extraiga la tapa de llenado/varilla de nivel de aceite.
- Vierta el aceite y llene el cárter hasta la línea (Full) en la varilla de nivel de aceite (19 onzas). Vea la figura 17.
- Ajuste seguramente la tapa de llenado/varilla del nivel de aceite.

**NOTA:** El motor puede contener ya algo de aceite residual. Inspeccione frecuentemente al llenar el cárter. No llene en exceso.

**NOTA:** Debe cambiarse el aceite después de las dos (2) primeras horas de funcionamiento para prolongar la duración del motor.

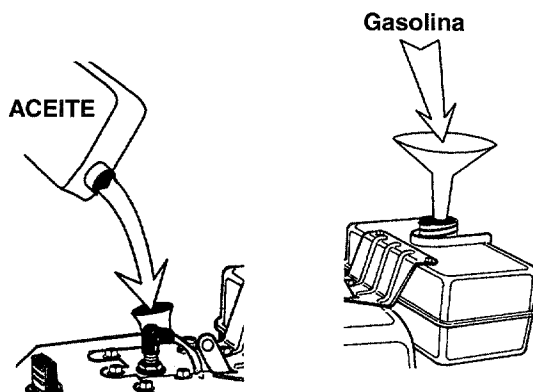


FIGURA 17

## LLENE CON GASOLINA



**ADVERTENCIA:** La gasolina es inflamable y debe ser precavido al manejarla o almacenarla.

No llene el tanque de combustible mientras está funcionando el expulsor de nieve, cuando está caliente o cuando está en una área cerrada.

Manténgalo alejado de llamas expuestas o de chispas eléctricas y no fume mientras llena el tanque de combustible.

Nunca llene completamente el tanque de combustible. Llene el tanque hasta 1/4"-1/2" desde el tope para proveer espacio para la expansión del combustible.

Para evitar derrames, llene siempre el tanque de combustible al aire libre y use un embudo o tubo de descarga.

Antes de arrancar el motor asegúrese de limpiar todo el combustible derramado.

Almacene la gasolina en un recipiente limpio y aprobado, y mantenga la tapa en su lugar en el recipiente.

- Asegúrese que el recipiente del cual usted vierte la gasolina esté limpio y libre de óxido o de otras partículas extrañas.
- Llene el tanque de combustible con gasolina limpia, fresca, sin plomo de grado automotriz. Vea la figura 17.
- Al final de la tarea, vacíe el tanque de combustible si el expulsor de nieve no será usado por 30 días o más. Vea las instrucciones de Almacenamiento en este manual.

**NOTA:** La experiencia indica que los combustibles mezclados con alcohol (llamado gasohol) o aquellos que usan etanol o metanol pueden atraer humedad lo que conduce a la separación y formación de ácidos durante el almacenamiento.

El gas ácido puede dañar el sistema de combustible de un motor mientras está almacenado.

Nunca use productos de limpieza de motor o carburador en el tanque de combustible ya que en caso contrario puede ocurrir un daño permanente.



## PARA ARRANCAR EL MOTOR (ARRANCADOR ELECTRICICO)

Asegúrese que el motor tiene suficiente aceite. El motor del expulsor de nieve está equipado con un arrancador eléctrico de 120 V.C.A. y arrancador de retroceso. El arrancador eléctrico está equipado con un cordón de tres conductores y un enchufe, y está diseñado para operar con la corriente casera de 120 voltios de CA. Siga cuidadosamente todas las instrucciones.

### ARRANQUE EN FRIO

**NOTA:** Si la unidad muestra cualquier indicación de movimiento (propulsor o hélices) con las empuñaduras del embrague desenganchadas, apague inmediatamente el motor. Reajuste según se instruye en la sección de "Ajustes Finales" de las instrucciones de Ensamblado.



**ADVERTENCIA:** El arrancador debe conectarse correctamente a tierra en todo momento para evitar la posibilidad de choque eléctrico que puede causar lesiones al operador.

- Determine que el cableado de su casa es un sistema de tres conductores conectado a tierra. Si no está seguro, consulte con un electricista licenciado.
- Si el sistema de cableado de su casa está conectado a tierra y no está disponible un receptáculo de tres orificios en el punto en el cual normalmente se usará el expulsor de nieve, debe instalarse uno por un electricista licenciado.



**ADVERTENCIA:** No use este arrancador eléctrico bajo ninguna condición, si el sistema de cableado de su casa no es un sistema de tres conductores conectado a tierra

- Al conectar el cordón de potencia, conecte siempre primero el cordón al arrancador del motor, a continuación enchufe el otro extremo dentro de un receptáculo de tres orificios conectado a tierra.
- Al desconectar el cordón de potencia, siempre desenchufe primero el extremo del receptáculo de tres orificios conectado a tierra.
- Fije el conductor de la bujía a la bujía.
- Asegúrese que las palancas del propulsor de la hélice y del propulsor de tracción estén en la posición desenganchada de RELEASED.
- Mueva la palanca de control del acelerador a la posición FAST.
- Extraiga las llaves de la bolsa plástica. Presione la llave dentro de la ranura de encendido. Asegúrese que calce en su lugar. NO GIRE LA LLAVE. Mantenga la segunda llave en un lugar seguro.
- Gire la perilla del regulador a la posición FULL del regulador.
- Conecte el cordón de potencia a la caja del interruptor del motor.
- Enchufe el otro extremo del cordón de potencia dentro de un receptáculo de tres orificios, conectado a tierra de 120 voltios de C.A.

- Presione el botón del cebador mientras cubre el orificio de ventilación como sigue: (Retire el dedo del botón del cebador entre cebados).  
No cebe si la temperatura es mayor que 50°F.  
Cebe dos veces si la temperatura está entre 50°F y 15°F.  
Cebe cuatro veces si la temperatura es inferior a 15°F.
- Presione el botón del arrancador hasta que arranque el motor. No intente arrancar por más de 10 segundos por vez. Este arrancador está térmicamente protegido. Si se sobrecalienta, se apagará automáticamente y puede arrancarse nuevamente cuando se haya enfriado a una temperatura segura solamente (se requiere una espera de 5 a 10 minutos).
- Suelte el botón del arrancador y gire lentamente el regulador a la posición OFF, cuando arranca el motor. Si el motor vacila, gire el regulador a FULL y a continuación gradualmente a OFF.
- Desconecte primero el cordón de potencia del receptáculo y a continuación de la caja del interruptor del motor.
- Permita que el motor se caliente por unos pocos minutos ya que el motor no desarrollará su potencia plena hasta que alcance la temperatura de operación.
- Opere el motor con el acelerador a fondo (FAST) cuando expela nieve.

### ARRANQUE EN CALIENTE

- Si está arrancando un motor caliente después de apagarlo, gire el regulador a OFF en lugar de FULL y no presione el botón del cebador.

### ARRANQUE DEL MOTOR

#### (ARRANCADOR DE RETROCESO)

Asegúrese que el motor tiene aceite suficiente y que estén desenganchadas (seltas) las palancas del propulsor de la hélice y del propulsor de tracción.

- Mueva el control del acelerador a la posición FAST.
- Introduzca la llave dentro de la ranura del encendido y asegúrese de que calce en su lugar. No gire la llave. Extraiga la bolsa plástica y mantenga la segunda llave en un lugar seguro.
- Gire el control del regulador a la posición FULL del regulador..
- Mientras cubre el orificio de ventilación, presione el botón del cebador. Retire el dedo del botón del cebador durante cebados.  
No cebe si la temperatura es superior a 50°F.  
Cebe dos veces a temperaturas entre 50°F y 15°F.  
Cebe cuatro veces en temperaturas inferiores a 15°F.
- Tire rápidamente del mango del arrancador. No permita que el mango retroceda rápidamente sino que se enrolle lentamente mientras sujeta firmemente el mango del arrancador.
- A medida que el motor se calienta y comienza a funcionar uniformemente, gire lentamente la perilla del regulador a la posición OFF. Si el motor vacila, retorne a regulador FULL, a continuación mueva lentamente a la posición OFF del regulador.

- Permita que el motor se caliente durante unos pocos minutos ya que el motor no desarrollará su plena potencia hasta que alcance la temperatura de operación.
- Al expeler nieve, haga funcionar el motor a acelerador pleno (FAST).

### ARRANQUE EN CALIENTE

- Si arranca un motor caliente después de apagar, gire el regulador a OFF en lugar de FULL y no presione el botón del cebador.

### ARRANCADOR DE RETROCESO CONGELADO

Si el arrancador está congelado y no gira el motor, proceda como sigue:

- Tire tanta cuerda como pueda del arrancador.
- Suelte el mango del arrancador y permita que salte contra el arrancador.
- Si el motor todavía falla en arrancar, repita los dos primeros pasos. Si los intentos continuados no liberan el arrancador, siga los procedimientos del arrancador eléctrico para arrancar.

Para ayudar a prevenir la posible congelación del arrancador de retroceso y de los controles del motor, siga los dos próximos pasos después de cada tarea de eliminación de nieve.

### PARA APAGAR EL MOTOR

#### Arrancador Eléctrico:

- Antes de apagar el motor para ayudar a secar la humedad, haga funcionar el motor por unos pocos minutos.
- Proceda como siga, para ayudar a prevenir una congelación posible del arrancador.
- Conecte el cordón de potencia a la caja del interruptor del motor y a continuación a un receptáculo de 120 voltios de CA.
- Con el motor funcionando, presione el botón del arrancador y gire el arrancador por varios segundos. El sonido poco común emitido al girar el arrancador no dañará el motor ni el arrancador.
- Desconecte primero el cordón de potencia del receptáculo y a continuación de la caja del interruptor.
- Para apagar el motor extraiga la llave de encendido. No gire la llave. Desconecte el conductor de la bujía de la bujía para prevenir un arranque accidental mientras el motor está desatendido.
- Frote para limpiar toda la nieve y la humedad del carburador que cubre el área de la palanca de control. Mueva también varias veces el control del acelerador, el control del regulador, y el mango del arrancador.
- Deje la palanca de control del acelerador en la posición STOP u OFF. Deje el control del regulador en la posición plena de FULL.

**NOTA:** No pierda la llave de encendido. Manténgala en un lugar seguro. El motor no arrancará sin la llave de encendido.

#### Arrancador de retroceso:

- Con el motor funcionando, tire fuerte tres o cuatro veces, de la cuerda de arranque con una pasada continua usando todo el brazo. Esto producirá un sonido fuerte de golpeteo que no es perjudicial para el motor o para el arrancador.

- Con el motor sin funcionar, frote para limpiar toda la nieve y la humedad del carburador que cubre el área de la palanca de control. Mueva también varias veces el control del acelerador, el control del regulador, y el mango del arrancador.

### PARA ENGANCHAR EL PROPULSOR

- Accione el control izquierdo de la hélice para engancharla.
- Con el motor funcionando cerca de la velocidad tope, mueva la palanca de cambios a una de las seis posiciones de FORWARD (AVANCE) o dos posiciones de REVERSE (RETROCESO). Seleccione una velocidad adecuada para las condiciones existentes de nieve. Use las velocidades menores hasta que se familiarice con la operación del expulsor de nieve.
- Mientras está enganchado el control izquierdo de la hélice, accione el propulsor de tracción/control del propulsor de tracción derecho para mover, desenganche para detener. Mientras el propulsor está enganchado no cambie velocidades.
- **Deben desengancharse ambas palancas para detener la hélice.** Desenganche el control izquierdo de la hélice; el mecanismo de bloqueo mutuo debe mantener enganchado el control izquierdo de la hélice hasta que se desenganche el propulsor de tracción/control del propulsor de tracción derecho. Desenganche y se detendrá el movimiento del propulsor.
- Accione el gatillo izquierdo para girar a la izquierda; accione el gatillo derecho para girar a la derecha.

**NOTA:** NUNCA mueva la palanca de cambio sin desenganchar primero el embrague del propulsor.

### CONSEJOS DE OPERACION

**NOTA:** Permita que el motor se caliente por unos pocos minutos ya que el motor no desarrollará una potencia plena hasta que alcance la temperatura de operación.



**Advertencia:** La temperatura del silenciador y de las áreas circundantes puede exceder 150°F. Evite esas áreas.

- Para la eliminación más eficiente de la nieve, elimine la nieve inmediatamente después de caer.
- Cuando sea posible descargue la nieve en la dirección del viento. Superponga ligeramente cada pasada previa.
- Para uso normal gradúe las zapatas deslizantes a 1/4" por debajo de la barra raspadora. Las zapatas deslizantes pueden ajustarse verticalmente para nieve dura compactada. Ajuste hacia abajo al usar sobre pedregullo o roca triturada.
- Para prevenir una posible congelación, siga las precauciones listadas bajo "Apagado del Motor" y "Arrancador de Retroceso Congelado".
- Después de cada uso, limpie completamente el expulsor de nieve.

# MANTENIMIENTO

## Responsabilidades del cliente

PROGRAMA DE MANTENIMIENTO		FECHAS DE SERVICIO*					
		ANTES DE CADA USO	DESPUES DE CADA USO	PRIMERAS 5 HORAS	CADA 25 HORAS	CADA 50 HORAS	ANTES DE ALMACENAR
PRODUCTO	Lubrique los puntos de pivote			✓		✓	
	Limpe el expulsor de nieve	✓				✓	
	Limpe la placa raspadora			✓			
	Limpe las zapatas deslizantes			✓			
	Inspeccione las correas en V				✓		
	Inspeccione la goma de la rueda de fricción			✓			
MOTOR	Inspeccione el aceite del motor	✓					
	Cambie el aceite del motor		✓	✓			
	Limpe el filtro de aire			✓			
	Inspeccione la bujía				✓	✓	
	Inspeccione el silenciador				✓		

\* Anote las fechas a medida que completa el servicio regular

✓ Marca

## LUBRICACION



**ADVERTENCIA:** Desconecte el cable de la bujía y conecte a tierra con el motor antes de efectuar reparaciones o mantenimiento.

### EJE DE ENGRANAJES

- Lubrique el eje de engranajes con grasa una vez por temporada por lo menos o después de cada 25 horas de funcionamiento.

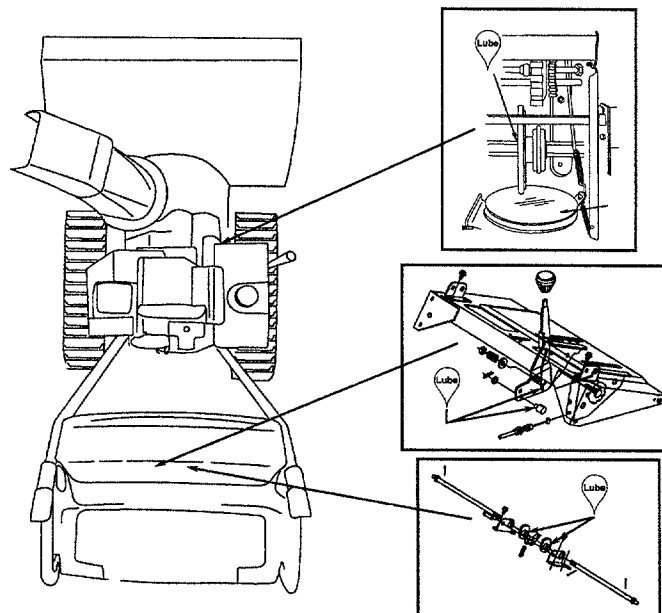
**IMPORTANTE:** Mantenga toda la grasa y aceite fuera de la rueda de fricción y de la placa propulsora.

### MECANISMO DE CAMBIOS

- Lubrique el mecanismo de cambios y los puntos de pivote en la vara de cambios con aceite de motor una vez por temporada por lo menos o después de cada 25 horas de funcionamiento.

### PROPULSOR DE TRACCION/CONTROL DEL PROPULSOR DE TRACCION

- Lubrique las levas en los extremos de las varas de control que bloquean entre sí los controles del propulsor de tracción y de la hélice una vez por temporada por lo menos o cada veinticinco horas de funcionamiento con grasa. Puede obtenerse acceso a las levas por debajo del panel del mango.



Lubricacion Guia

## CAJA DE ENGRANAJES

- La caja de engranajes está lubricada con grasa de fábrica y no requiere inspección. Si se desarma por cualquier motivo, lubrique con 2 onzas de grasa Shell Alvania, número de pieza 737-0168.

## RODAMIENTOS

- Lubrique una vez por temporada, los rodamientos de las hélices, los rodamientos de las ruedas y los rodamientos de la sección lateral del armazón, con aceite liviano.

## HELICES

Las hélices están aseguradas al eje de la espiral mediante dos pernos de corte y contratueras hexagonales. Si usted golpea un objeto extraño o se atasca con hielo, el expulsor de nieve está diseñado de manera que los pernos hexagonales se cortarán.

- Si las hélices no giran, inspeccione para verificar si los pernos se han cortado. Reemplace si fuera necesario. Vea la figura 18.

Se han provisto dos pernos hexagonales y contratueras hexagonales de repuesto con el expulsor de nieve.

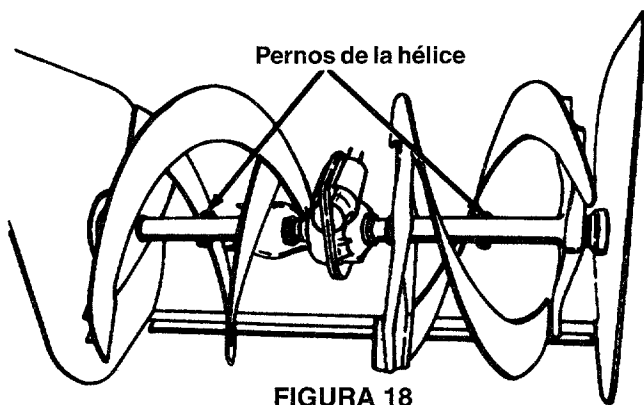


FIGURA 18

## MOTOR

### ACEITE DE MOTOR

- Use aceite detergente de alta calidad solamente clasificado con la clasificación API de servicio SF o SG.  
Use aceite 5W-30  
El SAE 10W es un sustituto aceptable. (No use aceite 10W40).  
**Capacidad del colector de aceite:**  
1-1/4 pintas/19 onzas/.56 litros
- Mantenga el nivel de aceite entre las marcas "FULL" ("LLENO") y "ADD" ("AGREGAR") de la vara.
- Extraiga el tapón del llenador de aceite y la varilla de nivel de aceite.
- Frote limpia la vara de nivel de aceite, insértela dentro del orificio de llenado de aceite y ajuste se-

guramente. Extraiga la varilla de nivel de aceite. Si el aceite no está hasta la marca "FULL" de la varilla de nivel de aceite, agregue el aceite recomendado. VIERTA LENTAMENTE. Frote limpia la varilla de nivel de aceite cada vez que inspeccione el nivel de aceite.

**Importante:** No llene sobre la marca "full" de la varilla de nivel de aceite.

- Instale el tapón del llenador de aceite y la varilla de nivel de aceite, ajuste seguramente.

## BUJIA

- Limpie el área alrededor de la base de la bujía.
- Extraiga e inspeccione la bujía.
- Reemplace la bujía si los electrodos están mellados, quemados o está agrietada la porcelana. Para más detalles refiérase al manual del motor.
- Limpia la bujía y reajuste la separación .030" una vez por temporada por lo menos o cada 50 horas de operación. Se recomienda el reemplazo de la bujía al comienzo de cada temporada. Refiérase a la lista de piezas del motor para el tipo correcto de bujía. Vea la figura 19.

**NOTA:** No limpie la bujía con chorro de arena. La bujía debe limpiarse raspando o cepillando con un cepillo de alambre y lavando con un solvente comercial.

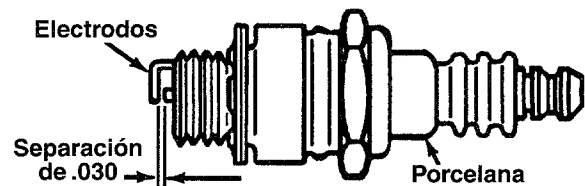


FIGURA 19

## PLACA RASPADORAS Y ZAPATAS DESLIZANTES

La placa raspadora y las zapatas deslizantes al fondo del expulsor de nieve están sujetos a desgaste. Los mismos deben inspeccionarse periódicamente y reemplazarlos cuando sea necesario.

- Para extraer las zapatas deslizantes, extraiga los cuatro pernos del carro, arandelas Belleville y tuercas hexagonales que las fijan al expulsor de nieve.
- Reensamble las nuevas zapatas deslizantes con los cuatro pernos del carro, arandelas Belleville (el lado acopado se coloca contra las zapatas deslizantes) y tuercas hexagonales. Asegúrese que las zapatas deslizantes estén ajustados para estar nivelados.
- Para extraer la placa raspadora, extraiga los pernos del carro, arandelas Belleville y tuercas hexagonales que la fijan al armazón del expulsor de nieve. Reensamble la nueva placa raspadora, asegurándose que las cabezas de los pernos del carro estén del lado interno del armazón. Ajuste seguramente.

## EXTRACCION Y REEMPLAZO DE LA CORREA



**ADVERTENCIA:** Desconecte el conductor de la bujía de la bujía y de la conexión a tierra.

### CORREAS DE LA HELICE

- Para extraer y reemplazar la correa propulsora posterior o delantera, proceda como sigue.
- Desconecte la manivela de la canaleta del conjunto de la canaleta extrayendo el perno prisionero y la arandela plana.
- Extraiga la cubierta plástica de la correa en la parte delantera del motor extrayendo los dos tornillos autoroscantes. Vea la figura 20.

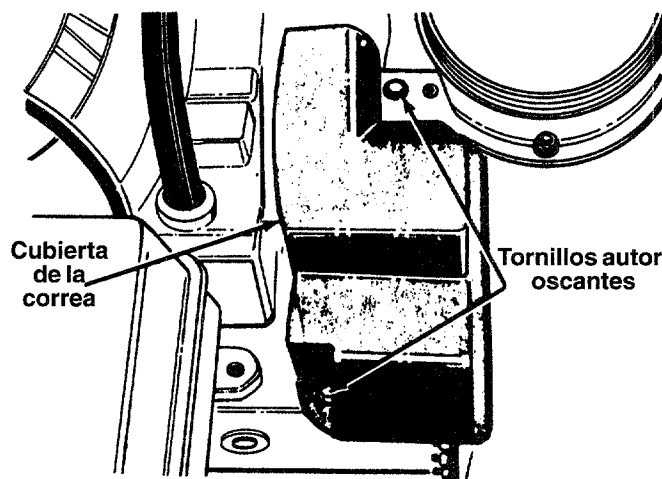


FIGURA 20

- Desenrosque el fondo del cable de la hélice del tope del cable, dejando la tuerca hexagonal en su lugar.
- Extraiga los seis pernos hexagonales, arandelas de seguridad y tuercas hexagonales que fijan el conjunto del armazón de la hélice al armazón. Vea la figura 21.

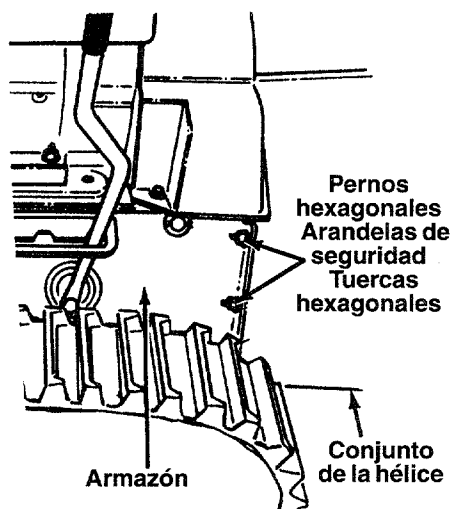


FIGURA 21

- Separe el armazón del conjunto del armazón parándose en la posición operativa y levantando de los mangos. El armazón y la armadura se separarán, y la correa propulsora posterior de la hélice saldrá de la polea. Vea la figura 22.
- Para extraer la polea propulsora delantera, empuje la polea intermedia hacia la izquierda y levante la polea propulsora delantera, de la polea delantera de la hélice. Vea la figura 22. Reemplace ambas correas propulsoras de la hélice siguiendo las instrucciones en orden inverso.

**NOTA:** Al volver a ensamblar las dos mitades de la unidad, asegúrese que el cable propulsor de la hélice esté encaminado a través de la guía del rodillo del cable.

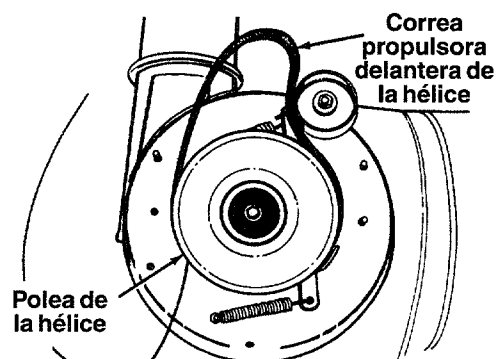


FIGURA 22

### CORREA PROPULSORA

- Extraiga la cubierta plástica de la correa en la parte delantera del motor extrayendo los dos tornillos autoroscantes. Vea la figura 20.
- Drene la gasolina del expulsor de nieve o coloque un trozo de plástico debajo de la tapa de gasolina.
- Inclíne hacia arriba y adelante el expulsor de nieve de manera que se apoye sobre la armadura.
- Extraiga los cuatro tornillos autoroscantes de la cubierta del armazón debajo del expulsor de nieve.
- Tirando hacia arriba de la polea intermedia, ruede la correa fuera de las poleas intermedia y del motor y levante la correa del disco de la rueda de fricción.
- Retroceda el perno tope hasta que la ménsula de soporte se apoye sobre la polea de la hélice. Vea la Figura 23.

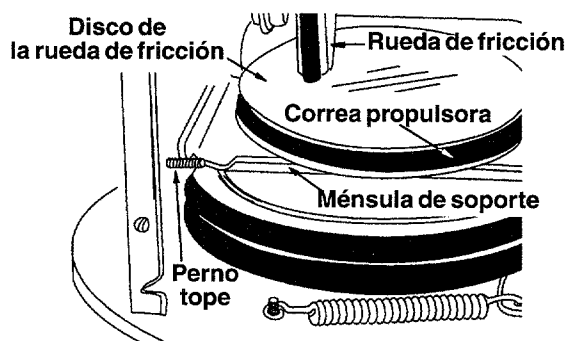


FIGURA 23

- Deslice la correa entre la rueda de fricción y la placa del disco de fricción. Vea la figura 23. Vuelva a ensamblar siguiendo las instrucciones en orden inverso.

**NOTA:** La ménsula de soporte debe apoyarse sobre el perno tope después de haberse ensamblado la nueva correa. Vea la figura 23.

### GOMA DE LA RUEDA DE FRICCIÓN

La goma de la rueda de fricción está sujeta a desgaste y debe inspeccionarse después de 25 horas de operación y periódicamente después. Si halla señales de desgaste o agrietamiento, reemplace la goma de la rueda de fricción.

- Drene la gasolina del expulsor de nieve, o coloque un trozo de plástico debajo de la tapa de gasolina.
- Incline el expulsor de nieve hacia arriba y hacia adelante, de manera que se apoye sobre la armadura.
- Extraiga los cuatro tornillos autoroscantes de la cubierta del armazón debajo del expulsor de nieve.
- Usando una llave de 7/8" para sujetar el eje, afloje, pero no extraiga completamente el perno hexagonal y la arandela acampanada del extremo izquierdo del eje. Vea la figura 24.

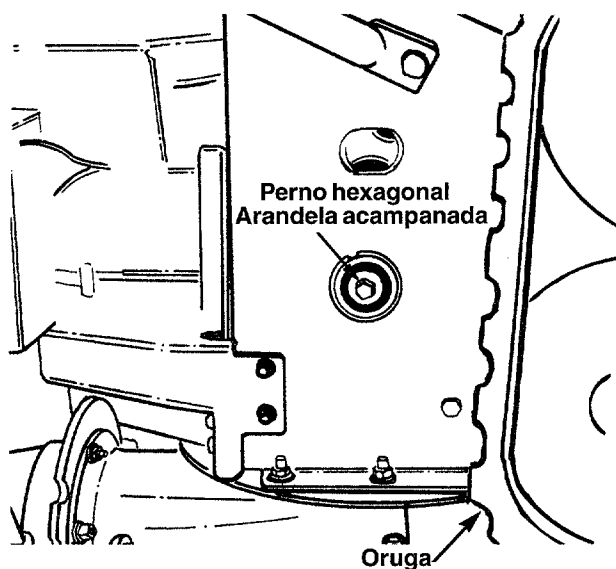


FIGURA 24

- Mueva la palanca de transferencia de peso a la posición de nieve compactada. Refiérase a la figura 16.
- Golpee suavemente la cabeza del perno para desprender el rodamiento a bolillas del lado derecho del armazón, a continuación extraiga el perno hexagonal y la arandela acampanada del extremo izquierdo del eje.
- Deslizando el eje hacia la derecha, extraiga el separador, piñón y el conjunto de la rueda de fricción del eje. Vea la figura 25.
- Extraiga los seis tornillos del conjunto de la rueda de fricción (tres de cada lado). Extraiga la goma de la rueda de fricción situada entre la placa de la rueda de fricción.
- Vuelva a ensamblar la nueva goma de la rueda de fricción al conjunto de la rueda de fricción, ajustando los seis tornillos en rotación y con igual fuerza.
- Coloque en posición el conjunto de la rueda de fricción sobre la clavija del conjunto de la vara de cambios y deslice el eje a través de la rueda de fricción. Vea la figura 25.
- Deslice el eje dentro del D.I. hexagonal del piñón, el separador, y el rodamiento a bolillas izquierdo, y asegure con la arandela acopada y el perno hexagonal. Vea la figura 25.

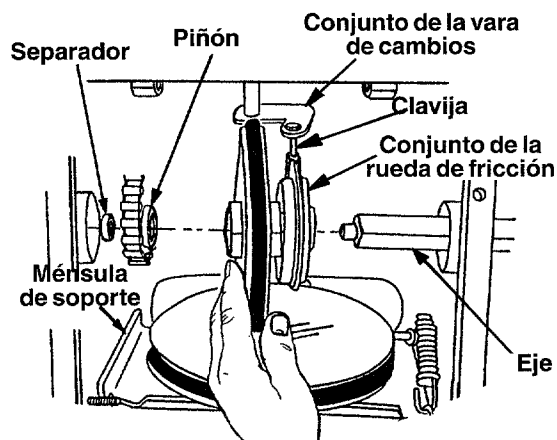


FIGURA 25

# AJUSTES



**Advertencia:** Antes de efectuar cualquier ajuste o reparación, siempre apague el motor, desconecte el cable de la bujía y aléjelo de la bujía.

Mientras el motor está funcionando, nunca trate de limpiar la canaleta ni efectuar ajustes.

## ENSAMBLADO DE LA CANALETA

Puede ajustarse la distancia a la cual se expelle la nieve mediante el ajuste del ángulo del conjunto de la canaleta. Refiérase a la sección de Control de este manual.

## ZAPATA DESLIZANTE

Puede ajustarse el espacio entre la placa raspadora y el suelo mediante el ajuste de la zapata deslizante. Refiérase a la página 5 de las Instrucciones de Preparación.

## CONTROL DEL PROPULSOR DE TRACCION

Para ajustar el control del propulsor de tracción, refiérase a la sección de Ajustes Finales. El ajuste puede inspeccionarse físicamente como sigue, si usted está inseguro de haber alcanzado el ajuste correcto.

- Drene la gasolina o coloque una lámina plástica debajo de la tapa de gasolina si el expulsor de nieve ya ha funcionado.
- Incline el expulsor de nieve hacia adelante y extraiga los cuatro tornillos autoroscantes que sujetan la cubierta del armazón debajo del expulsor de nieve.

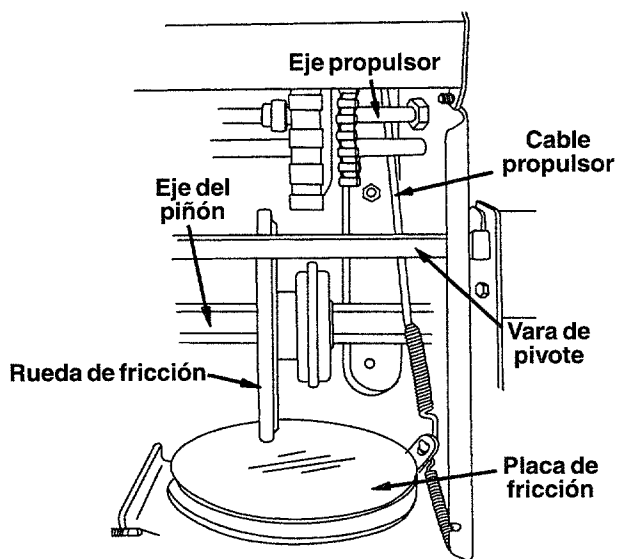


FIGURA 26

- Con el control del propulsor desenganchado, asegúrese que haya espacio entre la rueda de fricción y la placa de fricción en todas las posiciones de la palanca de cambios.
- Con el control del propulsor de tracción enganchado, asegúrese que la rueda de fricción toque la placa de fricción. Vea la figura 26.
- Si es necesario ajustar, afloje la tuerca de presión en el cable propulsor de tracción y enrosque el cable hacia adentro o hacia afuera según sea necesario.
- Ajuste la tuerca de presión para asegurar el cable cuando se alcance el ajuste correcto. Vuelva a ensamblar la cubierta del armazón.

**NOTA:** Si colocó plástico debajo de la tapa de gasolina, asegúrese de extraerlo.

## EMBRAGUE DE LA HELICE

Refiérase a la sección de Ajuste Final de la sección de Instrucciones de Preparación.

## VARA DE CAMBIOS

Para ajustar la vara de cambios, proceda como sigue.

- Extraiga el broche del cabello y la arandela plana del casquillo debajo del panel de cambios. Extraiga el casquillo del orificio de la palanca de cambios. Vea la figura 18.
- Coloque la palanca de cambios del panel del mango en la sexta (6) posición (todo hacia adelante).
- Presione hacia abajo sobre la vara de cambios (y conjunto del brazo de cambios) tan lejos como sea posible. Mantenga en esta posición.
- Enrosque el casquillo hacia arriba o hacia abajo de la vara de cambios según sea necesario hasta que el casquillo se alinee con el orificio superior de la palanca de cambios. Refiérase a la figura 9 en la página 7.
- Inserte el casquillo dentro del orificio superior de la palanca de cambios desde el lado derecho cuando el ajuste es correcto. Asegure con la arandela plana y el broche del cabello.
- Inspeccione por el ajuste correcto del control del propulsor de tracción según instruido en la sección de Ajuste Final de la página 4 antes de operar el expulsor de nieve.

## CARBURADOR



**ADVERTENCIA:** Si se efectúan ajustes al motor mientras el motor está funcionando (por ej. carburador), manténgase alejado de todas las piezas móviles. Tenga cuidado con todas las superficies y silenciadores calientes.

Para compensar por diferencias en combustible, temperatura, altitud y carga, puede requerirse un ajuste menor del carburador.

Para información sobre el ajuste del carburador refiérase al manual separado del motor empacado con su unidad.

# ALMACENAMIENTO DE FUERA DE TEMPORADA



**ADVERTENCIA:** Nunca almacene el motor con combustible en el tanque, bajo techo o en áreas mal ventiladas, donde los humos del combustible pueden llegar a una llama expuesta, chispas o una llama piloto ni sobre una cocina, calentador de agua, secador de ropas ni otros artefactos a gas.

Si la unidad va a almacenarse por más de 30 días, prepare para almacenamiento como sigue:

- Extraiga toda la gasolina del carburador y del tanque de combustible para prevenir que se formen depósitos de goma sobre esas piezas y causando un mal funcionamiento posible del motor.
- Haga funcionar el motor hasta que se vacíe el tanque de combustible y el motor se apague debido a la falta de combustible.
- Drene el carburador presionando hacia arriba sobre el drenaje del tazón, ubicado debajo de la cubierta del carburador.<sup>27</sup>

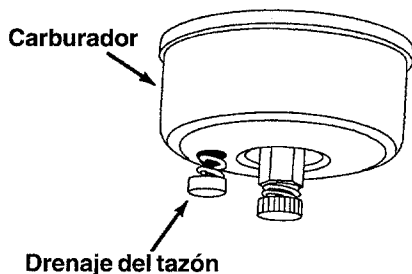


FIGURA 20



**ADVERTENCIA:** Drene el combustible dentro de un recipiente aprobado al aire libre, alejado de las llamas expuestas. Asegúrese que el motor esté frío. No fume.

El combustible dejado en el motor durante el tiempo caluroso se deteriora y causa problemas graves de arranque.

**NOTA:** El estabilizador de combustible (tal como STA-BIL) es una alternativa aceptable para minimizar la formación de depósitos de goma de combustible durante el almacenamiento. Siga siempre la relación de mezcla indicada en el recipiente del estabilizador. Haga funcionar el motor por 10 minutos por lo menos después de agregar estabilizador para permitirle que llegue al carburador. No drene el carburador si usa estabilizador de combustible.

- Extraiga la bujía y vierta una (1) onza de aceite de motor a través del orificio de la bujía dentro del cilindro. Intente arrancar el motor varias veces para distribuir el aceite. Vuelva a colocar la bujía.
- Extraiga toda la suciedad del exterior del motor y del equipo.
- Siga todas las recomendaciones de lubricación en las páginas 15 y 16.
- Almacene en un área limpia y seca.

**NOTA:** Al almacenar cualquier tipo de equipo motorizado en un galpón de almacenamiento no ventilado o de metal, debe tenerse cuidado en proteger el equipo contra la oxidación. Recubra el equipo, usando un aceite liviano o siliconas, especialmente las cadenas, resortes, rodamientos y cables.

## LISTA DE VERIFICACION

No almacene la unidad con combustible en el tanque bajo techo ni cerca de una cocina, calentador de agua, artefactos de gas o secador de ropas.

Antes de almacenar, extraiga toda la gasolina de la unidad.

Antes de almacenar drene el carburador.

Extraiga y limpie la bujía. Reemplace si fuera necesario.

Limpie el exterior del motor. Elimine toda la suciedad del expulsor de nieve.

Lubrique las piezas listadas en las páginas 15 y 16 de este manual de lubricación.

Proteja el equipo contra la oxidación antes de almacenar, si usted está almacenando el equipo en un área no ventilada.

Almacene en un área limpia y seca.



# TABLA DE LOCALIZACION DE FALLAS

Problema	Causa(s) posible	Accion Correctora
El motor no arranca	<ol style="list-style-type: none"> <li>1. Tanque de combustible vacío, o combustible rancio.</li> <li>2. Está cerrada la válvula de corte del combustible.</li> <li>3. La llave no está en el interruptor del motor.</li> <li>4. Está desconectado el cable de la bujía.</li> <li>5. Está bloqueada la tubería del combustible.</li> <li>6. Bujía defectuosa.</li> </ol>	<ol style="list-style-type: none"> <li>1. Llene el tanque con combustible limpio y fresco.</li> <li>2. Abra la válvula de corte..</li> <li>3. Inserte la llave.</li> <li>4. Conecte el cable a la bujía.</li> <li>5. Limpie la tubería de combustible.</li> <li>6. Limpie, ajuste la separación o reemplace.</li> </ol>
Funcionamiento errático del motor	<ol style="list-style-type: none"> <li>1. La unidad está funcionando en CHOKE.</li> <li>2. La tubería de combustible está bloqueada o combustible rancio.</li> <li>3. Agua o combustible en el sistema</li> <li>4. El carburador está desajustado.</li> </ol>	<ol style="list-style-type: none"> <li>1. Mueva la palanca del regulador a la posición OFF.</li> <li>2. Limpie la tubería de combustible; llene el tanque con gasolina limpia y fresca.</li> <li>3. Use el drenaje del tazón del carburador para drenar el tanque de combustible de combustible. Llene con combustible fresco.</li> <li>4. Ajuste el carburador. Vea el manual separado del motor.</li> </ol>
Pérdida de potencia	<ol style="list-style-type: none"> <li>1. Está flojo el cable de la bujía.</li> <li>2. Está obstruido el orificio de ventilación de la tapa.</li> </ol>	<ol style="list-style-type: none"> <li>1. Conecte y ajuste el cable de la bujía.</li> <li>2. Elimine el hielo y la nieve de la tapa. Asegúrese que esté libre el orificio de ventilación.</li> </ol>
El motor se sobrecalienta	<ol style="list-style-type: none"> <li>1. Está bajo el nivel de aceite.</li> <li>2. El carburador no está ajustado adecuadamente.</li> </ol>	<ol style="list-style-type: none"> <li>1. Llene el cárter con aceite correcto.</li> <li>2. Ajuste el carburador. Vea el manual separado del motor.</li> </ol>
Demasiada vibración	<ol style="list-style-type: none"> <li>1. Piezas flojas o hélice dañada.</li> </ol>	<ol style="list-style-type: none"> <li>1. Apague inmediatamente el motor y desconecte el cable de la bujía. Ajuste todos los pernos y tuercas. Efectúe todas las reparaciones necesarias. Si continúa la vibración, haga que se preste servicio a la unidad en un concesionario autorizado de servicio.</li> </ol>
Difícil de cambiar, o no se puede cambiar	<ol style="list-style-type: none"> <li>1. La vara de cambio está mal ajustada.</li> </ol>	<ol style="list-style-type: none"> <li>1. Reajuste la vara de cambios. Vea la sección de Ajustes de este manual.</li> </ol>
La unidad falla en la propulsión	<ol style="list-style-type: none"> <li>1. Ajuste incorrecto del embrague propulsor.</li> <li>2. La correa propulsora está floja o dañada.</li> </ol>	<ol style="list-style-type: none"> <li>1. Ajuste el embrague propulsor. Refiérase a la sección de Ajustes.</li> <li>2. Vuelva a colocar la correa propulsora. Refiérase a la sección de Mantenimiento.</li> </ol>
La unidad falla en descargar nieve	<ol style="list-style-type: none"> <li>1. Está roto el perno de corte de la hélice.</li> <li>2. La canaleta de descarga está taponada.</li> <li>3. Hay materia extraña depositada en la hélice.</li> <li>4. Ajuste incorrecto del embrague del propulsor de la hélice.</li> <li>5. La correa del propulsor de la hélice está floja o dañada.</li> </ol>	<ol style="list-style-type: none"> <li>1. Reemplace el perno de corte de la hélice. Refiérase a la sección de Mantenimiento.</li> <li>2. Apague inmediatamente el motor y desconecte el cable de la bujía. Limpie la canaleta de descarga y el interior del armazón de la hélice.</li> <li>3. Apague inmediatamente el motor y desconecte el cable de la bujía. Extraiga el objeto de la hélice.</li> <li>4. Ajuste el embrague de la hélice. Refiérase a la sección de Ajuste.</li> <li>5. Vuelva a colocar la correa propulsora de la hélice. Refiérase a la sección de Mantenimiento.</li> </ol>
La oruga no gira	<ol style="list-style-type: none"> <li>1. No está insertado el control de la oruga.</li> <li>2. Baje el soporte del cable (no. 52 en la página 24) sin que esté completamente en posición contra a caja de engranajes.</li> </ol>	<ol style="list-style-type: none"> <li>1. Inserte completamente el cable dentro del conjunto del gatillo.</li> <li>2. Afloje los dos tornillos autoroscantes a cada lado del soporte. Reajuste asegurándose que el perno esté completamente colocado en el fondo de la ranura.</li> </ol>
La palanca de cambios no calza en la posición de 6a. velocidad.	<ol style="list-style-type: none"> <li>1. La varilla de cambios está desajustada.</li> </ol>	<ol style="list-style-type: none"> <li>1. Extraiga la arandela y el broche de cabello. Gire el casquillo una vuelta en el sentido de las agujas del reloj y vuelva a instalar.</li> </ol>

**NOTA:** Por favor consulte con su Centro de Servicio SEARS más cercano, para reparaciones diferentes a los ajustes menores listados arriba. Al final de la versión en inglés de este manual, se incluye una lista completa de piezas de repuesto para su expulsor de nieve Sears.

**Sears se complace en ofrecer a sus clientes servicio de reparación de aparatos electrodomésticos y electrónicos de todas las marcas.**

**En Sears, usted puede contar con operadores en español, a los que puede llamar sin cargo alguno.**

**Para pedir servicio de reparación a domicilio,**

Llame 24 horas al día, 7 días a la semana

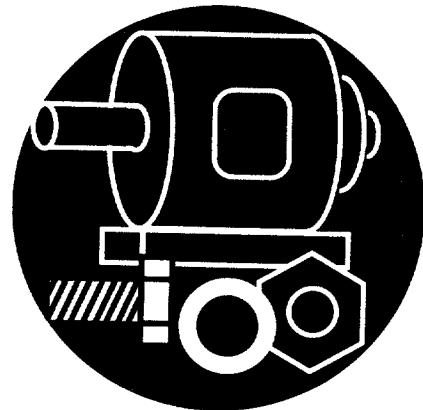
**1 800-676-5811**



**Para ordenar piezas con entrega a domicilio,**

Llame de 7 am a 7 pm, 7 días a la semana

**1 800-659-7084**



**SEARS**  
**REPAIR SERVICES**

## Free Manuals Download Website

<http://myh66.com>

<http://usermanuals.us>

<http://www.somanuals.com>

<http://www.4manuals.cc>

<http://www.manual-lib.com>

<http://www.404manual.com>

<http://www.luxmanual.com>

<http://aubethermostatmanual.com>

Golf course search by state

<http://golfingnear.com>

Email search by domain

<http://emailbydomain.com>

Auto manuals search

<http://auto.somanuals.com>

TV manuals search

<http://tv.somanuals.com>