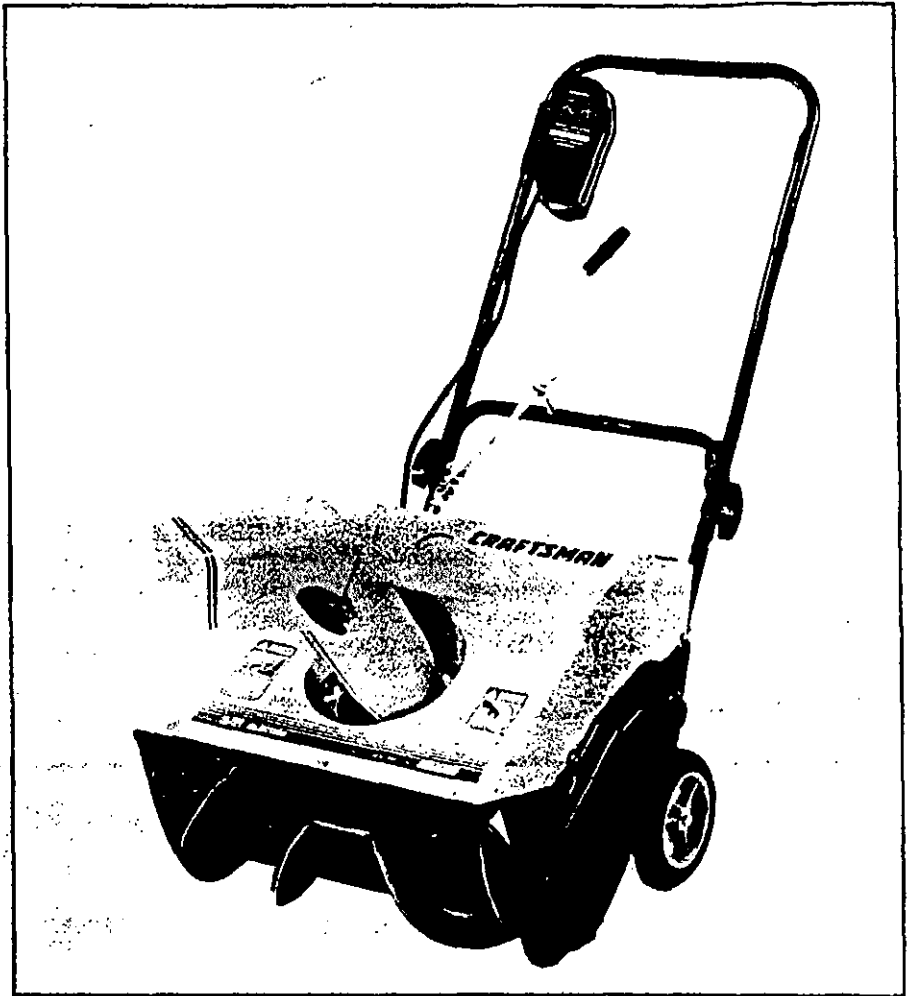


SEARS
owner's
manual

MODEL NO.
247.882900

CAUTION:

Read **SAFE OPERATION PRACTICES** and **INSTRUCTIONS** Carefully



SEARS

CRAFTSMAN®

21" ELECTRIC
DOUBLE INSULATED
SNOW THROWER

- Assembly
- Operating
- Maintenance
- Repair Parts

SEARS, ROEBUCK AND CO., Chicago, IL. 60684 U.S.A.

ONE YEAR LIMITED WARRANTY ON CRAFTSMAN SNOW THROWER

For one year from the date of purchase, when this Craftsman Snow Thrower is maintained, lubricated and tuned-up according to the instructions in the owner's manual, Sears will repair, free of charge, any defect in material and workmanship.

If this Craftsman Snow Thrower is used for commercial purposes, this warranty applies for only 90 days from the date of purchase.

This warranty does not cover:

- Expendable items which become worn during normal use, such as belts and spark plugs.
- Repairs necessary because of operator abuse or negligence, including bent motor shafts and the failure to maintain the equipment according to the instructions contained in the owner's manual.

WARRANTY SERVICE IS AVAILABLE BY RETURNING THE CRAFTSMAN SNOW THROWER TO THE NEAREST SERVICE CENTER/DEPARTMENT IN THE UNITED STATES. This warranty gives you specific legal rights, and you may also have other rights which vary from state to state.

SEARS, ROEBUCK AND CO., Department 698/731A, Sears Tower, Chicago, IL. 60684

OWNER'S INFORMATION

Record the following information about your unit so that you will be able to provide it in case of loss or theft.

DATE PURCHASED: _____ MODEL NO./CODE: 247.882900/ _____ (See nameplate at rear of unit)

STORE WHERE PURCHASED: ADDRESS _____

CITY: _____ STATE: _____ TELEPHONE: _____

MAINTENANCE AGREEMENT

A SEARS MAINTENANCE AGREEMENT IS AVAILABLE FOR THIS PRODUCT. CONTACT YOUR NEAREST SEARS STORE FOR DETAILS.

TABLE OF CONTENTS

WARRANTY.....	2
SAFE OPERATION PRACTICES.....	3-4
SET-UP INSTRUCTIONS.....	5
OPERATING INSTRUCTIONS.....	6-7
MAINTENANCE INSTRUCTIONS.....	7
STORAGE.....	8
TROUBLE SHOOTING.....	8
REPAIR PARTS.....	8-11
HOW TO ORDER REPAIR PARTS.....	12

IMPORTANT

SAFE OPERATION PRACTICES FOR WALK-BEHIND SNOW THROWERS



THIS SYMBOL POINTS OUT IMPORTANT SAFETY INSTRUCTIONS WHICH, IF NOT FOLLOWED COULD ENDANGER THE PERSONAL SAFETY AND/OR PROPERTY OF YOURSELF AND OTHERS. READ AND FOLLOW ALL INSTRUCTIONS IN THIS MANUAL BEFORE ATTEMPTING TO OPERATE YOUR SNOW THROWER.

IT IS IMPERATIVE IN OPERATING AND HANDLING THE SNOW THROWER THAT CERTAIN NORMAL PRECAUTIONS BE OBSERVED TO PREVENT THE POSSIBILITY OF INJURY OR DAMAGE. PLEASE READ THE SAFE OPERATION PRACTICES BEFORE YOU ASSEMBLE OR USE YOUR SNOW THROWER.

TRAINING:

Never allow children to operate a power product.

Give complete and undivided attention to the job at hand.

Read the instruction manual carefully - learn the proper use of the product and how to stop motor quickly in emergency.

Use the product only as the manufacturer intended and as described in this manual.

Never allow adults to operate equipment without proper instruction.

Keep hands and feet away from all moving parts.

Keep children away - all visitors should be kept a safe distance from work area.

Store idle product indoors - when not in use. Product should be stored indoors in dry, high or locked-up place out of reach of children.

Don't overreach - keep proper footing and balance at all times.

Exercise caution to avoid slipping or falling, especially when operating in reverse.

Maintain product with care - follow instructions for lubricating and maintaining the unit.

Regard your product as a piece of power equipment and teach this regard to all who operate the equipment.

Do not operate product after it has been dropped or damaged in any manner. Return product to nearest authorized service facility for examination and repair.

The use of accessory attachments not recommended by the product manufacturer may cause hazards.

PREPARATION: SAFEGUARDS FOR ALL ELECTRICAL PRODUCTS.

Don't force product - it will do the job better and safer at the rate for which it was designed.

Use right product - do not use product for any job except that for which it is intended.

Dress properly - do not wear loose clothing or jewelry. They can be caught in moving parts. Use of rubber gloves and footwear is recommended when working outdoors.

Allow motor and machine to adjust to outdoor temperature before clearing snow.

Don't abuse cord - never pull product by cord or yank it to disconnect from receptacle. Keep cord from heat, oil and sharp edges.

Warning - to reduce the risk of shock hazard use only with an extension cord suitable for outdoor use.

Disconnect product from the power supply when not in use and before servicing.

Avoid accidental starting - don't pull plugged-in product with finger on switch. Be sure switch is off when plugging in.

Thoroughly inspect area where equipment will be used and remove all doormats, sleds, boards, wires and other foreign objects.

Always wear safety glasses or eye shields during operation or while performing an adjustment or repair to protect eyes from foreign objects that may be thrown from the machine.

EXTENSION CORDS:

Use only UL approved outdoor extension cords of adequate gauge (min. 16 gauge recommended) which firmly fit the appliance's plug. Replace or repair damaged cords. Extension cords are available at your dealer.

If extension cord is damaged in any manner while plugged in, pull extension cord from wall receptacle.

The use of any extension cord will cause some loss of power. To keep this to a minimum and to prevent overheating and motor burn-out, use the largest wire size (smallest wire gauge number) extension cord available from your dealer. A minimum of 16 gauge wire (A.W.G.) is recommended for up to 100 feet. For longer lengths 12 gauge wire (A.W.G.) must be used for best motor performance.

Do not exceed a total of 200 feet in extension cord length to insure adequate performance.

GROUNDING - DOUBLE INSULATED SNOW THROWER

DOUBLE INSULATION IS A CONCEPT IN SAFETY, IN ELECTRIC SNOW THROWERS WHICH ELIMINATES THE NEED FOR THE USUAL THREE WIRE GROUNDED POWER CORD AND GROUNDING SUPPLY SYSTEM. WHEREVER THERE IS ELECTRICAL CURRENT IN THE SNOW THROWER THERE ARE TWO COMPLETE SETS OF INSULATION TO PROTECT THE USER. ALL EXPOSED METAL PARTS ARE ISOLATED FROM THE INTERNAL METAL MOTOR COMPONENTS WITH PROTECTIVE INSULATION.

IMPORTANT - SERVICING OF SNOW THROWER WITH DOUBLE INSULATION REQUIRES EXTREME CARE AND KNOWLEDGE OF THE SYSTEM AND SHOULD BE PERFORMED ONLY BY A QUALIFIED SERVICE TECHNICIAN. FOR SERVICE WE SUGGEST YOU RETURN THE SNOW THROWER TO YOUR NEAREST AUTHORIZED SERVICE STORE FOR REPAIR. ALWAYS USE ORIGINAL FACTORY REPLACEMENT PARTS WHEN SERVICING.

⚠ POWER SUPPLY

Fuses - The snow thrower should be operated on a minimum 15 AMP circuit. If difficulty in starting is experienced with your standard fuse or circuit breaker, a fuse stat or slow blowing fuse or circuit breaker may be used but should not exceed the original Ampere rating of your circuit. **DO NOT** use a higher rated fuse without consulting your power company.

Replace damaged cords immediately.

⚠ OPERATION

Give your complete and undivided attention to the job at hand.

Keep feet and hands well away from the auger and/or moving parts.

Do not use snow thrower on unpaved or graveled surfaces.

After striking a foreign object, stop the motor, unplug power cord. Thoroughly inspect the snow thrower for any damage. Repair the damage before restarting and operating the snow thrower.

Stop the motor whenever you leave the snow thrower, before crossing drives, walks or roads, or working on the snow thrower.

Operation of snow thrower in the hand held (transport) position is unsafe.

Check for breakage and repair any damage after striking foreign objects. Remember heavy vibration is generally a sign of trouble.

Shut motor off and wait until auger comes to a complete stop and remove power cord before removing snow and/or unclogging.

Always disconnect electric power cord before cleaning, repairing or adjusting the snow thrower.

Do not clear snow across the face of slopes. Exercise extreme caution when changing direction on slopes. Do not attempt to clear steep slopes.

Never operate snow thrower near glass enclosures, automobiles, window wells, drop-offs, etc. without proper adjustment of snow discharge angle. Keep children and pets away.

Do not overload the machine capacity by attempting to clear snow at too fast a rate.

Never direct discharge at bystanders or allow anyone in front of the unit.

Never operate the snow thrower without good visibility or light. Always be sure of your footing, and keep a firm hold on the handles. Walk; never run.

⚠ MAINTENANCE AND STORAGE:

Always properly maintain the snow thrower by following manufacturer's instructions - check all fasteners, guards and ports. Built-in safety features are effective only if maintained and kept in place.

Maintain or replace safety and instruction labels as necessary.

Run machine a few minutes after throwing snow to prevent freeze-up of the auger.

Allow motor to cool before storing in any enclosure.

DANGER

- DO NOT USE HANDS TO UNCLOG CHUTE.
- DO NOT WALK IN FRONT OF RUNNING MACHINE.
- DISCONNECT CORD BEFORE SERVICING OR REMOVING OBSTRUCTIONS FROM UNIT.
- DO NOT DIRECT DISCHARGE AT ANY BYSTANDERS.

WARNING: TO REDUCE THE RISK OF ELECTRICAL SHOCK - REPLACE DAMAGED CORD IMMEDIATELY.
CAUTION: UNIT TO BE USED FOR SNOW REMOVAL ONLY.

SET-UP INSTRUCTIONS

Read this manual in its entirety before attempting to assemble or operate the Snow Thrower. The Snow Thrower has been assembled at the factory with exception of those parts left unassembled for shipping purposes. All parts such as nuts, washers bolts, etc., necessary to complete the assembly, have been placed in the parts bag.

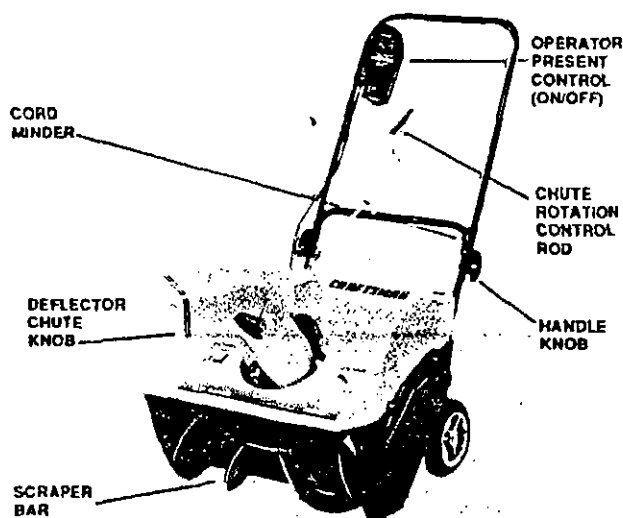
The following parts are included not assembled:

Loose Parts Bag (#14237) Containing:

- 1 - Chute Rotation Control Rod
- 1 - Guide Bracket (Eye Bolt)
- 2 - Hex Nuts 5/16-18
- 1 - Lock Washer 5/16"
- 1 - Cotter Pin

NOTE: Before assembling or operating unit, check for damage and/or missing parts.

REFERENCE PHOTO



SPECIFICATIONS

U.L. Listed: Yes
 Motor: 12 Amps 120 Volts A.C. (3HP Peak)
 Wheels: 7.0 x 1.50 Rib Tread
 Housing: Steel Construction - 21 in. wide
 Handles: 7/8 in. 18 Ga. steel - Folding upper
 Type: Auger Propelled
 Auger: 9 in. dia. Steel with replaceable rubber flightings.

This product is suitable for use with a U.L. approved outdoor, 100 foot, 2 or 3-wire extension cord. Extension cord jacket material should be made of rubber for ultimate flexibility and to prevent possible cracking under cold weather conditions.

Extension cords are available at your Sears store.

TOOLS REQUIRED FOR ASSEMBLY

Pliers and 1/2" or Adjustable Wrench

1. Remove the snow thrower and loose parts from carton and place unit on level work surface. Make certain all parts and literature have been removed from the carton before the carton is discarded.

2. Loosen the hand knob on each side of the upper handle and raise handle into operating position. Tighten hand knobs securely.

3. CHUTE ROTATION CONTROL ROD (See Figs. 1A & 1B).

- a). Slide guide bracket (eyebolt) onto rod.
- b). Slip rod into universal joint, rotate rod to align holes and insert cotter pin. With pliers, bend ends of cotter pin to secure.
- c). Thread one (1) 5/16-18 nut onto guide bracket (eyebolt) to bottom of threads (Do not tighten).
- d). Insert guide bracket into hole in lower handle cross bar from top side as shown.
- e). Assemble lock washer and remaining 5/16-18 nut to guide bracket. Thread nut until approximately 1/8" of threads extend out of the nut.
- f). Secure assembly to lower handle by tightening securely the nut on top side of handle cross bar.

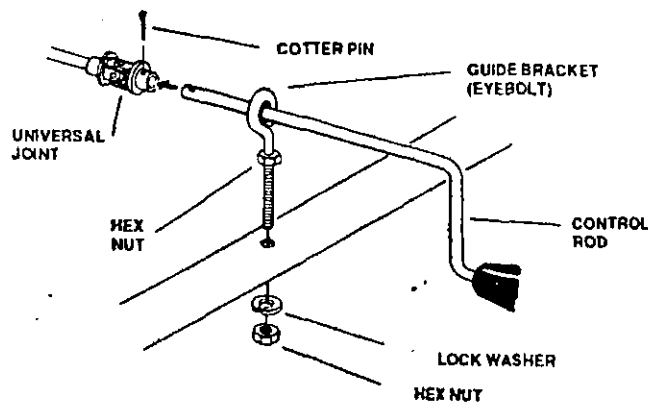


Fig. 1A

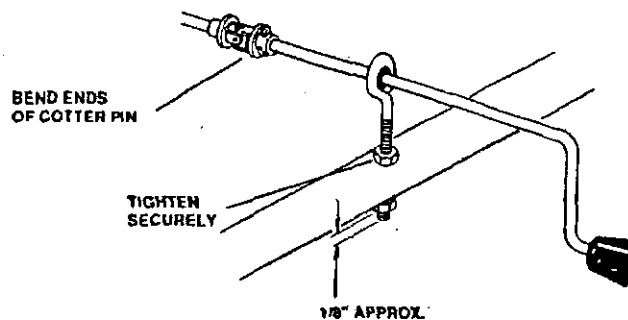


Fig. 1B

Make certain all nuts and bolts elsewhere on unit are tightened securely.

OPERATING INSTRUCTIONS



WARNING: This snow thrower is for use on sidewalks, driveways and other ground level surfaces. Caution should be exercised while using on sloping surfaces. **DO NOT** use snow thrower on surfaces above ground level such as roofs of residences, garages, porches or other such structures.

CORD CONNECTION

Use only U.L. listed rubber covered extension cord for outdoor use (SEE PAGES 3 & 5 for specifications).



WARNING: Make sure operator present control is in "OFF" position.

Connect extension cord to cord minder. Allow enough excess cord for loop to make switch box connection (approx. 24 inches) (See Fig. 2). Swing open spring loaded plug retainer and insert extension cord connector fully into switch box plug (See Fig. 3). **NOTE:** Your snow thrower switch box is equipped with a polarized AC power plug (one blade of the plug is wider than the other), which will fit into the power extension cord connector only one way (See Fig. 3). Should you be unable to insert the cord connector fully onto the switch box plug, try reversing the cord connector. Should the connector still fail to fit, contact your dealer for assistance. Do not defeat the safety purpose of the polarized plug.

Plug extension cord into outlet. See pages 3 - 4 for information on extension cords, power supply and grounding.

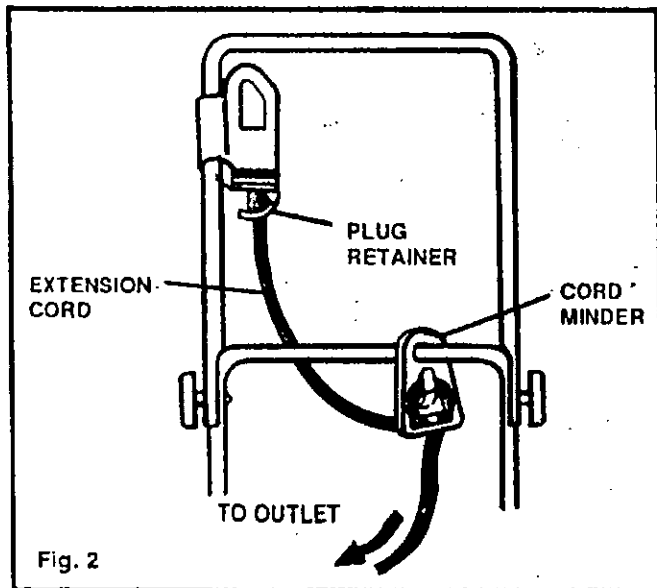


Fig. 2

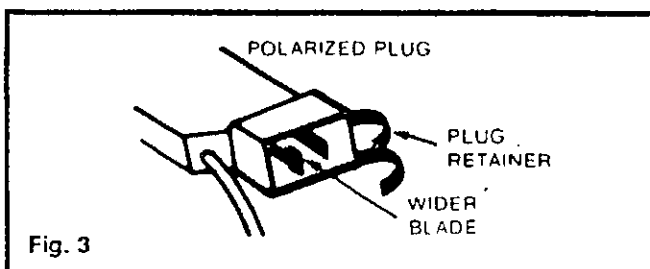


Fig. 3

OPERATOR PRESENT CONTROL (ON/OFF)

Your snow thrower is equipped with a safety switch which prevents unintentional starting of motor (See Fig. 4).

TO RUN - Lift lever with left forefinger and pull lever up with your right hand.

TO STOP - Release lever and motor will automatically shut-off. Disconnect from power supply cord.

CAUTION: Avoid repeated actuations of the control lever. Excessive "on-off" cycling will shorten the useful life of your unit.

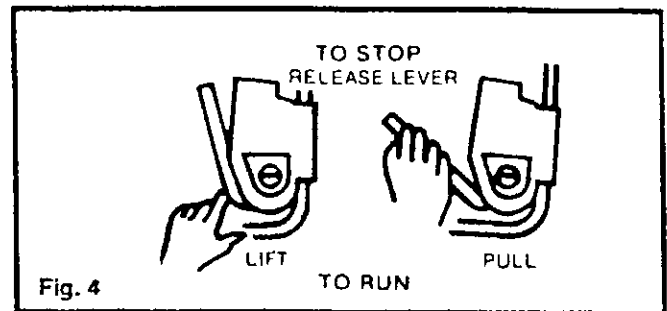


Fig. 4

CHUTE ROTATION CONTROL ROD

The chute rotation control rod is located on the lower handle (See REFERENCE PHOTO on page 5).

To change the direction in which snow is thrown, turn chute control rod as follows:

CLOCKWISE to discharge to the left.

COUNTERCLOCKWISE to discharge to the right.

DISCHARGE CHUTE ADJUSTMENT

The distance snow is thrown can be changed by adjusting the angle of the chute assembly. The lower the angle, the shorter the distance snow is thrown (See Fig. 5).

To adjust the chute angle, loosen the hand knob on the side of the chute, adjust chute to desired position and retighten hand knob securely.



WARNING: NEVER attempt to adjust or clean chute while the motor is running. Turn "OFF" and disconnect power supply cord.

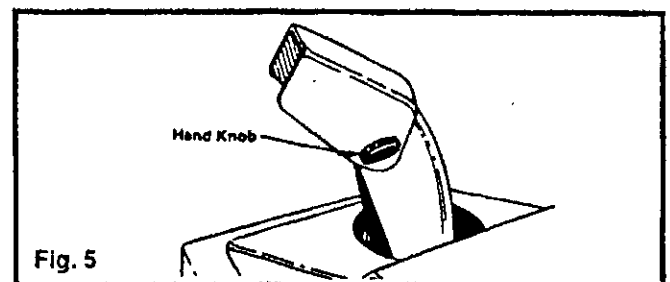


Fig. 5

GENERAL RECOMMENDATIONS

Due to the ease and convenience of your new snow thrower, you will find that the easiest way to keep your snow areas clean is through frequent use of the unit during a snowfall. Quicker removal can be made on fresh snow before footprints or tire tracks cause heavy packing.

Your snow thrower is designed so the rotation of the auger provides a propelling action. Guide unit into snow as you move in a direction away from the outlet to keep cord away from the auger. As you reach the end of a clearing and are ready to return for another path, turn unit around and be sure extension cord lies on area previously cleared. This will allow cord to be seen and out of the way of the auger.

To raise snow thrower to go over sidewalk cracks, irregular surfaces and the like, press down on the handle.

WARNING: Do not use unit on unpaved or gravel surfaces. Stones and gravel will damage the unit and can be dangerously propelled out the discharge chute by the auger.

DRY AND AVERAGE SNOW

Snow up to eight inch depth can be removed rapidly and easily by walking at a moderate rate. For snow or drifts of a greater depth you may find it desirable to slow your pace to allow the discharge chute to dispose of the snow as rapidly as the auger receives the snow.

Plan to have the snow discharged in the direction the wind is blowing.

WET PACKED SNOW

Move slowly into snow of this condition. The greater the depth, the slower you should go. When it appears that the wet, packed snow is causing the auger to slow down and the chute to clog, back off and begin a series of short jabs into the snow. These short back and forth, 4 to 6 inch, jabbing motions will "belch" the snow from the chute.

SNOW BANKS AND DRIFTS

In snow of greater depth than the unit, use the "jabbing" technique described above. Turn the discharge chute away from the snow bank, more time will be required to remove snow of this type than level snow.

CLEANING A FROZEN OR OBSTRUCTED AUGER OR DISCHARGE CHUTE

WARNING: Turn motor "OFF" and disconnect power supply cord.

Use a long thick wooden stick to clear auger or discharge chute. Do not position yourself in any manner that may be harmful to you if the auger is suddenly cleared.

MAINTENANCE INSTRUCTIONS

WARNING: Before performing any maintenance, adjustments or repairs, disconnect power supply cord to prevent accidental starting of the motor.

Keep all nuts, bolts and screws tight to be sure equipment is in safe working condition.

SCRAPER BAR

The scraper bar on the bottom of the snow thrower housing is subject to wear. It should be checked periodically and replaced when necessary (See REPAIR PARTS section of this manual).

To remove the scraper bar, remove the four (4) carriage bolts, flat washers and hex nuts which attach it to the snow thrower housing. Reassemble new scraper bar, making sure the heads of the carriage bolts are on the inside of the housing. Tighten securely.

BELT REPLACEMENT

1. Remove the belt cover by removing four (4) screws securing cover to housing (See Fig. 6).

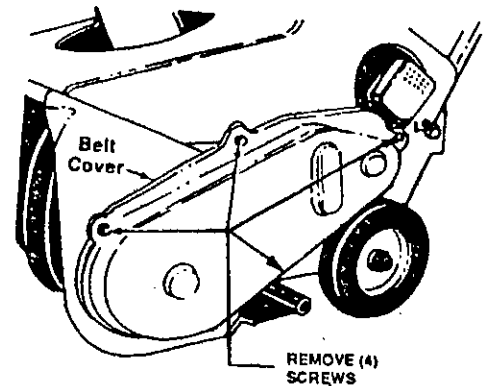


Fig. 6

2. Pull upward on the idler pulley and slip the belt off jackshaft pulley (See Fig. 7).

3. Release idler pulley and slip the belt off auger pulley (See Fig. 7).

4. Reassemble new belt in reverse order. Replace belt cover. Tighten screws securely.

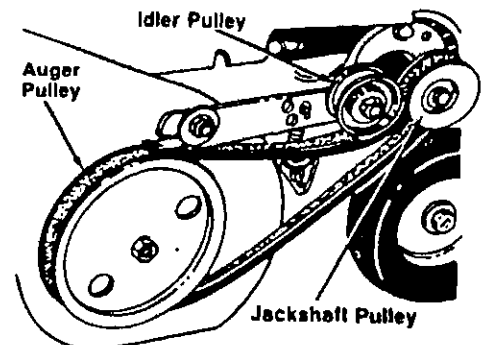


Fig. 7

STORAGE

If unit is to be stored over 30 days, prepare for storage as follows:

1. Remove all dirt from exterior of unit.
2. Block the unit up so that it is not resting on the rubber auger paddles.

NOTE: Store your snow thrower in a clean, dry, well ventilated area to avoid rust and deterioration during storage.

TROUBLE SHOOTING CHART

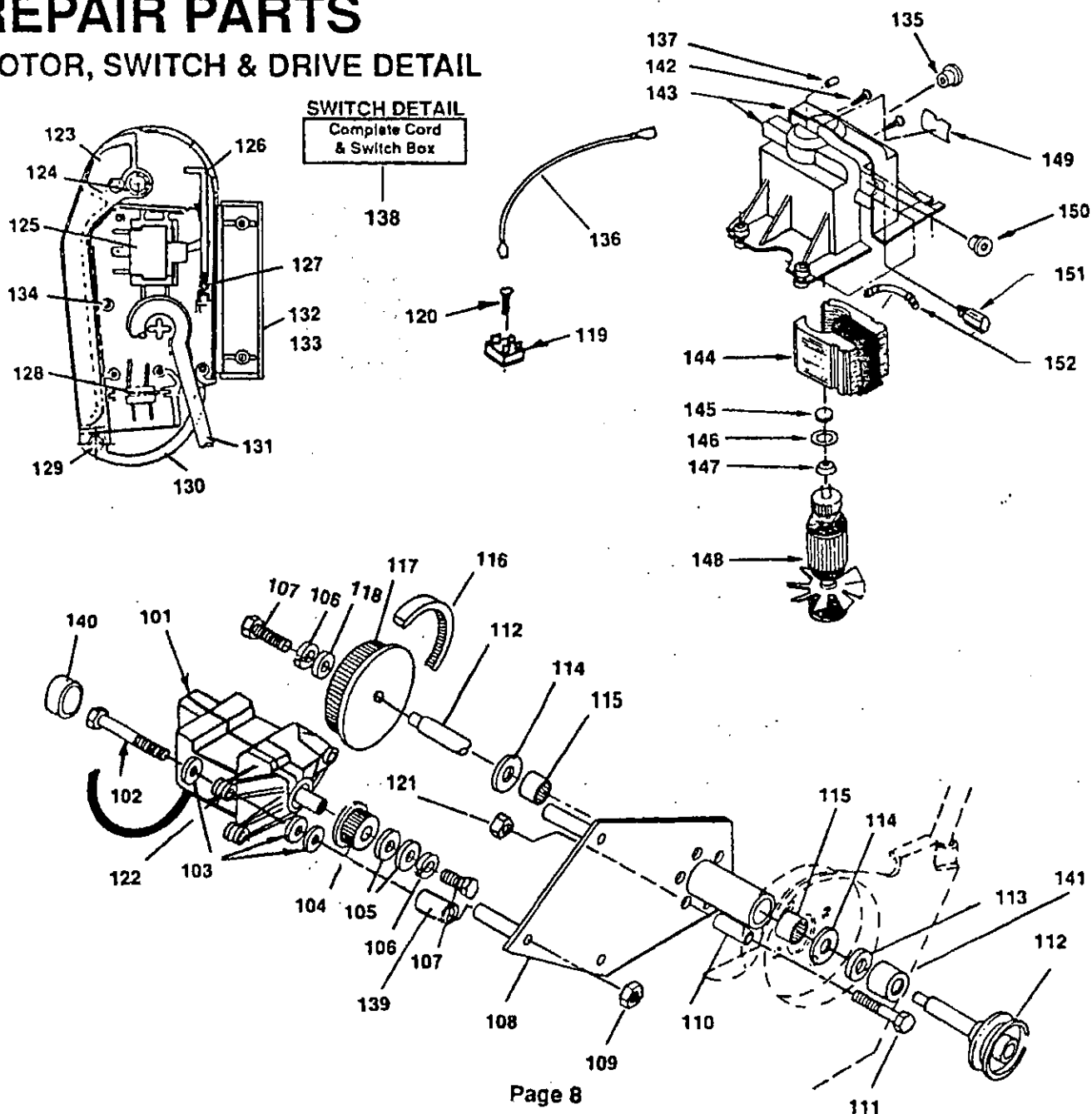
WARNING: Disconnect power supply cord before attempting any remedy.

DOES NOT START	<ol style="list-style-type: none"> 1. Be sure that the extension cord is plugged into the outlet and the snow thrower switch plug. 2. Check to see if a fuse has been blown or a circuit breaker tripped in your electrical box. 3. Be sure switch lever is in full run position.
EXCESSIVE VIBRATION	Check for damaged or loose parts. If vibration persists, have the snow thrower and motor checked by your nearest Authorized Service Dealer before continuing to use.
APPARENT LOSS OF POWER - MOTOR STALLS	<ol style="list-style-type: none"> 1. Check for snow and ice accumulation around all moving parts. 2. Clean inside of auger housing.
POOR SNOW DISCHARGE	<ol style="list-style-type: none"> 1. Clean auger housing and chute area. 2. Check for excessively worn or damaged auger.

SEARS CRAFTSMAN 21" ELECTRIC SNOW THROWER MODEL NO. 247.882900

REPAIR PARTS

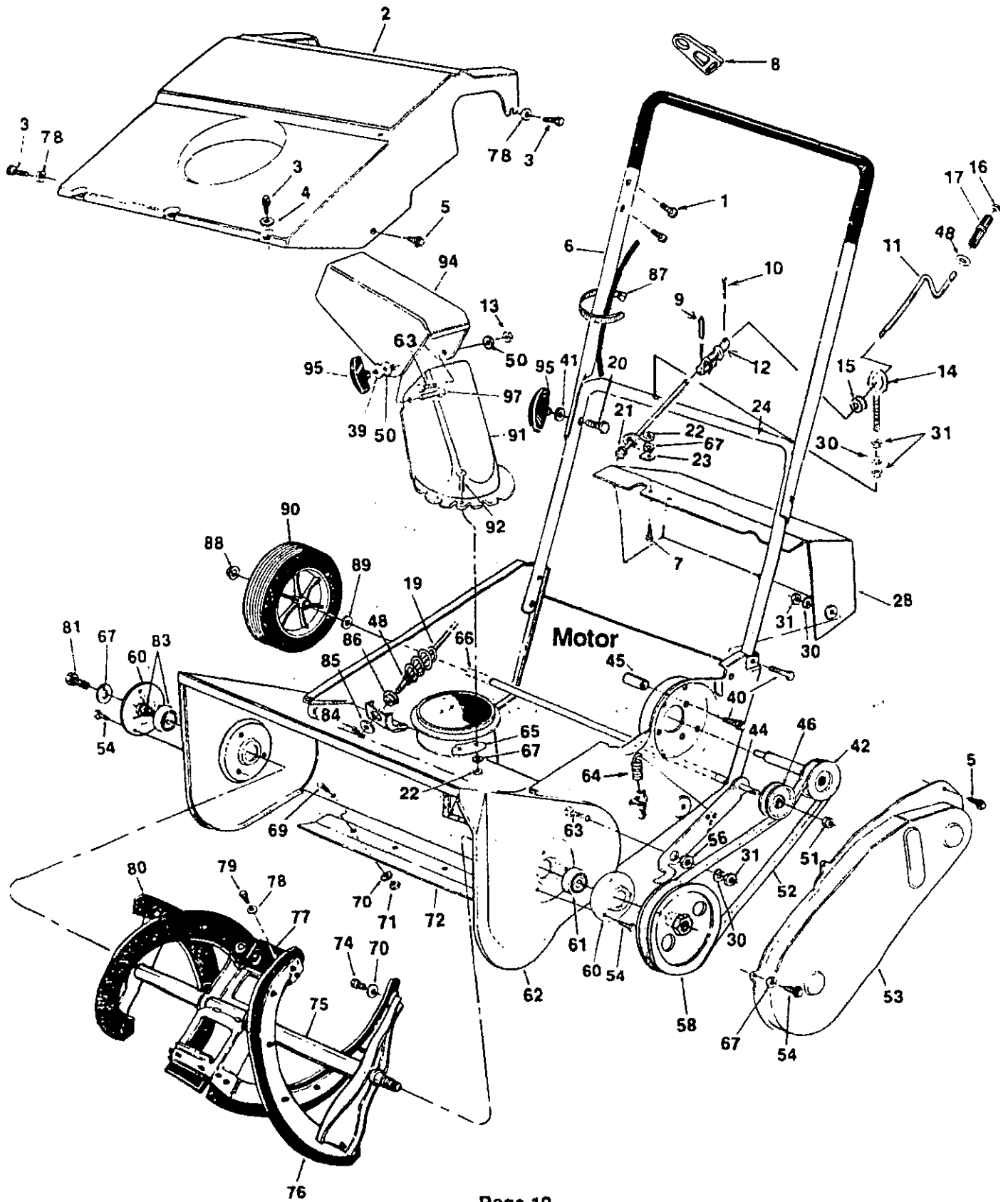
MOTOR, SWITCH & DRIVE DETAIL



REPAIR PARTS LIST**MOTOR, DRIVE & SWITCH DETAIL**

KEY NO.	PART NO.	DESCRIPTION
101	AC14244-01	Motor & Switch Box Ass'y (Includes Nos. 104, 105, 106, 107, 122)
102	AC10028-52	Hex Bolt 1/4-20 x 3-1/4" Grade 5 Special
103	STD551025	Washer 1/4"
104	AC11619	Pulley - Motor (22T)(Part of Armature & Bearing Ass'y #148)
105	AC10078	Washer (Special)
106	STD551125	Lock Washer 1/4"
107	STD522507	Hex Bolt 1/4-20 x 3/4" Grade 5 Special
108	AC10548-01	Plate Assembly (Includes Bearings #115)
109	STD541425	Lock Nut 1/4-20
110	750-0589	Spacer
111	STD523115	Hex Bolt 5/16-18 x 1-1/2"
112	AC15743-01	Pulley & Shaft Assembly
113	736-0162	Washer
114	AC10014-01	Washer-Thrust
115	AC11624	Bearing-Needle
116	AC11621	Belt-Cog
117	AC11620	Pulley-Shaft (71T)
118	AC12066	Washer-Special
119	AC10287	Rectifier
120	AC10044-12	Screw-Tapping #10-24 x 3/4"
121	STD541431	Lock Nut 5/16-18
122	AC10144-01	Insulator-Motor Housing
123	AC15788	Handle-Switch Actuator
124	AC11682-01	Spring-Switch Handle
125	AC15789-01	Switch
126	AC15791	Latch
127	AC15794	Spring-Latch
128	AC15797	Plug-2 Prong (Part of Cord Ass'y #131)
129	AC11688	Spring-Cord Retainer
130	AC11689-00-90	Cord Retainer
131	AC14249	Cord Assembly (Includes Plug #128 and all Terminals)
132	AC15787	Housing-Upper Half
133	AC15787-01	Housing-Lower Half
134	AC12461-08	Screw #6 x 1/2" Drive (Not Shown)
135	AC10288	Bushing-Split
136	AC10466	Jumper Wire Assembly (Blue)
137	AC10053	Pad - Pressure
138	AC14245	Cord & Switch Box Assembly Complete
139	AC13923	Spacer Insulator
140	AC13924	End Cap Insulator
141	748-0201	Spacer
142	AC10040-18	Screw - Motor Housing (Special)
143	AC12904-01	Kit - Motor Housing (Both Halves)
144	AC10463	Field Assembly
145	AC10030	Oil Wick
146	AC10038	"O" Ring
147	AC10034-01	Bearing - Spherical
148	AC10554	Armature & Pulley Assembly (Includes Nos. 104, 105, 106, 107)
149	AC10393	Spring - Field
150	AC10064	Strain Relief
151	AC10506	Brush Assembly
152	AC10066	Wire Tie

REPAIR PARTS



SEARS CRAFTSMAN 21" ELECTRIC SNOW THROWER MODEL NO. 247.882900

REPAIR PARTS LIST

KEY NO.	PART NO.	DESCRIPTION	KEY NO.	PART NO.	DESCRIPTION
1	AC10220-16	Screw (Switch Box Mtg.)	54	710-0352	Screw 1/4 x 3/8" (Special Tap.)
2	731-1050	Shroud - 21" Snow Thrower	56	748-0234	Spacer-Shoulder
3	710-0429	Screw #10 x 3/8" (Special Tap.)	58	756-0475	Pulley - "V" 1/2-20 LH Thread
4	736-0370	Washer - Spring	60	784-5174	Cup-Bearing
5	710-0892	Screw 1/4 x 5/8" (Special Tap.)	61	741-0124	Ball Bearing
6	AC14218	Upper Handle (w/Vinyl)	62	AC14214-01-90	Housing Assembly - 21" Electric
7	STD522505	Hex Bolt 1/4-20 x 1/2"	63	710-0323	Screw 5/16-18 x 3/4" Truss Mach.
8	AC10146	Cord Minder	64	AC15739	Spring - Idler
9	715-0138	Roll Pin 1/8 x 5/8"	65	731-0851	Keeper - Chute Flange
10	AC13018-16	Cotter Pin (Stainless Steel)	66	AC11015-03	Axle - Wheel
11	747-0718	Chute Crank-Upper	67	STD551125	Lock Washer 1/4"
12	784-5149	Universal Joint	69	710-0167	Carriage Bolt 1/4-20 x 5/8"
13	STD541431	Hex Lock Nut 5/16-18	70	STD551025	Washer 1/4"
14	747-0416	Eyebolt	71	STD541225	Hex Jam Nut 1/4-20
15	741-0475	Bushing-Eyebolt	72	731-1033	Scraper Bar
16	726-0100	Retainer-Push Cap 3/8"	74	710-0896	Screw 1/4 x 5/8" (Special Tap.)
17	720-0171	Knob - Chute Rod	75	784-5335	Auger Assembly - 21"
19	747-0720	Chute Crank-Lower	76	731-0781	Rubber Spiral - LH
20	710-0405	Saddle Bolt 5/16-18 x 1-3/4"	77	731-0782	Rubble Paddle
21	735-0218	Grommet - Chute Control Rod	78	736-0400	Washer 3/16 ID x 7/8 OD
22	STD541025	Hex Nut 1/4-20	79	710-1003	Screw #10 x 5/8" (Special Tap.)
23	784-5178	Bracket-Chute Control Rod	80	731-0780	Rubber Spiral - RH
24	AC14219	Lower Handle	81	710-0875	Screw 1/4 x 5/8" (Special Tap.)
28	AC15714-01-90	Dash Panel (Electric)	83	753-0374	Kit - Bearing and Collar
30	STD551131	Lock Washer 5/16"	84	STD560907	Cotter Pin 3/32" x 3/4"
31	STD541031	Hex Nut 5/16-18	85	736-0234	Washer 3/8 ID x 1-1/2 OD
39	736-0242	Bell-Washer .345 ID x .88 OD	86	741-0403	Hex Bushing
40	STD523115	Hex Bolt 5/16-18 x 1-1/2"	87	AC10311	Plastic Tie
41	AC10057	Saddle Washer	88	726-0221	Retainer - Push Cap 1/2"
42	AC15743	Pulley & Shaft Assembly	89	STD551050	Washer 1/2"
44	784-5180	Idler Arm Assembly	90	AC14217	Wheel - 7"
45	750-0589	Spacer	91	731-0920	Lower Chute
46	756-0313	Idler - Flat (2-1/8" OD)	92	710-0255	Screw 1/4-20 x 7/8" Truss Mach.
48	736-0140	Washer 3/8 ID x 5/8 OD	94	731-1040	Upper Chute
50	736-0231	Washer 5/16 ID x 1-1/4 OD	95	09966	Hand Knob
51	STD541537	Hex Lock Nut 3/8-24	97	STD533110	Carriage Bolt 5/16-18 x 1"
52	754-0101	"V"-Belt 1/2" x 35" Long	NS	AC14209-04	Owner's Manual (Not Shown)
53	784-5176	Belt Cover			

SEARS **owner's** **manual**

MODEL NO.
247.882900

SEARS
SERVICE
is at
YOUR
SERVICE

How to ORDER Repair Parts

The Model Number will be found on a plate attached to your Snow Thrower at the rear of the motor shroud. Always mention the Model Number when requesting service or repair parts for your Craftsman Snow Thrower.

All parts listed herein may be ordered from any SEARS, ROEBUCK AND CO. retail or catalog store.

WHEN ORDERING REPAIR PARTS, ALWAYS GIVE THE FOLLOWING INFORMATION:

1. PART NUMBER
2. PART DESCRIPTION
3. MODEL NUMBER - 247.882900
4. NAME OF UNIT - 21" ELECTRIC SNOW THROWER

If the parts you need are not stocked locally, your order will be electronically transmitted to a Sears Repair Parts Distribution Center for expedited handling.

Your Sears Merchandise has added value when you consider that Sears has Service Units Nationwide staffed with trained technicians.... professional technicians specifically trained on Sears products, having the parts, tools and equipment to insure that we meet our pledge to you... we service what we sell.

706-
SEARS, ROEBUCK AND CO., Chicago, IL. 60684 U.S.A.

Free Manuals Download Website

<http://myh66.com>

<http://usermanuals.us>

<http://www.somanuals.com>

<http://www.4manuals.cc>

<http://www.manual-lib.com>

<http://www.404manual.com>

<http://www.luxmanual.com>

<http://aubethermostatmanual.com>

Golf course search by state

<http://golfingnear.com>

Email search by domain

<http://emailbydomain.com>

Auto manuals search

<http://auto.somanuals.com>

TV manuals search

<http://tv.somanuals.com>