

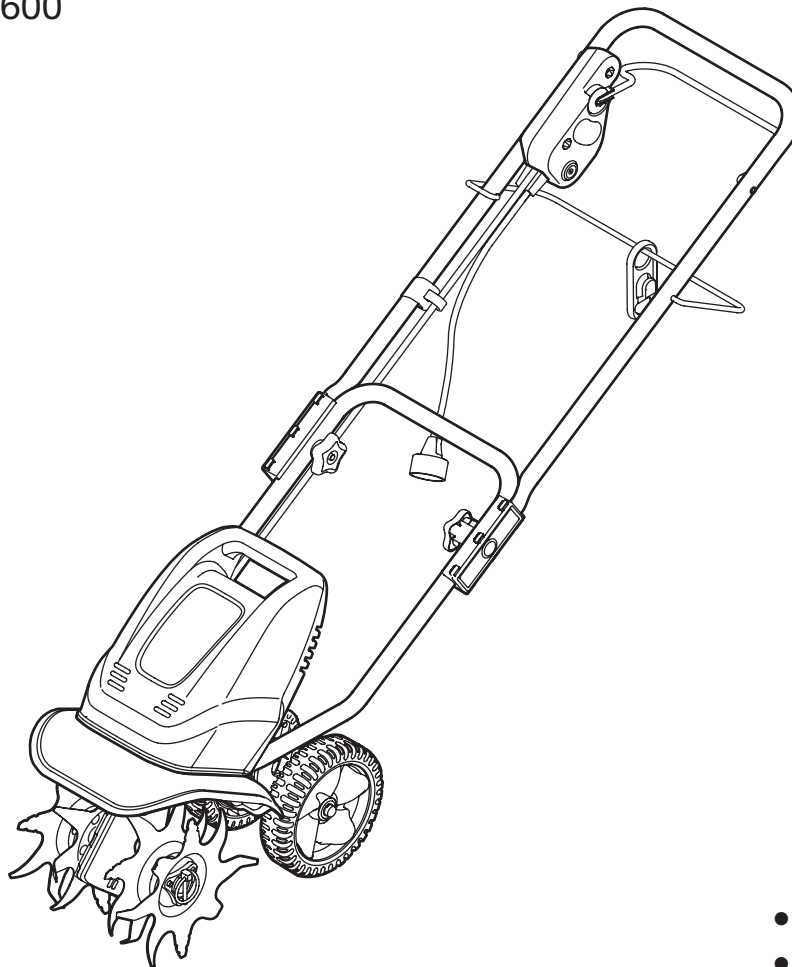
Operator's Manual

CRAFTSMAN[®]

Electric

CULTIVATOR

Model No. 316.292600



CAUTION: Before using this product, read this manual and follow all safety rules and operating instructions.

- SAFETY
- ASSEMBLY
- OPERATION
- MAINTENANCE
- PARTS LIST



Sears, Roebuck and Co., Hoffman Estates, IL 60179, U.S.A.
Visit our website: www.sears.com/craftsman

FORM NO. 769-01643
(03/30/2005)

TABLE OF CONTENTS

Warranty	Page 2	Troubleshooting	Page 13
Safety Rules	Pages 3-7	Specifications	Page 13
Assembly	Pages 8-9	Parts List	Pages 14-15
Starting/Stopping Instructions	Page 10	Repair Protection Agreement	Page 16
Operation	Page 11	Service Numbers	Back Cover
Maintenance and Repair	Pages 12		

WARRANTY STATEMENT

TWO YEAR FULL WARRANTY ON CRAFTSMAN ELECTRIC CULTIVATOR

For two years from the date of purchase, when this Cultivator is used and maintained according to the operator's manual, Sears will repair any defect in material or workmanship free of charge.

This warranty excludes tines, which are expendable parts that can wear out from normal use in less than two years.

This warranty is void if this Cultivator is used for commercial or rental purposes.

WARRANTY SERVICE AVAILABLE BY RETURNING THIS CULTIVATOR TO THE NEAREST SEARS STORE OR SEARS PARTS & REPAIR CENTER IN THE UNITED STATES.

This warranty gives you specific legal rights, and you may also have other rights which vary from state to state.

Sears, Roebuck and Co., Dept. 817WA, Hoffman Estates, IL 60179

RULES FOR SAFE OPERATION

READ ALL INSTRUCTIONS!

Read the Operator's Manual(s) and follow all warnings and safety instructions. Failure to do so can result in serious injury to the operator and/or bystanders.

The purpose of safety symbols is to attract your attention to possible dangers. The safety symbols, and their explanations, deserve your careful attention and understanding. The safety warnings do not by themselves eliminate any danger. The instructions or warnings they give are not substitutes for proper accident prevention measures.



SAFETY ALERT:

Indicates danger, warning or caution. Attention is required in order to avoid serious personal injury. May be used in conjunction with other symbols or pictographs.

NOTE: Advises you of information or instructions vital to the operation or maintenance of the equipment.



DANGER: Failure to obey a safety warning will result in serious injury to yourself or to others. Always follow the safety precautions to reduce the risk of fire, electric shock and personal injury.



WARNING: Failure to obey a safety warning can result in injury to yourself and others. Always follow the safety precautions to reduce the risk of fire, electric shock and personal injury.



CAUTION: Failure to obey a safety warning may result in property damage or personal injury to yourself or to others. Always follow the safety precautions to reduce the risk of fire, electric shock and personal injury.

• IMPORTANT SAFETY INSTRUCTIONS •

WARNING: When using electric gardening appliances, basic safety precautions should always be followed to reduce the risk of fire, electric shock, and personal injury, including the following:

TRAINING



WARNING: When using the unit, you must follow the safety rules. Please read these instructions before operating the unit in order to ensure the safety of the operator and any bystanders. Please keep these instructions for later use.

- Read, understand, and follow all instructions on the machine and in the manual(s) before attempting to assemble and operate. Be thoroughly familiar with the controls and the proper use of the cultivator. Keep this manual in a safe place for future and regular reference and for ordering replacement parts.
- Be familiar with all controls and their proper operation. Know how to stop the machine and disengage tines quickly.
- Never allow children under 14 years old to operate this machine. Children 14 years old and over should read and understand the operation instructions and safety rules in this manual and should be trained and supervised by a parent.
- Never allow adults to operate this machine without proper instruction.
- Keep bystanders, helpers, pets, and children at least 50 feet from the machine while it is in operation. Stop machine if anyone enters the area.

PREPARATION

- Thoroughly inspect the area where the equipment is to be used. Remove all stones, sticks, wire, and other foreign objects which could be tripped over and cause personal injury.



WARNING: To reduce risk of electric shock use only UL Listed extension cord suitable for outdoor use, such as Type SW-A, SOW-A, STW-A, STOW-A, SJW-A, SJOW-A, SJTW-A, or SJTOW-A.

- **Extension Cord**— Make sure your extension cord set is in good condition, is heavy enough to carry the current your cultivator will draw.

MINIMUM WIRE SIZE FOR EXTENSION CORDS FOR 120 VOLT APPLIANCES USING 6-10 AMPS

Cord Length (ft.)	25	50	100	150
Wire Size (AWG)	18	16	14	12

If in doubt, use the next heavier gage cord. The smaller the gage number, the heavier the cord. An undersized cord will cause a drop in line voltage resulting in loss of power and overheating. To reduce the likelihood of disconnection of the extension cord set from the cultivator, be sure to use the cord restraint provided.

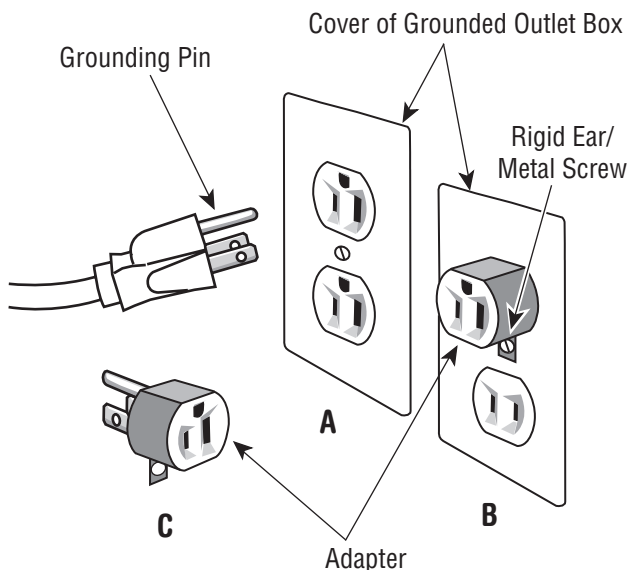
RULES FOR SAFE OPERATION

- If extension cord is damaged in any manner while plugged in, disconnect extension cord from house receptacle.



WARNING: Do not change the plug on the cultivator in any way.

- Inspect cultivator cord periodically, and if damaged, have it repaired by an authorized service facility. Inspect extension cord periodically and replace if damaged.
- Dress properly. Wear sturdy, rough-soled work shoes and close-fitting slacks and shirts. Loose fitting clothes or jewelry can be caught in movable parts. Never operate this machine in bare feet or sandals. Use of rubber gloves is recommended when working outdoors. Wear protective hair covering to contain long hair.
- Wear safety glasses or goggles when operating this unit. Wear a face or dust mask if the operation is dusty. Such protective equipment is available from your authorized service dealer or retailer.
- Use the right tool. Do not use cultivator for any job except that for which it is intended.
- **Grounding Instructions**—The cultivator should be grounded while in use to reduce the risk of electric shock to the operator. The cultivator is equipped with a three-conductor cord and a three-prong grounding plug to fit the proper grounding receptacle. The green (or green and yellow) wire conductor in the cord is the grounding wire. Never connect the green (or green and yellow) wire to a live terminal. Your cultivator has a plug as illustrated in Fig. A. An adapter, illustrated in Fig. B to two-prong receptacles. The green-colored rigid ear, lug, or the like, must be connected to a permanent ground, such as a properly grounded outlet box.



- Use only three-wire outdoor extension cords that have three-prong grounding plugs and grounding receptacles that accept the cultivator's plug.
- Keep handle dry, clean, and free from oil and grease.
- **Fuses**—The cultivator should be operated on a 15 or 20 AMP circuit. If difficulty in starting is experienced with a standard 15 AMP fuse or circuit breaker or the cultivator's built-in overload protection switch frequently trips, contact your nearest authorized service location. Do not use a higher rated fuse without consulting your power company.
- Ground Fault Circuit Interrupter (GFCI) protection should be provided on the circuit(s) or outlet(s) to be used for the cultivator. Receptacles are available having built-in GFCI protection and may be used for this measure of safety.
- Never attempt to make any adjustments while motor is running.

OPERATION

- Avoid dangerous environment. Don't use cultivator in damp or wet locations.
- Don't use the cultivator in the rain.
- Do not operate cultivator on excessively steep slopes.
- Avoid unintentional starting. Don't carry plugged-in cultivator with your hands/fingers on the motor starting controls.
- Do not abuse cord. Never pull or carry the cultivator by cord or yank the cord to disconnect it from the receptacle. Keep cord away from heat, oil, and sharp edges.
- If extension cord is damaged in any manner while plugged in, disconnect extension cord from house receptacle.
- Do not put hands or feet near rotating parts. Contact with the rotating parts can amputate fingers, hands, and feet.
- Do not operate machine while under the influence of alcohol or drugs.
- Only operate cultivator in daylight or good artificial light. Don't overreach. Keep proper footing and balance and a firm hold on the handle at all times.
- Stay alert. Watch what you are doing. Use common sense. Do not operate cultivator when you are tired.
- Don't force cultivator. It will do a better job and with less likelihood of a risk of injury if operated at the rate for which it was designed
- Keep bystanders, helpers, pets, and children at least 50 feet from the machine while it is in operation. Stop machine if anyone enters the area.

RULES FOR SAFE OPERATION

- Be careful when cultivating in hard ground. The tines may catch in the ground and propel the cultivator forward. If this occurs, let go of the handle and do not restrain the machine.
- Never operate the machine at high transport speeds on hard or slippery surfaces.
- Exercise caution to avoid slipping or falling.
- Look down, behind, and use care when pulling machine towards you.
- Start the motor according to the instructions found in this manual and keep feet well away from the tines at all times.
- After striking a foreign object, stop the motor and disconnect the power cord to prevent accidental starting. Thoroughly inspect the machine for any damage. Repair the damage before starting and operating.
- Stop the motor, disconnect the power cord to prevent accidental starting and wait until the tines come to a complete stop before unclogging the tines, making any adjustments, or inspections.
- Use caution when cultivating near fences, buildings and underground utilities. Rotating tines can cause property damage or personal injury.
- Do not overload machine capacity by attempting to cultivate soil too deep or too fast of a rate.
- If the machine should start making an unusual noise or vibration, stop the motor and disconnect the power cord to prevent accidental starting. Inspect machine thoroughly for damage. Repair any damage before starting motor and operating.
- Keep all shields, guards and safety devices in place and operating properly.
- To avoid an electrical shock hazard, never push or pull the cultivator over the electrical cord while operating.
- When picking up the cultivator, use the handle provided. Don't grasp the tines when picking up or holding the cultivator. Never pick up or carry machine while the motor is running.
- Use only attachments and accessories approved by the cultivator manufacturer. Failure to do so can result in personal injury and/or damage to your cultivator.
- If situations occur which are not covered in this manual, use care and good judgment.

MAINTENANCE AND STORAGE

- Never tamper with safety devices. Check their proper operation regularly.
- Check bolts and screws for proper tightness at frequent intervals to keep the machine in safe working condition. Also, visually inspect machine for any damage.
- Before leaving the equipment, changing tine width, cleaning, repairing, making adjustments and the like, stop the motor, disconnect the power cord to prevent accidental starting and make certain the tines and all moving parts have stopped.
- Do not wash cultivator with a hose. Avoid getting water on motor and electrical connections
- Maintain or replace safety and instruction labels, as necessary.
- Follow this manual for safe loading, unloading, transporting, and storage of this machine.
- Always refer to the operator's manual for proper instructions on off-season storage. When not in use, cultivator should be stored indoors in a dry, and high or locked-up place out of the reach of children.
- Maintain cultivator with care. Follow instructions for lubrication and cleaning.
- Check for damaged parts. Before further use, a guard or other part that is damaged should be carefully checked to determine that it will operate properly and perform its intended function. Check alignment of moving parts, binding of moving parts, breakage of parts, mounting, and any other condition that may affect its operation. A guard or other part that is damaged should be properly repaired or replaced by an authorized service center.



WARNING: Restrict the use of this power machine to persons who read, understand and follow the warnings and instructions in this manual and on the machine.

SAVE THESE INSTRUCTIONS

RULES FOR SAFE OPERATION

SAFETY AND INTERNATIONAL SYMBOLS

This operator's manual describes safety and international symbols and pictographs that may appear on this product. Read the operator's manual for complete safety, assembly, operating and maintenance and repair information.

SYMBOL

MEANING



- **SAFETY ALERT SYMBOL**

Indicates danger, warning, or caution. May be used in conjunction with other symbols or pictographs.



- **READ OPERATOR'S MANUAL**

WARNING: Read the Operator's Manual(s) and follow all warnings and safety instructions. Failure to do so can result in serious injury to the operator and/or bystanders.

SYMBOL

MEANING



- **GARDEN CULTIVATORS—ROTATING TINES CAN CAUSE SEVERE INJURY**

WARNING: Stop the motor, unplug the extension cord and allow tines to stop before removing tines, or before cleaning or performing any maintenance. Keep hands and feet away from rotating tines.

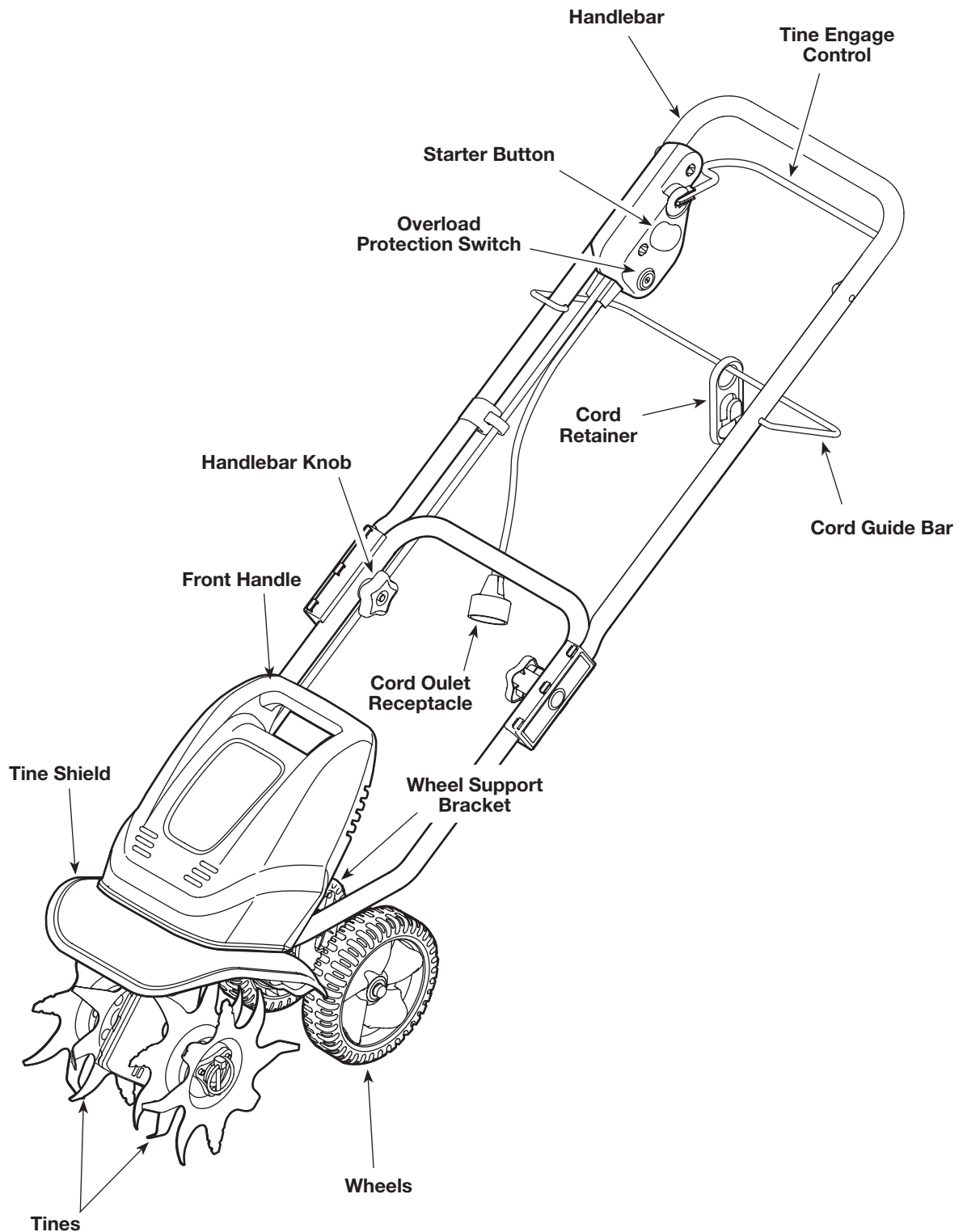
RULES FOR SAFE OPERATION

KNOW YOUR CULTIVATOR

APPLICATIONS

As a cultivator

- Tilling soil in home vegetable gardens, flower beds and around shrubs



ASSEMBLY INSTRUCTIONS

NOTE: Reference to right or left hand side of the cultivator is observed from the operating position.

Removing Unit From Carton

1. Remove staples, break glue on top flaps, or cut tape at carton end and peel along top flap to open carton.
2. Remove all loose parts that may be included with unit.
3. Cut along corners, lay carton down flat, remove and set safely aside any packing material and/or loose cardboard.
4. Roll or slide unit out of carton and check carton thoroughly for loose parts.

Loose Parts In Carton

- Operator's Manual

Tools Needed for Assembly

- None



WARNING: To prevent serious personal injury, do not connect electric extension cord to unit until fully completing cultivator assembly

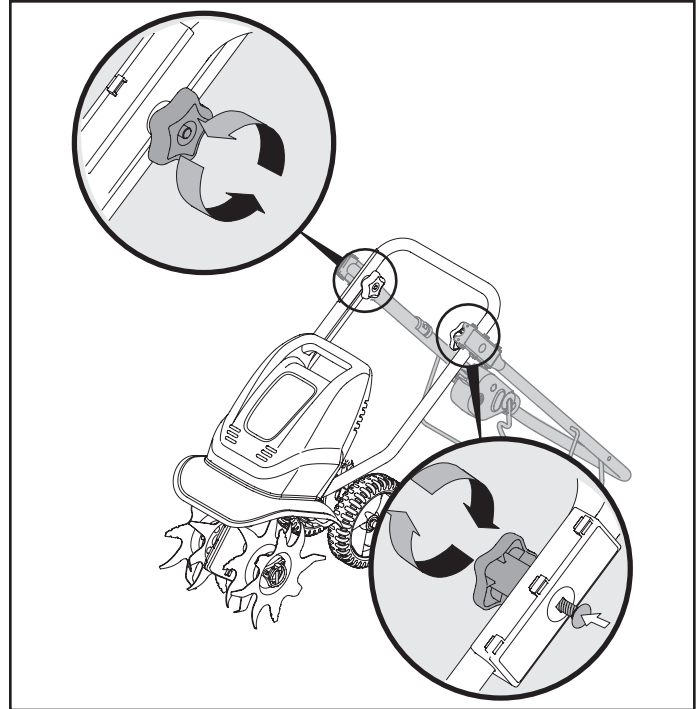


Fig. 1

ASSEMBLING CULTIVATOR

Handle Set-Up

1. Loosen each hand knob found on the inside of the upper handle (Fig. 1).
2. Gently lift and pivot the upper handle into the operating position (Fig. 2).
3. Secure the upper handle and lower handle by tightening the hand knobs (Fig. 2). Each carriage bolt must be seated properly into the square hole found in the plastic connector.

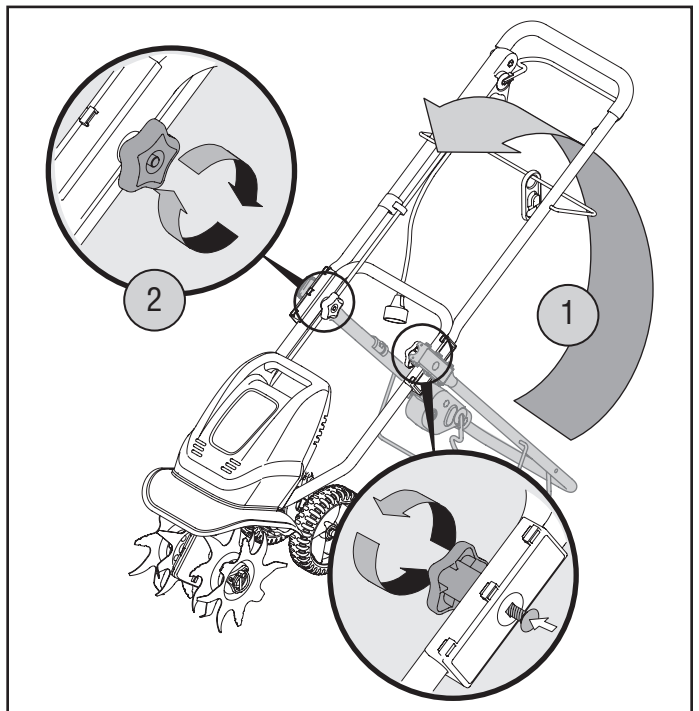


Fig. 2

ASSEMBLY INSTRUCTIONS

Using the Cord Retainer

An extension cord retainer is suspended on the cord guide bar found on the upper handle.

NOTE: Do not plug your extension cord into the power source receptacle (outlet) prior to routing it through the cord retainer and connecting the extension cord to the cultivator's cord outlet receptacle.

To properly route your extension cord through the cord retainer:

1. Approximately eight inches from its end, crease your extension cord to form a tight loop.
2. Push the loop through the bottom hole in the cord retainer (Fig. 3).
3. Position the loop over the clip found on the cord retainer and pull down until the cord fits snugly into the clip (Fig. 4).

NOTE: Use a UL-approved extension cord. A 100-foot, 14-gauge cord is recommended. A 50-foot, 16-gauge cord is acceptable. Refer to the small chart found on Page 3.

The cord retainer and the guide bar work together to secure your extension cord and safely limit its movement.

The cord retainer (with the extension cord) will slide along the guide bar as the cultivator is moved to the left or to the right (Fig. 5).

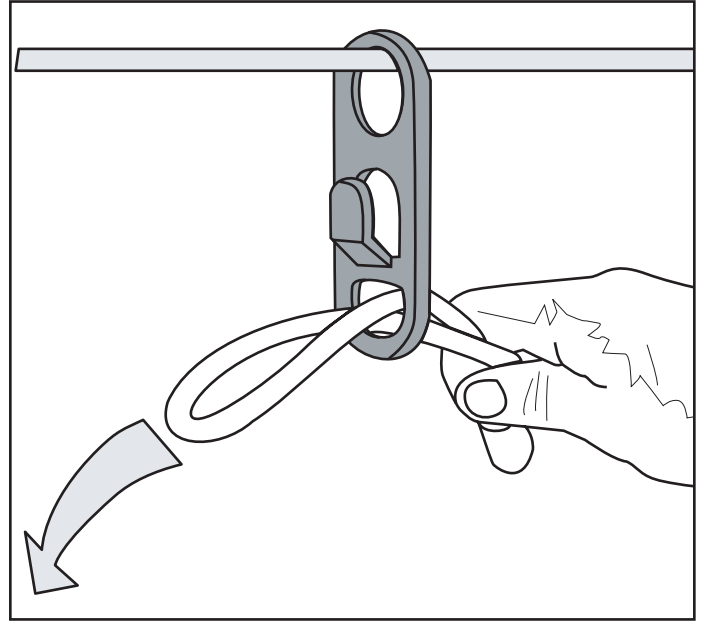


Fig. 3

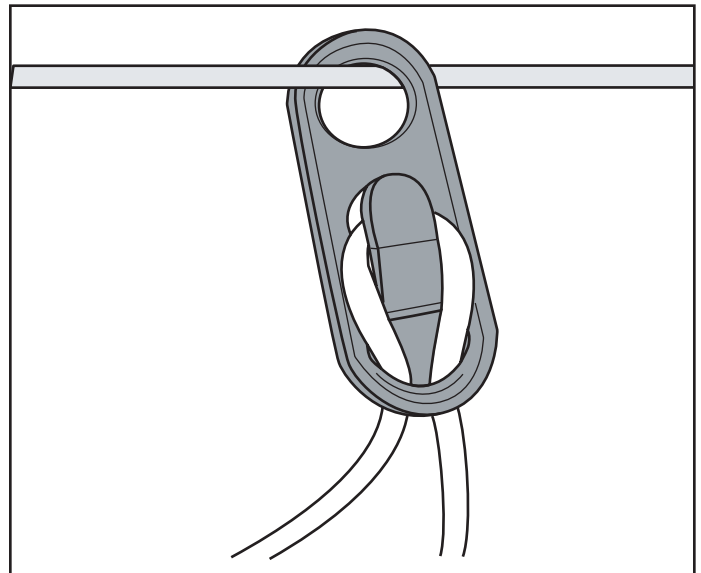


Fig. 4

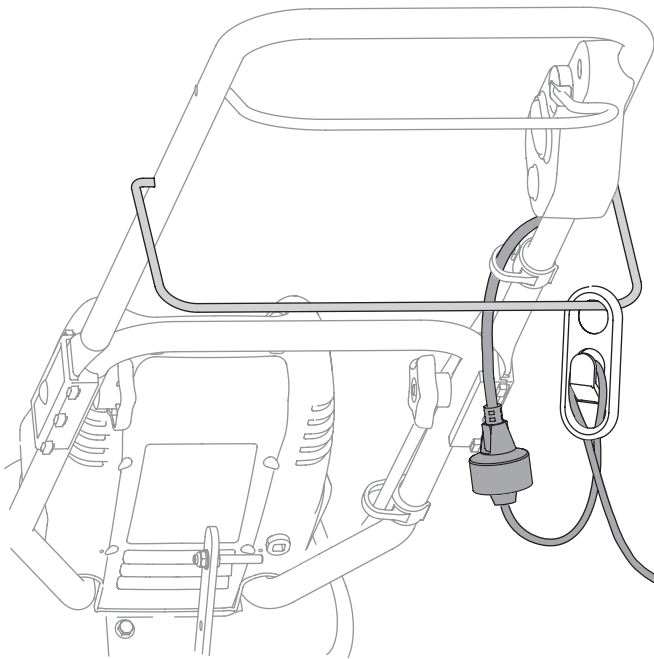


Fig. 5

STARTING/STOPPING INSTRUCTIONS

STARTING INSTRUCTIONS



WARNING:

Avoid accidental starting. Make sure you are in the operating position behind the cultivator when using it. To avoid serious injury, the operator and unit should be in a stable position while starting.

Connecting to an Electrical Power Source

NOTE: Connect your extension cord to the cultivator as instructed on the previous page prior to plugging your extension cord into an electrical outlet.

1. Plug your extension cord into any convenient (indoor or outdoor) 120-volt, 60-cycle AC grounded outlet or receptacle. Your cultivator will operate satisfactorily on a circuit with a 15 ampere breaker.

NOTE: To avoid tripping circuit breakers, select an outlet on a circuit that is not overloaded. Do NOT select an outlet that is on a circuit hosting appliances such as a refrigerator.

2. Stand behind the cultivator, in the operating position.
3. Pivot the cultivator slightly toward the rear, so that its weight is resting on the wheels and the tines are NOT in contact with the ground
4. Depress the (red) starter button and hold it in (Fig. 6).

NOTE: Starting the cultivator's motor also starts tilling action.

5. While holding the starter button in, pivot the bail upward against the handle (Fig. 6) to start the motor and engage the tines.

NOTE: The cultivator's motor will NOT start if you fail to hold the starter button in while pivoting the bail upward.

6. Release the (red) starter button and grasp the handle and bail together with **both** hands (Fig. 7).

STOPPING INSTRUCTIONS

1. Release the bail.
2. The starter button will pop out, the bail will pivot downward and the motor will stop.

OVERLOAD PROTECTION SWITCH

This cultivator is equipped with an overload protection switch to prevent overheating damage to the motor.

If the overload protection switch pops out:

1. Release the bail and do NOT re-start the cultivator for at least one minute, allowing for the electric motor time to cool.
2. Press the overload protection switch inward to reset (Fig. 6).

If the overload protection switch pops out shortly after resetting:

1. Release the bail and do NOT re-start the cultivator for at least 15 minutes to allow the electric motor extra time to cool.

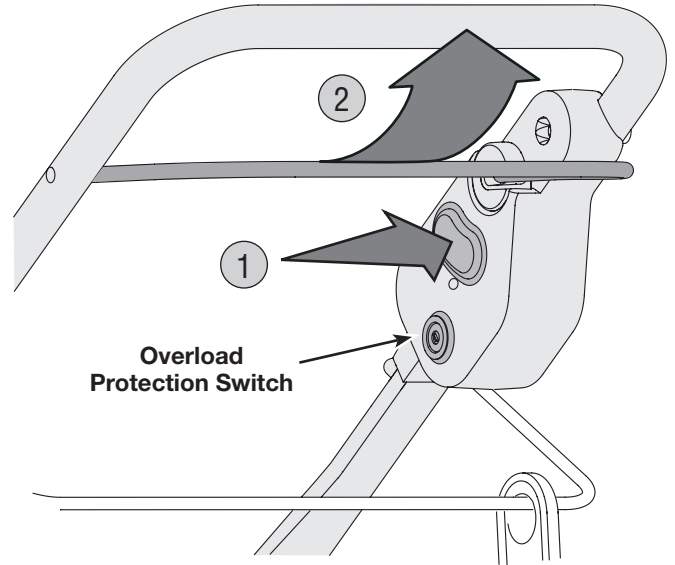


Fig. 6



Fig. 7

2. Press the overload protection switch inward to reset.
3. Restart unit.

NOTE: If the overload protection switch pops out repeatedly during operation or will not remain in when attempting to reset, contact your Sears Parts and Repair Center to arrange for repair.

OPERATING INSTRUCTIONS

ADJUSTING THE WHEEL SUPPORT BRACKET



WARNING:

Avoid accidental starting. Stop motor and disconnect extension cord prior to adjusting the wheel support bracket.

To adjust the wheel support bracket proceed as follows:

1. Remove cotter pin from the clevis pin and slide pin out of tailpiece bracket (Fig. 8).

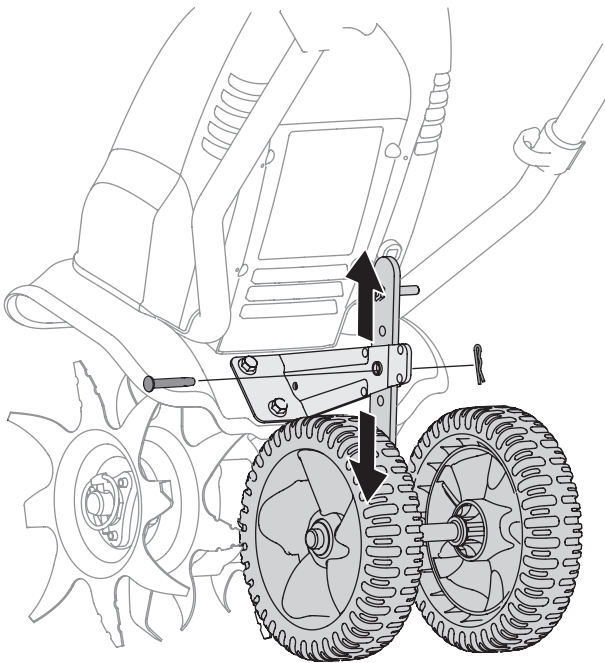


Fig. 8

2. Slide the wheel support bracket up or down in the tailpiece, aligning the holes to the desired height.
3. Place the clevis pin through the hole and secure with a cotter pin.

USING YOUR CULTIVATOR



WARNING:

Never pick up or carry the unit while the engine is running. Serious personal injury could result.

1. Move the cultivator to the work area prior to starting the motor. Transport the cultivator by pushing or pulling it along on its wheels. Or you may choose to carry the cultivator by its front handle.
2. Start the cultivator following all steps under STARTING INSTRUCTIONS on the previous page.
3. With **both** hands on the upper handle, slowly pivot the cultivator forward until the tines make contact with the soil.



WARNING:

Avoid risk of injury. Keep the extension cord clear of the tilling path at all times. Do not allow the tines to contact the extension cord.

4. Once the tines are in the ground, cultivate at a moderate pace until you are familiar with the controls and the handling of the cultivator.

NOTE: Be aware of the extension cord's location at all times. Never allow the cultivator's tines to come into contact with the extension cord while operating.

5. To adjust the cultivating depth, adjust the wheel support bracket. See Adjusting The Wheel Support Bracket.

NOTE: For cultivation, a two to three inch depth is desirable. When laying out plant rows, be sure to allow enough width to permit cultivation between the rows.

MAINTENANCE AND REPAIR INSTRUCTIONS



WARNING: To prevent serious injury, never perform maintenance or repairs with unit running. Always service and repair a cool unit.



WARNING: Avoid accidental starting. Stop motor and disconnect extension cord prior to performing any maintenance or repairs.

Removing and Replacing Tines

Cultivator tines are subject to wear and should be replaced if any signs of damage are present.

Tines should also be removed and cleaned after each use.



WARNING: Cultivator tines are sharp. Always wear leather gloves to protect your hands when handling tines.

To replace the cultivator's tines:

1. Remove the click pin found at the end of each tine shaft.

NOTE: Each tine assembly is stamped either "A" or "B" (Fig. 9). Note each tine's location on the shaft for easier reassembly



WARNING: Do not wash cultivator with a hose. Avoid getting water on motor and electrical connections.

2. Carefully remove each tine assembly from the tine shafts.
3. Wipe each tine shaft clean with a damp cloth and apply a light coat of oil (i.e. 3-*N-One*) or silicon-based lubricant to each shaft. Do NOT use *WD-40*.
4. Rinse each tine assembly with water and thoroughly dry each it before placing on tine shaft.
5. Re-insert each click pin to secure the tine assemblies in place.

Tips for Replacing Tines

- Each tine shaft holds one tine assembly stamped "A" and one tine assembly stamped "B".
- The bell sides of both tine assemblies (on each shaft) should face each other (Fig. 9).
- The hub of each tine assembly (Fig. 9) should face outward (away from the cultivator's gearbox).

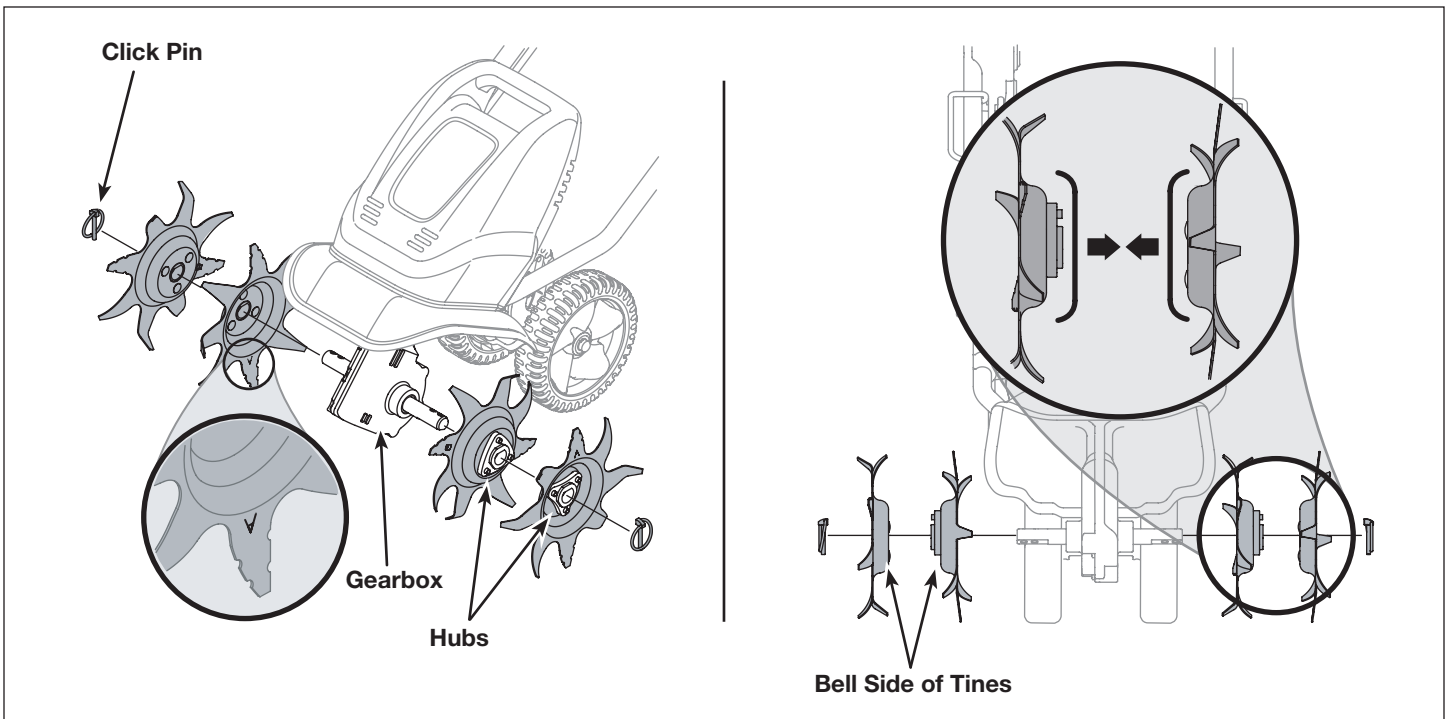


Fig. 9

TROUBLESHOOTING

MOTOR WILL NOT START

CAUSE

1. Unit is unplugged
2. Starter button or bail improperly used
3. Overload protection switch has popped out

ACTION

1. Make sure that extension cord is securely plugged into cultivator's cord outlet receptacle on one end and a 110V outlet on the opposite end.
2. Press starter button and *hold it in* while squeezing bail against the handle.
3. Depress overload protection switch. Follow starting instructions.

NOTE: For repairs beyond the minor adjustments listed above, contact your nearest Sears Parts & Repair center (1-800-4-MY-HOME[®]) or other qualified service dealer for an adjustment.

SPECIFICATIONS

MOTOR

Engine Type	AC 120 Volts Electric
Operating RPM.....	up to 8,000 rpm
Ignition Switch.....	Bail Lock Safety Button
Amperage.....	6.5 Amps
Overload Protection	120 V 5 amp Breaker

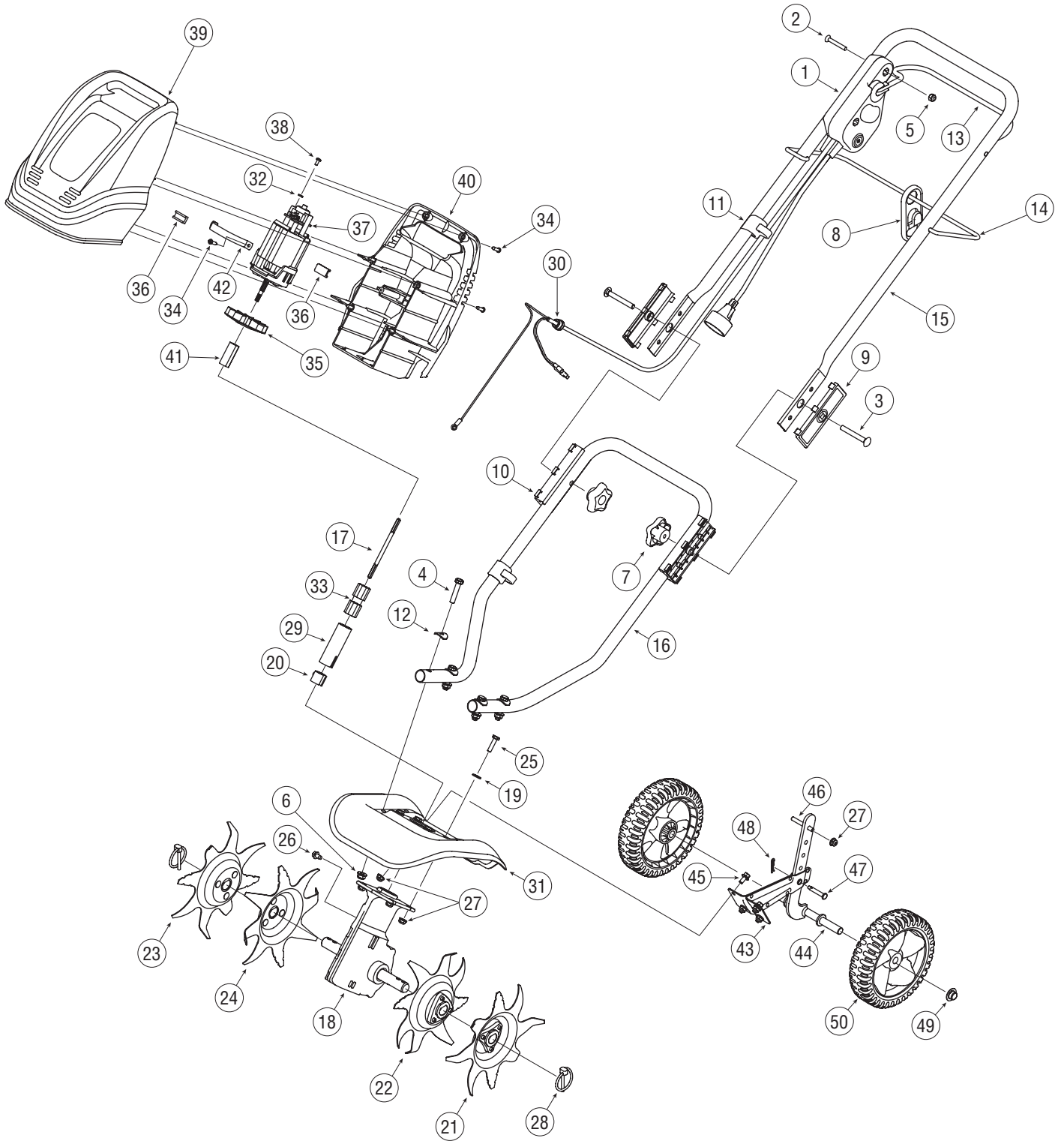
CULTIVATOR*

Drive Shaft Tube	Steel Tube
Handle	Steel Tube
Cultivating Path Width (Maximum).....	9 inches (22.86 cm)
Cultivating Depth (Maximum).....	6 inches (15.24 cm)
Approximate Weight	27 lb. (12.25 kg)

*All specifications are based on the latest product information available at the time of printing. We reserve the right to make changes at any time without notice.

PARTS LIST

MODEL 316-29260 ELECTRIC CULTIVATOR



PARTS LIST

MODEL 316-29260 ELECTRIC CULTIVATOR

<u>Item</u>	<u>Part No.</u>	<u>Description</u>
1	625-04027	Switch Assembly
2	710-04213	Screw, T27, 1/4-20, 1.75"
3	710-0572	Bolt, Carriage, 5/16-18, 2.50, Gr1
4	710-0805	Hex Screw, 5/16-18, 1.50, Gr5
5	712-0324	Nut, Hex Lock, 1/4-20, Gr8, Nylon
6	712-04063	Nut, Flange Lock, 5/16-18, GrF, Nylon
7	720-04052	Knob, Nut, 5/16-18
8	726-0368	Cord Retainer
9	731-05178	Insulator, Upper Handle
10	731-05186	Insulator, Lower Handle
11	731-1820	Guide Cable
12	736-0451	Washer, Saddle, 320 x .93 x .060
13	747-04375	Control Bail
14	747-04376A	Guide Rod
15	749-04210	Handle, Upper
16	749-1295A	Handle, Lower
17	10055-20	Flex Shaft, 4.5"
18	11A6798	Gearbox
19	4150	Washer, Flat
20	4278	Sleeve
21	686-0176	Tine Assembly, Outer
22	686-0177	Tine Assembly, Inner
23	686-0178	Tine Assembly, Outer
24	686-0179	Tine Assembly, Inner
25	710-0597	Hex Screw, 1/4-20, 1.00, Gr5
26	4543	Bolt, Hex Washer 1/4-20 x .50
27	712-04064	Nut, Flange Lock, 1/4-20, GrF, Nylon
28	714-0220	Lynch Pin, .1875
29	750-04441	Tube, .922 x 1.0 x 3.0
30	731-04321	Bushing, Cord
31	786-04000	Tine Shield
32	1625	Washer, Lock, #10
33	1A2679	Tube w/ Spacers
34	1948	Screw, .750
35	50004	Fan
36	50545	Motor Pad, 1"
37	624-04008	Motor Assembly, 120 V
38	1926	Screw, #8-32 x .312
39	731-05207	Motor Cover, Front
40	731-05208	Motor Cover, Rear
41	748-04085	Motor Hub
42	786-04268	Motor Strap
43	686-0181	Bracket Assembly, Tail Piece
44	686-0182A	Support Bracket Assembly, Wheel
45	710-04468	Hex Flange Screw, 1/4-20, .50, Gr5
46	711-0993	Belt Guard Pin 1/4 Dia. x 1.43
47	711-1017	Clevis Pin, .250 x 1.53
48	714-0104	Cotter Pin, .072 Dia. x 1.13
49	726-0299	Push Cap, 1/2"
50	734-1988	Wheel, 7 x 1.8 Spoke Bar Gray

Repair Protection Agreements

Congratulations on making a smart purchase. Your new Craftsman® product is designed and manufactured for years of dependable operation. But like all products, it may require repair from time to time. That's when having a Repair Protection Agreement can save you money and aggravation.

Purchase a Repair Protection Agreement now and protect yourself from unexpected hassle and expense.

Here's what's included in the Agreement:

- ☑ **Expert service** by our 12,000 professional repair specialists
- ☑ **Unlimited service and no charge** for parts and labor on all covered repairs
- ☑ **Product replacement** if your covered product can't be fixed
- ☑ **Discount of 10%** from regular price of service and service-related parts not covered by the agreement; also, 10% off regular price of preventive maintenance check
- ☑ **Fast help by phone** – phone support from a Sears technician on products requiring in-home repair, plus convenient repair scheduling

Once you purchase the Agreement, a simple phone call is all that it takes for you to schedule service. You can call anytime day or night, or schedule a service appointment online.

Sears has over 12,000 professional repair specialists, who have access to over 4.5 million quality parts and accessories. That's the kind of professionalism you can count on to help prolong the life of your new purchase for years to come. Purchase your Repair Protection Agreement today!

Some limitations and exclusions apply.
For prices and additional information call 1-800-827-6655.

Sears Installation Service

For Sears professional installation of home appliances, garage door openers, water heaters, and other major home items, in the U.S.A. call **1-800-4-MY-HOME®**

Get it fixed, at your home or ours!

Your Home

For repair – **in your home** – of **all** major brand appliances, lawn and garden equipment, or heating and cooling systems, **no matter who made it, no matter who sold it!**

For the replacement parts, accessories and owner's manuals that you need to do-it-yourself.

For Sears professional installation of home appliances and items like garage door openers and water heaters.

1-800-4-MY-HOME[®] (1-800-469-4663)

Call anytime, day or night (U.S.A. and Canada)

www.sears.com www.sears.ca

Our Home

For repair of carry-in items like vacuums, lawn equipment, and electronics, call or go on-line for the location of your nearest **Sears Parts & Repair Center.**

1-800-488-1222

Call anytime, day or night (U.S.A. only)

www.sears.com

To purchase a protection agreement (U.S.A.) or maintenance agreement (Canada) on a product serviced by Sears:

1-800-827-6655 (U.S.A.)

1-800-361-6665 (Canada)

Para pedir servicio de reparación a domicilio, y para ordenar piezas:

1-888-SU-HOGARSM

(1-888-784-6427)

Au Canada pour service en français:

1-800-LE-FOYER^{MC}

(1-800-533-6937)

www.sears.ca



© Registered Trademark / TM Trademark / SM Service Mark of Sears, Roebuck and Co.

© Marca Registrada / TM Marca de Fábrica / SM Marca de Servicio de Sears, Roebuck and Co.

^{MC} Marque de commerce / ^{MD} Marque déposée de Sears, Roebuck and Co.

© Sears, Roebuck and Co.

Free Manuals Download Website

<http://myh66.com>

<http://usermanuals.us>

<http://www.somanuals.com>

<http://www.4manuals.cc>

<http://www.manual-lib.com>

<http://www.404manual.com>

<http://www.luxmanual.com>

<http://aubethermostatmanual.com>

Golf course search by state

<http://golfingnear.com>

Email search by domain

<http://emailbydomain.com>

Auto manuals search

<http://auto.somanuals.com>

TV manuals search

<http://tv.somanuals.com>