

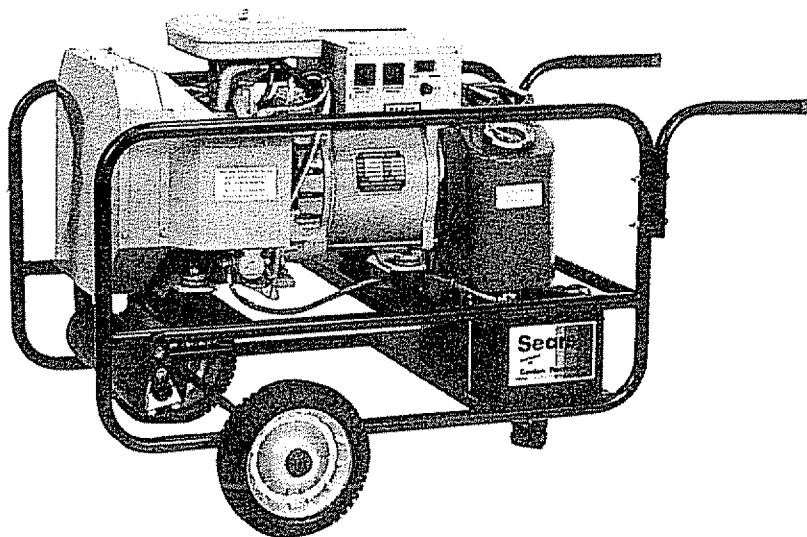
Sears

owners manual

MODEL NO.
580.326010

CAUTION: READ
INSTRUCTIONS AND
RULES FOR SAFE
OPERATIONS CAREFULLY
TO PREVENT ACCIDENTS.

GENERAL INFORMATION
INSTALLATION
OPERATING INSTRUCTIONS
MAINTENANCE
REPAIR PARTS



4500 WATT HEAVY DUTY PORTABLE ALTERNATOR

ALTERNATOR

Record in space provided below the Model No. and Serial No. of the alternator. Model No. and Serial No. are both located on the Nameplate, just below Alternator Control Panel.

Model No. _____ Serial No. _____

Retain these numbers for future reference.

Sears, Roebuck and Co., Chicago, Ill. 60684 U.S.A.

FULL ONE YEAR WARRANTY

For one year from the date of purchase, Sears will repair any defect in material or workmanship in this alternator at no charge.

If the alternator is used for commercial or rental purposes, this warranty applies for only thirty days from the date of purchase.

Warranty service is available by contacting the nearest Sears Store or Service Center throughout the United States.

This warranty gives you specific legal rights, and you may also have other rights which vary from state to state.

Sears, Roebuck and Co.
Sears Tower
BSC 41-3
Chicago, IL 60684

INTRODUCTION

Your Owner's Manual is meant to provide you with instructions for safe and proper operation of the 4500 watt portable alternator. Read its contents carefully and comply with all instructions and rules for safe operation. With proper care, your alternator will give years of dependable electric power.



CAUTION

Engines are shipped without oil. Any attempt to start your alternator before the recommended oil has been properly added will result in an engine failure.

RULES FOR SAFE OPERATION



Your portable alternator produces dangerously high voltages. Never permit unqualified people - especially children - to operate the unit.



Never handle electrical equipment while standing in water, while barefoot, or while hands are wet. This can result in dangerous electrical shock.



Maintain electrical power cords in good condition. Worn, bare or frayed electrical cords are dangerous.



Make sure the wire gauge sizes of electrical power cords are large enough to handle the largest anticipated amperage of electrical equipment. Using wires that are too small to handle the amperage load is dangerous.



Never run the alternator in any enclosed area. Gasoline engines consume oxygen and give off DEADLY carbon monoxide gas.



Never install the alternator in any enclosure or compartment that might obstruct the free flow of cooling air. Severe heat damage to the unit will occur.



Gasoline is highly flammable and explosive. Comply with local laws governing the storage and handling of gasoline.



Use care when using your alternator. Keep clear of moving parts. Never work on the unit while it is running. Keep equipment clean and check frequently for loose, missing, rusted or damaged nuts, bolts, and other fasteners.



Never try to adjust governed engine speed. High engine speed is dangerous. The alternator will produce the required voltage and frequency only at 3600 rpm.

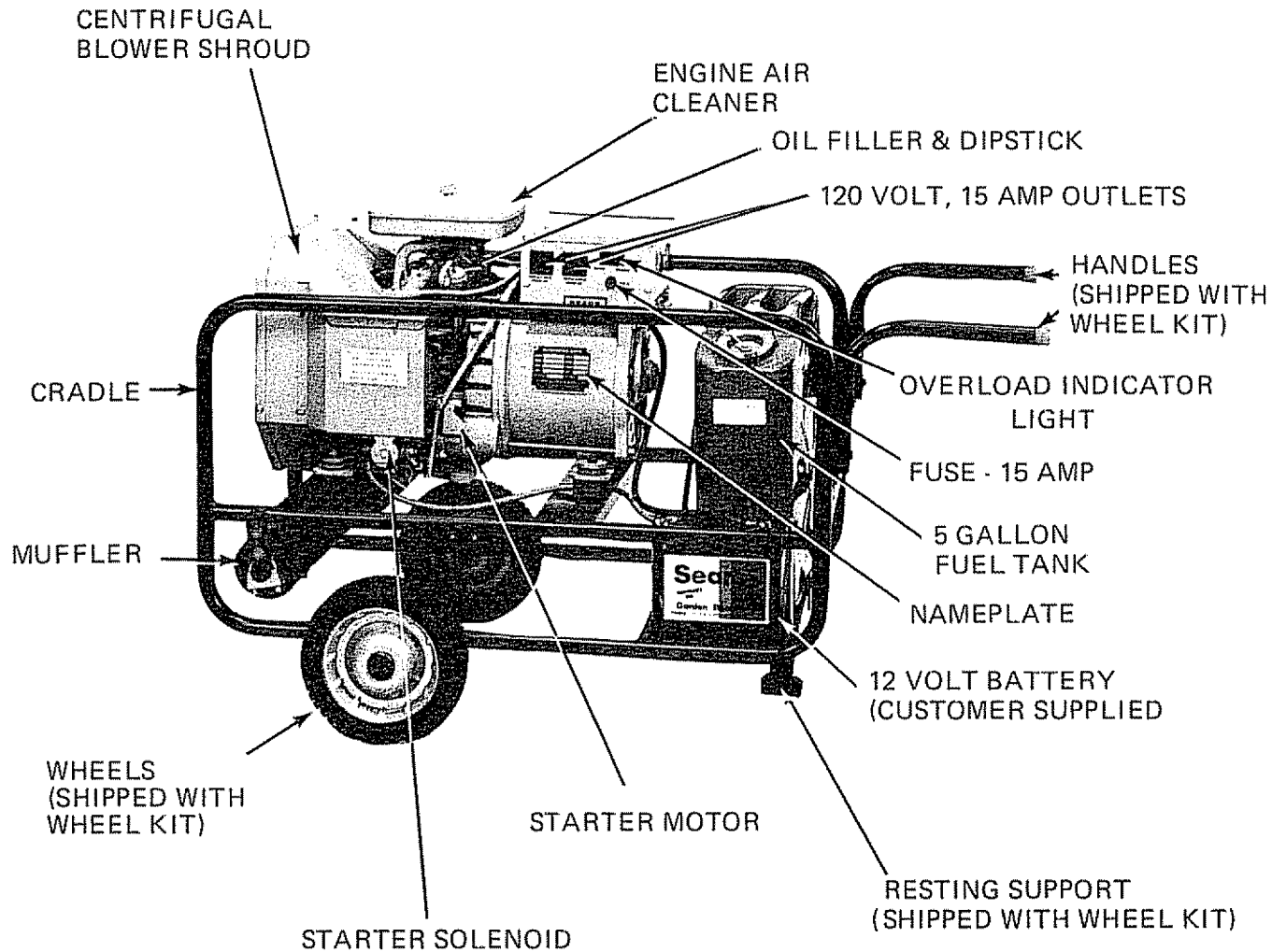
TABLE OF CONTENTS

WARRANTY	Inside Front Cover	Section 2 — Operating Instructions
RULES FOR SAFE OPERATION	Inside Front Cover	Do and Don't Chart
SPECIFICATIONS	1	Before Starting the Engine
NOMENCLATURE	2	Starting the Engine
WIRING DIAGRAM	3	Stopping the Engine
INSTALLATION OF STAND-BY		Wattage and Power
POWER SYSTEMS	4	Using the 120 Volt, 15 Amp Outlets
REPAIR PARTS	25-28	Using the 120 Volt, 30 Amp Outlet
		Using the 240 Volt, 20 Amp Outlet
Section 1 — Preparation For Use		Don't Overload the Alternator
Alternator Unpacking and Removal		Motor Starting Requirements
From Shipping Skid	5	Charging a Battery
Parts Shipped With Alternator	5	Section 3 — Preventive Maintenance
Wheel Kit Installation	7	Maintenance Chart
Lubrication	8	General Inspection
Battery Installation	9	Change Oil
Battery Connections	9	Service Air Cleaner
Fill Fuel Tank	10	Inspect 30 Amp Fuse
Install Fuel Tank	10	Spark Plugs
Cord Sets for 120 Volt, 15 Amp Outlets	10	Clean Fuel Tank
Optional Wiring Connections - 240 Volt		Inspect Cooling Fins
Connector Plug	11	De-Carbonize Muffler
Optional Wiring Connections - 120 Volt,		Replace Fuel Filter
30 Amp Connector Plug	11	De-Carbonize Engine Cylinder Heads
Grounding The Alternator	12	Storage

SPECIFICATIONS

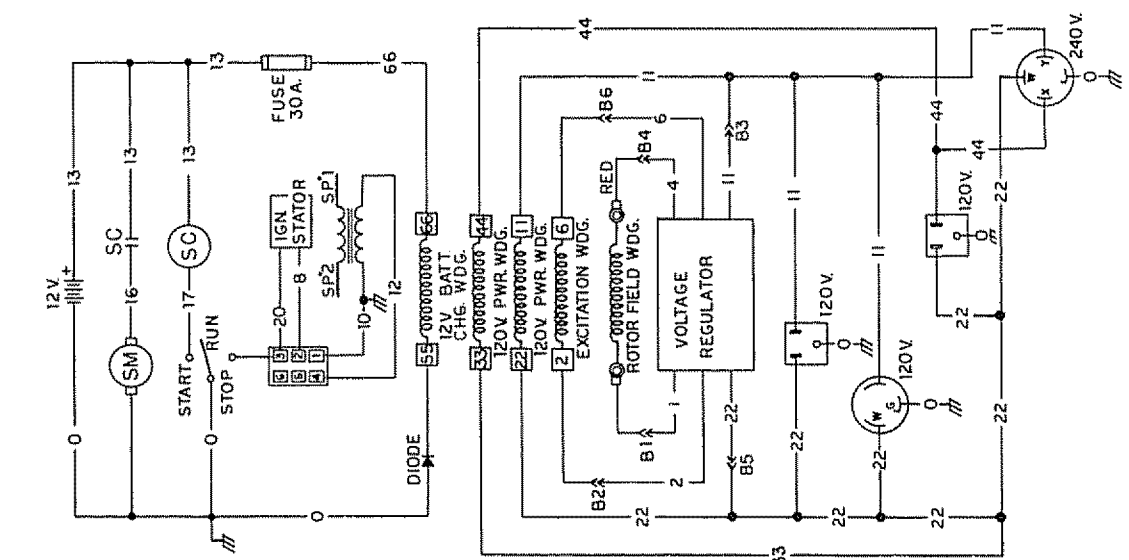
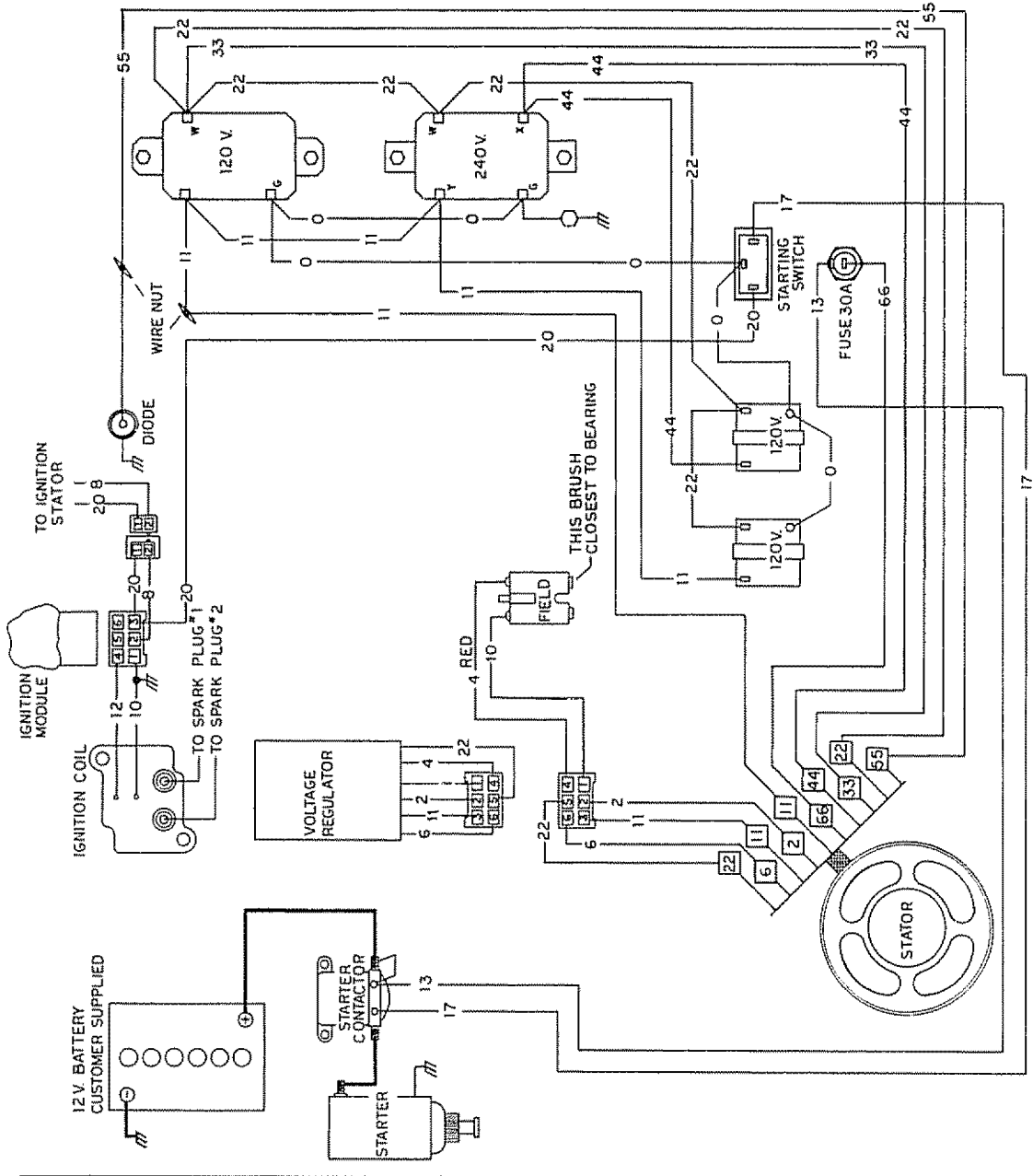
ALTERNATOR	Model No.	580.326010
	Wattage Capacity	4500 Watts Continuous (5600 watts momentary surge)
	Voltage Output	120/240 Volts
	Amperes (Maximum)	37.5 at 120 Volts - 18.75 at 240 Volts
	Frequency	60 Hertz at 1800 rpm
	Phase(s)	Single Phase
	Driven Speed	1800 rpm
	Voltage Regulation	Solid state "Voltage over Frequency" regulator maintains 2120 volts (± 2%) at 60 Hz.
	Electrical Outlets	(2) - 120 Volt, 15 Amp (1) - 120 Volt, 30 Amp (1) - 240 Volt, 20 Amp
ENGINE	Make and Model	Briggs & Stratton Model No. 401415
	Horsepower	Approximately 10 H.P. at 1800 rpm
	No. of Cylinders	2
	Displacement	40 Cubic Inches (656 cc's)
	Governed Speed	1800 rpm
	Fuel Tank Capacity	5 Gallons (18.925 Liters)
	Recommended Fuel	Use clean, fresh NON-LEADED gasoline (Leaded, REGULAR grade gasoline is an acceptable substitute)
	Crankcase Oil Capacity	3½ Pints (1.65 Liters)
	Spark Plug	Use Champion J-8, Auto-Lite A-71, or AC GC46 Set gap to .030 inch
	Starting	Electric Ring Gear
	Cooling System	Forced air (Centrifugal Blower Type)
	Air Cleaner	Dry paper cartridge with oil foam pre-cleaner

NOMENCLATURE



WIRING DIAGRAM

Model No. 580.326010

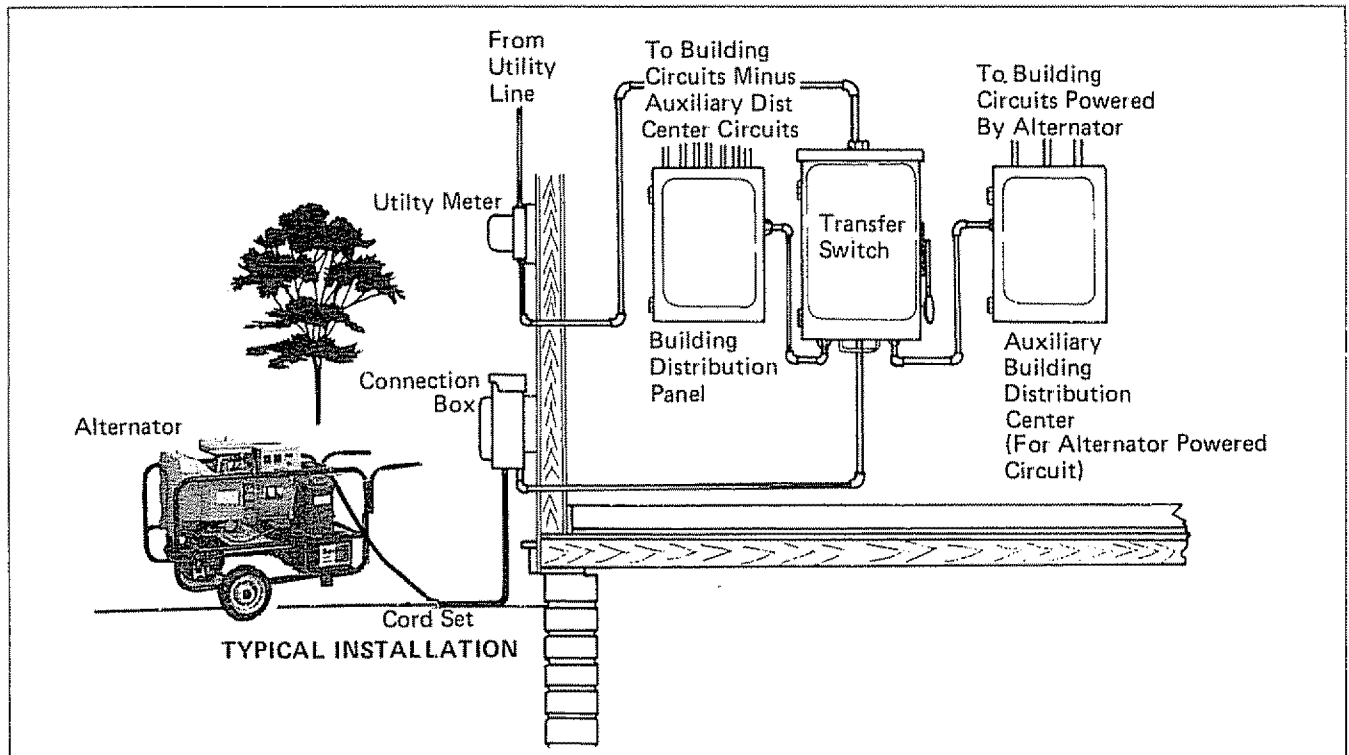


INSTALLATION OF STAND-BY POWER SYSTEMS



DANGER

Installation of Stand-By Electrical Power Systems should be done by a QUALIFIED electrician. ALL APPLICABLE ELECTRICAL AND BUILDING CODES MUST BE COMPLIED WITH. Improper installation methods or procedures are EXTREMELY DANGEROUS and may damage equipment and personal property.



A typical Stand-By Power System is shown above. This System uses a (1) Connection Box and Cord Set, (2) a Transfer Switch, (3) two Building Distribution Centers, and (4) interconnecting wiring.

The CONNECTION BOX and CORD SET is used with the 120/240 volt, 4-prong, 20 amp outlet. The following Stand-By Kits are available:

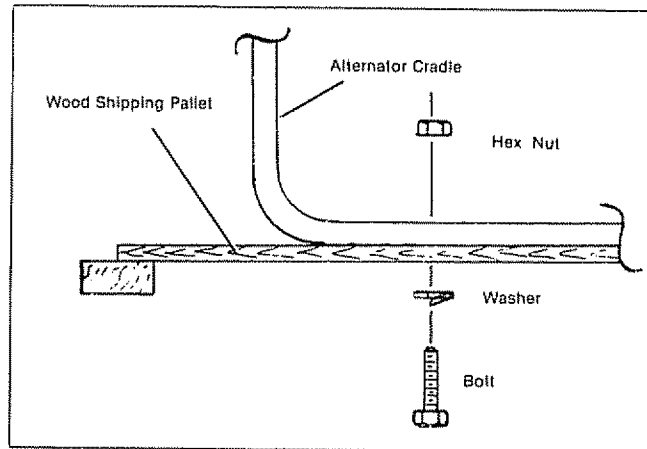
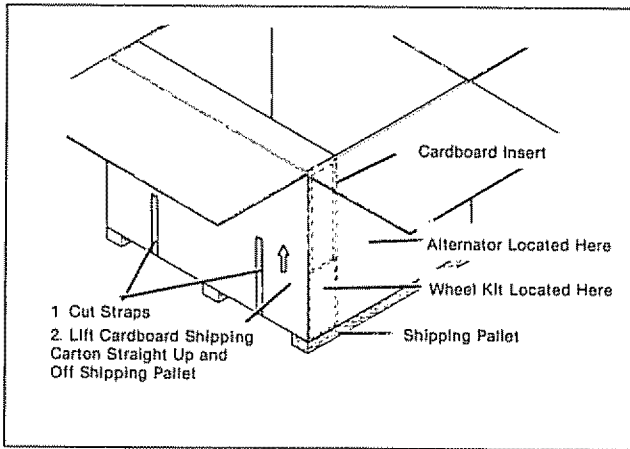
Model No.	Connection Box and Cord Set	Transfer Switch
580.322280	120/240 Volt, 4-wire cord set	100 Amp Manual
580.322290	120/240 Volt, 4-wire cord set	200 Amp Manual

A TRANSFER SWITCH is required, to prevent electrical "feedback" between utility company power lines and the alternator. Be sure to install the correct Transfer Switch, based on the following:

1. If utility company input to the building is rated at LESS THAN 100 Amps, install a Switch having a utility line connection rated at 100 Amps.
2. If utility company input to the building is rated at MORE THAN 100 Amps but LESS THAN 200 Amps, install a Switch having a utility line connection rated at 200 Amps.
3. Make sure the Transfer Switch alternator connection is rated at a higher amperage than the alternator to be used.

SECTION 1 PREPARATION FOR USE

Alternator Unpacking and Removal from Shipping Skid



1. The alternator is bolted to a wood shipping pallet. The cardboard is then set into position and retained with straps. Location of alternator and wheel kit in shipping carton is shown above. To remove carton, cut the straps and lift cardboard carton straight up and off pallet.

2. Two 1/4 inch bolts and hex nuts retain the alternator cradle to the wood shipping pallet. Use two 7/16 inch wrenches to remove bolts and hex nuts. Alternator can then be removed from wood pallet.

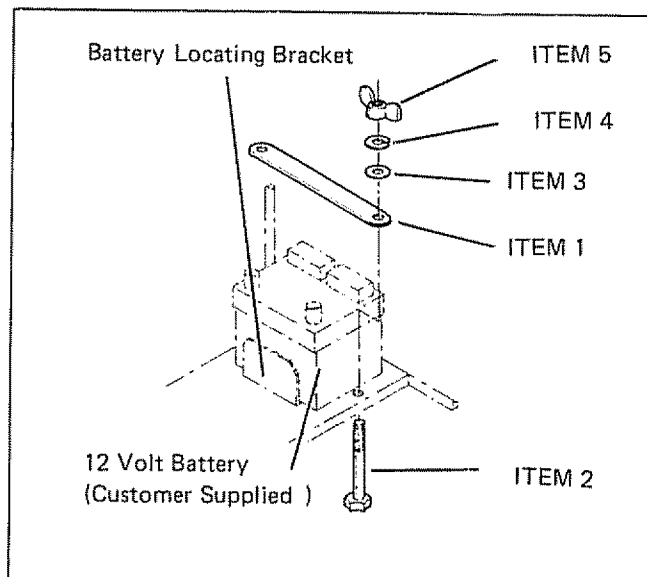
PARTS SHIPPED WITH ALTERNATOR

The following items are shipped with the alternator and must be installed or assembled. To order additional items listed below, refer to REPAIR PARTS section of this manual.

1. Battery Hold-Down Bracket with retaining hardware
2. Wheel Kit
3. One 5 gallon Fuel Tank with retaining strap
4. One 120 Volt, 3-Prong, 30 Amp Connector Plug
5. One 240 Volt, 20 Amp, 4-Prong Connector Plug

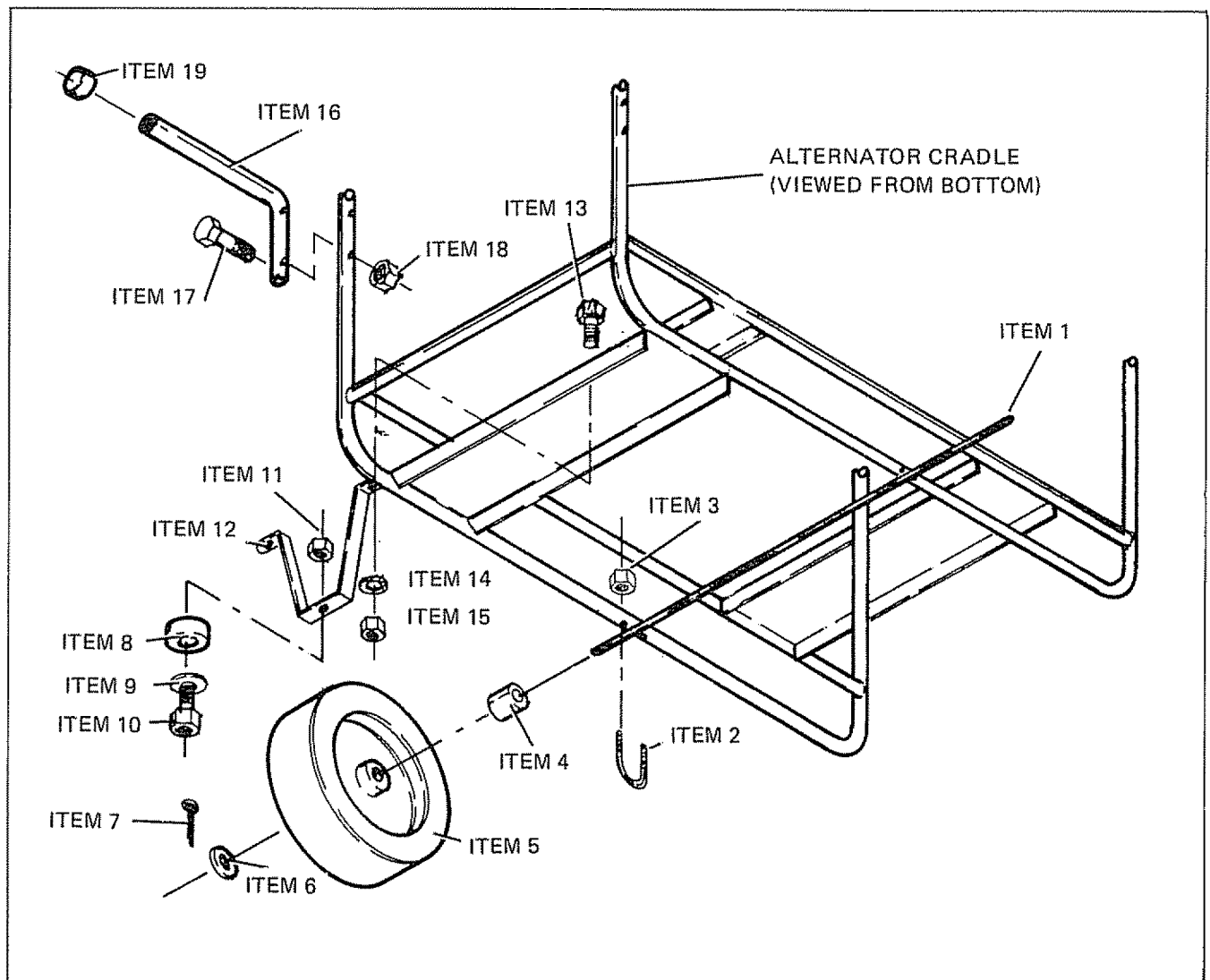
The battery retaining bracket and hardware are shown at right. The 12 volt battery is to be supplied by the customer. Make sure all of the following have been received:

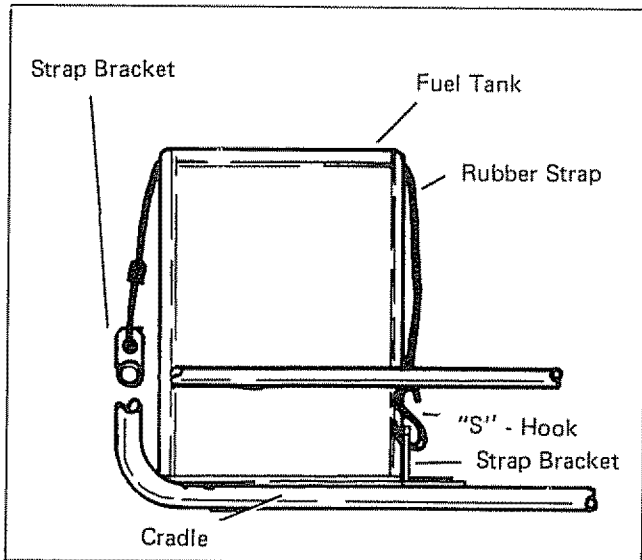
- | <input checked="" type="checkbox"/> Item | Description |
|--|-----------------------------------|
| <input type="checkbox"/> 1 | Bracket (1 Req'd) |
| <input type="checkbox"/> 2 | Bolt - 1/4-20 x 7" long (2 Req'd) |
| <input type="checkbox"/> 3 | Flatwasher - 1/4" (2 Req'd) |
| <input type="checkbox"/> 4 | Lockwasher - 1/4" (2 Req'd) |
| <input type="checkbox"/> 5 | Wing Nut - 1/4-20 (2 Req'd) |



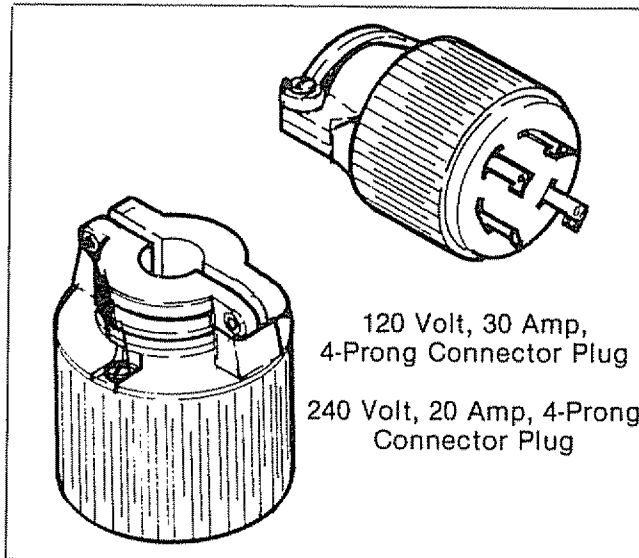
Wheel Kit parts are shown below. See WHEEL KIT INSTALLATION in this section for installation instructions. Make sure the Kit has the following parts:

- | <input checked="" type="checkbox"/> Item | Description | <input checked="" type="checkbox"/> Item | Description |
|--|--|--|---------------------------------------|
| <input type="checkbox"/> 1 | Axle Shaft (1 Req'd) | <input type="checkbox"/> 11 | Nut - 5/16-18 (1 Req'd) |
| <input type="checkbox"/> 2 | U-Bolt (2 Req'd) | <input type="checkbox"/> 12 | Support Leg (1 Req'd) |
| <input type="checkbox"/> 3 | Lock Nut - 5/16-18 (4 Req'd) | <input type="checkbox"/> 13 | Bolt - 5/16-18 x 3/4" long (2 Req'd) |
| <input type="checkbox"/> 4 | Axle Spacer (2 Req'd) | <input type="checkbox"/> 14 | Washer, Flat - 5/16" (2 Req'd) |
| <input type="checkbox"/> 5 | Wheel (2 Req'd) | <input type="checkbox"/> 15 | Nut - 5/16-18 (2 Req'd) |
| <input type="checkbox"/> 6 | Flat Washer - 3/4" (2 Req'd) | <input type="checkbox"/> 16 | Handle (2 Req'd) |
| <input type="checkbox"/> 7 | Cotter Pin - 3/32" (2 Req'd) | <input type="checkbox"/> 17 | Bolt - 3/8-16 x 2 3/4" long (4 Req'd) |
| <input type="checkbox"/> 8 | Support Leg Cushion (1 Req'd) | <input type="checkbox"/> 18 | Locknut - 3/8-16 (4 Req'd) |
| <input type="checkbox"/> 9 | Flat Washer - 7/16" (1 Req'd) | <input type="checkbox"/> 19 | Plastic Cap (2 Req'd) |
| <input type="checkbox"/> 10 | Bolt - 5/16-18 x 1 1/4" long (1 Req'd) | | |





Check that both the 5 gallon fuel tank and its rubber strap have been received. The rubber strap has an "S" -Hook at each end that inserts into strap brackets on the alternator cradle.



120 Volt, 30 Amp,
4-Prong Connector Plug
240 Volt, 20 Amp, 4-Prong
Connector Plug

Check that both the 120 Volt, 3-prong, 30 amp and the 240 Volt, 4-prong, 20 amp connector plug have been received. See **OPTIONAL CONNECTOR PLUGS** in this section for more information on these plugs.

WHEEL KIT INSTALLATION

1. Set Axle Shaft (Item 1) into place and retain loosely with two U-bolts (Item 2) and 5/16-18 Lock Nuts (Item 3). **DO NOT TIGHTEN** Lock Nuts.

2. Slide Axle Spacer (Item 4) over end of Axle Shaft, followed by Wheel (Item 5) and 3/4" Flat Washer (Item 6).

3. Retain Flat Washer, Wheel and Axle Spacer with 3/32" Cotter Pin (Item 7).

4. Repeat Steps (2) and (3) above for other side of Axle Shaft.

5. Center Axle Shaft so that no binding is evident and both wheels turn freely. Then tighten U-bolt Lock Nuts (Item 3) at both ends of Axle Shaft.

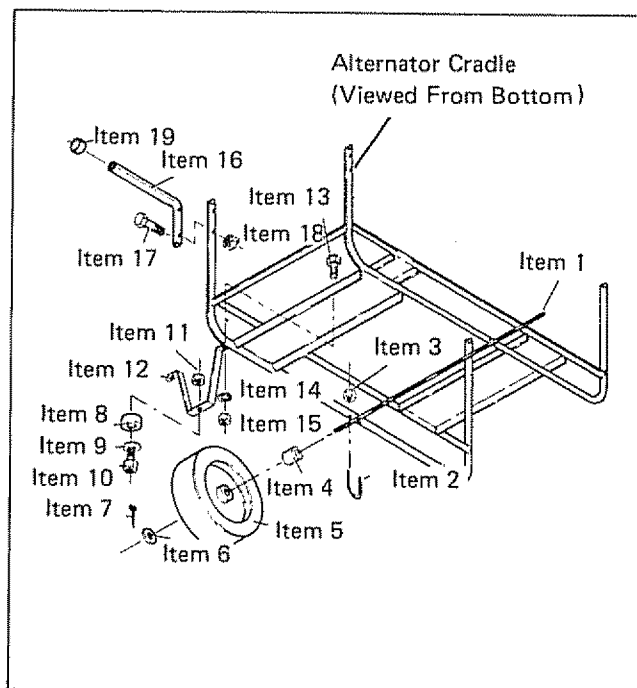
6. Slide 7/16" Flat Washer (Item 9) over 5/16-18 x 1 1/4" bolt (Item 10).

7. Insert bolt (Item 10) through Support Leg Cushion (Item 8) and through hole in Support Leg (Item 12) and retain securely with 5/16-18 Lock Nut (Item 11).

8. Install Support Leg (Item 12), with Cushion (Item 8) installed, onto Alternator Cradle using two 5/16-18 x 3/4" long Bolts (Item 13), Flat Washers (Item 14), and Lock Nuts (Item 15). Tighten securely.

9. Install both Handles (Item 16). Retain with four 3/8-16 x 2 3/4" long Bolts (Item 17) and Lock Nuts (Item 18). Tighten all four bolts.

10. Install plastic Caps (Item 19) onto end of both Handles.



LUBRICATION

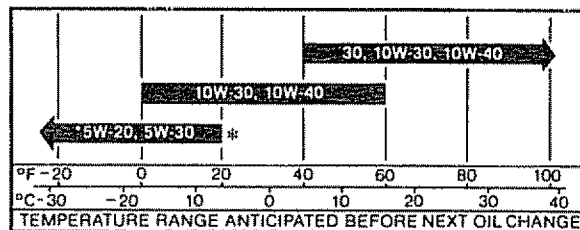


CAUTION

Engines are shipped without oil. Any attempt to start the engine before the recommended oil has been properly added may result in an engine failure.

Service the engine crankcase with a high quality detergent oil having a classification which includes "For Service MS, SC, SD or SE", and as recommended in the following CHART. Oil recommendations are the result of extensive testing. Use no special additives with the recommended oil.

Recommended Oil



*If not available, a synthetic oil may be used having - 5W-30 or 5W-40 viscosity.

Fill engine crankcase with oil as follows:

1. Remove Oil Dipstick from Oil Filler neck.
2. Make sure unit is LEVEL.
3. Pour a measured 3½ pints (56 ounces or 1.65 Liters) of the recommended oil into Filler Neck. DO NOT OVERFILL.



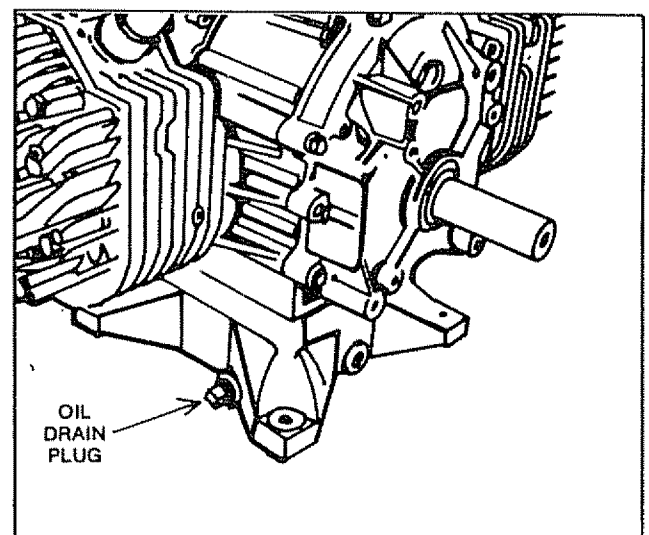
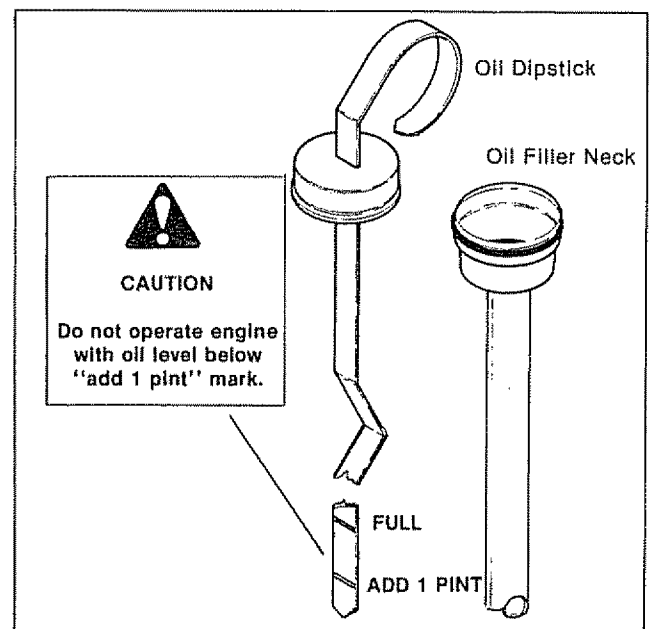
CAUTION

If engine crankcase is overfilled, a smoking condition will result as the engine tries to discharge the surplus oil.

4. Reinstall Oil Dipstick ALL THE WAY into Oil Filler Neck, then remove. Oil should be at Dipstick FULL mark. If oil level is BELOW Dipstick FULL mark, add oil as required to bring level to FULL mark.

5. If oil level is ABOVE the Dipstick FULL mark, remove Oil Drain Plug at base of engine and drain excess oil into a suitable container. Then reinstall drain plug.

6. When oil level is at Dipstick FULL mark, reinstall Dipstick into Filler Neck. MAKE SURE DIPSTICK IS TIGHT.



BATTERY INSTALLATION

A 12 Volt automotive type storage battery is required, and must be purchased separately. Battery should have a 32 amp/hour (or higher) capacity. Install the battery as follows:



CAUTION

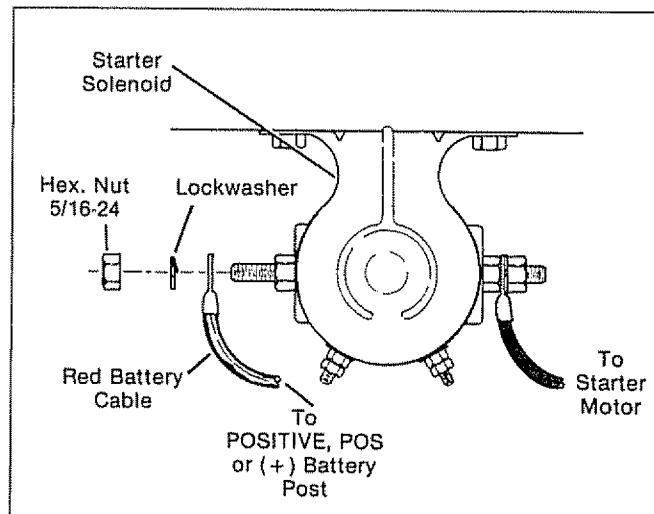
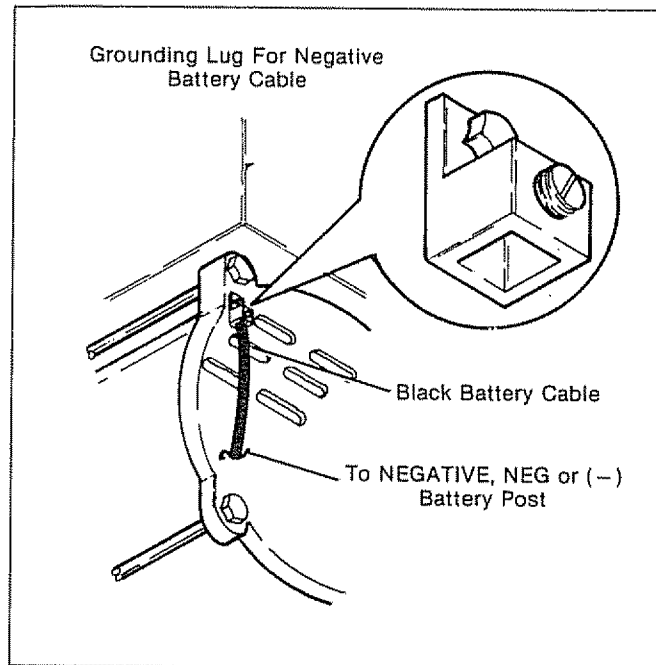
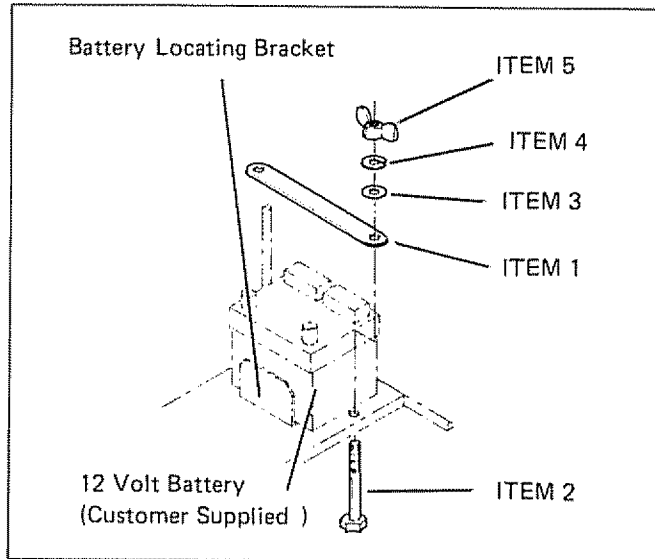
Install the battery and connect battery cables EXACTLY as outlined in this Manual. Incorrect battery cable connections will damage the engine ignition system and/or the alternator battery charging circuit.

1. Set battery into place on cradle against the battery locating bracket.
2. Set the Bracket (Item 1) onto top of battery. MAKE SURE BRACKET DOES NOT CONTACT BATTERY POSTS.
3. Retain Bracket with two 1/4-20 x 7" long bolts (Item 2), Flat Washer (Item 3), Lock Washer (Item 4), and Wing Nuts (Item 5). Snug both Wing Nuts down, but DO NOT OVERTIGHTEN.

BATTERY CONNECTIONS

1. The black battery cable is connected to a grounding lug. Make sure the cable is TIGHT, then connect the other end of black cable to battery post indicated by a NEGATIVE, NEG or (-).

2. The red battery cable is connected to the starter solenoid. Be sure the hex nut that retains the cable is tight. Connect the other end of the red cable to the battery post indicated by a POSITIVE, POS or (+).

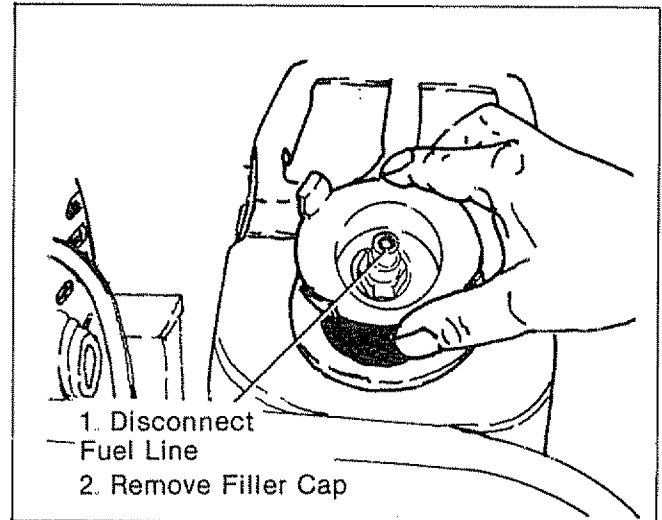


FILL FUEL TANK

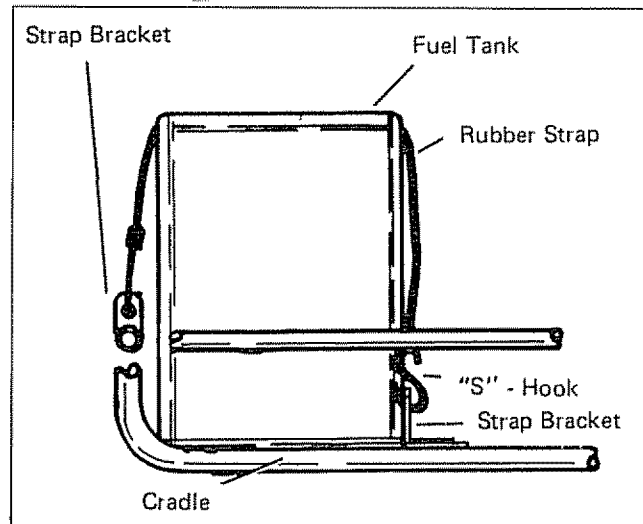
1. Pull back on knurled fitting and remove fuel line from tank filler cap.
2. Remove Fuel Tank filler cap. Fill tank with **CLEAN, FRESH, NON-LEADED** gasoline. (Leaded, **REGULAR** grade gasoline is an acceptable substitute.) Reinstall cover.



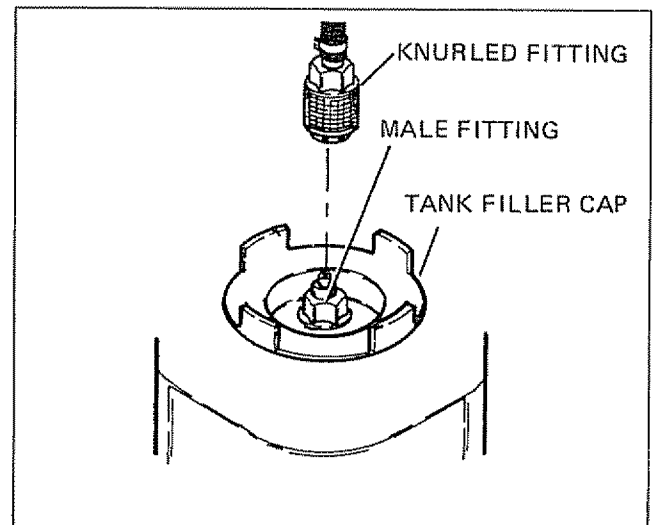
Gasoline vapors are highly flammable and explosive. Avoid spillage. Do not permit smoking, open flame, or sparks in the area while filling fuel tank.



INSTALL FUEL TANK



1. Set Fuel Tank into place on alternator cradle. Pass rubber strap **UNDER** fuel tank lifting handles and hook into both strap brackets.

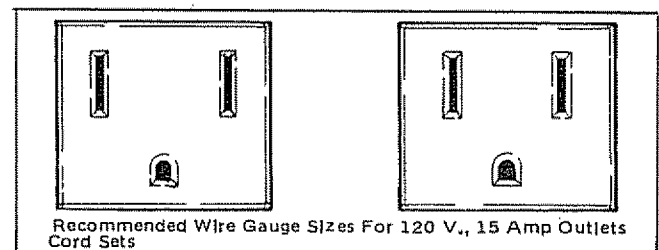


2. To connect fuel line quick-disconnect to tank fitting, pull back on quick-disconnect knurled fitting. Insert open end of knurled fuel line fitting over male fitting on tank, then let knurled fitting snap into place to lock.

CORD SETS FOR 120 VOLT, 15 AMP OUTLETS

Extension cords used with the two 120 volt, 15 amp outlets must be in good condition. Wire gauge sizes of cord sets must be large enough to handle the amperage load of tools and equipment they power. The chart at right lists recommended wire sizes for cord sets, based on the amperage of equipment being used and the length of the cord in feet.

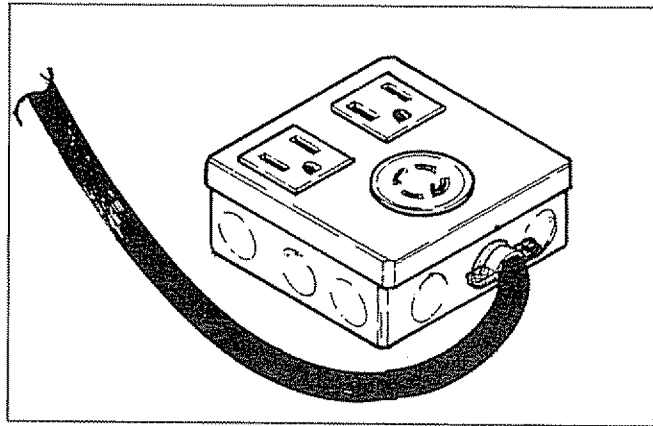
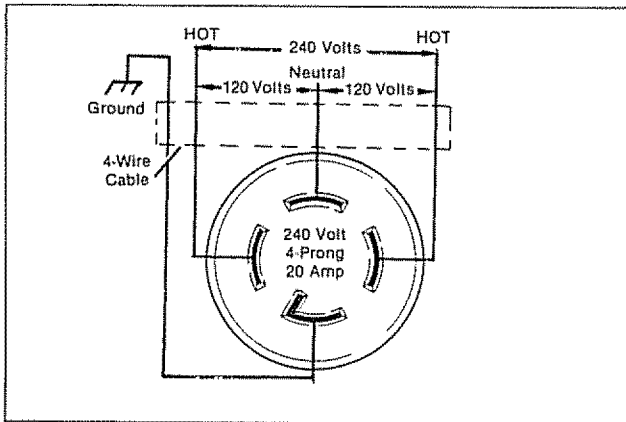
AMPERAGE RATING	LENGTH OF CORD IN FEET		
	50 Ft	100 Ft	150 Ft
2	18 Ga	18 Ga.	18 Ga
3	18 Ga	18 Ga.	18 Ga
4	16 Ga	16 Ga.	16 Ga
5	16 Ga	16 Ga.	16 Ga
6	16 Ga	16 Ga.	14 Ga
8	16 Ga	14 Ga	12 Ga
10	16 Ga	14 Ga	12 Ga
12	14 Ga	14 Ga	12 Ga
14	14 Ga	12 Ga	10 Ga
16	12 Ga	12 Ga	10 Ga.



Optional Wiring Connections - 240 Volt Connector Plug



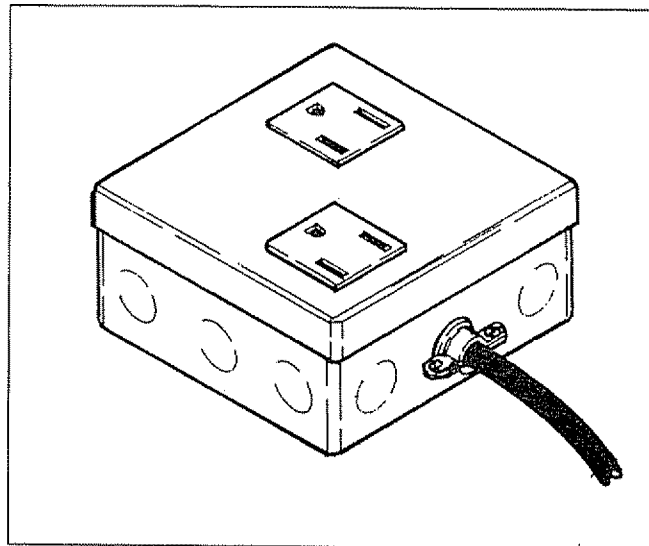
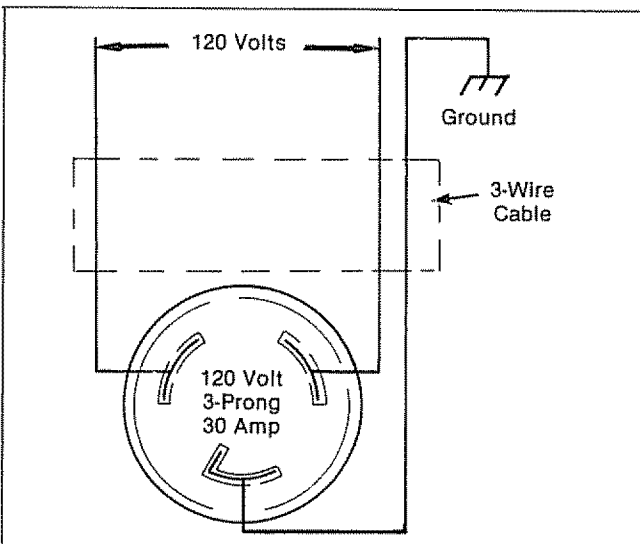
All wiring connections should be done by a QUALIFIED electrician. Improper or unauthorized wiring connections are not only dangerous, but may damage equipment. Wire gauge sizes must be large enough to handle the maximum amperage load. All applicable electrical codes must be complied with.



A 240 volt, 4-prong, 20 amp connector plug is included with the alternator. If additional plugs are required, refer to REPAIR PARTS section of Owner's Manual. The 240 volt outlet will supply both 120 volts a-c and 240 volts a-c, as shown above, when a 4-wire cable is connected to the connector plug.

One method of connecting a 4-wire cable to the connector plug, is to terminate the cable at a connection box. See illustration above. When a Stand-By kit is ordered, a 4-wire cord set is included (see INSTALLATION OF STAND-BY POWER SYSTEMS, page 4).

Optional Wiring Connections - 120 Volt, 30 Amp Connector Plug



A 120 volt, 3-prong, 30 amp connector plug is included with the alternator. If additional plugs are required, refer to REPAIR PARTS section of manual. A 3-wire cable must be purchased and connected to the plug as shown above.

One method of connecting a 3-wire cable is to terminate the cable at an outlet box, as shown above

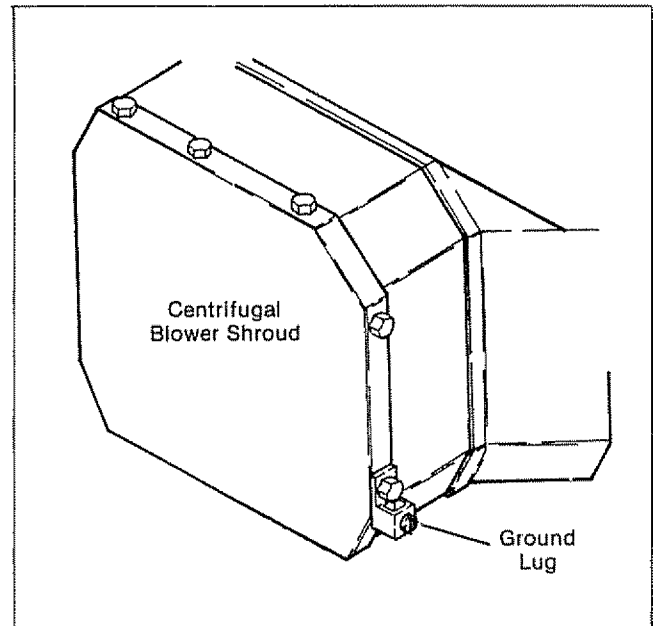
GROUNDING THE ALTERNATOR

An earth grounding lug is provided on the alternator blower shroud. Connect a grounding wire to this lug that is no smaller than a No. 8 AWG. When using the alternator, the free end of the grounding wire must be connected to earth ground, or to a pipe or structure that is attached to earth ground.



DANGER

DO NOT, under any circumstances, attach the grounding wire to any structure, pipe, or container that contains a combustible material. This can result in fire or explosion in the event the alternator frame becomes electrically charged.



Section 2 OPERATING INSTRUCTIONS

DO AND DON'T CHART

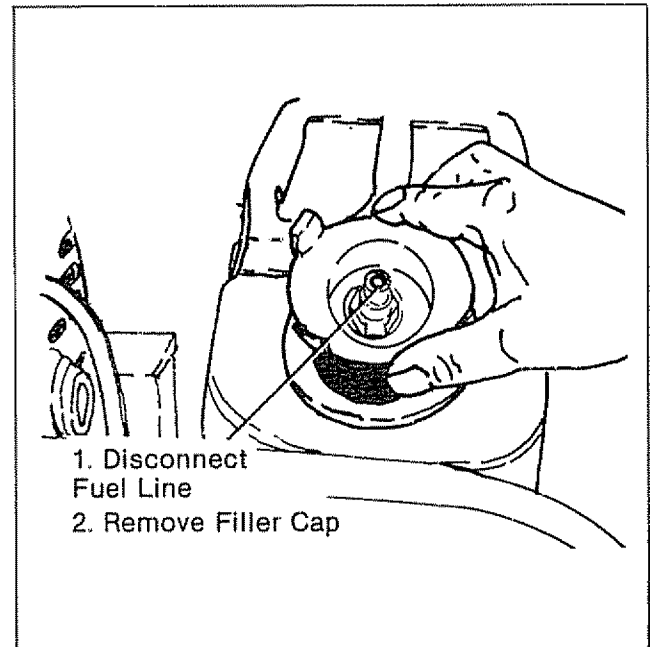
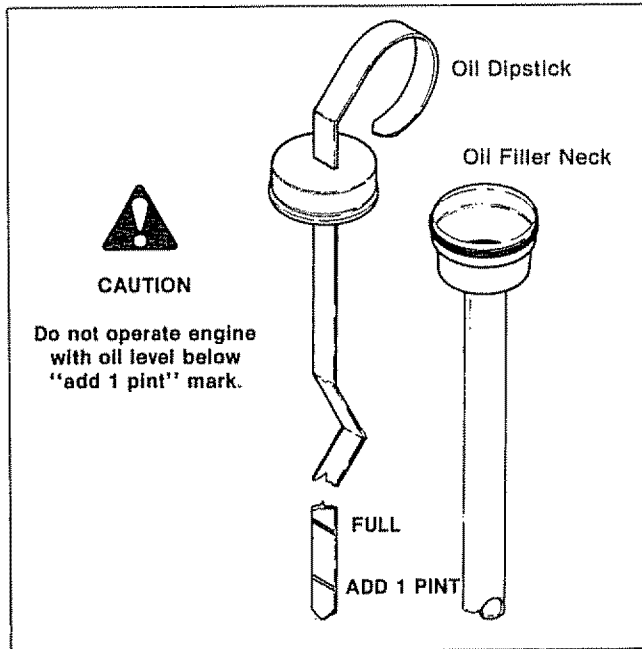
DO	DON'T
<p>1. DO read all instructions in this Manual before operating your alternator.</p> <p>2. DO unplug all power cords from alternator outlets before starting or stopping the unit.</p> <p>3. DO add up wattages of all equipment to be powered by the alternator at one time. This total must not exceed 4500 watts.</p> <p>4. DO remember that some electric motors require more WATTS of power for starting than for running.</p> <p>5. DO make sure that wire gauge sizes of electrical cords are large enough to handle the maximum anticipated amperage.</p> <p>6. DO comply with laws pertaining to the storage and handling of gasoline.</p> <p>7. DO comply with all instructions in Section 3 of this Manual (MAINTENANCE.)</p> <p>8. DO disconnect wire from engine spark plug before working on or around the alternator. This will prevent accidental starting of the engine.</p>	<p>1. DON'T fill the gas tank while the engine is running or in the dark. Gasoline spillage on a hot engine can cause fire or an explosion.</p> <p>2. DON'T run the alternator in any enclosed space. Gasoline engines consume oxygen and give off DEADLY carbon monoxide.</p> <p>3. DON'T install the alternator in any compartment that will restrict the free flow of cooling air. Without this free flow of cooling air, serious heat damage to the alternator will occur.</p> <p>4. DON'T attempt to change engine governed speed. High operating speeds are extremely dangerous. The alternator will produce the required voltage and frequency ONLY AT 1800 RPM.</p> <p>5. DON'T run the engine with the air cleaner removed. Serious damage to the engine can result.</p> <p>6. DON'T unplug or plug in electrical power cords while standing in water, while barefoot, or while hands are wet. Dangerous electrical shock can result.</p> <p>7. DON'T touch muffler, exhaust piping, or engine. They become HOT and will cause serious burns.</p>



CAUTION

Engines are shipped without oil. Any attempt to start the engine before the recommended oil has been properly added to the engine crankcase will result in an engine failure.

BEFORE STARTING THE ENGINE



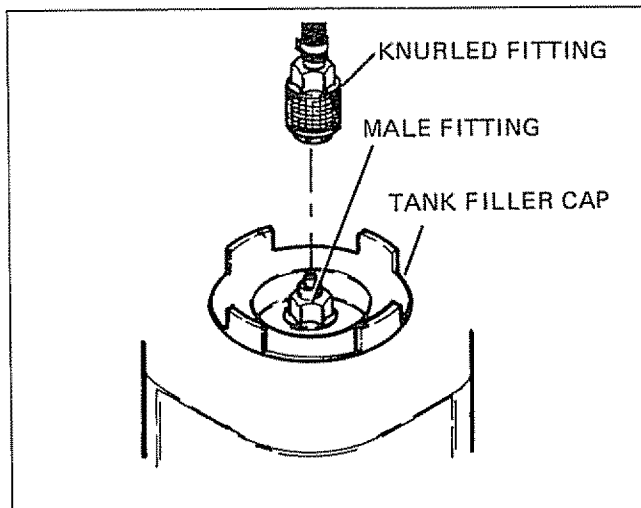
1. Make sure engine crankcase has been properly filled with the recommended oil. See LUBRICATION on Page 8.

2. Fill gas tank with clean, fresh, NON-LEADED gasoline. (Leaded, REGULAR grade gasoline is an acceptable substitute.)

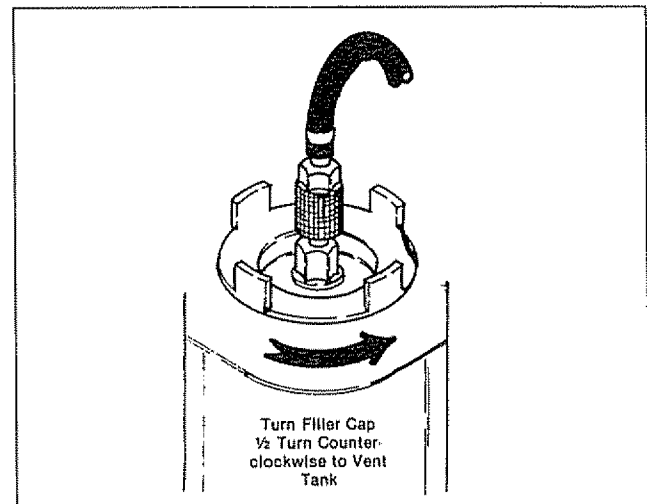


DANGER

Gasoline vapors are highly flammable and explosive. Do not permit smoking, open flame, or sparks in the vicinity while filling gas tank. Do not allow gasoline to spill on any hot surface.



3. Connect fuel supply hose to gas tank outlet fitting. Pull back on the knurled sleeve, insert hose fitting over tank outlet fitting and let the sleeve snap into place to lock.



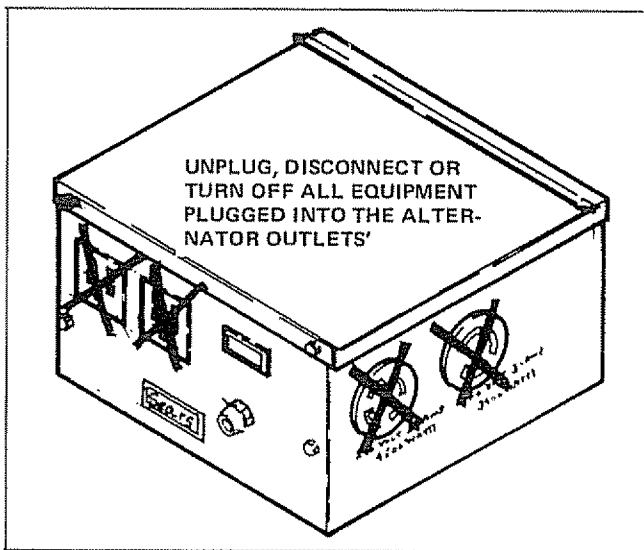
4. Turn gas tank filler cap one-half turn counterclockwise to vent tank.

5. Unplug, disconnect or turn OFF all electrical equipment.

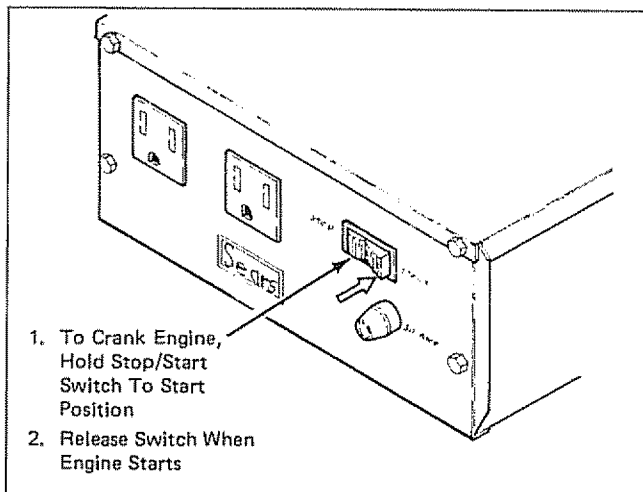
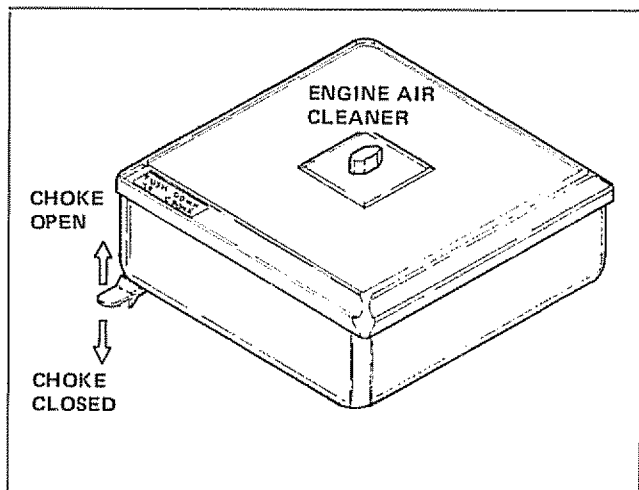


CAUTION

Never start the alternator with electrical equipment plugged in and turned ON. Correct voltage and frequency can only be obtained with engine running at governed speed of 1800 rpm. Some electrical equipment can be damaged by incorrect voltage and/or frequency.



STARTING THE ENGINE



1. Move Choke Lever all the way down to CLOSED position.

2. Hold Start/Stop switch at START position to crank engine. Release switch when engine starts. Then open choke gradually as engine warms up.

NOTE

Lesser amounts of choking may be required when engine is warm.



CAUTION

Do not crank engine continuously for longer than about 30 seconds at a time. Excessively long cranking periods may result in damage to the starter motor. Each 30 second cranking period should be followed by at least a 1 minute "cooling off" period.

STOPPING THE ENGINE

1. Unplug, disconnect, or turn OFF all electrical loads. Let the engine run for a few minutes to cool.
2. Set the Start/Stop switch to STOP position. Do not leave unit until engine has come to a complete stop.

WATTAGE AND POWER

Watts is a measure of electrical POWER. In most cases, approximate watts can be found by multiplying VOLTS times AMPS. For example, if a certain appliance requires 10 amps of current at 120 volt:

$$\begin{aligned} \text{WATTS} &= \text{VOLTS} \times \text{AMPS} \\ \text{WATTS} &= 120 \times 10 \\ \text{WATTS} &= 1200 \end{aligned}$$

That particular appliance requires approximately 1200 watts for its operation.

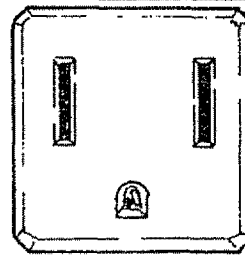
USING THE 120 VOLT, 15 AMP OUTLETS



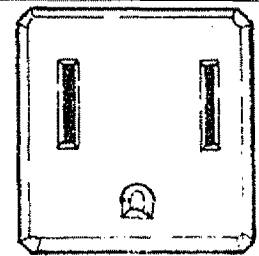
CAUTION

Make sure extension cords are large enough. Read **CORD SETS FOR 120 VOLT 15 AMP OUTLETS** on Page 11.

Each of these outlets is rated at a maximum capacity of 15 amps, or 1800 watts. Do not attempt to run equipment requiring more than 15 amps or 1800 watts of power. Do not attempt to run 240 volt equipment from either outlet.



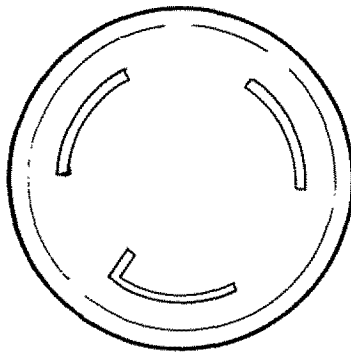
120 VOLT, 15 AMPS
1800 WATTS



120 VOLT, 15 AMPS
1800 WATTS

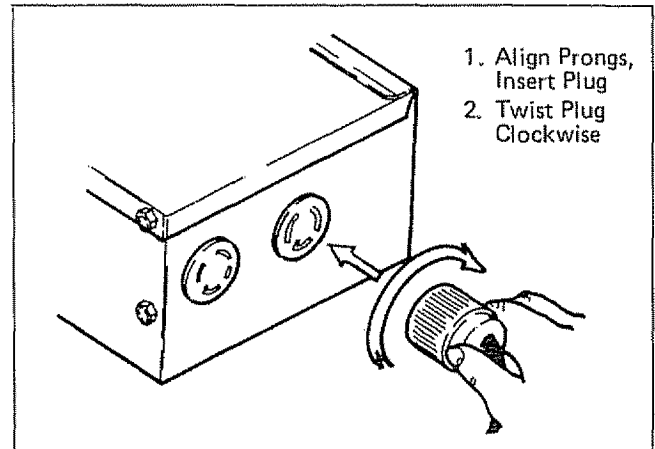
USING THE 120 VOLT, 30 AMP OUTLET

A 3-prong, 30 amp connector plug for this outlet is shipped with the alternator. (See **PARTS SHIPPED WITH ALTERNATOR** on Page 5.) The plug must be connected to a suitable cord set (see Page 12.)



120 VOLT, 30 AMP
3600 WATTS

The outlet has a 30 amp or 3600 watt capacity. Do not attempt to run equipment requiring more than 30 amps or 3600 watts from the outlet.

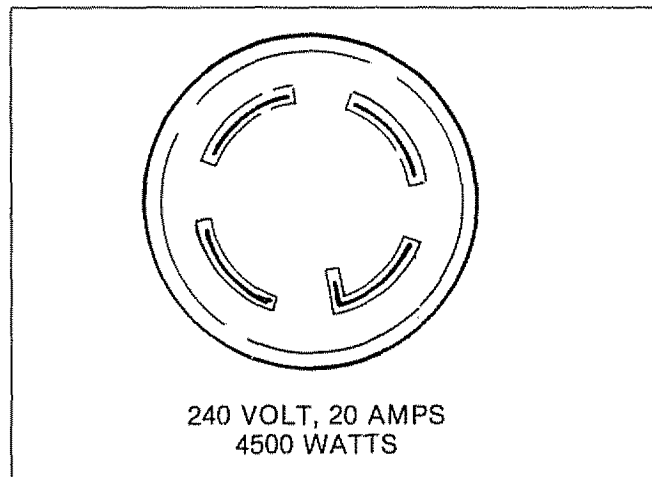


To plug the connector plug into the outlet, line up prongs and insert plug. Then twist plug clockwise to lock.

USING THE 240 VOLT, 20 AMP OUTLET

A 4-prong, 20 amp connector plug for this outlet is shipped with the alternator (see PARTS SHIPPED WITH ALTERNATOR, Page 5). The plug must be connected to a suitable cord set (see Page 11).

The outlet has a 20 amp capacity and can handle the full 4500 watt capacity of the alternator. To plug the connector plug into the outlet, align the 4 prongs and insert plug. Then twist the plug clockwise to lock.



DON'T OVERLOAD THE ALTERNATOR

Alternator wattage capacity is 4500 watts, with a surge capacity of 5600 watts. The 4500 watt capacity of the unit should not be exceeded, except for momentary periods. Add up the wattage ratings of all equipment to be powered by the alternator at one time. This total should not exceed 4500 watts.

IMPORTANT

Alternator stator windings are protected by a temperature sensitive device. Any prolonged overloading of the unit will result in high internal temperatures, which will cause this device to "trip". NO A-C POWER WILL BE AVAILABLE FROM ALTERNATOR OUTLETS UNTIL INTERNAL TEMPERATURES HAVE RETURNED TO NORMAL. If a loss of electrical output occurs, immediately unplug, turn OFF, or disconnect electrical loads. Let unit cool for several minutes, then reconnect loads NOT TO EXCEED 4500 watts.

MOTOR STARTING REQUIREMENTS

Some electric motors requires more watts of power for starting than for continuous on-speed operation. To find approximate starting and running watts for these motors, locate the TYPE OF MOTOR and its HORSEPOWER on the motor nameplate. Then find starting and running watts in the following CHART.

MOTOR STARTING REQUIREMENTS		APPROXIMATE STARTING WATTS			
Motor H.P. Rating	Approx. Running Watts	Universal Motors	Repulsion Induction Motors	Capacitor Motors	Split Phase Motors
1/8	275	400	600	850	1200
1/4	400	500	850	1050	1700
1/2	450	600	975	1350	1950
3/4	600	750	1300	1800	2600
1	850	1000	1900	2600	•
1 1/2	1000	1250	2300	3000	•
2	1800	•	3200	4200	•
3	2000	•	3900	5100	•
5	3000	•	5200	6800	•
•	4800	•	7500	9800	•

*Motors of higher horsepower shown in this classification are not generally used.

CHARGING A BATTERY

The alternator battery receives a trickle charge of 0 - 8 amps as long as the engine is running. This battery charging circuit can be used to recharge an external 12 volt battery, as well.



CAUTION

The battery charging circuit is designed for 12 volt, automotive type storage batteries only. Do not attempt to recharge any 6 volt battery, or any other type of battery.



DANGER

A charging battery gives off **EXPLOSIVE** hydrogen gas. Do not permit smoking, open flame, or sparks in the vicinity of a charging battery. Remove battery vent caps before attempting to recharge the battery.

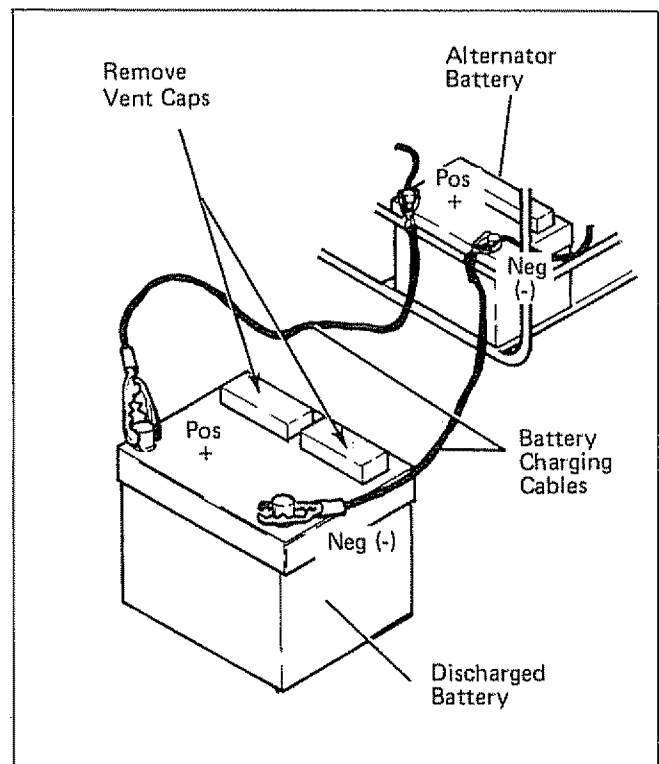


DANGER

Battery fluid is an extremely caustic sulfuric acid solution that can cause severe burns. Avoid spillage of fluid, or contact with skin, eyes, wiring insulation or painted surfaces. If spillage or contact occurs, flush immediately with clear water.

To recharge a discharged battery, proceed as follows:

1. Remove battery vent caps.
2. Connect a battery jumper cable to alternator battery post indicated by a **POSITIVE, POS** or **(+)** and to the discharged battery post indicated by a **POSITIVE, POS** or **(+)**.
3. Connect a second battery jumper cable to alternator battery post indicated by a **NEGATIVE, NEG** or **(-)** and to the discharged battery post indicated by a **NEGATIVE, NEG** or **(-)**.
4. Start the alternator engine.
5. When discharged battery has recharged, shut alternator engine down and disconnect battery cables.



Section 3

PREVENTIVE MAINTENANCE

MAINTENANCE CHART

Maintenance Task	After First 5 Hours	Each 25 Hours	Each 100 Hours	Each 300 Hours	Other
General Inspection	X	X			
Change Oil	X	X			
Service Air Cleaner		X			
Inspect 30 Amp Fuse		X			
Replace Spark Plugs			X		
Clean Gas Tank			X		
Inspect Cooling Fins			X		
De-Carbonize Muffler			X		
Replace Fuel Filter				X	
De-Carbonize Cylinder Head				X	
Prepare Unit for Storage					See NOTE

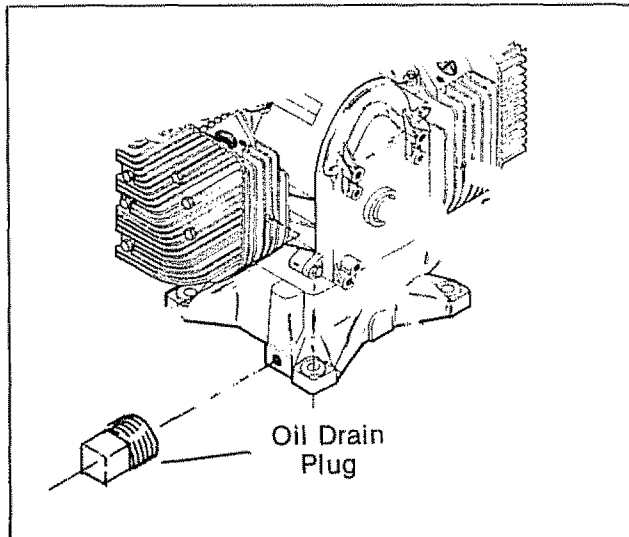
NOTE: Prepare unit for storage when it is to remain idle longer than 30 days.

GENERAL INSPECTION

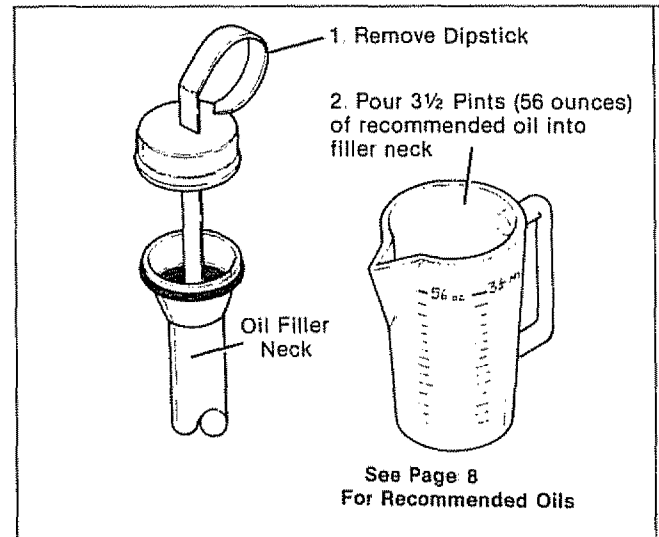
Perform a complete overall inspection of the entire unit after the first 5 hours of operation, every 25 operating hours thereafter. Check for (1) oil leaks, (2) fuel leaks, (3) missing, rusted or damaged nuts, bolts, washers, etc. Inspect battery posts and battery cables. Clean and tighten if necessary. Check battery fluid level.

CHANGE OIL

Drain and refill engine crankcase with oil after the first 5 hours of operation, every 25 operating hours thereafter. Always drain oil while engine is warm from running. Always check oil level with unit level. Change oil as follows:

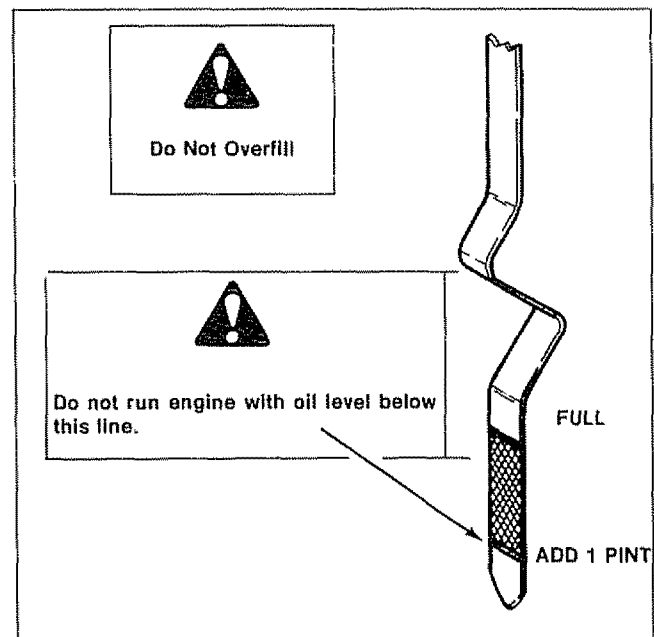


1. With engine still warm from running, remove Oil Drain Plug at base of engine. Drain oil completely into a suitable container. Then reinstall Oil Drain Plug securely.



2. Remove Oil Dipstick from Oil Filler neck. Pour a measured 3 1/2 Pints (56 Ounces or 1.65 Liters) into Oil Filler neck.

3. Make sure unit is level. Wipe dipstick dry with a clean, lint-free cloth. Install dipstick ALL THE WAY into Oil Filler neck. Remove dipstick and check oil level. Level should be at dipstick FULL mark.



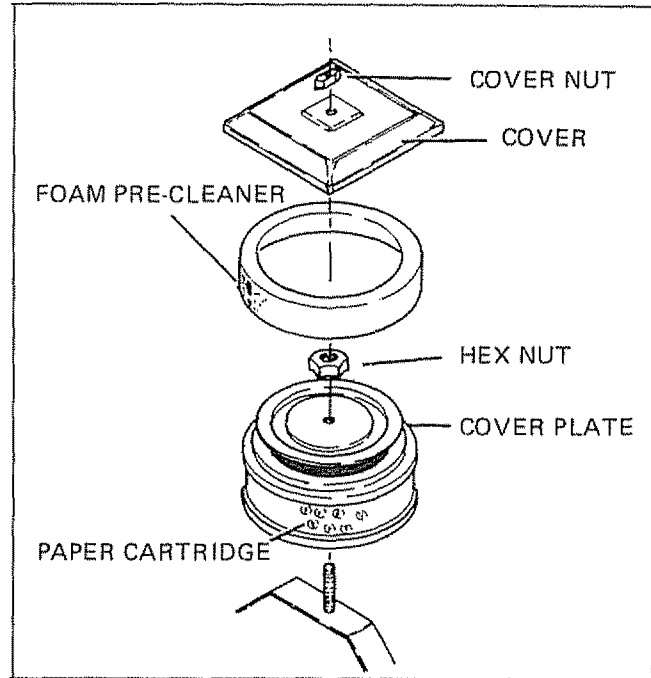
CAUTION

DO NOT OVERFILL ENGINE CRANKCASE WITH OIL. Do not operate engine with oil level below ADD 1 PINT mark on dipstick. If engine is overfilled, smoking from oil breathers will result as engine tries to get rid of excess oil. Engine damage may result if engine is operated with oil level below ADD 1 PINT mark.

SERVICE AIR CLEANER

Clean and re-oil Air Cleaner foam pre-cleaner at 3 month intervals or every 25 operating hours, whichever comes first. Service more often if operating under dirty or dusty conditions. Service foam pre-cleaner as follows:

1. Remove cover nut and cover.
2. Remove foam pre-cleaner by sliding it up and off the paper cartridge.
3. A-Wash foam pre-cleaner in liquid detergent and water.
B-Squeeze pre-cleaner dry.
C-Oil pre-cleaner with one ounce clean engine oil.
D-Squeeze to distribute oil.
4. Assemble pre-cleaner to paper cartridge.
5. Install cover and cover nut. Turn cover nut down tight.

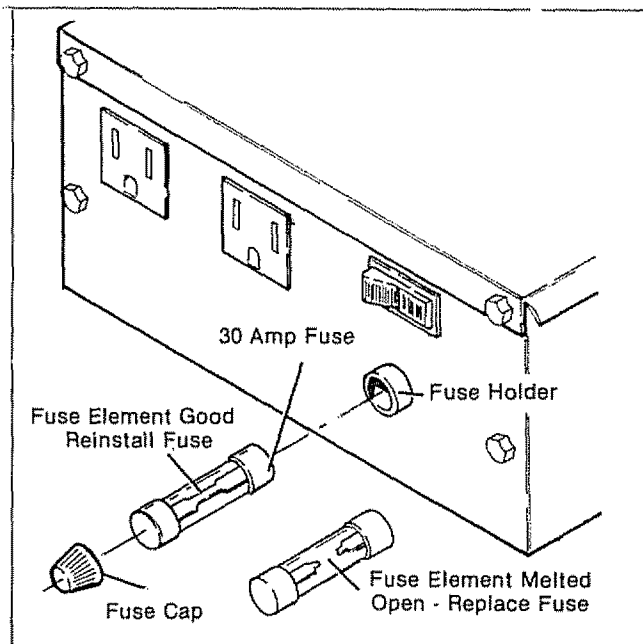


Once yearly or every 100 hours of operation (whichever comes first), remove hex nut, cover plate, and paper cartridge. Clean paper cartridge by tapping gently on a flat surface. If extremely dirty, replace cartridge or wash cartridge in liquid detergent and water. Rinse cartridge until water remains clear. AIR DRY CARTRIDGE THOROUGHLY BEFORE USING.

INSPECT 30 AMP FUSE

The alternator is equipped with a battery charging circuit. This circuit provides an automatic "trickle" charge of 0 - 8 amps to the unit battery whenever the engine is running. The circuit is protected by a 30 amp fuse. Inspect the fuse every 25 hours of operation, as follows:

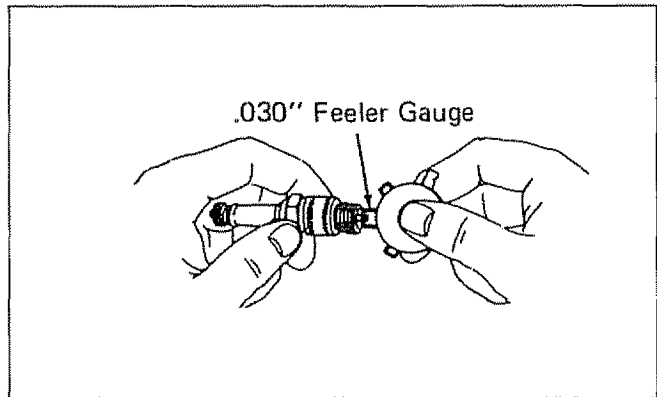
1. Push in on Fuse Cap and turn counterclockwise to remove. Remove Fuse Cap and 30 Amp Fuse.
2. Inspect fuse element. If the element is melted open, replace fuse. Use only an identical 30 amp replacement fuse.
3. To install Fuse, insert metal end of fuse into Fuse Cap. Install Fuse and Fuse Cap into Fuse Holder and rotate Cap clockwise while pushing in on Fuse Cap.



SPARK PLUGS

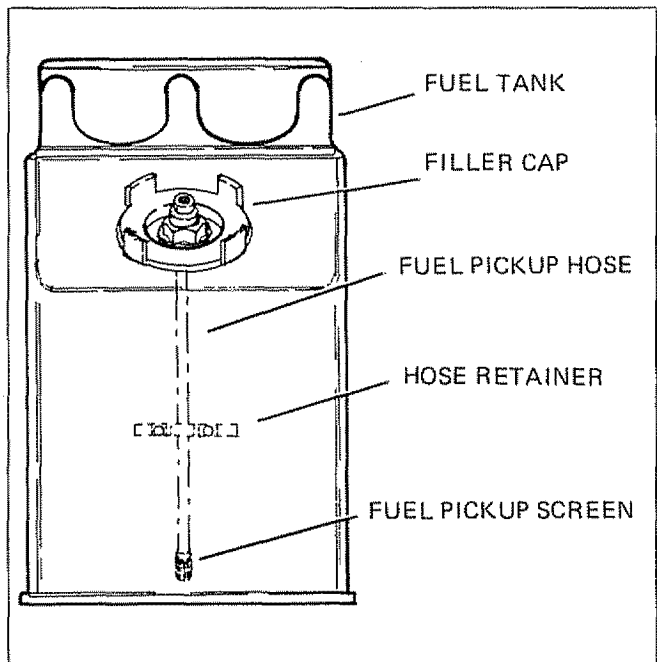
Replace both spark plugs every 100 operating hours, as follows:

1. Remove wires from spark plugs.
2. Use 13/16 inch spark plug wrench (or deep socket) to remove both spark plugs. Turn plugs counterclockwise to remove.
3. Use Champion RJ-8, Auto-Lite A-71, or AC plug GC-46 replacement spark plugs. Set gap on plug to 0.030 inch, using a wire spark plug gauge.
4. Install both spark plugs with new gasket. Tighten plugs hand tight until gasket contacts spark plug seat firmly. Then use spark plug wrench to tighten about $\frac{3}{4}$ of a turn more. (NOTE: -If torque wrench is available, tighten spark plug to 200 Inch-Pounds.)



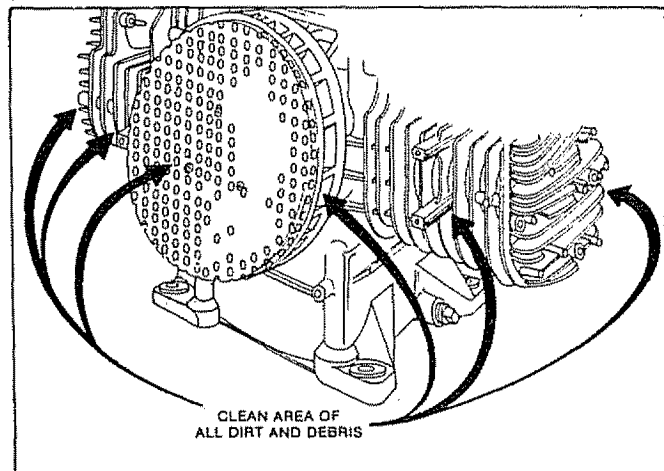
CLEAN FUEL TANK

About every 100 hours of operation or every 3 months (whichever comes first), clean the fuel tank. Pour about a quart of clean gasoline into tank, shake vigorously, then empty tank completely. Move hose retainer sideways so it will fit through tank filler opening, and remove filler cap. Inspect fuel pickup screen for clogging. Clean, if necessary.



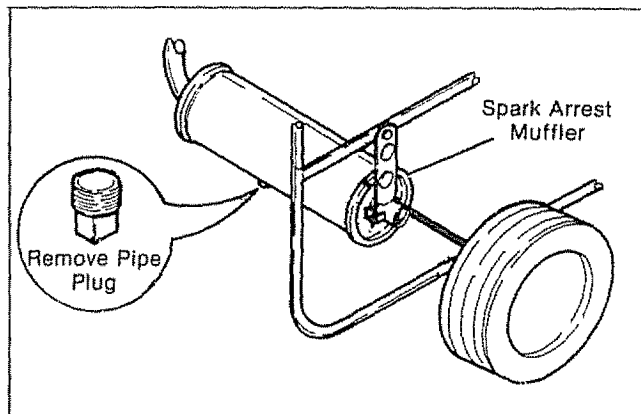
INSPECT COOLING FINS

Grass particles, chaff, dirt or grease can clog the cooling fins on the engine. Continued operation with a clogged cooling system will result in overheating and possible engine damage. Illustration at right shows blower housing removed and area to be cleaned. Inspect cooling fins and clean, if necessary, every 100 operating hours.



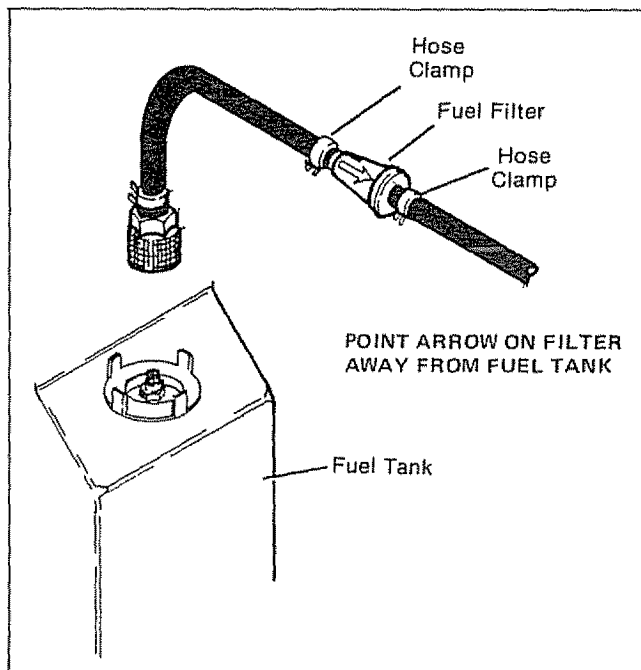
DE-CARBONIZE MUFFLER

Clean carbon and condensation from spark arrest muffler every 100 hours of operation. Remove pipe plug from muffler. Start engine and let run for about 5 - 10 minutes. Shut engine down. When muffler has cooled, reinstall pipe plug.



REPLACE FUEL FILTER

Replace In-Line Fuel Filter every 300 hours of operation, or when obviously clogged. Use pliers to spread clamps each end of filter then slide clamps free of filter ends. Install new filter with arrow on filter body pointing away from fuel tank. Retain hose to filter with hose clamps. Start engine and check for leaks. Replace defective hoses or hose clamps.



DE-CARBONIZE ENGINE CYLINDER HEADS

Excessive carbon build-up in engine combustion area will rob engine power and result in rough engine operation. Have carbon deposits removed every 300 operating hours, more often if operating under a steady load, or whenever cylinder head is removed.

STORAGE

Whenever the alternator is to be idle for longer than 30 days, prepare for storage as follows:

1. Disconnect fuel supply hose from fuel tank filler cap.
2. Start engine and let it run out of gas.
3. Let engine cool.
4. When engine has cooled, remove both spark plugs. Pour 2 or 3 tablespoons of clean engine oil into each spark plug opening. Crank engine to distribute oil.
5. Store unit in a clean, dry, dust-free area.
6. Before using unit after storage, drain and refill engine crankcase with recommended oil. See CHANGE OIL, Page 20.

Troubles - Causes And Remedies

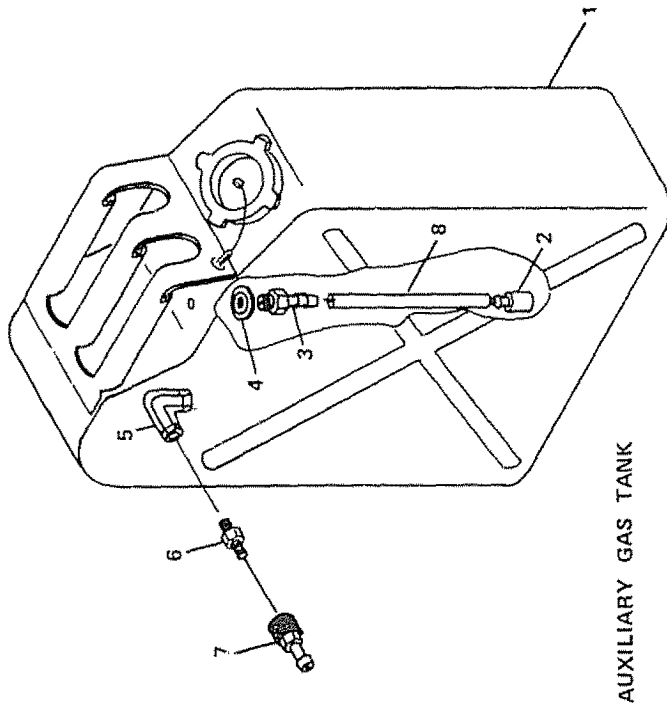
POSSIBLE CAUSE

A. ENGINE WILL NOT START OR STARTS WITH DIFFICULTY	
<ol style="list-style-type: none"> 1. Out of gas 2. Fuel tank not vented 3. Clogged in-line fuel filter 4. Clogged fuel tank screen filter 5. Engine over-choked 6. Defective spark plug 7. Engine air cleaner dirty 8. Gummy deposits from old gasoline 	<ol style="list-style-type: none"> 1. Fill fuel tank 2. Turn fuel tank filler cap one-half turn counterclockwise 3. Replace filter 4. Clean fuel tank filter screen 5. Open choke 6. Replace spark plug(s) 7. Clean or replace 8. Have fuel system cleaned
B. ENGINE LACKS POWER AND/OR RUNS ROUGH	
<ol style="list-style-type: none"> 1. Choke partly closed 2. Oil level low in engine crankcase 3. Dirty air cleaner 4. Improper spark plug gap 5. Spark plug(s) defective 6. Carbon build-up in engine cylinder head 	<ol style="list-style-type: none"> 1. Open choke 2. Check oil level - fill to FULL mark on dipstick 3. Clean or replace 4. Set gap to 0.030 inch 5. Replace spark plugs 6. Have cylinder head removed and de-carbonized
C. ENGINE RUNS HOT	
<ol style="list-style-type: none"> 1. Lack of lubrication 2. Engine cooling fins dirty 3. Cooling air flow obstructed 4. Excessive load on engine 5. Defective alternator bearing 	<ol style="list-style-type: none"> 1. Check oil level - fill to FULL mark on dipstick 2. Clean cooling fins 3. Remove all obstructions from cooling air inlet and outlet 4. Check wattage of all equipment - total wattage should not be more than 4500 watts 5. Have bearing replaced
D. LOW OR NO VOLTAGE OUTPUT FROM ELECTRICAL OUTLETS	
<ol style="list-style-type: none"> 1. Engine bogging down due to overloading of alternator 2. Engine speed too low 3. Defective or shorted electrical equipment plugged into alternator 4. Engine power low due to defective spark plug(s) 5. Engine power low due to dirty engine air cleaner 6. Carburetor requires adjustment 7. Carbon buildup 	<ol style="list-style-type: none"> 1. Recheck total wattage of all equipment -total must not be more than 4500 watts 2. Have governor adjusted by Sears Service Center 3. Unplug all equipment, then plug in one device at a time to find device that is shorted or defective 4. Replace spark plug(s) 5. Clean/replace air cleaner elements 6. Have Sears Service Technician adjust carburetor 7. Have cylinder head de-carbonized

Repair Parts

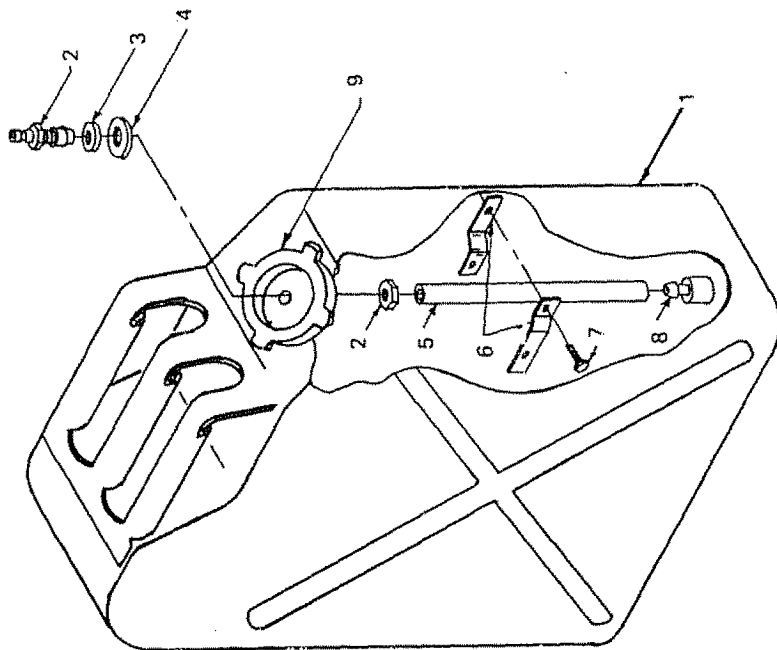
Exploded View Of Fuel Tank

Model No. 580.326010



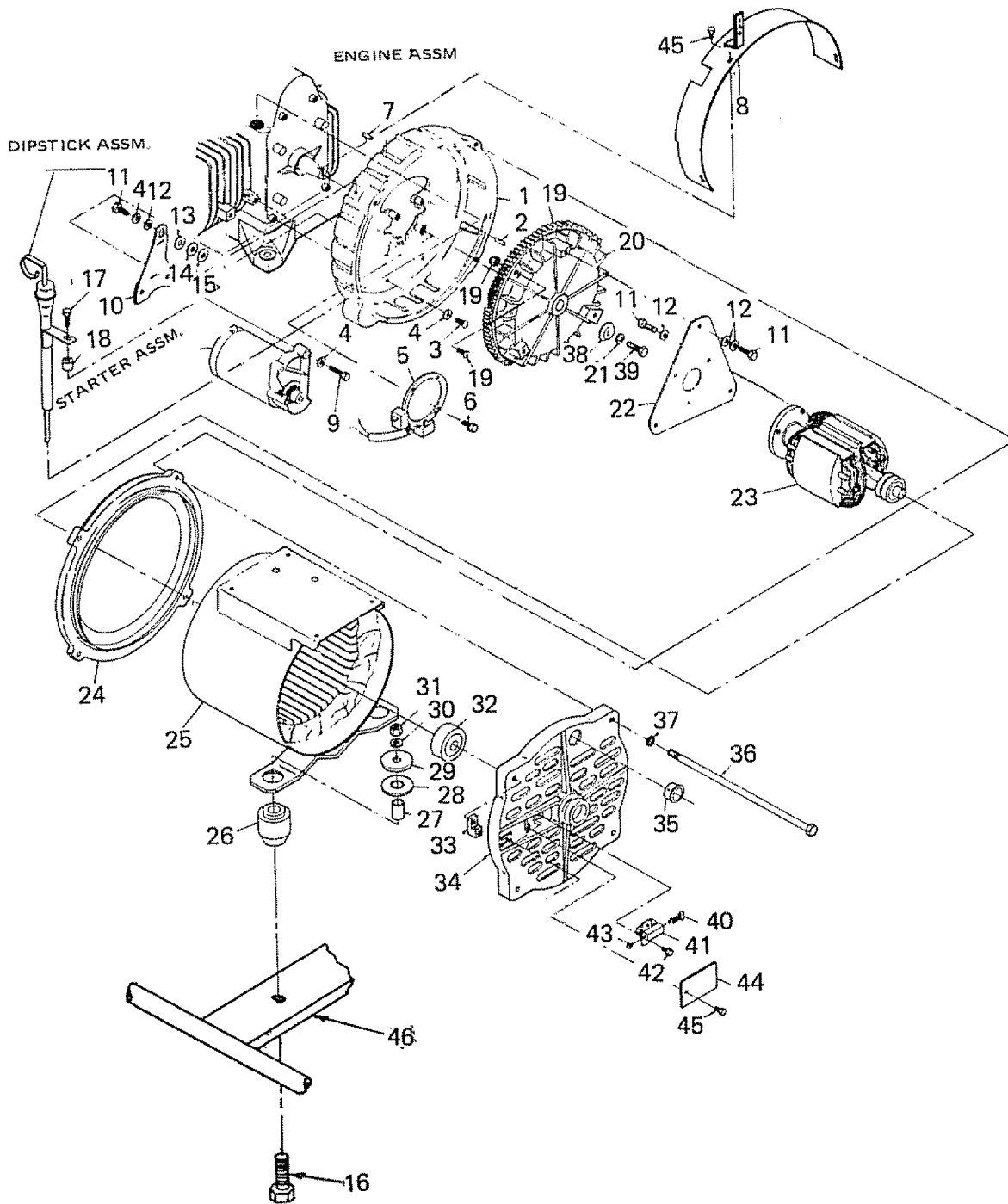
AUXILIARY GAS TANK

Item	Part No.	Description
1	50543	5 Gallon Fuel Tank Assembly (Complete w/Fittings)
2	43413	5 Gallon Fuel Tank (1 Req'd)—(Tank Only, Less Fittings)
3	43434	Fuel Pick-Up and Strainer (1 Req'd)
4	39451	Barbed Fitting (1 Req'd)
5	43442	Gasket Washer (1 Req'd)
6	35484	90° Elbow (1 Req'd)
7	43426	Quick-Disconnect (Male) (1 Req'd)
8	30288	Quick-Disconnect (Female) (1 Req'd)
	40914-H	Fuel Line (1 Req'd)



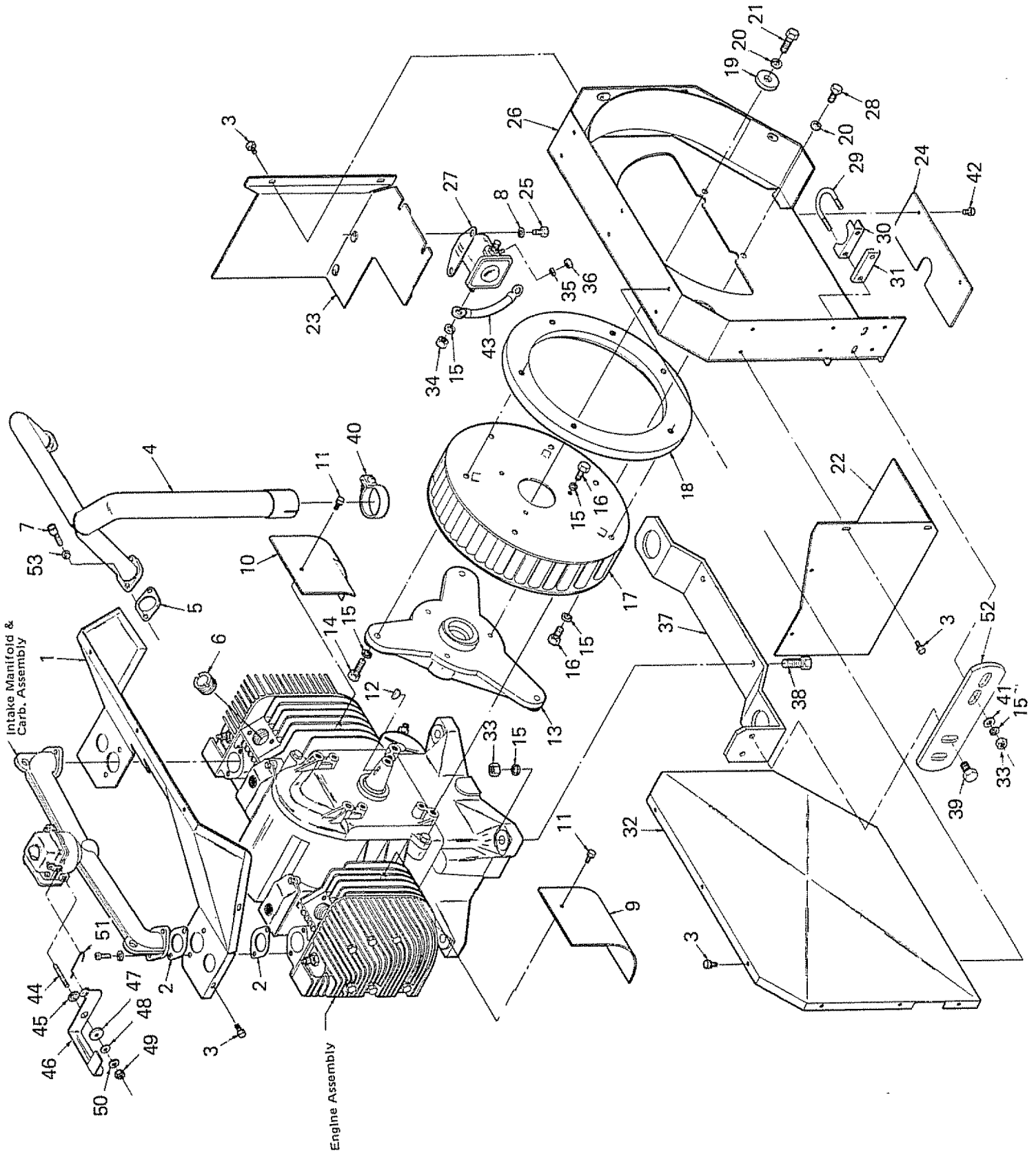
1	43413	5 Gallon Fuel Tank (Without Fittings)
2	50543	5 Gallon Fuel Tank (Complete with Fittings)
3	50541	Quick Disconnect, Male
4	43441	Washer, 3/8 SAE
5	43442	Washer, Gasket
6	47662-Y	Hose, Fuel
7	50540	Retainer, Fuel Line
8	46852	Screw, No. 10-32 Taptight
9	43434	Pick-Up Fuel
	50542	Cap, Filler

Exploded View Of Alternator



	Parts List	
	Exploded View Of	
Repair Parts	Alternator	Model No. 580.326010

Item	Part No.	Description
1	42764	HOUSING, Engine Adapter (1 Req'd)
2	22104	PIN, Dowel (2 Req'd)
3	42775	BOLT, Button Head - 5/16-18 x 1" Long (4 Req'd)
4	22129	WASHER, Lock - 5/16" (7 Req'd)
5	49463	STATOR, Ignition (1 Req'd)
6	24489	SCREW, Taptite - No. 10-32 x 3/8" Long (4 Req'd)
7	42776	KEY, Square (1 Req'd)
8	50378	BRACKET, Speed Control and Fan Guard (1 Req'd)
9	42782	CAPSCREW, Hex. head (Grade 5(- 5/16-18 x 1 3/4" Long (2 Req'd)
10	42876	BRACKET, Starter Motor Support (1 Req'd)
11	30332	CAPSCREW, Hex. Head - 5/16-18 x 3/4" Long (7 Req'd)
12	22145	WASHER, Flat - 5/16" (10 Req'd)
13	42770A	SHIM, Starter Bracket - .002" Thick (As Required)
14	42770B	SHIM, Starter Bracket - .005" Thick (As Required)
15	42770C	SHIM, Starter Bracket - .010" Thick (As Required)
16	31545	CAPSCREW, Hex. Head - 3/8-16 x 3/4" Long (4 Required)
17	24655	SCREW, Taptite - 1/4-20 x 1" Long (1 Req'd)
18	50396	SPACER, (1 Req'd)
19	49462	RING GEAR, with fasteners (1 Req'd)
20	42780	FAN and MAGNET ASSEMBLY (1 Req'd)
21	42774	WASHER, Belleville - 5/16" (1 Req'd)
22	42875	SPIDER, Disc Drive (1 Req'd)
23	49280	ROTOR and HUB ASSEMBLY,(1 Req'd)
24	47656	HOUSING, Alternator Adapter (1 Req'd)
25	43859	STATOR ASSEMBLY (1 Req'd)
26	47665	VIBRATION DAMPENER (4 Req'd)
27	49448	SPACER, Vibration Dampener (4 Req'd)
28	47666	WASHER, Rubber (4 Req'd)
29	49451	WASHER, (4 Req'd)
30	22237	WASHER, Lock - 3/8" (4 Req'd)
31	22241	NUT, Hex. - 3/8-16 (4 Req'd)
32	24049	BEARING, Rotor (1 Req'd)
33	46453	LUG, Grounding (1 Req'd)
34	47670	CARRIER, Rear Bearing (1 Req'd)
35	23484-F	BUSHING, Plastic Snap - 1" (1 Req'd)
36	44395-E	BOLT, Stator - 8 1/2" Long (4 Req'd)
37	22097	WASHER, Lock - 1/4" (4 Req'd)
38	42771	WASHER, Fan Retaining (1 Req'd)
39	30209	CAPSCREW, Hex. Head - 5/16-24 x 1 1/4" Long (1 Req'd)
40	A-24044-A	BRUSH, (2 Req'd)
41	23877-D	HOLDER, Brush (1 Req'd)
42	24488	SCREW, Taptite - No. 8-32 x 5/8" Long (2 Req'd)
43	25105	SCREW, Sims - No. 6-32 x 1/4" Long (2 Req'd)
44	49455	COVER, Brush Inspection (1 Req'd)
45	49441	SCREW, Taptite - No. 6-32 x 1/4" Long (1 Req'd)
46	42343	BASE, Mounting (1 Req'd)



**Parts List
Exploded View Of**

Repair Parts

Sheet Metal And Accessories

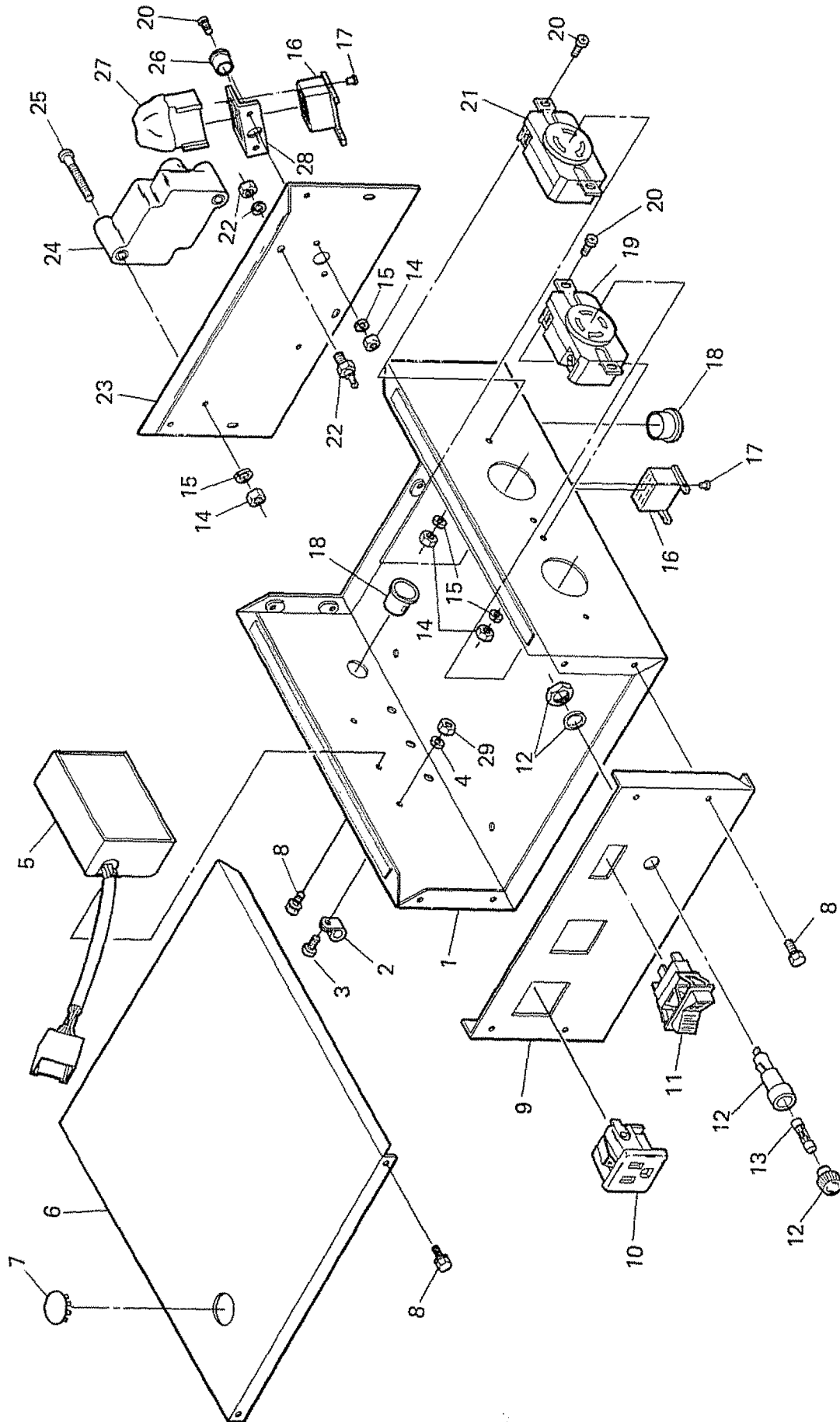
Model No. 580.326010

Item	Part No.	Description
1	49421	COVER, Engine (1 Req'd)
2	49436	GASKET, Intake Manifold (4 Req'd)
3	38045	SCREW, No. 10-32 x .37 Whiz (26 Req'd)
4	49420	MANIFOLD, Exhaust (1 Req'd)
5	49437	GASKET, Exhaust Manifold (2 Req'd)
6	49459	LINER, Exhaust Port (2 Req'd)
7	36781	BOLT, 1/4-20 x .75 Lg. SHCS (4 Req'd)
8	22097	LOCKWASHER, 1/4 (2 Req'd)
9	49457	WRAPPER, Cylinder No. 1 (1 Req'd)
10	49456	WRAPPER, Cylinder No. 2 (1 Req'd)
11	24489	SCREW, No. 10-32 x 3/8 Taptite (2 Req'd)
12	49439	KEY, Woodruff, 3/16 x 1.00 (2 Req'd)
13	47672	CARRIER, Fan Spider (1 Req'd)
14	22128	BOLT, 5/16 x 1.25 Lg. HHCS (3 Req'd)
15	22129	LOCKWASHER, 5/16 (15 Req'd)
16	22142	BOLT, 5/16-18 x .75 Lg. HHCS (6 Req'd)
17	49413	FAN, Centrifugal 12.62 Dia. (1 Req'd)
18	42768	RING, Inertia (1 Req'd)
19	49451	WASHER, Fan Retainer (1 Req'd)
20	22237	LOCKWASHER, 3/8 (3 Req'd)
21	49472	BOLT, 3/8-24 x 1.50 Grade 5 (1 Req'd)
22	49430	COVER, Head No. 1 (1 Req'd)
23	49431	COVER, Head No. 2 (1 Req'd)
24	49435	BAFFLE, Engine Air (1 Req'd)
25	22507	BOLT, 1/4-20 x .50 Lg. HHCS (2 Req'd)
26	49422	HOUSING, Blower (1 Req'd)
27	24492	SOLENOID, Starter Contactor (1 Req'd)
28	25017	BOLT, 3/8 x .50 Lg. HHCS (2 Req'd)
29	49229	"U" BOLT, (1 Req'd)
30	28237	SADDLE, Exhaust Clamp (1 Req'd)
31	48772	SPACER, Exhaust Pipe (1 Req'd)
32	42777	COVER, Blower Housing (1 Req'd)
33	22259	NUT, Hex. 5/16-18 (4 Req'd)
34	24114	NUT, Hex. 5/16-24 (2 Req'd)
35	23762	LOCKWASHER, No. 10 Shakeproof (2 Req'd)
36	22158	NUT, Hex. 10-32 (2 Req'd)
37	49445	SUPPORT, Engine (1 Req'd)
38	22283	BOLT, 5/16-18 x 1.50 HHCS (2 Req'd)
39	24910	SCREW, 5/16-18 x .50 Lg. Taptite (2 Req'd)
40	46948	CLAMP, Exhaust Pipe (1 Req'd)
41	22145	FLATWASHER, 5/16 (2 Req'd)
42	38059	SCREW, Whiz No. 10 x 1/4 (2 Req'd)
43	98-38078	ASSEMBLY, Wire (1 Req'd)
44	42358	STUD, No. 10-32 x 1.00 Lg. (1 Req'd)
45	30468	WASHER, Nylon Step (1 Req'd)
46	42351A	LEVER, Manual Choke (1 Req'd)
47	49053	WASHER, Nylon Flat (1 Req'd)
48	23897	WASHER, No. 10 Flat (1 Req'd)
49	37398	LOCK NUT, No. 10-32 (1 Req'd)
50	24321	WASHER, No. 10 Wave (1 Req'd)
51	42350	ROD, Choke Control (1 Req'd)
52	42451	BRACKET, Muffler Support (1 Req'd)
53	50992	WASHER, Exhaust Flange (4 Req'd)

Repair Parts

Exploded View Of
Control Panel

Model No. 580.326010



Repair Parts

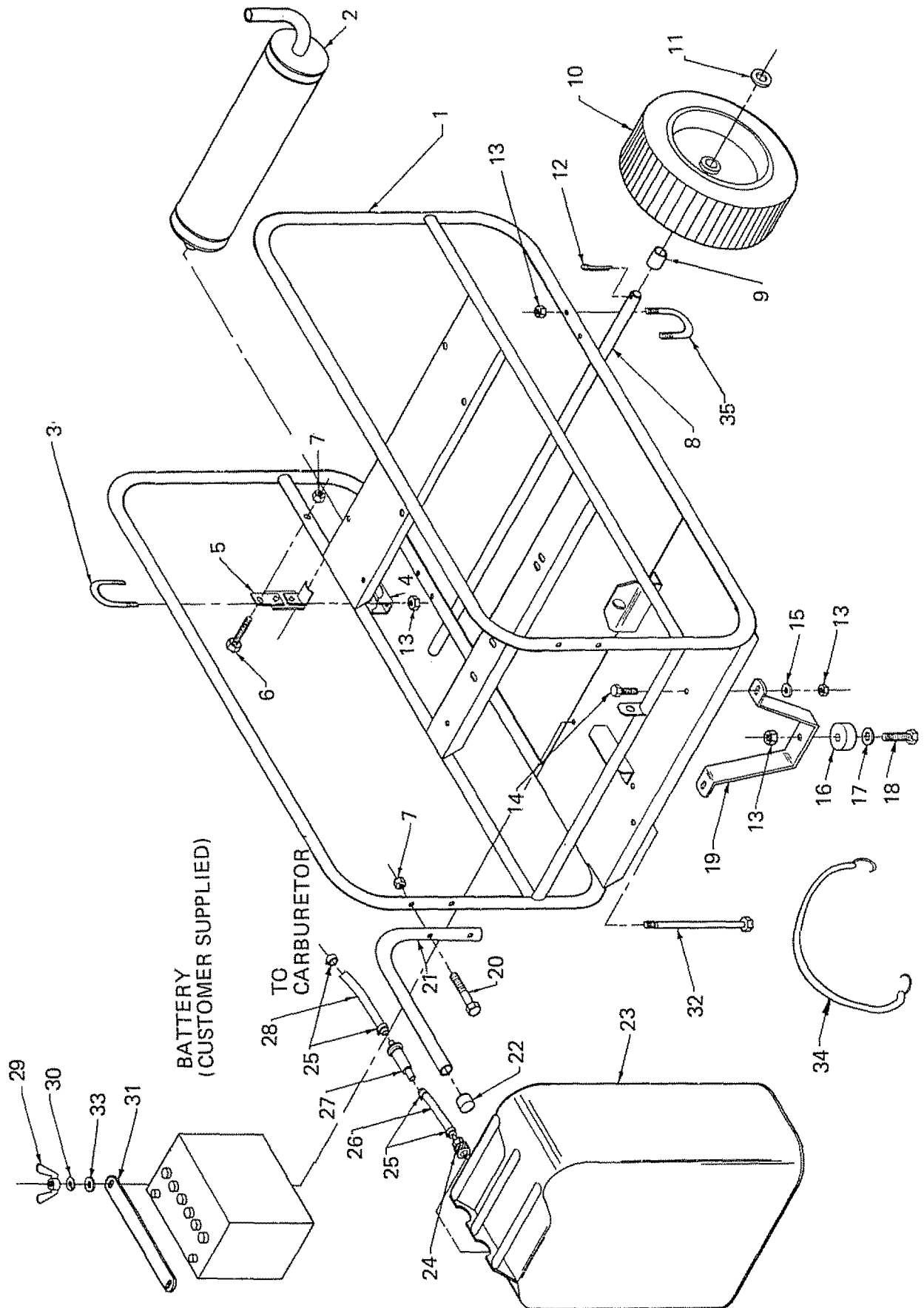
**Parts List
Exploded View Of
Control Panel**

Model No. 580.326010

Item	Part No.	Description
1	42356	BOX, Control Panel (1 Req'd)
2	24409	CLAMP, Cable (1 Req'd)
3	36918	SCREW, PPHM No. 8-32 x 1/2 Long (1 Req'd)
4	22264	LOCKWASHER, No. 8 (1 Req'd)
5	42786	REGULATOR, Voltage (1 Req'd)
6	42440	COVER, Control Panel (1 Req'd)
7	25034	PLUG, Button - 1.06 Dia. (1 Req'd)
8	38045	SCREW, Whiz No. 10-32 x 3/8 Long (11 Req'd)
9	42353	SILKSCREEN, Panel (1 Req'd)
10	22693	OUTLET, 120 Parrallel Blade (2 Req'd)
11	33868	SWITCH, DPST (1 Req'd)
12	32300	HOLDER, Fuse (1 Req'd)
13	22676	FUSE, 15A (1 Req'd)
14	22158	NUT, Hex. No. 10-32 (8 Req'd)
15	22152	LOCKWASHER, No. 10 (8 Req'd)
16	22694	RECEPTACLE (2 Req'd)
17	25388	RIVET, (4 Req'd)
18	23484D	BUSHING, Snap (2 Req'd)
19	43482	OUTLET, Twistlock 240V. 20A. (1 Req'd)
20	36933	SCREW, PPHM No. 10-32 x 3/8 (6 Req'd)
21	37807	OUTLET, Twistlok 120V. 30A. (1 Req'd)
22	48731	DIODE, Stud Mount (1 Req'd)
23	49426	PANEL, Heat Sink (1 Req'd)
24	49474	COIL, Ignition (1 Req'd)
25	36942	SCREW, PPHM No. 10-32 x 13/4 Long (2 Req'd)
26	23484-C	BUSHING, Snap (1 Req'd)
27	49208	MODULE, Ignition (1 Req'd)
28	40716	SUPPORT, Ignition Module (1 Req'd)
29	22471	NUT, Hex. No. 8-32 (1 Req'd)
+ +	47496	DECAL, Warranty (1 Req'd)
+ +	37806	PLUG, 120 Volt, 3-Prong, 30 Amp (1 Req'd)
+ +	43483	PLUG, 240 Volt, 4-Prong, 20 Amp (1 Req'd)
+ +	42338	MANUAL, Owner's (1 Req'd)

+ + Not Shown

Exploded View Of Wheel Kit And Accessories



	Parts List	
Repair Parts	Wheel Kit And Accessories	Model No. 580.326010

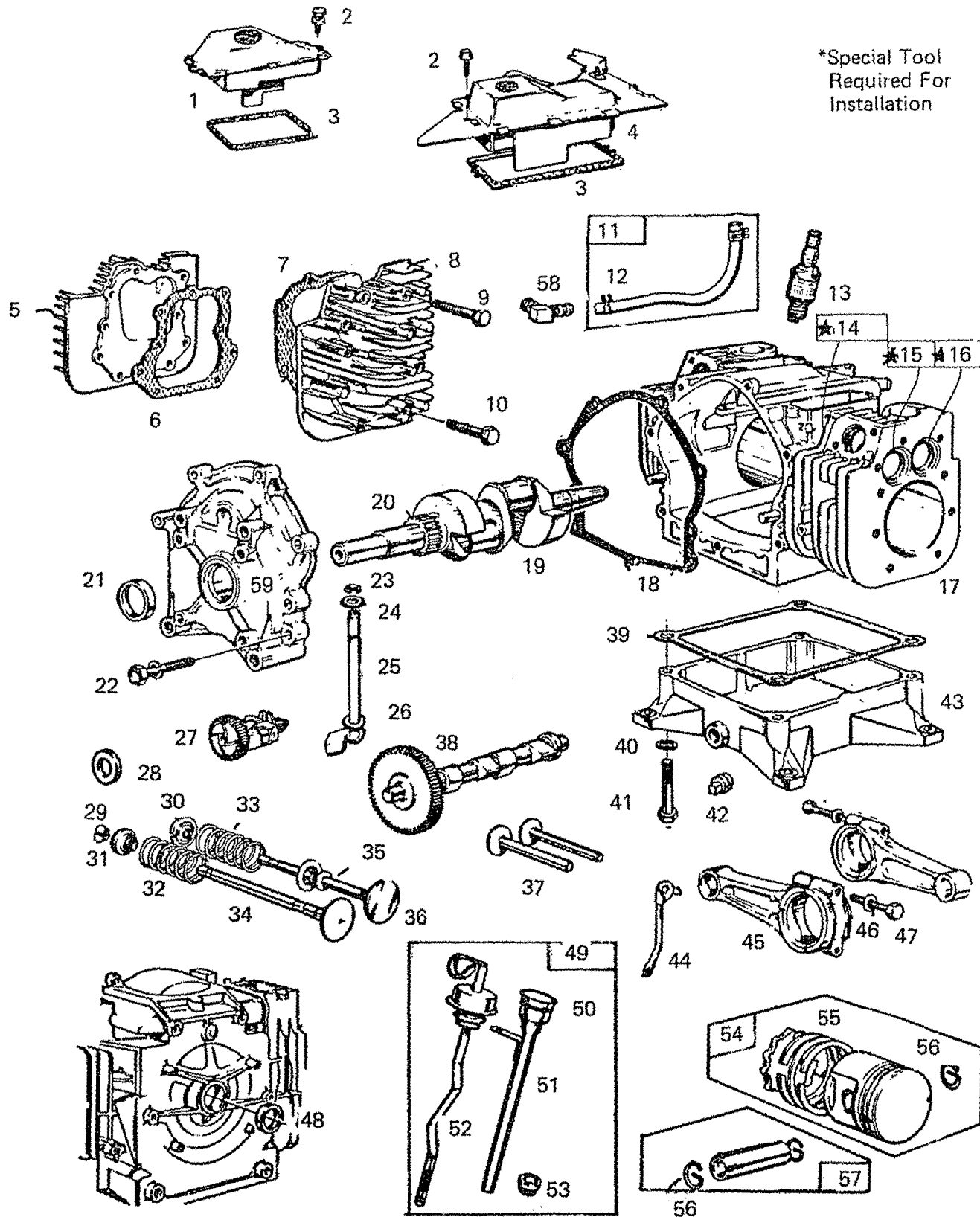
Item	Part No.	Description
1	42343	CRADLE, (1 Req'd)
2	42344	MUFFLER,(1 Req'd)
3	28238	U-BOLT, (1 Req'd)
4	28237	SADDLE, (1 Req'd)
5	42346	BRACKET, Muffler (1 Req'd)
6	22746	CAPSCREW, 3/8-16 x 1.75 Lg. Hex. Head (1 Req'd)
7	26911	NUT, 3/8-16 Lock (5 Req'd)
8	47459-B	SHAFT, (1 Req'd)
9	45193	SPACER, Axle (2 Req'd)
10	28124	WHEEL, (2 Req'd)
11	45900	WASHER, 3/4 Flat (2 Req'd)
12	22268	PIN, 3/32 Cotter (2 Req'd)
13	27028	NUT, 5/16-18 Lock (9 Req'd)
14	22142	CAPSCREW, 5/16-18 x .75 Hex. Head (2 Req'd)
15	22145	WASHER, 5/16 Flat (2 Req'd)
16	27007	DAMPNER, Vibration (1 Req'd)
17	22250	WASHER, 7/16 Flat (1 Req'd)
18	22128	CAPSCREW, 5/16-18 x 1.25 Lg. Hex. Head (1 Req'd)
19	47466	LEG, Mounting Support (1 Req'd)
20	22458	CAPSCREW, 3/8-16 x 2.75 Lg. Hex. Head (4 Req'd)
21	42361	HANDLE, Cradle (2 Req'd)
22	29268	CAP, Handle (2 Req'd)
23	50543*	ASSEMBLY, Fuel Tank (1 Req'd) (Complete w/Fittings)
24	30288	CONNECTOR, Female Straight (1 Req'd)
25	48031-C	CLAMP, 1/4 Hose (4 Req'd)
26	47662-T	LINE, Fuel (1 Req'd)
27	47294	FILTER, Fuel (1 Req'd)
28	47662-H	LINE, Fuel (1 Req'd)
29	25870	NUT, 1/4-20 Wing (2 Req'd)
30	22097	WASHER, 1/4 Lock (2 Req'd)
31	44951	BRACKET, Battery Retaining (1 Req'd)
32	45000	SCREW, 1/4-20 x 7.00 Lg. Hex. Head (2 Req'd)
33	22473	WASHER, 1/4 Flat (2 Req'd)
34	43943	STRAP, Fuel Tank Retaining (1 Req'd)
35	46966	U-BOLT, (2 Req'd)

*See Exploded View of Fuel Tank, page 25.

Repair Parts

Exploded View Of
Engine Parts

Model No. 580.326010



Repair Parts

Parts List
Engine Parts

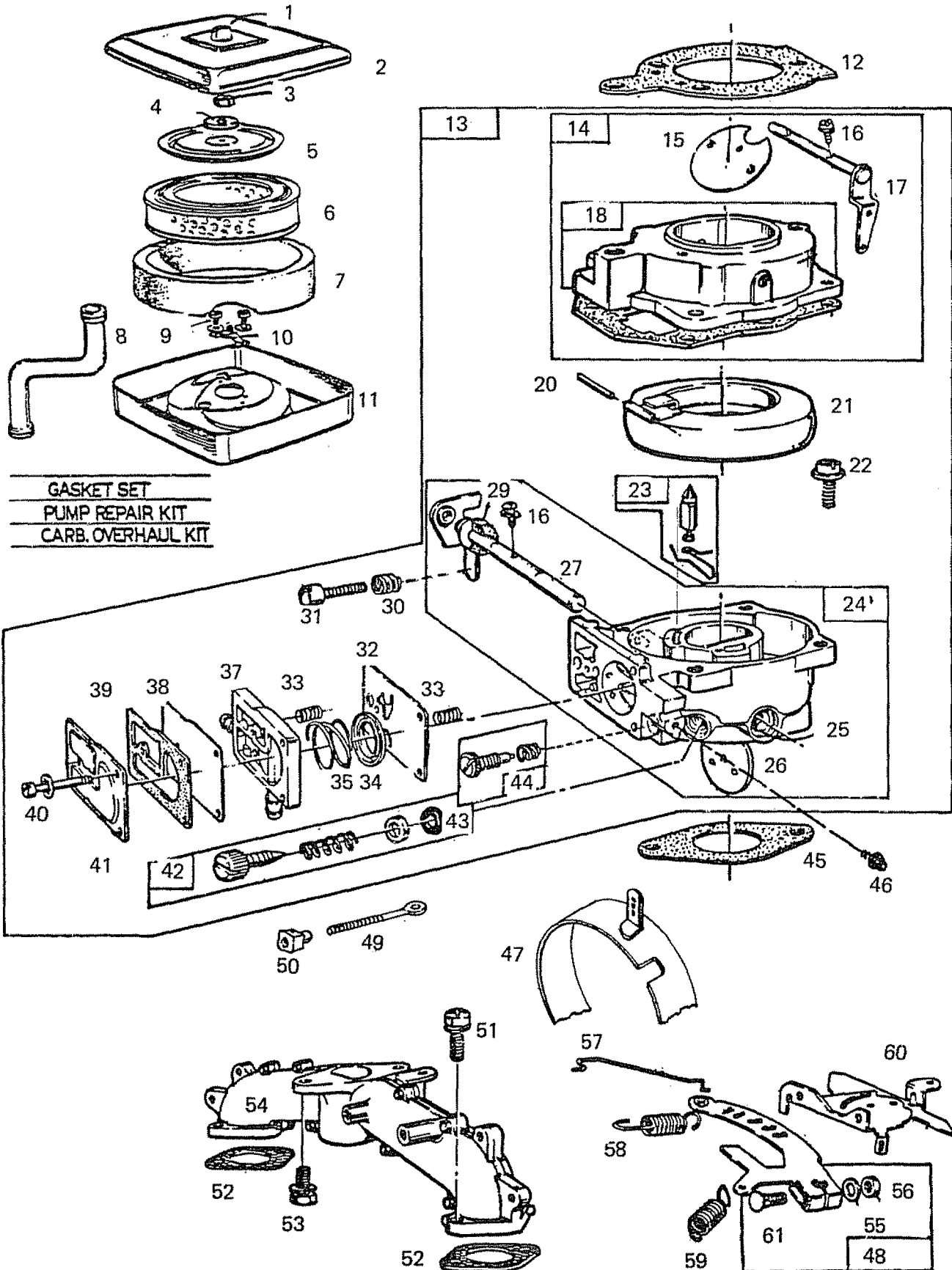
Model No. 580.326010

Item	Part No.	Description		
1	42643	BREATHER ASSEMBLY, (Breather No. 2) (1 Req'd)	34	VALVE, Exhaust (2 Req'd)
2	42688	SCREW, Breather Cover (4 Req'd)	35	SEAL and RETAINER ASSEMBLY (2 Req'd)
3	42645	GASKET, Valve Cover (2 Req'd)	36	VALVE, Intake (2 Req'd)
4	42644	BREATHER ASSEMBLY, (Breather No. 1) (1 Req'd)	37	TAPPET, Valve (4 Req'd)
5	42799	HEAD, Cylinder (No. 1) (1 Req'd)	38	GEAR, Camshaft (1 Req'd)
6	42798	GASKET, Cylinder Head (No. 1) (1 Req'd)	39	GASKET, Engine Base (1 Req'd)
7	42797	GASKET, Cylinder Head (No. 2) (1 Req'd)	40	WASHER, Lock - 3/8" (4 Req'd)
8	42796	HEAD, Cylinder (No. 2) (1 Req'd)	41	BOLT, Hex. Head (4 Req'd)
9	42641	BOLT, Cylinder head (2.31" Long) (6 Req'd)	42	PLUG, Pipe (Magnetic) (1 Req'd)
10	42640	BOLT, Cylinder Head (1.94" Long) (12 Req'd)	43	BASE, Engine Sump (1 Req'd)
11	42654	HOSE, Crankcase Vacuum (1 Req'd)	44	DIPPER, Connecting Rod (2 Req'd)
12	48031-C	CLAMP, Vacuum Hose (2 Req'd)	45	ROD, Connecting (2 Req'd)
13	42642	SPARK PLUG, Resistor Type (2") (2 Req'd)	46	WASHER, Connecting Rod (4 Req'd)
14	49271	GUIDE, Exhaust Valve (2 Req'd)	47	BOLT, Connecting Rod (4 Req'd)
15	49270	SEAT, Exhaust Valve (2 Req'd)	48	SEAL, Oil (1 Req'd)
16	49269	SEAT, Intake Valve (2 Req'd)	49	DIPSTICK and TUBE ASSEMBLY (Oil) (1 Req'd)
17	42795	CYLINDER ASSEMBLY (1 Req'd)	50	SEAL, Oil Fill Cap (1 Req'd)
18	42646	GASKET, Crankcase Cover (0.015 TH) (1 Req'd)	51	TUBE, Oil Filler (1 Req'd)
	42647	GASKET, Crankcase Cover (0.005 TH) (1 Req'd)	52	DIPSTICK, Oil Fill (1 Req'd)
	42648	GASKET, Crankcase Cover (0.009 TH) (1 Req'd)	53	SEAL, Oil Filler Tube (1 Req'd)
19	47659	CRANKSHAFT (1 Req'd)	54	PISTON, (Standard Size) (2 Req'd)
20	42649	GEAR, Timing (1 Req'd)	42670-A	PISTON (0.010 Oversize) (2 Req'd)
21	42651	SEAL, Oil (1 Req'd)	42670-B	PISTON (0.020 Oversize) (2 Req'd)
22	42652	BOLT, Crankcase Cover (7 Req'd)	42670-C	PISTON (0.030 Oversize) (2 Req'd)
23	42659	RETAINER, ("E" -Ring) (1 Req'd)	42671	RING SET, Piston (Standard Size) (2 Req'd)
24	42658	WASHER, Governor Crank (Outside) (1 Req'd)	42671-A	RING SET, Piston (0.010 Oversize) (2 Req'd)
25	42656	CRANK, Governor (1 Req'd)	42671-B	RING SET, Piston (0.020 Oversize) (2 Req'd)
26	42657	WASHER, Governor Crank (Inside) (1 Req'd)	42671-C	RING SET, Piston (0.030 Oversize) (2 Req'd)
27	42660	GEAR, Governor Flywheel (1 Req'd)	42672	LOCK, Piston Pin (4 Req'd)
28	42661	WASHER, Thrust (1 Req'd)	42673	PIN, Piston (Standard Size) (2 Req'd)
29	42682	RETAINER, Exhaust Valve (2 Req'd)	42673-A	PIN, Piston (0.005 Oversize) (2 Req'd)
30	42680	RETAINER, Intake Valve (2 Req'd)	42653	ELBOW, Connector (1 Req'd)
31	42681	ROTATOR, Exhaust Valve (Rotocoil) (2 Req'd)	42650	COVER, Crankcase
32	42679	SPRING, Exhaust Valve (2 Req'd)		
33	42678	SPRING, Intake Valve (2 Req'd)		

Repair Parts

Exploded View Of
Engine Parts

Model No. 580.326010



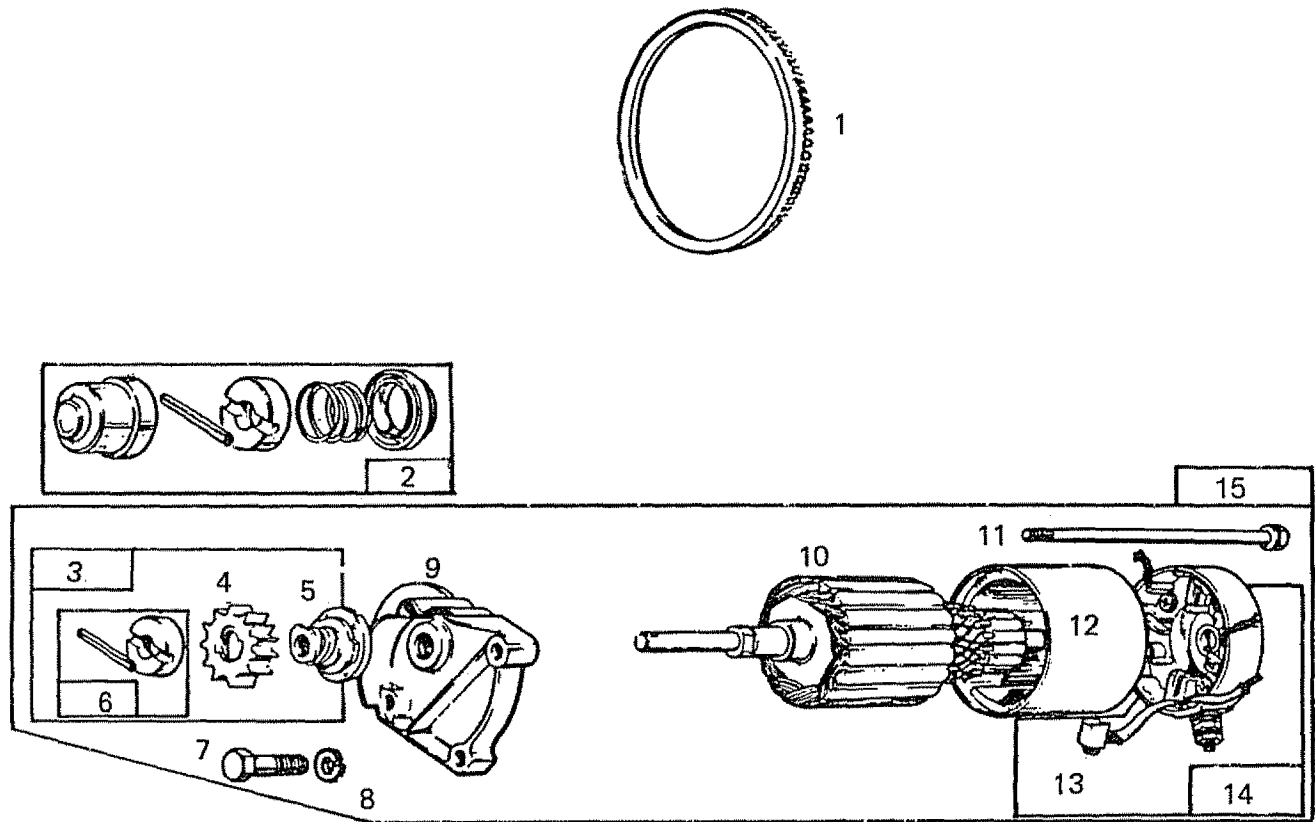
Repair Parts

Parts List
Engine Parts

Model No. 580.326010

Item	Part No.	Description			
1	42888	Knob, Retaining (Air Cleaner Cover) (1 Req'd)	32	49259	DIAPHRAGM (1 Req'd)
2	42887	Cover, Air Cleaner (1 Req'd)	33	49267	Spring (2 Req'd)
3	42886	Nut, Hex (Air Cleaner) (1 Req'd)	34	49260	Cap, Spring (1 Req'd)
4	42885	Washer, (Air Cleaner) (1 Req'd)	35	49258	Spring, Pump (1 Req'd)
5	42884	Plate, (Air Cleaner) (1 Req'd)	37	49257	Body, Pump (1 Req'd)
6	42759	Element, Air Cleaner (Flame Retardant) (1 Req'd)	38	49265	Diaphragm, Damping (1 Req'd)
7	42883	Element, Foam Pre-Cleaner (1 Req'd)	39	49266	Gasket, Carburetor Pump (1 Req'd)
8	42889	Tube, Breather (2 Req'd)	40	49262	Screw, Diaphragm (1 Req'd)
9	42881	Screw, Air Cleaner (2 Req'd)	41	49261	Cover, Diaphragm (1 Req'd)
10	42880	Strap, Mounting (Air Cleaner) (1 Req'd)	42	49264	Valve, Needle (1 Req'd)
+	42986	Clevis, Throttle Lever (1 Req'd)	43	49255	Packing, Needle Valve (1 Req'd)
+	42792	Bracket, Idle Stop (1 Req'd)	44	42998	Valve, Idle Adjustment (1 Req'd)
11	42879	Body, Air Cleaner (1 Req'd)	45	42890	Gasket, Carburetor Mounting (1 Req'd)
12	42882	Gasket, Air Cleaner (1 Req'd)	46	38045	Screw, Choke Mount (1 Req'd)
13	42994	Carburetor Assembly (1 Req'd)	47	50378	Bracket, Speed Control & Fan Guard (1 Req'd)
14	42995	Body Assembly, (Upper) (1 Req'd)	48	42697	Screw, Speed Control Bracket (2 Req'd)
15	49253	Valve, Choke (1 Req'd)	49	42983	Rod, Speed Control (1 Req'd)
16	42999	Screw, (Throttle and Choke Plate) (4 Req'd)	50	42898	Nut, Control Rod (1 Req'd)
17	49254	Shaft and Lever, Choke (1 Req'd)	51	42893	Bolt, Intake Manifold (4 Req'd)
18	42996	Body Assembly (Upper Carburetor) (1 Req'd)	52	42892	Gasket, Intake Manifold (2 Req'd)
19	49248	Gasket, Carburetor Body (1 Req'd)	53	42894	Bolt, Carburetor Mounting (2 Req'd)
20	49250	Hinge Pin, Float (1 Req'd)	54	42891	Manifold, Intake (1 Req'd)
21	49249	Float, Carburetor (1 Req'd)	55	42895	Bracket, Speed Control (1 Req'd)
22	49256	Screw, Carburetor Body (4 Req'd)	56	42896	Screw, Speed Control Bracket (2 Req'd)
23	49251	Valve, Fuel Inlet (1 Req'd)	57	42990	Link, Governor Rod (1 Req'd)
24	49252	Body (Lower Carburetor) (1 Req'd)	58	42984	Spring, Governor Control (1 Req'd)
25	42997	Bushing, Throttle Shaft (2 Req'd)	59	42985	Spring, Governed Idle (1 Req'd)
26	49244	Valve, Throttle (1 Req'd)	60	42988	Plate, Governor (1 Req'd)
27	49245	Shaft and Lever, Throttle (1 Req'd)	61	42989	Bolt, Governor Lever (1 Req'd)
29	49263	Washer (1 Req'd)	62	22127	Nut, Hex - 1/4" (1 Req'd)
30	49247	Spring, Idle Adjustment (1 Req'd)	63	22097	Washer, Lock - 1/4 (1 Req'd)
31	49246	Screw, Idle Adjustment (1 Req'd)	64	42987	Lever, Governor (1 Req'd)

Exploded View Of
Starter



Item	Part No.	Description
1	49462	GEAR, Ring (Includes fasteners (1 req'd)
2	42878	KIT, Pinion Spring (1 Req'd)
3	42692	DRIVE, Starter (1 Req'd)
4	42696	GEAR, Starter (1 Req'd)
5	42693	CLUTCH, Starter (1 Req'd)
6	42695	RETAINER and PIN (1 Req'd)
7	42782	BOLT, 5/16-18 x 1 3/4" Long (Grade 5) (2 Req'd)
8	22129	WASHER, Lock - 5/16" (2 Req'd)
9	42870	CAP, Starter Drive End (1 Req'd)
10	42694	ARMATURE, Starter (1 Req'd)
11	42690	THRU-BOLT, Starter (2 Req'd)
12	42699	HOUSING, Starter (1 Req'd)
13	42691	BRUSH SET, Starter (1 Req'd)
14	42698	END CAP, Commutator (1 Req'd)
15	50940	STARTER ASSEMBLY

Sears

**owners
manual**

MODEL NO.
580.326010

SERVICE

**HOW TO
ORDER
REPAIR PARTS**

4500 WATT

HEAVY DUTY

ALTERNATOR

Now that you have purchased your Alternator, should a need ever exist for repair parts or service, simply contact any Sears Service Center and most Sears, Roebuck and Co. stores. Be sure to provide all pertinent facts when you call or visit.

The model number of your Alternator will be listed on the Alternator data plate.

**WHEN ORDERING REPAIR PARTS, ALWAYS
GIVE THE FOLLOWING INFORMATION:**

- PART NUMBER
- PART DESCRIPTION
- MODEL NUMBER
- NAME OF ITEM

All parts listed may be ordered from any Sears Service Center and most Sears stores.

If the parts you need are not stocked locally, your order will be electronically transmitted to a Sears Repair Distribution Center for handling.



Free Manuals Download Website

<http://myh66.com>

<http://usermanuals.us>

<http://www.somanuals.com>

<http://www.4manuals.cc>

<http://www.manual-lib.com>

<http://www.404manual.com>

<http://www.luxmanual.com>

<http://aubethermostatmanual.com>

Golf course search by state

<http://golfingnear.com>

Email search by domain

<http://emailbydomain.com>

Auto manuals search

<http://auto.somanuals.com>

TV manuals search

<http://tv.somanuals.com>