

SEARS

OWNERS MANUAL

MODEL NO.
919.150270



IMPORTANT
Read the Safety Guidelines
and All Instructions
Carefully Before Operating



CRAFTSMAN COMPACT AIR COMPRESSOR

Record in the spaces provided.

- (1) The model number which can be found on the label on the back of the unit.
- (2) The date code number which can be found on the foil label on the bottom of the unit.

Retain these numbers for future reference.

Model No. _____

Code No. _____

ASSEMBLY
OPERATION
MAINTENANCE
REPAIR PARTS

Sears, Roebuck and Co., Chicago, IL 60684 U.S.A.

TABLE OF CONTENTS

	Page
WARRANTY	3
SAFETY GUIDELINES AND CHART	3
WARNING CHART	4
SPECIFICATION CHART	5
GLOSSARY	5
GENERAL INFORMATION	5
DESCRIPTION OF OPERATION	5
UNPACKING INSTRUCTIONS	6
ASSEMBLY INSTRUCTIONS	6
Tools Needed for Assembly	6
Installing Rubber Feet	6
INSTALLATION AND START-UP PROCEDURES	6
Location of Air Compressor	6
Extension Cords	6
Grounding Instructions	6
OPERATING PROCEDURES	7
MAINTENANCE	7
Air Intake Filter – Replacement	7
Motor	7
Wiring Diagram	8
STORAGE	8
GUIDE TO ACCESSORIES	8
TROUBLESHOOTING GUIDE	9
AIR COMPRESSOR DIAGRAM	10
Parts List	10
COMPRESSOR PUMP DIAGRAM	11
Parts List	11
HOW TO ORDER REPAIR PARTS	12

FULL ONE YEAR WARRANTY ON AIR COMPRESSORS

If this air compressor fails due to a defect in material or workmanship within one year from the date of purchase, return it to the nearest Sears Service Center/Department throughout the United States and Sears will repair it, free of charge.

If this air compressor is used for commercial or rental purposes, the warranty will apply for ninety days from the date of purchase.

This warranty gives you specific legal rights and you may have other rights which vary from state to state.

Sears, Roebuck and Co., Sears Tower, Dept. 698/731 CR-W, Chicago, IL 60684

SAFETY GUIDELINES

This manual contains information that is important for you to know and understand.

This information relates to **YOUR SAFETY** and **PREVENTING EQUIPMENT PROBLEMS**.

To help you recognize this information, we use the following symbols. Please read the manual and pay attention to those sections.

▲ DANGER

URGENT SAFETY INFORMATION – A HAZARD THAT *WILL* CAUSE SERIOUS INJURY OR LOSS OF LIFE.

WARNING

IMPORTANT SAFETY INFORMATION – A HAZARD THAT *MIGHT* CAUSE SERIOUS INJURY OR LOSS OF LIFE.

CAUTION

Information for preventing damage to equipment.

NOTE

Information that you should pay special attention to.

WARNING**HAZARDS CAN OCCUR IF EQUIPMENT IS NOT USED PROPERLY.
READ THE FOLLOWING CHART**

WHAT TO LOOK FOR	WHAT COULD HAPPEN	HOW TO PREVENT IT
Hot Parts	The top of the compressor gets hot when the compressor is running. If you touch it, you may be seriously burned.	Never touch the top of the air compressor during or immediately after operation. Always use the handle.
Flammable Vapors	It is normal for the motor's electrical contacts to spark when the compressor starts or stops. A spark can ignite flammable vapors from gasoline or solvents, causing an explosion or fire.	The air compressor must only be used in well ventilated areas, free of gasoline or solvent vapors. Do not operate the compressor while you are carrying it, or in the spray area.
Compressed Air	Compressed air can propel dust, dirt or loose particles it comes in contact with. Too much air pressure applied to air tools or accessories can cause damage or risk of bursting.	Never point any nozzle or sprayer toward a person or any part of the body. Always wear safety goggles or glasses when using the air compressor. Always turn the air compressor off before attaching or removing accessories. Check the manufacturer's maximum pressure rating for air tools and accessories. Regulator outlet pressure must never exceed the maximum pressure rating.
Toxic Vapors	It is normal for compressed air to contain toxic or irritating vapors. Such vapors are harmful if inhaled. Certain materials you are spraying (like paint, weed killer, sand or insecticide) can be harmful if you inhale them.	Never directly inhale the compressed air produced by this unit. Read and follow the safety instructions provided on the label or safety data sheet for the material you are spraying. Use a respirator mask if there is a chance of inhaling anything you are spraying. Read all instructions... be sure that the respirator mask is suitable for your application.
Electricity	Your air compressor is powered by electricity. Like any other electrically powered device, if it is not used properly it can cause electrical shock.	Always unplug the air compressor prior to maintenance or repair. Never use the air compressor in the rain. Always plug the cord into an electrical outlet with the specified voltage and adequate fuse protection.
Unsuitable Solvents	The solvents 1,1,1-Trichloroethane and Methylene Chloride can chemically react with aluminum used in paint spray guns, paint pumps, etc., and cause an explosion. These solvents can also react with galvanized components and cause corrosion and weakening of parts. This will not affect your air compressor, but it may affect the equipment you use.	Read the label or data sheet supplied with the material you intend to spray. If it contains the solvents listed do not use accessories that contain aluminum or galvanized parts. You must either change the material you intend to spray, or use only stainless steel spray equipment.

SPECIFICATION CHART

Model No.	919.150270
Horsepower	$\frac{3}{4}$
SCFM @ 40 psig	2.7
SCFM @ 90 psig	2.0
Displacement CFM	4.0
Bore	$2\frac{3}{8}$ "
Stroke	.9"
Voltage-Single Phase	110-120
Minimum Branch Circuit Requirement	15 AMPS
*Fuse Type	Time Delay
Amperage at Max. Pressure	10.6

*A circuit breaker is preferred. Use only a fuse or circuit breaker that is the same rating as the branch circuit the air compressor is operated on. If the air compressor is connected to a circuit protected by fuses, use time delay fuses.

GLOSSARY

SCFM or CFM: Standard Cubic Feet per Minute; a unit of measurement of air delivery.

PSIG or PSI: Pounds per square inch gauge.

U.L. Listed: Underwriter laboratories; samples of compressor outfits, taken from production, were submitted to U.L. and found to comply with their requirements for design and performance.

GENERAL INFORMATION

Congratulations! You have purchased a one cylinder, $\frac{3}{4}$ HP compact oilless compressor. The absence of a tank gives you added mobility as well as ease in storage, while the $\frac{3}{4}$ HP motor allows you to utilize many air tools, including inflators, blow guns, spray guns, air brushes, caulking guns and etchers. Oilless design means you never have to add oil and its oilless feature also guarantees that you will spray entirely oil-free air.

A $\frac{1}{4}$ " \times 15' air hose is supplied with your compressor, as well as an air chuck. Accessories for use with your new compressor are available through the current Sears sales catalog, or at full line Sears stores. Your compressor will operate many accessories. Check the pressure and flow rating recommended by the accessory manufacturer — be sure it is compatible with the air delivery of your compressor.

DESCRIPTION OF OPERATION

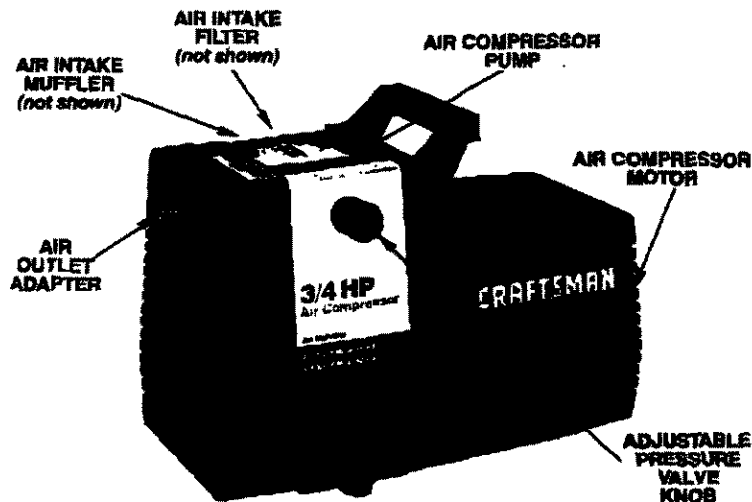


Figure 1

Air Compressor Pump: To compress air, the piston moves up and down in the cylinder. On the downstroke, air is drawn in through the air intake muffler. The exhaust valve remains closed. On the upstroke of the piston, air is compressed. The intake valves close and compressed air is forced out through the exhaust valve and then through the air hose.

Adjustable Pressure Valve Knob: The pressure valve knob controls the amount of pressure going from the air compressor to the accessory. Pressure can be set at any point between 10 and 100 P.S.I. (100 P.S.I. is the highest pressure this compressor will deliver.) Always set the pressure valve knob at or below the required pressure for the accessory being used. **THE ADJUSTABLE PRESSURE VALVE KNOB MUST BE SET AT "START" BEFORE YOU START THE COMPRESSOR.**

Tools Needed for Unpacking

A 1/2" socket wrench.

Grasp the handle and lift the air compressor out of the carton. Remove the styrofoam and plastic brace.

Note the plastic brace attached to the air compressor by a hex screw. Using a 1/2" socket wrench, remove the hex screw. Discard both the screw and the plastic brace.

ASSEMBLY INSTRUCTIONS

Tools Needed for Assembly

A phillips screwdriver.

Installing rubber feet.

Enclosed with this compressor you will find three screws, three rubber feet, three eyelets and two flat washers. You will attach these to the bottom of the unit. Refer to the air compressor diagram on page 10.

1. Turn your compressor on its side.
2. Insert eyelet into rubber foot.
3. Center hole in rubber foot over flat washer and hole in bottom of unit. Insert screw and tighten. Note: Longer screws and flat washers are to be used under front two feet only. Shorter screw is to be used on back foot only. Continue this process until all three feet are on unit.

INSTALLATION AND START-UP PROCEDURES

Location of the Air Compressor

Operate the air compressor in a dry, clean, cool and well ventilated area. The air intake muffler must be kept clear of obstructions which could reduce air delivery of the air compressor. The air compressor pump and case are designed to allow for proper cooling. Clean or blow off dust or dirt that collects on air compressor. A clean air compressor runs cooler and provides longer service. The ventilation openings on your air compressor are necessary to maintain proper operating temperature. Do not place rags or other containers on or near these openings.

Extension Cords

Use extra air hose instead of an extension cord to avoid voltage drop and power loss to the motor.

If you *must* use an extension cord be sure it is:

- a 3-wire extension cord that has a 3-blade grounding plug, and a 3-slot receptacle that will accept the plug on the compressor.
- in good condition.
- 50 feet or shorter.
- 12 gauge (AWG) or larger. (Wire size increases as gauge number decreases.) 10 AWG and 8 AWG, may also be used. Do not use 14 or 16 AWG.

1. The air compressor is designed for 120 volt operation only and is equipped with a cord having a grounding wire with an appropriate grounding plug. The plug must be used with an outlet that has been installed and grounded in accordance with all local codes and ordinances (see figure 2). The outlet must have the same configuration as the plug. **DO NOT USE AN ADAPTER.**
2. Do not modify the plug that has been provided. If it does not fit the available outlet, the correct outlet should be installed by a qualified electrician.
3. Before each use, inspect the plug and cord. Do not use if there are signs of damage.

Grounding Instructions

WARNING

IMPROPER GROUNDING CAN RESULT IN A RISK OF ELECTRICAL SHOCK. IN THE EVENT OF A SHORT CIRCUIT, GROUNDING REDUCES THE RISK OF SHOCK BY PROVIDING AN ESCAPE WIRE FOR THE ELECTRIC CURRENT. THIS AIR COMPRESSOR MUST BE PROPERLY GROUNDING. READ THE FOLLOWING.

▲ DANGER

RISK OF ELECTRICAL SHOCK. IF REPAIRING OR REPLACING CORD OR PLUG, THE GROUNDING WIRE MUST BE KEPT SEPARATE FROM THE CURRENT CARRYING WIRES. NEVER CONNECT THE GROUNDING WIRE TO A FLAT BLADE PLUG TERMINAL. (THE GROUNDING WIRE HAS EITHER GREEN INSULATION OR GREEN INSULATION WITH A YELLOW STRIPE).

If these grounding instructions are not completely understood, or if in doubt as to whether the compressor is properly grounded, have the installation checked by a qualified electrician.

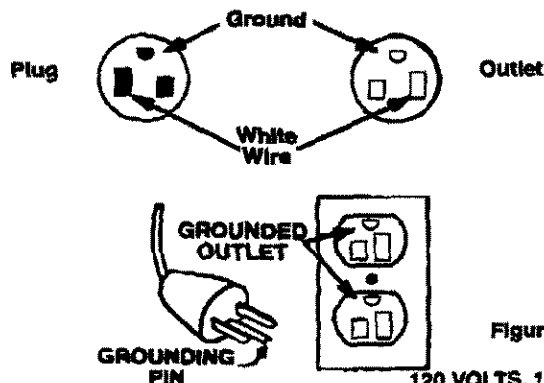


Figure 2

120 VOLTS, 15 AMPS

OPERATING PROCEDURES

1. Before plugging in the air compressor, set the adjustable pressure valve to "Start". Make sure the "ON-OFF" switch is in the "OFF" position.
2. Connect the air hose to the air outlet adapter. Tighten securely.
3. Connect the air tool or accessory to the air hose. Tighten securely.
4. Plug the power cord into the grounded outlet.
5. Start the compressor by setting the "ON-OFF" switch to the "ON" position.
7. Slowly increase the pressure setting of the adjustable pressure valve. You should be able to hear and feel air pressure being relieved by the adjustable pressure valve. If pressure is not being relieved, turn the compressor off immediately. The pressure valve must be replaced.

CAUTION

Compressed air from the outfit may contain water condensation and oil mist. Do not spray unfiltered air at an item that could be damaged. Some air operated tools or devices may require filtered air. Read the instructions for the air tool or device.

WARNING

TOO MUCH AIR PRESSURE COULD CAUSE AN AIR TOOL OR VEHICLE TIRE TO RUPTURE OR EXPLODE. CAREFULLY FOLLOW STEPS 6 AND 7 EACH TIME YOU USE YOUR COMPRESSOR.

6. Check the manufacturer's maximum pressure rating for the air tool, accessory or vehicle tire being used. The air compressor outlet pressure must never exceed the maximum pressure rating.

NOTE

If the air compressor has been briefly turned off, the adjustable pressure valve must be reset to the "Start" position. The air compressor will not start with backpressure applied to the piston.

MAINTENANCE

WARNING

DURING MAINTENANCE, YOU COULD BE EXPOSED TO VOLTAGE SOURCES, COMPRESSED AIR OR MOVING PARTS. PERSONAL INJURIES CAN OCCUR. UNPLUG THE COMPRESSOR AND BLEED OFF ALL AIR PRESSURE BY TURNING THE ADJUSTABLE PRESSURE VALVE TO THE START POSITION BEFORE DOING ANY MAINTENANCE OR REPAIR.

Air Intake Filter – Replacement

NOTE

Keep air intake filter clean at all times. Do not operate the compressor with the filter removed.

A dirty air intake filter will not allow the compressor to operate at full capacity. When the filter becomes dirty, it must be cleaned or replaced. To replace the filter, simply pull it out and replace with a new one. If it is dirty, simply pull it out – you may wash it with a mild detergent and warm water.

Motor

The motor has an automatic reset thermal overload protector. If the motor overheats for any reason, the overload protector will shut off the motor. The motor must be allowed to cool. The motor will automatically re-start after the motor has cooled.

NOTE

If the overload protector shuts the motor off frequently, check for a possible voltage problem. Low voltage can also be suspected when:

1. the motor does not get up to full power or speed;
2. fuses blow out when starting the motor;
3. lights dim and remain dim when motor is started and running.

Motor Replacement - Wiring Diagram

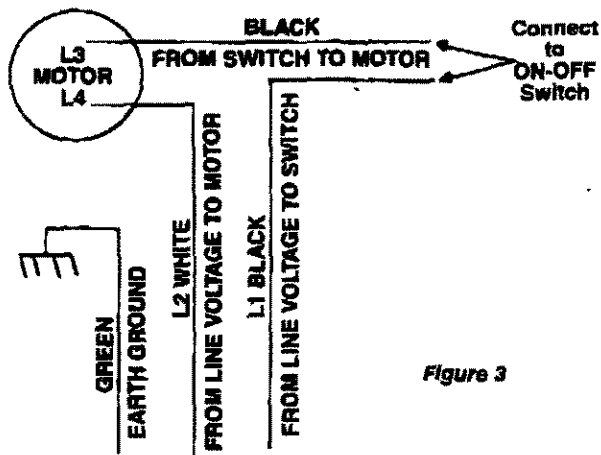


Figure 3

STORAGE

When you have finished using the air compressor:

1. Set the "ON-OFF" switch to "OFF" and unplug the cord.
2. Relieve all pressure from the air compressor head and air hose by turning the adjustable pressure valve to the "Start" position.
3. Protect the electrical cord and air hose from damage by winding them loosely around the air compressor.
4. Store the air compressor in a clean and dry location.

ACCESSORIES

Your new compressor can operate many air operated tools and accessories. Below are some examples of equipment available and a brief description of what can be done with your compact compressor and this equipment.

INFLATION EQUIPMENT

Using an air chuck, you can inflate tires by setting the adjustable pressure valve at the pressure marked on the tire. By using an adapter available in an inflator kit, you can inflate air mattresses, rafts, toys, bicycle tires, pools, balls and much more.

SPRAY GUNS

There are several types of spray guns available for use with your compact compressor. You can paint toys, lawn furniture, fences and do a variety of other small painting jobs. Where you might have used a spray can of paint before, a spray gun will give you more control, less mess, less waste and a better finish.

BLOW GUN

Another handy item is the blow gun. It can be used to blow dust and dirt from many types of equipment. For example, your air conditioner, vents on your car, refrigerator, your furnace and filters, work benches, table saws, and clogged fuel lines. (All electrical equipment must be unplugged before cleaning.)

AIR BRUSHES

There are also several air brushes available for use with your compressor. With these you can pinstripe, outline, do stenciling, detailing on t-shirts, decoys, ceramics, print banners and signs and many other types of detailed painting. Artists and hobbyists can find many uses for air brushes.

CAULKING GUN

There is a handy tool for many common household jobs. The caulking gun is excellent for caulking and glazing around windows, bath tubs, window casements and wall tile. It is also a handy tool for applying adhesives, such as for dry wall application.

POWER WASHER

The power washer works well for many outside cleaning jobs. It will help clean your home and siding as well as your driveway and car. It can degrease car engines and tools. By adding foliage spray, you can spray your bushes and plants for insects.

ETCHER/CLEANER

Used with your compact compressor you can decoratively etch wood or glass with the etcher/cleaner. It can also be used to remove paint or rust from small engines or metal tools.

DRAIN CLEANER

This item can be used to clean most household drains. It keeps your hands out of the mess and comes with a splashback shield to protect you.

OTHER ACCESSORIES

There are a variety of accessories available to make using your compressor much easier. There are a variety of sizes and types of hoses to suit any need. Quick disconnects are available for ease of changing hoses and accessories. Several types of air filters and regulators can be purchased to make your compressor more efficient.

These are just a few of the many uses and types of equipment you can use. There are other tools and accessories available that can be considered for use with this compressor. Check the specifications on all tools and equipment before purchasing and use.

TROUBLESHOOTING GUIDE

WARNING

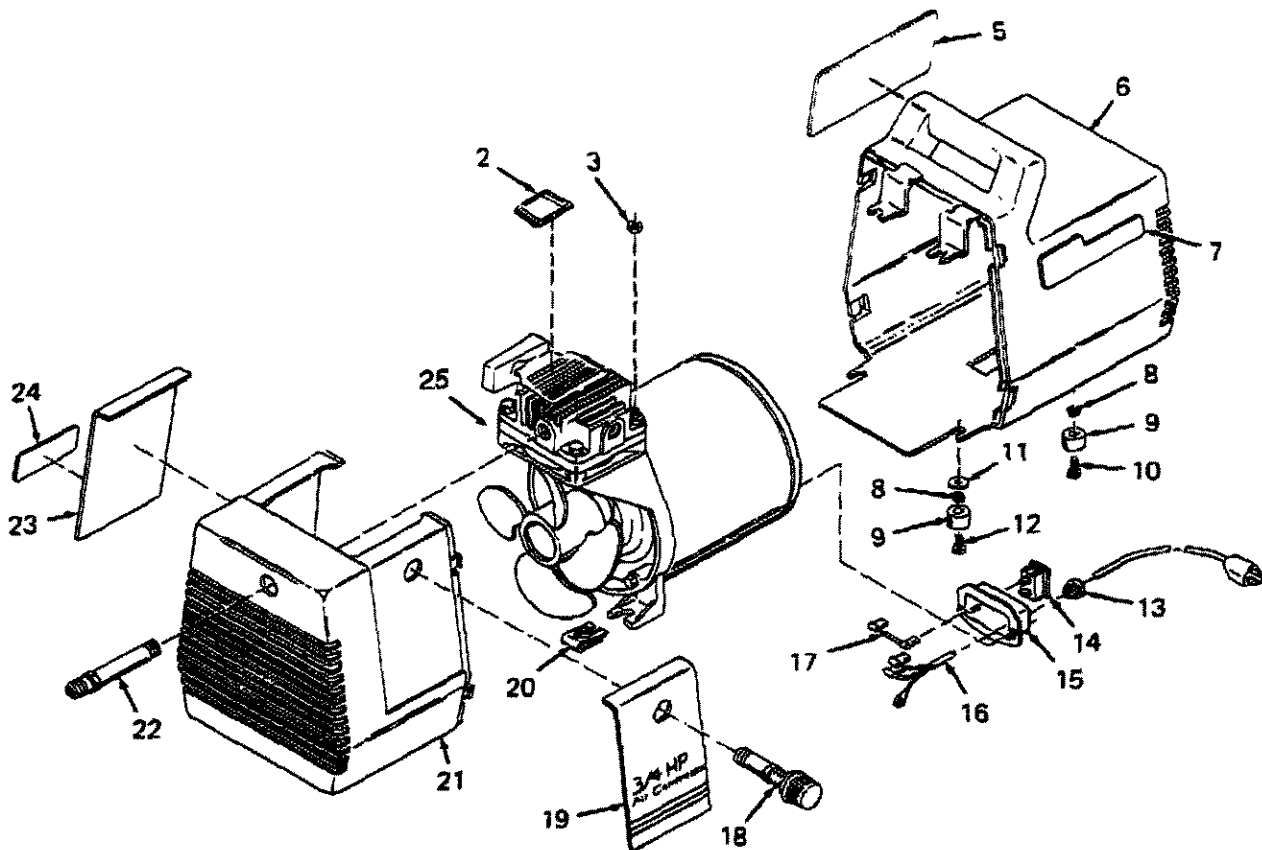
VOLTAGE SOURCES, MOVING PARTS, OR COMPRESSED AIR SOURCES ARE EXPOSED WHEN REPAIRING THE COMPRESSOR. PERSONAL INJURY CAN OCCUR. UNPLUG THE COMPRESSOR AND BLEED OFF ALL AIR PRESSURE BY TURNING THE ADJUSTABLE PRESSURE VALVE TO THE START POSITION BEFORE ATTEMPTING ANY REPAIRS.

PROBLEM	CAUSE	CORRECTION
Air Leaks	Hose fitting loose.	Tighten fitting.
Compressor is not delivering enough air.	Prolonged excessive use of air.	Decrease the amount of air usage. Your compressor is not large enough for the air requirement.
	Restricted air intake filter.	Clean or replace the air intake filter. (See page 7).
	Hole in hose.	Replace the hose.
	Air leaks.	Tighten fittings.
Restricted Air Intake	Dirty air filter.	Clean or replace with new filter. Do not operate the unit in the spray area.
Compressor will not start	Compressed air is in compressor pump.	Set the adjustable pressure valve knob at "Start" to relieve pressure before starting the air compressor. (See Operating Procedures on page 7.)
Motor will not run	Motor overload protection switch has tripped.	Let motor cool off and the compressor will automatically re-start.
	Fuse blown, circuit breaker tripped.	<ol style="list-style-type: none"> 1. Check fuse box for blown fuse and replace as necessary. Reset circuit breaker. Do not use a fuse or circuit breaker with higher rating than that specified for your particular branch circuit. 2. Check for proper fuse. You should be using a Time Delay fuse. 3. Check for low voltage problem. See the "NOTE" on page 7 for details. 4. Check the extension cord. See page 6 for extension cord information. 5. Disconnect the other electrical appliances from circuit or operate the compressor on its own branch circuit.
	Extension cord is wrong length or gauge.	Check the extension cord. See page 6 for extension cord information.
	Loose electrical connections.	Check wiring connection inside terminal box area.
	Faulty motor.	Have checked at a local Sears service center.
High Discharge Pressure -- cannot be adjusted lower	Adjustable pressure valve not functioning.	

WARNING

RISK OF BURSTING. DO NOT OPERATE THE COMPRESSOR IF THIS PROBLEM EXISTS. ADJUSTABLE PRESSURE VALVE MUST BE REPLACED.

AIR COMPRESSOR DIAGRAM



PARTS LIST

KEY NO.	PART NUMBER	DESCRIPTION	KEY NO.	PART NUMBER	DESCRIPTION
1	—	Not used	13	SSW-7367	Strain relief
2	LA-1536	Hot surface label	14	SSS-16	Switch
3	SSF-8129-ZN	Locknut 1/4"-20 (2 used)	15	CAC-348-1	Terminal box cover
4	—	Not used	16	CAC-4232	Cord assembly
5	LA-1780-1	Warning label	17	CAC-4231	Jumper wire
6	CAC-4259	Rear shroud assembly	18	TIA-4378	Adjustable pressure valve
7	—	Sears logo label - not available	19	LA-1787	Performance label
8	SSW-7428	Eyelet (3 used)	20	SSF-8131	Speed nut (3 used)
9	SST-5309	Recess bumper (3 used)	21	CAC-352	Shroud - front
10	STD610807	Screw #8 AB x 5/8 LG	22	H-2102	Adapter
11	SSN-53	Flat washer (2 used)	23	LA-1786	Maintenance label
12	STD610810	Screw #8 AB x 1 LG (2 used)	24	LA-1789	Model No. label
			25	—	Compressor assembly - Not available

COMPRESSOR PUMP DIAGRAM

PARTS LIST

KEY NO.	PART NUMBER	DESCRIPTION
26	CAC-260-2	Filter
27	CAC-1018	Intake muffler
28	—	Not used
29	—	Not used
30	SSF-2043	Set screw
31	SSF-6637	Shoulder stud $\frac{1}{4}$ "-20 x $1\frac{1}{8}$ "
31A	SSF-927	Screw $\frac{1}{4}$ "-20 x $1\frac{1}{8}$ " (2 used)
✓✓ 32	CAC-4234	Head assy.
✓ 33	CAC-245-1	Flapper valve intake
✓ 34	SSF-9821	Screw #5-40 x $\frac{1}{4}$ " (3 used)
✓ 35	CAC-251-2	Gasket
✓ 36	CAC-369	Restrictor
✓ 37	CAC-246-3	Flapper valve exhaust
** 38	CAC-4203-1	Valve plate assy.
✓ 39	SSG-8133	O-ring
✓ 40	CAC-4202	Connecting rod assembly
✓ 41	CAC-249-1	Cylinder sleeve
✓ 42	MO-5421	Motor $\frac{3}{4}$ HP
✓ 43	CAC-4201	Eccentric assembly
* 44	CAC-255-1	Fan
✓ 45	SSF-3101	Screw #10-24 x $\frac{3}{8}$ "

NOT ILLUSTRATED

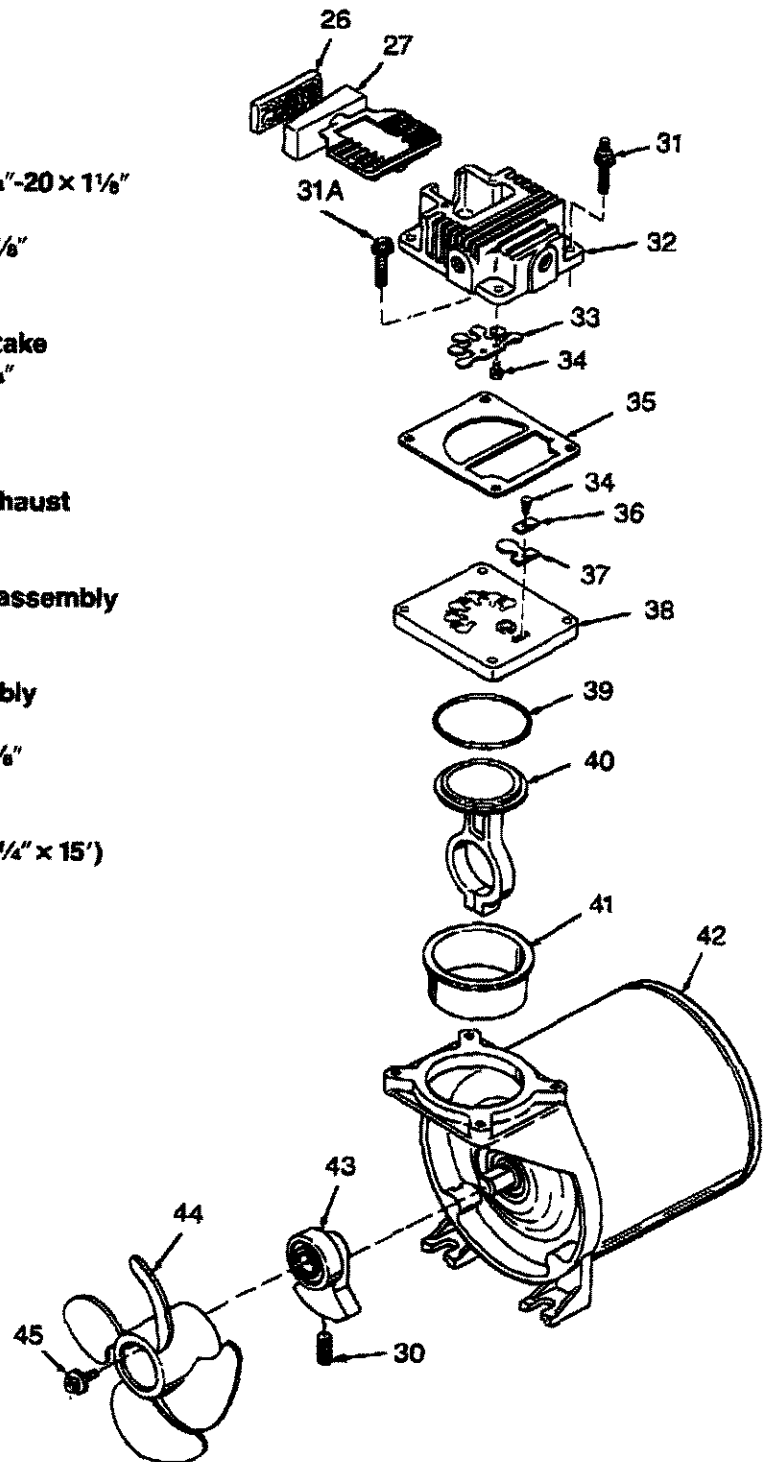
9-16163	Hose assembly ($\frac{1}{4}$ " x 15')
9-16271	Air chuck
SI-30-08-2-C	Owners Manual

* Key 44, can only be purchased as part of KK-4465 which includes (1) SSF-3101 (Key 45).

✓ Key 40, 41 can only be purchased as part of KK-4464 connecting rod kit

✓✓ Key 32, Includes 1 ea. of Key 33 & 34

** Key 38, includes 1 ea. of Key 34, 36 & 37



Free Manuals Download Website

<http://myh66.com>

<http://usermanuals.us>

<http://www.somanuals.com>

<http://www.4manuals.cc>

<http://www.manual-lib.com>

<http://www.404manual.com>

<http://www.luxmanual.com>

<http://aubethermostatmanual.com>

Golf course search by state

<http://golfingnear.com>

Email search by domain

<http://emailbydomain.com>

Auto manuals search

<http://auto.somanuals.com>

TV manuals search

<http://tv.somanuals.com>