

**155 Mb/s SATURN User Network Interface**

**FEATURES**

- Low-cost, monolithic SATURN® SONET/SDH ATM User Network Interface (UNI) for category-5 (UTP-5), Shielded Twisted Pair (STP) and optical applications.
- Implements the ATM Transmission Convergence (TC) sublayer according to ATM Forum specifications using the SONET/SDH 155.52 Mb/s STS- 3c/ STM-1 and 51.84 Mb/s STS-1 formats.
- Provides on-chip UTP/STP drivers, receivers, and line equalizers to allow direct connection to 155 Mb/s UTP-5 or STP twisted pair wiring facilities using line coupling transformers.
- Provides a selectable UTP/STP or Pseudo-ECL (PECL) interface to allow direct connection to Optical Data Links (ODLs).
- Includes clock recovery and clock synthesis with on-chip loop filters.

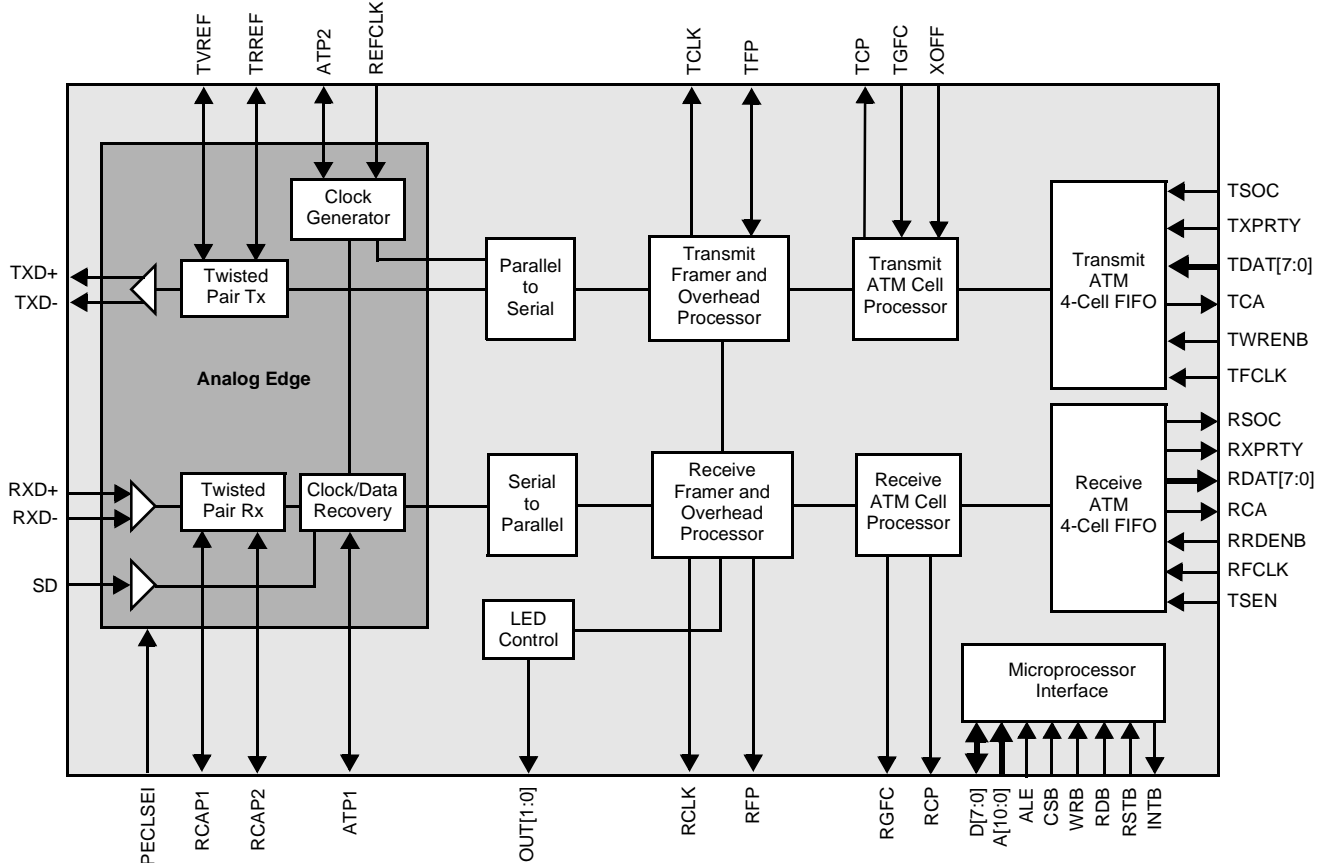
- Operates in timing master or timing slave (loop timed) modes.
- Frames to SONET/SDH framing bytes (A1, A2), processes the section and line Bit Interleaved Parity (B1, B2) and the Far-End Block Error (Z2) bytes.
- Interprets the H1, H2, and H3 payload pointer bytes.
- Processes the SONET path overhead BIP-8 (B3), signal label (C2) and path status (G1) bytes.
- Inserts and extracts ATM payloads using ATM cell delineation.
- Provides on-chip FIFO buffers in both transmit and receive paths.
- Provides on-chip support for GFC and XOFF flow control.
- Provides a synchronous 8-bit plus parity SATURN-Compliant Interface for PHYSICAL layer devices (SCI-PHY™) bus operating at 50 MHz.

- Compatible with ATM Forum UTOPIA interface format.
- Provides a generic 8-bit microprocessor bus interface for configuration, control, and monitoring.
- Provides TTL-compatible inputs and outputs and differential PECL inputs.
- Low power, +5 V CMOS technology.
- Packaged in a 128-pin, 14 mm by 20 mm Plastic Quad Flat Pack (PQFP) with 0.5 mm lead pitch.

**APPLICATIONS**

- 155.52 or 51.84 Mb/s twisted pair or optical ATM LANs
- Workstations and Personal Computer NIC Cards
- Switches, Hubs, and Router Port Cards
- SONET- or SDH-Compliant ATM UNIs

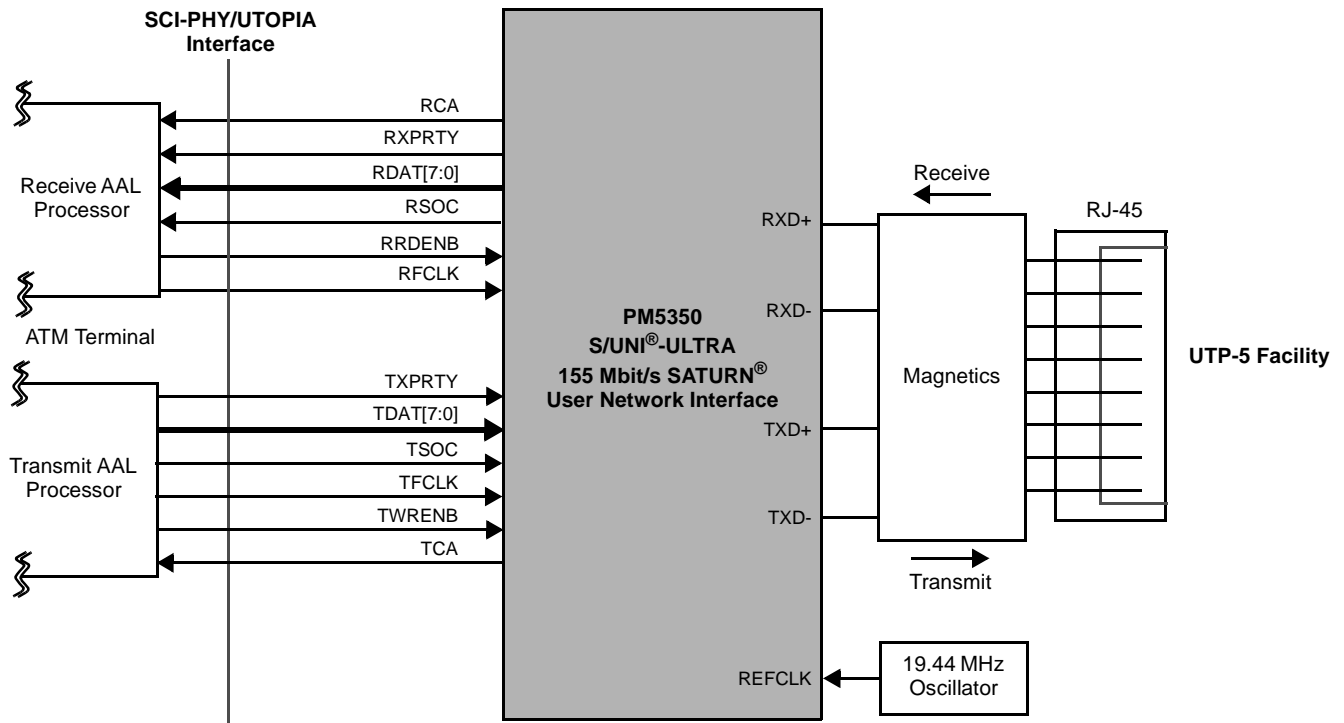
**BLOCK DIAGRAM**



**155 Mb/s SATURN User Network Interface**

**TYPICAL APPLICATION**

**ATM ADAPTER INTERFACE**



Head Office:  
 PMC-Sierra, Inc.  
 #105 - 8555 Baxter Place  
 Burnaby, B.C. V5A 4V7  
 Canada  
 Tel: 604.415.6000  
 Fax: 604.415.6200

To order documentation,  
 send email to:  
 document@pmc-sierra.com  
 or contact the head office,  
 Attn: Document Coordinator

All product documentation is available  
 on our web site at:  
<http://www.pmc-sierra.com>  
 For corporate information,  
 send email to:  
 info@pmc-sierra.com

PMC-960709 (R4)  
 © 1998 PMC-Sierra, Inc.  
 October, 1998  
 SATURN, SCI-PHY, and  
 S/UNI-155-ULTRA are  
 trademarks of PMC-Sierra, Inc.

**PROPRIETARY AND CONFIDENTIAL TO PMC-SIERRA, INC., AND FOR ITS CUSTOMERS' INTERNAL USE**

## Free Manuals Download Website

<http://myh66.com>

<http://usermanuals.us>

<http://www.somanuals.com>

<http://www.4manuals.cc>

<http://www.manual-lib.com>

<http://www.404manual.com>

<http://www.luxmanual.com>

<http://aubethermostatmanual.com>

Golf course search by state

<http://golfingnear.com>

Email search by domain

<http://emailbydomain.com>

Auto manuals search

<http://auto.somanuals.com>

TV manuals search

<http://tv.somanuals.com>