



**Model No. KX-T7667  
Digital Proprietary Telephone**

www.voicesonic.com  
Phone: 877-289-2829

Panasonic KX-T7667, KX T7667, KXT7667, KXDT321, KX-DT333, KX-DT343, KX-T7603, KX-T7640

# ***Installation Instructions***

**Thank you for purchasing the Panasonic KX-T7667 Digital Proprietary Telephone. Please read this manual before using and save for future reference.**

This product can be used with a Panasonic KX-TDA series PBX. For operation, refer to the User Guide for your PBX.

## ***Important Information***

---

**When you ship the product:**

Carefully pack and send it prepaid, adequately insured and preferably in the original carton. Attach a postage-paid letter, detailing the symptom to the outside of the carton. DO NOT send the product to the Executive or Regional Sales offices. They are NOT equipped to make repairs.

**Product service:**

Panasonic Servicenters for this product are listed in the servicenter directory. Consult your certified Panasonic dealer for detailed instructions.

**WARNING:**

TO PREVENT POSSIBLE FIRE OR ELECTRIC SHOCK, DO NOT EXPOSE THIS PRODUCT TO RAIN OR MOISTURE.

THIS HANDSET EARPIECE IS MAGNETIZED AND MAY RETAIN SMALL FERROUS OBJECTS.

DISCONNECT THE TELEPHONE LINE CORD FROM THIS PRODUCT IF THIS PRODUCT EMITS SMOKE, AN ABNORMAL SMELL OR MAKES UNUSUAL NOISE. THESE CONDITIONS CAN CAUSE FIRE OR ELECTRIC SHOCK. CONFIRM THAT SMOKE HAS STOPPED AND CONTACT AN AUTHORIZED SERVICENTER.

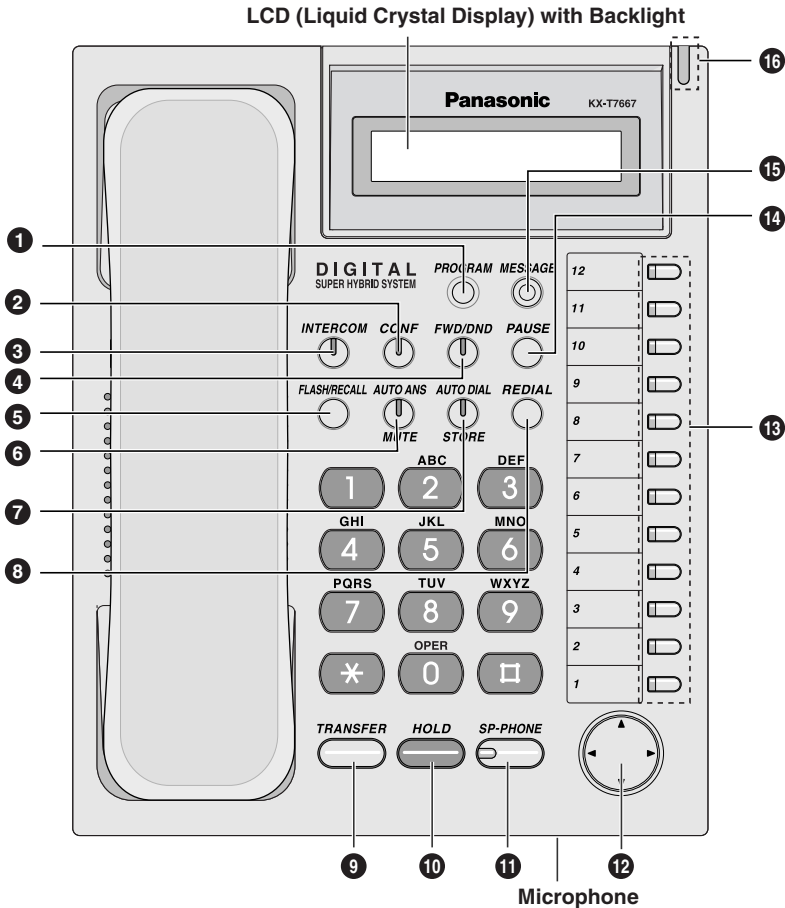
**IMPORTANT NOTICE:**

During a power failure, this telephone will not operate. Please ensure that a separate telephone, not dependent on local power, is available for use in an emergency.

**Included Accessories: (for extra orders, call toll free 1-800-332-5368)**

- Handset . . . . . 1
- Handset Cord . . . . . 1
- Telephone Line Cord . . . . . 1
- Stand . . . . . 1

# Location of Controls



- 1 PROGRAM:** Used to enter and exit the personal programming mode.
- 2 CONF (Conference):** Used to establish a multiple party conversation.
- 3 INTERCOM:** Used to make or receive intercom calls.
- 4 FWD/DND (Call Forwarding/Do Not Disturb):** Used to perform Call Forwarding or Do Not Disturb.
- 5 FLASH/RECALL:** Used to disconnect the current call and make another call without hanging up.
- 6 AUTO ANS (Auto Answer)/MUTE:** Used to receive an incoming call in hands-free mode or mute the microphone/handset during a conversation.
- 7 AUTO DIAL/STORE:** Used for System/Personal Speed Dialing or storing program changes.
- 8 REDIAL:** Used to redial the last dialed number.
- 9 TRANSFER:** Used to transfer a call to another party.
- 10 HOLD:** Used to place a call on hold.

# Location of Controls

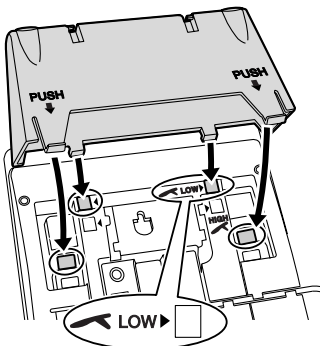
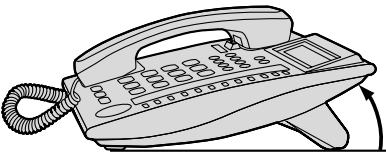
- 11 **SP-PHONE (Speakerphone):** Used for the hands-free operation.
- 12 **Navigator Key:** Used to adjust the volume and select desired items for each function.
- 13 **Flexible Outside (CO) Line Button:** Used to make or receive an outside call. Pressing this button seizes an idle outside line automatically. (Button assignment is required.) Also used as feature buttons. (Button assignment is required.)
- 14 **PAUSE:** Used to insert a pause during dialing.
- 15 **MESSAGE:** Used to leave a message waiting indication or call back the party who left the message waiting indication.
- 16 **Message/Ringer Lamp:** When you receive a call, the lamp flashes red. When someone has left you a message, the lamp stays on red.

# Tilt Angle

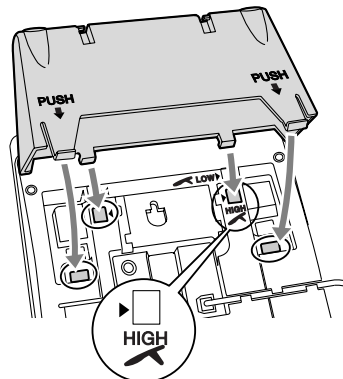
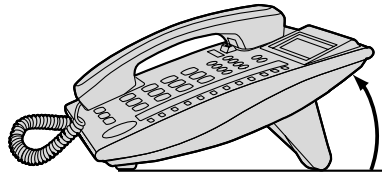
The tilt angle of the unit can be adjusted.

To adjust the angle, insert the stand into the desired holes as shown below.

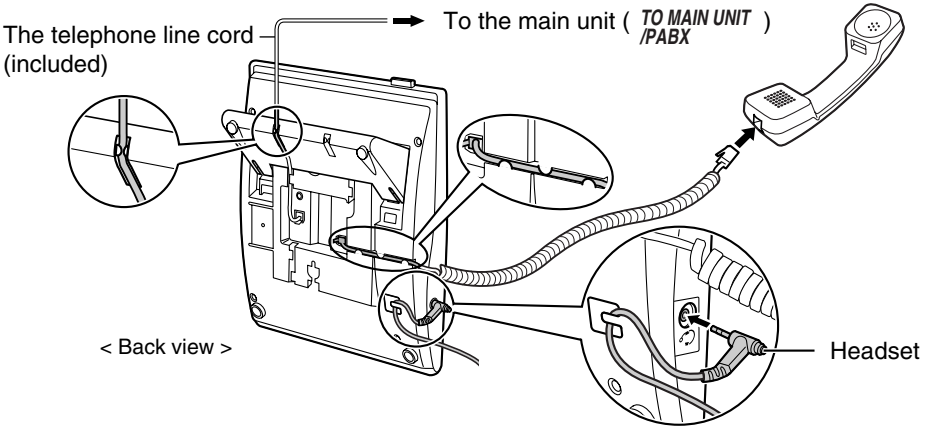
< LOW >



< HIGH >



# Connection



## CAUTION

Ensure the cord is inserted in the groove to prevent damage to the connector.

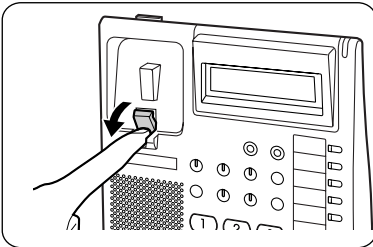
Headset (not included)

Recommendable: KX-TCA86, KX-TCA91, KX-TCA92

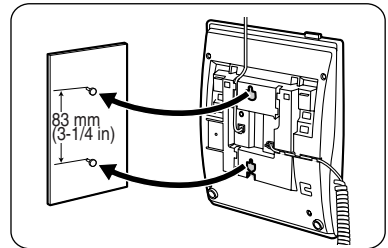
Not compatible: KX-T7090

# Wall Mounting

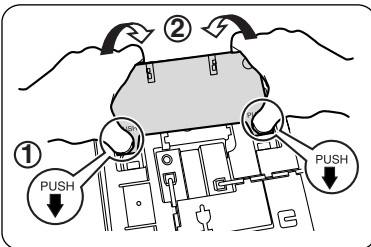
**1** Pull down the handset hook until it locks, so the tab holds the handset.



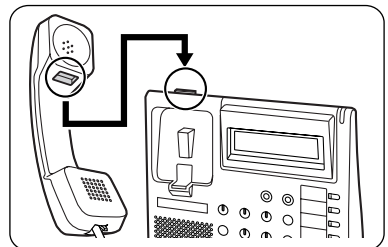
**3** Mount the unit on the wall.



**2** Remove the attached stand.



**To temporarily place the handset down during a conversation, hook it over the top edge of the phone as shown.**



# ***Important Safety Instructions***

---

When using this unit, basic safety precautions, including those below, should always be followed to reduce the risk of fire, electric shock and injury to persons.

1. Read and understand all instructions.
2. Follow all warnings and instructions marked on this unit.
3. Unplug this unit from the main unit before cleaning. Do not use liquid or aerosol cleaners. Clean with a damp cloth.
4. Do not use the unit near water, for example, near a bathtub, kitchen sink, or laundry tub, in a wet basement, or near a swimming pool.
5. Place this unit on a flat surface. Serious damage and/or injury may result if the unit falls.
6. The unit should never be placed near or over a radiator or other heat source.
7. Do not allow anything to rest on the extension cord. Do not locate this unit where the cord may be stepped on or tripped on.
8. To reduce the risk of fire or electric shock, do not overload wall outlets and extension cords.
9. Do not insert objects of any kind into this unit through openings, as they may touch dangerous voltage points or short out parts that could result in a risk of fire or electric shock. Never spill liquid of any kind on the unit.
10. To reduce the risk of electric shock, do not disassemble this unit. Only qualified personnel should service this unit. Opening or removing covers may expose you to dangerous voltages or other risks. Incorrect reassembly can cause electric shock.
11. Unplug this unit from the main unit and have the unit serviced by qualified service personnel in the following cases:
  - A. When the extension cord is damaged or frayed.
  - B. If liquid has been spilled on the unit.
  - C. If the unit has been exposed to rain or water.
  - D. If the unit does not work normally by following the manual. Adjust only controls covered by the manual. Improper adjustment may require repair by an authorized servicenter.
  - E. If the unit has been dropped, or damaged.
  - F. If the unit's performance deteriorates.
12. Avoid using a telephone (other than a cordless type) during an electrical storm. There is a remote risk of electric shock from lightning.
13. Do not use the telephone in the vicinity of a gas leak to report the leak.

**SAVE THESE  
INSTRUCTIONS**

# ***FCC Information***

---

## **NOTE:**

This equipment has been tested and found to comply with the limits for a Class B digital device, pursuant to Part 15 of the FCC Rules. These limits are designed to provide reasonable protection against harmful interference in a residential installation. This equipment generates, uses, and can radiate radio frequency energy and, if not installed and used in accordance with the instructions, may cause harmful interference to radio communications. However, there is no guarantee that interference will not occur in a particular installation. If this equipment does cause harmful interference to radio or television reception, which can be determined by turning the equipment off and on, the user is encouraged to try to correct the interference by one or more of the following measures:

- Reorient or relocate the receiving antenna.
- Increase the separation between the equipment and receiver.
- Connect the equipment to an outlet on a circuit different from that to which the receiver is connected.
- Consult the dealer or an experienced radio/TV technician for help.

## **CAUTION:**

To assure continued compliance with FCC rules, do not make any unauthorized changes or modifications to this equipment would void the user's authority to operate this device.

When programming emergency numbers and/or making test calls to emergency numbers:

- 1) Remain on the line and briefly explain to the dispatcher the reason for the call before hanging up.
- 2) Perform such activities in the off peak hours, such as early morning hours or late evenings.

# ***Customer Information***

---

This equipment complies with Part 68 of the FCC rules and the requirements adopted by the ACTA. On the bottom of the cabinet of this equipment is a label that contains, among other information, a product identifier in the format US: AAAEQ##Txxxx. If requested, this number must be provided to the telephone company.

If trouble is experienced with this equipment KX-T7667, for repair or warranty information, please contact:

For more information call 877-289-2829 or visit [www.voicesonic.com](http://www.voicesonic.com)

If the equipment is causing harm to the telephone network, the telephone company may request that you disconnect the equipment until the problem is resolved.

## **Hearing Aid Compatibility:**

This telephone provides magnetic coupling for hearing aids.

Use only handsets or other acoustic devices with this equipment that are compliant with the hearing aid compatibility requirements of FCC Part 68.

# Other Information

---

- If you are having problems making calls, unplug the extension and connect a known working telephone. If the known working telephone operates properly, have the defective telephone repaired by an authorized Panasonic Factory Servicenter. If the known working telephone does not operate properly, check the PBX System and the internal extension wiring.
- Keep the unit away from heating appliances and devices that generate electrical noise, such as fluorescent lamps, motors and televisions. These noise sources can interfere with the performance of the unit. It also should not be placed in rooms where the temperature is less than 5 °C (41 °F) or greater than 40 °C (104 °F). Allow 10 cm (3-15/16 in) clearance around the unit for proper ventilation.
- Avoid environments with excessive smoke, dust, mechanical vibration, shock, or direct sunlight.
- Wipe the unit with a soft cloth. Do not clean the unit with abrasive powders or with chemical agents such as benzine or thinner.
- Use only the correct Panasonic handset.
- Do not disassemble this unit. Dangerous electrical shock could result. The unit must only be disassembled and repaired by qualified service technicians.
- If damage to this unit exposes any internal parts, immediately disconnect the telephone line and mains supply. Then return the unit to a servicenter.

## For your future reference

SERIAL NO. \_\_\_\_\_ DATE OF PURCHASE \_\_\_\_\_  
(found on the bottom of the unit)

NAME OF DEALER \_\_\_\_\_

DEALER'S ADDRESS \_\_\_\_\_

DEALER'S TEL. NO. \_\_\_\_\_



See More  
Panasonic Manuals



www.voicesonic.com  
Phone: 877-289-2829

**DUBUgcbjWHY`Yd\cbY`GngH/a g**

© 2006 Panasonic Communications Co., Ltd. All Rights Reserved.

**PSQX3928ZA** KK0306SY0



## Free Manuals Download Website

<http://myh66.com>

<http://usermanuals.us>

<http://www.somanuals.com>

<http://www.4manuals.cc>

<http://www.manual-lib.com>

<http://www.404manual.com>

<http://www.luxmanual.com>

<http://aubethermostatmanual.com>

Golf course search by state

<http://golfingnear.com>

Email search by domain

<http://emailbydomain.com>

Auto manuals search

<http://auto.somanuals.com>

TV manuals search

<http://tv.somanuals.com>