

Conference Microphone

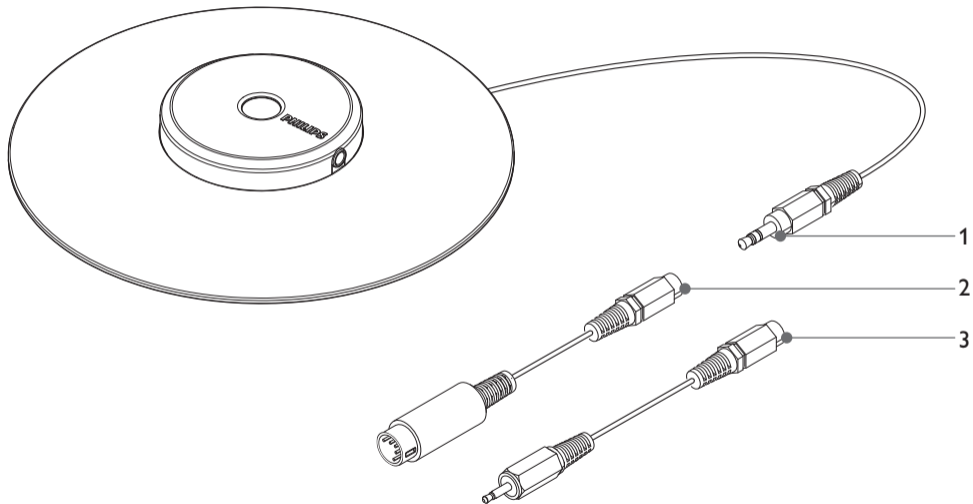
LFH 9172



www.philips.com/dictation

PHILIPS

Download from Www.Somanuals.com. All Manuals Search And Download.



Download from [Www.Somanuals.com](http://www.Somanuals.com). All Manuals Search And Download.

EN Connections overview

- ① 3.5 mm (1/8") audio plug
- ② 3.5 mm (1/8") to 5-pin DIN adaptor cable
- ③ 3.5 mm to 2.5 mm (3/32") adaptor cable

ES Descripción de las conexiones

- ① 3,5 mm conector de audio
- ② Cable adaptador 3,5 mm a 5-pin DIN
- ③ Cable adaptador 3,5 mm a 2,5 mm

DE Übersicht der Anschlüsse

- ① 3,5 mm-Klinkenstecker
- ② 3,5 mm auf 5-pin DIN-Adapterkabel
- ③ 3,5 mm auf 2,5 mm-Adpaterkabel

NL Overzicht van de aansluitingen

- ① 3,5 mm audio jack
- ② 3,5 mm op 5-pin DIN adapter kabel
- ③ 3,5 mm op 2,5 mm adapter kabel

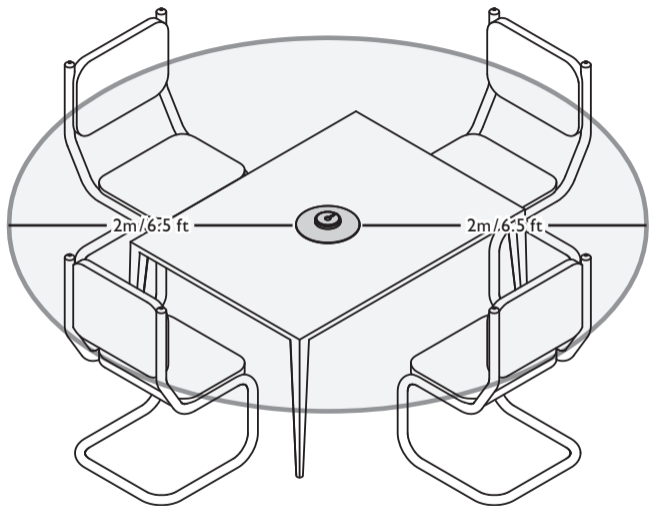
FR Présentation des connexions

- ① Prise audio 3,5 mm
- ② Câble d'adaption 3,5 mm à 5-pin DIN
- ③ Câble d'adaption 3,5 mm à 2,5 mm

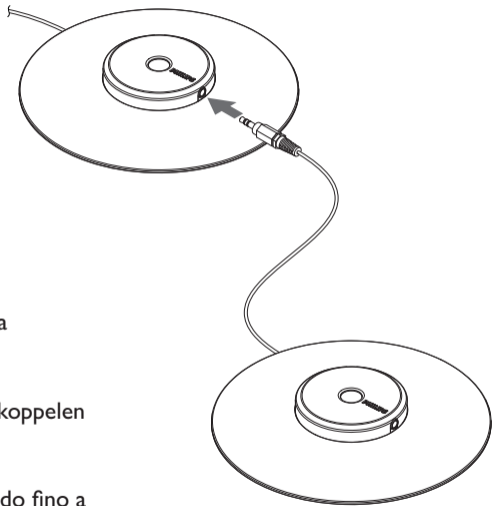
IT Panoramica dei collegamenti

- ① Jack audio 3,5 mm
- ② Adattatore da 3,5mm a DIN 5-pin
- ③ Adattatore da 3,5mm a 2,5mm

- EN Position the conference microphone
- DE Positionieren des Konferenzmikrofons
- FR Mettez en place le microphone de conférence
- ES Posicione el micrófono de conferencia
- NL Positioneer de vergadermicrofoon
- IT Posizionare il microfono da conferenza



- EN Expand the recording range by cascading up to three microphones per recording channel
- DE Erweitern des Aufnahmebereiches durch Zusammenschließen von bis zu drei Mikrofonen pro Aufnahmekanal
- FR Etendez le périmètre d'enregistrement en connectant en série jusqu'à 3 microphones
- ES Expanda el área de grabado conectando hasta 3 micrófonos pro cada canal de grabación
- NL Uitbreiden van het opnamebereik d.m.v. het koppelen van max 3 microfoons per opnamekanaal
- IT Espandere il sistema di registrazione collegando fino a 3 microfoni in cascata



Technical data

Specifications

- Design: Boundary layer microphone
- Type: Electret condenser microphone
- Output impedance: approx. 2.2 kOhm @ 1 kHz
- Sensitivity: -38 dBV
- Frequency response: 30 Hz – 18 kHz
- Phantom supply voltage: 1,5 to 5 V/ 0,5mA

Connectivity

- Audio plug: 3.5mm
- Audio jack (for cascading): 3.5 mm
- Cable length: 2m / 6.5 ft

Dimensions

- Product dimensions (WxDxH):
130x130x18 mm / 5.1x5.1x0.7in.
- Net weight: 108 g / 3.8 oz



Declaration of Conformity

Tested to comply with FCC standards

FOR HOME OR OFFICE USE

Model Number: LFH 9172

Trade Name: Philips Conference Microphone 9172

Responsible Party: Philips Speech Processing, 64 Perimeter Center East, Atlanta, GA 30346, USA, Tel. 888-260-6261

This device complies with Part 15 of the FCC Rules. Operation is subject to the following two conditions:

- 1) This device may not cause harmful interference.
- 2) This device must accept any interference received, including interference that may cause undesired operation.



The CE mark confirms that the device corresponds to the relevant guidelines of the European Union.



The cardboard used for packaging can be recycled. This electronic device contains recyclable material.



Discover the comprehensive range of high-end dictation products from Philips
www.philips.com/dictation

Specifications are subject to change without notice.

Trademarks are the property of Royal Philips Electronics or their respective owners.

© 2008 Royal Philips Electronics. All rights reserved.

Document version 1.0, 28/01/2008.

5103 109 9703.1

Free Manuals Download Website

<http://myh66.com>

<http://usermanuals.us>

<http://www.somanuals.com>

<http://www.4manuals.cc>

<http://www.manual-lib.com>

<http://www.404manual.com>

<http://www.luxmanual.com>

<http://aubethermostatmanual.com>

Golf course search by state

<http://golfingnear.com>

Email search by domain

<http://emailbydomain.com>

Auto manuals search

<http://auto.somanuals.com>

TV manuals search

<http://tv.somanuals.com>