



***SATA150 AND SATA 300
TX SERIES
QUICK START GUIDE***

Version 1.5

© 2005 Promise Technology, Inc. All Rights Reserved.

SATAII150 TX Series Task List

Installation and setup consists of the following steps:

1. Unpack Your SATAII150 or SATA300 Card, below
2. Install the SATAII150 or SATA300 Card (page 3)
3. Install the Disk Drives:
SATAII150 TX2plus or SATA300 TX2plus (page 4)
SATAII150 TX4 (page 5)
SATA300 TX4 (page 7)
4. Install Driver (page 9)

Step 1: Unpack Your SATAII150 or SATA300 Card

When you receive the SATAII150 or SATA300 TX2plus card, the package should contain the items listed below:

- SATAII150 or SATA300 TX2plus Serial ATA Controller card
- Quick Start Guide
- Two 0.65 m (26 inch) Serial ATA data cables. 1.5 Gb cables for SATAII150, 3.0 Gb cables for SATA300
- One 80-wire 40-pin ATA cable
- CD with drivers and *SATAII150 and SATA300 TX Series User Manual*

When you receive the SATAII150 or SATA300 TX4 card, the package should contain the items listed below:

- SATAII150 or SATA300 TX4 Serial ATA Controller card
- Quick Start Guide
- Four 0.65 m (26 inch) Serial ATA data cables. 1.5 Gb cables for SATAII150, 3.0 Gb cables for SATA300
- CD with drivers and *SATAII150 and SATA300 TX Series Manual*

If ANY of the contents are missing or appear to be damaged, please contact your dealer or distributor immediately.



Warning

Before installing the adapter into an existing system, backup any important or useful data. Failure to follow this accepted PC practice could result in data loss.



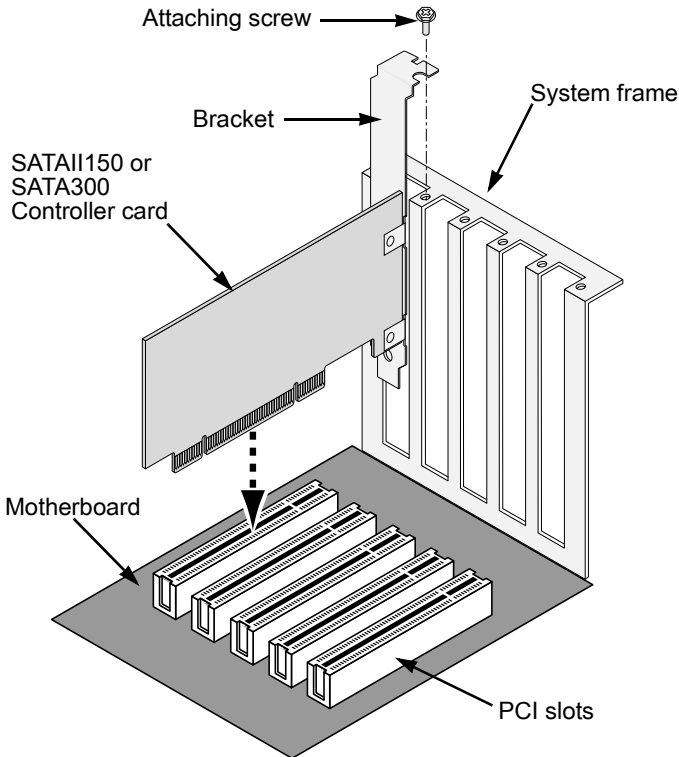
Warning

The SATAII150 or SATA300 TX Series Serial ATA Controller cards, like other parts of your system, are subject to damage by static electricity. Be sure that you're properly grounded (Promise recommends that you wear an anti-static strap or touch a grounded object) and that you unplug your system before installing the SATAII150 or SATA300 TX2plus and TX4.

Step 2: Install the SATAII150 or SATA300Card

The SATAII150 or SATA300 TX2plus or TX4 Serial ATA Controller card fits into any available PCI slot on your PC's motherboard (below):

- 32-bit PCI slot (must be PCI 2.2 or 2.3 compliant)
- The 32-bit portion of a 64-bit PCI or PCI-X slot



- Remove the cover of your system.

5. Remove the inside slot cover of an available 32-bit PCI slot on the motherboard. Install the SATAII150 or SATA300 card into the open PCI slot. Secure the bracket to the system's frame.
6. Attach your system case's 2- or 4-pin LED cable to the LED connector on the SATAII150 or SATA300 card (see *Install the Disk Drives*, below). Make sure that pin 1 on the connector is aligned with pin 1 of the cable.
7. Fasten the controller card bracket to the system case.



Note

The SATAII150 or SATA300 TX2plus and TX4 Controllers are PCI Plug-n-Play (PnP) devices. No changes are necessary in the Motherboard CMOS Setup for resources or drive types in most applications.

Step 3: Install the Disk Drives

SATAII150 or SATA300 TX2plus

The SATAII150 or SATA300 TX2plus supports up to two Serial ATA drives and up to two Parallel ATA drives.



Caution

Use of removable disk drive enclosures other than Promise Technology's SuperSwap is not supported and may result in performance loss or other undesired results.



Note

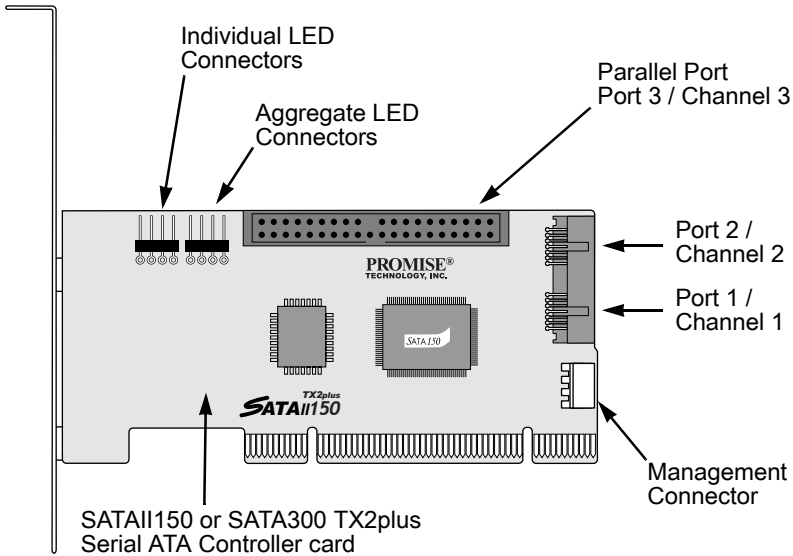
If you are using a Promise SuperSwap 1100 or 4100 enclosure in your PC:

- Connect the power cables to the SuperSwap enclosure.
- Attach a SMBus cable from the Management Connector on the SATAII150 or SATA300 TX2plus card to the Management Connector on the first enclosure

These actions are described in Chapter 2 of the *SuperSwap User Manual*.

1. Install the disk drives into the drive bays of your system.
2. Attach the power cables to the disk drives.

- Attach one Serial ATA data cable to each Serial ATA disk drive. Then attach the other ends of the cables to the connectors on the SATAII150 or SATA300 TX2 plus card (below).



- Attach a black connector of the Ultra ATA cable to each Parallel ATA hard drive.
- Verify that the Master and Slave drives each have the appropriate pin settings. Check the drive manufacturer's documentation for more information.
- Attach the blue cable connector to the Port 3 Parallel connector on the SATAII150 or SATA300 TX2plus controller card. The colored edge of the cable(s) indicates pin 1.

SATAII150 TX4

The SATAII150 TX4 supports up to four Serial ATA drives.



Caution

Use of removable disk drive enclosures other than Promise Technology's SuperSwap is not supported and may result in performance loss or other undesired results.



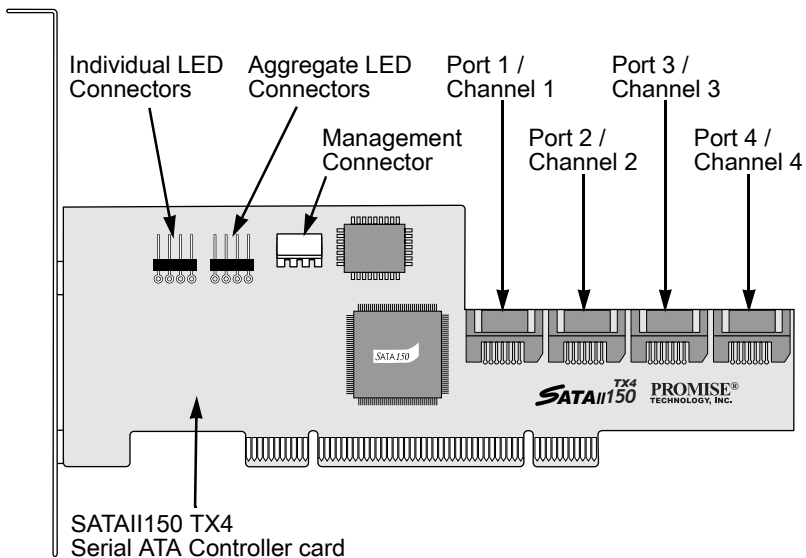
Note

If you are using a Promise SuperSwap 1100 or 4100 enclosure in your PC:

- Connect the power cables to the SuperSwap enclosure.
- Attach a SMBus cable from the Management Connector on the SATAII150 TX4 card to the Management Connector on the first enclosure

These actions are described in Chapter 2 of the SuperSwap *User Manual*.

1. Install the disk drives into the drive bays of your system.
2. Attach the power cables to the disk drives.
3. Attach one Serial ATA data cable to each Serial ATA disk drive. Then attach the other ends of the cables to the connectors on the SATAII150 TX4 card (below).



SATA300 TX4

The SATA300 TX4 supports up to four Serial ATA drives.



Caution

Use of removable disk drive enclosures other than Promise Technology's SuperSwap is not supported and may result in performance loss or other undesired results.



Note

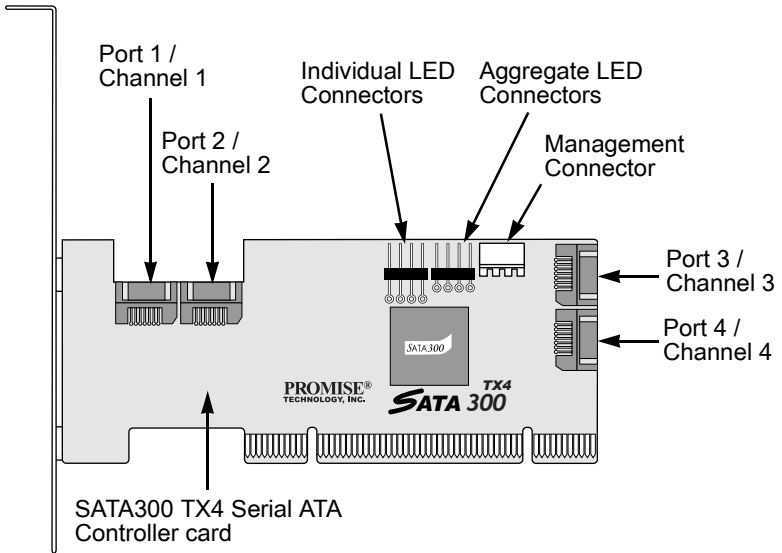
If you are using a Promise SuperSwap 1100 or 4100 enclosure in your PC:

- Connect the power cables to the SuperSwap enclosure.
- Attach a SMBus cable from the Management Connector on the SATA300 TX4 card to the Management Connector on the first enclosure

These actions are described in Chapter 2 of the SuperSwap *User Manual*.

1. Install the disk drives into the drive bays of your system.
2. Attach the power cables to the disk drives.

3. Attach one Serial ATA data cable to each Serial ATA disk drive. Then attach the other ends of the cables to the connectors on the SATA300 TX4 card (below).



Step 4: Install Drivers

- Make a Driver Installation Diskette (Windows), below
- Windows Server 2003
 - New, page 10
 - Existing, page 10
 - Confirm, page 11
- Windows XP
 - New, page 11
 - Existing, page 12
 - Confirm, page 12
- Windows 2000
 - New, page 12
 - Existing, page 13
 - Confirm, page 14
- RedHat Linux
 - New, page 14
 - Existing, page 15
- SuSE Linux
 - New, page 15
 - Existing, page 16

Following are driver installation procedures for the Windows operating systems that support the SATA1150 and SATA300 TX Series Serial ATA Controller cards. The drivers for Windows are included on the CD.

Drivers and installation instructions for Linux operating systems are downloadable from the Promise website at www.promise.com.

Make an Installation Floppy Diskette (Windows)

This procedure requires one write-enabled blank 3.5-inch diskette.

4. Place your blank diskette in the appropriate drive.
5. Insert the Promise CD into your CD-ROM drive.
The display screen should open automatically.
If the display screen does not open, click on MyComputer > CD Drive D: and double-click on the *Launch.exe* icon.
6. Click on the **Windows Driver** button.
The Disk Copy Utility opens.

7. Click the **Create** button in the Utility.
A confirmation box appears.
8. Click the **Yes** button in the confirmation box.
The utility prepares your driver installation diskette.
When the utility is finished, it displays a message.
9. In the message, click the **OK** button.
10. Click the **Exit** button to close the Promise CD.

Windows Server 2003

New Installation

The following details the installation of the SATAII150 or SATA300 Serial ATA Controller drivers while installing Windows Server 2003.

1. Start the installation:
 - Floppy Install: Boot the computer with the Windows Server 2003 installation diskettes.
 - CD-ROM Install: Boot from the CD-ROM. Press F6 after the message "Press F6 if you need to install third party SCSI or RAID driver" appears.
2. When the Windows Server 2003 Setup window is generated, press S to specify an Additional Device(s).
3. Insert the driver diskette into drive A: and press Enter.
4. Choose *Windows Promise SATAII150/SATA300TX2plus [or TX4] (tm) IDE Controller* from the list that appears on screen, and then press the Enter.
5. Press S to use the driver on the floppy disk and then press Enter to continue with installation.
6. The Windows Server 2003 Setup screen will appear again saying "Setup will load support for the following mass storage devices:" The list will include "Windows Promise SATAII150/SATA300TX2plus [or TX4] (tm) IDE Controller".

NOTE: If there are any additional devices to be installed, specify them now. When all devices are specified, continue to the next step.
7. From the Windows Server 2003 Setup screen, press the Enter. Setup will now load all device files and then continue the Windows Server 2003 installation.

Existing Installation

After installing the STAI150 or SATA300 Serial ATA Controller card and rebooting your system, Windows Server 2003 setup will show a "Found New Hardware" dialog box. Under Windows 2003, "Mass Storage Controller" will be displayed.

1. Insert the driver diskette into the A:\ drive.

2. Choose *Install the software automatically* and press the Enter key.
3. Choose *Windows Promise SATAII150/SATA300TX2plus [or TX4] (tm) IDE Controller* from the list that appears on screen, and then press the Enter key.
4. If using a driver that has not been digitally signed by Microsoft, you will be asked if you want to continue the installation. Click Continue anyway.
5. When the New Hardware Wizard has finished installing the SATAII150 or SATA300 driver, click Finish.

Confirm Installation

1. Right-click on the My Computer icon and select Manage from the popup menu.
2. From the left panel, select Device Manager.
3. Click the "+" in front of SCSI and RAID controllers. "Windows Promise SATAII150/SATA300TX2plus [or TX4] (tm) IDE Controller" should appear.

Windows XP

New Installation

The following details the installation of the SATAII150 or SATA300 Serial ATA Controller drivers while installing Windows XP.

1. Start the installation:
 - Floppy Install: Boot the computer with the Windows XP installation diskettes.
 - CD-ROM Install: Boot from the CD-ROM. Press F6 after the message "Press F6 if you need to install third party SCSI or RAID driver" appears.
2. When the Windows XP Setup window is generated, press S to specify an Additional Device(s).
3. Insert the driver diskette into drive A: and press Enter.
4. Choose *Windows Promise SATAII150/SATA300TX2plus [or TX4] (tm) IDE Controller* from the list that appears on screen, and then press the Enter.
5. Press S to use the driver on the floppy disk and then press Enter to continue with installation.
6. The Windows XP Setup screen will appear again saying "Setup will load support for the following mass storage devices:" The list will include "Windows Promise SATAII150/SATA300TX2plus [or TX4] (tm) IDE Controller".

NOTE: If there are any additional devices to be installed, specify them now. When all devices are specified, continue to the next step.

7. From the Windows XP Setup screen, press the Enter. Setup will now load all device files and then continue the Windows XP installation.

Existing Installation

After installing the SATAII150 or SATA300 Serial ATA Controller card and rebooting your system, Windows XP setup will show a "Found New Hardware" dialog box.

1. Insert the driver diskette into the A:\ drive.
2. Choose Install the software automatically and press the Enter key.
3. Choose *Windows Promise SATAII150/SATA300TX2plus [or TX4] (tm) IDE Controller* from the list that appears on screen, and then press the Enter key.
4. If using a driver that has not been digitally signed by Microsoft, you will be asked if you want to continue the installation. Click Continue anyway.
5. When the New Hardware Wizard has finished installing the SATAII150 or SATA300 driver, click Finish.

Confirm Installation

1. Right-click on the My Computer icon and select Manage from the popup menu.
2. From the left panel, select Device Manager.
3. Click the "+" in front of SCSI and RAID controllers. "Windows Promise SATAII150/SATA300TX2plus [or TX4] (tm) IDE Controller" should appear.

Windows 2000

New Installation

The following details the installation of the SATAII150 or SATA300 Serial ATA Controller drivers while installing Windows 2000.

1. Start the installation:
 - Floppy Install: Boot the computer with the Windows 2000 installation diskettes.
 - CD-ROM Install: Boot from the CD-ROM. Press F6 after the message "Press F6 if you need to install third party SCSI or RAID driver" appears.
2. When the Windows 2000 Setup window is generated, press S to specify an Additional Device(s).
3. Insert the driver diskette into drive A: and press Enter.
4. Choose *Windows Promise SATAII150/SATA300TX2plus [or TX4] (tm) IDE Controller* from the list that appears on screen then press Enter.

5. The Windows 2000 Setup screen will appear again saying "Setup will load support for the following mass storage devices:" The list will include "Windows Promise SATAII150/SATA300TX2plus [or TX4] (tm) IDE Controller".

NOTE: If there are any additional devices to be installed, specify them now. When all devices are specified, continue to the next step.

6. From the Windows 2000 Setup screen, press Enter. Setup will now load all device files and then continue the Windows 2000 installation.

Existing Installation

After installing the SATAII150 or SATA300 Serial ATA Controller card and rebooting your system, Windows 2000 setup will show a "New Hardware Found" dialog box. Under Windows 2000, "PCI Mass Storage Controller" will be displayed.

1. Choose *Add New Hardware Wizard* from the list, and then press Enter.
2. Choose *Add/Troubleshoot a device* and click Next. The new hardware wizard will show device list.
3. The screen show a "Welcome to the Found New Hardware Wizard" dialog box. Click Next.
4. Choose *Display a list the known drivers for this device so that I can choose a specific driver*, then click Next.
5. Select *SCSI and RAID controllers*, then click Next.
6. When the Windows 2000 supported SCSI adapter drivers list appears, click Have disk.
7. Insert the driver diskette in drive A:\
8. Type A:\ in the text box, then click OK
9. Choose *Windows Promise SATAII150/SATA300TX2plus [or TX4](tm) IDE controller* from the list that appears on screen, then click Next.
10. If using a driver that has not been digitally signed by Microsoft, you will be asked if you want to continue the installation. Click Yes.
11. Click Yes to confirm continue the installation and copy the driver to system.
12. Remove the diskete and click Finish to restart the system. Windows 2000 will then restart for the driver installation to take effect.

Confirm Installation

1. Right-click on the My Computer icon and select Manage from the popup menu.
2. From the left panel, select Device Manager.
3. Click the "+" in front of SCSI controllers. "Windows Promise SATAII150/ SATA300TX2plus [or TX4] (tm) IDE Controller" should appear.

RedHat Linux

Prepare a driver diskette:

1. Download the RedHat Linux driver from the Promise website at www.promise.com
2. Extract the contents of the ZIP file on to a formatted floppy disk. Use WinZIP in Windows or unzip in Linux.
3. Label the disk "SATAII 150 Driver Disk".

New Installation

1. Boot the Linux system from the Red Hat Linux Installation with CD.
At the "Welcome to Red Hat linux ..." installation screen, a prompt labeled "boot:" will appear at the bottom of the screen.
2. At the boot prompt, type **expert** and press the Enter key.
See the Note below.
3. At the Devices dialog box, insert the SATAII 150 Driver Disk in the floppy drive and then select OK or Yes.
4. Continue with the installation as normal.
5. When installation is at the Congratulations menu, press Ctrl-Alt-F2 to switch screens.
6. Insert the SATAII 150 Driver Disk into the floppy drive.
7. Type the following commands to load SATAII 150 driver:

```
# umount /tmp/fd0 (if this command fails, ignore it and go to the next one)
# chroot /mnt/sysimage
# mount /dev/fd0 /mnt
# cd /mnt
# sh setup-ut
# cd /
# umount /mnt
# exit
```
8. Please Press Ctrl-Alt-F7 and click the Exit button to finish the installation.

NOTE: Red Hat Linux will not provide onboard IDE as standard ide0 and ide1 on some mother boards. To solve this condition, append the boot parameters as follows.

```
ide0=0x1f0,0x3f6,14 ide1=0x170,0x376,15 ide2=0 ide3=0 ide4=0 ide5=0 ide6=0  
ide7=0 ide8=0 ide9=0
```

Existing Installation

1. Boot the Linux system and log in as root.
2. Insert SATAII 150 Driver Disk
3. In a terminal window, enter the following commands:

```
# mount /dev/fd0 /mnt/floppy
```

```
# cd /mnt/floppy
```

```
# sh install
```

Note: At the prompt answer Yes to load SATAII 150 driver every time Linux boots.

```
# cd ..
```

```
# umount /dev/fd0
```

SuSE Linux

Prepare a driver diskette:

1. Download the RedHat Linux driver from the Promise website at www.promise.com
2. Extract the contents of the ZIP file on to a formatted floppy disk. Use WinZIP in Windows or unzip in Linux.
3. Label the disk "SATAII 150 Driver Disk".

New Installation

1. Boot the Linux system from the SuSE Linux Installation with CD.
2. When system boots, press F3 for Driver Disk and select the Installation option.
See the Note below.
3. When "Please insert the Driver Update floppy" displays, insert the SATAII 150 Driver Disk into the floppy drive.
4. When Driver Update Menu appears, select OK then select "back" to return to the installer.
5. Continue with the installation as normal.
6. If you are using SMP system, add a parameter "acpi=off" to "kernel boot parameters" in the Booting menu of Installation Settings.

NOTE: There is a SMP issue on the SuSE Linux SMP kernel. If you encounter problems on SuSE with SMP system, append “acpi=off” parameters into boot loader or select “Installation – ACPI Disabled” on SuSE Linux SMP.

Existing Installation

1. Boot the Linux system and log in as root.
2. Insert SATAII 150 Driver Disk
3. In a terminal window, enter the following commands:

```
# mount /dev/fd0 /floppy
```

```
# cd /floppy
```

```
# sh install
```

Note: At the prompt answer Yes to load SATAII 150 driver every time Linux boots.

```
# cd /
```

```
# umount /floppy
```


Free Manuals Download Website

<http://myh66.com>

<http://usermanuals.us>

<http://www.somanuals.com>

<http://www.4manuals.cc>

<http://www.manual-lib.com>

<http://www.404manual.com>

<http://www.luxmanual.com>

<http://aubethermostatmanual.com>

Golf course search by state

<http://golfingnear.com>

Email search by domain

<http://emailbydomain.com>

Auto manuals search

<http://auto.somanuals.com>

TV manuals search

<http://tv.somanuals.com>