

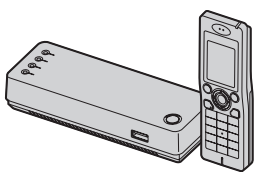
Panasonic

Quick Start Guide

Wi-Fi Phone for Skype™

Executive Travel Set

Model No. **KX-WP1050E**



This product is designed for use in the following countries:

UK, Germany, France (indoor use), USA, Canada, Japan

Contents

1. Packing the accessories 2
2. Installing the base unit 2
3. Setting up the base unit 6
4. Setting up the handset 8
5. Menus 11
6. Managing contacts 13
7. Making / answering calls 15
8. Troubleshooting 15

Thank you for purchasing a Panasonic Wi-Fi Phone for Skype Executive Travel Set.

Please read this Quick Start Guide before using the unit and save for future reference.

For further details, please read the Operating Instructions included in the CD-ROM.

The Operating Instructions are in PDF format. Please note that Adobe® Reader® (6.0 or later) or Acrobat® Reader (5.0 or later) is required to view the Operating Instructions.

No emergency calls: Skype is not a replacement for your ordinary telephone and cannot be used for emergency calling.

We recommend keeping a record of the following information for future reference.

Date of purchase

Serial No.

(found on the bottom of the base unit)

MAC address

(found on the bottom of the base unit)

Name and address of dealer

Note:

- In the event of problems, you should contact your equipment supplier in the first instance.

Sales Department:

Panasonic Business Systems U.K.

Panasonic House, Willoughby Road, Bracknell, Berkshire, RG12 8FP

Panasonic Communications Co., Ltd.

1-62, 4-chome, Minoshima, Hakata-ku, Fukuoka 812-8531, Japan

Copyright:

This material is copyrighted by Panasonic Communications Co., Ltd., and may be reproduced for internal use only. All other reproduction, in whole or in part, is prohibited without the written consent of Panasonic Communications Co., Ltd.

© 2007 Panasonic Communications Co., Ltd. All Rights Reserved.

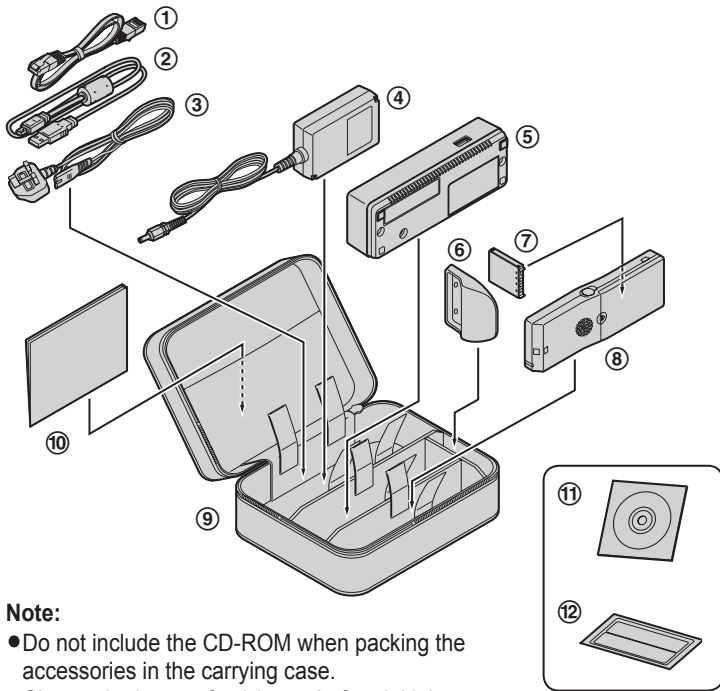


WP1050E

PQOW15844ZA SJ0207SM0

1

Packing the accessories



Note:

- Do not include the CD-ROM when packing the accessories in the carrying case.
- Charge the battery for 6 hours before initial use.

Included accessories

No.	Accessory item	Quantity
①	Ethernet cable (approx. 0.5 m)	1
②	Charge cable (approx. 0.5 m)	1
③	AC mains lead*1 (approx. 1.8 m)	1
④	AC adaptor for base unit (approx. 1.9 m)	1
⑤	Base unit (Wireless travel router)	1
⑥	Handset stand	1
⑦	Battery	1
⑧	Handset	1
⑨	Carrying case	1
⑩	Quick Start Guide	1
⑪	CD-ROM (Operating Instructions are included.)	1
⑫	Wireless LAN sticker*2	1

*1 The included AC mains lead is compatible with a power source up to 250 V AC. You might need a separate AC mains lead when you use this product in other countries.

For USA, Canada and Japan: Part No. PQJA10188Z

For Germany and France: Part No. PFJA02A006Z

*2 Your base unit's default network name (SSID) and network key for wireless connection are printed. As this information is important for the base unit settings, save this sticker in a safe place.

Trademarks:

- Microsoft, Windows and Internet Explorer are either registered trademarks or trademarks of Microsoft Corporation in the United States and/or other countries.
- Skype, SkypeIn, SkypeOut and the S logo are trademarks of Skype Limited.
- Wi-Fi is a trademark of the Wi-Fi Alliance.

- Adobe, Acrobat and Reader are either registered trademarks or trademarks of Adobe Systems Incorporated in the United States and/or other countries.
- Mozilla and Firefox are registered trademarks of the Mozilla Foundation.
- All other trademarks identified herein are the property of their respective owners.

2

Installing the base unit



Select the appropriate installation procedure according to where you want to use the unit.

- **In a hotel room:** Follow the instructions 2-A on this page.
- **At home:** Follow the instructions 2-B on page 4.

Note:

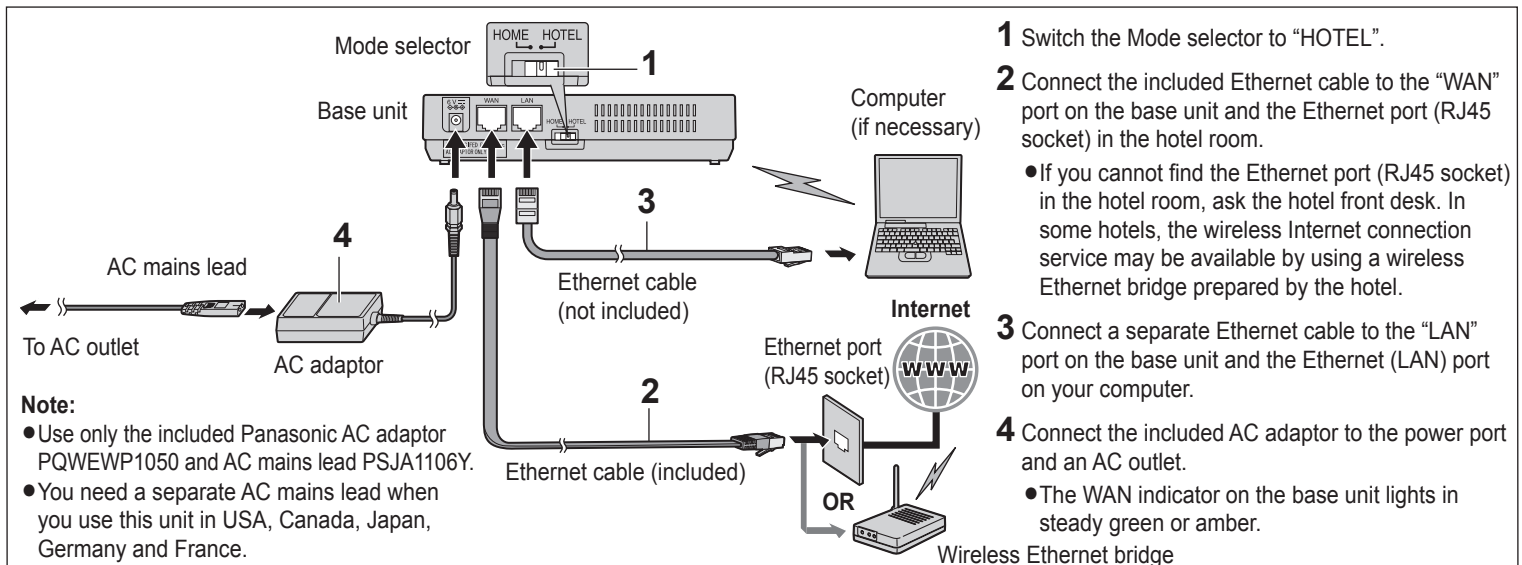
- You need to connect a computer to the base unit in order to set up the base unit.

2-A While you are in a hotel room

You can use the handset while you are travelling by accessing the Internet from a hotel room.

The hotel you are staying in may give you specific instructions as to what Internet connection mode you should select. In that case, follow their

instructions. Otherwise, you are suggested to use **[Default Profile]** when you set the connection mode in Initialization Setup (3-A on page 6).



Note:

- Use only the included Panasonic AC adaptor PQWEWP1050 and AC mains lead PSJA1106Y.
- You need a separate AC mains lead when you use this unit in USA, Canada, Japan, Germany and France.

- 1 Switch the Mode selector to "HOTEL".
- 2 Connect the included Ethernet cable to the "WAN" port on the base unit and the Ethernet port (RJ45 socket) in the hotel room.
 - If you cannot find the Ethernet port (RJ45 socket) in the hotel room, ask the hotel front desk. In some hotels, the wireless Internet connection service may be available by using a wireless Ethernet bridge prepared by the hotel.
- 3 Connect a separate Ethernet cable to the "LAN" port on the base unit and the Ethernet (LAN) port on your computer.
- 4 Connect the included AC adaptor to the power port and an AC outlet.
 - The WAN indicator on the base unit lights in steady green or amber.

2. Installing the base unit

2-B While you are at home

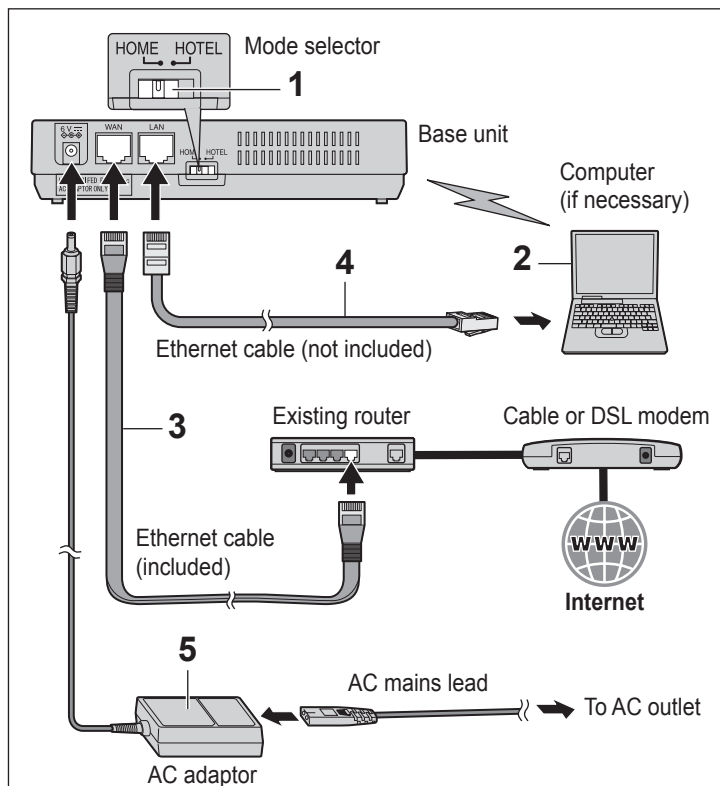
The base unit has 2 modes of operation for use at home: AP (Bridge) mode and Router mode.

- **AP (Bridge) mode** is designed for the case when you have an existing router or modem (cable or DSL) with a built-in router.
- **Router mode** is designed for the case when you only have a standard cable or DSL modem.

With an EXISTING ROUTER or MODEM with a built-in ROUTER

<AP (Bridge) mode>

If you install the base unit with your existing router or modem with a built-in router, the base unit should be set to AP (Bridge) mode. Select **[AP (Bridge)]** for your connection mode in Initialization Setup (3-A on page 6). In AP (Bridge) mode, the base unit connects wireless devices to one another and to the LAN, and allows wireless devices to use a DHCP server on the LAN. In most cases, routers are equipped with the function as the DHCP server.



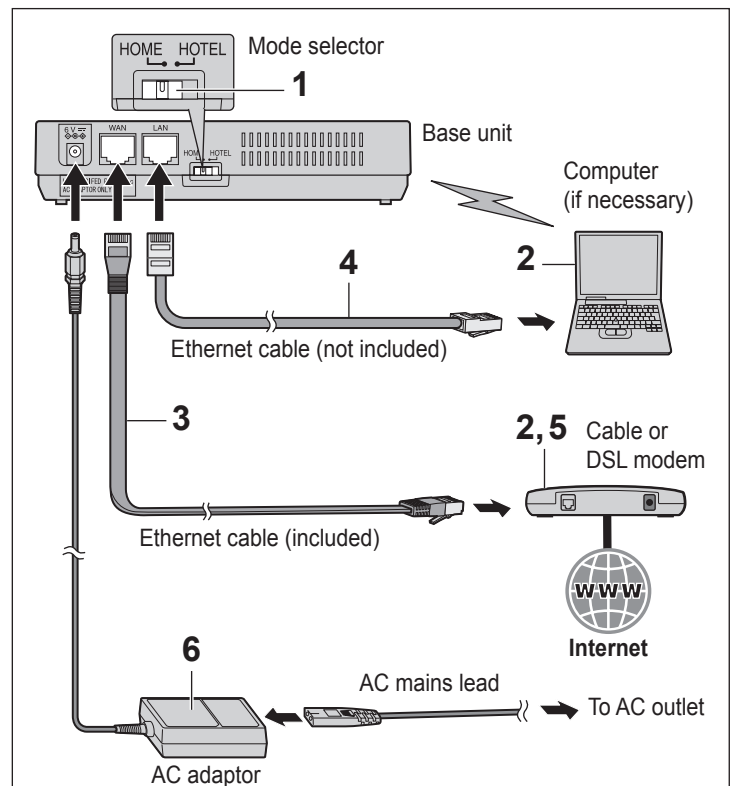
- 1 Switch the Mode selector to "HOME".
- 2 Turn off your computer properly. Unplug any cable connecting your existing router (or modem with a built-in router) to your computer. However, your existing router (or modem with a built-in router) needs to remain connected to your cable or DSL modem.
- 3 Connect the included Ethernet cable to the "WAN" port on the base unit and an unused Ethernet (LAN) port on your existing router (or modem with a built-in router).
- 4 Connect a separate Ethernet cable to the "LAN" port on the base unit and the Ethernet (LAN) port on your computer.
- 5 Connect the included AC adaptor to the power port and an AC outlet.
 - The WAN indicator on the base unit lights in steady green or amber.

Note:

- Use only the included Panasonic AC adaptor PQWEWP1050 and AC mains lead PSJA1106Y.
- You need a separate AC mains lead when you use this unit in USA, Canada, Japan, Germany and France.

With a MODEM ONLY <Router mode>

If you install the base unit with a modem only, the base unit should be set to Router mode. In Router mode, the base unit assigns IP addresses to network devices (including wireless devices) as a DHCP server. It also protects the network devices from being directly exposed to the WAN. For your connection mode, select **[DHCP]**, **[Static]** or **[PPPoE]** in Initialization Setup (3-A on page 6).



- 1 Switch the Mode selector to "HOME".
- 2 Turn off your computer properly and unplug your cable or DSL modem's Mains lead. Unplug any cable connecting the modem to your computer. However, the modem needs to remain connected to the Internet.
- 3 Connect the included Ethernet cable to the "WAN" port on the base unit and the Ethernet (LAN) port on the modem.
- 4 Connect a separate Ethernet cable to the "LAN" port on the base unit and Ethernet (LAN) port on your computer.
- 5 Plug your modem's power adaptor into an AC outlet.
 - Wait for your modem's power light to stop flashing before you go to the next step. (It may take a few minutes.)
- 6 Connect the included AC adaptor to the power port and an AC outlet.
 - The WAN indicator on the base unit lights in steady green or amber.

Note:

- Use only the included Panasonic AC adaptor PQWEWP1050 and AC mains lead PSJA1106Y.
- You need a separate AC mains lead when you use this unit in USA, Canada, Japan, Germany and France.



3-A Initialization Setup

When you log in the base unit for the first time, you must register the network settings you use for HOME or HOTEL mode as a profile in Initialization Setup using the Web browser on the computer you connected to the base unit's "LAN" port.

Important:

•Required Web browser:

- Microsoft® Internet Explorer® 6.0 or later for Windows®
- Mozilla® Firefox® 1.5 or later for Windows

Operating tips:

[]: The words in the brackets indicate button names displayed on the computer screen.

1 After the base unit installation (pages 2-5), turn on the computer you connected to the base unit's "LAN" port.

2 Open the Web browser. Enter <http://192.168.102.1/> (the base unit's default IP address) or <http://kxwpa.webpage> in the address field of the browser and press the ENTER key.

- Initialization Setup starts. The Login User Name and Password page is displayed.

- If you have already set your user name and password, skip to step 4.

If "Initialization Setup" window is not displayed:

- Check the network setting on your computer. It is necessary to obtain an IP address of your computer automatically from a DHCP server. See "Obtain an IP address automatically on your computer" in the Operating Instructions included in the CD-ROM.
- Sometimes it is necessary to set up your Web browser's proxy server to access the base unit. See "Changing the proxy server settings on Web browser" in the Operating Instructions included in the CD-ROM.

3 Enter the desired user name and password, then click [Save].

Important:

- Please keep your user name and password secure.

[User Name]	<ul style="list-style-type: none"> • The user name and password can contain 6 to 15 alphanumeric characters. • The following cannot be used: ["], ['], [&], [<], [>], [:], [(space)]
[Password]	<ul style="list-style-type: none"> • User name and password must be different from each other. • User name and password are case-sensitive.
[Retype Password]	<ul style="list-style-type: none"> • Enter the password again to verify.

- The base unit begins restarting and a prompt screen with fields for your user name and password is displayed.

4 Enter the user name and password set in step 3. Then click [OK].

- Top Menu is displayed.

5 Click [Network Connection] on the Top Menu.

- The current Internet connection settings and information of the wireless connection are displayed.

6 Click [New Profile] under the New Profile heading.

- If you have no specific instructions for the Internet connection from the hotel, you can use [Default Profile] for an easy setup. Ask the hotel front desk for details. Select [Default Profile] then skip to step 10.

7 Select the desired connection mode used in the current mode (HOME or HOTEL), then click [Next>].

When the Mode selector is set to "HOME":

- Internet connection modes vary according to the Internet service provider. Select a connection mode referring to the Internet service provider's setup information.
- Select [DHCP], [Static] or [PPPoE] if the base unit is installed in Router mode. Select [AP (Bridge)] if the base unit is installed in AP (Bridge) mode.

[DHCP]	• Allows the base unit to receive an IP address automatically from a DHCP server. This connection mode is usually required for use with cable modems.
[Static]	• Allows the base unit to assign a specific IP address.
[PPPoE]	• Allows the base unit to receive an IP address from a PPPoE server. This connection mode is usually required for use with DSL modems.
[AP (Bridge)]	• Allows the base unit to work as an access point when you have a router at home.

When the Mode selector is set to "HOTEL":

- Select the connection mode as specific instructions for the Internet connection from the hotel.
- [AP (Bridge)] is not available in HOTEL mode.

[DHCP]	• Allows the base unit to receive an IP address automatically from a DHCP server. DHCP configuration is often used in hotel rooms.
[Static]	• Allows the base unit to assign a specific IP address.
[PPPoE]	• Allows the base unit to receive an IP address from a PPPoE server.

- A screen with fields for configuring the connection mode you select in this step is displayed.

3. Setting up the base unit

Example: When you select **[DHCP]**

DNS		Help
DNS Server1	(If required)	<input type="text"/>
DNS Server2	(If required)	<input type="text"/>

Host Name & Domain Name		Help
Host Name	(If required)	<input type="text"/>
Domain Name	(If required)	<input type="text"/>

MTU		Help
MTU		<input type="text" value="1500 bytes"/>

8 Configure the settings referring to the Internet service provider's setup information (or instructions provided by the hotel), then click **[Next>]**.

- If your Internet service provider or the hotel you are staying in does not specify any of the settings, leave the data fields blank except for MTU entry.
- The Save Settings page is displayed.

Save Settings		Help
Profile Name	Automatic generation	
Profile No.	1	
Connection Type	DHCP	
DNS Server1		
DNS Server2		
Host Name		
Domain Name		
MTU	1500	

9 Confirm the settings you are about to save, then click **[Save]**.

- The setting that you have just configured are saved as profile No. 1 (HOME mode) or No. 2 (HOTEL mode) according to the position of the Mode selector. The profile is automatically named "Automatic generation" and saved.

New settings are saved.

It is necessary to restart this product to complete the setting.
If you want to restart later, click the restart button on the restart page.
If you want to restart it immediately, click the restart button below.

10 Click **[Restart]**.

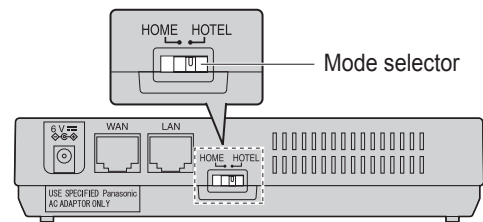
- The base unit restarts with the Internet connection profile you have just saved. When the WAN indicator lights in steady green, the Initialization Setup is complete.
- In AP (Bridge) mode, you need to restart your computer.

11 Try to access a website in order to confirm the Internet connection setting. Enter <http://www.panasonic.co.uk> in the address field of the browser and press the ENTER key.

- If the Panasonic website is displayed, you have successfully connected to the Internet.
- If you are in a hotel room, an authorisation for the Internet access may be required. Ask the hotel front desk and follow their instructions.

3-B Mode selector

Once you have registered the profiles for HOME and HOTEL modes in Initialization Setup, you can easily select the mode by switching the Mode selector to "HOME" or "HOTEL" before turning on the base unit.



3-C Using your computer on a wireless LAN

The 15 character device-specific network name (SSID) and 13 alphanumeric character 128 bit encryption network key (WEP) are set to factory defaults. These factory default setting values are shown on the included Wireless LAN sticker. If you use your computer on a wireless LAN, use the values on the sticker to set the wireless LAN configuration on your computer. To set your computer to be used on a wireless LAN, see the manual for the computer you use.

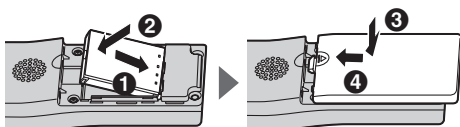
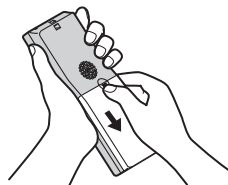
Note:

- To use your computer on a wireless LAN, a wireless LAN card needs to be installed on your computer.

4 Setting up the handset

4-A Battery installation

- 1 Press the notch of the handset cover firmly, and slide it in the direction of the arrow.
- 2 Insert the battery (1), and press it down until it snaps into position (2). Then close the handset cover (3, 4).



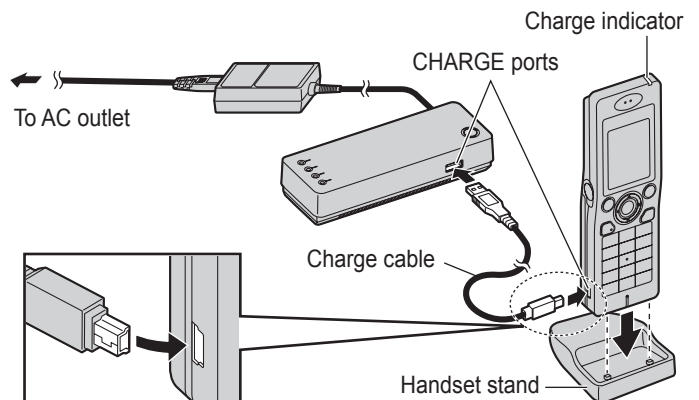
Important:

- Use only the rechargeable Panasonic battery.

Battery charge

Connect the included charge cable to the CHARGE port of the handset. Connect the other end to the CHARGE port of the base unit that is connected to the power supply. Charge the battery for 6 hours before initial use.

- While charging, the charge indicator on the handset lights in red. When the battery is fully charged, the indicator goes out.





4. Setting up the handset



4-B Power on / Sign in to Skype

To use the handset, you need a Skype account and need to connect to a network and sign in to Skype. If you do not have a Skype account, you can create it using the handset.


Operating tips:

[]: The words in the brackets indicate button names/soft key names on the handset.

“ ”: The words in quotations indicate menu items displayed on the handset screen.

Starting up for the first time

Perform the following procedures after installing and setting up the base unit (pages 2-9).

1 Press and hold [] for 2 seconds to turn on the handset.

2 Read the entire Skype agreement. → [Yes]

- The handset starts searching for available networks in range, then the handset automatically connects to the base unit.
- If the network list is displayed, select the desired network and press [Connect].



If you already have a Skype account:

3 After a network connection is complete, select “Sign in to Skype”. → [Select]

4 Enter your Skype name (see section 6-C on page 14 for information on entering text). → [OK] → Enter your password. → [OK]

5 Press [Yes] or [No] to decide whether to sign in automatically from the next time on.

- The Idle screen appears.

If you do not have a Skype account:

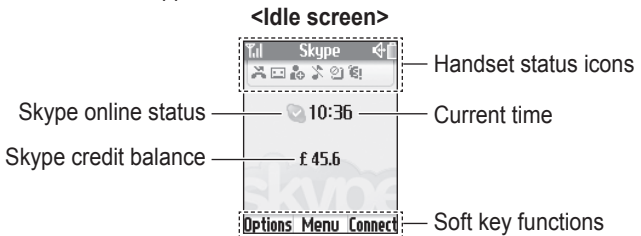
3 “Create new account” → [Select]

4 Enter a Skype name (see section 6-C on page 14 for information on entering text). → [OK] → Enter a password. → [OK] → Re-enter the password. → [OK]

- Skype names can be 6 – 32 characters, numbers, and punctuation marks. You cannot use spaces or start your name with a number or punctuation mark. If the name is already in use, you will be prompted to try another name. Password can be 4 – 20 characters. You can use any mix of upper- and lowercase characters, numbers, and punctuation marks. You cannot use spaces, start your name with a number or punctuation mark, or use your Skype name as a password.

5 Read the entire Skype agreement. → [Yes]

- The Idle screen appears.



Note:

- In step 2, you can connect to specific networks that require you to select security type and enter the network key.
- In step 2, you can also connect to open networks. When connecting to open networks, the confirmation message appears.

To turn off the handset:

Press and hold [] for 2 seconds.



4. Setting up the handset

Starting up for the second time

- 1 Press and hold [⏻] for 2 seconds to turn on the handset.
 - The handset starts searching for available networks. If any networks you normally use are already in your preferred networks list, the handset automatically connects to one of the networks in the list.
- 2 After a network connection is complete, select "Sign in to Skype". → [Select]
 - If the handset is set to "Auto sign in" and you did not sign out the previous time, the Idle screen appears instead of the "Sign in" screen and steps 3 and 4 are skipped.
- 3 Enter your Skype name. → [OK] → Enter your password. → [OK]
- 4 Press [Yes] or [No] to decide whether to sign in automatically from the next time on.
 - The Idle screen appears.

4-C Setting the time and date

Set the correct time and date before you start using the handset.

- Changing "Time zone" and "Summer time" sets the displayed time forward or backward. When you set the time and date for the first time, set the time after all the other time and date settings.

- 1 [Menu] (middle soft key)
- 2 "Settings" → [Select]
- 3 "Time and Date" → [Select]
- 4 Select the desired setting.



Time zone	Select the desired item. → [Select]
Summer time	Select "Standard" or "Summer time". → [Select]
Time	Enter the current hour and minute (24-hour clock/12-hour clock format) by selecting 2 digits for each. For 12-hour clock, press [✳] to select "AM" or "PM". → [OK]
Time format	Select "24 hour clock" or "12 hour clock". → [Select] The default is set to "24 hour clock".
Date	Enter the current day, month and year by selecting 2 digits for day and month, and 4 digits for year. → [OK]
Date format	Select the desired format. → [Select]

Note:

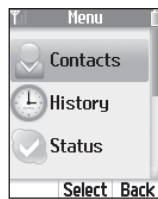
- If you make a mistake when entering the time and date, press [◀] or [▶] to move the cursor, then make the correction.

5 Menus

5-A Main menu

Skype's Main menu provides 7 menus as shown below.

- 1 [Menu] (middle soft key)
- 2 Select the desired menu. → [Select]



Contacts* ¹	View a list of Skype and SkypeOut™ contacts with their current Skype status.
History* ¹	View history of missed calls, incoming calls, outgoing calls, Voicemails and authorization requests.
Status* ¹	Define your personal Skype settings. <ul style="list-style-type: none"> • Change status: Change your Skype online status. • My profile: Change your profile details. • Sign out: Sign out of Skype.
Add contact* ¹	Add Skype and SkypeOut contacts to your contact list.
Search* ¹	Search for Skype contacts over the Internet.
Services* ¹	View Skype credit, SkypeIn™ and Voicemail information.

Settings	Configure handset settings. <ul style="list-style-type: none"> • Network: Search for networks, manage preferred networks list, and set auto-connection to open networks. • General: Change your password*¹, set auto sign-in*¹, update software, and reset handset settings. • Call divert*¹: Set call forwarding, Voicemail and welcome message. • Privacy*¹: Restrict incoming calls to those you specify. • Tones: Set the ringer type, tone, volume, notification tone, Keypad tone and out of service tone. • Time and Date: Set the time zone, summer time, time, time format, date and date format. • Blocked users*¹: View blocked users list and unblock users you desire. • Phone settings: Register the handset to the base unit and adjust the brightness of the handset display. • Information: View handset information such as product ID, software/firmware versions and MAC address. • Advanced: Set the notification for software update and set network proxy.
----------	--

*1 Available only when you are signed in to Skype.

5-B Idle mode option screen

- 1 [Options]
- 2 Select the desired menu. → [Select]
 - Functions available in the menu depend on whether you are signed in to Skype.



Silent* ¹	Set the silent mode to on.
Sounds on* ¹	Set the silent mode to off.

Change status* ² * ³	Change your Skype online status.
My profile* ²	Change your Skype profile details.
Sign out* ²	Sign out of Skype.
View networks	View a list of networks found within range.
Network details	View network connection information.

*1 Either is displayed according to the current silent mode setting.

*2 Available only when you are signed in to Skype.

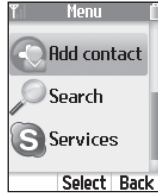
*3 You can also access to the "Change status" menu by pressing [▲] while in the Idle screen.

6-A Adding contacts

You can add up to 500 contacts to your contact list. If you have an existing Skype account, your contact list is automatically downloaded when you sign in. If you are new to Skype and have just created an account, your contact list will be empty. You will need to add contacts to your list.

Adding Skype contacts

- 1 [Menu]** (middle soft key)
- 2 "Add contact"** → **[Select]**
- 3 "skype"** → **[OK]**
- Enter the Skype name (max. 32 characters; see section 6-C on page 14 for information on entering text). → **[OK]**
- Press **[Yes]** to add the contact to your list and to authorize the contact to see when you are online.
 - Press **[No]** to add the contact without the authorization.
 - If you previously sent an authorization request to the same user and the user accepted your request, skip steps 6 and 7, then press **[OK]**.
- Press **[OK]** to send an authorization request to the added contact.
- Enter text to send with the request (max. 200 characters). → **[OK]**



Note:

- You can also search and add Skype contacts from the "Search" menu (6-B on this page).

Adding SkypeOut numbers

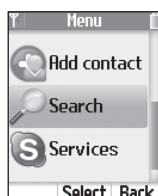
You can add non-Skype (SkypeOut) numbers to your contact list. SkypeOut numbers are listed with "☎" icon in your contact list.

- 1 [Menu]** (middle soft key)
- 2 "Add contact"** → **[Select]**
- 3 "SkypeOut number"** → **[OK]**
- 4 "Contact's name"** → **[Select]**
- Enter the name if you desire (max. 50 characters; see section 6-C on page 14 for information on entering text). → **[OK]**
- 6 "Phone number"** → **[Select]**
- Enter the phone number (max. 20 digits) in the following way (even for local calls):
"country code" + "area code" + "local phone number" → **[OK]**
 Example (using the country code "1" for calling USA): + 1 555 321 5555
 - "+" (international prefix) is automatically added.
 - For some countries, you may need to exclude "0" at the beginning of the area code.
 - To correct a digit, press **[CLEAR]**.
- 8 [Save]**

6-B Searching for Skype contacts

You can search the Skype directory for your desired Skype contacts over the Internet so that you can call, add to your contact list, or view the profiles of the contacts.

- 1 [Menu]** (middle soft key)
- 2 "Search"** → **[Select]**



- Enter the name (Skype name or full name) or E-mail address to search for (max. 50 characters; see section 6-C on this page for information on entering text). → **[OK]**

- You can also search for a contact by entering a part of the name.
- The contacts containing the entered characters are listed.

- Select the desired Skype contact.

- To view the contact's profile, press **[View]**.
- To call the contact, press **[☎]** or **[☎]**.
- To access options, press **[Options]** and select the desired option. → **[Select]**

More results	View the next 20 results.
Previous results	View the previous 20 results.
Search again	Search again with another keyword.
Add to contacts	Add the contact to your contact list.
View profile	View the contact's profile.

6-C Text entry

The dial keys are used to enter characters and numbers. Each dial key has multiple characters assigned to it. Use the following character table for reference when you enter characters or numbers.

Character table

Key	Text entry screen				Phone No. entry screen
	Lowercase (abc)	Uppercase (ABC)	Numeric (123)	Hexadecimal (HEX)	Numeric (123)
[1]	1 . , ? ! - _ @ * ¹		1	1	1
[2]	a b c 2	A B C 2	2	2 a b c	2
[3]	d e f 3	D E F 3	3	3 d e f	3
[4]	g h i 4	G H I 4	4	4	4
[5]	j k l 5	J K L 5	5	5	5
[6]	m n o 6	M N O 6	6	6	6
[7]	p q r s 7	P Q R S 7	7	7	7
[8]	t u v 8	T U V 8	8	8	8
[9]	w x y z 9	W X Y Z 9	9	9	9
[0]	Space* ¹ 0	Space* ¹ 0	0 + (Press and hold)* ¹	0	0 + (Press and hold)
[*]	Change character entry mode				*
[#]	Line feed* ¹				#

*1 Valid depending on the text entry screen.

Basic operation

- To move the cursor, press **[◀]** or **[▶]**.
- To enter another character located on the same dial key, leave for a second after pressing the dial key, so that the cursor automatically moves to the right.
- To change the character entry mode, press **[*]** repeatedly to shift through Lowercase (abc), Uppercase (ABC), Numeric (123) and Hexadecimal (HEX) modes. (Changing the character entry mode is invalid when you enter phone numbers.)
- Press **[*]** to switch between uppercase and lowercase just after entering a character.
- To enter symbols while in the text entry screen, press **[Symbol]** and select the desired symbol, then press **[Insert]**. (The available symbols differ depending on the text entry screen.)
- To edit/correct a mistake, press **[◀]** or **[▶]** to move the cursor to the character or number you want to erase, then press **[CLEAR]**. Enter the appropriate character or number.

7-A Making Skype calls

Using the contact list

1 [CONTACTS]

2 Select the desired Skype contact. → [↵]

- You can search for a contact by entering a part of the display name. Press the dial keys to enter the name, then press [▲] or [▼] to select the desired contact from the candidates.

3 When you are finished talking, press [⏪].

Note:

- In step 1, you can also press [Menu] (middle soft key). → "Contacts" → [Select]

Using History

The following events are logged in the "History" menu: 50 missed calls, 20 incoming calls, 20 outgoing calls, 100 Voicemails and 20 authorization requests.

1 [Menu] (middle soft key)

2 "History" → [Select]

3 Select the desired list. → [Select]

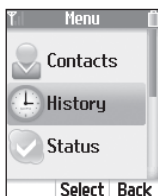
4 Select the desired log. → [↵]

- If you select a Voicemail log, press [Options]. → "Call" → [Select]

5 When you are finished talking, press [⏪].

Note:

- In step 1, you can also press [↵] to access the outgoing calls list. → Press [◀] or [▶] to switch between the outgoing calls, incoming calls and missed calls lists, then skip to step 4.



7-B Making regular phone calls (SkypeOut)

SkypeOut is a way to make calls from Skype to persons who use landlines or mobile phones. You must have Skype credit to make SkypeOut calls. For more information, please visit <http://www.skype.com/>

- Enter the phone number in the following way (even for local calls): "country code" + "area code" + "local phone number"

Example (using the country code "1" for calling USA):

+ 1 555 321 5555

- "+" (international prefix) is automatically added.
- For some countries, you may need to exclude "0" at the beginning of the area code.
- To correct a digit, press [CLEAR].

2 [↵]

3 When you are finished talking, press [⏪].

7-C Answering calls

1 Press [↵] or [⏪].

2 When you are finished talking, press [⏪].

To reject the call:

While the handset is ringing, press [⏪].

Temporary ringer off:

While the handset is ringing, press [Silent].

7-D Useful features during a call

Feature	Operation
Using the speakerphone	Press [⏪] during a call. • To switch to the receiver, press [⏪] or [↵].
Receiver/Speaker volume	Press [▲] or [▼] repeatedly during a call.
Hold	1 Press [Hold] during a call. 2 To release hold, press [Resume] or [↵].
Mute	1 Press [MUTE] during a call. 2 To return to the conversation, press [MUTE] or [↵].
Call waiting	1 Press [Answer] to answer the 2nd call after the call waiting tone. 2 To switch between calls, press [Switch]. 3 To resume conversation, press [Resume].

For other troubleshooting, please see the Operating Instructions included in the CD-ROM. You can also get up-to-date support information from our website: <http://www.panasonic.co.uk>

Problem	Cause/solution
The unit does not work.	<ul style="list-style-type: none"> Make sure the battery is installed correctly and fully charged (pages 8-9). Check the connections (pages 2-5). Unplug the base unit's AC adaptor to reset the unit. Reconnect the adaptor and try again. The handset has not been registered to the base unit. Register the handset (refer to the Operating Instructions included in the CD-ROM).
The Top menu of the base unit is not displayed.	<ul style="list-style-type: none"> Confirm the new IP address by using the handset. Select "Network details" in the Idle mode option screen (5-B on page 11). Enter the displayed IP address in the address field of the browser after http://.

Problem	Cause/solution
I cannot make a call.	<ul style="list-style-type: none"> Confirm the Ethernet cable is properly connected (pages 2-5). If you cannot access Internet Web pages using your computer, check to see if your Internet service provider is having connection problems in your area. Double-check your device connections against the installation instructions (pages 2-5). The order in which you turn on the devices is very important. Many installation issues can be resolved by resetting all the equipment. First, power down your modem, base unit, router (if you have one), and computer. Then, turn the devices back on one at a time in this order: modem, router, base unit, computer. If you use the PPPoE connection, it may take a few minutes or more to reset the PPPoE connection.

Free Manuals Download Website

<http://myh66.com>

<http://usermanuals.us>

<http://www.somanuals.com>

<http://www.4manuals.cc>

<http://www.manual-lib.com>

<http://www.404manual.com>

<http://www.luxmanual.com>

<http://aubethermostatmanual.com>

Golf course search by state

<http://golfingnear.com>

Email search by domain

<http://emailbydomain.com>

Auto manuals search

<http://auto.somanuals.com>

TV manuals search

<http://tv.somanuals.com>