

# SONY®

NTSC

Video Network Station

# SNT-V501

# SNT-V504



## FEATURES

### Network Monitoring System

The SNT-V501/V504 stations support TCP/IP protocol, enabling cameras to be remotely monitored and controlled over LAN (Local Area Networks) and WAN (Wide Area Networks). Equipped with a built-in web server, the SNT-V501/V504 stations allow a PC running a standard web browser to monitor live images and to control certain cameras without the need for additional software or plug-ins. Up to 50 users can simultaneously monitor camera images. Also, smooth, near-motion images are realized with up to 30 fps (NTSC) for VGA image quality.



*The SNT-V501/V504 are compact, high-performance Video Network Stations that enable video cameras to be remotely monitored and controlled<sup>1</sup> over the network. The SNT-V501 accepts one video input, while up to four video inputs are supported by the SNT-V504, providing greater expandability of your IP-based monitoring systems.*

*The SNT-V501/V504 stations provide JPEG images at a high-refresh rate of 30 fps (NTSC), so you can easily monitor smooth, near-motion images using a standard web browser. Support for a PCMCIA card slot, plus a number of convenient features such as alarm, image-transfer, and network security functions, enable scalable and effective monitoring operation.*

*Converting existing analog cameras to an IP-based monitoring system, the SNT-V501/V504 stations are ideal solutions for today's network monitoring demands.*

1. Sony EVI-D70, EVI-D100 and SSC-DC590 series cameras.



Image Viewer (SNT-V501)

### Multiple Camera Operation over LAN (SNT-V504)

The SNT-V504 accepts four video inputs. From a remote PC terminal, signals from the SNT-V504 unit can be monitored using a variety of screen combinations, including two types of four-division split-screens and single screen. Display patterns and image sizes are easily switched by simply clicking on the appropriate icon, providing efficient and flexible monitoring\*.

\*Every user monitoring images can switch the display pattern and image size. When one user changes the display pattern and/or images size, those changes will be reflected on the other user displays.



Image Viewer (SNT-V504)

## Compact and Lightweight Design

With compact dimensions of just 128 x 40 x 150 mm (5 1/8 x 1 5/8 x 6 inches) and a light weight of only 650 g (1 lb 7 oz) (SNT-V501)/ 710 g (1 lb 9 oz) (SNT-V504), these Video Network Stations are suitable for restricted space or rack installation.

## PCMCIA Type II Slot\*

**Memory card** - You can increase the storage capacity of the SNT-V501/V504 stations by adding either a flash memory card or an ATA Hard Disk Drive (HDD) card. IC recording media such as a Memory Stick™ media card with a Memory Stick/PC card adaptor can also be used.

**Wireless card** - The SNT-V501/V504 stations are compatible with certain IEEE 802.11b-compliant wireless PC cards.

\* Please contact your local Sony office or authorized dealer for the memory and the wireless cards compatible with the SNT-V501/V504.

## Alarm Function

The SNT-V501/V504 are equipped with a built-in, activity-detection function that can be set to generate an alarm through its alarm-output ports. In addition, with a sensor-input port that can receive a trigger from an external sensor and a built-in 8-MB buffer, the SNT-V501/V504 stations can store hundreds of pre-alarm and post-alarm still images at the time an alarm is triggered -whether from the activity-detection function, the alarm-input port, or both. Pre-/post-alarm images can then be transferred to an FTP server.

## RS-232C/485 Interface

### Camera control with a serial interface -

The SNT-V501/V504 stations allow control of the Pan/Tilt/Zoom and camera settings of Sony EVI-D100/EVI-D70 cameras, and control of the Sony SSC-DC590 Series cameras.

### Transparent function -

The SNT-V501/V504 stations have a transparent function via the RS-232C/485 interface. External equipment can be connected and controlled by a PC connected to the network.

## Network Security Feature

User access to video cameras via the SNT-V501/V504 stations can be limited by IP filtering. Up to ten different groups can be established by defining an IP address for each group. Additionally, user names and passwords can be assigned to allow four levels of access.

## OTHER FEATURES

### “Tour” Feature -

This allows the user to preset up to five scanning patterns with up to 16 positions in each scan.

### “Area setting” Feature -

This allows the administrator to design an area within the image to be cropped, which is particularly useful when you wish to monitor a specific location.

### Viewing from a PDA

Images can be viewed from a PDA running Microsoft Pocket PC® 2003.\*

\* The Jeode plug-in Ver. 1.9.1 is required for viewing images.

## REAR PANEL



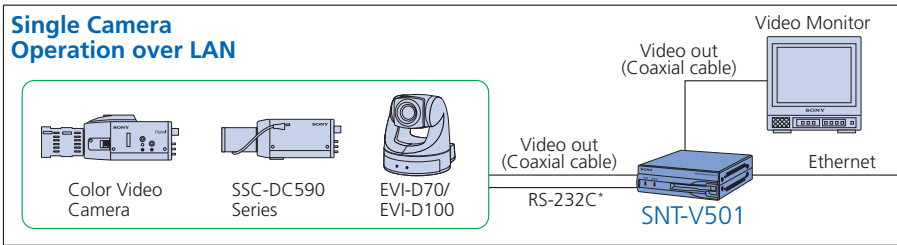
SNT-V501



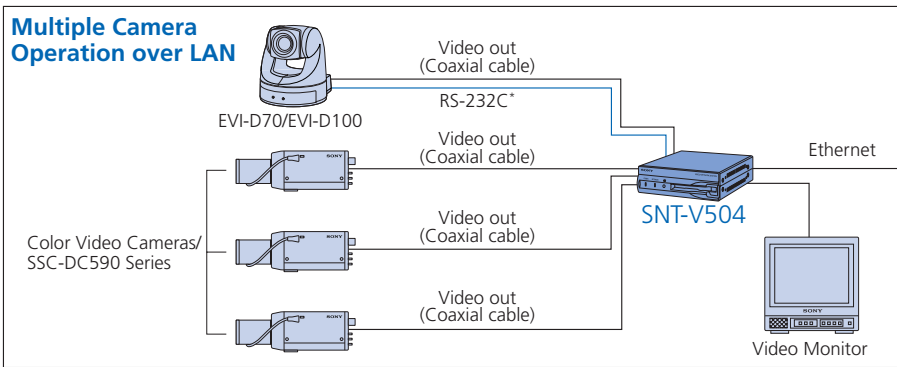
SNT-V504

# SYSTEM CONFIGURATION

## Single Camera Operation over LAN



## Multiple Camera Operation over LAN



\* Only Sony SSC-DC590 Series, EVI-D70, and EVI-D100 cameras can be controlled using the RS-232C interface.

# SPECIFICATIONS

	SNT-V501	SNT-V504
<b>Analog Video Interface</b>		
Video input	(1) Analog composite (BNC x 1), 1.0 Vp-p, 75 ohms, unbalanced, sync negative Auto sensing for NTSC	(4) Analog composite (BNC x 1), 1.0 Vp-p, 75 ohms, unbalanced, sync negative Auto sensing for NTSC
Video output	Through video output: Analog composite (BNC x 1), 1.0 Vp-p, 75 ohms, unbalanced, sync negative	Analog composite (BNC x 1), 1.0 Vp-p, 75 ohms, unbalanced, sync negative (QUAD/Single selectable)
<b>System/Network</b>		
CPU	32-bit RISC processor	
RAM	32 MB (including 8 MB alarm buffer)	
Flash memory	8 MB	
Image size	NTSC 704 x 480, 640 x 480, 320 x 240, 160 x 120	
Compression method	JPEG	
Compression ratio	Approx. 1/5 to 1/60 (10 steps) * The compression ratio is based on an image of 24 bits/picture element (8 bits for each R, G and B).	
Frame rate	NTSC Max. 30 fps (640 x 480)	
Protocols	TCP/IP, ARP, ICMP, HTTP, FTP (server/client), SMTP, DHCP, DNS, NTP, SNMP (MIB-2)	
Number of client	Max. 50	
<b>Interface</b>		
Ethernet	100BASE-TX/10BASE-T (RJ-45)	
Sensor input	(1) 3.3 to 24 V DC device supported, photo coupler inputs electrically isolated from this unit	(4) 3.3 to 24 V DC device supported, photo coupler inputs electrically isolated from this unit
Alarm output	(2) 24 V DC or less, 1 A, mechanical relay outputs electrically isolated from the camera	
Serial interface	RS-485/RS-232C (for camera control or transparency function)	
PC card slot	PCMCIA Type II(1)	
<b>General</b>		
Weight	Approx. 1 lb 7 oz (650 g)	Approx. 1 lb 9 oz (710 g)
Dimensions(W/H/D)	5 1/8 x 1 5/8 x 6 inches (128 x 40 x 150 mm) excluding protruding parts	
Power requirement	DC 12 V or AC 24 V	
Power consumption	10.0 W max.	14.0 W max.
Operating temperature	14°F to 122°F (-10 to 50°C) When PC card is attached: 14 to 104°F (-10 to 40°C)	
Storage temperature	-4 to 140°F (-20 to 60°C)	
Operating humidity	20 to 80 %, Non-condensing	
Storage humidity	20 to 95 %, Non-condensing	
Supplied accessories	CD-ROM (setup program and User's Guide) (1), I/O receptacle (1), Installation manual (1)	

# SONY

Sony Electronics Inc.  
Park Ridge, NJ 07656  
1-800-686-7669  
www.sony.com/security

S-SNTV501/V504  
MK10092V2IW04MAY

©2004 Sony Corporation. All rights reserved.  
Reproduction in whole or in part without written permission is prohibited.  
Features and specifications are subject to change without notice.  
All non-metric weights and measurements are approximate.  
Some images in this catalog are simulated.  
Sony is a registered trademark of Sony Corporation.  
Memory Stick is a trademark of Sony Corporation.  
All other trademarks are the property of their respective owners.

**security systems**  
Nothing Escapes Us.

Printed in USA (8/04)

## Free Manuals Download Website

<http://myh66.com>

<http://usermanuals.us>

<http://www.somanuals.com>

<http://www.4manuals.cc>

<http://www.manual-lib.com>

<http://www.404manual.com>

<http://www.luxmanual.com>

<http://aubethermostatmanual.com>

Golf course search by state

<http://golfingnear.com>

Email search by domain

<http://emailbydomain.com>

Auto manuals search

<http://auto.somanuals.com>

TV manuals search

<http://tv.somanuals.com>