

HPC167064/HPC467064 High-Performance microController with a 16k UV Erasable CMOS EPROM

General Description

The HPC167064 is a member of the HPC family of High Performance microControllers. Each member of the family has the same core CPU with a unique memory and I/O configuration to suit specific applications. The HPC167064 has a 16 kbyte, high-speed, UV-erasable, electrically programmable CMOS EPROM. This is ideally suited for applications where fast turnaround, pattern experimentation, and code confidentiality are important requirements. The HPC167064 can serve as a stand-alone emulator for either the HPC16064 or the HPC16083. Two configuration registers have been added for emulation of the different chips. The on-chip EPROM replaces the presently available user ROM space. The on-chip EPROM can be programmed via a DATA I/O UNISITE. There are security features added to the chip to implement READ, ENCRYPTED READ, and WRITE privileges for the on-chip EPROM. These defined privileges are intended to deter theft, alteration, or unintentional destruction of user code. Each part is fabricated in National's advanced microCMOS technology. This process combined with an advanced architecture provides fast, flexible I/O control, efficient data manipulation, and high speed computation.

The HPC devices are complete microcomputers on a single chip. All system timing, internal logic, EPROM, RAM, and I/O are provided on the chip to produce a cost effective solution for high performance applications. On-chip functions such as UART, up to eight 16-bit timers with 4 input capture registers, vectored interrupts, WATCHDOG™ logic and MICROWIRE/PLUS™ provide a high level of system integration. The ability to address up to 64k bytes of external memory enables the HPC to be used in powerful applications typically performed by microprocessors and expensive peripheral chips.

The microCMOS process results in very low current drain and enables the user to select the optimum speed/power product for his system. The IDLE and HALT modes provide

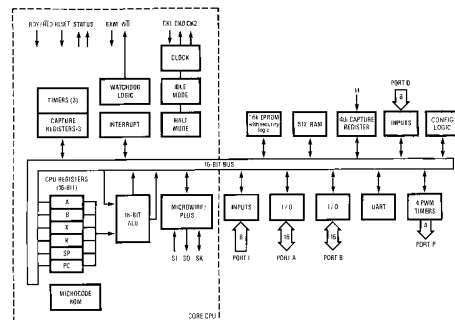
further current savings. The HPC167064 is available only in 68-pin LDCC package.

Features

- HPC family—core features:
 - 16-bit architecture, both byte and word operations
 - 16-bit data bus, ALU, and registers
 - 64 kbytes of direct memory addressing
 - FAST—200 ns for fastest instruction when using 20.0 MHz clock, 134 ns at 30.0 MHz
 - High code efficiency—most instructions are single byte
 - 16 x 16 multiply and 32 x 16 divide
 - Eight vectored interrupt sources
 - Four 16-bit timer/counters with 4 synchronous outputs and WATCHDOG logic
 - MICROWIRE/PLUS serial I/O interface
 - CMOS—very low power with two power save modes: IDLE and HALT
- 16 kbytes high speed UV erasable: electrically programmable CMOS EPROM
- Stand-alone emulation of HPC16083 and HPC16064 family
- EPROM and configuration bytes programmable by DATA I/O UNISITE with Pinsite Module
- Four selectable levels of security to protect on-chip EPROM contents
- UART—full duplex, programmable baud rate
- Four additional 16-bit timer/counters with pulse width modulated outputs
- Four input capture registers
- 52 general purpose I/O lines (memory mapped)
- Commercial (0°C to +70°C), and military (–55°C to +125°C) temperature ranges for 20.0 MHz, commercial (0°C to +70°C) for 30.0 MHz

HPC167064/HPC467064 High-Performance microController with a 16k UV Erasable CMOS EPROM

Block Diagram (HPC167064 with 16k EPROM shown)



TL/DD/11046-1

Series 32000® and TRI-STATE® are registered trademarks of National Semiconductor Corporation. MICROWIRE/PLUS™ and WATCHDOG™ are trademarks of National Semiconductor Corporation. UNIX® is a registered trademark of AT & T Bell Laboratories. IBM® and PC-AT® are registered trademarks of International Business Machines Corp. SunOS™ is a trademark of Sun Microsystems.

Absolute Maximum Ratings

If Military/Aerospace specified devices are required, please contact the National Semiconductor Sales Office/Distributors for availability and specifications.

Total Allowable Source or Sink Current 100 mA
Storage Temperature Range -65°C to $+150^{\circ}\text{C}$
Lead Temperature (Soldering, 10 sec.) 300°C

V_{CC} with Respect to GND -0.5V to 7.0V
All Other Pins $(V_{CC} + 0.5\text{V})$ to $(\text{GND} - 0.5\text{V})$

Note: Absolute maximum ratings indicate limits beyond which damage to the device may occur. DC and AC electrical specifications are not ensured when operating the device at absolute maximum ratings.

DC Electrical Characteristics

$V_{CC} = 5.0\text{V} \pm 5\%$ unless otherwise specified, $T_A = -55^{\circ}\text{C}$ to $+125^{\circ}\text{C}$ for HPC167064 and $V_{CC} = 5.0\text{V} \pm 10\%$ unless otherwise specified, $T_A = 0^{\circ}\text{C}$ to 70°C for HPC467064

Symbol	Parameter	Test Conditions	Min	Max	Units
I_{CC1}	Supply Current	$V_{CC} = \text{max}, f_{IN} = 30.0\text{ MHz}$ (Note 1)		85	mA
		$V_{CC} = \text{max}, f_{IN} = 20.0\text{ MHz}$ (Note 1)		70	mA
		$V_{CC} = \text{max}, f_{IN} = 2.0\text{ MHz}$ (Note 1)		40	mA
I_{CC2}	IDLE Mode Current	$V_{CC} = \text{max}, f_{IN} = 30.0\text{ MHz}$ (Note 1)		6.0	mA
		$V_{CC} = \text{max}, f_{IN} = 20.0\text{ MHz}$, (Note 1)		4.5	mA
		$V_{CC} = \text{max}, f_{IN} = 2.0\text{ MHz}$, (Note 1)		1	mA
I_{CC3}	HALT Mode Current	$V_{CC} = \text{max}, f_{IN} = 0\text{ kHz}$, (Note 1)		400	μA
		$V_{CC} = 2.5\text{V}, f_{IN} = 0\text{ kHz}$, (Note 1)		100	μA

INPUT VOLTAGE LEVELS FOR SCHMITT TRIGGERED INPUTS $\overline{\text{RESET}}$, $\overline{\text{NMI}}$, AND $\overline{\text{WO}}$; AND ALSO CKI

V_{IH1}	Logic High		$0.9 V_{CC}$		V
V_{IL1}	Logic Low			$0.1 V_{CC}$	V

ALL OTHER INPUTS

V_{IH2}	Logic High		$0.7 V_{CC}$	*	V
V_{IL2}	Logic Low		*	$0.2 V_{CC}$	V
I_{LI1}	Input Leakage Current	$V_{IN} = 0$ and $V_{IN} = V_{CC}$ (Note 4)		± 2	μA
I_{LI2}	Input Leakage Current $\overline{\text{RDY}}/\overline{\text{HLD}}$, $\overline{\text{EXUI}}$	$V_{IN} = 0$	-3	-50	μA
I_{LI3}	Input Leakage Current B12	$\overline{\text{RESET}} = 0, V_{IN} = V_{CC}$	0.5	7	μA
I_{LI4}	Input Leakage Current EXM	$V_{IN} = 0$ and $V_{IN} = V_{CC}$ (Note 4)	± 10		μA
C_I	Input Capacitance	(Note 2)		10	pF
C_{IO}	I/O Capacitance	(Note 2)		20	pF

OUTPUT VOLTAGE LEVELS

V_{OH1} V_{OL1}	Logic High (CMOS) Logic Low (CMOS)	$I_{OH} = -10\ \mu\text{A}$ (Note 2) $I_{OH} = 10\ \mu\text{A}$ (Note 2)	$V_{CC} - 0.1$	0.1	V
V_{OH2} V_{OL2}	Port A/B Drive, CK2 (A0-A15, B10, B11, B12, B15)	$I_{OH} = -7\ \text{mA}$ $I_{OL} = 3\ \text{mA}$	2.4	0.4	V
V_{OH3} V_{OL3}	Other Port Pin Drive, $\overline{\text{WO}}$ (open drain) (B0-B9, B13, B14, P0-P3)	$I_{OH} = -1.6\ \text{mA}$ (except $\overline{\text{WO}}$) $I_{OL} = 0.5\ \text{mA}$	2.4	0.4	V
V_{OH4} V_{OL4}	ST1 and ST2 Drive	$I_{OH} = -6\ \text{mA}$ $I_{OL} = 1.6\ \text{mA}$	2.4	0.4	V
V_{OH5} V_{OL5}	Port A/B Drive (A0-15, B10, B11, B12, B15) when used as External Address/Data Bus	$I_{OH} = -1\ \text{mA}$ $I_{OL} = 3\ \text{mA}$	2.4	0.4	V
V_{RAM}	RAM Keep-Alive Voltage	(Note 3)	2.5	V_{CC}	V
I_{OZ}	TRI-STATE® Leakage Current	$V_{IN} = 0$ and $V_{IN} = V_{CC}$		± 5	μA

Note 1: I_{CC1} , I_{CC2} , I_{CC3} measured with no external drive (I_{OH} and $I_{OL} = 0$, I_{IH} , $I_{IL} = 0$ and $\text{EXM} = V_{CC}$). I_{CC1} is measured with $\overline{\text{RESET}} = \text{GND}$. I_{CC3} is measured with $\overline{\text{NMI}} = V_{CC}$. CKI driven to V_{IH1} and V_{IL1} with rise and fall times less than 10 ns.

Note 2: This is guaranteed by design and not tested.

Note 3: Test duration is 100 ms.

Note 4: The EPROM mode of operation for this device requires high voltage input on pins EXM/ V_{pp} , I3, I4, I5, I6 and I7. This will increase the input leakage current above the normal specification when driven to voltages greater than $V_{CC} + 0.3\text{V}$.

*See NORMAL RUNNING MODE.

20 MHz

AC Electrical Characteristics

(See Notes 1 and 4 and Figures 1 thru 5). $V_{CC} = 5V \pm 5\%$, $T_A = -55^\circ\text{C}$ to $+125^\circ\text{C}$ for HPC167064 and $V_{CC} = 5V \pm 10\%$, $T_A = 0^\circ\text{C}$ to $+70^\circ\text{C}$ for HPC467064

	Symbol and Formula	Parameter	Min	Max	Units	Notes
Clocks	f_C	CKI Operating Frequency	2	20	MHz	
	$t_{C1} = 1/f_C$	CKI Clock Period	50	500	ns	
	t_{CKIH}	CKI High Time	22.5		ns	
	t_{CKIL}	CKI Low Time	22.5		ns	
	$t_C = 2/f_C$	CPU Timing Cycle	100		ns	
	$t_{WAIT} = t_C$	CPU Wait State Period	100		ns	
	t_{DC1C2R}	Delay of CK2 Rising Edge after CK1 Falling Edge	0	55	ns	(Note 2)
	t_{DC1C2F}	Delay of CK2 Falling Edge after CK1 Falling Edge	0	55	ns	(Note 2)
Timers	$f_U = f_C/8$	External UART Clock Input Frequency		2.5**	MHz	
	f_{MW}	External MICROWIRE/PLUS Clock Input Frequency		1.25	MHz	
Microwire/Plus	t_{UWS}	MICROWIRE Setup Time—Master MICROWIRE Setup Time—Slave	100 20		ns	
	t_{UWH}	MICROWIRE Hold Time—Master MICROWIRE Hold Time—Slave	20 50		ns	
	t_{UWV}	MICROWIRE Output Valid Time—Master MICROWIRE Output Valid Time—Slave		50 150	ns	
External Hold	$t_{SALE} = \frac{3}{4} t_C + 40$	\overline{HLD} Falling Edge before \overline{ALE} Rising Edge	115		ns	(Note 3)
	$t_{HWP} = t_C + 10$	\overline{HLD} Pulse Width	110		ns	
	$t_{HAE} = t_C + 100$	\overline{HLDA} Falling Edge after \overline{HLD} Falling Edge		200	ns	(Note 5)
	$t_{HAD} = \frac{3}{4} t_C + 85$	\overline{HLDA} Rising Edge after \overline{HLD} Rising Edge		160	ns	
	$t_{BF} = \frac{1}{2} t_C + 66$	Bus Float after \overline{HLDA} Falling Edge		116	ns	
	$t_{BE} = \frac{1}{2} t_C + 66$	Bus Enable after \overline{HLDA} Rising Edge	116		ns	
UPI Timing	t_{UAS}	Address Setup Time to Falling Edge of \overline{URD}	10		ns	(Note 6)
	t_{UAH}	Address Hold Time from Rising Edge of \overline{URD}	10		ns	
	t_{RPW}	\overline{URD} Pulse Width	100		ns	
	t_{OE}	\overline{URD} Falling Edge to Output Data Valid	0	60	ns	
	t_{OD}	Rising Edge of \overline{URD} to Output Data Invalid	5	45	ns	
	t_{DRDY}	\overline{RDRDY} Delay from Rising Edge of \overline{URD}		70	ns	
	t_{WDW}	\overline{UWR} Pulse Width	40		ns	
	t_{UDS}	Input Data Valid before Rising Edge of \overline{UWR}	10		ns	
	t_{UDH} (HPC467064)	Input Data Hold after Rising Edge of \overline{UWR}	20		ns	
	t_{UDH} (HPC167064)		25*		ns	
t_A	\overline{WRRDY} Delay from Rising Edge of \overline{UWR}		70	ns		

*See NORMAL RUNNING MODE.

**This maximum frequency is attainable provided that this external baud clock has a duty cycle such that the high period includes two (2) falling edges of the CK2 clock.

Note: $C_L = 40$ pF.

Note 1: These AC Characteristics are guaranteed with external clock drive on CKI having 50% duty cycle and with less than 15 pF load on CKO with rise and fall times (t_{CKIR} and t_{CKIL}) on CKI input less than 2.5 ns.

Note 2: Do not design with this parameter unless CKI is driven with an active signal. When using a passive crystal circuit, its stability is not guaranteed if either CKI or CKO is connected to any external logic other than the passive components of the crystal circuit.

Note 3: t_{HAE} is spec'd for case with \overline{HLD} falling edge occurring at the latest time can be accepted during the present CPU cycle being executed. If \overline{HLD} falling edge occurs later, t_{HAE} may be as long as $(3t_C + 4 WS + 72t_C + 100)$ depending on the following CPU instruction cycles, its wait states and ready input.

Note 4: $WS = t_{WAIT} \times$ (number of pre-programmed wait states). Minimum and maximum values are calculated at maximum operating frequency, $t_C = 20.00$ MHz, with one wait state programmed.

Note 5: Due to emulation restrictions—actual limits will be better.

Note 6: Due to tester limitations—actual limits will be better.

20 MHz

AC Electrical Characteristics (Continued)

(See Notes 1 and 4 and Figures 1 thru 5.) $V_{CC} = 5V \pm 5\%$, $T_A = -55^\circ C$ to $+125^\circ C$ for HPC167064 and $V_{CC} = 5V \pm 10\%$, $T_A = 0^\circ C$ to $+70^\circ C$ for HPC467064 (Continued)

	Symbol and Formula	Parameter	Min	Max	Units	Notes
Address Cycles	$t_{DC1ALER}$	Delay from CK1 Rising Edge to ALE Rising Edge	0	35	ns	(Notes 1, 2)
	$t_{DC1ALEF}$	Delay from CK1 Rising Edge to ALE Falling Edge	0	35	ns	(Notes 1, 2)
	$t_{DC2ALER} = \frac{1}{4} t_C + 20$	Delay from CK2 Rising Edge to ALE Rising Edge		45	ns	
	$t_{DC2ALEF} = \frac{1}{4} t_C + 20$	Delay from CK2 Falling Edge to ALE Falling Edge		45	ns	
	$t_{LL} = \frac{1}{2} t_C - 9$	ALE Pulse Width	41		ns	
	$t_{ST} = \frac{1}{4} t_C - 7$	Setup of Address Valid before ALE Falling Edge	18		ns	
	$t_{VP} = \frac{1}{4} t_C - 5$	Hold of Address Valid after ALE Falling Edge	20		ns	
Read Cycles	$t_{ARR} = \frac{1}{4} t_C - 5$	ALE Falling Edge to \overline{RD} Falling Edge	20		ns	
	$t_{ACC} = t_C + WS - 55$	Data Input Valid after Address Output Valid		145	ns	
	$t_{RD} = \frac{1}{2} t_C + WS - 65$	Data Input Valid after \overline{RD} Falling Edge		85	ns	
	$t_{RW} = \frac{1}{2} t_C + WS - 10$	\overline{RD} Pulse Width	140		ns	
	$t_{DR} = \frac{3}{4} t_C - 15$	Hold of Data Input Valid after \overline{RD} Rising Edge	0	60	ns	
	$t_{RDA} = t_C - 15$	Bus Enable after \overline{RD} Rising Edge	85		ns	
Write Cycles	$t_{ARW} = \frac{1}{2} t_C - 5$	ALE Falling Edge to \overline{WR} Falling Edge	45		ns	
	$t_{WW} = \frac{3}{4} t_C + WS - 15$	\overline{WR} Pulse Width	160		ns	
	$t_V = \frac{1}{2} t_C + WS - 5$	Data Output Valid before \overline{WR} Rising Edge	145		ns	
	$t_{HW} = \frac{1}{4} t_C - 5$	Hold of Data Valid after \overline{WR} Rising Edge	20		ns	
Ready Input	$t_{DAR} = \frac{1}{4} t_C + WS - 50$	Falling Edge of ALE to Falling Edge of \overline{RDY}		75	ns	
	$t_{RWR} = t_C$	\overline{RDY} Pulse Width	100		ns	

30 MHz

AC Electrical Characteristics

(See Notes 1 and 4 and Figures 1 thru 5). $V_{CC} = 5V \pm 10\%$, $T_A = 0^\circ C$ to $+70^\circ C$ for HPC467064.

	Symbol and Formula	Parameter	Min	Max	Units	Notes
Clocks	f_C	CKI Operating Frequency	2	30	MHz	
	$t_{C1} = 1/f_C$	CKI Clock Period	33	500	ns	
	t_{CKIH}	CKI High Time	22.5		ns	
	t_{CKIL}	CKI Low Time	22.5		ns	
	$t_C = 2/f_C$	CPU Timing Cycle	66		ns	
	$t_{WAIT} = t_C$	CPU Wait State Period	66		ns	
	t_{DC1C2R}	Delay of CK2 Rising Edge after CKI Falling Edge	0	55	ns	(Note 2)
	t_{DC1C2F}	Delay of CK2 Falling Edge after CKI Falling Edge	0	55	ns	(Note 2)
	$f_U = f_C/8$	External UART Clock Input Frequency		3.75**	MHz	
	f_{MW}	External MICROWIRE/PLUS Clock Input Frequency		1.875	MHz	
Timers	$f_{XIN} = f_C/22$	External Timer Input Frequency		1.364	MHz	
	$t_{XIN} = t_C$	Pulse Width for Timer Inputs	66		ns	
Microwire/Plus	t_{UWS}	MICROWIRE Setup Time—Master MICROWIRE Setup Time—Slave	100 20		ns	
	t_{UWH}	MICROWIRE Hold Time—Master MICROWIRE Hold Time—Slave	20 50		ns	
	t_{UWV}	MICROWIRE Output Valid Time—Master MICROWIRE Output Valid Time—Slave		50 150	ns	
External Hold	$t_{SALE} = \frac{3}{4} t_C + 40$	\overline{HLD} Falling Edge before ALE Rising Edge	90		ns	
	$t_{HWP} = t_C + 10$	\overline{HLD} Pulse Width	76		ns	
	$t_{HAE} = t_C + 85$	HLDA Falling Edge after \overline{HLD} Falling Edge		151	ns	(Note 3)
	$t_{HAD} = \frac{3}{4} t_C + 85$	HLDA Rising Edge after \overline{HLD} Rising Edge		135	ns	
	$t_{BF} = \frac{1}{2} t_C + 66$	Bus Float after HLDA Falling Edge		99	ns	(Note 5)
	$t_{BE} = \frac{1}{2} t_C + 66$	Bus Enable after HLDA Rising Edge	99		ns	(Note 5)
UPI Timing	t_{UAS}	Address Setup Time to Falling Edge of \overline{URD}	10		ns	
	t_{UAH}	Address Hold Time from Rising Edge of \overline{URD}	10		ns	
	t_{RPW}	\overline{URD} Pulse Width	100		ns	
	t_{OE}	\overline{URD} Falling Edge to Output Data Valid	0	60	ns	
	t_{OD}	Rising Edge of \overline{URD} to Output Data Invalid	5	45	ns	(Note 6)
	t_{DRDY}	RDRDY Delay from Rising Edge of \overline{URD}		70	ns	
	t_{WDW}	\overline{UWR} Pulse Width	40		ns	
	t_{UDS}	Input Data Valid before Rising Edge of \overline{UWR}	10		ns	
	t_{UDH}	Input Data Hold after Rising Edge of \overline{UWR}	20		ns	
t_A	WRRDY Delay from Rising Edge of \overline{UWR}		70	ns		
Address Cycles	$t_{DC1ALER}$	Delay from CK1 Rising Edge to ALE Rising Edge	0	35	ns	(Notes 1, 2)
	$t_{DC1ALEF}$	Delay from CK1 Rising Edge to ALE Falling Edge	0	35	ns	(Notes 1, 2)
	$t_{DC2ALER} = \frac{1}{4} t_C + 20$	Delay from CK2 Rising Edge to ALE Rising Edge		37	ns	
	$t_{DC2ALEF} = \frac{1}{4} t_C + 20$	Delay from CK2 Falling Edge to ALE Falling Edge		37	ns	
	$t_{LL} = \frac{1}{2} t_C - 9$	ALE Pulse Width	24		ns	
	$t_{ST} = \frac{1}{4} t_C - 7$	Setup of Address Valid before ALE Falling Edge	9		ns	
	$t_{VP} = \frac{1}{4} t_C - 5$	Hold of Address Valid after ALE Falling Edge	11		ns	

30 MHz

AC Electrical Characteristics (Continued)

(See Notes 1 and 4 and Figures 1 thru 5). $V_{CC} = 5V \pm 10\%$, $T_A = 0^\circ\text{C}$ to $+70^\circ\text{C}$ for HPC467064. (Continued)

	Symbol and Formula	Parameter	Min	Max	Units	Notes
Read Cycles	$t_{ARR} = \frac{1}{4} t_C - 5$	ALE Falling Edge to \overline{RD} Falling Edge	12		ns	
	$t_{ACC} = t_C + WS - 32$	Data Input Valid after Address Output Valid		100	ns	
	$t_{RD} = \frac{1}{2} t_C + WS - 39$	Data Input Valid after \overline{RD} Falling Edge		60	ns	
	$t_{RW} = \frac{1}{2} t_C + WS - 14$	\overline{RD} Pulse Width	85		ns	
	$t_{DR} = \frac{3}{4} t_C - 15$	Hold of Data Input Valid after \overline{RD} Rising Edge	0	35	ns	
	$t_{RDA} = t_C - 15$	Bus Enable after \overline{RD} Rising Edge	51		ns	
Write Cycles	$t_{ARW} = \frac{1}{2} t_C - 5$	ALE Falling Edge to \overline{WR} Falling Edge	28		ns	
	$t_{WW} = \frac{3}{4} t_C + WS - 15$	\overline{WR} Pulse Width	101		ns	
	$t_V = \frac{1}{2} t_C + WS - 5$	Data Output Valid before \overline{WR} Rising Edge	94		ns	
	$t_{HW} = \frac{1}{4} t_C - 10$	Hold of Data Valid after \overline{WR} Rising Edge	7		ns	
Ready Input	$t_{DAR} = \frac{1}{4} t_C + WS - 50$	Falling Edge of ALE to Falling Edge of \overline{RDY}		33	ns	
	$t_{RWR} = t_C$	\overline{RDY} Pulse Width	66		ns	

**This maximum frequency is attainable provided that this external baud clock has a duty cycle such that the high period includes two (2) falling edges of the CK2 clock.

Note: $C_L = 40$ pF.

Note 1: These AC Characteristics are guaranteed with external clock drive on CK1 having 50% duty cycle and with less than 15 pF load on CK0 with rise and fall times (t_{CK1R} and t_{CK1L}) on CK1 input less than 2.5 ns.

Note 2: Do not design with this parameter unless CK1 is driven with an active signal. When using a passive crystal circuit, its stability is not guaranteed if either CK1 or CK0 is connected to any external logic other than the passive components of the crystal circuit.

Note 3: t_{HAE} is spec'd for case with HLD falling edge occurring at the latest time can be accepted during the present CPU cycle being executed. If HLD falling edge occurs later, t_{HAE} may be as long as $(3t_C + 4 WS + 72t_C + 100)$ depending on the following CPU instruction cycles, its wait states and ready input.

Note 4: $WS = t_{WAIT} \times$ (number of pre-programmed wait states). Minimum and maximum values are calculated at maximum operating frequency, $t_C = 30.00$ MHz, with one wait state programmed.

Note 5: Due to emulation restrictions—actual limits will be better.

Note 6: Due to tester limitations—actual limits will be better.

CKI Input Signal Characteristics

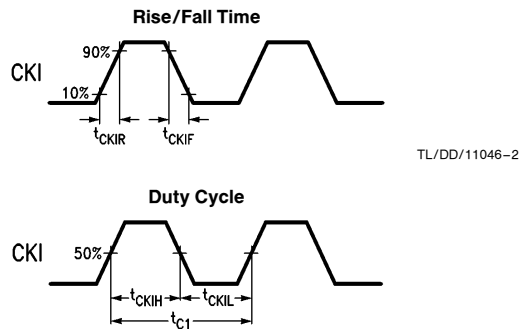
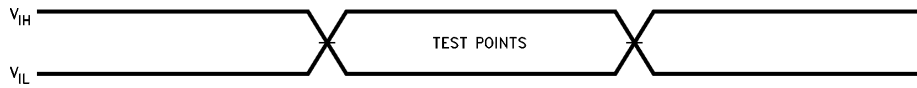


FIGURE 1. CKI Input Signal

CKI Input Signal Characteristics

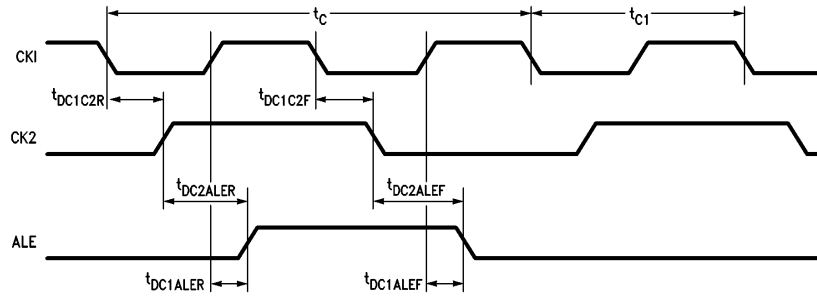


TL/DD/11046-4

Note: AC testing inputs are driven at V_{IH} for logic "1" and V_{IL} for a logic "0". Output timing measurements are made at $V_{CC}/2$ for both logic "1" and logic "0".

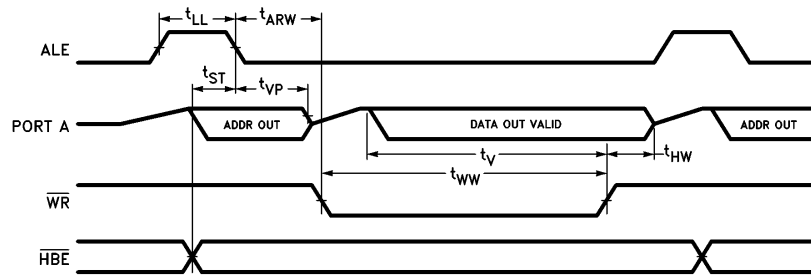
FIGURE 2. Input and Output for AC Tests

Timing Waveforms



TL/DD/11046-5

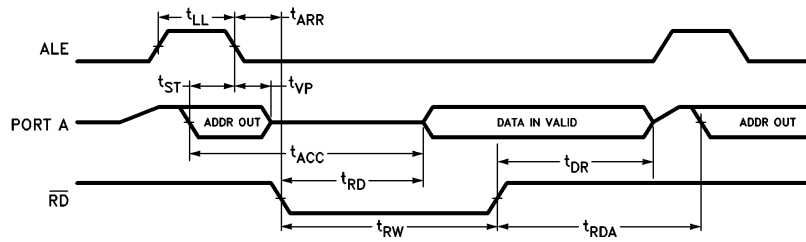
FIGURE 3. CK1, CK2, ALE Timing Diagram



TL/DD/11046-6

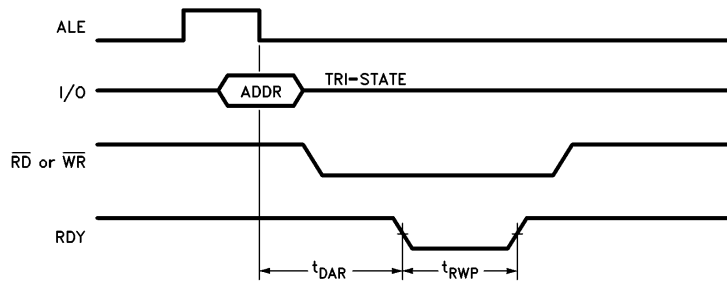
FIGURE 4. Write Cycle

Timing Waveforms (Continued)



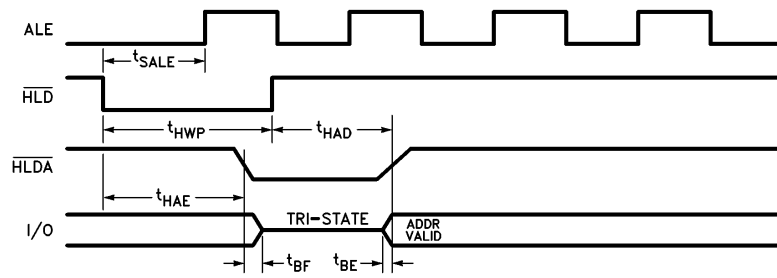
TL/DD/11046-7

FIGURE 5. Read Cycle



TL/DD/11046-8

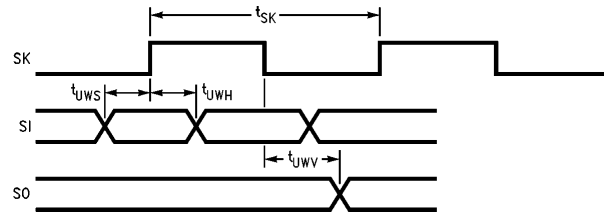
FIGURE 6. Ready Mode Timing



TL/DD/11046-9

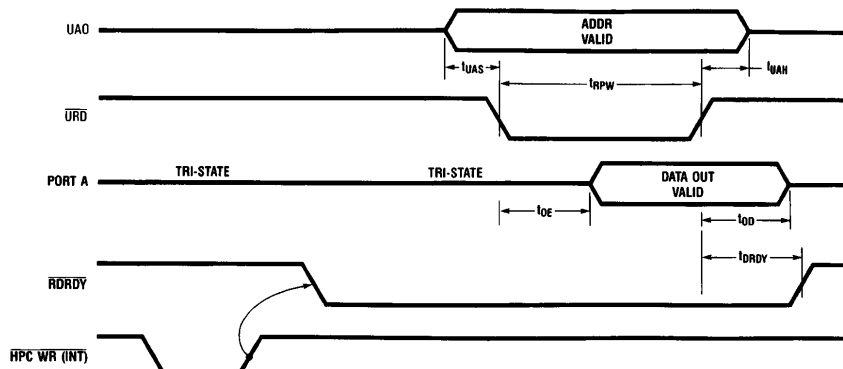
FIGURE 7. Hold Mode Timing

Timing Waveforms (Continued)



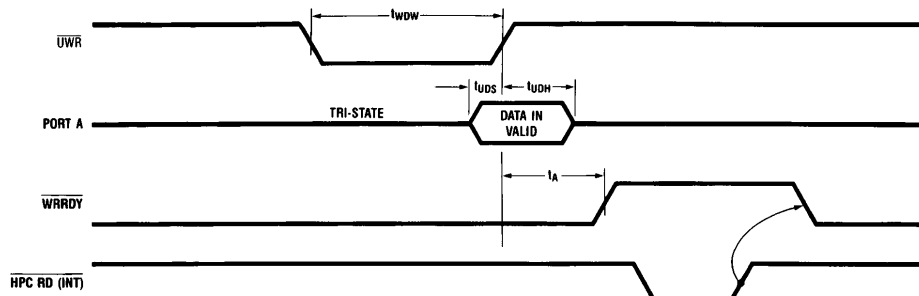
TL/DD/11046-10

FIGURE 8. MICROWIRE Setup/Hold Timing



TL/DD/11046-11

FIGURE 9. UPI Read Timing



TL/DD/11046-12

FIGURE 10. UPI Write Timing

Functional Modes of Operation

There are two primary functional modes of operation for the HPC167064.

- EPROM Mode
- Normal Running Mode

EPROM MODE

In the EPROM mode, the HPC167064 is configured to “approximately emulate” a standard NMC27C256 EPROM. Some dissimilarities do exist. The most significant one is that HPC167064 contains only 16 kbytes of programmable memory, rather than the 32 kbytes in 27C256. An HPC167064 in the EPROM mode can be programmed with a Data I/O machine.

Given below is the list of functions that can be performed by the user in the EPROM mode.

- Programming
CAUTION: Exceeding 14V on pin 1 (V_{PP}) will damage the HPC167064.
Initially, and after each erasure, all bits of the HPC EPROM are in the “1” state. Data is introduced by selectively programming “0s” into the desired bit locations. Although only “0s” will be programmed, both “1s” and “0s” can be presented in the data word. The only way to change a “0” to a “1” is by ultraviolet light erasure.
- Program/verify EPROM registers
To read data (verify) during the programming process, V_{PP} must be at 13V. When reading data after the programming process, V_{PP} can be either 13V or at V_{CC} .
- Program/verify ECON registers
There are two configuration registers ECON6 and ECON7 to emulate different family members and also to enable/disable different features in the chip. These registers are not mapped in the EPROM user space. These bytes must be programmed through a pointer register ECONA.
To prevent unintentional programming, the ECON6, 7 registers must be programmed with the assistance of this pointer register. ECONA, and externally presented address, both identify the same ECON register may be programmed.

NORMAL RUNNING MODE

In this mode, the HPC167064 executes user software in the normal manner. By default, its architecture imitates that of the HPC16064. It may be configured to emulate the HPC16083. The addressable memory map will be exactly as for the HPC16083. The WATCHDOG function monitors addresses accordingly. Thus, the HPC167064 can be used as a stand-alone emulator for both HPC16064 and HPC16083. Within this mode, the on-chip EPROM cell acts as read only memory. Each memory fetch is 16-bits wide. The HPC167064 operates to 20 MHz with 1 wait state for the on-chip memory.

The HPC167064 emulates the HPC16064 and HPC16083, except as described here.

- The value of EXM is latched on the rising edge of $\overline{\text{RESET}}$. Thus, the user may not switch from ROMed to ROMless operation or vice-versa, without another $\overline{\text{RESET}}$ pulse.
- The security logic can be used to control access to the on-chip EPROM. This feature is unique to the HPC167064. There is no corresponding mode of operation on the HPC16064 or the HPC16083.
- Specific inputs are allowed to be driven at high voltage (13V) to configure the device for programming. These high voltage inputs are unique to the HPC167064. The same inputs cannot be driven to high voltage on the HPC16064 and HPC16083 without damage to the part.
- The Port D input structure on this device is slightly different from the masked ROM HPC16083 and HPC16064. V_{IH2} min and V_{IL2} max are the same as for the masked ROM HPC16083 and HPC16064. There is a V_{IH2} max requirement for this device equal to $V_{CC} + 0.05V$. There is also a V_{IL2} min requirement for this device equal to $GND-0.05V$. The V_{IH2} max and V_{IL2} min requirement for the masked ROM devices is the Absolute Maximum Ratings of $V_{CC} + 0.5V$ and $GND-0.5V$ respectively.
- The D.C. Electrical Characteristics and A.C. Electrical Characteristics for the HPC167064, where $T_A = -55^\circ\text{C}$ to $+125^\circ\text{C}$, are guaranteed over a reduced operating voltage range of $V_{CC} \pm 5\%$. This is different from the masked ROM devices that it simulates which is $V_{CC} \pm 10\%$. These characteristics for the HPC467064, where $T_A = -0^\circ\text{C}$ to $+70^\circ\text{C}$, are guaranteed over the masked ROM operating voltage range which is $V_{CC} \pm 10\%$.
- In addition to the reduced operating voltage range for the HPC167064, the A.C. timing parameter t_{UDH} is required to be a minimum value of 25 ns. The masked ROM devices require a minimum t_{UDH} of 20 ns. This A.C. timing parameter for the HPC467064 is required to be the same as the masked ROM devices.

HPC167064 EPROM SECURITY

The HPC167064 includes security logic to provide READ and WRITE protection of the on-chip EPROM. These defined privileges are intended to deter theft, alteration, or unintentional destruction of user code. Two bits are used to define four levels of security on the HPC167064 to control access to on-chip EPROM.

Security Level 3

This is the default configuration of an erased HPC167064. READ and WRITE accesses to the on-chip EPROM or ECON registers may be accomplished without constraint in EPROM mode. READ accesses to the on-chip EPROM may be accomplished without constraint in NORMAL RUNNING mode.

Functional Modes of Operation (Continued)

Security Level 2

This security level prevents programming of the on-chip EPROM or the ECON registers thereby providing WRITE protection. Read accesses to the on-chip EPROM or ECON registers may be accomplished without constraint in EPROM. Read accesses to the on-chip EPROM may be accomplished without constraint in NORMAL RUNNING mode.

Security Level 1

This security level prevents programming of the on-chip EPROM or ECON registers—thereby providing registers write protection. Read accesses to the on-chip ECON-registers may be accomplished without constraint in EPROM mode. Read accesses to the on-chip EPROM will produce ENCRYPTED data in EPROM. READ accesses to the on-chip EPROM, during NORMAL RUNNING mode, are subject to **Runtime Memory Protection**. Under Runtime Memory Protection, only instruction opcodes stored within the on-chip EPROM are allowed to access the EPROM as operand. If any other instruction opcode attempts to use the contents of EPROM as an operand, it will receive the hex value "FF". The Runtime Memory Protection feature is designed to prevent hostile software, running from external memory or on-chip RAM, from reading secured EPROM data. Transfers of control into, or out of the on-chip EPROM (such as jump or branch) are not affected by Runtime Memory Protection. Interrupt vector fetches from EPROM proceed normally, and are not affected by Runtime Memory Protection.

Security Level 0

This security level prevents programming of the on-chip EPROM or ECON registers, thereby providing write protection. Read accesses to the on-chip ECON registers may be accomplished without constraint in EPROM mode. READ accesses to the on-chip EPROM are NOT ALLOWED in EPROM mode. Such accesses will return data value "FF" hex. Runtime Memory Protection is enforced as in security level 1.

These four levels of security help ensure that the user EPROM code is not tampered with in a test fixture and that code executing from RAM or external memory does not dump the user algorithm.

Erasure Characteristics

The erasure characteristics of the HPC167064 are such that erasure begins to occur when exposed to light with wavelengths shorter than approximately 4000 Angstroms (Å). It should be noted that sunlight and certain types of fluorescent lamps have wavelengths in the 3000Å–4000Å range.

After programming, opaque labels should be placed over the HPC167064's window to prevent unintentional erasure. Covering the window will also prevent temporary functional failure due to the generation of photo currents.

The recommended erasure procedure for the HPC167064 is exposure to short wave ultraviolet light which has a wavelength of 2537 Angstroms (Å). The integrated dose (i.e., UV intensity × exposure time) for erasure should be a minimum of 30W-sec/cm².

The HPC167064 should be placed within 1 inch of the lamp tubes during erasure. Some lamps have a filter on their tubes which should be removed before erasure. The erasure time table shows the minimum HPC167064 erasure time for various light intensities.

An erasure system should be calibrated periodically. The distance from lamp to unit should be maintained at one inch. The erasure time increases as the square of the distance. (If distance is doubled the erasure time increases by a factor of 4.) Lamps lose intensity as they age. When a lamp is changed, the distance has changed or the lamp has aged, the system should be checked to make certain full erasure is occurring.

Incomplete erasure will cause symptoms that can be misleading. Programmers, components, and even system designs have been erroneously suspected when incomplete erasure was the problem.

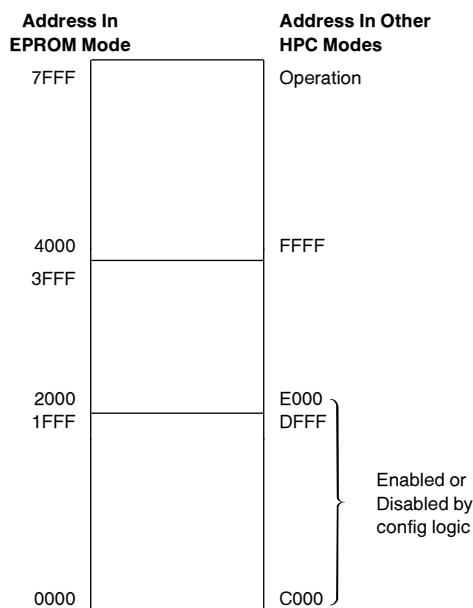
Minimum HPC167064 Erasure Time

Light Intensity (Micro-Watts/cm ²)	Erasure Time (Minutes)
15,000	36
10,000	50

Memory Map of the HPC167064

The HPC167064 has 256 bytes of on-chip user RAM and chip registers located at address 0000–01FF that is always enabled, and 256 bytes of on-chip RAM located at 0200–02FF that can be enabled or disabled. It has 8 kbytes of on-chip EPROM located at address 0E000–0FFFF that is always enabled and 8 kbytes of EPROM located at address 0C000–0DFFF that can be enabled or disabled.

The ECON6 contains two bits ROM0 and RAM0. When these bits are "1" (erased default), full 16 kbytes of ROM and 512 bytes of RAM are enabled. Programming a "0" to these bits disables the lower 8k for the EPROM and upper 256 bytes for the RAM. The ECON registers are only accessible to the user during EPROM mode.



Pin Descriptions

The HPC167064 is available only in 68-pin LDCC package.

I/O PORTS

Port A is a 16-bit bidirectional I/O port with a data direction register to enable each separate pin to be individually defined as an input or output. When accessing external memory, port A is used as the multiplexed address/data bus.

Port B is a 16-bit port with 12 bits of bidirectional I/O similar in structure to Port A. Pins B10, B11, B12 and B15 are general purpose outputs only in this mode. Port B may also be configured via a 16-bit function register BFUN to individually allow each pin to have an alternate function.

B0:	TDX	UART Data Output
B1:		
B2:	CKX	UART Clock (Input or Output)
B3:	T2IO	Timer2 I/O Pin
B4:	T3IO	Timer3 I/O Pin
B5:	SO	MICROWIRE/PLUS Output
B6:	SK	MICROWIRE/PLUS Clock (Input or Output)
B7:	HLDA	Hold Acknowledge Output
B8:	TS0	Timer Synchronous Output
B9:	TS1	Timer Synchronous Output
B10:	UA0	Address 0 Input for UPI Mode
B11:	WRRDY	Write Ready Output for UPI Mode
B12:		
B13:	TS2	Timer Synchronous Output
B14:	TS3	Timer Synchronous Output
B15:	RDRDY	Read Ready Output for UPI Mode

When accessing external memory, four bits of port B are used as follows:

B10:	ALE	Address Latch Enable Output
B11:	WR	Write Output
B12:	HBE	High Byte Enable Output/Input (sampled at reset)
B15:	RD	Read Output

Port I is an 8-bit input port that can be read as general purpose inputs and is also used for the following functions:

I0:		
I1:	NMI	Nonmaskable Interrupt Input
I2:	INT2	Maskable Interrupt/Input Capture/ \overline{URD}
I3:	INT3	Maskable Interrupt/Input Capture/ \overline{UWR}
I4:	INT4	Maskable Interrupt/Input Capture
I5:	SI	MICROWIRE/PLUS Data Input
I6:	RDX	UART Data Input
I7:		

Port D is an 8-bit input port that can be used as general purpose digital inputs.

Port P is a 4-bit output port that can be used as general purpose data, or selected to be controlled by timers 4 through 7 in order to generate frequency, duty cycle and pulse width modulated outputs.

POWER SUPPLY PINS

V _{CC1}	and	
V _{CC2}		Positive Power Supply
GND		Ground for On-Chip Logic
DGND		Ground for Output Buffers

Note: There are two electrically connected V_{CC} pins on the chip, GND and DGND are electrically isolated. Both V_{CC} pins and both ground pins must be used.

CLOCK PINS

CKI	The Chip System Clock Input
CKO	The Chip System Clock Output (inversion of CKI)

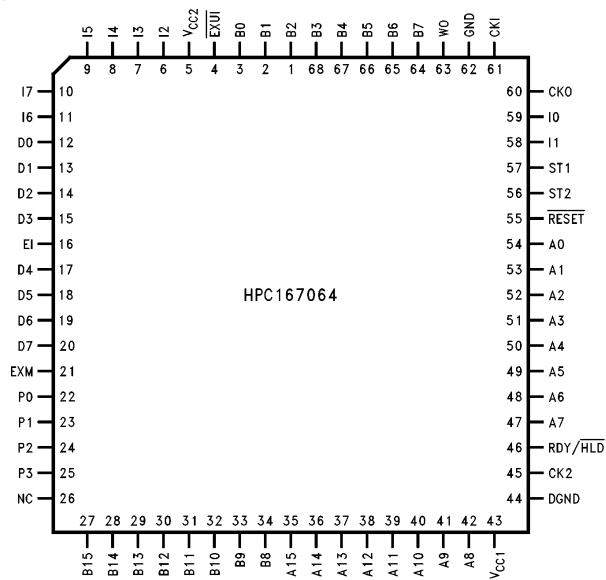
Pins CKI and CKO are usually connected across an external crystal.

CK2	Clock Output (CKI divided by 2)
-----	---------------------------------

OTHER PINS

\overline{WO}	This is an active low open drain output that signals an illegal situation has been detected by the WATCHDOG logic.
ST1	Bus Cycle Status Output: indicates first opcode fetch.
ST2	Bus Cycle Status Output: indicates machine states (skip, interrupt and first instruction cycle).
\overline{RESET}	is an active low input that forces the chip to restart and sets the ports in a TRI-STATE mode.
RDY/ \overline{HLD}	has two uses, selected by a software bit. It's either an input to extend the bus cycle for slower memories, or a HOLD request input to put the bus in a high impedance state for DMA purposes.
NC	(no connection) do not connect anything to this pin.
EXM	Has two uses. External memory enable (active high) which disables internal EPROM and maps it to external memory, and is V _{PP} during EPROM mode.
EI	External interrupt with vector address FFF1:FFF0. (Rising/falling edge or high/low level sensitive). Alternately can be configured as 4th input capture.
\overline{EXUI}	External interrupt which is internally OR'ed with the UART interrupt with vector address FFF3:FFF2 (Active Low).

Connection Diagram



TL/DD/11046-17

Top View

Order Number HPC167064, EL
See NS Package Number EL68C

Ports A & B

The highly flexible A and B ports are similarly structured. The Port A (see *Figure 11*), consists of a data register and a direction register. Port B (see *Figures 12* thru *Figure 14*) has an alternate function register in addition to the data and direction registers. All the control registers are read/write registers.

The associated direction registers allow the port pins to be individually programmed as inputs or outputs. Port pins selected as inputs are placed in a TRI-STATE mode by resetting corresponding bits in the direction register.

A write operation to a port pin configured as an input causes the value to be written into the data register, a read operation returns the value of the pin. Writing to port pins configured as outputs causes the pins to have the same value, reading the pins returns the value of the data register.

Primary and secondary functions are multiplexed onto Port B through the alternate function register (BFUN). The secondary functions are enabled by setting the corresponding bits in the BFUN register.

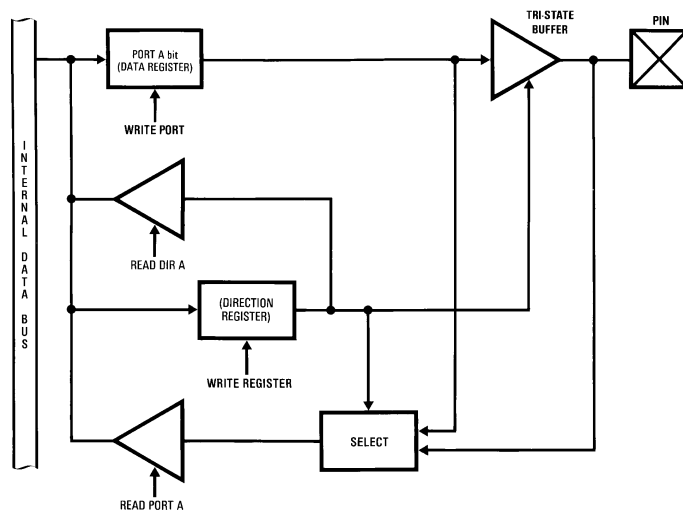
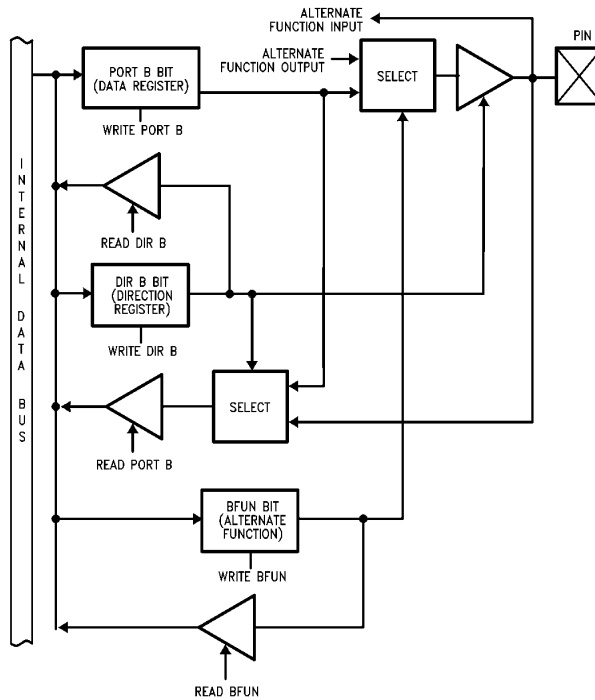


FIGURE 11. Port A: I/O Structure

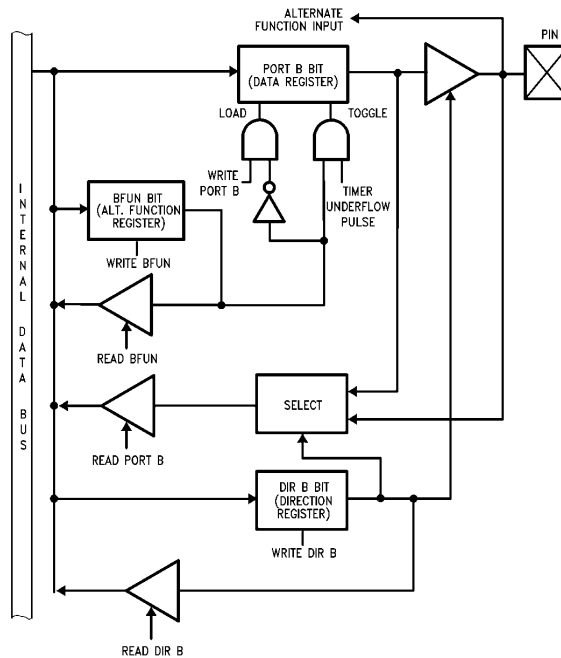
TL/DD/11046-19

Ports A & B (Continued)



TL/DD/11046-20

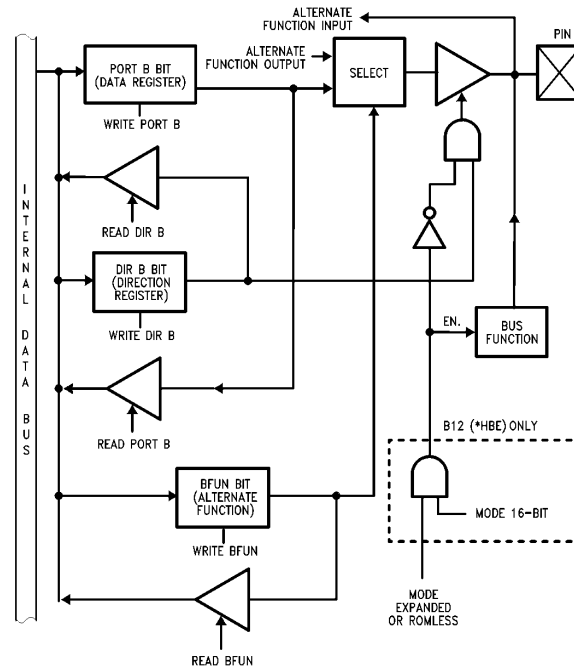
FIGURE 12. Structure of Port B Pins B0, B1, B2, B5, B6 and B7 (Typical Pins)



TL/DD/11046-21

FIGURE 13. Structure of Port B Pins B3, B4, B8, B9, B13 and B14 (Timer Synchronous Pins)

Ports A & B (Continued)



TL/DD/11046-22

FIGURE 14. Structure of Port B Pins B10, B11, B12 and B15 (Pins with Bus Control Roles)

Operating Modes

To offer the user a variety of I/O and expanded memory options, the HPC167064 has four operating modes. The various modes of operation are determined by the state of both the EXM pin and the EA bit in the PSW register. The state of the EXM pin determines whether on-chip EPROM will be accessed or external memory will be accessed within the address range of the on-chip EPROM. The on-chip EPROM range of the HPC167064 is C000 to FFFF (16 kbytes).

A logic "0" state on the EXM pin will cause the HPC device to address on-chip EPROM when the Program Counter (PC) contains addresses within the on-chip EPROM address range. A logic "1" state on the EXM pin will cause the HPC device to address memory that is external to the HPC when the PC contains on-chip EPROM addresses. The function of the EA bit is to determine the legal addressing range of the HPC device. A logic "0" state in the EA bit of the PSW register does two things—addresses are limited to the on-chip EPROM range and on-chip RAM and Register range, and the "illegal address detection" feature of the WATCH-

DOG logic is engaged. A logic "1" in the EA bit enables accesses to be made anywhere within the 64 kbytes address range and the "illegal address detection" feature of the WATCHDOG logic is disabled.

All HPC devices can be used with external memory. External memory may be any combination of RAM and EPROM. Both 8-bit and 16-bit external data bus modes are available. Upon entering an operating mode in which external memory is used, Port A becomes the Address/Data bus. Four pins of Port B become the control lines ALE, RD, WR and HBE. The High Byte Enable pin (HBE) is used in 16-bit mode to select high order memory bytes. The \overline{RD} and \overline{WR} signals are only generated if the selected address is off-chip. The 8-bit mode is selected by pulling HBE high at reset. If HBE is left floating or connected to a memory device chip select at reset, the 16-bit mode is entered. The following sections describe the operating modes of the HPC167064.

Note: The HPC devices use 16-bit words for stack memory. Therefore, when using the 8-bit mode, User's Stack must be in internal RAM.

HPC167064 Operating Modes

SINGLE CHIP NORMAL MODE

In this mode, the HPC167064 functions as a self-contained microcomputer (see *Figure 15*) with all memory (RAM and EPROM) on-chip. It can address internal memory only, consisting of 16 kbytes of EPROM (C000 to FFFF) and 512 bytes of on-chip RAM and Registers (0000 to 02FF). The "illegal address detection" feature of the WATCHDOG is enabled in the Single-Chip Normal mode and a WATCHDOG Output (\overline{WO}) will occur if an attempt is made to access addresses that are outside of the on-chip EPROM and RAM range of the device. Ports A and B are used for I/O functions and not for addressing external memory. The EXM pin and the EA bit of the PSW register must both be logic "0" to enter the Single-Chip Normal mode.

EXPANDED NORMAL MODE

The Expanded Normal mode of operation enables the HPC167064 to address external memory in addition to the on-chip ROM and RAM (see Table I). WATCHDOG illegal address detection is disabled and memory accesses may be made anywhere in the 64 kbyte address range without triggering an illegal address condition. The Expanded Normal mode is entered with the EXM pin pulled low (logic "0") and setting the EA bit in the PSW register to "1".

TABLE I. HPC167064 Operating Modes

Operating Mode	EXM Pin	EA Bit	Memory Configuration
Single-Chip Normal	0	0	C000–FFFF On-Chip
Expanded Normal	0	1	C000–FFFF On-Chip 0300–BFFF Off-Chip
Single-Chip ROMless	1	0	C000–FFFF Off-Chip
Expanded ROMless	1	1	0300–FFFF Off-Chip

SINGLE-CHIP ROMless MODE

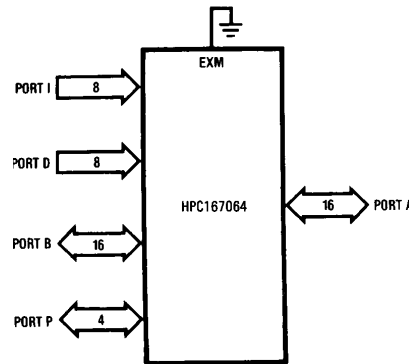
In this mode, the on-chip EPROM of the HPC167064 is not used. The address space corresponding to the on-chip EPROM is mapped into external memory so 16k of external memory may be used with the HPC167064 (see Table I). The WATCHDOG circuitry detects illegal addresses (addresses not within the on-chip EPROM and RAM range). The Single-Chip ROMless mode is entered when the EXM pin is pulled high (logic "1") and the EA bit is logic "0".

EXPANDED ROM MODE

This mode of operation is similar to Single-Chip ROMless mode in that no on-chip ROM is used, however, a full 64 kbytes of external memory may be used. The "illegal address detection" feature of WATCHDOG is disabled. The EXM pin must be pulled high (logic "1") and the EA bit in the PSW register set to "1" to enter this mode.

Wait States

The internal EPROM can be accessed at the maximum operating frequency with one wait state. With 0 wait states, internal ROM accesses are limited to $\frac{2}{3} f_C$ max. The HPC167064 provides four software selectable Wait States that allow access to slower memories. The Wait States are selected by the state of two bits in the PSW register. Additionally, the RDY input may be used to extend the instruction cycle, allowing the user to interface with slow memories and peripherals.



TL/DD/11046-23

FIGURE 15. Single-Chip Mode

Power Save Modes

Two power saving modes are available on the HPC167064: HALT and IDLE. In the HALT mode, all processor activities are stopped. In the IDLE mode, the on-board oscillator and timer T0 are active but all other processor activities are stopped. In either mode, all on-board RAM, registers and I/O are unaffected.

HALT MODE

The HPC167064 is placed in the HALT mode under software control by setting bits in the PSW. All processor activities, including the clock and timers, are stopped. In the HALT mode, power requirements for the HPC167064 are minimal and the applied voltage (V_{CC}) may be decreased without altering the state of the machine. There are two ways of exiting the HALT mode: via the \overline{RESET} or the NMI. The RESET input reinitializes the processor. Use of the NMI input will generate a vectored interrupt and resume operation from that point with no initialization. The HALT mode can be enabled or disabled by means of a control register HALT enable. To prevent accidental use of the HALT mode the HALT enable register can be modified only once.

IDLE MODE

The HPC167064 is placed in the IDLE mode through the PSW. In this mode, all processor activity, except the on-board oscillator and Timer T0, is stopped. As with the HALT mode, the processor is returned to full operation by the \overline{RESET} or NMI inputs, but without waiting for oscillator stabilization. A timer T0 overflow will also cause the HPC167064 to resume normal operation.

Note: If an NMI interrupt is received during the instruction which puts the device in Halt or Idle Mode, the device will enter that power saving mode. The interrupt will be held pending until the device exits that power saving mode. When exiting Idle mode via the T0 overflow, the NMI interrupt will be serviced when the device exits Idle. If another NMI interrupt is received during either Halt or Idle the processor will exit the power saving mode and vector to the interrupt address.

HPC167064 Interrupts

Complex interrupt handling is easily accomplished by the HPC167064's vectored interrupt scheme. There are eight possible interrupt sources as shown in Table II.

HPC167064 Interrupts (Continued)

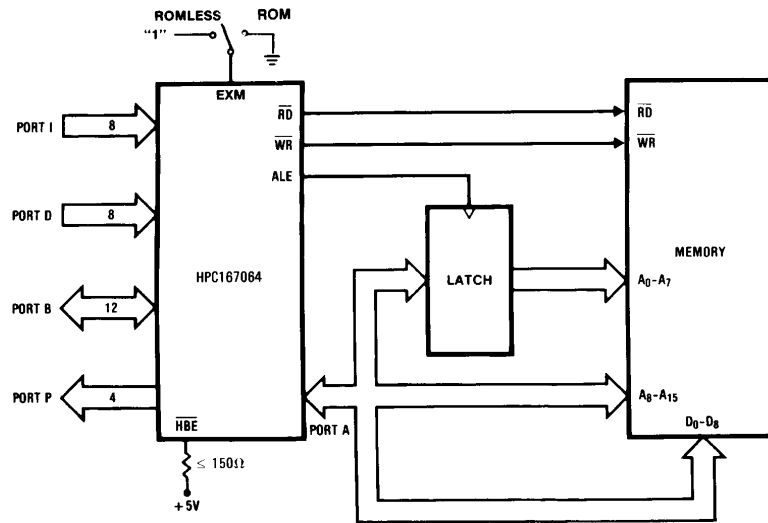


FIGURE 16. 8-Bit External Memory

TL/DD/11046-24

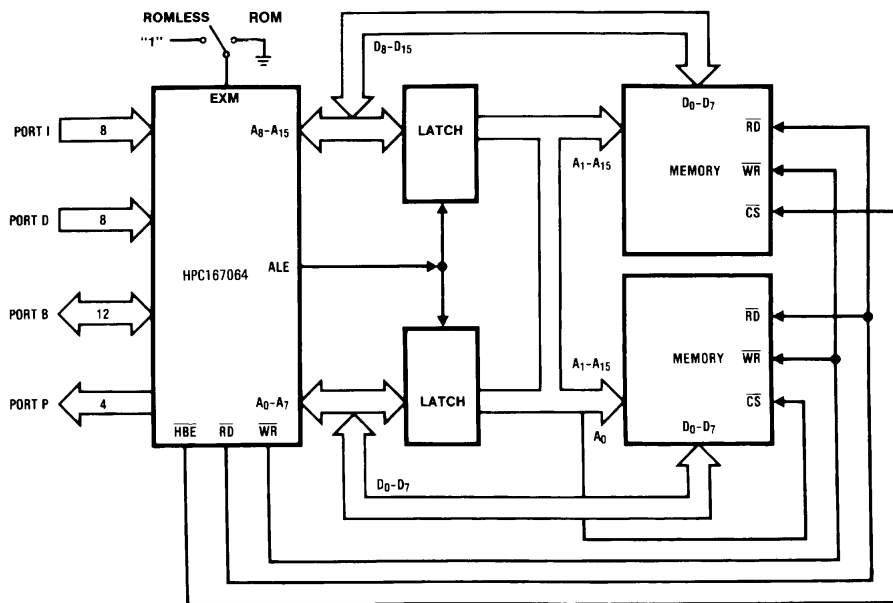


FIGURE 17. 16-Bit External Memory

TL/DD/11046-25

HPC167064 Interrupts (Continued)

TABLE II. Interrupts

Vector Address	Interrupt Source	Arbitration Ranking
FFFF:FFFE	$\overline{\text{RESET}}$	0
FFFD:FFFC	Nonmaskable external on rising edge of I1 pin	1
FFFB:FFFA	External interrupt on I2 pin	2
FFF9:FFF8	External interrupt on I3 pin	3
FFF7:FFF6	External interrupt on I4 pin	4
FFF5:FFF4	Overflow on internal timers	5
FFF3:FFF2	Internal on the UART transmit/receive complete or external on $\overline{\text{EXUI}}$	6
FFF1:FFF0	External interrupt on EI pin	7

Interrupt Arbitration

The HPC167064 contains arbitration logic to determine which interrupt will be serviced first if two or more interrupts occur simultaneously. The arbitration ranking is given in Table II. The interrupt on $\overline{\text{RESET}}$ has the highest rank and is serviced first.

Interrupt Processing

Interrupts are serviced after the current instruction is completed except for the $\overline{\text{RESET}}$, which is serviced immediately. $\overline{\text{RESET}}$ and $\overline{\text{EXUI}}$ are level-LOW-sensitive interrupts and EI is programmable for edge-(RISING or FALLING) or level-(HIGH or LOW) sensitivity. All other interrupts are edge-sensitive. NMI is positive-edge sensitive. The external interrupts on I2, I3 and I4 can be software selected to be rising or falling edge. External interrupt ($\overline{\text{EXUI}}$) is shared with UART interrupt. This interrupt is level-low sensitive. To select this interrupt disable the ERI and ETI UART interrupt bits in the ENUI register. To select the UART interrupt leave this pin floating or tie it high.

Interrupt Control Registers

The HPC167064 allows the various interrupt sources and conditions to be programmed. This is done through the various control registers. A brief description of the different control registers is given below.

INTERRUPT ENABLE REGISTER (ENIR)

$\overline{\text{RESET}}$ and the External Interrupt on I1 are non-maskable interrupts. The other interrupts can be individually enabled or disabled. Additionally, a Global Interrupt Enable Bit in the ENIR Register allows the Maskable interrupts to be collectively enabled or disabled. Thus, in order for a particular interrupt to request service, both the individual enable bit and the Global Interrupt bit (GIE) have to be set.

INTERRUPT PENDING REGISTER (IRPD)

The IRPD register contains a bit allocated for each interrupt vector. The occurrence of specified interrupt trigger conditions causes the appropriate bit to be set. There is no indication of the order in which the interrupts have been received. The bits are set independently of the fact that the interrupts may be disabled. IRPD is a Read/Write register. The bits corresponding to the maskable, external interrupts are normally cleared by the HPC167064 after servicing the interrupts.

For the interrupts from the on-board peripherals, the user has the responsibility of resetting the interrupt pending flags through software.

The NMI bit is read only and I2, I3, and I4 are designed as to only allow a zero to be written to the pending bit (writing a one has no affect). A LOAD IMMEDIATE instruction is to be the only instruction used to clear a bit or bits in the IRPD register. This allows a mask to be used, thus ensuring that the other pending bits are not affected.

INTERRUPT CONDITION REGISTER (IRCD)

Three bits of the register select the input polarity of the external interrupt on I2, I3, and I4.

Servicing the Interrupts

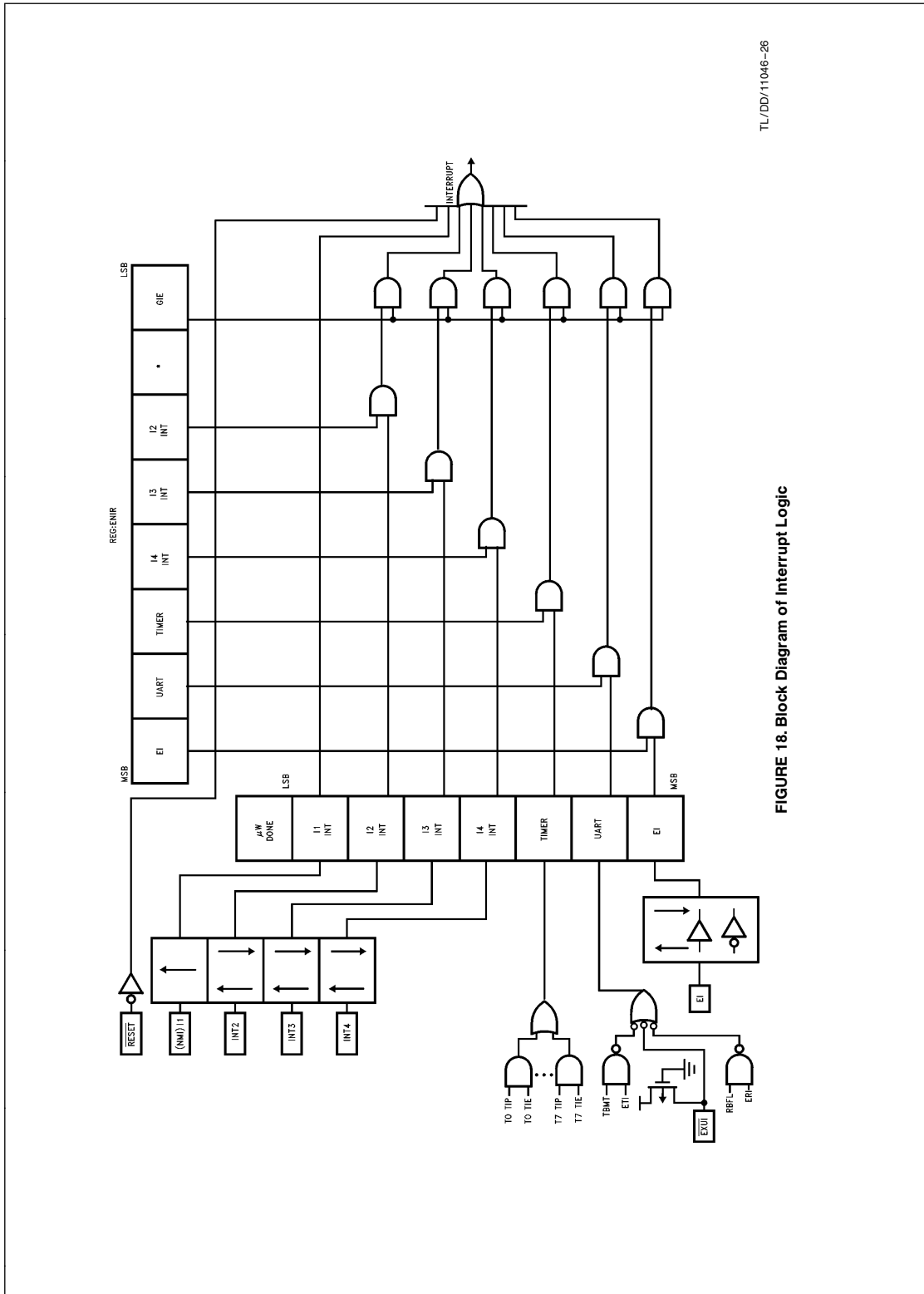
The Interrupt, once acknowledged, pushes the program counter (PC) onto the stack thus incrementing the stack pointer (SP) twice. The Global Interrupt Enable bit (GIE) is copied into the CGIE bit of the PSW register; it is then reset, thus disabling further interrupts. The program counter is loaded with the contents of the memory at the vector address and the processor resumes operation at this point. At the end of the interrupt service routine, the user does a RETI instruction to pop the stack and re-enable interrupts if the CGIE bit is set, or RET to just pop the stack if the CGIE bit is clear, and then returns to the main program. The GIE bit can be set in the interrupt service routine to nest interrupts if desired. *Figure 18* shows the Interrupt Enable Logic.

RESET

The $\overline{\text{RESET}}$ input initializes the processor and sets Ports A and B in the TRI-STATE condition and Port P in the LOW state. $\overline{\text{RESET}}$ is an active-low Schmitt trigger input. The processor vectors to FFFF:FFFE and resumes operation at the address contained at that memory location (which must correspond to an on board location). The Reset vector address must be between C000 and FFFF when emulating the HPC16064 and between E000 and FFFF when emulating the HPC16003.

Timer Overview

The HPC167064 contains a powerful set of flexible timers enabling the HPC167064 to perform extensive timer functions not usually associated with microcontrollers. The HPC167064 contains nine 16-bit timers. Timer T0 is a free-running timer, counting up at a fixed CKI/16



TL/DD/11046-26

FIGURE 18. Block Diagram of Interrupt Logic

Timer Overview (Continued)

(Clock Input/16) rate. It is used for WATCHDOG logic, high speed event capture, and to exit from the IDLE mode. Consequently, it cannot be stopped or written to under software control. Timer T0 permits precise measurements by means of the capture registers I2CR, I3CR, and I4CR. A control bit in the register TMMODE configures timer T1 and its associated register R1 as capture registers I3CR and I2CR. The capture registers I2CR, I3CR, and I4CR respectively, record the value of timer T0 when specific events occur on the interrupt pins I2, I3, and I4. The control register IRCD programs the capture registers to trigger on either a rising edge or a falling edge of its respective input. The specified edge can also be programmed to generate an interrupt (see Figure 19).

The HPC167064 provides an additional 16-bit free running timer, T8, with associated input capture register EICR (External Interrupt Capture Register) and Configuration Register, EICON. EICON is used to select the mode and edge of the EI pin. EICR is a 16-bit capture register which records the value of T8 (which is identical to T0) when a specific event occurs on the EI pin.

The timers T2 and T3 have selectable clock rates. The clock input to these two timers may be selected from the following two sources: an external pin, or derived internally by

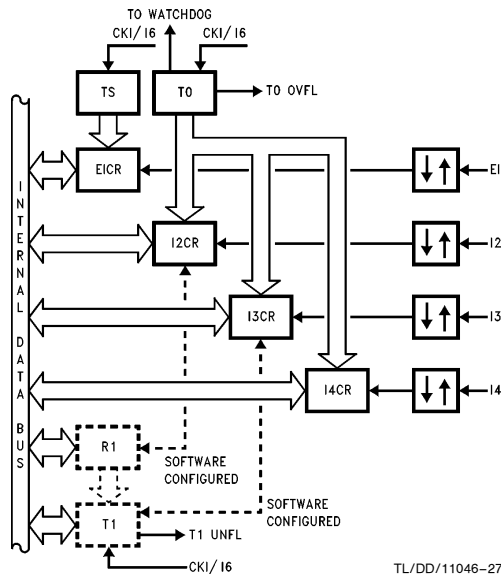


FIGURE 19. Timers T0, T1 and T8 with Four Input Capture Registers

dividing the clock input. Timer T2 has additional capability of being clocked by the timer T3 underflow. This allows the user to cascade timers T3 and T2 into a 32-bit timer/counter. The control register DIVBY programs the clock input to timers T2 and T3 (see Figure 20).

The timers T1 through T7 in conjunction with their registers form Timer-Register pairs. The registers hold the pulse duration values. All the Timer-Register pairs can be read from or written to. Each timer can be started or stopped under software control. Once enabled, the timers count down, and upon underflow, the contents of its associated register are automatically loaded into the timer.

SYNCHRONOUS OUTPUTS

The flexible timer structure of the HPC167064 simplifies pulse generation and measurement. There are four synchronous timer outputs (TS0 through TS3) that work in conjunction with the timer T2. The synchronous timer outputs can be used either as regular outputs or individually programmed to toggle on timer T2 underflows (see Figure 20).

Timer/register pairs 4–7 form four identical units which can generate synchronous outputs on Port P (see Figure 21).

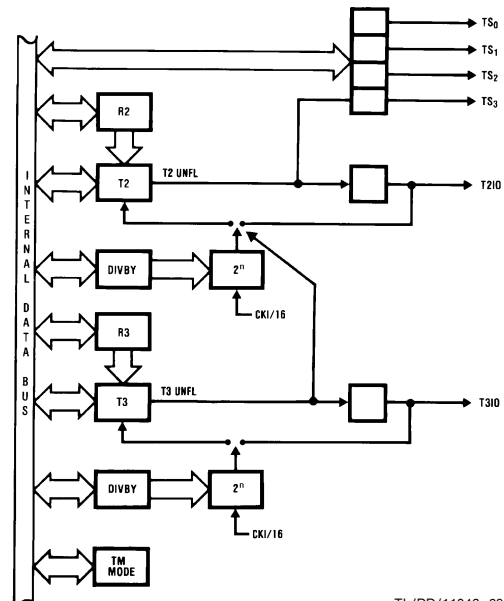


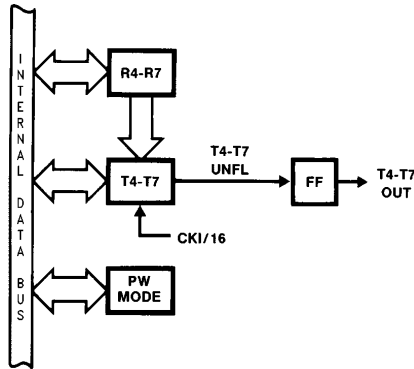
FIGURE 20. Timers T2–T3 Block

Timer Overview (Continued)

Maximum output frequency for any timer output can be obtained by setting timer/register pair to zero. This then will produce an output frequency equal to $\frac{1}{2}$ the frequency of the source used for clocking the timer.

Timer Registers

There are four control registers that program the timers. The divide by (DIVBY) register programs the clock input to timers T2 and T3. The timer mode register (TMMODE) contains control bits to start and stop timers T1 through T3. It also contains bits to latch, acknowledge and enable interrupts from timers T0 through T3. The control register PWMODE similarly programs the pulse width timers T4 through T7 by allowing them to be started, stopped, and to latch and enable interrupts on underflows. The PORTP register contains bits to preset the outputs and enable the synchronous timer output functions.



TL/DD/11046-29

FIGURE 21. Timers T4-T7 Block

Timer Applications

The use of Pulse Width Timers for the generation of various waveforms is easily accomplished by the HPC167064.

Frequencies can be generated by using the timer/register pairs. A square wave is generated when the register value is a constant. The duty cycle can be controlled simply by changing the register value.

Synchronous outputs based on Timer T2 can be generated on the 4 outputs TS0-TS3. Each output can be individually programmed to toggle on T2 underflow. Register R2 contains the time delay between events. Figure 23 is an example of synchronous pulse train generation.

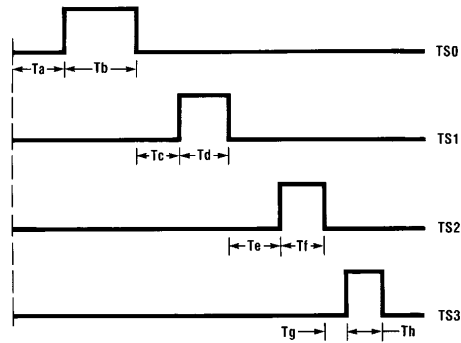


TL/DD/11046-31

FIGURE 22. Square Wave Frequency Generation

WATCHDOG Logic

The WATCHDOG Logic monitors the operations taking place and signals upon the occurrence of any illegal activity.



TL/DD/11046-30

FIGURE 23. Synchronous Pulse Generation

The illegal conditions that trigger the WATCHDOG logic are potentially infinite loops and illegal addresses. Should the WATCHDOG register not be written to before Timer T0 overflows twice, or more often than once every 4096 counts, an infinite loop condition is assumed to have occurred. An illegal condition also occurs when the processor generates an illegal address when in the Single-Chip modes.* Any illegal condition forces the WATCHDOG Output (WO) pin low. The WO pin is an open drain output and can be connected to the RESET or NMI inputs or to the users external logic.

*Note: See Operating Modes for details.

MICROWIRE/PLUS

MICROWIRE/PLUS is used for synchronous serial data communications (see Figure 24). MICROWIRE/PLUS has an 8-bit parallel-loaded, serial shift register using SI as the input and SO as the output. SK is the clock for the serial shift register (SIO). The SK clock signal can be provided by an internal or external source. The internal clock rate is programmable by the DIVBY register. A DONE flag indicates when the data shift is completed.

The MICROWIRE/PLUS capability enables it to interface with any of National Semiconductor's MICROWIRE peripherals (i.e., A/D converters, display drivers, EEPROMs).

MICROWIRE/PLUS Operation

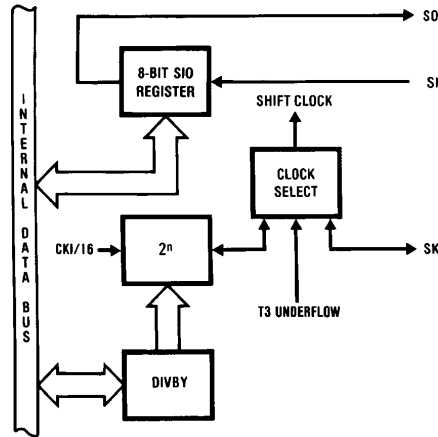
The HPC167064 can enter the MICROWIRE/PLUS mode as the master or a slave. A control bit in the IRCD register determines whether the HPC167064 is the master or slave. The shift clock is generated when the HPC167064 is configured as a master. An externally generated shift clock on the SK pin is used when the HPC167064 is configured as a slave. When the HPC167064 is a master, the DIVBY register programs the frequency of the SK clock. The DIVBY register allows the SK clock frequency to be programmed in 15 selectable steps from 64 Hz to 1 MHz with CKI at 16.0 MHz.

The contents of the SIO register may be accessed through any of the memory access instructions. Data waiting to be transmitted in the SIO register is clocked out on the falling edge of the SK clock. Serial data on the SI pin is clocked in on the rising edge of the SK clock.

MICROWIRE/PLUS Application

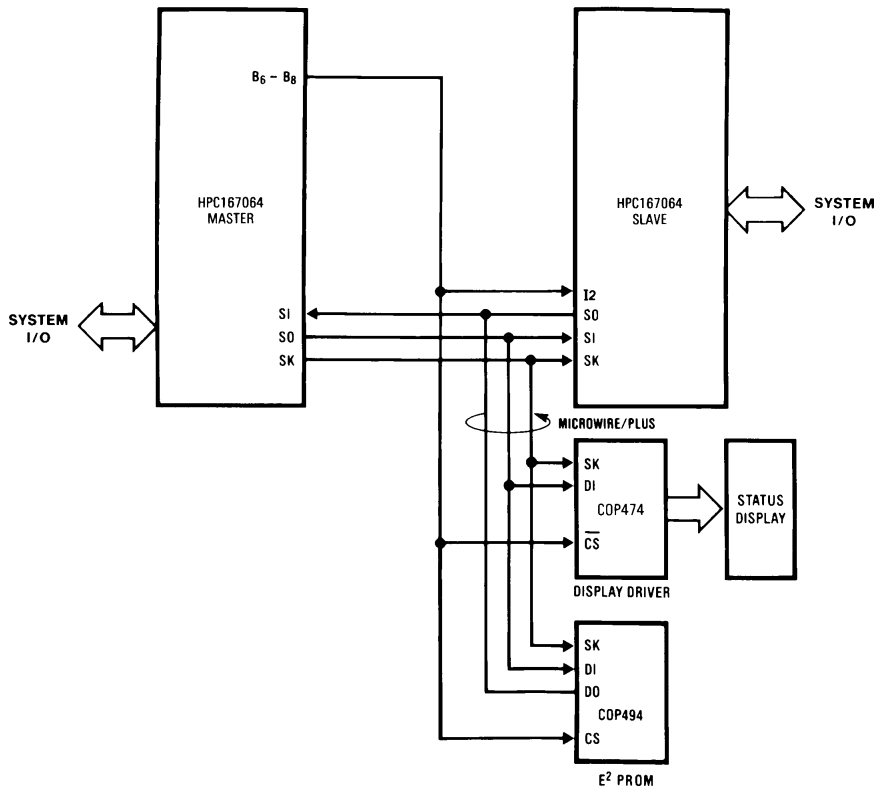
Figure 25 illustrates a MICROWIRE/PLUS arrangement for an automotive application. The microcontroller-based system could be used to interface to an instrument cluster and various parts of the automobile. The diagram shows two HPC167064 microcontrollers interconnected to other MICROWIRE peripherals. HPC167064 1 is set up as the master and initiates all data transfers. HPC167064 2 is set up as a slave answering to the master.

The master microcontroller interfaces the operator with the system and could also manage the instrument cluster in an automotive application. Information is visually presented to the operator by means of a LCD display controlled by the COP472 display driver. The data to be displayed is sent serially to the COP472 over the MICROWIRE/PLUS link. Data such as accumulated mileage could be stored and retrieved from the EEPROM COP494. The slave HPC167064 could be used as a fuel injection processor and generate timing signals required to operate the fuel valves. The master processor could be used to periodically send updated values to the slave via the MICROWIRE/PLUS link. To speed up the response, chip select logic is implemented by connecting an output from the master to the external interrupt input on the slave.



TL/DD/11046-32

FIGURE 24. MICROWIRE/PLUS



TL/DD/11046-33

FIGURE 25. MICROWIRE/PLUS Application

HPC167064 UART

The HPC167064 contains a software programmable UART. The UART (see *Figure 26*) consists of a transmit shift register, a receiver shift register and five addressable registers, as follows: a transmit buffer register (TBUF), a receiver buffer register (RBUF), a UART control and status register (ENU), a UART receive control and status register (ENUR) and a UART interrupt and clock source register (ENUI). The ENUI register contains flags for transmit and receive functions; this register also determines the length of the data frame (8 or 9 bits) and the value of the ninth bit in transmission. The ENUR register flags framing and data overrun errors while the UART is receiving. Other functions of the ENUR register include saving the ninth bit received in the data frame and enabling or disabling the UART's Attention Mode of operation. The determination of an internal or external clock source is done by the ENUI register, as well as selecting the number of stop bits and enabling or disabling transmit and receive interrupts.

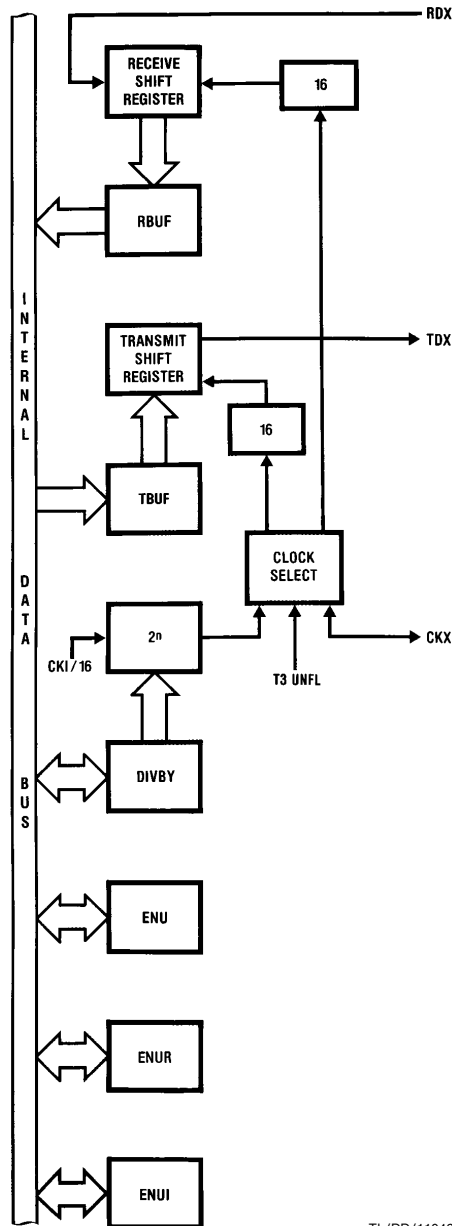
The baud rate clock for the Receiver and Transmitter can be selected for either an internal or external source using two bits in the ENUI register. The internal baud rate is programmed by the DIVBY register. The baud rate may be selected from a range of 8 Hz to 128 kHz in binary steps or T3 underflow. By selecting a 9.83 MHz crystal, all standard baud rates from 75 baud to 38.4 kBaud can be generated. The external baud clock source comes from the CKX pin. The Transmitter and Receiver can be run at different rates by selecting one to operate from the internal clock and the other from an external source.

The HPC167064 UART supports two data formats. The first format for data transmission consists of one start bit, eight data bits and one or two stop bits. The second data format for transmission consists of one start bit, nine data bits, and one or two stop bits. Receiving formats differ from transmission only in that the Receiver always requires only one stop bit in a data frame.

UART Wake-Up Mode

The HPC167064 UART features a Wake-Up Mode of operation. This mode of operation enables the HPC167064 to be networked with other processors. Typically in such environments, the messages consist of addresses and actual data. Addresses are specified by having the ninth bit in the data frame set to 1. Data in the message is specified by having the ninth bit in the data frame reset to 0.

The UART monitors the communication stream looking for addresses. When the data word with the ninth bit set is received, the UART signals the HPC167064 with an interrupt. The processor then examines the content of the receiver buffer to decide whether it has been addressed and whether to accept subsequent data.



TL/DD/11046-34

FIGURE 26. UART Block Diagram

Universal Peripheral Interface

The Universal Peripheral Interface (UPI) allows the HPC167064 to be used as an intelligent peripheral to another processor. The UPI could thus be used to tightly link two HPC167064's and set up systems with very high data exchange rates. Another area of application could be where a HPC167064 is programmed as an intelligent peripheral to a host system such as the Series 32000® microprocessor. *Figure 27* illustrates how a HPC167064 could be used as an intelligent peripheral for a Series 32000-based application.

The interface consists of a Data Bus (port A), a Read Strobe (\overline{URD}), a Write Strobe (\overline{UWR}), a Read Ready Line (\overline{RDRDY}), a Write Ready Line (\overline{WRRDY}) and one Address Input ($UA0$). The data bus can be either eight or sixteen bits wide.

The \overline{URD} and \overline{UWR} inputs may be used to interrupt the HPC167064. The \overline{RDRDY} and \overline{WRRDY} outputs may be used to interrupt the host processor.

The UPI contains an Input Buffer (IBUF), an Output Buffer (OBUF) and a Control Register (UPIC). In the UPI mode, Port A on the HPC167064 is the data bus. UPI can only be used if the HPC167064 is in the Single-Chip mode.

Shared Memory Support

Shared memory access provides a rapid technique to exchange data. It is effective when data is moved from a peripheral to memory or when data is moved between blocks of memory. A related area where shared memory access proves effective is in multiprocessing applications where two CPUs share a common memory block. The HPC167064 supports shared memory access with two pins. The pins are the $\overline{RDY}/\overline{HLD}$ input pin and the $\overline{HLD\bar{A}}$ output pin. The user can software select either the Hold or Ready function by the state of a control bit. The $\overline{HLD\bar{A}}$ output is multiplexed onto Port B.

The host uses DMA to interface with the HPC167064. The host initiates a data transfer by activating the \overline{HLD} input of the HPC167064. In response, the HPC167064 places its system bus in a TRI-STATE Mode, freeing it for use by the host. The host waits for the acknowledge signal ($\overline{HLD\bar{A}}$) from the HPC167064 indicating that the system bus is free. On receiving the acknowledge, the host can rapidly transfer data into, or out of, the shared memory by using a conventional DMA controller. Upon completion of the message transfer, the host removes the HOLD request and the HPC167064 resumes normal operations.

To insure proper operation, the interface logic shown is recommended as the means for enabling and disabling the user's bus. *Figure 28* illustrates an application of the shared memory interface between the HPC167064 and a Series 32000 system.

Memory

The HPC167064 has been designed to offer flexibility in memory usage. A total address space of 64 kbytes can be addressed with 8 kbytes of EPROM and 512 bytes of RAM available on the chip itself. The EPROM may contain program instructions, constants or data. The EPROM and RAM share the same address space allowing instructions to be executed out of RAM.

Program memory addressing is accomplished by the 16-bit program counter on a byte basis. Memory can be addressed directly by instructions or indirectly through the B, X and SP registers. Memory can be addressed as words or bytes. Words are always addressed on even-byte boundaries. The HPC167064 uses memory-mapped organization to support registers, I/O and on-chip peripheral functions.

The HPC167064 memory address space extends to 64 kbytes and registers and I/O are mapped as shown in Table III and Table IV.

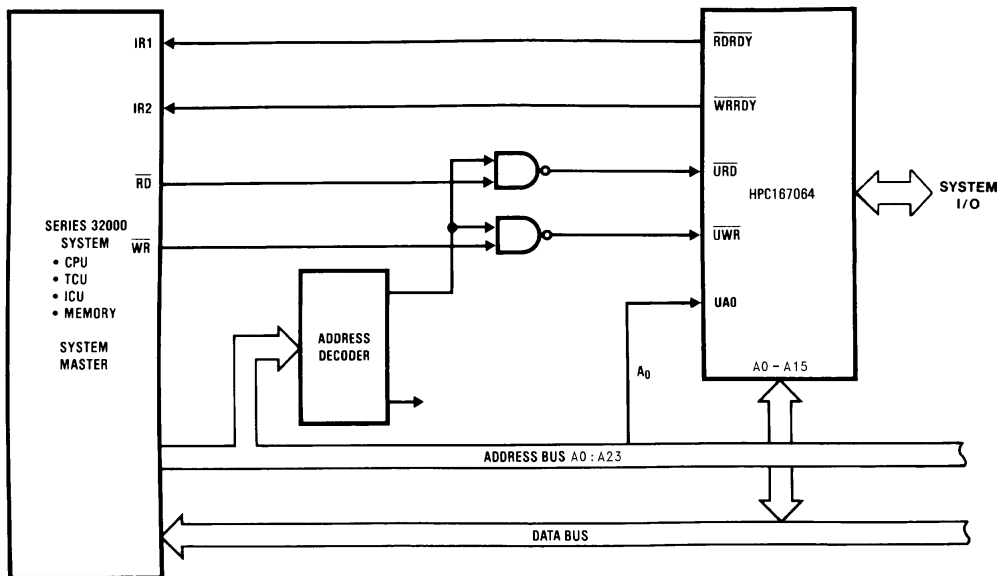
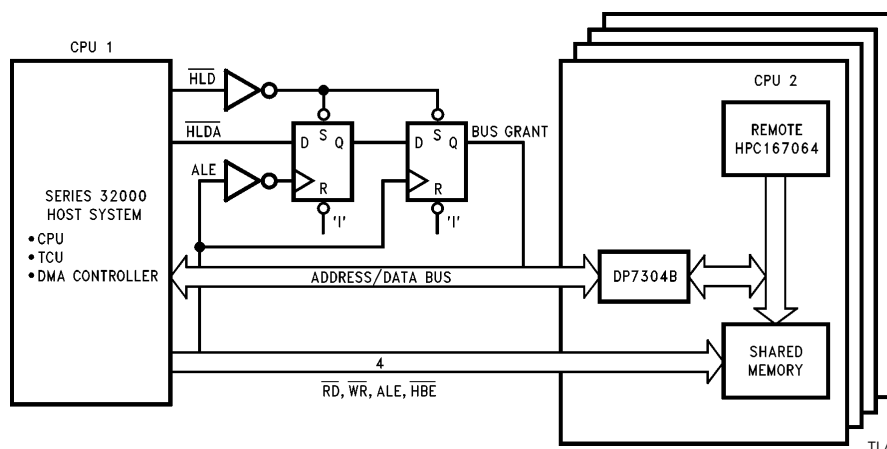


FIGURE 27. HPC167064 as a Peripheral (UPI Interface to Series 32000 Application)

TL/DD/11046-35

Shared Memory Support (Continued)



TL/DD/11046-36

FIGURE 28. Shared Memory Application (HPC167064 Interface to Series 32000 System)

Design Considerations

TABLE III. Memory Map of HPC167064 Emulating an HPC16064

FFFF:FFF0	Interrupt Vectors	User Memory	0128	ENUR Register	UART	
FFEF:FFD0	JSRP Vectors		0126	TBUF Register		
FFCF:FFCE	On-Chip ROM		0124	RBUF Register		
: :			0122	ENUI Register		
C001:C000			0120	ENU Register		
BFFF:BFEE	External Expansion Memory	0104	Port D Input Register	Ports A & B Control		
: :		00F5:00F4	BFUN Register			
0301:0300	: :	00F3:00F2	DIR B Register	Ports A & B Control		
02FF:02FE	On-Chip RAM	00F1:00F0	DIR A Register/IBUF			
: :		00E6	UPIC Register	UPI Control		
01C1:01C0		: :	00E3:00E2	Port B	Ports A & B	
0195:0194	WATCHDOG Register	00E1:00E0	Port A/OBUF			
0192	T0CON Register	Timer Block T0:T3	00DE	Reserved	Port Control & Interrupt Control Registers	
0191:0190	TMMODE Register		00DD:00DC	HALT Enable Register		
018F:018	DIVBY Register		00D8	Port I Input Register		
018D:018C	T3 Timer		00D6	SIO Register		
018B:018A	R3 Register		00D4	IRCD Register		
0189:0188	T2 Timer		00D2	IRPD Register		
0187:0186	R2 Register		00D0	ENIR Register		
0185:0184	I2CR Register/ R1		00CF:00CE	X Register		HPC Core Registers
0183:0182	I3CR Register/ T1		00CD:00CC	B Register		
0181:0180	I4CR Register		00CB:00CA	K Register		
015E:015F	EICR	00C9:00C8	A Register			
015C	EICON	00C7:00C6	PC Register			
0153:0152	Port P Register	00C5:00C4	SP Register			
0151:0150	PWMODE Register	00C3:00C2	Reserved	User RAM		
014F:014E	R7 Register	00C0	PSW Register			
014D:014C	T7 Timer	00BF:00BE	On-Chip RAM	User RAM		
014B:014A	R6 Register	: :	: :			
0149:0148	T6 Timer	0001:0000	: :			
0147:0146	R5 Register					
0145:0144	T5 Timer					
0143:0142	R4 Register					
0141:0140	T4 Timer					

Design Considerations (Continued)

TABLE IV. Memory Map of HPC167064 Emulating an HPC16083

FFFF:FFF0 FFEF:FFD0 FFCF:FFCE : : E001:E000	Interrupt Vectors JSRP Vectors } On-Chip EPROM	User Memory	0128 0126 0124 0122 0120	ENUR Register TBUF Register RBUF Register ENUI Register ENU Register	UART
DFFF:DFFE : : 0201:0200	} External Expansion Memory		0104	Port D Input Register	
01FF:01FE : : 01C1:01C0	} On-Chip RAM	User RAM	00F5:00F4 00F3:00F2 00F1:00F0	BFUN Register DIR B Register DIR A Register /IBUF	Ports A & B Control
0195:0194	WATCHDOG Register	WATCHDOG Logic	00E6	UPIC Register	UPI Control
0192 0191:0190 018F:018E 018D:018C 018B:018A 0189:0188 0187:0186 0185:0184 0183:0182 0181:0180	T0CON Register TMMODE Register DIVBY Register T3 Timer R3 Register T2 Timer R2 Register I2CR Register/R1 I3CR Register/T1 I4CR Register	Timer Block T0:T3	00E3:00E2 00E1:00E0	Port B Port A/OBUF	Ports A & B
015E:015F 015C 0153:0152 0151:0150 014F:014E 014D:014C 014B:014A 0149:0148 0147:0146 0145:0144 0143:0142 0141:0140	EICR EICON Port P Register PWMODE Register R7 Register T7 Timer R6 Register T6 Timer R5 Register T5 Timer R4 Register T4 Timer	Timer Block T4:T7	00DE 00DD:00DC 00D8 00D6 00D4 00D2 00D0	Reserved HALT Enable Register Port I Input Register SIO Register IRCD Register IRPD Register ENIR Register	Port Control & Interrupt Control Registers
			00CF:00CE 00CD:00CC 00CB:00CA 00C9:00C8 00C7:00C6 00C5:00C4 00C3:00C2 00C0	X Register B Register K Register A Register PC Register SP Register Reserved PSW Register	HPC Core Registers
			00BF:00BE : : 0001:0000	On-Chip RAM	User RAM

Design Considerations (Continued)

Designs using the HPC family of 16-bit high speed CMOS microcontrollers need to follow some general guidelines on usage and board layout.

Floating inputs are a frequently overlooked problem. CMOS inputs have extremely high impedance and, if left open, can float to any voltage. You should thus tie unused inputs to V_{CC} or ground, either through a resistor or directly. Unlike the inputs, unused output should be left floating to allow the output to switch without drawing any DC current.

To reduce voltage transients, keep the supply line's parasitic inductances as low as possible by reducing trace lengths, using wide traces, ground planes, and by decoupling the supply with bypass capacitors. In order to prevent additional voltage spiking, this local bypass capacitor must exhibit low inductive reactance. You should therefore use high frequency ceramic capacitors and place them very near the IC to minimize wiring inductance.

- Keep V_{CC} bus routing short. When using double sided or multilayer circuit boards, use ground plane techniques.
- Keep ground lines short, and on PC boards make them as wide as possible, even if trace width varies. Use separate ground traces to supply high current devices such as relay and transmission line drivers.
- In systems mixing linear and logic functions and where supply noise is critical to the analog components' performance, provide separate supply buses or even separate supplies.
- If you use local regulators, bypass their inputs with a tantalum capacitor of at least 1 μF and bypass their outputs with a 10 μF to 50 μF tantalum or aluminum electrolytic capacitor.
- If the system uses a centralized regulated power supply, use a 10 μF to 20F tantalum electrolytic capacitor or a 50 μF to 100 μF aluminum electrolytic capacitor to decouple the V_{CC} bus connected to the circuit board.
- Provide localized decoupling. For random logic, a rule of thumb dictates approximately 10 nF (spaced within 12 cm) per every two to five packages, and 100 nF for every 10 packages. You can group these capacitances, but it's more effective to distribute them among the ICs. If the design has a fair amount of synchronous logic with outputs that tend to switch simultaneously, additional decoupling might be advisable. Octal flip-flop and buffers in bus-oriented circuits might also require more decoupling. Note that wire-wrapped circuits can require more decoupling than ground plane or multilayer PC boards.

A recommended crystal oscillator circuit to be used with the HPC is shown in *Figure 29*. See table for recommended component values. The recommended values given in Table V have yielded consistent results and are made to match a crystal with a 20 pF load capacitance, with some small allowance for layout capacitance.

A recommended layout for the oscillator network should be as close to the processor as physically possible, entirely within 1" distance. This is to reduce lead inductance from long PC traces, as well as interference from other components, and reduce trace capacitance. The layout contains a large ground plane either on the top or bottom surface of the board to provide signal shielding, and a convenient location to ground both the HPC, and the case of the crystal.

It is very critical to have an extremely clean power supply for the HPC crystal oscillator. Ideally one would like a V_{CC} and ground plane that provide low inductance power lines to the chip. The power planes in the PC board should be decoupled with three decoupling capacitors as close to the chip as possible. A 1.0 μF , a 0.1F, and a 0.001F dipped mica or ceramic cap should be mounted as close to the HPC as is physically possible on the board, using the shortest leads, or surface mount components. This should provide a stable power supply, and noiseless ground plane which will vastly improve the performance of the crystal oscillator network.

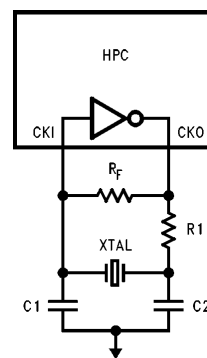
TABLE V. HPC Oscillator

XTAL Frequency (MHz)	R_1 (Ω)
2	1500
4	1200
6	910
8	750
10	600
12	470
14	390
16	300
18	220
20	180
22	150
24	120
26	100
28	75
30	62

$R_F = 3.3 \text{ M}\Omega$
 $C_1 = 27 \text{ pF}$
 $C_2 = 33 \text{ pF}$

XTAL Specifications: The crystal used was an M-TRON Industries MP-1 Series XTAL. "AT" cut, parallel resonant.

$C_L = 20 \text{ pF}$
 Series Resistance is
 25 Ω @ 25 MHz
 40 Ω @ 10 MHz
 600 Ω @ 2 MHz



TL/DD/11046-37

FIGURE 29. Recommended Crystal Circuit

HPC167064 CPU

The HPC167064 CPU has a 16-bit ALU and six 16-bit registers.

Arithmetic Logic Unit (ALU)

The ALU is 16 bits wide and can do 16-bit add, subtract and shift or logic AND, OR and exclusive OR in one timing cycle. The ALU can also output the carry bit to a 1-bit C register.

Accumulator (A) Register

The 16-bit A register is the source and destination register for most I/O, arithmetic, logic and data memory access operations.

Address (B and X) Registers

The 16-bit B and X registers can be used for indirect addressing. They can automatically count up or down to sequence through data memory.

Boundary (K) Register

The 16-bit K register is used to set limits in repetitive loops of code as register B sequences through data memory.

Stack Pointer (SP) Register

The 16-bit SP register is the pointer that addresses the stack. The SP register is incremented by two for each push or call and decremented by two for each pop or return. The stack can be placed anywhere in user memory and be as deep as the available memory permits.

Program (PC) Register

The 16-bit PC register addresses program memory.

Addressing Modes

ADDRESSING MODES—ACCUMULATOR AS DESTINATION

Register Indirect

This is the "normal" mode of addressing for the HPC167064 (instructions are single-byte). The operand is the memory addressed by the B register (or X register for some instructions).

Direct

The instruction contains an 8-bit or 16-bit address field that directly points to the memory for the operand.

Indirect

The instruction contains an 8-bit address field. The contents of the WORD addressed points to the memory for the operand.

Indexed

The instruction contains an 8-bit address field and an 8- or 16-bit displacement field. The contents of the WORD addressed is added to the displacement to get the address of the operand.

Immediate

The instruction contains an 8-bit or 16-bit immediate field that is used as the operand.

Register Indirect (Auto Increment and Decrement)

The operand is the memory addressed by the X register. This mode automatically increments or decrements the X register (by 1 for bytes and by 2 for words).

Register Indirect (Auto Increment and Decrement) with Conditional Skip

The operand is the memory addressed by the B register. This mode automatically increments or decrements the B register (by 1 for bytes and by 2 for words). The B register is then compared with the K register. A skip condition is generated if B goes past K.

ADDRESSING MODES—DIRECT MEMORY AS DESTINATION

Direct Memory to Direct Memory

The instruction contains two 8- or 16-bit address fields. One field directly points to the source operand and the other field directly points to the destination operand.

Immediate to Direct Memory

The instruction contains an 8- or 16-bit address field and an 8- or 16-bit immediate field. The immediate field is the operand and the direct field is the destination.

Double Register Indirect Using the B and X Registers

Used only with Reset, Set and IF bit instructions; a specific bit within the 64 kbyte address range is addressed using the B and X registers. The address of a byte of memory is formed by adding the contents of the B register to the most significant 13 bits of the X register. The specific bit to be modified or tested within the byte of memory is selected using the least significant 3 bits of register X.

HPC Instruction Set Description

Mnemonic	Description	Action
ARITHMETIC INSTRUCTIONS		
ADD	Add	MA + Mem1 → MA carry → C
ADC	Add with carry	MA + Mem1 + CMA carry → C
ADDS	Add short imm8	A + imm8 → A carry → C
DADC	Decimal add with carry	MA + Mem1 + C → MA (Decimal) carry → C
SUBC	Subtract with carry	MA - Mem1 + C → MA carry → C
DSUBC	Decimal subtract w/carry	MA - Mem1 + C → MA (Decimal) carry → C
MULT	Multiply (unsigned)	MA * Mem1 → MA & X, 0 → K, 0 → C
DIV	Divide (unsigned)	MA / Mem1 → MA, rem → X, 0 → K, 0 → C
DIVD	Divide Double Word (unsigned)	X & MA / Mem1 → MA, rem → X, 0 → K, carry → C
IFEQ	If equal	Compare MA & Mem1, Do next if equal
IFGT	If greater than	Compare MA & Mem1, Do next if MA > Mem1
AND	Logical AND	MA and Mem1 → MA
OR	Logical OR	MA or Mem1 → MA
XOR	Logical Exclusive-OR	MA xor Mem1 → MA
MEMORY MODIFY INSTRUCTIONS		
INC	Increment	Mem + 1 → Mem
DECSZ	Decrement, skip if 0	Mem - 1 → Mem, Skip next if Mem = 0

HPC Instruction Set Description (Continued)

Mnemonic	Description	Action
BIT INSTRUCTIONS		
SBIT	Set bit	1 → Mem.bit
RBIT	Reset bit	0 → Mem.bit
IFBIT	If bit	If Mem.bit is true, do next instr.
MEMORY TRANSFER INSTRUCTIONS		
LD	Load	Mem1 → MA
	Load, incr/decr X	Mem(X) → A, X ± 1 (or 2) → X
ST	Store to Memory	A → Mem
X	Exchange	A ↔ Mem
	Exchange, incr/decr X	A ↔ Mem(X), X ± 1 (or 2) → X
PUSH	Push Memory to Stack	W → W(SP), SP + 2 → SP
POP	Pop Stack to Memory	SP - 2 → SP, W(SP) → W
LDS	Load A, incr/decr B, Skip on condition	Mem(B) → A, B ± 1 (or 2) → B, Skip next if B greater/less than K
XS	Exchange, incr/decr B, Skip on condition	Mem(B) ↔ A, B ± 1 (or 2) → B, Skip next if B greater/less than K
REGISTER LOAD IMMEDIATE INSTRUCTIONS		
LD B	Load B immediate	imm → B
LD K	Load K immediate	imm → K
LD X	Load X immediate	imm → X
LD BK	Load B and K immediate	imm → B, imm → K
ACCUMULATOR AND C INSTRUCTIONS		
CLR A	Clear A	0 → A
INC A	Increment A	A + 1 → A
DEC A	Decrement A	A - 1 → A
COMP A	Complement A	1's complement of A → A
SWAP A	Swap nibbles of A	A[15:12] ↔ A[11:8] ↔ A[7:4] ↔ A[3:0]
RRC A	Rotate A right thru C	C → A15 → ... → A0 → C
RLC A	Rotate A left thru C	C ← A15 ← ... ← A0 ← C
SHR A	Shift A right	0 → A15 → ... → A0 → C
SHL A	Shift A left	C ← A15 ← ... ← A0 ← 0
SC	Set C	1 → C
RC	Reset C	0 → C
IFC	IF C	Do next if C = 1
IFNC	IF not C	Do next if C = 0
TRANSFER OF CONTROL INSTRUCTIONS		
JSRP	Jump subroutine from table	PC → W(SP), SP + 2 → SP W(table#) → PC
JSR	Jump subroutine relative	PC → W(SP), SP + 2 → SP, PC + # → PC (# is + 1025 to - 1023)
JSRL	Jump subroutine long	PC → W(SP), SP + 2 → SP, PC + # → PC
JP	Jump relative short	PC + # → PC (# is + 32 to - 31)
JMP	Jump relative	PC + # → PC (# is + 257 to - 255)
JMPL	Jump relative long	PC + # → PC
JID	Jump indirect at PC + A	PC + A + 1 → PC then Mem(PC) + PC → PC
JIDW		
NOP	No Operation	PC + 1 → PC
RET	Return	SP - 2 → SP, W(SP) → PC
RETSK	Return then skip next	SP - 2 → SP, W(SP) → PC, & skip
RETI	Return from interrupt	SP - 2 → SP, W(SP) → PC, interrupt re-enabled
<p>Note: W is 16-bit word of memory MA is Accumulator A or direct memory (8-bit or 16-bit) Mem is 8-bit byte or 16-bit word of memory Mem1 is 8-bit or 16-bit memory or 8-bit or 16-bit immediate data imm is 8-bit or 16-bit immediate data imm8 is 8-bit immediate data only For details of memory usage by each instruction, see The HPC User's Manual.</p>		

Code Efficiency

One of the most important criteria of a single chip microcontroller is code efficiency. The more efficient the code, the more features that can be put on a chip. The memory size on a chip is fixed so if code is not efficient, features may have to be sacrificed or the programmer may have to buy a larger, more expensive version of the chip.

The HPC family has been designed to be extremely code-efficient. The HPC looks very good in all the standard coding benchmarks; however, it is not realistic to rely only on benchmarks. Many large jobs have been programmed onto the HPC, and the code savings over other popular micro-controllers has been considerable.

Reasons for this saving of code include the following:

SINGLE BYTE INSTRUCTIONS

The majority of instructions on the HPC167064 are single-byte. There are two especially code-saving instructions: JP is a 1-byte jump. True, it can only jump within a range of plus or minus 32, but many loops and decisions are often within a small range of program memory. Most other micros need 2-byte instructions for any short jumps.

JSRP is a 1-byte subroutine call. The user makes a table of the 16 most frequently called subroutines and these calls will only take one byte. Most other micros require two and even three bytes to call a subroutine. The user does not have to decide which subroutine addresses to put into the table; the assembler can give this information.

EFFICIENT SUBROUTINE CALLS

The 2-byte JSR instructions can call any subroutine within plus or minus 1k of program memory.

MULTIFUNCTION INSTRUCTIONS FOR DATA MOVEMENT AND PROGRAM LOOPING

The HPC167064 has single-byte instructions that perform multiple tasks. For example, the XS instruction will do the following:

1. Exchange A and memory pointed to by the B register
2. Increment or decrement the B register
3. Compare the B register to the K register
4. Generate a conditional skip if B has passed K

The value of this multipurpose instruction becomes evident when looping through sequential areas of memory and exiting when the loop is finished.

BIT MANIPULATION INSTRUCTIONS

Any bit of memory, I/O or registers can be set, reset or tested by the single byte bit instructions. The bits can be addressed directly or indirectly. Since all registers and I/O are mapped into the memory, it is very easy to manipulate specific bits to do efficient control.

DECIMAL ADD AND SUBTRACT

This instruction is needed to interface with the decimal user world.

It can handle both 16-bit words and 8-bit bytes.

The 16-bit capability saves code since many variables can be stored as one piece of data and the programmer does not have to break his data into two bytes. Many applications store most data in 4-digit variables. The HPC167064 supplies 8-bit byte capability for 2-digit variables and literal variables.

MULTIPLY AND DIVIDE INSTRUCTIONS

The HPC167064 has 16-bit multiply, 16-bit by 16-bit divide, and 32-bit by 16-bit divide instructions. This saves both code and time. Multiply and divide can use immediate data or data from memory. The ability to multiply and divide by immediate data saves code since this function is often needed for scaling, base conversion, computing indexes of arrays, etc.

Development Support

The HPC167064 acts as a stand alone emulator for either the HPC16083 or the HPC16064. No separate development tool is thus provided to support this emulator device. The user will use either the HPC16083 or the HPC16064 (depending on which device is in use) development tools to develop and debug the application hardware and software in their target as normally done for the non-emulator HPC devices. The application software can then be programmed in the on-chip EPROM and the HPC167064 can then be plugged in the target system to run the application like a regular masked ROM device. The HPC167064 can be programmed using a DATA I/O UNISITE with pinsite module.

To support the security feature of the HPC167064, a software switch is provided with the linker (under PROMHPC) which will generate an encrypted hex file for the user. The purpose is to be able to compare this software generated encrypted data with the encrypted data produced by the actual chip to provide a way to verify on-chip EPROM code after security has been enabled. For details of how to generate encrypted data and all other HPC167064 features, refer to the Appendix K of the HPC Family User's Manual.

Development Support (Continued)

PROGRAMMING SUPPORT

The HPC167064 EPROM array can be programmed using a DATA I/O Unisite model with a pinsite module. No adaptor board is required with the DATA I/O programmer. Programming of the configuration bytes and security bits is described in the HPC Family User's Manual.

HOW TO ORDER

To order a complete development package, select the section for the microcontroller to be developed and order the parts listed.

Development Tools Selection Table

Order Number	Description	Includes	Manual Number
HPC-DEV-IBMA	Assembler/Linker/Librarian Package for IBM PC/AT	HPC Assembler/Linker/Librarian User's Manual	424410836-001
HPC-DEV-IBMC	C Compiler Assembler/Linker/Librarian Package for IBM PC/AT	HPC C Compiler User's Manual HPC Assembler/Linker/Librarian User's Manual	424410883-001 424410836-001

DIAL-A-HELPER

Dial-A-Helper is a service provided by the Microcontroller Applications group. Dial-A-Helper is an Electronic Bulletin Board Information system and, additionally, provides the capability of remotely accessing the development system at a customer site.

INFORMATION SYSTEM

The Dial-A-Helper system provides access to an automated information storage and retrieval system that may be accessed over standard dial-up telephone lines 24 hours a day. The system capabilities include a MESSAGE SECTION (electronic mail) for communications to and from the Microcontroller Applications Group and a FILE SECTION which consists of several file areas where valuable application software and utilities can be found. The minimum requirement for accessing Dial-A-Helper is a Hayes compatible modem.

If the user has a PC with a communications package then files from the FILE SECTION can be downloaded to disk for later use.

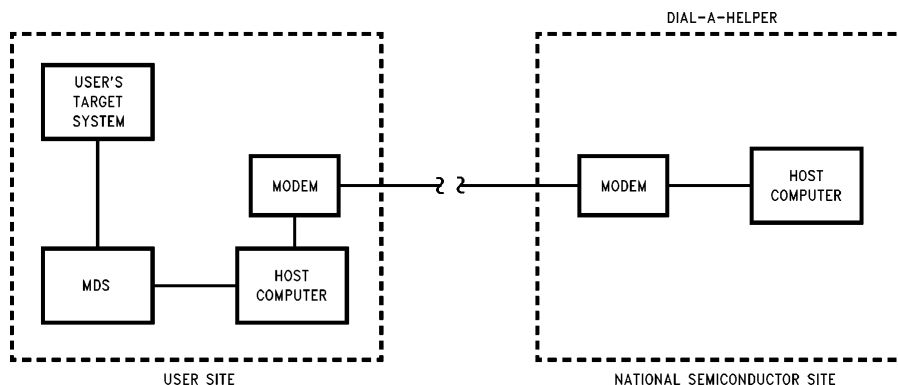
Order P/N: MDS-DIAL-A-HLP

Information System Package Contains:
Dial-A-Helper Users Manual
Public Domain Communications Software

FACTORY APPLICATIONS SUPPORT

Dial-A-Helper also provides immediate factory applications support. If a user is having difficulty in operating a MDS, messages can be left on our electronic bulletin board, which we will respond to.

Voice: (408) 721-5582
Modem: (408) 739-1162
Baud: 300 or 1200 baud
Set-Up: Length: 8-bit
Parity: None
Stop Bit: 1
Operation: 24 hrs, 7 Days

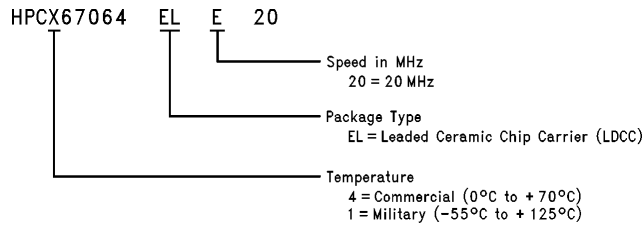


TL/DD/11046-38

Part Selection

The HPC family includes devices with many different options and configurations to meet various application needs. The number HPC167064 has been generically used throughout this datasheet to represent the whole family of parts. The following chart explains how to order various options available when ordering HPC family members.

Note: All options may not currently be available.



TL/DD/11046-39

Examples:

HPC467064/EL20—16k EPROM, Commercial temperature (0°C to +70°C), LDCC

HPC167064/EL20—16k EPROM Military temperature (-55°C to +125°C), LDCC (to be used for automotive temperature range also)

Socket Selection

Suggested sockets and extractor tool:

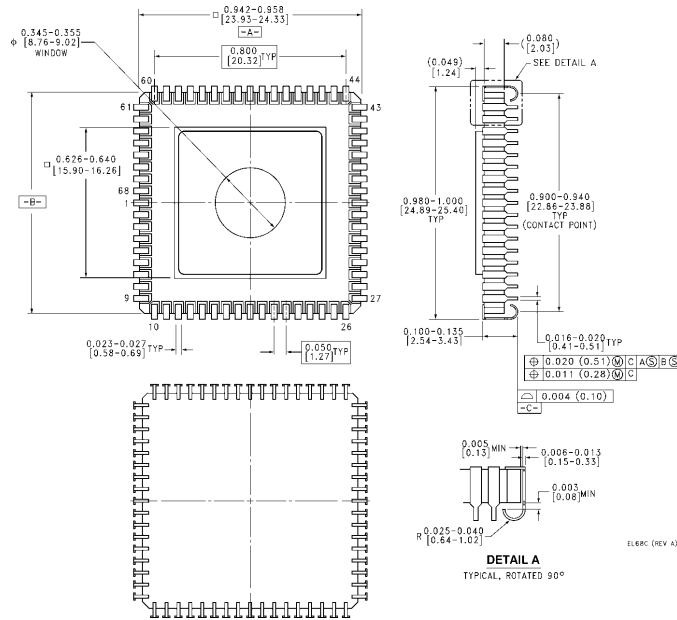
Socket #	Amp	PLCC	#
			821574-1
			6141749
	*YAMAICHI	1C51-0684-390	
		1C120-0684-204	
	ENPLAS	PLCC-68-1.27-02	
Extractors Tool #	Amp	821566-1	

*A shim must be used in conjunction with this socket to ensure proper contacts. For details of the shim and how to obtain it, contact factory applications group at (408) 721-5582.



HPC167064/HPC467064 High-Performance microController with a 16k UV Erasable CMOS EPROM

Physical Dimensions inches (millimeters)



Leaded EPROM Chip Carrier (EL)
Order Number HPC167064EL or HPC467064EL
NS Package Number EL68C

LIFE SUPPORT POLICY

NATIONAL'S PRODUCTS ARE NOT AUTHORIZED FOR USE AS CRITICAL COMPONENTS IN LIFE SUPPORT DEVICES OR SYSTEMS WITHOUT THE EXPRESS WRITTEN APPROVAL OF THE PRESIDENT OF NATIONAL SEMICONDUCTOR CORPORATION. As used herein:

1. Life support devices or systems are devices or systems which, (a) are intended for surgical implant into the body, or (b) support or sustain life, and whose failure to perform, when properly used in accordance with instructions for use provided in the labeling, can be reasonably expected to result in a significant injury to the user.
2. A critical component is any component of a life support device or system whose failure to perform can be reasonably expected to cause the failure of the life support device or system, or to affect its safety or effectiveness.



National Semiconductor Corporation
 1111 West Bardin Road
 Arlington, TX 76017
 Tel: 1(800) 272-9959
 Fax: 1(800) 737-7018

National Semiconductor Europe
 Fax: (+49) 0-180-530 85 86
 Email: onjwge@tevm2.nsc.com
 Deutsch Tel: (+49) 0-180-530 85 85
 English Tel: (+49) 0-180-532 78 32
 Français Tel: (+49) 0-180-532 93 58
 Italiano Tel: (+49) 0-180-534 16 80

National Semiconductor Hong Kong Ltd.
 19th Floor, Straight Block,
 Ocean Centre, 5 Canton Rd.
 Tsimshatsui, Kowloon
 Hong Kong
 Tel: (852) 2737-1600
 Fax: (852) 2736-9960

National Semiconductor Japan Ltd.
 Tel: 81-043-299-2309
 Fax: 81-043-299-2408

National does not assume any responsibility for use of any circuitry described, no circuit patent licenses are implied and National reserves the right at any time without notice to change said circuitry and specifications.

Free Manuals Download Website

<http://myh66.com>

<http://usermanuals.us>

<http://www.somanuals.com>

<http://www.4manuals.cc>

<http://www.manual-lib.com>

<http://www.404manual.com>

<http://www.luxmanual.com>

<http://aubethermostatmanual.com>

Golf course search by state

<http://golfingnear.com>

Email search by domain

<http://emailbydomain.com>

Auto manuals search

<http://auto.somanuals.com>

TV manuals search

<http://tv.somanuals.com>