

INSTALLER: THESE INSTRUCTIONS MUST BE CONVEYED TO AND REMAIN WITH THE HOMEOWNER.

CERTIFIED UNDER CANADIAN AND AMERICAN NATIONAL STANDARDS, CSA 2.33, ANSI Z21.88 FOR VENTED GAS FIREPLACE HEATERS



GAS - DIRECT VENT MILLIVOLT SYSTEM

**INSTALLATION AND OPERATION INSTRUCTIONS FOR
LISTED DIRECT VENTED GAS-FIRED WALL FURNACE**

NATURAL GAS MODEL **GD45-N**

PROPANE GAS MODEL **GD45-P**

CERTIFIED FOR CANADA AND UNITED STATES USING ANSI / CSA METHODS

WARNING: If the information in these instructions is not followed exactly, a fire or explosion may result causing property damage, personal injury or death.

FOR YOUR SAFETY

Do not store or use gasoline or other flammable vapours and liquids in the vicinity of this or any other appliance.

WHAT TO DO IF YOU SMELL GAS:

- Do not try to light any appliance.
- Do not touch any electrical switch.
- Do not use any phone in your building.
- Immediately call your gas supplier from a neighbour's phone. Follow the gas supplier's instructions.
- If you cannot reach your gas supplier, call the fire department.

Installation and service must be performed by a qualified installer, service agency or the gas supplier.



Wolf Steel Ltd., 24 Napoleon Rd., Barrie, ON L4M 4Y8 Canada • (705)721-1212 • fax(705)722-6031

www.napoleonfireplaces.com • ask@napoleon.on.ca

W415-0100 / D / 01.13.04

TABLE of CONTENTS

PG2-5 INTRODUCTION

Warranty
General Instructions
General Information
Care of Glass & Plated Parts

5-8 VENTING

Vent Lengths
Venting Options
Air Terminal Locations

9-13 INSTALLATION / FRAMING

Horizontal Venting Installation
Vertical Venting Installation
Restricting Vertical Vents
Fireplace Vent Connection
Installation
Framing
Mantle Clearances and Enclosures
Mobile Home Installation

14 GAS INSTALLATION

14-16 FINISHING

Brick Panel Installation
Log Placement
Door Opening, Trim & Louvres

17 OPTIONAL BLOWER INSTALLATION

18 OPTIONAL FAN INSTALLATION OPTIONAL THERMOSTATIC SENSOR

19-20 OPERATION / MAINTENANCE

Operating Instructions
Maintenance

20 ADJUSTMENTS

Pilot Burner Adjustment
Venturi Adjustments

21-22 REPLACEMENTS

Ordering Replacement Parts
Replacement Parts
Terminal Kits
Vent Kits
Accessories

23-24 TROUBLE SHOOTING GUIDE

PLEASE RETAIN THIS MANUAL FOR FUTURE REFERENCE

WARNING

- Do not burn wood or other materials in this fireplace.
- Adults and especially children should be alerted to the hazards of high surface temperatures and should stay away to avoid burns or clothing ignition. Supervise young children when they are in the same room as the fireplace.
- Due to high temperatures, the fireplace should be located out of traffic and away from furniture and draperies.
- Clothing or other flammable material should not be placed on or near the fireplace.
- Any safety screen or guard removed for servicing must be replaced prior to operating the fireplace.
- It is imperative that the control compartments, burners and circulating blower and its passageway in the fireplace and venting system are kept clean. The fireplace and its venting system should be inspected before use and at least annually by a qualified service person. More frequent cleaning may be required due to excessive lint from carpeting, bedding material, etc. The fireplace area must be kept clear and free from combustible materials, gasoline and other flammable vapours and liquids.
- Under no circumstances should this fireplace be modified.
- This fireplace must not be connected to a chimney flue pipe serving a separate solid fuel burning appliance.
- Do not use this fireplace if any part has been under water. Immediately call a qualified service technician to inspect the fireplace and to replace any part of the control system and any gas control which has been under water.
- Do not operate the fireplace with the glass door removed, cracked or broken. Replacement of the glass should be done by a licensed or qualified service person.
- Do not strike or slam shut the fireplace glass door.
- This fireplace uses and requires a fast acting thermocouple. Replace only with a fast acting thermocouple supplied by Wolf Steel Ltd.

NOTE: CHANGES, OTHER THAN EDITORIAL, ARE DENOTED BY A VERTICAL LINE IN THE MARGIN.

W415-0100 / D / 01.13.04

NAPOLEON gas fireplaces are manufactured under the strict Standard of the world recognized ISO 9001 : 2000 Quality Assurance Certificate.

NAPOLEON products are designed with superior components and materials, assembled by trained craftsmen who take great pride in their work. The burner and valve assembly are leak and test-fired at a quality test station. The complete fireplace is thoroughly inspected by a qualified technician before packaging to ensure that you, the customer, receives the quality product that you expect from NAPOLEON.

NAPOLEON GAS FIREPLACE PRESIDENT'S LIFETIME LIMITED WARRANTY

The following materials and workmanship in your new napoleon gas fireplace are warranted against defects for as long as you own the fireplace. This covers: combustion chamber, heat exchanger, stainless steel burner, phazer™ logs and embers, ceramic glass (thermal breakage only), gold plated parts against tarnishing, porcelainized enamelled components and aluminum extrusion trims.

Electrical (110V and millivolt) components and wearable parts such as blowers, gas valves, thermal switch, switches, wiring, remote controls, ignitor, gasketing, and pilot assembly are covered and NAPOLEON will provide replacement parts free of charge during the first year of the limited warranty.

Labour related to warranty repair is covered free of charge during the first year. Repair work, however, requires the prior approval of an authorized company official. Labour costs to the account of NAPOLEON are based on a predetermined rate schedule and any repair work must be done through an authorized NAPOLEON dealer.

CONDITIONS AND LIMITATIONS

NAPOLEON warrants its products against manufacturing defects to the original purchaser only -- i.e., the individual or legal entity (registered customer) whose name appears on the warranty registration card filed with NAPOLEON -- provided that the purchase was made through an authorized NAPOLEON dealer and is subject to the following conditions and limitations:

This factory warranty is nontransferable and may not be extended whatsoever by any of our representatives.

The gas fireplace must be installed by a licenced, authorized service technician or contractor. Installation must be done in accordance with the installation instructions included with the product and all local and national building and fire codes.

This limited warranty does not cover damages caused by misuse, lack of maintenance, accident, alterations, abuse or neglect and parts installed from other manufacturers will nullify this warranty.

This limited warranty further does not cover any scratches, dents, corrosion or discolouring caused by excessive heat, abrasive and chemical cleaners nor chipping on porcelain enamel parts, mechanical breakage of PHAZER™ logs and embers, nor any venting components used in the installation of the fireplace.

NAPOLEON warrants its stainless steel burners against defects in workmanship and material for life, subject to the following conditions: During the first 10 years NAPOLEON will replace or repair the defective parts at our option free of charge. From 10 years to life, NAPOLEON will provide replacement burners at 50% of the current retail price.

In the first year only, this warranty extends to the repair or replacement of warranted parts which are defective in material or workmanship provided that the product has been operated in accordance with the operation instructions and under normal conditions.

After the first year, with respect to this President's Limited Lifetime Warranty, NAPOLEON may, at its discretion, fully discharge all obligations with respect to this warranty by refunding to the original warranted purchaser the wholesale price of any warranted but defective part(s).

After the first year, NAPOLEON will not be responsible for installation, labour or any other costs or expenses related to the reinstallation of a warranted part, and such expenses are not covered by this warranty.

Notwithstanding any provisions contained in this President's Limited Lifetime Warranty, NAPOLEON'S responsibility under this warranty is defined as above and it shall not in any event extend to any incidental, consequential or indirect damages.

This warranty defines the obligations and liability of NAPOLEON with respect to the NAPOLEON gas fireplace and any other warranties expressed or implied with respect to this product, its components or accessories are excluded.

NAPOLEON neither assumes, nor authorizes any third party to assume, on its behalf, any other liabilities with respect to the sale of this product. NAPOLEON will not be responsible for: over-firing, downdrafts, spillage caused by environmental conditions such as rooftops, buildings, nearby trees, hills, mountains, inadequate vents or ventilation, excessive venting configurations, insufficient makeup air, or negative air pressures which may or may not be caused by mechanical systems such as exhaust fans, furnaces, clothes dryers, etc.

Any damages to fireplace, combustion chamber, heat exchanger, brass trim or other component due to water, weather damage, long periods of dampness, condensation, damaging chemicals or cleaners will not be the responsibility of NAPOLEON.

The bill of sale or copy will be required together with a serial number and a model number when making any warranty claims from your authorized dealer. The warranty registration card must be returned within fourteen days to register the warranty.

NAPOLEON reserves the right to have its representative inspect any product or part thereof prior to honouring any warranty claim.

ALL SPECIFICATIONS AND DESIGNS ARE SUBJECT TO CHANGE WITHOUT PRIOR NOTICE DUE TO ON-GOING PRODUCT IMPROVEMENTS. NAPOLEON® IS A REGISTERED TRADEMARK OF WOLF STEEL LTD. PATENTS U.S. 5.303.693.801 - CAN. 2.073.411, 2.082.915. © WOLF STEEL LTD.

GENERAL INSTRUCTIONS

This gas fireplace should be installed and serviced by a qualified installer to conform with local codes. Installation practices vary from region to region and it is important to know the specifics that apply to your area, for example: in Massachusetts State:

- The fireplace damper must be removed or welded in the open position prior to installation of a fireplace insert or gas log.
- The appliance off valve must be a "T" handle gas cock.
- The flexible connector must not be longer than 36 inches.
- The appliance is not approved for installation in a bedroom or bathroom unless the unit is a direct vent sealed combustion product.
- **WARNING:** This product must be installed by a licensed plumber or gas fitter when installed within the commonwealth of Massachusetts.

In absence of local codes, install to the current CAN/CGA - B149 Installation Code in Canada or to the National Fuel Gas Code, ANSI Z223.1, and NFPA 54 in the United States. Suitable for mobile home installation if installed in accordance with the current standard CAN/CSA Z240MH Series, for gas equipped mobile homes, in Canada or ANSI Z223.1 and NFPA 54 in the United States.

The fireplace and its individual shutoff valve must be disconnected from the gas supply piping system during any pressure testing of that system at test pressures in excess of 1/2 psig (3.5 kPa). The fireplace must be isolated from the gas supply piping system by closing its individual manual shutoff valve during any pressure testing of the gas supply piping system at test pressures equal to or less than 1/2 psig (3.5 kPa).

When the fireplace is installed directly on carpeting, vinyl tile or other combustible material other than wood flooring, the fireplace shall be installed on a metal or wood panel extending the full width and depth.

The optional heat circulating blower is supplied with a cord. If installed, the junction box must be electrically connected and grounded in accordance with local codes. In the absence of local codes, use the current CSA C22.1 CANADIAN ELECTRICAL CODE in Canada or the ANSI/NFPA 70 NATIONAL ELECTRICAL CODE in the United States.

Mobile home installation must conform with local codes. In the absence of local codes, install to the current standard for gas equipped mobile housing CAN/CSA Z240 MH Series in Canada or the manufactured home construction and safety standard, Title 24 CFR, part 3280, or the Fire Safety Criteria for manufactured home installations, Sites and Community Standard ANSI/NFPA 501A in the United States.

GENERAL INFORMATION

FOR YOUR SATISFACTION, THIS FIREPLACE HAS BEEN TEST-FIRED TO ASSURE ITS OPERATION AND QUALITY! Maximum input is 45,000 BTU/hr for natural gas and 40,000 BTU/hr for propane. When the fireplace is installed at elevations above 4,500ft, and in the absence of specific recommendations from the local authority having jurisdiction, the certified high altitude input rating shall be reduced at the rate of 4% for each additional 1,000ft. Maximum output for natural gas is 36,900 BTU/hr at an efficiency of 82% with the fan on, 78.4% with the fan off; and 33,200 BTU/hr for propane at an efficiency of 83% with the fan on, 80% with the fan off. Minimum A.F.U.E. (Annual Fuel Utilization Efficiency) rating is 64%.

Minimum inlet gas supply pressure is 4.5 inches water column for natural gas and 11 inches water column for propane. Maximum inlet gas pressure is 7 inches water column for natural gas and 13 inches water column for propane. Manifold pressure under flow conditions is 3.5 inches water column for natural gas and 10 inches water column for propane.

This fireplace is approved for bathroom, bedroom and bed-sitting room installations and is suitable for mobile home installation.

No external electricity (110 volts or 24 volts) is required for the gas system operation.

Expansion / contraction noises during heating up and cooling down cycles are normal and are to be expected. Change in flame appearance from "HI" to "LO" is more evident in natural gas than in propane.

CARE OF GLASS, AND PLATED PARTS

Do not use abrasive cleaners to clean plated parts. Buff lightly with a clean dry cloth. The glass is 3/16" ceramic glass available from your Napoleon / Wolf Steel Ltd. dealer. DO NOT SUBSTITUTE MATERIALS. Clean the glass after the first 10 hours of operation with a recommended gas fireplace glass cleaner. Thereafter clean as required. DO NOT CLEAN GLASS WHEN HOT! If the glass is not kept clean permanent discoloration and / or blemishes may result.

Provide adequate ventilation and combustion air. Provide adequate accessibility clearance for servicing and operating the fireplace.

Never obstruct the front opening of the fireplace.

Objects placed in front of the fireplace must be kept a minimum of 48" away from the front face of the unit.

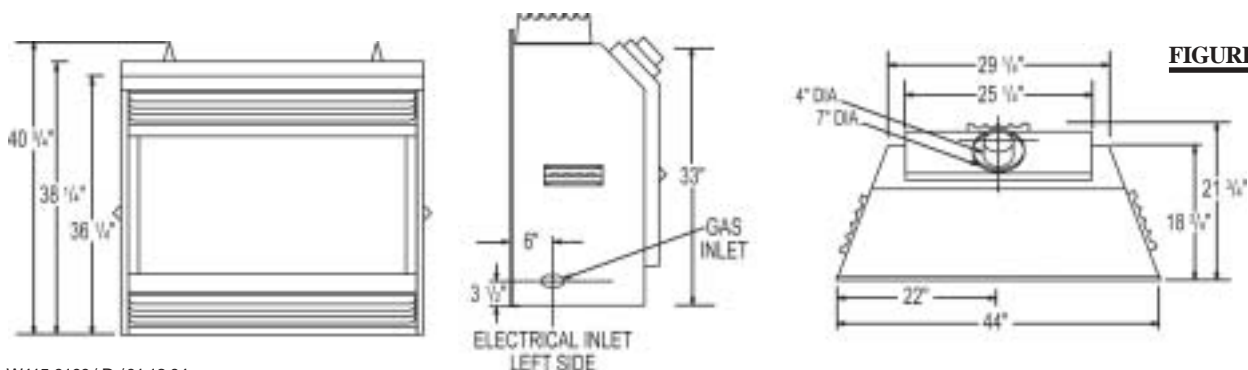


FIGURE 1

Minimum clearance to combustible construction from fireplace and vent surfaces:	
sides, back, bottom, and top	0 inches
vent pipe	1 inch
recessed depth	22 inches

VENTING

VENTING LENGTHS

Use only Napoleon or Simpson Dura-Vent Model DV-GS venting components. Minimum and maximum vent lengths, for both horizontal and vertical installations, and air terminal locations for either system are set out in this manual and must be adhered to.

When using Napoleon venting components, use only the following vent kits: WALL TERMINAL KIT **GD-222R**, or 1/12 TO 7/12 PITCH ROOF TERMINAL KIT **GD-110**, 8/12 TO 12/12 ROOF TERMINAL KIT **GD-111**, FLAT ROOF TERMINAL KIT **GD-112** or PERISCOPE KIT **GD-201** (for wall penetration below grade) in conjunction with the various terminations, use either the 5 foot vent kit **GD-220** or the 10 foot vent kit **GD-330**. For Simpson Dura-Vent, follow the installation procedure provided with the venting components.

These vent kits allow for either horizontal or vertical venting of the fireplace. The maximum number of 4" flexible connections is four (excluding the fireplace and the air terminal connections).

For optimum flame appearance and fireplace performance, keep the vent length and number of elbows to a minimum. The air terminal must remain unobstructed at all times. Examine the air terminal at least once a year to verify that it is unobstructed and undamaged.

- All horizontal runs must have a 1 inch rise per foot in all cases using Napoleon flexible venting components.
- Horizontal runs can have a 0 inch rise per foot using Simpson Dura-Vent or Napoleon rigid venting components. For optimum performance, it is recommended that all horizontal runs have a minimum ¼ inch rise per foot using rigid venting.
- Provide a means for visually checking the vent connection to the fireplace after the fireplace is installed.
- Do not allow the inside liner to bunch up on horizontal or vertical runs and elbows. Keep it pulled tight. A 1¼" air gap between the inner and outer liner all around is required for safe operation.
- Use a firestop when penetrating interior walls, floor or ceiling.
- For safe and proper operation of the fireplace follow the venting instruction exactly.
- Deviation from the minimum vertical vent length can create difficulty in burner start-up and/or carboning.
- Vent lengths that pass through unheated spaces (attics, garages, crawl space) should be insulated with the insulation wrapped in a protective sleeve to minimize condensation.
- Purge all gas lines with the glass door of the fireplace open. Assure that a continuous gas flow is at the burner before closing the door.

- Under extreme vent configurations, allow several minutes (5-15) for the flame to stabilize after ignition.
- Eight (8") inches is the minimum bend radius allowed for the 7" diameter flexible air liner.

When terminating vertically, the vertical rise is a minimum 36 inches and a maximum 40 feet above the fireplace.

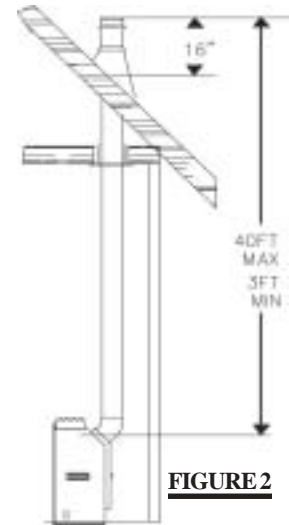


FIGURE 2

Do not radius vertical vent rises.

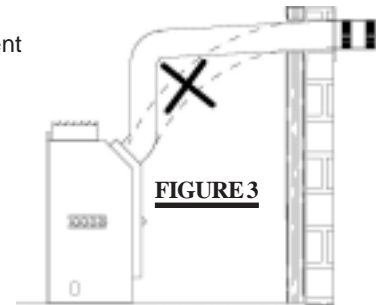
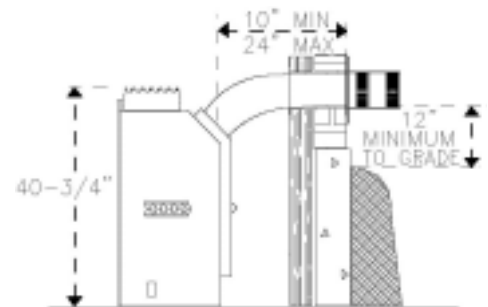


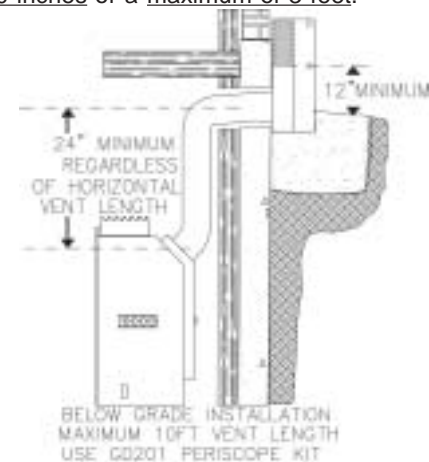
FIGURE 3

FIGURES 4a



When venting, the immediate horizontal run must be kept to a minimum of 10 inches or a maximum of 3 feet.

FIGURES 4b

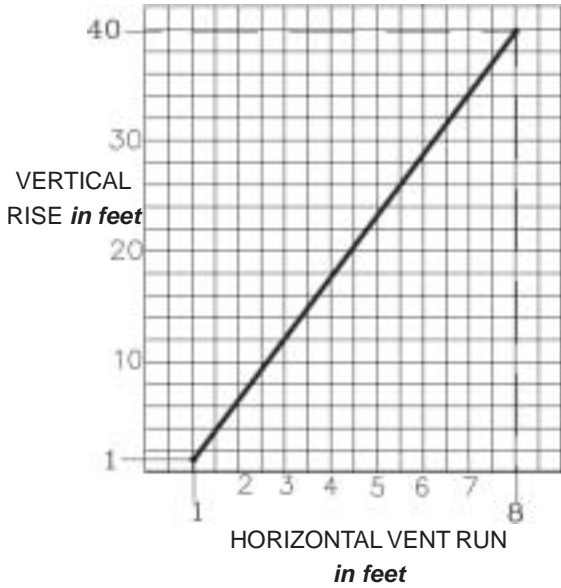


W415-0100/D /01.13.04

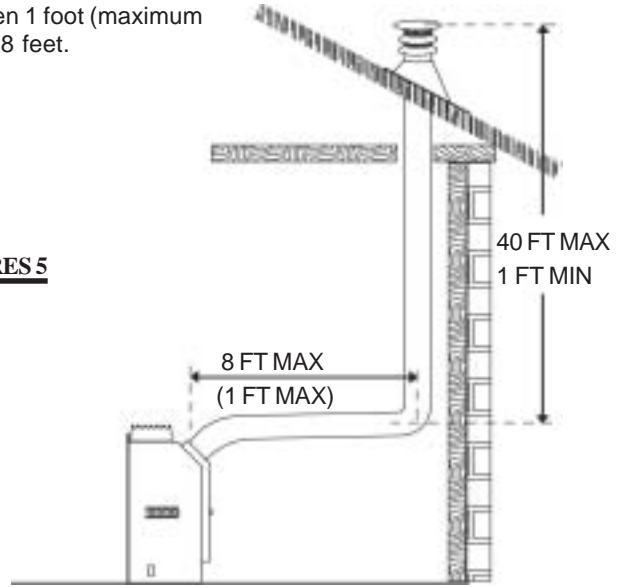
Use the venting option charts to calculate vertical rises for horizontal runs between 3 and 20 feet. When calculating maximum run lengths, include 10 feet for each 90° elbow or 5 feet for each 45° elbow. (DO NOT INCLUDE THE FIRST ELBOW DIRECTLY OFF THE UNIT.)

VENTING OPTION #1

Use this chart to calculate vertical rise for horizontal run between 1 foot (maximum length when the vertical rise is at its minimum of 1 foot) and 8 feet.

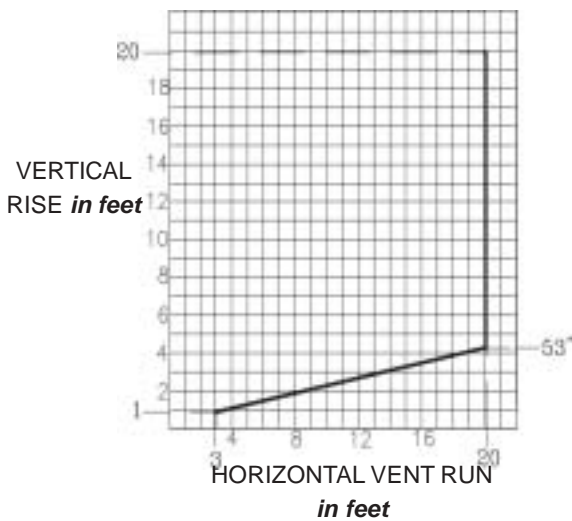


FIGURES 5

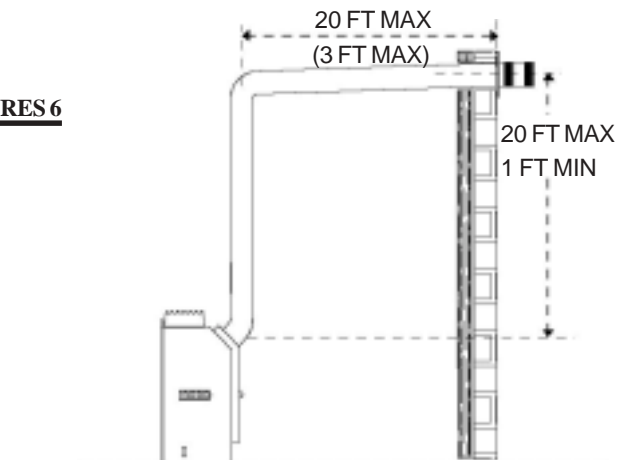


VENTING OPTION #2

Use this chart to calculate vertical rise for horizontal run between 3 feet (maximum length when the vertical rise is at its minimum of 1 foot) and 20 feet.



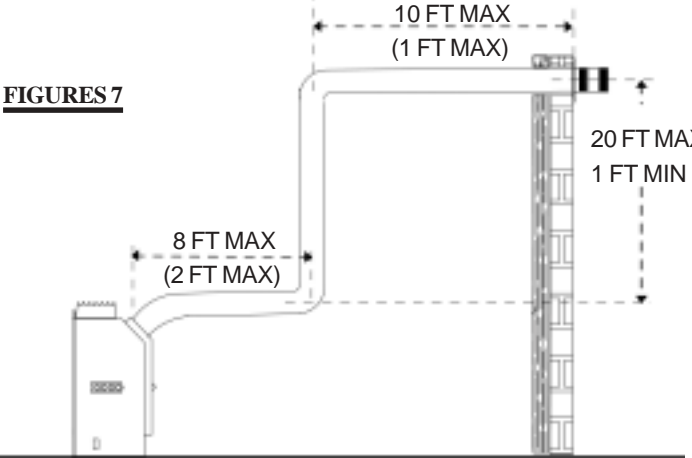
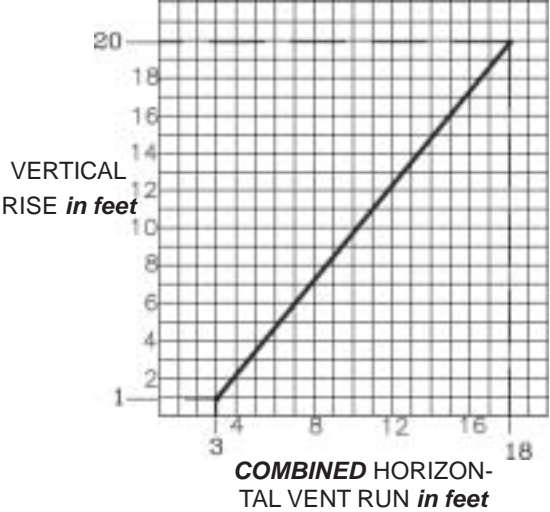
FIGURES 6



When venting, the horizontal run must be kept to a minimum of 10 inches or a maximum of 20 feet.

VENTING OPTION #3

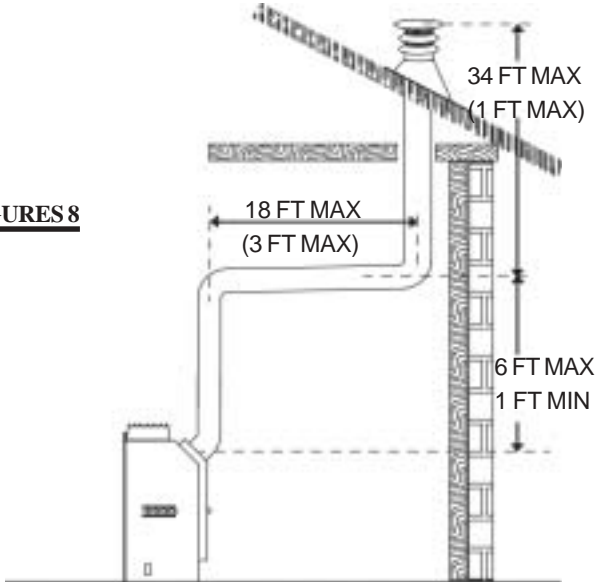
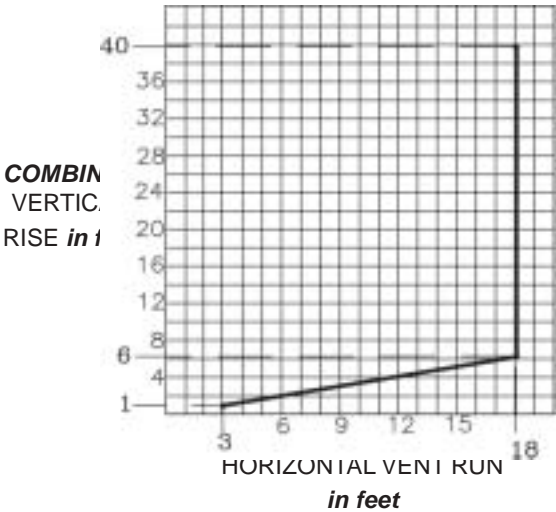
Use this chart to calculate the vertical rise when using a total of 2 horizontal runs. When the vertical rise is at its minimum of 1 foot, the first horizontal run can be a maximum of 2 feet and 1 foot maximum for the second run. When the vertical rise is at its maximum of 20 feet, the first horizontal run can be a maximum of 8 feet and 10 feet maximum for the second run.



FIGURES 7

VENTING OPTION #4

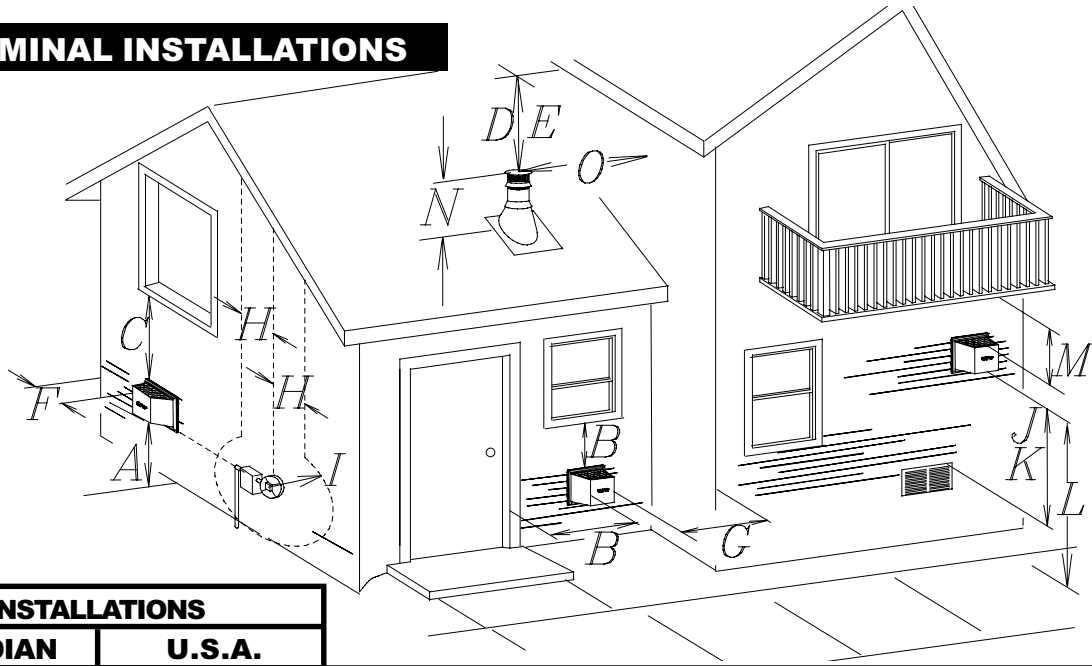
Use this chart to calculate the total vertical rise required when the horizontal run is between 18 feet maximum or 3 feet maximum length when the initial vertical rise is at its minimum of 1 foot.



FIGURES 8

AIR TERMINAL INSTALLATIONS

FIGURE 9



INSTALLATIONS		
CANADIAN	U.S.A.	
A	12 INCHES	12 INCHES
Clearance above grade, veranda porch, deck or balcony.		
B	12 INCHES	9 INCHES
Clearance to windows or doors that open.		
C	12 INCHES*	12 INCHES*
Clearance to permanently closed windows.		
D	18 INCHES**	18 INCHES**
Vertical clearance to ventilated soffit located above the terminal within a horizontal distance of 2 feet from the centerline of the terminal.		
E	12 INCHES**	12 INCHES**
Clearance to unventilated soffit.		
F	0 INCHES	0 INCHES
Clearance to an outside corner wall.		
G	0 INCHES***	0 INCHES***
	2 INCHES***	2 INCHES***
Clearance to an inside <i>non</i> -combustible corner wall or protruding <i>non</i> -combustible obstructions (chimney, etc.).		
H	3 FEET	3 FEET****
	3 FEET	3 FEET****
Clearance to each side of the centerline extended above the meter / regulator assembly to a maximum vertical distance of 15ft.		
I	3 FEET	3 FEET****
Clearance to a service regulator vent outlet.		
J	12 INCHES	9 INCHES
Clearance to a non-mechanical air supply inlet to the building or a combustion air inlet to any other appliance.		
K	6 FEET	3 FEET†
Clearance to a mechanical air supply inlet.		
L	7 FEET‡	7 FEET****
Clearance above a paved sidewalk or paved driveway located on public property unless fitted with a heat shield kit GD-301.		
M	12 INCHES††	12 INCHES****
Clearance under a veranda, porch, deck or balcony.		
N	16 INCHES	16 INCHES
Clearance above the roof.		
O	2 FEET†*	2 FEET†*
Clearance from an adjacent wall including neighbouring buildings.		

* Recommended to prevent condensation on windows and thermal breakage

** It is recommended to use a heat shield and to maximize the distance to vinyl clad soffits.

*** The periscope GD-201 requires a minimum 18 inches clearance from an inside corner.

**** This is a recommended distance. For additional requirements check local codes.

† Three feet above if within 10 feet horizontally.

‡ A vent shall not terminate directly above a sidewalk or paved driveway that is located between two single family dwellings and serves both dwellings.

†† Permitted only if the veranda, porch, or deck is fully open on a minimum of two sides beneath the floor.

†* Recommended to prevent recirculation of exhaust products. For additional requirements check local codes.

INSTALLATION

WALL AND CEILING PROTECTION

For optimum performance, it is recommended that all horizontal runs have a minimum $\frac{1}{4}$ inch rise per foot using rigid venting.

For safe and proper operation of the stove, follow the venting instructions exactly.

HORIZONTAL INSTALLATION

This application occurs when venting through an exterior wall. Having determined the air terminal location, cut and frame a hole in an exterior wall with a minimum square or round opening of 9". (As an alternative to framing, a vent pipe shield may be installed, ensuring a 1" clearance to combustibles.) **FIGURE 10**

1. Mark and cut the vent pipe shield to the determined depth of the combustible wall. Apply a bead of caulking (not supplied) to the framework or to the shield plate (in the case of a finished wall) and secure the shield through the opening to the interior wall. *The final location of the vent pipe shield should maintain the required clearance to the 7" vent pipe. Do not fill this cavity with any type of material.* Apply a bead of caulking all around and place a firestop spacer over the vent shield to restrict cold air from being drawn into the room or around the stove. Ensure that both spacer and shield maintain the required clearance to combustibles. Once the vent pipe is installed in its final position, apply sealant between the pipe and the firestop spacer.

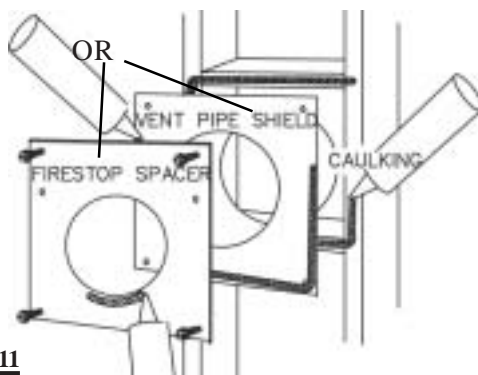
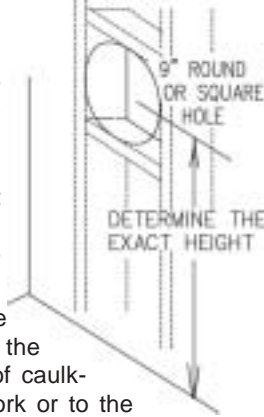


FIGURE 11



VERTICAL INSTALLATION

This application occurs when venting through a roof. Installation kits for various roof pitches are available from your Napoleon dealer. See Accessories to order the specific kit required.

1. Determine the air terminal location and move the stove into position. Cut and frame 9 inch openings in the ceiling and the roof to provide the minimum 1 inch clearance between the stove pipe and any combustible material.

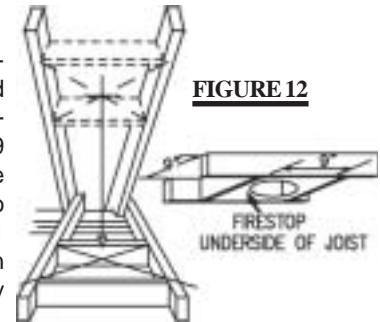


FIGURE 12

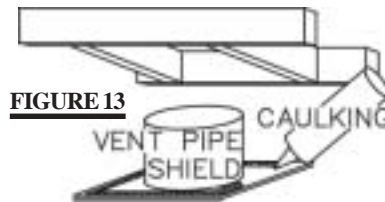


FIGURE 13

Try to centre the exhaust pipe location midway between two joist to prevent having to cut them. Use a plumb bob to line up the centre of the openings.

DO NOT FILL THIS SPACE WITH ANY TYPE OF MATERIAL. A vent pipe shield will prevent any materials such as insulation, from filling up the 1" air space around the pipe. Nail headers between the joist for extra support.

2. Apply a bead of caulking (not supplied) to the framework or to the Wolf Steel vent pipe shield plate or equivalent (in the case of a finished ceiling), and secure over the opening in the ceiling. A firestop must be placed on the bottom of each framed opening in a roof or ceiling that the venting system passes through. Apply a bead of caulking all around and place a firestop spacer over the vent shield to restrict cold air from being drawn into the room or around the stove. Ensure that both spacer and shield maintain the required clearance to combustibles. Once the vent pipe is installed in its final position, apply sealant between the pipe and the firestop spacer.

3. In the attic, after the pipe has been installed, slide the vent pipe collar down to cover up the open end of the shield and tighten. This will prevent any materials, such as insulation, from filling up the 1" air space around the pipe.

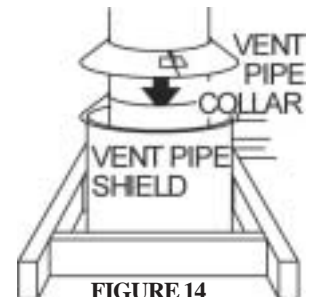


FIGURE 14

USING FLEXIBLE VENT COMPONENTS

Use only approved aluminum flexible liner kits marked:



For safe and proper operation of the fireplace, follow the venting instructions exactly.

* The vent system must be supported every 3 feet, for both vertical and horizontal runs. Use Wolf Steel support **W010-0370** or equivalent non-combustible strapping to maintain the 1" clearance from combustibles as well as to prevent sagging.

HORIZONTAL AIR TERMINAL INSTALLATION

1. Stretch the 4" diameter aluminium flexible liner to the required length taking into account the additional length needed for the finished wall surface. Apply a heavy bead of the high temperature sealant, supplied with the unit, to the inside of the 4" liner approximately 1" from the end. Slip the liner a minimum of 2" over the fireplace vent collar and secure with 3 #8 screws.

2. Using the 7" diameter flexible aluminium liner, apply sealant, slide a minimum of 2" over the fireplace combustion air collar and secure with 3 #8 screws.

3. Insert the liners through the firestop. Position and secure the fireplace using the nailing tabs (2 per side) and/or secure to the floor using #10 hex head screws (not supplied). The liners should be flush with the exterior wall. **The air terminal may be recessed into the exterior wall or siding by 1/2", the depth of the return flange.**

4. From outside, apply a bead of the high temperature sealant to the inside of both liners, approximately 1" from the end of each liner.

5. Holding the air terminal (lettering in an upright, readable position), insert into both liners with a twisting motion to ensure that both the terminal sleeves engage into the liners / sealant. Secure the terminal to the exterior wall and make weather tight by sealing with caulking (not supplied).

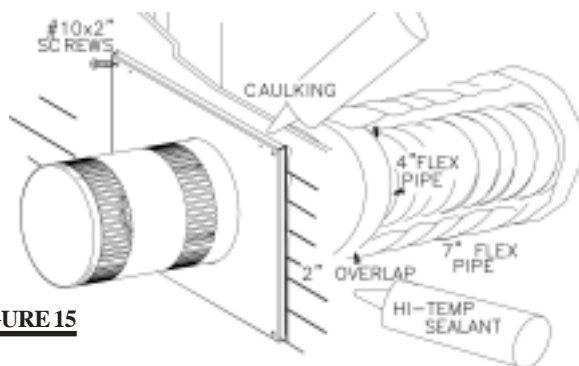


FIGURE 15

* All horizontal runs must have a 1 inch rise per foot.

6. If more than one length of liner needs to be used to reach the fireplace, couple them together as illustrated. Seal the joints using the same procedure as described in points 2 and 3. The vent system must be supported every 3 feet, for both vertical and horizontal runs. Use Napoleon support **W010-0370** or equivalent noncombustible strapping to maintain the 1" clearance from combustibles as well as to prevent sagging.

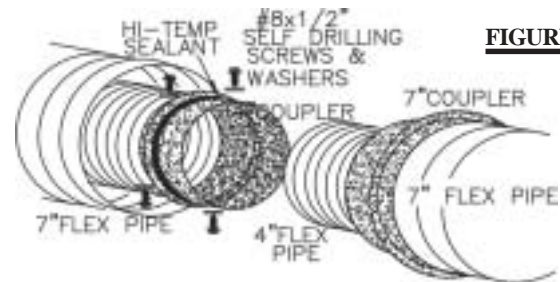


FIGURE 16

VERTICAL AIR TERMINAL INSTALLATION

1. Fasten the roof support to the roof using the screws provided. The roof support is optional. The venting is to be adequately supported using either an alternate method suitable to the authority having jurisdiction or the optional roof support.

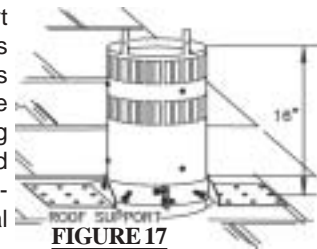


FIGURE 17

2. Stretch the 4" diameter aluminium flexible liner to the required length. Slip the liner a minimum of 2" over the inner sleeve of the air terminal and secure with 3 #8 screws. Seal using a heavy bead of the high temperature sealant.

3. Repeat using the 7" diameter aluminium flexible liner.

4. Thread the air terminal pipe assembly down through the roof. The air terminal must be located vertically and plumb. Attach the air terminal assembly to the roof support, ensuring that a minimum 16" of air terminal will penetrate the roof when fastened.

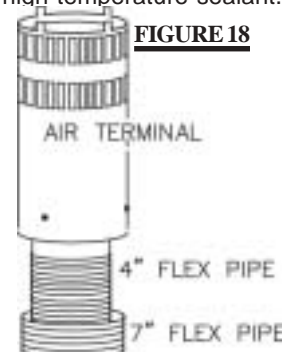


FIGURE 18

DO NOT CLAMP THE FLEXIBLE ALUMINIUM LINER.

5. Remove nails from the shingles, above and to the sides of the chimney. Place the flashing over the air terminal and slide it underneath the sides and upper edge of the shingles. Ensure that the air terminal is properly centered within the flashing, giving a 3/4" margin all around. Fasten to the roof. Do **not** nail through the lower portion of the flashing. Make weather-tight by sealing with caulking.

Where possible, cover the sides and top edges of the flashing with roofing material.

6. Apply a heavy bead of weatherproof caulking 2 inches above the flashing. Slide the storm collar around the air terminal and down to the caulking. Tighten to ensure that a weather-tight seal between the air terminal and the collar is achieved.

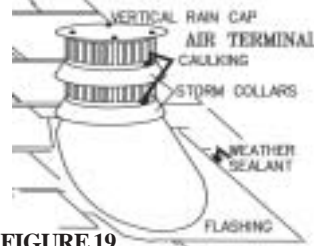


FIGURE 19

Attach the other storm collar centred between the air intake and the air exhaust slots onto the air terminal. Tighten securely. Attach the vertical rain cap.

Spacers are attached to the 4" inner flex liner at predetermined intervals to maintain a 1-1/4" air gap to the 7" outer liner. These spacers must not be removed.

7. If more liner needs to be used to reach the fireplace, follow the same procedure as found in **HORIZONTAL AIR TERMINAL INSTALLATION**. The vent system must be supported approximately every 3 feet for both vertical and horizontal runs. Use Wolf Steel support ring assembly **W010-0370** or equivalent noncombustible strapping to maintain the minimum 1" clearance to combustibles as well as to prevent sagging.

RESTRICTING VERTICAL VENTS

Vertical installations running longer than 10 feet may display a very active flame. If this appearance is not desirable, remove the brick baffle from the firebox, exposing the flue gas outlet openings. Bend the restrictor plates up (from their normal opening of 45°) into the flue openings. Replace the brick baffle. This reduces the velocity of the exhaust gases, slowing down the flame pattern and creating a more traditional gentle appearance. Specific instructions are shown in "**Trouble Shooting**".

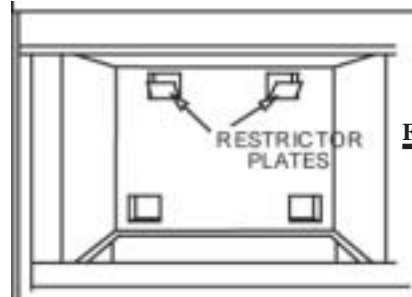


FIGURE 20

FIREPLACE VENT CONNECTION

1. Install the 4 inch diameter aluminium flexible liner to the fireplace. Secure with 3 screws and flat washers. Seal the joint and screw holes using the high temperature sealant provided.

2. Install the 7 inch diameter aluminium flexible liner to the fireplace. Attach and seal the joints.

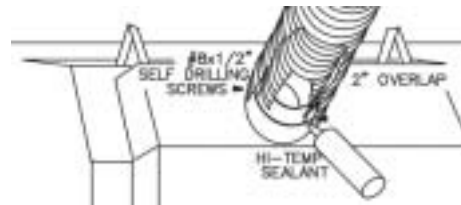


FIGURE 21

USING RIGID VENT COMPONENTS

For safe and proper operation of the fireplace, follow the venting instructions exactly.

For optimum performance, it is recommended that all horizontal runs have a minimum ¼ inch rise per foot using rigid venting.

The vent system must be supported approximately every 3 feet for both vertical and horizontal runs. Use Wolf Steel vent spacers **W615-0033** every 3 feet and either side of each elbow to maintain the minimum 1¼" clearance between the outer and inner vent pipes. Use Wolf Steel support ring assembly **W010-0370** or equivalent noncombustible strapping to maintain the minimum 1" clearance to combustibles for both vertical and horizontal runs.

HORIZONTAL AIR TERMINAL INSTALLATION

1. Move the fireplace into position. Measure the vent length required between terminal and fireplace taking into account the additional length needed for the finished wall surface and any 1¼" overlaps between venting components.

2. Apply high temperature sealant to the outer edge of the 4" inner collar of the fireplace. Attach the first vent component and secure using 3 self tapping screws. Repeat using 7" piping.

3. Holding the air terminal (lettering in an upright, readable position), insert into both vent pipes with a twisting motion to ensure that both the terminal sleeves engage into the vent pipes and sealant. Secure the terminal to the exterior wall and make weather tight by sealing with caulking (not supplied).

The air terminal may be recessed into the exterior wall or siding by 1½", the depth of the return flange.

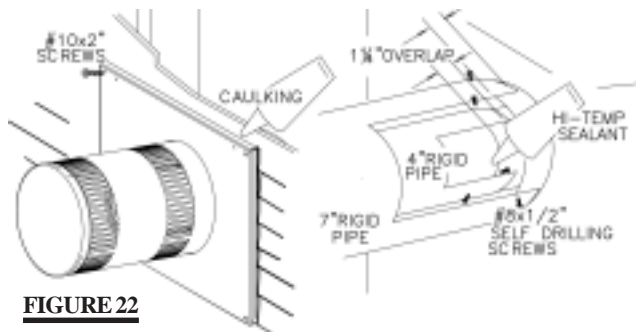


FIGURE 22

VERTICAL VENTING INSTALLATION

1. Attach 4" and 7" elbows to the stove. Apply high temperature sealant and secure the joints with 3 screws.

2. Move the fireplace into position.

3. Fasten the roof support to the roof using the screws provided. The roof support is optional. The venting is to be adequately supported using either an alternate method suitable to the authority having jurisdiction or the optional roof support.

4. Apply high temperature sealant to the outer edge of the inner sleeve of the air terminal. Slip a 4" diameter coupler over the sleeve and secure using 3 screws.

5. Apply high temperature sealant to the outer edge of the outside sleeve of the air terminal. Slip a 7" diameter coupler over the sleeve and secure as before. Trim the 7" coupler even with the 4" coupler end.

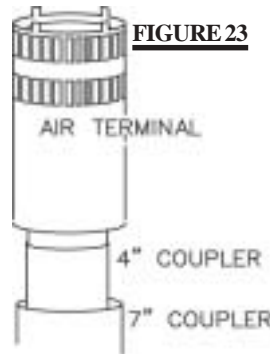


FIGURE 23

6. Thread the air terminal pipe assembly down through the roof support and attach, ensuring that a minimum 16" of air terminal will penetrate the roof when fastened. **If the attic space is tight, we recommend threading the Wolf Steel vent pipe collar or equivalent loosely onto the air terminal assembly as it is passed through the attic.** The air terminal must be located vertically and plumb.

7. Remove nails from the shingles, above and to the sides of the chimney. Place the flashing over the air terminal and slide it underneath the sides and upper edge of the shingles. Ensure that the air terminal is properly centered within the flashing, giving a 3/4" margin all around. Fasten to the roof. Do NOT nail through the lower portion of the flashing. Make weather-tight by sealing with caulking. Where possible, cover the sides and top edges of the flashing with roofing material.

8. Apply a heavy bead of waterproof caulking 2 inches above the flashing. Slide the storm collar around the air terminal and down to the caulking. Tighten to ensure that a weather-tight seal between the air terminal and the collar is achieved. Attach the other storm collar centred between the air intake and air exhaust slots onto the air terminal. Tighten securely. Attach the rain cap.

9. Continue adding rigid venting sections, sealing and securing as above. Attach a 4" collapsed telescopic pipe to the last section of rigid piping. Secure with screws and seal. Repeat using a 7" telescopic pipe.

10. Run a bead of high temperature sealant around the outside of the 4" elbow. Pull the adjustable pipe a minimum 2" onto the elbow. Secure with 3 screws. Repeat with the 7" telescopic pipe.

11. In the attic, slide the vent pipe collar down to cover up the open end of the shield and tighten. This will prevent any materials, such as insulation, from filling up the 1" air space around the pipe.

INSTALLATION / FRAMING

INSTALLATION

Proceed once the vent installation is complete.
 Move the fireplace into position and secure using the nailing tabs (2 per side) and/or secure to the floor using #10 screws (not supplied).

FRAMING

It is best to frame your fireplace after it is positioned and the vent system is installed. Use 2x4's and frame to local building codes. To install the fireplace face flush with the finished wall, position the framework to accommodate the thickness of the finished wall. Pull out the four nailing tabs, attached on either side of the fireplace and secure to the 2x4 framing to facilitate drywall installation.

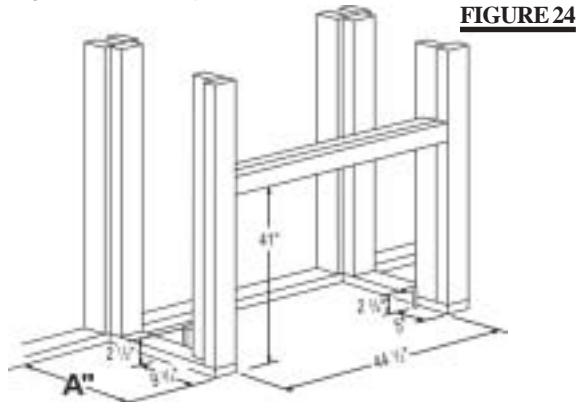


FIGURE 24

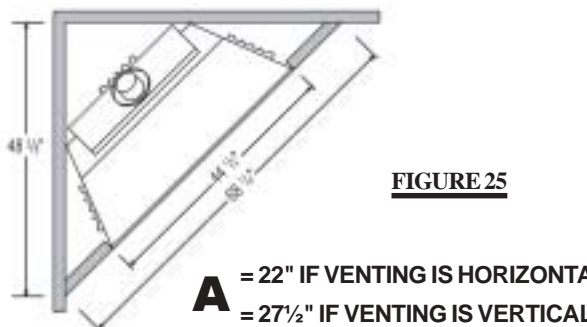


FIGURE 25

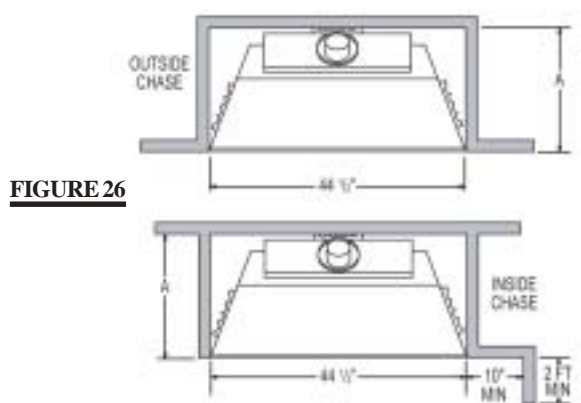


FIGURE 26

Note: In order to avoid the possibility of exposed insulation or vapour barrier coming in contact with the fireplace body, it is recommended that the walls of the fireplace enclosure be "finished" (ie: drywall/sheetrock), as you would finish any other outside wall of a home. This will ensure that clearance to combustibles is maintained within the cavity.

Combustible materials may be installed flush with the front of the fireplace but must not cover any of the black face-areas of the fireplace. Noncombustible material (brick, stone or ceramic tile) may protrude in these areas. It is not necessary to install a hearth extension with this fireplace system.

When roughing in the fireplace, raise the fireplace to accommodate for the thickness of the finished floor materials, i.e. tile, carpeting, hard wood, which if not planned for will interfere with the opening of the lower access door and the installation of many decorative flashing accessories.

Objects placed in front of the fireplace should be kept a minimum of 48" away from the front face.

MANTLE CLEARANCES & ENCLOSURES

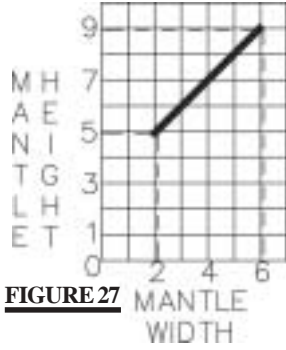
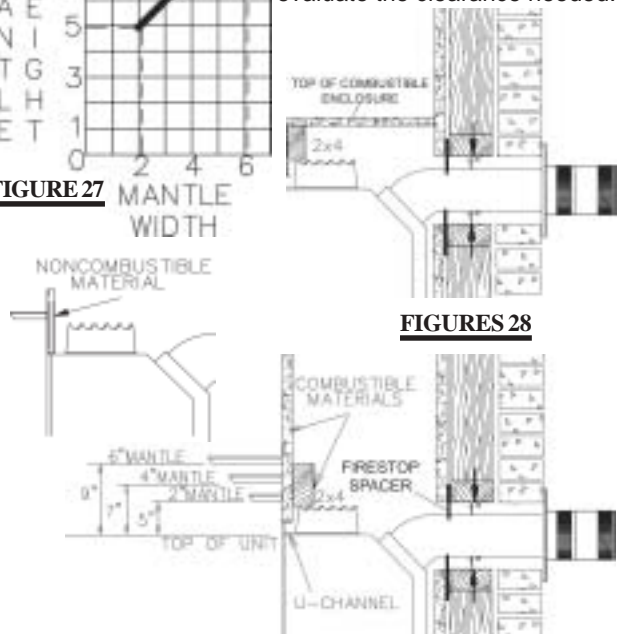


FIGURE 27

Combustible mantle clearance can vary according to the mantle depth. Use the graph to help evaluate the clearance needed.



FIGURES 28

1" clearance to combustibles from the vent pipe must be maintained.

The U-channel may be removed if framing is faced with a noncombustible material (cement board) (not supplied).

These same mantle clearance requirements apply to any combustibles protruding on either side of the fireplace.

MOBILE HOME INSTALLATION

The fireplace is equipped with two 1/4" diameter holes located in the front left and right corners of the base. For mobile home installations, the fireplace must be fastened in place. Use #10 screws, inserted through the holes in the base to secure. It is recommended that the fireplace be secured in all installations.

In Canada, mobile home installation may be vented horizontally or vertically. In the United States, it may only be installed vertically. See "Vertical Venting" or "Horizontal Air Terminal Installation" for installation.

GAS INSTALLATION

1. Route a 3/8" N.P.T. black iron gas line, 1/2" type-L copper tubing or equivalent to the fireplace.

2. For ease of accessibility, an optional remote wall switch or millivolt thermostat may be installed in a convenient location. Route double strand solid core millivolt wire through the electrical hole located at the bottom left side of the unit. The recommended maximum lead length depends on wire size:

WIRE SIZE	MAX. LENGTH
14 gauge	100 feet
16 gauge	60 feet
18 gauge	40 feet

3. Attach the two leads to terminals 1 and 3 located on the gas valve.

Do not connect either the wall switch, thermostat or gas valve to electricity (110 volts).

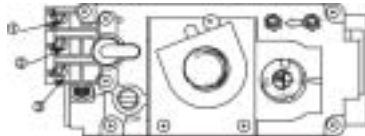


FIGURE 29

4. Install rigid black pipe, 1/2" type-L copper tubing or, if local codes permit, a 3/8" flex connector and shutoff valve to the gas line and the fireplace gas valve. Seal and tighten securely. An adapter fitting is required between the gas valve and the copper tubing or flex connector.

Do not kink flex connector.



FIGURE 30

Purge all gas lines with the glass door of the fireplace open. Assure that a continuous gas flow is at the burner before closing the door.

5. Check for gas leaks by brushing on a soap and water solution.

Do not use open flame.

FINISHING

BRICK PANEL INSTALLATION

1. Remove the two brick retainers located on either of the firebox sides as illustrated.

2. Remove the protective plastic wrap from all four panels. Centre the rear brick panel against the back of the firebox.

3. Tilt and insert the left brick panel against the left side of the firebox, ensuring that it butts up to the rear panel. Excess material may be trimmed with a utility knife. Secure in place using a retainer bracket and 2 of the screws. Repeat for the right side.

4. Slide the upper brick baffle into place over the side brick panels.

When shipped, the brick panels range in colour from white to varying shades of brown. During initial use, the panels will darken temporarily and emit a slight odour for a few hours. This is a normal condition that will not occur again. Simply open a window to sufficiently ventilate the room. The appearance of the panels will permanently lighten in colour with use.

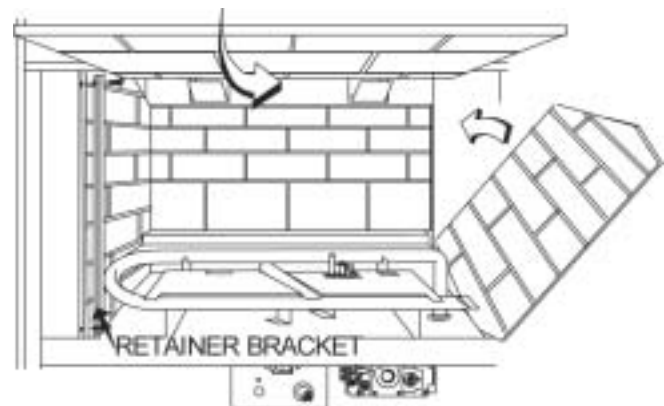


FIGURE 31

LOG PLACEMENT

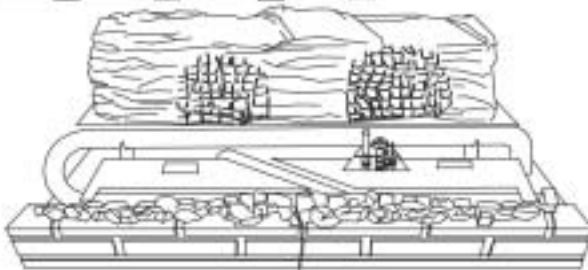
PHAZER™ logs, exclusive to Napoleon Fireplaces, provide a unique and realistic glowing effect that is different in every installation. Use only certified **PHAZER™** logs available from your Napoleon / Wolf Steel Ltd. dealer.

POSITIONING THE LOGS IMPROPERLY WILL CAUSE FLAME IMPINGEMENT AND CARBONING.

Position the logs as shown. All logs are numbered.



FIGURE 32a



The rear log should be centred on the log support.

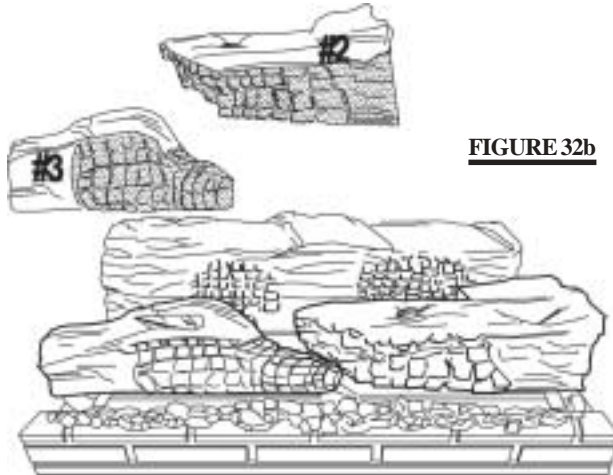


FIGURE 32b

Logs **(#2)** and **(#3)** have one leg on each underside that fits into the rectangular cutouts on the burner securing plate.

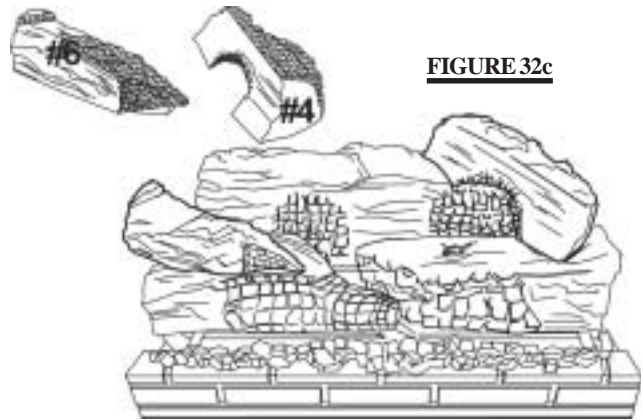


FIGURE 32c

Log **(#6)** has a leg that fits into an indentation on the top of log **(#3)**.

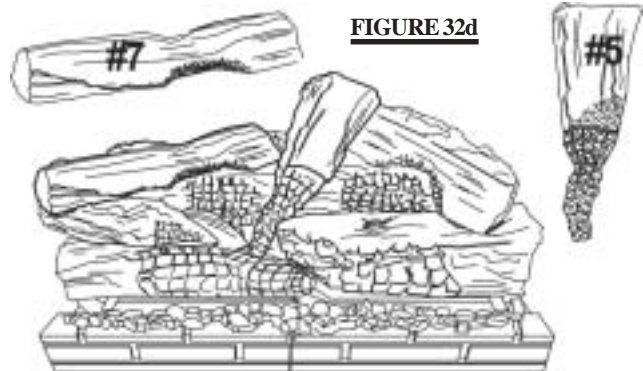


FIGURE 32d

Logs **(#5)** and **(#7)** fit onto the indentations of the lower logs.

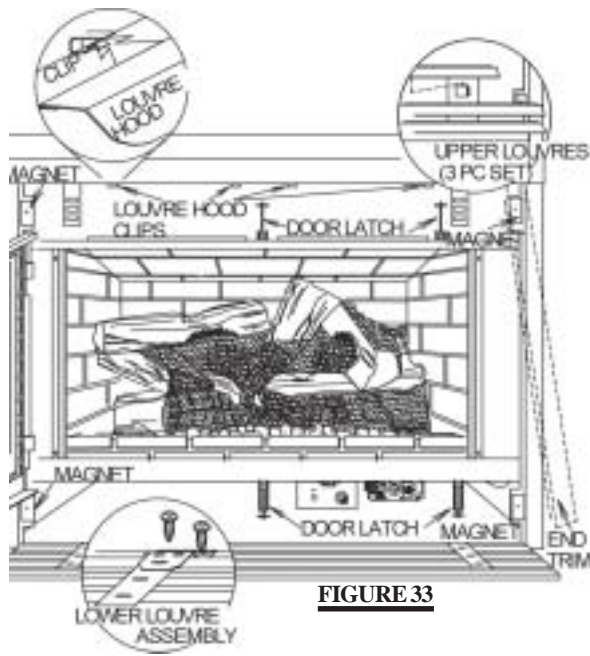
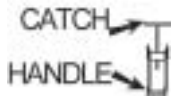


FIGURE 33

DOOR OPENING

(To open the door, the trim must be removed.) When opening the fire viewing door, a simple procedure must be followed in order to not damage the door. First open the valve control door. Next remove the louvres located above the door. The door is secured by two latches at the top and another two at the bottom. Pull the latch handles towards you and release each catch. The door may now be safely opened.

To close the door, repeat in reverse order.



DOOR REMOVAL

To remove the door, fully open to 90°, lift up and off.

TRIM INSTALLATION

The 2 vertical trim pieces are each held on with two magnets. Attach the trim to the magnets.

GDL45 LOUVRE INSTALLATION

The louvre assemblies are installed as illustrated in figure 33. In addition, the louvre hood, located above the upper louvres, is held in place with 4 clips. Slide the short leg of the louvre hood into the clips, as shown.

L45 LOUVRE INSTALLATION

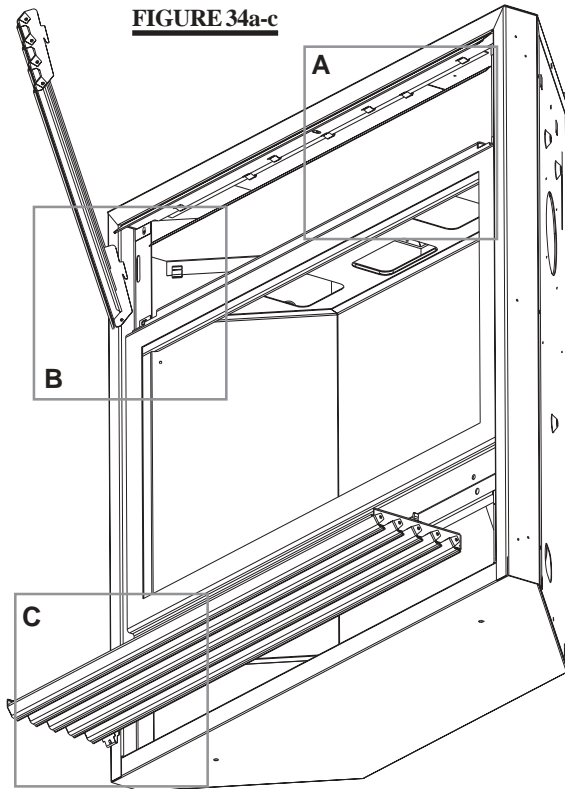
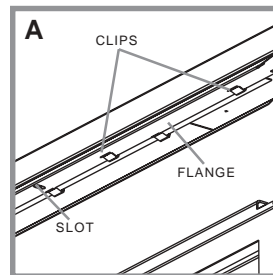
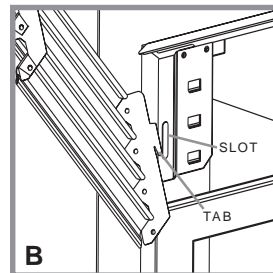


FIGURE 34a-c



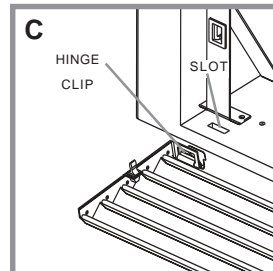
HOOD

Attach the hood by pressing the top flange into the clips along the top of the louvre opening. Secure using two screws located through the slots.



UPPER LOUVRES

Insert the louvre tabs into the slots located at the top left and right corners of the unit.



LOWER LOUVRES

Insert the hinge clips into the slots located at the bottom left and right corners of the unit. To remove the louvres, pull the back tabs of the clips forward, while pushing the louvre assembly back. Lift the clip.

OPTIONAL BLOWER INSTALLATION

INSTALLATION TO BE DONE BY A QUALIFIED INSTALLER and must be electrically connected and grounded in accordance with local codes. In the absence of local codes, use the current CSA C22.1 CANADIAN ELECTRICAL CODE in Canada or the ANSI/NFPA 70 NATIONAL ELECTRICAL CODE in the United States.

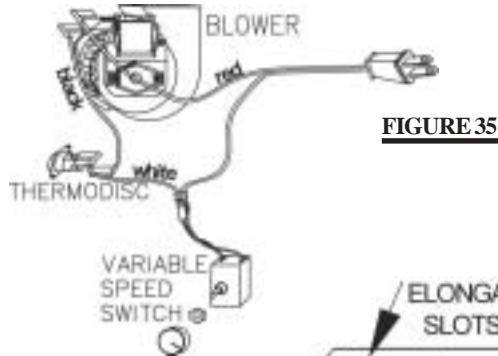


FIGURE 35

The three slots on the blower mounting bracket allow ease of adjustment when attaching the blower. For a quiet running blower, do not allow the assembly to sit on the firebox base.

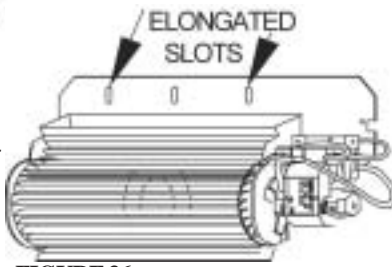


FIGURE 36

Slide the vibration reducing pad (A) into the clip (C) and up against the threaded stud (B) at the other end. The blower must be able to be positioned entirely onto the



Slide it past the controls and into the clip (C). Secure to the threaded stud using the lock washer and wing nut provided. Ensure that the blower does not touch the fireplace base or the firebox.



FIGURE 38

Attach the connectors from the black and white wires to the thermodisc and secure the thermodisc bracket to the securing stud at the bottom left of the unit using a lock washer and wing nut. Ensure that the thermodisc touches the firebox wall.

Attach the connectors from the black and red wires to the blower.

Attach and secure the variable speed switch using the nut provided. Plug the harness cord into the receptacle.

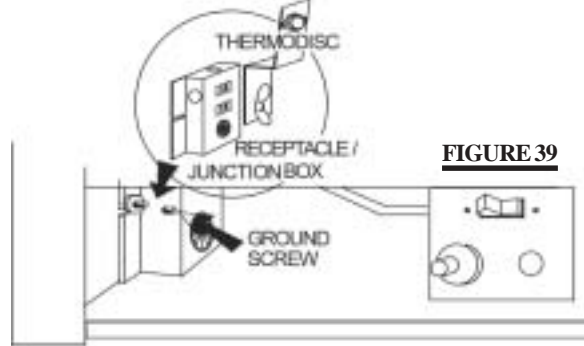


FIGURE 39

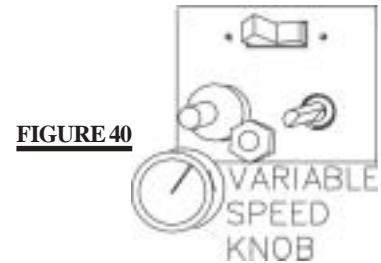


FIGURE 40

The wire harness provided in this kit is a universal harness. When installed, ensure that any excess wire is contained, preventing it from making contact with moving or hot objects.

Because the blower is thermally activated, when turned on, it will automatically start approximately 10 minutes after lighting the fireplace and will run for approximately 30-45 minutes after the fireplace has been turned off. Use of the fan increases the output of heat.

Drywall dust will penetrate into the blower bearings causing irreparable damage and must be prevented from coming into contact with the blower or its compartment. Any damage resulting from this condition is not covered by the warranty policy.

OPTIONAL FAN INSTALLATION

ELECTRICAL INSTALLATION TO BE DONE BY A QUALIFIED INSTALLER and must be connected and grounded in accordance with local codes. In the absence of local codes, use the current CSA C22.1 CANADIAN ELECTRICAL CODE in Canada or the ANSI/NFPA 70 NATIONAL ELECTRICAL CODE in the United States.

To safely install the fan, turn off the electricity first.

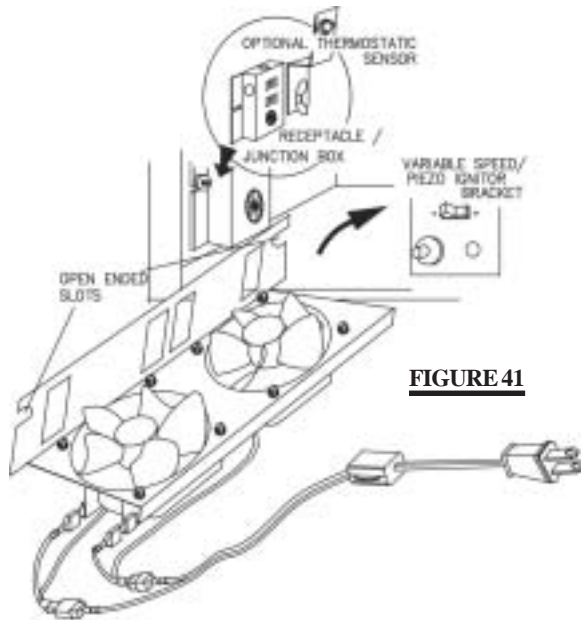


FIGURE 41

If the fireplace was not previously equipped with a fan: route a grounded 2-wire, 60hz power cable to the junction box. At this point, it must be strain relieved and insulated. The wire harness provided in this kit is a universal harness. When installed, ensure that any excess wire is contained, preventing it from making contact with moving or hot objects.

To ease installation of the fan, remove the hinge screen and valve control door (lower louvres) from the base of the fireplace.

Position the vibration reducing pad into the clip and onto the threaded stud at the other end, piercing a hole into the pad. The fan assembly must be able to be positioned entirely onto the pad.

Slide the fan assembly past the controls and into the clip. Secure using the lock washer and nut provided.

Plug the harness cord into the receptacle.

GD36 THERMOSTATIC SENSOR CONTROL

This optional kit is meant to be used only in conjunction with the GD65 Fan Kit, shown above, which may be ordered from your Wolf Steel / Napoleon dealer.

With the thermostatic sensor option, the fan, when turned on, becomes thermally activated, and will automatically run approximately 15-30 minutes after the fireplace has been lit and for approximately 30-45 minutes after the fireplace has been turned off.

Use of the fan increases the output of heat.

Unplug the power cord from the receptacle. Connect all wires as shown.

Attach and secure the sensor assembly bracket to the securing stud located next to the receptacle/junction box at the bottom left of the unit using the lock washer and wing nut. Ensure that the thermodisc touches the firebox wall.

Plug the power cord back into the receptacle.

When installed, ensure that any excess wire is contained, preventing it from making contact with moving or hot objects.

FIGURE 42

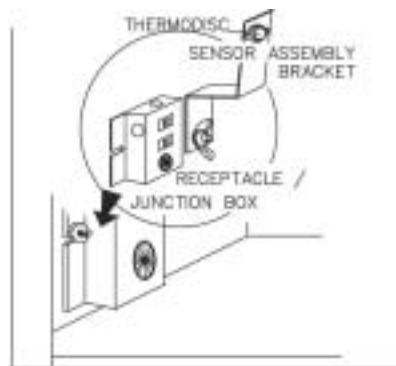
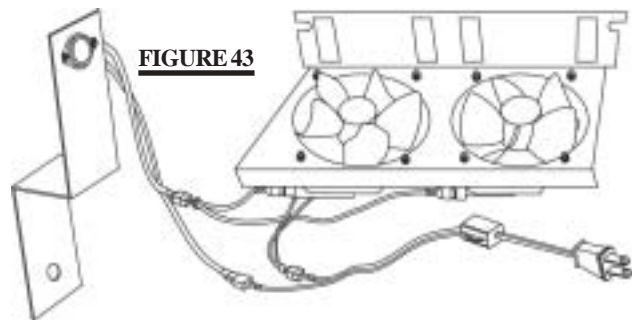


FIGURE 43



OPERATION / MAINTENANCE

OPERATING INSTRUCTIONS

When lit for the first time, the fireplace will emit a slight odour for a few hours. This is a normal temporary condition caused by the curing of the logs and the "burn-in" of internal paints and lubricants used in the manufacturing process and will not occur again. Simply open a window to sufficiently ventilate the room.

After extended periods of non-operation such as following a vacation or a warm weather season, the fireplace may emit a slight odour for a few hours. This is caused by dust particles in the heat exchanger burning off. Open a window to sufficiently ventilate the room.

Purge the gas line with the glass door open. assure that a continuous gas flow is at the burner before closing the door. Allow several minutes (5-15) for the flame to stabilize after ignition.

FOR YOUR SAFETY READ BEFORE LIGHTING:

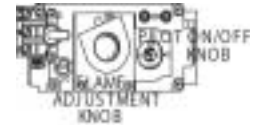
- A. This fireplace is equipped with a pilot which must be lit by hand while following these instructions exactly.
- B. Before operating smell all around the fireplace area for gas and next to the floor because some gas is heavier than air and will settle on the floor.
- C. Use only your hand to turn the gas control knob. Never use tools. If the knob will not turn by hand, do not try to repair it. Call a qualified service technician. Force or attempted repair may result in a fire or explosion.
- D. Do not use this fireplace if any part has been under water. Immediately call a qualified service technician to inspect the fireplace and replace any part of the control system and any gas control which has been under water.

WHAT TO DO IF YOU SMELL GAS

- Turn off all gas to the fireplace.
- Open windows.
- Do not try to light any appliance.
- Do not touch any electric switch; do not use any phone in your building.
- Immediately call your gas supplier from a neighbour's phone. Follow the gas supplier's instructions.
- If you cannot reach your gas supplier, call the fire department.



GAS KNOB



LIGHTING INSTRUCTIONS

WARNING: The gas valve has an interlock device which will not allow the pilot burner to be lit until the thermocouple has cooled. Allow approximately 60 seconds for the thermocouple to cool.

When lighting and relighting, the gas knob cannot be turned from pilot to off unless the knob is **depressed slightly**.

1. Stop! Read the above safety information on this label.
2. Turn off all electric power to the fireplace.
3. Turn the gas knob clockwise to off.
4. Wait five (5) minutes to clear out any gas. If you smell gas including near the floor. Stop! Follow "B" in the above safety information on this label. If you don't smell gas go the next step.

5. Turn gas knob counter-clockwise to pilot.
6. Depress slightly and hold gas knob while lighting the pilot with the push button igniter. Keep knob depressed for one minute, then release. If pilot does not continue to burn, repeat steps 3 through 5.
7. With pilot lit, depress and turn gas knob counter-clockwise to on.
8. If equipped with remote on-off switch/thermostat, main burner may not come on when you turn valve to on. Remote switch must be in the on position to ignite burner.
9. Turn on all electric power to the fireplace.

TO TURN OFF GAS

1. Turn off all electric power to the fireplace if service is to be performed.
2. For a complete shutdown procedure: push in gas control knob slightly and turn clockwise to off. Do not force.
3. For a temporary shutdown procedure: set thermostat to lowest setting or remote switch to off. Press and turn the gas knob clockwise to pilot.

MAINTENANCE

Turn off the gas and electrical power before servicing the fireplace.

CAUTION: Label all wires prior to disconnection when servicing controls. Wiring errors can cause improper and dangerous operation. Verify proper operation after servicing. This fireplace and its venting system should be inspected before use and at least annually by a qualified service person. The fireplace area must be kept clear and free of combustible materials, gasoline or other flammable vapours and liquids. The flow of combustion and ventilation air must not be obstructed.

1. In order to properly clean the burner and pilot assembly, remove the logs to expose both assemblies.
2. Keep the control compartment, logs, burner, air shutter opening and the area surrounding the logs clean by vacuuming or brushing, *at least once a year*.
3. Check to see that all burner ports are burning. Clean out any of the ports which may not be burning or are not burning properly.
4. Check to see that the pilot flame is large enough to engulf the thermocouple and thermopile and reaches toward the burner with the third jet.
5. Replace the cleaned logs.
6. Check to see that the main burner ignites completely on all openings when the gas knob for the burner is turned on. A 5 to 10 second total light-up period is satisfactory. If ignition takes longer, consult your Napoleon dealer / distributor.
7. Check that the gasketing on the door is not broken or missing. Replace if necessary.

ADJUSTMENTS

PILOT BURNER ADJUSTMENT

Adjust the pilot screw to provide properly sized flame. Turn in a clockwise direction to reduce the gas flow.

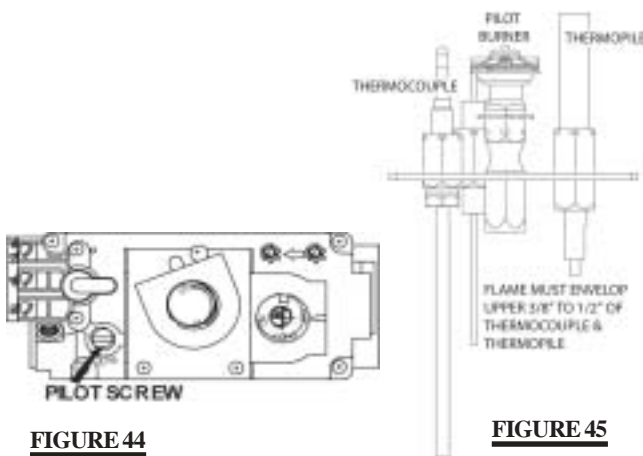


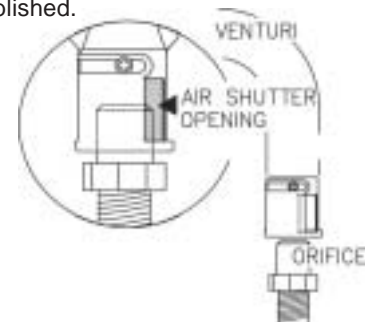
FIGURE 44

FIGURE 45

VENTURI ADJUSTMENT

Natural gas models have air shutters set at $\frac{1}{4}$ (.250") inch open. Propane gas models have air shutters set at $\frac{3}{8}$ (.375) inch open. Closing the air shutter will cause a more yellow flame, but can lead to carboning. Opening the air shutter will cause a more blue flame, but can cause flame lifting from the burner ports. The flame may not appear yellow immediately; allow 15 to 30 minutes for the final flame colour to be established.

FIGURE 46



AIR SHUTTER ADJUSTMENT MUST ONLY BE DONE BY A QUALIFIED GAS INSTALLER!

REPLACEMENTS

Contact your dealer for questions concerning prices and availability of replacement parts. Normally all parts can be ordered through your Napoleon dealer or distributor.

When ordering replacement parts always give the following information:

1. MODEL & SERIAL NUMBER OF FIREPLACE
2. INSTALLATION DATE OF FIREPLACE
3. PART NUMBER
4. DESCRIPTION OF PART
5. FINISH

FOR WARRANTY REPLACEMENT PARTS, A PHOTOCOPY OF THE ORIGINAL INVOICE WILL BE REQUIRED TO HONOUR THE CLAIM.

*** IDENTIFIES ITEMS WHICH ARE NOT ILLUSTRATED. FOR FURTHER INFORMATION, CONTACT YOUR NAPOLEON DEALER.**

REPLACEMENT PARTS

#	PART NO.	DESCRIPTION
1	GL-618	LOG SET COMPLETE
2	W135-0097	EMBER/FRONT BRICK (#8L)
3	W135-0098	EMBER/FRONT BRICK (#8R)
4	W135-0030	LOG # 1
5	W135-0031	LOG # 2
6	W135-0032	LOG # 3
7	W135-0033	LOG # 4
8	W135-0034	LOG # 5
9	W135-0035	LOG # 6
10	W135-0036	LOG # 7
11*	W390-0001	LATCH
12*	W715-0196	TRIM
13	W010-0933	DOOR c/w GLASS
14	W010-0464	GLASS c/w GASKET
15*	W562-0024	DOOR GASKET (120")
16*	W225-0050	BLACK DOOR FRAME
17	GD-784KT	BRICK PANEL KIT
18	W475-0168	REAR BRICK PANEL
19	W475-0166	RIGHT SIDE BRICK PANEL
20	W475-0167	LEFT SIDE BRICK PANEL
21	W475-0165	BRICK BAFFLE
22*	W160-0032	LOUVRE HOOD CLIP
23*	W573-0008	HIGH TEMPERATURE SEALANT - 3 oz
24*	W430-0001	CERAMIC MAGNET
25*	W385-0245	NAPOLEON LOGO
26	W725-0025	NATURAL GAS VALVE
26	W725-0026	PROPANE GAS VALVE
27	W100-0050	BURNER
28	W455-0067	#30 BURNER ORIFICE - NG
28	W455-0041	#49 BURNER ORIFICE - LP
29*	W660-0042	BURNER ON/OFF SWITCH
30	W357-0001	PIEZO IGNITER
31	W455-0067	NATURAL GAS PILOT INJECTOR
31	W455-0069	PROPANE GAS PILOT INJECTOR
32	W010-0794	NATURAL GAS PILOT ASSEMBLY
32	W010-0795	PROPANE GAS PILOT ASSEMBLY
33	W680-0005	THERMOCOUPLE
34	W680-0004	THERMOPILE

ROOF TERMINAL KITS

35* 1/12 TO 7/12 PITCH	-	GD-110
36* 8/12 TO 12/12 PITCH	-	GD-111
37* FLAT ROOF	-	GD-112
38	W010-0569	AIR TERMINAL
39	W120-0036	VERTICAL CAP
40	W170-0063	STORM COLLAR
41	W010-0567	ROOF SUPPORT
42	W263-0054 / W263-0055 / W263-0056	ROOF FLASHING

TERMINAL KITS

43 PERISCOPE	-	GD-201
44 WALL TERMINAL KIT	-	GD-222R

VENT KITS

GD-220 (5 FOOT)

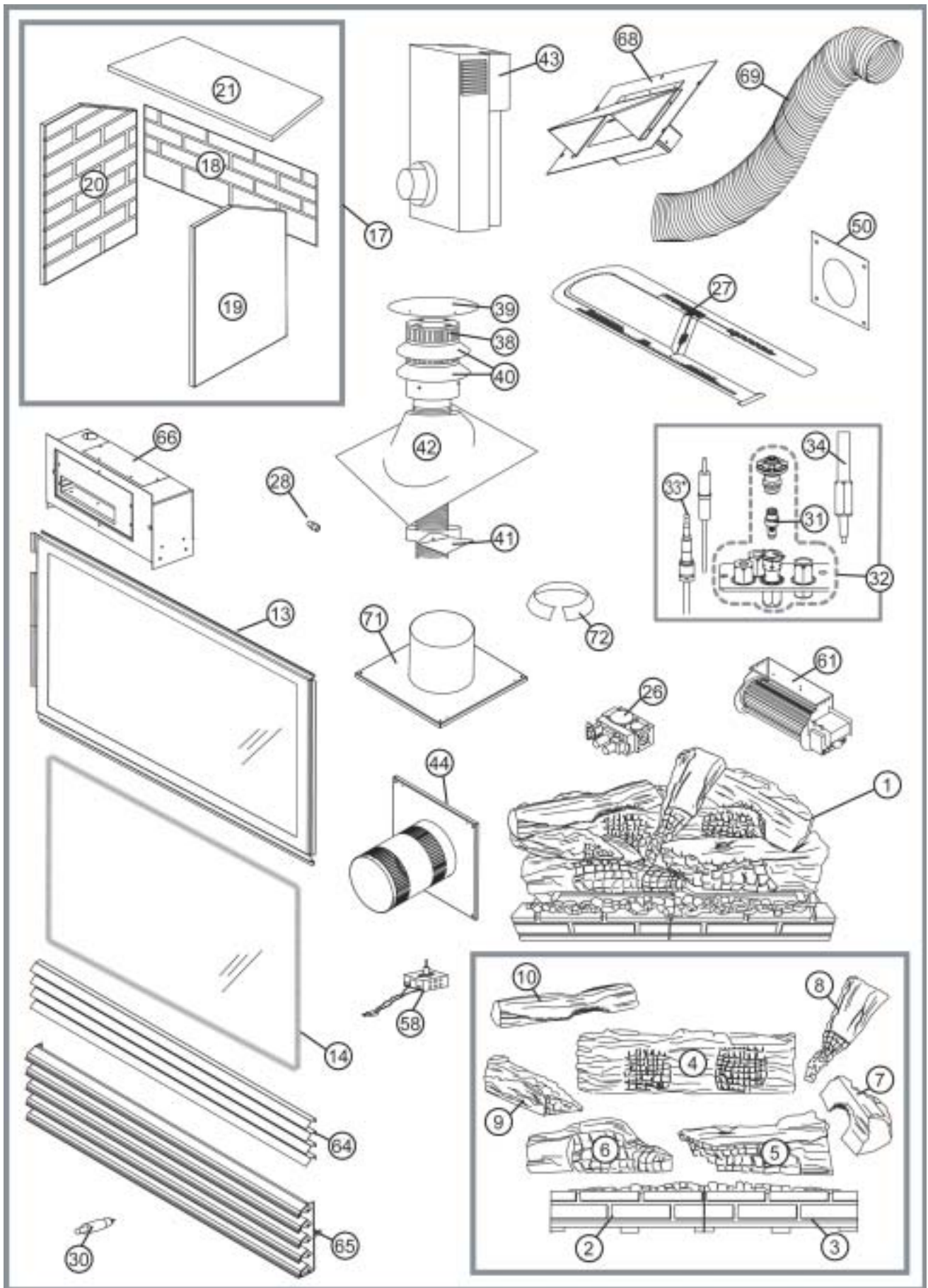
#	PART NO.	DESCRIPTION
45*	W010-0397	4" FLEXIBLE ALUMINIUM LINER - (5 FT) c/w SPACERS
46*	W410-0017	7" FLEXIBLE ALUMINIUM LINER - (5 FT)

GD-330 (10 FOOT)

#	PART NO.	DESCRIPTION
47*	W010-0370	WALL SUPPORT ASSEMBLY
48*	W010-0300	4" FLEXIBLE ALUMINIUM LINER - (10 FT) c/w SPACERS
49*	W410-0018	7" FLEXIBLE ALUMINIUM LINER -(10 FT)

ACCESSORIES

#	PART NO.	DESCRIPTION
50	W500-0096	FIRE STOP - FLEXIBLE VENTING
50	W500-0136	FIRE STOP - RIGID VENTING
51*	W010-0370	WALL SUPPORT ASSEMBLY
52*	W175-0013	7" COUPLER
53*	W175-0001	4" COUPLER
54*	W573-0008	HI-TEMP SEALANT 3 OZ
55*	W660-0013	MODULATING REMOTE
56*	GD825N	MODULATING VALVE REGULATOR FOR W660-0013 - NG
56*	GD825P	MODULATING VALVE REGULATOR FOR W660-0013 - P
57*	W660-0011B	REMOTE CONTROL - ADVANTAGE PLUS
58	KB35	VARIABLE SPEED SWITCH
59*	W500-0033	V.S.S. MOUNTING PLATE for wall switch
60*	W690-0001	MILLIVOLT THERMOSTAT
61	GZ550-1KT	BLOWER KIT
62*	GD65	FAN KIT
63*	GD36	THERMOSTATIC SENSOR CONTROL KIT FOR USE WITH GD65 ONLY
64	GDL45K	BLACK LOUVRE KIT
64	GDL45PB	POLISHED BRASS LOUVRE KIT
64	GDL45SS	STAINLESS STEEL LOUVRE KIT
65	L45K	BLACK LOUVRE KIT
65	L45PB	POLISHED BRASS LOUVRE KIT
65	L45SS	STAINLESS STEEL LOUVRE KIT
66	GA-566	HOT AIR DISTRIBUTION KIT
67*	W690-0005	THERMOSTAT 110V FOR USE WITH GA-566
68	GA-72	HOT AIR EXHAUST KIT
69	GA-70	EXTENSION KIT 5 FT
70*	W175-0053	DURA-VENT ZERO CLEARANCE ADAPTOR
71	W585-0072	VENT PIPE SHIELD
72	W585-0071	VENT PIPE COLLAR
73*	W175-0069	CONVERSION KIT - NG - LP
73*	W175-0068	CONVERSION KIT - LP - NG

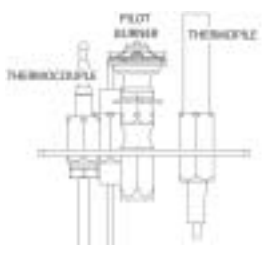


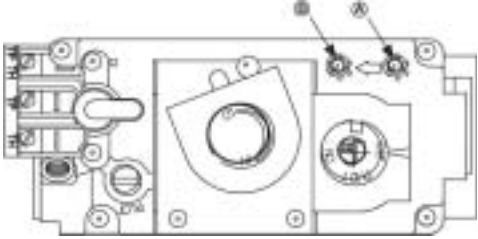
W415-0100 / D / 01.13.04

* **WARNING:** This is a fast acting thermocouple. It is an integral safety component. Replace only with a fast acting thermocouple supplied by Wolf Steel Ltd.

TROUBLE SHOOTING GUIDE

BEFORE ATTEMPTING TO TROUBLESHOOT, PURGE YOUR UNIT AND INITIALLY LIGHT THE PILOT AND THE MAIN BURNER WITH THE GLASS DOOR REMOVED.

SYMPTOM	PROBLEM	TEST SOLUTION
Pilot goes out when the gas knob is released. The gas valve has an interlock device which will not allow the pilot burner to be lit until the thermocouple has cooled. Allow approximately 60 seconds for the thermocouple to cool.	System is not correctly purged.	- purge the gas line with the glass door open.
	Out of propane gas.	- fill the tank.
	Pilot flame is not large enough	- turn up the pilot flame.
	Pilot flame is not engulfing the thermocouple.	- gently twist the pilot head to improve the flame pattern around the thermocouple.
	Thermocouple shorting / faulty.	- loosen and tighten thermocouple. - clean thermocouple and valve connection. - replace thermocouple. - replace valve.
	Faulty valve.	- replace.
Pilot will not light. 	No spark at pilot burner	- check if pilot can be lit by a match - check that the wire is connected to the push button ignitor. - check if the push button ignitor needs tightening. - replace the wire if the wire insulation is broken or frayed. - replace electrode if ceramic insulator is cracked or broken. - replace the push button ignitor.
	Out of propane gas	- fill the tank.
	Spark gap is incorrect	- spark gap should be 0.150" to 0.175" (5/32" to 11/64" approx.) from the electrode tip and the pilot burner. To ensure proper electrode location, tighten securing nut (finger tight plus 1/4 turn).
	No gas at the pilot burner	- check that the manual valve is turned on. - check the pilot orifice for blockage. - replace the valve. - call the gas distributor.
	Pilot burning; no gas to main burner; gas knob is on 'HI'; wall switch / thermostat is on.	Thermostat or switch is defective.
	Wall switch wiring is defective.	- disconnect the switch wires & connect a jumper wire across terminals 1 & 3; if the main burner lights, check the wires for defects and / or replace wires.
	Main burner orifice is plugged.	- remove stoppage in orifice.
	Faulty valve.	- replace.
Pilot goes out while standing; Main burner is in 'OFF' position.	Gas piping is undersized.	- turn on all gas appliances and see if pilot flame flutters, diminishes or extinguishes, especially when main burner ignites. Monitor appliance supply working pressure. - check if supply piping size is to code. Correct all undersized piping.
Main burner goes out; pilot stays on.	Pilot flame is not large enough or not engulfing the thermopile	- turn up pilot flame. - replace pilot assembly.
	Thermopile shorting	- clean thermopile connection to the valve. Reconnect. - replace thermopile / valve.
	Remote wall switch wire is too long; too much resistance in the system.	- shorten wire to correct length or wire gauge.
	Faulty thermostat or switch.	- replace.

SYMPTOM	PROBLEM	TEST SOLUTION
Main burner goes out; pilot goes out.	Refer to "MAIN BURNER GOES OUT; PILOT STAYS ON"	
	Vent is blocked	- check for vent blockage.
	Vent is re-circulating	- check joint seals and installation.
	4" flexible vent has become disconnected from fireplace.	- re-attach to fireplace.
Main burner flame is a blue, lazy, transparent flame.	Blockage in vent.	- remove blockage. In really cold conditions, ice buildup may occur on the terminal and should be removed as required.
	Incorrect installation.	- refer to Figure 16 to ensure correct location of storm collars.
Flames are very active.	Aggressive venting action due to vent height.	- Restrict vent exit. See " RESTRICTING VERTICAL VENTS ". - VENT HEIGHT LESS THAN 10 FEET: close air shutter slightly to reduce primary air. - VENT HEIGHT 10 TO 20 FEET: close restrictor plate by 2/3 (to 30° open) from the normal factory setting. - VENT HEIGHT MORE THAN 20 FEET: close restrictor plate completely from normal factory setting.
Flames are consistently too large or too small. Carboning occurs.	Unit is over-fired or under-fired.	- check pressure readings: Inlet pressure can be checked by turning screw (A) counter-clockwise 2 or 3 turns and then placing pressure gauge tubing over the test point. Gauge should read 7" (minimum 4.5") water column for natural gas or 13" (11" minimum) water column for propane. Check that main burner is operating on "HI". Outlet pressure can be checked the same as above using screw (B). Gauge should read 3.5" water column for natural gas or 10" water column for propane. Check that main burner is operating on "HI". AFTER TAKING PRESSURE READINGS, BE SURE TO TURN SCREWS CLOCKWISE FIRMLY TO RESEAL. DO NOT OVERTORQUE. Leak test with a soap and water solution.
		
Carbon is being deposited on glass, logs or combustion chamber surfaces.	Air shutter has become blocked	- ensure air shutter opening is free of lint or other obstructions.
	Flame is impinging on the logs or combustion chamber.	- check that the logs are correctly positioned. - open air shutter to increase the primary air. - check the input rate: check the manifold pressure and orifice size as specified by the rating plate values. - check that the door gasketing is not broken or missing and that the seal is tight. - check that both 4" and 7" vent liners are free of holes and well sealed at all joints. - check that minimum rise per foot has been adhered to for any horizontal venting.
White / grey film forms.	Sulphur from fuel is being deposited on glass, logs or combustion chamber surfaces.	- clean the glass with a recommended gas fireplace glass cleaner. DO NOT CLEAN GLASS WHEN HOT. If deposits are not cleaned off regularly, the glass may become permanently marked.
Exhaust fumes smelled in room, headaches.	Fireplace is spilling.	- check door seal and relief flap seal. - check for chimney blockage - check that chimney is installed to building code. - room is in negative pressure; increase fresh air supply.
Remote wall switch is in "OFF" position; main burner comes on when gas knob is turned to "ON" position.	Wall switch is mounted upside down	- reverse.
	Remote wall switch is grounding.	- replace.
	Remote wall switch wire is grounding.	- check for ground (short); repair ground or replace wire.
	Faulty valve.	- replace.

Free Manuals Download Website

<http://myh66.com>

<http://usermanuals.us>

<http://www.somanuals.com>

<http://www.4manuals.cc>

<http://www.manual-lib.com>

<http://www.404manual.com>

<http://www.luxmanual.com>

<http://aubethermostatmanual.com>

Golf course search by state

<http://golfingnear.com>

Email search by domain

<http://emailbydomain.com>

Auto manuals search

<http://auto.somanuals.com>

TV manuals search

<http://tv.somanuals.com>