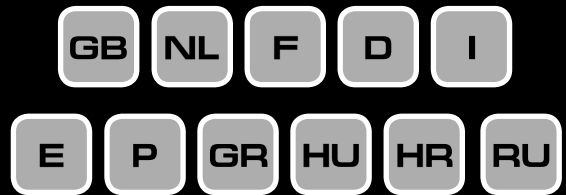


# *mr Handsfree<sup>®</sup>* *Blue Vision II*



## User's manual



SMART MOBILE TECHNOLOGY™

[www.mrhandsfree.com](http://www.mrhandsfree.com)

Download from [www.Somanuals.com](http://www.Somanuals.com). All Manuals Search And Download.

## DECLARATION OF CONFORMITY

We, the undersigned,

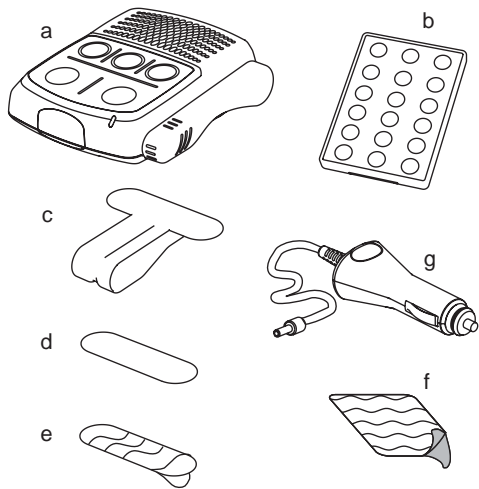
<b>Company:</b>	TE-GROUP nv
<b>Address:</b>	Kapelsestraat 61, 2950 Kapellen - BELGIUM

declare, that the following equipment:

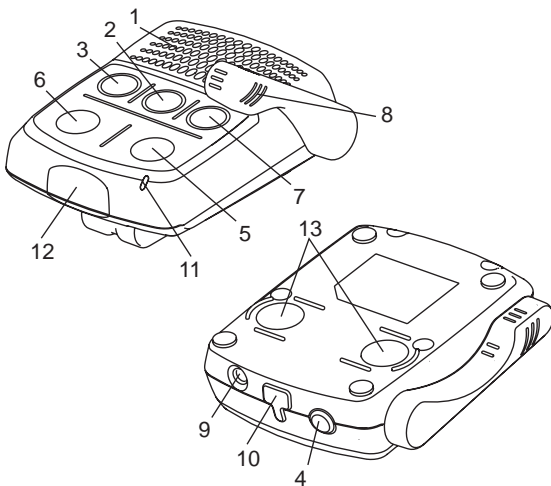
<b>Product Name:</b>	mr Handsfree Blue Vision II
<b>Product Type:</b>	Bluetooth® Speakerphone

Conforms with the requirements of European Council Directive 99/5/EC, 89/336/EEC amended with 92/31/EEC.

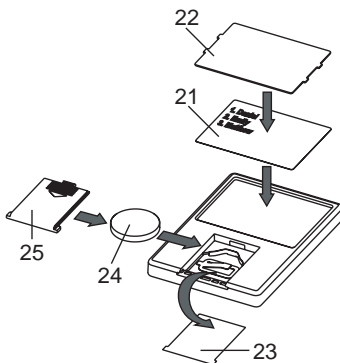
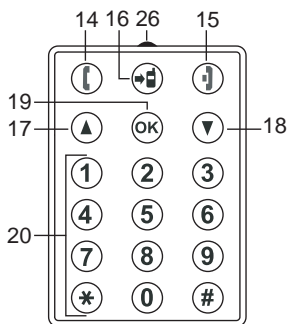




**Illustration I**



**Illustration II**



**Illustration III**

## TABLE OF CONTENTS

<b>SAFETY INSTRUCTIONS .....</b>	<b>2</b>
<b>WHAT DOES MR HANDSFREE BLUE VISION II INCLUDE?.....</b>	<b>2</b>
<b>OVERVIEW .....</b>	<b>2</b>
<b>GETTING STARTED.....</b>	<b>3</b>
<b>INSTALLATION .....</b>	<b>3</b>
<b>PAIRING .....</b>	<b>4</b>
<b>OPERATION .....</b>	<b>5</b>
<b>TROUBLE-SHOOTING.....</b>	<b>7</b>
<b>BLUETOOTH® .....</b>	<b>7</b>
<b>TECHNICAL DATA .....</b>	<b>7</b>
<b>CARE AND MAINTENANCE .....</b>	<b>7</b>
<b>GUARANTEE.....</b>	<b>8</b>

## SAFETY INSTRUCTIONS

1. Make sure that the operation of the carkit will never influence your safety.
2. Make sure not to impact the steering or braking system or other key systems essential for proper operation of the car when installing the carkit. Make sure that the deployment of the airbag is not blocked or impaired in any way.
3. The carkit may only be used at an operating voltage of 12-24V with the minus pole earthed. Failure to observe this requirement may result in damage to the car's electronics system.
4. Make sure that the visor mounting cannot cause any damage to your body in case of an accident.

## WHAT DOES MR HANDSFREE BLUE VISION II INCLUDE?

### See Illustration I

- a. Handsfree unit with built-in speaker
- b. Infrared remote control
- c. Clip for sun visor fixation
- d. Clip for dashboard fixation
- e. Double-sided tape for dashboard fixation
- f. VELCRO-part for fixation of the remote control
- g. Cigarette plug for connecting the Blue Vision II to the power supply of the car via the cigarette lighter

## OVERVIEW

### MAIN UNIT

#### See Illustration II

1. Speaker
2. Volume Up button
3. Volume Down button
4. Power On/Off button
5. Talk button: Answering calls / Voice dialing / Switching between two calls
6. Reject button: Ending calls / Rejecting calls / Redial / Ending the current call and answering the incoming 2nd call
7. Pairing/Connection button
8. Built-in microphone
9. Charging socket
10. Service socket
11. Battery status indicator
12. Infrared receiver
13. Two magnets for fixation of the clips

### REMOTE CONTROL

#### See Illustration III

14. Talk button: Answering calls / Voice dialing
15. Reject button: Ending calls / Rejecting calls / Redial
16. Mute button for private calls
17. Volume Up button
18. Volume Down button
19. Speed dial programming button

20. Digital keypad
21. Memo card
22. Memo card protection film
23. Removable battery insulation film
24. Lithium-Polymer battery
25. Battery cover
26. Infrared transmitter

## GETTING STARTED

The mr Handsfree Blue Vision II is compatible with most Bluetooth® mobile phones.

Since devices with Bluetooth® technology communicate through radio waves, your carkit and your mobile phone do not need to be in direct line-of-sight. The 2 devices only need to be within a maximum of 10 meters of each other, so you do not need to take your phone out of your pocket or bag to make and receive calls via the carkit.

Since Bluetooth® phones produced by different manufacturers provide various functionalities; some functions described in this user's manual could be different or may not be available.

### ACTIVATING THE REMOTE CONTROL

Open the battery cover (25) and take out the insulation film (23). → Install the battery (24) with observance of polarity. → Close the battery cover (25). Now the remote control is ready to use.

#### **Important!**

**The remote control and the carkit are connected via an infrared channel. Please make sure that the infrared transmitter (26) and the receiver (12) are directed towards each other during operation.**

### CHARGING THE BATTERY

The mr Handsfree Blue Vision II comes with a Lithium-Polymer rechargeable battery. The battery is charged preliminary, but nevertheless we recommend charging it before using the carkit for the first time.

Plug the adapter jack into the charging socket (9) and the cigarette plug into the cigarette lighter. → The battery status indicator (11) will light red or green when the charging process begins. → If the indicator (11) lights red, the carkit should be charged until the indicator (11) will light green. → Unplug the vehicle charger from the carkit.

#### **Note:**

- You can use the Blue Vision II during the charging process.
- The Blue Vision II is compatible with Nokia mobile phone travel chargers. So you can use them to charge the Blue Vision II at home.

### TURNING THE CARKIT ON/OFF

To turn on the carkit, press and hold the Power button (4) for 5 seconds until the battery status indicator (11) will light green and you will hear a melody tone. → The battery status indicator (11) will start to flash. → To turn off the carkit, press and hold the Power button (4) until you will hear a melody tone and the battery status indicator (11) will turn off.

## INSTALLATION

### MAIN UNIT

**On the sun visor:** Fix the main unit on the sun visor using the special clip (c) and direct the microphone beam (8) to your mouth. This is the main working position of the microphone beam: the microphone beam should be rotated from the main unit and its end should be directed to your mouth.

**On the dashboard:** Fix the main unit on the dashboard using the double-sided tape and the metal flat clip for dashboard fixation (d).

For optimum performance, the microphone should be located at distance of 30-50 cm from the drivers' mouth.

**Note:**

We advise not to change the microphone position during the activated call, since an echo effect could appear. If you follow this advice, you will have a comfortable duplex communication mode of your phone conversation.

## REMOTE CONTROL

To fix the remote control on the dashboard, you should remove the memo card (21) from the backside of the remote control. After this card has been removed, you can fix the remote control on the dashboard using Velcro (6). Make sure that the remote control infrared transmitter (26) is directed towards the infrared receiver (12) of the main unit and both units are in line of sight of each other.

## PAIRING

You are required to pair the Blue Vision II with your mobile phone before using it.

Your Blue Vision II can store pairing information for up to 2 different Bluetooth® telephones. When an attempt to pair more than 2 devices is made, the oldest paired device is removed from the memory.

When any of the paired devices is in the range of 10 meters and the Blue Vision II is turned on, the Blue Vision II will automatically initiate a connection with the last mobile phone it was connected to. In case this phone is not available, the Blue Vision II will automatically search for the second paired phone for connection. The Blue Vision II can have one active connection.

Make sure that your phone and the carkit are switched on. → Press and hold the Pairing button (7) for 5 seconds until you hear a melody tone and the indicator (11) flashes by green and red colors alternately. The pairing mode is now activated for two minutes (during these 2 minutes, the indicator (11) will keep on flashing). → Enter your phone's Bluetooth® menu and make sure that the Bluetooth® feature is activated. → Enter the submenu where you can set the phone to search for Bluetooth® devices and start the search. → The phone will search all Bluetooth® devices within 10 meters and display them as a list. → Select Blue Vision II from the list. → Enter the passkey "0000" to pair and connect the Blue Vision II to your phone. → The indicator (11) will stop blinking and "Blue Vision II" appears in the phone menu where you can see the Bluetooth® devices that are currently paired with your phone.

## CONNECTION

In some cases the Blue Vision II can be disconnected from your phone and you will need to restore the connection.

- If the Blue Vision has been switched off: Switch on the power and the connection will be restored automatically.
- If the mobile phone has been switched off: Turn on the mobile phone and restore the connection via the phone's menu.
- If one of the two devices has been out of range: Make sure that both devices are within working range and press the Connection button (7) once.

**Note:**

For all mobile phone types, it is recommended to set "Trust" or "Authorized" for Blue Vision II in the Bluetooth® menu of your mobile phone. Please refer to the manual of your mobile phone for more detailed information.

## DISCONNECTION

You can disconnect the carkit from your phone when, for example, you want to use another Bluetooth® device with your phone. The Blue Vision II can be disconnected in the following ways:

1. Switch off the carkit.
2. Disconnect the carkit in the phone's menu.
3. Move the phone more than 10 meters away from the carkit.

# OPERATION

Before using the mr Handsfree Blue Vision II make sure that:

- The carkit is paired and connected to your phone.
- The phone's Bluetooth® feature is on; see your phone's user's manual.
- The carkit is switched on and the battery status indicator (11) is blinking.

## MAKING A CALL

### Using your mobile phone's keypad

Dial a number on the keypad. → Press the phone's Talk button.

### Using voice dialing

When no call is in progress, press the Talk button (5) or the Talk button (14) on the remote control once. → You will hear a tone that indicates that you can say the desired name ("voice tag"). → Say the voice tag. → The phone plays the voice tag and dials the related phone number.

You can also activate voice dialing with your phone. For details on voice dialing, please refer to your phone's user's manual. Please note that the voice dialing function is only available if it is supported by your mobile phone.

### Using the digital keypad on the remote control

Press the keypad buttons to compose the number (for "+", you should press and hold the \* button until you hear a confirmation beep). → Press the Talk button (14) on the remote control to start the call.

### Using speed dialing

Speed dialing allows you to set a single-digit number for the telephone numbers you call most. You only have to select the speed dial number to dial the corresponding telephone number. The Blue Vision II can store up to 10 speed dial numbers.

#### Programming speed dial numbers

Press and hold the "OK" button (19) on the remote control for 2 seconds until you hear a double beep tone. → Press a button from "0" to "9" to select the memory location where you would like to store the telephone number. You will hear a double beep tone. → Enter the telephone number using the digital keypad. → Press the "OK" button (19) to confirm the number or press the Reject button (15) if you don't want to save the number. You will hear a double beep tone. → The telephone number you have entered will now correspond to the selected speed dial number.

#### **Note:**

- You can write the names for the recorded speed dial numbers on the back side of the remote control where the corresponding memo card (21) is provided.
- If you want to replace a programmed telephone number in the speed dial memory, you should follow the same steps as described above to overwrite the number by a new telephone number.

#### Making a call

Select the speed dial number to which you have assigned the telephone number that you would like to call. → Press and hold the corresponding digital button on the remote control for 2 seconds. → You will hear a triple beep tone and the corresponding telephone number will be dialed.

#### Deleting all speed dial numbers

Switch off the power of the Blue Vision II by using the ON/OFF button (4). → Press and hold the Reject button (6) of the main unit and press the ON/OFF button (4) for 1 second while pressing the Reject button (6). → You will hear a confirmation tone to indicate that the speed dial list has been cleared. → Your Blue Vision II is now in ON position.



## Redialing the last dialed number

Press the Reject button (6) or the Reject button (15) on the remote control while no call is in progress. → You will hear a double beep and the phone will dial the last dialed number.

## ENDING A CALL

Press the Reject button (6) or the Reject button (15) on the remote control to end the call with your mobile phone.

## ANSWERING A CALL

Press the Talk button (5) or the Talk button (14) on the remote control.

## AUTOMATIC ANSWER

If the Automatic answer function is set on your phone, the phone automatically answers the incoming call after some rings.

## REJECTING A CALL

Press the Reject button (6) or the Reject button (15) on the remote control.

## SECOND INCOMING CALL

If you get a second call during a conversation, you will hear a beep tone and you have the following two options:

1. Press the Talk button (5) or the Talk button (14) on the remote control to receive the second call and put the current call on hold.  
→ You can press the Talk button (5) or the Talk button (14) on the remote control again to switch between the two calls.
2. Press the Reject button (6) or the Reject button (15) on the remote control to receive the second call and reject the current call.

### Note:

Some phones don't support this feature via Bluetooth® or require confirmation from the telephone menu.

## ADJUSTING THE CARKIT SPEAKER VOLUME

When your phone and the carkit just paired, the volume is set in the middle level automatically. Press the Volume Up button (2 or 17) to increase the volume level or the Volume Down button (3 or 18) to decrease the volume.

When the maximum or minimum level of the carkit's speaker is reached, you will hear a loud beep tone.

## PRIVATE CALL (SWITCHING CALLS BETWEEN CARKIT AND MOBILE PHONE)

To switch the call from the carkit to the mobile phone, press the Mute button (16) on the remote control. → You will hear a double beep tone and the call will be transferred to your mobile phone. → To switch the current phone call from your mobile phone to the carkit press the Mute button (16) again or select the corresponding item in the phone's menu (depending on your mobile phone).

## DTMF COMMANDS

If you need to dial a DTMF command during a call, use the digital keypad (20) on the remote control. → Press the Talk button (14) on the remote control to send the DTMF command.

## HANDSFREE / HEADSET MODE

Some phones require Bluetooth® operation in Headset mode.

To activate the Headset mode, switch off the Blue Vision II. → Press and hold the Talk button (5) and switch on the power. You will hear a melody tone. → Disconnect your mobile phone and the Blue Vision II as described in the chapter "*Disconnection*". → Restore the Bluetooth® connection as described in the chapter "*Connection*". → From now your Blue Vision II will work with your phone in Headset mode. → To restore the Handsfree mode operation, you should repeat this procedure.

## TROUBLE-SHOOTING

Problem	Reason	Elimination
The device doesn't charge from the cigarette plug. Green LED of the cigarette plug is off.	<ul style="list-style-type: none"><li>• The cigarette lighter jack is damaged.</li><li>• No contact between power adapter and cigarette lighter jack.</li></ul>	<ul style="list-style-type: none"><li>• Check the car's electric circuitry.</li><li>• Check the connection in the cigarette plug.</li></ul>
The device doesn't turn on when the On/Off button is pressed for 5 seconds.	The battery is completely discharged.	<ul style="list-style-type: none"><li>• Connect a power adapter and charge the battery.</li><li>• Apply to a service center.</li></ul>

## BLUETOOTH®

The *Bluetooth*® word mark and logos are owned by the Bluetooth SIG, Inc. and any use of such marks by TE-Group NV is under license. Other trademarks and trade names are those of their respective owners.

## TECHNICAL DATA

Parameter	Value
Charging time	< 3 hours
Vehicle cigarette lighter voltage	10 – 30 V
Standby time	Up to 300 hours
Talk time	Up to 24 hours

## CARE AND MAINTENANCE

The Blue Vision II is a product of superior design and should be treated with care. The suggestions below will help you to fulfill any warranty obligations and to enjoy this product for many years.

- Keep the carkit dry. Precipitation, humidity and all types of liquids or moistures can contain minerals that will corrode the electronic circuitry.
- Do not use or store the carkit in hot areas. High temperatures can shorten the life of electronic devices and warp or melt certain plastics.
- Do not store the carkit in cold areas. When it warms up (to its normal temperature), moisture can form inside, which may damage the electronic circuitry boards.
- Do not attempt to open the carkit. Non-expert handling may damage it.
- Do not use harsh chemicals, cleaning solvents, or strong detergents to clean the device.

If the device is not working properly, take it to your nearest qualified service facility. The personnel there will assist you and, if necessary, arrange for service.

***Mr Handsfree wishes you a nice and safe trip!***

# GUARANTEE

Mr Handsfree is a registered trademark of TE-Group NV.

The mr Handsfree brand stands for superior product quality and outstanding customer service. That is why mr Handsfree warrants this product against all defects in material and workmanship for a period of **three (3) years** from the date of original purchase of the product.

The conditions of this guarantee and the extent of responsibility of mr Handsfree under this guarantee are as follows:

- This guarantee is limited to the original purchaser of the product and is not transferable to any subsequent purchaser/end user.
- During the guarantee period, the sole responsibility of mr Handsfree will be limited to repair or replace, at its option, any defective parts of the product if this is needed because of malfunction or failure under normal use and conditions. No charge shall be made to the customer for parts and/or repair labor.
- The product must be shipped to an authorized service center in its original and complete packaging, with transportation charges prepaid. Mr Handsfree will not assume responsibility for any losses or damages during transportation.
- To obtain repair or replacement within the terms of this guarantee, the customer must provide (a) a proof of purchase (e.g. dated bill of sale); (b) a written specification of the defect(s); (c) a return address and phone number.
- This guarantee does not cover and is void with respect to the following:
  - (a) Products which have been subjected to improper installation, unauthorized repair, improper maintenance, unauthorized modifications or other acts which are not the fault of mr Handsfree;
  - (b) Products which have been subjected to misuse, abuse, neglect, improper handling and storage, an accident or physical damage;
  - (c) Products which have been subjected to fire, water, excessive humidity, sand, dirt, extreme changes in temperature or other conditions which are beyond the control of mr Handsfree;
  - (d) Products which have been used with non-mr Handsfree approved accessories;
  - (e) Products which have the serial number altered, defaced or removed;
  - (f) Products which have been opened, altered, repaired or modified by any unauthorized service center.
- Excluded from any guarantee are consumable items which may need replacing due to normal wear and tear, such as batteries, ear cushions, decorative parts and other accessories.
- This guarantee gives you specific legal rights, and you may also have other rights which vary from country to country.

## INHOUDSOPGAVE

VEILIGHEIDSINSTRUCTIES.....	2
WAT OMVAT DE MR HANDSFREE BLUE VISION II? .....	2
OVERZICHT .....	2
STARTPROCEDURE.....	3
INSTALLATIE.....	4
PAIRING .....	4
WERKING .....	5
VERHELPE VAN PROBLEMEN .....	7
BLUETOOTH® .....	7
TECHNISCHE PARAMETERS .....	7
ZORG EN ONDERHOUD .....	8
GARANTIE.....	8

## VEILIGHEIDSINSTRUCTIES

1. Zorg ervoor dat de werking van de carkit geen invloed heeft op uw veiligheid.
2. Zorg ervoor dat u tijdens de installatie van de carkit het besturing- of remsysteem of een ander systeem essentieel voor de goede werking van uw wagen niet beïnvloedt. Zorg ervoor dat het uiteenvouwen van de airbags niet geblokkeerd wordt of onmogelijk is.
3. De carkit mag enkel gebruikt worden op een werkingsspanning van 12-24V met een negatieve aarding. Het negeren van deze vereiste kan resulteren in schade aan het elektronisch systeem van uw wagen.
4. Zorg ervoor dat de bevestiging aan de zonnepaneel uw lichaam niet kan verwonden bij een ongeval.

## WAT OMVAT DE MR HANDSFREE BLUE VISION II?

### Zie illustratie I

- a. Handsfree toestel met ingebouwde luidspreker
- b. Infrarood afstandsbediening
- c. Clip voor bevestiging aan de zonnepaneel
- d. Clip voor bevestiging op het dashboard
- e. Dubbelzijdig plakband voor bevestiging op het dashboard
- f. VELCRO voor bevestiging van de afstandsbediening
- g. Sigarenplug voor het verbinden van de Blue Vision II met de stroomvoorziening van de wagen via de sigarenaansteker

## OVERZICHT

### HOOFDEENHEID

#### Zie illustratie II

1. Luidspreker
2. Volume Omhoog toets
3. Volume Omlaag toets
4. Aan/Uit toets
5. Gesprektoets: Oproepen beantwoorden / Spraakherkenning (Voice dialing) / Wisselen tussen 2 oproepen
6. Verbreektoets: Oproepen beëindigen / Oproepen weigeren / Nummerherhaling / Huidige oproep beëindigen en 2e oproep beantwoorden
7. Toets voor Pairing/Verbinding
8. Ingebouwde microfoon
9. Oplaadcontact
10. Servicecontact
11. Batterijstatus indicatielampje
12. Infrarood ontvanger
13. Twee magneten voor bevestiging van de clips

### AFSTANDBEDIENING

#### Zie illustratie III

14. Gesprektoets: Oproepen beantwoorden / Spraakherkenning (Voice dialing)
15. Verbreektoets: Oproepen beëindigen / Oproepen weigeren / Nummerherhaling
16. "Mute" toets voor privégesprekken

17. Volume Omhoog toets
18. Volume Omlaag toets
19. Toets voor het programmeren van snelkeuzenummers
20. Digitaal toetsenbord
21. Memokaart
22. Beschermingsplastic voor memokaart
23. Isolatieplastic voor batterij
24. Lithium-Polymeer batterij
25. Batterijdeksel
26. Infrarood zender

## STARTPROCEDURE

De mr Handsfree Blue Vision II is compatibel met de meeste Bluetooth® telefoons.

Omdat toestellen met Bluetooth® technologie communiceren via radiogolven, is het niet nodig dat uw carkit en uw mobiele telefoon zich binnen het directe gezichtsveld bevinden. De 2 toestellen dienen zich enkel binnen een maximum afstand van 10 meter van elkaar te bevinden. U hoeft uw mobiele telefoon dus niet uit uw zak of tas te halen om te bellen of gebeld te worden via uw carkit.

Omdat Bluetooth® telefoons geproduceerd door verschillende fabrikanten verschillende functies bevatten, kunnen sommige functies beschreven in deze handleiding, anders of niet beschikbaar zijn.

### DE AFSTANDSBEDIENING ACTIVEREN

Open het batterijdeksel (25) en verwijder het isolatieplastic (23). → Installeer de batterij (24) rekening houdend met de polariteit. → Sluit het batterijdeksel (25). De afstandsbediening is nu klaar voor gebruik.

#### **Belangrijk!**

**De afstandsbediening en de carkit staan zijn met elkaar verbonden via een infrarode straling. Zorg ervoor dat de zender (26) en de ontvanger (12) van de infrarode straling naar elkaar gericht zijn tijdens de werking.**

### BATTERIJ OPLADEN

De mr Handsfree Blue Vision II wordt geleverd met een Lithium-Polymeer herlaadbare batterij. De batterij werd al opgeladen, maar toch raden wij u aan de batterij nogmaals op te laden voor u de carkit voor de eerste maal in gebruik neemt.

Steek de stekker van de adapter in het oplaadcontact (9) en de sigarenplug in de sigarenaansteker. → Het batterijstatus indicatielampje (11) zal rood of groen oplichten wanneer het opladen begint. → Als het indicatielampje (11) rood oplicht, dient de carkit opgeladen te worden tot het lampje (11) groen wordt. → Maak de sigarenplug los van de carkit.

#### **Opmerking:**

- U kunt de Blue Vision II gebruiken tijdens het oplaadproces.
- De Blue Vision II is compatibel met AC adapters van Nokia. U kunt deze dus gebruiken om uw Blue Vision II thuis op te laden.

### DE CARKIT AAN/UIT SCHAKELEN

Om de carkit aan te schakelen, houdt u de Aan/Uit toets (4) ingedrukt gedurende 5 seconden tot het batterijstatus indicatielampje (11) groen oplicht en u een melodie hoort. → Het batterijstatus indicatielampje (11) begint te knipperen. → Om de carkit uit te schakelen, houdt u de Aan/Uit toets (4) ingedrukt tot u een melodie hoort en het batterijstatus indicatielampje (11) uit gaat.

# INSTALLATIE

## HOOFDEENHEID

**Bevestiging aan de zonneklep:** Bevestig de carkit aan de zonneklep door gebruik te maken van de speciale clip (c) en richt de microfoonarm (8) naar uw mond. Dit is de belangrijkste positie van de microfoonhouder: de microfoon aan de voorzijde dient naar uw mond gericht te worden en de microfoon aan de achterzijde naar het metalen scherm van de luidspreker.

**Bevestiging op het dashboard:** Bevestig de carkit op het dashboard door gebruik te maken van het dubbelzijdige plakband en de metalen clip (d).

Voor een perfecte werking dient de microfoon op minstens 30-50 cm van de mond van de bestuurder aangebracht te zijn.

### Opmerking:

Wij raden u aan de positie van de microfoon niet te veranderen tijdens een oproep, omdat er een echo-effect kan ontstaan. Als u dit advies volgt, biedt de Blue Vision II u een comfortabele duplex communicatie tijdens uw telefoongesprekken.

## AFSTANDSBEDIENING

Wanneer u de afstandsbediening op het dashboard wilt bevestigen, dient u het memokaartje (21) aan de achterkant van de afstandsbediening te verwijderen. Hierna kunt u de afstandsbediening op het dashboard bevestigen met behulp van de Velcro (6). Zorg ervoor dat de infrarood zender (26) van de afstandsbediening gericht is naar de infrarood ontvanger (12) van de hoofdeenheid.

## PAIRING

Voor gebruik dient u de Blue Vision II eenmalig met uw mobiele telefoon te koppelen (pairen).

Uw Blue Vision II kan koppelingsinformatie van 2 verschillende Bluetooth® telefoons opslaan. Wanneer u probeert meer dan 2 toestellen te koppelen, zal het eerst gekoppelde toestel uit het geheugen verwijderd worden. Wanneer een van de gekoppelde toestellen zich binnen het bereik van 10 meter bevindt en de Blue Vision II aangeschakeld wordt, zal de Blue Vision II automatisch een verbinding tot stand brengen met de telefoon waarmee het laatst een verbinding werd gemaakt. Indien deze telefoon niet beschikbaar is, zal de Blue Vision II automatisch zoeken naar de tweede gekoppelde telefoon om een verbinding te maken. De Blue Vision II kan één actieve verbinding hebben.

Zorg ervoor dat uw telefoon en de carkit aangeschakeld zijn. → Druk op de Pairing toets (7) en houd deze 5 seconden ingedrukt tot u een melodie hoort en het batterijstatus indicatielampje (11) afwisselend groen en rood begint te knipperen. De koppelingsmodus is nu gedurende 2 minuten geactiveerd (tijdens deze 2 minuten zal het batterijstatus indicatielampje (11) blijven knipperen). → Ga naar het Bluetooth® menu van uw telefoon en zorg ervoor dat de Bluetooth®-functie geactiveerd is. → Ga naar het submenu waar u het zoeken naar Bluetooth® toestellen kunt instellen en start het zoeken. → De telefoon zal op zoek gaan naar alle Bluetooth® toestellen binnen een bereik van 10 meter en zal deze in een lijst weergeven op het scherm. → Selecteer de Blue Vision II in de lijst. → Breng de PIN-code "0000" in om de Blue Vision II te pairen (koppelen) en te verbinden met uw telefoon. → Het batterijstatus indicatielampje (11) zal stoppen met knipperen en "Blue Vision II" verschijnt in het menu waar u de Bluetooth® toestellen kunt bekijken die gekoppeld zijn met uw telefoon.

## VERBINDING

In enkele gevallen zou het kunnen dat de verbinding van de Blue Vision II met uw telefoon verbroken wordt zodat u de verbinding dient te herstellen.

- Wanneer de Blue Vision II uitgeschakeld werd: Schakel de stroom aan en de verbinding wordt automatisch hersteld.
- Wanneer de mobiele telefoon uitgeschakeld werd: Schakel de telefoon terug aan en herstel de verbinding via het menu van uw telefoon.
- Wanneer de twee toestellen zich niet binnen het bereik bevinden: Zorg ervoor dat beide toestellen zich binnen het bereik van 10 meter bevinden en druk eenmaal op de Verbindingstoets (7).

### **Opmerking:**

Voor alle types van mobiele telefoons is het aangeraden om "Geaccepteerd" of "Geautoriseerd" te kiezen voor uw Blue Vision II in het Bluetooth® menu van uw mobiele telefoon. Raadpleeg de handleiding van uw mobiele telefoon voor meer informatie.

## **VERBINDING VERBREKEN**

U kunt de verbinding tussen de carkit en de telefoon verbreken wanneer u bijvoorbeeld uw telefoon met een ander Bluetooth® apparaat wilt gebruiken. U kunt de verbinding met de Blue Vision II verbreken op de volgende manieren:

1. Schakel de carkit uit.
2. Verbreek de verbinding met de carkit in het menu van de telefoon.
3. Plaats de telefoon op een afstand van meer dan 10 m van de carkit.

## **WERKING**

Alvorens de mr Handsfree Blue Vision II te gebruiken, dient u ervoor te zorgen dat:

- De carkit gekoppeld en verbonden is met uw telefoon.
- De Bluetooth®-functie van uw telefoon geactiveerd is; raadpleeg de gebruiksaanwijzing van uw telefoon.
- De carkit aangeschakeld is en het batterijstatus indicatielampje (11) knippert.

## **TELEFONEREN**

### **Met de toetsen van uw mobiele telefoon**

Vorm een nummer met de toetsen van uw telefoon. → Druk op de Gesprektoets van uw telefoon.

### **Met spraakherkenning (voice dialing)**

Druk op de Gesprektoets (5) of op de Gesprektoets (14) van de afstandsbediening wanneer er geen oproep plaatsvindt. → U hoort een toon die aangeeft dat u de gewenste naam ("voice tag") kunt uitspreken. → Spreek de naam ("voice tag") uit. → De telefoon herhaalt de naam en belt het nummer dat aan deze naam verbonden is.

Spraakherkenning kan ook geactiveerd worden via uw telefoon. Raadpleeg de handleiding van uw telefoon voor meer details over spraakherkenning. De spraakherkenningfunctie is enkel beschikbaar als uw telefoon deze ondersteunt.

### **Met het digitale toetsenbord van de afstandsbediening**

Vorm een nummer met de toetsen van uw afstandsbediening (om "+" in te geven, dient u de \* toets ingedrukt te houden tot u een bevestigingston hoor). → Druk op de Gesprektoets (14) van de afstandsbediening om het nummer te bellen.

### **Met snelkeuzenummers (speed dialing)**

De Snelkeuze functie maakt het mogelijk een enkel cijfer te programmeren voor de telefoonnummers die u het vaakst belt. U dient enkel het desbetreffende snelkeuzenummer te selecteren om het overeenkomstige telefoonnummer te bellen. De Blue Vision II heeft een geheugen voor 10 snelkeuzenummers.

#### Snelkeuzenummers programmeren

Houd de "OK" toets (19) van uw afstandsbediening gedurende 2 seconden ingedrukt tot u een dubbele biepton hoort. → Druk op een toets van "0" tot "9" om de geheugenlocatie te selecteren waar u het telefoonnummer wenst op te slaan. U hoort een dubbele biepton. → Voer het telefoonnummer in via het digitale toetsenbord. → Druk op de "OK" toets (19) om het volledige nummer te bevestigen of druk op de Verbreektoets (15) om te annuleren. U hoort een dubbele biepton. → Het telefoonnummer dat u heeft ingevoerd, is nu toegewezen aan het snelkeuzenummer dat u heeft geselecteerd.

### **Opmerking:**

- U kunt de namen die bij de opgeslagen snelkeuzenummers horen op het memokaartje schrijven dat zich op de achterkant van de afstandsbediening bevindt.



- Wanneer u een bestaand telefoonnummer uit het snelkeuzegeheugen wilt vervangen door een nieuw telefoonnummer, dient u dezelfde stappen te volgen als hierboven beschreven

#### Snelkeuzenummers bellen

Selecteer het snelkeuzenummer waaraan u het gewenste telefoonnummer heeft toegewezen. → Houd de toets met het desbetreffende nummer op de afstandsbediening ingedrukt gedurende 2 seconden. → U hoort drie bieptonen en het overeenkomstige nummer wordt gebeld.

#### Alle snelkeuzenummers verwijderen

Schakel de Blue Vision II uit met de Aan/Uit toets (4). → Druk op de Verbreekttoets (6) van het Handsfree toestel en houd deze ingedrukt terwijl u 1 seconde op de Aan/Uit toets (4) drukt. → U hoort een bevestigingstoon die aangeeft dat de snelkeuzenummers uit het geheugen verwijderd worden. → Uw Blue Vision II is nu aangeschakeld.

### **Nummerherhaling**

Druk op de Verbreekttoets (6) of op de Verbreekttoets (15) van de afstandsbediening wanneer er geen oproep plaatsvindt. → U hoort een dubbele biepton en uw telefoon zal het laatst opgeroepen nummer opnieuw opbellen.

### **OPROEP BEËINDIGEN**

Druk op de Verbreekttoets (6) of op de Verbreekttoets (15) van de afstandsbediening om de huidige oproep te beëindigen of beëindig de oproep met uw mobiele telefoon.

### **OPROEP BEANTWOORDEN**

Druk op de Gesprektoets (5) of op de Gesprektoets (14) van de afstandsbediening.

### **AUTOMATISCH ANTWOORD**

Als de automatische antwoordfunctie van uw telefoon geactiveerd is, zal de telefoon de inkomende oproep automatisch beantwoorden nadat het toestel enkele keren gerinkeld heeft.

### **OPROEP WEIGEREN**

Als u een inkomende oproep niet wilt beantwoorden, kunt u de oproep weigeren door op de Verbreekttoets (6) of op de Verbreekttoets (15) van de afstandsbediening te drukken.

### **TWEDE OPROEP**

Wanneer u tijdens een gesprek een tweede oproep ontvangt, hoort u een biepton en heeft u de volgende opties:

1. Druk op de Gesprektoets (5) of op de Gesprektoets (14) van de afstandsbediening om de tweede oproep aan te nemen en de huidige oproep in wacht te zetten. → U kunt op de Gesprektoets (5) of op de Gesprektoets (14) van de afstandsbediening drukken om te wisselen tussen beide oproepen.
2. Druk op de Verbreekttoets (6) of op de Verbreekttoets (15) van de afstandsbediening om de tweede oproep aan te nemen en de huidige oproep te verbreken.

#### **Opmerking:**

Sommige telefoons ondersteunen deze functie niet via Bluetooth® of vragen een bevestiging via het menu van uw telefoon.

### **AANPASSEN VAN HET LUIDSPREKERVOLUME**

Wanneer uw telefoon en de carkit gekoppeld zijn, is het volume automatisch ingesteld op het middelste niveau.

Druk op de Volume Omhoog toets (2 of 17) om het volume te verhogen of op de Volume Omlaag toets (3 of 18) om het volume te verlagen.

Wanneer het maximum- of minimumniveau bereikt is, zal u een luide biepton horen.

## PRIVÉGESPREK (OPROEPEN WISSELEN TUSSEN CARKIT EN MOBIELE TELEFOON)

Om een oproep van de carkit naar de mobiele telefoon door te schakelen, drukt u op de "Mute" toets (16) van de afstandsbediening. → U hoort een dubbele bieptoon en de oproep wordt doorgeschakeld naar uw mobiele telefoon. → Om de oproep van uw mobiele telefoon naar de carkit door te schakelen, drukt u nogmaals op de "Mute" toets (16) of selecteert u het overeenkomstige menu in uw telefoon (afhankelijk van het type van uw mobiele telefoon).

## DTMF NAKIEZEN

Als u cijfers dient na te kiezen tijdens een oproep (DTMF), gebruikt u het digitale toetsenbord (20) van de afstandsbediening. → Druk op de Gesprekstoets (14) van de afstandsbediening om de DTMF informatie te verzenden.

## HANDSFREE / HEADSET MODUS

Sommige telefoons vereisen Bluetooth® communicatie in Headset modus.

Om de Headset modus te activeren, dient u de Blue Vision II uit te schakelen. → Druk op de Gesprekstoets (5) en houdt deze ingedrukt. Schakel ondertussen de Blue Vision II aan. U hoort een melodie. → Verbreek de verbinding tussen uw mobiele telefoon en de Blue Vision II zoals beschreven in het hoofdstuk "Verbinding verbreken". → Herstel de Bluetooth® verbinding tussen uw mobiele telefoon en de Blue Vision II zoals beschreven in het hoofdstuk "Verbinding". → Vanaf nu zal uw Blue Vision II met uw mobiele telefoon werken in Headset modus. → Om de communicatie in Handsfree modus te herstellen, dient u deze procedure te herhalen.

## VERHELPEN VAN PROBLEMEN

Probleem	Reden	Oplissing
Het toestel laadt niet op via de sigarenplug. Het groene LED'je van de sigarenplug brandt niet.	<ul style="list-style-type: none"><li>• De stekker van de sigarenaanstecker is beschadigd.</li><li>• Er is geen contact tussen de stroom-adapter en de stekker van de sigarenaanstecker.</li></ul>	<ul style="list-style-type: none"><li>• Controleer het elektronische circuit van uw wagen.</li><li>• Controleer de verbinding in de sigarenplug.</li></ul>
De batterij is aangesloten, maar het toestel wordt niet aangeschakeld wanneer de Aan/Uit toets gedurende 5 seconden ingedrukt wordt.	De batterij is volledig leeg.	<ul style="list-style-type: none"><li>• Verbind het toestel met een adapter en laad de batterij op.</li></ul>

## BLUETOOTH®

De merknaam en logo's van *Bluetooth*® zijn eigendom van Bluetooth SIG, Inc. en worden door TE-Group NV in licentie gebruikt. Andere handelsmerken en merknamen zijn eigendom van hun respectieve eigenaars.

## TECHNISCHE PARAMETERS

Parameter	Waarde
Oplaadtijd	< 3 uren
Sigarenplug voltage	10 – 30 V
Standby tijd	Tot 300 uren
Gesprekstijd	Tot 10 uren

## ZORG EN ONDERHOUD

De Blue Vision II is een verfijnd product en dient met zorg behandeld te worden. Onderstaande suggesties helpen u de garantieverplichtingen na te leven en jarenlang van uw product te genieten.

- Houd de carkit droog. Neerslag, vochtigheid en allerlei vloeistoffen kunnen mineralen bevatten die het elektronische circuit aan kunnen tasten.
- Bewaar de carkit niet op warme plaatsen. Hoge temperaturen kunnen het leven van elektronische apparaten verkorten, batterijen beschadigen en bepaalde plastics smelten.
- Bewaar het toestel niet op koude plaatsen. Wanneer het opwarmt (tot zijn normale temperatuur) kan er vochtigheid in het toestel ontstaan die het elektronische circuit van het toestel kan beschadigen.
- Probeer het toestel niet te openen. Behandeling door een niet-gespecialiseerde persoon kan het beschadigen.
- Gebruik geen sterke chemicaliën, schoonmaakproducten of sterke detergents om het toestel te reinigen.

Indien de carkit niet goed functioneert, brengt u deze best naar het dichtstbijzijnde gekwalificeerde service center. Het personeel ter plaatse zal u assisteren en verder helpen met uw probleem.

***Mr Handsfree wenst u een veilige en aangename rit toe!***

## GARANTIE

Mr Handsfree is een gedeponeerd handelsmerk van TE-Group NV.

Het merk mr Handsfree staat voor producten van superieure kwaliteit en een uitstekende klantenservice. Daarom garandeert mr Handsfree dat dit product vrij is van materiaal- en fabricagefouten gedurende een periode van **drie (3) jaar** na de oorspronkelijke aankoopdatum van het product.

De voorwaarden van deze garantie en de omvang van de verantwoordelijkheid van mr Handsfree onder deze garantie zijn als volgt:

- De garantie geldt alleen voor de originele (eerste) eigenaar en is niet overdraagbaar aan een volgende koper.
- De enige verplichting van mr Handsfree onder deze garantie beperkt zich tot het repareren of vervangen, naar eigen keuze, van defecte onderdelen van het product, indien dit vereist is omwille van gebreken die voorkomen bij normaal gebruik onder normale omstandigheden. De klant dient niet te betalen voor onderdelen en/of arbeidskosten.
- Het defecte product moet verzonden worden naar een geautoriseerd service center in de originele en volledige verpakking. Transportkosten zijn voor rekening van de klant. Mr Handsfree is niet aansprakelijk voor verlies of schade tijdens het transport.
- Om recht te hebben op reparatie of vervanging van het product binnen de garantieperiode dient de klant het volgende te verstrekken: (a) een aankoopbewijs met vermelding van de aankoopdatum; (b) een duidelijke omschrijving van de gebreken; (c) een adres en telefoonnummer.
- Deze garantie geldt niet voor:
  - (a) Producten die blootgesteld werden aan verkeerde installatie, onrechtmatige herstellingen, slecht onderhoud, onrechtmatige aanpassingen of andere daden die niet de fout zijn van mr Handsfree;
  - (b) Producten die blootgesteld werden aan misbruik, verwaarlozing, onzorgvuldige behandeling en opslag, een ongeval of materiële schade;
  - (c) Producten die blootgesteld werden aan brand, water, extreme vochtigheid, zand, stof, extreme temperatuurschommelingen of andere omstandigheden buiten de controle van mr Handsfree;
  - (d) Producten die gebruikt werden met accessoires die niet door mr Handsfree goedgekeurd werden;
  - (e) Producten waarvan het serienummer gewijzigd, onleesbaar of verwijderd is;
  - (f) Producten die geopend, gewijzigd of gerepareerd werden door een niet door mr Handsfree geautoriseerd service center.
- Uitgesloten van elke vorm van garantie zijn gebuiksonderdelen die vervangen moeten worden door normale slijtage, zoals batterijen, oorkussentjes, decoratieve onderdelen en andere accessoires.
- Deze garantie geeft u specifieke wettelijke rechten, en mogelijk heeft u nog andere rechten die van land tot land kunnen verschillen.

## TABLE DES MATIÈRES

INSTRUCTIONS DE SÉCURITÉ .....	2
QUE COMPREND LE MR HANDSFREE BLUE VISION II? .....	2
VUE D'ENSEMBLE.....	2
DÉBUTER L'INSTALLATION .....	3
INSTALLATION .....	4
APPARIEMENT.....	4
FONCTIONNEMENT.....	5
RÉSOLUTION DE PROBLÈMES.....	7
BLUETOOTH® .....	7
DONNÉES TECHNIQUES .....	7
SOINS ET ENTRETIEN .....	8
GARANTIE.....	8

## INSTRUCTIONS DE SÉCURITÉ

1. Veillez à ce que le fonctionnement et l'utilisation du kit mains libres n'influence jamais votre sécurité.
2. Veillez à n'exercer aucun impact sur la direction, sur le système de freinage ou sur tout autre système crucial assurant le bon fonctionnement du véhicule pendant l'installation du kit mains libres. Assurez-vous que le déploiement de l'airbag ne soit pas bloqué, ni entravé d'une quelconque façon.
3. Le kit mains libres ne peut être utilisé que sur base d'une tension de service de 12-24V, le pôle négatif étant branché sur la masse. Le non-respect de cette exigence pourrait se traduire par des dégâts au niveau du système électronique du véhicule.
4. Assurez-vous que le montage sur le pare-soleil ne puisse entraîner aucune lésion corporelle en cas d'accident.

## QUE COMPREND LE MR HANDSFREE BLUE VISION II?

### Voir illustration I

- a. Unité mains libres avec haut-parleur intégré
- b. Télécommande infrarouge
- c. Clip pour la fixation au pare-soleil
- d. Clip pour la fixation sur le tableau de bord
- e. Adhésif double-face pour la fixation au tableau de bord
- f. Bande VELCRO pour la fixation de la télécommande
- g. Adaptateur pour la connexion du Blue Vision II au réseau électrique du véhicule via l'allume-cigare

## VUE D'ENSEMBLE

### UNITÉ MAINS LIBRES

#### Voir illustration II

1. Haut-parleur
2. Bouton d'augmentation du volume
3. Bouton de diminution du volume
4. Bouton « Marche/Arrêt »
5. Bouton « Parler »: Répondre aux appels / Numérotation vocale / Changer entre deux appels
6. Bouton « Terminer »: Mettre fin aux appels / Refuser des appels / Recomposer un numéro / Mettre fin à l'appel actuel et répondre au second appel
7. Bouton « Appariement/Connexion »
8. Microphone intégré
9. Douille de chargement
10. Douille de service
11. Indicateur de niveau de batterie
12. Récepteur infrarouge
13. Deux aimants pour la fixation des clips

### TÉLÉCOMMANDE

#### Voir illustration III

14. Bouton « Parler »: Répondre aux appels / Numérotation vocale
15. Bouton « Terminer »: Mettre fin aux appels / Refuser des appels / Recomposer un numéro
16. Bouton « Mute » pour des appels privés

17. Bouton d'augmentation du volume
18. Bouton de diminution du volume
19. Bouton pour programmer des numéros abrégés
20. Clavier numérique
21. Carte mémoire
22. Couverture plastique pour la carte mémoire
23. Pellicule isolante pour la batterie
24. Batterie lithium polymère
25. Couvercle de batterie
26. Émetteur infrarouge

## DÉBUTER L'INSTALLATION

Le mr Handsfree Blue Vision II est compatible avec la plupart des téléphones mobiles ayant recours à la technologie Bluetooth®. Compte tenu du fait que les équipements basés sur la technologie Bluetooth® communiquent par l'intermédiaire d'ondes radiofréquences, votre kit mains libres et votre téléphone mobile ne doivent pas être montés dans un même champ visuel. Les 2 appareils doivent seulement être montés à une distance réciproque de maximum 10 mètres et vous ne devez donc pas retirer votre téléphone de votre poche ou pochette pour émettre et recevoir des appels par l'intermédiaire du kit mains libres. Compte tenu du fait que les téléphones basés sur la technologie Bluetooth® présentent différentes fonctionnalités d'un constructeur à un autre, il est possible que certaines fonctions décrites dans ce mode d'emploi soient différentes ou puissent ne pas être disponibles.

### ACTIVER LA TÉLÉCOMMANDE

Ouvrez le couvercle de batterie (25) et enlevez la pellicule isolante (23). → Insérez la batterie (24) en tenant compte de la polarité. → Fermez le couvercle de batterie (25). Maintenant, vous pouvez utiliser la télécommande.

#### Important!

**La télécommande et le kit mains libres sont liés par un canal infrarouge. Assurez-vous que l'émetteur infrarouge (26) et le récepteur (12) sont orientés l'un vers l'autre pendant l'opération.**

### CHARGER LA BATTERIE

Le mr Handsfree Blue Vision II est fourni avec une batterie rechargeable au lithium polymère. La batterie a fait l'objet d'un chargement préliminaire, mais il est néanmoins recommandé de la charger avant d'utiliser le kit mains libres pour la première fois. Insérez la fiche de l'adaptateur dans la douille de chargement du kit mains libres et branchez l'autre extrémité de l'allume-cigare sur la source de courant. → L'indicateur de niveau de batterie (11) s'allumera vert ou rouge dès que le processus de chargement est entamé. → Si l'indicateur de niveau de batterie (11) est rouge, le kit mains libres devra être chargé jusqu'à ce qu'il passe au vert. → Retirez l'adaptateur de l'allume-cigare du kit mains libres.

#### Remarque:

- Vous pouvez utiliser le Blue Vision II pendant le processus de chargement.
- Le Blue Vision II est compatible avec les chargeurs de Nokia. Vous pouvez utiliser ces chargeurs pour charger le Blue Vision II à la maison.

### BRANCHER/DÉBRANCHER LE KIT MAINS LIBRES

Pour brancher le kit mains libres, vous devez appuyer sur le bouton « Marche/Arrêt » (4) et le maintenir enfoncé pendant 5 secondes jusqu'à ce que l'indicateur de niveau de batterie (11) s'éclaire vert et que vous entendiez une mélodie. → L'indicateur de niveau de batterie (11) commence à clignoter. → Pour débrancher le kit mains libres, vous devez appuyer sur le bouton « Marche/Arrêt » (4) jusqu'à ce que vous entendiez une mélodie et que l'indicateur de niveau de batterie (11) s'éteigne.

# INSTALLATION

## UNITÉ MAINS LIBRES

**Au pare-soleil:** Fixez l'unité mains libres au pare-soleil au moyen du clip spécial (c) et tournez le microphone (8) en direction de votre bouche. Il s'agit de la position principale du support du microphone: le microphone frontal devrait être dirigé vers votre bouche et le microphone arrière vers l'écran métallique du haut-parleur.

**Sur le tableau de bord:** Fixez l'unité mains libres sur le tableau de bord au moyen de l'adhésif double-face et le clip de métal pour la fixation sur le tableau de bord (d).

Pour un fonctionnement optimal, le microphone doit s'installer à une distance de 30-50 cm de la bouche du conducteur.

### Remarque:

Nous recommandons de ne pas modifier la position du microphone pendant un appel activé, car cela pourrait entraîner l'apparition d'un écho. Si vous suivez ce conseil, vous bénéficierez d'un mode de communication duplex confortable pour votre conversation téléphonique.

## TÉLÉCOMMANDE

Pour fixer la télécommande sur le tableau de bord, il faut enlever la carte mémoire (21) de la face arrière de la télécommande. Après que vous avez enlevé la carte, vous pouvez fixer la télécommande au moyen de la bande Velcro (6). Assurez-vous que l'émetteur infrarouge (26) de la télécommande est orienté vers le récepteur infrarouge (12) de l'unité mains libres.

# APPARIEMENT

Vous devez appairier le Blue Vision II avec votre téléphone mobile avant de l'utiliser.

Votre Blue Vision II peut enregistrer l'information pour jusqu'à 2 téléphones Bluetooth® différents, auxquels il a été apparié. Si on tente d'appairier plus de 2 téléphones, l'appareil apparié le plus vieux est supprimé de la mémoire.

Lorsqu'un des appareils appariés se trouve dans la portée de 10 mètres et que le Blue Vision II est allumé, le Blue Vision II établit automatiquement une connexion avec le dernier téléphone mobile auquel il a été connecté. Si ce téléphone n'est pas disponible, le Blue Vision II cherchera automatiquement le second téléphone auquel il a été apparié pour établir une connexion. Le Blue Vision II peut avoir une connexion active.

Veillez à ce que votre téléphone et le kit mains libres soient branchés. → Appuyez sur le bouton « Appariement » (7) et maintenez-le enfoncé pendant 5 secondes jusqu'à ce que vous entendiez une mélodie et que l'indicateur de niveau de batterie (11) clignote vert et rouge alternativement. Le mode d'appariement est maintenant activé pendant 2 minutes (pendant ces 2 minutes, l'indicateur (11) continuera à clignoter). → Entrez dans le menu Bluetooth® de votre téléphone et assurez-vous que la fonction Bluetooth® soit activée. → Entrez dans le sous-menu qui permet à votre téléphone de rechercher des équipements Bluetooth® et lancez la recherche. → Le téléphone recherchera tous les appareils Bluetooth® se trouvant dans un rayon d'environ 10 mètres et les affichera sous forme de liste. → Sélectionnez le Blue Vision II dans la liste. → Introduisez le mot de passe « 0000 » pour assurer l'appariement et la connexion entre le Blue Vision II et votre téléphone. → L'indicateur (11) s'arrêtera de clignoter et « Blue Vision II » apparaîtra au menu du téléphone où vous pouvez consulter les appareils Bluetooth® avec lesquels votre téléphone a actuellement établi une appariement.

## CONNEXION

Parfois, la connexion Bluetooth® entre le Blue Vision II et votre téléphone mobile est rompue et vous devez rétablir la connexion.

- Quand le Blue Vision II a été débranché : Allumez le kit mains libres et la connexion sera rétablie automatiquement.
- Quand le téléphone mobile a été débranché : Allumez le téléphone mobile et rétablissez la connexion en utilisant le menu de votre téléphone.
- Quand l'un des deux appareils se trouve hors de portée : Assurez-vous que les deux appareils se trouvent dans la portée de 10 mètres et appuyez une fois sur le bouton « Connexion » (7).

### Remarque:

Pour tous les types de téléphones mobiles, il est recommandé de sélectionner l'option « Accepté » ou « Autorisé » pour le Blue Vision II dans le menu Bluetooth® de votre téléphone mobile. Consultez le manuel de votre téléphone mobile pour des informations complémentaires.

## DÉCONNECTER LE KIT MAINS LIBRES DU TÉLÉPHONE MOBILE

Vous pouvez déconnecter le kit mains libres de votre téléphone si vous voulez, par exemple, utiliser un autre appareil Bluetooth® avec votre téléphone. Le Blue Vision II peut être déconnecté de plusieurs façons, à savoir:

1. Débrancher le kit mains libres.
2. Déconnecter le kit mains libres dans le menu du téléphone.
3. Écarter le téléphone de plus de 10 mètres par rapport au kit mains libres.

## FONCTIONNEMENT

Avant d'utiliser le mr Handsfree Blue Vision II, vous devez veiller à ce que:

- L'appariement et la connexion soient établis entre le kit mains libres et votre téléphone.
- La fonctionnalité Bluetooth® du téléphone soit activée; voir le mode d'emploi de votre téléphone.
- Le kit mains libres soit branché et que l'indicateur de niveau de la batterie (11) clignote.

## FAIRE DES APPELS

### En utilisant le clavier du téléphone mobile

Formez un numéro sur le clavier. → Appuyez sur le bouton « Parler » du téléphone mobile.

### En utilisant la numérotation vocale

Si aucun appel n'est en cours, vous appuyez sur le bouton « Parler » (5) ou sur le bouton « Parler » (14) de la télécommande. → Vous entendrez une tonalité qui indique que vous pouvez prononcer le nom souhaité (« voice tag »). → Prononcez le nom. → Le téléphone reproduit le nom et forme le numéro de téléphone correspondant.

Vous pouvez également activer la numérotation vocale par le biais de votre téléphone. Pour des détails sur la numérotation vocale, vous devez vous référer au mode d'emploi de votre téléphone. Veuillez noter que la fonction de numérotation vocale n'est disponible que si elle est supportée par votre téléphone mobile.

### En utilisant le clavier numérique digital de la télécommande

Appuyez sur les boutons du clavier pour composer le numéro (pour introduire "+", vous devez maintenir enfoncé le bouton \* jusqu'à ce que vous entendiez un bip de confirmation). → Appuyez sur le bouton « Parler » (14) de la télécommande pour lancer l'appel.

### En utilisant la numérotation abrégée

La fonction de numérotation abrégée vous permet de programmer un seul chiffre pour les numéros de téléphone que vous appelez souvent. Vous ne devez que sélectionner le numéro abrégé pour appeler le numéro de téléphone correspondant. Le Blue Vision II a un mémoire pour 10 numéros abrégés.

#### Programmer des numéros abrégés

Appuyez sur le bouton « OK » (19) de la télécommande et maintenez-le enfoncé pendant 2 secondes jusqu'à ce que vous entendiez un double bip. → Appuyez sur un bouton de « 0 » à « 9 » pour sélectionner l'emplacement de mémoire où vous souhaitez enregistrer le numéro de téléphone. Vous entendrez un double bip. → Introduisez le numéro de téléphone en utilisant le clavier numérique digital. → Appuyez sur le bouton « OK » (19) pour confirmer le numéro. Vous entendrez un double bip. → Le numéro de téléphone que vous avez introduit est maintenant assigné au numéro abrégé que vous avez sélectionné.



### **Remarque:**

- Vous pouvez écrire les noms correspondants aux numéros abrégés sur la carte mémoire (21) qui se trouve à la face arrière de la télécommande.
- Quand vous voulez remplacer un numéro de téléphone dans la mémoire des numéros abrégés, il faut répéter la procédure décrite ci-dessus pour écraser le numéro par un autre numéro de téléphone.

### **Faire un appel**

Sélectionnez le numéro abrégé auquel vous avez assigné le numéro de téléphone souhaité. → Maintenez enfoncé le bouton correspondant de la télécommande pendant 2 secondes. → Vous entendrez trois bips et le numéro de téléphone correspondant sera formé.

### **Supprimer tous les numéros abrégés**

Débranchez le Blue Vision II en utilisant le bouton « Marche/Arrêt » (4). → Appuyez sur le bouton « Terminer » (6) de l'unité mains libres et maintenez-le enfoncé pendant que vous appuyez 1 seconde sur le bouton « Marche/Arrêt » (4). → Vous entendrez un bip de confirmation qui indique que la liste des numéros abrégés a été supprimée. → Votre Blue Vision II est maintenant allumé.

## **Répétition du dernier numéro**

Appuyez sur le bouton « Terminer » (6) ou sur le bouton « Terminer » (15) de la télécommande quand aucun appel n'est en cours. → Vous entendrez un double bip et le téléphone appellera le dernier numéro que vous avez formé.

## **METTRE FIN À UN APPEL**

Appuyez sur le bouton « Terminer » (6) ou sur le bouton « Terminer » (15) de la télécommande pour mettre fin à l'appel ou mettez fin à l'appel via votre téléphone mobile.

## **RÉPONDRE À UN APPEL**

Appuyez sur le bouton « Parler » (5) ou sur le bouton « Parler » (14) de la télécommande.

## **RÉPONSE AUTOMATIQUE**

Si la fonction de réponse automatique est activée sur votre téléphone, celui-ci répond automatiquement aux appels entrants après un certain nombre de sonneries.

## **REJETER UN APPEL**

Appuyez sur le bouton « Terminer » (6) ou sur le bouton « Terminer » (15) de la télécommande.

## **SECOND APPEL ENTRANT**

Quand vous recevez un second appel pendant une conversation, vous entendrez un bip et vous pouvez choisir une des options suivantes:

1. Appuyez sur le bouton « Parler » (5) ou sur le bouton « Parler » (14) de la télécommande pour accepter le second appel et pour mettre l'appel actuel en attente. → Appuyez de nouveau sur le bouton « Parler » (5) ou sur le bouton « Parler » (14) de la télécommande pour changer entre les deux appels.
2. Appuyez sur le bouton « Terminer » (6) ou sur le bouton « Terminer » (15) de la télécommande pour accepter le second appel et pour terminer l'appel actuel.

### **Remarque:**

Certains téléphones ne supportent pas cette fonction par Bluetooth® ou exigent une confirmation dans le menu du téléphone.

## **RÉGLER LE VOLUME DU HAUT-PARLEUR DU KIT MAINS LIBRES**

Dès l'appariement de votre téléphone et du kit mains libres, le volume est réglé automatiquement au niveau moyen. Appuyez sur le bouton d'augmentation du volume (2 ou 17) pour amplifier le volume ou sur le bouton de diminution du volume (3 ou 18) pour réduire le volume. Vous entendrez un bip sonore lorsque le volume maximum ou minimum du haut-parleur du kit mains libres a été atteint.

## FAIRE DES APPELS PRIVÉS (TRANSFÉRER DES APPELS ENTRE KIT MAINS LIBRES ET TÉLÉPHONE)

Pour transférer un appel du kit mains libres au téléphone mobile, vous devez appuyer sur le bouton « Mute » (16) de la télécommande. → Vous entendrez un double bip et l'appel sera transféré à votre téléphone mobile. → Pour transférer l'appel de votre téléphone mobile au kit mains libres vous devez appuyer sur le bouton « Mute » (16) ou vous devez sélectionner la rubrique correspondante dans le menu du téléphone (ceci dépend de votre téléphone mobile).

## COMMANDES DTMF

Quand vous devez former une extension DTMF pendant l'appel, vous devez utiliser le clavier numérique (20) de la télécommande. → Appuyez sur le bouton « Parler » (14) de la télécommande pour confirmer la commande DTMF.

## MODE MAINS LIBRES / OREILLETTE

Certains téléphones nécessitent la communication Bluetooth® en mode « Oreillette ».  
Pour activer le mode « Oreillette », il faut débrancher le Blue Vision II. → Appuyez sur le bouton « Parler » (5) et maintenez-le enfoncé. Branchez le Blue Vision II. Vous entendrez une mélodie. → Déconnectez votre téléphone mobile du Blue Vision II comme décrit dans le chapitre « *Déconnexion* ». → Rétablissez la connexion Bluetooth® entre votre téléphone mobile et le Blue Vision II comme décrit dans le chapitre « *Connexion* ». → Dorénavant votre Blue Vision II fonctionnera avec votre téléphone mobile en mode « Oreillette ». → Pour rétablir la communication en mode « Mains libres », vous devez répéter cette procédure.

## RÉSOLUTION DE PROBLÈMES

Problème	Raison	Solution
L'appareil ne se charge pas à partir de l'allume-cigare. Le LED vert de la fiche de l'allume-cigare est éteint.	<ul style="list-style-type: none"><li>• La fiche de l'allume-cigare est endommagée.</li><li>• Pas de contact entre l'adaptateur de courant et la fiche de l'allume-cigare.</li></ul>	<ul style="list-style-type: none"><li>• Vérifiez le circuit électrique du véhicule.</li><li>• Vérifiez la connexion dans l'allume-cigare.</li></ul>
L'appareil ne s'allume pas lorsque le bouton « Marche/Arrêt » est appuyé pendant 5 secondes.	La batterie est totalement déchargée.	<ul style="list-style-type: none"><li>• Connectez un adaptateur de courant et chargez la batterie.</li><li>• Adressez-vous au centre de service le plus proche.</li></ul>

## BLUETOOTH®

La marque et le logo *Bluetooth®* sont la propriété de Bluetooth SIG, Inc. et toute utilisation de telles marques par TE-Group NV est sous licence. Toutes autres marques et dénominations commerciales appartiennent à leurs propriétaires respectifs.

## DONNÉES TECHNIQUES

Paramètre	Valeur
Durée de chargement	< 3 heures
Tension de l'adaptateur du véhicule	10 – 30 V
Autonomie de veille	Jusque 300 heures
Autonomie de conversation	Jusque 24 heures

## SOINS ET ENTRETIEN

Le Blue Vision II est un produit de conception supérieure et doit être traité avec soin. Les suggestions ci-dessous vous aideront à vous conformer aux obligations de garantie et vous permettront de profiter du produit pendant de longues années.

- Maintenez le kit mains-libres sec. Les précipitations, l'humidité et tous les types de liquides peuvent contenir des minéraux qui corroderont les circuits électriques.
- N'utilisez ou ne stockez pas le kit mains-libres dans des zones chaudes. Les températures élevées peuvent raccourcir la durée de vie des équipements électroniques et gauchir ou faire fondre certaines matières plastiques.
- Ne stockez pas le kit mains-libres dans des zones froides. En se réchauffant (à sa température normale), l'appareil peut être sujet à la formation d'humidité à l'intérieur qui peut endommager les circuits électroniques.
- N'essayez pas d'ouvrir le kit mains-libres. Sa manipulation incompétente peut l'endommager.
- N'utilisez pas de produits chimiques agressifs, de solvants de nettoyage ou de détergents puissants pour nettoyer l'appareil.

Si l'appareil ne fonctionne pas correctement, vous devez vous adresser au centre d'entretien le plus proche. Le personnel de ce centre vous assistera et procédera aux interventions de maintenance si nécessaire.

***Mr Handsfree vous souhaite un bon voyage en toute sécurité !***

## GARANTIE

Mr Handsfree est une marque déposée de TE-Group NV.

La marque de mr Handsfree est synonyme de produits de qualité supérieure et d'un service après-vente excellent. C'est la raison pour laquelle mr Handsfree garantit ce produit contre tout défaut de matériel ou de fabrication pour une période de **trois (3) ans** à compter de la date d'achat initiale.

Les conditions de cette garantie et l'étendue de la responsabilité de mr Handsfree en vertu de cette garantie sont les suivantes :

- Cette garantie ne s'applique qu'à l'acheteur original du produit et n'est pas transférable à aucun autre acheteur subséquent.
- Pendant la période de la garantie, la seule responsabilité de mr Handsfree sera de réparer ou de remplacer, à son choix, toute pièce défectueuse du produit si ce sera nécessaire à cause d'un mauvais fonctionnement ou d'une panne quelconque, malgré un usage normal et des conditions normales. Les frais de la réparation et/ou des pièces ne seront pas à la charge du client.
- Il vous faut envoyer le produit à un centre de service autorisé dans son emballage original et complet, transport prépayé. Mr Handsfree n'assumera aucune responsabilité pour des pertes ou des dommages pendant le transport.
- Si ce produit doit être réparé ou remplacé durant la période de la garantie, il doit être accompagné de (a) une preuve d'achat (p.e. contrat de vente daté) ; (b) une spécification écrite du (des) défaut(s) ; (c) l'adresse de l'expéditeur et un numéro de téléphone.
- Cette garantie ne s'applique pas et est annulée dans les cas suivants:
  - (a) Produits qui ont été soumis à réparation non autorisée, installation incorrecte, entretien inadéquat, modifications non autorisées ou tous autres actes qui ne sont pas la faute de mr Handsfree; (b) Produits qui ont été soumis à mauvais utilisation, abus, négligence, mauvais traitement et stockage, accident ou dommages physiques; (c) Produits qui ont été exposés à feu, eau, humidité excessive, sable, saleté, changements de température extrêmes ou toutes autres conditions indépendantes du contrôle de mr Handsfree; (d) Produits qui ont été utilisés avec des accessoires non approuvés par mr Handsfree; (e) Produits dont le numéro de série a été modifié, rendu illisible ou enlevé; (f) Produits qui ont été ouverts, changés, réparés ou modifiés par un centre de service non autorisé.
- Exclus de toute garantie sont des produits consommables nécessitant un remplacement résultant d'une usure ou d'un bris normal, tels que des batteries, des oreillettes, des couvertures décoratives et d'autres accessoires.
- Cette garantie vous procure des droits spécifiques, et vous pourriez avoir d'autres droits qui varient d'un pays à l'autre.

## INHALTSVERZEICHNIS

SICHERHEITSINSTRUKTIONEN .....	2
WAS ENTHÄLT DER MR HANDSFREE BLUE VISION II? .....	2
ÜBERSICHT .....	2
BETRIEBSBEREITSCHAFT .....	3
INSTALLATION .....	4
PAARUNG .....	4
BETRIEB .....	5
STÖRUNGSSUCHE UND IHRE BESEITIGUNG .....	7
BLUETOOTH® .....	7
TECHNISCHE DATEN .....	7
PFLEGE UND WARTUNG .....	8
GARANTIE .....	8

## SICHERHEITSINSTRUKTIONEN

1. Gewährleisten Sie, dass der Betrieb des Kfz-Bausatzes niemals Ihre Sicherheit beeinträchtigt.
2. Gewährleisten Sie, dass das Lenk- oder Bremssystem oder andere, für den einwandfreien Betrieb des Fahrzeugs wichtigen Hauptsysteme nicht beeinträchtigt werden, wenn Sie den Kfz-Bausatz einbauen. Gewährleisten Sie, dass der Einsatz des Airbags in keiner Weise blockiert oder behindert wird.
3. Der Kfz-Bausatz darf nur bei einer Betriebsspannung von 12-24V, mit dem Minuspol an Masse, benutzt werden. Ein Fehler bei der Einhaltung dieser Forderung kann zu einer Beschädigung des elektronischen Systems des Fahrzeugs führen.
4. Gewährleisten Sie, dass die Halterung der Sonnenblende im Fall eines Unfalls keine Verletzung Ihres Körpers verursachen kann.

## WAS ENTHÄLT DER MR HANDSFREE BLUE VISION II?

### Siehe Abbildung I

- a. Handsfree-Einheit mit eingebautem Lautsprecher
- b. Infrarot-Fernsteuerung
- c. Klemme für die Befestigung der Sonnenblende
- d. Klipp für Armaturenbrett-Halterung
- e. Doppelseitiges Klebeband für Armaturenbrett-Halterung
- f. Velcro-Teil für die Halterung der Fernsteuerung
- g. Zigarettenanzünderstecker, für den Anschluss des Blue Vision II an die Stromversorgung des Kraftfahrzeugs über den Zigarettenanzünder

## ÜBERSICHT

### HAUPT-EINHEIT

#### Siehe Abbildung II

1. Lautsprecher
2. Taste zur Erhöhung der Lautstärke
3. Taste zur Senkung der Lautstärke
4. Ein/Ausschaltaste
5. Sprechttaste: Anrufannahme / Sprachwahl / Wechsel zwischen zwei Anrufen
6. Ablehnungstaste: Anrufbeendigung / Anrufablehnung / Wiederwahl / Beendigung des gegenwärtigen Anrufs und Annahme des zweiten eingehenden Anrufes
7. Paarungs-/Verbindungstaste
8. Eingebautes Mikrofon
9. Ladesteckdose
10. Servicesteckdose
11. Batteriezustandsanzeige
12. Infrarot-Empfänger
13. Zwei Magneten für die Befestigung der beiden Klipps

### FERNSTEUERUNG

#### Siehe Abbildung III

14. Sprechttaste: Anrufannahme / Sprachwahl
15. Ablehnungstaste: Anrufbeendigung / Anrufablehnung / Wiederwahl

16. Stummtaste für private Anrufe
17. Taste zur Erhöhung der Lautstärke
18. Taste zur Senkung der Lautstärke
19. Schnellwahl-Programmierungstaste
20. Tastatur
21. Memo-Karte
22. Schutzfolie der Memo-Karte
23. Entfernbar Isoliationsfolie der Batterie
24. Lithium-Polymerbatterie
25. Batteriedeckel
26. Infrarotsender

## BETRIEBSBEREITSCHAFT

Das mr Handsfree Blue Vision II ist mit den meisten Bluetooth®-Mobiltelefonen kompatibel.

Da Geräte mit Bluetooth®-Technologie über Funkwellen kommunizieren, brauchen Ihr Kfz-Bausatz und Ihr Mobiltelefon sich nicht in einer direkten Sichtlinie zu befinden. Die beiden Geräte müssen sich nur innerhalb von maximal 10 Meter voneinander befinden, so dass Sie Ihr Telefon nicht aus Ihrer Tasche oder Handtasche zu nehmen brauchen und Anrufe über Ihren Kfz-Bausatz empfangen können.

Da Bluetooth®-Telefone von verschiedenen Herstellern produziert werden, die zahlreiche Funktionen bieten, können einige Funktionen in dieser Betriebsanleitung unterschiedlich oder nicht verfügbar sein.

### AKTIVIERUNG DER FERNSTEUERUNG

Öffnen Sie den Batteriedeckel (25) und entfernen Sie die Isoliationsfolie (23). → Setzen Sie die Batterie (24) unter Beachtung der Polarität ein. → Schließen Sie den Batteriedeckel (25).

**Wichtig!**  
Die Fernsteuerung und das Car Kit werden via Infrarotkanal verbunden. Stellen Sie bitte sicher, dass der Infrarotsender (26) und der Empfänger (12) während des Betriebes direkt auf einander gerichtet sind.

### BATTERIE LADEN

Das mr Handsfree Blue Vision II besitzt eine aufladbare Lithium-Polymer-Batterie. Die Batterie ist vorbereitend geladen, aber trotzdem empfehlen wir, diese vor der ersten Benutzung des Kfz-Bausatzes zu laden.

Schließen Sie den Adapterstecker an die Ladestation (9) und den Stecker für den Zigarettenanzünder am Zigarettenanzünder an. → Die Batteriestatusanzeige (11) leuchtet rot oder grün, wenn der Ladevorgang beginnt. → Leuchtet die Anzeige (11) rot, so sollte das Car Kit geladen werden, bis die Anzeige (11) grün wird. → Ziehen Sie das Fahrzeugladegerät aus dem Car Kit.

**Hinweis:**

- Sie können den Blue Vision II während des Ladevorgangs benutzen.
- Das Blue Vision II ist kompatibel mit Nokia Mobiltelefon-Reiseladegeräten. Somit können Sie sie dazu verwenden, das Blue Vision II zu Hause zu laden.

### EIN/AUSSCHALTEN DES KFZ-BAUSATZES

Schalten Sie das Car Kit ein, halten Sie den Einschaltknopf (4) für 5 Sekunden gedrückt, bis die Batteriestatusanzeige (11) grün leuchtet und Sie eine Melodie hören. → Die Batteriestatusanzeige (11) beginnt zu blinken. → Schalten Sie das Car Kit ein, halten Sie den Einschaltknopf (4) solange gedrückt, bis Sie eine Melodie hören und sich die Batteriestatusanzeige (11) ausschaltet.

# INSTALLATION

## HAUPT EINHEIT

**An der Sonnenblende:** Befestigen Sie die Haupteinheit mit dem Spezialklipp (c) an der Sonnenblende und richten Sie den Mikrofonstrahl (8) auf Ihren Mund aus. Dies ist die Hauptarbeitsposition des Mikrofonstrahls: Der Mikrofonstrahl sollte von der Haupteinheit gedreht werden und sein Ende sollte auf Ihren Mund ausgerichtet sein.

**Am Armaturenbrett:** Befestigen Sie die Haupteinheit, indem Sie das doppelseitige Klebeband und den metallenen Flachklipp für die Armaturenbrett-Befestigung verwenden (d).

Für optimale Leistung sollte das Mikrofon in einer Entfernung von 30-50 cm vom Munde des Fahrers platziert werden.

### Hinweis:

Wir empfehlen, die Position des Mikrofons während eines aktivierten Gesprächs nicht zu verändern, da dann ein Echoeffekt auftreten könnte. Wenn Sie diesen Rat befolgen, werden Sie eine komfortable Duplex-Kommunikation Ihres Telefongesprächs erhalten.

## FERNSTEUERUNG

Um die Fernbedienung am Armaturenbrett zu befestigen, sollten Sie die Memo-Karte (21) aus der Rückseite der Fernbedienung entfernen. Nachdem die Karte entfernt wurde, können Sie die Fernbedienung mit Velcro (6) am Armaturenbrett befestigen. Stellen Sie sicher, dass der Infrarotsender der Fernbedienung (26) auf den Infrarotempfänger (12) der Haupteinheit gerichtet ist, und dass sich beide Einheiten ungehindert gegenüber stehen.

# PAARUNG

Sie sollten das Blue Vision II mit Ihrem Mobiltelefon paaren, bevor Sie es verwenden können.

Ihr Blue Vision II kann Paarungsinformationen für bis zu 2 verschiedene Bluetooth®-Telefone speichern. Wenn versucht wird mehr als 2 Geräte zu paaren, wird das erste gepaarte Gerät aus dem Speicher gelöscht. Wenn sich eines der gepaarten Geräte in einem Bereich von 10 Metern befindet und das Blue Vision II eingeschaltet ist, baut das Blue Vision II automatisch eine Verbindung mit dem letzten Mobiltelefon, mit dem es verbunden war, auf. Wenn dieses Telefon nicht zur Verfügung steht, sucht das Blue Vision II automatisch nach dem zweiten gepaarten Telefon um eine Verbindung herzustellen. Das Blue Vision II kann nur eine aktive Verbindung haben.

Stellen Sie sicher, dass Ihr Telefon und das Car Kit eingeschaltet sind. → Halten Sie die Paarungstaste (7) für 5 Sekunden gedrückt, bis Sie eine Melodie hören und die Anzeige (11) abwechselnd grün und rot blinkt. Nun ist der Paarungsmodus für zwei Minuten aktiviert (während dieser zwei Minuten blinkt die Anzeige (11) fortwährend). → Gehen Sie in das Bluetooth®-Menü Ihres Telefons und sorgen Sie dafür, dass der Bluetooth®-Modus aktiviert ist. → Gehen Sie in das Untermenü, in dem Sie das Telefon auf die Suche nach Bluetooth®-Geräten stellen können und beginnen Sie die Suche. → Das Telefon wird alle Bluetooth® Geräte innerhalb von etwa 10 Metern suchen und diese als Liste anzeigen. → Wählen Sie den Blue Vision II aus der Liste. → Geben Sie den Hauptschlüssel "0000" zur Paarung ein und verbinden Sie den Blue Vision II mit Ihrem Telefon. → Die Anzeige (11) hört auf zu blinken und "Blue Vision II" erscheint im Telefonmenü, in dem Sie die Bluetooth®-Geräte erkennen können, die kürzlich mit Ihrem Telefon gepaart wurden.

## VERBINDUNG

In einigen Fällen kann es zur Trennung Ihres Telefons vom Blue Vision II kommen. Dann müssen Sie die Verbindung wiederherstellen.

- Wenn das Blue Vision ausgeschaltet wurde: Schalten Sie die Stromversorgung ein und die Verbindung wird sich automatisch aufbauen.
- Wenn das Mobiltelefon ausgeschaltet wurde: Schalten Sie das Mobiltelefon ein und stellen Sie die Verbindung über das Menü des Telefons wieder her.
- Wenn eines der Geräte außer Reichweite war: Stellen Sie sicher, dass sich beide Geräte innerhalb der Reichweite befinden und drücken Sie einmal die Verbindungstaste (7).

### **Hinweis:**

Für alle Mobiltelefontypen wird empfohlen im Bluetooth® -Menü Ihres Mobiltelefons für Blue Vision II "Trust" oder "Authorized" einzustellen. Weitere Informationen entnehmen Sie bitte der Gebrauchsanweisung Ihres Mobiltelefons.

## **TRENNEN DES KFZ-BAUSATZES VOM MOBILTELEFON**

Sie können Ihren Kfz-Bausatz von Ihrem Telefon trennen, wenn Sie zum Beispiel ein anderes Bluetooth®-Gerät mit Ihrem Telefon benutzen wollen. Der Blue Vision II kann auf folgende Weisen getrennt werden:

1. Schalten Sie den Kfz-Bausatz ab.
2. Trennen Sie den Kfz-Bausatz im Menü des Telefons.
3. Entfernen Sie das Telefon mehr als 10 Meter vom Kfz-Bausatz.

## **BETRIEB**

Vor der Benutzung des mr Handsfree Blue Vision II stellen Sie sicher, dass:

- der Kfz-Bausatz mit Ihrem Telefon gepaart und verbunden ist,
- die Bluetooth®-Eigenschaft eingeschaltet ist; siehe die Bedienungsanleitung Ihres Telefons,
- der Kfz-Bausatz eingeschaltet ist und die Batteriezustandsanzeige blinkt.

## **EINEN ANRUF DURCHFÜHREN**

### **Unter Benutzung des Tastenfelds Ihres Mobiltelefons**

Wählen Sie eine Nummer auf dem Tastenfeld. → Drücken Sie die Sprechaste des Telefons.

### **Unter Benutzung der Sprachwahl**

Wird kein Gespräch geführt, drücken Sie einmal die Sprechaste (5) oder die Sprechaste (14) auf der Fernbedienung. → Sie werden einen Ton hören, der anzeigt, dass Sie den gewünschten Namen sagen können ("Sprachmarkierung"). → Sagen Sie die Sprachmarkierung. → Das Telefon spielt die Sprachmarkierung und wählt die entsprechende Telefonnummer.

Sie können ebenfalls die Sprachwahl mit Ihrem Telefon aktivieren. Für Einzelheiten zur Sprachwahl, sehen Sie bitte die Betriebsanleitung Ihres Telefons ein. Bitte beachten Sie, dass die Sprachwahlfunktion nur verfügbar ist, wenn Sie von Ihrem Mobiltelefon unterstützt wird.

## **Verwendung des digitalen Nummernblocks der Fernbedienung**

Drücken Sie die Tasten des Nummernblocks, um die Nummer zu wählen (für „+“ halten Sie die \*-Taste gedrückt, bis ein Bestätigungston zu hören ist). → Drücken Sie die Sprechaste (14) auf der Fernbedienung, um den Anruf zu beginnen.

## **Verwendung der Schnellwahl**

Mit der Schnellwahl können Sie einstellige Zahlen für die Telefonnummern festlegen, die Sie am häufigsten anrufen. Dazu müssen Sie nur die Schnellwahlnummer auswählen, mit der die entsprechende Rufnummer gewählt werden soll. Das Blue Vision II kann bis zu 10 Schnellwahlnummern speichern.

### Programmierung von Schnellwahlnummern

Halten Sie die „OK“-Taste (19) auf der Fernbedienung für 2 Sekunden gedrückt, bis Sie einen zweifachen Piepton hören. → Für die Wahl des Speicherplatzes, unter dem Sie die Rufnummer ablegen möchten, drücken Sie die Tasten „0“ bis „9“. Sie hören einen zweifachen Piepton. → Geben Sie die Telefonnummer über den digitalen Nummernblock ein. → Drücken Sie die „OK“-Taste (19), um die Nummer zu bestätigen oder drücken Sie die Ablehnungstaste (15), wenn Sie die Nummer nicht speichern möchten. Sie hören einen zweifachen Piepton. → Die von Ihnen eingegebene Telefonnummer entspricht nun der ausgewählten Schnellwahl Taste.

### **Hinweis:**

- Sie können die Namen der gespeicherten Schnellwahl Tasten auf der Rückseite der Fernbedienung bei der Memo-Karte (21) aufschreiben.



- Wenn Sie die programmierten Telefonnummern im Schnellwahlspeicher ändern möchten, sollten Sie den gleichen Schritten folgen, wie oben beschrieben, um die vorhandene mit einer neuen Nummer zu überschreiben.

### Tätigen eines Anrufes

Wählen Sie die Schnellwahltaste, der Sie die Rufnummer zugeordnet haben, die Sie anrufen möchten. → Halten Sie die entsprechende Digitaltaste auf der Fernbedienung für 2 Sekunden gedrückt. → Sie hören einen dreifachen Piepton und die entsprechende Telefonnummer wird gewählt.

### Löschen aller Schnellwahlnummern

Man kann alle in der Fernbedienung des Blue Vision II gespeicherten Schnellwahlnummern löschen.

Schalten Sie die Stromversorgung des Blue Vision II an der Ein/Aus-Taste (4) aus. → Halten Sie die Ablehnungstaste (6) der Haupteinheit gedrückt und drücken Sie gleichzeitig die Ein/Aus -Taste (4) für 1 Sekunde. → Sie hören einen Bestätigungston für die Löschung der Schnellwahlnummern. → Ihr Blue Vision II ist nun in Ein-Position.

## **Wiederwahl der zuletzt gewählten Nummer**

Wird kein Gespräch geführt, drücken Sie die Ablehnungstaste (6) oder die Ablehnungstaste (15) auf der Fernbedienung. → Sie hören einen doppelten Piepton und das Telefon wählt die zuletzt gewählte Nummer.

## **BEENDEN EINES ANRUFES**

Zum Beenden eines Gespräches mit Ihrem Mobiltelefon, drücken Sie die Ablehnungstaste (6) oder die Ablehnungstaste (15) auf der Fernbedienung.

## **ANNAHME EINES ANRUFES**

Drücken Sie die Sprechaste (5) oder die Sprechaste (14) auf der Fernbedienung.

## **AUTOMATISCHE BEANTWORTUNG**

Wenn die Funktion zur automatischen Beantwortung an Ihrem Telefon eingestellt ist, beantwortet das Telefon automatisch das ankommende Gespräch nach einigen Klingelzeichen.

## **ABLEHNEN EINES ANRUFES**

Drücken Sie die Ablehnungstaste (6) oder die Ablehnungstaste (15) auf der Fernbedienung.

## **ZWEITER EINGEHENDER ANRUF**

Geht ein zweiter Anruf ein, während Sie telefonieren, so hören Sie einen Piepton und Sie haben die folgenden beiden Möglichkeiten:

1. Drücken Sie die Sprechaste (5) oder die Sprechaste (14) auf der Fernbedienung, um den zweiten eingehenden Anruf anzunehmen und den gegenwärtigen Anruf in Wartestellung zu bringen. → Sie können die Sprechaste (5) oder die Sprechaste (14) auf der Fernbedienung dazu verwenden, um zwischen den beiden Anrufen zu wechseln.
2. Drücken Sie die Ablehnungstaste (6) oder die Ablehnungstaste (15) auf der Fernbedienung, um den zweiten eingehenden Anruf anzunehmen und den gegenwärtigen Anruf abzulehnen.

### **Hinweis:**

Einige Telefone unterstützen diese Fähigkeit nicht via Bluetooth® oder erfordern eine Bestätigung über das Telefonmenü.

## **EINSTELLEN DER LAUTSTÄRKE DES KFZ-BAUSATZES**

Wenn Ihr Telefon und der Kfz-Bausatz gerade gepaart sind, wird die Lautstärke automatisch auf ein mittleres Niveau eingestellt. Drücken Sie die Taste Erhöhung der Lautstärke (2), um das Lautstärkeniveau zu erhöhen oder die Taste Taste zur Senkung der Lautstärke (17), um das Lautstärkeniveau zu senken. Wenn die maximale oder minimale Lautstärke des Lautsprechers des Kfz Bausatzes erreicht ist, werden Sie einen lauten Piepton hören.

## PRIVATER ANRUF (UMSTELLEN VON ANRUFEN ZWISCHEN CAR KIT UND TELEFON)

Um ein Gespräch vom Car Kit auf das Telefon umzustellen, drücken Sie die Stummtaste (16) auf der Fernbedienung. → Sie hören einen zweifachen Piepton und der Anruf wird auf das Mobiltelefon umgestellt. → Um den gegenwärtigen Anruf von Ihrem Telefon auf das Car Kit zu legen, drücken Sie erneut die Stummtaste (16) oder wählen Sie die Entsprechung im Menü des Telefons (abhängig von Ihrem Telefon).

## DTMF-BEFEHLE

Wenn Sie einen DTMF-Befehl während eines Gespräches eingeben müssen, so verwenden Sie das digitale Nummernfeld (20) auf der Fernbedienung. → Drücken Sie die Sprech taste (14) auf der Fernbedienung, um den DTMF-Befehl zu senden.

## HANDSFREE / HEADSET- MODUS

Einige Telefone benötigen Bluetooth®-Betrieb im Headset-Modus.

Um den Headset-Modus zu aktivieren, schalten Sie das Blue Vision II aus. → Halten Sie die Sprech taste (5) gedrückt und schalten Sie die Stromzufuhr ein. Sie hören eine Melodie. → Trennen Sie Ihr Mobiltelefon und das Blue Vision II, wie in Kapitel „*Trennung*“ beschrieben. → Stellen Sie die Bluetooth®-Verbindung wieder her, wie im Kapitel „*Verbindung*“ beschrieben. → Von nun an arbeitet Ihr Blue Vision II mit Ihrem Telefon im Headset-Modus. → Um zum Betrieb im Handsfree-Modus zurückzukehren, wiederholen Sie dieses Verfahren.

## STÖRUNGSSUCHE UND IHRE BESEITIGUNG

Problem	Grund	Beseitigung
Das Gerät wird über den Zigarettenanzünder nicht geladen. Die grüne LED des Zigarettenanzünders leuchtet nicht.	<ul style="list-style-type: none"><li>Die Buchse des Zigarettenanzünders ist beschädigt.</li><li>Kein Kontakt zwischen dem Stromadapter und der Buchse des Zigarettenanzünders.</li></ul>	<ul style="list-style-type: none"><li>Kontrollieren Sie das elektrische System des Fahrzeugs.</li><li>Kontrollieren Sie die Verbindung zum Zigarettenanzünder.</li></ul>
Das Gerät schaltet sich nicht ein, wenn die Ein/Aus-Taste für 5 Sekunden gedrückt wurde.	Die Batterie ist vollständig entladen.	<ul style="list-style-type: none"><li>Stellen Sie die Stromverbindung her und laden Sie die Batterie.</li><li>Wenden Sie sich an den Kundendienst.</li></ul>

## BLUETOOTH®

Der Markenname Bluetooth® sowie das *Bluetooth®* -Logo sind Eigentum von Bluetooth SIG, Inc. und jede Verwendung dieser Markenzeichen durch TE-Group NV erfolgt unter Lizenz. Andere Markenzeichen und Markennamen sind Eigentum der jeweiligen Eigentümer.

## TECHNISCHE DATEN

Parameter	Werte
Ladezeit	< 3 Stunden
Zigarettenanzünder-Spannung des Fahrzeugs	10 – 30 V
Standby-Zeit	Bis zu 300 Stunden
Sprechzeit	Bis zu 24 Stunden

## PFLEGE UND WARTUNG

Der Blue Vision II ist ein Produkt von hochwertiger Konstruktion und sollte sorgfältig behandelt werden. Die nachstehend aufgeführten Vorschläge werden Ihnen helfen, alle Garantiebedingungen zu erfüllen und sich an diesem Produkt über mehrere Jahre zu erfreuen.

- Halten Sie den Kfz-Bausatz trocken. Niederschläge, Luftfeuchtigkeit und alle Arten von Flüssigkeiten oder Feuchtigkeit können Mineralien enthalten, welche die elektronischen Schaltkreise beschädigen.
- Benutzen oder lagern Sie den Kfz-Bausatz nicht in heißen Bereichen. Hohe Temperaturen können die Lebensdauer von elektronischen Geräten verkürzen und bestimmte Plastikarten verziehen oder schmelzen.
- Lagern Sie den Kfz-Bausatz nicht in kalten Bereichen. Wenn er sich erwärmt (auf seine normale Temperatur), kann sich innen Feuchtigkeit bilden, welche die elektronischen Schaltkreise beschädigen kann.
- Versuchen Sie nicht, den Kfz-Bausatz zu öffnen. Eine nicht fachgerechte Behandlung kann ihn beschädigen.
- Benutzen Sie keine scharfen Chemikalien, Reinigungslösungsmittel oder starke Detergenzien zur Reinigung des Gerätes.

Wenn das Gerät nicht einwandfrei arbeitet, bringen Sie es zur nächsten qualifizierten Serviceeinrichtung. Das dortige Personal wird Sie unterstützen und nach Bedarf den Service arrangieren.

***mr Handsfree wünscht Ihnen eine angenehme und sichere Fahrt!***

## GARANTIE

Mr Handsfree ist ein eingetragenes Markenzeichen der TE-Group NV.

Die mr Handsfree-Marke steht für überragende Qualität und hervorragenden Kundenservice. Aus diesem Grund gibt mr Handsfree auf dieses Produkt eine Garantie von **drei (3) Jahren** auf alle Material- und Verarbeitungsfehler ab Originalkaufdatum des Produktes.

Die Bedingungen dieser Garantie und der Verantwortlichkeitsumfang von mr Handsfree in dieser Garantie entsprechen dem Folgenden:

- Diese Garantie bezieht sich auf den Originalkäufer des Produktes und ist auf keinen Folgekäufer/ Endverbraucher übertragbar.
- Während der Garantiezeit beschränkt sich die alleinige Verantwortlichkeit von mr Handsfree auf die Reparatur oder den Austausch, entsprechend seiner Wahl, von jeglichen defekten Produktteilen, wenn dies aufgrund von Fehlfunktion oder von Fehlverhalten bei normalem Gebrauch und unter normalen Bedingungen erforderlich wird. Es entstehen dem Kunden keinerlei Kosten für den Tausch von Teilen oder die Reparaturarbeit.
- Das Produkt muss in vollständiger Originalverpackung, mit vorab gezahlten Transportkosten, an ein autorisiertes Servicezentrum geschickt werden. Mr Handsfree übernimmt keine Verantwortung für Verlust oder Beschädigung während des Transporters.
- Um eine Reparatur oder einen Austausch innerhalb der Garantiezeit zu erhalten, muss der Käufer (a) einen Kaufbeweis (z.B. datierter Kaufbeleg); (b) eine schriftliche Erläuterung des/der Defekte(s); (c) eine Rücksendeadresse und eine Telefonnummer angeben.
- Diese Garantie ist für die folgenden Fälle ungültig/ deckt folgende Fälle nicht ab:
  - (a) Produkte, die unsachgemäß installiert, unautorisiert repariert, unsachgemäß gewartet, unautorisiert verändert wurden oder Fehlverhalten, das nicht von mr Handsfree zu verantworten ist;
  - (b) Produkte, die falsch gebraucht, missbraucht, nachlässig behandelt, unsachgemäß behandelte und gelagert wurden, einem Unfall- oder physikalischen Schaden unterlagen;
  - (c) Produkte, die Feuer, Wasser, übermäßiger Feuchtigkeit, Sand, Schmutz, extremen Temperaturschwankungen oder anderen Bedingungen ausgesetzt waren, die sich der Kontrolle von mr Handsfree entziehen;
  - (d) Produkte, die mit Zubehör verwendet wurden, das nicht mr Handsfree bestätigt wurde;
  - (e) Produkte, die eine geänderte, verunstaltete oder entfernte Seriennummer besitzen;
  - (f) Produkte, die von einem nicht autorisierten Servicecenter geöffnet, geändert, repariert oder modifiziert wurden.
- Von der Garantie ausgeschlossen sind Verschleißteile, die aufgrund von normalem Gebrauch und normaler Abnutzung ausgetauscht werden müssen, wie Batterien, Ohrstöpsel dekorative Teile und anderes Zubehör.
- Durch diese Garantie erhalten Sie spezielle Rechte. Sie haben mögliche zusätzliche Rechte, die von Land zu Land verschieden sein können.

## INDICE

<b>ISTRUZIONI DI SICUREZZA .....</b>	<b>2</b>
<b>DOTAZIONE DEL PRODOTTO MR HANDSFREE BLUE VISION II .....</b>	<b>2</b>
<b>PANORAMICA DEL PRODOTTO .....</b>	<b>2</b>
<b>INFORMAZIONI PRELIMINARI.....</b>	<b>3</b>
<b>INSTALLAZIONE .....</b>	<b>4</b>
<b>ABBINAMENTO.....</b>	<b>4</b>
<b>FUNZIONAMENTO .....</b>	<b>5</b>
<b>RISOLUZIONE DEI PROBLEMI .....</b>	<b>7</b>
<b>BLUETOOTH® .....</b>	<b>7</b>
<b>CARATTERISTICHE TECNICHE .....</b>	<b>8</b>
<b>CURA E MANUTENZIONE.....</b>	<b>8</b>
<b>GARANZIA.....</b>	<b>8</b>

## ISTRUZIONI DI SICUREZZA

1. Assicurarsi che il funzionamento del kit auto non abbia ripercussioni sulla sicurezza dell'utilizzatore.
2. Durante l'installazione del kit auto, evitare interferenze con l'impianto sterzante o frenante o con altri componenti essenziali al corretto funzionamento dell'automobile. Assicurarsi che l'apertura dell'airbag non venga bloccata od ostacolata.
3. Il kit auto può essere alimentato esclusivamente a una tensione di 12-24 V, con il polo negativo collegato all'impianto di terra. Se non si rispettano tali requisiti, i sistemi elettronici dell'auto potrebbero danneggiarsi.
4. Verificare che il montaggio all'aletta parasole non provochi danni al guidatore in caso di incidente.

## DOTAZIONE DEL PRODOTTO MR HANDSFREE BLUE VISION II

### Vedi figura I

- a. Unità vivavoce con altoparlante integrato
- b. Telecomando ad infrarossi
- c. Clip di fissaggio per aletta parasole
- d. Clip per il fissaggio al cruscotto
- e. Nastro biadesivo per il fissaggio al cruscotto
- f. Parte in Velcro per il fissaggio del telecomando
- g. Spina accendisigari per collegare il prodotto Blue Vision II alla presa accendisigari dell'auto

## PANORAMICA DEL PRODOTTO

### UNITÀ PRINCIPALE

#### Vedi figura II

1. Altoparlante
2. Pulsante Volume Su
3. Pulsante Volume Giù
4. Pulsante di accensione
5. Pulsante di conversazione: Risposta alla chiamata / Composizione vocale / Passaggio da una chiamata ad un'altra
6. Pulsante di chiusura: Termine chiamata / Respinta chiamata / Ricomposizione / Termine della chiamata in corso e risposta alla seconda chiamata in arrivo
7. Pulsante di abbinamento/connessione
8. Microfono integrato
9. Presa caricabatterie
10. Presa di servizio
11. Indicatore di carica della batteria
12. Ricevitore di infrarossi
13. Due calamite per il fissaggio delle clip

### TELECOMANDO

#### Vedi figura III

14. Pulsante di conversazione: Risposta alla chiamata / Composizione vocale
15. Pulsante di chiusura: Termine chiamata / Respinta chiamata / Ricomposizione
16. Pulsante Muto per le chiamate private
17. Pulsante Volume Su

18. Pulsante Volume Giù
19. Pulsante di programmazione selezione rapida
20. Tastierino
21. Scheda memoria
22. Pellicola di protezione della scheda memoria
23. Pellicola isolante rimovibile della batteria
24. Batteria a polimeri di litio
25. Vano batteria
26. Trasmettitore di infrarossi

## INFORMAZIONI PRELIMINARI

Il prodotto mr Handsfree Blue Vision II è compatibile con la maggior parte dei telefoni cellulari Bluetooth®.

Poiché i dispositivi con tecnologia Bluetooth® comunicano tramite onde radio, il kit auto e il telefono cellulare non devono essere necessariamente vicini o puntati reciprocamente in modo diretto. I due dispositivi possono rimanere entro un raggio d'azione massimo di 10 metri. Di conseguenza, non è necessario estrarre il telefono dalla tasca o dalla borsa per effettuare o ricevere chiamate tramite il kit auto.

Dal momento che i telefoni Bluetooth® hanno funzionalità variabili a seconda della casa costruttrice, alcune funzioni descritte nel presente manuale potrebbero differire o non essere disponibili.

### ATTIVAZIONE DEL TELECOMANDO

Aprire il vano batteria (25) ed estrarre la pellicola isolante (23). → Installare la batteria (24) facendo attenzione alle polarità. → Richiudere il vano batteria (25). Il telecomando è pronto per essere utilizzato.

#### **Importante!**

**Il telecomando e il kit auto sono collegati tra loro mediante un canale ad infrarossi. Verificare che il trasmettitore (26) e il ricevitore di infrarossi (12) siano orientati l'uno verso l'altro durante il funzionamento del dispositivo.**

### RICARICA DELLA BATTERIA

Il prodotto mr Handsfree Blue Vision II è dotato di una batteria ricaricabile a polimeri di litio. La batteria dispone di una carica preliminare. Tuttavia, al primo utilizzo si consiglia di caricarla completamente.

Inserire lo spinotto dell'alimentatore nella presa caricabatterie (9) e la spina accendisigari nell'accendisigari. → Appena la carica ha inizio, l'indicatore di carica della batteria (11) si illuminerà in rosso o in verde. → Se l'indicatore (11) si illumina in rosso, il kit auto deve rimanere in carica fino a quando l'indicatore (11) non diventa verde. → Scollegare il caricabatterie da auto dal kit auto.

#### **Nota:**

- Durante la ricarica è possibile utilizzare normalmente il Blue Vision II.
- Blue Vision II è compatibile con i caricabatterie portatili dei telefoni cellulari Nokia, che pertanto possono essere utilizzati per caricare Blue Vision II da casa.

### ACCENSIONE E SPEGNIMENTO DEL KIT AUTO

Per accendere il kit auto, tenere premuto il pulsante di accensione (4) per 5 secondi finché l'indicatore di carica della batteria (11) non diventerà verde e si udirà una melodia. → L'indicatore di carica della batteria (11) inizierà a lampeggiare. → Per spegnere il kit auto, tenere premuto il pulsante di accensione (4) finché si udirà una melodia e l'indicatore di carica della batteria (11) si spegnerà.

# INSTALLAZIONE

## UNITÀ PRINCIPALE

**Sull'aletta parasole:** Fissare l'unità principale all'aletta parasole con l'apposita clip (c) e orientare il microfono (8) verso la bocca. Posizione principale di funzionamento del microfono: il microfono deve essere fatto ruotare rispetto all'unità principale e l'estremità del microfono deve essere orientata verso la bocca.

**Sul cruscotto:** Fissare l'unità principale al cruscotto con il nastro biadesivo e l'apposita clip piatta di metallo (d).

Per ottenere un funzionamento ottimale, posizionare il microfono ad una distanza di 30-50 centimetri dalla bocca del conducente.

### Nota:

Si consiglia di non cambiare la posizione del microfono durante una chiamata perché potrebbe crearsi un effetto eco. Se queste istruzioni vengono rispettate, la conversazione sarà agevole in entrambe le direzioni di comunicazione.

## TELECOMANDO

Per fissare il telecomando al cruscotto, estrarre la scheda memoria (21) dal retro del telecomando. Una volta estratta la scheda memoria, è possibile fissare il telecomando al cruscotto utilizzando il Velcro (6). Verificare che il trasmettitore di infrarossi (26) del telecomando sia orientato verso il ricevitore di infrarossi (12) dell'unità principale e che entrambi i dispositivi si trovino sulla stessa linea di visuale.

## ABBINAMENTO

Prima di poter utilizzare il kit Blue Vision II, è necessario abbinarlo con il proprio telefono cellulare.

Il kit Blue Vision II può contenere informazioni relative abbinamento con 2 diversi telefoni dotati di tecnologia Bluetooth®. Se si cerca di abbinamento il kit con un terzo dispositivo, i dati relativi alla abbinamento meno recente vengono cancellati dalla memoria.

Quando uno qualsiasi dei dispositivi abbinati con il kit auto Blue Vision II entra nel raggio d'azione di 10 m di un kit acceso, il prodotto tenterà automaticamente di connettersi all'ultimo telefono cellulare a cui si è collegato. Qualora il telefono in questione non fosse disponibile, il Blue Vision II cercherebbe automaticamente di stabilire una connessione con il secondo telefono con cui è abbinato. Il Blue Vision II può supportare una sola connessione attiva alla volta.

Verificare che il telefono cellulare e il kit auto siano accesi. → Tenere premuto il pulsante di abbinamento (7) per 5 secondi fino a quando si udirà una melodia e la spia (11) si illuminerà di verde e di rosso in modo alternato. La modalità abbinamento viene attivata per due minuti (durante questo periodo, la spia (11) continua a lampeggiare). → Accedere al menu Bluetooth® del telefono e verificare che la funzione Bluetooth® sia attiva. → Accedere al sottomenu che permette al telefono di ricercare dispositivi Bluetooth®. Avviare la ricerca. → Il telefono ricercherà tutti i dispositivi Bluetooth® in un raggio di circa 10 metri e li visualizzerà in un elenco. → Selezionare il prodotto Blue Vision II dall'elenco. → Digitare il codice di abbinamento "0000" e collegare il Blue Vision II al telefono. → La spia (11) smetterà di lampeggiare e comparirà "Blue Vision II" nel menu del telefono cellulare, in cui sono elencati i dispositivi Bluetooth® attualmente abbinati al telefono cellulare.

## CONNESSIONE

In alcuni casi, è possibile disconnettere Blue Vision II dal telefono cellulare. In tal caso, sarà necessario ristabilire la connessione.

- Se Blue Vision II è stato spento: è sufficiente accendere il dispositivo e la connessione verrà ristabilita automaticamente.
- Se il telefono cellulare è stato spento: Accendere il telefono cellulare e ristabilire la connessione utilizzando il menu del telefono.
- Se uno dei due dispositivi è uscito dal raggio di azione: Verificare che entrambi i dispositivi si trovino all'interno del raggio di azione e premere il pulsante di connessione (7) una volta.

## **Nota:**

In tutti i modelli di telefono cellulare è consigliabile impostare l'opzione "Consenti" oppure "Autorizzato" sul menù Bluetooth® del cellulare per rendere possibile la connessione con il kit Blue Vision II. Per ulteriori informazioni, fare riferimento al manuale di istruzioni del proprio telefono cellulare.

## **SCOLLEGARE IL KIT AUTO DAL TELEFONO CELLULARE**

È possibile scollegare il kit auto dal telefono quando, per esempio, si desidera utilizzare il telefono con un altro dispositivo Bluetooth®. Il prodotto Blue Vision II può essere scollegato nei seguenti modi:

1. Spegnendo il kit auto.
2. Disattivando il kit auto dal menu del telefono.
3. Spostando il telefono oltre un raggio d'azione di 10 metri dal kit auto.

## **FUNZIONAMENTO**

Prima di utilizzare il mr Handsfree Blue Vision II, verificare che:

- il kit auto sia sincronizzato e collegato al telefono.
- la funzione Bluetooth del telefono sia attiva (consultare il manuale di istruzioni del telefono).
- il kit auto sia acceso e l'indicatore di carica della batteria (11) sia lampeggiante.

## **EFFETTUARE UNA CHIAMATA**

### **Tramite la tastiera del telefono**

Digitare il numero telefonico sulla tastiera del telefono. → Premere il pulsante di chiamata del telefono.

### **Tramite la composizione vocale**

Se non è in corso nessuna chiamata, premere una volta il pulsante di conversazione (5) oppure il pulsante di conversazione (14) sul telecomando. → Un tono indicherà che è possibile pronunciare il nome desiderato ("richiamo vocale"). → Pronunciare il richiamo vocale. → Il telefono riprodurrà il richiamo vocale e comporrà il numero telefonico corrispondente.

È possibile attivare la composizione vocale anche tramite il telefono. Per maggiori dettagli sulla composizione vocale, consultare il manuale del telefono. Attenzione: la funzione di composizione vocale è disponibile solo se è supportata dal telefono.

### **Uso della tastiera digitale del telecomando**

Utilizzare i tasti della tastiera per comporre il numero (per digitare "+", tenere premuto il tasto \* fino al segnale acustico di conferma). → Premere il pulsante di conversazione (14) del telecomando per effettuare la chiamata.

### **Uso della selezione rapida**

La selezione rapida consente di impostare un numero ad una sola cifra da abbinare ai numeri telefonici che si utilizzano più spesso. È sufficiente selezionare il numero di selezione rapida per comporre il numero di telefono corrispondente. Blue Vision II può memorizzare fino a 10 numeri di selezione rapida.

#### Programmazione dei numeri di selezione rapida

Tenere premuto il pulsante "OK" (19) sul telecomando per due secondi fino al doppio segnale acustico di conferma. → Premere un tasto da "0" a "9" per selezionare la destinazione in cui memorizzare il numero telefonico. Si udirà un doppio segnale acustico. → Comporre il numero telefonico sulla tastiera digitale. → Premere il pulsante "OK" (19) per confermare il numero oppure il pulsante di chiusura (15) se non si desidera salvare il numero. Si udirà un doppio segnale acustico. → Il numero telefonico digitato corrisponde ora al numero di selezione rapida che è stato selezionato.



**Nota:**

- È possibile scrivere il nome dei numeri memorizzati per la selezione rapida sul retro del telecomando, dove si trova l'apposita scheda di memoria (21).
- Se si desidera sostituire un numero di telefono programmato nella memoria di selezione rapida, è necessario eseguire la procedura appena descritta e sovrascrivere il nuovo numero telefonico su quello precedentemente memorizzato.

**Per effettuare una chiamata**

Selezionare il numero di selezione rapida assegnato al numero telefonico che si desidera chiamare. → Tenere premuto il tasto corrispondente sul telecomando per 2 secondi. → Si udirà un triplo segnale acustico e verrà composto il numero telefonico corrispondente.

**Cancellazione di tutti i numeri di selezione rapida**

È possibile cancellare tutti i numeri di selezione rapida memorizzati nel telecomando di Blue Vision II.

Spegnere Blue Vision premendo il pulsante di accensione/spegnimento (4). → Tenere premuto il pulsante di chiusura (6) dell'unità principale e premere il pulsante di accensione/spegnimento (4) per un secondo, premendo al tempo stesso il pulsante di chiusura (6). → Si udirà un segnale acustico di conferma, ad indicare che l'elenco dei numeri di selezione rapida è stato cancellato. → Blue Vision II è acceso.

**Ricomposizione dell'ultimo numero chiamato**

Premere il pulsante di chiusura (6) oppure il pulsante di chiusura (15) sul telecomando quando non è in corso nessuna chiamata. → Si udirà un doppio segnale acustico e verrà composto l'ultimo numero chiamato.

**TERMINE DI UNA CHIAMATA**

Premere il pulsante di chiusura (6) oppure il pulsante di chiusura (15) sul telecomando per terminare la chiamata con il telefono cellulare.

**RISPOSTA ALLA CHIAMATA**

Premere il pulsante di conversazione (5) oppure il pulsante di conversazione (14) sul telecomando.

**RISPOSTA AUTOMATICA**

Se sul telefono è impostata la funzione di risposta automatica, il telefono risponderà automaticamente dopo alcuni squilli.

**CHIAMATA RESPINTA**

Premere il pulsante di chiusura (6) oppure il pulsante di chiusura (15) sul telecomando.

**SECONDA CHIAMATA IN ARRIVO**

Se durante una conversazione si riceve una seconda chiamata, viene attivato un segnale acustico e si può scegliere tra due possibilità:

1. Premere il pulsante di conversazione (5) oppure il pulsante di conversazione (14) sul telecomando per accettare la seconda chiamata e mettere in attesa quella in corso. → Per passare da una chiamata all'altra, si può premere il pulsante di conversazione (5) oppure il pulsante di conversazione (14) sul telecomando.
2. Premere il pulsante di chiusura (6) oppure il pulsante di chiusura (15) sul telecomando per accettare la seconda chiamata e respingere quella in corso.

**Nota:**

Alcuni telefoni cellulari non supportano questa funzione tramite Bluetooth® o richiedono una conferma dal menu del telefono cellulare.

## REGOLAZIONE DEL VOLUME DEL KIT AUTO

Alla prima sincronizzazione tra telefono e kit auto, il volume viene impostato automaticamente a un livello medio. Premere il pulsante Volume Su (2 o 17) per aumentare il volume, o il pulsante Volume Giù (3 o 18) per diminuirlo.

Se viene raggiunto il volume massimo o minimo dell'altoparlante del kit auto, l'apparecchio emetterà un tono evidente.

## CHIAMATA PRIVATA (TRASFERIMENTO DELLE CHIAMATE DAL KIT AUTO AL TELEFONO CELLULARE)

Per passare una chiamata dal kit auto al telefono cellulare, premere il pulsante Muto (16) sul telecomando. → Si udirà un doppio segnale acustico e la chiamata sarà trasferita al telefono cellulare. → Per trasferire la conversazione in corso dal telefono cellulare al kit auto, premere nuovamente il pulsante Muto (16) oppure selezionare la voce corrispondente nel menu del telefono cellulare (a seconda del telefono cellulare).

## COMANDI DTMF

Per inviare un comando DTMF durante una chiamata, utilizzare la tastiera digitale (20) del telecomando. → Per inviare il comando DTMF, premere il pulsante di conversazione (14) sul telecomando.

## MODALITÀ VIVAVOCE

Alcuni telefoni cellulari richiedono il funzionamento del dispositivo Bluetooth® in modalità vivavoce.

Per attivare la modalità vivavoce, spegnere il dispositivo Blue Vision II. → Tenere premuto il pulsante di conversazione (5) e accendere il dispositivo. Si udirà una melodia. → Disconnettere il telefono cellulare e il dispositivo Blue Vision II seguendo le istruzioni del paragrafo "Disconnessione". → Ristabilire la connessione Bluetooth® seguendo le istruzioni del paragrafo "Connessione". → Da questo momento, il dispositivo Blue Vision II funzionerà in abbinamento al telefono cellulare in modalità auricolare. → Per ripristinare la modalità vivavoce, ripetere la stessa procedura.

## RISOLUZIONE DEI PROBLEMI

Problema	Causa	Rimedio
Non è possibile caricare il dispositivo tramite la spina accendisigari. La spia LED della spina accendisigari è spenta.	<ul style="list-style-type: none"><li>• La presa accendisigari è danneggiata.</li><li>• Non c'è contatto tra l'alimentatore e la presa accendisigari.</li></ul>	<ul style="list-style-type: none"><li>• Controllare il circuito elettrico dell'auto.</li><li>• Controllare che la spina accendisigari sia inserita correttamente.</li></ul>
Il dispositivo non si accende quando si tiene premuto il pulsante di accensione per 5 secondi.	La batteria è completamente scarica.	<ul style="list-style-type: none"><li>• Collegare un alimentatore e caricare la batteria.</li><li>• Rivolgersi a un centro assistenza.</li></ul>

## BLUETOOTH®

Il marchio e i logo *Bluetooth*® sono di proprietà di Bluetooth SIG, Inc. e tali marchi vengono utilizzati da TE-Group NV su licenza. Altri marchi e nomi commerciali appartengono ai rispettivi proprietari.

## CARATTERISTICHE TECNICHE

Parametro	Valore
Tempo di carica	< 3 ore
Voltaggio accendisigari auto	10 – 30 V
Tempo di standby	300 ore
Tempo di conversazione	24 ore

## CURA E MANUTENZIONE

Il prodotto Blue Vision II è realizzato secondo i massimi standard qualitativi e deve essere trattato con cura. Attenendosi alle istruzioni sotto elencate, il prodotto durerà per anni e tutte le condizioni di garanzia verranno rispettate.

- Mantenere il kit auto asciutto. Le precipitazioni atmosferiche, l'umidità e tutti i liquidi e possono contenere minerali in grado di corrodere i circuiti elettronici del prodotto.
- Non utilizzare o conservare il kit auto in ambienti caldi. Le temperature elevate, infatti, possono abbreviare la durata dei dispositivi elettronici e deformare o sciogliere i componenti in plastica.
- Non conservare il kit auto in ambienti freddi. Infatti, quando l'apparecchio torna a temperatura normale potrebbe formarsi condensa in grado di danneggiare le schede dei circuiti elettronici.
- Non tentare di aprire il kit auto. La manipolazione da parte di non esperti potrebbe causare danneggiamenti.
- Non utilizzare prodotti chimici o detergenti aggressivi o solventi per la pulizia del dispositivo.

Se il dispositivo non funziona correttamente, recarsi presso un centro assistenza qualificato. Il personale potrà risolvere ogni problema e, se necessario, provvedere alla riparazione.

*mr Handsfree vi augura buon viaggio nella massima sicurezza!*

## GARANZIA

Mr Handsfree è un marchio di fabbrica di TE-Group NV.

Il marchio mr Handsfree indica la qualità superiore del prodotto e un eccellente servizio di assistenza ai clienti. È per questo che mr Handsfree garantisce il prodotto per qualsiasi difetto nei materiali e nella fabbricazione, per un periodo di **tre (3) anni** dalla data di acquisto originale del prodotto.

Condizioni della presente garanzia e Ambito della responsabilità di mr Handsfree in virtù della presente garanzia:

- La presente garanzia è limitata all'acquirente originale del prodotto ed è intrasferibile ad eventuali secondi acquirenti/utenti finali.
- Per la durata della garanzia, la responsabilità di mr Handsfree sarà limitata alla riparazione o alla sostituzione, a sua discrezione, di eventuali componenti difettosi del prodotto, qualora sia necessario a causa di malfunzionamento o guasto a seguito di condizioni e utilizzo normali. I ricambi e/o le riparazioni non comporteranno alcun costo per il cliente.
- Il prodotto deve essere spedito ad un centro di assistenza autorizzato, con l'imballaggio originale completo e le spese di trasporto prepagate. Mr Handsfree declina ogni responsabilità per eventuali smarrimenti o danni subiti durante il trasporto.
- Per ottenere la riparazione o la sostituzione previste dalla presente garanzia, il cliente deve fornire (a) una prova dell'acquisto (ad es. scontrino completo di data); (b) una descrizione scritta del difetto/dei difetti; (c) l'indirizzo a cui rispedire il prodotto e un recapito telefonico.
- La presente garanzia non è valida e non fornisce copertura nei seguenti casi:
  - (a) Prodotti che hanno subito una installazione non corretta, riparazioni non autorizzate, una manutenzione inadeguata, modifiche non autorizzate o altri interventi non attribuibili a mr Handsfree;
  - (b) Prodotti sottoposti a usi scorretti, abusi, trascuratezza, manipolazione e conservazioni inadeguate, incidenti o danneggiamenti fisici;
  - (c) Prodotti esposti al fuoco, all'acqua, ad umidità eccessiva, alla sabbia, alla sporcizia, a sbalzi estremi di temperatura o ad altre condizioni che esulano dal controllo da parte di mr Handsfree;
  - (d) Prodotti utilizzati con accessori non approvati da mr Handsfree;
  - (e) Prodotti il cui numero di serie sia stato alterato, cancellato o rimosso;
  - (f) Prodotti aperti, alterati, riparati o modificati da qualsiasi centro di assistenza non autorizzato.
- Sono esclusi da ogni garanzia tutti gli elementi usurabili che possono richiedere la sostituzione a causa della normale usura e logoramento, come ad esempio le batterie, i cuscinetti per orecchie, le parti decorative ed altri accessori.
- La presente garanzia fornisce dei precisi diritti legali al cliente, il quale potrebbe godere anche di altri diritti che variano da paese a paese.

## ÍNDICE

<b>INSTRUCCIONES DE SEGURIDAD .....</b>	<b>2</b>
<b>¿QUÉ INCLUYE EL MR HANDSFREE BLUE VISION II? .....</b>	<b>2</b>
<b>PERSPECTIVA GENERAL.....</b>	<b>2</b>
<b>PARA EMPEZAR.....</b>	<b>3</b>
<b>INSTALACIÓN .....</b>	<b>4</b>
<b>EMPAREJAMIENTO .....</b>	<b>4</b>
<b>UTILIZACIÓN.....</b>	<b>5</b>
<b>TROUBLE-SHOOTING.....</b>	<b>7</b>
<b>BLUETOOTH® .....</b>	<b>7</b>
<b>DATOS TÉCNICOS.....</b>	<b>7</b>
<b>CUIDADOS Y MANTENIMIENTO .....</b>	<b>8</b>
<b>GARANTÍA.....</b>	<b>8</b>

## INSTRUCCIONES DE SEGURIDAD

1. Asegúrese de que la utilización del kit del coche nunca ponga en peligro su seguridad.
2. Durante la instalación, asegúrese de no interferir en los sistemas de dirección, de frenos o de cualquier otro sistema esencial para el correcto funcionamiento del vehículo. Asegúrese también de que el 'airbag' no sea bloqueado o imposibilitado de ninguna forma.
3. El kit del coche puede usarse únicamente con un voltaje de operación de 12 a 24V con el polo negativo conectado a tierra. De no hacerlo así, podrán producirse daños en el sistema electrónico del vehículo.
4. Asegúrese de que el montaje de la visera no pueda causarle ningún daño en caso de accidente.

## ¿QUÉ INCLUYE EL MR HANDSFREE BLUE VISION II?

### Véase la figura I

- a. Unidad de manos libres con altavoz integrado
- b. Mando a distancia infrarrojo
- c. Clip para el montaje a la visera solar
- d. Clip para la fijación al salpicadero
- e. Cinta con adhesivo a los dos lados para fijación al salpicadero
- f. Trozo de Velcro para la fijación del mando a distancia
- g. Clavija para conectar el Blue Vision II al suministro eléctrico del vehículo por medio del encendedor del coche

## PERSPECTIVA GENERAL

### UNIDAD PRINCIPAL

#### Véase la figura II

1. Altavoz
2. Botón de Aumento del volumen
3. Botón de Disminución del volumen
4. Botón de Encender/Apagar
5. Botón de Hablar: Contestación a llamadas / Marcación por voz / Cambio entre dos llamadas
6. Botón de Rechazar: Finalización de llamadas / Rechazo de llamadas / Volver a marcar / Finalización de la llamada actual y contestación a la 2ª llamada entrante
7. Botón de Emparejamiento / Conexión
8. Micrófono integrado
9. Toma para cargar
10. Toma de servicio
11. Indicador del estado de la batería
12. Receptor de infrarrojo
13. Dos imanes para la fijación de los clips

### MANDO A DISTANCIA

#### Véase la figura III

14. Botón de Hablar: Contestación a llamadas / Marcación por voz
15. Botón de Rechazar: Finalización de llamadas / Rechazo de llamadas / Volver a marcar
16. Botón de Silencio para llamadas privadas

17. Botón de Aumento del volumen
18. Botón de Disminución del volumen
19. Botón de Programación de marcación rápida
20. Teclado
21. Tarjeta de memoria
22. Película de protección de la tarjeta de memoria
23. Película de aislamiento de la batería extraíble
24. Batería de polímero de litio
25. Tapa de la batería
26. Transmisor de infrarrojo

## PARA EMPEZAR

El mr Handsfree Blue Vision II es compatible con la mayor parte de los teléfonos móviles Bluetooth®.

Ya que los aparatos utilizando la tecnología Bluetooth® se comunican a través de frecuencias de radio, su kit del coche y su teléfono móvil no tienen que estar en el campo visual directo. Los dos aparatos necesitan solamente estar a una distancia máxima de 10 metros el uno del otro, de forma que no es necesario sacar el teléfono del bolsillo o de cualquier otro sitio para llamar o recibir llamadas a través del kit del coche.

Como los teléfonos Bluetooth® manufacturados por distintos fabricantes ofrecen diversas funciones, algunas de las funciones descritas en este manual pueden resultar distintas o no ser aplicables.

### ACTIVACIÓN DEL MANDO A DISTANCIA

Abra la tapa de la batería (25) y quite la película de aislamiento (23). → Instale la batería (24) teniendo en cuenta la polaridad. → Cierre la tapa de la batería (25). Ahora puede usar el mando a distancia.

**¡Importante!**

**El mando a distancia y el kit del coche están conectados por medio de un canal infrarrojo. Por favor, asegúrese de que el transmisor de infrarrojo (26) y el receptor (12) están orientados uno hacia el otro durante el funcionamiento.**

### CARGA DE LA BATERÍA

El mr Handsfree Blue Vision II se vende con una batería recargable de Litio-Polímero. Aunque la batería ha sido previamente cargada, se recomienda cargarla de nuevo antes de utilizar el kit del coche por primera vez.

Enchufe la toma del adaptador en el enchufe de carga (9) y la clavija del encendedor en el enchufe del mechero. → Se encenderá el indicador del estado de la batería (11) rojo o verde cuando empiece el proceso de carga. → Si se enciende el indicador (11) rojo, se tiene que cargar el kit del coche hasta que el indicador (11) se ponga verde. → Desenchufe el cargador del coche del kit del coche.

**Importante:**

- Usted puede seguir utilizando el Blue Vision II durante el proceso de carga.
- El Blue Vision II es compatible con los cargadores de viaje de los teléfonos móviles Nokia. Por lo tanto puede usarlos para cargar el Blue Vision II en casa.

### ENCENDER Y APAGAR EL KIT DEL COCHE

Para encender el kit del coche, mantenga pulsado el botón de Encender (4) durante 5 segundos hasta que se ponga verde el indicador del estado de la batería (11) y oirá un tono de melodía. → Empezará a destellar el indicador del estado de la batería (11). → Para apagar el kit del coche, mantenga pulsado el botón de Encender (4) hasta que oiga un tono de melodía y se apague el indicador del estado de la batería (11).

# INSTALACIÓN

## UNIDAD PRINCIPAL

**En la visera del sol:** Fije la unidad principal en la visera del sol usando el clip especial (c) y oriente el soporte del micrófono (8) hacia su boca. Esta es la posición de funcionamiento principal del soporte del micrófono. El soporte del micrófono puede girar desde la unidad principal y su extremo se tiene que orientar hacia su boca.

**En el salpicadero:** Ponga la unidad principal en el salpicadero usando la cinta con adhesivo a los dos lados y el clip metálico plano para la fijación al salpicadero (d).

Para obtener un rendimiento óptimo, se tiene que colocar el micrófono a una distancia de 30-50 cm de la boca del conductor.

### Importante:

Le aconsejamos que no modifique la posición del micrófono durante una llamada en curso ya que podría producirse un efecto de eco. Si sigue estos consejos, usted dispondrá de una cómoda forma bidireccional simultánea de comunicación durante sus conversaciones telefónicas.

## MANDO A DISTANCIA

Para fijar el mando a distancia al salpicadero, tiene que quitar la tarjeta de memoria (21) de la parte de atrás del mando a distancia. Después de quitar la tarjeta de memoria, puede poner el mando a distancia en el salpicadero usando el Velcro (6). Asegúrese de que el transmisor de infrarrojo del mando a distancia (26) está orientado hacia el receptor de infrarrojo (12) de la unidad principal y de que las dos unidades están en la línea de visión entre ellas.

# EMPAREJAMIENTO

Tiene que emparejar el Blue Vision II con su teléfono móvil antes de usarlo.

Su Blue Vision puede guardar información de emparejamiento de hasta 2 teléfonos Bluetooth® distintos. Cuando se intenta emparejar más de 2 dispositivos, se borra de la memoria el dispositivo emparejado más antiguo.

Cuando alguno de los dispositivos emparejados está a una distancia máxima de 10 metros y el Blue Vision II está encendido, el Blue Vision II iniciará automáticamente la conexión con el último teléfono móvil a que se conectó. En caso de que no esté disponible este teléfono, el Blue Vision II buscará automáticamente el segundo teléfono emparejado para conectarse. El Blue Vision II puede tener una conexión activa.

Asegúrese de que están encendidos el teléfono y el kit del coche. → Mantenga pulsado el botón de Emparejamiento (7) durante 5 segundos hasta que oiga un tono de melodía y destelle el indicador (11) en los colores verde y rojo alternativamente. Ahora está activado el modo de emparejando durante dos minutos (durante estos 2 minutos, seguirá parpadeando el indicador (11)). → Introduzca el menú Bluetooth® de su teléfono y asegúrese de que el Bluetooth® esté activado. → Introduzca el submenú en el cual pueda establecer el teléfono para detectar aparatos Bluetooth® e iniciar la búsqueda. → El teléfono detectará todos los aparatos Bluetooth® que se encuentran en un radio aproximado de 10 metros y los mostrará en un listado. → Seleccione el Blue Vision II de entre la lista. → Introduzca la clave "0000" para conectar y equiparar el Blue Vision II a su teléfono. → Dejará de parpadear el indicador (11) y aparecerá "Blue Vision II" en el menú del teléfono donde puede ver los dispositivos Bluetooth® que están emparejados actualmente con su teléfono.

## CONEXIÓN

En algunos casos se puede desconectar el Blue Vision II de su teléfono y tendrá que restablecer la conexión.

- Si se ha apagado el Blue Vision II: Encienda la energía y se restablecerá la conexión automáticamente.
- Si se ha apagado el teléfono móvil: Encienda el teléfono móvil y restablezca la conexión por medio del menú del teléfono.
- Si uno de los dos dispositivos está fuera del alcance: Asegúrese de que los dos dispositivos están dentro del alcance de funcionamiento y pulse el botón de Conexión (7) una vez.

### **Importante:**

Para todos los tipos de teléfono móvil, se recomienda poner "Trust" o "Authorized" para Blue Vision II en el menú de Bluetooth® de su teléfono móvil. Por favor, consulte el manual de su teléfono móvil para obtener una información más detallada.

## **DESCONEXIÓN**

Usted puede desconectar el kit del coche de su teléfono cuando, por ejemplo, desea utilizar otro aparato Bluetooth® con su teléfono. El Blue Vision II puede ser desconectado de las formas siguientes:

1. Apague el kit del coche.
2. Desconecte el kit del coche en el menú del teléfono.
3. Retire el teléfono hasta una distancia mayor a 10 metros del kit del coche.

## **UTILIZACIÓN**

Antes de utilizar el mr Handsfree Blue Vision II asegúrese de que:

- El kit del coche está equiparado y conectado a su teléfono.
- La función del Bluetooth® está activa; véase el manual de uso de su teléfono.
- El kit del coche se encuentra accionado y el indicador de estado de la batería (11) emite una señal intermitente.

## **REALIZAR UNA LLAMADA**

### **Utilizando el teclado numérico de su teléfono móvil**

Marque el número en el teclado numérico. → Presione el botón de habla del teléfono.

### **Utilizando la marcación por voz**

Cuando no se esté haciendo ninguna llamada, pulse una vez el botón de Hablar (5) o el botón de Hablar (14) del mando a distancia. Oirá un tono que le indica que puede pronunciar el nombre deseado ("voz codificada"). → Pronuncie la voz codificada. → El teléfono usa la voz codificada y marca el número de teléfono correspondiente.

También puede usted activar el marcado con voz desde su teléfono. Para más detalles sobre la utilización de la voz para marcar, le sugerimos que consulte el manual de su teléfono.

### **Uso del teclado digital del mando a distancia**

Pulse los botones del teclado para poner el número (para poner "+" tiene que mantener pulsado el botón de \* hasta que oiga un pitido de confirmación). → Pulse el botón de Hablar (14) en el mando a distancia para iniciar la llamada.

### **Uso de la marcación rápida**

La marcación rápida le permite asignar un número de un dígito para los números de teléfono a los que llame con más frecuencia. Solo tiene que seleccionar el número de marcación rápida para marcar el número de teléfono correspondiente. El Blue Visión II puede guardar hasta 10 números de marcación rápida.

#### Programación de los números de marcación rápida

Mantenga pulsado el botón de "OK" (19) del mando a distancia durante 2 segundos hasta que oiga un tono de pitido doble. → Pulse un botón de "0" a "9" para seleccionar el número de la memoria en que le gustaría guardar el número de teléfono. Oirá un tono de pitido doble. → Introduzca el número de teléfono usando el teclado digital. → Pulse el botón de "OK" (19) para confirmar el número o pulse el botón de Rechazar (15) si no quiere guardar el número. Oirá un tono de pitido doble. → El número de teléfono que ha introducido corresponderá ahora al número de marcación rápida seleccionado.

#### **Nota:**

- Puede escribir los nombres para los números grabados de marcación rápida en la parte de atrás del mando a distancia donde se pone la tarjeta de memoria correspondiente (21).



- Si quiere cambiar un número de teléfono programado en la memoria de marcación rápida, tiene que seguir los mismos pasos descritos arriba para sobrescribir el número para un número de teléfono nuevo.

### Hacer una llamada

Seleccione el número de marcación rápida al que ha asignado el número de teléfono al que quiere llamar. → Mantenga pulsado el botón digital correspondiente del mando a distancia durante 2 segundos. → Oirá un tono de pitido triple y se marcará el número de teléfono correspondiente.

### Borrar todos los números de marcación rápida

Se pueden borrar todos los números de marcación rápida que están guardados en el mando a distancia del Blue Vision II. Apague el Blue Vision II usando el botón de Encender/Apagar (4). → Mantenga pulsado el botón de Rechazar (6) de la unidad principal y pulse el botón de Encender/Apagar (4) durante 1 segundo a la vez que pulsa el botón de Rechazar (6). → Oirá un tono de confirmación para indicar que se ha borrado la lista de marcación rápida. → Su Blue Vision II ahora está encendido.

### **Volver a marcar el último número marcado**

Pulse el botón de Rechazar (6) o el botón de Rechazar (15) del mando a distancia cuando no esté realizando ninguna llamada. → Oirá un pitido doble y el teléfono marcará el último número marcado.

### **FINALIZAR UNA LLAMADA**

Pulse el botón de Rechazar (6) o el botón de Rechazar (15) del mando a distancia para terminar la llamada con su teléfono móvil.

### **CONTESTAR A UNA LLAMADA**

Pulse el botón de Hablar (5) o el botón de Hablar (14) del mando a distancia.

### **RESPUESTA AUTOMÁTICA**

Si la función de respuesta automática ha sido activada en su teléfono, éste responde automáticamente a la llamada entrante tras sonar algunas veces el tono de llamada.

### **RECHAZAR UNA LLAMADA**

Pulse el botón de Rechazar (6) o el botón de Rechazar (15) del mando a distancia.

### **SEGUNDA LLAMADA ENTRANTE**

Si tiene una segunda llamada durante una conversación, oirá un tono de pitido y tiene las dos opciones siguientes:

1. Pulsar el botón de Hablar (5) o el botón de Hablar (14) del mando a distancia para recibir la segunda llamada y poner la en espera la llamada actual. → Puede pulsar otra vez el botón de Hablar (5) o el botón de Hablar (14) del mando a distancia para cambiar entre las dos llamadas.
2. Pulsar el botón de Rechazar (6) o el botón de Rechazar (15) del mando a distancia para recibir la segunda llamada y rechazar la llamada actual.

#### **Nota:**

Algunos teléfonos no tienen esta característica por medio de Bluetooth® o necesitan la confirmación desde el menú del teléfono.

### **AJUSTE DEL VOLUMEN DEL ALTAVOZ DEL KIT DEL COCHE**

Si su teléfono y el kit del coche han sido conectados y equipados correctamente, el volumen ha sido establecido automáticamente en el medio. Pulse el botón de Aumento del volumen (2 o 17) para aumentar el nivel del volumen o el botón de Reducción del volumen (3 o 18) para reducir éste.

Cuando se alcancen los niveles máximo o mínimo en el altavoz del kit del coche, se oirá un pitido intermitente de gran sonoridad.

## LLAMADA PRIVADA (PASAR LLAMADAS ENTRE EL KIT DEL COCHE Y EL TELÉFONO MÓVIL)

Para pasar una llamada del kit del coche al teléfono móvil, pulse el botón de Silencio (16) del mando a distancia. → Oirá un tono de pitido doble y se pasará la llamada a su teléfono móvil. → Para pasar la llamada actual del teléfono móvil al kit del coche pulse otra vez el botón de Silencio (16) o seleccione el elemento correspondiente del menú del teléfono (depende de su teléfono móvil).

## COMANDOS DTMF

Si necesita marcar un comando DTMF durante una llamada, use el teclado digital (20) del mando a distancia. → Pulse el botón de Hablar (14) en el mando a distancia para enviar el comando DTMF.

## MODO DE MANOS LIBRES / AURICULAR

Algunos teléfonos necesitan el funcionamiento Bluetooth® en el modo de auricular.

Para activar el modo de auricular, apague el Blue Vision II. → Mantenga pulsado el botón de Hablar (5) y encienda la energía. Oirá un tono de melodía. → Desconecte su teléfono móvil y el Blue Vision II como se describe en el capítulo de “*Desconexión*”. → Restablezca la conexión Bluetooth® como se describe en el capítulo de “*Conexión*”. → A partir de ahora su Blue Vision II funcionará con su teléfono en el modo de auricular. → Para restablecer el funcionamiento en el modo de manos libres, tiene que repetir este procedimiento.

## TROUBLE-SHOOTING

Problema	Motivo	Solución
El aparato no carga desde la clavija del encendedor. El piloto verde de la clavija del encendedor está apagado.	<ul style="list-style-type: none"><li>• El enchufe del encendedor está deteriorado.</li><li>• No existe contacto entre el transformador y el enchufe del encendedor.</li></ul>	<ul style="list-style-type: none"><li>• Controle el circuito eléctrico del coche.</li><li>• Controle la conexión con la clavija del encendedor.</li></ul>
El dispositivo no se enciende cuando se pulsa el botón de Encender/Apagar durante 5 segundos.	La batería está completamente descargada.	<ul style="list-style-type: none"><li>• Conecte el adaptador de energía y cargue la batería.</li><li>• Acuda a un centro de servicio.</li></ul>

## BLUETOOTH®

La marca literal y los logotipos *Bluetooth*® son propiedad de Bluetooth SIG. Inc, y cualquier uso de dichas marcas por TE-Group NV se hace bajo licencia. Otras marcas y nombres comerciales son propiedad de sus respectivos titulares.

## DATOS TÉCNICOS

Parámetro	Valor
Tiempo de carga	< 3 horas
Voltaje del mechero del coche	10 – 30 V
Tiempo en espera	Hasta 300 horas
Tiempo en conversación	Hasta 24 horas

## CUIDADOS Y MANTENIMIENTO

El Blue Vision II es un producto de alto diseño y debe tratarse con esmero. Las sugerencias que siguen a continuación le ayudarán a cumplir con cualquier tipo de garantía y a disfrutar de este producto durante muchos años.

- Mantenga el kit del coche seco. La lluvia, la humedad y cualquier otro tipo de líquidos o saturaciones pueden contener minerales corrosivos para el circuito electrónico.
- No utilice o guarde el kit del coche en áreas muy calientes. Las altas temperaturas pueden disminuir la duración de los componentes electrónicos e incluso deformar o fundir ciertos plásticos.
- No guarde el kit del coche en áreas muy frías. Al calentarse (a su temperatura normal), se puede formar condensación, lo que podría perjudicar las placas de los circuitos electrónicos.
- No intente abrir el kit del coche. El manejo inexperto puede dar lugar a daños.
- No utilice productos químicos agresivos, disolventes de limpieza o detergentes duros para limpiar el aparato.

Si el aparato no funcionara correctamente, llévelo al centro de servicio cualificado más cercano. Los colaboradores de este centro le atenderán y, si fuera necesario, se ocuparán de su mantenimiento y revisión.

*¡mr Handsfree le desea un viaje seguro y agradable!*

## GARANTÍA

Mr Handsfree es una marca registrada de TE-Group NV.

La marca mr Handsfree representa una calidad de producto superior y una excelente atención al cliente. Por esto es por lo que mr Handsfree garantiza este producto contra todos los defectos materiales y de mano de obra durante un periodo de **tres (3) años** a partir de la fecha de compra original del producto. Las condiciones de esta garantía y el alcance de la responsabilidad de mr Handsfree bajo esta garantía son las siguientes:

- Esta garantía está limitada al comprador original del producto y no es transferible a ningún comprador posterior / usuario final.
- Durante el periodo de garantía, la única responsabilidad de mr Handsfree estará limitada a reparar o cambiar, a su elección, cualquier pieza defectuosa del producto si esto es necesario debido al mal funcionamiento o al fallo con un uso y condiciones normales. No se cobrará nada al cliente por las piezas y / o mano de obra de la reparación.
- El producto se tiene que enviar a un centro de reparación autorizado en su paquete original y completo, con cargos de transporte prepagados. Mr Handsfree no asumirá ninguna responsabilidad por pérdida o daños durante el transporte.
- Para conseguir la reparación o el cambio dentro de los términos de esta garantía, el cliente tiene que proporcionar (a) una prueba de compra (p. ej. la factura de compra con la fecha); (b) una especificación por escrito del defecto(s); (c) una dirección de devolución y un número de teléfono.
- Esta garantía no cubre y no es válida con respecto a lo siguiente:
  - (a) Productos que se han sometido a una instalación inadecuada, reparación no autorizada, mantenimiento inadecuado, modificaciones no autorizadas u otras acciones que no son fallos de mr Handsfree; (b) Productos que se han sometido a un uso inadecuado, abuso, negligencia, manipulación y almacenaje inadecuados, un accidente o daño físico; (c) Productos que han estado sometidos al fuego, agua, humedad excesiva, arena, suciedad, cambios de temperatura extremos u otras condiciones que están más allá del control de mr Handsfree; (d) Productos que se han utilizado con accesorios que no están aprobados por mr Handsfree; (e) Productos que tienen el número de serie alterado, borrado o quitado; (f) Productos que se han abierto, alterado, reparado o modificado por parte de cualquier centro de reparaciones no autorizado.
- Están excluidos de cualquier garantía los artículos consumibles que haya que cambiar debido al uso y desgaste normal, como baterías, almohadillas de los auriculares, piezas decorativas y otros accesorios.
- Esta garantía le da unos derechos legales específicos, y también puede tener otros derechos que varían de un país a otro.

## TABELA DE CONTEÚDO

INSTRUÇÕES DE SEGURANÇA .....	2
O QUE INCLUI O MR HANDSFREE BLUE VISION II? .....	2
GERAL .....	2
INICIAR .....	3
INSTALAÇÃO .....	4
EMPARELHAMENTO .....	4
OPERAÇÕES .....	5
PROBLEMAS.....	7
BLUETOOTH® .....	7
DADOS TÉCNICOS.....	7
CUIDADOS E MANUTENÇÃO .....	8
GARANTIA.....	8

## INSTRUÇÕES DE SEGURANÇA

1. Certifique-se que as operações do carkit não influenciarão nunca a sua segurança.
2. Certifique-se que não obstrui o volante ou o sistema de travões ou qualquer outras chaves essenciais de forma a não limitar ou danificar a sua operacionalidade enquanto estiver a instalar o kit. Certifique-se que a abertura do airbag não fica bloqueada ou prejudicada sob qualquer forma.
3. O kit pode somente ser usado numa com uma voltagem operacional de 12-24V com o fio de Terra. A desatenção quanto a este requerimento pode resultar em severos danos para o sistema electrónico do veículo.
4. Certifique-se que o suporte do visor não causará danos corporais no caso de um acidente.

## O QUE INCLUI O MR HANDSFREE BLUE VISION II?

### Ver Ilustração I

- a. Unidade Handsfree com altifalante incorporado
- b. Controlo remoto por infravermelho
- c. Clip para fixação á pala pára-sol
- d. Clip para fixação no Tablier
- e. Fita de duas faces para fixação no Tablier
- f. Acessório Velcro para fixação do controlo remoto
- g. Ficha para conectar o Blue Vision II ao isqueiro do veiculo

## GERAL

### UNIDADE PRINCIPAL

#### Ver Ilustração II

1. Altifalante
2. Botão para aumentar o volume
3. Botão para baixar o volume
4. Botão de Ligar/Desligar
5. Botão de Atender: Atender chamadas / Marcação por Voz / Alternar entre duas chamadas
6. Botão de Rejeitar: Terminar chamadas / Rejeitar chamadas / Remarcar / Terminar a presente chamada e atender a chamada chegar
7. Botão de Emparelhamento/Conexão
8. Microfone incorporado
9. Socket de Carregamento
10. Socket de Serviço
11. Indicador de Estado da Bateria
12. Receptor de Infravermelhos
13. Dois magnetos para fixação dos clips

### CONTROLO REMOTO

#### Ver Ilustração III

14. Botão de Atender: Atender chamadas / Marcação por Voz
15. Botão de Terminar: Terminar chamadas / rejeitar chamadas / Remarcar

16. Botão Mute para chamadas privadas
17. Botão para aumentar o Volume
18. Botão para baixar o Volume
19. Botão de programação da Marcação rápida
20. Teclado Digital
21. Cartão de Memória
22. Protecção do cartão de Memória
23. Isolamento da Bateria
24. Bateria de Lithium-Polymer
25. Capa da Bateria
26. Transmissor de Infravermelhos

## INICIAR

O mr Handsfree Blue Vision II é compatível com a maior parte dos telemóveis com Bluetooth®.

Uma vez que os dispositivos com a tecnologia Bluetooth® comunicam através de ondas de rádio, o seu kit e o seu telemóvel deixaram de necessitar de estar frente a frente para haver comunicação entre estes. Os 2 dispositivos necessitam somente de estar a um máximo de 10 metros um do outro, neste caso já não necessita de retirar o seu telemóvel de dentro do bolso do seu casaco ou da bolsa para efectuar ou receber chamadas via kit mãos livres.

Uma vez que os telefones Bluetooth® produzidos por diferentes fabricantes providenciam várias funcionalidades; algumas funções descritas neste manual o utilizador podem ser diferentes ou podem mesmo não funcionar.

### ACTIVAR O CONTROLO REMOTO

Abriu a capa da Bateria (25) e retirar a película de isolamento (23). → Instalar a bateria (24) de acordo com a polaridade da mesma.  
→ Feche a capa da Bateria (25). Agora o controlo remoto encontra-se pronto a utilizar.

#### Importante!

**O controlo remoto e o Kit encontram-se conectados via um canal de infravermelhos. Por favor, Certifique-se que o transmissor infravermelho (26) e receptor (12) se encontram á vista um do outro e em linha directa durante a operação.**

### CARREGAR A BATERIA

O mr Handsfree Blue Vision II é fornecido com uma Bateria Lithium-Polymer recarregável. A bateria é carregada preliminarmente, mas no entanto recomendamos carregá-la antes de utilizar o kit pela primeira vez.

Ligue o adaptador com Jack no socket de carregamento (9) e a ficha de isqueiro no isqueiro no veículo. → O indicador de estado da Bateria (11) ficará vermelho ou verde assim que o processo de carregamento tiver início. → Se o indicador (11) ficar vermelho, o kit deve carregar (11) até ficar verde. → Desligue o carregador do veículo do carkit.

#### Nota:

- Pode utilizar o Blue Vision II durante o processo de carregamento.
- O Blue Vision II é compatível com os carregadores do telefone Nokia. De forma a que os possa utilizarem casa para carregar o Blue Vision II.

### LIGAR/DESLIGAR O KIT

Para ligar o kit, pressione e agente o botão de Ligar/Desligar (Power) (4) durante 5 segundos até o indicador de estado da Bateria (11) ficar verde ou ouça um som. → O indicador de estado da Bateria (11) começará a piscar. → Para desligar o kit, pressione e agente o botão de Ligar/Desligar (Power) (4) ouvir um som e o indicador de estado da bateria (11) apagar-se-á.

# INSTALAÇÃO

## UNIDADE PRINCIPAL

**Na pala pára-sol:** Fixe a unidade principal na pala pára-sol usando o clip especial (c) e direcione o microfone (8) na direcção da sua boca. Esta é a posição do microfone: o microfone deve ser rodado a partir da unidade principal e o seu término deve apontar directamente para a sua boca.

**No Tablier:** Fixe a unidade principal no Tablier, usando a fita-cola de duas faces e o clip de metal para a fixação ao tablier (d).

Para uma performance óptima, o microfone deve ser colocado a uma distância de 30-50 cm da face do condutor.

### Nota:

Aconselhamos a não mudar a posição do microfone durante uma chamada activa, uma vez que o efeito de eco pode surgir. Se seguir este conselho, terá o modo de conversação com Full Duplex a operar, permitindo-lhe um diálogo confortável sem efeitos de eco.

## CONTROLO REMOTO

Para fixar o controlo remoto no tablier, deve remover o cartão de memória (21) da parte detrás do controlo remoto. Após a remoção deste cartão, pode fixar o controlo remoto ao tablier usando o Velcro (6). Certifique-se que o transmissor de infravermelhos (26) do controlo remoto se encontra direccionado directamente para o receptor de infravermelhos (12) da unidade principal e que ambas as unidades se encontram em linha directa, à vista, sem obstáculos, uma vez que qualquer obstáculo interrompe a comunicação entre os dois dispositivos.

## EMPARELHAMENTO

É necessário que efectue o emparelhamento do Blue Vision II com o seu telemóvel antes de o poder usar.

O seu Blue Vision II pode armazenar informação de emparelhamento até 2 telemóveis Bluetooth®. Quando uma tentativa de emparelhamento é feita, o emparelhamento mais antigo é tirado da memória dando lugar ao novo.

Quando algum dos dispositivos emparelhados se encontra num alcance até 10 metros e o Blue Vision II se encontra ligado, o Blue Vision II iniciará automaticamente a ligação com o último telemóvel a que se ligou. No caso de este telemóvel, não se encontrar disponível, o Blue Vision II efectuará automaticamente uma procura pelo segundo telemóvel emparelhado de forma a poder estabelecer a ligação. O Blue Vision II pode ter somente uma ligação activa.

Certifique-se que o seu telemóvel e o kit se encontram ligados. → Pressione e aguarde o botão de Emparelhamento (7) durante 5 segundos até que ouça um som e que o indicador (11) fique em estado intermitente alternando sucessivamente entre as cores verde e vermelha. O modo de emparelhamento encontra-se agora activado durante 2 minutos (durante estes 2 minutos, o indicador (11) permanecerá no estado intermitente). → Entre no menu do seu telemóvel Bluetooth® e certifique-se que a função Bluetooth® se encontra activada. → Entre no submenu, onde pode efectuar a busca de dispositivos Bluetooth® e inicie a mesma. → O telemóvel captará todos os dispositivos Bluetooth® num raio de 10 metros e dispô-los-á em forma de lista. → Selecciono o Blue Vision II a partir dessa mesma lista. → Insira a palavra passe "0000" para emparelhar e conectar o Blue Vision II ao seu telefone. → O indicador (11) parará de pisar e o "Blue Vision II" surgirá no menu do seu telemóvel onde pode visualizar todos os dispositivos actualmente emparelhados com este.

## CONECÇÃO

Em alguns casos o Blue Vision II pode ser desconectado do seu telemóvel e terá de restabelecer a conexão.

- Se o Blue Vision II tiver sido desligado: Ligue-o através do botão Ligar/Desligar (Power) (4) e a conexão será automaticamente restabelecida.
- Se o telemóvel se desligou: Ligue o seu telemóvel e restaure a conexão via menu do telemóvel.
- Se algum dos dispositivos se encontra fora do alcance (10 metros): Certifique-se que ambos os dispositivos se encontram ao alcance operacional regulamentar e pressione o botão de Conexão (7) uma vez.

## Nota:

Para todos os modelos de telemóvel, é recomendado que configure no menu do seu telemóvel a seguinte permissão de acesso, "Trust" (Confiável) ou "Authorized" (Autorizado) para o Blue Vision II no menu Bluetooth® do seu telemóvel. Por favor, leia o manual do seu telemóvel de forma a conhecer os detalhes de operação.

## DISCONECÇÃO

Pode desconectar o kit do seu telemóvel quando, por exemplo, se quiser utilizar outro dispositivo Bluetooth® com o seu telemóvel. O Blue Vision II pode ser desconectado das seguintes formas:

1. Desligue simplesmente o kit.
2. Desconectando o kit no menu do seu telemóvel.
3. Mova o seu telemóvel para fora do alcance do kit, e poderá usar o dispositivo pretendido.

## OPERAÇÕES

Antes de utilizar o mr Handsfree Blue Vision II certifique-se que:

- O kit e encontra emparelhado e conectado com o seu telemóvel.
- A função Bluetooth® se encontra activada em ambos os dispositivos.
- O kit se encontra ligado e o indicador da bateria (11) se encontra intermitente.

## EFFECTUAR UMA CHAMADA

### Usando o teclado do seu telemóvel

Marque um número no teclado. → Pressione o botão de Marcação de chamada.

### Usando Marcação por voz

Quando não exista nenhuma chamada em progresso, pressione o botão de Atender (5) ou o botão de Atender (14) no controlo remoto uma vez. → Ouvirá um som que lhe indica, que pode dizer o nome referente ao número para que pretende efectuar a chamada (Usualmente conhecido por "Voice tag"(etiqueta de voz)). → Diga a etiqueta de voz (nome). → O telemóvel assimila a etiqueta e marca o número pretendido.

Pode igualmente activar a Marcação por voz através do seu telemóvel. Para mais detalhes de como efectuar a marcação por voz a partir do seu telemóvel, deverá consultar o manual do seu telemóvel. Por favor tome em consideração que a função de marcação por voz somente estará activa se o seu telemóvel suportar esta função.

### Usando o teclado digital do controlo remoto

Pressione os botões do teclado para compor o número (para "+", deve pressionar e aguentar pressionado o \* botão até ouvir uma confirmação). → Pressione o botão de Atender (14) no controlo remoto para iniciar a chamada.

### Usando a marcação rápida

A marcação rápida permite-lhe configurar um único dígito para os números de telefone do seu telemóvel que usualmente utiliza mais. Tem de somente seleccionar o número de marcação rápida para marcar o número de telefone correspondente. O Blue Vision II pode armazenar até 10 números de marcação rápida.

#### Programando os números de marcação rápida

Pressione e deixe pressionado o botão "OK" (19) no controlo remoto durante 2 segundos até que ouça um duplo bip. → Pressione um botão de "0" a "9" para seleccionar a localização em memória onde ficará alojado o número de telefone. Ouvirá um duplo bip. → Insira o número de telefone usando o teclado digital. → Pressione o botão "OK" (19) para confirmar o número ou pressione o botão de Rejeitar (15) se não pretender salvar esse número. Ouvirá um duplo bip. → O número de telefone que inseriu corresponde agora na marcação rápida ao número de telefone que inseriu.



**Nota:**

- Pode escrever os nomes para os números de marcação rápida na parte detrás do controlo remoto onde o correspondente cartão de memória (21) é fornecido.
- Se quiser substituir um número de telefone programado na memória de Marcação rápida, deve seguir os mesmos passos tal como descrito acima de forma a substituir o número de telefone existente pelo novo.

**Efectuar uma chamada**

Seleccione o número de marcação rápida ao qual está associado o número de telefone que pretende marcar. → Pressione e deixe pressionado o botão digital correspondente no controlo remoto durante 2 segundos. → Ouvirá um triplo bip e o número de telefone correspondente será marcado.

**Apagar todos os números de marcação rápida**

Desligue a alimentação do Blue Vision II usando para isso o botão Ligar/Desligar (4). → Pressione e mantenha pressionado o botão Rejeitar (6) da unidade principal e pressione o botão Ligar/Desligar (4) durante 1 segundo enquanto pressiona o botão Rejeitar (6). → Ouvirá um som de confirmação o qual indica que a lista de armazenamento dos números de marcação rápida foi apagada. → O seu Blue Vision II encontra-se agora na posição Ligado.

**Remarcar o último número marcado**

Pressione o botão Rejeitar (6) ou o botão Rejeitar (15) no controlo remoto enquanto nenhuma chamada se encontra em progresso. → Ouvirá um duplo bip e o telemóvel marcará o último número marcado.

**TERMINAR UMA CHAMADA**

Pressione o botão Rejeitar (6) ou o botão Rejeitar (15) no controlo remoto para terminar a chamada como seu telemóvel.

**ATENDER UMA CHAMADA**

Pressione o botão de atender (5) ou o botão de Atender (14) no controlo remoto.

**RESPOSTA AUTOMÁTICA**

Se a Função de resposta automática se encontra configurada no seu telemóvel, o telemóvel atenderá automaticamente a chamada após alguns toques.

**REJEITAR UMA CHAMADA**

Pressione o botão Rejeitar (6) ou o botão Rejeitar (15) no controlo remoto.

**SEGUNDA CHAMADA A CHEGAR**

Se chegar uma segunda chamada durante a conversação, ouvirá o som de bip e disporá das seguintes duas opções:

1. Pressione o botão de Atender (5) ou o botão de Atender (14) no controlo remoto para receber a segunda chamada e colocar a primeira chamada em modo de espera. → Pode pressionar o botão Atender (5) ou o botão de Atender (14) no controlo remoto outra vez para alternar entre as duas chamadas.
2. Pressione o botão de Rejeitar (6) ou botão de Rejeitar (15) no Controlo remoto para receber a segunda chamada e rejeitar a corrente chamada.

**Nota:**

Alguns telemóveis não suportam esta função via Bluetooth® ou requerem confirmação no menu do telemóvel.

**AJUSTAR O VOLUME DO ALTIFALANTE DO KIT**

Quando o seu telemóvel e o kit se acabam de emparelhar, o volume é configurado automaticamente no nível médio. Pressione o botão (Volume Up) "Levantar" (2 ou 17) para aumentar o nível de volume ou o botão (Down button) "Baixar" (3 ou 18) para diminuir o volume. Quando o nível de volume máximo ou mínimo do altifalante do kit é alcançado, ouvirá um som bip alto.

## CHAMADA PRIVADA (ALTERNANDO AS CHAMADAS ENTRE O KIT E O TELEMÓVEL)

Para mudar a chamada do kit para o telemóvel, pressione o botão de Mute (16) no controlo remoto. → Ouvirá um som de bip duplo e a chamada será transferida para o seu telemóvel. → Para mudar a chamada corrente do telemóvel para o kit pressione o botão Mute (16) outra vez ou seleccione o item no menu do seu telemóvel (dependendo do seu telemóvel).

## COMANDOS DTMF

Se necessitar de marcar o comando DTMF durante uma chamada, pressione no teclado digital (20) do controlo remoto. → Pressione o botão de Atender (14) no controlo remoto para enviar o comando DTMF.

## MODO HANDSFREE / HEADSET

Alguns telemóveis requerem operação Bluetooth® no modo de Headset.

Para activar o modo Headset, desligue o Blue Vision II. → Pressione e deixe pressionado o botão Atender (5) e ligue novamente. Ouvirá uma melodia. → Desconecte o seu telemóvel e o Blue Vision II como descrito no capítulo “Desconectar”. → Restaure a conexão Bluetooth® como descrita no capítulo “Conectar”. → Desde agora o seu Blue Vision II trabalhará no modo Headset com o seu telemóvel. → Para restaurar o modo de operação Mãos Livres, deve repetir novamente este procedimento.

## PROBLEMAS

Problema	Razão	Eliminação
O dispositivo não carrega a partir da tomada de isqueiro. O LED Verde da ficha de isqueiro encontra-se desligado.	<ul style="list-style-type: none"><li>• O Jack do isqueiro encontra-se danificado.</li><li>• Não existe contacto entre o adaptador de corrente e o Jack da ficha de isqueiro.</li></ul>	<ul style="list-style-type: none"><li>• Verifique o circuito eléctrico do veículo.</li><li>• Verifique a conexão na ficha de isqueiro.</li></ul>
O dispositivo não se liga quando o botão de Ligar/Desligar é pressionado por 5 segundos.	A bateria encontra-se completamente descarregada.	<ul style="list-style-type: none"><li>• Conecte o adaptador de corrente carregue a bateria.</li><li>• Contacte o centro de serviço.</li></ul>

## BLUETOOTH®

A marca *Bluetooth*® e logótipos são propriedade da Bluetooth SIG, Inc. e qualquer uso destas marcas pela TE-Group NV encontram-se sob licença. Outras marcas e nomes comerciais são pertença dos seus respectivos proprietários.

## DADOS TÉCNICOS

Parâmetros	Valores
Tempo de Carregamento	<3 Horas
Voltagem do carregador de isqueiro para o veículo	10 – 30 V
Tempo em Standby	Até 300 horas
Tempo em Conversação	Até 24 horas

## CUIDADOS E MANUTENÇÃO

O Blue Vision II é um produto de superior design e deve ser tratado e manuseado com cuidado. As sugestões abaixo ajudá-lo-ão a cumprir qualquer obrigação explícita na garantia e tirar o máximo de partido desde produto por muitos anos.

- Mantenha o kit seco. Precipitação, humidade e todos os tipos de líquidos ou misturas podem conter minerais que actuarão de forma corrosiva nos circuitos electrónicos do dispositivo.
- Não utilize ou armazene o kit em locais quentes. As altas temperaturas podem encurtar a vida dos dispositivos electrónicos e corroer ou derreter certos plásticos.
- Não armazene o kit em locais frios. Quando posteriormente volta a reintegrá-lo (à sua temperatura normal), pode reter humidade no seu interior, a qual pode danificar os circuitos eléctricos.
- Não tente abrir o kit. A mão-de-obra não especializada pode danificar irremediavelmente o dispositivo.
- Não utilize químicos corrosivos, solventes de limpeza, ou detergentes fortes para limpar o dispositivo.

Se o dispositivo não estiver a trabalhar dentro da sua normalidade e correctamente, leve-o ao serviço técnico mais próximo. O pessoal especializado, saberá dar-lhe a assistência necessária e se necessário tomar as devidas providências para que o seu dispositivo volte a funcionar correctamente.

***A Mr Handsfree deseja-lhe uma boa e segura viagem!***

## GARANTIA

A marca Mr Handsfree é propriedade da TE-Group NV.

A marca mr Handsfree rege-se por produtos superiores de alta qualidade e serviços de venda altamente especializados. Sendo por esta razão que a mr Handsfree garante este produto contra todos os defeitos de material e mão-de-obra durante um período de **três (3) anos** desde a data de compra do produto.

As condições desta garantia e a extensão de responsabilidade da mr Handsfree sob esta garantia são as seguintes:

- Esta garantia é limitada ao comprador original do produto não sendo transferível para nenhum subsequente comprador/utilizador final.
- Durante o período de garantia, a responsabilidade da mr Handsfree será limitada a reparar ou trocar, sob sua opção, quaisquer partes defeituosas do produto se tal for necessário, devido a mal funcionamento ou falha debaixo do normal uso e das condições. Não serão efectuadas quaisquer débitos ao cliente pelas partes e/ou trabalho de reparação.
- O produto deve ser enviado para um centro de serviço autorizado na sua embalagem original e completa, com os portes de transporte pré-pagos. A Mr Handsfree não assume a responsabilidade por quaisquer perdas ou danos durante o transporte do dispositivo.
- Para obter reparação ou substituição dentro dos termos desta garantia, o cliente deve providenciar (a) uma prova de compra (ex.: factura detalhada com data de compra); (b) uma especificação escrita do (s) defeito (s); (c) um endereço de devolução e número de telefone.
- Esta garantia não cobre ou cessará imediatamente se observadas as seguintes situações:
  - (a) Produtos que tenham sujeitos a uma instalação imprópria, reparação não autorizada, manutenção imprópria, modificações não autorizadas ou outros quaisquer actos os quais não são culpa ou responsabilidade da mr Handsfree;
  - (b) Produtos os quais tenham sido sujeitos a mau utilização, abuso, negligência, manuseamento impróprio e mau armazenamento ou armazenamento indevido, um acidente ou dano físico;
  - (c) Produtos que tenham sido sujeitos a fogo, água, humidade excessiva, areia, lixo, alterações extremas de temperatura ou outras condições as quais se encontram fora do controle da mr Handsfree;
  - (d) Produtos os quais tenham sido usados com acessórios de marca não inerentes e comercializados, e aprovados pela Handsfree;
  - (e) Produtos que tenham o número de série alterado, deformado ou removido;
  - (f) Produtos que tenham sido abertos, alterados, reparados ou modificados por qualquer centro de serviço não autorizado.
- Excluídos de qualquer garantia encontram-se os itens consumíveis que possam necessitar de ser substituídos devido ao normal uso, tais como as baterias, almofadas para auriculares, partes decorativas e outros acessórios.
- Está garantia dá-lhe a si especificamente direitos legais, e pode igualmente ter outros direitos, dependendo do país para país.

## ΠΙΝΑΚΑΣ ΠΕΡΙΕΧΟΜΕΝΩΝ

ΟΔΗΓΙΕΣ ΑΣΦΑΛΕΙΑΣ .....	2
ΤΙ ΠΕΡΙΛΑΜΒΑΝΕΙ ΤΟ MR HANDSFREE BLUE VISION II.....	2
ΕΠΙΣΚΟΠΗΣΗ .....	2
ΞΕΚΙΝΩΝΤΑΣ .....	3
ΕΓΚΑΤΑΣΤΑΣΗ .....	4
ΑΝΤΙΣΤΟΙΧΗΣΗ .....	4
ΛΕΙΤΟΥΡΓΙΑ .....	5
ΕΠΙΛΥΣΗ ΠΡΟΒΛΗΜΑΤΩΝ .....	7
BLUETOOTH® .....	7
ΤΕΧΝΙΚΑ ΣΤΟΙΧΕΙΑ .....	8
ΦΡΟΝΤΙΔΑ ΚΑΙ ΣΥΝΤΗΡΗΣΗ .....	8
ΕΓΓΥΗΣΗ .....	8

## ΟΔΗΓΙΕΣ ΑΣΦΑΛΕΙΑΣ

1. Βεβαιωθείτε ότι η λειτουργία του κιτ αυτοκινήτου δεν θα επηρεάσει ποτέ την ασφάλειά σας.
2. Κατά την εγκατάσταση του κιτ αυτοκινήτου βεβαιωθείτε ότι δεν επηρεάζεται το σύστημα κατεύθυνσης και πέδησης του αυτοκινήτου ή άλλο σημαντικό σύστημα για τη σωστή λειτουργία του αυτοκινήτου. Βεβαιωθείτε ότι δεν μπλοκάρονται ή εμποδίζονται με οποιοδήποτε τρόπο οι αερόσακοι του αυτοκινήτου.
3. Το κιτ αυτοκινήτου μπορεί να χρησιμοποιηθεί μόνο με τάση λειτουργίας 12-24V με γειωμένο τον αρνητικό πόλο. Μη τήρηση αυτής της απαίτησης μπορεί να προκαλέσει ζημιά στο σύστημα ηλεκτρονικών του αυτοκινήτου.
4. Βεβαιωθείτε ότι η τοποθέτηση του σιαδίου δεν μπορεί να προκαλέσει τραυματισμό σε περίπτωση ατυχήματος.

## ΤΙ ΠΕΡΙΛΑΜΒΑΝΕΙ ΤΟ MR HANDSFREE BLUE VISION II

### Δείτε εικόνα I

- a. Μονάδα ανοιχτής συνομιλίας με ενσωματωμένο ηχείο
- b. Τηλεχειριστήριο με υπέρυθρες
- c. Κλιπ για τη στερέωση του σιαδίου
- d. Κλιπ για στερέωση στο ταμπλό
- e. Ταινία δύο πλευρών κόλλησης για στερέωση στο ταμπλό
- f. Εξάρτημα VELCRO για στερέωση του τηλεχειριστηρίου
- g. Βύσμα για αναπτήρα για τη σύνδεση του Blue Vision II με την τροφοδοσία του αυτοκινήτου μέσω του αναπτήρα του αυτοκινήτου

## ΕΠΙΣΚΟΠΗΣΗ

### ΚΥΡΙΑ ΜΟΝΑΔΑ

#### Δείτε εικόνα II

1. Ηχείο
2. Πλήκτρο αύξησης έντασης
3. Πλήκτρο μείωσης έντασης
4. Πλήκτρο ενεργοποίησης /απενεργοποίησης (On/Off)
5. Πλήκτρο συνομιλίας Απάντηση κλήσεων / Φωνητική κλήση / Εναλλαγή μεταξύ δύο κλήσεων
6. Πλήκτρο απόρριψης: Τερματισμός κλήσεων / Απόρριψη κλήσεων / Επανάκληση / Τερματισμός τρέχουσας κλήσης και λήψη της 2ης εισερχόμενης κλήσης
7. Πλήκτρο ζεύξης/σύνδεσης
8. Ενσωματωμένο μικρόφωνο
9. Υποδοχή φόρτισης
10. Υποδοχή για σέρβις
11. Ένδειξη κατάστασης μπαταρίας
12. Δέκτης υπέρυθρων
13. Δύο μαγνήτες για στερέωση των κλιπ

### ΤΗΛΕΧΕΙΡΙΣΤΗΡΙΟ

#### Δείτε εικόνα III

14. Πλήκτρο συνομιλίας Απάντηση κλήσεων / Φωνητική κλήση
15. Πλήκτρο απόρριψης: Τερματισμός κλήσεων / Απόρριψη κλήσεων / Επανάκληση

16. Πλήκτρο σίγασης για προσωπικές κλήσεις
17. Πλήκτρο αύξησης έντασης
18. Πλήκτρο μείωσης έντασης
19. Προγραμματισμένο πλήκτρο ταχείας κλήσης
20. Πληκτρολόγιο
21. Κάρτα υπενθύμισης
22. Προστατευτικό φίλμ της κάρτας υπενθύμισης
23. Αφαιρούμενο μονωτικό φίλμ για προστασία της μπαταρίας
24. Μπαταρία πολυμερούς λιθίου
25. Κάλυμμα μπαταρίας
26. Πομπός υπέρυθρων

## ΞΕΚΙΝΩΝΤΑΣ

Το mr Handsfree Blue Vision II είναι συμβατό με τα περισσότερα κινητά τηλέφωνα με δυνατότητα Bluetooth®.

Καθώς οι συσκευές που ενσωματώνουν την τεχνολογία Bluetooth® επικοινωνούν μέσω ραδιοκυμάτων, το κιτ αυτοκινήτου και το κινητό σας τηλέφωνο δε χρειάζεται να είναι σε άμεση οπτική επαφή. Το μόνο που χρειάζεται είναι οι δύο συσκευές να βρίσκονται σε απόσταση μεταξύ τους το πολύ 10 μέτρων, έτσι ώστε να μη χρειάζεται να βγάξετε το τηλέφωνο από τη τσέπη ή τη τσάντα σας για να πραγματοποιήσετε ή να απαντήσετε σε κλήσεις.

Επειδή τα τηλέφωνα Bluetooth® που παράγονται από διαφορετικούς κατασκευαστές παρέχουν διάφορες λειτουργίες, μερικές λειτουργίες που περιγράφονται στις παρούσες οδηγίες χρήσης μπορεί να διαφέρουν ή να μην είναι διαθέσιμες.

### ΕΝΕΡΓΟΠΟΙΗΣΗ ΤΟΥ ΤΗΛΕΧΕΙΡΙΣΤΗΡΙΟΥ

Ανοίξτε το κάλυμμα της μπαταρίας (25) και αφαιρέστε το μονωτικό φίλμ (23). → Τοποθετήστε την μπαταρία (24) τηρώντας την πολικότητά. → Κλείστε το κάλυμμα της μπαταρίας (25). Τώρα, το τηλεχειριστήριο είναι έτοιμο για χρήση.

#### Σημαντικό!

**Το τηλεχειριστήριο και το κιτ αυτοκινήτου συνδέονται μέσω διαύλου υπέρυθρων. Παρακαλούμε βεβαιωθείτε ότι ο πομπός υπέρυθρων (26) και ο δέκτης (12) είναι στραμμένοι ο ένας προς τον άλλον, κατά τη διάρκεια της λειτουργίας.**

### ΦΟΡΤΙΣΗ ΜΠΑΤΑΡΙΩΝ

Το mr Handsfree Blue Vision II συνοδεύεται από μία επαναφορτιζόμενη μπαταρία πολυμερούς λιθίου. Η μπαταρία είναι αρχικά φορτισμένη, παρ' όλα αυτά συνιστούμε να τη φορτίσετε προτού χρησιμοποιήσετε το κιτ αυτοκινήτου για πρώτη φορά.

Εισάγετε το βύσμα του προσαρμογέα στην υποδοχή φόρτισης (9) και το αρσενικό βύσμα στον αναπτήρα. → Ο δέκτης κατάστασης μπαταρίας (11) θα γίνει κόκκινος ή πράσινος όταν αρχίσει η διαδικασία φόρτισης. → Εάν ο δέκτης (11) γίνει κόκκινος, το κιτ αυτοκινήτου θα πρέπει να φορτίσει μέχρι ο δέκτης (11) να γίνει πράσινος. → Αφαιρέστε το φορτιστή του οχήματος από το κιτ αυτοκινήτου.

#### Σημείωση:

- Μπορείτε να χρησιμοποιήσετε το Blue Vision II κατά τη διάρκεια της διαδικασίας φόρτισης.
- Το Blue Vision II είναι συμβατό με φορτιστές ταξιδιού κινητών τηλεφώνων Nokia. Συνεπώς, μπορείτε να τους χρησιμοποιήσετε για φόρτιση του Blue Vision II στο σπίτι.

### ΕΝΕΡΓΟΠΟΙΗΣΗ / ΑΠΕΝΕΡΓΟΠΟΙΗΣΗ ΤΟΥ ΚΙΤ ΑΥΤΟΚΙΝΗΤΟΥ

Για να ενεργοποιήσετε το κιτ αυτοκινήτου, πιέστε και κρατήστε πατημένο το πλήκτρο ενεργοποίησης / απενεργοποίησης (4) για 5 δευτερόλεπτα, μέχρι ο δέκτης κατάστασης (11) να γίνει πράσινος και να ακούσετε έναν τόνο μελωδίας. → Ο δέκτης κατάστασης μπαταρίας (11) θα αρχίσει να αναβοσβήνει. → Για να απενεργοποιήσετε το κιτ αυτοκινήτου, πιέστε και κρατήστε πατημένο το πλήκτρο Ενεργοποίησης / απενεργοποίησης (4) μέχρι να ακούσετε έναν τόνο μελωδίας και ο δέκτης κατάστασης μπαταρίας (11) θα σβήσει.

# ΕΓΚΑΤΑΣΤΑΣΗ

## ΚΥΡΙΑ ΜΟΝΑΔΑ

**Στο σκιάδιο:** Στερεώστε την κύρια μονάδα στο σκιάδιο χρησιμοποιώντας το ειδικό κλιπ 9 (c) και στρέψτε το μικρόφωνο (8) προς το στόμα σας. Αυτή είναι η βασική θέση λειτουργίας του μικροφώνου: το μικρόφωνο πρέπει να περιστρέφεται από την κύρια μονάδα και το άκρο του πρέπει να κατευθύνεται προς το στόμα σας.

**Στο ταμπλό:** Στερεώστε τη βασική μονάδα στο ταμπλό χρησιμοποιώντας την ταινία διπλής όψης και το επίπεδο μεταλλικό κλιπ για στερέωση στο ταμπλό (d).

Για βέλτιστη απόδοση, το μικρόφωνο πρέπει να βρίσκεται σε απόσταση 30-50cm από το στόμα του οδηγού.

### Σημείωση:

Συνιστούμε να μην αλλάξετε τη θέση του μικροφώνου κατά τη διάρκεια μίας κλήσης, καθώς μπορεί να παρατηρηθούν φαινόμενα ηχούς. Εάν ακολουθήσετε αυτή τη συμβουλή, θα απολαύσετε άνετη αμφίδρομη επικοινωνία κατά τη διάρκεια των συνομιλιών σας.

## ΤΗΛΕΧΕΙΡΙΣΤΗΡΙΟ

Για να στερεώσετε το τηλεχειριστήριο στο ταμπλό, πρέπει να αφαιρέσετε την κάρτα υπενθύμισης (21) από το πίσω μέρος του τηλεχειριστηρίου. Μόλις αφαιρεθεί η κάρτα, μπορείτε να στερεώσετε το τηλεχειριστήριο στο ταμπλό, χρησιμοποιώντας το Velcro (6). Βεβαιωθείτε ότι ο πομπός υπερύθρων (26) του τηλεχειριστηρίου είναι στραμμένος προς το δέκτη υπερύθρων (12) της κύριας μονάδας και ότι και οι δύο μονάδες βρίσκονται σε οπτική επαφή.

# ΑΝΤΙΣΤΟΙΧΗΣΗ

Χρειάζεται να αντιστοιχίσετε το Blue Vision II με το κινητό σας τηλέφωνό πριν το χρησιμοποιήσετε.

Το Blue Vision II μπορεί να αποθηκεύσει πληροφορίες αντιστοίχισης μέχρι και για 2 διαφορετικά τηλέφωνα Bluetooth®. Όταν γίνει απόπειρα αντιστοίχισης περισσότερων από 2 συσκευών, η συσκευή που έχει αντιστοιχιστεί παλαιότερα απομακρύνεται από τη μνήμη. Όταν οποιαδήποτε από τις συσκευές που έχουν αντιστοιχιστεί βρίσκεται μέσα στο εύρος των 10 μέτρων και το Blue Vision II ενεργοποιηθεί, το Blue Vision II θα πραγματοποιήσει αυτόματα μια σύνδεση με το τελευταίο κινητό τηλέφωνο με το οποίο συνδέθηκε. Σε περίπτωση που αυτό το τηλέφωνο δεν είναι διαθέσιμο, το Blue Vision II θα αναζητήσει αυτόματα το δεύτερο αντιστοιχισμένο τηλέφωνο για σύνδεση. Το Blue Vision II μπορεί να διαθέτει μία μόνο ενεργή σύνδεση.

Βεβαιωθείτε ότι το τηλέφωνό σας και το kit αυτοκινήτου είναι ενεργοποιημένα. → Πιέστε και κρατήστε πατημένο για 5 δευτερόλεπτα το πλήκτρο Ζεύξης (7) μέχρι να ακούσετε έναν τόνο μελωδίας και ο δείκτης (11) να αναβοσβήνει εναλλάξ σε κόκκινο και πράσινο χρώμα. Η λειτουργία ζεύξης έχει ενεργοποιηθεί για δύο λεπτά (κατά τη διάρκεια αυτών των 2 λεπτών, ο δείκτης (11) θα συνεχίζει να αναβοσβήνει). → Μπείτε στο μενού του τηλεφώνου Bluetooth® και βεβαιωθείτε ότι η λειτουργία Bluetooth® είναι ενεργοποιημένη. → Μπείτε στο υπομενού όπου μπορείτε να ρυθμίσετε το τηλέφωνο ώστε να αναζητεί συσκευές Bluetooth® και ξεκινήστε την αναζήτηση. → Το τηλέφωνο θα αναζητήσει συσκευές Bluetooth® που να βρίσκονται σε μία απόσταση 10 μέτρων και τις εμφανίζει σε μία λίστα. → Επιλέξτε τη Blue Vision II από τη λίστα. → Πληκτρολογήστε τον κωδικό "0000" για να αντιστοιχίσετε και να συνδέσετε το Blue Vision II με το τηλέφωνό σας. → Ο δείκτης (11) θα σταματήσει να αναβοσβήνει και η ένδειξη "Blue Vision II" θα εμφανιστεί στο μενού του τηλεφώνου όπου θα μπορείτε να δείτε στις συσκευές Bluetooth® που είναι τη συγκεκριμένη στιγμή σε ζεύξη με το τηλέφωνό σας.

## ΣΥΝΔΕΣΗ

Σε ορισμένες περιπτώσεις, το Blue Vision II μπορεί να αποσυνδεθεί από το τηλέφωνό σας και θα πρέπει να αποκαταστήσετε τη σύνδεση.

- Εάν το Blue Vision II έχει απενεργοποιηθεί: Ενεργοποιήστε το και η σύνδεση θα αποκατασταθεί αυτόματα.
- Εάν το κινητό σας τηλέφωνο έχει απενεργοποιηθεί: Ενεργοποιήστε το κινητό σας τηλέφωνο και αποκαταστήστε τη σύνδεση μέσω του μενού του τηλεφώνου.
- Εάν μία από τις δύο συσκευές βρίσκεται εκτός εμβέλειας: Βεβαιωθείτε ότι και οι δύο συσκευές βρίσκονται εντός εμβέλειας λειτουργίας και πιέστε το πλήκτρο Σύνδεσης (7) μία φορά.

## Σημείωση:

Για όλους τους τύπους κινητού τηλεφώνου, συνιστάται να επιλέξετε "Trust" ή "Authorized" για το Blue Vision II στο μενού Bluetooth® του κινητού σας. Παρακαλούμε ανατρέξτε στο εγχειρίδιο του κινητού σας τηλεφώνου για πιο λεπτομερείς πληροφορίες.

## ΑΠΟΣΥΝΔΕΣΗ ΤΟΥ ΚΙΤ ΑΥΤΟΚΙΝΗΤΟΥ ΑΠΟ ΤΟ ΚΙΝΗΤΟ ΤΗΛΕΦΩΝΟ

Μπορείτε να αποσυνδέσετε το κιτ αυτοκινήτου από το τηλέφωνό σας όταν, για παράδειγμα, θέλετε να χρησιμοποιήσετε μία άλλη συσκευή Bluetooth® με το τηλέφωνό σας. Το Blue Vision II μπορεί να αποσυνδεθεί με τους εξής τρόπους:

1. Απενεργοποιήστε το κιτ αυτοκινήτου.
2. Αποσυνδέστε το κιτ αυτοκινήτου από το μενού του τηλεφώνου.
3. Μετακινήστε το τηλέφωνο σε απόσταση μεγαλύτερη των 10 μέτρων από το κιτ αυτοκινήτου.

## ΛΕΙΤΟΥΡΓΙΑ

Προτού χρησιμοποιήσετε το mr Handsfree Blue Vision II βεβαιωθείτε ότι:

- Το κιτ αυτοκινήτου έχει αντιστοιχιστεί και συνδεθεί με το τηλέφωνό σας.
- Η λειτουργία Bluetooth® του τηλεφώνου έχει ενεργοποιηθεί. Δείτε τις οδηγίες χρήσης του τηλεφώνου.
- Το κιτ αυτοκινήτου έχει ενεργοποιηθεί και η ένδειξη κατάστασης μπαταρίας αναβοσβήνει.

## ΠΡΑΓΜΑΤΟΠΟΙΗΣΗ ΚΛΗΣΗΣ

### Χρήση του πληκτρολογίου του κινητού σας

Καλέστε έναν αριθμό από το πληκτρολόγιο. → Πιέστε το πλήκτρο ομιλίας του τηλεφώνου.

### Χρήση φωνητικής κλήσης

Όταν δεν υπάρχουν κλήσεις σε εξέλιξη, πιέστε το πλήκτρο Ομιλίας (5) ή το πλήκτρο Ομιλίας (14) στο τηλεχειριστήριο, μια φορά. → Θα ακούσετε έναν τόνο που υποδηλώνει ότι μπορείτε να πείτε το επιθυμητό όνομα ("φωνητική ετικέτα"). → Πείτε τη φωνητική ετικέτα. → Το τηλέφωνο αναπαράγει τη φωνητική ετικέτα και καλεί τον αντίστοιχο αριθμό τηλεφώνου.

Μπορείτε επίσης να ενεργοποιήσετε τη φωνητική κλήση με το τηλέφωνό σας. Για λεπτομέρειες σχετικά με τη φωνητική κλήση, παρακαλούμε ανατρέξτε στις οδηγίες χρήσης του τηλεφώνου σας. Παρακαλούμε σημειώστε ότι η λειτουργία φωνητικής κλήσης είναι διαθέσιμη μόνο εφόσον υποστηρίζεται από το κινητό σας τηλέφωνο.

### Χρησιμοποιώντας το ψηφιακό πληκτρολόγιο στο τηλεχειριστήριο

Πιέστε τα πλήκτρα του πληκτρολογίου για να συντάξετε τον αριθμό (για το "+" πρέπει να πιέσετε και να κρατήσετε πατημένο το πλήκτρο \* μέχρι να ακουστεί ένας ήχος επιβεβαίωσης. → Πιέστε το πλήκτρο Ομιλίας (14) στο τηλεχειριστήριο για να ξεκινήσετε την κλήση.

### Χρήση της ταχείας κλήσης

Η ταχεία κλήση σας επιτρέπει να ορίσετε έναν μονοψήφιο αριθμό για τους αριθμούς που καλείτε συχνά. Χρειάζεται μόνο να επιλέξετε τον αριθμό ταχείας κλήσης για να καλέσετε τον αντίστοιχο αριθμό τηλεφώνου. Το Blue Vision II μπορεί να αποθηκεύσει μέχρι 10 αριθμούς ταχείας κλήσης.

### Προγραμματισμός αριθμών ταχείας κλήσης

Πιέστε και κρατήστε πατημένο το πλήκτρο "OK" (19) στο τηλεχειριστήριο για 2 δευτερόλεπτα μέχρι να ακούσετε ένα διπλό "μπιπ". → Πιέστε ένα πλήκτρο από το "0" μέχρι το "9" για να επιλέξετε τη θέση μνήμης όπου επιθυμείτε να αποθηκεύσετε τον αριθμό. Θα ακούσετε ένα διπλό "μπιπ". → Εισάγετε τον αριθμό τηλεφώνου χρησιμοποιώντας το ψηφιακό πληκτρολόγιο. → Πιέστε το πλήκτρο "OK" (19) για να επιβεβαιώσετε τον αριθμό ή πιέστε το πλήκτρο Απόρριψης (15) εάν δεν επιθυμείτε να αποθηκεύσετε τον αριθμό. Θα ακούσετε ένα διπλό "μπιπ". → Ο αριθμός τηλεφώνου που έχετε εισάγει θα αντιστοιχεί στο εξής με τον επιλεγμένο αριθμό ταχείας κλήσης.



### **Σημείωση:**

- Μπορείτε να γράψετε τα ονόματα για τους αποθηκευμένους αριθμούς ταχείας κλήσης στο πίσω μέρος του τηλεχειριστηρίου, εκεί που βρίσκεται η σχετική κάρτα υπενθύμισης (21).
- Εάν θέλετε να αντικαταστήσετε έναν προγραμματισμένο αριθμό τηλεφώνου στη μνήμη ταχείας κλήσης, θα πρέπει να ακολουθήσετε τα ίδια βήματα με αυτά που περιγράφονται παραπάνω ώστε να αντικαταστήσετε τον τηλεφωνικό αριθμό με έναν καινούργιο.

### **Διαγραφή όλων των αριθμών ταχείας κλήσης**

Είναι δυνατόν να διαγράψετε ΟΛΟΥΣ τους αριθμούς ταχείας κλήσης που έχετε αποθηκεύσει στο τηλεχειριστήριο του Blue Vision II. Απενεργοποιήστε το Blue Vision II χρησιμοποιώντας το πλήκτρο ON/OFF (4). → Πιέστε και κρατήστε πατημένο το πλήκτρο Απόρριψης (6) στην κύρια μονάδα και πιέστε το πλήκτρο ON/OFF (4) για 1 δευτερόλεπτο, ενώ πιέζετε το πλήκτρο Απόρριψης (6). → Θα ακουστεί ένας ήχος επιβεβαίωσης ότι η λίστα ταχείας κλήσης έχει διαγραφεί. → Το Blue Vision βρίσκεται τώρα σε θέση ON.

### **Πραγματοποίηση μιας κλήσης**

Επιλέξτε τον αριθμό ταχείας κλήσης στον οποίο έχετε αντιστοιχίσει τον αριθμό που θέλετε να καλέσετε. → Πιέστε και κρατήστε πατημένο το αντίστοιχο πλήκτρο στο τηλεχειριστήριο, για 2 δευτερόλεπτα. → Θα ακούσετε ένα τριπλό “μπιπ” και ο αντίστοιχος αριθμός τηλεφώνου, θα κληθεί.

### **Επανάκληση του τελευταίου αριθμού**

Πιέστε το πλήκτρο Απόρριψης (6) ή το πλήκτρο Απόρριψης (15) στο τηλεχειριστήριο, ενώ δεν υπάρχει κλήση σε εξέλιξη. → Θα ακούσετε ένα διπλό “μπιπ” και το τηλέφωνο θα καλέσει τον τελευταίο κληθέντα αριθμό.

### **ΤΕΡΜΑΤΙΣΜΟΣ ΚΛΗΣΗΣ**

Πιέστε το πλήκτρο Απόρριψης (6) ή το πλήκτρο Απόρριψης (15) στο τηλεχειριστήριο για να τερματίσετε την κλήση με το κινητό σας τηλέφωνο.

### **ΑΠΑΝΤΗΣΗ ΚΛΗΣΗΣ**

Πιέστε το πλήκτρο Ομιλίας (5) ή το πλήκτρο Ομιλίας (14) στο τηλεχειριστήριο.

### **ΑΥΤΟΜΑΤΗ ΑΠΑΝΤΗΣΗ**

Εάν η λειτουργία αυτόματης απάντησης έχει ρυθμιστεί στο τηλέφωνό σας, το τηλέφωνο απαντά αυτόματα στις εισερχόμενες κλήσεις μετά από μερικά κουδούνισματα.

### **ΑΠΟΡΡΙΨΗ ΚΛΗΣΗΣ**

Πιέστε το πλήκτρο Απόρριψης (6) ή το πλήκτρο Απόρριψης (15) στο τηλεχειριστήριο.

### **ΔΕΥΤΕΡΗ ΕΙΣΕΡΧΟΜΕΝΗ ΚΛΗΣΗ**

Εάν λάβετε μια δεύτερη εισερχόμενη κλήση κατά τη διάρκεια μιας συνομιλίας, θα ακούσετε έναν ήχο “μπιπ” και θα έχετε τις δύο παρακάτω επιλογές:

1. Πιέστε το πλήκτρο Ομιλίας (5) ή το πλήκτρο Ομιλίας (14) στο τηλεχειριστήριο για να λάβετε τη δεύτερη κλήση και να θέσετε την τρέχουσα σε κράτηση. → Μπορείτε να πιέσετε το πλήκτρο Ομιλίας (5) ή το πλήκτρο Ομιλίας (14) στο τηλεχειριστήριο ξανά για να μετακινηθείτε ανάμεσα στις δύο κλήσεις.
2. Πιέστε το πλήκτρο Απόρριψης (6) ή το πλήκτρο Απόρριψης (15) στο τηλεχειριστήριο για να λάβετε τη δεύτερη κλήση και να απορρίψετε την τρέχουσα.

## ΡΥΘΜΙΣΗ ΤΗΣ ΕΝΤΑΣΗΣ ΗΧΟΥ ΤΟΥ ΚΙΤ ΑΥΤΟΚΙΝΗΤΟΥ

Όταν το τηλέφωνό σας και το κιτ αυτοκινήτου αντιστοιχιστούν, η ένταση του ήχου ρυθμίζεται αυτόματα στο μεσαίο επίπεδο. Πίεστε το πλήκτρο αύξησης έντασης (2-17) για να αυξήσετε το επίπεδο έντασης ή το πλήκτρο μείωσης έντασης (3-18) για να μειώσετε την ένταση. Όταν η ένταση ήχου του ηχείου του κιτ αυτοκινήτου φτάσει στο μέγιστο ή στο ελάχιστο επίπεδο, θα ακούσετε έναν ισχυρό τόνο μπιπ.

## ΠΡΟΣΩΠΙΚΗ ΚΛΗΣΗ (ΕΝΑΛΛΑΓΗ ΚΛΗΣΕΩΝ ΜΕΤΑΞΥ ΚΙΤ ΑΥΤΟΚΙΝΗΤΟΥ ΚΑΙ ΚΙΝΗΤΟΥ ΤΗΛΕΦΩΝΟΥ)

Για να μετακινηθείτε από το κιτ αυτοκινήτου στο κινητό τηλέφωνο, πιέστε το πλήκτρο Σίγασης (16) στο τηλεχειριστήριο. → Θα ακούσετε ένα διπλό “μπιπ” και η κλήση θα μεταφερθεί στο τηλέφωνό σας. → Για να μεταφέρετε την τρέχουσα κλήση από το κινητό σας τηλέφωνο στο κιτ αυτοκινήτου, πιέστε το πλήκτρο Σίγασης (16) ξανά ή επιλέξτε το αντίστοιχο στοιχείο στο μενού του τηλεφώνου (ανάλογα με το τηλέφωνό σας).

## ΕΝΤΟΛΕΣ DTMF

Εάν πρέπει να πληκτρολογήσετε μια εντολή DTMF κατά τη διάρκεια μισ κλήσης, χρησιμοποιήστε το ψηφιακό πληκτρολόγιο (20) στο τηλεχειριστήριο. → Πιέστε το πλήκτρο Ομιλίας (14) στο τηλεχειριστήριο για να στείλετε την εντολή DTMF.

## ΛΕΙΤΟΥΡΓΙΑ HANDSFREE / ΑΚΟΥΣΤΙΚΟΥ

Ορισμένα τηλέφωνα απαιτούν Bluetooth® στη λειτουργία ακουστικού.

Για να ενεργοποιήσετε τη λειτουργία ακουστικού, απενεργοποιήστε το Blue Vision II. → Πιέστε και κρατήστε πατημένο το πλήκτρο Ομιλίας (5) και ενεργοποιήστε τη συσκευή. Θα ακούσετε έναν τόνο μελωδίας. → Αποσυνδέστε το κινητό σας τηλέφωνο και το Blue Vision II όπως περιγράφεται στην ενότητα “Αποσύνδεση”. → Αποκαταστήστε τη σύνδεση Bluetooth® όπως περιγράφεται στην ενότητα “Σύνδεση”. → Από αυτή τη στιγμή το Blue Vision II θα λειτουργεί με το κινητό σας τηλέφωνο σε λειτουργία ακουστικού. → Για να αποκαταστήσετε τη λειτουργία Handsfree, πρέπει να επαναλάβετε αυτή τη διαδικασία.

## ΕΠΙΛΥΣΗ ΠΡΟΒΛΗΜΑΤΩΝ

Πρόβλημα	Αιτία	Επίλυση
Η συσκευή δε φορτίζεται μέσω του βύσματος Αναπτήρα. Η πράσινη ενδεικτική λυχνία (LED) του βύσματος Αναπτήρα είναι σβηστή.	<ul style="list-style-type: none"><li>• Η υποδοχή του αναπτήρα έχει υποστεί ζημιά.</li><li>• Δεν υπάρχει επαφή μεταξύ του μετασχηματιστή και της υποδοχής του αναπτήρα.</li></ul>	<ul style="list-style-type: none"><li>• Ελέγξτε το ηλεκτρικό κύκλωμα του αυτοκινήτου.</li><li>• Ελέγξτε τη σύνδεση του βύσματος αναπτήρα.</li></ul>
Η συσκευή δεν ενεργοποιείται όταν το πλήκτρο On/Off πιέζεται για 5 δευτερόλεπτα.	Η μπαταρία είναι εντελώς αποφορτισμένη.	<ul style="list-style-type: none"><li>• Συνδέστε ένα μετασχηματιστή και φορτίστε την μπαταρία.</li><li>• Απευθυνθείτε σε ένα κέντρο σέρβις.</li></ul>

## BLUETOOTH®

Το σήμα και τα λογότυπα *Bluetooth®* ανήκουν στην Bluetooth SIG, Inc. και κάθε χρήση τους από την TE-Group NV γίνεται κατόπιν ειδικής αδείας. Οι υπόλοιπες εμπορικές ονομασίες ανήκουν στους αντίστοιχους κατόχους τους.

## ΤΕΧΝΙΚΑ ΣΤΟΙΧΕΙΑ

Παράμετρος	Τιμή
Χρόνος φόρτισης	< 3 ώρες
Τάση αναπτήρα οχήματος	10 – 30 V
Χρόνος αναμονής	Μέχρι 300 ώρες
Χρόνος ομιλίας	Μέχρι 24 ώρες

## ΦΡΟΝΤΙΔΑ ΚΑΙ ΣΥΝΤΗΡΗΣΗ

Το Blue Vision II είναι ένα προϊόν ανώτερης σχεδίασης και θα πρέπει να το φροντίζετε με προσοχή. Οι προτάσεις παρακάτω θα σας βοηθήσουν να τηρήσετε οποιοσδήποτε υποχρεώσεις απορρέουν από την εγγύηση και να απολαύσετε αυτό το προϊόν για πολλά χρόνια.

- Διατηρείτε το κιτ αυτοκινήτου στεγνό. Τα αιωρήματα, η υγρασία και τα υγρά κάθε είδους μπορεί να περιέχουν άλατα που διαβρώνουν τα ηλεκτρονικά κυκλώματα.
- Μη χρησιμοποιείτε και μη αποθηκεύετε το κιτ αυτοκινήτου σε ζεστούς χώρους. Οι υψηλές θερμοκρασίες μπορούν να μικρύνουν τη διάρκεια ζωής των ηλεκτρονικών συσκευών ή να λειώσουν μερικά πλαστικά μέρη.
- Μην αποθηκεύετε το κιτ αυτοκινήτου σε κρύα μέρη. Όταν αυτό ζεσταθεί (στην κανονική θερμοκρασία λειτουργίας), μπορεί να σχηματιστεί υγρασία στο εσωτερικό του, που μπορεί να καταστρέψει τις κάρτες των ηλεκτρονικών κυκλωμάτων.
- Μην προσπαθήσετε να ανοίξετε το κιτ αυτοκινήτου. Χειρισμοί από μη ειδικούς μπορεί να προκαλέσουν ζημιά.
- Μη χρησιμοποιείτε ισχυρά χημικά, διαλυτικά καθαρισμού, ή ισχυρά απορρυπαντικά για να καθαρίσετε τη συσκευή.

Εάν η συσκευή δε λειτουργεί σωστά, απευθυνθείτε στο πλησιέστερο εξουσιοδοτημένο κέντρο σέρβις. Το προσωπικό του κέντρου θα σας βοηθήσει και εάν απαιτηθεί θα μεριμνήσει για την επισκευή.

***Το mr Handsfree σας εύχεται καλό και ασφαλές ταξίδι!***

## ΕΓΓΥΗΣΗ

Το Mr Handsfree αποτελεί καταχωρημένο εμπορικό σήμα της TE-Group NV.

Η μάρκα mr Handsfree εξασφαλίζει ανώτερη ποιότητα προϊόντος και εξαιρετική εξυπηρέτηση πελάτη. Αυτός είναι ο λόγος που το mr Handsfree παρέχει εγγύηση για το προϊόν έναντι κάθε ελαττώματος είτε σε υλικά είτε σε κατασκευή για μια χρονική περίοδο **τριών (3) ετών** από την ημερομηνία της αρχικής αγοράς του προϊόντος.

Οι συνθήκες της εγγύησης και το εύρος της ευθύνης του mr Handsfree με βάση αυτήν την εγγύηση, είναι οι παρακάτω:

- Αυτή η εγγύηση ισχύει μόνο για τον αρχικό αγοραστή του προϊόντος και δεν μπορεί να μεταφερθεί σε οποιονδήποτε μεταγενέστερο αγοραστή ή χρήση.
- Κατά τη διάρκεια της περιόδου εγγύησης, η μοναδική υποχρέωση του mr Handsfree περιορίζεται στην επίσκεψη ή την αντικατάσταση, των ελαττωματικών τμημάτων του προϊόντος εάν κάτι τέτοιο είναι απαραίτητο λόγω δυσλειτουργίας ή βλάβης κάτω από συνθήκες κανονικής λειτουργίας. Δε θα υπάρξει καμία χρέωση του πελάτη για ανταλλακτικά ή/και εργασία.
- Το προϊόν πρέπει να αποστέλλεται σε ένα εξουσιοδοτημένο κέντρο σέρβις μέσα στην αρχική και πλήρη του συσκευασία, με το κόστος μεταφοράς προπληρωμένο. Το Mr Handsfree δεν αναλαμβάνει ευθύνη για οποιοσδήποτε απώλειες ή ζημίες κατά τη διάρκεια της μεταφοράς.
- Για να υπάρξει αντικατάσταση ή επίσκεψη μέσα στους όρους της εγγύησης, ο πελάτης πρέπει να παρέχει (α) απόδειξη αγοράς (π.χ. τιμολόγιο με ημερομηνία); (β) γραπτή περιγραφή των βλαβών (γ) διεύθυνση επιστροφής και τηλέφωνο.
- Η εγγύηση δεν καλύπτει και δεν ισχύει για τα παρακάτω:
  - (α) Προϊόντα τα οποία έχουν υποστεί λανθασμένη εγκατάσταση, μη εξουσιοδοτημένη επισκευή, μη εξουσιοδοτημένες τροποποιήσεις ή άλλες ενέργειες για τις οποίες δεν ευθύνεται το mr Handsfree, (β) Προϊόντα τα οποία έχουν υποστεί κακή χρήση, κακομεταχείριση, έχουν παραμεληθεί ή έχουν υποστεί λανθασμένη μεταφορά και αποθήκευση ή ατύχημα και φυσική φθορά, (γ) Προϊόντα που έχουν εκτεθεί σε φωτιά, νερό, υπερβολική υγρασία, άμμο, χύμα, ακραίες μεταβολές θερμοκρασίας και σε άλλες καταστάσεις που είναι πέρα από τον έλεγχο του mr Handsfree, (δ) Προϊόντα που έχουν χρησιμοποιηθεί

με αξεσουάρ μη – εγκεκριμένα από το mfr Handsfree, (ε) Προϊόντα τα οποία έχουν αλλοιωμένο, μη ορατό ή καταστραμμένο αριθμό σειράς, (στ) Προϊόντα τα οποία έχουν ανοιχτεί, μεταβληθεί, επισκευαστεί ή τροποποιηθεί από μη εξουσιοδοτημένο κέντρο σέρβις.

- Από την εγγύηση εξαιρούνται τα αναλώσιμα μέρη τα οποία μπορεί να χρειαστούν αντικατάσταση λόγω φυσιολογικής φθοράς, όπως οι μπαταρίες, τα προστατευτικά αυτιών, τα διακοσμητικά μέρη και άλλα αξεσουάρ.
- Αυτή η εγγύηση σας παρέχει συγκεκριμένα νομικά δικαιώματα, και επίσης μπορεί να έχετε άλλα δικαιώματα τα οποία ποικίλλουν από χώρα σε χώρα.

## TARTALOMJEGYZÉK

BIZTONSÁGI ELŐÍRÁSOK .....	2
MIT TARTALMAZ A MR HANDSFREE BLUE VISION II CSOMAG? ....	2
TERMÉKISMERTETŐ .....	2
HASZNÁLAT .....	3
BESZERELÉS.....	4
TÁRSÍTÁS.....	4
MŰKÖDTETÉS .....	5
HIBAKERESÉS.....	8
A BLUETOOTH VÉDJEGY.....	8
MŰSZAKI JELLEMZŐK .....	8
GONDOZÁS ÉS KARBANTARTÁS .....	8
GARANCIA .....	9

# BIZTONSÁGI ELŐÍRÁSOK

1. Gondoskodjon arról, hogy a készlet működtetése semmilyen módon ne veszélyeztesse a személyes biztonságát.
2. A gépkocsi kormányszerve és fékrendszere vagy egyéb – üzemszerű működtetését biztosító kulcsfontosságú egysége – a kihangosító készlet beszerelése folyamán sértetlen kell maradjon. Bizonyosodjon meg arról, hogy a beszerelt egység a légszák működtetését semmilyen módon nem gátolja vagy akadályozza.
3. A kihangosító készlet kizárólag 12-24 V tápfeszültséggel üzemeltethető, a negatív pólus földelésével. Ezen felsorolt követelmények figyelmen kívül hagyása a gépkocsi elektronikájának visszafordíthatatlan károsodását okozza.

## MIT TARTALMAZ A MR HANDSFREE BLUE VISION II CSOMAG?

### Lásd 1. sz. ábra

- a. Kihangosító egység beépített hangszóróval
- b. Infravörös távvezérlő
- c. Rögzítőelem napellenzőre történő felszereléshez
- d. Acél rögzítőlap műszerfalra történő felszereléshez
- e. Kétoldalas Velcro öntapadó ragasztólap műszerfalra történő felszereléshez
- f. Kétoldalas Velcro öntapadó ragasztólap a távvezérlő rögzítéséhez
- g. Adapter a kihangosító egységnek a gépkocsi szivargyújtójához történő csatlakoztatására

## TERMÉKISMERTETŐ

### KÖZPONTI EGYSÉG

#### Lásd 2. sz. ábra

1. Hangszóró
2. Hangerő szabályozó gomb (Hangosítás)
3. Hangerő szabályozó gomb (Halkítás)
4. Be/ki kapcsoló gomb
5. Beszélgetés gomb: Hívás fogadása / Hangvezérléses híváskezdeményezés / Beszélgetések közti váltás
6. Elutasítás gomb: Hívás befejezése / Hívás elutasítása / Hívásismétlés / Zajló beszélgetés befejezésével a bejövő második hívás fogadása
7. Társítás / Kapcsolat létrehozása gomb
8. Beépített mikrofon
9. Akkumulátortöltő csatlakozó aljzat
10. Szervizfoglat
11. Töltésállapot kijelző
12. Infravörös vevőegység
13. Rögzítő mágnesek

### TÁVVEZÉRLŐ

#### Lásd 3. sz. ábra

14. Beszélgetés gomb: Hívás fogadása / Hangvezérléses híváskezdeményezés / Beszélgetések közti váltás
15. Elutasítás gomb: Hívás befejezése / Hívás elutasítása / Hívásismétlés
16. Némítás gomb (Bizalmas beszélgetéshez)
17. Hangerő szabályozó gomb (Hangosítás)

18. Hangerő szabályozó gomb (Halkítás)
19. Gyorshívás programozás gomb
20. Numerikus nyomógombok
21. Emlékeztető lista
22. Emlékeztető lista védőfilm
23. Üzembe helyezéskor eltávolítandó szigetelőfilm
24. Lithium-polimer akkumulátor
25. Akkumulátor rekesz fedél
26. Infravörös jeladó (Oldalt)

## HASZNÁLAT

A mr Handsfree Blue Vision II a legtöbb Bluetooth® üzemű mobiltelefonnal együtt használható. Minthogy a Bluetooth® technológiát használó készülékek rádióhullámokkal kommunikálnak, a kihangosító és a mobiltelefon nem szükséges, hogy egymással fizikai rálátásban legyenek. A két eszköznek mindössze egymástól maximum 10 méteres távolságon belül kell lennie, így nem szükséges a telefonkészüléket a zsebből vagy a táskából elővenni ahhoz, hogy a kihangosítón keresztül képes legyen hívásokat bonyolítani.

### A TÁVSZABÁLYOZÓ ÜZEMBE HELYEZÉSE

Nyissa fel az akkumulátor rekeszének a fedelét (25) és távolítsa el a szigetelő filmet (23). → Helyezze be az akkumulátort (24) a polaritás helyességének betartásával. → Csukja vissza a rekesz fedelét (25). A távszabályozó a használatra elő lett készítve.

#### Fontos!

**A távszabályozó és a központi kihangosító egység egymással infravörös hullámhosszon létre jövő összeköttetésben vannak egymással. Győződjön meg arról, hogy az infravörös jeladó (26) és az infravörös vevőegység (12) működés közben egymásra akadályok nélkül rálátással legyenek.**

### AZ AKKUMULÁTOR TÖLTÉSE

A mr Handsfree Blue Vision II a gyárilag tartozékként szállított Lithium-polimer akkumulátorral működtethető. Előzetesen az akkumulátor fel lett töltve, mindemellett javasolt a használatba vételt megelőző teljes feltöltés.

Csatlakoztassa az akkumulátor töltő adapter dugaszát a csatlakozó aljzatba (9) és az adaptert pedig illessze a gépkocsi szivargyújtójába. → A töltésállapot kijelzője (11) piros/zöld színben kigyullad a töltés megkezdésekor. → Ha az állapotjelző (11) fénye piros, az akkumulátort addig kell tölteni, amíg az állapotjelző (11) világító fénye zöldre vált. → A töltés befejeztével az adaptert távolítsa el a gépkocsi szivargyújtó aljzatából.

#### Megjegyzés:

- A mr Handsfree Blue Vision II a töltés idején szabadon működtethető.
- A mr Handsfree Blue Vision II töltője megfelel a Nokia telefononok mobil töltőjének. Amennyiben ilyenrel rendelkezik, ezután a meglévőnek vagy a mr Handsfree Blue Vision II új töltőjének bármelyikét használhatja.

### BE/KIKAPCSOLÁS

A kihangosító bekapcsolásához nyomja meg a készülék kapcsológombját (4) kb. 5 másodpercig, amíg az akkumulátor töltésállapot kijelzője (11) villogni nem kezd. → A kihangosító kikapcsolásához nyomja le a készülék kapcsológombját (4) addig, amíg egy dallam lesz hallható és a töltésállapot kijelző (11) fénye kialszik.

## BE/KIKAPCSOLÁS

A kihangosító bekapcsolásához nyomja meg a készülék kapcsológombját (4) kb. 5 másodpercig, amíg az akkumulátor töltésállapot kijelzője (11) villogni nem kezd. → A kihangosító kikapcsolásához nyomja le a készülék kapcsológombját (4) addig, amíg egy dallam lesz hallható és a töltésállapot kijelző (11) fénye kialszik.

## BESZERELÉS

### KIHANGOSÍTÓ EGYSÉG

**A kihangosító rögzítése a napellenzőre:** A kihangosítót a napellenzőre a gyári rögzítő elemmel (c) szerelje fel és a mikrofont irányítsa a vezető szájának irányába. Ez a mikrofonvég beállításának legcélszerűbb módja: a kihangosítón úgy forgassa el a mikrofonvéget, hogy az a vezető szája felé mutasson.

**A kihangosító rögzítése a műszerfalra:** A kihangosítót a műszerfalra a gyári acél rögzítőlap felhasználásával (d) és a kétoldalas öntapadó ragasztólap (e) segítségével szerelje fel.

A hatékony működtetés érdekében a mikrofon vége a vezető szájától 30-50 cm távolságra legyen.

#### Megjegyzés:

Zajló beszélgetés közben a mikrofon helyzetén ne változtasson, mert az átállítással visszhangosodás keletkezhet. Ezt betartva a telefonálás kellemes kétoldali kihangosított párbeszédként fog lezajlani.

### KIHANGOSÍTÓ EGYSÉG

A kihangosító egységnek a műszerfalra történő rögzítését megelőzően az emlékeztető listát (21) vegye ki a kihangosító egység hátoldalán található mélyedésből. Miután ez megtörtént, a kihangosítót rögzítse a műszerfalhoz a Velcro segítségével. Győződjön meg arról, hogy az infravörös jeladó (26) és az infravörös vevőegység (12) működés közben egymásra akadályok nélkül rálátással legyenek.

## TÁRSÍTÁS

A mr Handsfree Blue Vision II készüléket a használatba vételt megelőzően mobil telefonjával társítania kell.

A mr Handsfree Blue Vision II készülék legfeljebb két Bluetooth® üzemmódra alkalmas telefon információit képes tárolni. Ha kettőnél több telefon társítását kísérel meg, a korábban társított telefon helyére rögzíti a legutóbbi telefon adatait, a legkorábbi telefon információi törölődnek a memóriájából. Ha bármely társított telefon a bekapcsolt állapotú mr Handsfree Blue Vision II kihangosító 10 méteres körzetén belül van, a mr Handsfree Blue Vision II automatikusan a legutóljára társított telefontal létesít kapcsolatot. Ha ez a telefon nem elérhető, akkor önműködően a másik, korábban társított telefontal kísérel meg a kapcsolat felépítését. Egyszerre a mr Handsfree Blue Vision II egy élő kapcsolatot képes fenntartani.

A mr Handsfree Blue Vision II készülék Bluetooth® kapcsolatra alkalmas mobil telefontal való társításához mindenek előtt ellenőrizze, hogy telefonkészüléke és a mr Handsfree Blue Vision II kihangosító bekapcsolt állapotban legyen. → Nyomja le a készülék társítás (7) gombját addig, amíg egy dallam lesz hallható és a töltésállapot kijelző (11) zöld és piros fényt váltogatva villogni kezd. A társítási üzemmód két percig aktív és a töltésállapot kijelző (11) ezalatt folyamatosan villog. → Mobil telefonján kapcsolja be a Bluetooth® funkciót. → Lépjen be telefonkészülékén a megfelelő almenübe és a telefon használati utasításának megfelelően keresse vele a környezetében elérhető Bluetooth® eszközöket. → A telefon a 10 méteres körzetben megtalált Bluetooth® eszközökről lista formájában tájékoztat. → Válassza ki a "Blue Vision II" eszközt a listáról. → Űsse be a telefonba a "0000" gyári belépőkódot. A "Blue Vision II" jelölésű készülék a telefon memóriájában a társított készülékek listájában mentésre kerül. → A töltésállapot kijelző (11) villogása megszűnik és a "Blue Vision II" eszköz megjelenik a telefon menüjében a telefontal aktuálisan társított Bluetooth® eszközök listáján.



## KAPCSOLAT LÉTESÍTÉSE / CSATLAKOZTATÁS

Előfordulhat, hogy a mr Handsfree Blue Vision II kihangosító a telefonkészülékéről lecsatlakozik, ilyenkor a kapcsolatot újra fel kell építenie.

- Ha kikapcsolta a mr Handsfree Blue Vision II készüléket: a mr Handsfree Blue Vision II kihangosítót bekapcsolva a kapcsolat automatikusan helyreáll.
- Ha a mobiltelefonra kapcsolta ki: kapcsolja be telefonkészülékét és a megfelelő menüben állítsa helyre a kapcsolatot.
- Ha a két eszköz közül valamelyik hatókörzeten kívül került: miután a két készülék a hatókörzeten belülre került, nyomja le a készülék kapcsolatfelvétel (7) gombját egyszer.

### Megjegyzés:

Minden mobiltelefon típusnál tanácsos a Bluetooth® eszközök listájánál a "Blue Vision II" jelölésű készülék mellett a Engedélyezett/Elfogadott/Jóváhagyott (telefonról függő) nevű beállítások állapotát aktiválni. Erre vonatkozó bővebb részletek a mobiltelefon használati utasításában találhatók.

## KAPCSOLAT MEGSZAKÍTÁSA / LEVÁLASZTÁS

Megesik, hogy a mr Handsfree Blue Vision II eszközt a telefonkészülékéről le kell csatlakoztatnia, ilyen helyzet állhat elő, ha telefonjával egy másik Bluetooth® eszköz használatához kell új kapcsolatot létesítenie. A mobiltelefonról a mr Handsfree Blue Vision II kihangosító lecsatlakoztatásához szükséges lépések:

1. Kapcsolja ki a mr Handsfree Blue Vision II eszközt;
2. Telefonja menüjében kapcsolja ki a "Blue Vision II" eszközt;
3. Vége a mobiltelefonját a mr Handsfree Blue Vision II eszköztől 10 méternél nagyobb távolságra.

## MŰKÖDTETÉS

Mielőtt a mr Handsfree Blue Vision II kihangosítót használni kezdi, ellenőrizze, hogy:

- A mr Handsfree Blue Vision II eszköz társítva van telefonkészülékéhez;
- Telefonja menüjében bekapcsolta a "Blue Vision II" eszközt (lásd a telefon használati utasításában foglaltakat);
- A mr Handsfree Blue Vision II eszköz bekapcsolt állapotban van és a töltésállapot kijelző (11) villog.

## HÍVÁSKEZDEMÉNYEZÉS

### Mobiltelefonjának billentyűit használva:

Üsse be a telefonkészülék gombjain a hívandó telefonszámot. → Nyomja meg a telefonon a hívás (zöld) gombot.

### Hangvezérléses híváskezdeményezés:

Amikor nincsen zajló hívás, nyomja meg a mr Handsfree Blue Vision II kihangosító beszélgetés (5) gombját vagy a távszabályozó beszélgetés (14) gombját → Egy hang hallatszik, amelyik jelzi, hogy mondhatja a hívandó telefonszámhoz rendelt névazonosító szöveget (voice tag). → Mondja be a hívandó telefonszámhoz rendelt névazonosító szöveget a mikrofonba. → A telefonkészülékből felhangzik a névazonosító szöveg és a hozzárendelt telefonszámot a telefon felhívja.

A hangvezérléses hívásindítást a telefonon keresztül is működtetheti. A funkcióról részleteket a telefon használati utasításában találhat. Az egyes telefonszámokhoz hangos azonosítók csak abban az esetben rendelhetők, ha a telefonja támogatja ezt a szolgáltatást.

### A távszabályozó billentyűit használva:

A numerikus billentyűket használva üsse be a hívandó telefonszámot (a "+" jel a "\*" gombnak a hallható visszajelzésig tartó lenyomásával állítható elő). → Nyomja meg a távszabályozó beszélgetés (14) gombját a hívás indításához.

# GYORSHÍVÁS

A gyorshívás funkciója lehetővé teszi, hogy egyetlen gomb megnyomásához olyan telefonszámot rendeljen a távszabályozón, amelyiket gyakran hív fel. Csak a gyakran hívott telefonszámhoz rendelt gyorshívás gombot kell majd megnyomnia. A mr Handsfree Blue Vision II eszköz memóriájában legfeljebb 10 gyorshívó telefonszám tárolható.

## Gyorshívó gombok programozása

A távszabályozó "OK" (19) gombját nyomja le, amíg visszaigazoló kettős sípolást hall. → Nyomja meg a távszabályozó azon gombját ("0"-tól "9"-ig), amelyik gombra a gyorshívás memóriában történő tárolását szánja. Kettős megerősítő sípolás lesz hallható. → Üsse be a távszabályozón a hívandó telefon hívószámjegyeit. → Nyomja meg a távszabályozó "OK" (19) gombját a memóriában történő rögzítéshez, illetve nyomja meg a távszabályozó elutasítás (15) gombját, ha a hívószámot mégsem akarja tárolni. Kettős megerősítő sípolás lesz hallható. → Ezután a memóriában őrzött telefonszám a távszabályozó egyetlen gombját megnyomva hívható.

## **Megjegyzés:**

- A memóriában tárolt telefonszámok gyorshívási számait és a hozzárendelt neveket a kihangosító hátoldalának emlékeztető listáján (21) jegyezheti fel;
- Ha egy gyorshívásra programozott telefonszámot meg szeretne változtatni, a fent leírt lépéssorozatot ismétlje meg és az újonnan bevitt telefonszám az adott gyorshívási programhelyen a rég telefonszámot felülírva rögzül.

## Telefonhívás gyorshívó gombbal

Válassza ki a távszabályozó azon gombját ("0"-tól "9"-ig), amelyik gombra a hívni kívánt telefonszám gyorshívási programját a memóriában előzőleg letárolta. Nyomja meg a távszabályozó kiválasztott gombját 2 másodpercig. → Háromszoros megerősítő sípolás lesz hallható és a telefonszámot a készülék felhívja.

## Gyorshívó gombok hívószámainak együttes törlése

A mr Handsfree Blue Vision II távszabályozó hívógombjaira programozott telefonszámok együttes törlésére nyújt lehetőséget az alábbi lépéssorozat.

Kapcsolja ki a mr Handsfree Blue Vision II készüléket a Be/ki kapcsológomb (4) segítségével. → Nyomja meg a mr Handsfree Blue Vision II kihangosítón az Elutasítás (6) gombot és tartsa lenyomva miközben egy másodpercig megnyomja a Be/ki kapcsológombot (4). → Megerősítő hangot hall, amelyik azt jelzi, hogy a mr Handsfree Blue Vision II távszabályozó hívógombjaira programozott telefonszámok együttes törlése megtörtént. → A mr Handsfree Blue Vision II bekapcsolt állapotban van, használatra kész.

## **Utolsó alkalommal hívott telefonszám újrahívása**

Amikor nincsen zajló hívás, nyomja meg a mr Handsfree Blue Vision II kihangosítón a hívásismétlés (6) vagy a távszabályozón a hívásismétlés (15) gombot. → Kettős megerősítő sípolás lesz hallható és az utolsó ízben hívott telefonszámot a készülék felhívja.

## **HÍVÁS BEFEJEZÉSE**

Nyomja meg a mr Handsfree Blue Vision II kihangosítón a befejezés (6) vagy a távszabályozón a befejezés (15) gombot a zajló hívás befejezéséhez.

## **BEJÖVŐ HÍVÁS FOGADÁSA**

Nyomja meg a mr Handsfree Blue Vision II kihangosítón a fogadás (5) vagy a távszabályozón a fogadás (14) gombot az érkezett hívás fogadásához.

## **AUTOMATIKUS HÍVÁSFOGADÁS**

Ha mobiltelefonján az automatikus hívásfogadás be van kapcsolva, a telefon néhány csengést követően önműködően fogadja az érkezett hívást.

## BEJÖVŐ HÍVÁS ELUTASÍTÁSA

Nyomja meg a mr Handsfree Blue Vision II kihangosítón az elutasítás (6) vagy a távszabályozón az elutasítás (15) gombot a hívás elvetéséhez.

## MÁSODIK BEJÖVŐ HÍVÁS KEZELÉSE

Beszélgetés közben újabb hívás érkezésekor egy sipoló hang lesz hallható és a választási alternatíva az alábbi:

1. Nyomja meg a mr Handsfree Blue Vision II kihangosítón a fogadás (6) vagy a távszabályozón a fogadás (15) gombot a második hívás fogadásához az első hívást várakoztatásra állítva. → Nyomja meg a Blue Vision II kihangosítón a fogadás (6) vagy a távszabályozón a fogadás (15) gombot a két zajló hívás közti átváltáshoz.
2. Nyomja meg a mr Handsfree Blue Vision II kihangosítón a befejezés (6) vagy a távszabályozón a befejezés (15) gombot a zajló hívás befejezéséhez és a második hívás fogadásához.

### Megjegyzés:

Bizonyos telefonkészülékek nem támogatják ezt a funkciót a Bluetooth® kapcsolatú üzemmódban, vagy a telefon menüjén keresztül nyugtázást várnak mindehhez.

## A mr HANDSFREE BLUE VISION II HANGEREJÉNEK BEÁLLÍTÁSA

A mr Handsfree Blue Vision II kihangosító és a mobiltelefon társításának befejeztével a hangerőt a készülék automatikusan középállásra állítja. Nyomja meg a hangerő szabályozó gombokat (kihangosítón "2" vagy távszabályozón "17") a hangerő növelésére, illetve nyomja meg a hangerő szabályozó gombokat (kihangosítón "3" vagy távszabályozón "18") a hangerő csökkentésére a kívánt szint eléréséhez. A maximum illetve minimum hangerő szintek elérésekor erős sipoló hang lesz hallható.

## BIZALMAS TELEFON (ÁTIRÁNYÍTÁS A KIHANGOSÍTÓRÓL A MOBILTELEFONRA)

Valamely zajló hívásnak a mr Handsfree Blue Vision II kihangosítóról a mobiltelefonra történő átirányításához nyomja meg a távszabályozó Menü (16) gombját. Kettős sipjelzés lesz hallható és a hívás a mobiltelefon készülékre lesz átirányítva. → A kihangosítóra történő visszairányításhoz a fent leírtak megismétlésével lehet eljutni, vagy a mobiltelefon menüjében lehet a hívást átirányítani a Bluetooth® üzemi kihangosítóra.

## DTMF UTASÍTÁSOK

A telefonközpontoknak beszélgetés közben adandó utasítás végrehajtásához nyomja meg a távszabályozó ábrán a 20-ossal jelölt gombot. → Nyomja meg a távszabályozón a beszélgetés (14) gombot a DTMF utasítás kiadásához.

## ÉRINTÉS NÉLKÜLI ÜZEMMÓD/ FÜLHALLGATÓ ÜZEMMÓD

Bizonyos telefonmodellek a Bluetooth® működtetéséhez Fejhallgató (Headset) üzemmódot kívánnak meg. A Fejhallgató (Headset) üzemmód aktiválásához kapcsolja ki a mr Handsfree Blue Vision II kihangosító készüléket. → Nyomja meg a mr Handsfree Blue Vision II kihangosítón a beszélgetés (5) gombot és kapcsolja be a készüléket a (4) jelű gomb megnyomásával. Egy dallam lesz hallható. → A kapcsolat megszakítása / leválasztás részben leírtak szerint szakítsa meg a mr Handsfree Blue Vision II kihangosító és a mobiltelefon Bluetooth® kapcsolatát. → A mr Handsfree Blue Vision II kihangosító és a mobiltelefon Bluetooth® kapcsolatát a kapcsolat létesítése / csatlakoztatás részben leírtak szerint állítsa helyre. → Ettől kezdve a mr Handsfree Blue Vision II kihangosító a mobiltelefonnal Fülhallgató üzemmódban fog együttműködni. → A normál kihangosító üzemmód visszaállításához az itt felsorolt lépéssorozat megismétlésével lehet eljutni.

## HIBAKERESÉS

Jelenség	Lehetséges ok	Megoldás
Nem töltődik az eszköz a szivargyújtóról. A zöld LED a szivargyújtó csatlakozó adapterén nem világít.	<ul style="list-style-type: none"><li>A szivargyújtó aljzat sérült.</li><li>A szivargyújtó és az autós készlet fémesen nem érintkezik.</li><li>Az autós készlet csatlakozója sérült.</li></ul>	<ul style="list-style-type: none"><li>Ellenőrizze, hogy a szivargyújtó megfelelően működik.</li><li>Tisztítsa meg a szivargyújtó és az autós készlet érintkezőit.</li><li>Ha az előző két lépés nem hoz eredményt, keresse fel a szakszervizt.</li></ul>
Az eszköz nem kapcsol be a Be/kikapcsoló gombot 5 másodpercre lenyomva.	Az akkumulátora teljesen lemerült.	<ul style="list-style-type: none"><li>A töltőt csatlakoztassa a szivargyújtóba és tölts fel az akkumulátort.</li><li>Ha ez nem eredményes, keresse fel a szakszervizt.</li></ul>

## A BLUETOOTH VÉDJEGY

A *Bluetooth*® védjegy és logo a Bluetooth SIG, Inc. tulajdonában van és használata a TE-Group NV cég engedélyéhez kötött. Egyéb védjegyek a megfelelő vállalatok tulajdonát képezik.

## MŰSZAKI JELLEMZŐK

Jellemző tulajdonság	Érték
Töltéshez szükséges idő	< 3 óra
Autós szivargyújtó feszültség	10-30 V
Készletléti időtartam hossza	max. 300 óra
Beszélgéti idő (becsült érték)	max. 24 óra

## GONDOZÁS ÉS KARBANTARTÁS

A megvásárolt mr Handsfree Blue Vision II kihangosító kiváló minőségű és kellő gondosságot követel meg.

Az alábbi javaslatok a garanciális kötelezettségek betartását és a készülék sokéves gondtalan használatát segítik elő:

- Tartsa az autós készletet száraz levegőn. A páralecsapódás, nedvesség és bármely fajta folyadék olyan ásványokat tartalmazhat, amelyek az elektronikus áramkörök korrózióját idézik elő.
- Ne használja vagy tárolja az autós készletet forróságban. A magas hőmérséklet az elektronikus eszközök élettartamát megrövidítheti és bizonyos műanyag alkatrészei deformálódhatnak vagy megalvadhatnak.
- Ne tárolja az autós készletet hideg helyen. Ha felmelegszik (eléri normál hőmérsékletét), kondenzvíz csapódik le a készülék belsejében és az elektronikus nyomtatott áramkörök károsodhatnak.
- Ne tegyen kísérletet az autós készlet felnyitására. Hozzá nem értő kezekben a készülék sérülést szenvedhet.
- Ne használjon agresszív vegyszereket, tisztítószerkeket, vagy erős mosószereket az autós készlet tisztán tartásához.

Ha a készülék nem rendeltetésének megfelelően működik, keresse fel vele a legközelebbi szakszervizt, ahol segítséget kaphat és szükség szerint gondoskodnak a javításról.

**A mr Handsfree kellemes és biztonságos utazást kíván Önnek!**

Download from [www.Somanuals.com](http://www.Somanuals.com). All Manuals Search And Download.

# GARANCIA

A mr Handsfree név a TE-Group NV cég bejegyzett védjegye.

A mr Handsfree márka kiváló termékminőséget és kiemelkedő bevégondozást képvisel. Ezen okból a TE-Group NV cég a mr Handsfree működésének gyártási hibából vagy anyag- illetve szerelési hibából eredő meghibásodása esetére a fogyasztónak az eredeti vásárlás dátumától kezdődően **3 (három) éves** garanciát nyújt.

Az ilyen módon korlátozott garancia és az ezzel kapcsolatos gyártói felelősség a mr Handsfree tekintetében az alábbi:

- Ez a garancia az eredeti tulajdonosra vonatkozik és a jogosultság át nem ruházható további vásárlóra illetve használóra.
- A korlátozott garanciaidőn belül a mr Handsfree termékkel kapcsolatos garancia a javításra és szükség szerint hibás alkatrész cseréjére terjed ki, amely meghibásodás normál körülmények között bizonyítottan a rendeltetészerű használatot akadályozza. A cseredarab és a felhasznált munka költségei a fogyasztót nem terhelik.
- A terméket a feljogosított szakszervízbe kell eljuttatni eredeti és komplett gyári csomagolásában, a szállítás költsége a fogyasztóra hárul. A mr Handsfree termékgarancia nem terjed ki a szállításból eredő sérülésekre / veszteségekre.
- A garancia keretein belül érvényesíthető javításhoz vagy cseréhez a fogyasztónak az alábbiakat kell rendelkezésre bocsátania: (a) vásárlási bizonylat (dátummal ellátott kereskedelmi számla); (b) a meghibásodás(ok) írásos formában történő ismertetése; (c) fogyasztó adatainak (név/cím/telefonszám) megadása; (d) kitöltött garancialevél.
- A garancia nem érvényesíthető valamint érvényét veszti:
  - (a) Olyan termék esetén, amelyet nem hozzáértőként szereltek be, jogosulatlanul javítottak, helytelen volt a karbantartása, felhatalmazás nélkül módosítottak és bármilyen káresemény bekövetkeztekor amely nem a mr Handsfree működésére vezethető vissza; (b) Olyan termék esetén, amelyet nem rendeltetészerűen használtak, kíméletlenül vagy hanyag módon bántak vele, helytelenül kezelték vagy tárolták, baleset vagy fizikai sérülés tárgyává vált; (c) Olyan termék esetén, amelyet tűz, víz, fokozott nedvesség, homok, szennyeződés, szélsőséges hőmérséklet-ingadozás és egyéb más körülmények nemkívánatos hatásának tettek ki, amelyek kívül esnek a mr Handsfree befolyásán; (d) Olyan termék esetén, amelyet a mr Handsfree használatához nem jóváhagyott kiegészítő eszközzel együtt működtek; (e) Olyan termék esetén, amelynek a gyártási számát megváltoztatták, olvashatatlanná tették vagy eltávolították; (f) Olyan termék esetén, amelyet jogosulatlanok felnyitottak, átalakítottak, javítottak vagy megváltoztattak.
- A garancia alól kivételt képeznek a fogyóeszközök, amelyek cseréire szorulnak normál használat és kopás során, úgymint akkumulátor, fülhallgató szivacs, díszítőelemek és egyéb kiegészítők.
- Ez a korlátozott garancia meghatározott jogosultságot nyújt, amelyen túl országonként eltérő formában egyéb jogosultságok is fennállhatnak.

## SADRŽAJ

UPUTE O SIGURNOSTI .....	2
ŠTO SADRŽI MR HANDSFREE BLUE VISION II?.....	2
PREGLED .....	2
POČETAK RADA.....	3
INSTALIRANJE.....	3
UPARIVANJE .....	4
RAD .....	5
OTKLANJANJE SMETNJI .....	7
BLUETOOTH® .....	7
TEHNIČKI PODACI.....	7
NJEGA I ODRŽAVANJE .....	7

## UPUTE O SIGURNOSTI

1. Provjerite da rad kompleta za vozilo ne ugrožava vašu sigurnost.
2. Provjerite da komplet u vozilu ne utječe na nesmetan rad sustava za upravljanje i kočenje niti na druge dijelove koji su neophodni za nesmetanu vožnju. Provjerite da nije komplet za rad u vozilu na putu zračnom jastuku.
3. Komplet za montiranje u vozilu radi na naponima od 12-24 V gdje je minus pol uzemljen.
4. Provjerite da montiranje na zaslonu protiv sunca ne može dovesti do ozljeda u slučaju nezgode.

## ŠTO SADRŽI MR HANDSFREE BLUE VISION II?

### Vidi sliku 1.

- a. Handsfree jedinica s ugrađenim zvučnikom
- b. Infracrveno daljinsko upravljanje
- c. Kvačicu za pričvršćenje na zaslon protiv sunca
- d. Kvačicu za pričvršćenje na upravljačku ploču
- e. Dvostranu traku za učvršćenje na upravljačku ploču
- f. VELCRO-dio za pričvršćenje daljinskog upravljača
- g. Utičak za priključak na utičnicu upaljača za cigarete – služi za napajanje

## PREGLED

### CENTRALNA JEDINICA

#### Vidi sliku II

1. Zvučnik
2. Tipka za povećanje glasnoće
3. Tipka za smanjenje glasnoće
4. Tipka za uključivanje/isključivanje napajanja
5. Tipka za razgovor: Odgovor na pozive / Biranje glasom /Prebacivanje dva poziva
6. Tipka za odbijanje: Završetak razgovora / Neprihvatanje poziva / Ponovno biranje / Završetak razgovora i odgovor na drugi dolazni poziv
7. Tipka za uparivanje / spajanje
8. Ugrađeni mikروفon
9. Podnožje za punjenje
10. Podnožje za rad
11. Indikator stanja baterija
12. Infracrveni prijemnik
13. Dva magneta za pričvršćenje kvačica

### DALJINSKI UPRAVLJAČ

#### Vidi sliku III

14. Tipka za razgovor: Odgovor na pozive / Biranje glasom
15. Tipka za odbijanje: Završetak razgovora / Neprihvatanje poziva / Ponovno biranje
16. Tipka za isključivanje mikrofona
17. Tipka za povećanje glasnoće
18. Tipka za smanjenje glasnoće
19. Tipka za programiranje brzog biranja

20. Tipkovnica
21. Memorijska kartica
22. Zaštitni film za karticu
23. Zaštitni film za bateriju
24. Litijeva baterija
25. Poklopac za bateriju
26. Infracrveni predajnik

## POČETAK RADA

Uređaj mr Handsfree Blue Vision II je kompatibilan s većinom Bluetooth® mobilnih telefona.

Obzirom da uređaji na bazi Bluetooth® tehnologije komuniciraju radio valovima, komplet za rad u vozilu i mobilni telefon ne moraju biti međusobno vidljivi. Maksimalna udaljenost na kojoj uređaji međusobno komuniciraju iznosi 10 metara, pa se ne mora mobilni telefon vaditi iz džepa ili torbice tijekom razgovora putem kompleta u vozilu.

Bluetooth® telefoni raznih proizvođača imaju različite mogućnosti, pa se neke od ovdje opisanih funkcija razlikuju ili ih se ne može koristiti.

### AKTIVIRANJE DALJINSKOG UPRAVLJAČA

Otvorite poklopac za baterije (25) i skinite zaštitni film s baterije (23). → Postavite bateriju (24) na predviđeno mjesto i pri tome pazite na polaritet. → Vratite poklopac (25) na mjesto. Daljinski upravljač je sada spreman za rad.

#### Važno!

**Daljinski upravljač i komplet za rad u vozilu komuniciraju međusobno preko infracrvenog svjetla. Treba paziti da infracrveni predajnik (26) i prijemnik (12) budu međusobno u vidljivom dometu tijekom rada.**

### PUNJENJE BATERIJE

mr Handsfree Blue Vision II se isporučuje s litijevom polimerskom baterijom za nadopunjavanje. Baterija se treba na početku napuniti, no ne preporučuje se punjenje baterije prije prvog korištenja kompleta za rad u vozilu.

Utaknite utikač adaptera u utičnicu za punjenje (9) i utikač za upaljač odgovarajuću utičnicu na vozilu. → Indikator stanja baterije (11) svijetli crveno ili zeleno na početku punjenja. → Ukoliko indikator (11) svijetli crveno, komplet treba puniti sve dok indikator ne promijeni boju u zelenu. → Odvojite punjač od kompleta za vozilo.

#### Opaska:

- Tijekom punjenja može se koristiti Blue Vision II.
- Blue Vision II je kompatibilan s putnim punjačima za mobilne telefone tvrtke Nokia. Oni se mogu koristiti za punjenje Blue Vision II u kući.

### UKLJUČIVANJE / ISKLJUČIVANJE KOMPLETA ZA VOZILO

Za uključivanje kompleta treba pritisnuti i držati tipku (4) tijekom 5 sekundi, dok indikator stanja baterije (11) ne zasvijetli zeleno i dok se ne čuje zvučni signal potvrde. → Indikator stanja baterije (11) počinje treperiti. → Za uključivanje kompleta za rad u vozilu treba pritisnuti i držati tipku za napajanje (4) dok se ne čuje zvučni signal potvrde i dok indikator stanja baterije (11) ne prestane svijetliti.

## INSTALIRANJE

### CENTRALNA JEDINICA

**Na zaslon protiv sunca:** Učvrstite centralnu jedinicu na zaslon protiv sunca pomoću posebne kvačice (c) i usmjerite mikrofon (8) prema ustima. To je osnovni radni položaj mikrofona: tijelo mikrofona treba zakrenuti na centralnoj jedinici i njegov kraj usmjeriti prema ustima vozača.



**Na upravljačku ploču:** Učvrstite centralnu jedinicu na upravljačku ploču pomoću dvostrane trake i ravne metalne kvačice za pričvršćenje na upravljačku ploču (d).

Najbolji rezultati se postižu, ako je mikrofon udaljen 30-50 cm od usta vozača.

**Opaska:**

Preporučujemo, da se mijenja položaj mikrofona tijekom razgovora, kako ne bi došlo do tzv. 'eho efekta'. Ukoliko se pridržavate ovog savjeta, dobiva se vrlo dobra duplex komunikacija tijekom razgovora.

## DALJINSKI UPRAVLJAČ

Za učvršćenje daljinskog upravljača na daljinsku ploču treba skinuti memorijsku karticu (21) na stražnjoj strani daljinskog upravljača. Nakon što se kartica uklonila, upravljač se može učvrstiti na upravljačku ploču pomoću Velcro dijel (6). Provjerite, da li je predajnik daljinskog upravljača usmjeren prema infracrvenom prijemniku centralne jedinice, te da između njih nema zapreka.

## UPARIVANJE

Prije korištenja treba upariti Blue Vision II s vašim mobilnim telefonom.

Blue Vision II može zapamtiti obavijesti o uparivanju s do 2 različita Bluetooth® telefona. Ukoliko se pokuša upariti novi uređaj, najstariji upareni uređaj se briše iz memorije.

Ako je bilo koji od uparenih uređaja u dometu od 10 metara, a Blue Vision II je uključen, Blue Vision II automatski započinje spajanje na mobilni telefon, koji je zadnji bio priključen na uređaj. Ukoliko taj telefon nije na raspolaganju, Blue Vision II automatski traži drugi upareni telefon na kojeg se želi spojiti. Blue Vision II može imati aktivno samo jedan spoj.

Provjerite, da li su telefon i uređaj za rad u vozilu uključeni. → Pritisnite i držite tipku za uparivanje (7) tijekom 5 sekundi dok ne čujete zvučni signal potvrde i dok indikator (11) naizmjenično ne treperi zeleno i crveno. Uparivanje je aktivirano tijekom 2 minute (tijekom te 2 minute indikator (11) treperi). → Uđite u Bluetooth® izbornik telefona i provjerite, da li je Bluetooth® opcija aktivirana. → Uđite u podizbornik u kojem telefon traži Bluetooth® uređaje i započnite s traženjem. → Telefon traži Bluetooth® uređaje u okruhu od 10 metara i pokazuje popis pronađenih uređaja. → Odaberite s popisa Blue Vision II. → Unesite lozinku „0000“ za uparivanje i spojite Blue Vision II na telefon. → Indikator (11) prestaje treperiti, a u izborniku telefona se pojavi „Blue Vision II“, te se može vidjeti da je taj uređaj trenutno uparen s vašim telefonom.

## SPAJANJE

U nekim slučajevima se Blue Vision II može odvojiti od telefona, pa je potrebno ponovno uspostaviti spoj.

- Ukoliko se Blue Vision II isključuje: Uključite napajanje, pa se spoj uspostavlja automatski.
- Ukoliko je mobilni telefon bio isključen: Uključite mobilni telefon, te uspostavite vezu pomoću izbornika na telefon.
- Ukoliko je jedan od uređaja izašao izvan dometa: Provjerite, da li su oba uređaja u dometu, te jednom pritisnite na tipku za spajanje (7).

**Opaska:**

Za sve vrste mobilnih telefona preporučuje se postaviti u Bluetooth® izborniku za Blue Vision II uređaj „Trust-pouzđano“ ili „Authorized-autorizirano“. Pogledajte priručnik za mobilni telefon za više obavijesti.

## ODVAJANJE

Komplet za rad u vozilu se može odvojiti od telefona, ukoliko napr. želite koristiti neki drugi Bluetooth® uređaj za rad s vašim telefonom. Blue Vision II se može odspojiti na slijedeće načine:

1. Isključiti napajanje kompleta za rad u vozilu.
2. Odspojiti komplet u izborniku mobilnog telefona.
3. Odmaknuti se s mobilnim telefonom više od 10 metara od kompleta.

Prije korištenja mr Handsfree Blue Vision II treba provjeriti, da li je:

- Komplet za rad u vozilu uparen i spojen na mobilni telefon.
- Opcija Bluetooth® uključena na mobilnom telefonu (detalje pogledati u priručniku za telefon).
- Komplet za rad u vozilu uključen, te da li indikator stanja baterije (11) treperi.

## NAZIVANJE

### Putem tipkovnice mobilnog telefona

Birajte broj na tipkovnici. → Pritisnite tipku 'Talk-razgovor' na telefonu.

### Putem biranja glasom

Ukoliko nije veza uspostavljena, pritisnite jednom tipku za razgovor (5) ili tipku (14) na daljinskom upravljaču. → Čuje se zvučni signal, što je znak da možete izgovoriti ime. → Izrecite željeno ime. → Telefon analizira zvučnu zapovijed i bira odgovarajući telefonski broj.

Aktivirati se može biranje glasom i na vašem telefonu. Detalji o biranju glasom na telefonu se nalaze u uputama za telefon. Treba imati na umu, da je biranje glasom moguće samo, ukoliko tu opciju podržava mobilni telefon.

### Putem tipkovnice na daljinskom upravljaču

Pritisnite tipke na tipkovnici, te unesite broj (za „+“ treba pritisnuti i držati \* tipku, dok se ne čuje potvrda). → Pritisnite tipku za razgovor (14) na daljinskom upravljaču, pa se na taj način bira broj.

### Putem 'brzog biranja'

Brzo biranje omogućuje unos jedne znamenice za neki telefonski broj. Treba pritisnuti samo jedan broj, kako bi se birao odgovarajući telefonski broj. Blue Vision II može pohraniti do 10 brojeva za brzo biranje.

#### Programiranje brojeva za brzo biranje

Pritisnite i držite „OK“ tipku (19) na daljinskom upravljaču tijekom 2 sekunde, dok ne čujete dva puta 'bip'. → Pritisnite neku tipku između „0“ do „9“, kako bi odabrali memorijsko mjesto u kojem želite pohraniti telefonski broj. Čuje se dva puta 'bip'. → Unesite cijeli telefonski broj pomoću tipkovnice. → Pritisnite „OK“ tipku (19) za potvrdu unesenog broja ili pritisnite tipku za odbacivanje (15), ukoliko ne želite pohraniti taj broj. Čuje se dva puta 'bip'. → Uneseni telefonski broj odgovara sada broju (0-9) za brzo biranje.

#### **Opaska:**

- Na stražnjoj strani daljinskog upravljača možete napisati imena pohranjenih brojeva za brzo biranje i to na odgovarajuću karticu (21).
- Želite li zamijeniti u memoriji za brzo biranje neki telefonski broj, trebate ponoviti gore navedene korake, kako biste preko postojećeg broja upisali novi telefonski broj.

#### Nazivanje

Odaberite broj za brzo biranje, koji je pridružen telefonskom broju kojeg želite nazvati. → Pritisnite i držite tipku na daljinskom upravljaču tijekom 2 sekunde. → Čuje se tri puta 'bip' i odgovarajući telefonski broj se bira.

#### Gyorshívó gombok hívószámainak együttes törlése

Kapcsolja ki a mr Handsfree Blue Vision II készüléket a Be/ki kapcsológomb (4) segítségével. → Nyomja meg a mr Handsfree Blue Vision II kihangosítón az Elutasítás (6) gombot és tartsa lenyomva miközben egy másodpercig megnyomja a Be/ki kapcsológombot (4). → Megerősítő hangot hall, amelyik azt jelzi, hogy a mr Handsfree Blue Vision II távszabályozó hívógombjaira programozott telefonszámok együttes törlése megtörtént. → A mr Handsfree Blue Vision II bekapcsolt állapotban van, használatra kész.

### Ponovno biranje posljednje biranog broja

Pritisnite tipku za odbacivanje (6) ili (15) na daljinskom upravljaču, kada nema uspostavljene veze. → Čuje se dva puta 'bip' pa telefon bira posljednje birani broj.

## ZAVRŠETAK RAZGOVORA

Pritisnite tipku za odbacivanje (6) ili (15) na daljinskom upravljaču za završetak razgovora preko mobilnog telefona.

## ODGOVARANJE NA POZIV

Pritisnite tipku 'Talk-razgovor' (5) ili (14) na daljinskom upravljaču.

## AUTOMATSKO ODGOVARANJE NA POZIV

Ukoliko je funkcija automatskog odgovaranja uključena na mobilnom telefonu, telefon automatski odgovara nakon nekoliko zvona na poziv.

## ODBACIVANJE POZIVA

Pritisnite tipku za odbacivanje poziva (6) ili (15) na daljinskom upravljaču.

## DRUGI DOLAZNI POZIV

Ukoliko tijekom razgovora dođe drugi poziv čuje se 'bip' pa na raspolaganju imate dvije mogućnosti:

1. Pritisnite tipku 'Talk-razgovor' (5) ili (14) na daljinskom upravljaču za prihvrat drugog poziva i stavite prvi razgovor na čekanje. → Ponovnim pritiskom na tipku za razgovor (5) ili (14) na daljinskom upravljaču prebacujete se s razgovora na razgovor.
2. Pritisnite tipku za odbacivanje poziva (6) ili (15) na daljinskom upravljaču za prihvaćanje drugog poziva i odbacivanje trenutnog poziva.

### Opaska:

Neki telefoni ne podržavaju ovu opciju kod Bluetooth® rada ili traže potvrdu u izborniku telefona.

## PODEŠAVANJE GLASNOĆE ZVUČNIKA NA KOMPLETU ZA VOZILO

Nakon što su telefon i komplet za vozilo upareni, glasnoća se automatski postavi na srednji nivo. Pritiskom na tipku za povećanje glasnoće (2 ili 17) povećava se glasnoća, a pritiskom na tipku (3 ili 18) smanjuje. Ako se dosegne gornja ili donja granica glasnoće čuje se glasni 'bip' za upozorenje.

## PRIVATNOST TIJEKOM RAZGOVORA (PREBACIVANJE RAZGOVORA S KOMPLETA NA MOBILNI TELEFON I OBRNUTO)

Za prebacivanje razgovora s kompleta za vozilo na mobilni telefon treba pritisnuti tipku 'Mute-isključivanje mikrofona' (16) na daljinskom upravljaču. → Čuju se 2 'bip' signala i poziv se prebacuje na mobilni telefon. → Za ponovno prebacivanje na komplet za vozilo, treba ponovno pritisnuti 'Mute-isključivanje mikrofona' (16) ili odabrati odgovarajući način u izborniku za telefon (ovisno o mobilnom telefonu).

## DTMF KOMANDE

Ukoliko trebate odabrati neku DTMF komandu tijekom razgovora, pritisnite tipkovnicu (20) na daljinskom upravljaču. → Pritisnite tipku za razgovor (14) na daljinskom upravljaču za slanje DTMF komande.

## NAČIN RADA – RAZGOVOR BEZ POMOĆI RUKU / SLUŠALICE

Neki telefoni zahtijevaju Bluetooth® rad u načinu rada-slušalice.

Za aktiviranje tog načina rada isključite Blue Vision II. → Pritisnite tipku 'talk-razgovor' (5) i uključite napajanje. Čuje se melodija. → Odvojite mobilni telefon i Blue Vision II na način opisan pod odvajanje. → Od tog trenutka Blue Vision II radi s mobilnim telefonom u načinu rada-slušalice. → Postupak treba ponoviti za ponovni prijelaz u način rada- bez pomoći ruku.

## OTKLANJANJE SMETNJI

Problem	Uzrok	Otklanjanje
Uređaj se ne puni kada se spoji na utičnicu upaljača za cigarete. Zeleni LED na utikaču za cigarete ne svijetli.	<ul style="list-style-type: none"><li>• Utičnica upaljača za cigarete je oštećena.</li><li>• Nema kontakta između adaptera za napajanje i utičnice upaljača za cigarete.</li></ul>	<ul style="list-style-type: none"><li>• Provjerite instalaciju u vozilu.</li><li>• Provjerite kontakt.</li></ul>
Uređaj se ne uključuje nakon što se tipka za uključivanje / isključivanje drži utisnuta dulje od 5 sekundi.	Baterija je potpuno prazna.	<ul style="list-style-type: none"><li>• Spojite adapter za napajanje i napunite bateriju.</li><li>• Obratite se servisu.</li></ul>

## BLUETOOTH®

Riječ i oznaka *Bluetooth*® je vlasništvo Bluetooth SIG, Inc. i korištenje tih oznaka podliježe licenciranju. Ostali robni znaci i imena pripadaju njihovim vlasnicima.

## TEHNIČKI PODACI

Parametar	Vrijednost
Vrijeme punjenja	< 3 sata
Napon na utičnici upaljača za cigarete	10-30 V
Vrijeme u stanju pripravnosti za rad (standby)	do 300 sati
Vrijeme razgovora	do 24 sata

## NJEGA I ODRŽAVANJE

Blue Vision II je vrlo sofisticiran proizvod i s njim treba pažljivo postupati. Napuci u nastavku će vam olakšati ispunjenje obveza za ostvarenje garancije i omogućiti vam da mnogo godina koristite proizvod bez problema.

- Komplet za vozilo treba biti suh. Oborine, vlaga i sve vrste tekućina mogu sadržavati minerale koji pospješuju koroziju elektroničkih sklopova.
- Komplet se ne smije pohranjivati niti koristiti u vrućoj okolini. Visoke temperature skraćuju rok trajanja elektroničkih sklopova i oštećuju ili rastapaju neke plastične dijelove.
- Komplet se ne smije pohranjivati u hladnoj okolini. Nakon zagrijavanja na normalnu temperaturu, može doći do rošenja s unutarnje strane a to dovodi do oštećenja pločica s elektroničkim sklopovima.
- Ne pokušavajte otvarati komplet za vozilo. Nestručno rukovanje može dovesti do oštećenja.
- Ne upotrebljavati snažne kemikalije, otapala za čišćenje ili jake deterdžente za čišćenje uređaja.

Ukoliko uređaj ne radi ispravno predajte ga najbližem servisu na popravak.

***mr Handsfree vam želi ugodno i sigurno putovanje!***

## СОДЕРЖАНИЕ

ПРАВИЛА ТЕХНИКИ БЕЗОПАСНОСТИ .....	2
КОМПЛЕКТНОСТЬ И КОМПЛЕКТУЮЩИЕ .....	2
ОПИСАНИЕ .....	2
ДО НАЧАЛА РАБОТЫ .....	3
УСТАНОВКА .....	4
РЕГИСТРАЦИЯ .....	4
РАБОТА С УСТРОЙСТВОМ.....	5
ВОЗМОЖНЫЕ НЕИСПРАВНОСТИ И ИХ УСТРАНЕНИЕ .....	7
BLUETOOTH® .....	8
ТЕХНИЧЕСКИЕ ХАРАКТЕРИСТИКИ.....	8
УХОД И ТЕХНИЧЕСКОЕ ОБСЛУЖИВАНИЕ .....	8
СВЕДЕНИЯ О СЕРТИФИКАЦИИ .....	8
ГАРАНТИЙНЫЙ СЕРТИФИКАТ	

## ПРАВИЛА ТЕХНИКИ БЕЗОПАСНОСТИ

1. При выполнении монтажа следите за тем, чтобы не повредить электропроводку автомобиля.
2. Монтаж оборудования не должен привести к ухудшению условий управления автомобилем, в особенности это относится к работе тормозной системы и рулевого управления. Запрещается создавать препятствия в области раскрытия подушек безопасности.
3. Автомобильный комплект громкой связи предназначен для установки только в автомобили с заземленным отрицательным полюсом источника питания и бортовым напряжением 12В или 24В. Другое напряжение или полярность могут вызвать повреждение устройства.
4. Удостоверьтесь, что при установке устройства на солнцезащитный козырек, он не станет причиной дополнительных травм в случае аварии.

## КОМПЛЕКТНОСТЬ И КОМПЛЕКТУЮЩИЕ

### см. Иллюстрацию I

- a. Блок громкой связи
- b. ИК пульт дистанционного управления

### КОМПЛЕКТУЮЩИЕ

- c. Клипса для фиксации на солнцезащитном козырьке
- d. Клипса для фиксации на приборной панели
- e. Двусторонняя клейкая лента для фиксации на приборной панели
- f. Лента Велкро для фиксации пульта управления
- g. Адаптер для подключения блока громкой связи Blue Vision II к бортовой сети автомобиля (12 – 24В) через гнездо прикуривателя

## ОПИСАНИЕ

### БЛОК ГРОМКОЙ СВЯЗИ

#### см. Иллюстрацию II

1. Динамик
2. Кнопка «Увеличение громкости»
3. Кнопка «Уменьшение громкости»
4. Кнопка «Вкл/Выкл»
5. Кнопка «Ответ»: Ответ на вызов / Голосовой набор / Переключение между двумя вызовами
6. Кнопка «Отмена»: Завершение разговора / Отклонение вызова / Повтор набранного номера / Завершение текущего разговора и ответ на второй вызов
7. Кнопка «Регистрация/Установка соединения»
8. Встроенный микрофон
9. Разъем для сетевого кабеля
10. Сервисный разъем
11. Индикатор заряда батареи
12. ИК порт
13. Магниты для фиксации

## ПУЛЬТ ДИСТАНЦИОННОГО УПРАВЛЕНИЯ

### см. Иллюстрацию III

14. Кнопка «Ответ»: Ответ на вызов / Голосовой набор
15. Кнопка «Отмена»: Завершение разговора / Отклонение вызова / Повтор набранного номера
16. Кнопка отключения громкой связи
17. Кнопка «Увеличение громкости»
18. Кнопка «Уменьшение громкости»
19. Кнопка программирования быстрого набора номера
20. Цифровая клавиатура
21. Карточка для записи номеров
22. Защитная пленка для карточки
23. Защитная пленка аккумуляторной батареи
24. Аккумуляторная батарея Li-Polymer
25. Крышка отсека батареи
26. ИК передатчик

## ДО НАЧАЛА РАБОТЫ

Устройство громкой связи mr Handsfree Blue Vision II совместим с большинством моделей мобильных телефонов, поддерживающих протокол Bluetooth®.

Так как связь по протоколу Bluetooth® осуществляется при помощи радиоволн, то у Вас нет необходимости располагать устройство громкой связи и мобильный телефон в зоне прямой видимости. Важно, чтобы оба аппарата находились в пределах 10 метров друг от друга. Таким образом, Вам не обязательно доставать Ваш мобильный телефон из кармана или из сумки, чтобы совершить звонок или ответить на вызов.

Функционирование телефонов некоторых производителей может отличаться от описанного в данной инструкции, а также некоторые функции могут быть недоступны.

## ВКЛЮЧЕНИЕ ПУЛЬТА ДИСТАНЦИОННОГО УПРАВЛЕНИЯ

Откройте крышку отсека батареи (25) и выньте защитную пленку (23). → Вставьте батарею (24), соблюдая полярность. → Закройте крышку отсека батареи (25). Теперь пульт дистанционного управления готов к работе.

### Внимание!

**Пульт дистанционного управления и устройство громкой связи устанавливают соединение по ИК каналу. При установке соединения убедитесь, что ИК передатчик(26) расположен в направлении ИК порта (25).**

## ЗАРЯДКА БАТАРЕИ

Устройство mr Handsfree Blue Vision II поставляется в комплекте с литиево-полимерной аккумуляторной батареей. Несмотря на то, что батарея поставляется заряженной, перед первым использованием ее рекомендуется дополнительно зарядить.

Подсоедините адаптер к соответствующему гнезду электропитания (9), а адаптер прикуривателя подсоедините к прикуривателю. → Когда процесс заряда начнется, индикатор заряда батареи (11) загорится красным или зеленым светом. → Если индикатор (11) загорится красным, устройство громкой связи следует заряжать до тех пор, пока подсветка индикатора (11) не сменится на зеленый. → Отсоедините адаптер от устройства громкой связи.

### Замечание:

- Вы можете пользоваться Blue Vision II в процессе зарядке.
- Устройство Blue Vision II совместимо с сетевым зарядным устройством для телефонов Nokia. Таким образом, Вы можете использовать его дома для зарядки Blue Vision II.

## ВКЛЮЧЕНИЕ И ВЫКЛЮЧЕНИЕ УСТРОЙСТВА

Чтобы включить устройство Blue Vision II, нажмите и удержите 5 секунд кнопку «Вкл/Выкл» (4), пока индикатор заряда батареи (11) не загорится зеленым светом, и Вы не услышите мелодию. → Индикатор заряда батареи (11) начнет мигать. → Чтобы выключить устройство, нажмите и удержите 5 секунд кнопку «Вкл/Выкл» (4), пока не прозвучит мелодия и не погаснет индикатор заряда батареи (11).

## УСТАНОВКА

### БЛОК ГРОМКОЙ СВЯЗИ

**На солнцезащитный козырек:** Зафиксируйте устройство на солнцезащитном козырьке при помощи специальной клипсы (с) отклоните микрофон (8) в направлении Вашего лица.

Рекомендуемое расположение штанги микрофона: штанга микрофона отклонена от основного блока устройства таким образом, чтобы микрофон был повернут точно в направлении рта.

**На приборную панель:** Зафиксируйте устройство на приборной панели автомобиля при помощи двусторонней липкой ленты и плоской металлической пластины (d), предназначенной для фиксации на приборной панели

Рекомендуется располагать устройство так, чтобы микрофон находился на расстоянии 30-50 см от лица водителя.

#### Замечание:

Во время разговора не рекомендуется изменять положение микрофона во избежание появления эффектов эха. При соблюдении этого правила Вы получите отличное качество двусторонней связи.

### ПУЛЬТ ДИСТАНЦИОННОГО УПРАВЛЕНИЯ

Для фиксации пульта дистанционного управления на приборной панели, удалите карточку для записи номеров (21) с обратной стороны пульта. После того, как карточка будет удалена, Вы сможете установить пульт дистанционного управления при помощи ленты Велкро (6). Убедитесь, что ИК передатчик (26) расположен в направлении ИК порта (12) на блоке громкой связи, и оба устройства находятся на одной линии.

## РЕГИСТРАЦИЯ

Перед использованием, Вам необходимо зарегистрировать устройство громкой связи на Вашем мобильном телефоне.

Устройство Blue Vision II может хранить информацию о регистрации на 2 разных мобильных телефонах с функцией Bluetooth®. При попытке регистрации на третьем Bluetooth® телефоне, информация о наиболее ранней регистрации будет автоматически удалена из памяти устройства.

Если Ваше устройство Blue Vision II включено и в радиусе 10 метров оказался один из зарегистрированных с ним мобильных телефонов, Blue Vision II автоматически будет совершать попытки установить соединение сначала с последним зарегистрированным телефоном. Если такого телефона обнаружить не удалось, Blue Vision II автоматически попытается установить соединение со вторым зарегистрированным телефоном. Одновременно устройство Blue Vision II может иметь только одно активное соединение.

Убедитесь, что устройство Blue Vision II и Ваш мобильный телефон включены. Нажмите и удержите на 5 секунд кнопку Регистрации (7), пока не слышите мелодию и индикатор (11) не начнет попеременно мигать зеленым и красным. Устройство находится в режиме регистрации 2 минуты (в течение этих двух минут индикатор (11) продолжает мигать). → Войдите в раздел Bluetooth® в меню Вашего телефона и убедитесь, что функция Bluetooth® активирована. → Начните поиск Bluetooth® устройств, выбрав в меню телефона соответствующий пункт. → Телефон обнаружит все активные Bluetooth® устройства, находящиеся в пределах 10 метров, и выведет их списком на дисплее. → Выберите устройство "Blue Vision II". → Введите код доступа "0000" для регистрации Blue Vision II на Вашем мобильном телефоне. → При этом индикатор (11) перестанет мигать, а в списке зарегистрированных Bluetooth® устройств Вашего телефона появится надпись «Blue Vision II».



## УСТАНОВКА СОЕДИНЕНИЯ

В некоторых случаях, устройство Blue Vision II может потерять связь с Вашим мобильным телефоном. В этом Вам необходимо восстановить соединение.

- Если устройство Blue Vision II было выключено: нажмите кнопку включения устройства и соединение будет восстановлено автоматически.
- Если мобильный телефон был выключен: включите мобильный телефон, и восстановите соединение через меню телефона.
- Если одно из устройств оказалось вне зоны действия: Расположите оба устройства в пределах 10 метров и нажмите кнопку установки соединения (7) один раз.

### Замечание:

Для всех типов мобильных телефонов рекомендуется установить режим "Trust" или "Authorized" для Blue Vision II в Bluetooth® меню Вашего телефона. Более детальную информацию Вы найдете в инструкции к Вашему мобильному телефону.

## РАЗРЫВ СОЕДИНЕНИЯ

Разрыв соединения между телефоном и устройством Blue Vision может потребоваться, например, для работы телефона с другим устройством Bluetooth®. Это можно сделать одним из следующих способов:

1. Выключите устройство Blue Vision II.
2. Разорвите связь с устройством громкой связи через меню Вашего телефона.
3. Обеспечьте расстояние между телефоном и устройством громкой связи расстояние более 10м.

## РАБОТА С УСТРОЙСТВОМ

Перед началом использования mr Handsfree Blue Vision II проверьте, что:

- Устройство Blue Vision II зарегистрировано на Вашем мобильном телефоне и между ними установлена связь.
- Функция Bluetooth® в Вашем телефоне активирована (см. инструкцию к телефону).
- Устройство Blue Vision II включено, и индикатор заряда батареи (11) мигает зеленым светом.

## СОВЕРШЕНИЕ ЗВОНКА

### Использование клавиатуры телефона

Наберите номер телефона при помощи клавиатуры. → Нажмите кнопку вызова на телефоне.

### Использование голосового набора

В режиме ожидания нажмите кнопку «Ответ»(5) или кнопку «Ответ» (14) на пульте дистанционного управления один раз. → Вы услышите звуковой сигнал. После которого Вы можете произнести имя («голосовую метку»). → Произнесите голосовую метку. → Телефон автоматически повторит голосовую метку и наберет соответствующий номер телефона.

Также Вы можете использовать голосовой набор на Вашем телефоне. Более подробно данная функция описана в инструкции к Вашему телефону. Имейте в виду, что функция голосового набора доступна только в том случае, если ее поддерживает Ваш мобильный телефон.

### Использование цифровой клавиатуры на пульте дистанционного управления

Для набора номера нажимайте цифровые кнопки на пульте дистанционного управления (для ввода символа "+", нажмите и удерживайте кнопку \*, пока не услышите подтверждающего звукового сигнала). → Нажмите кнопку «Ответ» (14) на пульте дистанционного управления для вызова набранного номера.

### Использование быстрого набора

Функция быстрого набора позволяет Вам набирать наиболее часто используемые телефонные номера нажатием одной кнопки. Нажав одну цифровую кнопку, соответствующую заданному номеру, весь номер будет набран автоматически. Устройство Blue Vision II может хранить в памяти до 10 номеров быстрого набора.

### Программирование номеров быстрого набора

Нажмите и удержите на 2 секунды кнопку "OK" (19) на пульте дистанционного управления, пока Вы не услышите двукратный звуковой сигнал. → Нажмите цифровую кнопку от "0" до "9" для определения ячейки памяти, которая будет соответствовать данному телефонному номеру. Вы услышите двукратный звуковой сигнал. → Введите телефонный номер при помощи цифровой клавиатуры. → Нажмите кнопку "OK" (19) для подтверждения или нажмите кнопку «Отмена» (15), если Вы не хотите сохранять набранный номер. Вы услышите двукратный звуковой сигнал. → Теперь введенный телефонный номер соответствует выбранному номеру быстрого набора.

#### **Замечание:**

- Вы можете записать номера телефонов, соответствующие кнопкам быстрого набора на специальной карточке для записи (21), расположенной на обратной стороне пульта дистанционного управления.
- Для изменения номера быстрого набора, проделайте описанные выше операции еще раз, и Вы замените запрограммированный номер быстрого набора на новый.

### Совершение звонка

Выберите кнопку быстрого набора, соответствующую нужному телефонному номеру. → Нажмите и удерживайте выбранную цифровую кнопку на пульте управления 2 секунды. → Вы услышите трехкратный звуковой сигнал, и соответствующий номер телефона будет автоматически набран.

### Удаление всех номеров быстрого набора

При помощи кнопки "Вкл/Выкл" (4) выключите Blue Viosion II. → Нажав и удерживая кнопку "Отмена" (6) на блоке громкой связи, нажмите и удерживайте около 1 сек кнопку "Вкл/Выкл" (4). → Вы услышите звуковой сигнал, подтверждающий, что все номера быстрого набора удалены. → Устройство Blue Viosion II теперь включено.

### **Повтор последнего набранного номера**

В режиме ожидания нажмите кнопку «Отмена» (6) или кнопку (15) на пульте дистанционного управления. → Вы услышите двукратный звуковой сигнал, и последний набранный номер будет набран автоматически.

### **Завершение вызова**

Нажмите кнопку «Отмена» (6) или кнопку «Отмена» (15) на пульте дистанционного управления, чтобы завершить разговор по мобильному телефону.

### **ОТВЕТ НА ВЫЗОВ**

Когда Вы услышите сигнал вызова, нажмите кнопку «Ответ» (5) или кнопку «Ответ» (14) на пульте дистанционного управления.

### **АВТООТВЕТ**

Если на Вашем телефоне активирована функция автоответа, то после нескольких сигналов устройство Blue Vision II автоматически примет входящий вызов.

### **ОТКЛОНЕНИЕ ВХОДЯЩЕГО ВЫЗОВА**

Если Вы не хотите отвечать на входящий звонок, Вы можете отклонить его, нажав кнопку «Отмена» (6) или кнопку «Отмена» (15) на пульте дистанционного управления.

### **ВТОРОЙ ВЫЗОВ**

При поступлении второго вызова во время разговора, Вы услышите звуковой сигнал, и Вам будет необходимо совершить одно из описанных ниже действий:

1. Нажмите кнопку «Ответ» (5) или кнопку «Ответ» (14) на пульте дистанционного управления, чтобы принять второй вызов, оставив на удержании текущий вызов. → Для переключения между вызовами нажмите кнопку «Ответ» (5) или кнопку «Ответ» (14) на пульте дистанционного управления еще раз.

2. Нажмите кнопку «Отмена» (6) или кнопку «Отмена» (15) на пульте дистанционного управления для завершения текущего разговора и ответа на входящий вызов.

#### **Замечание:**

Некоторые телефоны не поддерживают эту функцию при работе по протоколу Bluetooth® или требуют подтверждения через меню телефона.

## **РЕГУЛИРОВКА ГРОМКОСТИ ДИНАМИКА УСТРОЙСТВА ГРОМКОЙ СВЯЗИ**

При регистрации Blue Vision II на Вашем мобильном телефоне автоматически устанавливается средний уровень громкости. Нажмите кнопку «Увеличение громкости» (2 или 17) для увеличения уровня громкости или кнопку «Уменьшение громкости» (3 или 18) для уменьшения уровня громкости.

Если достигнут максимальный или минимальный уровни громкости, Вы услышите громкий звуковой сигнал.

## **ЧАСТНЫЙ РАЗГОВОР (ПЕРЕВОД ВЫЗОВА НА МОБИЛЬНЫЙ ТЕЛЕФОН С УСТРОЙСТВА ГРОМКОЙ СВЯЗИ)**

Для перевода вызова с устройства громкой связи на мобильный телефон нажмите кнопку отключения громкой связи (16) на пульте дистанционного управления. → Вы услышите двукратный звуковой сигнал, после чего вызов будет переведен на Ваш мобильный телефон. → Для обратного перевода вызова с мобильного телефона на устройство громкой связи нажмите кнопку (16) еще раз или выберите соответствующий пункт в меню Вашего телефона (в зависимости от модели телефона).

## **КОМАНДЫ DTMF**

Если во время разговора Вам нужно вызвать DTMF команду, используйте цифровую клавиатуру (20) на пульте дистанционного управления. → Нажмите кнопку «Ответ»(14) на пульте дистанционного управления для отправки DTMF команды.

## **Режим HANDSFREE / HEADSET**

Некоторые модели телефонов поддерживают Bluetooth® только в режиме Headset («Гарнитура»).

Для установки режима Headset выключите Blue Vision II. → Нажмите и удержите кнопку «Ответ» и включите устройство опять. Вы услышите мелодию. → Разорвите соединение между устройством и Вашим мобильным телефоном, как описано в разделе «Разрыв соединения». → Восстановите Bluetooth® соединение, как описано в разделе "Установка соединения". → С этого момента Blue Vision II будет работать с Вашим мобильным телефоном в режиме Headset. → Для восстановления режима Handsfree Вам следует повторить описанную процедуру еще раз.

## **ВОЗМОЖНЫЕ НЕИСПРАВНОСТИ И ИХ УСТРАНЕНИЕ**

<b>Проблема</b>	<b>Причина</b>	<b>Устранение</b>
При питании через прикуриватель устройство не работает, при этом не горит зеленый индикатор на адаптере питания от прикуривателя.	<ul style="list-style-type: none"><li>• Неисправно гнездо прикуривателя.</li><li>• Плохой контакт между адаптером питания и гнездом прикуривателя.</li></ul>	<ul style="list-style-type: none"><li>• Проверьте электропроводку автомобиля</li><li>• Проверьте наличие контакта между адаптером и гнездом прикуривателя.</li></ul>
Устройство не реагирует на нажатие в течение 5 секунд кнопки «Вкл/Выкл».	Батарея полностью разряжена.	<ul style="list-style-type: none"><li>• Подключите адаптер питания и зарядите батарею.</li><li>• Обратитесь в ближайший сервисный центр.</li></ul>

## BLUETOOTH®

Логотип и товарный знак *Bluetooth*® являются собственностью Bluetooth SIG, Inc. Легальность использования данных знаков компанией TE-Group NV подтверждается лицензионным соглашением. Другие торговые марки являются собственностью их владельцев.

### ТЕХНИЧЕСКИЕ ХАРАКТЕРИСТИКИ

Параметр	Значение
Время зарядки	< 3 часов
Напряжение адаптера прикуривателя	10 – 30В
Работа в режиме ожидания	До 300 часов
Работа в режиме разговора	До 24 часов

### УХОД И ТЕХНИЧЕСКОЕ ОБСЛУЖИВАНИЕ

Устройство громкой связи Blue Vision II разработано и изготовлено с использованием последних достижений техники и требует осторожного обращения. Следуйте приведенным ниже рекомендациям, что позволит выполнить все условия предоставления гарантии и обеспечит длительную и безотказную работу изделия.

- Оберегайте устройство и аксессуары от влаги. Влага и все виды жидкостей содержат минеральные частицы, вызывающие коррозию электронных схем.
- Не храните устройство при повышенной температуре. Это может привести к сокращению срока службы электронных устройств и вызвать деформацию или оплавление пластиковых деталей.
- Не храните устройство при низких температурах. При повышении температуры до нормальной возможна конденсация влаги внутри корпуса, что может вызвать повреждение электронных плат.
- Не пытайтесь вскрыть корпус устройства. Неквалифицированное обращение может привести к повреждению изделия.
- Не используйте для чистки устройства агрессивные химикаты, растворители и сильные моющие средства.

При нарушении нормальной работы любого из блоков устройства обратитесь ближайший специализированный сервисный центр.

***Mr Handsfree желает Вам счастливого пути!***

### СВЕДЕНИЯ О СЕРТИФИКАЦИИ

Произведено:

ТИ Групп:  
Каертсstraat 61, 2950  
Капеллен, БЕЛЬГИЯ

---

---

## ГАРАНТИЙНЫЙ СЕРТИФИКАТ

---

---

### УВАЖАЕМЫЙ ПОКУПАТЕЛЬ!

Благодарим Вас за покупку изделия торговой марки, принадлежащей компании **TE - Group**. Перед эксплуатацией внимательно ознакомьтесь с инструкцией по применению. Помните, что Ваши неправильные действия при использовании изделия могут привести к потере гарантии.

Компания **TE - Group** предоставляет полномочия по осуществлению гарантийного и сервисного обслуживания авторизованным сервисным центрам. Адреса авторизованных сервисных центров Вы можете узнать:

- **В приложении к настоящему гарантийному сертификату;**
- **По месту приобретения изделия;**
- **На сайте поддержки в сети интернет: [www.mrhandsfree.com](http://www.mrhandsfree.com)**
- **По телефону: 7 (812) 346 60 66**

Головной офис **TE - Group**:  
Kapelsestraat 61, 2950, Kapellen Belgium  
факс: 32 (3) 664 88 90

Представительство **TE - Group** в Восточной Европе:  
Россия, 197046, Санкт-Петербург,  
Александровский парк, д 5  
факс: 7 (812) 346 60 91  
e-mail: [info@te-group.ru](mailto:info@te-group.ru)

### ЗАПОЛНЯЕТСЯ ПРОДАВЦОМ

ГАРАНТИЙНЫЙ СРОК ДЛЯ ИЗДЕЛИЯ ТОРГОВОЙ МАРКИ **mr Handsfree** СОСТАВЛЯЕТ 12 МЕС.

МОДЕЛЬ

mr Handsfree Blue Vision II

СЕРИЙНЫЙ НОМЕР

--	--	--	--	--	--	--	--	--	--	--	--	--	--	--	--	--	--	--	--	--

ДАТА ПРОДАЖИ

--	--	--	--	--	--	--	--	--	--	--	--	--	--	--	--	--	--	--	--	--

ПРОДАВЕЦ

--	--	--	--	--	--	--	--	--	--	--	--	--	--	--	--	--	--	--	--	--

ТЕЛЕФОН ПРОДАВЦА

--	--	--	--	--	--	--	--	--	--	--	--	--	--	--	--	--	--	--	--	--

АДРЕС ПРОДАВЦА

--	--	--	--	--	--	--	--	--	--	--	--	--	--	--	--	--	--	--	--	--

Штамп магазина

## ЗАПОЛНЯЕТСЯ ПОКУПАТЕЛЕМ

Изделие проверялось во всех режимах в присутствии покупателя.

Покупатель

Ф.И.О.

С условиями гарантии ознакомлен

## УСЛОВИЯ ГАРАНТИИ

Гарантийный срок для изделия торговой марки mg Handsfree составляет 12 мес. со дня продажи покупателю. Гарантия действительна только при предъявлении правильно заполненного гарантийного сертификата. Данный сертификат дает право на устранение дефектов изделия в течение гарантийного срока, покрывая стоимость запасных частей и работ по ремонту изделия. На гарантийное обслуживание изделие принимается в полной комплектации с заполненным гарантийным сертификатом. Гарантийные требования должны быть предъявлены сразу после обнаружения неисправности или дефекта. Предоставляемая гарантия не обеспечивает возмещение прямых или косвенных убытков, потерь или ущерба. На комплектующие части изделия (антенны, аккумуляторы, зарядные устройства, шнуры) гарантийный срок составляет 6 месяцев.

## НАСТОЯЩАЯ ГАРАНТИЯ НЕ РАСПРОСТРАНЯЕТСЯ НА:

- расходные материалы;
- повреждения, которые лишь в незначительной степени могут повлиять на стоимость и потребительские свойства изделия;
- повреждения, вызванные отклонением питающего напряжения;
- отказы в работе, вызванные небрежным отношением к изделию;
- механические повреждения изделия;
- попадание влаги внутрь корпуса;
- загрязнения, вызванные бытовыми насекомыми;
- и другие;
- повреждения, вызванные несчастным случаем или стихийным бедствием;
- случаи, когда изделие эксплуатировалось с нарушением правил, изложенных в инструкции по эксплуатации;
- случаи, когда нарушения в работе возникают из-за электромагнитной несовместимости с несертифицированным Министерством Связи или морально устаревшим оборудованием;
- случаи, когда отказы в работе изделия вызваны неправильным вводом PIN-кодов, кодов блокировки и другими действиями, не описанными в инструкции по эксплуатации.

## ГАРАНТИЯ НЕДЕЙСТВИТЕЛЬНА В СЛЕДУЮЩИХ СЛУЧАЯХ

- при обнаружении дефектов, которые были вызваны неправильным использованием или манипуляциями посторонних лиц;
  - гарантийные требования предъявлены не в соответствии с настоящими гарантийными условиями;
  - изделие имеет следы вскрытия, в изделии установлены компоненты и дополнительные устройства, не соответствующие требованиям производителя, обслуживание или ремонт изделия выполнены в ремонтной мастерской, не имеющей соответствующих полномочий;
  - заводской номер изделия удален или изменен.
- Максимальный срок выполнения гарантийного ремонта установлен в соответствии с законом, регулирующим права потребителей.



Waste electrical products must not be disposed of with household waste. This equipment should be taken to your local recycling centre for safe treatment.

## Free Manuals Download Website

<http://myh66.com>

<http://usermanuals.us>

<http://www.somanuals.com>

<http://www.4manuals.cc>

<http://www.manual-lib.com>

<http://www.404manual.com>

<http://www.luxmanual.com>

<http://aubethermostatmanual.com>

Golf course search by state

<http://golfingnear.com>

Email search by domain

<http://emailbydomain.com>

Auto manuals search

<http://auto.somanuals.com>

TV manuals search

<http://tv.somanuals.com>