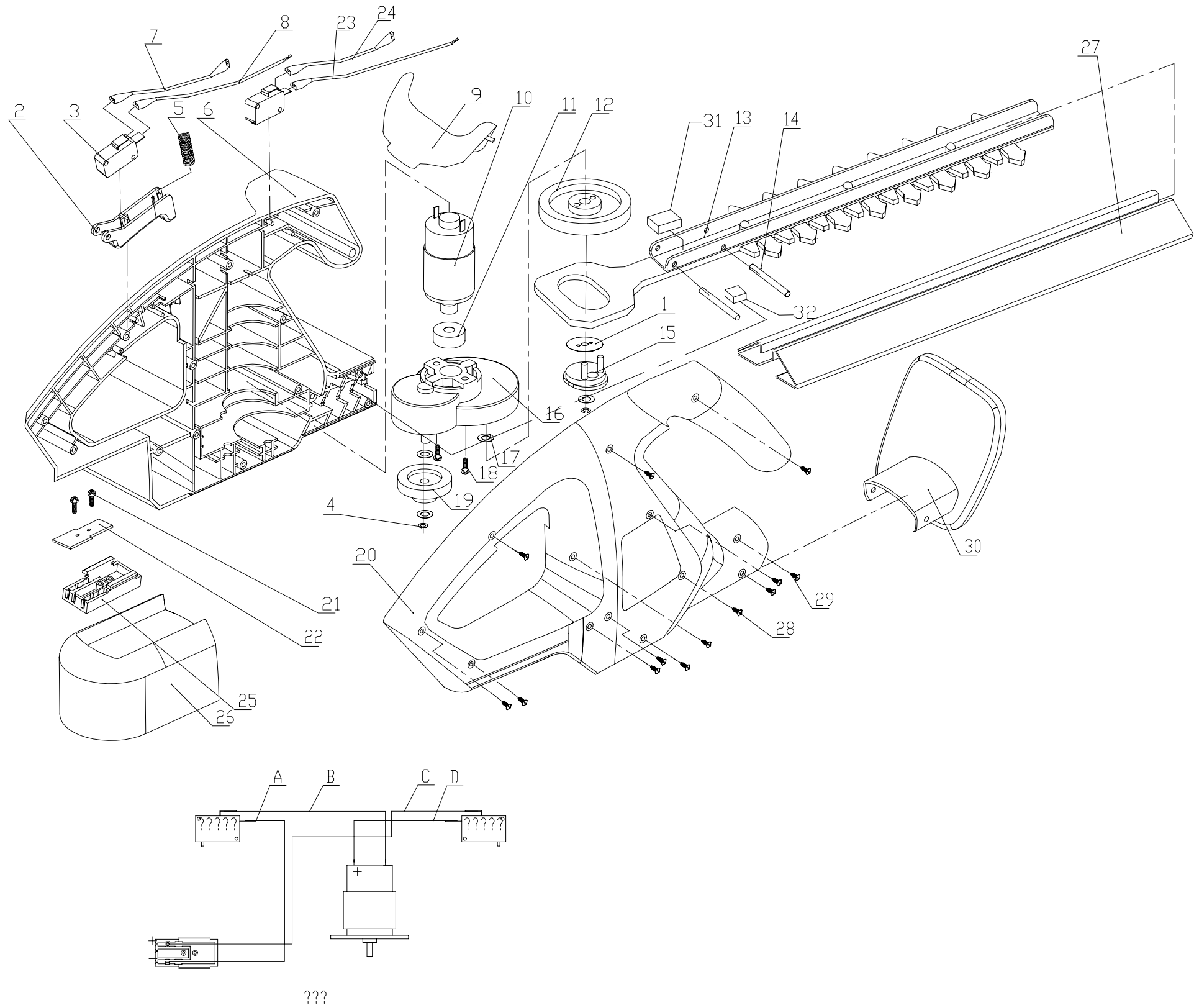


SERVICE SPARE PARTS LIST

SPECIFY MODEL NO. WHEN ORDERING PARTS		DATE	REVISED DATE
14.4V 20" Hedge Trimmer		11/18/2004	
MODEL NO.	MT969A20 / 41AG20P977	N/A	



No.	STK CODE	Parts No.	Description	Q	No.	STK CODE	Parts No.	Description	Q
1		MC-6014-969A02	WASHER	1	17		MC-6014-969901	WASHER	4
2		MC-6028-203A02	TRIGGER	1	18		MC-6SDAB-04-08	SCREW	2
3		MC-6022-969A01	SWITCH	2	19		MC-6073-969902	MIDDLE GEAR	1
4		MC-6CC-06	C RING	2	20		MC-6038-969A02	HOUSING (R)	1
5		MC-6024-203A01	SPRING	1	21		MC-6SDABB03-08	SCREW	2
6		MC-6038-969A01	HOUSING (L)	1	22		MC-6043-969A01	PLATE	1
7		MC-6010-969A04	WIRE	1	23		MC-6010-969A01	WIRE	1
8		MC-6010-969A03	WIRE	1	24		MC-6010-969A02	WIRE	1
9		MC-6028-969A01	TRIGGER	1	25		MC-6072-969A01	TERMINAL HOLDER	1
10		MC-6099-969A01	MOTOR	1	26		MC-6228-14BE02	1.9 Ah BYD BATTERY ASS'Y	1
11		MC-6073-969901	MOTOR GEAR	1	27		MC-6017-969A04	BLADE CONER	1
12		MC-6073-969903	LARGE GEAR	1	28		MC-6SDABB04-20	SCREW	12
13		MC-6250-969A03	BLADE	1	29		MC-6SEABB04-10	SCREW	2
14		MC-6115-203A01	PIN	2	30		MC-6262-203A01	COVER	1
15		MC-6040-969901	FIXED BLOCK	1	31		MC-6252-203A01	GASKET	1
16		MC-6217-969901	GEAR BOX	1	32		MC-6252-203A02	GASKET	1

Stocking Codes are:

A - Dealer stocked

B - Distributor stocked

C - Factory stocked

Free Manuals Download Website

<http://myh66.com>

<http://usermanuals.us>

<http://www.somanuals.com>

<http://www.4manuals.cc>

<http://www.manual-lib.com>

<http://www.404manual.com>

<http://www.luxmanual.com>

<http://aubethermostatmanual.com>

Golf course search by state

<http://golfingnear.com>

Email search by domain

<http://emailbydomain.com>

Auto manuals search

<http://auto.somanuals.com>

TV manuals search

<http://tv.somanuals.com>