

DIRECT VENT GAS FIREPLACES





DIRECT VENT GAS FIREPLACES

AMERICA'S FAVORITE FIRE

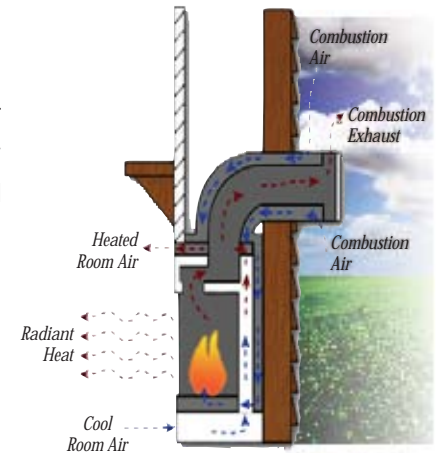
1

Lopi heating appliances are designed and hand-assembled at our state-of-the-art plant in Mukilteo, Washington. With over 25 years of experience manufacturing innovative hearth products, Lopi has gained a reputation for standing behind every single product we make. And one thing that hasn't changed through the years is the beauty of our fireplaces, along with performance you can trust and our commitment to your satisfaction.

Whether you are new to the family of Lopi heating appliances or already a part of our family, we invite you to take a look at our newest line of gas fireplaces. We know you'll find your favorite fire.

WHY CHOOSE A DIRECT VENT SYSTEM?

The American Lung Association discourages the use of ventless fireplaces for health and environmental reasons. They recommend homeowners choose only sealed, direct vent gas fireplaces to preserve indoor and outdoor air quality and to prevent by-products such as carbon monoxide, soot and nitrogen dioxide from entering your home. Sealed gas fireplaces also prevent excess moisture from building up in your house. All Lopi direct vent gas fireplaces are sealed and meet the guidelines of the American Lung Association's Health House program.



HOW DO YOU SAY LOPI?

We hear a lot of different pronunciations - Lopey...loopee...loppy!

It's actually pronounced Low-pie, and was created by our president, Kurt Rumens. The name was inspired by a love of the Northwest, a fascination with Native American culture and the nature and wildlife that live in this beautiful place. Lopi means beauty, strength and independence and has become a legend all its own.

SEVEN YEAR "REAL WORLD" WARRANTY

Lopi's "Real World Warranty" puts other manufacturers limited lifetime warranties to shame. You will have the peace of mind knowing that your gas fireplace is supported by certified factory trained installers and retailers. The firebox on Lopi gas fireplaces is covered for a **FULL 7 YEARS**. All parts and labor are covered for a **FULL 2 YEARS**. Compare our Warranty to other manufacturer's and you will find most won't tell you about their one year parts warranty or that there is no labor coverage after the first year on ANYTHING! Lopi truly offers the **BEST WARRANTY ON GAS APPLIANCES!**



"Lopi is not so much a brand name as it is a tradition - of craftsmanship in the construction of our gas fireplaces, and of pride to the families who own them. We invite you to share this proud tradition."

Kurt Rumens
President



Two Styles Of Fireplaces For Any Need

1 Portrait-Style Fireplaces

Lopi Portrait-Style gas fireplaces are a cozy and convenient way to provide warmth and the beauty of fire to rooms not normally considered for fireplaces. They're designed for corner or limited space installations in small intimate settings such as bedrooms, baths, dining rooms or kitchens. These fireplaces have the flexibility to be installed at eye level or directly on the floor. Compact and easy to install, the applications are limited only by your imagination!

Choose from two face styles, the cast iron Looking Glass in black painted or porcelain enamel or the Wilmington, in black painted or pewter plated finish. Both designs, with the many custom options, offer unlimited possibilities for your homes decor.

Model 21DV

Rated to heat up to 650 sq. ft. and delivers a Btu input on high of 16,500 Btu's/hour.

Lopi has joined with several custom cabinet manufacturers to offer one-stop solutions to easily finish your fireplace without the cost of custom finish work. Ask your Lopi dealer or visit one of the websites below for details.

J. C. Huffman Cabinetry
www.jchuffman.com

Grand Mantel
www.grandmantel.com



Pewter Wilmington face design in floor mounted cabinet



Taupe porcelain Looking Glass face design in tall corner cabinet.

2 Landscape-Style Fireplaces

Lopi landscape-style gas fireplaces are our traditional looking fireplaces and are furnace rated and ideal for both zonal heating specific area of your home or as your primary heat source.

Lopi makes two models of landscape fireplaces: the DVS (Direct Vent Small) and DVL (Direct Vent Large). Both DVS and DVL models are available in a selection of designer faces with different finishes.

As an added value, both DVS and DVL fireplaces offer standard, 130 CFM fans to aid in the circulation of heated air within your home.

Model DVS is rated to heat up to 1,500 sq. ft. and delivers a Btu input on high of 31,000 Btu's/hour

Model DVL is rated to heat up to 2,000 sq. ft. and delivers a Btu input on high of 40,000 Btu's/hour.



Discovery Face Design



Wilmington Face Design



Bedford Face Design (DVS only)



Looking Glass™ Portrait-Style Gas Fireplace

3



The Looking Glass is shown in the Oxford Brown porcelain enamel finish. Shown with optional Cast Shell Interior and pre-manufactured tall corner cabinet that has been painted to match the room decor.



Heating Capacity
Up to 650 Sq. Ft.

Steady State Efficiency
Up to 77.2% (NG) 74.5% (LP)

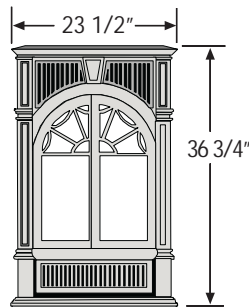


The Looking Glass above is shown in the Taupe porcelain enamel finish. Options shown are Travertine Interior, Antique Pewter Arabesque Grills, Palladian Double Doors and Pendant.

The Looking Glass™ portrait style fireplace offers you unique features and options that cannot be found in any other hearth product. This Lopi fireplace gives you another dimension of installation opportunities in virtually every room in your home. The Looking Glass is ideal for bedrooms, bathrooms, kitchens, dens, entry ways, or hallways. Customize your Looking Glass installation with the amazing one-way mirror glass, soothing Aromatherapy, or one of three firebox liners - Cast Shell, Travertine or Brick Beehive.

The Looking Glass fireplace is available in your choice of New Iron paint finish, and Oxford Brown or Taupe porcelain enamel finishes. This allows you the opportunity to match the decor you already have, or one you want to design around. Recognized for innovation by hearth industry experts with the VESTA®* award for the year's best new gas fireplace.

*The VESTA award is given by the Hearth, Patio and Barbecue Association.



Add the optional Aromatherapy Tray and Essential Oils. Aromatherapy oil soothes the spirit, invigorates the mind and relaxes the body.

Glass Area: 293 sq. in.

Maximum Input Btu's/Hr
16,500 (NG & LP)

Minimum Output Btu's/Hr
10,500 (NG) 9,380 (LP)



5



Customize the Looking Glass™ Gas Fireplace



- Hidden Aromatherapy compartment. Aromatherapy soothes the spirit, invigorates the mind and relaxes the body.
- Exquisite CAST IRON FACE features early-American architectural detailing and beaded fretwork standard on the convection air grills. Shown here with optional grills with classic floral Arabesque design, finished in antique pewter.
- Optional Palladian doors in New Iron paint finish, and Taupe or Oxford Brown porcelain enamel finish.
- THREE UNIQUE INTERIOR DESIGNS: Choose the standard black interior liner or upgrade to Cast Shell, Travertine Stone or Beehive Brick (see page 9).
- Realistic patented EMBER-FYRE™ burner. Popular Science® Magazine awarded the prestigious "Best of What's New" for this highly efficient and incredible wood-like gas burning technology.
- Optional cast iron pendant adds beauty and 3" to the height of the face.

- Unique "Portrait" vertical fireplace.
- Top vent and rear vent models for more installation options.
- Huge 440 sq. in. vertical ceramic glass panel for fire viewing.
- Designed for corner or flush to the wall installations that require a small footprint: Top Vent Model is 15" only deep and the Rear Vent Model is only 12 5/8" Deep.
- Ideal for bedrooms, baths, kitchens, dens and entry ways.
- Standard 90 CFM Fan for additional heat circulation.
- Wall Thermostat and Remote Control Thermostat options allow for hands-free operation.

Aromatherapy And Essential Oil Option

Your gas portrait-style fireplace will not only warm your home, but **only Lopi fireplaces offer you the option to add Aromatherapy**. The heat of the fire slowly releases the essential oil scents from the hidden Aromatherapy tray into the room to soothe, relax and energize you.



On Cloud Nine - Lavender oil to calm and relieve stress. It can also help you sleep.

Somebody Wake Up Edna - is made with Eucalyptus oil to stimulate and energize. It improves mood as well as memory.

Ylang Ylang will excite the senses with a sensual, intoxicating fragrance that is perfect for romance.

Optional panel of high temperature ONE-WAY MIRROR allows this product to transform from an exquisite fireplace to an enchanting mirror.



Wilmington™ Gas Portrait-Style Fireplace

7



The Wilmington is shown in pewter plated finish. Shown with Travertine Stone Interior and Aromatherapy Tray options.

Heating Capacity
Up to 650 Sq. Ft.

Steady State Efficiency
Up to 77.2% (NG) 74.5% (LP)



The Wilmington fireplace above is shown Pewter finish with the optional Pewter Arabesque Grills.

The Wilmington face design can enhance a wide range of looks and home designs. Available in black paint finish or beautiful pewter nickel finish with finely raised detail, the Wilmington face finds itself at home in both traditional and contemporary homes.

The optional Pewter Arabesque grills are available to change the look even further. Switch between standard vertical grills which ship with the face or the optional Pewter Arabesque grills depending on your home decorating style.

Don't forget to add one of the beautiful liners or the Armatherapy tray option to your Wilmington portrait-style fireplace.



Black Wilmington face comes standard with vertical bar grills.

or



Black Wilmington face with Arabesque pewter grills installed.



Pewter Wilmington face comes standard with Pewter vertical bar grills.

or



Pewter Wilmington face with Pewter Arabesque grills installed.

Maximum Input Btu's/Hr
16,500 (NG & LP)

Minimum Output Btu's/Hr
10,500 (NG) 9,380 (LP)



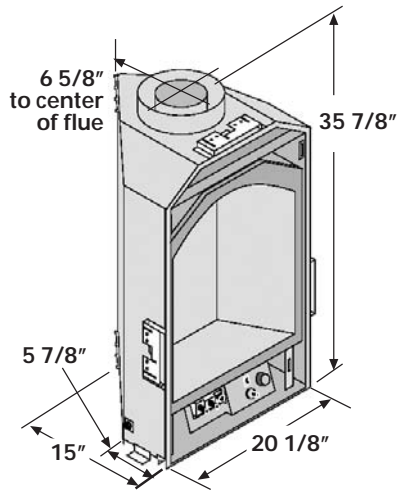
Portrait-Style Installation Specifications

Please refer to the Owner's Manual for all installation information. Owner's Manuals can be downloaded from the Lopi website under the specific product - www.lopifire.com.

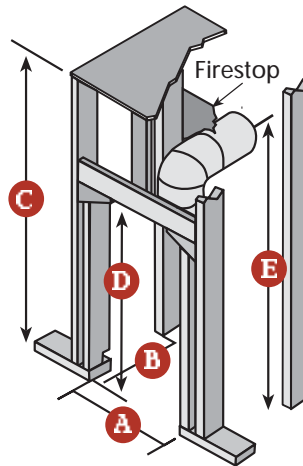
Two Fireplaces To Choose From:

9

1 Top Vented 21 DV



Minimum Framing Dimensions

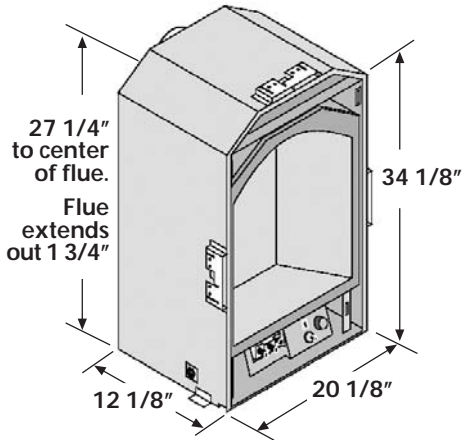


Top Vented

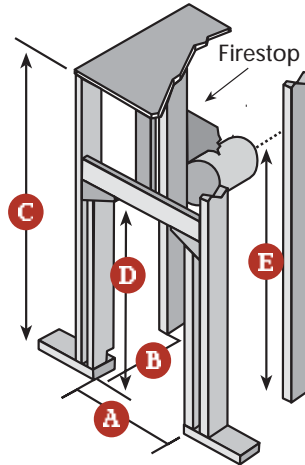
- A = 20 1/4"
 - B = 15 1/2"
 - C = 48" Minimum
 - D = 36"
 - E = 41 3/4"
- with elbow off top

Vent requires 1" clearance to sides and below and 3" above.

2 Rear Vented 21 DV



Minimum Framing Dimensions



Rear Vented

- A = 20 1/4"
- B = 12 3/4"
- C = 34 1/4" Minimum
- D = 34 1/4"
- E = 27 1/4"

Vent requires 1/2" clearance in front, 0" to sides, 1" below and 2" above.

Portrait-Style Fireplace Options

Liners - Besides the standard black interior, both the Looking Glass and Wilmington portrait-style fireplaces have the ability to upgrade the interior look with the choice of distinctive decorative liners.

Wall Thermostat & Remote Control

- Complete your fireplace installation with your choice of either a Wall Thermostat or Remote Control. The remote control offers you the choice of simple ON/OFF, room temperature thermostat, timed automatic shut-off and child proof features.



Tumbled Travertine Stone



Brick Beehive



Cast Iron Almond Shell



Wall Thermostat



Remote Control

BEDFORD™ LANDSCAPE-STYLE FIREPLACE

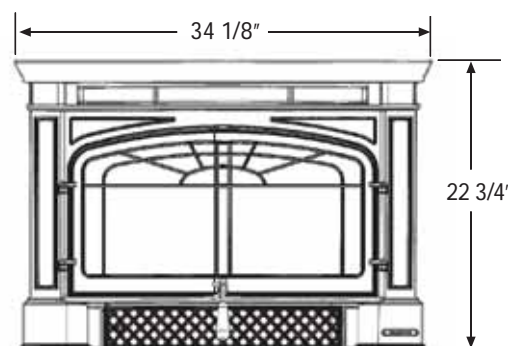


10



Bedford DVS fireplace shown with the optional Brick Fireback

Looking for a fireplace that reflects the charm and beauty of classic Early American architecture? Then look no further than the Bedford gas fireplace. Made from real cast iron, the Bedford features the traditional look of a cast iron fireplace merged with amazing performance of the latest heating technology. This lovely fireplace takes the performance of a modern fireplace and adds the heat benefit of radiant cast iron surfaces. The Bedford features large opening double doors for a real wood burning fireplace look and comes with beautifully detailed cast iron design elements. The Bedford cast iron fireplace face is only available for the DVS fireplace.





Wilmington™ Landscape-Style Fireplaces

11

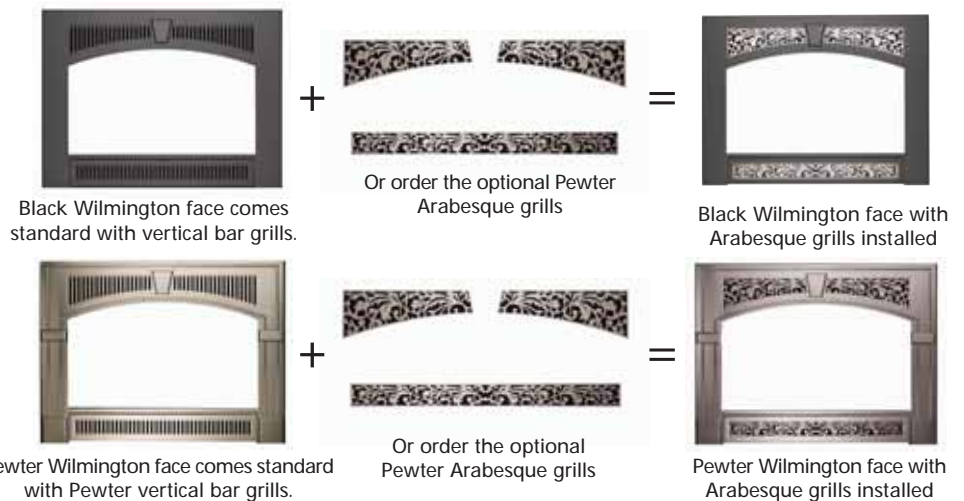




The DVS fireplace above is shown with the black painted Wilmington face.

The Wilmington face design can enhance a wide range of looks and home designs. Available in black paint finish or beautiful pewter nickel finish with finely raised detail, the Wilmington face finds itself at home in both traditional and contemporary homes.

You have two beautiful Wilmington faces to choose from - the Wilmington Black and the Wilmington Pewter. Pewter arabesque grills are available to customize the look even further. Choose between the standard vertical grills or the optional pewter Arabesque grills depending on your home decorating style.



The DVL fireplace is shown with Wilmington pewter plated face and with the weathered brick fireback option.



Discovery™ Landscape-Style Fireplaces

13



The DVS fireplace is shown with the Discovery face with the optional antique gold plated door and weathered brick fireback.



The DVL fireplace above is shown with the optional pewter door.



Black Painted Door



Antique Gold Plated Door



Pewter Plated Door

Turn your fireplace into the focal point of your home. Enjoy the warmth as flames leap above the glowing logset. The Patented Ember-Fyre™ burner and efficient two-stage heat exchange system makes both DVS and DVL fireplaces ideal for zonal heating a room or two or as the primary heat source in your home.

The Discovery's outstanding flush-to-the-fireplace face design features an arched framed window in your choice of black paint, 24 karat antique gold or pewter plated surfaces. Beautiful curved side columns and a finely detailed mantle-like details will make this fireplace a striking addition to your home that compliments any decor.



Landscape-Style DVS & DVL Fireplaces

15

Lopi manufactures two different sizes of landscape-style fireplaces to meet virtually every heating need. With a selection of black painted, antique gold and pewter plated faces, Lopi has the style and design to match any decor.

Now install your fireplaces in one day. Lopi has joined with J. C. Huffman™, Hearth Classics™ and Grand Mantle™ to provide easy, one-stop solutions to make your fireplace installation quick and easy. You select from the highest quality gas fireplaces, tile or stone hearth products, and custom wood mantle - all designed to work in perfect harmony. For more information visit the following sites:

- www.jchuffman.com
- www.hearthclassics.com
- www.grandmantel.com



DVS and DVL Fireplace Options



Herringbone Brick



Weathered Brick

Reversible Fireback

All gas inserts feature the option of adding a realistic ceramic brick fireback that looks like real masonry brick. The firebacks are reversible and offer you the choice of straight common brick or herringbone brick patterns.

Wall Thermostat & Remote Controls

Complete your fireplace installation with your choice of either a Wall Thermostat or Remote Control. The remote control offers you the choice of simple ON/OFF, room temperature thermostat, timed automatic shut-off and child proof features.



Wall Thermostat

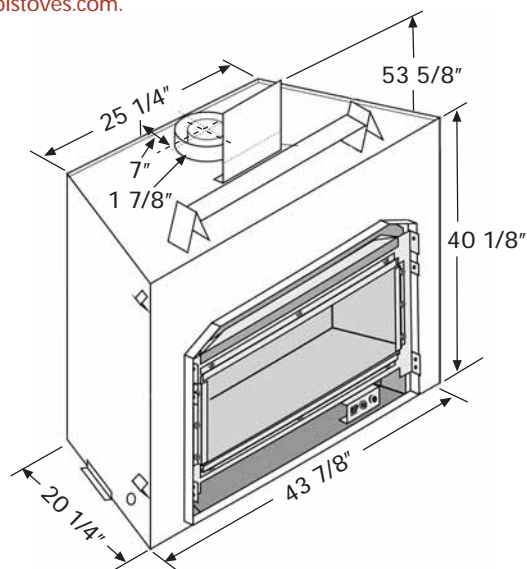
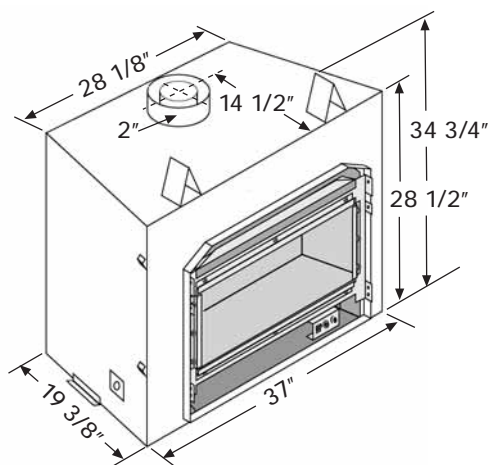


Remote Control



Landscape-Style DVS and DVL Fireplace Installation Specifications

Please refer to the Owner's Manual for all installation information. Owner's Manuals can be downloaded from the Lopi website under the specific product - www.lopistoves.com.



1 DVS-Direct Vent Small

- Heating Capacity:***
Up to 1,500 Sq. Ft.
- Maximum Btu/Hour Input:****
31,000 (NG/LP)
- Minimum Btu/Hour Output:**
18,600 (NG) 16,000 (LP)
- Steady State Efficiency:** (with blowers on)**
80% (NG) 80.5% (LP)
- AFUE:**
71.3% (NG) 71.8% (LP)
- Flue Diameter:**
6 5/8"
- Powerful Convection Fan:**
130 CFM - Included with fireplace
- Glass Area:**
24 3/4" w x 12 3/4" H - 316" sq. in.

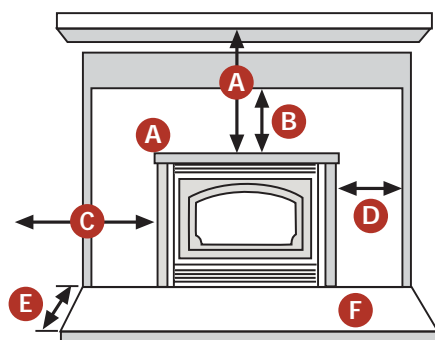
2 DVL-Direct Vent Large

- Heating Capacity:***
Up to 2,000 Sq. Ft.
- Maximum Btu/Hour Input:****
40,000 (NG/LP)
- Minimum Btu/Hour Output:**
17,250 (NG), 20,600 (LP)
- Steady State Efficiency:** (with blowers on)**
82% (NG and LP)
- AFUE:**
68% (NG and LP)
- Flue Diameter:**
8"
- Powerful Fan:**
130 CFM - Included with fireplace
- Glass Area:**
29" w x 17" H - 493" sq. in.

* Heating Capacity will vary with floor plan, insulation, and outside temperature.

** Efficiency rating is a product of thermal efficiency determined under continuous operation independent of installed system.

Clearances To Combustibles



1 DVS

- A = Face to Mantle 17"
- B = Face to Top Facing 12"
- C = Faceplate to Sidewall 6"
- D = Faceplate to Side Facing 6"
- E = Hearth Extension 12"
- F = Hearth Width 29 7/8" to 33 1/8"

* Measured from the top of face.
** Face widths vary between designs

2 DVL

- A = Face to Mantle* 15" to 26"
- B = Face to Top Facing 12" to 19 1/2"
- C = Faceplate to Sidewall 6"
- D = Faceplate to Side Facing 6"
- E = Hearth Extension 12"
- F = Hearth Width 32 3/4" to 37 5/8"

* Measured from the top of face. Varies with mantle depth
** Not required if raised 3".

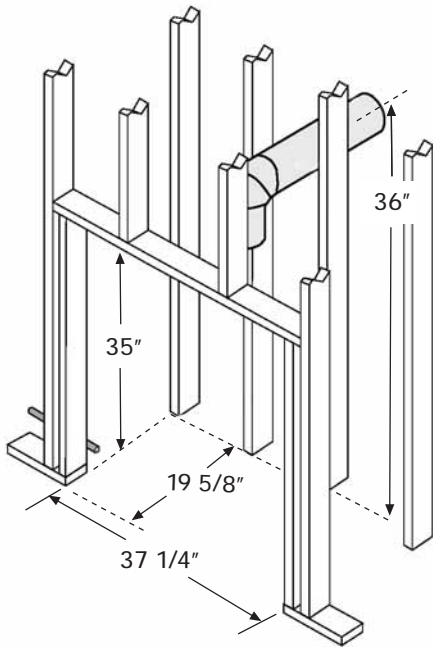


Landscape-Style DVS and DVL Fireplace Framing Specifications

Please refer to the Owner's Manual for all installation information. Owner's Manuals can be downloaded from the Lopi website under the specific product - www.lopistoves.com.

17

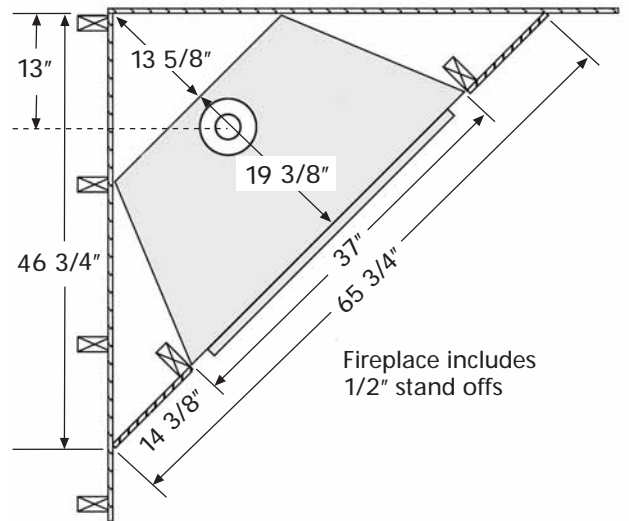
1 DVS - Direct Vent Small



When using an elbow off the top of the unit the fireplace, allow for a 2" clearance above the vent and 1" to the sides and bottom.

When venting to the rear, allow a min. 8 5/8" gap centered behind the fireplace for the vent and wall thimble.

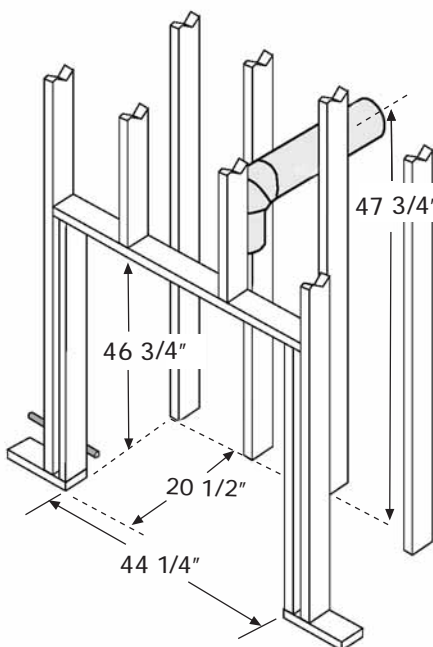
Corner Installations



Hearth Requirements:

A non-combustible hearth is required. Non-combustible hearth must be a minimum of 29 7/8" to 33 1/8" wide (depending on face) x 12" deep and a minimum of 1 1/4" thick.

2 DVL - Direct Vent Large

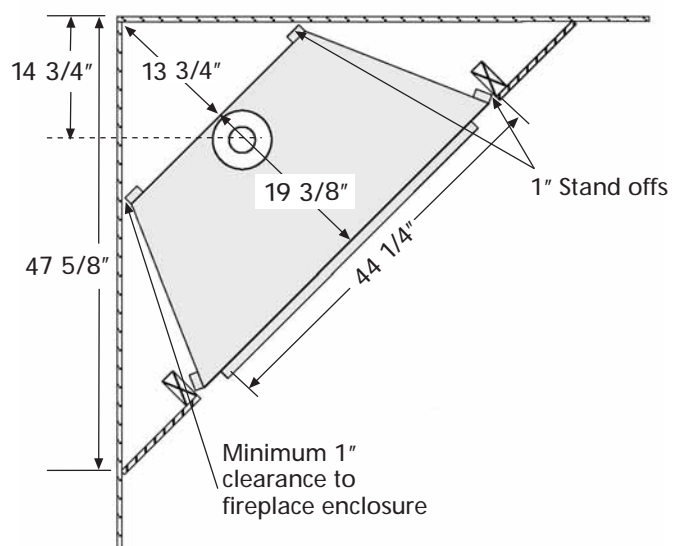


The fireplace enclosure must not be less than 54 3/4" above the base of the fireplace

When using an elbow off the top of the unit the fireplace, allow for a 3" clearance above the vent and 1" to the sides and bottom.

When venting to the rear, allow a min. 10" gap centered behind the fireplace for the vent and wall thimble.

Corner Installations



Hearth Requirements:

A non-combustible hearth is required. Non-combustible hearth must be a minimum of 32 3/4" to 37 5/8" wide (depending on face) x 12" deep and a minimum of 3/4" thick. When fireplace is raised a minimum of 3" off of the floor surface, no hearth is required.

IS IT A WOOD OR GAS FIRE?



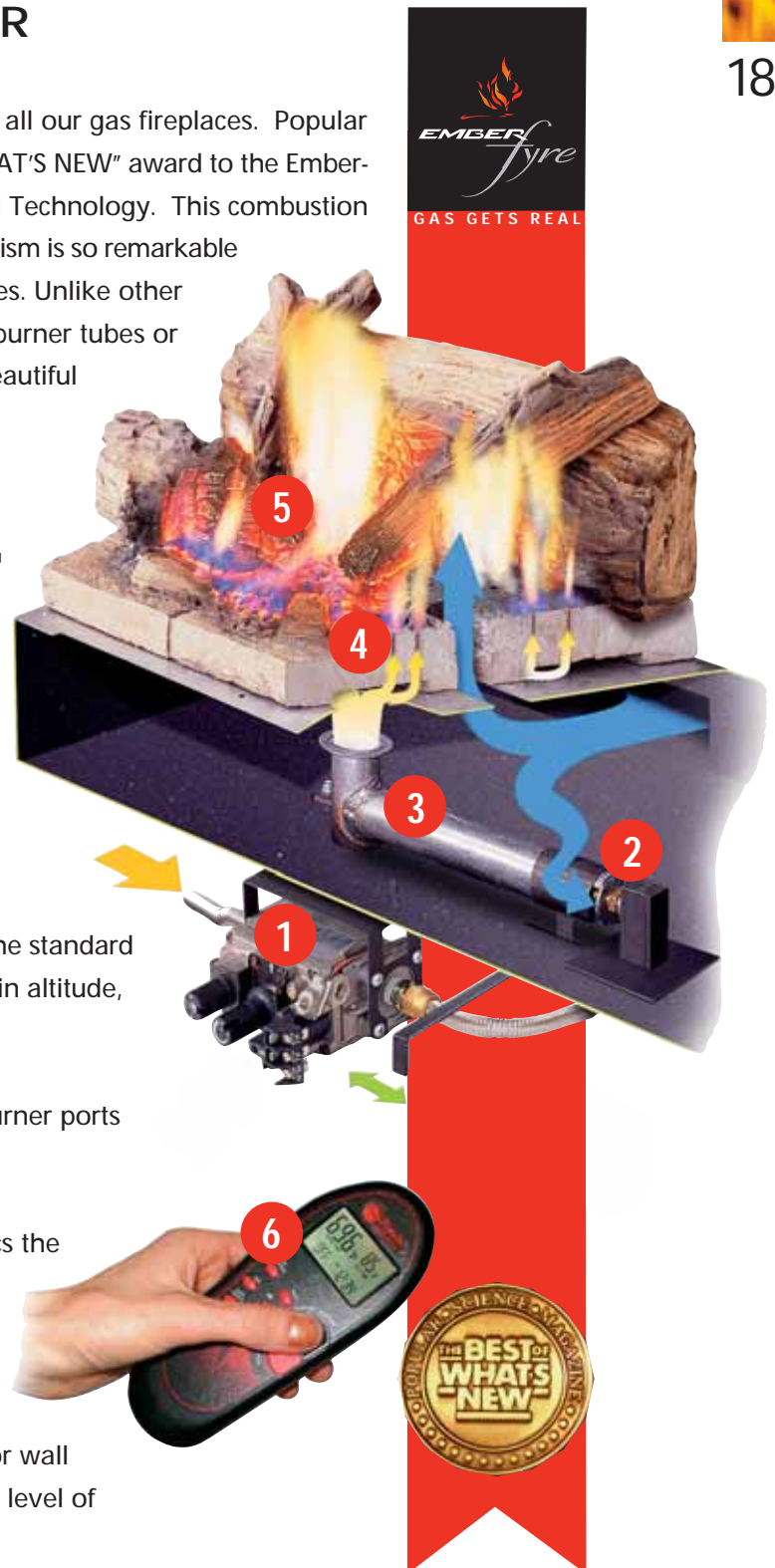
PATENTED EMBER-FIRE™ BURNER

U. S. Patented # 6,602,068, 6,443,726 and other patents pending

Lopi features the patented Ember-Fyre™ burner system in all our gas fireplaces. Popular Science® magazine awarded the prestigious “BEST OF WHAT’S NEW” award to the Ember-Fyre as one of the year’s top achievements in Science and Technology. This combustion system delivers an efficiency of up to 86%. The level of realism is so remarkable it is difficult to tell apart from our wood burning appliances. Unlike other gas burners, the pilot is hidden. There are no unsightly burner tubes or metal pans and the fire and glowing embers are just as beautiful on the low flame setting as they are on high.

HOW IT WORKS:

1. Natural gas or propane is piped to a sophisticated SIT™ gas valve and started with the reliable Pizeo ignition system. This gas burner is designed to provide reliable, continuous operation even if the power goes out in your home.
2. The low-pressure gas then flows to a precisely engineered burner orifice.
3. A hidden mixing tube mixes the gas with outside air. (The standard mix is set by the installer to compensate for variations in altitude, fuel type, and line pressure).
4. The gas/air mixture flows through a unique array of burner ports in the ceramic base, where it ignites and burns.
5. As the Ember-Fyre heats to a deep red 1200°F, it mimics the look of glowing wood embers and charred logs. Dancing yellow flames further enhance the look and feel of a real wood fire.
6. For hands-free operation the optional remote control or wall thermostat allows you to set and maintain the comfort level of your home.





Only the most professional specialty hearth retailers are selected to sell Lopi stoves, inserts and fireplaces. They represent our total commitment to exceptional products and excellent service. In addition, they have successfully completed special training programs in the proper selection, installation and service of all Lopi products.

Your professional Lopi hearth dealers are experts who can advise you on everything from customizing the color of your appliance to selecting appropriate venting and chimney materials. They can show you Lopi models on display, including working models actually burning.



Lopi also produces a wide variety of quality wood, pellet and gas stoves and inserts .
Ask your dealer for details

Find your favorite fire today by visiting www.lopifire.com



Lopi products are made
in the U. S. A. with pride.



Your Lopi Authorized Dealer:

Lopi reserves the right to alter or improve its products at any time without notification.

Ember-Fyre™ is a registered trademark of Travis Industries, Inc. All other trademarks also belong to Travis Industries

© 2006 T. I.

Images are for descriptive purposes only. Printed in U.S.A.
Download from www.Somanuals.com. All Manuals Search And Download.

98800236

Free Manuals Download Website

<http://myh66.com>

<http://usermanuals.us>

<http://www.somanuals.com>

<http://www.4manuals.cc>

<http://www.manual-lib.com>

<http://www.404manual.com>

<http://www.luxmanual.com>

<http://aubethermostatmanual.com>

Golf course search by state

<http://golfingnear.com>

Email search by domain

<http://emailbydomain.com>

Auto manuals search

<http://auto.somanuals.com>

TV manuals search

<http://tv.somanuals.com>